

C 340

**STEREO
INTEGRATED
AMPLIFIER**

SERVICE MANUAL

C 340

**STEREO
INTEGRATED
AMPLIFIER**

NAD

SERVICE SAFETY PRECAUTIONS

1. Replacing the fuses

CAUTION: FOR CONTINUED PROTECTION AGAINST THE RISK OF FIRE
REPLACE ONLY WITH SAME TYPE OF FUSE.

Reference No.	Part No.	Description
F901*AH	252163	4A-125V UL/T-237 Time lag
F901*B1, B, C	252074	T2A L/250V SE-EAK Time lag

NOTE:

<*AH> : U.S.A. CANADIAN MODEL ONLY. <*B1> : AUSTRALIAN MODEL ONLY.
<*C> : EUROPEAN MODEL ONLY. <*B> : U.K. MODEL ONLY.

2. SAFETY CHECK OUT

(Only U.S.A. model)

Before returning the product to the customer, make leakage current or resistance measurements to determine that exposed parts are acceptably insulated from the supply circuit.

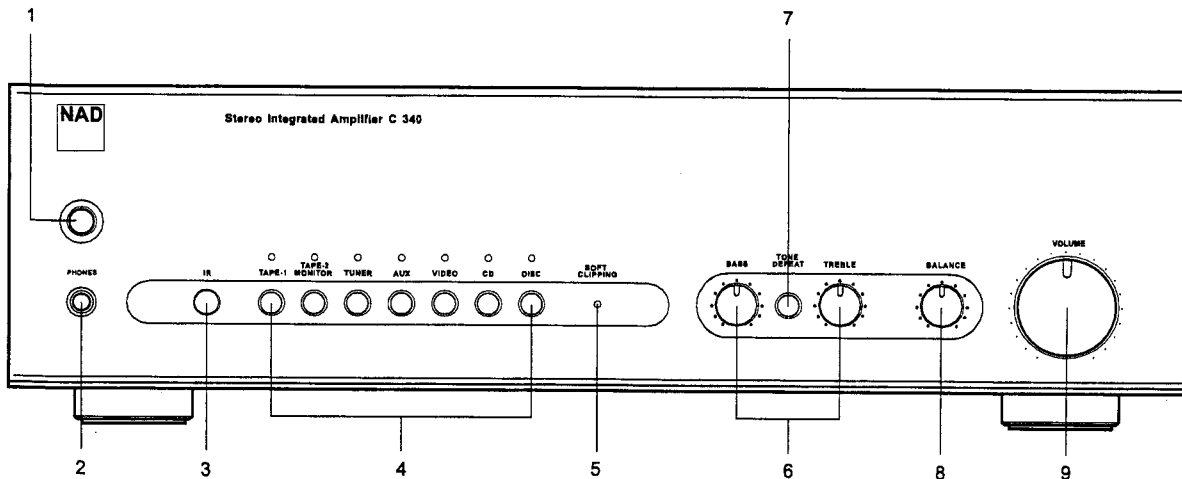
Parts marked with the symbol \triangle are critical with regard to the risk of fire and electric shock. Replace only with parts recommended by the manufacturer.

CONTENTS

DESCRIPTION	PAGE
SERVICE SAFETY PRECAUTIONS -----	2
FRONT PANEL / REAR PANEL VIEW -----	3
SPECIFICATIONS -----	4
ALIGNMENT PROCEDURE -----	5
WIRING DIAGRAM -----	6
BLOCK DIAGRAM -----	7
MICROPROCESSOR CONNECTION DIAGRAM -----	8
SCHEMATIC DIAGRAM -----	9-10
PCB LAYOUT -----	11-12
IC BLOCK DIAGRAM -----	13
EXPLODED VIEW -----	14
EXPLODED VIEW PARTS LIST -----	15-16
ELECTRICAL PARTS LIST -----	17-18
PACKING DIAGRAM / PARTS LIST -----	19

WARNING: TO PREVENT FIRE OR ELECTRIC SHOCK, DO NOT EXPOSE THIS APPLIANCE TO RAIN OR MOISTURE.

FRONT PANEL CONTROLS



- | | | |
|---|----------------------------|----------------|
| 1. POWER ON/OFF | 4. INPUT SELECTORS | 7. TONE DEFEAT |
| 2. HEADPHONE SOCKET | 5. SOFT CLIPPING INDICATOR | 8. BALANCE |
| 3. INFRA-RED REMOTE CONTROL
COMMAND RECEIVER | 6. BASS & TREBLE CONTROLS | 9. VOLUME |

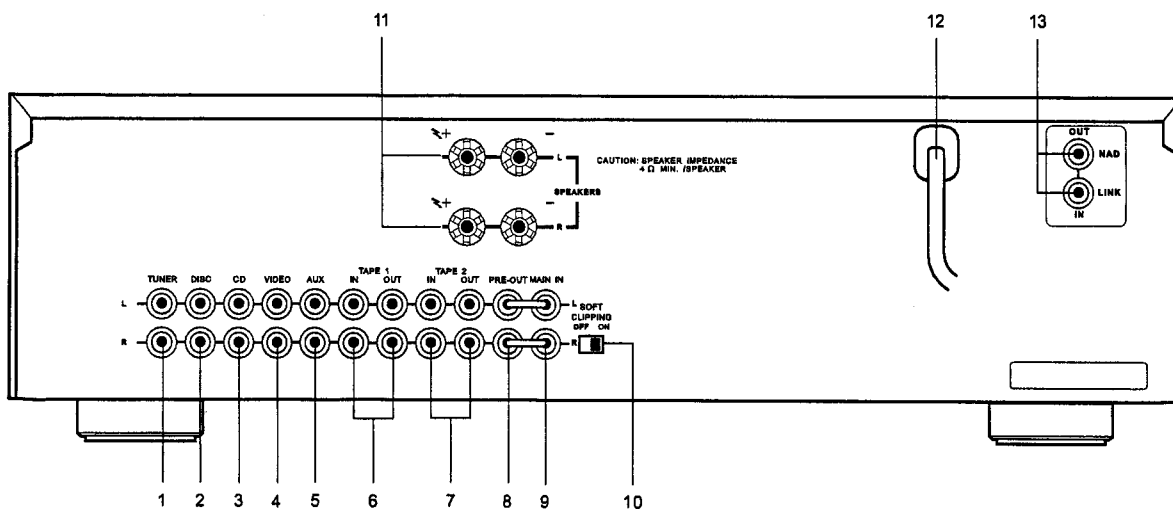


The lightning flash with arrowhead, within an equilateral triangle is intended to alert the user of the presence of uninsulated "dangerous voltage" within the product's enclosure; that may be of sufficient magnitude to constitute a risk of electric shock to persons.



The exclamation point within an equilateral triangle is intended to alert the user of the presence of important operating and maintenance (servicing) instructions in the literature accompanying the appliance.

REAR PANEL CONNECTIONS



- | | | | |
|----------------|-------------------|-------------------|----------------------|
| 1. TUNER INPUT | 4. VIDEO INPUT | 7. TAPE 2 IN, OUT | 10. SOFT CLIPPING |
| 2. DISC INPUT | 5. AUX INPUT | 8. PRE OUT | 11. SPEAKERS |
| 3. CD INPUT | 6. TAPE 1 IN, OUT | 9. MAIN IN | 12. AC LINE CORD |
| | | | 13. NAD LINK IN, OUT |

SPECIFICATIONS

Test conditions

1. Power Supply Voltage & Frequency

AH Type ----- 120V / 60Hz

C,B,B1 Type ----- 230V / 50Hz

2. Load Resistance

Speaker Terminal ----- 8 ohms / 4 ohms

Other Terminal ----- 47k ohms

3. Temperature & Humidity

Temperature ----- 5 ~ 35 °C

Humidity ----- 45 ~ 85 % RH

4. Standard Measurement Point (S.M.P.)

SPK ----- Front Speaker Terminal L/R ch

Note: B/B1 type measurement is the same as C type unless otherwise noted.

Measurement Item

Max. Power 20Hz / 1kHz / 20kHz

≧ 50 W

Both Channel Driven

8 Ω Load

Max. Power 20Hz / 1kHz / 20kHz

≧ 50 W

Both Channel Driven

4 Ω Load

Line T.H.D. 20Hz / 1kHz / 20kHz - 28.5dBV

≦ 0.1%

Line Separation 100Hz - 17dBV

≧ 55.0 dB The Reverse Channel

10kHz - 17dBV

≧ 35.0 dB Terminated with 5.1kohm

Hum & Noise CD

No Signal

≧ -55.0 dBV Terminated With 5.1kohm

Volume: Min.

≧ -60.0 dBV (IHF-C)

Bass Min. 100Hz

-10dBV Vol: Mech.Center

- 6.0 ± 1.5 dB

Bass / Min.

Bass Max. 100Hz

-10dBV Vol: Mech.Center

+ 6.0 ± 1.5 dB

Bass / Max.

Treble Max. 10kHz

-10dBV Vol: Mech.Center

+ 6.0 ± 1.5 dB

Treble / Max.

Treble Min 10kHz

-10dBV Vol: Mech.Center

- 7.5 ± 1.5 dB

Treble / Min.

Available Remote Control Unit

RC-450

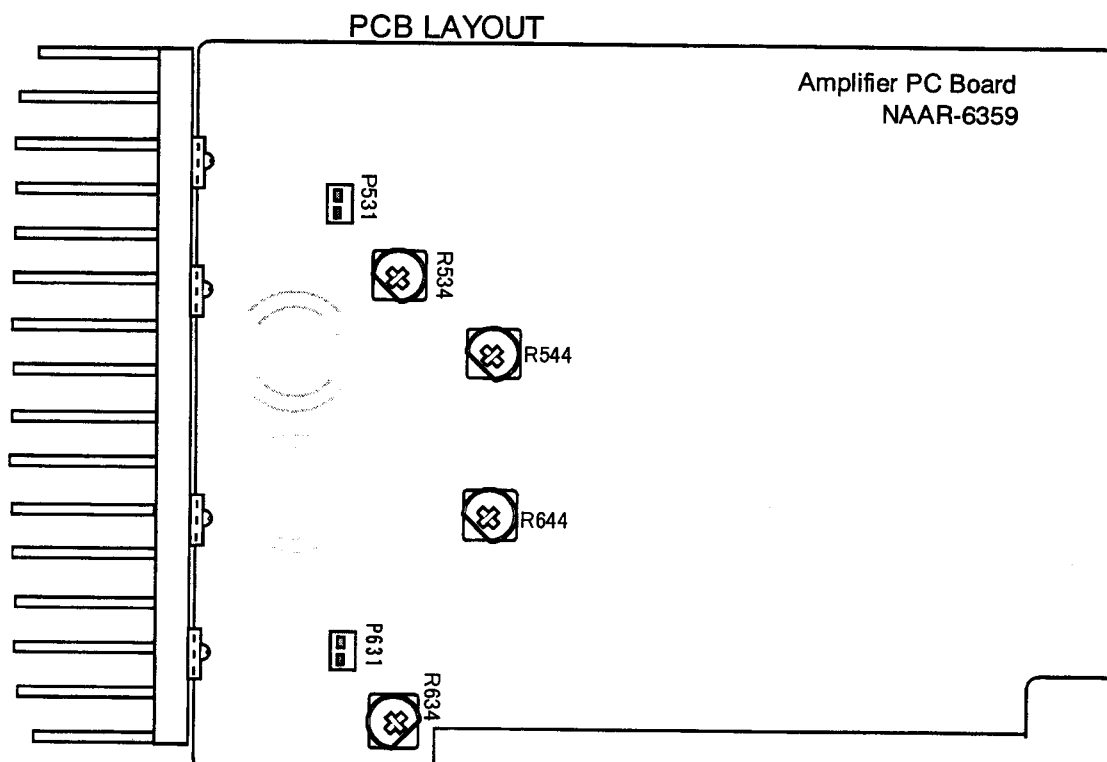
ALIGNMENT PROCEDURE

1. Idle Current

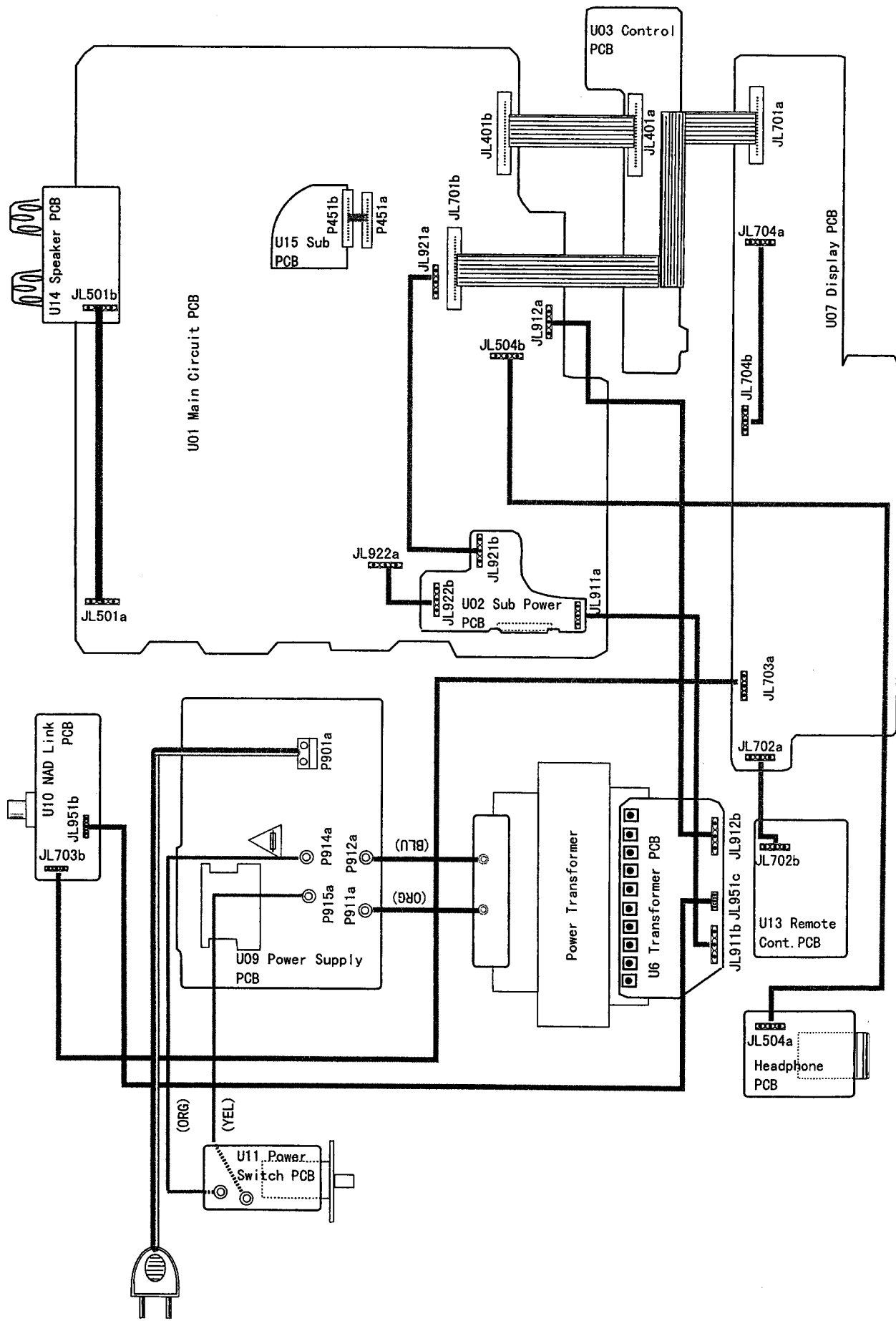
- a. By adjusting R534 and R634, set the voltage between test points P531 and P631 to $6.0\text{mV} \pm 1.0\text{mV}$ immediately after the power is switched on.
- b. After 4 ~ 6 minutes with the power on, readjust R534 and R634 to $5.0\text{mV} \pm 1.0\text{mV}$.

2. Offset Voltage

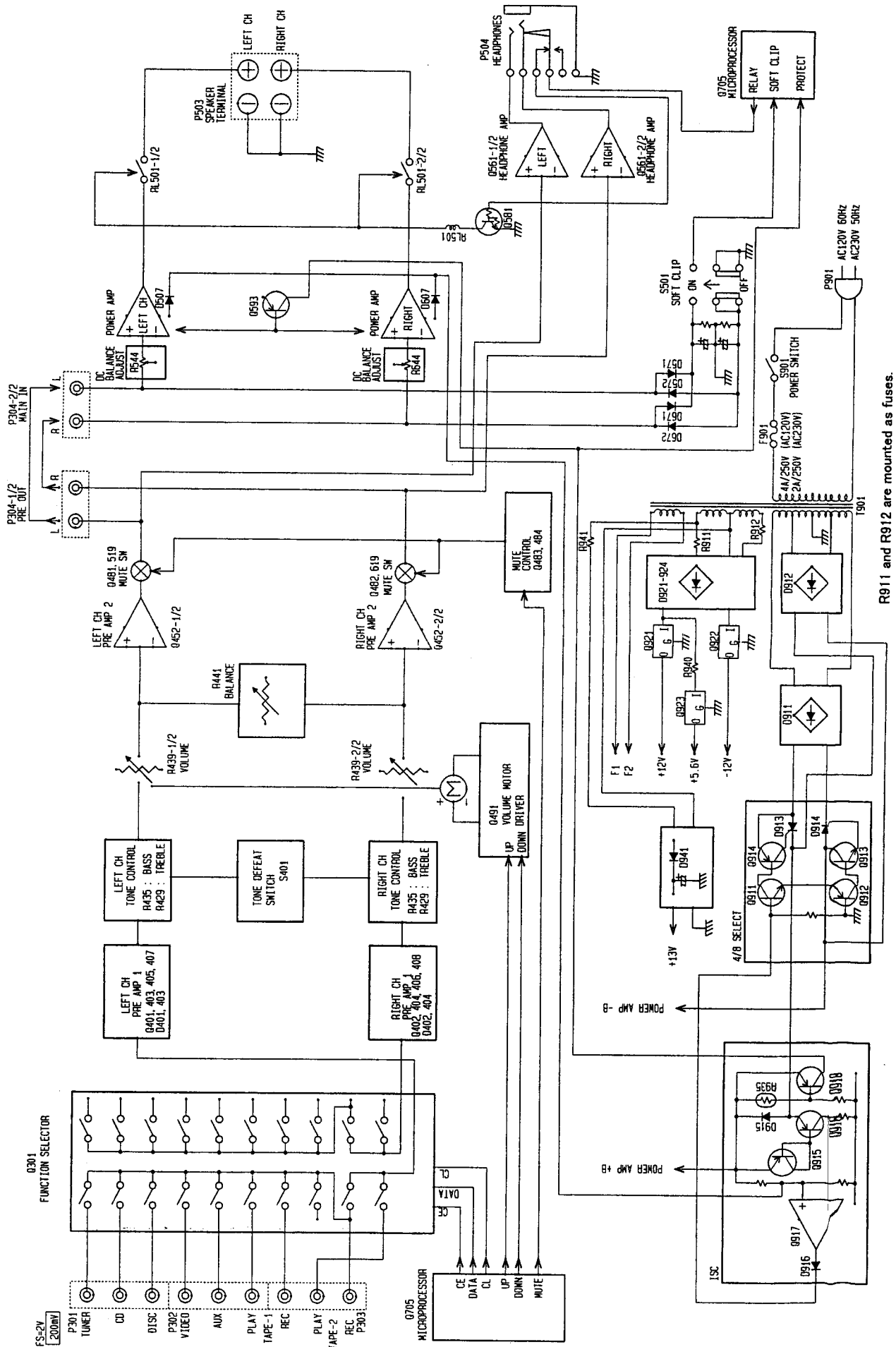
- a. After 4 ~ 6 minutes with the power on, adjust R544 and R644 to $0\text{mV} \pm 20\text{mV}$.



WIRING DIAGRAM

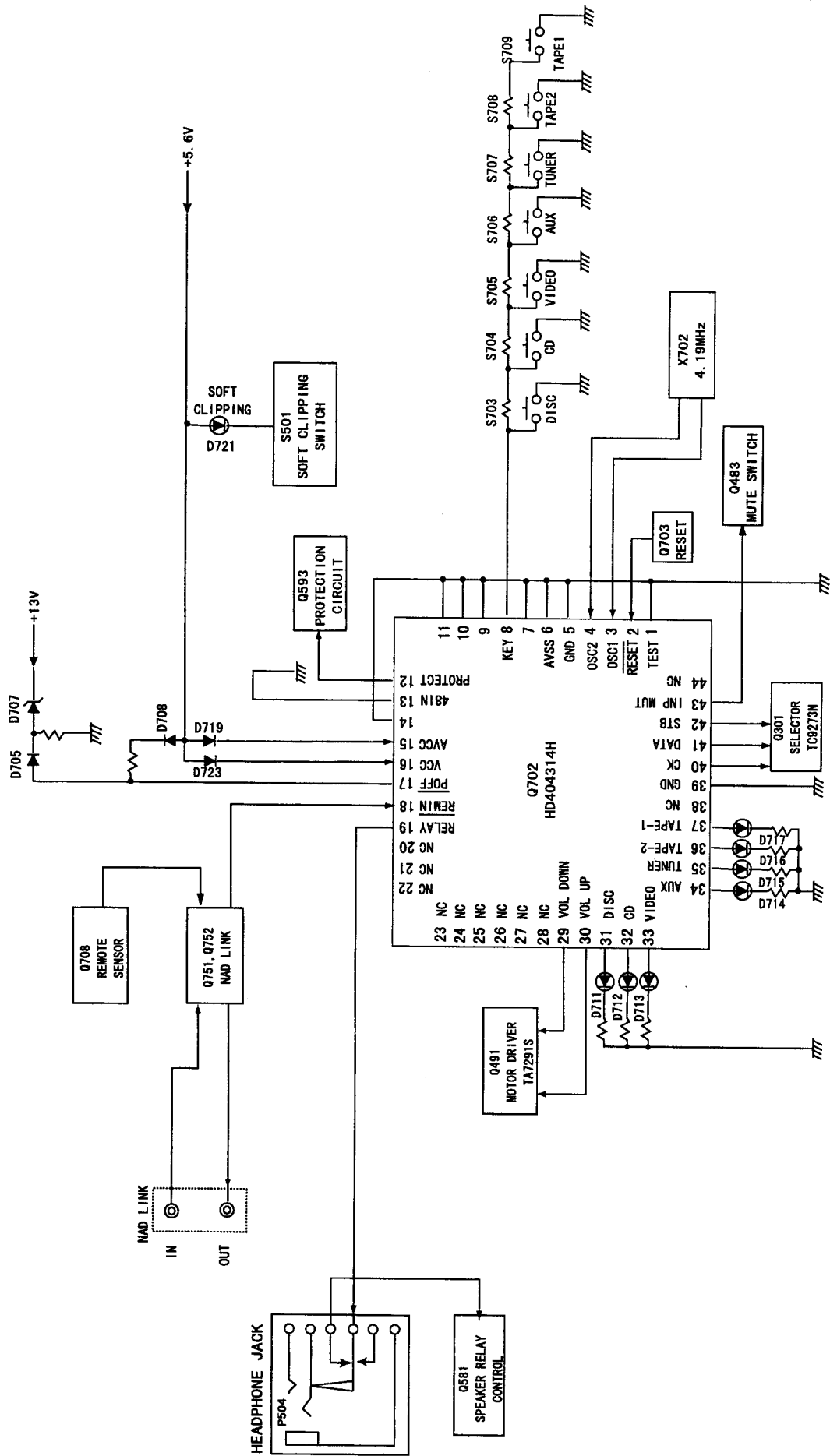


BLOCK DIAGRAM

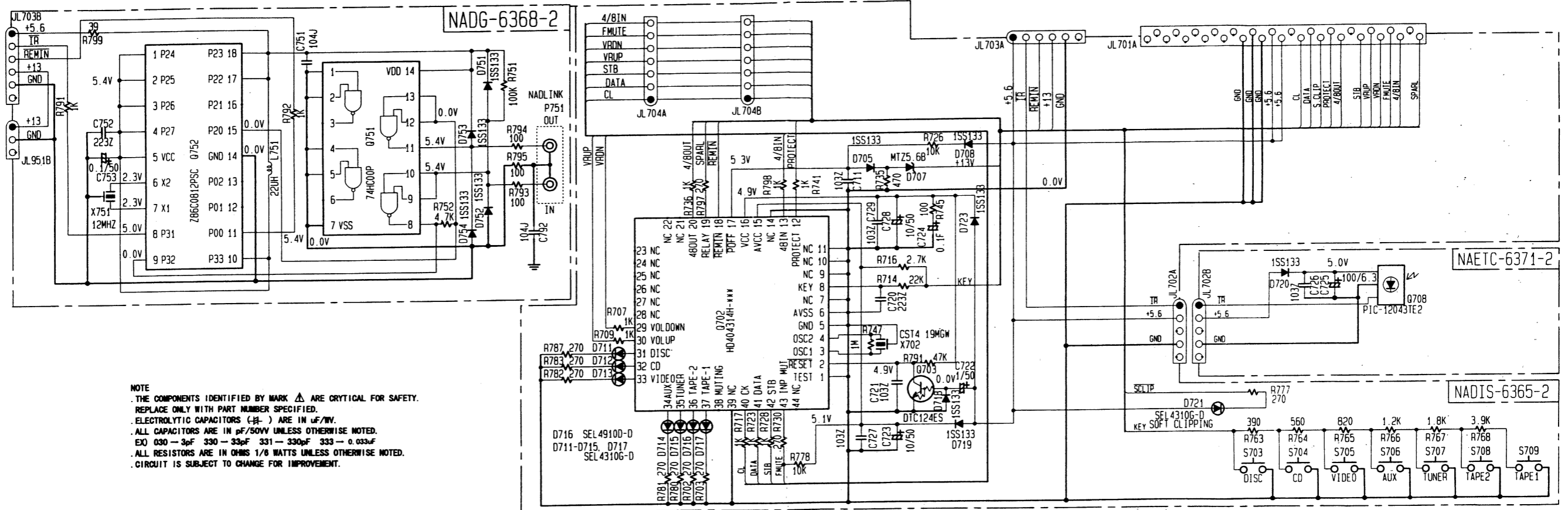


R911 and R912 are mounted as fuses.

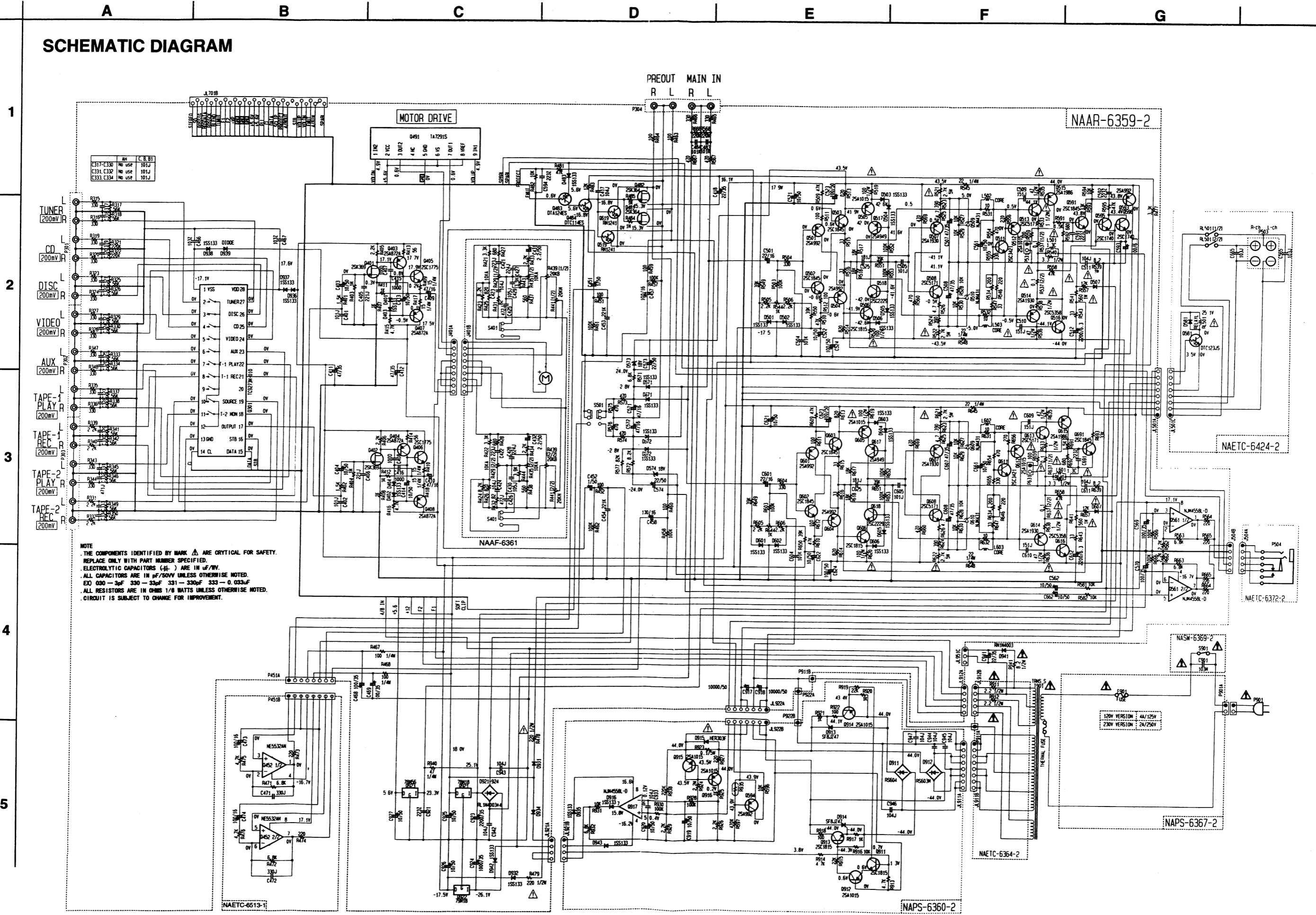
MICROPROCESSOR CONNECTION DIAGRAM



SCHEMATIC DIAGRAM

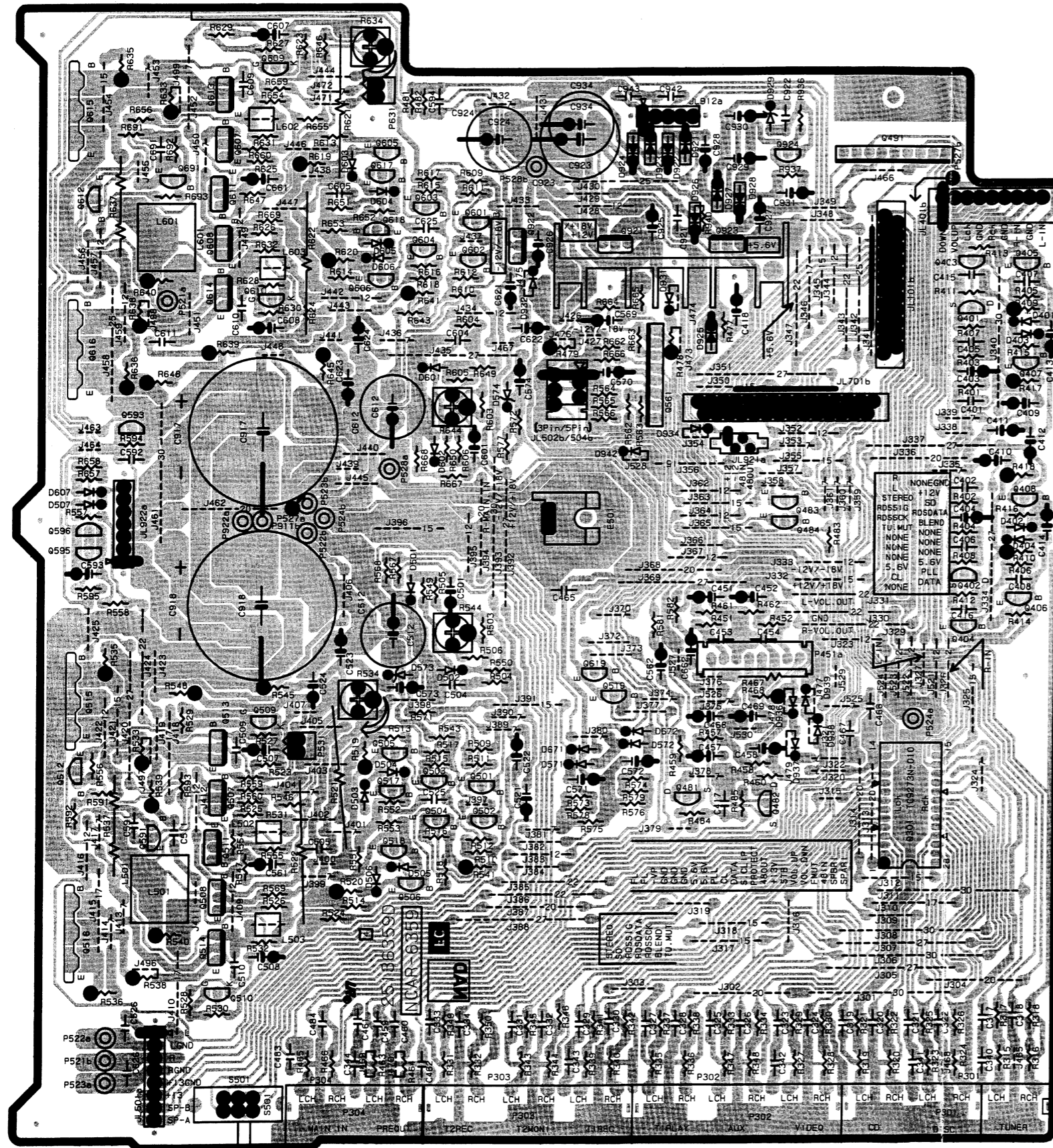


SCHEMATIC DIAGRAM

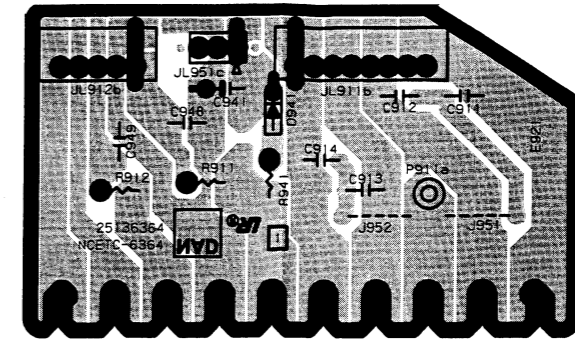


PCB LAYOUT

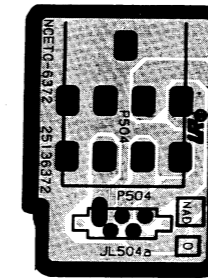
U01 : Main circuit PC board NAAR-6359



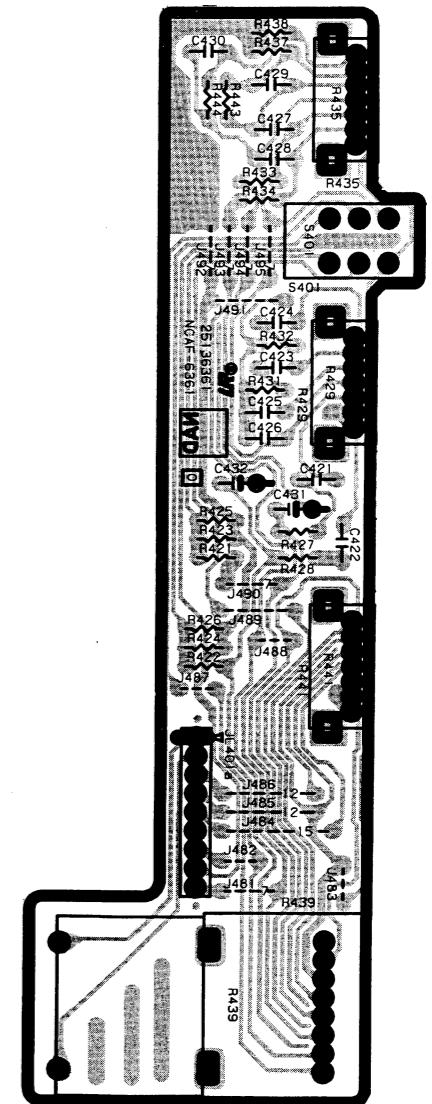
U06 : Transformer PC board NAETC-6364



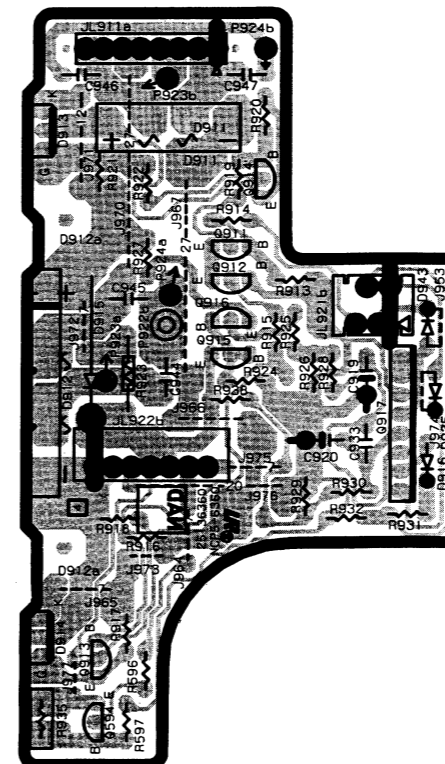
U05 : Head phone PC board NAETC-6372



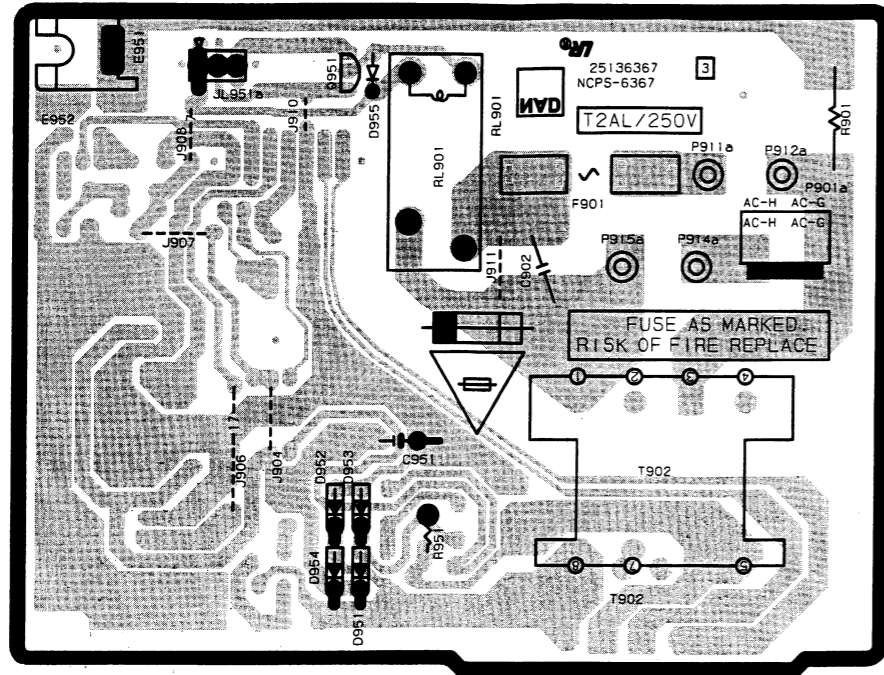
U03 : Control PC board NAAF-6361



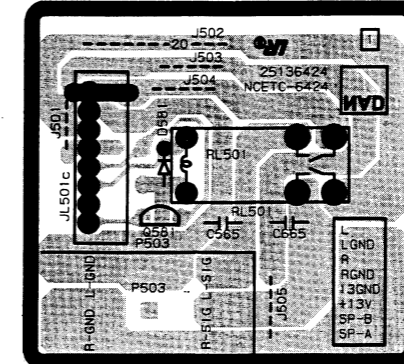
U02 : Sub power supply PC BOARD NAPS-6360



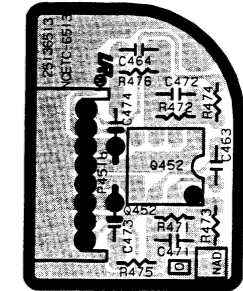
U09 : Power supply PC board NAPS-6367



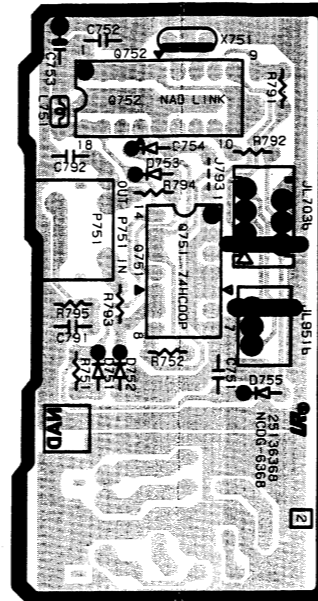
**U14 : NAD link PC board
NADG-6368**



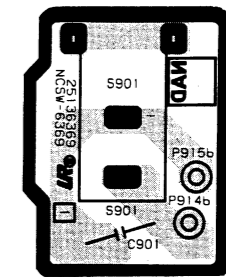
**U15 : Sub circuit PC board
NAETC-6513**



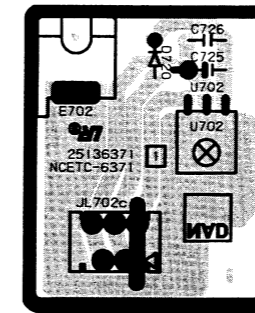
**U10 : NAD link PC board
NADG-6368**



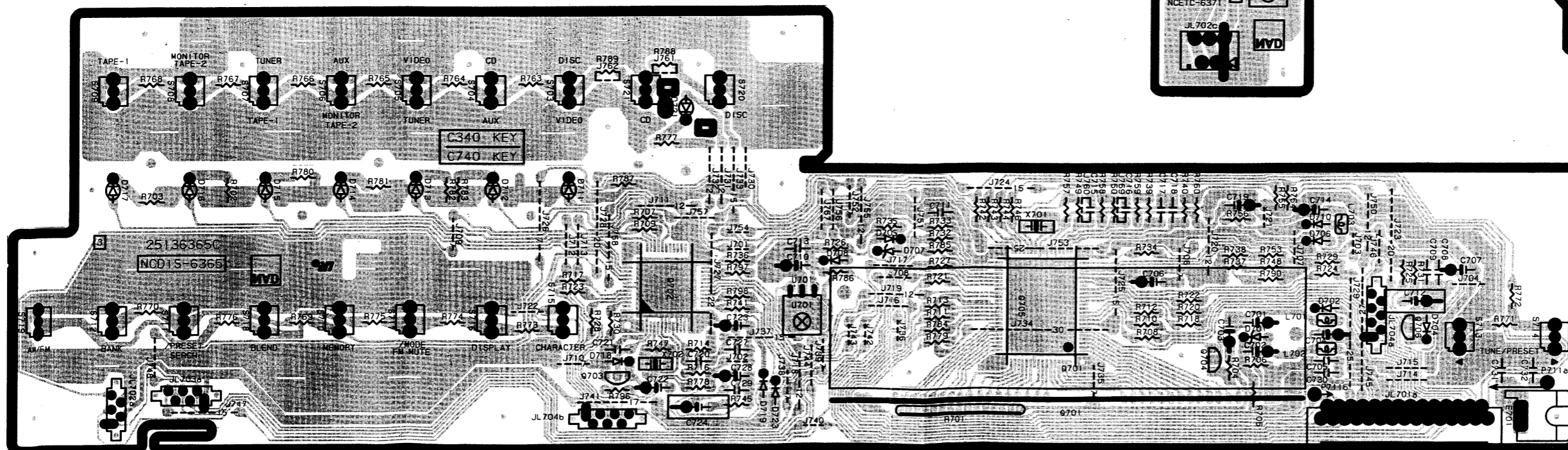
**U11 : Power switch PC board
NASW-6369**



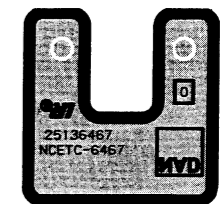
**U13 : Remote cont. PC board
NAETC-6371**



U07 : Display PC board NADIS-6365

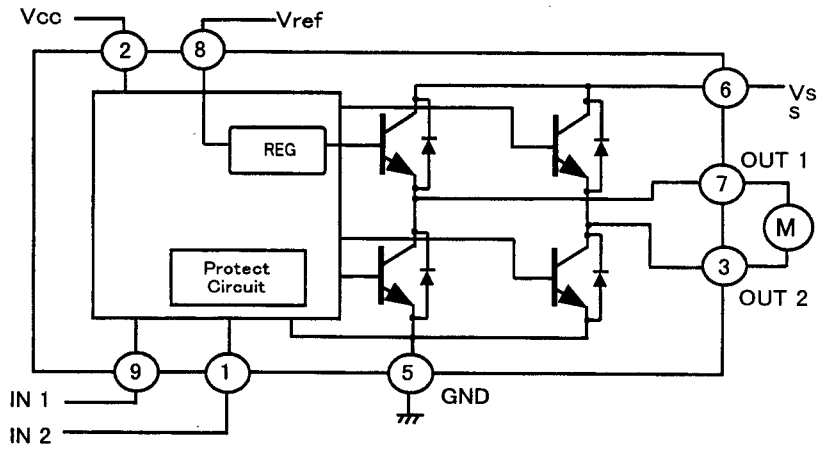


U16 : NAETC-6467

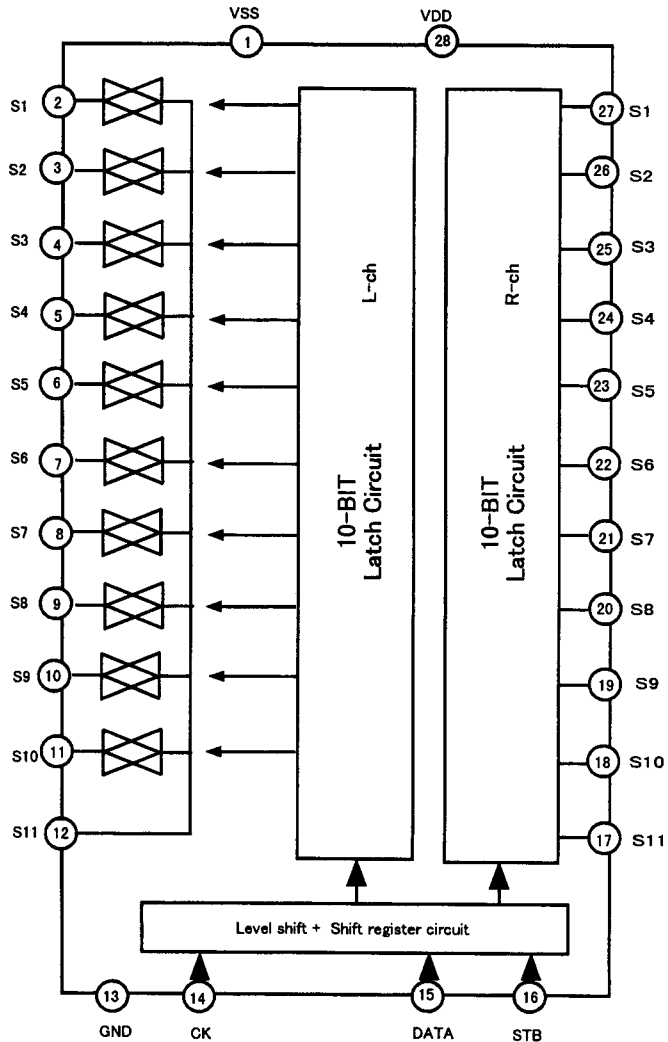


IC BLOCK DIAGRAM

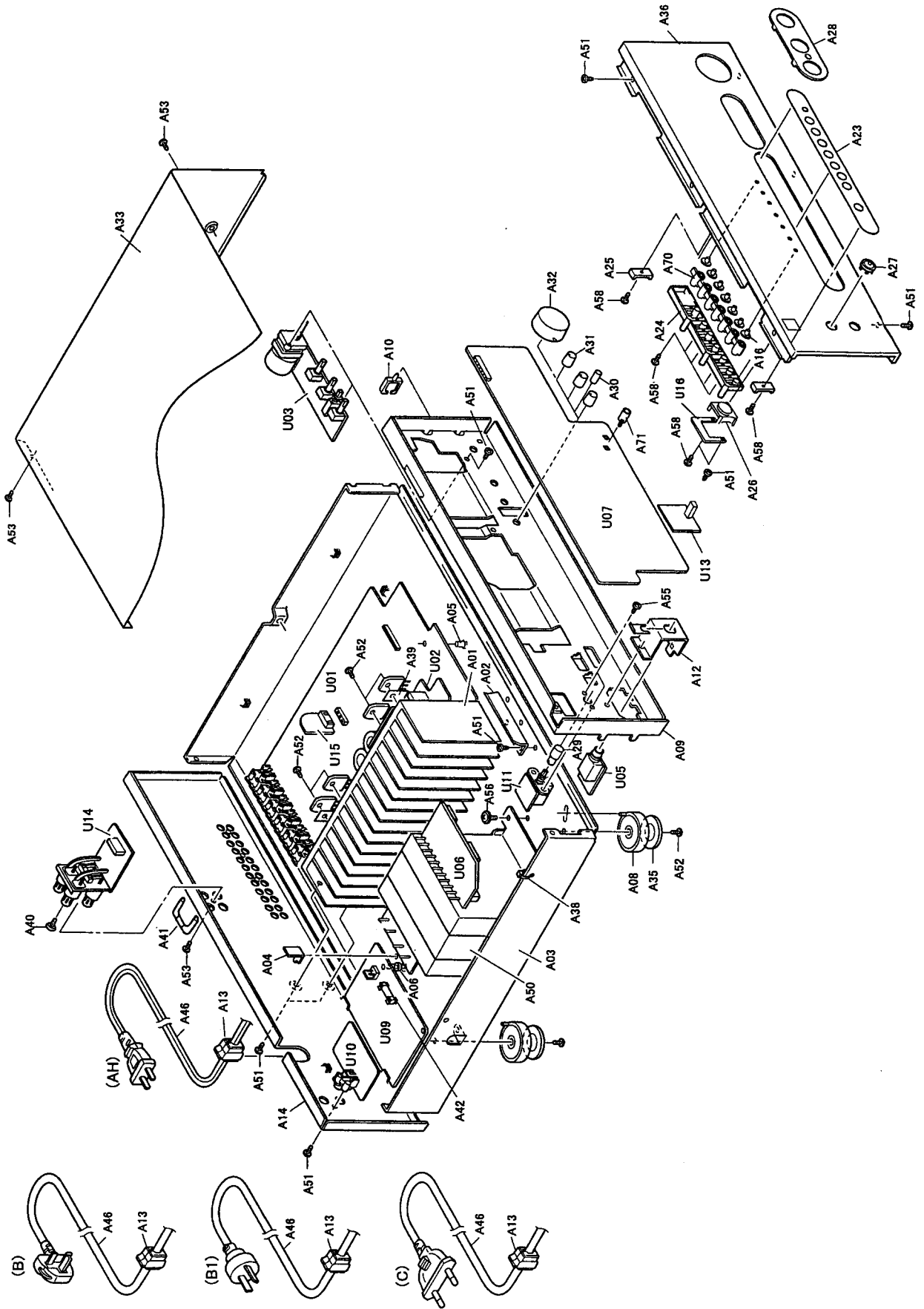
Q491 : TA7291S MOTOR DRIVER IC



Q301 : TC9273N FUNCTION SELECT IC



EXPLODED VIEW



EXPLODED VIEW PARTS LIST

REF.No.	PART No.	Q'ty	DESCRIPTION	REF.No.	PART No.	Q'ty	DESCRIPTION
A01	27160418	1	Heatsink	A41	25055436	2	Plug NPLG-2P418
A02	27141671	1	Retainer	A42*AH	252163	1	△ Fuse 4A-UL/T-237
A03	27100364A	1	Chassis	A42*B1,B,C	252074	1	△ Fuse 2A-SE-EAK
A04	27130745	1	Bracket	A46*AH	253192HIT	1	△ AC cord AS-UC-6#18(SPT-2)
A05	27191044	2	KGPS-8RF Holder	A46*C	253193HIT	1	△ AC cord AS-CEE
A06	27190266	1	KGLS-12RF Holder	A46*B1	253197HIT	1	△ AC cord AS-SAA
A08	27175306	4	Leg	A46*B	253198HIT	1	△ AC cord AS-BS
A09	27111082	1	Front bracket	A50*AH	2301356	1	△ Power transformer NPT-1349D
A10	27300243	1	Wire clamp WS-2W	A50*B1,B,C	2301357	1	△ Power transformer NPT-1349P
A12	27141728	1	Retainer H/P Jack	A51	838130088	46	Screw 3TTB+8B Self-tapping screw
A13	27300750	1	△ Bushing S-RELIEF #2271	A52	801433	4	Screw 3SMS8W.SW+14B(BC) Self-tapping screw
A14*AH	27122494	1	Rear panel	A53	838430088	6	Screw 3TTB+8B(BC) Self-tapping screw
A14*B1,B,C	27122495	1	Rear panel	A55	838430107	2	Screw 3TTB+10S(BC) Self-tapping screw
A16	28198858	7	Facet (Power Ind.)	A56	830440089	4	Screw 4TTC+8C(BC) Self-tapping screw
A23	27215306	1	Decorative frame for input button.	A58	838126068 or 833426068 or 834426068	9	ST Screw 2.6TTB+6B or 2.6TTP+6B(BC) or 2.6TTS+6B(BC) Self-tapping screw
A24	28325608	3	Button (Input)	A70	27267999	1	Guide (Input)
A25	27191052	2	Holder (Deco)	A71	27268000	1	Guide (Soft clipping LED holder)
A26	28191833	1	Clear plate				
A27	27267995	1	Guide (Power)				
A28	27215309	1	Decorative frame (Tone)				
A29	28325604	1	Button (Power)				
A30	28325610	1	Button (Power)				
A31	28325609	3	Button (Defeat)				
A32	28325611	1	Knob (Tone)				
A33	28184741A	1	Knob (Volume)				
A35	28141378	4	Top Cover				
A36	27212013	1	Cushion(leg)				
A38	260208	3	Front panel				
A39	223024	4	Wire tie (Clamper)JUL				
A40*B1,B,C	880048	4	Isolate sheet AC238				
		4	Plastic rivet P-3055B-8L				

REF. No.	PARTS No.	Q'ty	DESCRIPTION	REF. No.	PARTS No.	Q'ty	DESCRIPTION
U01*AH	1A787559-2A	1	Main circuit PC board ass'y NAAR-6359-2A	U01* B 1,B,C	1A787559-2B	1	Main circuit PC board ass'y NAAR-6359-2B
U02*AH	1A787560-2A	1	Sub power supply PC board ass'y NAPS-6360-2A	U02* B 1,B,C	1A787560-2B	1	Sub power supply PC board ass'y NAPS-6360-2B
U03*AH	1A787561-2A	1	Control PC board ass'y NAAF-6361-2A	U03* B 1,B,C	1A787561-2B	1	Control PC board ass'y NAAF-6361-2B
U05*AH	1A787572-2A	1	Head phone PC board ass'y NAETC-6372-2A	U05* B 1,B,C	1A787572-2B	1	Head phone PC board ass'y NAETC-6372-2B
U06*AH	1A787564-2A	1	Transformer PC board ass'y NAETC-6364-2A	U06* B 1,B,C	1A787564-2B	1	Transformer PC board ass'y NAETC-6364-2B
U07*AH	1A787565-2A	1	Display PC board ass'y NA DIS-6365-2A	U07* B 1,B,C	1A787565-2B	1	Display PC board ass'y NADIS-6365-2B
U09*AH	1A787567-2A	1	Power supply PC board ass'y NAPS-6367-2A	U09* B 1,B,C	1A787567-2B	1	Power supply PC board ass'y NAPS-6367-2B
U10*AH	1A787568-2A	1	NAD link PC board ass'y NADG-6368-2A	U10* B 1,B,C	1A787568-2B	1	NAD link PC board ass'y NADG-6368-2B
U11*AH	1A787569-2A	1	Power switch PC board ass'y NASW-6369-2A	U11* B 1,B,C	1A787569-2B	1	Power switch PC board ass'y NASW-6369-2B
U13*AH	1A787571-2A	1	Remote cont. PC board ass'y NAETC-6371-2A	U13* B 1,B,C	1A787571-2B	1	Remote cont. PC board ass'y NAETC-6371-2B
U14*AH	1A787524-2A	1	Speaker PC board ass'y NAETC-6424-2A	U14* B 1,B,C	1A787524-2B	1	Speaker PC board ass'y NAETC-6424-2B
U15*AH	1A787513-2A	1	Sub circuit PC board ass'y NAETC-6513-2A	U15* B 1,B,C	1A787513-2B	1	Sub circuit PC board ass'y NAETC-6513-2B
U16*AH	1A787516-2A	1	Clear plate support PC board NAETC-6467-2A	U16* B 1,B,C	1A787516-2B	1	Clear plate support PC board NAETC-6467-2B

NOTE: THE COMPONENTS IDENTIFIED BY MARK Δ ARE CRITICAL FOR RISK OF FIRE AND ELECTRIC SHOCK. REPLACE ONLY WITH PART NUMBER SPECIFIED.

NOTE: <AH> : U.S.A. ,Canadian model only
 : U.K. model only
 <B1> : Australian model only
 <C> : European model only

ELECTRICAL PARTS LIST

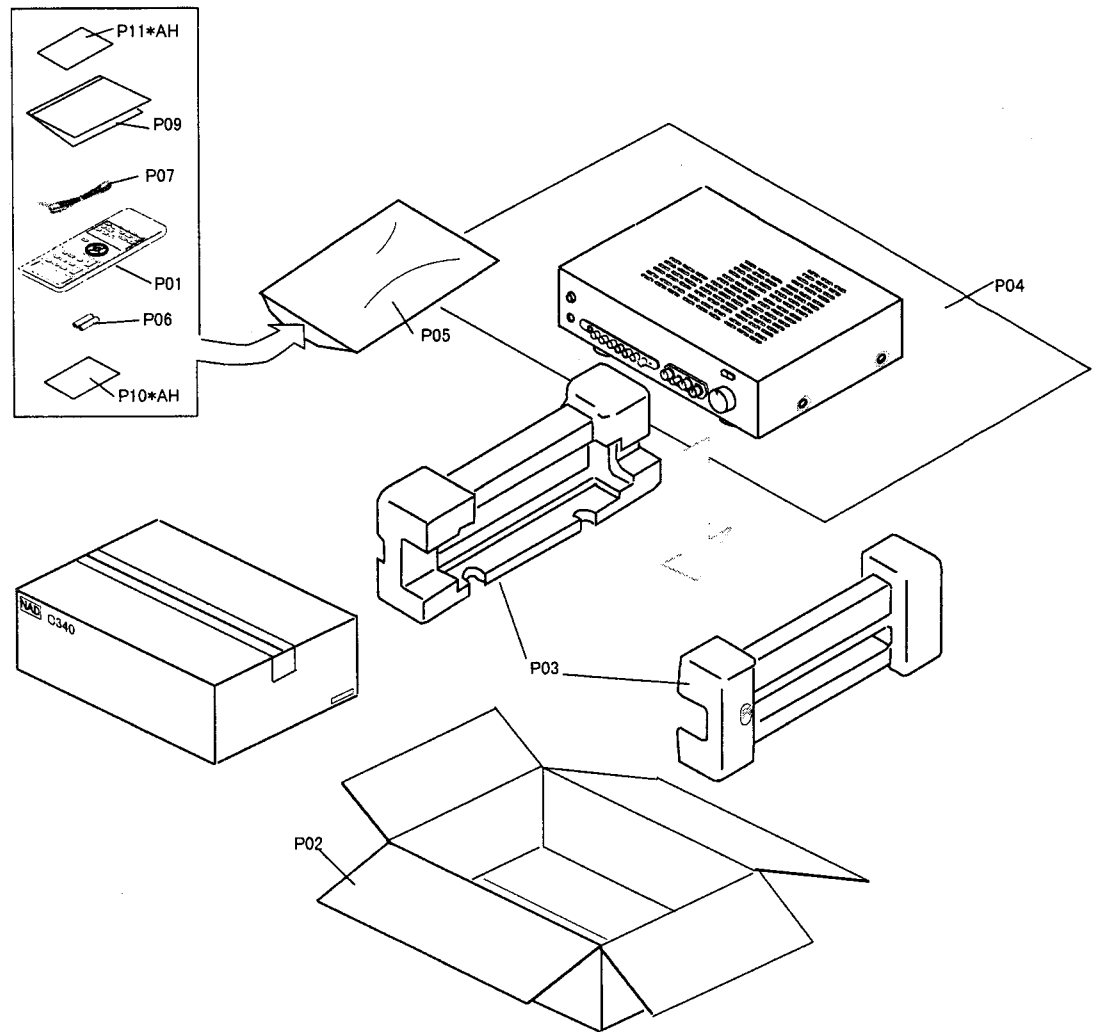
NOTE: Replacement of the transistor of mark * , if necessary, must be made from the same beta (HFE) as the original type.

UI: Main circuit PC board (NAAR-6359)

REF. No.	PART No.	DESCRIPTION	REF. No.	PART No.	DESCRIPTION
Capacitors			Transistors		
C403,C404,C413, C414,C521,C522, C561,C562,C621, C622,C661,C662, C925-C927	354781009	10 μ F,50V,Elect.	Q501,Q504,Q601, Q604,Q504	2211793	2SA992-E
C409,C410,C571, C572	354744709	47 μ F,16V,Elect.	Q502,Q503,Q602, Q603	2211733	2SC1845-E
C411,C412,C507, C508,C607,C608	354764709	47 μ F,35V,Elect.	Q506,Q606,Q505, Q512,Q605,Q612	2211255	2SC1815-GR
C417,C511,C611, C921,C933,C942, C943,C944,C945	374721044	0.1 μ F \pm 5%,50V,Plastic	Q507,Q514,Q607, Q614	2203000	2SA1930
C418,C941	354762209	22 μ F,35V,Elect.	Q508,Q513,Q608, Q613	2203010	2SC5171
C451,C452	354780109	1 μ F,50V,Elect.	Q509,Q510,Q609, Q610	22241254	NJM431L
C457,C458	354741019	100 μ F,16V,Elect.	Q511,Q611	2212654 or 2212653	2SC3421-Y or 2SC3421-O
C468,C469,C569, C570	354761019	100 μ F,35V,Elect.	Q511a,Q611a	27160416A	Heat sink (TR)
C483,C484*AH	374721015	100pF \pm 10%,50V,Plastic	Q511b,Q611b, Q921b,Q922b	838430107	3TTB+10S(BC), Self-tapping
C483,C484*B1,B,C	374721015	100pF \pm 10%,50V,Plastic	Q515	2203113 or 2203112	* 2SA1986-O or 2SA1986-R
C501,C601	354742209	22 μ F,16V,Elect.	Q516	2203123 or 2203122	* 2SC5358-O or 2SC5358-R
C504,C604	374721015	100pF \pm 10%,50V,Plastic	Q517,Q617	2211354 or 2211353	2SA949-Y or 2SA949-O
C512,C612	354722229S	2200 μ F,6.3V,Elect.	Q518,Q618	2211634 or 2211633	2SC2229-Y or 2SC2229-O
C523,C524,C623, C624	354781019	100 μ F,50V,Elect.	Q519,Q619	2213631	RN1241-A
C565,C665	374721034	0.01 μ F \pm 5%,50V,Plastic	Q591,Q691	2211733 or 2211732	2SC1845-E or 2SC1845-F
C573,C574	354782209	22 μ F,50V,Elect.	Q593	2211793 or 2211792	2SA992-E or 2SA992-F
C593	354721019	100 μ F,6.3V,Elect.	Q595,Q596	2213284	2SC1740S-R
C917,C918	3504344	10000 μ F,50V,Elect.	Q615	2203113 or 2203112	* 2SA1986-O or 2SA1986-R
C923	354762229S	2200 μ F,35V,Elect.	Q616	2203123 or 2203122	* 2SC5358-O or 2SC5358-R
C924	354761029S	1000 μ F,35V,Elect.	Resistors		
C946,C947	374731044	0.1 μ F \pm 5%,100V,Plastic	R409,R410,R417, R418	415421503	R25G-15 Carbon 2W
Diodes			R467,R468	415421013	R25G-100
D573,D754	224471803	MTZJ18C Zener	R478,R479	443522214	Δ 220 Ω \pm 5%,1/2W, Metal oxide
D601-D607	223163	1SS133	R519,R520,R619, R620	443521014	Δ 100 Ω \pm 5%,1/2W, Metal oxide
D671,D672	223163	1SS133	R521,R522,R621, R622	4400044F	Δ 2.7k Ω \pm 5%,5W, Metal oxide
D921-D924,D941	22380260 or 22380032 or 22380035	RL1N4003 or 1SR139-100 or GP104003E	R533,R538,R633, R638	453530104	Δ 1 Ω \pm 5%,1/2W, Metal
D931-D934, D936-D939,D942	223163	1SS133	R534,R634	5210255	N06HR200BC,Trimming
ICs			R535,R536,R635, R636	443524704	Δ 47 Ω \pm 5%,1/2W, Metal oxide
Q301	22240881	TC9273N-010	R537,R637	4500030	Δ MPC722-5WK-0.1, Metal plate
Q491	22240239	TA7291S	R539,R639	453630824	Δ 8.2 Ω \pm 5%,1W, Metal
Q561	22240293 or 22240247	NJM4558L-D or BA15218N	R540,R640	453530334	Δ 3.3 Ω \pm 5%,1/2W, Metal
Q921	222780185JR	78M18HF(NJM78M18FA)	R541,R641	443625614	Δ 560 Ω \pm 5%,1W, Metal oxide
Q921a	27160209	Heat sink (RAD-67)	R544,R644	5210258	N06HR1KBC,Trimming
Q922	222790185JR	79M18HF(NJM79M18FA)	R545,R548,R645, R648,R940	415422203	R25G-22
Q922a	27160429	Heat sink (TR)	R923	4000116	Δ MPC74-5WK-0.1, Metal plate
Q923	222780565JR	78M56(NJM78M56FA)	R941	453530824	Δ 8.2 Ω \pm 5%,1/2W, Metal
Q401,Q402	2214736 or 2214735	2SK369-BL or 2SK369-GR	Switches		
Q403,Q404,Q407, Q408,Q404	2211085	2SA872A-E	S501	25065286	NSS-22112 Slide switch
Q405,Q406	2215116	2SC1775-F	Coils		
Q481,Q482	2215196	2SK364-BL	L501,L601	231176S	S coil S-1.3C
Q483	2212600	DTA124ES	L502,L503,L602, L603	5597-45502	Ferrite core
Q484	2213290	DTC114ES			

REF. No.	PART No.	DESCRIPTION	REF. No.	PART No.	DESCRIPTION
Jacks			JL912b	25050282	NSCT-5P110 Socket
P304	25045356	NPJ-4PDBL202 Jack	U07: Display PC board (NADIS-6365)		
P301-P303	25045565 or 25045508	NPJ-6PDBL380 or NPJ-6PDBL323 Pin jack	Capacitors		
Wire holders			C722,C723,C728	354780109	1 μ F,50V,Elect.
JL921a	25051088	Wire holder NSCT-4P875	Diodes		
JL951c	25051107	Wire holder NSCT-3P894	D705,D708,D723	223163	1SS133
JL912a	25051109	Wire holder NSCT-5P896	D707	224470562	MTZJ5.6B Zener
JL922a	25051111	Wire holder NSCT-7P898	D711-D719,D721	225292D	SEL4310G-D LED
JL501a	25051112	Wire holder NSCT-8P899	Ics		
JL401a	25051113	Wire holder NSCT-9P900	Q702	22241257	HD404314D24H
Others			Transistors		
JL701b	25051836 or 25050969	NSCT-29P1623 or NSCT-29P756 Socket	Q703	2213160	DTC124ES
P451a	25052137	NSCT-8P2035 Socket	Switches		
P531,P631	25055038	NPLG-2P29 Plug	S703-S709	25035675	NPS-111-111-S628
JL921b	25055625	Wire trap NPLG-4P587	Wire holders		
JL504b	25055626	Wire trap NPLG-5P588	JL702a	25051089	NSCT-5P876
E501	27141059	Retainer (Ground)	JL703a	25051090	NSCT-6P877
E921	260224	Wire clamp CP-1S	JL704a,JL704b	25051091	NSCT-7P878
U02: Sub power supply PC board (NAPS-6360)			Filters		
Capacitors			X702	3010163	CST4.19MGW
C919,C920	354781009	10 μ F,50V,Elect.	Others		
Diodes			E701	27141059	Ground retainer
D911	22380281	RS604	JL701a	25051873 or 25050935	NSCT-29P1660 or NSCT-29P722 Socket
D912	22380274 or 22380038	DIODE RS603M or RBV602	U09: Power supply PC board (NAPS-6367)		
D912a	27160419	Heat sink(SCR)	F901a	25050065	YSH403T Fuse holder
D912b	838430107	3TTB+10S(BC), Self-tapping screw	F901b*AH	29360467	4A/125V,Fuse label
D913,D914	226065	SF8JZ47 SCR	P901a	25055675	Plug NPLG-2P631
D915	22380012F	HER303F	U10: NAD link PC board (NADG-6368)		
D916,D935,D943	223163	1SS133	Capacitors		
Transistors			C751,C792	374721044	0.1 μ F \pm 5%,50V,Plastic
Q594	2211793 or 2211792	2SA992-E or 2SA992-F	C753	354781099	0.1 μ F,50V,Elect.
Q911,Q913	2211255	2SC1815-GR	Diodes		
Q912,Q914-Q916	2211455	2SA1015-GR	D751-D754	223163	1SS133
ICs			Ics		
Q917	22240293	NJM4558L-D	Q751	222740005	74HC00P
Others			Q752	22241266	Z86C0812PSCR-R2536
R935	4000150	PTH9M04BC222TS2F333 Thermistor	Others		
JL911a	25051112	NSCT-8P899 Wire holder	JL703b	25055627	NPLG-6P589 Wire trap
JL922b	25050271	NSCT-7P99 Socket	JL951b	25050267	NSCT-3P95 Socket
U03: Control PC board (NAAF-6361)			L751	233454K220	NCH-1452 220K Choke coil
Capacitors			P751	25045568	NPJ-2PDY383 Pin jack
C421,C422	374722234	0.022 μ F \pm 5%,50V,Plastic	X751	3010252	CST12.0MTW Resonator
C423,C424	374721044	0.1 μ F \pm 5%,50V,Plastic	U11: Power switch PC board (NASW-6369)		
C425,C426	374724724	4700pF \pm 5%,50V,Plastic	C901	3500191	DE7150F-103M IS Capacitor
C427,C428	374722244	0.22 μ F \pm 5%,50V,Plastic	S901	25035550	NPS-111-L512P Power switch
C429,C430	374721054	1 μ F \pm 5%,50V,Plastic	C901a	27301216	SB1925A Capacitor cover
C431,C432	354780229	2.2 μ F,50V,Elect.	U13: Remote cont. PC board (NAETC-6371)		
Resistors			C725	354721019	100 μ F,6.3V,Elect.
R429,R435	5132447	N14RGLC10KA25F,Variable	D720	223163	1SS133 Diode
Switches			JL702b	25055626	NPLG-5P588 Wire trap
S401	25035698	NPS-123-L661 Push SW.	U702	24130011	PIC-12043TE2 Remote sensor
Others			E702	27141059	Retainer (Ground)
R439	5142445	N16RGL20KBTP30F,Variable	U14: Speaker PC board (NAETC-6424)		
R441	5132446	N14RGLC20KMN25F,Variable	D581	223163	1SS133 Diode
JL401b	25050273	NSCT-9P101 Socket	JL501c	25050272	NSCT-8P100 Socket
U05: Head phone PC board (NAETC-6372)			P503	25060147	NTM-4PDMN075 Terminal
JL504a	25051089	NSCT-5P876 Wire holder	Q581	2213640	DTC123JS Transistor
P504	25045502	JY-6315-03-090 Jack	RL501	25065517	NRL-2P5A-DC24-098 Relay
U06: Transformer PC board (NAETC-6364)			U15: Sub circuit PC board (NAETC-6512)		
Resistors			Capacitors		
R911,R912	453530224	Δ 2.2 Ω \pm 5%,1/2W, Metal	C473,C474	354741019	100 μ F,16V,Elect.
Others			Ics		
JL911b	25050285	NSCT-8P113 Socket	Q452	22240656	NE5532AN
			Others		
			P451b	25055912	NPLG-8P865 Plug

PACKING DIAGRAM



Parts list

REF. No.	PART No.	Q'ty	DESCRIPTION	REF. No.	PART No.	Q'ty	DESCRIPTION
P01	24140380S	1	Remote control unit(RC-450)	P09	29342609	1	Instruction manual U7
P02	29053322	1	Carton box C340	P10*AH	29355233	1	Instruction sheet E
P03	29091858	1	Pad Ass'v	P11*AH	29365078	1	Warranty card (NAD)
P04	29095740	1	Sheet				
P05	29100034-1	1	Styrene bag				
P06	3010124	2	Battery UM-4				
P07	2010317	1	NAD link cable				

NOTE: <AH> : U.S.A., Canadian model only
 : U.K. model only
 <C> : Australian model only
 <D> : European model only

Proprietary information for servicing purposes only. The information herein may not be used commercially without the prior written agreement of NAD Electronics Ltd, London, England.