

C 368

Hybrid Digital DAC Amplifier

SERVICE MANUAL

C 368

Hybrid Digital DAC Amplifier

NAD

SPECIFICATION

Specifications C 368

RMS Power into 4 Ω and 8 Ω (Stereo)	80W (at rated THD, 20-20kHz, both channels driven)	
IHF Dynamic Power	2 Ω	260W
	4 Ω	240W
	8 Ω	145W
THD	0.009%	
IMD	0.009%	
Signal/Noise Ratio	<-92dB (IHF; A-weighted, 500mV input ref. 1W out in 8 Ω)	
	<-110dB (IHF; A-weighted, ref. 50W in 8 Ω , max volume)	
Damping Factor	>200 (ref. 8 Ω , 50Hz and 1kHz)	
Frequency Response	10Hz-65kHz	
Channel Separation	1kHz	85dB
	10kHz	70dB
Sample Rate	192kHz/24bit	
Standby Power	0.5W	
Idle Power	29W	
Inputs	Digital: Coax x2, Optical x2	
	Analogue: Line In x2, Moving Magnet Phono Preamp (0.3mV input sensitivity ref. 200mV preout)	
Dimensions (W x H x D)	435 x 100 x 390mm (17 1/8 x 3 15/16 x 15 3/8")	
Net Weight	8.6kg (18.9lb)	
Shipping Weight	10.1kg (22.3lb)	

* Gross dimensions include feet, extended buttons and rear panel terminals. ** Non-metric measurements are approximate. NAD Electronics will not assume any liability for errors being made by retailers, custom installers, cabinet makers, or other end users based on information contained in this document. Note: Installers should allow a minimum clearance of 55mm for wire/cable management.

Available MDC Upgrade Modules

MDC BluOS

Adds Wi-Fi/Ethernet Network Connectivity with decoding for all major digital music formats, including Hi-Res Audio to 24/192, and support for local libraries and streaming music services. BluOS is the operating system of a wireless multi-room ecosystem that includes speakers from Bluesound allowing Hi-Res Audio to be distributed to every room in the home.

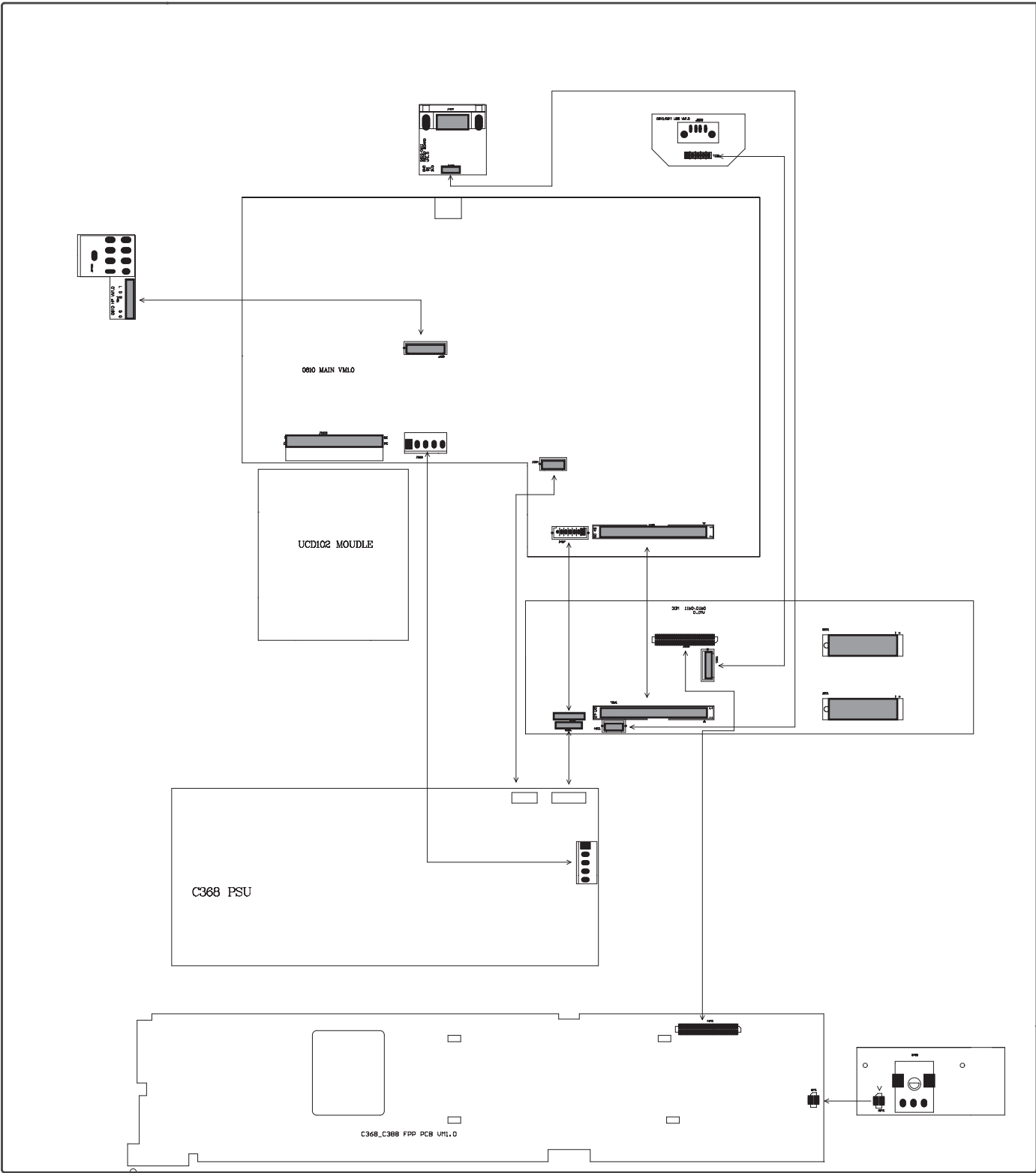
DD HDM-1

Adds 3 HDMI In (Stereo PCM only, no Surr. Dolby/DTS decoding) and 1 HDMI Out for video pass through. Full 3D Video support with video resolution up to 1080p/60. Supports 2 channel PCM audio with 24/192 resolution.

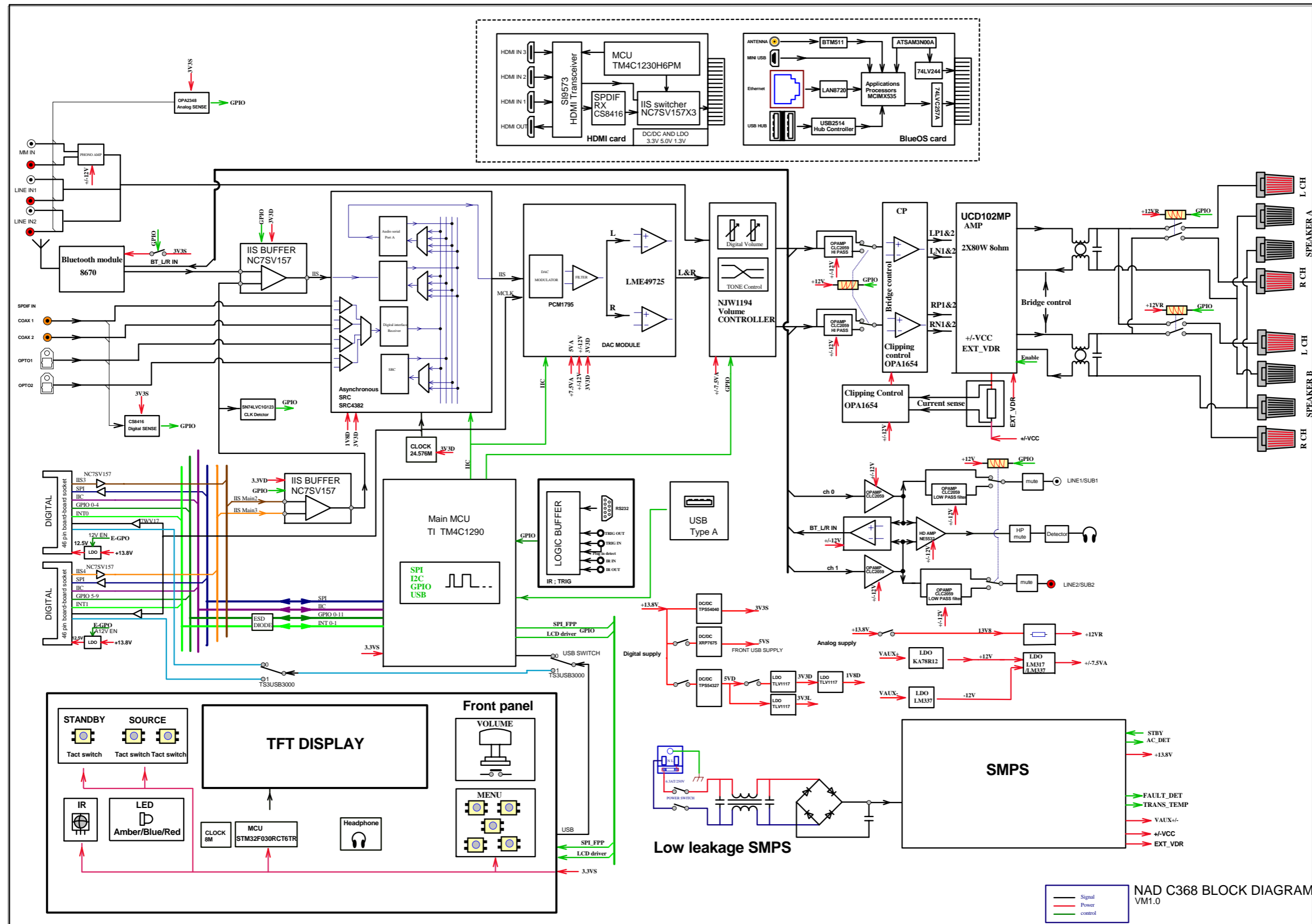
DD HDM-2

Adds 3 HDMI Inputs and 1 Output for Video Pass-Through. Supports 4K Video resolutions. Supports 2 channel PCM audio with 24/192 resolution. (Delivery TBA)

C368 WIRING DIAGRAM

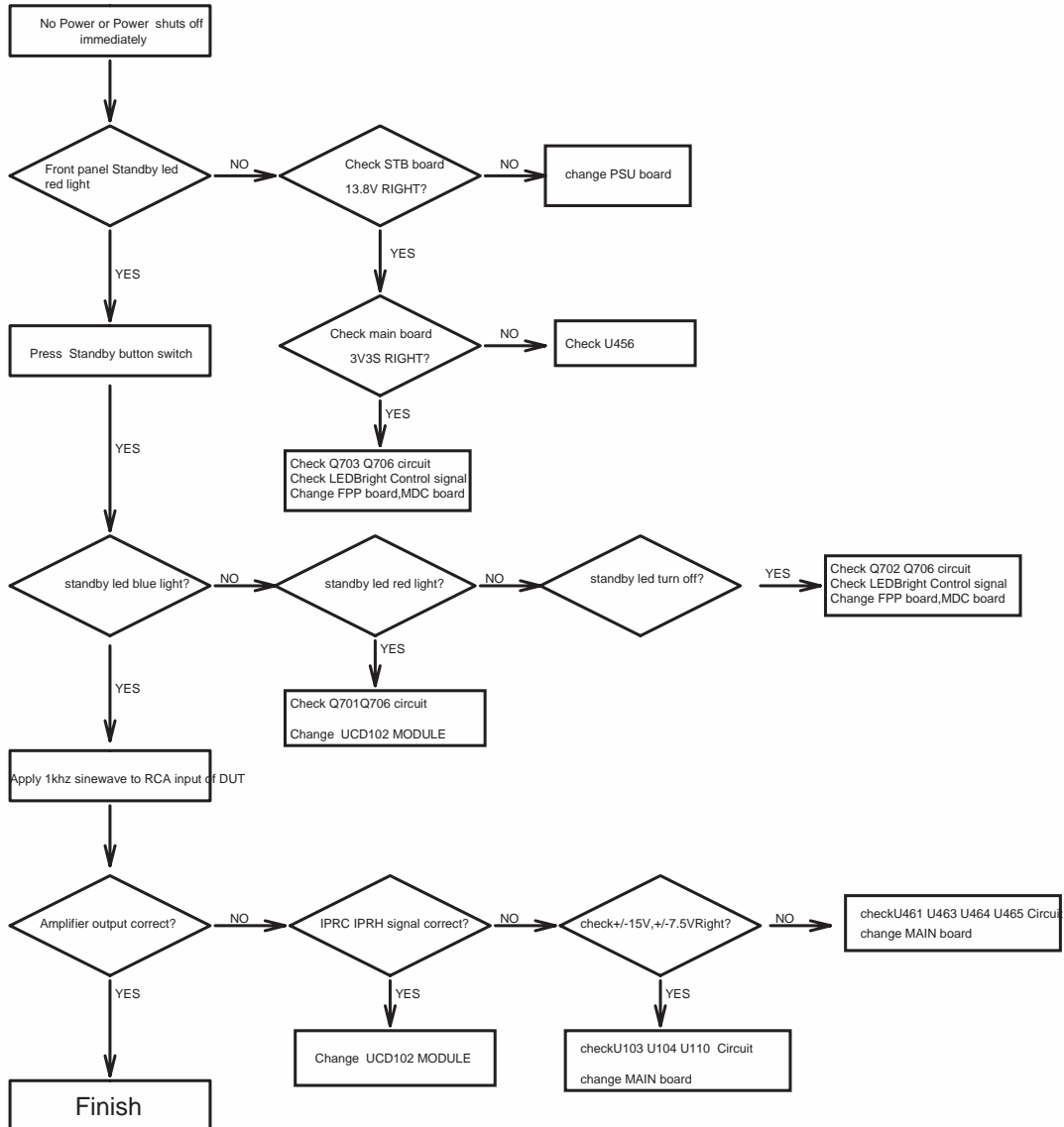


C368 BLOCK DIAGRAM

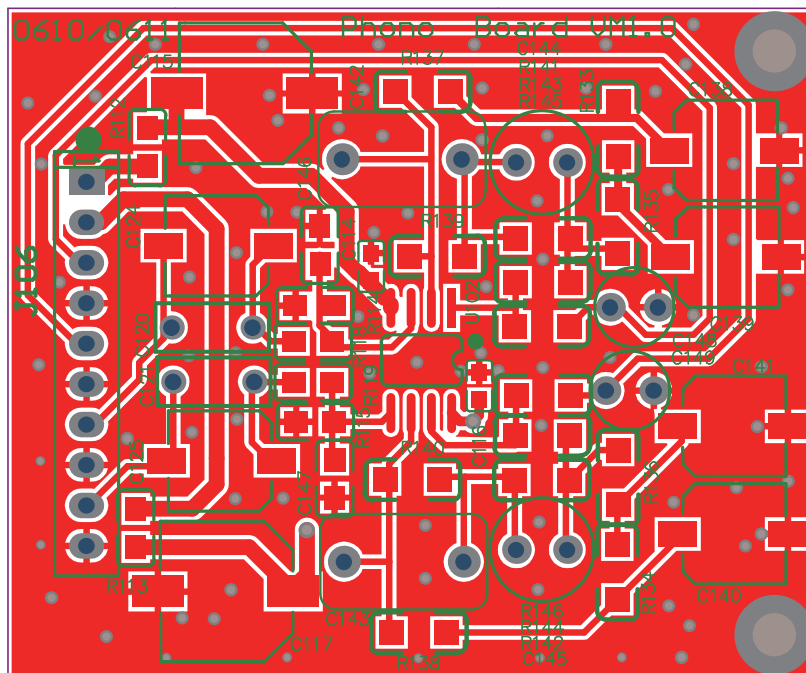
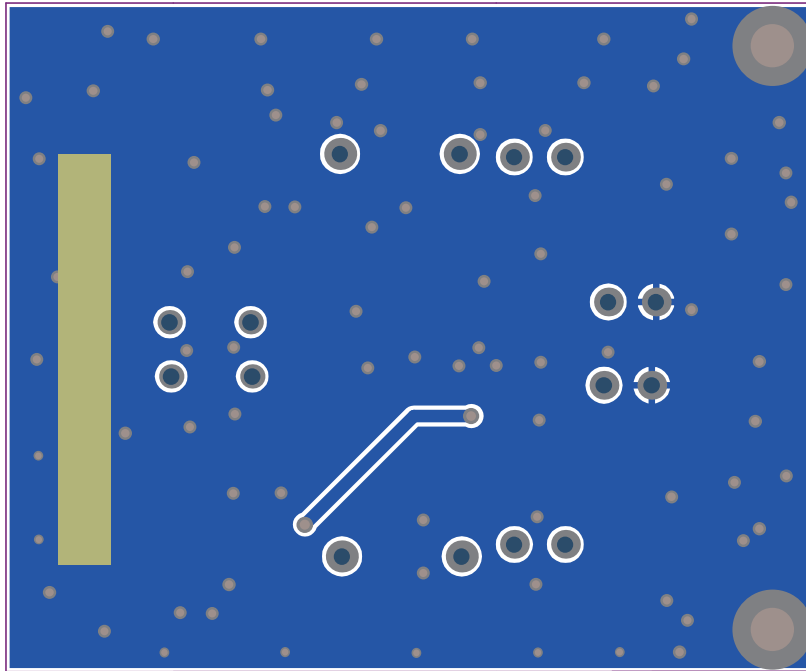


NAD C368 BLOCK DIAGRAM VM1.0

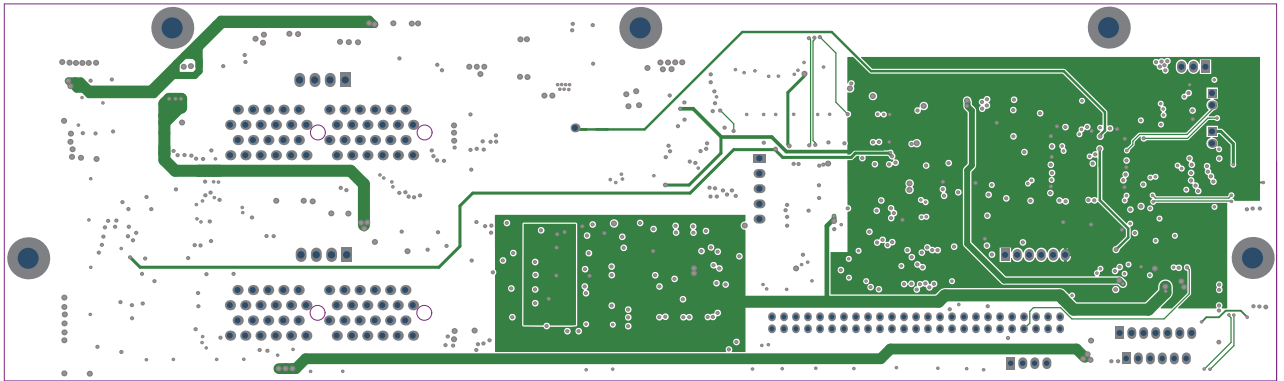
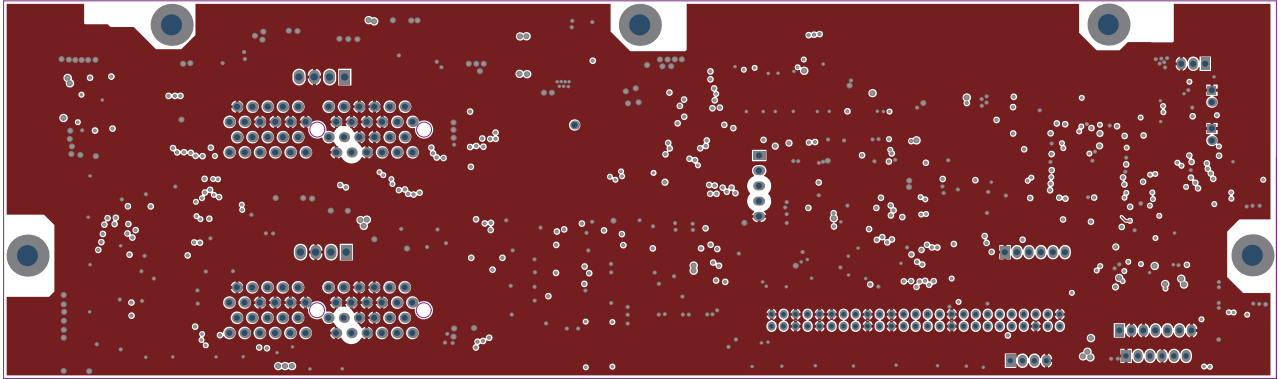
C368 Trouble shooting



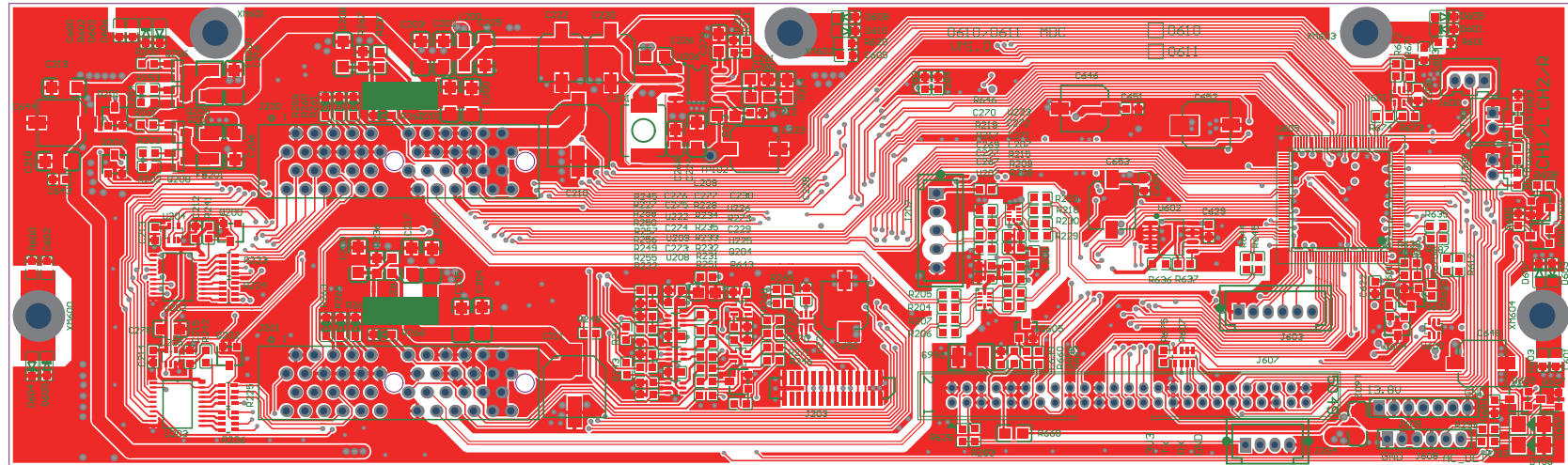
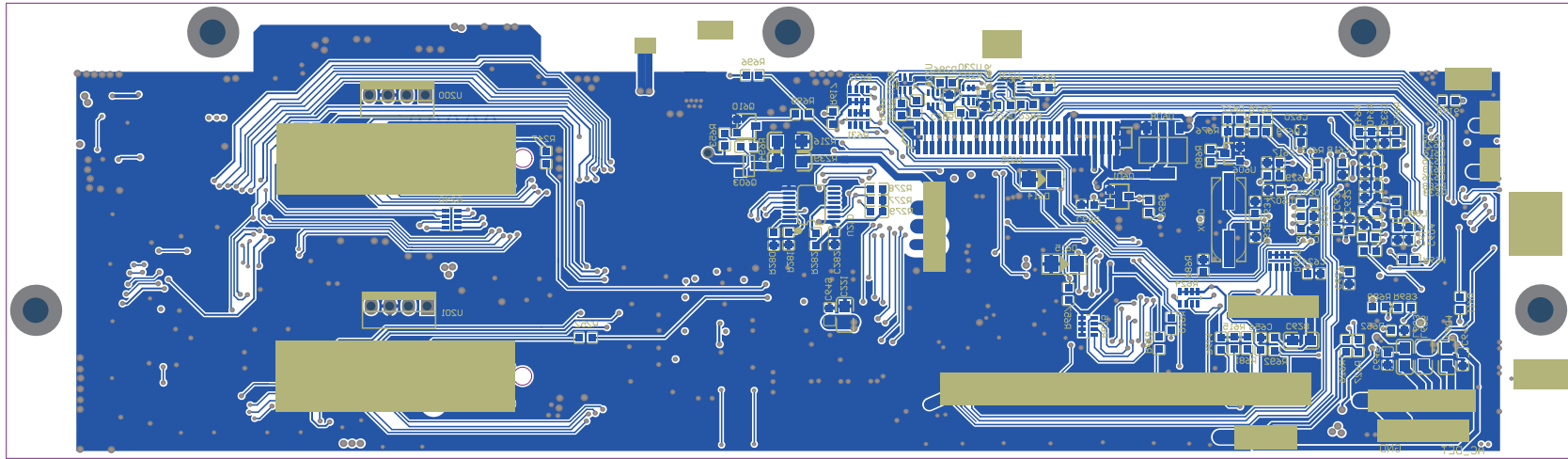
C368 & C388 PHONE BOARD



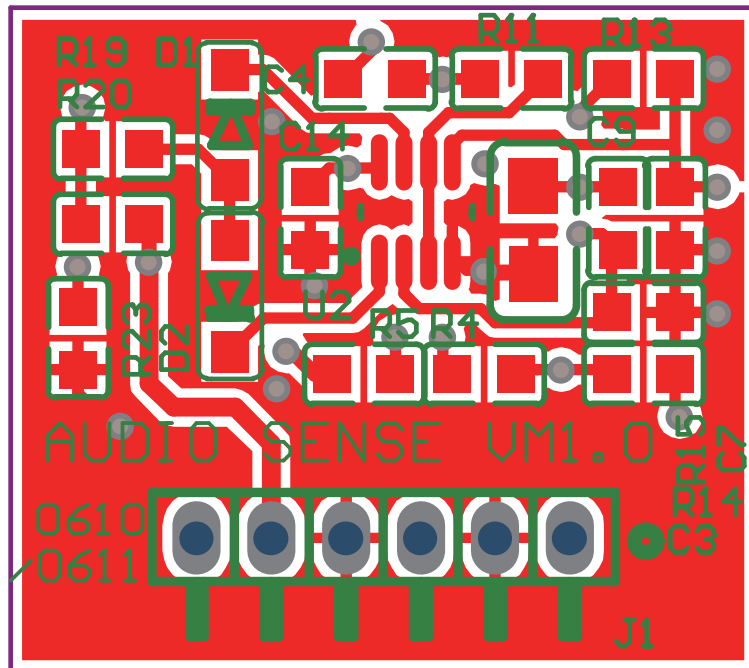
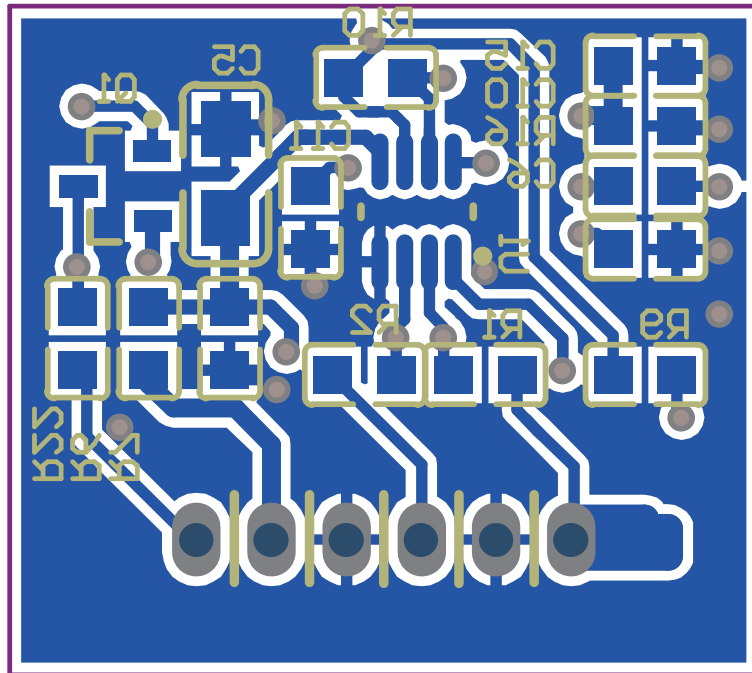
C368 & C388 MDC INTERNAL BOARD



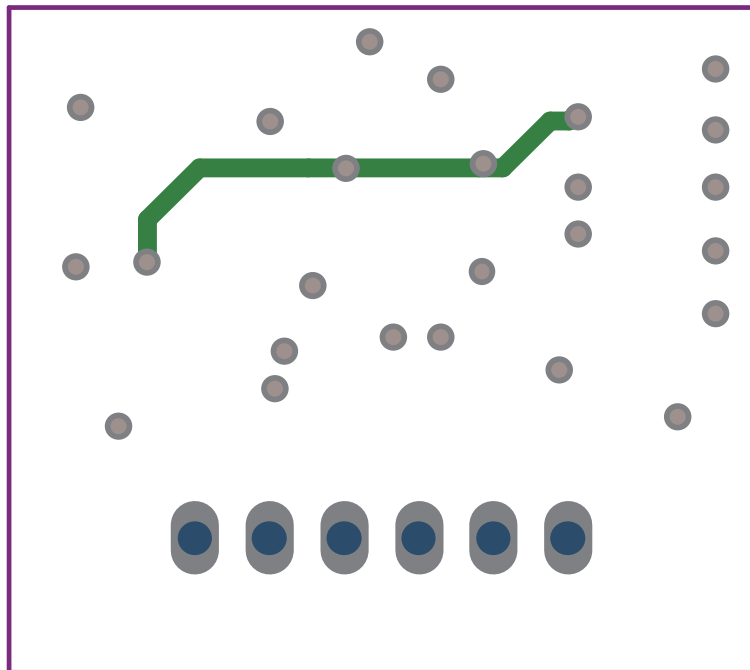
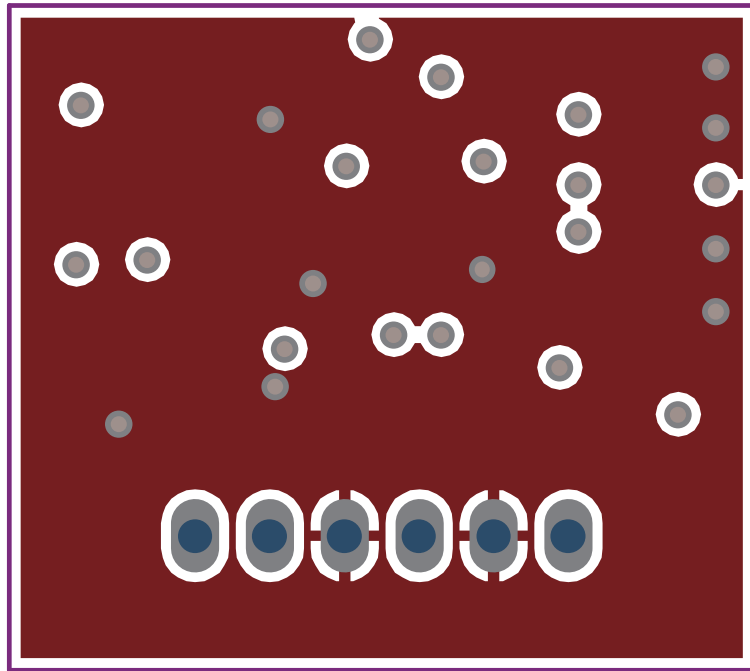
C368 & C388 MDC BOARD



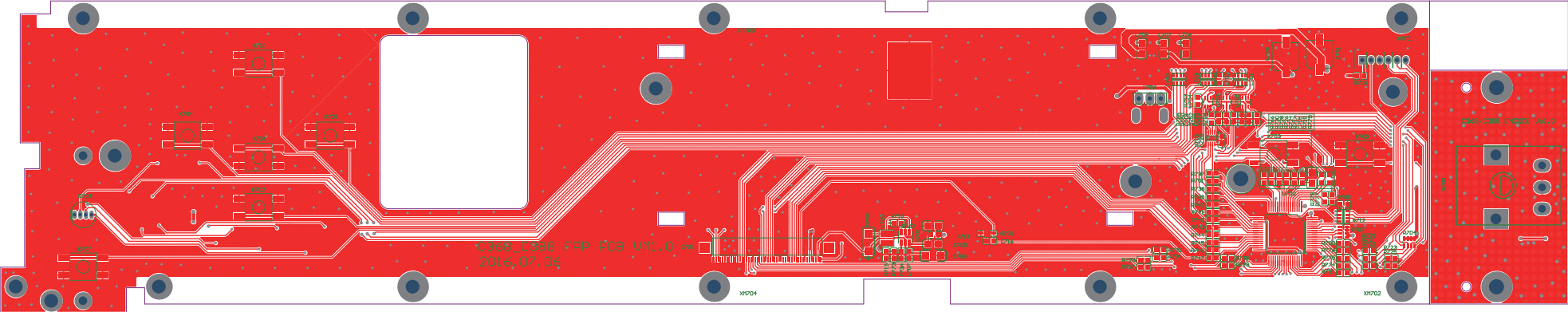
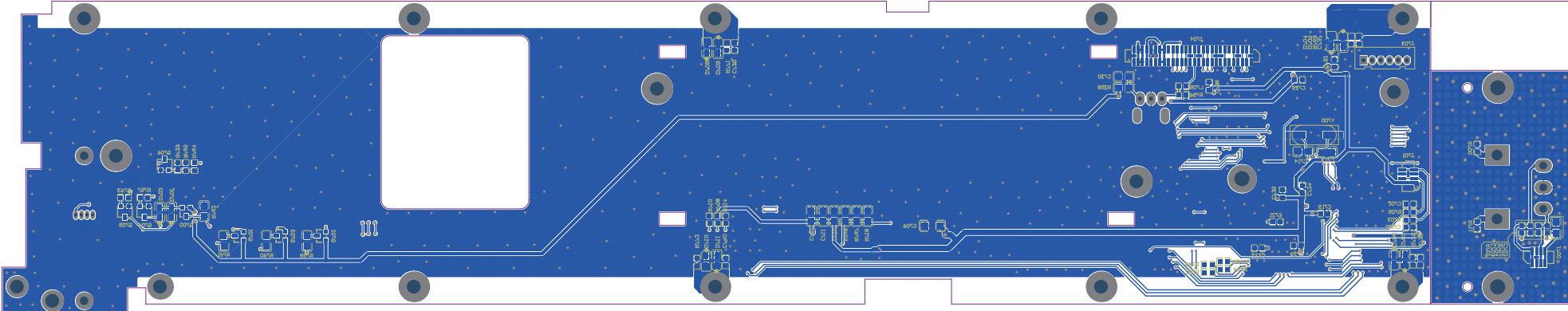
C368 & C388 AUDIO SENSE BOARD



C368 & C388 AUDIO SENSE INTERNAL BOARD

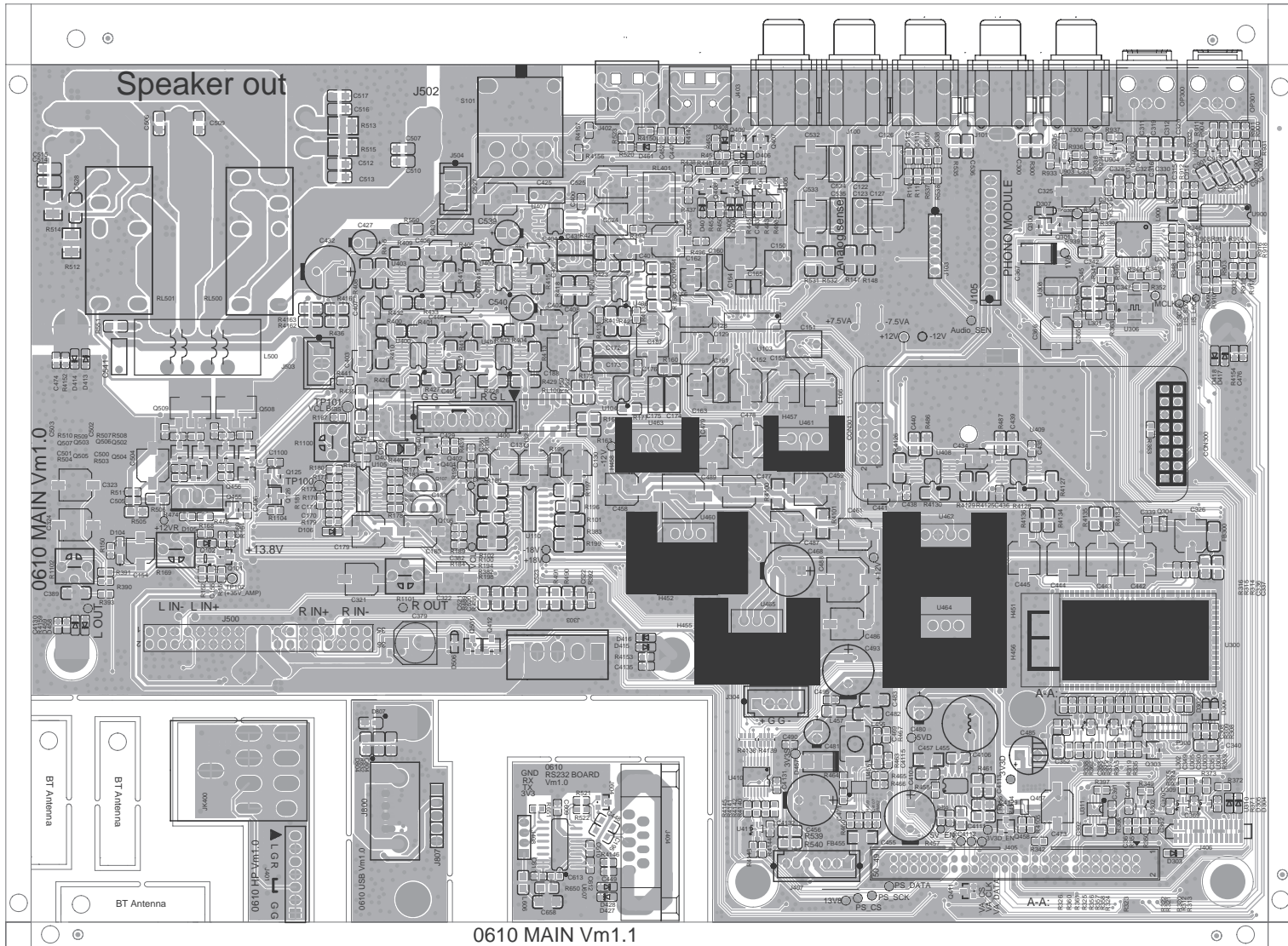


C368 & C388 FFP BOARD



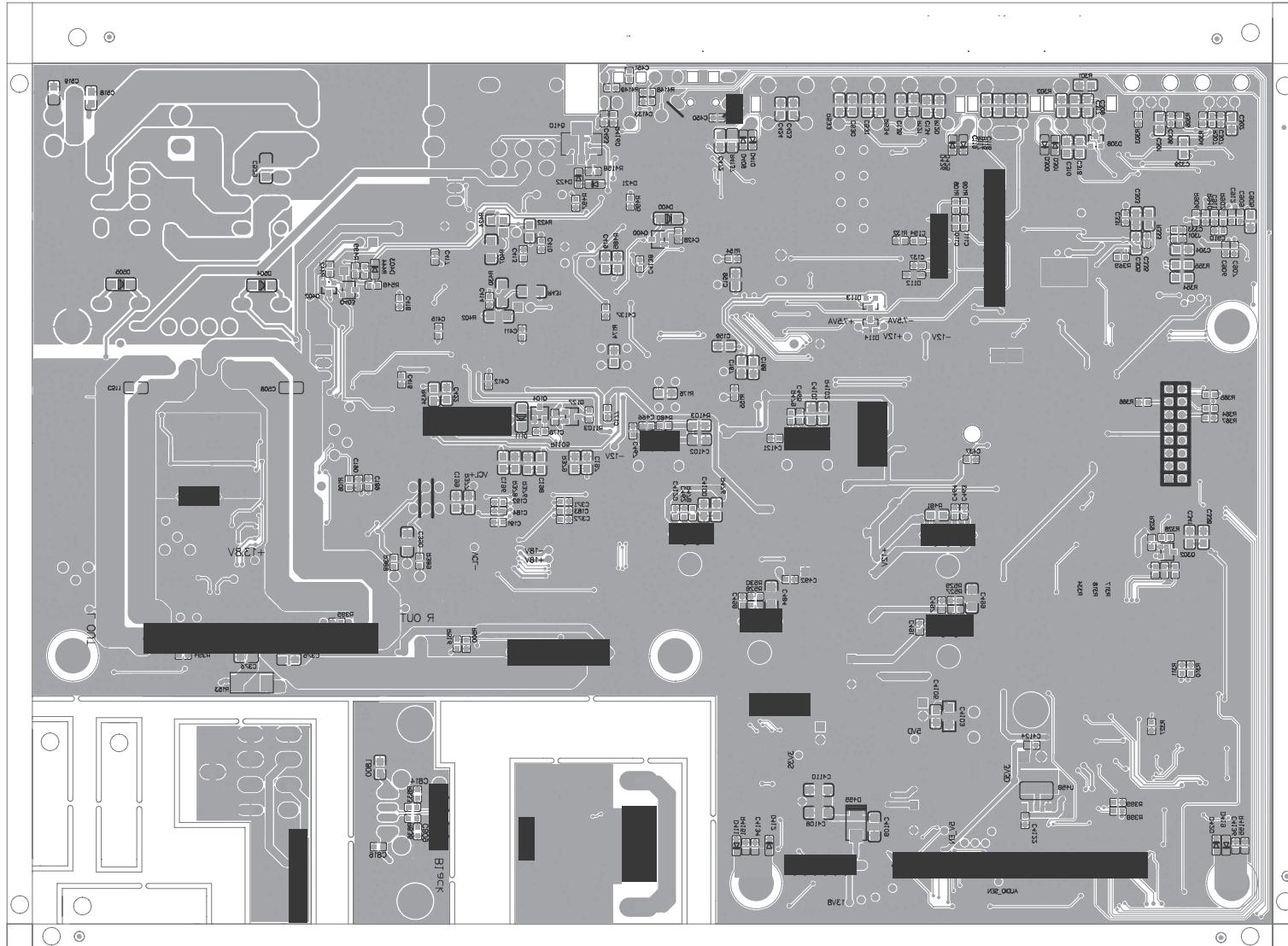
C368 MAIN BOARD

TOP LAYER

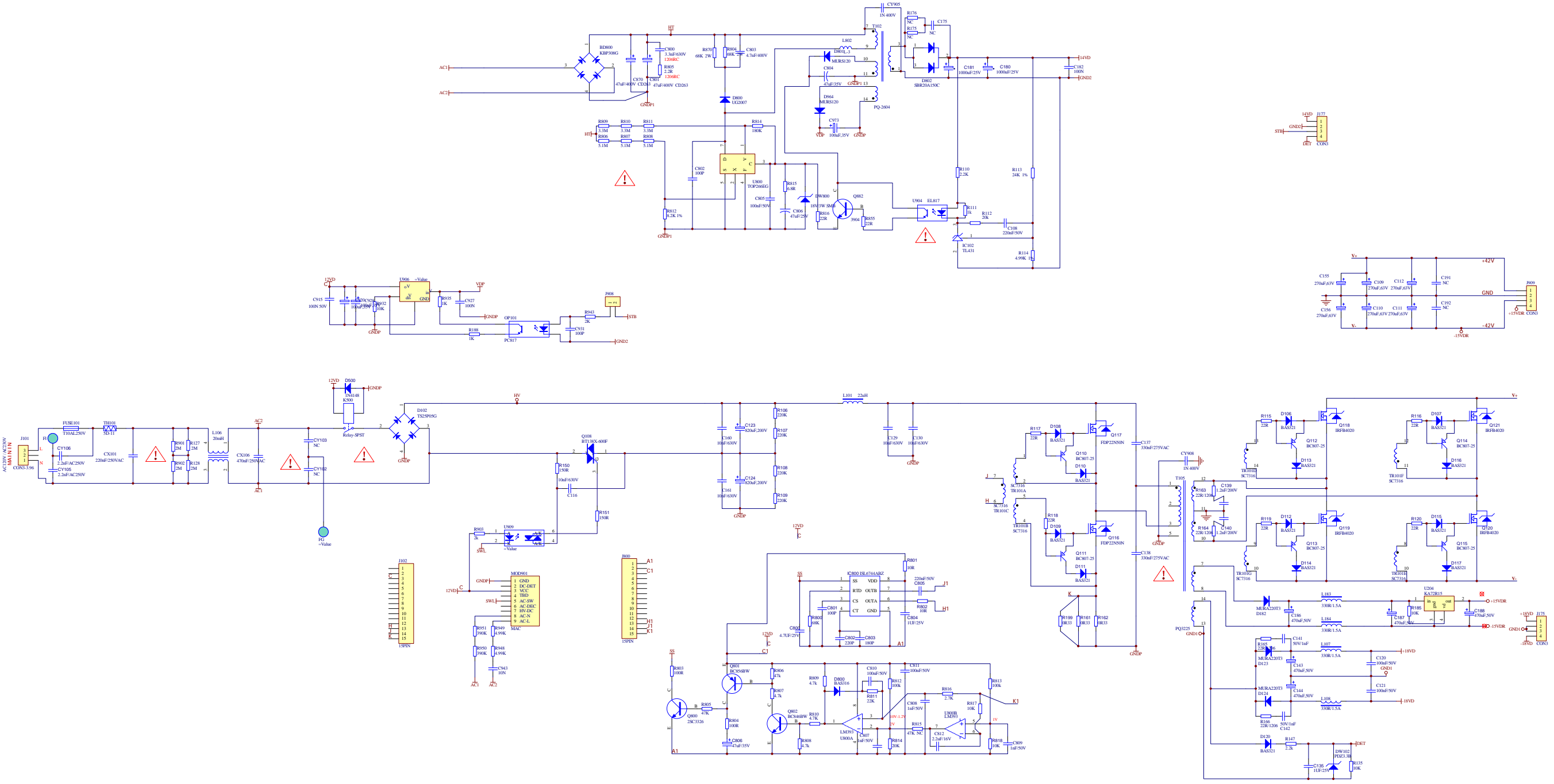


C368 MAIN BOARD

BOTTOM LAYER



Power Supply



ELECTRICAL PARTS LIST

01-1-061001	UcD102 Module		
01-1-061002	Main BOARD		
02-1-061002	Main BOARD SMT		
05-4-061002-2S	Main Board PCB	VM2.0,FR-4,1.6mm,245?70mm	
05-3-061002-2S	MAIN+USB+HP+RS232 +BT ASSY	VM2.0,FR-4,1.6mm255?87mm	1xMAIN,1xusb,1xHP,1xRS232,1xBT
12-1-000022	High speed Diode	1N4148W-NR	D111, D400, D401, D505, D504
12-1-000231	Schottky Diode	BAT54S, SOT23	D402
12-1-000016	Schottky Rectifier Diode	BAT54J	D421
12-1-000021	Diodes	1SS355TE-17	D105, D106, D300, D301, D403, D404, D405, D406, D407, D408, D409, D410, D411, D412, D413, D414, D415, D416, D417, D418, D419, D420, D422, D458, D459, D461, D425, D426
12-1-000186	SCHOTTKY DIODE	B240A-13-F	D457
12-1-000010	Surface Mount Schottky Barrier Rectifier	SS12 SMA	D455
12-1-000068	Zener Diode SMD	BZT52C15,15V,350mW	D104
12-1-000019	Switch Diode	BAV99-7-F	D113, D114
13-1-000036	N-CHANNEL JFET	MMBFJ108,SOT23	Q127
or 13-1-000120	N-CHANNEL JFET	MMBF4391LT1G	Q127
13-1-000004	Digital transistor	DTA114EKA	Q126
13-1-000005	Digital transistor	DTC114EKA	Q125
13-1-000018	P-CH MOSFET	APM2301	Q304,Q457
13-1-000013	transistor	BCM 856S	Q102
13-1-000004	Digital transistor	DTA114EKA	Q403, Q404, Q501, Q502, Q503
13-1-000005	Digital transistor	DTC114EKA	Q104, Q302, Q303, Q400, Q402, Q455, Q458, Q505, Q504, Q412
13-1-000021	PNP Transistor	ZX5T955G	Q410
13-1-000045	Transistor	FZT493	Q509, Q508
13-1-000279	Transistor	2SC3326-A,LF	Q401, Q406, Q407, Q408, Q409, Q506, Q507, Q411
or 13-1-000108	Transistor	2SC3326-A(TE85L,F), SC-59	Q401, Q406, Q407, Q408, Q409, Q506, Q507, Q411
13-1-000016	Transistor	2SA1312GR(TE85L,F) TO-236MOD	Q101
11-1-000798	DC/DC Switching Converters	TPS54040DGQR	U456
11-1-000803	STEP DOWN SWITCHER	TPS54327DDAR	U455
11-1-000293	ESD protect	TPD2E009DBZR	D308
11-1-000245	Audio Attenuator	NJW1194V-TE1	U103
11-1-001030	Dual OpAmp	CLC2059	U104, U406, U407, U408, U409
11-1-000019	Dual OPAMP	NE5532ADR	U400, U401, U402, U403
11-1-000266	QUAD OPAMP	OPA1654	U105, U110
11-1-000011	Linear Regulator	TLV1117LV33DCY	U458
11-1-001090	Linear Regulator	TLV1117LV18DCY	U308
11-1-000008	Shift Register	74HC595PW,118	U410
11-1-000562	2:1 multiplexer	NC7SV157P6X	U303, U304, U305
11-1-000009	SCHMITT DRIVER	NC7WZ17P6X	U302, U309, U310, U411
11-1-000455	SRC	SRC4382IPFB	U301
11-1-001214	monostable multivibrator	SN74LVC1G123DCTR	U311
11-1-000087	Buffer	SN74AHC1G125DCKR	U901, U902
11-1-000621	Digital Audio Receiver	CS8416-CZZ	U900

21-1-000001	Chip resistor	0 ,0603, ±5%	R188, R310, R311, R312, R313, R314, R315, R316, R317, R318, R319, R364, R365, R366, R367, J301, R4149, R498, R933, R934
21-1-000002	Chip resistor	0 ,0805	R550, R551, R4163
21-1-000027	Chip resistor	100K ,0603	R1104
21-1-000032	Chip resistor	10M ,0603	R1103
21-1-000011	Chip Resistor	3.3 ,0603,1/10W,±5%	R4156
21-1-000013	Chip Resistor	3.9 ,0603,1/10W,±5%	R4157
21-1-000410	Chip Resistor	4.7 ,0603,1/10W,±5%	R306, R307
21-1-000035	Chip resistor	10 ,0603,1/10W,±1%	R184, R185, R189, R190, R374, R4147, R4148, R4151, R4152, R4153, R4154, R4155, R4159
21-1-000078	Chip resistor	33 ,0603,1/10W,±1%	R320, R321, R322, R323, R324, R325, R326, R371, R372, R373, R375, R4143, R4144, R4145, R397, R901, R907, R911
21-1-001103	Chip resistor	47 ,0603,1/10W,±1%	R346, R347, R348, R349, R350, R351, R352, R353
21-1-001163	Chip resistor	51 ,0603,1/10W,±1%	R464, R465
21-1-000019	Chip resistor	100 ,0603,1/10W,±1%	R334, R335, R336, R337, R338, R339, R340, R341, R342, R343, R4131, R4132, R4141, R4142, R151, R152, R171, R178, R903, R905
21-1-000040	Chip resistor	120 ,0603,1/10W,±1%,RC0603FR-07120RL	R344, R345, R369
21-1-000057	Chip Resistor	220 ,0603,1/10W,±1%	R446, R447, R448, R449
21-1-000853	Chip resistor	243 ,0603,1/10W,±1%	R478
21-1-000057	Chip resistor	220 ,0603,1/10W,±1%	R479, R480, R527, R528
21-1-000022	Chip resistor	1K ,0603,1/10W,±1%,RC0603FR-071KL	R309, R332, R445, R509, R508, R450, R451, R452, R453, R516, R523
21-1-000757	Chip resistor	2K ,0603,1/10W,±1%	R4158
21-1-000072	Chip resistor	2.7K ,0603,1/10W,±1%	R179, R180
21-1-001563	Chip resistor	2.87K ,0603,1/10W,±1%	R529, R530
21-1-000924	Chip resistor	3K ,0603,1/10W,±1%	R902
21-1-001046	Chip resistor	4.02K ,0603,1/10W,±1%,RC0603FR-074K02L	R164
21-1-000088	Chip resistor	4.7K ,0603,1/10W,±1%	R154, R155, R504, R510, R503, R507, R439, R440, R441, R398, R399
21-1-000024	Chip resistor	10K ,0603,1/10W,±1%,RC0603FR-0710KL	R182, R183, R327, R328, R329, R363, R466, R4104, R4105, R4140, R4150, R500, R511, R4160, R166, R474, R457, R396, R900, R904, R912, R909, R910
21-1-000716	Chip resistor	18K ,0603,1/10W,±1%,	R167
21-1-000061	Chip resistor	22K ,0603,1/10W,±1%,RC0603FR-0722KL	R362, R150, R494, R495, R496, R497
21-1-000953	Chip resistor	31.6K ,0603,1/10W,±1%	R467
21-1-001594	Chip resistor	43K ,0603,1/10W,±1%, RC0603FR-0743KL	R168
21-1-000090	Chip resistor	47K ,0603,1/10W,±1%,RC0603FR-0722KL	R170, R356, R357, R358, R359, R360, R361, R442, R455, R906, R908, R913, R916
21-1-001243	Chip resistor	62K ,0603,1/10W,±1%,RC0603FR-0762KL	R520
21-1-000027	Chip resistor	100K ,0603,1/10W,±1%,RC0603FR-07100KL	R443, R444, R459, R499, R475, R437, R438
21-1-000027	Chip resistor	100K ,0603	R181
21-1-000043	Chip resistor	120K ,0603,1/10W,±1%,	R106
21-1-000697	Chip Resistor	165K ,0603,1/10W,±1%,RC0603FR-07115KL	R462
21-1-000991	Chip Resistor	332K ,0603,1/10W,±1%, RC0603FR-07365KL	R460
21-1-000965	Chip Resistor	330K ,0603,1/10W,±1%,	R172, R173
21-1-000092	Chip Resistor	470K ,0603,1/10W,±1%,	R132
21-1-000800	Chip Resistor	2.2M ,0603,1/10W,±1%	R108, R109, R110, R111, R537, R538

21-1-000002	Chip resistor	0 ,0805, ±5%	R506, R539
21-1-000036	Chip Resistor	10 ,1/8W,±1%,0805	R333, R505
21-1-001186	Chip Resistor	54.9 ,1/8W,±1%,0805	R354, R355
21-1-001316	Chip Resistor	75 ,1/8W,±1%,0805	R301, R302
21-1-000020	Chip Resistor	100 ,1/8W,±1%,0805	R156, R157, R158, R160, R300, R436, R4133, R4134, R4135, R4136, R4137, R193, R194, R195, R196, R535
21-1-000023	Chip Resistor	1K ,1/8W,±1%,0805	R159, R161, R162, R163
21-1-000554	Chip Resistor	1.1K ,0805,1/8W,±1%,	R4102, R4103
21-1-000148	Chip Resistor	10K ,0603,1/10W,±5%,RC0603JR-0710KL	R548
21-1-000055	Chip Resistor	2K ,0805,1/8W,±1%,	R476
21-1-000108	Chip Resistor	6.8K ,0805,1/8W,±1%,	R174, R175, R176, R177, R422, R423, R424, R425
21-1-000025	Chip Resistor	10K ,0805,1/8W,±1%	R434, R435
21-1-000062	Chip Resistor	22K ,0805,1/8W,±1%	R481, R376, R377, R378, R379, R484, R485
21-1-000822	Chip Resistor	22.1K ,0805,1/8W,±1%	R456
21-1-001211	Chip Resistor	56.2K ,0805,1/8W,±1%,RC0805FR-0756K2L	R120, R121, R486, R487, R533, R534
21-1-001321	Chip Resistor	78.7K ,0805,1/8W,±1%	R463
21-1-000604	Chip Resistor	124K ,0805,1/8W,±1%	R461
21-1-000898	Chip Resistor	270K ,0805,1/8W,±1%	R116, R117
21-1-000811	Chip resistor	22 ,1206,1/4W,±1%,RC1206FR-0722RL	R426, R427, R428, R429, R430, R431, R432, R433
21-1-000037	Chip Resistor	10 ,1206,1/4W,±1%	R4100, R4101
21-1-000501	Chip Resistor	1k ,1206,1/4W,±1%,	R100, R101, R382, R383
21-1-001561	Chip Resistor	2.4k ,1206,1/4W,±1%,	R102, R197, R198, R199
21-1-001331		MMF204FRE820R,820 ,1/4W,±1%	R402, R407
21-1-000501	Chip Resistor	1K ,1206,1/4W,±1%	R147, R148, R531, R532, R420, R421
21-1-001569	Chip Resistor	3.92K ,0805,1/8W,±1%	R488, R489, R490, R491
21-1-000818	Chip Resistor	2.21K ,1206,1/4W,±1%	R4125, R4126, R4127, R4128, R4129, R4130,
21-1-001027	Chip Resistor	3.9K ,1206,1/4W,±1%	R400, R401, R403, R404, R405, R406, R408, R409, R410, R411, R412, R413, R414, R415, R416, R417
21-1-000763	Chip Resistor	20K ,1206,1/4W,±1%,RC1206FR-0720KL	R418, R419
21-1-000100	Chip Resistor	50m ,1W,±1%	R153
21-1-000006	Chip Resistor Network	100 ,±5%,R0603X4	R4138, R4139
23-1-000362	Chip capacitor	220pJ,50V,0603,NPO	C191, C192, C371, C372
23-1-000022	Chip capacitor	1nJ,50V,0603,NPO	C347, C353, C433, C501, C4115,
23-1-000368	Chip capacitor	2n2K,50V,0603,X7R	C155
23-1-000024	Chip capacitor	10nK,25V,0603,NPO	C313, C314, C315, C316, C495
23-1-000025	Chip capacitor	10nK,50V,0603,X7R,CC0603KRX7R9B B103	C110, C111, C112, C113, C169, C428, C429, C4133, C194, C537, C538
23-1-000051	Chip capacitor	22nK,50V,0603,X7R	C349, C350, C351, C474, C476, C4130, C4134, C4135, C4136, C910
23-1-000521	Chip capacitor	47nK,50V,0603,X7R	C469

23-1-000034	Ceramic Chip Capacitor	100nK,50V,0603,X7R	C176, C177, C178, C189, C190, C306, C307, C308, C331, C332, C333, C334, C335, C339, C344, C365, C369, C370, C400, C410, C411, C412, C413, C414, C415, C416, C417, C418, C435, C436, C437, C438, C447, C462, C463, C464, C465, C466, C467, C471, C490, C496, C4120, C4121, C4122, C4124, C4129, C4131, C4132, C4137, C4138, C503, C505, C502, C491, C492, C497, C498, C391, C902, C906, C907, C912, C913, C914
23-1-000539	Ceramic Chip Capacitor	470nK,50V,0603,X7R	C171
23-1-000269	Ceramic Chip Capacitor	1uF,25V,?%,0603,X5R	C170, C183, C184, C4107, C381, C382
23-1-000724	Ceramic Chip Capacitor	1uK,50V,0805,X7R,CL21B105KBFNN NE	C4112
23-1-000038	Ceramic Chip Capacitor	10uK,10V,0603,X5R/C1608X5R1A106 KT000E	C137
23-1-000285	Ceramic Chip Capacitor	10uK,25V,0805,X5R,C2012X5R1E106 KT000N	C193
23-1-000543	Ceramic Chip Capacitor	4.7uK,16V,0805,X7R	C345, C346, C352
23-1-000037	Ceramic Chip Capacitor	10uK,10V,0805	C301, C302, C303, C304, C305, C340, C341, C342, C4100, C4101, C4102
23-1-000183	Ceramic Chip Capacitor	10PJ,50V,0805,NPO	C4113
23-1-000436	Ceramic Chip Capacitor	30PJ,50V,0805,NPO	C327, C328, C329, C330
23-1-000016	Ceramic Chip Capacitor	100pJ,50V,0805,NPO,C2012C0G1H10 1JT	C134, C135, C419, C420, C421, C422, C423, C424, C439, C440,
23-1-000591	Ceramic Chip Capacitor	680P,50V,0805,	C392
23-1-000311	Ceramic Chip Capacitor	1.2nJ,50V,0805,NPO	C158, C159
23-1-000457	Ceramic Chip Capacitor	3n3K,50V,0805,NPO	C4111
23-1-000450	Ceramic Chip Capacitor	330PnJ,50V,0805,NPO	C520, C521, C522, C523
23-1-000026	Chip capacitor	10nK,50V,0805,NPO	C309, C310, C311, C312, C336, C900, C901, C903, C904, C905
23-1-000382	Chip capacitor	22nK,50V,0805,X7R	C300, C472, C536
23-1-000251	Chip capacitor	100nJ,50V,0805,X7R,CC0805JRX7R9 BB104	C167, C168, C317, C318, C319, C320, C337, C338, C4104, C4105, C4106, C375, C376
23-1-000763	Chip capacitor	220nJ,50V,0805,X7R,CC0805KKX7R9 BB224	C196, C197, C198, C199
23-1-000224	Ceramic Chip Capacitor	10nK,50V,1206,X7R	C4110
23-1-000049	Ceramic Chip Capacitor	2200pF,100V,NPO,0805	C506, C509, C511, C516, C517, C518, C519, C507, C508, C510, C512, C513, C514, C515
23-1-000190	Ceramic Chip Capacitor	100pF 200V NPO 1206	C528, C529
23-1-000404	Ceramic Chip Capacitor	2.2uK,25V,X7R,1206	C4108, C4109
23-1-000282	Ceramic Chip Capacitor	10uK,16V,1206,X7R,C3216X7R1C106 K	C482, C483, C4103
23-1-000286	Ceramic Chip Capacitor	10uK,25V1206,	C484, C499
23-1-000286	Ceramic Chip Capacitor	10uF, 25V, X5R, 1206, C3216X5R1E106KT	C457
23-1-000744	Chip Tan Electrolytic Capacitor	10uF,16V,? 20%.3528.T494B106K016AT	C164
23-1-000775	Chip Tan Electrolytic Capacitor	100uF 6.3V,? 20%.593D107X06R3C2TE3	C367

23-1-000118	Chip Tan Electrolytic Capacitor	1uF, 50V, 20%, 4*5.4	C162, C163
23-1-000001	Chip Alu Electrolytic Capacitor	10uF,16V,?0%,105 °C,VZH100M1C0406-TR0	C401, C402, C403, C404, C405, C406, C407, C408, C409, C434, C441, C446
23-1-000088	Chip Alu Electrolytic Capacitor	10uF,35V,?0%,105 °C,4x5.4,VE- 100M1VTR-0405	C130, C131, C132, C133, C154
23-1-000158	Chip Alu Electrolytic Capacitor	47uF,25V,?0%,105 °C, VZH470M1ETR-0605	C179, C180
23-1-000003	Chip Alu Electrolytic Capacitor	VZH series,100uF,?0%,16V,105 °C,CAE6.3?7	C152, C153, C165, C166, C187, C188, C366, C473, C478, C479
23-1-000005	Chip Alu Electrolytic Capacitor	100uF,25V,?0%,105 °C, VZH101M1ETR-0607	C126, C127, C128, C129, C442, C443, C444, C445, C458, C459, C461, C477, C504, C524, C525, C526, C527, C486, C487, C532, C533
23-1-000007	Chip Alu Electrolytic Capacitor	220uF,16V,?0%,105 °C.VZH221M1C0607-TR0	C325, C326
23-1-000139	Chip Alu Electrolytic Capacitor	220uF,25V,?0%,105 °C.VZH221M1ETR-0810	C488, C489
23-1-000105	Electrolytic Capacitor SMD	100uF,35V,?0%,105 °C.VZH101M1VTR-0810	C379
24-1-000023	Chip Ferrite Bead	MPZ2012S101A	L457
24-1-000006	Chip Ferrite Bead	742792662, 1000ohm@100MHz,I _{max} =600mA	L301, L302
24-1-000016	Power Inductor	10uH,3A,GPSR0730-100M 7.2*6.6mm	L456
24-1-000027	Ferrite Bead SMD	100R/100MHz,CBG321609U101T	FB300
24-1-000288	Ferrite Bead SMD	390R/100MHz 2A	FB455, L900
14-1-000082	Oscillator	SRTD3T-24.576MHZ TR	U306
26-1-000003	Signal Relay	HFD4/12-SR	RL100, RL400, RL401
43-1-000050	Connector Socket	1.0mm,14Pin,,CNT-JX1.0-B2-14PLT	J406
43-1-000223	FPC Connector SMD	1.0mm,1*6Pin,1.0B-6PLB-P	P300
13-2-000055	Transistor	C1815-GR	Q107
13-2-000044	Transistor	A1015-GR TO-92	Q106
23-2-000765	Metallized Polyester Film Capacitor	CL23B-250V-473JR, C242E473J20A201	C541
23-2-000658	Metallized Polyester Film Capacitor	CL23B-50V-104J RA,100nF	C122, C123, C534, C535
23-2-000698	Metallized Polyester Film Capacitor	CL23B-50V-184JR, C241H184J20A201	C160, C161
23-2-000681	Metallized Polyester Film Capacitor	120n,CL23B-63V-124JR, C241J124J20A201	C172, C173, C174, C175, C425, C426, C430, C431
23-2-000016	Metallized Polyester Film Capacitor	CL23B-50V-334J RA,330nF	C150, C151
23-2-000335	Alu Electrolytic Capacitor	HCN,220uF,6.3V,?0%,105 °C,F2.5 Pitch=2.5mm,6.3*10mm	C485, C481
23-2-000514	Alu Electrolytic Capacitor	CD263,470u,25V,? 20%,F5.0,10*12.5mm	C432, C455, C456
23-2-000530	Alu Electrolytic Capacitor	CD263,470uF,50V,? 20%,F5.0,10*20mm	C493, C468
23-2-000309	Alu Electrolytic Capacitor	220uF,10V,?0%,105 °C,F2.5,ULR227M1AE08RRX0CR	C480
23-2-000108	Alu Electrolytic Capacitor	CD263X,100uF,16V,?0%,105 °C,F2.5 尺寸: 5*11.5mm	C539 C540
05-4-061115-2S	Adjustable Regulator PCB 1	VM2.0,FR-4,1.6mm,15.5*24mm	U460, U462,U464, U465

05-3-061115-2S	PHONO BOARD ASSM	VM2.0,FR-4,1.6mm,125.5?06mm	
05-4-061117-2S	Adjustable Regulator PCB 2	VM2.0,FR-4,1.6mm,10.2*15.3mm	U461, U463
05-3-061115-2S	PHONO BOARD ASSM	VM2.0,FR-4,1.6mm,125.5?06mm	
11-2-000033	3-Terminal Adjustable Regulator	LM317T	U463, U464
11-2-000038	Regulator	LM337T	U460, U461, U465
11-2-000126	3-Terminal Regulator	KA78R12CTU/KA278R12CTU	U462
61-1-000401-0	heatsink	HS4-C350-B009V1-M008	H457, H458(U461,U463)
65-0-000068	Self Tapping Screw	BTB3?, B	
61-2-061104-1	heatsink	6063 T5	H455, H456(U464, U465)
61-2-061110-0	Heat Sink	6063-T5	H451H452(U462,U460)
65-0-000078	Self Tapping Screw	BTB3?0	
65-0-000101	Machine Screw	MB3?0	
65-0-000021	Springwasher M3 DIN127B	M3	
65-0-000403	Screw insulator	3	
13-2-000011	P-ch MOSFET	IRF9Z34NPBF	Q456
24-2-000043	Inductance	10uH, GCP1014-100M	L455
24-2-000004	common mode Inductor	T22*14*6.35-15uH	L500
22-2-000101	Variable Resistor	5K ,±10%,3362P-1-502LF	R1100
22-2-000136	Variable Resistor	100K ,±10%,3362P-1-104LF	R169
26-2-000022	SPK Relay	JQX-115F/012-2ZS4	RL500, RL501
25-2-000108	Toggle Switch	5MD1S102AM6QES	S101
42-2-000042	Test Pin	CNT-M254-1*1-GS-GS-6/3-N	TP100, TP101
46-0-000040	6RCA	RCA2-W-R 2 heads,AV2-8.4-13PB1	J300
46-0-000049	2孔RCA	AV2-8.4-13/PB2,	J101
46-0-000092	6RCA	6 heads,AV6-8.4-13	J100
46-0-000574	Optical Receive	DLR21G0	OP300, OP301
46-0-000351	DUAL 3.5 HEADPHONE	SJ-3541-6P	J402
46-0-000002	Phone Jack	SJ-3541-5P	J403
OR	Phone Jack	SCJ351-DS SW	J403
43-2-000157	SOCKET	XHB 2.5A-4A/TJC3-4A	J304
43-2-000005	Connector Socket	XHB 2.5A-7A/TJC3-7A	J400
43-2-000435	SOCKET	HY-7A,2.0mm,7pin	J407
43-2-000314	Connector Socket	VH-05AW,3.96mm,5pin	J303
43-2-000436	Connector	PH2.0,2*25Pin,CNT-B200-2*25-GS-2.8-N	J405
43-2-000262	2.54 Connector	2.54mm,2*18Pin,,3F85R2118S5BYE2	J500
43-2-000237	Connector	CNT-F254-2*8-GS-850-N, 2.54mm, 2X8Pin	CON300
43-2-000205	Connector	CNT-F254-2*5-GS-850-N, 2.54mm, 2X5Pin	CON301
46-0-000151	Binding Post	HD-301-2	same as C388
46-0-000434	Binding Post	HD-301-2	same as C388
92-0-000024S	Heat Shrinking Tube	4.CB-HFT,	
71-1-061103-1	Binding Post Bracket	ABS765B	
or 71-1-061103-1Y	Binding Post Bracket	ABS765B	same as C388
62-1-061001-0	BDP Pin(L)	H62 T=1.0	
62-1-061002-0	BDP Pin(S)	H62 T=1.0	
75-0-000016	PCB Spacer	LCI-11	
05-4-061016-2S	briquetting PCB	VM2.0,FR-4,1.6mm,7?8.5mm	

05-3-061002-2S	MAIN+USB+HP+RS232 +BT ASSY	VM2.0,FR-4,1.6mm255?87mm	1xMAIN,1xusb,1xHP,1xRS232,1xBT
61-1-061001-0	AL spacer	AL 6063 H3.5	
01-2-053702	BT MAIN BOARD		U300
01-2-061103	DAC MODULE		
02-1-061103	DAC MODULE	SMT	
05-4-061103-1S	DAC Board PCB	VM1.0,FR-4,1.6mm	
05-2-061103-1S	DAC Board ASSM	4拼1,VM1.0,FR-4,1.6mm.145.8*66.6mm	
11-1-001091	Digital to analog convertor	PCM1795DBR	U1521
11-1-000128	Opamp	OP275GSZ	U1501, U1502
11-1-000794	Dual OpAmp	LME49725MA	U1509
11-1-000010	Regulator	AMS1117-5.0	U1503
11-1-000065	Dual OpAmp	TL082BCDR	U1508
OR	Dual OpAmp	OPA2131UA	U1508
23-1-000051	Chip capacitor	0603, 22NF, 50V, X7R	C1519, C1548
23-1-000034	Ceramic Chip Capacitor	100nK,50V,0603,X7R	C1517, C1546, C1707, C1708, C1712, C1713, C1720, C1731, C1732, C1733
23-1-000269	Chip capacitor	1uF,25V,?0%,0603,X5R	C1563, C1564
23-1-000023	Chip capacitor	0805, 1nF, 50V, NPO	C1541
23-1-000311	Chip capacitor	0805, 1.2NF, 50V, NPO 5%	C1582, C1583, C1584, C1585
23-1-000374	Chip capacitor	0805, 2.2NF, 50V, NPO 5%	C1558, C1559, C1561, C1562
23-1-000596	Chip capacitor	6.8nF,25V,?,0805,NPO	C1502, C1503, C1574, C1575, C1651, C1652
23-1-000403	Chip capacitor	2.2uFK, 25V X5R, 0805	C1586
23-1-000279	Chip capacitor	10uFK, 10V, X5R 0805	C1501
23-1-000060	Chip capacitor	22U/6V3 X5R 0805	C1500
23-1-000637	Chip Tan capacitor	100uF,6.3V,20%,3528	C1554, C1806
23-1-000008	Chip Alu capacitor	33U/16V E5*5.4	C1504
23-1-000128	Chip Alu capacitor	VES-25V220ME55R, 22uF, 25V, ? 20%. 105°C. 5*5.4	C1807, C1808
23-1-000637	Chip Tan capacitor	100UF 6.3V 20%	C1809, C1810
21-1-000129	Chip resistor	10 ,0805,1/10W,±5%	R1588
21-1-000134	Chip resistor	100 ,0603,1/10W,±5%,RC0603JR-07100RL	R1727
21-1-000148	Chip resistor	10K ,0603,1/10W,±5%,RC0603JR-0710KL	R1500, R1501, R1728
21-1-000088	Chip resistor	4.7K ,0603,1/10W,±1%,RC0603FR-074K7L	R1524, R1525, R1586, R1587
21-1-000030	Chip resistor	1M ,0603,1/10W,±1%,RC0603FR-071ML	R1526, R1527
21-1-000135	Chip resistor	100 ,0805,1/8W,±5%,RC0805JR-07100RL	R1584, R1585
21-1-000957	Chip resistor	330 ,0805,1/8W,±1%,RC0805FR-07330RL	R1520, R1521, R1522, R1523, R1552, R1553, R1554, R1555, R1536, R1537, R1538, R1539
21-1-001328	Chip Resistor	820 ,0805,1/8W,±1%,RC0805FR-07820RL	R1504, R1505, R1507, R1508
42-2-000180	Connector	CNT-M254-2*8-GS-6/3-N, 2.54mm, 2X8Pin	CON1503
42-2-000176	Connector	CNT-M254-2*5-GS-6/3-N, 2.54mm, 2X5Pin	CON1504
01-2-061113	PHONO BOARD		
02-1-061113	PHONO BOARD	SMT	
05-4-061113-2S	PHONO BOARD	VM2.0,FR-4,1.6mm	
05-2-061113-2S	PHONO BOARD ASSM	,VM2.0,FR-4,1.6mm,25.5?4mm	

11-1-000265	Dual OPAMP	OPA1652	U102
21-1-001747	Chip Resistor	137K ,1206,1/4W,±1%, RC1206FR-07137KL	R139, R140
21-1-000957	Chip Resistor	330 ,1/8W,±1%,0805	R118, R119
21-1-001195	Chip Resistor	56K ,0805,1/8W,±1%	R114, R115
21-1-000380	Chip Resistor	47 ,1206,1/4W,±1%	R143, R144
21-1-000787	Chip Resistor	220 ,1206,1/4W,±1%,RC1206FR-07220RL	R137, R138
21-1-000501	Chip Resistor	1K ,1206,1/4W,±1%,RC1206FR-071KL	R145, R146
21-1-000558	Chip Resistor	11K ,1206,1/4W,±1%	R141, R142, R135, R136
21-1-000614	Chip Resistor	13K ,1206,1/4W,±1%	R133, R134
21-1-000036	Chip Resistor	10 ,1/8W,±1%,0805	R112, R113
23-1-000016	Ceramic Chip Capacitor	100pJ,50V,0805,NPO,C2012C0G1H101JT	C146, C147
23-1-000005	Chip Alu Electrolytic Capacitor	100uF,25V,70%,105 °C, VZH101M1ETR-0607	C124, C125,, C138, C139, C140, C141,
23-1-000034	Ceramic Chip Capacitor	100nK,50V,0603,X7R	C114, C116
23-1-000171	Chip Alu Electrolytic Capacitor	470uF,16V,70%,105 °C,8*10mm.VZH471M1C0810-TR0	C115, C117
23-2-000629	Metallized Polyester Film Capacitor	ASS21,1nF,250V,?,Pitch=3.2mm	C148, C149
23-2-000792	Polypropylene Film Capacitor	ASS21,6.8nF,100V,?,Pitch=3.2mm	C144, C145
23-2-001325	Metallized Polypropylene Film Capacitor	CBB21-63V-243F,1%,pitch=7.5mm,C311J243F3PY750	C142, C143
92-0-000210	Teflon	18AWG-L	C148, C149, C144, C145
23-2-000658	Metallized Polyester Film Capacitor	CL23B-50V-104J RA,100nF	C120, C121,
42-2-000279	Connector	PH2.54,1*10Pin,DIP,CNT-M254-1*10-GD-2.5/2.5/3-N	J106
63-2-061110-0	Phono Bracket	SECC-N5 T=1	
65-0-000530	Self Tapping Screw	STB2.6?	
01-2-061104	AUDIO SENSE BOARD		
02-1-061104	AUDIO SENSE BOARD	SMT	
05-4-061104-1S	AUDIO SENSE BOARD PCB	VM1.0,FR-4,1.6mm	
05-2-061104-1S	AUDIO SENSE BOARD ASSM	20拼1,VM1.0,FR-4,1.6mm,110*102mm	
11-1-000938	Dual OPAMP	OPA2348AIDCNT	U1, U2
12-1-000022	Switch Diode	1N4148W-NR	D1, D2
13-1-000076	Transistor	BC856B-7-F	Q1
21-1-000001	Chip Resistor	0 ,0603, ±5%	R1, R2
21-1-000019	Chip Resistor	100 ,0603,1/10W,±1%,RC0603FR-07100RL	R22
21-1-001154	Chip Resistor	5.1K ,0603,1/10W,±1%,RC0603FR-075K1L	R23
21-1-000072	Chip Resistor	2.7K ,0603,1/10W,±1%,RC0603FR-072K7L	R9,
21-1-000024	Chip Resistor	10K ,0603,1/10W,±1%,RC0603FR-0710KL	R11, R19, R20
21-1-000656	Chip Resistor	15K ,0603,1/10W,±1%	R15, R16
21-1-000027	Chip resistor	100K ,0603,1/10W,±1%,RC0603FR-07100KL	R6, R7, R13, R14
21-1-001270	Chip resistor	680K ,0603,1/10W,±1%,RC0603FR-07680KL	R4, R5
21-1-001488	Chip resistor	820K ,0603,1/10W,±1%,RC0603FR-07820KL	R10
23-1-000012	Ceramic Chip Capacitor	10pJ,50V,0603,NPO,C1608C0G1H100JT	C4
23-1-000034	Ceramic Chip Capacitor	100nK,50V,0603,X7R	C6, C7, C10, C11
23-1-000035	Ceramic Chip Capacitor	1uF,16V, 10%,X7R ,0603	C3, C14, C15

23-1-000037	Ceramic Chip Capacitor	10uF,0805,10V,C0805C106M8PACTU/ C2012X5R1A106M	C5, C9
42-2-000100	Connector	2.0mm,6pin, CNT-M200-1*6-GD-3/3/2- 2	J1
01-1-061005	HP BOARD		
05-4-061005-2S	HP Board PCB	VM2.0,FR-4,1.6mm,26*39.5mm	
05-3-061002-2S	MAIN+USB+HP+RS232 +BT ASSY	VM2.0,FR-4,1.6mm,255*87mm	1xMAIN,1xusb,1xHP,1xRS232,1xBT
46-0-000114	6.35耳机插口	CK-6.35-02-9P	JK400
44-0-001516	Cable	UL2547#24AWG*3C/UL1007#22AWG, L=480mm	CZ401
01-1-061014	RS232 BOARD		
02-1-061014	RS232 BOARD	SMT	
05-4-061014-2S	RS232 BOARD PCB	VM2.0,FR-4,1.6mm,33*1.8mm	
05-3-061002-2S	MAIN+USB+HP+RS232 +BT ASSY	,VM2.0,FR-4,1.6mm,255*87mm	1xMAIN,1xusb,1xHP,1xRS232,1xBT
11-1-000391	RS232 Interface	3V-5V RS-232, SP3232EEN-L/TR	U607
or 11-1-001043	RS232 Interface	MAX3232ESE+,SO-16	U607
23-1-000034	Ceramic Chip Capacitor	100nK,50V,0603,X7R	C449, C609, C610, C611, C612, C613
23-1-000192	Low ESL Feed Through	CKD510X5R1H101ST/NFM21CC101U 1H3 0805.X5R,100p,50V	C448, C195
23-1-000277	Ceramic Chip Capacitor	1206, 10uF, 16V, X5R, ?0%	C658
21-1-000001	Chip Resistor	0 ,0603,1/10W,±1%	R521, R522
21-1-000035	Chip resistor	10 ,0603,1/10W,±1%	R4146
21-1-000019	Chip Resistor	100 ,0603,1/10W,±1%	R651
21-1-000129	Chip Resistor	10 ,0805,1/10W,±1%	R650
12-1-000021	Switch Diode	1SS352(TPH3,F),1SS355TE-17	D427, D428
24-1-000045	Chip Ferrite Bead	742792096, 1000ohm@100MHz,Imax=1000mA	L606
46-0-000243	PORT	DB9, 7906-9-F-B	J404
44-0-001780	Cable	UL2547#24AWG*3C,2.0mm,L=300mm	J408
01-1-061006	USB BOARD		
02-1-061006	USB BOARD	SMT	
05-4-061006-2S	USB BOARD PCB	VM2.0,FR-4,1.6mm19*4mm	
05-3-061002-2S	MAIN+USB+HP+RS232 +BT ASSY	,VM2.0,FR-4,1.6mm,255*87mm	1xMAIN,1xusb,1xHP,1xRS232,1xBT
23-1-000038	Ceramic Chip Capacitor	10uK,10V,0603,X5R/C1608X5R1A106 KT000E	C816
23-1-000223	Ceramic Chip Capacitor	10nK,50V,0805,X7R	C804
21-1-000001	Chip Resistor	0 ,0603,1/10W,±1%	R833, R836
21-1-000036	Chip Resistor	10 ,0805,1/8W,±1%,RC0805FR- 0710RL	R832
12-1-000021	Switch Diode	1SS352(TPH3,F),1SS355TE-17	D804, D807
24-1-000014	Inductor SMD	10uH, ?0%, 0805	L800
46-0-000209	USB Socket	GL56S04-04A	J800
44-0-001517	Cable	UL2547#24AWG*3C/UL1007#24AWG, L=230mm	J807
01-1-061016	FPP BOARD		

02-1-061107	FPP BOARD	SMT	
05-4-061107-2S	FPP Board PCB	VM1.1,FR-4,1.6mm329.5*72mm	
05-3-061107-2S	FPP+Encode Board ASSM	VM1.1,FR-4,1.6mm,371.5*82mm	?
11-1-001215	MCU	STM32F030RCT6	U700
11-1-001216	LED Driver	KTD253EHD-TR	U701
11-1-000009	TinyLogic UHS Dual Buffer with Schmitt Trigger	NC7WZ17P6X	U702, U704, U705
11-1-000196	Buffer	NC7NZ34K8X	U703
12-1-000021	Switch Diode	1SS355TE-17	D701, D702, D704, D705, D706, D707, D708, D709, D710, D711
12-1-000038	ESD Protector	PESDNC3D5VB.5.0V	G700
12-1-000224	Diode Schottky	B340LA-13-F	D700
13-1-000279	Transistor	2SC3326-A,LF	Q706
OR 13-1-000108	Transistor	2SC3326-A(TE85L,F), SC-59	Q706
13-1-000004	Digital transistor	DTA114	Q700, Q701, Q702, Q703
13-1-000005	Digital Transistor	DTC114EKA	Q704, Q705
24-1-000037	Chip Bead	74279205 1000ohm@100MHz	L707, L708
24-1-000190	Bead	E11206FBA6018R	L701, L703, L704
24-1-000006	Chip Ferrite Bead	742792662, 1000ohm@100MHz,Imax=600mA	L702, L705
24-1-000092	Inductor SMD	744032220,22uH,?0%,1210	L700
23-1-000355	Ceramic Chip Capacitor	22pJ,50V,0805,NPO	C713, C714
23-1-000022	Ceramic Chip Capacitor	1nJ,50V,0603,NPO,C1608C0G1H102J T	C716
23-1-000028	Ceramic Chip Capacitor	100nF,16V 0603, X7R,?0%	C707, C717, C718, C719, C720, C721, C722, C723, C724, C729, C732, C735, C736
23-1-000024	Ceramic Chip Capacitor	10nJ,25V,0603,NPO,C1608C0G1E103 JT00N	C700, C701
23-1-000051	Ceramic Chip Capacitor	22nK,50V,0603,X7R	C737, C738, C739, C740
23-1-000543	Ceramic Chip Capacitor	4.7uK,16V,0805,X7R	C730
23-1-000256	Ceramic Chip Capacitor	1uK,16V,0805,X7R	C705
23-1-000015	Ceramic Chip Capacitor	100pJ,50V,0603,NPO,C1608C0G1H10 1JT	C725, C733
23-1-000071	Ceramic Chip Capacitor	47uK,10V,1206,X5R,GRM31CR61A47 6ME15L	C706
23-1-000233	Ceramic Chip Capacitor	100nK,16V,0805,X7R	C709, C715, C710
23-1-000399	Ceramic Chip Capacitor	2u2F,16V 0805, X7R	C711, C712
23-1-000400	Ceramic Chip Capacitor	2.2uK,16V,1206,X7R,C3216X7R1C225 KT	C708
23-1-000007	Chip Alu Electrolytic Capacitor	220uF,16V,?0%,105 °C,VZH221M1C0607-TR0	C728, C731
21-1-000001	Chip Resistor	0R	R708, R710, R714, R716
21-1-000148	Chip Resistor	10K ,0603,1/10W,±5%,RC0603JR- 0710KL	R717, R756, R765, R773
21-1-000160	Chip Resistor	1M ,0603,1/10W,±5%,RC0603JR- 071ML	R719
21-1-000007	Chip Resistor NET	?0R% 0603?	R704, R707
21-1-000809	Chip Resistor	22 ,0603,1/10W,±1%,RC0603FR- 0722RL	R713
21-1-001248	Chip Resistor	62 ,0805,1/8W,±1%,RC0805FR- 0762RL	R759, R761
21-1-000023	Chip Resistor	1K ,0805,1/8W,±1%,RC0805FR- 071KL	R760
21-1-000019	Chip Resistor	100 ,0603,1/8W,±1%,RC0805FR- 07100RL	R706, R737, R738, R750, R752, R753, R754, R755
21-1-000020	Chip Resistor	100 ,0805,1/8W,±1%,RC0805FR- 07100RL	R758
21-1-000656	Chip Resistor	15K ,0603,1/10W,±1%	R764
21-1-000149	Chip Resistor	10K ,0805,1/8W,±5%,RC0805JR- 0710KL	R762
21-1-000141	Chip Resistor	1K ,0603,1/10W,±5%,RC0603JR- 071KL	R715, R757, R763
21-1-000008	Chip Resistor	100K ,0603,1/10W,±5%,RC0603JR- 07100KL	R709

21-1-000041	Chip Resistor	1.2K ,0603,1/10W,±1%,RC0603FR-071K2L	R703, R705
21-1-000010	Chip Resistor Network	33??%, 0603?	R712
21-1-000323	Chip Resistor	33 ,0603,1/10W,±5%,RC0603JR-0733RL	R720, R721, R722, R723, R724, R725, R726, R727, R728, R729, R730, R731, R732, R739, R740, R741, R742, R743, R744, R745, R746, R747, R748, R749, R751, R766, R774, R775, R776, R777, R778, R779, R780, R781
21-1-000129	Chip Resistor	10 ,0805,1/8W,±5%,RC0805JR-0710RL	R718
21-1-000128	Chip Resistor	10 ,0603,1/10W,±5%,RC0603JR-0710RL	R769, R770, R771, R772
43-1-000028	FPC/FFC Connector	1.0mm, 4Pin, GL76S05-04	J701
43-1-000072	FPC/FFC Connector	FPC PH1.0mm, 28P SMTGL76S06-28	J704
43-1-000165	FPC/FFC Connector	0.5mm ,50PIN ,(0.5-11-50PBS-A-P)	J702
14-1-000064	Crystal SMD	8.000MHZ,HC-49/SMD8.0000MHz 18pF/ECS-80-18-5PX-TR	Y700
25-1-000034	Switch	DTSM-62N-V-TIR	K700, K701, K702, K703, K704, K705, K706, K707
11-2-000005	IR Receiver	HS0038BD	U706
31-0-000028	TFT	TFT3P3605-E	
12-2-000444	LED	L5T8REBW-HS	D703
63-2-004802-1	Tin plated	TIN plated T=0.3mm	U800
63-1-004802-1	Tin plated	TIN plated T=0.3mm	U800
43-2-000002	Connector Socket	6PIN 2.0mm PH 2.0A-6A	J703
71-1-061105-1	TFT Bracket	ABS	
or 71-1-061105-1Y	TFT Bracket	ABS	
65-0-000003	Self Taping Screws	BTB3?	TFT(2)
92-0-000314	Gasket	14??0mm	
01-1-061111	Encode BOARD		
02-1-061111	Encode BOARD	SMT	
05-4-061111-2S	Encode Board PCB	VM1.1,FR-4,1.6mm,54*32mm	
05-3-061107-2S	FPP+Encode Board ASSM	,VM1.1,FR-4,1.6mm,371.5*82mm	
21-1-000024	Chip Resistor	10K ,0603,1/10W,±1%	R701, R702
21-1-000148	Chip Resistor	10K ,0603,1/10W,±5%	R700, R711
23-1-000037	Ceramic Chip Capacitor	10uF,0805,10V,C0805C106M8PACTU	C702
23-1-000028	Ceramic Chip Capacitor	100nF,16V 0603, X7R, ?0%	C703, C704
43-1-000028	FPC/FFC Connector	1.0mm, 4Pin, GL76S05-04	J700
22-2-000104	Encoder	RE160F-40E3-20A-24P-N	S700
01-1-061012	MDC BOARD		
02-1-061012	MDC BOARD SMT		

05-4-061112-1S	MDC BOARD PCB	Vm1.0,FR-4,1.6mm	
05-2-061112-1S	MDC BOARD ASSM	2拼1,Vm1.0,FR-4,1.6mm,;222?38mm	
11-1-000202	Reset Chip	APX803-29SAG-7	U606
11-1-001093	MCU	TM4C1290NCPDTT3	U605
11-1-000169	Octal Buffer	SN74LV541APWR	U202, U203
OR	Octal Buffer	SN74LVC541APWR	U202, U203
11-1-000558	BUFFER	NC7SZ125P5X	U204, U205
11-1-000230	1A(3.3v)	AMS1117-3.3	U608
11-1-000015	BUS EEPROM	24LC64-I/SN	U602
11-1-000009	TinyLogic UHS Dual Buffer with Schmitt Trigger	NC7WZ17P6X	U224, U225, U226, U600, U601, U228, U229, U230
11-1-000375	USB SWITCH	TS3USB3000RSER	U207
11-1-000562	2:1 multiplexer	NC7SV157P6X	U208, U209, U222
11-1-000116	High-Speed USB 2.0 (480 Mbps) 1:2 Multiplexer/Demultiplexer Switch With Single Enable	TS3USB221ARSER	U223
11-1-001092	DC/DC	XRP7675IDBTR-F	U206
11-1-001217	SMBus Switch	TCA9546APWR	U210
11-1-000196	Buffer	NC7NZ34K8X	U231
12-1-000110	Zener Diode	3.6V, 0.5W LL34	D456, D457, D614
12-1-000121	Zener Diode	4.7V, 0.5W LL34	D615
12-1-000021	Switch Diode	1SS352(TPH3,F),1SS355TE-17	D600, D601, D602, D603, D604, D605, D606, D607, D608, D610
13-1-000018	P-Channel Enhancement Mode MOSFET	APM2301CAC	Q205, Q206, Q207, Q208, Q603
13-1-000004	Digital transistor	DTA114EKA	Q604, Q608, Q609
13-1-000005	Digital Transistor	DTC114EKA	Q200, Q201, Q202, Q203, Q204, Q600, Q601, Q610, Q606, Q607
13-1-000017	Transistor	C1815	Q605
24-1-000082	Ferrite Bead SMD	180R/100MHz,3A,1210,CBW322513U 181T	FB200, FB201
24-1-000288	Ferriet bead	BLM31PG391SN1,390R/100MHz 2A	L200, L602
24-1-000006	Chip Ferrite Bead	742792662, 1000ohm@100MHz,Imax=600mA	L207, L208, L209, L600
24-1-000045	Chip Ferrite Bead	742792096, 1000ohm@100MHz,Imax=1000mA	L603, L604, L605
24-1-000016	Power Inductor	10uH,3A,GPSR0730-100M 7.2*6.6mm	L201
23-1-000046	Ceramic Chip Capacitor	20pJ,50V,0603,NPO	C635, C634
23-1-000022	Ceramic Chip Capacitor	1nJ,50V,0603,NPO	C227, C276
23-1-000025	Ceramic Chip Capacitor	10nK,50V,0603,X7R	C615, C655
23-1-000514	Ceramic Capacitor SMD	4.7nK,50V X7R,0603	C639

23-1-000051	Ceramic Chip Capacitor	22nK,50V,0603,X7R	C273, C274, C275, C600, C601, C602, C603, C605
23-1-000034	Ceramic Chip Capacitor	100nK,50V,0603,X7R	C212, C213, C214, C215, C228, C229, C230, C271, C633, C643, C645, C647, C649, C651, C654, C607, C608, C616, C617, C618, C619, C620, C621, C622, C623, C624, C625, C626, C627, C629, C631, C632, C283, C284, C285
23-1-000457	Ceramic Chip Capacitor	3n3K,50V,0805,NPO	C280
23-1-000026	Ceramic Chip Capacitor	10nJ,50V,0805,NPO	C226
23-1-000054	Ceramic Capacitor SMD	2.2uK, 0603, 10V, X5R,CC0603KRX5R6BB225	C272, C604, C630
23-1-000389	Ceramic Chip Capacitor	220nF,16V, X7R, 0603	C267, C282
23-1-000241	Ceramic Chip Capacitor	100nK,25V,0805,X7R	C279
23-1-000382	Ceramic Chip Capacitor	22nK,50V,0805,X7R	C268
23-1-000548	Ceramic Capacitor SMD	4.7uK,25V,X5R,0805	C277
23-1-000546	Ceramic Capacitor SMD	4.7uK, 25V, X7R, 1206.C3216X7R1E475KT	C218, C219, C225
23-1-000395	Ceramic Capacitor SMD	220nF,10%,50V,X7R,1206,C3216X7R1H224KT	C216, C217
23-1-000037	Ceramic Capacitor SMD	10uF,0805,10V, X5R	C221, C278, C628
23-1-000277	Ceramic Chip Capacitor	1206, 10uF, 16V, X5R, ?0%	C224
23-1-000286	Ceramic Chip Capacitor	10uF, 25V, X5R, 1206, C3216X5R1E106KT	C200, C201, C202, C203, C204, C205, C206, C207
23-1-000151	Alu Electrolytic Capacitor	HVM,330uF,6.3V,?0%,105 °C	C223, C650
23-1-000092	Chip Alu Electrolytic Capacitor	VSS or CS Series,100uF,10V,?0%,85 °C	C653
23-1-000100	Chip Alu Electrolytic Capacitor	VES101M1CTR-0605,100uF,16V,? 20%,85°C,尺寸: 6.3*5.3mm	C652
23-1-000102	Alu Electrolytic Capacitor	100uF, 25V, ?0%,CAE8X10	C210, C211
23-1-000007	SMD Electrolytic Capacitor	220uF,16V,?0%,105 °C,VZH221M1C0607-TR0	C646, C648
23-1-000005	Chip Alu Electrolytic Capacitor	100uF,25V,?0%,105 °C VE,1101M1E0806-TR0	C220, C222, C644
12-1-000038	SMT ESD PROTECTOR	PESDNC3D5VB,5.0V	R259, R260, R261, R262, R263, R264, R265, R266
21-1-000001	Chip Resistor	0 ,0603, ±5%	R204, R205, R206, R207, R208, R209, R217, R218, R219, R220, R229, R230, R235, R626, R627, R643, R644, R645, R243, R244, R245, R246, R247, R248, R249, R250, R251, R252, R280, R281, R282, R683, R690, R691, R693, R695
21-1-000003	Chip Resistor	0 ,1206,1/4W,±5%	R239
21-1-000035	Chip Resistor	10 ,0603,1/10W,±1%	R600, R601, R602, R603, R620, R619
21-1-000323	Chip Resistor	33 ,0603,1/10W,±5%,RC0603JR-0733RL	R268, R269, R270, R271, R272, R611, R612, R613, R670, R671, R672, R673, R674, R638, R682, R634, R635
21-1-000324	Chip Resistor	33 ,0805,1/8W,±5%,RC0805JR-0733RL	R668
21-1-000019	Chip Resistor	100 ,0603,1/10W,±1%	R231, R232, R233, R234, R273, R642, , R675, R284, R285, R286, R287, R288, R289, R290, R291, R292, R610
21-1-000556	chip resisitor	11K ,0603,1/10W,±1%, RC0603FR-0711KL	R212

21-1-001159	Chip Resistor	51K Ω ,0805,1/8W, \pm 1%,RC0805FR-0751KL	R213
21-1-000075	Chip Resistor	3.3K Ω ,0603,1/10W, \pm 1%,RC0603FR-073K3L	R636, R637
21-1-000088	Chip Resistor	4.7K Ω ,0603,1/10W, \pm 1%,RC0603FR-0747KL	R277, R278
21-1-000613	Chip Resistor	13K Ω ,0805,1/10W, \pm 1%,	R214
21-1-000024	Chip Resistor	10K Ω ,0603,1/10W, \pm 1%,RC0603FR-0710KL	R200, R201, R202, R203, R241, R242, R253, R254, R614, R615, R616, R617, R628, R629, R630, R646, R653, R656, R657, R658, R660, R676, R677, R678, R679, R680, R681, R518, R519, R609, R694, R696, R684, R685
21-1-000056	Chip resistor	20K Ω ,0603,1/10W, \pm 1%,	R663, R652
21-1-000061	Chip resistor	22K Ω ,0603,1/10W, \pm 1%,RC0603FR-0722KL	R228
21-1-000090	Chip Resistor	47K Ω ,0603,1/10W, \pm 1%,RC0603FR-0747KL	R222, R227, R255, R256, R257, R258, R210, R215, R279
21-1-000713	Chip Resistor	1.8K Ω ,0805,1/8W, \pm 1%,RC0805FR-071K8L	R237, R238
21-1-000027	Chip resistor	100K Ω ,0603,1/10W, \pm 1%,RC0603FR-07100KL	R640, R641
21-1-000588	Chip Resistor	121 Ω ,0805,1/8W, \pm 1%,RC0805FR-07121RL	R236, R267
21-1-000125	R Networks	0 Ω	R240
21-1-000006	R Networks	100 Ω , \pm 5% R0603X4	R607
21-1-000182	R Networks	120R,0603X4,1/10W,?%	R223, R224, R225, R226
21-1-000397	Chip Resistor Network	4.7K Ω , \pm 5%	R624, R625, R631, R632
21-1-000007	Chip Resistor Network	10K Ω	R639
21-1-000393	Chip Resistor	4.7K Ω ,1210,1/2W, \pm 5%,RC1210JR-074K7L	R669
21-1-000716	Chip resistor	18K Ω ,0603,1/10W, \pm 1%,	R686
43-1-000050	FFC Connector	1.0mm,14Pin,CNT-JX1.0-B2-14PLT	J203
43-1-000072	FFC Connector	FPC PH1.0mm, 28P SMT NO ZIF, GL76S06-28	J605
14-1-000043	crystal	25MHz,FL=30PPM,CL=20pF,49SMD M49-25.000-20P-30/30Y	X600
11-2-000117	Low Dropout Voltage Regulator	KA278RA05CTU	U200, U201
43-2-000077	Connector Socket	2pin 2.0mm PH 2.0A-2A	RT300
43-2-000174	Connector Socket	XHB2.5A-5A, Gold plated SIP5A	J202
43-2-000002	Connector Socket	6pin 2.0mm PH 2.0A-6A	J603
43-2-000076	AMR-46pins	EH02311-DCB-DF-W	J200, J201
43-2-000436	Connector	PH2.0,2*25Pin,CNT-B200-2*25-GS-2.8-N	J607
43-2-000080	Connector Socket	PH 2.0A-3A	J600
44-0-001520	Wire	UL2468#26AWG,7P,,L=60mm	J609
44-0-001781	Wire	UL2468#26AWG,6P,,L=80mm	J608
43-2-000088	SOCKET	HY-4A,2.0mm,4pin	J204
63-2-061017-1	MCU Bracket	SECC T=1mm,	
63-1-001010-0	Bracket	SECC-N5, T=1.0mm	
61-2-061108-1	Heatsink	1050 T=2mm	
65-0-000078	Self Tapping Screw	BTB3?0-	
65-0-000021	Springwasher M3 DIN127B	M3	
65-0-000403	Screw insulator	Φ 3	
65-0-000002	Self Tapping Screw	STB3?,	MDC PCB(5)
92-0-000063	Insulated Cushion		
01-1-061009	PSU&PreAMP		
02-1-061009	SMT		
05-1-061009-3S	PSU&PreAMP Board ASSM	VM3.0,FR-4,1.6mm,200*90mm	

11-1-000007	Regulator	TL431BCDBZR	IC102
11-1-000862S	Photo Coupler	EL817S1(B)(TA)-F	OP101, U904
or 11-1-000863S	Photo Coupler	PC817X2NIP	OP101, U904
12-1-000003	Zener Diode	18V, 3W, 5%, SMB	DW800
12-1-000236	Switch Diode	BAS321	D106, D107, D108, D109, D110, D111, D113, D114, D115, D112,
12-1-000012	DIODE SMD	MURS120T3G	D801, D964
12-1-000014	High speed Diode	BAS316	D500
13-1-000158	Transistors	BC807-25	Q111, Q110, Q112, Q114, Q115, Q113
13-1-000114	Transistor	MMBT3904	Q882
12-1-000013	Ultrafast Power Rectifier	MURA220T3G	D123, D124, D182
12-1-000101	Zener Diode	PDZ3.3B	DW102
21-1-000810	Chip resistor	22 ,0805,1/8W,±1%,RC0805FR-0722RL	R115, R116, R117, R118, R119, R120
21-1-000257	Chip resistor	22 ,0805,1/8W,±5%,RC0805JR-0722RL	R816, R855
21-1-000242	Chip Resistor	2K ,0805,1/8W,±5%,RC0805JR-072KL	R943
21-1-000060	Chip Resistor	2.2K ,0805,1/8W,±1%,RC0805FR-072K2L	R110,R147
21-1-000023	Chip Resistor	1K ,0805,1/8W,±1%,RC0805FR-071KL	R935, R111, R188
21-1-000762	Chip resistor	20K ,0805,1/8W,±1%,RC0805FR-0720KL	R112
21-1-001135	Chip resistor	4.99K ,0805,1/8W,±1%,RC0805FR-074K99L	R114
21-1-000844	Chip resistor	24K ,0805,1/8W,±1%,RC0805FR-0724KL	R113
21-1-000025	Chip resistor	10K ,0805,1/8W,±1%,RC0805FR-0710KL	R185, R932, R135
21-1-000811	Chip resistor	22 ,1206,1/4W,±1%,RC1206FR-0722RL	R163, R164, R165, R166
21-1-000646	Chip Resistor	150 ,1206,1/4W,±1%,RC1206FR-07150RL	R150, R151
21-1-000343	Chip Resistor	3.3M ,0805,1/8W, ±5%,RC0805JR-073M3L	R809, R810, R811
21-1-000426	Chip Resistor	5.1M, 0805, 5% RC0805JR-075M1L	R806, R807, R808
21-1-000798	Chip resistor	220K ,1206,1/4W,±1%,RC1206FR-07220KL	R106, R107, R108, R109
21-1-001136	Chip resistor	4.99K ,1206,1/4W,±1%,RC1206FR-074K99L	R949, R948
21-1-000009	Chip Resistor	2M ,1206,1/4W,±5%,RC1206JR-072ML	R127, R128, R901, R902
21-1-000465	Chip Resistor	6.8 ,0805,1/8W,±5%,RC0805JR-076R8L	R815
21-1-001332	Chip Resistor	8.2K ,0805,1/8W,±1%,RC0805FR-078K2L	R812
21-1-001696	Chip Resistor	2512, 0R33, 1%, 1W	R161, R162
21-1-000233	Chip Resistor	180K ,0805,1/8W,±5%,RC0805JR-07180KL	R814
21-1-000086	Chip Resistor	390K ,1206,1/4W,±1%,RC1206FR-07390KL	R950, R951

21-1-000055	Chip Resistor	2K ,0805,1/8W,±1%,RC0805FR-072KL	R903
21-1-000285	Chip Resistor	2.2 ,1206,1/4W,±5%,RC1206JR-072R2L	R805
23-1-000016	Chip capacitor	0805, 100PF, 50V, NPO	C931
23-1-000201	Ceramic Chip Capacitor	1nK,200V,1206,X7R	C141, C142
23-1-000460	Ceramic Chip Capacitor	3.3nK,630V,1206,X7R,C3216X7R2J332K	C800
23-1-000036	Ceramic Chip Capacitor	1uK,25V,0805,X7R	C135
23-1-000249	Chip capacitor	100nK,50V,0805,X7R,C2012X7R1H104KT	C805, C182, C120, C121, C915, C927
23-1-000308	Ceramic Chip Capacitor	1.2nJ,200V,1206,NPO,1206N122J201CT	C139, C140
23-1-000053	Ceramic Chip Capacitor	220nK,50V,0805,X7R	C108
23-1-000027	Chip capacitor	10nK,630V,X7R,1206,1206CC103KAZ1A	C116, C129, C130, C943, C160, C161
or 23-1-000993	Chip capacitor	GRM31BR72J103KW01L, 10NF 630V 120610% X7R	C116, C129, C130, C943, C160, C161
23-1-000886	SMT Capacitor	100pJ,1000V,1206,NPO,CC1206N101J102T	C802
24-1-000130	Ferriet Bead	BLM21AG331SH1D, 330R/100MHz 1.5A,0805	L107, L108, L183, L184
11-2-000026	Power controller IC	TOP268EG	U800
23-2-000852S	Interfernece Suppression Cap	MPX, 470nF, 275VAC, X2, ?0%	C137, C138
23-2-000840S	Interference Suppression Capacitor	MPX,220nF,275VAC,? 10%,X2,PX224K3ID39L27	CX101
23-2-000017S	Hign Voltage Cermatic Capacitor	1nF, 400V(X1), 250V(Y1), ?0% CT81-400VAC-08b-2E4-102M-YA	CY905, CY908
23-2-000815S	High Voltage Ceramic Disc Capacitor	2.2nF, 400V(X1), 250V(Y1),?0%, Pitch=10mm	CY105, CY106
23-2-000018S	Metallized Polyester Film Capacitor	0.47uF,250VAC/(275v),?0%, MPX474K3IE3	CX106
23-2-000760	High Voltage Ceramic Capacitor	CL23B-400V-472KR, C242G472K20A201	C803
23-2-000477	Alu Electrolytic Capacitor	CD263,47uF,400V,?0%,105 °C / RGA470M2GBK-1625	C870, C801
23-2-000881	Alu Electrolytic Capacitor	CD281L,68uF,50V,?0%,105 °C	C804
23-2-000471	Alu Electrolytic Capacitor	CD281L, 47uF, 25V,?0%,105C	C806
23-2-000534	Alu Electrolytic Capacitor	RXK, 470uF,50V,?0%,105 °C, F5.0	C143, C144, C186, C187, C188
23-2-000934	Alu Electrolytic Capacitor	270uF,63V,105°C,10*20,3000h, KTC277M063S1G6H20K	C155, C156, C109, C110, C112, C111
23-2-000193	Alu Electrolytic Capacitor	CD284,1000uF,25V,?0%,105 °C,F5.0	C181, C180
23-2-000866	Alu Electrolytic Capacitor	CD281L,100uF,35V,?0%,105 °C	C920, C928, C973
23-2-000587	Alu Electrolytic Capacitor	HK,820uF,200V,?0%,105 °C	C123, C124
13-2-000065	N-ch POWER MOSFET	FDP22N50N	Q116, Q117
13-2-000076	N-ch POWER MOSFET	IRFB4020PbF	Q118, Q119, Q120, Q121
11-2-000102	Voltage Regulators	KA78R15CTU	U204
11-2-000126	3-Terminal Regulator	KA78R12CTU TO-220F-4L	U906
13-2-000024	16A four-quadrant triacs	BT139X-600E,127	Q108
11-2-000067	ZERO-CROSS OPTOISOLATORS TRIAC DRIVER OUTPUT	MOC3043M	U909
12-2-000005	Bridge Rectifier	TS25P05G 25A/420VRMS	D102
12-2-000117	Rectifier Bridge	KBP308G,3A 800V	BD800
12-2-000087	Ultrafast Rectifier	UG2007	D800
12-2-000299	Ultrafast Rectifier	V20150C-E3/4W	D802
OR 12-2-000062	Ultrafast Rectifier	SBR20A150CT	D802

24-2-000104	INDUCTOR	22uH 3A, MESC-220M-01	L101
24-2-000151	Inductor	FB F10 RHW 3.5*8.3*0.8-T	L802
24-2-000203	Common Inductor	SC7422-145A, 20mH 2A	L106
21-2-000635S	NTC	SCK200710LSY	TH101
21-2-000523	Metal Oxide film Resistor	RY21, 68K , 2W, ±5%,Pitch=5mm	R870, R804
25-2-000271S	Thermal Circuit Brake	ST-22 100°C W TYPE .70mm	TH800
63-1-001802-0	Clamper	65Mn HRC48-52 HS4-C372B009V1M014	TH800
26-2-000003	RELAY	HF36F/012-HST(555), TV-5	K500
24-2-000573S	Transformer	HS-NADC368-ETD34	T105
24-2-000496S	Transformer	HJ-C388-C368-PQ2604D	T102
24-2-000201	Transformer	SC7316-145A	TR101
27-2-000015S	FUSE	0618010.XP,T10AL/250V	FUSE101
27-2-000008	Fuse Holder	HF-004	FUSE101
43-2-000008	Connector Socket	LD7.92A-2A, (VH 3.96A-3A)	J101
43-2-000157	Connector	XHB 2.5A-4A/TJC3-4A	J904
43-2-000366	Connector	HY-6A,2.0mm,6pin	J904
43-2-000009	Connector	VH 3.96A-5A	J909
65-0-000010	Machine Screw	MF3?0	U800
65-0-000069	Self Taping Screws	BTB3?	U906
65-0-000009	Machine Screw	MF3?	Q108, QU204
65-0-000009	Machine Screw	MF3?	D802
65-0-000107	Machine Screw	MB3?4	Q119, Q118, Q120, Q121, Q116, Q117
65-0-000016	Nut	GB6170, M3	Q116, Q117, Q108, D102
75-0-000048	Transistor Washer	TW-4	Q116, Q117, Q118, Q119, Q120, Q121, D802
92-0-000041	Insulated Cushion	SQ9418,	Q116, Q117, Q118, Q119, Q120, Q121, D802
61-2-061106-1	Heatsink	1050, T=3mm	
61-2-061107-2	Heatsink	AL1050, T=3mm	
61-2-061109-0	Heatsink	1050, T=3mm	
75-0-000056	Parts Housing	PTB, TC-21	U800
01-1-061108	PSU-2 BOARD		
02-1-061108	PSU-2 BOARD	SMT	
05-4-061108-1S	PSU-2 PCB	VM1.0,FR-4,1.6mm	
05-2-061108-1S	PSU-2 PCB ASSM	, VM1.0,FR-4,1.6mm127.2*145.4mm	
12-1-000014	High speed Diode	BAS316	D800
13-1-000279	Transistor	2SC3326-A,LF	Q800
or 13-1-000108	Transistor	2SC3326-A(TE85L,F)	Q800

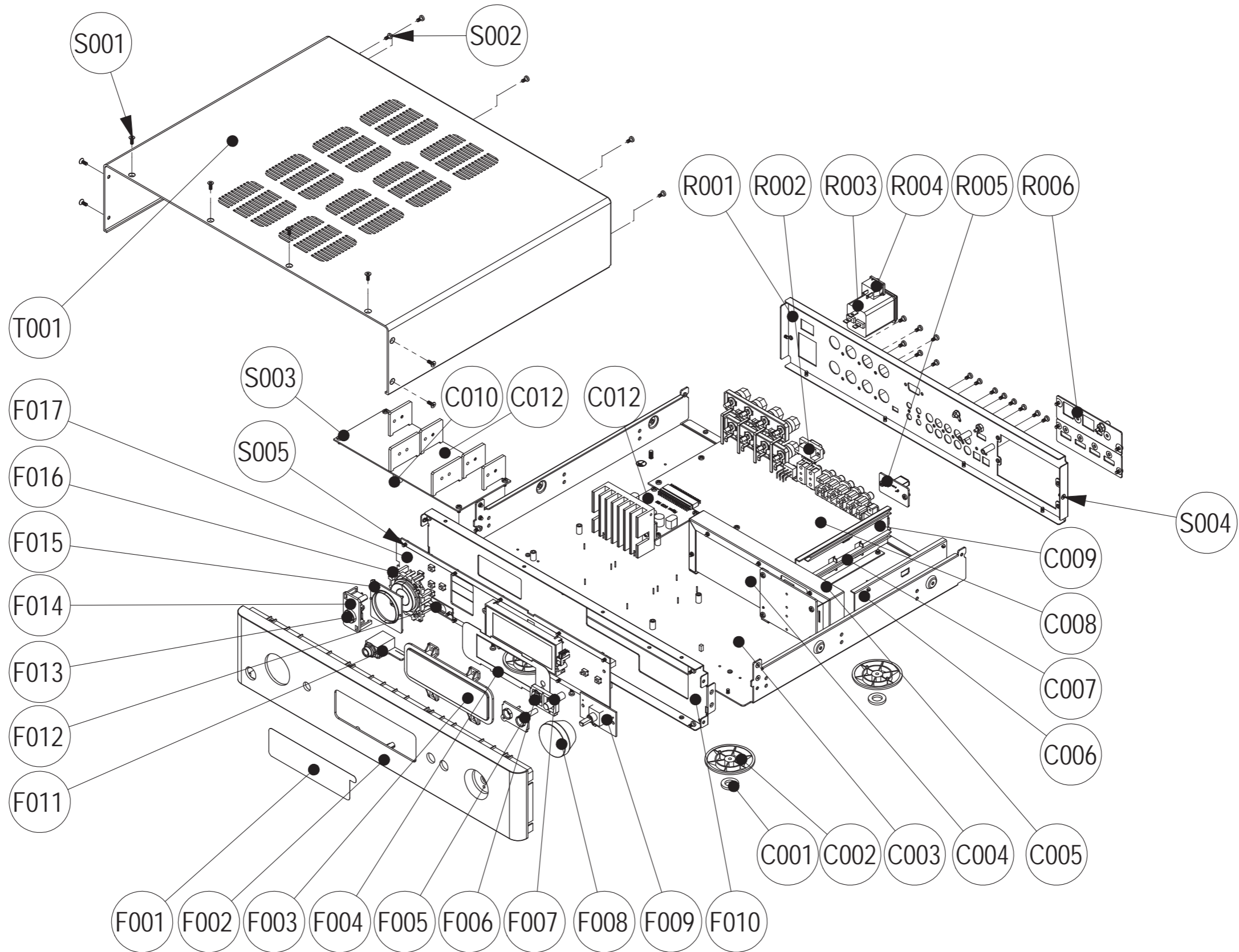
13-1-000010	Transistors	BC846BW 65V 100mA	Q802
13-1-000012	Transistor	BC856BW 65V 100mA	Q801
11-1-000021	IC DRIVER	ISL6744AABZ	IC800
11-1-000005	Dual Differential Comparator	LM393DR	U800
or 11-1-001131	Dual Differential Comparator	LM393D	U800
21-1-000035	Chip Resistor	10 ,0603,1/10W,±1%,RC0603FR-0710RL	R801
21-1-000019	Chip Resistor	100 ,0603,1/10W,±1%,RC0603FR-07100RL	R803, R804
21-1-000072	Chip Resistor	2.7K ,0603,1/10W,±1%,RC0603FR-072K7L	R816
21-1-000088	Chip Resistor	4.7K ,0603,1/10W,±1%,RC0603FR-074K7L	R807, R808, R809, R810
21-1-000024	Chip Resistor	10K ,0603,1/10W,±1%,RC0603FR-0710KL	R817, R818
21-1-000056	Chip Resistor	20K ,0603,1/10W,±1%,RC0603FR-0720KL	R814
21-1-000061	Chip Resistor	22K ,0603,1/10W,±1%,RC0603FR-0722KL	R811
21-1-000090	Chip Resistor	47K ,0603,1/10W,±1%,RC0603FR-0747KL	R805, R806
21-1-001266	Chip Resistor	68K ,0603,1/10W,±1%,RC0603FR-0768KL	R800
21-1-000027	Chip Resistor	100K ,0603,1/10W,±1%,RC0603FR-07100KL	R812, R813
21-1-000036	Chip resistor	10 ,0805,1/8W,±1%,RC0805FR-0710RL	R802
23-1-000015	Ceramic Chip Capacitor	100pJ,50V,0603,NPO,C1608C0G1H101JT	C801
23-1-000342	Ceramic Chip Capacitor	180pJ,50V,0603,NPO	C803
23-1-000364	Ceramic Chip Capacitor	220pF,50V,0603, 10%, X7R	C802
23-1-000022	Ceramic Chip Capacitor	1nJ,50V,0603,NPO,C1608C0G1H102JT	C807, C809, C808
23-1-000034	Ceramic Chip Capacitor	100nK,50V,0603,X7R	C810, C811
23-1-000269	Ceramic Chip Capacitor	1uK,25V,0603,X5R	C804
23-1-000055	Chip capacitor	2.2uK,16V,0603,X7R	C812
23-1-000391	Chip capacitor	220nK,25V,0805,X7R	C805
23-1-000548	Ceramic Chip Capacitor	4.7uFK, 25V X5R, 0805,C2012X5R1E475KT	C800
23-1-000773	Ceramic Chip Capacitor	47uM,25V,1206,X5R, C3216X5R1E476MTJ00E	C806
42-2-000200	Connector	CNT-M200-1*9-GD-3.4-2.4/0-V3.4.5.9	J801
01-2-039604	PSU Dual Voltage Module		MOD901
02-1-039604	PSU Dual Voltage Module	SMT	
05-4-039604-0S	PSU Dual Voltage Module PCB	VM1.1,FR-4,1.6mm,	
05-2-039604-0S	PSU Dual Voltage Module PCB ASSM	45拼1,VM1.1,FR-4,1.6mm,116? 147mm	
12-1-000002	Zener Diode	PDZ12B 12V 0.4W SOD323	D950
12-1-000014	High speed Diode	BAS316	D952
12-1-000016	Schottky Rectifier Diode	BAT54J	D951, D953, D954, D955
13-1-000010	Transistor	BC846BW SOT323	Q952, Q953, Q954, Q955
13-1-000012	Transistor	BC856BW SOT323	Q950, Q951
13-1-000008	Transistor	BC817-40W SOT323	Q956

11-1-000006	Shunt Regulator	TL431CDBZR	U951
11-1-000005	Dual Differential Comparator	LM393DRG3	U950
or 11-1-001131	Dual Differential Comparator	LM393DR2G	U950
21-1-000019	Chip Resistor	100 ,0603,1/10W,±1%,RC0603FR-07100RL	R950
21-1-000118	Chip Resistor	909K ,0603,1/10W,±1%,RC0603FR-07909KL	R951
21-1-000035	Chip resistor	10 ,0603,1/10W,±1%,RC0603FR-0710RL	R954
21-1-000092	Chip resistor	470K ,0603,1/10W,±1%,RC0603FR-07470KL	R956
21-1-000024	Chip Resistor	10K ,0603,1/10W,±1%,RC0603FR-0710KL	R957, R958, R963, R967, R971
21-1-000090	Chip Resistor	47K ,0603,1/10W,±1%,RC0603FR-0747KL	R970
21-1-000022	Chip Resistor	1K ,0603,1/10W,±1%,RC0603FR-071KL	R965, R972
21-1-000027	Chip resistor	100K ,0603,1/10W,±1%,RC0603FR-07100KL	R952, R953, R959, R961, R962, R968, R969
21-1-000053	Chip resistor	180K ,0603,1/10W,±1%,RC0603FR-07180KL	R955, R960, R964
21-1-000072	Chip Resistor	2.7K ,0603,1/10W,±1%,RC0603FR-072K7L	R966
21-1-000063	Chip Resistor	220K ,0603,1/10W,±1%,RC0603FR-07220KL	R974
21-1-000092	Chip Resistor	470K ,0603,1/10W,±1%,RC0603FR-07470KL	R973
23-1-000020	Ceramic Chip Capacitor	1nK,50V,0603,X7R	C955
23-1-000031	Ceramic Chip Capacitor	100nK,25V,0603,X7R,GRM188R71E104KA01D	C950, C953, C954
23-1-000052	Ceramic Chip Capacitor	220nK,25V,0603,X7R,C1608X7R1E224KT	C951, C952
23-1-000070	Ceramic Chip Capacitor	4.7uK,16V,X5R,0805,C2012X5R1C475K	C957
23-1-000058	Chip Capacitor	22uM,10V,1206,X5R,C3216X5R1A226MT	C956
42-2-000002	Connector	CNT-M200-1*9-GD-3.4/2.4/0	J901
01-1-061015	Filtering power board		
05-4-061015-0S	Filtering power board PCB	VM1.0,FR-4,1.6mm,	
05-2-061015-0S	Filtering power board PCB ASSM	20拼1,VM1.0,FR-4,1.6mm,135.2*1779mm	
23-2-000825S	Interfernece Suppression Cap	MPX,0.1uF/275V,13mm*6mm,10%,Pitch=10mm	CX188
23-2-000817S	Pitch=10mm	470pF,400V(X1),250V(Y1),?10%,CT81-400VAC-2B4-08b-471KYA	CY189, CY188
24-2-000082	Common Mode Choke	T12.7*7.9*5-350uH(TIW0.8)	L008
41-0-000005	PCB Terminal	CH-4.8*0.8-1	J186,J187,J188
44-0-000931	Ground Wire	UL1015#14AWG ,KST FDFNYD2-187(8),L=100mm	
92-0-000033S	Heat Shrinking Tube	25,RSFR-H	
27-2-000040S	Fuse	0618005MXP, T5AL/250V	
46-0-000323S	AC Inlet	0717-1-P-Q	
25-2-000126S	ROCKER SWITCH	RF-1003-BB2, 10A 250V, TV-5	
44-0-000985S	1PIN CBALE	UL1672#18AWG.,L=100mm,	Chassis TO AC INLET
24-2-000006	Ferrite Ring	HJ-2208,T22?4? 10K	
44-0-000945S	Wire	UL1672#18AWG,L=80mm	AC INLET TO POWER SWITCH
44-0-001523	IDC Wire	PH2.0,50pin,L=,60mm,CNT-C200-50-60	MDC-main PCB
44-0-001514S	2pin CABLE	UL1672#18AWG.	AC inlet-SMPS
44-0-001515	Connector with wire	UL1007#22AWG-4P,L=150mm	MAIN-SMPS
44-0-001518	Connector with wire	UL1569#16AWG,L=280mm,	MAIN-SMPS
44-0-001521	14PIN CABLE	1.0mm,14pin,L=60mm,,105?(64408-1427-0601)	MDC- MAIN

44-0-000582	FPC Cable	1.0mm, 4Pin., 105? L=60mm, (64401-0427-0601)	Encoder-FPP
44-0-001522	FFC	1.0mm,28pin,L=140mm.,105?(64408-2827-1401)	MDC to FPP
45-2-000098	SMA RF Antenna	K245-510002-A	
45-2-000080	EXTERNAL Antenna	FC6WFI0088A1,L=175+/-5mm	
63-2-061013-1	Chassis	SECC T=1.5mm	
63-2-061014-0	Subfascia	SECC T=1mm	
63-2-061002-1	Top Cover	SECC, T=2mm	
63-2-061015-0	Module Bracket L	SECC T=1.2mm	
63-2-061016-0	Module Bracket R	SECC T=1.2mm	
63-1-007605-0		SECC-N5 T=1.2mm	
63-3-023009-0A	Blank Cover(S)	SECC-N5 T=1.2mm	
63-2-023009-0	Blank Cover(S)	SECC-N5 T=1.2mm	
63-1-023009-0	Blank Cover(S)	SECC-N5 T=1.2mm	
71-3-061001-2BZ	Fascia	ABS 765B	
71-1-061001-2Y	Fascia	ABS 765B	
71-1-061011-1Y	Cursor	ABS +PC	
or 71-1-061011-1	Cursor	ABS +PC	
71-2-061101-1Z	Cursor Frame Bezel	ABS765B	
71-1-061101-1Y	Cursor Frame Bezel	ABS765B	
71-2-061002-4Z	Cursor base	ABS 765B	
71-1-061002-4YM	Cursor base	ABS 765B	
or 71-2-061002-4	Cursor base	ABS 765B	
71-1-061003-0Y	2P Input Button base	ABS 765B	
or 71-1-061003-0	2P Input Button base	ABS 765B	
71-1-061012-0Y	2P Input Button	ABS+pc	
or 71-1-061012-0	2P Input Button	ABS+pc	
71-2-061106-0	2P Input Button Bezel	PC,UL94V-0, similar to 77-124002-2	similar to 77-223001-0(71-2-022301-0)
71-1-061013-0Y	Power Button	ABS+pc	
or 71-1-061013-0	Power Button	ABS+pc	
71-1-061004-0Y	Power Button base	ABS 765B	
or 71-1-061004-0	Power Button base	ABS 765B	
71-3-061107-0A	Power Button Bezel	PC,UL94V-0	
71-2-061005-3Z	Volume Knob Base	ABS765B	
71-1-061005-3Y	Volume Knob Base	ABS765B	
71-1-061021-0Y	Volume Knob	ABS+pc	
71-1-061111-0	Foot		
or 71-1-061111-0Y	Foot	ABS	
91-0-000576	Foot Pad	Poron MX-48HF/Black	
71-1-061121-0Y	VFD Lens	PMMA	
85-151002-0		CG-500,	
83-0-000402	PET Film	PET T=0.07mm	
73-2-061001-0	rubber foot	15,H=10.3mm	

65-0-000069	Self Taping Screws	BTB3?	.UCD102 (2, MDC Braket(4)
65-0-000003	Self Taping Screws	BTB3?	FPP(15),
65-0-000344	Machine Screw	M3?	Amp PCB(6),Power PCB(4),USB PCB(2), UCD102(4)
65-0-000007	Self Tapping Screw	STF3?,	
62-1-000302-0	GRD.Post Cap	C160 HS4-C160-B009V1-M010	
62-1-000301-1	GRD.Post Bolt		
65-0-000017	Nut	GB6170-86, M4	
65-0-000446	Serrated Lock Washer	4	
65-0-000770	Machine Screw	M3X10	
65-0-000405	Washer Washers	GB/T97.1 4,	
75-0-000008		WL3-60T	
72-3-061101-0A	TFT Cover	PC T=0.25mm,	
35-0-000057	REMOTE CONTROL	SR-9,XHY558F43-6	
39-0-000003	BATTERIES	2006/66/EC	
81-0-061001-1A	shipping carton	300gsm,537*457*206mm	

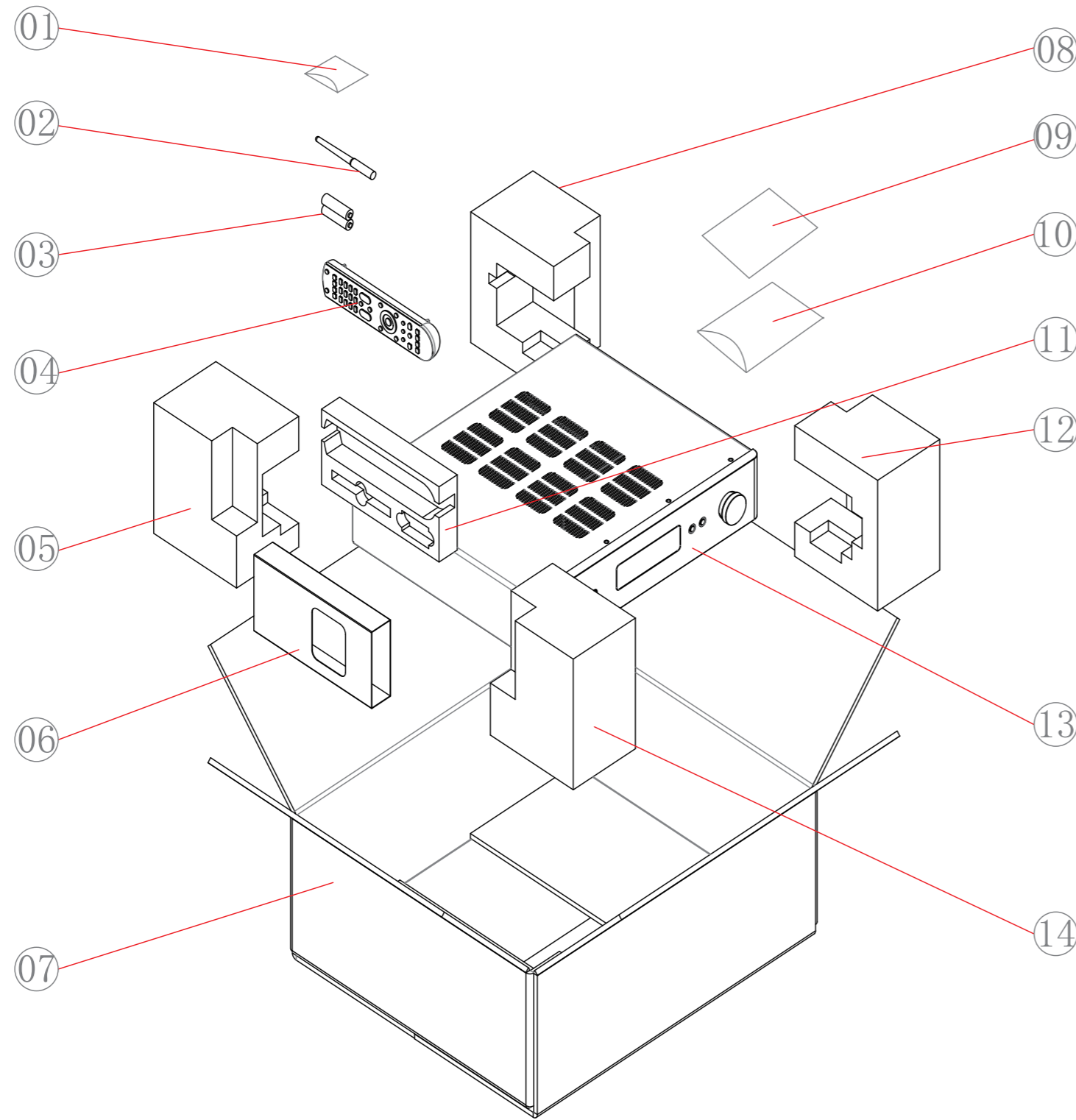
C368 MECHANICAL EXPLODED VIEW



C368 EXPLODED VIEW PARTS LIST

REF.NO.	PART NO.	DESCRIPTION	Qty.	REF.NO.	PART NO.	DESCRIPTION	Qty.
C001	91-0-000576	Foot Pad	4	T001	63-2-061002-1	Top Cover	1
C002	71-1-061111-0	Foot	4				
C003	63-2-061013-1	Chassis	1				
C004	01-1-061012	MDC BOARD	1				
C005	63-2-061017-1	MCU Bracket	1	S001	65-0-000770	Hexgon Scket Screw(MF3X10)	8
C006	63-2-061015-0	Module Bracket L	1	S002	65-0-000069	Self Taping Screw (BTB3X6)	29
C007	85-151002-0	PCB Guide	4	S003	65-0-000344	Machine Screw(M3X6)	17
C008	01-1-061002	Main BOARD	1	S004	65-0-000007	Self Taping Screw(STF3X6)	6
C009	63-2-061016-0	Module Bracket R	1	S005	65-0-000003	Self Taping Screw (BTB3X8)	46
C010	73-2-061001-0	rubber foot	1				
C011	01-1-061009	PSU&PreAMP Board	1				
C012	01-1-061001	UcD102 Module	1				
F001	83-0-000402	PET Film	1				
F002	71-3-061001-2BZ	Fascia	1				
F003	71-1-061121-0Y	VFD Lens	1				
F004	72-3-061101-0A	TFT Cover	1				
F005	71-2-061106-0	2P Input Button Bezel	1				
F006	71-1-061012-0	2P Input Button	2				
F007	71-1-061003-0	2P Input Button base	1				
F008	02-3-061020	Volume Knob Assembly	1				
F009	01-1-061111	Encode BOARD	1				
F010	63-2-061014-1	Subfascia	1				
F011	01-1-061025	HP BOARD	1				
F012	63-1-007605-0	Phone holder	1				
F013	02-3-061019	Power Button assembly	1				
F014	71-3-061107-0A	Power Button Bezel	1				
F015	71-2-061101-1Z	Cursor Frame Bezel	1				
F016	02-3-061018	Cursor Frame assembly	1				
F017	01-1-061016	FPP BOARD	1				
R001	63-3-061001-2B	Rear Panel	1				
R002	01-1-061014	RS232 BOARD	1				
R003	46-0-000323S	AC Inlet	1				
R004	25-2-000126S	ROCKER SWITCH	1				
R005	01-1-061006	USB BOARD	1				
R006	63-3-023009-0A	Blank Cover(S)	2				

C368 PACKING EXPLODED VIEW AND PARTS LIST



①	83-0-000053	Polybag
②	45-2-000098	Antenna
③	39-0-000003	Batteries
④	35-0-000057	Remote control
⑤	82-0-061001-1	EPE back left
⑥	81-0-061002-0	Sleeve Box
⑦	81-0-061001-1A	shipping carton
⑧	82-0-061002-1	EPE back right
⑨	84-0-061001-0	Quick Setup Guide
⑩	83-0-000007	Manu Polyfbag
⑪	82-0-061005-0	EVA Clap board
⑫	82-0-061004-0	EPE front right
⑬	00-0610-00	C368
⑭	82-0-061003-0	EPE front left

SERVICE MANUAL

C 368

Hybrid Digital DAC Amplifier

NAD ELECTRONICS INTERNATIONAL
TORONTO