

C510

Direct Digital DAC

SERVICE MANUAL

C510

Direct Digital DAC



TABLE OF CONTENTS

DESCRIPTION	PAGE
SPECIFICATIONS.....	3
BLOCK DIAGRAM.....	4-6
TROUBLE SHOOTING A.....	7
TROUBLE SHOOTING B.....	8
CIRCUIT DIAGRAMS.....	9-17
PCB LAYOUT.....	18-21
ELECTRICAL VIEW PARTS LIST.....	22-32
PACKING DIAGRAM.....	33
ASSY EXPLODED VIEW	34
EXPLODED VIEW PARTS LIST	35

SPECIFICATIONS

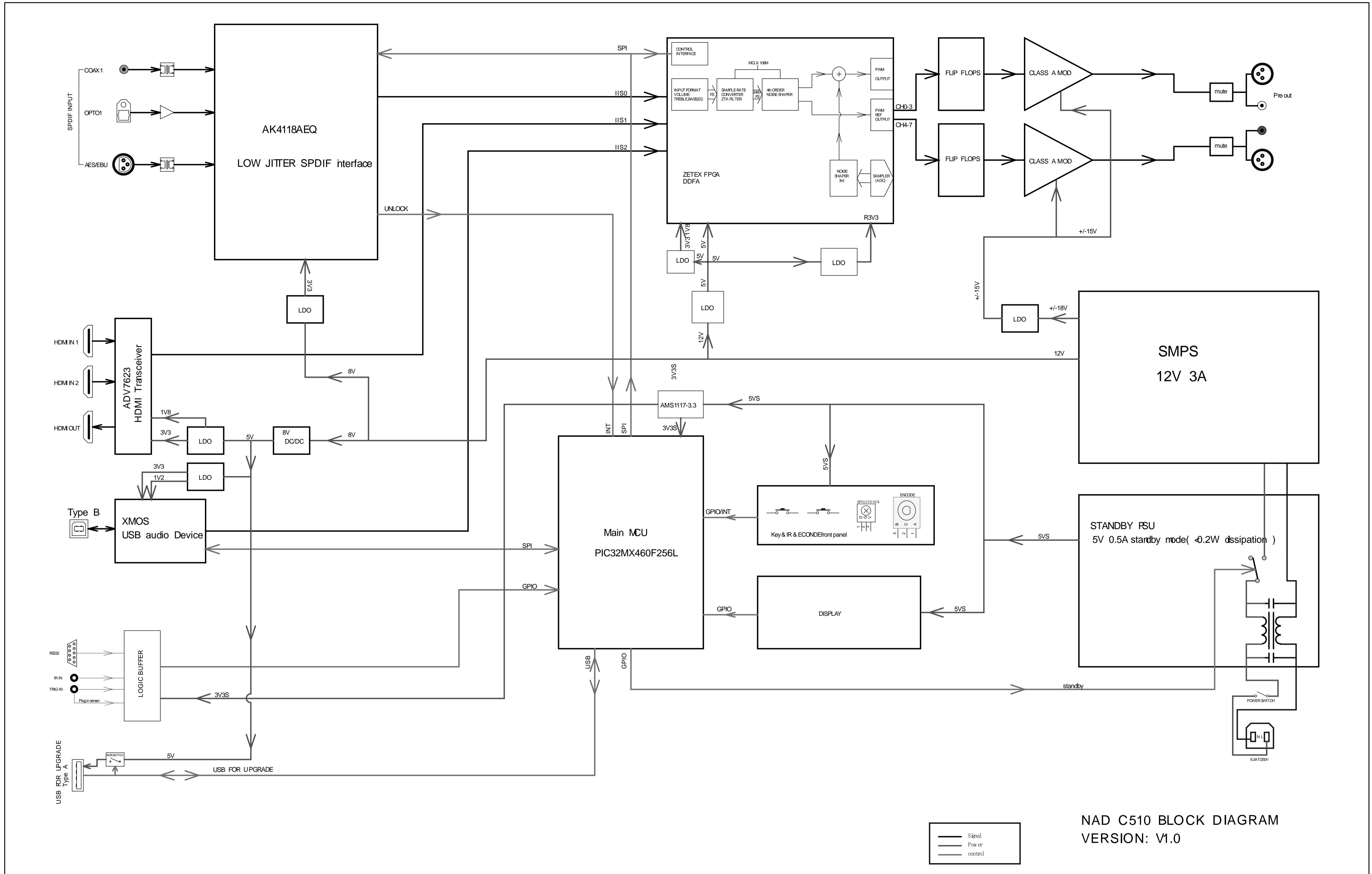
		C 510
Rated Distortion (THD+N with AES 17 filter)		<0.0005% (0dBFS) <0.002% (-60dBFS)
IMD Distortion		0.0001%
Signal/Noise Ratio		<-123dB (ref. 0dBFS 2V out)
Channel Separation		>-115dB (ref. 0dBFS Volume -1dB)
Sample Rate		32kHz to 192kHz (USB and digital S/PDIF)
Frequency Response		±0.5dB (ref. 20Hz - 96kHz @ 192kHz sample rate)
Output Level		2V (ref. input 0dBFS)
INPUT		
AES/EBU	XLR	
SPDIF	Coaxial x 1 Optical x 1	
HDMI x 2 (2-channel PCM)		
USB Class 2 Audio: asynchronous 24/192 support		
IR In		
Trigger In		12V ±20%
OUTPUT		
HDMI Video Out (3D video pass through)		
Analogue	Unbalanced Balanced	47 ohms 110 ohms
Trigger Out		12V ±20%
GENERAL		
AC Supply		100-240V AC ~ 50/60Hz
Standby Power		<0.5W
Idle Power		16W
Unit Dimension (WxHxD) - Gross*		435 x 99 x 309mm 17 1/8 x 3 15/16 x 12 3/16 inches**
Net Weight		4.7kg (10.4lb)
Shipping Weight		5.6kg (12.3lb)

* Gross dimensions include feet, extended buttons and rear panel terminals.

** Non-metric measurements are approximate. NAD Electronics will not assume any liability for errors being made by retailers, custom installers, cabinet makers, or other end users based on information contained in this document.

Note: Installers should allow a minimum clearance of 55mm for wire/cable management.

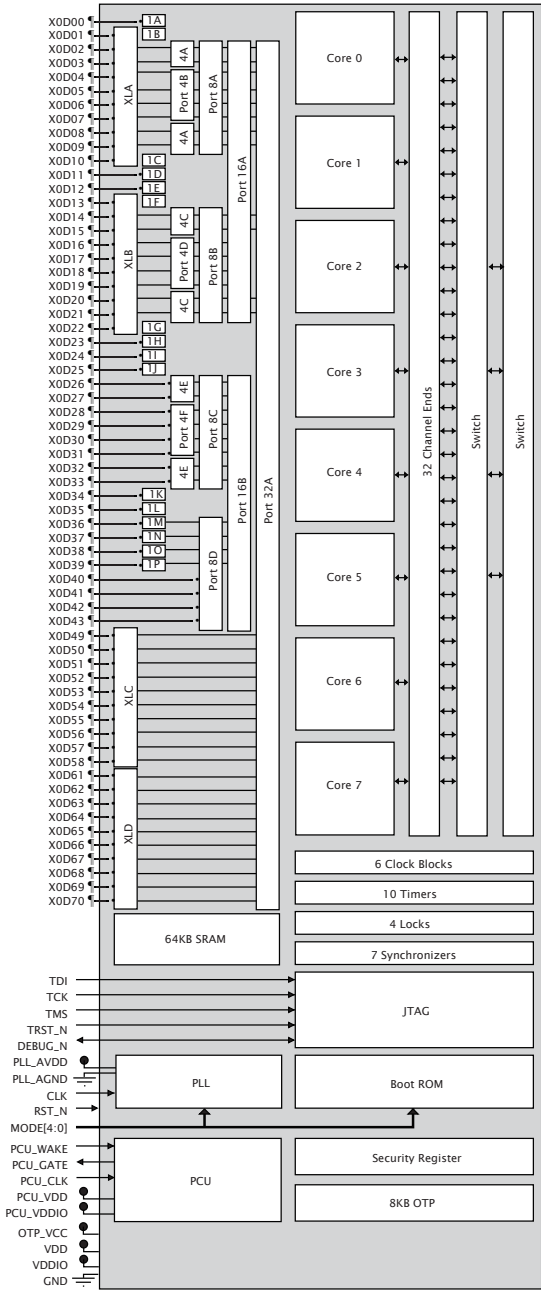
BLOCK DIAGRAM



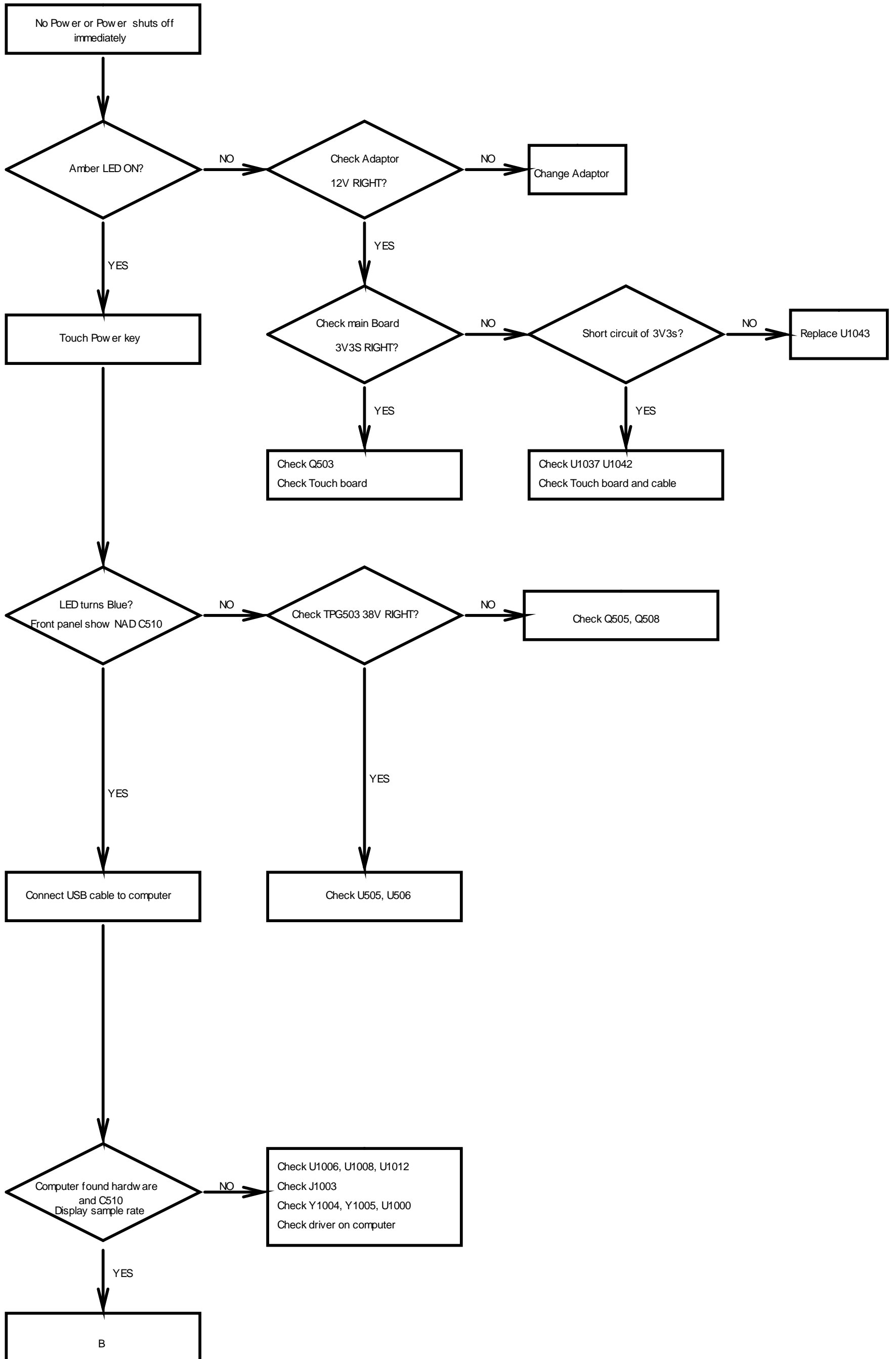
NAD C510 BLOCK DIAGRAM
VERSION: V1.0

XSI-L01A-TQ128

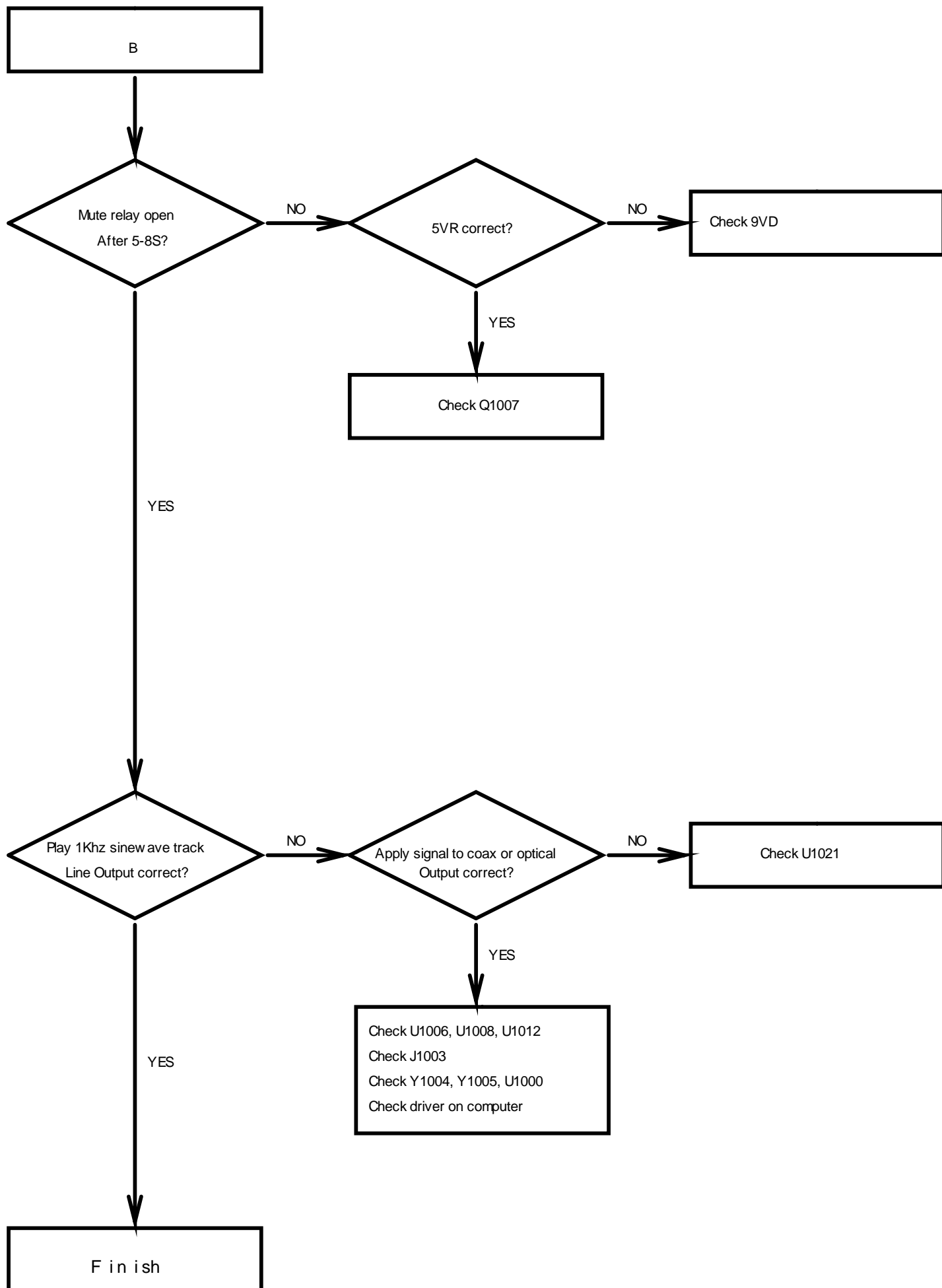
Block Diagram



TROUBLE SHOOTING A

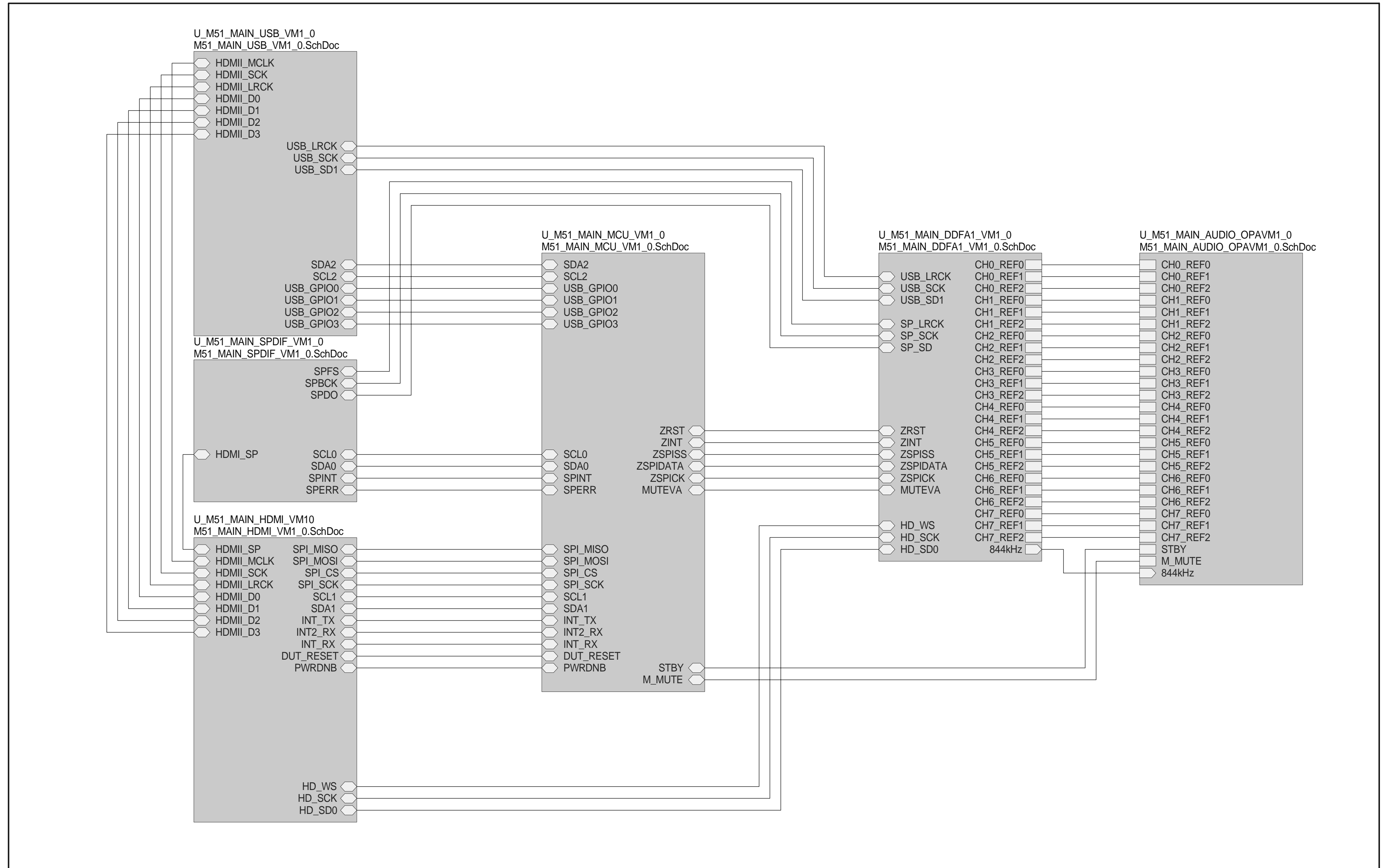


TROUBLE SHOOTING B

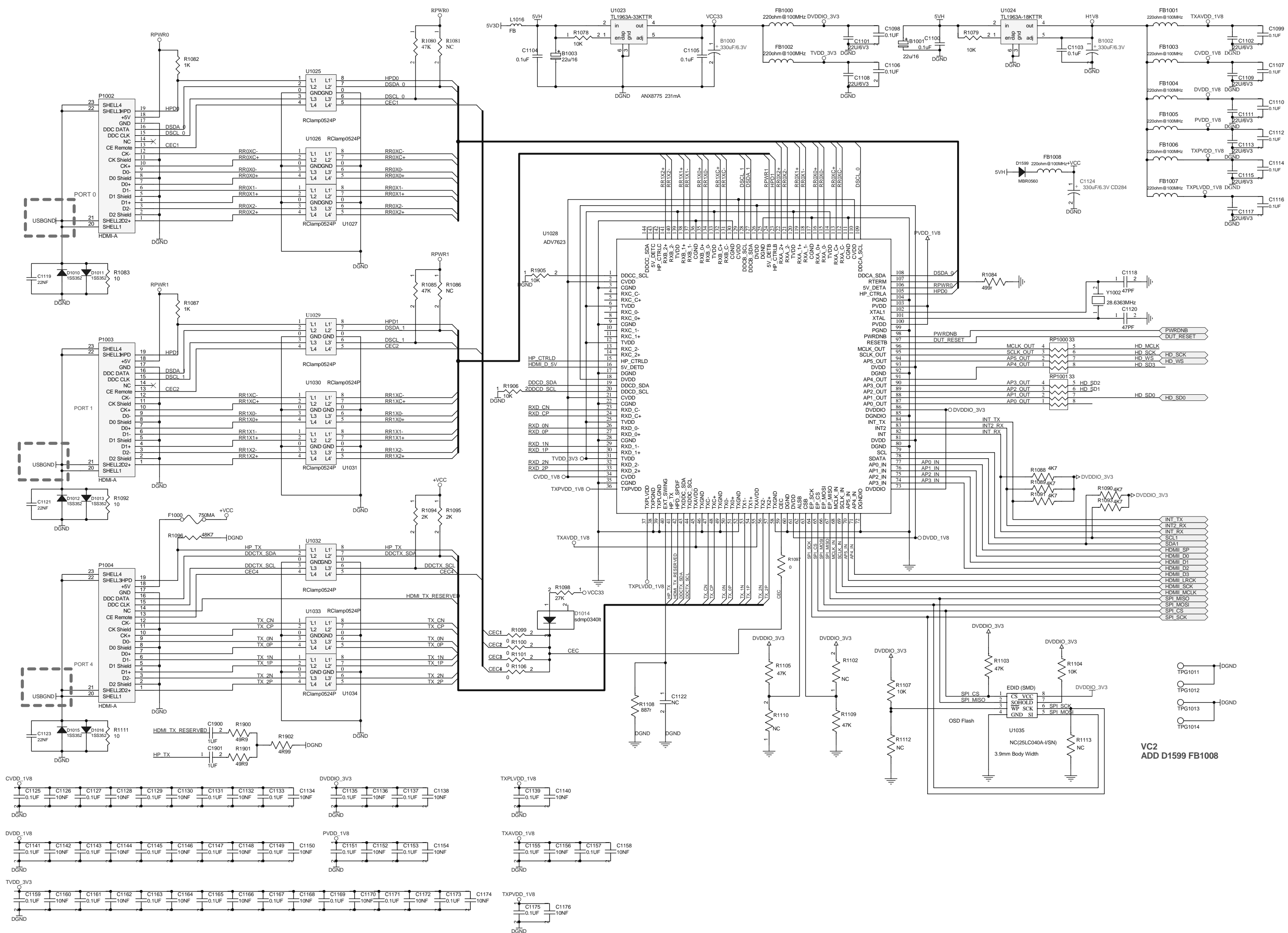


CIRCUIT DIAGRAMS

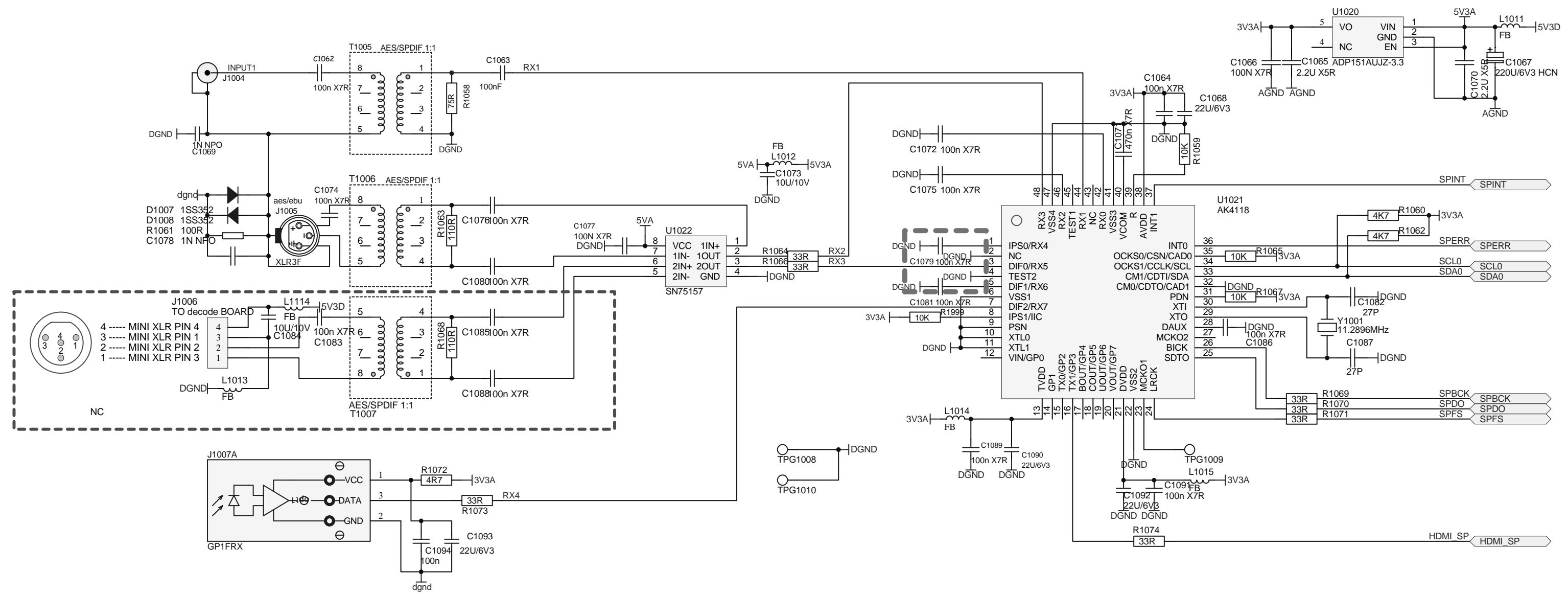
1.MAIN_TOP (1/7)



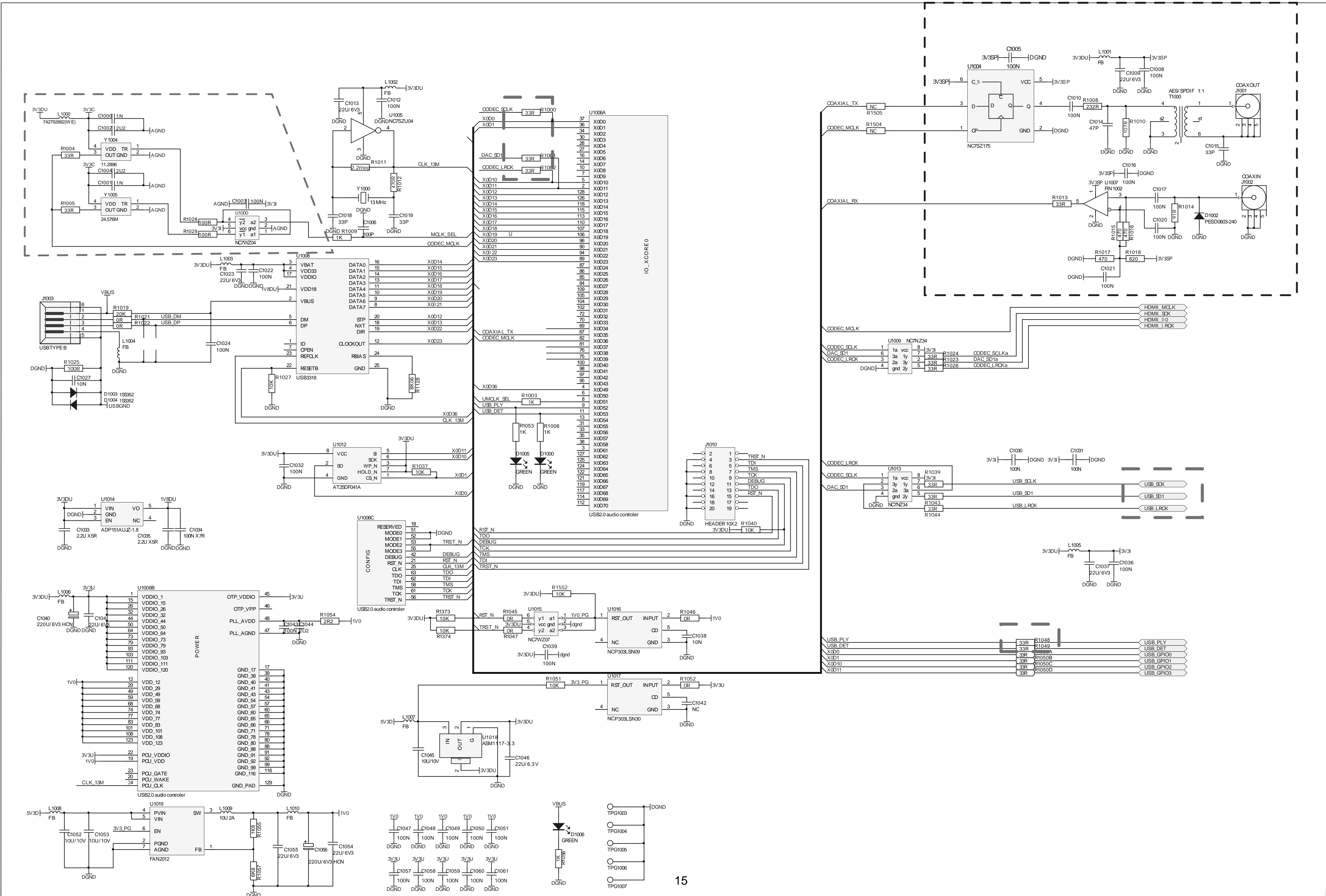
1.MAIN_HDMI (4/7)



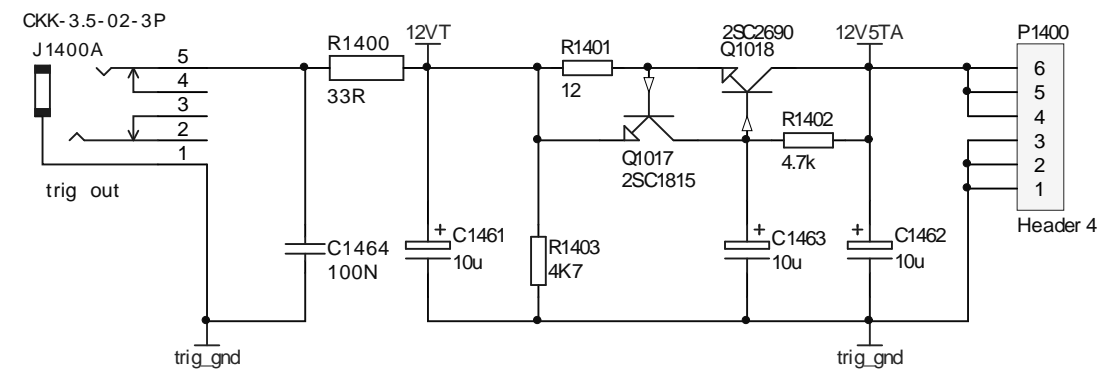
1.MAIN_SPDIF (6/7)



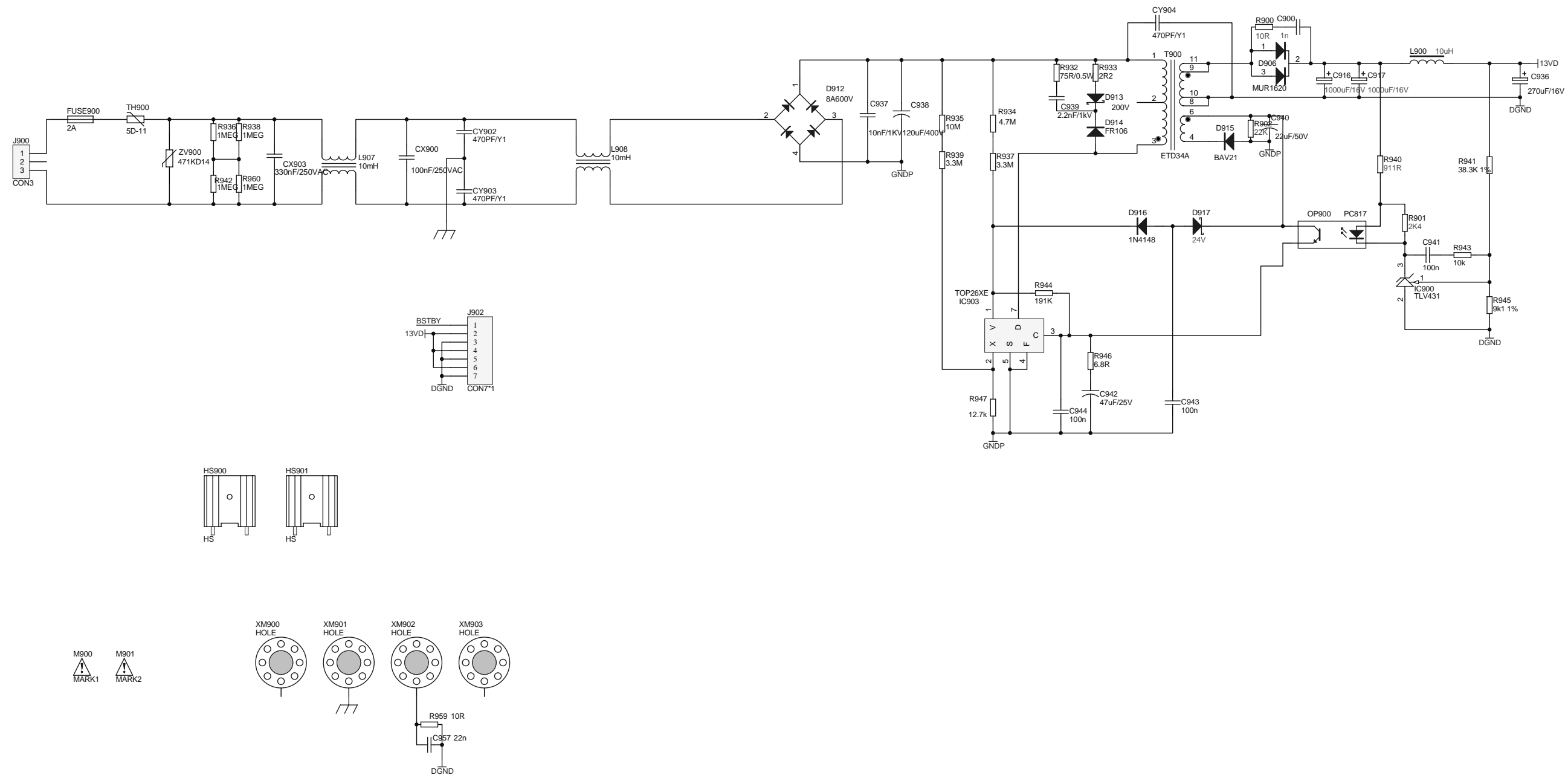
1.MAIN_USB (7/7)



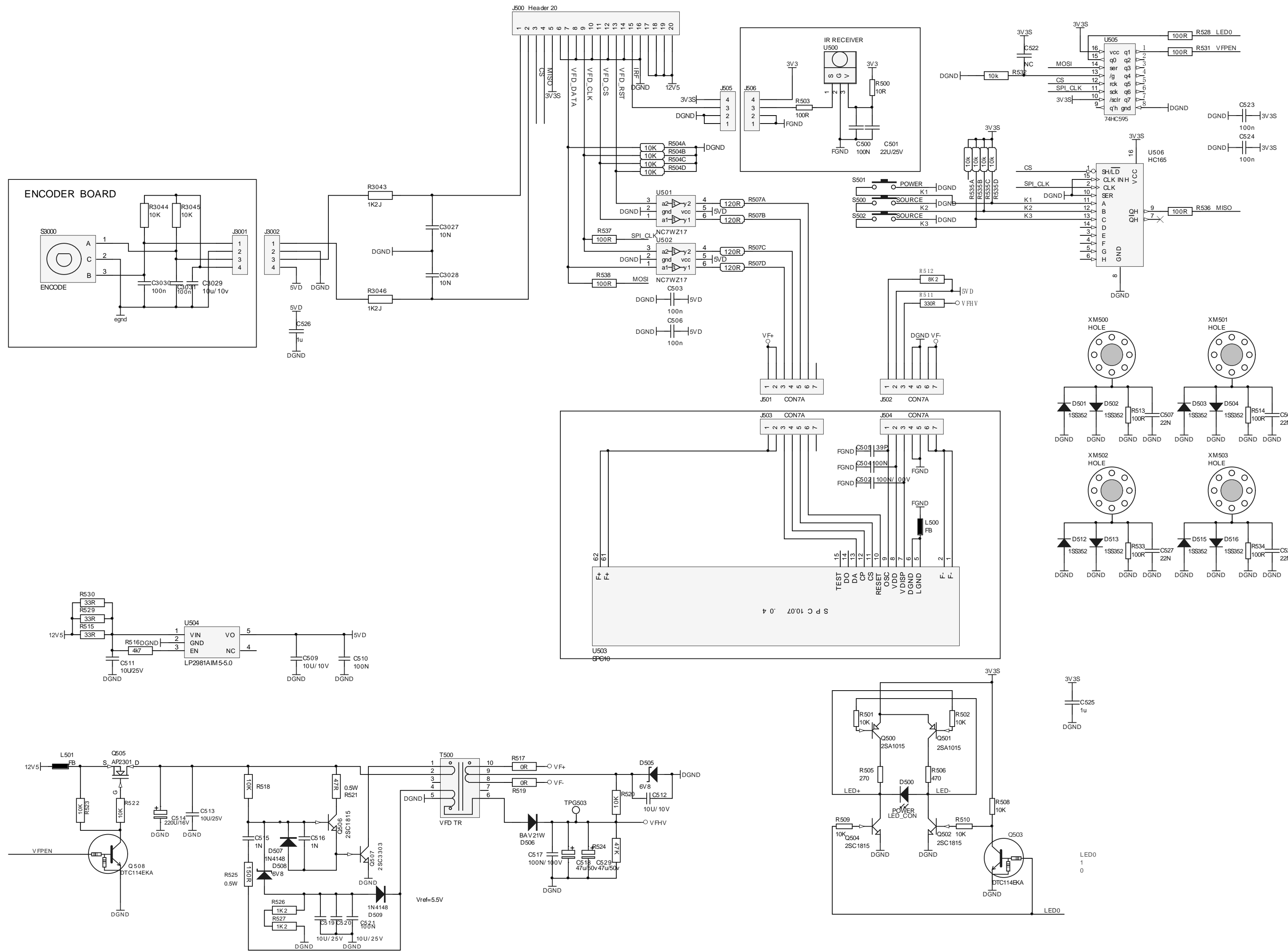
2. TRIGGER BOARD



3. SMPS BOARD

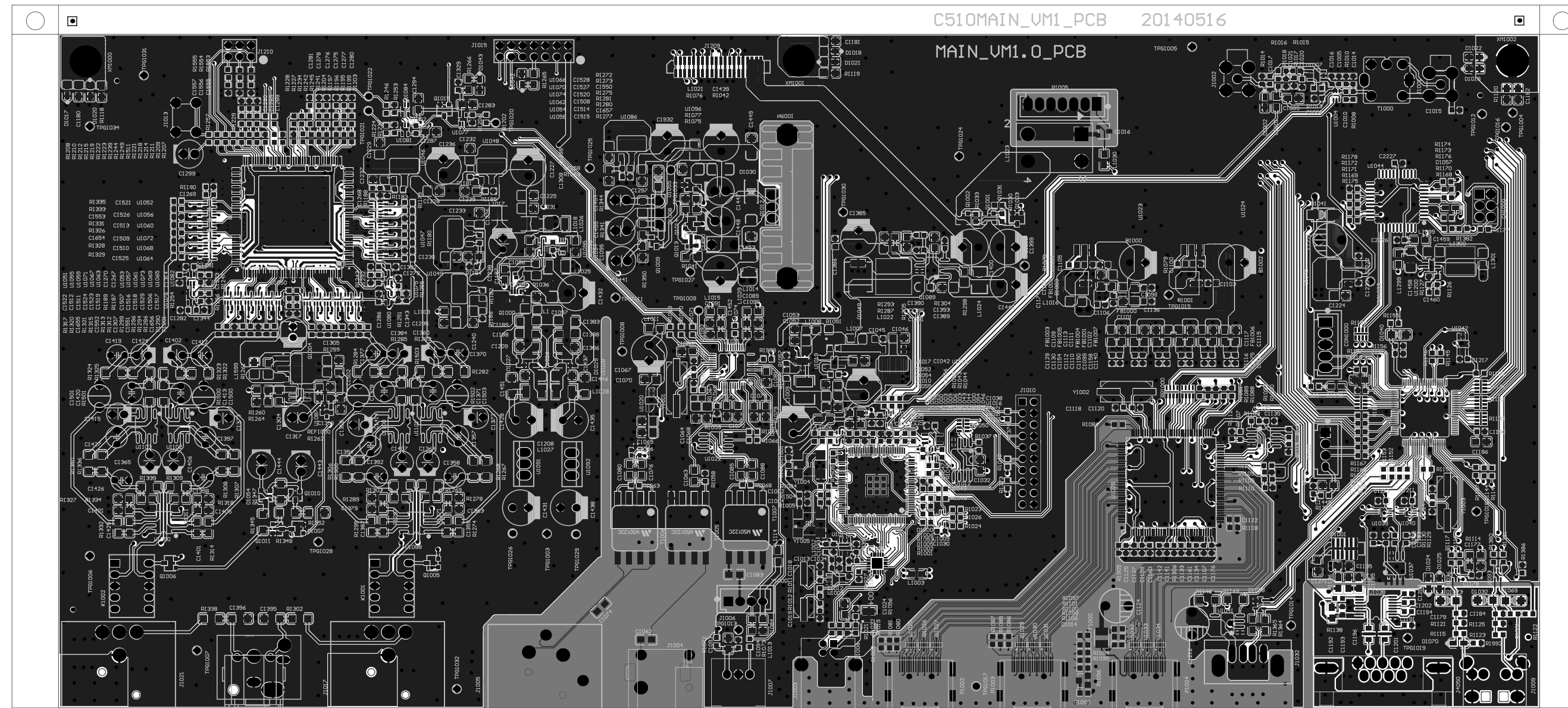


4.FPP & VFD AND ENCODE BOARD

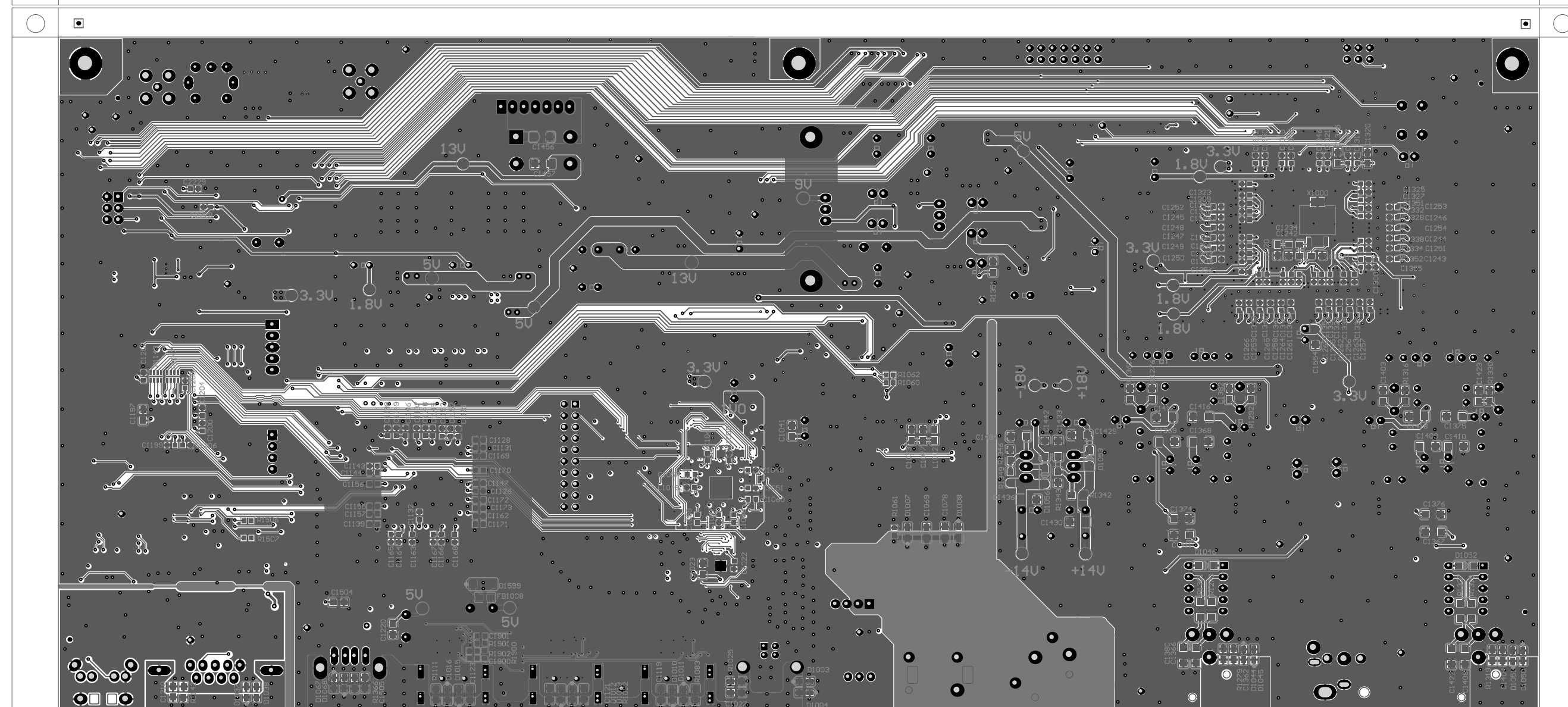


PCB LAYOUT

1.MAIN BOARD

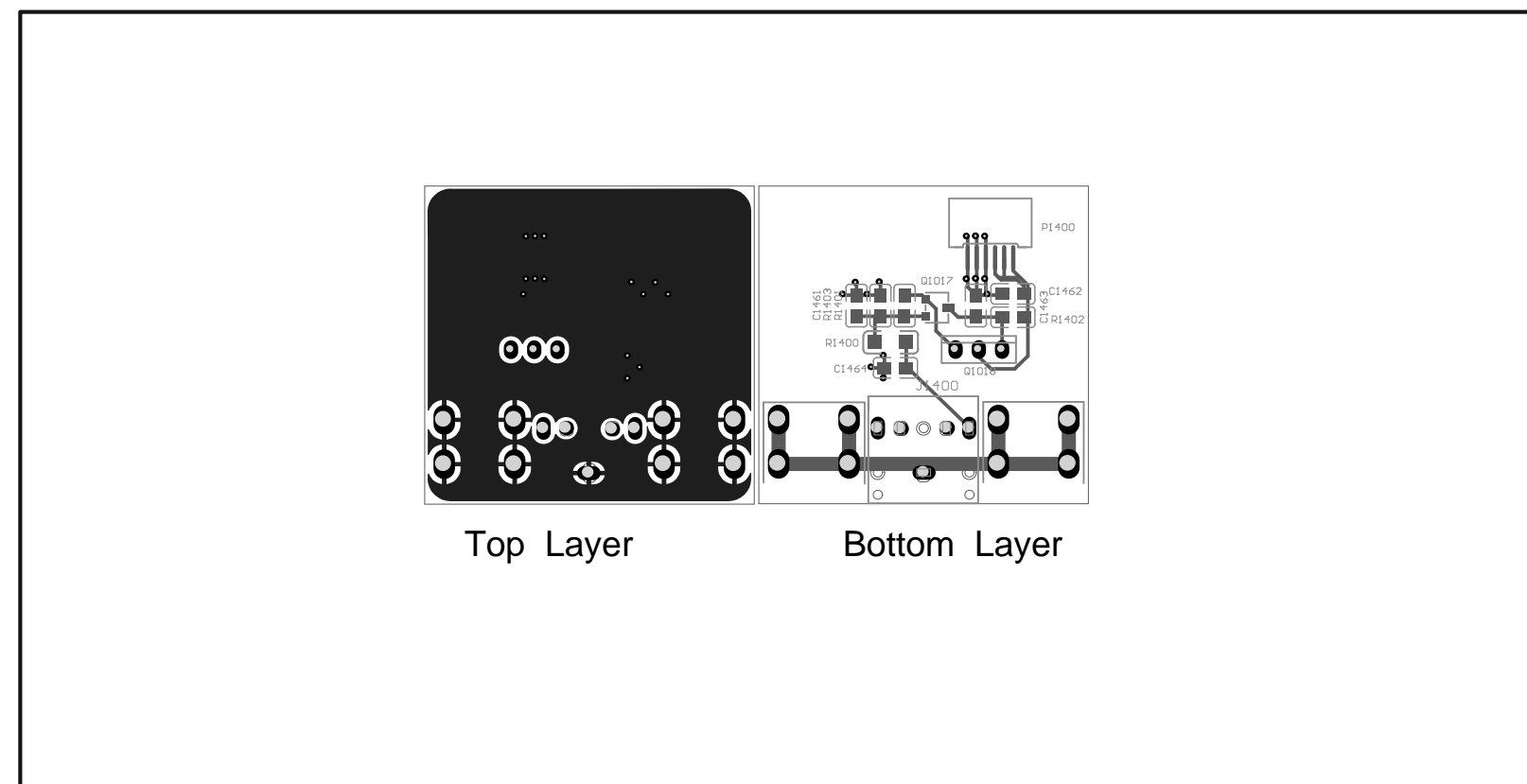


Top Larer

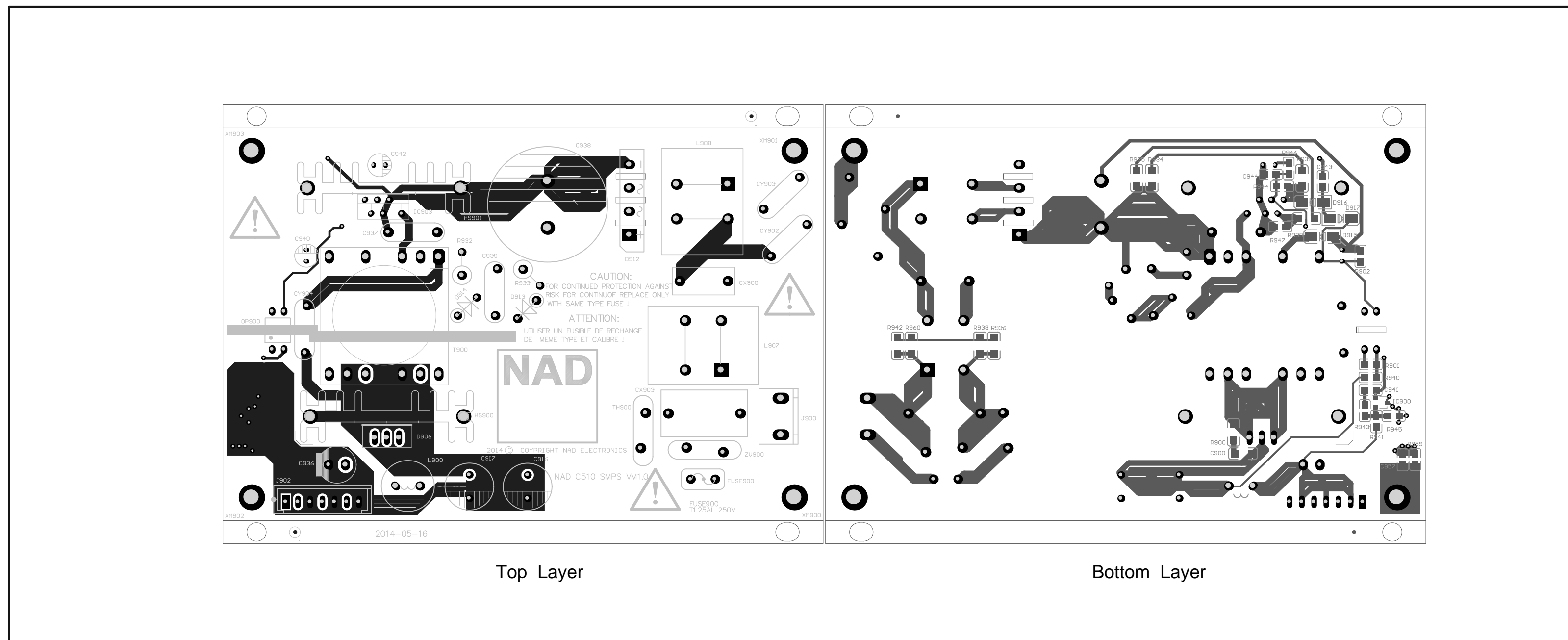


Bottom Layer

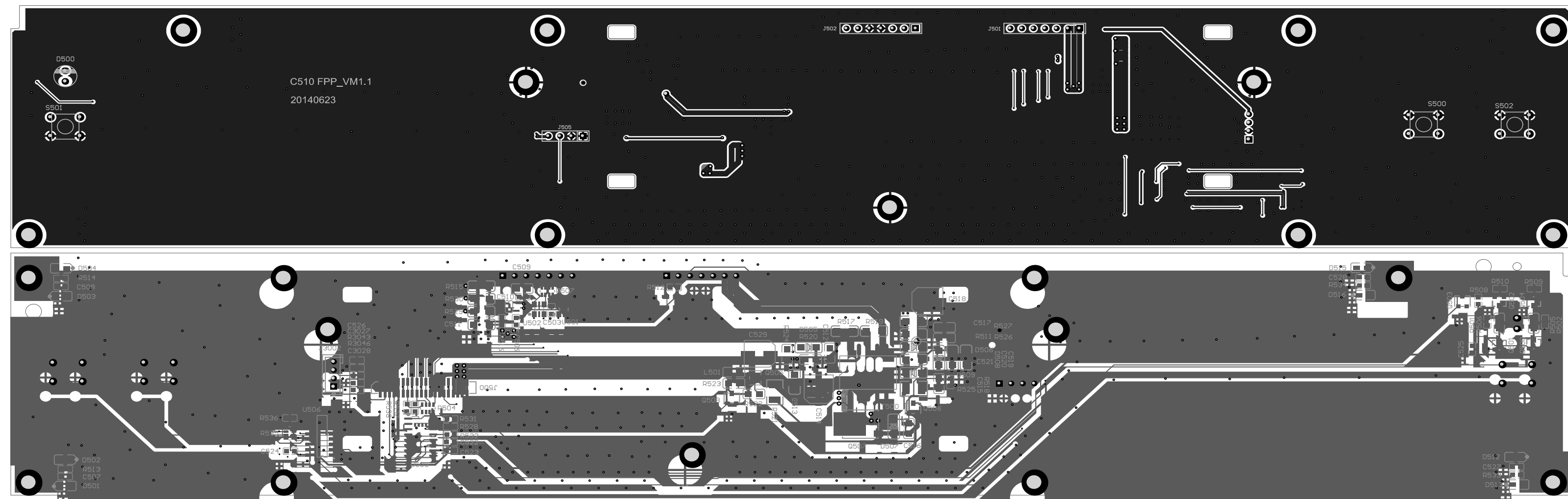
2. TRIGGER BOARD



3. SMPS BOARD



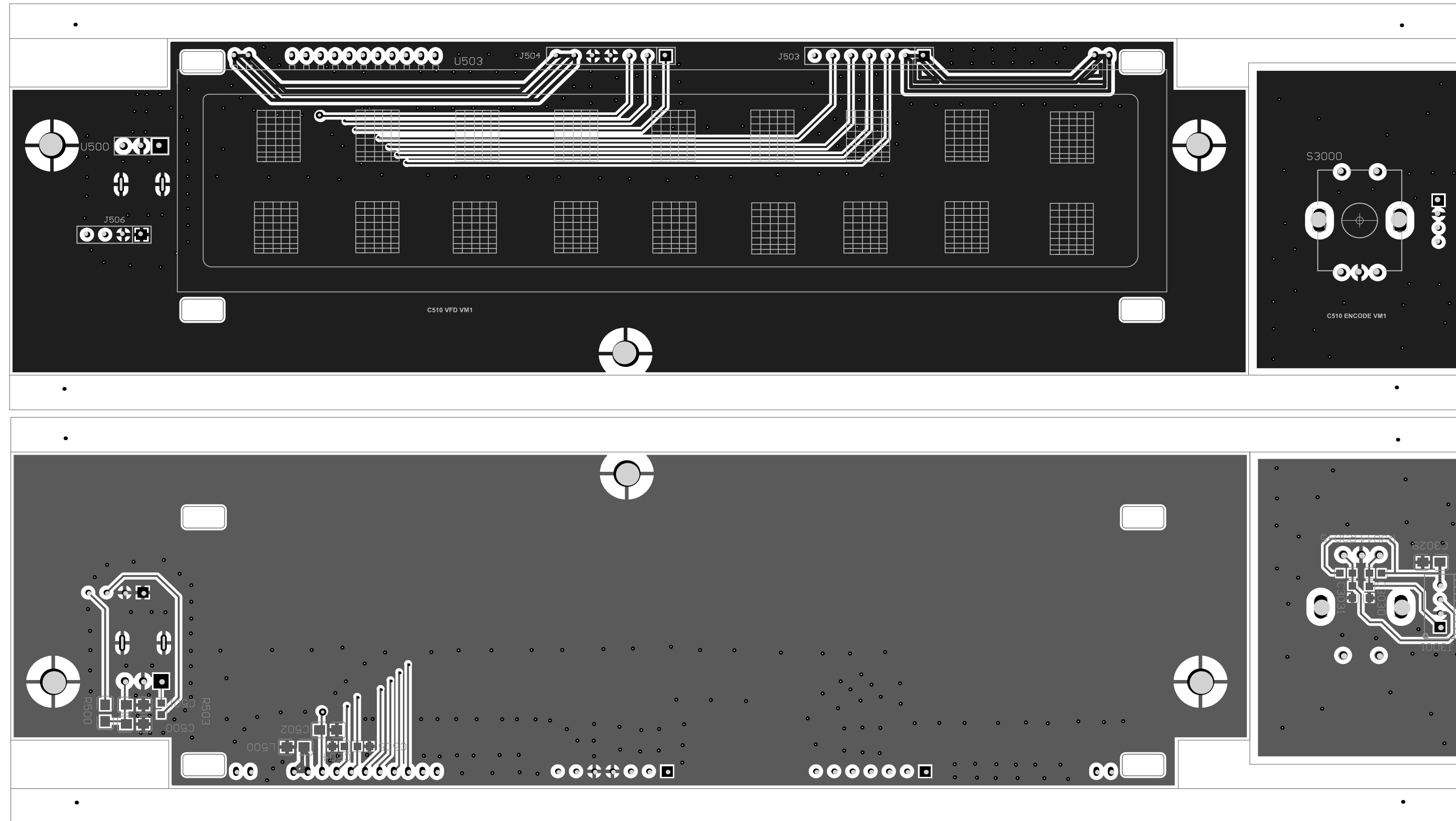
4.FPP BOARD



Top Larer

Bottom Layer

5.VFD AND ENCODE BOARD



Top Layer

Bottom Layer

ELECTRICAL PARTS LIST

PCB-1:MAIN BOARD			
	PART NO.		DESCRIPTION
PCB INFO			
	A16-35101-21	MAIN PCB	VM1, FR-4,1.6mm,4Layers,1oz,TG130, 350.7x170.5mm
ICS			
U1089	03-54331-01	DC/DC CONVERTER	TPS54331D
U1088, U1090	03-00082-01	Dual OPAMP	TL082BCD
U1087	03-01806-01	OP-AMP	LT1806CS6
U1077, U1081, U1084	03-00125-06	Buffer	SN74AHC1G125DCK
U1075, U1076, U1080, U1082	03-07865-01	IC	NC7SV86P5X
U1051, U1052, U1053, U1054, U1055, U1056, U1057, U1058, U1059, U1060, U1061, U1062, U1063, U1064, U1065, U1066, U1067, U1068, U1069, U1070, U1071, U1072, U1073, U1074	03-03746-01	IC	NC7SZ374P6X
U1050	03-00800-02	DDFA Digital Modulator	ZXCZM800QPATR
U1046, U1047, U1048, U1049, U1086	03-01117-09	Ragulator	ZLDO1117GTA
U1043	03-32460-02	PIC32 MCUs 512KB	PIC32MX460F512L-80I/PT
U1042	03-03825-33	Supervisory Circuit	TPS3825-33DBVT
U1041	03-02021-01	Power Switch	TPS2021D
U1039, U1040	03-03357-01	SP3T Analog Switch	TS5A3357DCU
U1038	03-03221-02	RS232 Interface	MAX3221CAE+/MAX3221CDBR/MAX3221EEAE
U1037	03-02416-02	EEPROM	24LC16A / 24LC16BT-1/SH
U1036, U1093	03-00717-01	Buffer	NC7WZ17P6X
U1028	03-07623-01	HDMI Transceiver	ADV7623
U1025, U1026, U1027, U1029, U1030, U1031, U1032, U1033, U1034	03-00524-03	ESD Production IC	RClamp0524PA
U1025, U1026, U1027, U1029, U1030, U1031, U1032, U1033, U1034	or 03-04010-01	ESD Production IC	TPD4S010DQAR
U1023	03-01963-33	Regulator	TL1963A-33KTTR
U1024	03-01963-18	Regulator	TL1963A-18KTTR
U1022	03-75157-01	DIFFERENTIAL BUS TRANSCEIVER	SN75157D
U1021	03-04118-01	Receiver	AK4118AEQ
U1020	03-00151-33	Ragulator	ADP151AUJZ-3.3-R7
U1019	03-02012-01	Ragulator	FAN2012MPX
U1018	03-01117-06	Linear Regulator	AMS1117-3.3
U1012	03-25041-15	Flash	AT25DF041A-SH-T
U1012	03-25041-01	Flash	AT25DF041A-SH-T
U1015	03-00707-02	Buffer	NC7WZ07P6X
U1016	03-00303-09	voltage detector	NCP303LSN09T1G
U1017	03-00303-30	voltage detector	NCP303LSN30T1G
U1014	03-00151-18	Ragulator	ADP151AUJZ-1.8-R7
U1008	03-03318-01	Reference Clock	USB3318C-CP-TR
U1006	03-01128-01	MCU	XS1-L01A-TQ128-C5
U1005	03-00704-03	Inverter	NC7SZU04M5X
U1013	03-00734-01	Buffer	NC7NZ34K8X
U1000	03-00704-02	TinyLogic UHS Dual Inverter	NC7WZ04P6X
U1100, U1101, U1102, U1103	03-49990-01	OPAMP	LME49990MA/NOPB
REF1000	03-28502-01	PRECISION 2.5 VOLT MICROPOWER VOLTAGE REFERENCE	ZR285F02TA
U1096	03-00431-05	Shunt Regulator	TL431CDBZR
U1095	03-07178-01	TinyLogic UHS Triple Buffer with Schmitt Trigger Inputs	NC7NZ17K8X
U1094	03-00774-02	D-Type Flip-Flop	NC7SZ74K8X
U1200	03-62120-01	15V,75MA High Efficient Buck Converter	TPS62120DCNR
D1071	03-02009-01	ESD protect	TPD2E009DBZR
DIODE			
D1000, D1005, D1006	33-50603-01	GREEN LED	SML-310MTT86
D1009	33-40099-01	Switch Diode	BAV99,SOT23
D1030	33-20001-01	Surface Mount Rectifier	M1
D1599	33-30560-01	DIODE SCHOTTKY	MBR0560-TP
D1026, D1027, D1028, D1029	33-24020-01	Diode	SDM40E20LS-7-F
D1055	33-16209-10	Zener Diode	6V2, 1/2W LL34

D1003, D1004, D1007, D1008, D1010, D1011, D1012, D1013, D1015, D1016, D1017, D1018, D1019, D1020, D1021, D1022, D1024, D1025, D1037, D1038, D1044, D1045, D1050, D1051, D1058, D1067, D1068, D1070	33-40352-01	Switch Diode	1SS352(TPH3,F),1SS355TE-17
D1023, D1032, D1069	33-14709-10	Zener Diode	4V7,1/2W, LL34
D1039	33-00502-01	ESD Protection Diode	PRTR5V0U2X,215
D1041	33-20012-01	Surface Mount Schottky Barrier Rectifier	SS12 SMA
D1046, D1052, D1053, D1056	33-44148-17	Switch Diode	1N4148
D1049	33-20336-01	DIODE SMD	SS36, SCHOTTKY,60V
D1054	33-40054-00	Schottky Diode	BAT54S, SOT23
D1014	33-20340-04	Diode	SDMP0340LT-7-F
D1040	33-13609-10	Zener Diode	3V6
D1042, D1043	33-50805-06	LED SMD	L-C170LBCT Blue
	TRANSISTOR		
Q1010	31-01015-03	Transistor	A1015 SOT23
Q1004	31-00493-00	Transistor	FZT493
Q1003, Q1005, Q1006, Q1007, Q1015, Q1016	31-00114-05	Digital transistor	DTC114EKA
Q1009, Q1011	31-01815-03	Transistor	C1815 SOT23
Q1013, Q1014	31-01312-00	Transistor	2SA1312GR(TE85L,F) TO-236MOD
Q1000	31-00003-01	Dual FET	ZXMC3AMCTA
Q1001, Q1002	31-02301-01	P-CH MOSFET	APM2301
	CRYSTAL		
Y1001	04-11122-00	Crystal SMD	M-F-11.2896M-20-2020-2070,11.2896MHZ,FL=20PPM,CL=20pF
Y1002	04-12864-01	Crystal SMD	28.63636MHZ CL=22pF ,FL=20PPM
Y1000	04-11302-00	Crystal SMD	M-F-13.000M-20-2020-2070,13MHZ,FL=20PPM,CL=20pF
Y1003	04-18001-01	Crystal SMD	8.000MHZ, FL=30PPM
Y1004	04-22252-05	Oscillator	SRTD3T-22.5792MHZ TR
Y1005	04-22452-09	Oscillator	SRTD3T-24.576MHZ TR
x1000	04-11083-01	Oscillator SMD	MXU510P20-3-B20-2L-MJT-108Mhz
	INDUCTOR		
L1300	08-04220-12	Inductor SMD	744053220,22uH
L1022	08-04100-08	Power Inductor	10uH,MSS7341-103ML
L1009	08-04100-24	Inductor SMD	74477410,10uH
L1017, L1018	08-05100-01	Inductor	LQH32CN100K33L,10uH,1210
L1027, L1028, L1024, L1025, L1026, L1029	08-04181-03	Ferrite Bead SMD	180R/100MHz,3A,1210,CBW322513U181T
L1019	08-04601-16	Ferrite Bead SMD	742792042,600ohm@100MHz, ±25%, 0.2A
L1019	or N08-04601-14	Inductor SMD	BMB2A0600RS2
FB1000, FB1001, FB1002, FB1003, FB1004, FB1005, FB1006, FB1007, FB1008	08-04221-01	Ferrite Bead SMD	220R 100Mhz, CBG201209U221
L1020	08-04338-00	INDUCTOR	LQM21NNR33K10D,0.33uH
L1020	or N08-04301-03	Inductor SMD	BMB2A0300AN1
L1004	08-04101-06	RF Choke	74476420, 100uH ±10% 40mA
L1002, L1003, L1005, L1006, L1007, L1008, L1010, L1011, L1012, L1013, L1014, L1015, L1016, L1021, L1099, L1114, L1301, L1030, L1599	08-04331-06	Ferrite Bead SMD	742792037, 330ohm@100MHz, ±25%, 2A
L1002, L1003, L1005, L1006, L1007, L1008, L1010, L1011, L1012, L1013, L1014, L1015, L1016, L1021, L1099, L1114, L1301, L1030, L1599	or08-04300-01	Ferrite Bead SMD	BMB2A0300LN2
L1000	08-04102-31	Chip Ferrite Bead	742792662, 1000ohm@100MHz,Imax=600mA
L1299	08-04339-02	Inductor SMD	74479053, 3.3uH, ±10%, 0805
L1023	22-00101-03	Inductor	T16*9*5-100uH
T1005, T1006	22-12204-01	DIGITAL TR	MS8121NL
	CAPACITOR		
C1506, C1507, C1508, C1509, C1510, C1511, C1512, C1513, C1514, C1515, C1516, C1517, C1518, C1519, C1520, C1521, C1522, C1523, C1524, C1525, C1526, C1527, C1528, C1529	26-10411-08	Ceramic Chip Capacitor	100nZ,16V,X7R 0402

C1267, C1293, C1268, C1269, C1270, C1292	26-10051-00	Ceramic Chip Capacitor	10pJ, 50V, 0603, NPO
C1214, C1215	26-20051-00	Ceramic Chip Capacitor	20pJ, 50V, 0603, NPO
C1082, C1087, C1391	26-27051-00	Ceramic Chip Capacitor	27pJ, 0603, 50V, NPO
C1555, C1556, C1557, C1275, C1276, C1277, C1278, C1279, C1280, C1281, C1282, C1286, C1288, C1289, C1290, C1291	26-33051-00	Ceramic Chip Capacitor	33P, 0603, 50V, NPO
C1118, C1120	26-47051-00	Ceramic Chip Capacitor	47PJ, 50V, 0603, NPO
C1006, C1550, C1551, C1552, C1553, C1654, C1655, C1656, C1657	26-10151-00	Ceramic Chip Capacitor	100pF, 50V, 0603, NPO
C1390	26-39151-00	Ceramic Chip Capacitor	390p, 50V, NPO, 0603
C1216	26-22251-00	Ceramic Chip Capacitor	2n2K, 50V, 0603, X7R
C1179	26-47351-00	Ceramic Chip Capacitor	47nK, 50V, 0603, X7R
C1126, C1128, C1130, C1132, C1134, C1136, C1138, C1140, C1142, C1144, C1146, C1148, C1150, C1152, C1154, C1156, C1158, C1160, C1162, C1164, C1166, C1168, C1170, C1172, C1174, C1176	26-10351-00	Ceramic Chip Capacitor	10nK, 50V, 0603, X7R, C2012X7R1H103KT
C1393	26-15351-00	SMD Capacitor	15nF, 50V, X7R, 0603
C1000, C1004, C1003, C1012, C1030, C1031, C1036, C1039, C1047, C1048, C1049, C1050, C1051, C1057, C1058, C1059, C1060, C1061, C1094, C1178, C1183, C1184, C1190, C1193, C1194, C1198, C1199, C1200, C1204, C1205, C1206, C1207, C1211, C1213, C1217, C1218, C1222, C1223, C1309, C1310, C1311, C1312, C1338, C1339, C1340, C1341, C1386, C2225, C2226, C2227, C2228, C2229	26-10411-00	Ceramic Chip Capacitor	100nF, 16V, 0603, X7R
C1191, C1202, C1203	26-47411-10	Ceramic Chip Capacitor	470nK, 16V, 0603, X7R
C1243, C1244, C1245, C1246, C1247, C1248, C1249, C1250, C1251, C1252, C1253, C1254, C1255, C1256, C1257, C1258, C1259, C1260, C1261, C1262, C1263, C1264, C1265, C1266, C1300, C1302, C1303, C1314, C1321, C1322, C1323, C1324, C1325, C1326, C1327, C1328, C1329, C1330, C1331, C1332, C1333, C1334, C1335, C1336, C1337, C1342, C1343, C1344, C1346, C1347, C1348, C1349, C1350, C1351, C1352, C1353, C1354, C1355, C1356, C1900, C1901	26-10521-10	Ceramic Chip Capacitor	1uF, 25V, ±10%, 0603, X5R
C1001, C1002, C1033, C1035, C1044	26-22511-10	Ceramic Chip Capacitor	2.2uK, 0603, 10V, X5R, CC0603KRX5R6BB225
C1241, C1242	26-12051-01	Ceramic Chip Capacitor	12pF, 50V, NPO, 0805
C1210	26-22051-01	Ceramic Chip Capacitor	22PJ, 50V, 0805, NPO
C1018, C1019	26-33051-01	Ceramic Chip Capacitor	33PJ, 50V, 0805, NPO
C1196, C1201	26-10151-11	Low ESL Feed Through	CKD510X5R1H101ST/NFM21CC101U1H3 0805, X5R, 100p, 50V
C1069, C1078, C1271	26-10212-01	Ceramic Chip Capacitor	1nJ, 100V, 0805, NPO
C1304	26-47221-01	Ceramic Chip Capacitor	4n7J, 25V, 0805, NPO
C1027, C1038, C1505, C1234	26-10351-01	Ceramic Chip Capacitor	10nK, 50V, 0805, X7R
C1119, C1121, C1123, C1180, C1181, C1182, C1362, C1404	26-22312-01	Ceramic Chip Capacitor	22nF, 100V, 0805, X7R
C1034, C1062, C1064, C1066, C1072, C1074, C1075, C1076, C1077, C1079, C1080, C1081, C1083, C1085, C1086, C1088, C1089, C1091, C1283, C1287, C1294, C1063, C1187, C1220, C1381, C1022, C1024, C1032, C1185	26-10411-01	Ceramic Chip Capacitor	100nK, 16V, 0805, X7R

C1043, C1098, C1099, C1100, C1103, C1104, C1105, C1106, C1107, C1110, C1112, C1114, C1116, C1125, C1127, C1129, C1133, C1135, C1141, C1159, C1161, C1175	26-10451-10	Ceramic Chip Capacitor	0.1uF,50V,5%,X7R,0603,
C1131, C1137, C1139, C1143, C1145, C1147, C1149, C1151, C1153, C1155, C1157, C1163, C1165, C1167, C1169, C1171, C1173	26-10451-10	Ceramic Chip Capacitor	0.1uF,50V,5%,X7R,0603,
C1071,C1361, C1382, C1403, C1423	26-47411-01	Ceramic Chip Capacitor	470nK,16V,0805,X7R
C1359, C1363, C1379, C1387, C1401, C1405, C1421, C1425	26-10511-01	Ceramic Chip Capacitor	1uK,16V,0805,X7R
C1065, C1070, C1389	26-22521-01	Ceramic Chip Capacitor	2.2uF,±10%,25V,X5R,0805
C1229, C1231, C1308, C1095, C1096, C1225, C1228, C1230, C1232, C1233, C1235, C1237, C1238, C1239, C1240, C1297, C1298, C1305, C1319, C1320, C1345	26-47511-01	Ceramic Chip Capacitor	4.7uF, 16V, X5R,0805
C1045,C1052, C1053, C1073, C1084, C1504	26-10611-01	Ceramic Chip Capacitor	10uF,0805,10V,C0805C106M8PACTU/C2012X5R1A106M
C1013, C1023, C1037, C1041, C1054, C1055, C1068, C1090, C1092, C1093, C1101, C1102, C1108, C1109, C1111, C1113, C1115, C1117, C1224, C1459, C1046, C1177, C1186, C1192, C1195, C1197, C1219, C1445	26-22660-11	Ceramic Chip Capacitor	22uF, 6.3V, X5R, 0805
C1395, C1396	26-10151-02	Ceramic Chip Capacitor	100pF,50V,1206,NPO
C1554	26-10222-12	Ceramic Chip Capacitor	1nJ,200V,1206,NPO,1206CG102JBB200 / C1206N102J201T
C1367, C1368, C1369, C1374, C1375, C1376, C1409, C1410, C1411, C1416, C1417, C1418, C1429, C1442	26-10412-02	Ceramic Chip Capacitor	100nK,100V,1206,X7R
C1097,C1188, C1189, C1208, C1209, C1306, C1383, C1388, C1446,C1430, C1434, C1436, C1437, C1449, C1451, C1453, C1456, C1457, C1458,C1433	26-10621-12	Ceramic Chip Capacitor	10uF, 25V, X5R, 1206, C3216X5R1E106KT
C1366, C1380, C1408, C1422	26-33052-02	Ceramic Chip Capacitor	1206, 33pF, 500V, NPO, ±5%
B1001, B1003	06-22011-05	Chip Alu Electrolytic Capacitor	VSS or CS series, 22uF,16V,±20%,5x5.4
B1000, B1002, C1040, C1056, C1067, C1227, C1236, C1385	06-33160-10	Alu Electrolytic Capacitor	ULR337M0JE08,330uF,6.3V,±20%,105°C,F3.5
C1226, C1307	06-22160-07	Alu Electrolytic Capacitor	HCN,220uF,6.3V,±20%,105°C,F2.5
C1432, C1932, C1399, C1400	06-27111-00	Alu Electrolytic Capacitor	HEN,270uF,16v,±20%
C1212,C1124	06-22111-05	Alu Electrolytic Capacitor	CD263X,220uF,16V,±20%,F5.0
C1439, C1440, C1452,C1428, C1431, C1435, C1438,	06-22121-12	Alu Electrolytic Capacitor	220uF,25V,±20%,105°C,EEUFC1E221
C1221	06-33111-02	Alu Electrolytic Capacitor	CD263(X),330uF,16V,±20%,F5.0
C1364, C1365, C1372, C1373, C1406, C1407, C1414, C1415, C1299, C1317, C1444	06-47021-15	Alu Electrolytic Capacitor	47uF,25V,±20%,105°C,EEUFC1E470(H)
C1357, C1394, C1397, C1427	25-10222-01	Polypropylene Film Capacitor	ASS21,1nF,250V,±5%

C1358, C1392, C1398, C1426	25-68212-04	Polypropylene Film Capacitor	ASS21,6.8nF,100V,±5%
C1370, C1371, C1377, C1378, C1412, C1413, C1419, C1420	25-22212-03	Polypropylene Film Capacitor	ASS21,2.2nF,100V,±5%
C1450	25-10412-04	Polypropylene Film Capacitor	CL23B,100nF,100V,±5%,Pitch=5mm
C1441, C1454, C1455, C1443, C1447, C1448	06-10121-10	Alu Electrolytic Capacitor	CD289,100uF,25V,±20%,105°C,F2.5
C1500, C1501, C1502, C1503	06-47011-09	Bi-polarized Alu Electrolytic Capacitor	CD71H,47uF,16V,±20%,F5.0
RESISTOR			
R1021, R1022, R1045, R1046, R1047, R1052, R1207, R1209, R1211, R1214, R1215, R1218, R1219, R1221, R1222, R1234, R1239, R1241, R1242, R1255, R1256, R1511, R1097, R1099, R1100, R1101, R1106	07-90000-00	Chip Resistor	0Ω, 0603, ±5%
R1054	07-92208-00	Chip Resistor	2.2Ω,0603,1/10W,±1%,RC0603FR-072R2L
R1072	07-90479-00	Chip Resistor	4.7Ω,0603,1/10W,±5%,RC0603JR-074R7L
R1902	07-94998-00	Chip Resistor	4.99Ω,0603,1/10W,±1%,RC0603FR-074R99L
R1157, R1353	07-90100-00	Chip Resistor	10Ω,0603,1/10W,±5%,RC0603JR-0710RL
R1000, R1001, R1002, R1004, R1005, R1023, R1024, R1026, R1039, R1043, R1044, R1048, R1049, R1064, R1066, R1069, R1070, R1071, R1073, R1074, R1145, R1146, R1164, R1165, R1166, R1167, R1202, R1224, R1246, R1354, R1355,	07-93309-00	Chip Resistor	33Ω,0603,1/10W,±1%,RC0603FR-0733RL
R1150, R1151	07-93909-00	Chip Resistor	39Ω,0603,1/10W,±1%,RC0603FR-0739RL
R1900, R1901	07-94999-00	Chip Resistor	49.9Ω,0603,1/10W,±1%,RC0603FR-0749R9L
R1058, R1187, R1188, R1189, R1190, R1243, R1247, R1553, R1554, R1555	07-97509-00	Chip Resistor	75Ω,0603,1/10W,±1%
R1028, R1029, R1061, R1153, R1185, R1186, R1258	07-91000-00	Chip Resistor	100Ω,0603,1/10W,±1%,RC0603FR-07100RL
R1063, R1068	07-91100-00	Chip Resistor	110Ω,0603,1/10W,±1%
R1116, R1117, R1138, R1380, R1381	07-90121-00	Chip Resistor	120Ω,0603,1/10W,±5%,RC0603JR-07120RL
R1179, R1180, R1208, R1210, R1212, R1249, R1257	07-91500-00	Chip Resistor	150Ω,0603,1/10W,±1%
R1181, R1182	07-90221-00	Chip Resistor	220Ω,0603,1/10W,±5%,RC0603JR-07220RL
R1183, R1184	07-92400-00	Chip Resistor	240Ω,0603,1/10W,±1%
R1263	07-92700-00	Chip Resistor	270Ω,0603,1/10W,±1%
R1012	07-94700-00	Chip Resistor	470Ω,0603,1/10W,±1%,RC0603FR-07470RL
R1084	07-94990-00	Chip Resistor	499Ω,0603,1/10W,±1%,RC0603FR-07499RL
R1108	07-98870-00	Chip Resistor	887Ω,0603,1/10W,±1%,RC0603FR-07887RL
R1003, R1006, R1009, R1053, R1056, R1082, R1087, R1129, R1130, R1141, R1144, R1175, R1176, R1177, R1178, R1992, R1383	07-90102-00	Chip Resistor	1KΩ,0603,1/10W,±5%,RC0603JR-071KL
R1055	07-91801-00	Chip Resistor	1.8KΩ,0603,1/10W,±1%
R1115, R1094, R1095, R1223, R1244, R1245	07-92201-00	Chip Resistor	2.2KΩ,0603,1/10W,±1%,
R1272, R1273, R1277, R1280, R1290, R1291, R1296, R1299, R1312, R1313, R1317, R1320, R1328, R1329, R1333, R1335	07-93321-10	Chip Resistor	3.32KΩ,0603,1/10W,±0.1%,±25PPM,RT0603BRD073K32L
R1060, R1062, R1088, R1089, R1090, R1091, R1093, R1156, R1382	07-90472-00	Chip Resistor	4.7KΩ,0603,1/10W,±5%,RC0603JR-074K7L
R1057, R1125	07-96801-00	Chip Resistor	6.8KΩ,0603,1/10W,±1%
R1155	07-98201-00	Chip Resistor	8.2KΩ,0603,1/10W,±1%
R1027, R1030, R1031, R1033, R1037, R1040, R1051, R1059, R1065, R1067, R1078, R1079, R1104, R1107, R1135, R1137, R1152, R1206, R1237, R1252, R1253, R1373, R1374, R1552, R1905, R1906, R1999, R1123	07-91002-00	Chip Resistor	10KΩ,0603,1/10W,±1%,RC0603FR-0710KL

R1121	07-90103-00	Chip Resistor	10K Ω ,0603,1/10W, \pm 5%,RC0603JR-0710KL
R1019	07-90203-00	Chip Resistor	20K Ω ,0603,1/10W, \pm 5%,RC0603JR-0720KL
R1098	07-90273-00	Chip Resistor	27K Ω ,0603,1/10W, \pm 5%,RC0603JR-0727KL
R1080, R1085, R1103, R1105, R1109, R1122	07-90473-00	Chip Resistor	47K Ω ,0603,1/10W, \pm 5%,RC0603JR-0747KL
R1096	07-94872-00	Chip Resistor	48.7K Ω ,0603,1/10W, \pm 1%,RC0603FR-0748K7L
R1275, R1281, R1286, R1294, R1315, R1321, R1326, R1331	07-95362-10	Chip Resistor	53.6K Ω ,0603,1/10W, \pm 0.1%, \pm 25PPM,RT0603BRD0753K6L
R1991	07-90104-00	Chip Resistor	100K Ω ,0603,1/10W, \pm 5%,RC0603JR-07100KL
R1127	07-91803-00	Chip Resistor	180K Ω ,0603,1/10W, \pm 1%,
R1386	07-90224-00	Chip Resistor	220K Ω ,0603,1/10W, \pm 5%,RC0603JR-07220KL
R1126	07-95603-00	Chip Resistor	560K Ω ,0603,1/10W, \pm 1%,RC0603FR-07560KL
R1154	07-90105-00	Chip Resistor	1M Ω ,0603,1/10W, \pm 5%
R1011	07-90225-00	Chip Resistor	2.2M Ω ,0603,1/10W, \pm 5%,RC0603JR-072M2L
R1351, L1	07-90000-01	Chip Resistor	0 Ω ,0805,1/8W, \pm 5%
R1341	07-90339-01	Chip Resistor	3.3 Ω ,0805,1/8W, \pm 5%,RC0805JR-073R3L
R1083, R1092, R1111, R1114, R1124, R1136, R1366	07-90100-01	Chip Resistor	10 Ω ,0805,1/8W, \pm 5%,RC0805JR-0710RL
R1364, R1365	07-93909-01	Chip Resistor	39 Ω ,0805,1/8W, \pm 1%,RC0805FR-0739RL
R1041	07-95609-01	Chip Resistor	56 Ω ,0805,1/8W, \pm 1%,RC0805FR-0756RL
R1260	07-96209-01	Chip Resistor	62 Ω ,0805,1/8W, \pm 1%,RC0805FR-0762RL
R1025, R1118, R1119, R1120, R1142, R1279, R1319	07-90101-01	Chip Resistor	100 Ω ,0805,1/8W, \pm 5%,RC0805JR-07100RL
R1261	07-90151-01	Chip Resistor	150 Ω ,0805,1/8W, \pm 5%,RC0805JR-07150RL
R1264	07-91600-01	Chip Resistor	160 Ω ,0805,1/8W, \pm 1%
R1342, R1349	07-92430-01	Chip Resistor	243 Ω ,0805,1/8W, \pm 1%,RC0805FR-07243RL
R1262, R1265, R1266, R1276, R1292, R1316, R1330, R1344	07-90102-01	Chip Resistor	1K Ω ,0805,1/8W, \pm 5%,RC0805JR-071KL
R1293	07-91621-01	Chip Resistor	1.62K Ω ,0805,1/8W, \pm 1%,RC0805FR-071K62L
R1274, R1295, R1314, R1332, R1075, R1077	07-90222-01	Chip Resistor	2.2K Ω ,0805,1/8W, \pm 5%,RC0805JR-072K2L
R1343, R1346	07-92491-01	Chip Resistor	2.49K Ω ,0805,1/8W, \pm 1%,RC0805FR-072K49L
R1128	07-98061-01	Chip Resistor	8.06K Ω ,0805,1/8W, \pm 1%,RC0805FR-078K06L
R1287	07-99091-01	Chip Resistor	9.09K Ω ,0805,1/8W, \pm 1%,RC0805FR-079K09L
R1350	07-90103-01	Chip Resistor	10K Ω ,0805,1/8W, \pm 5%,RC0805JR-0710KL
R1036	07-90473-01	Chip Resistor	47K Ω ,0805,1/8W, \pm 5%,RC0805JR-0747KL
R1305	07-95362-01	Chip Resistor	53.6K Ω ,0805,1/8W, \pm 1%,RC0805FR-0753K6L
R1259	07-90154-01	Chip Resistor	150K Ω ,0805,1/8W, \pm 5%,RC0805JR-07150KL
R1304	07-91153-01	Chip Resistor	115K Ω ,1/10W, \pm 1% RC0805FR-07115KL
R1298	07-93323-01	Chip Resistor	332K Ω ,0805,1/8W, \pm 1%,RC0805FR-07332KL
R1076	07-92001-02	Chip Resistor	2K Ω ,1206,1/4W, \pm 1%,RC1206FR-072KL
R1345, R1348	07-90472-02	Chip Resistor	4.7K Ω ,1206,1/4W, \pm 5%,RC1206JR-074K7L
R1042	07-95761-02	Chip Resistor	5.76K Ω ,1206,1/4W, \pm 1%,RC1206FR-075K76L
R1352	07-90123-02	Chip Resistor	12K Ω ,1206,1/4W, \pm 5%,RC1206JR-0712KL
R1148, R1149, R1347	07-94752-02	Chip Resistor	47.5K Ω ,1206,1/4W, \pm 1%,RC1206FR-0747K5L
R1143, R1147, RP1000, RP1001	07-90330-10	Chip Resistor Network	33 Ω x4, \pm 5%, 0603x4
R1131, R1132, R1133, R1134, R1158	07-90121-10	Chip Resistor NET	120 Ω , \pm 5% R0603X4
R1282, R1284, R1322, R1324, R1500, R1501, R1502, R1503	07-90000-92	Chip Resistor	MMF204FRE0R,0 Ω ,0.4W, \pm 1%
R1283, R1285, R1323, R1325	07-97508-92	Chip Resistor	MMF204FRE7R5,7.5 Ω ,0.4W, \pm 1%
R1269, R1270, R1301, R1302, R1303, R1309, R1310, R1337, R1338, R1339	07-94709-92	Chip Resistor	MMF204FRE47R,47 Ω ,1/4W, \pm 1%
R1268, R1300, R1308, R1336	07-91500-82	Chip Resistor	MELF0204-150R-F-C2,150 Ω ,0.4W, \pm 1%
R1267, R1306, R1307, R1340	07-91651-92	Chip Resistor	MMF204FRE1K65,1.65K Ω ,0.4W, \pm 1%
R1271, R1278, R1289, R1297, R1311, R1318, R1327, R1334	07-91004-92	Chip Resistor	MMF204FRE1M,1M Ω ,1/4W, \pm 1%
F1000	07-00075-03	SHORT CIRCUIT PROTECTION	750MA
CONNECTOR			
J1209	13-21020-07	FFC Connector	1.0-9-20PB/ F10009Y-20-A013
P1001	13-21006-05	FFC Connector	1.0-9-6PB/ F10009Y-6-A013
P1002, P1003, P1004	17-08119-04	HDMI Socket	HDMI-007
U1092	03-00337-00	3-Terminal Regulator	LM337T TO-220
U1091	03-00317-00	Regulator	LM317T
J1007	17-06001-07	Optical Receive	DLR2180/25M
J4050	17-08009-00	RS232 Socket	RS232/F,7906-09FHA
Q1008, Q1012	31-02690-00	Transistor	KSC2690AYSTU TO-126
CON1000	13-12505-11	Connector	2.54mm Pitch,5pin,CNT-M254-1*5-GS-5/3-N
J1010	13-12520-01	Connector	2.54mm Pitch,2*10Pin,CNT-M254-2*10-GS-6/3-N
P1005	13-22507-00	Connector Socket	XHB 2.5A-7A
CN1000	13-12506-15	Connector	2.54mm Pitch, 2x3Pin, CNT-M254-2*3-GS-5.8/3-N
J1005	J17-09003-28	Mic Connector	NC3FAAH2
J1004	17-01001-23	RCA	AV-8.4-8

J1003	J17-08001-58	USB connector	292304-1
J1032	17-08001-07	USB connector	UAR20-4W2100/GL56S05
J1018	17-01002-02	2RCA	AV2-8.4-13
J1017, J1021	J17-09103-13	Mic Connector	NC3MAAH
J1009	17-02002-09	Phone Jack	SCJ351P00WS0BP6G
RELAY			
K1001, K1002	12-02202-15	Signal Relay	HFD31/5 5VDC
NICAL PARTS			
HS36X11S	70-019005-1	Heatsink	6063 T5 H=30mm BLACK
Heatsink(1)	61-023106-0	Self Tapping Screw	STB3X6
J1018	A78-000020-1	Heat Shrinking Tube	CB-HFT, Φ2mm
	76-000001-0	Teflon	18AWG-L
PCB-2:TRIG BOARD			
PART NO.		DESCRIPTION	
PCB INFO			
	A16-35102-21	TRIG PCB	VM1.0, FR-4,1.6mm,1oz,TG130
	A16-35120-21	TRIG PCB ASSY	8->1, VM1.0, FR-4,1.6mm,2 Layers ,1oz,TG130, 144x83.8mm
TRANSISTOR			
Q1017	31-01815-03	Transistor	2SC1815-GR
R1402, R1403	07-90472-01	Chip resistor	0805,4K7R, 5%
R1400	07-93309-02	Chip Resistor	33Ω,1206,1/4W,±1%,RC1206FR-0733RL
R1401	07-90120-01	Chip Resistor	12Ω,0805,1/8W,±5%,RC0805JR-0712RL
CAPACITOR			
C1464	26-10411-00	Ceramic Chip Capacitor	100nF,16V 0603, X7R
C1461, C1462, C1463	26-47521-01	Ceramic Chip Capacitor	4.7uF, 25V, Y5V, 0805,+80%~-20%
CONNECTOR			
P1400	13-21006-02	FFC Connector	1.0-9-6PWB
Q1018	31-02690-00	Transistor	KSC2690AYSTU TO-126 2SC2690
J1400	17-02001-55		CKX-3.5-36(5P),Black
	67-114001-0	PCB Terminal	HS40-360.1-B009V1-M002
	14-65106-00	6Pin Cable	1.0mm Pitch,6pin,L=70mm,0.1x0.65
PCB-3:SMPS BOARD			
PART NO.		DESCRIPTION	
PCB INFO			
	A16-35105-21	SMPS BOARD PCB	VM1.0, FR-4,1.6mm,2Layers,1oz,TG130, 125x95mm
DIODE			
D916	33-44148-17	Diodes	1N4148
D915	33-40021-11	Switch Diode	BAV21W
D917	33-12400-11	Zener Diode SMD	24V 1/2W LL34
D913	33-12001-00	ZENER DIODES	200V, 1.5W, 1N5956B
D912	33-30482-00	Rectifier Bridge	GBU408C
D914	33-20107-00	Fast-Recovery Rectifier Diode	FR107, DO-41
D906	33-21620-00	Rectifier Diode	MUR1620
IC			
IC900	03-00431-11	Regulator	TL431BCDBZTG4
OP900	03-00817-08	Photo Coupler	EL817(D)-F
RESISTOR			
R946	07-90689-01	SMT Resistor	6.8Ω,0805,1/8W,±5%
R959	07-90100-01	SMT Resistor	10Ω,0805,1/8W,±5%
R940	07-90911-01	SMT Resistor	910Ω,0805,1/8W,±5%
R901	07-90242-01	Chip Resistor	2.4KΩ,0805,1/8W,±5%
R945	07-99101-01	SMT Resistor	9.1KΩ,0805,1/8W,±1%
R943	07-90103-01	SMT Resistor	10KΩ,0805,1/8W,±5%
R947	07-91272-01	SMT Resistor	12.7KΩ,0805,1/8W,±1%
R902	07-90223-01	Chip Resistor	22KΩ,0805,1/8W,±5%
R941	07-93832-01	SMT Resistor	38.3KΩ,0805,1/8W,±1%,RC0805FR-0738K3L
R944	07-91913-01	SMT Resistor	191KΩ,0805,1/8W,±1%,RC0805FR-07191KL
R900	07-90100-02	SMT Resistor	10Ω,1206,1/4W,±5%,RC1206JR-0710RL
R936, R938, R942, R960	07-90105-02	SMT Resistor	1MΩ,1206,1/4W,±5%
R937, R939	07-90335-02	SMT Resistor	3.3MΩ,1206,1/8W,±5%,RC1206JR-073M3L
R934	07-90475-02	SMT Resistor	4.7MΩ,1206 1/4W,±5%
R935	07-90106-02	SMT Resistor	10MΩ,1206,1/4W,±5%,RC1206JR-0710ML
R932	07-30750-05	Metal Oxide Film Resistor	75Ω, 1W, ±5%
R933	07-30229-04	Metal Oxide Film Resistor	2.2Ω, 1W, ±5%
ZV900	07-70471-03	TVS	TUR10D471
TH900	07-70050-00	NTC	5D-11 P
CAPACITORS			
C957	26-22351-01	Cermatic Capacitor	22nK,50V,0805,X7R
C900	26-10251-02	Ceramic Chip Capacitor	1000pK,50V,1206,X7R
C941, C943, C944	26-10451-11	Cermatic Capacitor	100nK,50V,0805,X7R,±10%
CX903	A25-33422-00	Interfernece Suppression Cap	MKP62, 330nF,275VAC, ±10%
CX900	A25-10422-07	Interfernece Suppression Cap	0.1uF/275V,13mm*6mm
CY902, CY903, CY904	A05-47142-00	Hign Voltage Cermatic Capacitor	470pF,400V(X1),250V(Y1),±10%
C937	25-10362-00	Metallized Polyester Film Capacitor	CBB21,10nF,630V,±5%

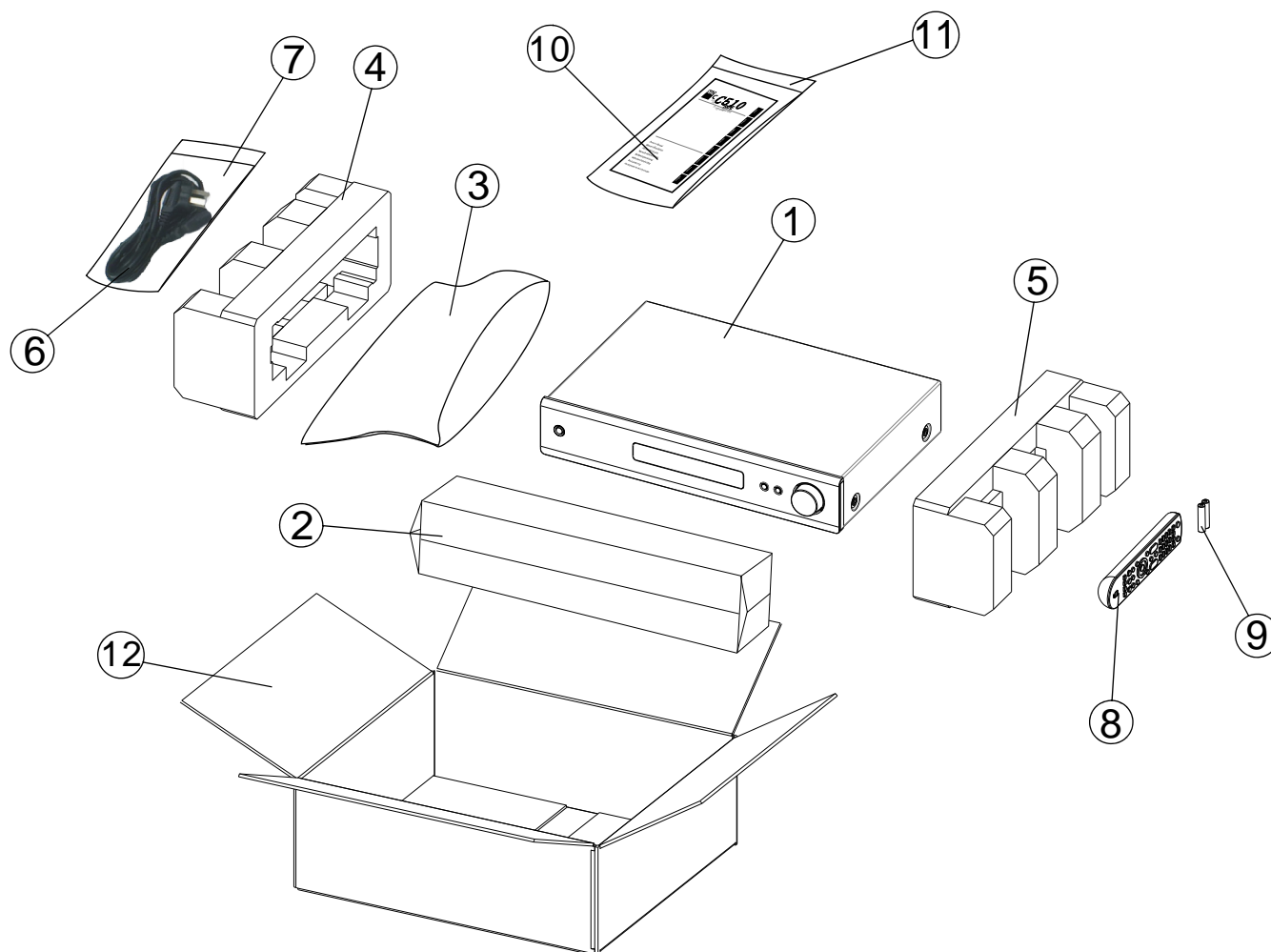
C939	A05-15242-00	Hign Voltage Cermatic Capacitor	1.5nF,400V(X1),250V(Y1),±20%,
C936	06-27111-00	Alu Electrolytic Capacitor	HEN,270uF,16v,±20%
C938	06-12142-01	Alu Electrolytic Capacitor	CD294,120uF,400V,±20%
c942	06-47021-02	Alu Electrolytic Capacitor	CD263(X),47uF,25V,±20%,F2.5
C940	06-22051-04	Alu Electrolytic Capacitor	CD263(X),22uF,50V,±20%,F2.5
C916, C917	06-10211-09	ALU Electrolytic CAP	EEUFM1C102B,1000uF,16V,±20%,105°C
	FUSE		
FUSE900	A20-12122-04	Fuse	5ET-013H, T1.25A 250V
	ICS		
IC903	03-00265-00	Power controller IC	TOP265EG
	TRANSFORMER		
T900	A22-02625-01	Transformer	Suzhou Hejia M51PQ26/25
	INDUCTOR		
L907, L908	22-23210-00	Common Mode Choke	10mH/2A,744823210
L900	08-02100-11	Inductance	10uH, GCP1014-100M
	CONNECTOR		
J900	13-23903-01	Connecter	VH 3.96A-3A
J902	13-22507-00	Connector Socket	XHB 2.5A-7A
HS900	61-023208-0	Self Tapping Screw	BTB3x8
D906	78-013008-1	Insulated Cushion	SQ9418, SPK-4
D906	85-157001-0	Transistor Washer	TW-4
HS900	70-019005-1	Power Heatsink	6063 T5, BLACK
HS901	70-211002-0	Heatsink	6063 T5
HS901	85-211001-0	Parts Housing	PTB, TC-21
HS901	61-023512-0	Machine Screw	MB3x12
HS901	62-010302-0	Nut	GB6170, M3
HS901	63-020309-0	Washer Spring	GB/T 93 Φ3
HS901	63-010308-1	Plain Washer	φ3,0.8mm
PCB-4:FPP BOARD			
	PART NO.		DESCRIPTION
	PCB INFO		
	A16-35103-22	FPP PCB	VM1.1, FR-4, 1.6mm,2Layers, 1oz, TG130
	A16-35130-22	FPP PCB ASSM	VM1.1, FR-4, 1.6mm,2Layers, 1oz, TG130, 348x128mm
	ICS		
U501, U502	03-00717-01	Buffer	NC7WZ17P6X
U504	03-02981-01	Regulator	LP2981AIM5-5.0/NOPB
U505	03-00595-01	Shift Register	SN74HC595D/74HC595D/MM74HC595M
U506	03-00165-01	8-Bit Serial or Parallel-Input/ Serial-Output Shift Register	HC165
	DIODE		
D501, D502, D503, D504, D512, D513, D515, D516	33-40352-01	Switch Diode	1SS352(TPH3,F),1SS355TE-17
D505	33-16809-10	Zener Diode	6.8V, 0.5W, LL34
D508	33-17509-03	Zener Diode	BZT52C7V5-7-F,7.5V
D506	33-40021-11	small signal&high voltage switching diodes	BAV21W
D506	or 33-40021-10	small signal&high voltage switching diodes	BAV21W-V
D507, D509	33-44148-17	Switch Diode	1N4148
D500	33-50565-01	LED	φ5,Blue. orange, BL-BJLB4274
S501, S500, S502	11-04101-05	TACT SW	
J3002	13-22004-00	Connector	PH2.0A-4A
	TRANSISTOR		
Q500, Q501	31-01015-03	Transistor	A1015, SOT23
Q502, Q504, Q506	31-01815-03	Transistor	C1815 SOT23
Q503, Q508	31-00114-05	Digital Transistor	DTC114EKA
Q505	31-02301-01	P-CH MOSFET	APM2301CAC, SOT23, Tape
Q507	31-03303-01	NPN EPITAXIAL TYPE	2SC3303
	INDUCTOR		
T500	22-00115-00	VFD TR	EER11.5,I22CD22
L501	08-04331-06	Ferrite Bead SMD	742792037, 330ohm@100MHz, ±25%, 2A
L501	or08-04300-01	Ferrite Bead SMD	BMB2A0300LN2
	CAPACITOR		
C3027, C3028	26-10321-00	Ceramic Chip Capacitor	10nK,16V,0603,X7R
C503, C506, C510, C523, C524	26-10411-00	Ceramic Chip Capacitor	100nF,16V 0603, X7R
C525, C526	26-10511-00	Ceramic Chip Capacitor	1uF,16V 0603, X7R
C507, C508, C527, C528	26-22351-00	Ceramic Chip Capacitor	22nK,50V,0603,X7R
C509, C512	26-10611-11	Chip Capacitor	10uFK,10V,X5R,0805,C2012X5R1A106KT
C511, C513, C519, C520	26-10621-02	Ceramic Chip Capacitor	10uF, -20/+80%, 25V, Y5V
C514	06-22111-40	Chip Alu Electrolytic Capacitor	220uF,16V,±20%,VES221M1CTR-0607
C515, C516	26-10212-01	Ceramic Chip Capacitor	1nJ,100V,0805,NPO
C517,C521	26-10412-02	Ceramic Chip Capacitor	100nK,100V,1206,X7R
C518, C529	06-47051-12	Electrolytic Capacitor SMD	VZH series,47uF,±20%,50V,105°C,CAE6.3x
	RESISTOR		
R513, R514, R533, R534, R537, R538, R528, R531, R536	07-90101-00	Chip Resistor	100Ω,0603,1/10W,±5%,RC0603JR-07100RL
R516	07-90472-00	Chip Resistor	4.7KΩ,0603,1/10W,±5%,RC0603JR-074K7L
R512, R518	07-98201-00	Chip Resistor	8k2Ω 0603, 1/10W, ±1%

R501, R502, R508, R509, R510, R532	07-90103-00	Chip Resistor	10KΩ,0603,1/10W,±5%,RC0603JR-0710KL
R506	07-90271-01	Chip Resistor	270Ω,0805,1/8W,±5%,RC0805JR-07270RL
R505	07-90471-01	Chip Resistor	470Ω,0805,1/8W,±5%,RC0805JR-07470RL
R526, R527	07-91201-01	Chip Resistor	1.2KΩ,0805,1/8W,±1%,RC0805FR-071K2L
R3043, R3046	07-91201-00	Chip Resistor	1.2KΩ,0603,1/8W,±1%,RC0805FR-071K2L
R520,R522, R523	07-90103-01	Chip Resistor	10KΩ,0805,1/8W,±5%,RC0805JR-0710KL
R524	07-90473-01	Chip Resistor	47KΩ,0805,1/8W,±5%,RC0805JR-0747KL
R517, R519	07-90000-02	Chip Resistor	0Ω 1206 1/4w
R515, R529, R530	07-93309-02	Chip Resistor	33Ω,1206,1/4W,±1%,RC1206FR-0733RL
R521	07-90470-03	Chip Resistor	47Ω,1210,1/2W,±5%,RC1210JR-0747RL
R525	07-90151-02	Chip Resistor	150Ω,1206,1/4W,±5%,RC1206JR-07150RL
R511	07-90331-02	Chip Resistor	330Ω,1206,1/4W,±5%,RC1206JR-07330RL
R507	07-90121-10	Chip Resistor NET	120Ω, ±5% R0603X4
R504, R535	07-90103-10	Chip Resistor NET	10KΩx4, ±5% 0603x4
CONNECTOR			
J500	13-21020-07	FFC Connector	1.0-9-20PB/ F10009Y-20-A013
	14-65120-00	20Pin Cable	1.0mm pitch,20pin,L=160mm,coplanar
	75-388001-0	VFD Cover Sheet	PC Black UL94V-0 T=0.45mm
J501, J502	13-12507-08	Connector	2.54mm,7Pin,CNT-M254-1*7-GS-7/3-N
J505	13-12504-21	Header	2.54pitch, 4Pin, CNT-M254-1*4-GS-7/3-N
	61-023512-0	Machine Screw	MB3x12
	62-010302-1	NUT	M3
	85-332002-0	Round Spacer	3.5-4.5
PCB-5:VFD BOARD			
	PART NO.		DESCRIPTION
	PCB INFO		
	A16-35106-21	VFD PCB	VM1.0, FR-4, 1.6mm,2Laers, 1oz, TG130, 172.8x48.5mm
	A16-35140-21	VFD Board+ENCODE Board	VM1.0, FR-4, 1.6mm, 2Laers, 1oz, TG130, 203.8x58.5mm
	INDUCTOR		
L500	08-04331-06	Ferrite Bead SMD	742792037, 330ohm@100MHz, ±25%, 2A
L500	or08-04300-01	Ferrite Bead SMD	BMB2A0300LN2
	RESISTOR		
R500	07-90100-01	Chip Resistor	10Ω,0805,1/8W,±5%,RC0805JR-0710RL
R503	07-90101-00	Chip Resistor	100Ω,0603,1/10W,±5%,RC0603JR-07100RL
	CAPACITOR		
C505	26-39051-00	Ceramic Chip Capacitor	39pJ,50V,0603,NPO
C500, C502	26-10411-01	Ceramic Chip Capacitor	100nK,16V,0805,X7R
C504	26-10411-00	Ceramic Chip Capacitor	100nF,16V 0603, X7R
C501	26-22660-11	Ceramic Chip Capacitor	22uF, 6.3V, X5R, 0805
	IC		
U500	03-34838-00	IR Receiver	TSOP34838
	CONNECTOR		
U503	23-01611-00	VFD DISPLAY	CIG33-1611N
	B75-211001-0	VFD Bracket	ABS 765B,Black
	67-017004-0	IR Bracket	xxxxxxx
	66-017004-0	IR Bracket	TIN Plate t=0.3mm
PCB-6:ENCODE BOARD			
	PART NO.		DESCRIPTION
	PCB INFO		
	A16-35104-21	ENCODE PCB	VM1.0, FR-4, 1.6mm,2 Layers, 1oz,, TG130, 31x45mm
	A16-35140-21	VFD Board+ENCODE Board	VM1.0, FR-4, 1.6mm, 2 Layers, 1oz,, TG130,203.8x58.5mm
	RESISTOR		
R3044, R3045	07-90103-00	Chip Resistor	10KΩ,0603,1/10W,±5%
C3029	26-10611-01	Ceramic Chip Capacitor	10uF,0805,10V,C0805C106M8PACTU
C3030, C3031	26-10411-00	Ceramic Chip Capacitor	100nF,16V 0603, X7R,±10%
	CONNECTOR		
Connect FPP Board and ENCODE Board	14-23304-00	Connector Wire	UL1007#24AWG,L=170mm
S3000	28-15304-00	Encoder	EC11E1530401
Mechanical Parts			
AC inlet to switch	A14-04201-00	Cable	UL1672#18AWG ,L=80mm
AC inlet to chassis	A14-33201-00	1PIN CBALE	L=100mm
	14-65107-00	CABLE	UL1569#22AWG,L=80mm
	A11-01101-03	ROCKER SWITCH	RF1003, TV-5 (10A 250VAC)
AC INLET	A20-12102-00	FUSE	0618001MXP, T1AL/250V
	A17-07103-12	AC Inlet	RF-2004
AC INNET TO SMPS Board	14-65102-00	CABLE	UL1672#18AWG,L=250mm
AC Cord			
	JA15-15121-00	AC Cord	LP-31 & SJT 16/3C BLK L=1800 & LS-13
	or NA15-13125-00	AC Cord	3UTJ2 & SJT 16AWG*3 L=1800 & 3GTJA
	or A15-16251-00	AC Cord	PS204 & SJT 16AWG*3 L=2000 & V1625BS

	JA15-16250-00	AC Cord	LP-34 & H05VV-F 3x1.00mm2 6' BLK & LS-60
	or NA15-16250-07	AC Cord	3VTJ1 & H05VV-F 3x1.00mm2 L=1800 BLK & 3VTJA
	or A15-10230-20	AC Cord	T973-C
REMOTE CONTROL			
	30-13510-00	Remote Control	DR-1,XHY558F43-5
	30-22100-10	Batteries	
METAL PARTS			
	67-388001-0	Chassis	SECC-N5 T=1.0mm
	65-388001-0	Chassis	SECC-N5 T=1.0mm
	67-388003-0	Subfascia	SECC-N5 T=1.0mm
	65-388003-0	Subfascia	SECC-N5 T=1.0mm
	67-388002-0B	Rear Panel	SECC-N5,T=1.0mm
	80-388002-0	Rear Panel	SECC-N5,T=1.0mm
	65-388002-0	Rear Pane	SECC-N5,T=1.0mm
PLASTIC PARTS			
PMMA	76-388001-0	VFD Lens	PMMA
	87-124001-0	Foot ASSY	
	75-124001-0	Foot	ABS765B,Black
	78-001002-1	Foot Pad	MX-48HF,HV:90°±2°, OD:25.5mm,ID14.1mm,T=3mm
FASTENERS			
HDMI Socket(3)	61-023506-0	machine Screw	MB3x6
Main PCB (3) , Power PCB (4)	61-373506-0	Machine Screw	M3x6
Rear Panel Socket(10)	61-023208-0	Self Taping Screw	BTB3x8
Lower panel(4)	61-023108-0	Self Taping Screws	STB3x8
Foot(4), Rear Panel(7),Subfascia(4), ,potentialmeter Board(2)	61-023106-0	Self Taping Screw	STB3x6
Subfascia(4)	61-063105-0	Self Taping Screw	STF3x5
LR End cap (4),FPP Board(8)	61-023206-0	self taping screw	BTB3x6
ground connection(1)	62-010402-0	Nut	GB6170-86, M4
	63-020411-0	Spring Washer	GB93-87 φ4
	63-010408-0	Plain Washer	GB97.1-85 φ4
	84-005001-0	Cable Tie	YJ-100
ACCESSORIES			
panel(1)	79-134001-0	CR Foam	CR UL94V-0
panel(1)	79-124003-0	CR Foam C	CR
panel(3)	79-134002-0	Rubber Pad	UL94V-1, 20×5.8×7.5
	86-009003-0	3mm Rubber Pad	10x10x3mm
	86-018001-0	Non-woven Cloth	24x14x0.5mm
PACKING LIST			
	88-388001-0A	Carton Box	544mmx377mmx162mm
	89-223001-1	EPE End Cap	EPE((0.028g/cm3)
	89-223002-1	EPE End Cap	EPE(0.028g/cm3)
	90-001001-0	Polybag	630X440mm
	90-223001-0	Polybag	HDPE ,550X250mm
	30-43510-00	Quick Setup Guide	157g, 420X297mm
	90-001002-0	Polybag	370*220mm HDPE
	90-001013-0	AC Cord Polybag	105X280mm
	90-009002-1	Non-woven Cloth	H=80 W=100 L=435
	94-388001-0	Series No Label	53x10mm
	86-000053-0	Copperplate Lable	53x10mm
	94-388002-0	Version Label	115x85mm
	94-388003-0	Version Label	115x85mm
	30-51500-01	Guarantee Card	210X148mm, 250g
Assembly			
	67-223003-1	Top Cover	SECC-N5, T=1.2mm,PPG:PCSC90103S#5

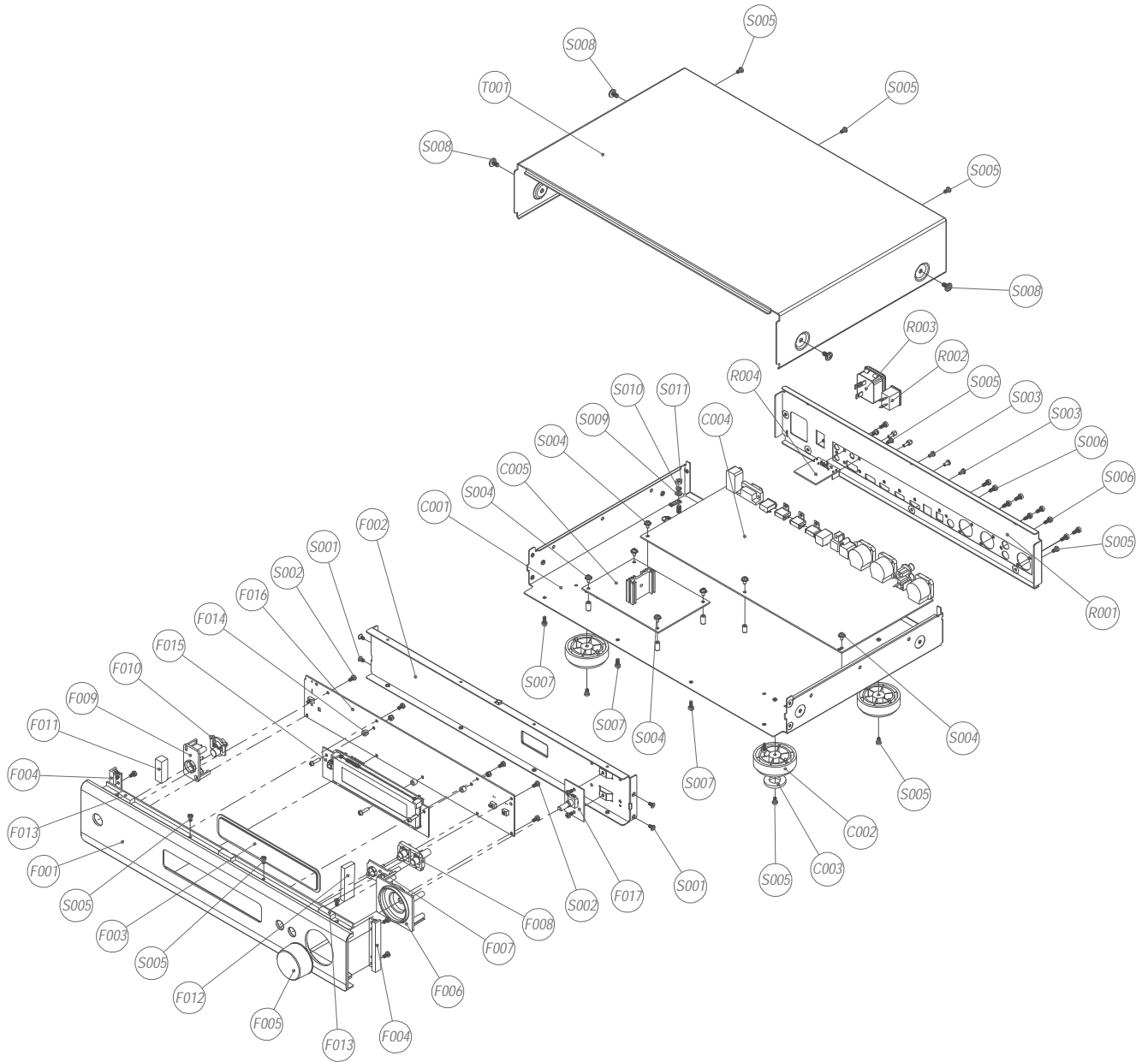
	65-223003-1	Top Cover	SECC-N5, T=1.2mm
	70-388001-0B	Fascia	AL 6063 T5
	70-134004-0	End cap	6063 T5,3460-01013
	J71-223001-0	Volume Knob	Black,420C ABS
	J71-124002-0	2P Input Button	Black
	77-223001-0	2P Input Button Bezel	PC,UL94V-0,
	J71-124001-0	Power Button	Black
	77-124004-0	Power Button Bezel	PC,UL94V-0
	Z77-223003-1	Volume Knob Bezel	ABS757
	B77-223003-1	Volume Knob Bezel	ABS757
Top Cover(3)	61-023106-0	Self Taping Screws	STB3X6
Top Cover(4)	61-084108-0	Self Taping Screws	STPW4X8

Packing Diagram



REF.N0	Part No.	Description	Qty.
1	00-35100-10	C510 AH Version	AH:1
	00-35100-20	C510 C Version	C:1
2	90-009002-1	Non-Woven Cloth	1
3	90-001001-0	Polybag	1
4	89-223001-1	EPE End Cap	1
5	89-223002-1	EPE End Cap	1
6	JA15-15121-00 or NA15-13125-00 or A15-16251-00	AC Cord	AH:1
	JA15-16250-00 or NA15-16250-07 or A15-10230-20	AC Cord	C/CT:1
7	90-001013-0	AC Cord Polybag	1
8	30-13510-00	Remote Control	1
9	30-22100-10	Batteries	2
10	30-43510-00	Quick Setup Guide	1
11	90-001002-0	Manu Polybag	1
12	88-388001-0A	Carton Box	1

ASSY EXPLODE VIEW



EXPLODED VIEW PARTS LIST

REF.NO	PART NO.	DESCRIPTION	Qty.	REF.NO	PART NO.	DESCRIPTION	Qty.
C001	67-388001-0	Chassis	1	R001	67-388002-0B	Rear Panel	1
C002	75-124001-0	Foot	4	R002	△ A11-01101-03	Rocker Switch	1
C003	78-001002-1	Foot Pad	4	R003	△ A17-07003-01	AC Inlet	1
C004	01-35101-00	MAIN BOARD	1	R004	01-35102-00	TRIG Board	1
C005	01-35105-00	SMPS BOARD	1				
F001	70-388001-0B	Fascia	1	T001	67-223003-1	Top Cover	1
F002	67-388003-0	Subfascia	1				
F003	76-388001-0	VFD Lens	1				
F004	70-134004-0	End cap	2	S001	61-063105-0	Self Tapping Screw STF3x5	4
F005	J71-223001-0	Volume Knob	1	S002	61-023206-0	Self Taping Screws BTB3x6	12
F006	Z77-223003-1	Volume Knob Bezel	1	S003	61-023506-0	Machine Screw M3x6	3
F007	77-223001-0	2P Input Button Bezel	1	S004	61-373506-0	Machine Screw M3x6,Ni	7
F008	J71-124002-0	2P Input Button	1	S005	61-023106-0	Self Taping Screws STB3x6	20
F009	77-124004-0	Power Button Bezel	1	S006	61-023208-0	Self Taping Screws BTB3x8	10
F010	J71-124001-0	Power Button	1	S007	61-023108-0	Self Taping Screws STB3x8	4
F011	79-124003-0	CR Foam C	1	S008	61-084108-0	Self Taping Screws STPW4X8	4
F012	79-134001-0	CR Foam	1	S009	63-010408-0	Plain Washer GB/T97.1, Φ4	1
F013	79-134002-0	Rubber Pad	3	S010	63-020411-0	Spring Washer GB93-87, Φ4	1
F014	85-332002-0	Round Spacer 3.5-4.5	3	S011	62-010402-0	Nut	1
F015	01-35106-00	VFD Board	1				
F016	01-35103-00	FPP Board	1				
F017	01-35104-00	Encode Board	1				