

---

## MODIFICATION

---

### ***PROBLEM:***

You may receive a complaint of the unit producing a very high whistle noise

---

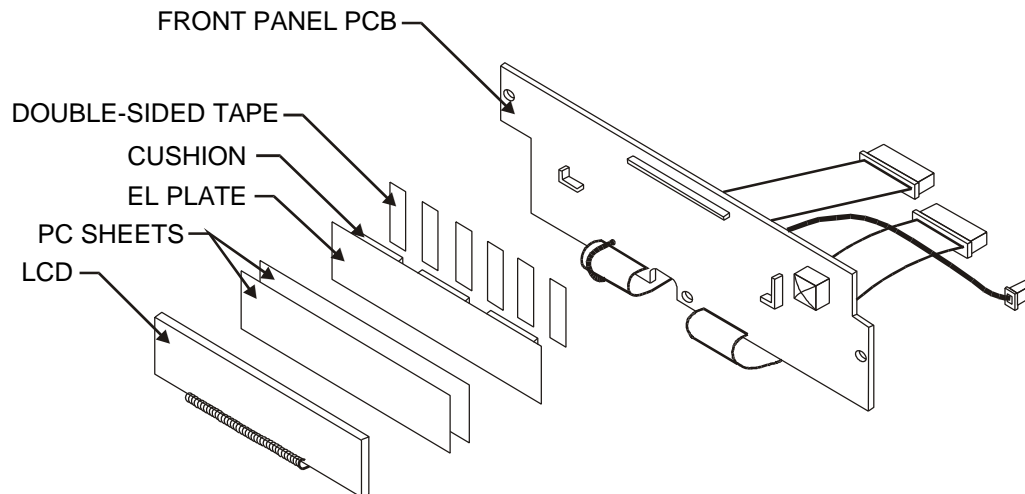
### ***CAUSE:***

The step up transformer for the display circuit is humming

---

### ***SOLUTION:***

1. Insert a transformer with more varnish impregnation
2. Apply glue to fix the step-up transformer to the main pcb
3. Add double sided tape between the cushion at the back of the EL display and the front panel pcb.  
Please refer to the drawing below



---

### ***PRODUCTION:***

This modification will be implemented in production from serialnumber: G0ZC52107201