



# Technical Bulletin C521BEE

**Product:** CD Player

**Hardware Technical Bulletin:** C521BEE-H2005-03

**Date:** March4/05

**Subject:** Laser diode protection enhancement

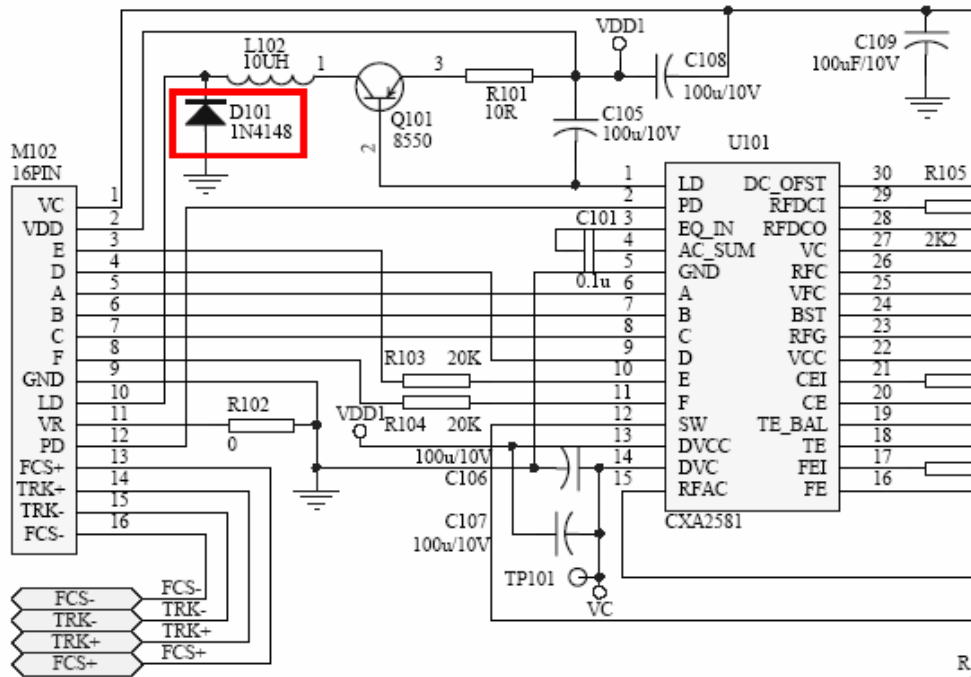
**Note:** Implemented in production from serial # : G51C521BEE37700

**Previous T.B.'s required:**

- YES
- NO

*When replacing the laser diode we recommend the following procedure.*

*Install a diode(1N4148) on the main board near the laser pick up connector as shown below.*



R1  
2

**Contact:**  
**NAD Electronics International**  
**633 Granite Court**  
**Pickering, ON Canada L1K 3K1**  
**Voice: 905-831-0799 FAX 905-837-6357**  
**www.nadelectronics.com**