
MODIFICATION

PROBLEM:

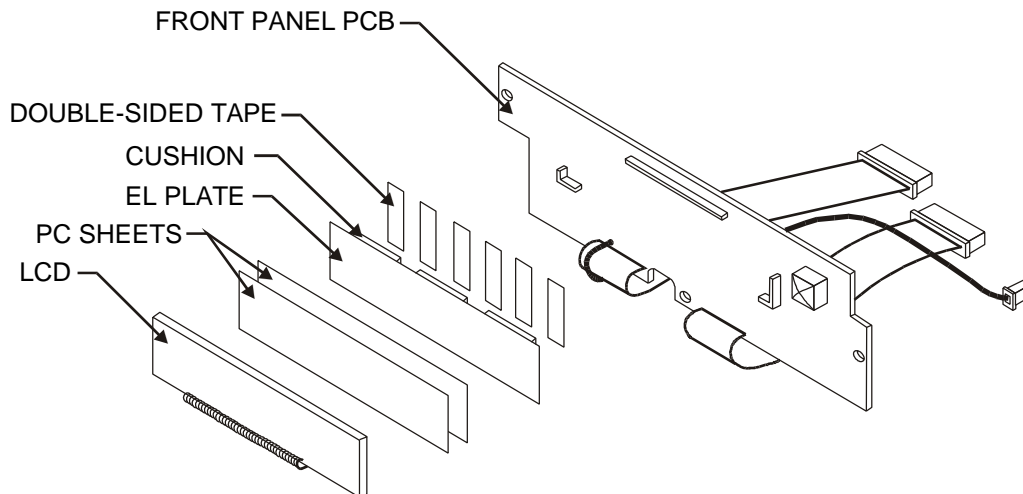
You may receive a complaint of the unit producing a very high whistle noise

CAUSE:

The step up transformer for the display circuit is humming

SOLUTION:

1. Insert a transformer with more varnish impregnation
2. Apply glue to fix the step-up transformer to the main pcb
3. Add double sided tape between the cushion at the back of the EL display and the front panel pcb. Please refer to the drawing below



PRODUCTION:

This modification will be implemented in production from serialnumber: G0ZC52107201