



Technical Bulletin C542

Product: CD Player

Hardware Technical Bulletin: C542-H2005-02

Date: March 4/05

Subject: Laser diode protection enhancement

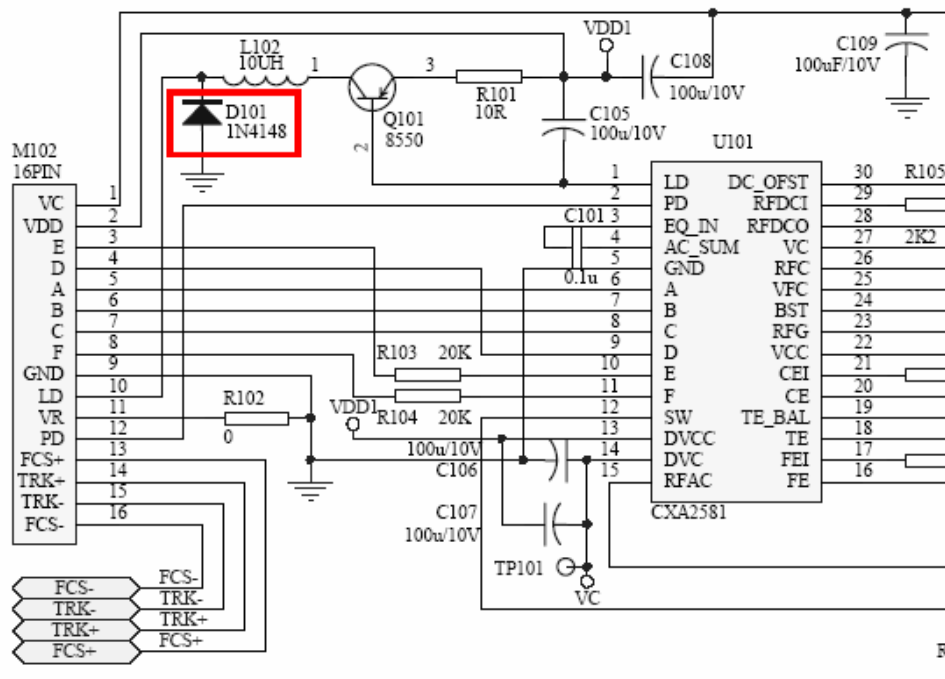
Note: Implemented in production from serial # : G51C54224300

Previous T.B.'s required:

- YES
- NO

When replacing the laser diode we recommend the following procedure.

Install a diode (1N4148) on the main board near the laser pick up connector as shown below.



Contact:
NAD Electronics International
633 Granite Court
Pickering, ON Canada L1K 3K1
Voice: 905-831-0799 FAX 905-837-6357
www.nadelectronics.com