

C1580

BluOS Network Music Player

C1580

BluOS Network Music Player

SERVICE MANUAL

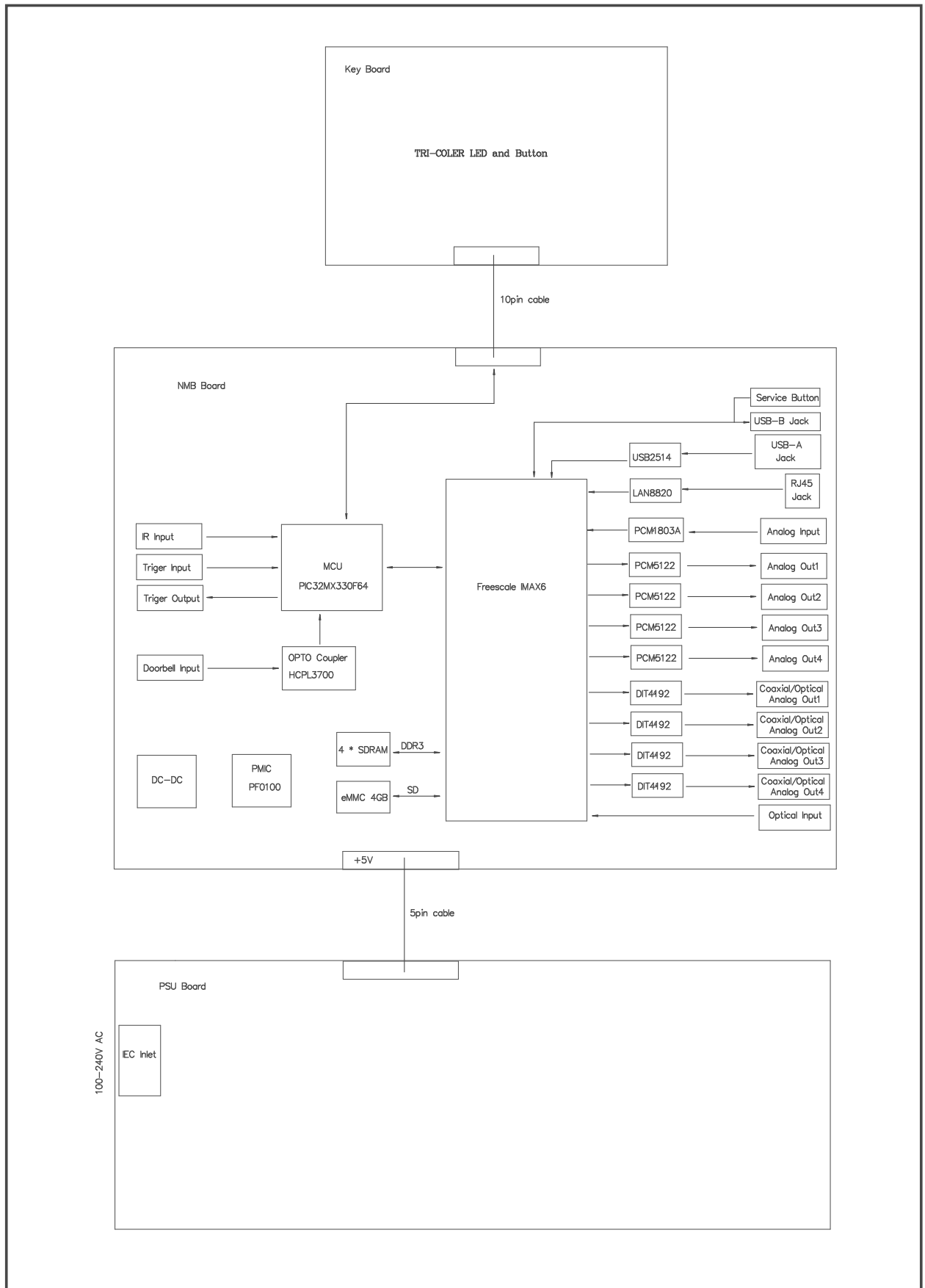


CI580 SPECIFICATIONS

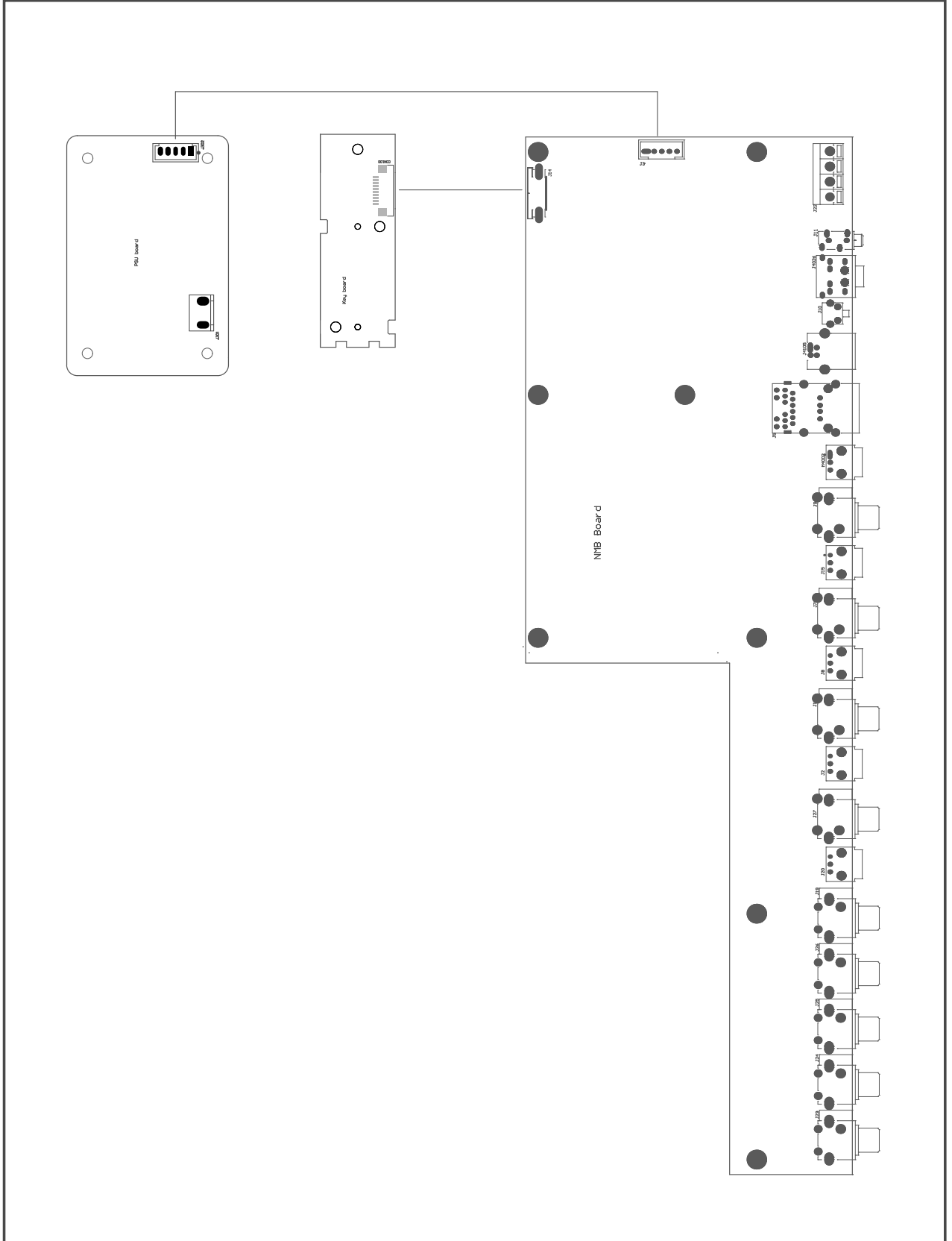
Supported Operating Systems	Microsoft Windows VISTA, 7, 8, 10, Apple Macintosh
Supported File Formats	MP3, AAC, WMA, WMA-L, OGG, FLAC, ALAC, WAV, AIFF
Supported Cloud Services	WiMP, Slacker Radio, HighResAudio, JUKE, Deezer, Murfie, HDTracks, Spotify, TIDAL, Napster, Rhapsody
Free Internet Radio	TuneIn Radio, iHeartRadio
Rated Distortion	≤0.005%
Signal-to-Noise Ratio	-110dBA
Sample Rate	32 - 192kHz
Bit Depth	16 - 24
CONNECTIONS	
INPUT	
Analogue	RCA Stereo
SPDIF	Optical (TOSLINK)
USB	Type A (for USB memory stick and supported peripherals - FAT 32 formatted)
+12V Trigger IN	12V ±20%
IR Input	3.5mm Jack
System Interrupt	For doorbell/alarms
OUTPUT	
Analogue	RCA Stereo x 4
SPDIF	Optical x 4 (TOSLINK) Coaxial x 4
+12V Trigger Out	12V ±20%
NETWORK	
Ethernet/LAN	Ethernet RJ45, GigE
USER INTERFACE	
Power	Front Panel Button
GENERAL	
Standby Power	6W (Network Standby Mode)
Dimensions (W x H x D)*	482.6 x 46 x 220mm (19.2 x 1.8 x 8.7")**
Weight	2.7kg (5.9lb)

* Gross dimensions include feet, extended buttons and rear panel terminals. ** Non-metric measurements are approximate. NAD Electronics will not assume any liability for errors being made by retailers, custom installers, cabinet makers, or other end users based on information contained in this document. Note: Installers should allow a minimum clearance of 55mm for wire/cable management.

CI580 BLOCK DIAGRAM



CI580 WIRING DIAGRAM



CI580 WIRING DIAGRAM PARTS LIST

No.	HS P/N	Description	Designator	Qty
1	44-0-002779	Cable	NMB J14 to Key board CON100	1
2	44-0-002778	Cable	NMB J3 to PSU board J302	1

CI580 PARTS LIST

HS P/N	E10 P/N	Description	Part Type	Designator	Qty
00-06060-00	00-06060-00	CI580			
01-60601-00	01-1-060601	NMB BOARD assembly		NEW	
02-60601-00	02-1-060601				
05-4-060601-2S	05-4-060601-2S	NMB Board PCB	VM1.1 FR-4,1.6mm,		1
03-06510-03	11-1-001056	Processors	MCIMX6Q5EYM10AD	U4001	1
11-1-001765	11-1-001765	FLASH	MTFC4GACAJCN-1M WT-TR	U3	1
OR 03-00162-02	OR 11-1-000953	FLASH	MTFC4GMDEA-1M-WT	U3	1
03-00125-16	11-1-000091	Buffer	NC7SP125P5X	U12, U15	2
03-05122-00	11-1-000484	DAC	PCM5122PWR	U10, U20, U29, U30	4
03-08293-00	11-1-000618	Step Down Buck Converter	RT8293BHGSP	U1, U18	2
11-1-001770	11-1-001770	USB Power Switch	RT9742EGJ5F	U25	1
03-08820-00	11-1-000633	Ethernet Transceiver	LAN8820-ABZJ	U13	1
03-00100-11	03-0-000282	PMIC	MMPF0100NPEP(program Power Node&Pulse Mini_V1)	U11	1
03-00100-07	11-1-000893	PMIC	MMPF0100NPAEP	U11	1
03-04164-01	11-1-000911	SDRAM DDR III	MT41K64M16TW-107J	U2, U4, U4010, U4026	4
03-01803-01	11-1-000281	A/D	PCM1803ADB	U21	1
03-00504-02	11-1-000159	Ultra Low Capacitance TVS Arrays	RClamp0504P.TCT	U9, U22	2
03-07404-05	11-1-000575	HEX Inverter	SN74HCU04PWR,TSSOP14	U6, U32, U34, U36, U4009	5
03-01117-17	11-1-000011	Low Dropout Linear Regulator	TLV1117LV33DCY	U17	1
03-32330-00	11-1-000758	MCU	PIC32MX330F064H-I/PT,TQFP64	U16	1
03-07486-06	11-1-000586	exclusive-OR gates	SN74LV86AD,SOIC14	U19	1
03-04192-02	11-1-000971	Digital Audio Transmitter	DIT4192IPW	U7, U31, U33, U35	4
03-03700-00	11-1-001045	OPTO COUPLER	HCPL3700SD	U14	1
03-00393-03	11-1-000005	Dual Differential Comparator	LM393DRG3	U26	1
03-04510-00	11-1-001048	OPTO COUPLER	LM4510SD/NOPB	U5	1
33-44148-22	12-1-000322	Diode	1N4148WS	D4, D9, D14, D20, D21, D22, D27, D28, D30, D31, D37, D38, D10, D11	14
33-20054-04	12-1-000168	Schottky Rectifier Diode	BAT54C-7-F,SOT-23	D13	1
33-00095-00	12-1-000032	TVS - Diodes	PESDUC9D5VU	D2	1
33-00055-00	12-1-000306	TVS Diodes	PESDNC5D5VB	D25, D26, D18	3
33-03301-00	12-1-000311	TVS - Diodes	UCLAMP3301H.TCT	D29	1
33-01017-00	12-1-000043	TVS - Diodes	SD101AW-7-F	D7, D35	2
33-00130-00	12-1-000033	SCHOTTKY DIODE	LMBR130T1G,SOD123L	D1	1
07-70500-00	21-1-001397	Multilayer Varistor for ESD Pulse	3pF, 5V, 0402, EZJZ0V500AA	D100	1
33-51206-02	12-1-000286	LED	LTST-C150GKT Green	D17	1
31-06401-01	13-1-000138	P-CH MOSFET	IRLML6401TRPBF	Q12	1
31-00114-05	13-1-000005	Digital transistor	DTC114EKAT146	Q13, Q5, Q4008, Q1, Q15	5
13-1-000279	13-1-000279	Transistor	2SC3326-A,LF	Q4, Q8, Q9, Q10, Q11, Q20, Q21, Q22, Q29, Q30, Q31, Q32, Q35, Q36, Q37, Q38	16
31-00846-01	13-1-000068	Transistor	BC846B,215,SOT23	Q6, Q24, Q25, Q26	4
31-08400-00	13-1-000168	Transistor	ZXTP08400BFFTA	Q2, Q3, Q14, Q16, Q23, Q27, Q33, Q34	8
31-04403-01	13-1-000122	Single P-Channel Enhancement MOSFET	AO4403	U8	1
07-90000-08	21-1-000004	Chip Resistor	OR 0402	R19, R65, R147, R163, R354, R355, R362, R440, R441, R453, R454, R455, R456, R457, R458, R459, R460, R462, R463, R475, R476, R477, R478, R480, R481, R493, R494, R495, R496, R255, R301, R303, R243, R256, R95, R96, R300, R73, R86, R90, R91, R92, R99, R160, R162, R206, R261, R305, R373, R423, R217, R223, R225, R228, R230, R179, R272, R277, R278, R279, R280, R289, R290, R173, R314, R315, R316, R317, R325, R326, R214, R216, R497, R498, R4143, R4258, R4364, R4365, R4366, R4390, R4410, R140, R142	83
07-90000-00	21-1-000001	Chip Resistor	0Ω, 0603, ±5%	R20, R298, R339, R340, R58, R97, R293	7
07-90000-01	21-1-000002	Chip Resistor	0Ω,0805,1/8W,±5%	R34, R35, R39, R75, R76, R110, R125, R126, R146, R801, R803, R68, R141	13
07-91009-00	21-1-000035	Chip resistor	100Ω,0603,1/10W,±1%,RC0603FR-0710RL	R200, R201, R202, R286, R291, R447, R448, R449, R450, R451, R469, R470, R471, R472, R473, R487, R488, R489, R490, R491, R4144, R4147, R4159, R4160, R4161	25
07-90101-08	21-1-000139	Chip Resistor	100Ω,0402,1/16W,±5%,RC0402JR-07100RL	R23, R4020, R348	3
07-90102-08	21-1-000146	Chip Resistor	1KΩ,0402,1/16W,±5%,RC0402JR-071KL	R388, R13	2
07-98061-08	21-1-001324	Chip Resistor	8.06KΩ,0402,1/16W,±1%,RTT028061FTH	R114	1
07-90103-08	21-1-000151	Chip Resistor	10KΩ,0402,1/16W,±5%,RC0402JR-0710KL	R24, R25, R40, R77, R79, R89, R116, R117, R119, R210, R211, R234, R237, R292, R307, R308, R318, R319, R320, R321, R327, R375, R376, R378, R405, R406, R407, R425, R426, R428, R4412, R7, R12, R41, R26, R78, R193, R389, R100, R85	40
07-90104-08	21-1-000159	Chip Resistor	100KΩ,0402,1/16W,±5%,RC0402JR-07100KL	R208, R329, R384, R386, R430, R143, R192, R159, R248, R273, R276, R67, R3	13
07-90105-00	21-1-000160	Chip Resistor	1MΩ,0603,1/10W,±5%,RC0603JR-071ML	R401	1

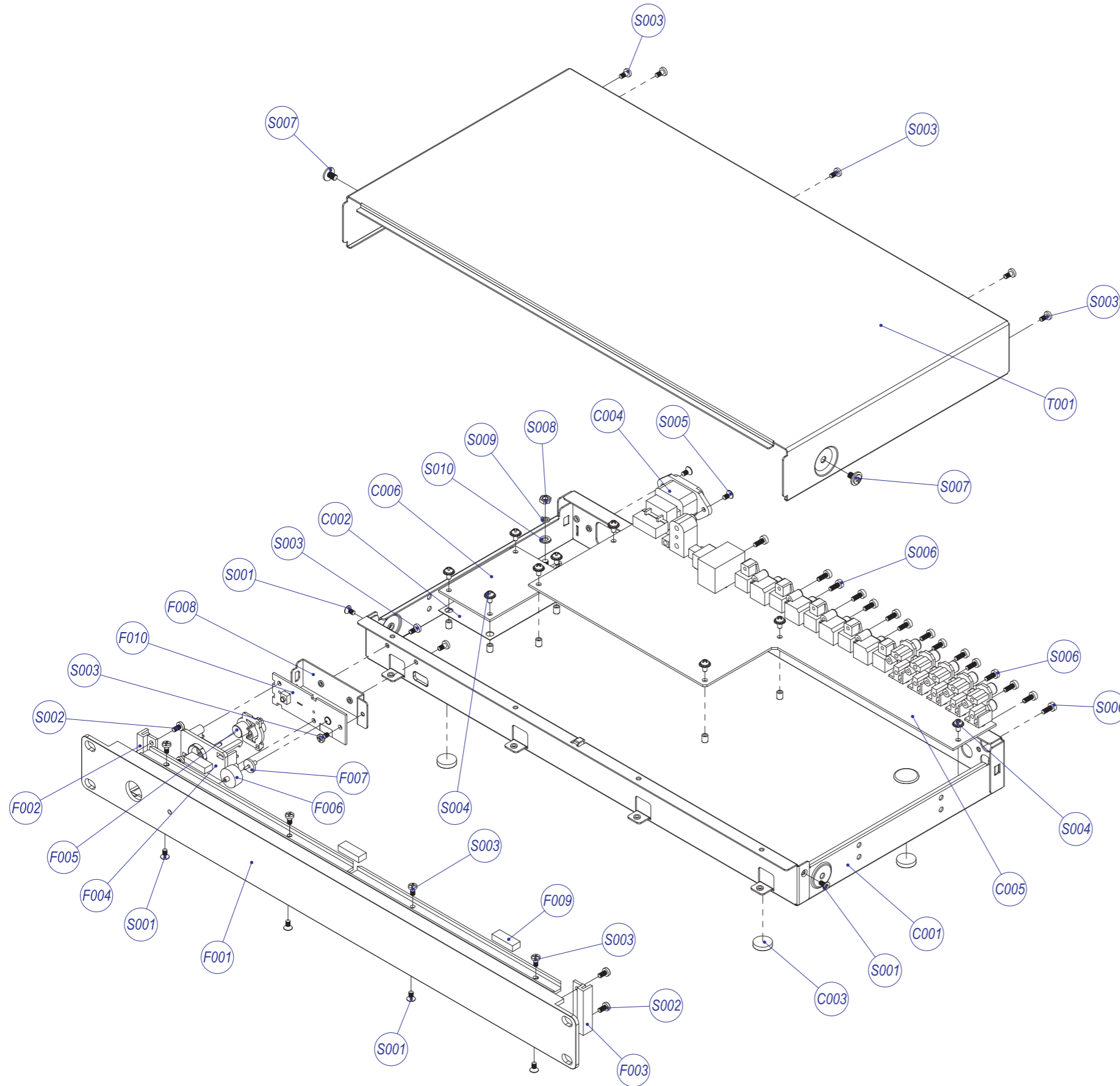
HS P/N	E10 P/N	Description	Part Type	Designator	Qty
07-90105-08	21-1-000163	Chip Resistor	1M Ω ,0402,1/16W, \pm 5%,RC0402JR-071ML	R21, R107, R94	3
07-90121-00	21-1-000179	Chip Resistor	120 Ω ,0603,1/10W, \pm 5%,RC0603JR-07120RL	R285, R446, R468, R486, R4127, R43	6
07-90222-08	21-1-000269	Chip Resistor	2.2K Ω ,0402,1/16W, \pm 5%, RC0402JR-072K2L	R198, R263, R366, R416	4
07-90223-08	21-1-000274	Chip Resistor	22K Ω ,0402,1/16W, \pm 5%, RC0402JR-0722KL	R52, R55, R71	3
07-90225-08	21-1-000282	Chip Resistor	2.2M Ω ,0402,1/16W, \pm 5%, RC0402JR-072M2L	R9	1
07-90330-08	21-1-000325	Chip Resistor	33 Ω ,0402,1/16W, \pm 5%, RC0402JR-0733RL	R28, R33, R120, R149, R155, R199, R203, R204, R205, R218, R219, R238, R239, R240, R244, R249, R250, R257, R264, R265, R266, R267, R268, R270, R271, R283, R284, R287, R288, R295, R296, R297, R299, R344, R349, R367, R368, R369, R370, R371, R372, R417, R418, R419, R420, R421, R422, R4126, R4245, R10, R11, R14, R15, R37, R82, R93, R118, R127, R128, R129, R135, R136, R144, R165, R166, R443, R444, R465, R466, R483, R484, R4330	72
07-90331-08	21-1-000331	Chip Resistor	330 Ω ,0402,1/16W, \pm 5%, RC0402JR-07330RL	R310, R350, R377, R403, R427, R4018	6
07-92430-00	21-1-000853	Chip Resistor	243 Ω ,0603,1/10W, \pm 1%,RC0603FR-07243RL	R60, R187, R189, R242	4
07-91070-00	21-1-000545	Chip Resistor	107 Ω ,0603,1/10W, \pm 1%,RC0603FR-07107RL	R186, R188, R191, R245	4
07-90470-00	21-1-000378	Chip Resistor	47 Ω ,0603,1/10W, \pm 5%,RC0603JR-0747RL	R269, R334, R445, R467, R485, R62	6
07-90471-08	21-1-000389	Chip Resistor	470 Ω ,0402,1/16W, \pm 5%,RC0402JR-07470RL	R195, R196, R247, R258, R363, R364, R413, R414	8
07-90472-08	21-1-000395	Chip Resistor	4.7K Ω ,0402,1/16W, \pm 5%, RC0402JR-074K7L	R6, R22, R157, R158, R178, R180, R181, R190, R209, R226, R227, R229, R241, R328, R345, R347, R353, R356, R357, R358, R360, R379, R392, R393, R395, R397, R408, R411, R412, R429, R435, R436, R36, R38, R54, R59, R61, R63, R80, R98, R101, R220, R221, R222, R232, R282, R185, R121, R51, R115, R122, R123, R48, R49, R50, R346	56
07-91801-08	21-1-000714	Chip Resistor	1.8K Ω ,0402,1/16W, \pm 1%,RC0402FR-071K8L	R330, R331, R332, R333, R380, R381, R382, R383, R385, R398, R399, R400, R431, R432, R433, R434	16
07-90473-00	21-1-000398	Chip Resistor	47K Ω ,0603,1/10W, \pm 5%,RC0603JR-0747KL	R171, R175, R213, R224, R337, R343, R404, R410	8
07-90683-08	21-1-000462	Chip Resistor	68K Ω ,0402,1/16W, \pm 5%, RC0402JR-0768KL	R108, R109, R31, R32	4
07-91000-00	21-1-000019	Chip Resistor	100 Ω ,0603,1/10W, \pm 1%,RC0603FR-07100RL	R251, R252	2
07-91001-08	21-1-000503	Chip Resistor	1.00K, \pm 1%, 0402	R113, R131, R133, R151, R152, R153	6
07-92000-08	21-1-000755	Chip Resistor	200 Ω ,0402,1/16W, \pm 1%,RC0402FR-07200RL	R351, R4494, R156, R2	4
07-90201-00	21-1-000238	Chip Resistor	200 Ω ,0603,1/10W, \pm 5%,RC0603JR-07200RL	R167, R174, R212, R215, R335, R338, R402, R409	8
07-92400-08	21-1-001443	Chip Resistor	240 Ω , 0402, 1/16W, \pm 1%, RC0402FR-07240RL	R27, R29, R304, R4028, R4030	5
07-92402-08	21-1-000846	Chip Resistor	24.0K Ohm 0402 1% 1/10W	R69	1
07-93321-08	21-1-000986	Chip Resistor	3.32K Ω ,1/16W, \pm 1%,0402,RC0402FR-073K32L	R197, R262, R365, R415	4
07-94999-08	21-1-001147	Chip Resistor	49.9 Ω ,0402,1/16W, \pm 1%,RC0402FR-0749R9L	R4, R81, R83, R84, R87, R104, R105, R106	8
07-96041-08	21-1-001228	Chip Resistor	6.04K Ω ,0402,1/16W, \pm 1%,RC-02K6041FTLFP	R42, R4411	2
07-97502-08	21-1-001312	Chip Resistor	75K Ω ,0402,1/16W, \pm 1%,RC0402FR-0775KL	R57, R70	2
07-90000-03	21-1-000122	Chip Resistor	0 Ω ,1210,1/2W, \pm 5%,RC1210JR-070RL	R139, R169	2
07-90100-08	21-1-000132	Chip Resistor	10 Ω ,0402,1/16W, \pm 5%, RC0402JR-0710RL	R352	1
07-91002-00	21-1-000024	Chip Resistor	10K Ω ,0603,1/10W, \pm 1%,RC0603FR-0710KL	R134, R235, R236, R313	4
07-91501-08	21-1-000653	Chip Resistor	1.5K Ω ,0402,1/16W, \pm 1%,RC0402FR-071K5L	R124, R1	2
07-91502-00	21-1-000656	Chip Resistor	15K Ω ,0603,1/10W, \pm 1%,RC0603FR-0715KL	R281	1
07-93309-00	21-1-000078	Chip Resistor	33 Ω ,0603,1/10W, \pm 1%,RC0603FR-0733RL	R4155	1
07-93302-00	21-1-000963	Chip resistor	33K Ω ,0603,1/10W, \pm 1%,RC0603FR-0733KL	R4014	1
07-94701-00	21-1-000088	Chip Resistor	4.7K Ω ,0603,1/10W, \pm 1%,RC0603FR-074K7L	R4156	1
07-94702-08	21-1-001090	Chip Resistor	47K Ω ,0402,1/16W, \pm 1%,RC0402FR-0747KL	R275	1
07-96801-08	21-1-001265	Chip Resistor	6.8K Ω ,0402,1/16W, \pm 1%,RC0402FR-076K8L	R274	1
07-91910-08	21-1-000741	Chip Resistor	191 Ω ,0402,1/16W, \pm 1%,RC0402FR-07191RL	R4023	1
07-92001-08	21-1-000759	Chip Resistor	2K Ω ,0402,1/16W, \pm 1%,RC0402FR-072KL	R499	1
07-91000-06	21-1-000498	Chip Resistor	100 Ω ,2512,1W, \pm 1%,RC2512FK-07100RL	R233	1
07-90339-06	21-1-000348	Chip Resistor	3.3 Ω ,2512,1W, \pm 5%,RC2512JK-073R3L	R137	1
07-91002-08	21-1-000026	Chip Resistor	10K Ω ,0402,1/16W, \pm 1%,RC0402FR-0710KL	R183, R500	2
21-1-001733	21-1-001733	Chip Resistor	46.4K Ω ,1%, 0402, RC0402FR-0746K4L	R18	1
21-1-001734	21-1-001734	Chip Resistor	174K Ω , 1%, ,0402, RC0402FR-07174KL	R30	1
21-1-001735	21-1-001735	Chip Resistor	20.5K Ω ,1%, 0402, RC0402FR-0720K5L	R5	1
26-10321-08	23-1-000219	Chip Capacitor	10nF,25V,0402,X7R,CC0402KRX7R8BB103	C434	1
26-10411-08	23-1-000235	Ceramic Chip Capacitor	100nF,16V,0402,X7R, \pm 10%,C1005X7R1C104KT	C69, C71, C74, C79, C81, C91, C92, C93, C94, C96, C104, C105, C110, C112, C113, C121, C137, C151, C185, C186, C187, C188, C192, C200, C202, C203, C204, C205, C206, C211, C212, C218, C219, C220, C255, C263, C272, C273, C274, C277, C278, C293, C295, C297, C299, C318, C321, C326, C329, C334, C337, C372, C475, C476, C477, C480, C88, C13, C14, C17, C83, C103, C146, C165, C166, C169, C171, C176, C195, C197, C199, C225, C231, C233, C234, C235, C238, C242, C244, C249, C266, C312, C316, C319, C322, C324, C330, C332, C338, C343, C397, C399, C4047, C4305, C145, C155, C250, C259, C294, C138, C139, C140, C141, C208, C215	105
26-10411-00	23-1-000028	Ceramic Chip Capacitor	100nF,16V 0603, X7R	C4046	1
26-22411-18	23-1-000390	Ceramic Chip Capacitor	0.22uF,16V,0402,X7R, \pm 10%,GRM155R71C224KA12D	C50, C51, C144, C162, C4048, C4049, C7, C282, C4100, C4101	10
26-47411-08	23-1-000527	Ceramic Chip Capacitor	470nF,10V,0402,X5R,C1005X5R1A474KT00OE	C9, C11, C12, C16	4

HS P/N	E10 P/N	Description	Part Type	Designator	Qty
26-10151-08	23-1-000017	Ceramic Capacitor SMD	100pJ,50V,0402,NPO,CC0402JRNPO9BN101	C59, C63, C100, C253, C256	5
26-10511-18	23-1-000261	Chip Capacitor	1uK,16V,0402,X5R,C1005X5R1C105K	C98, C108, C210, C213, C229, C248, C3, C5, C15, C191	10
26-18051-00	23-1-000044	Ceramic Chip Capacitor	18pJ,50V,0603,NPO	C193, C194	2
26-10611-21	23-1-000039	Ceramic Chip Capacitor	10uK,16V,0805,X5R,C2012X5R1C106KT / CC0805KKX5R7BB106	C48, C68, C95, C97, C102, C132, C142, C161, C168, C201, C207, C237, C239, C265, C267, C315, C317, C323, C325, C331, C333, C339, C344, C8, C127, C398, C116, C373, C46, C107, C222, C236, C286, C305	34
26-15051-08	23-1-000316	Ceramic Chip Capacitor	15pF,50V,0402,NPO,±5%,C1005C0G1H150JT	C41, C42, C43, C44, C66	5
26-22251-08	23-1-000370	Ceramic Chip Capacitor	2.2n,50V,X7R,CC0402KRX7R9BB222	C57, C135, C209, C214, C221, C283, C284, C302, C303, C483, C484	11
26-22460-19	23-1-000674	Ceramic Chip Capacitor	0.22uF 6.3V 0201 X5R 20% CC0201MRX5R5BB224	C1, C2, C4, C6, C10, C20, C21, C23, C24, C35, C36, C45, C53, C54, C55, C56, C58, C60, C62, C64, C65, C67, C73, C75, C76, C80, C82, C84, C87, C99, C122, C128, C129, C130, C143, C149, C152, C153, C154, C156, C158, C159, C160, C163, C164, C167, C170, C172, C173, C182, C226, C227, C228, C230, C232, C240, C241, C246, C261, C370, C371, C374, C377, C380, C395, C400, C401, C402, C407, C422, C424, C427, C428, C429, C430, C433, C435, C438, C439, C440, C441, C442, C443, C444, C445, C447, C450, C451, C453, C454, C456, C466, C469, C4052, C4057, C4059, C4063, C4066, C4068, C4069, C4074, C4081, C4083, C4085, C4088, C4165, C4168, C4169, C4171, C4174, C4175, C4420, C178, C457, C458, C459, C460, C461, C462, C463, C464, C465	122
26-22511-20	23-1-000055	Ceramic Chip Capacitor	2.2uK,16V,0603,X7R	C85, C101, C280, C281, C300, C301, C478, C482	8
26-22521-21	23-1-000406	Ceramic Chip Capacitor	2.2uF,±10%,25V,X7R,0805,GRM21BR71E225KA	C181	1
23-1-001026	23-1-001026	Ceramic Chip Capacitor	22uM,25V,0805,X5R,CL21A226MAQNNNE	C38, C86, C117, C118, C119, C120, C124, C126, C296, C375, C376, C378, C379, C381, C382, C383, C109, C125, C279, C90, C133, C134, C251	23
23-1-001028	23-1-001028	Ceramic Chip Capacitor	22uM,6.3V,0603,X5R,GRM188R60J226MEA0D	C39, C40, C61, C70, C72, C78, C89, C148, C157, C183, C417, C426, C431, C455, C467, C468, C4071, C4077, C4079, C147, C177, C179, C180, C189	24
26-47151-08	23-1-000505	Ceramic Chip Capacitor	470pF,50V,0402,NPO,±5%,C1005C0G1H471JT	C260, C264, C268, C269, C270, C275, C288, C289, C290, C291, C307, C308, C309, C310, C340, C341, C114	17
26-47511-20	23-1-000544	Ceramic Chip Capacitor	4.7uF 16V 0603 X5R 10% C1608X5R1C475KT00E	C18, C19, C25, C26, C28, C29, C30, C31, C32, C33, C34, C37, C123, C243, C313, C314, C27	17
26-47660-01	23-1-000560	Ceramic Chip Capacitor	47uF 6.3V 0805 X5R 20% CER	C77, C276, C298, C479	4
26-10611-20	23-1-000281	Multilayer Ceramic CAP	10uF,10V,0603,X5R,±20%	C150, C198	2
26-22051-08	23-1-000047	Ceramic Chip Capacitor	22pJ,50V,0402,NPO,C1005C0G1H220JT/C0402JRNPO9BN220	C174, C175, C196, C320, C328, C327	6
26-10251-08	23-1-000206	Ceramic Chip Capacitor	1nF,50V,0402,X7R,±10%,C1005X7R1H102KT	C111	1
26-10351-00	23-1-000025	Ceramic Chip Capacitor	10nK,50V,0603,X7R,CC0603KRX7R9BB103	C52	1
26-27051-00	23-1-000420	Ceramic Chip Capacitor	27pJ,50V,0603,NPO	C136	1
26-33051-00	23-1-000061	Ceramic Chip Capacitor	33pJ,50V,0603,NPO,C1608C0G1H330JT	C4304	1
26-47521-11	23-1-000548	Ceramic Capacitor SMD	4.7uK,25V,X5R,0805,C2012X5R1E475KTJ00E	C49	1
06-10951-01	23-1-000118	Chip Alu Electrolytic Capacitor	1uF, 50V, 20%, 4*5.4	C257, C258	2
06-47011-18	23-1-000155	Electrolytic Capacitor SMD	47uF,10V,±20%,VZH470M1A0506-TR0,5x6mm	C47, C217, C223, C287, C306	5
06-10011-09	23-1-000075	Chip Alu Electrolytic Capacitor	VSS/CS/VES Series,10uF,16V,±20%,85°	C216, C245, C247, C262, C285, C304, C4306	7
06-22111-24	23-1-000007	SMD Electrolytic Capacitor	220uF,16V,±20%,105° ,VZH221M1C0607-TR0	C106	1
04-12402-15	14-1-000097	Crystal	X32-24.000-12P-20 24MHz 20ppm CL=12pF 3.2X2.5mm	Y1	1
04-12502-06	14-1-000043	Crystal SMD	25MHz,FL=30PPM,CL=20pF,49SMD M49-25.000-20P-30/30Y	Y3	1
04-13279-08	14-1-000057	CRYSTAL	32.768KHZ,12.5PF,10PPM,ABS06-32.768KHZ-1-T	Y6	1
04-18001-03	14-1-000065	Crystal	8.000MHz,20pF,30PPM,MJ2-8.000-20P-30/30Y	Y4	1
08-04121-20	24-1-000068	FER BEAD	120Ohm @ 100MHz, 3A, 25m Ohm DC	L8, L27	2
08-04221-04	24-1-000099	Ferrite Bead SMD	BLM21PG221SH1D,0805	L23, L24, L4052, L20, L21, L46	6
08-04121-18	24-1-000066	FERRITE	120Ohm @ 100MHz, 1.3A, 90m Ohm DC	L9, L12, L15, L17, L18, L19, L28, L38, L39, L40, L22, L26, L32, L34, L14, L25	16
08-04221-02	24-1-000097	FER BEAD	220Ohm @ 100MHz, 3A, 50m Ohm DC	L10, L13	2
08-04109-10	24-1-000052	Inductor	1uH,2A,±30%,744031010	L5, L6	2
08-04109-12	24-1-000053	Inductor	74437324010	L3, L4	2
08-04229-15	24-1-000114	Inductor	744029002	L7	1
08-04479-19	24-1-000166	Inductor	NR8040T4R7N, 4.7uH 4.1A 8mmx8mm 0.65 Ohm	L2, L11, L29	3
08-04109-09	24-1-000051	Inductor	VLS252010ET-1R0N	L1	1
20-13302-01	27-1-000008	Fuse	S0603-F-3.0A,3A,32V	F1	1
13-21010-04	43-1-000039	FPC Connector SMD	GL76S09-10-T,1.0mm gap	J14	1
13-12504-30	42-2-000141	Connector	2.54mm gap, 4Pin, CNT-M254-1*4-GS-5.6/3-N	J13	1
17-08002-04	46-0-000240	RJ45 Connector	HR981180C	J5	1
11-04101-71	25-2-000057	Tact Switch	ELTS-A-61KN-H	J10	1
17-06001-07	46-0-000189	Optical Receive	DLR2180/25M	M4002	1
03-01180-01	46-0-000329	Light Transmitting/Receiving Units	DLT2180A-2(25M)	J2, J8, J15, J20	4
17-02002-09	46-0-000145	Phone Jack	SCJ351P00WS0BP6G	J4026	1
17-02001-72	46-0-000131	Phone Jack	CKX-3.5-31A	J11	1
43-2-000714	43-2-000714	Terminal Block	2EHDR-04P-BK,300V 15A(SP-03-2EHDRCP0)	J22	1
17-08001-66	46-0-000235	USB Connector	B type, 90°	J4105	1

HS P/N	E10 P/N	Description	Part Type	Designator	Qty
17-01001-07	46-0-000004	RCA	1 heads,Black,AV-8.4-14PB1	J27, J1, J7, J9	4
30-27400-00	39-0-000009	Batteries	3V 5.5MAH, MS621FE FL11E	BAT100	1
31-01220-00	13-2-000047	Power Transistor	KSA1220AYS,TO-126	Q7	1
06-47111-14	23-2-000502	Alu Electrolytic Capacitor	HEN,470uF,16V,±20%,105§	C190	1
13-22505-00	43-2-000169	Connector	XHB 2.5A-5A	J3, J21	2
86-000178-0	85-3-000068	Copperplate Label	PET 38×1mm		3
01-60602-00	01-1-060602	Key Board Assembly			
02-60602-00	02-1-060602				
05-4-060602-1S	05-4-060602-1S	Key board PCB	VM1.0,FR-4,1.6mm		1
33-51616-00	12-1-000290	three color LED	WE-SP195UBURUGW,	D100	1
07-90000-00	21-1-000001	Chip Resistor	0Ω, 0603, ±5%	R100, R101, R102, R103	4
26-10511-20	23-1-000035	Ceramic Chip Capacitor	1uK,16V,0603,X7R,C1608X7R1C105K	C102	1
26-10351-00	23-1-000025	Ceramic Chip Capacitor	10nK,50V,0603,X7R,CC0603KRX7R9BB103	C101, C103	2
13-21010-04	43-1-000039	FPC Connector SMD	GL76S09-10-T,1.0mm gap	CON100	1
11-04101-05	25-2-000042	TACT SW	IT-1102A-1160	S1	1
44-0-002779	44-0-002779	FFC	1.0mm gap		1
01-60603-00	01-1-060603	PSU BOARD Assembly			
02-60603-00	02-1-060603	PSU BOARD SMT	SMT		
05-4-060603-1S	05-4-060603-1S	PSU BOARD PCB	VM1.0,FR-4,1.6mm		1
33-40321-00	12-1-000236	Switch Diode	BAS321	D303	1
33-25100-00	12-1-000341	diode	MBRD5H100T4G	D304	1
33-30113-00	12-1-000218	BRIDGE RECTIFIER	DBLS157G	BR301	1
33-20220-01	12-1-000013	Ultrafast Power Rectifier	MURA220T3G	D301	1
33-20020-00	12-1-000164	Super Fast Rectifier Diode	BYG20J-E3/TR3	D302	1
A03-00817-09	11-1-000862S	Photo Coupler	EL817S1(B)(TA)-F	OP301	1
03-00431-05	11-1-000006	Regulator	TL431CDBZR	IC302	1
03-02102-00	11-1-000903	IC	TC54VN2102ECB713	U301	1
31-03904-03	13-1-000113	Transistor	MMBT3904LT1,SOT-23	Q301	1
07-90000-01	21-1-000002	Chip Resistor	0Ω,0805,1/8W,±5%	R301, R312	2
07-90689-01	21-1-000465	Chip Resistor	6.8Ω,0805,1/8W,±5%,RC0805JR-076R8L	R317	1
07-92209-01	21-1-000810	Chip Resistor	22Ω,0805,1/8W,±5%,RC0805FR-0722RL	R318, R319	2
07-94700-01	21-1-001083	Chip Resistor	470Ω,0805,1/8W,±5%,RC0805FR-07470RL	R313	1
07-91001-01	21-1-000023	Chip Resistor	1KΩ,0805,1/8W,±5%,RC0805FR-071KL	R314	1
07-94701-01	21-1-001087	Chip Resistor	4.7KΩ,0805,1/8W,±5%,RC0805FR-074K7L	R315, R321	2
07-92202-01	21-1-000062	Chip Resistor	22KΩ,0805,1/8W,±5%,RC0805FR-0722KL	R316	1
07-91002-01	21-1-000025	Chip Resistor	10KΩ,0805,1/8W,±5%,RC0805FR-0710KL	R302, R320	2
07-91803-01	21-1-000720	Chip Resistor	180KΩ,0805,1/8W,±5%,RC0805FR-07180KL	R311	1
07-90205-02	21-1-000009	Chip Resistor	2MΩ,1206,1/4W,±5%,RC1206JR-072ML	R303, R304, R305, R306	4
07-93304-01	21-1-000968	Chip Resistor	3.3MΩ,0805,1/8W,±5%,RC0805FR-073M3L	R307, R308, R309	3
26-10451-11	23-1-000249	Chip capacitor	100nK,50V,0805,X7R,C2012X7R1H104KT	C309, C311	2
08-04331-01	24-1-000130	Ferriet Bead	BLM21AG331SH1D, 330R/100MHz 1.5A,0805	L301	1
07-30683-04	21-2-000523	Metal Oxide film Resistor	RY21, 68KΩ, 2W, ±5%,Pitch=5mm	R310	1
A07-70080-01	21-2-000619S	NTC	SCK08082MSY, 8Ω 2A	TH301	1
03-00265-00	11-2-000024	Power controller IC	TOP265EG	IC301	1
A20-12122-04	27-2-000018S	FUSE	5ET-013HA,T1.25A/250V	FUSE301	1
06-10051-24	23-2-000100	Alu Electrolytic Capacitor	CD281L,10uF,50V,105§ ,F2.5	C301, C302	2
06-47031-01	23-2-000473	Alu Electrolytic Capacitor	CD286,47uF,35V,±20%,F2.5	C310	1
06-47051-05	23-2-000482	Alu Electrolytic Capacitor	CD286,47uF,50V,±20%,105§	C305	1
06-10211-13	23-2-000180	Alu Electrolytic Capacitor	CD284, 1000uF, 10V, ±20%	C306, C307	2
25-47242-02	23-2-000760	Metallized Polyester Film Capacitor	CL23B-400V-472KR, C242G472K20A201	C304	1
A25-10422-07	23-2-000825S	Interfemece Suppression Cap	MPX,0.1uF/275V,13mm*6mm,10%,Pitch=10mm	CX301, CX302	2
05-10113-00	23-2-000001	High Voltage Ceramic Disc Capacitor	100pF, 10%, 1KV,CT81-1KV-06c-2B4-101K	C308	NC
A05-22242-00	23-2-000815S	Hign Voltage Cermatic Capacitor	2.2nF, 400V(X1), 250V(Y1), ±20%, Pitch=10mm,CT81-400VAC-12b-2E4-222M-YA	CY301	1
A05-10242-00	23-2-000017S	Hign Voltage Cermatic Capacitor	1nF, 400V(X1), 250V(Y1), ±20% CT81-400VAC-08b-2E4-102M-YA	CY302, CY303	2
06-47042-01	23-2-000477	Alu Electrolytic Capacitor	CD263,47uF,400V,±20%,105§ / RGA470M2GBK-1625	C303	1
22-00098-00	24-2-000008	common mode line chokes	10mH/UF9.8	L302	1
08-02339-00	24-2-000076	Inductor	3.3uH	L303	1
85-211001-0	75-0-000056	Parts Housing	PTB, TC-21	IC301	1
61-063510-1	65-0-000010	Machine Screw	MF3×10	IC301	1
62-010302-0	65-0-000016	Nut	GB6170, M3,	IC301	1
70-595001-0	61-2-059501-0	Light speaker Power heatsink 1	AL 5052	IC301	1

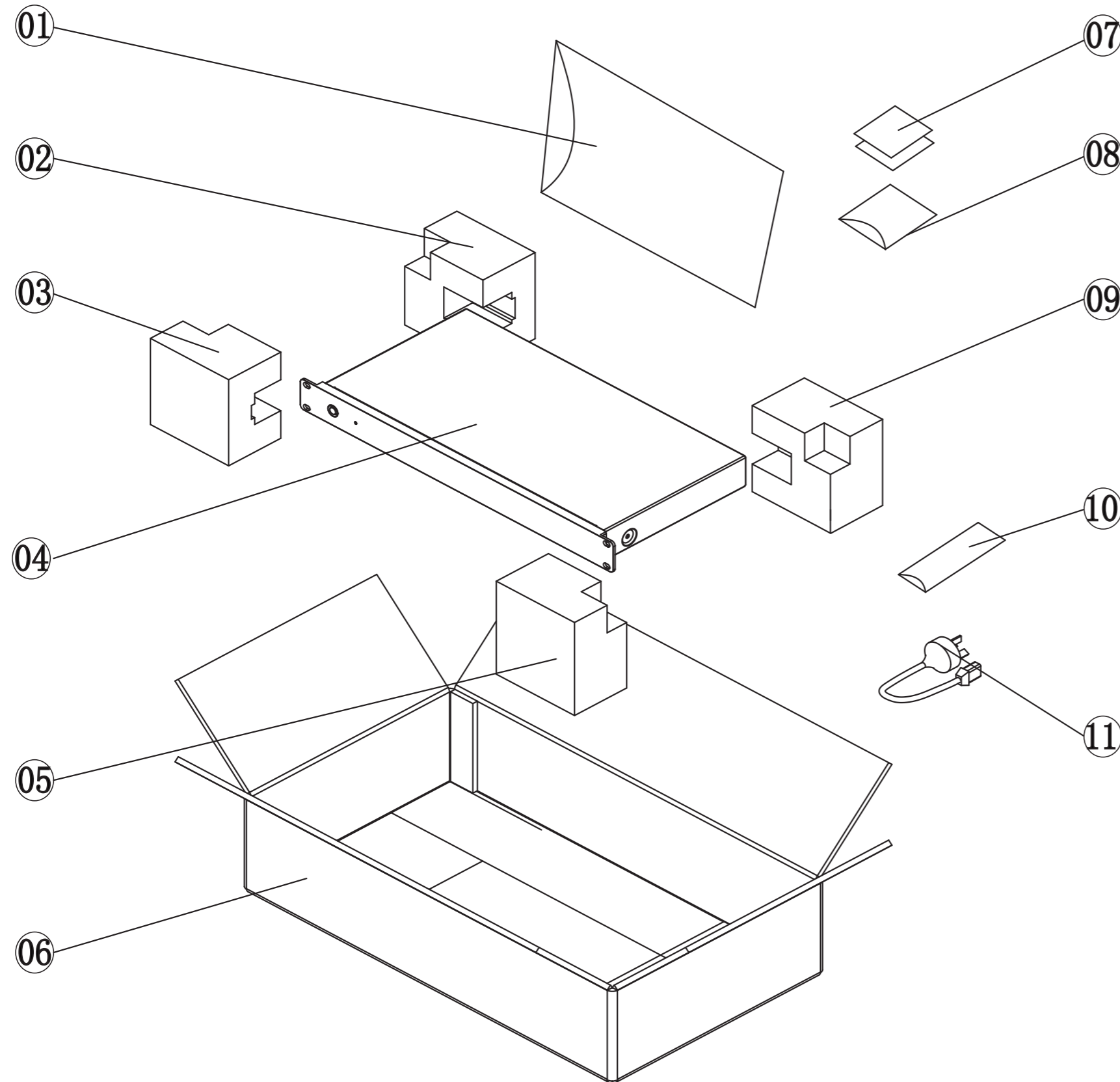
HS P/N	E10 P/N	Description	Part Type	Designator	Qty
13-22505-00	43-2-000169	Connector	XHB 2.5A-5A	J302	1
13-23903-01	43-2-000008	Connector	LD7.92A-2A	J301	1
24-2-000501S	24-2-000501S	Transformer	HJ-CI580-EE1916	T301	1
44-0-002778	44-0-002778	Cable	UL2468#26AWG,		1
A17-07003-01	46-0-000273S	AC Inlet	R-301(00)		1
A14-86001-13	44-0-001410S	Cable	UL1672#16AWG		1
44-0-002819S	44-0-002819S	Wire	UL1672#22AWG		1
19-22008-00	24-2-000006	Ferrite Ring	HJ-2208,T22×14×8 10K	PSU to AC Inlet	1
43-2-000718	43-2-000718	Terminal Block	2ESDV-04P-BK,300V 15A(SP-03-2ESDV0BK)		1
61-3-060601-1A	61-3-060601-1A	CI580 Fascia	6063 T5,Black anodized, Hairline,		1
70-606002-0	61-2-060602-0	End Cap L	6063 T5,Black anodized, Hairline,	6063 T5, Use 70-134004-0 extrusion tooling	1
70-606003-0	61-2-060603-0	End Cap R	6063 T5,Black anodized, Hairline	6063 T5, Use 70-134004-0 extrusion tooling	1
63-3-060601-0B	63-3-060601-0B	Chassis	SECC-N5 T=1.0mm		1
67-606002-0	63-2-060602-0	Top Cover	SECC-N5, T=1.0mm,		1
66-606001-0	63-1-060611-0	Button Bracket	SECC-N5 T=1.0mm		1
78-606001-0	92-0-000270	Power Insulation	GK17,UL94V-0,T=0.45mm, Black		1
78-606002-0	91-0-000557	Foot Pad	MX-48HF,		4
J71-124001-0	61-2-012401-0J	Power Button	black ABS		1
77-606001-0	71-2-060601-0	Power Button Bezel	77-124004-0		1
76-062001-1	71-1-006202-1	LED LENS	PMMA		1
77-062001-1	71-1-006203-1	LED	ABS		1
79-436001-0	91-0-000306	VFD Shading Foam	CR, 30×5×1mm		1
61-373506-0	65-0-000344	Machine Screw	M3×6		9
61-023208-0	65-0-000003	Self Taping Screw	BTB3×6,		15
61-063106-0	65-0-000007	Self Tapping Screw	STF3×6		6
61-084106-0	65-0-000225	Self Tapping Screw	STPW4×6		2
61-073108-0	65-0-000208	Self Tapping Screw	STO3×6-		2
61-023106-0	65-0-000002	Self Taping Screw	STB3×6		12
61-023206-0	65-0-000069	self taping screw	BTB3×6		4
62-010402-0	65-0-000017	Nut	GB6170-86, M4,		1
63-020411-0	65-0-000022	Spring Washer	GB93-87 φ1,		1
63-010408-0	65-0-000019	Plain Washer	GB97.1-85 φ1,		1
84-005001-0	75-0-000003	Cable Tie	YJ-100		1

CI580 EXPLODED VIEW AND PARTS LIST



Exploded List			
Item NO.	Part Number	Description	QTY.
F001	61-3-060601-1A	CI580 Fascia	1
F002	61-2-060602-0	End Cap L	1
F003	61-2-060603-0	End Cap R	1
F004	71-2-060601-0	Power Button Bezel	1
F005	61-2-012401-0J	Power Button	1
F006	71-1-006203-1	Led Lens Bezel	1
F007	71-1-006202-1	LED LENS	1
F008	63-1-060611-0	Button Bracket	1
F009	73-2-013401-0	Rubber Pad	3
F010	01-1-060602	Key Board	1
C001	63-3-060601-0B	Chassis	1
C002	92-0-000270	Power Insulation	1
C003	91-0-000557	Foot Pad	4
C004	46-0-000273S	AC Inlet	1
C005	01-1-060601	NMB BOARD	1
C006	01-1-060603	PSU BOARD	1
T001	63-2-060602-0	Top Cover	1
S001	65-0-000007	Self Tapping Screw,STF3×6	6
S002	65-0-000069	Self Tapping Screw,BTB3×6	4
S003	65-0-000002	Self Taping ScrewsSTB3×6	12
S004	65-0-000344	Machine Screw, M3×6	9
S005	65-0-000208	Self Tapping Screw,STO3×8	2
S006	65-0-000003	Self Tapping Screw,BTB3×8	15
S007	65-0-000225	Self Tapping Screw,STPW4×6	2
S008	65-0-000017	Nut GB6170-86, M4	1
S009	65-0-000022	Spring Washer,GB93-87 φ4	1
S0010	65-0-000019	Plain Washer,GB97.1-85 φ4	1

CI580 PACKING EXPLODED VIEW AND PARTS LIST



①	83-0-000022	Polybag	1
②	82-0-060603-0	EPE back left	1
③	82-0-060601-0	EPE front left	1
④	00-0606-00	CI580	1
⑤	82-0-060602-0	EPE front right	1
⑥	81-0-060601-1A	Shipping carton	1
⑦	84-0-060601-0	QSG	1
⑧	83-0-000007	Manu Polyfbag	1
⑨	82-0-060604-0	EPE back right	1
⑩	83-0-000053	AC Cord Polybag	2
⑪	45-1-000102S 45-1-000107S	AC Cord(AH version) AC Cord(C version)	2

SERVICE MANUAL

C1580

BluOS Network Music Player

NAD ELECTRONICS INTERNATIONAL
TORONTO