

CI720

Network Stereo Zone Amplifier

SERVICE MANUAL

CI720

Network Stereo Zone Amplifier



SAFETY INFORMATION

NAD ELECTRONICS INTERNATIONAL

633 GRANITE COURT PICKERING ON CANADA L1W 3K1

MODEL : CI 720 Network Stereo Zone Amplifier

POWER RATING : 100-120V / 220-240V ~
50/60Hz 150W



Conforms to
UL60065
Certified to
CAN/CSA
IEC60065



RoHS
compliant



CAUTION-ATTENTION

MINIMUM SPEAKER IMPEDANCE
MINIMUM IMPEDANCE DES HAUTES PARLEURS
ONE PAIR 4Ω
UNE PAIRE 4Ω

TABLE OF CONTENTS

DESCRIPTION	PAGE
SPECIFICATIONS AND LED INDICATOR	4
FRONT / REAR VIEW	5
DISASSEMBLY INSTRUCTIONS.....	6
WIRING DIAGRAM.....	7
WIRING DIAGRAM PARTS LIST	7
BLOCK DIAGRAM	8
EXPLODED VIEW AND PARTS LIST	9
FASCIA EXPLODED VIEW AND PARTS LIST	10
PACKING DIAGRAM	11
PACKING PARTS LIST	11

SPECIFICATION

AUDIO

Rated power	60W
Rated distortion	≤0.005%
Signal-to-noise ratio	-110 dBA
Sample rate	32 - 192 kHz
Bit depth	16-24 bit
Supported file formats	MP3, AAC, WMA, OGG, WMA-L, FLAC, ALAC, WAV, AIFF
Supported Cloud Services	WIMP, Rdio, Slacker Radio, Qobuz, HighResAudio, JUKE, Deezer, Murfie, HDTracks, Spotify, TIDAL, Napster, Rhapsody
Free Internet Radio	TuneIn Radio, iHeartRadio

CONNECTIVITY

INPUT	Analog: RCA stereo
	SPDIF: Optical (TOSLINK)
	USB: Type A (for USB memory stick and supported peripherals - FAT32 formatted) Type B mini (for servicing purposes only)
	IR IN: 3.5 mm jack
OUTPUT	Subwoofer OUT
	Speaker OUT: Phoenix Speaker connection block
NETWORK	Ethernet/LAN: Ethernet RJ45, GigE
USER INTERFACE	Free BluOS Controller App available for download from the respective App stores of Apple iOS devices (iPad, iPhone and iPod), Android devices, Kindle Fire and Windows or Mac OS X desktops.
	Front panel button
SUPPORTED OPERATING SYSTEMS	Music playback from network shares on the following desktop operating systems: Windows Vista SP2, Windows 7 SP1 and Windows 8.1. Mac OS X 10.7, 10.8 and 10.9

GENERAL

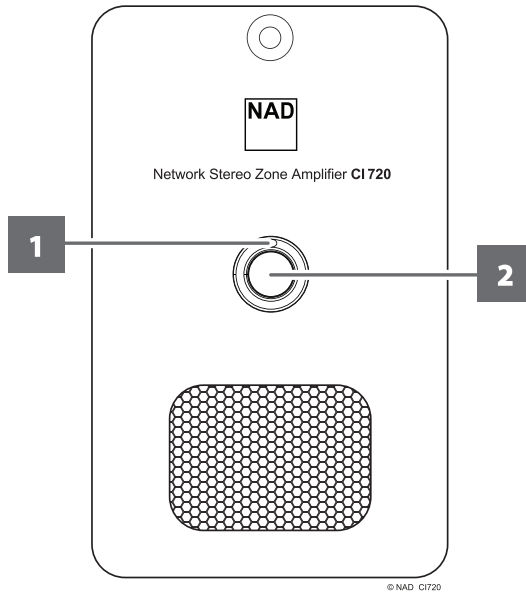
AC power supply	100 - 240V 50/60 Hz
Standby power	6W (Network standby mode)
Unit dimensions (L x W x D)	70 x 120 x 350 mm
	2 ^{13/16} x 4 ^{3/4} x 13 ^{13/16} inches
Shipping weight	1.6 kg (3.5 lbs)

LED INDICATOR

This is an indicator of network connectivity. Below is a table of the LED blink codes and their corresponding descriptions.

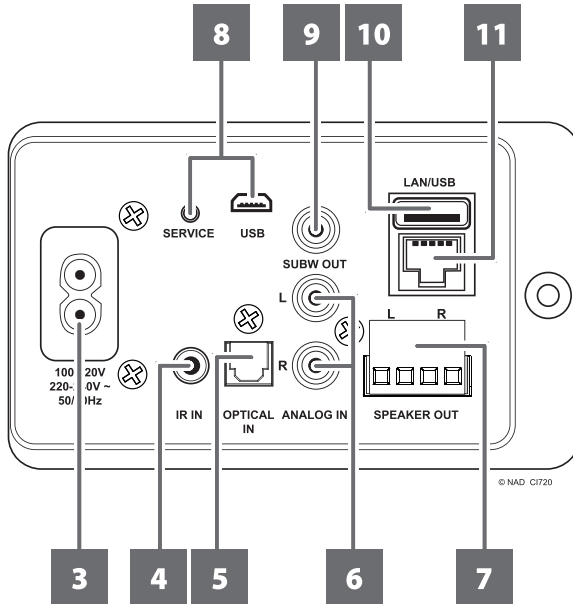
LED BLINK CODE	DESCRIPTION
Short blue flash, then red	Powering up, rebooting
Solid red	Booting up
Solid red	Cannot boot up; drive error
Solid white	Indexing
Solid blue	Connected to network – ready to use with Bluesound App
Red pulse	No internet gateway
Alternate flashing red and green	Upgrade mode
Flashing red	Factory reset in progress

FRONT VIEW



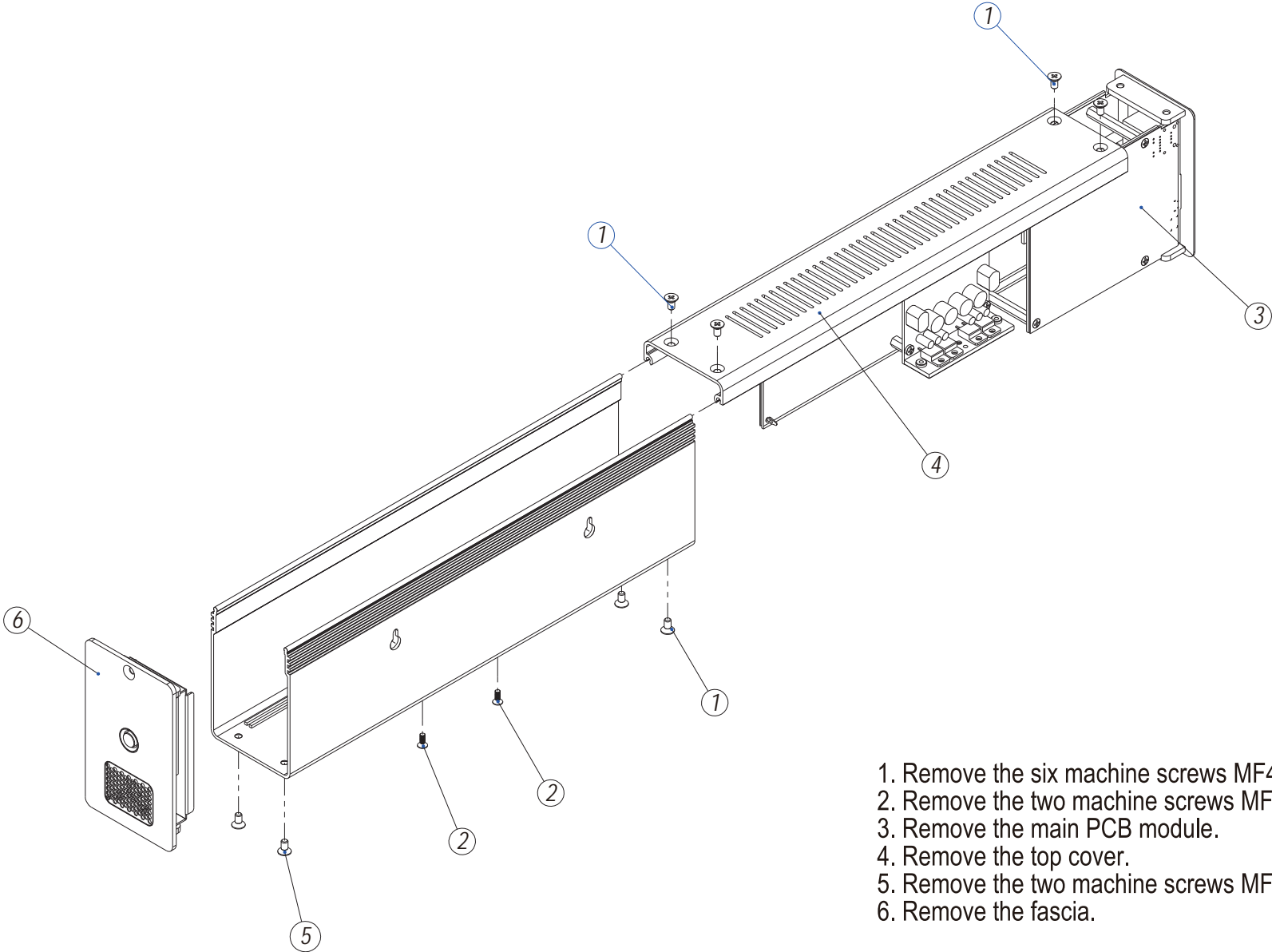
- 1. Status Indicator
- 2. Standby Button

REAR VIEW



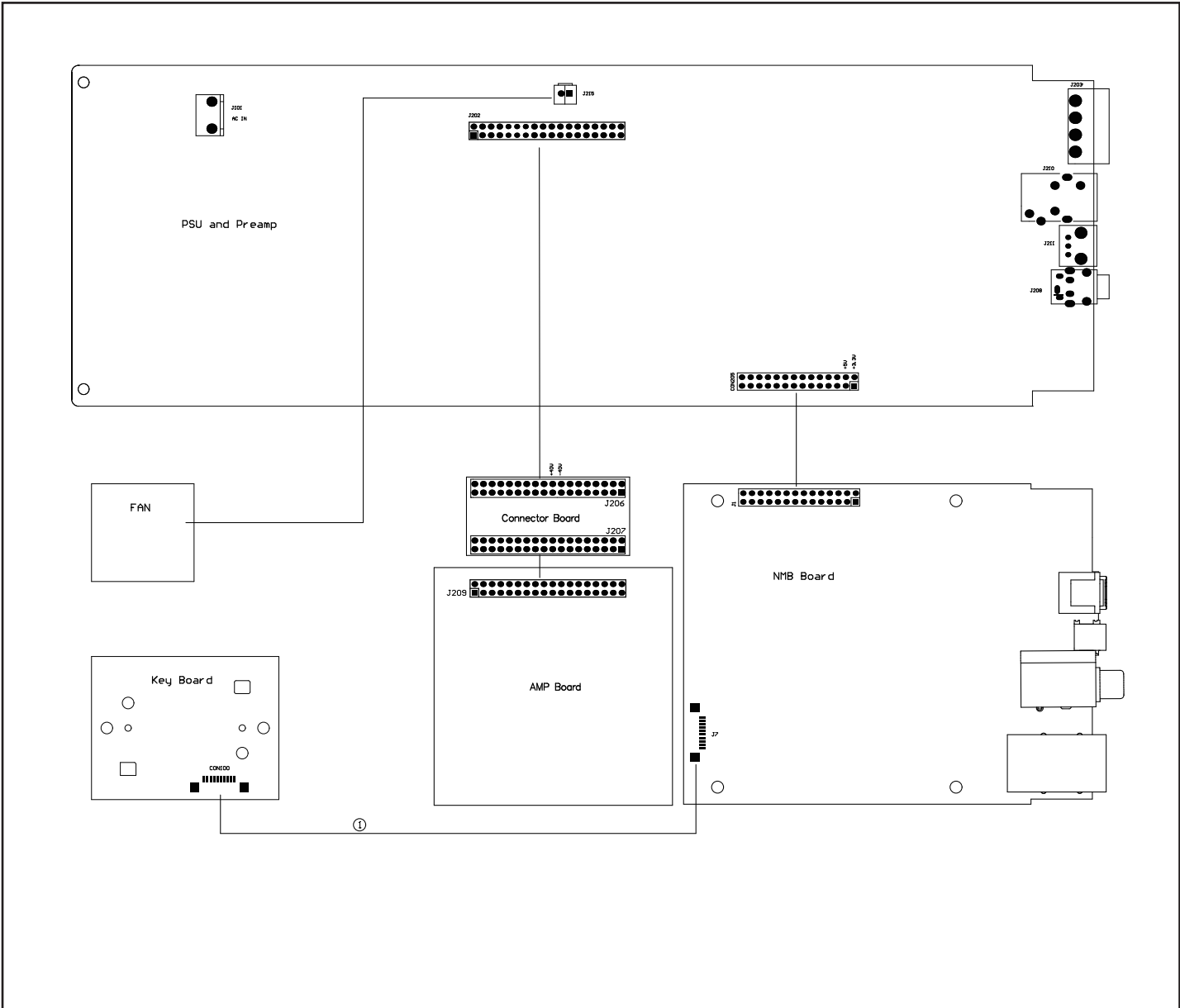
- 3. AC Mains Input
- 4. IR IN
- 5. Optical In
- 6. Analog In
- 7. Speaker Out
- 8. Service / USB
- 9. Subwoofer Out
- 10. LAN
- 11. USB (Type A)

DISASSEMBLY INSTRUCTION



- 1. Remove the six machine screws MF4×8.
- 2. Remove the two machine screws MF3×8.
- 3. Remove the main PCB module.
- 4. Remove the top cover.
- 5. Remove the two machine screws MF4×8.
- 6. Remove the fascia.

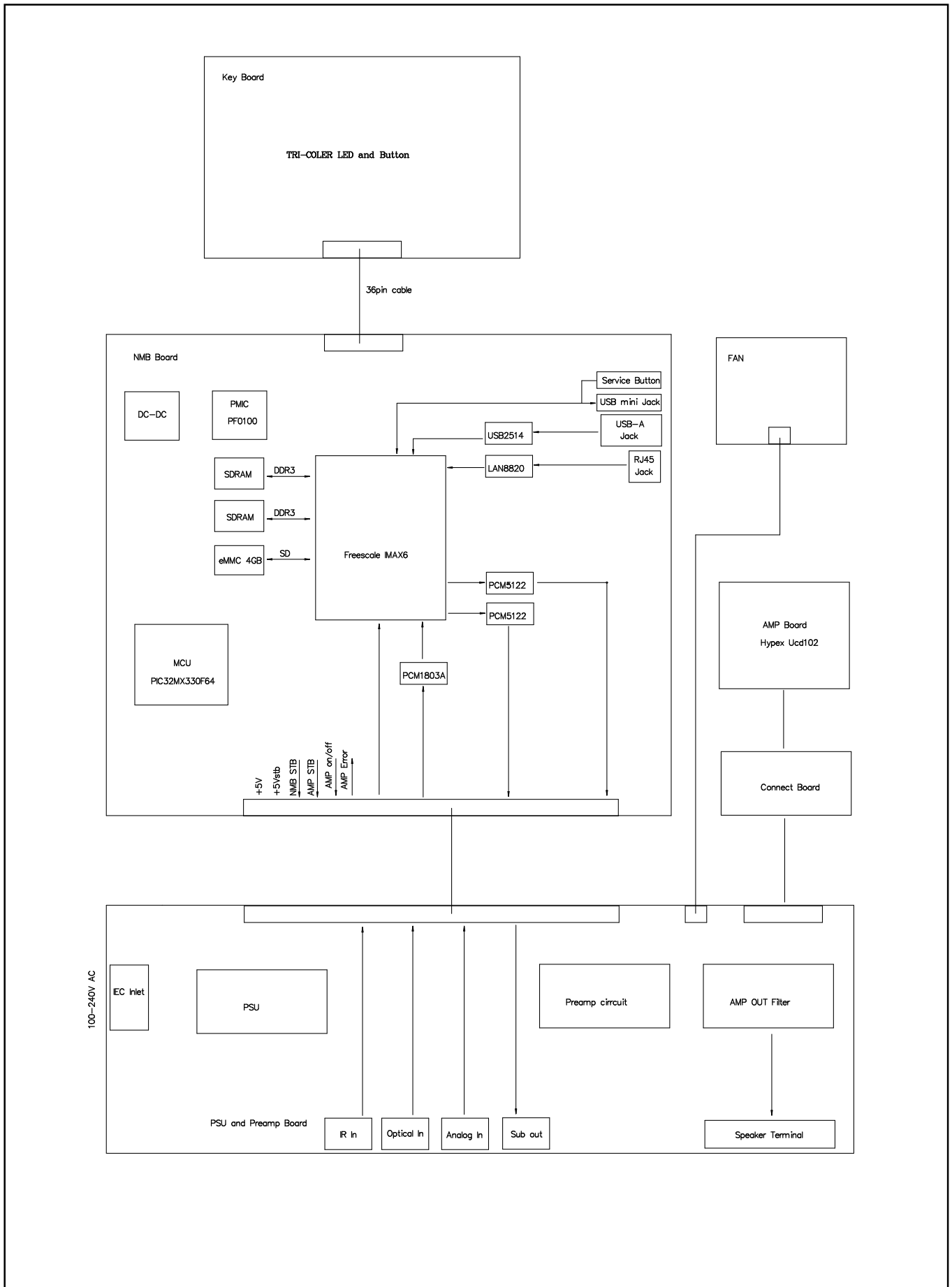
WIRING DIAGRAM



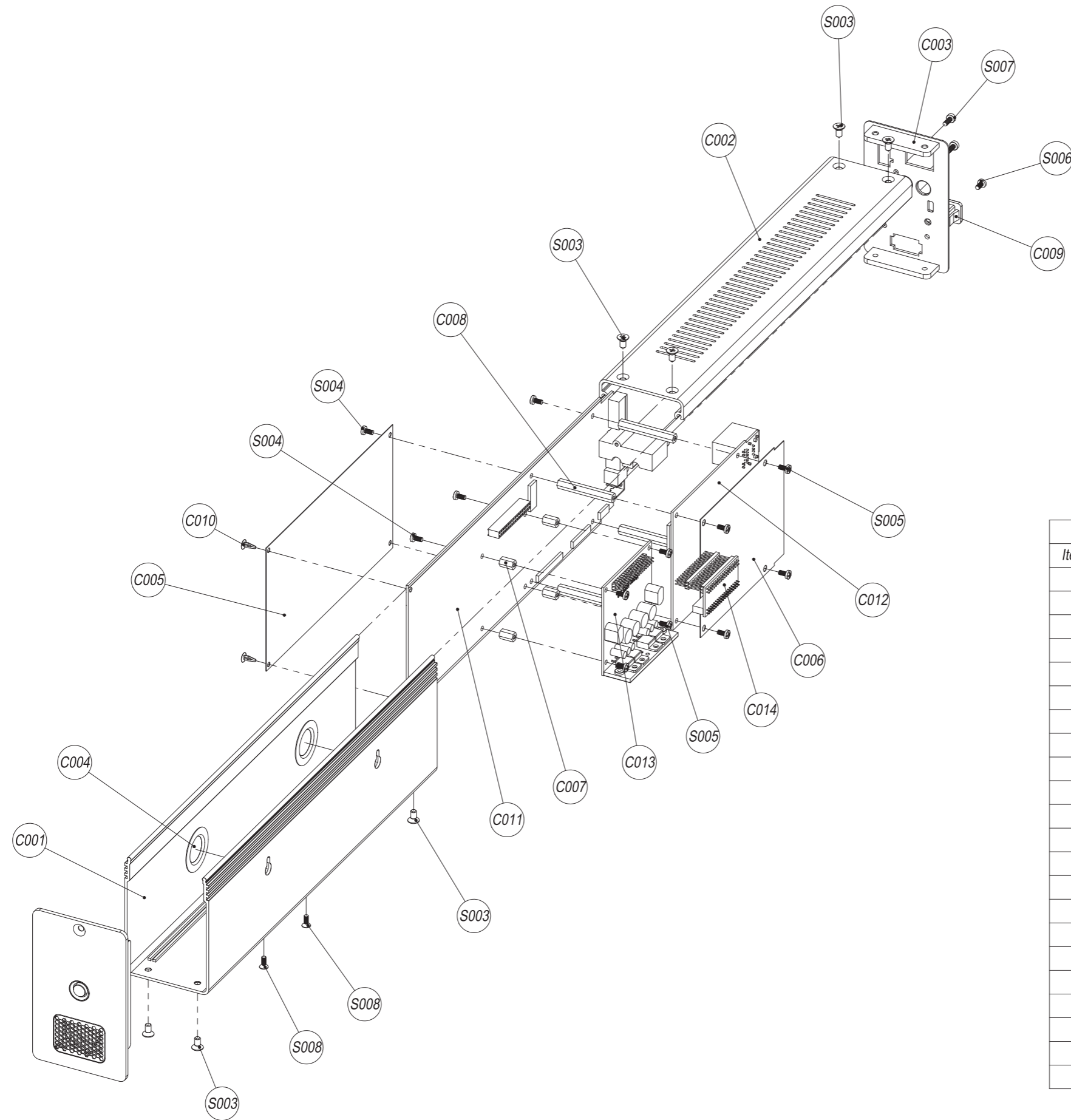
WIRING DIAGRAM PARTS LIST

No.	HS P/N	Description	Designator	Qty
1	44-0-001334	Cable	NMB J7to Key board CON100	1

BLOCK DIAGRAM

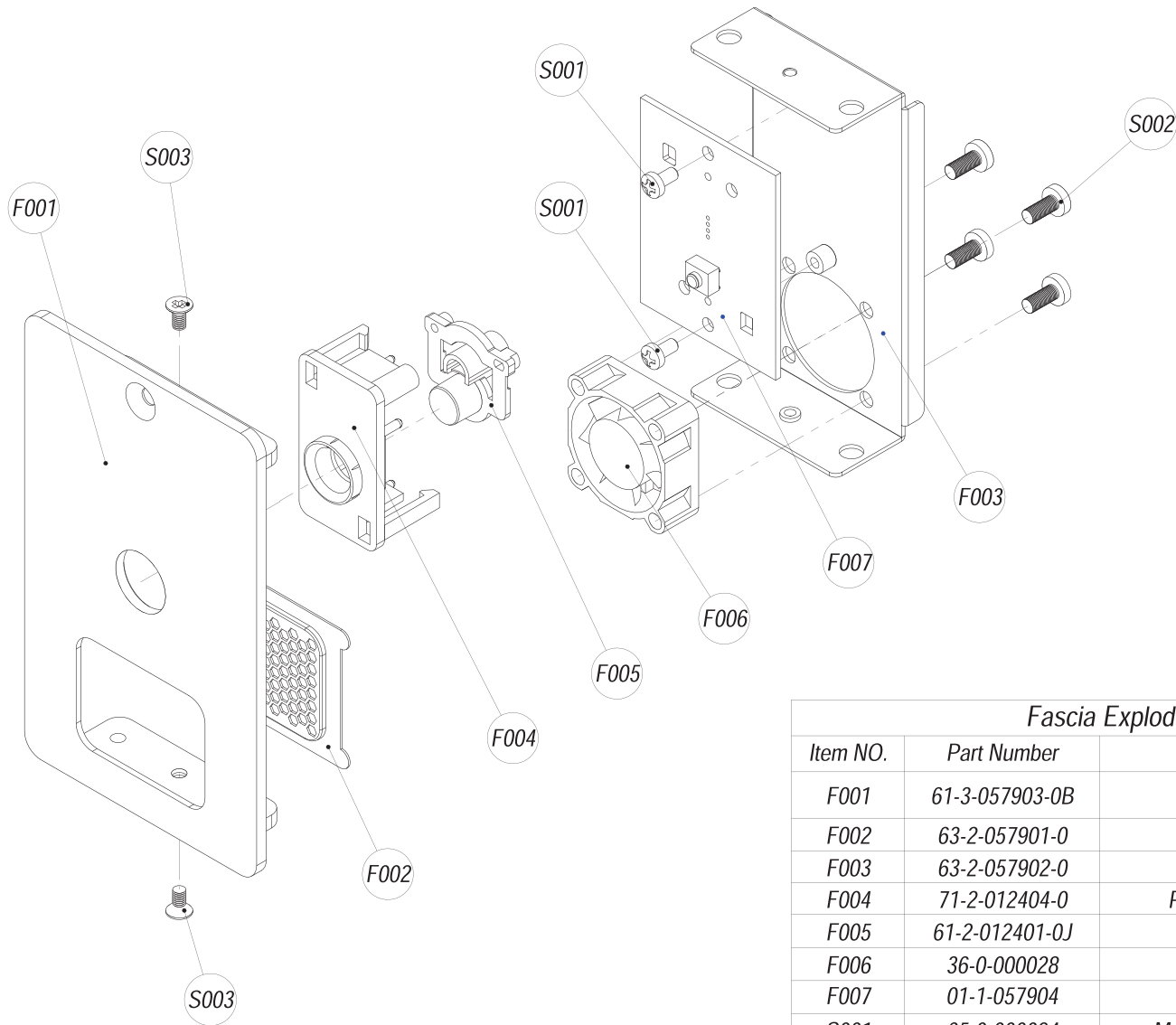


CI720 EXPLODED VIEWS AND PARTS LIST



Exploded List			
Item NO.	Part Number	Description	QTY.
C001	61-3-057901-0B	Module Bottom	1
C002	61-3-057902-0A	Module Top	1
C003	61-3-057904-0C	Module Rear Panel	1
C004	92-0-000262	Insulated Cover	2
C005	92-0-000266	Insulation Pad	1
C006	72-1-057901-0	protection pad	1
C007	62-1-004901-0	Copper Spacer	4
C008	62-1-057901-0	Copper Spacer	4
C009	46-0-000266S	AC Inlet	1
C010	75-0-000174	RIVET-PLAST	2
C011	01-1-057902	PSU&PreAMP Board	1
C012	01-1-057901	NMB BOARD	1
C013	01-2-035901	UCD102 BOARD	1
C014	01-1-057905	Connector Board	1
S003	65-0-000772	Machine Screw, MF4x8	8
S004	65-0-000344	Machine Screw, M3x6	8
S005	65-0-000005	Machine Screw, M3x6	8
S006	65-0-000002	Self Taping Screws STB3x6	2
S007	65-0-000148	Self Taping Screws BTP3x8	2
S008	65-0-000190	Machine Screw MF3x8	2

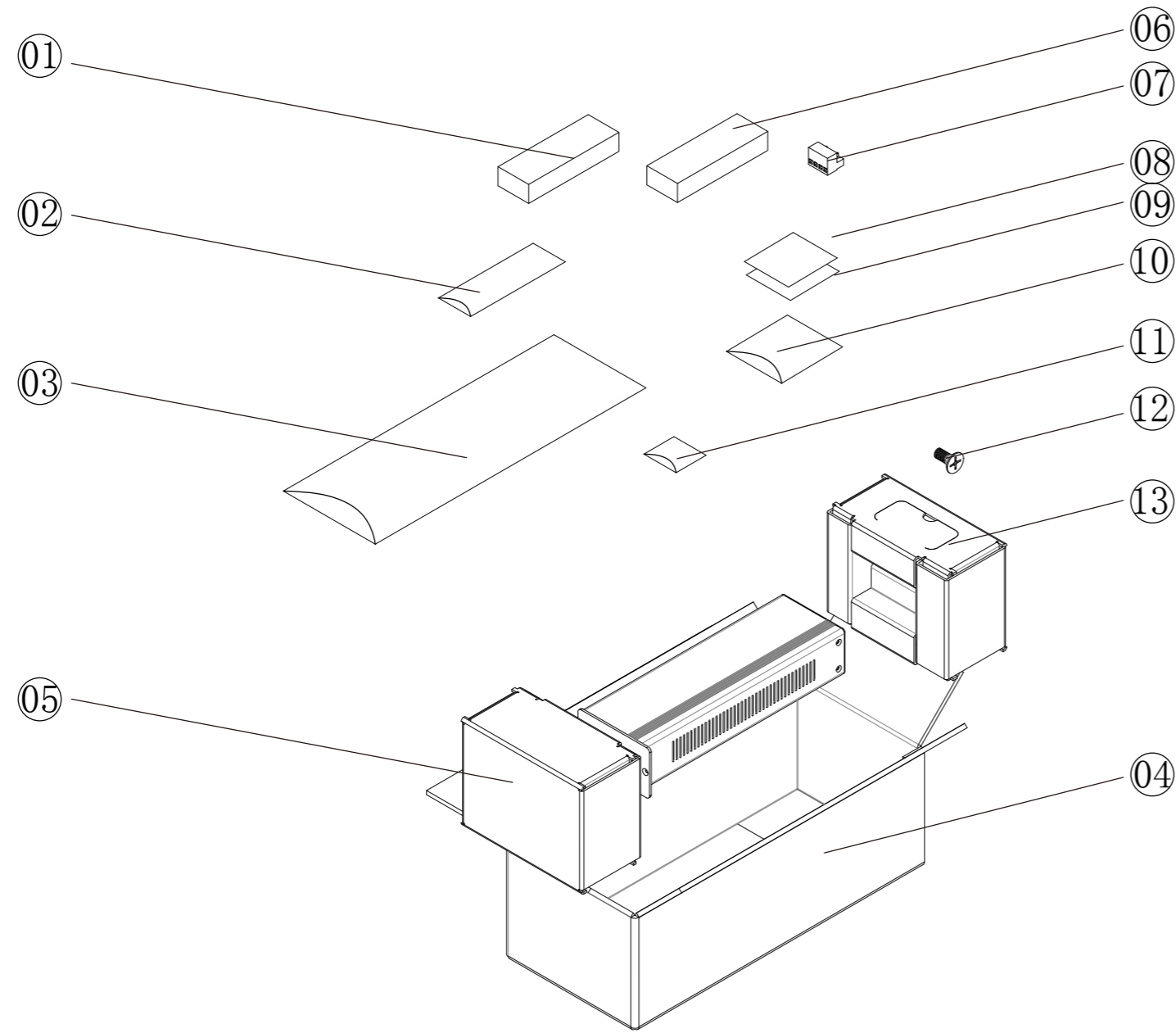
CI720 FASCIA EXPLODED VIEW AND PARTS LIST



Fascia Exploded List

Item NO.	Part Number	Description	QTY.
F001	61-3-057903-0B	Module Fascia	1
F002	63-2-057901-0	Perf sheet	1
F003	63-2-057902-0	Button Bracket	1
F004	71-2-012404-0	Power Button Bezel	1
F005	61-2-012401-0J	Power Button	1
F006	36-0-000028	FAN	1
F007	01-1-057904	Key Board	1
S001	65-0-000094	Mashine Screw,MB3×5	2
S002	65-0-000077	Self Tapping Screw, BTB3.5×8	4
S003	65-0-000772	Machine Screw, MF4×8	2

CI720 PACKING EXPLODED VIEW AND PARTS LIST



①	45-1-000175S	C AC Cord
②	83-0-000053	PE bag
③	83-0-000257	LDPE POLY BAG
④	81-0-057902-1B	inner carton
⑤	81-0-057903-1	Front paper cushion
⑥	45-1-000176S	AH AC Cord
⑦	43-2-000024	Connector
⑧	84-0-057901-0	QSG
⑨	84-0-035501-0	AH Guarantee Card
⑩	83-0-000007	Manu Polyfbag
⑪	83-0-000027	Polybag
⑫	65-0-000772	Machine Screw
⑬	81-0-057905-0	Rear paper cushion