



Technical Bulletin L70

Product: DVD Receiver

Hardware Technical Bulletin: H2004-03

Date: May 25, 2004

Subject: SCART RGB OUTPUT

Note: Change implemented in production from serial # A3YL7008001.

Previous service bulletins required:

YES

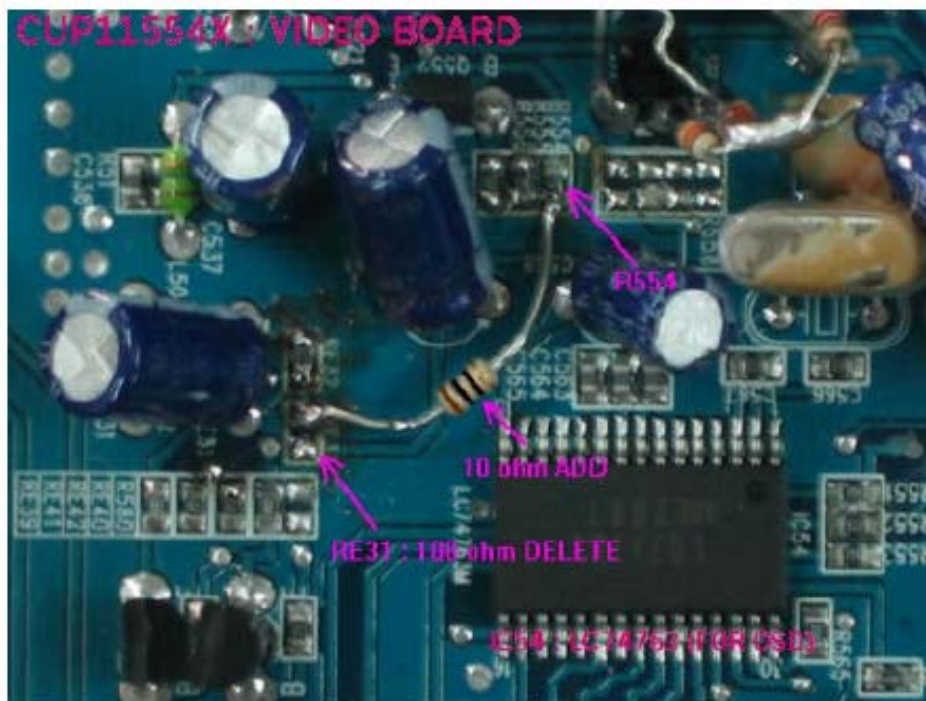
✓ NO

DESCRIPTION: You may have the complaint that the Scart RGB output is not switching automatically.

REASON: The drive current required for some TV sets is greater then the L70 can supply to switch the RGB output.

SOLUTION: Delete RE31 100 ohm resistor on the video board. Add a 10 ohm resistor between pin 16 of SCART connector (one leg of RE31) and +5v rail (one leg of R554) on video board. See Figure 1 and Figure 2.

Figure1



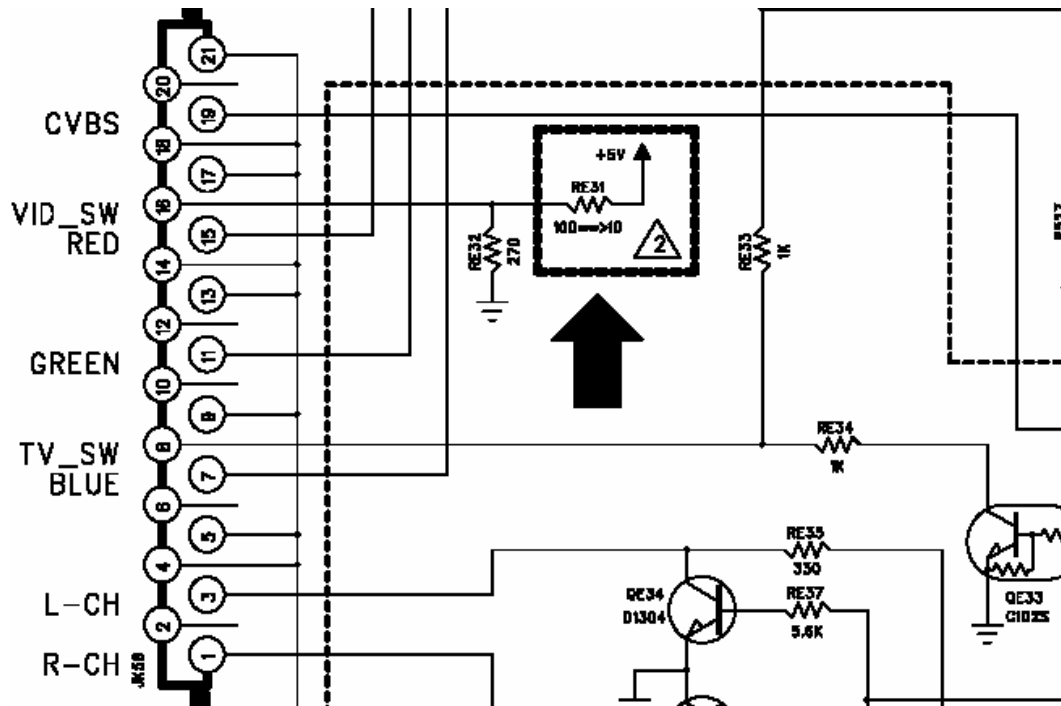


Technical Bulletin L70

Product: DVD Receiver

Hardware Technical Bulletin: H2004-03

Figure 2



Contact:
NAD Electronics International
633 Granite Court
Pickering, ON Canada L1K 3K1
Voice: 905-831-0799 FAX 905-837-6357
www.nadelectronics.com