
Circuit Change

PROBLEM: You may have the complaint that the TV SCART RGB output is not switching automatically.

CAUSE: The drive current of some television sets is not sufficient to switch the RGB output.

SOLUTION:

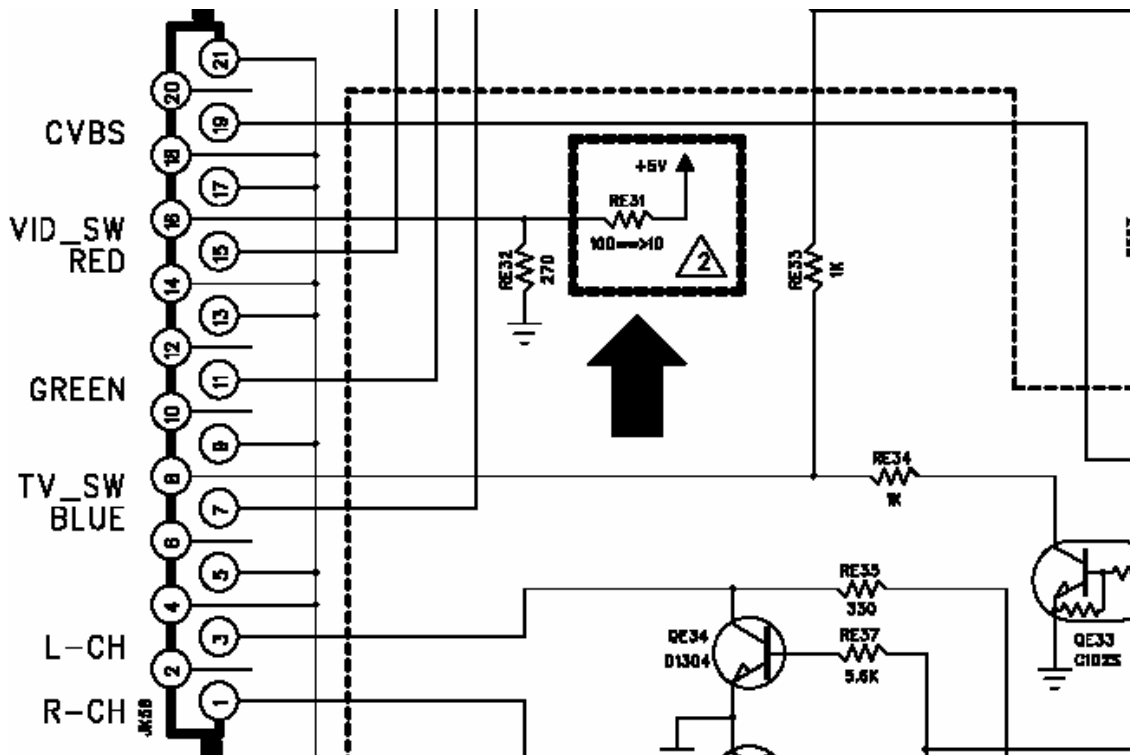
Delete RE31 100 ohm resistor on video board.

Add a 10 ohm resistor between PIN 16 of SCART connector (one leg of RE31) and +5V rail(one leg of R554) on video board. See photo and schematic diagram.

Photo



Schematic



PRODUCTION:

All production to September 2003 are affected. Serial numbers to be advised.

Contact:

NAD Electronics International
633 Granite Court
Pickering, ON Canada L1K 3K1
Voice: 905-831-0799 FAX 905-837-6357
www.nadelectronics.com

10/07/03