

M50.2

Digital Music Player

SERVICE MANUAL

M50.2

Digital Music Player

The NAD logo consists of the letters "NAD" in a bold, white, sans-serif font, centered within a solid black square.

SPECIFICATION

Specifications M50.2 ▾

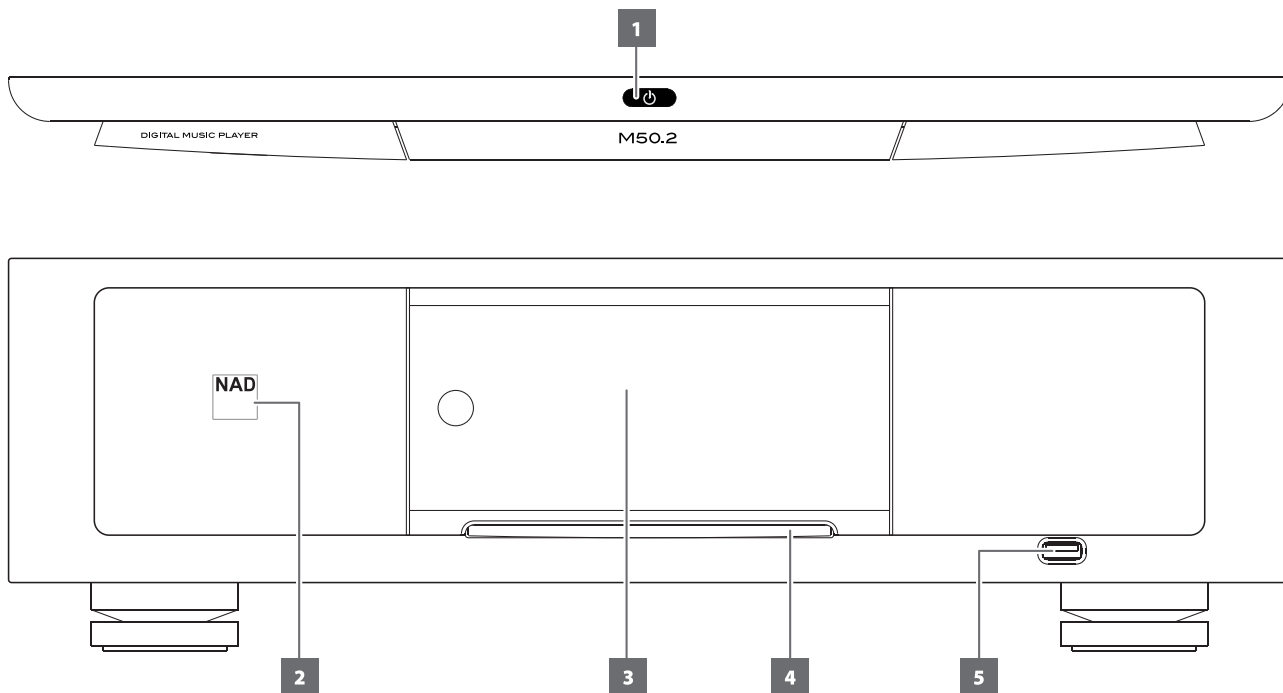
BLUOS FEATURES	
Supported File Formats	MP3, AAC, WMA, OGG Vorbis, WMA-L, FLAC, ALAC, WAV, AIFF, MQA, HRA
Supported Cloud Services	WiMP, Slacker Radio, HighResAudio, JUKE, TIDAL, Deezer, Murfie, HDTracks, Spotify, Napster, Rhapsody
Supported Operating Systems	Microsoft Windows XP, 2000, Vista, 7, 8, Apple Macintosh
Free Internet Radio	TuneIn Radio, iHeartRadio
INPUT	
USB 2.0 Device (Type B) Storage (Digital Music Vault)	
Front and Rear USB 2.0 Type A for playback via USB Stick, Hard Drive	
IR In	
Analog In	
12V Trigger In	
OUTPUT	
S/PDIF	75 ohms
Coaxial	TOSlink
Optical	
HDMI 1.4 (Audio only)	110 ohms
Digital AES/EBU	
12V Trigger Out	
NETWORK CONNECTIVITY	
WiFi 802.11n/g 2.4G	
Ethernet 10/100Mbps	
Bluetooth AptX®	
RS232	
GENERAL SPECIFICATIONS	
Sample Rate	32kHz to 192kHz, 16/24 bit
USB File Systems	FAT 32, Linux EXT
Standby Power	<0.5W
GENERAL	
Dimensions (WxHxD)*	435 x 133 x 380mm (17 1/8 x 5 1/4 x 15") **
Net Weight	8.1kg (17.9lb)
Shipping Weight	11.5kg (25.4lb)

* Gross dimensions include feet, extended buttons and rear panel terminals. ** Non-metric measurements are approximate. NAD Electronics will not assume any liability for errors being made by retailers, custom installers, cabinet makers, or other end users based on information contained in this document. Note: Installers should allow a minimum clearance of 55mm for wire/cable management.

LED INDICATOR

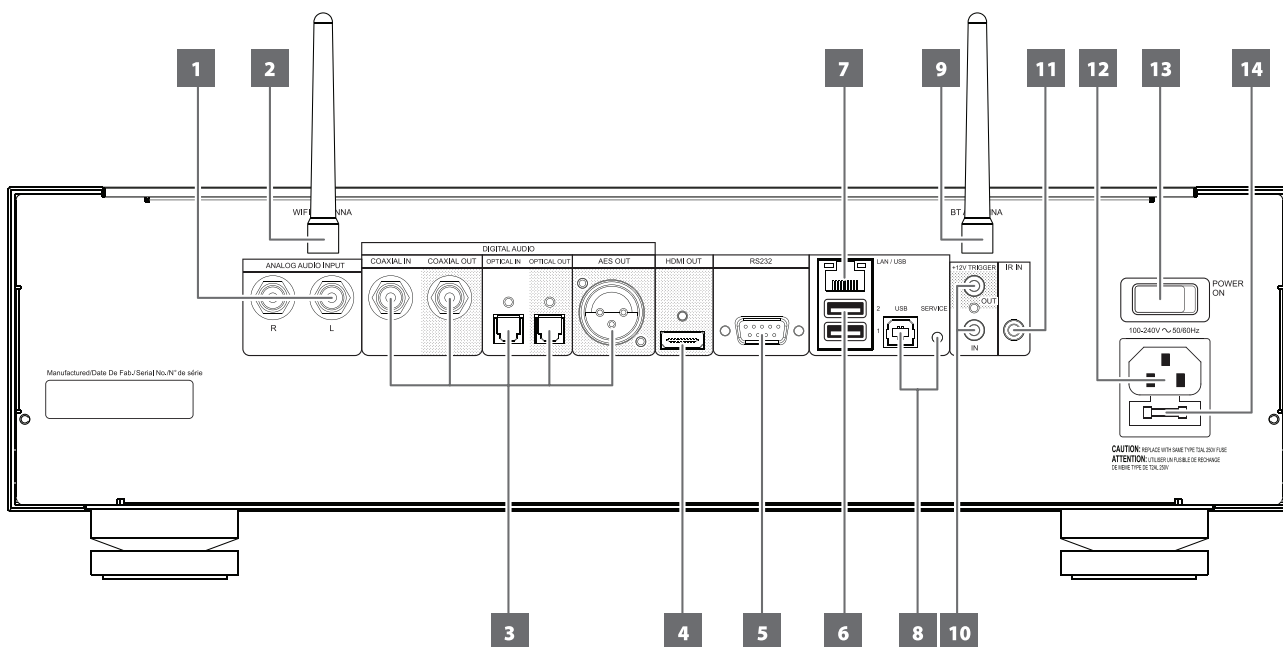
LED BLINK CODE	DESCRIPTION
Alternate flashing red and green	Upgrade mode
Red	Powering up, rebooting
Solid green	Hotspot mode
Solid red	Booting up
Solid red	Cannot boot up; drive error
Solid white	Indexing
Solid blue	Connected to network – ready to use with BluOS App

FRONT PANEL



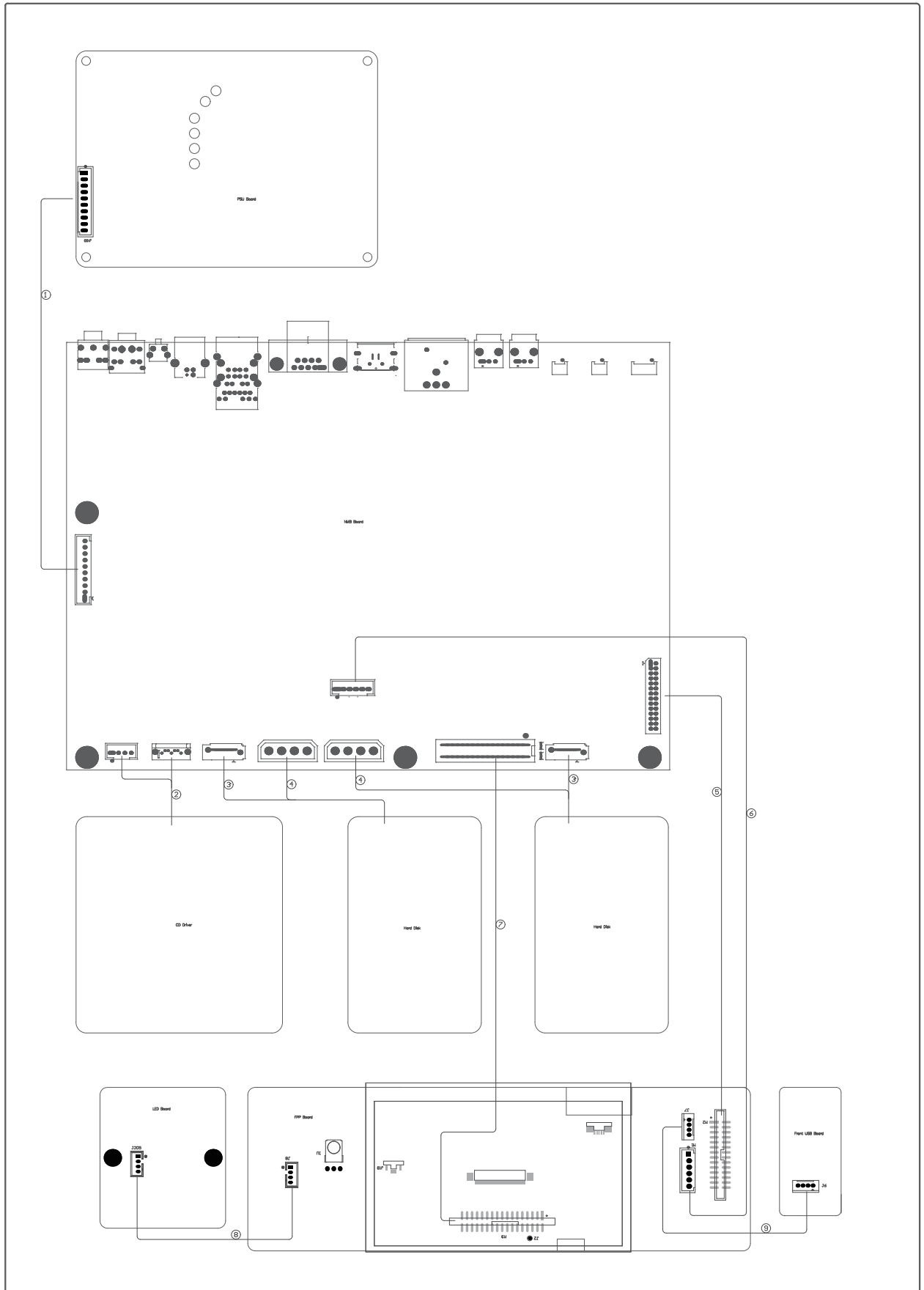
- 1 ⏻ (STANDBY) BUTTON
- 2 STATUS INDICATOR
- 3 DISPLAY (TOUCH PANEL DISPLAY)
- 4 DISC SLOT
- 5 FRONT USB

REAR PANEL



- | | |
|-------------------------|-----------------------------------|
| 1 ANALOG AUDIO INPUT | 8 SERVICE/USB |
| 2 WIFI ANTENNA TERMINAL | 9 BT (BLUETOOTH) ANTENNA TERMINAL |
| 3 DIGITAL AUDIO | 10 +12V TRIGGER |
| 4 HDMI OUT | 11 IR IN |
| 5 RS 232 | 12 AC MAINS INPUT |
| 6 USB 1, USB 2 (Type A) | 13 POWER |
| 7 LAN | 14 FUSE HOLDER |

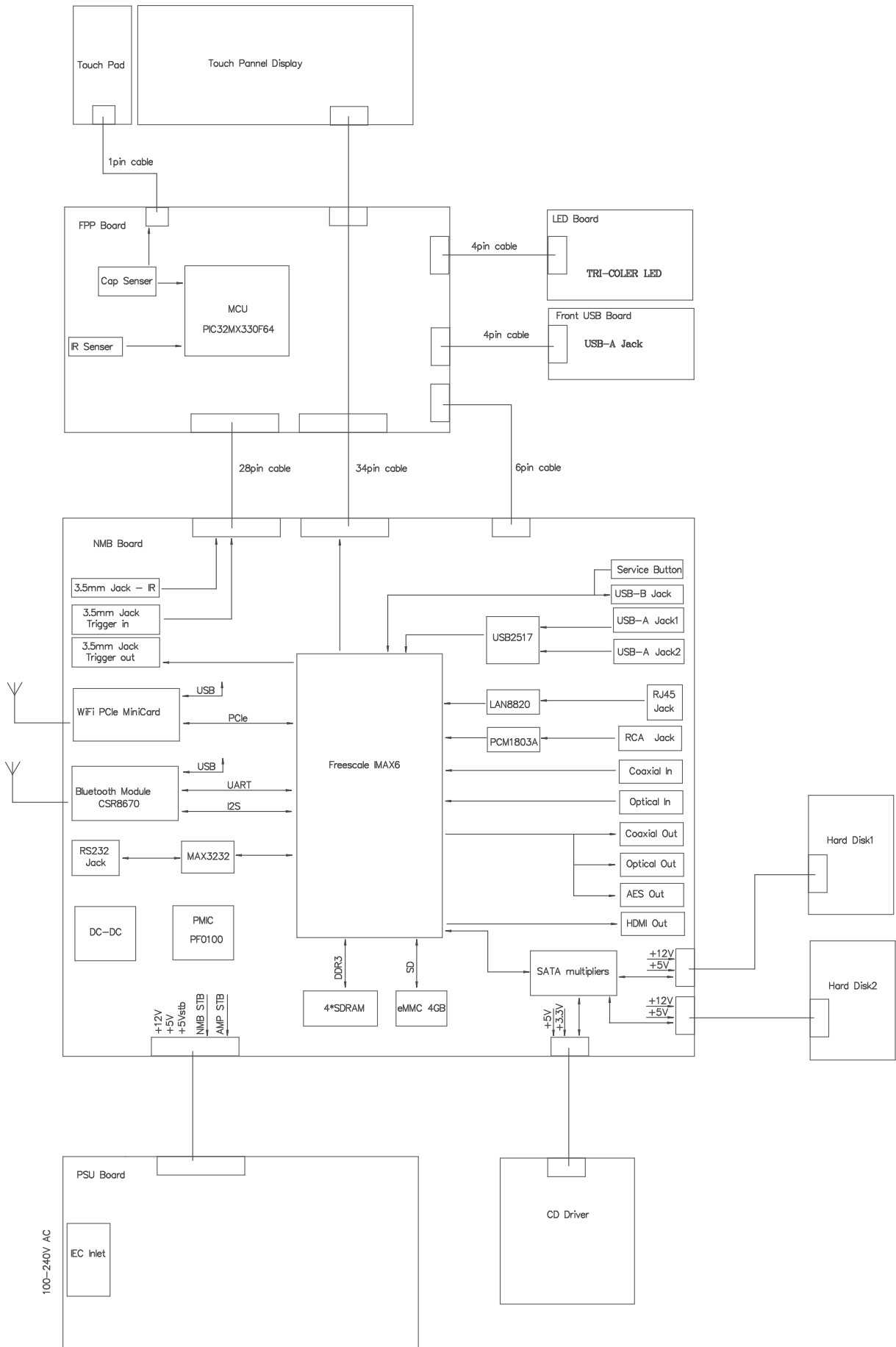
M50.2 WIRING DIAGRAM



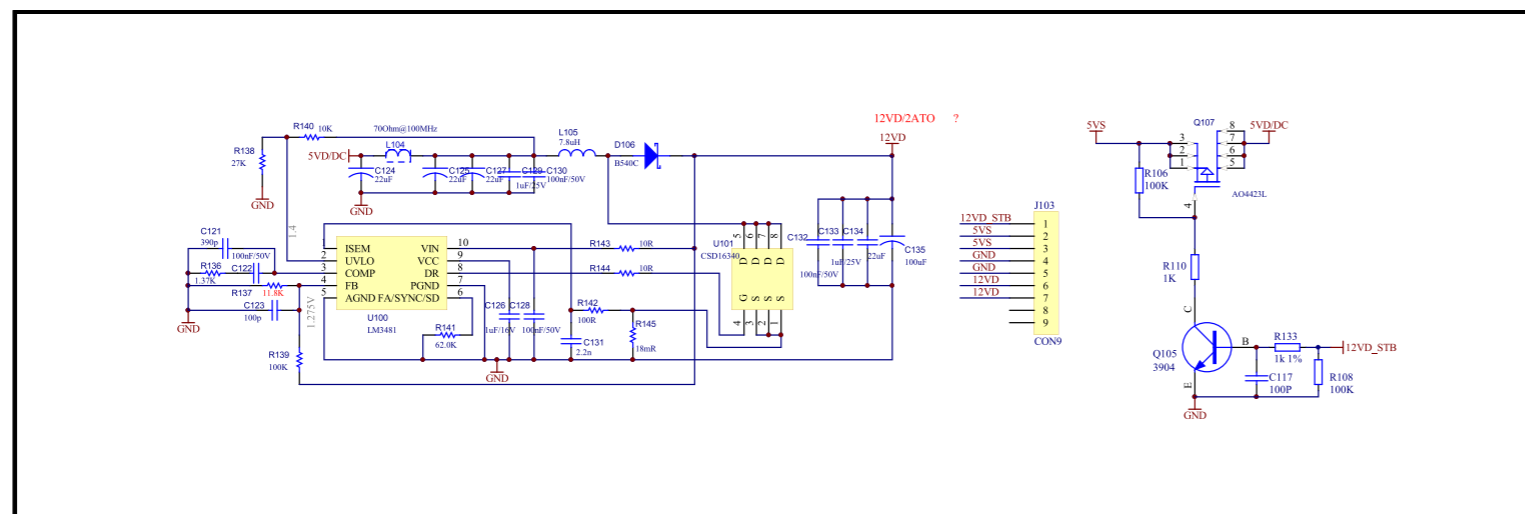
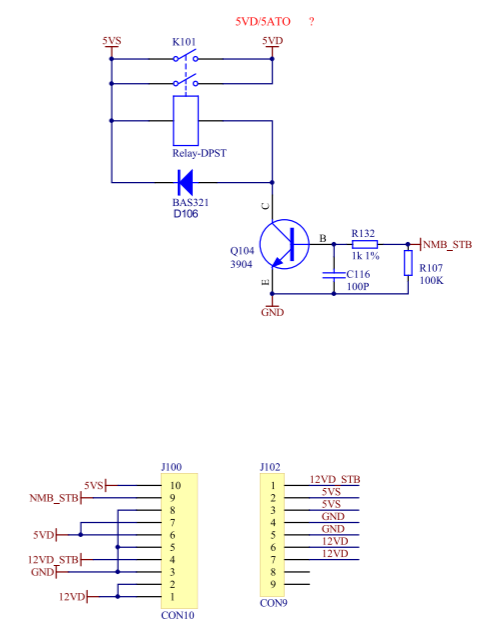
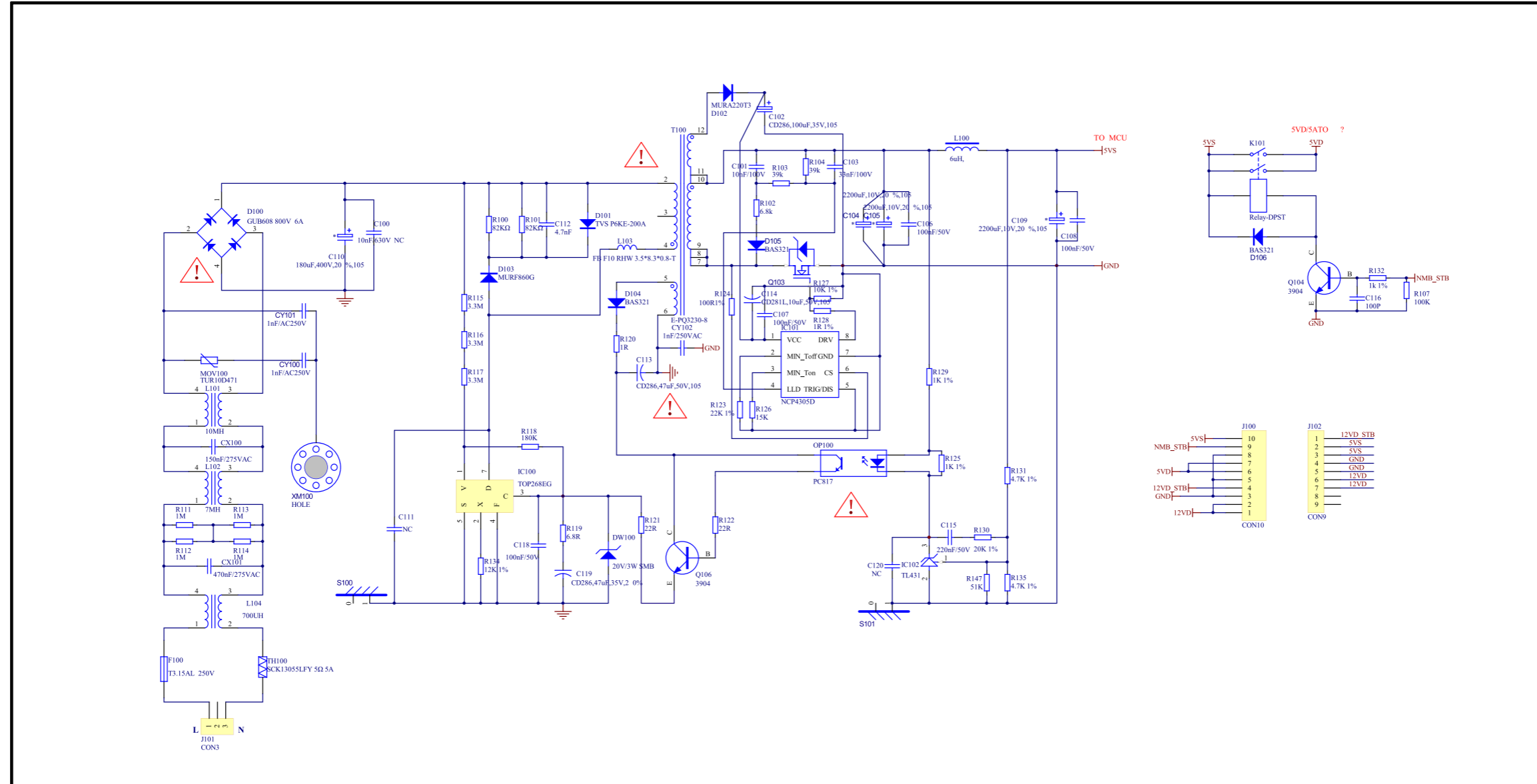
M50.2 WIRING DIAGRAM PARTS LIST

No.	HS P/N		Designator	Qty
1	44-0-002847	Cable	NMB J3 to PSU board J100	1
2	44-0-001477	Cable	NMB J104,J106 to CD driver	1
3	44-0-002808	Cable	NMB to hard disk	2
4	44-0-001478	Cable	NMB to hard disk	2
5	44-0-001479	Cable	NMB M1 to FPP M2	1
6	44-0-001476	Cable	NMB M2 to FPP M1	1
7	44-0-001480	Cable	NMB M3 to FPP M3	1
8	44-0-001472	Cable	FPP J8 to LED J205	1
9	44-0-001473	Cable	FPP J7 to USB J6	1

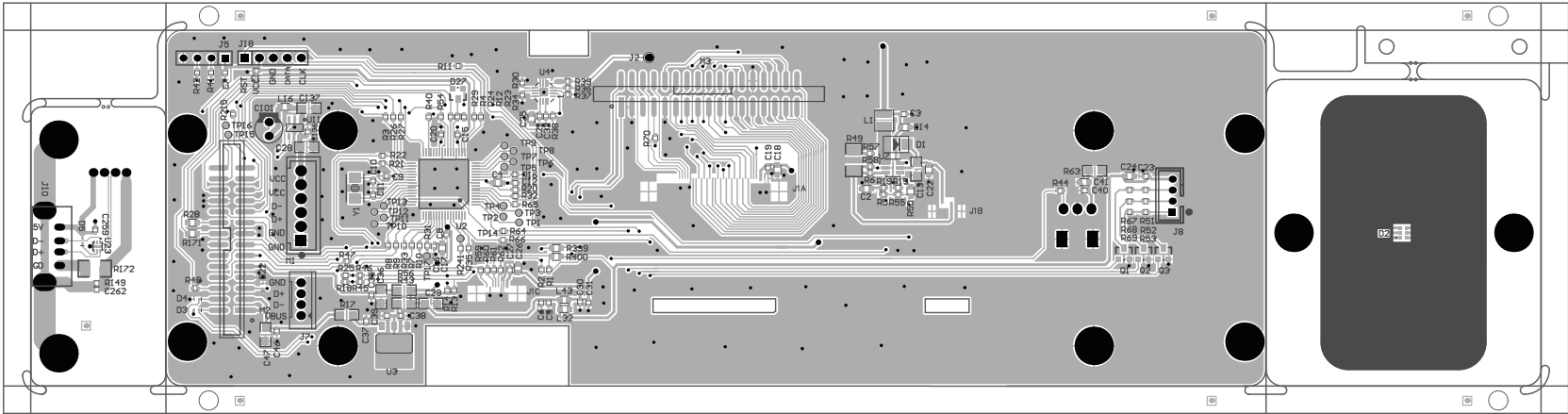
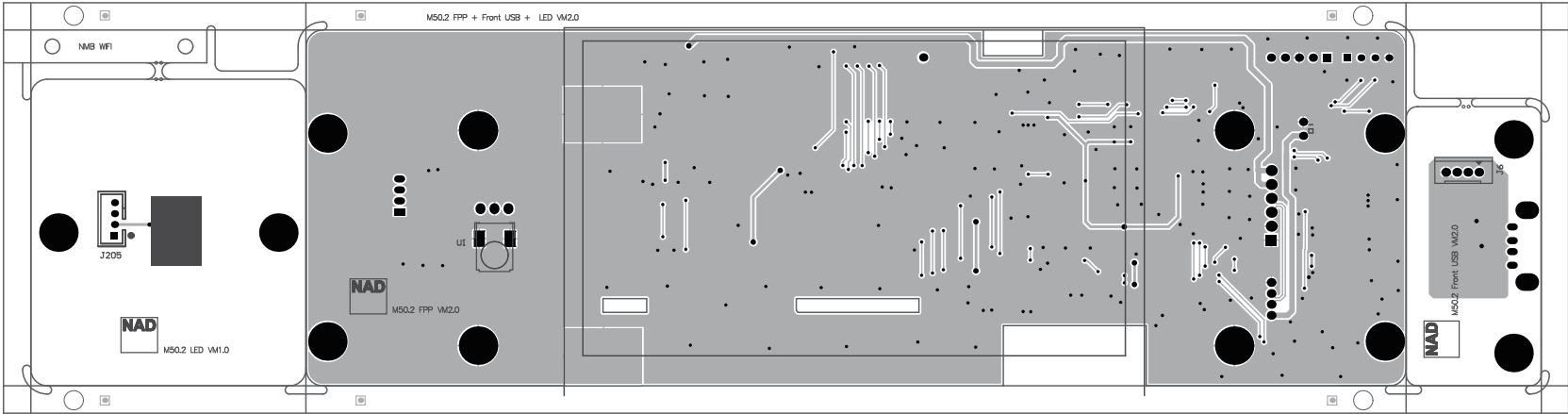
M50.2 BLOCK DIAGRAM



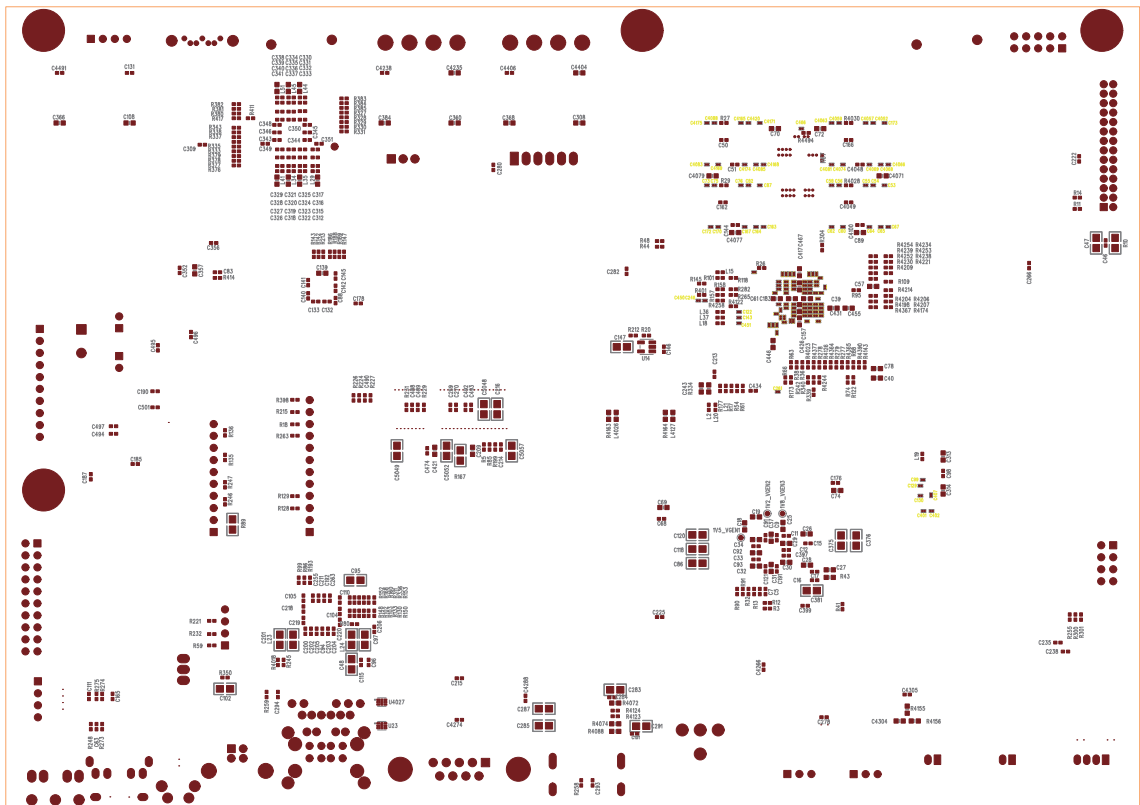
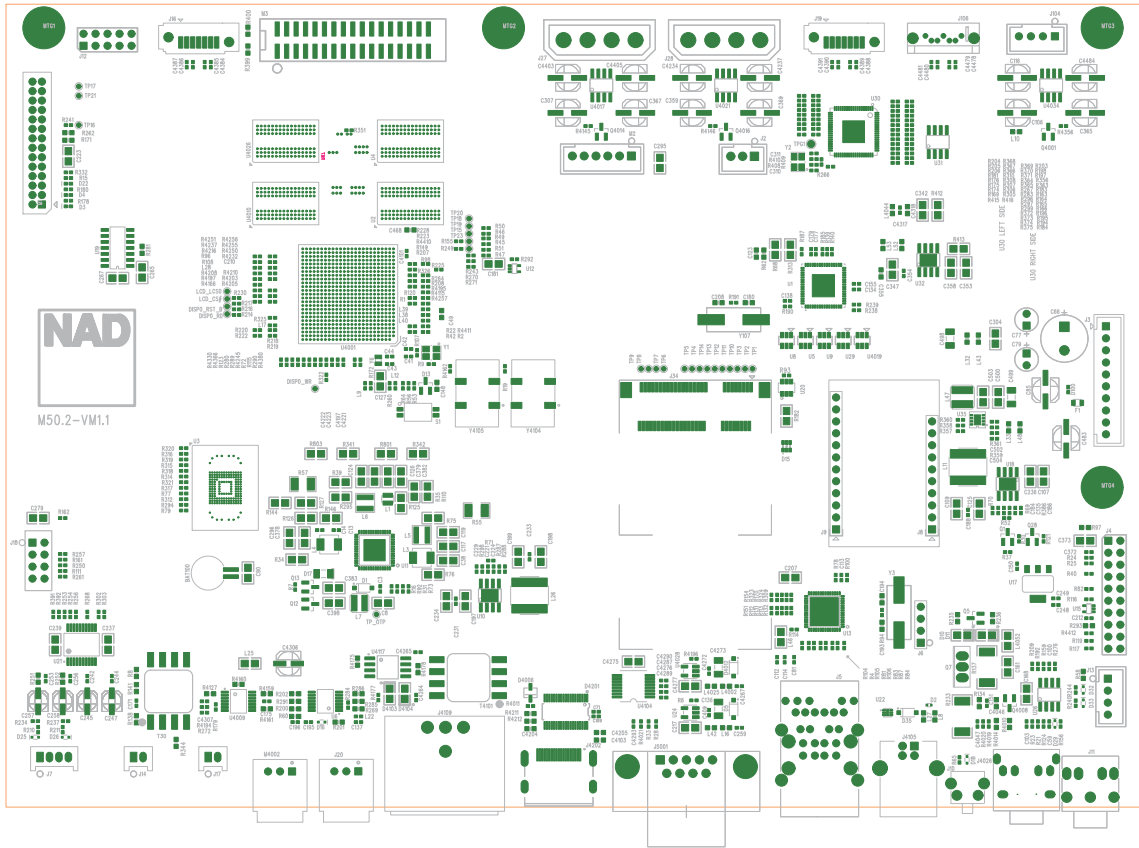
M50.2 PSU SCHEMATICS



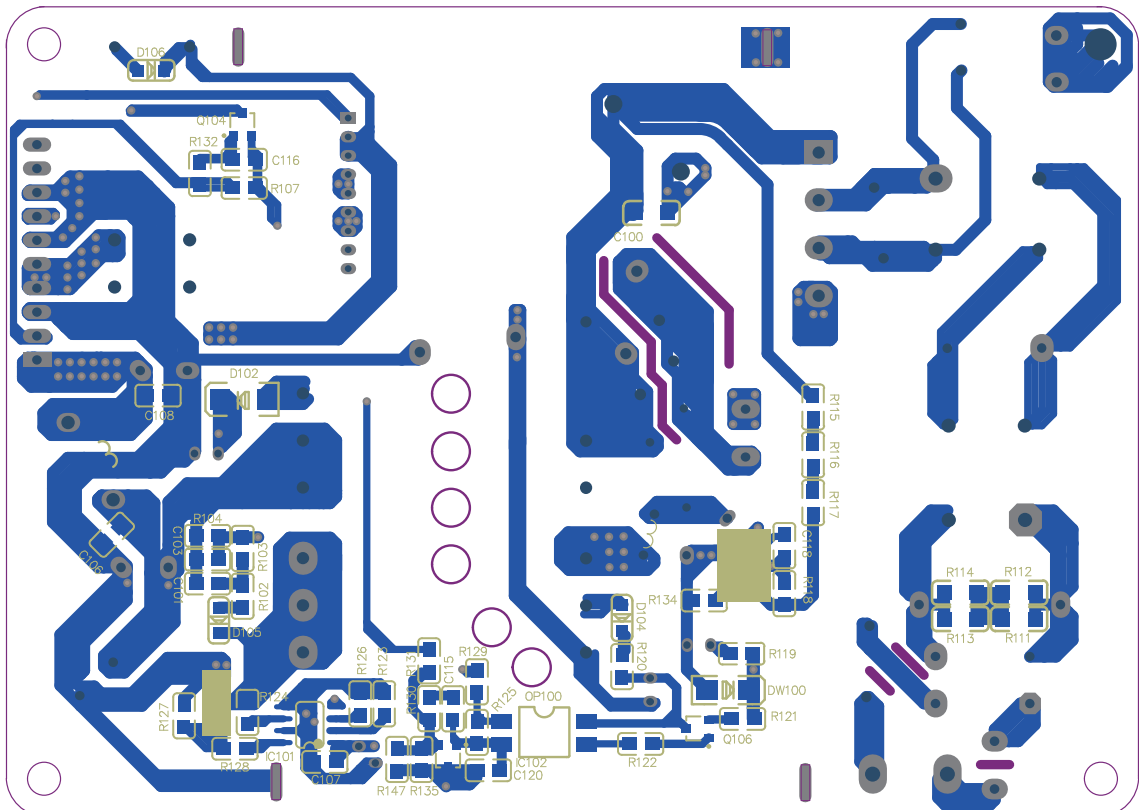
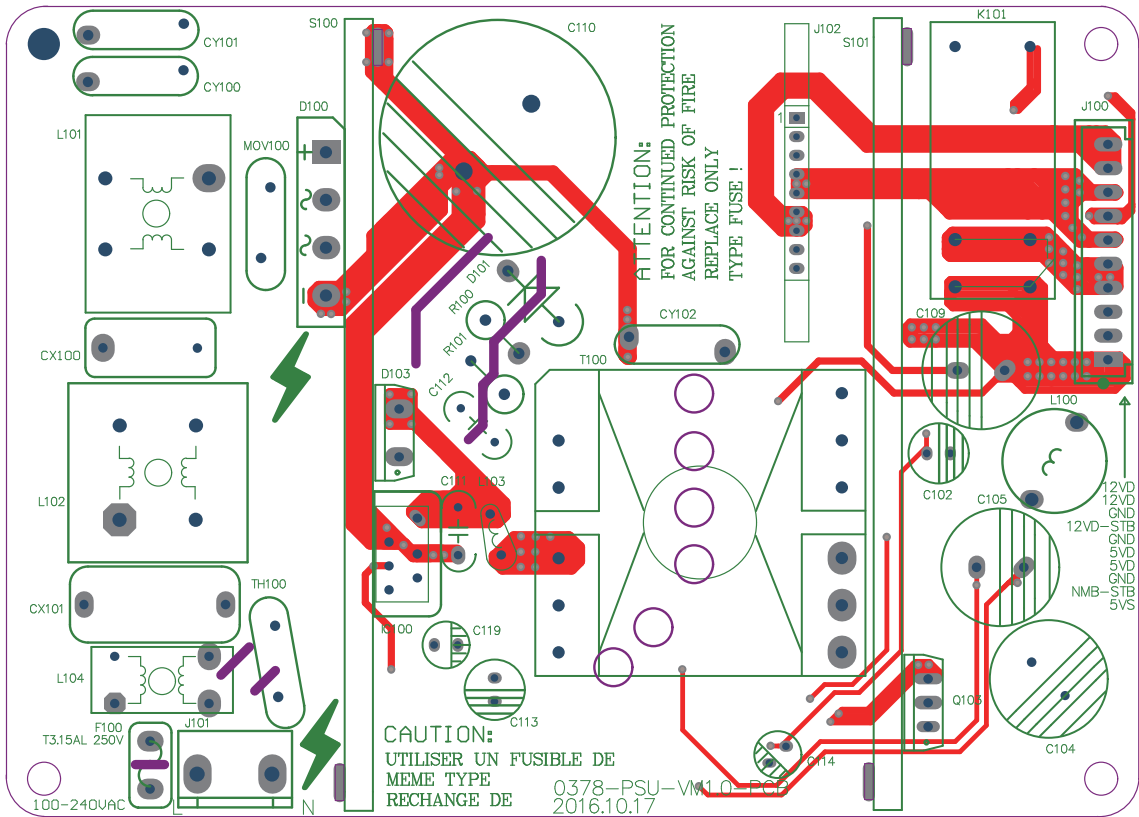
M50.2 FPP BOARD, FRONT USB BOARD, LED BOARD



M50.2 NMB BOARD



M50.2 PSU BOARD



M50.2 PARTS LIST

HS P/N	E10 P/N	Description	Part Type	Designator	Pin Qty	Qty
00-03780-00	00-03780-00	M50.2				
01-37811-00	01-1-037801					
02-37811-00	02-1-037801					
05-1-037801-2S	05-1-037801-2S	NMB Board PCB	VM1.1, FR-4,1.6mm, 250*180mm			1
03-06510-02	11-1-001055	processors	MCIMX6D5EYM10AD	U4001	624	1
11-1-001765	11-1-001765	FLASH	MTFC4GACAJCN-1M WT-TR	U3	153	1
03-00125-16	11-1-000091	Buffer	NC7SP125P5X	U12, U15	5	2
03-08064-00	11-1-001059	DC/DC converter	RT8064ZQW	U35	8	1
03-08293-00	11-1-000618	DC/DC converter	1.2MHz 3A Step Down Buck Converter RT8293BHGSP	U10, U18	8	2
11-1-001770	11-1-001770	USB Power Switch	RT9742EGJ5F	U24, U4028	5	2
03-08820-00	11-1-000633	Ethernet Transceiver	LAN8820-ABZJ	U13	56	1
03-00100-11	03-0-000282	PMIC	MMPF0100NPEP	U11	56	1
03-00100-07	11-1-000893	PMIC	MMPF0100NPAEP	U11	56	1
03-04164-01	11-1-000911	DDR3	MT41K64M16TW-107J	U2, U4, U4010, U4026	1	4
03-01803-01	11-1-000281	A/D	PCM1803ADB	U21	20	1
03-00504-02	11-1-000159	Ultra Low Capacitance TVS Arrays	RClamp0504P.TCT	U22, U23, U4027	6	3
03-08006-01	11-1-000986	SPI FLASH	MX25L8006EM1I-12G	U31	8	1
03-02517-00	11-1-001038	USB HUB	USB2517-JZX	U1	64	1
03-00006-01	11-1-000030	VERY LOW CAPACITANCE ESD PROTECTION	USBLC6-2SC6	U5, U8, U9, U29, U4019	6	5
03-06331-01	11-1-000541	Integrated Load Switch	FDC6331L	U20	6	1
03-07404-05	11-1-000575	HEX Inverter	SN74HCU04PWR,TSSOP14	U6, U4009	14	2
03-07486-06	11-1-000586	exclusive-OR gates	SN74LV86AD	U19	14	1
31-20085-01	13-1-000182	P-channel MOS FET	SP8J5TB	U4017, U4021, U4034	8	3
03-02020-00	11-1-001029	ESD Production	CM2020-01TR	D4201	38	1
03-75191-01	11-1-000838	Dual Differential Line Receiver	SN75ALS191PSR	U4117	8	1
03-03232-03	11-1-000392	RS232 Interface	SP3232EBEA	U4104	16	1
03-97050-00	11-1-001084	6G SATA port multipliers	88SM9705A0-NNR2C000	U30	84	1
03-04211-00	11-1-001046	LDO	SC4211STRT	U32	8	1
03-00393-03	11-1-000005	Dual Differential Comparator	LM393DRG3	U26	8	1
03-01117-06	11-1-000230	Linear Regulator	AMS1117-3.3	U17	3	1
33-00400-01	12-1-000036	Schottky Rectifier Diode	ZHCS400TA	D4006	2	1
33-40352-01	12-1-000021	Switch Diode	1SS352(TPH3,F),1SS355TE-17	D10, D11, D4103, D4104	2	4
33-20054-04	12-1-000168	Schottky Rectifier Diode	BAT54C-7-F,SOT-23	D13	23	1
33-00095-00	12-1-000032	TVS - Diodes	PESDUC9D5VU	D2	2	1
33-00055-00	12-1-000306	TVS Diodes	PESDNCSD5VB	D18, D25, D26	2	3
33-01017-00	12-1-000043	TVS - Diodes	SD101AW-7-F	D5, D35, D4012	2	3
33-51206-02	12-1-000286	LED	LTST-C150GKT Green	D17	2	1
33-00130-00	12-1-000033	SCHOTTKY DIODE	LMBR130T1G,SOD123L	D1	2	1
33-03301-00	12-1-000311	TVS - Diodes	UCLAMP3301H.TCT	D29	2	1
31-06401-01	13-1-000138	P-CH MOSFET	IRLML6401TRPBF	Q12	3	1
31-00114-05	13-1-000005	Digital transistor	DTC114EKAT146	Q1, Q28, Q4001, Q4014, Q4016, Q13, Q5, Q4008	3	8
07-90000-08	21-1-000004	Chip Resistor	OR 0402	R28, R33, R96, R243, R255, R256, R300, R301, R303, R65, R356, R363, R364, R365, R408, R409, R415, R416, R95, R15, R37, R118, R145, R173, R214, R216, R217, R223, R225, R228, R230, R242, R277, R278, R279, R280, R289, R290, R314, R315, R316, R317, R325, R326, R332, R401, R4143, R4257, R4258, R4364, R4365, R4366, R4377, R4380, R4390, R4410, R261, R86, R90, R91, R160, R162, R92, R99, R274, R73, R170, R58, R97, R141, R293, R171, R262, R399, R400, R344	2	67
07-90000-00	21-1-000001	Chip Resistor	0 ,0603, !5%	R127, R295, R313, R341, R342, R34, R35, R39, R75, R76, R89, R125, R126, R110, R146, R167, R182, R412, R413, R68	2	9
07-90000-01	21-1-000002	Chip Resistor	0 ,0805,1/8W,!5%		2	20
07-90000-03	21-1-000122	Chip Resistor	0 ,1210,1/2W,!5% ,RC1210JR-070RL	R55	2	1
07-92006-01	21-1-000770	Chip Resistor	0.02 ,1/8W,1%,0805,RL0805FR-070R02L	R10	2	1
07-91009-00	21-1-000035	Chip resistor	10 ,0603,1/10W,!1%,RC0603FR-0710RL	R200, R201, R202, R286, R291, R4159, R4160, R4161	2	8

HS P/N	E10 P/N	Description	Part Type	Designator	Pin Qty	Qty
07-90101-08	21-1-000139	Chip Resistor	100 ,0402,1/16W,15%,RC0402JR-07100RL	R23, R4020, R4177	2	3
07-91000-00	21-1-000019	Chip Resistor	100 ,0603,1/10W,1%,RC0603FR-07100RL	R251, R252, R4178	2	3
07-90101-06	21-1-000138	Chip Resistor	100 ,2512,1W,15%	R233	2	1
07-90479-06	21-1-000413	Chip Resistor	4.7 ,2512,1W,15%	R137	2	1
07-90102-08	21-1-000146	Chip Resistor	1K ,0402,1/16W,15%,RC0402JR-071KL	R272, R361, R13, R267, R283, R296, R297, R299, R305, R306, R307, R308, R310, R366, R367, R368, R369, R370, R371, R372, R373, R374, R375	2	23
07-91001-08	21-1-000503	Chip Resistor	1K ,0402,1/16W,11%	R113, R131, R133, R151, R152, R153, R227	2	7
07-90103-08	21-1-000151	Chip Resistor	10K ,0402,1/16W,15%,RC0402JR-0710KL	R414, R25, R30, R40, R77, R79, R116, R117, R119, R121, R24, R4145, R4146, R4356, R4412, R226, R292, R327, R328, R329, R330, R331, R333, R335, R337, R338, R343, R376, R377, R378, R379, R380, R381, R382, R383, R384, R385, R411, R237, R417, R234, R210, R211, R7, R12, R41, R26, R78, R193	2	49
07-91002-08	21-1-000026	Chip Resistor	10K ,0402,1/16W,1%,RC0402FR-0710KL	R67, R100	2	2
07-90103-00	21-1-000148	Chip Resistor	10K ,0603,1/10W,15%,RC0603JR-0710KL	R134, R235, R236, R4211, R4212	2	5
07-90104-08	21-1-000159	Chip Resistor	100K ,0402,1/16W,15%,RC0402JR-07100KL	R6, R139, R140, R186, R188, R189, R239, R4196, R386, R192, R248, R273, R276, R93, R159, R298, R3, R213, R147	2	19
07-90105-08	21-1-000163	Chip Resistor	1M ,0402,1/16W,15%,RC0402JR-071ML	R191, R21 R107 R410 R94	2	5
07-90121-00	21-1-000179	Chip Resistor	120 ,0603,1/10W,15%,RC0603JR-07120RL	R43, R285, R4127	2	3
07-91202-08	21-1-000042	Chip Resistor	12K ,0402,1/16W,1%,RC0402FR-0712KL	R190	2	1
07-90152-08	21-1-000202	Chip Resistor	1.5K ,0402,1/16W,15%,RC0402JR-071K5L	R1, R124	2	2
07-90153-08	21-1-000207	Chip Resistor	15K ,0402,1/16W,15%,RC0402JR-0715KL	R359	2	1
07-90153-00	21-1-000204	Chip Resistor	15K ,0603,1/10W,15%,RC0603JR-0715KL	R281, R4088	2	2
07-91910-08	21-1-000741	Chip Resistor	191 Ohm 0402 1% 1/10W	R4023	2	1
07-92000-08	21-1-000755	Chip Resistor	200 ,0402,1/16W,1%,RC0402FR-07200RL	R156, R2, R351, R4494	2	4
07-90223-08	21-1-000274	Chip Resistor	22K ,0402,1/16W,15%,RC0402JR-0722KL	R52, R71, R287	2	3
07-90225-08	21-1-000282	Chip Resistor	2.2M ,0402,1/16W,15%,RC0402JR-072M2L	R9	2	1
07-92400-08	21-1-001443	Chip Resistor	240 Ohm 0402 1% 1/10W	R27, R29, R304, R4028, R4030	2	5
07-92402-08	21-1-000846	Chip Resistor	24.0K Ohm 0402 1% 1/10W	R69, R357	2	2
07-92702-08	21-1-000896	Chip Resistor	27K ,0402,1/16W,1%,RC0402FR-0727KL	R4011	2	1
07-93002-08	21-1-000930	Chip Resistor	30K ,0402,1/16W,1%,RC0402FR-0730KL	R358	2	1
07-90330-08	21-1-000325	Chip Resistor	33 ,0402,1/16W,15%,RC0402JR-0733RL	R82, R241, R4166, R4174, R4197, R4198, R4203, R4204, R4205, R4206, R4207, R4208, R4209, R4210, R4214, R4216, R4221, R4230, R4232, R4234, R4237, R4238, R4239, R4250, R4251, R4252, R4253, R4254, R4255, R4256, R4330, R4367, R18, R128, R129, R135, R136, R215, R263, R398, R149, R155, R178, R180, R207, R208, R218, R219, R246, R247, R250, R257, R268, R270, R271, R4123, R4124, R4115, R4126, R4195, R4245, R36, R38, R240, R244	2	70
07-90330-00	21-1-000323	Chip Resistor	33 ,0603,1/10W,15%,RC0603JR-0733RL	R4155	2	1
07-90331-08	21-1-000331	Chip Resistor	330 ,0402,1/16W,15%,RC0402JR-07330RL	R5, R85, R199, R4018, R245, R350, R259, R258, R4021	2	9
07-90333-00	21-1-000336	Chip Resistor	33K ,0603,1/10W,15%,RC0603JR-0733KL	R4014	2	1
21-1-001589	21-1-001589	Chip Resistor	330K,0402 1% RC0402FR-07330KL	R360		1
07-90470-00	21-1-000378	Chip Resistor	47 ,0603,1/10W,15%,RC0603JR-0747RL	R62, R60, R269, R4175, R334	2	5
07-90472-08	21-1-000395	Chip Resistor	4.7K ,0402,1/16W,15%,RC0402JR-074K7L	R11, R14, R48, R49, R50, R51, R115, R122, R123, R157, R158, R209, R392, R22, R54, R61, R63, R98, R101, R220, R222, R59, R221, R80, R232	2	25
07-90472-00	21-1-000390	Chip Resistor	4.7K ,0603,1/10W,15%,RC0603JR-074K7L	R4156	2	1
07-90473-08	21-1-000402	Chip Resistor	47K ,0402,1/16W,15%	R179, R275	2	2
07-90473-00	21-1-000398	Chip Resistor	47K ,0603,1/10W,15%,RC0603JR-0747KL	R4072, R4074	2	2
07-94999-08	21-1-001147	Chip Resistor	49.9 ,0402,1/16W,1%,RC0402FR-0749R9L	R4, R81, R83, R84, R87, R104, R105, R106, R229, R231	2	10
07-96041-08	21-1-001228	Chip Resistor	6.04K ,0402,1/16W,1%,RC-02K6041FTLFP	R42, R266, R4411	2	3
07-90682-08	21-1-000459	Chip Resistor	6.8K ,0402,1/16W,15%	R274	2	1
07-90683-08	21-1-000462	Chip Resistor	68K ,0402,1/16W,15%,RC0402JR-0768KL	R31, R32, R108, R109	2	4
07-90750-08	21-1-000470	Chip Resistor	75 ,0402,1/16W,15%,RC0402JR-0775RL	R4194	2	1
07-97502-08	21-1-001312	Chip Resistor	75K ,0402,1/16W,1%,RC0402FR-0775KL	R70, R288	2	2
07-98061-08	21-1-001324	Chip Resistor	8.06K ,0402,1/16W,11%	R114	2	1
07-70500-00	21-1-001397	Multilayer Varistor for ESD Pulse	3pF, 5V, 0402, EZJZ0V500AA	D100	2	1
26-10151-08	23-1-000017	Ceramic Chip Capacitor	100pJ,50V,0402,NPO	C59, C63, C100, C253, C256	2	5
26-10251-18	23-1-000207	Ceramic Chip Capacitor	1000pF 50V ! 5% 0402 COG	C111, C293, C294, C4293, C317, C321, C325, C329, C333, C337, C341	2	11
26-10351-08	23-1-000225	Chip Capacitor	10nF,50V,0402,X7R,! 10%,CC0402KRX7R9BB103	C175, C434, C502, C4384, C4385, C4386, C4387, C4388, C4389, C4390, C4391, C4478, C4479, C4480, C4481, C316, C320, C324, C328, C332, C336, C340, C344, C346, C348, C349, C350, C351, C4197, C4221, C4222, C4223	2	32
26-10351-01	23-1-000223	Ceramic Chip Capacitor	10nK,50V,0805,X7R	C304	2	1

HS P/N	E10 P/N	Description	Part Type	Designator	Pin Qty	Qty
08-04109-12	24-1-000053	Inductor	74437324010	L3, L4, L47	2	3
08-04229-15	24-1-000114	Inductor	744029002	L7	2	1
08-04479-19	24-1-000166	Inductor	NR8040T4R7N, 4.7uH 4.1A 8mmx8mm 0.65 Ohm	L11, L26	2	2
08-04109-09	24-1-000051	Inductor	VLS252010ET-1RON	L1	2	1
17-08119-04	46-0-000250	HDMI SOCKET	HDMI-007	J4202	19	1
13-21007-00	43-1-000130	SATA SOCKET	7Pin, 678005003	J16, J19		2
13-20852-00	43-2-000033	MINI-PCIE	0.8mm, 52Pin 51700-0520W-001	J34		1
42-1-000037	42-1-000037	Connector	PH2.0 ,2*17pin,SMT,CNT-M200-2*17-GM-4.5/6/0-2.0-TR	M3		1
20-13302-01	27-1-000008	Fuse	S0603-F-3.0A,3A,32V	F1		1
06-47111-14	23-2-000502	Alu Electrolytic Capacitor	HEN,470uF,16V,120%,105\$	C66		1
06-10011-03	23-2-000074	Alu Electrolytic Capacitor	CD263(X),10uF,16V,120%,105\$,F2.5	C77, C79		2
31-01220-00	13-2-000047	Power Transistor	KSA1220AVSTU, TO-126	Q7	3	1
24-1-000443	24-1-000443	Audio Transformer	MS8121NLA,3%	T4101	8	1
03-01180-01	46-0-000329	OPTICAL TX	DLT2180A-2(25M)	J20		1
17-06001-07	46-0-000189	OPTICAL RECEIVER	DLR2180/25M	M4002		1
17-08109-02	46-0-000248	Connector	SI-DSUB-210-9/DMR-09P/7906-09MHA	J5001	4	1
J17-09103-13	46-0-000320	Mic Connector	NC3MAAH	J4109		1
J17-08001-58	46-0-000307	USB connector	292304-1	J4105	4	1
11-04101-71	25-2-000057	Tact Switch	ELTSA-61KN-H	J10		1
17-02002-09	46-0-000145	Phone Jack	SCJ351P00WS0BP6G	J4026		1
13-12510-33	42-2-000094	Connector	2.54mm (,10Pin,CNT-M254-1*10-GS-4/2.8-N	J8		1
13-12512-08	42-2-000095	Connector	2.54mm (,12Pin,CNT-M254-1*12-GS-4/2.8-N	J9		1
13-22510-00	43-2-000200	Connector Socket	XHB 2.5A-10A/TJC3-10A	J3		1
13-22504-00	43-2-000157	Connector Socket	XHB 2.5A-4A	J13, J104	4	2
13-12520-09	42-2-000155	Pin Header	2.54mm (,2*10Pin,CNT-M254-2*10-GS-5/3-N	J4	20	1
13-22503-00	43-2-000004	Connector Socket	XHB 2.5A-3A/TJC3-3A	J2	3	1
13-12028-03	42-2-000153	Connector	2.0mm (,2*14pin, CNT-M200-2*14-GS-4/2.7-1.5-N	M1	28	1
13-22506-00	43-2-000175	Connector Socket	XHB 2.5A-6A/TJC3-6A	M2	6	1
17-08002-06	46-0-000392	CONN MAGJACK 2 USB-1000 BASE-T	HR981123C	J5		1
13-25004-11	43-2-000427	Socket	4pin 5.08mm,15-24-4449	J27,J28		2
17-02001-68	46-0-000128	Phone Jack	CKX-3.5-02F	J11		1
13-22004-10	43-2-000088	Connector	HY-4A,2.0mm 4pin	J7		1
13-22002-06	43-2-000079	Connector	HY2.0A-2A	J14, J17		2
13-21207-00	43-2-000061	SATA SOCKET	1.27mm gap, 7Pin, SATA-7-P-X-B	J106		1
29-44600-00	45-2-000069	RF Cable Assembly	C6048-510029PA, L=175mm			1
30-27400-00	39-0-000009	Batteries	3V 5.5MAH, MS621FE FL11E	BAT100		1
37-09485-00	33-0-000004	WIFI module	AEH-AR9485-NC			1
85-066001-0	75-0-000020	Spacer	3-2)**,- 2.		2
61-022512-5	65-0-000055	Machine Screws	MB2.5" 12)**,- 2.		2
62-010202-5	65-0-000361	Nut	M2.5)**,- 2.		2
85-223002-0	75-0-000058	Round spacer	3-2.5			2
01-37406-01	01-2-046406	CSR8670 BT Module				
02-37406-01	02-1-046406	CSR8670 BT Module SMT				
A16-37406-22	05-4-046406-05	CSR8670 Board PCB	VM2.0, FR-4			1
07-90000-00	21-1-000001	Chip Resistor	0 ,0603, 15%	R801, R802, R806, R807, R808, R811	2	6
26-47151-00	23-1-000067	Ceramic Chip Capacitor	470pj,50V,0603,NPO	C805	2	1
26-10251-10	23-1-000022	Ceramic Chip Capacitor	1nJ,50V,0603,NPO,C1608C0G1H102JT	C804	2	1
26-10451-10	23-1-000034	Ceramic Chip Capacitor	100nK,50V,0603,X7R	C800, C802, C807	2	3
26-10611-20	23-1-000281	Multilayer Ceramic CAP	10uF,10V,0603,X5R,120%	C801	2	1
23-1-001028	23-1-001028	Ceramic Chip Capacitor	22uM,6.3V,0603,X5R,GRM188R60J226MEA OD	C808	2	1

HS P/N	E10 P/N	Description	Part Type	Designator	Pin Qty	Qty
26-10711-02	23-1-000292	Ceramic Chip Capacitor	100uF, 10V, 20%,X5R 1206, C3216X5R1A107M	C806,C809	2	2
13-22510-25	43-1-000114	SMD socket	10Pin 2.54' (, CNT-F254-1*10-GM1- 500/5.0-TR	P800	10	1
13-22512-14	43-1-000115	SMD socket	12Pin 2.54' (, CNT-F254-1*12-GM1- 500/5.0-TR	P801	12	1
01-37407-00	01-2-046407	MAIN BOARD		U800		1
02-37407-00	02-1-046407	MAIN BOARD SMT				
A16-25702-21	05-4-053702-05	MAIN PCB	VM1.0,FR-4,1.0mm			1
03-08670-00	11-1-000627	Bluetooth IC	CSR8670C IBBH R	U1	1	1
22-02080-00	24-1-000232	Multilayer Chip Band Pass Filters For Bluetooth &	DEA252450BT-2080B2	U3	4	1
07-90000-08	21-1-000004	Chip Resistor	OR 0402	R3 R41	2	2
07-90000-08	21-1-000004	Chip Resistor	OR 0402	L3	2	
26-30851-08	23-1-000439	Ceramic Chip Capacitor	0.3pF 50V 0.05pF 0402 COG GJM1555C1HR30WB01D	C16	2	1
26-15011-08	23-1-000314	Ceramic Chip Capacitor	15pF,16V, 2%,NPO,0402	C10	2	1
26-10351-08	23-1-000225	Ceramic Chip Capacitor	10nF,50V,0402,X7R, 10%,CC0402KRX7R9BB103	C6, C7, C11	2	3
26-10411-08	23-1-000235	Ceramic Chip Capacitor	100nF,16V,0402,X7R, 10%,C1005X7R1C104KT	C5, C13, C14, C26	2	4
26-22560-08	23-1-000409	Ceramic Chip Capacitor	2.2uF,6.3V,0402,X5R,20%	C1, C2, C3, C25, C9, C20	2	6
26-47560-00	23-1-000555	Ceramic Chip Capacitor	4.7UF 6.3V X5R 0603	C4, C8	2	2
26-47411-08	23-1-000527	Ceramic Chip Capacitor	470nF,10V,0402,X5R,C1005X5R1A474KT000 E	C12	2	1
08-04479-16	24-1-000164	Inductor SMD	NLCV25T-4R7M-PF	L1, L2	2	2
17-05001-14	46-0-000183	RF Connector SMD	KFM110Z-1002-7F	CON1		/01 * EA:1
or 17-05101-01	#/A	UFL RF Coax	20279-001E-01	CON1		/01 * EA:1
or 17-05001-04	or 46-0-000181	RF Connector SMD	U.FL-R-SMT-1(10)	CON1		/01 * EA:1
04-12602-01	14-1-000045	Crystal	X32-26.000-9P-10/20Y, 26.000MHz,CL=9pF,FL=10PPM	XT1	2	1
01-37806-00	01-1-037806	FPP Board				
02-37806-00	02-1-037806	FPP Board				
05-4-037806-2S	05-4-037806-2S	FPP Board PCB	VM2.0,FR-4,1.6mm,,size 200*65mm			1
03-32330-00	11-1-000758	MCU	PIC32MX330F064H-I/PT	U2	64	1
03-01117-06	11-1-000230	Linear Regulator	AMS1117-3.3	U3	3	1
03-05724-01	11-1-000524	WHITE LED STEP-UP CONVERTER	AP5724WG-7	U7	6	1
11-1-001770	11-1-001770	USB Power Switch	RT9742EGJ5F	U11	5	1
03-02044-02	11-1-000303	four button capsense controller	CY8CMBR2044-24LKXI	U4	16	1
07-90000-08	21-1-000004	Chip Resistor	OR 0402	R30, R32, R34, R36, R37, R45, R46, R47, R48, R57, R59, R60, R61, R62	2	14
07-90101-08	21-1-000139	Chip Resistor	100 ,0402,1/16W, 5%,RC0402JR-07100RL	R11, R67	2	2
07-90102-08	21-1-000146	Chip Resistor	1K ,0402,1/16W, 5%, RC0402JR-071KL	R5, R15	2	2
07-90103-08	21-1-000151	Chip Resistor	10K ,0402,1/16W, 5%,RC0402JR-0710KL	R20, R38, R70	2	3
07-90104-08	21-1-000159	Chip Resistor	100K ,0402,1/16W, 5%, RC0402JR- 07100KL	R215, R19	2	2
07-90100-08	21-1-000132	Chip Resistor	10 ,0402,1/16W, 5%, RC0402JR-0710RL	R69	2	1
07-90330-08	21-1-000325	Chip Resistor	33 ,0402,1/16W, 5%, RC0402JR-0733RL	R3, R4, R7, R8, R9, R10, R12, R16, R21, R22, R23, R26, R27, R29, R31, R33, R35, R40, R41, R42, R44, R51, R52, R53, R54, R68, R241	2	27
07-90472-08	21-1-000395	Chip Resistor	4.7K ,0402,1/16W, 5%, RC0402JR-074K7L	R1, R2, R13, R14, R18, R24, R25, R64, R65, R66	2	10
07-95101-08	21-1-001156	Chip Resistor	5.1K ,0402,1/16W, 1%	R6	2	1
07-92006-01	21-1-000770	Chip Resistor	0.02 Ohm 0805 1% 1/8W	R17, R43, R63	2	3
07-90339-02	21-1-000347	Chip Resistor	3.3 ,1206,1/4W, 5%,RC1206JR-073R3L	R49	2	1
07-90000-00	21-1-000001	Chip Resistor	0 , 0603, 5%	R28, R171, R399, R400	2	4
07-90561-08	21-1-001498	Chip Resistor	560 ,0402,1/16W, 5%	R39	2	1
26-10451-10	23-1-000034	Ceramic Chip Capacitor	100nK,50V,0603,X7R	C22	2	1
26-22251-08	23-1-000370	Ceramic Chip Capacitor	2.2n,50V,X7R,CC0402KRX7R9BB222	C32	2	1
26-22051-08	23-1-000047	Ceramic Chip Capacitor	22pJ,50V,0402,NPO,C1005C0G1H220JT/CC0 402JRNPO9BN220	C10, C11	2	2
26-10411-08	23-1-000235	Ceramic Chip Capacitor	100nF,16V,0402,X7R, 10%,C1005X7R1C104KT	C1, C3, C6, C7, C8, C9, C12, C15, C16, C19, C20, C21, C27, C31, C23, C35, C37, C39, C40, C46	2	20
26-10511-18	23-1-000261	Ceramic Chip Capacitor	1uK,16V,0402,X5R,C1005X5R1C105K	C5, C30, C38, C136	2	4
26-10511-10	23-1-000260	Ceramic Chip Capacitor	0603, 1uF, 16V, X5R, 10%	C14	2	1
26-22511-20	23-1-000055	Ceramic Chip Capacitor	2.2uK,16V,0603,X7R	C2	2	1

HS P/N	E10 P/N	Description	Part Type	Designator	Pin Qty	Qty
26-22521-21	23-1-000406	Ceramic Chip Capacitor	2.2uF,! 10%,25V,X7R,0805,GRM21BR71E225KA	C13	2	1
26-10611-20	23-1-000281	Ceramic Chip Capacitor	10uF,10V,0603,X5R,! 20%	C4, C17, C18, C24, C25, C26, C41	2	7
26-10611-21	23-1-000039	Ceramic Chip Capacitor	10uK,16V,0805,X5R	C28, C29, C36, C47, C137	2	5
33-34013-01	12-1-000224	Diode Schottky	B340LA-13-F	D1	2	1
33-40056-03	12-1-000320	Diodes	BAW56	D27	3	1
or N33-40056-02	#/A	DUAL SWITCHING DIODE	BAW56LT1	D27		1
33-00095-00	12-1-000032	TVS - Diodes	PESDUC9D5VU	D3, D4, D22	2	3
or N33-09505-00	#/A	TVS - Diodes	ESD9L5.0ST5G TVS ESD PROT ULT LOW CAP 5-5.4V SOD-923	D3, D4, D22		3
08-04220-14	24-1-000092	Inductor SMD	744032220,22uH,! 10%,1210	L1	2	1
08-04221-02	24-1-000097	FER BEAD	220Ohm @ 100MHz, 3A, 50m Ohm DC	L16	2	1
08-04121-20	24-1-000068	FER BEAD	120Ohm @ 100MHz, 3A, 25m Ohm DC	L32, L43	2	2
31-00846-01	13-1-000068	Transistor	BC846B,SOT23	Q1, Q2, Q3	3	3
04-18001-03	14-1-000065	Crystal	8.000MHz,20pF,30PPM,MJ2-8.000-20P- 30/30Y	Y1	2	1
13-20540-11	43-1-000125	SMD FPC Connector	40Pin,0.5mm,2	J1A	40	1
13-20519-00	43-1-000013	FPC Connector	FH19C-4S-0.5	J1B	19	1
13-20508-01	43-1-000009	FPC Connector	FPC PH0.5 8P	J1C		1
42-1-000036	42-1-000036	Connector	PH2.0	M2		1
42-1-000037	42-1-000037	Connector	PH2.0	M3		1
06-12111-01	23-2-000909	Alu Electrolytic Capacitor	CD287,120uF,16V,! 20%,105\$,F2.5	C101		1
03-34838-00	11-2-000120	IR Receiver	TSOP34838	U1	3	1
66-017004-0	63-1-001704-0	IR Bracket	TIN Plate t=0.3mm	U1		1
13-22004-10	43-2-000088	SOCKET	HY-4A,	J7, J8		2
13-22506-00	43-2-000175	Connector Socket	XHB 2.5A-6A/TJC3-6A	M1	6	1
13-10001-22	42-2-000042	Test Pin	CNT-M254-1*1-GS-GS-6/3-N	J2		1
01-37812-00	01-1-037802	LED BOARD				
02-37812-00	02-1-037802	LED BOARD SMT				
05-4-037802-2S	05-4-037802-2S	LED PCB	VM1.0,FR-4,1.6mm			1
33-51616-00	12-1-000290	three color LED	WE-SP195UBURUGW	D2	6	1
13-22004-10	43-2-000088	SOCKET	HY-4A,2.0mm	J205		1
01-37813-00	01-1-037803	Front USB BOARD				
02-37813-00	02-1-037803	Front USB BOARD SMT				
05-4-037803-2S	05-4-037803-2S	Front USB PCB	VM2.0,FR-4,1.6mm			1
03-00504-02	11-1-000159	Ultra Low Capacitance TVS Arrays	RClamp0504P.TCT	U23	6	1
33-00095-00	12-1-000032	TVS - Diodes	PESDUC9D5VU	D5	2	1
or N33-09505-00	#/A	TVS - Diodes	ESD9L5.0ST5G TVS ESD PROT ULT LOW CAP 5-5.4V SOD-923	D5		1
26-10411-08	23-1-000235	Ceramic Chip Capacitor	100nF,16V,0402,X7R,! 10%,C1005X7R1C104KT	C259	2	1
26-10251-18	23-1-000207	Ceramic Chip Capacitor	1000pF 50V !5% 0402 COG	C262	2	1
07-90331-08	21-1-000331	Chip Resistor	330 ,0402,1/16W,! 5%, RC0402JR-07330RL	R149	2	1
07-90000-03	21-1-000122	Chip Resistor	0 ,1210,1/2W,! 5%, RC1210JR-070RL	R172	2	1
17-08001-19	46-0-000210	USB SOCKET	GL56S04-04C,	J10		1
13-22004-10	43-2-000088	SOCKET	HY-4A,2.0mm	J6		1
70-382015-0	61-1-038215-0	Spacer	Al 1050			2
01-37808-01	01-1-037808	PSU Board	PSU Board			
02-37808-01	02-1-037808	PSU Board SMT	PSU Board SMT			
05-4-037808-1S	05-4-037808-1S	PSU Board PCB	VM1.0,FR-4,1.6mm,			1
33-40321-00	12-1-000236	DIODE SMD	BAS321	D104, D105, D106	23	3
33-12000-03	12-1-000081	Zener Diode SMD	20V, 3W, BZG03C20	DW100	2	1
33-20220-01	12-1-000013	Ultrafast Power Rectifier	MURA220T3G	D102	2	1
A03-00817-09	11-1-000862S	Photo Coupler	EL817S1(B)(TA)-F	OP100	4	1
03-00431-05	11-1-000006	Regulator	TL431CDBZR	IC102	3	1

HS P/N	E10 P/N	Description	Part Type	Designator	Pin Qty	Qty
31-03904-05	13-1-000114	Transistor	MMBT3904LT1,SOT-23	Q104,Q106	3	2
or 31-03904-03	or 13-1-000113	Transistor	MMBT3904LT1,SOT-23	Q104,Q106	3	2
03-04305-02	11-1-000972	IC DRIVER	NCP4305DDR2G	IC101	8	1
07-91008-01	21-1-000524	Chip Resistor	1 ,0805,1/8W,11%,RC0805FR-071RL	R120, R128	2	2
07-96808-01	21-1-001275	Chip Resistor	6.8 ,0805,1/8W,11%,RC0805FR-076R8L	R119	2	1
07-92209-01	21-1-000810	Chip Resistor	22 ,0805,1/8W,11%,RC0805FR-0722RL	R121, R122	2	2
07-91001-01	21-1-000023	Chip Resistor	1K ,0805,1/8W,11%,RC0805FR-071KL	R125, R129, R132	2	3
07-90101-01	21-1-000135	Chip Resistor	100 ,0805,1/8W,15%,RC0805JR-07100RL	R124	2	1
07-94701-01	21-1-001087	Chip Resistor	4.7K ,0805,1/8W,11%,RC0805FR-074K7L	R131, R135	2	2
07-96801-01	21-1-000108	Chip Resistor	6.8K ,0805,1/8W,11%,RC0805FR-076K8L	R102	2	1
07-91202-01	21-1-000582	Chip Resistor	12K ,0805,1/8W,11%,RC0805FR-0712KL	R134	2	1
07-91002-01	21-1-000025	Chip Resistor	10K ,0805,1/8W,11%,RC0805FR-0710KL	R127	2	1
07-91502-01	21-1-000047	Chip Resistor	15K ,0805,1/8W,11%,RC0805FR-0715KL	R126	2	1
07-92002-01	21-1-000762	Chip Resistor	20K ,0805,1/8W,11%,RC0805FR-0720KL	R130	2	1
07-92202-01	21-1-000062	Chip Resistor	22K ,0805,1/8W,11%,RC0805FR-0722KL	R123	2	1
07-93902-01	21-1-001029	Chip Resistor	39K ,0805,1/8W,11%,RC0805FR-0739KL	R103, R104	2	2
07-91003-01	21-1-000028	Chip Resistor	100K ,0805,1/8W,11%,RC0805FR-07100KL	R107	2	1
07-91803-01	21-1-000720	Chip Resistor	180K ,0805,1/8W,11%,RC0805FR-07180KL	R118	2	1
07-91004-02	21-1-000515	Chip Resistor	1M ,1206,1/4W,11%,RC1206FR-071ML	R111, R112, R113, R114		4
07-93304-01	21-1-000968	Chip Resistor	3.3M ,0805,1/8W,11%,RC0805FR-073M3L	R115, R116, R117	2	3
07-90513-01	21-1-000423	Chip Resistor	51K ,0805,1/8W,15%,RC0805JR-0751KL	R147	2	1
26-10151-01	23-1-000016	Chip capacitor	0805, 100PF, 50V, NPO	C116	2	1
26-10312-01	23-1-000216	Chip capacitor	10nK, 100V, X7R, 0805	C101	2	1
26-33312-01	23-1-000461	Chip capacitor	33nK,100V,0805,X7R	C103	2	1
26-10451-11	23-1-000249	Chip capacitor	100nK,50V,0805,X7R,C2012X7R1H104KT	C106, C107, C108, C118	2	4
26-10362-12	23-1-000027	High Voltage MLC Chip Capacitor	10nK,630V,X7R,1206,1206CC103KAZ1A	C100	2	NC
26-22451-11	23-1-000053	Ceramic Chip Capacitor	220nK,50V,0805,X7R	C115	2	1
21-2-001441	21-2-001441	Metal Oxide film Resistor	RY21, 82K , 2W, 15%,Pitch=5mm 34	R100, R101		2
A07-70050-06	21-2-000616S	NTC	SCK13055LFY	TH100		1
A07-70471-12	21-2-000631S	Varistor	TVR10471-D	MOV100		1
33-30682-00	12-2-000125	Rectifier Bridge	GBU608, 6A 800V	D100		1
33-20860-00	12-2-000077	Rectifier Diode	MURF860G,TO-220FP	D103		1
31-00266-00	13-2-000029	N-ch MOSFET	AOT266L 60V 78A	Q103		1
or 33-18010-00	or 12-2-000277	N-ch POWER MOSFET	NDPL180N10BG	Q103	3	1
33-26200-00	12-2-000003	Transient Suppressor	P6KE-200ARL	D101	15	1
03-00268-00	11-2-000026	Power controller IC	TOP268EG	IC100		1
A20-12312-06	27-2-000035S	Fuse	5ET-032HA & MST3.15,T3.15A/250V	F100		1
A12-02101-05	26-2-000032S	Power Relay	HF115F-I/005-1HS3A555,16A/250V 5V	K101		1
06-47031-01	23-2-000473	Alu Electrolytic Capacitor	CD286,47uF,35V,120%,F2.5	C119		1
06-10131-03	23-2-000149	Alu Electrolytic Capacitor	CD286,100uF,35V,120%,105\$	C102		1
06-10051-24	23-2-000100	Alu Electrolytic Capacitor	CD281L,10uF,50V,105\$,F2.5	C114		1
or 06-10051-27	#/A	Alu Electrolytic Capacitor	RZW 10uF,50V,120%,105\$,RXW100M1H-0511-F3Y35U	C114		1
06-47051-05	23-2-000482	Alu Electrolytic Capacitor	CD286,47uF,50V,120%,105\$	C113		1
06-22211-08	23-2-000933	Alum Electrolytic Capacitor	2200uF,16V,120%,105\$ RXW222M1CBK-1325	C104, C105, C109		3
06-18142-04	23-2-000874	Alu Electrolytic Capacitor	LSM181M2G--A2530P,LSM,180uF,400V,105\$,120%	C110		1
25-47242-02	23-2-000760	Metallized Polyester Film Capacitor	CL23B-400V-472KR, C242G472K20A201	C112		1
A05-10242-00	23-2-000017S	Hign Voltage Cermatic Capacitor	1nF, 400V(X1), 250V(Y1), 120% CT81-400VAC-08b-2E4-102M-YA	CY100,CY101,CY102		3
A25-47422-08	23-2-000852S	Interfernece Suppression Cap	MPX, 470nF, 275VAC, X2, 120%,Pitch=15mm, 18mm*8.5mm	CX101		1
A25-15422-00	23-2-000831S	Interfernece Suppression Cap	MKP62,150nF,275V,110%,C42P2154K4SC750	CX100		1
13-23903-01	43-2-000008	Connector Socket	LD7.92A-2A,	J101	2	1

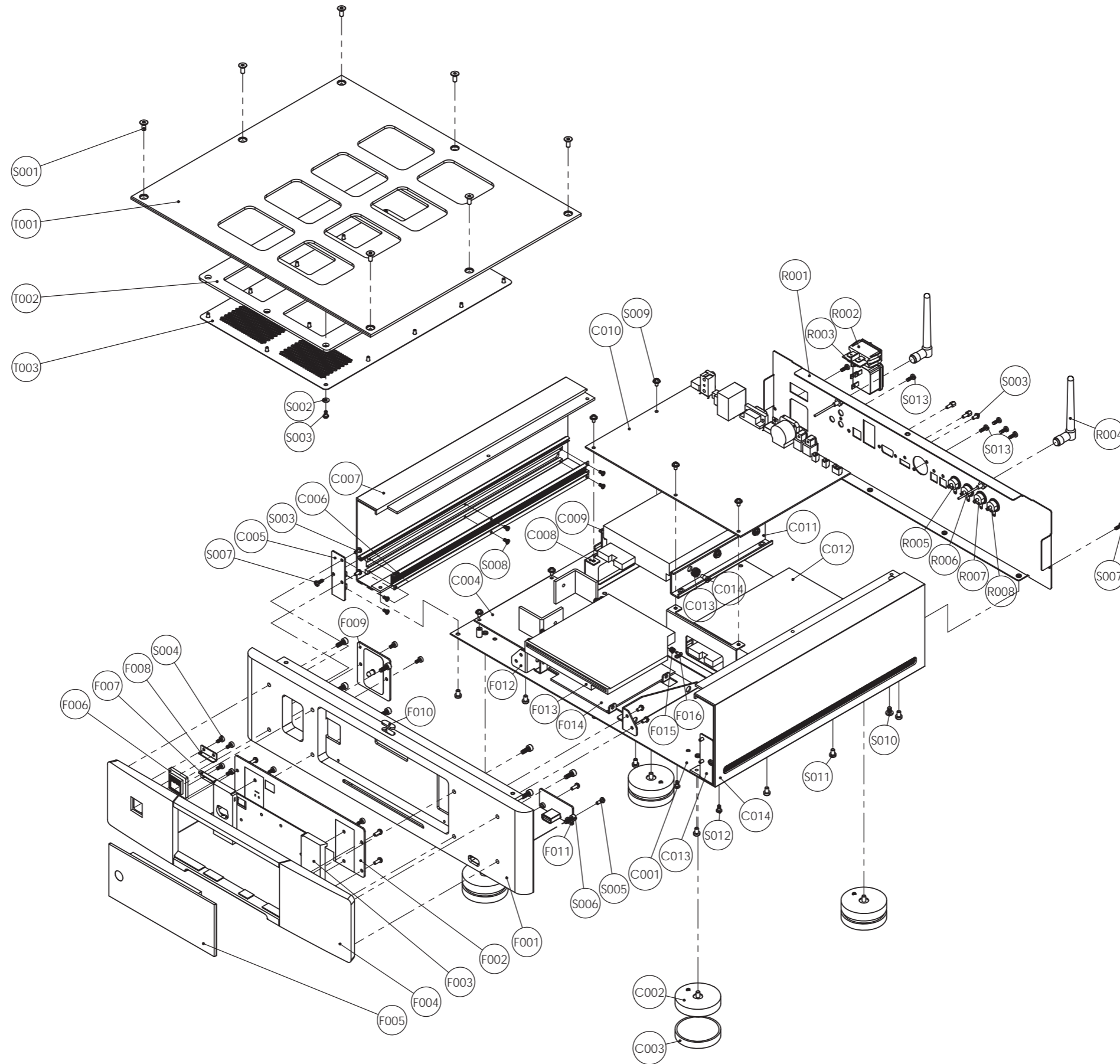
HS P/N	E10 P/N	Description	Part Type	Designator	Pin Qty	Qty
13-22510-00	43-2-000200	Connector Socket	XHB 2.54A-10A	J100	2	1
19-35980-00	24-2-000151	Inductor	FB F10 RHW 3.5*8.3*0.8-T	L103		1
08-02609-00	24-2-000454	Inductor	R0625-6.0uH	L100		1
08-02103-02	24-2-000430	Inductor	HJ-T1810-10mH	L101		1
24-2-000545	24-2-000545	Filter Inductor	HJ-T16-703	L102		1
08-02701-00	24-2-000432	Common Mode Choke	T12.7*7.9*6-700uH(T1W0.5)	L104		1
24-2-000502S	24-2-000502S	Transformer	HJ-M50.2-PQ3230	T100		1
N70-603003-0	61-1-060303-0	Power heatsink 1	AL1050	S100		1
N70-603004-1	61-2-060304-1	Power heatsink2	AL1050,	S101		1
85-211001-0	75-0-000056	Parts Housing	PTB, TC-21	IC100		1
62-010302-2	65-0-000364	Nut	GB6170, M3,	IC100		1
61-063510-0	65-0-000191	Machine Screw	MF3" 10	IC100		1
61-023510-0	65-0-000101	Machine Screw	MB3" 10,	Q103		1
61-023508-0	65-0-000006	Machine Screw	MB3" 8	D103		1
78-013008-0	92-0-000041	Insulated Cushion	SQ9418	Q103		1
85-157001-0	75-0-000048	Transistor Washer	TW-4	Q103		1
85-157001-0	75-0-000048	Transistor Washer	TW-4	Q103		1
01-37809-01	01-1-037809	DCDC BOARD				
02-37809-01	02-1-037809	DCDC BOARD SMT				
02-37809-01	02-1-037809	DCDC BOARD SMT				
05-4-037809-1S	05-4-037809-1S	DCDC PCB	VM1.0,FR-4,1.6mm			1
03-16340-00	11-1-000942	Power MOSFET	CSD16340Q3	U101	10	1
03-03481-00	11-1-000908	DC/DC CONVERTER	LM3481MM/NOPB	U100		1
33-20540-02	12-1-000195	SCHOTTKY DIODE	B540C-13-F	D106		1
31-04423-01	13-1-000123	P-Channel MOSFET	AO4423L,SOIC-8	Q107	8	1
31-03904-05	13-1-000114	Transistor	MMBT3904LT1,SOT-23	Q105	3	1
or 31-03904-03	or 13-1-000113	Transistor	MMBT3904LT1,SOT-23	Q105	3	1
07-91371-00	21-1-000046	Chip Resistor	1.37K ,0603,1/10W,1%,RC0603FR-071K37L	R136		1
07-91000-00	21-1-000019	Chip Resistor	100 ,0603,1/10W,1%,RC0603FR-07100RL	R142		1
07-91009-00	21-1-000035	Chip Resistor	10 ,0603,1/10W,1%,RC0603FR-0710RL	R143, R144		2
07-91806-06	21-1-000721	Chip Resistor	0.018 ,2512,1W,1%,RL2512FK-070R018L	R145		1
07-91182-00	21-1-000572	Chip Resistor	11.8K ,0603,1/10W,1%,RC0603FR-0711K8L	R137	2	1
07-91003-00	21-1-000027	Chip resistor	100K ,0603,1/10W,1%,RC0603FR-07100KL	R139		1
07-91002-00	21-1-000024	Chip Resistor	10K ,0603,1/10W,1%,RC0603FR-0710KL	R140		1
07-92702-00	21-1-000073	Chip Resistor	27K ,0603,1/10W,1%,RC0603FR-0727KL	R138	2	1
07-96202-00	21-1-001243	Chip Resistor	62K ,0603,1/10W,1%,RC0603FR-0762KL	R141		1
07-91001-01	21-1-000023	Chip Resistor	1K ,0805,1/8W,1%,RC0805FR-071KL	R110, R133	2	2
07-91003-01	21-1-000028	Chip Resistor	100K ,0805,1/8W,1%,RC0805FR-07100KL	R106,R108	2	2
26-10451-10	23-1-000034	Ceramic Chip Capacitor	100nK,50V,0603,X7R	C122,C128		2
26-10451-11	23-1-000249	Chip capacitor	100nK,50V,0805,X7R,C2012X7R1H104KT	C130,C132		2
26-10112-00	23-1-000187	Ceramic Chip Capacitor	100pF,100V,0603,NPO CC0603JRNPO0BN101/C1608C0G2A101JT00	C123		1
26-10511-20	23-1-000035	Ceramic Chip Capacitor	1uK,16V,0603,X7R,C1608X7R1C105K	C126		1
26-22251-00	23-1-000368	Ceramic Chip Capacitor	2n2K,50V,0603,X7R	C131		1
26-10151-01	23-1-000016	Chip capacitor	0805, 100PF, 50V, NPO	C117	2	1
26-39151-00	23-1-000484	Ceramic Chip Capacitor	390PJ,50V,0603,NPO	C121		1
26-10521-01	23-1-000036	Ceramic Chip Capacitor	1uK,25V,0805,X7R	C129, C133		2
26-22621-03	23-1-000415	Ceramic Chip Capacitor	22uF,25V,10%,X5R,1210,GRM32ER61E226KE15L	C124, C125, C127, C134		4
08-04789-00	24-1-000241	Power Inductor	7.8uH, 10A, GPSR1365-7R8M	L105		1
08-04700-00	24-1-000204	Ferrite Bead SMD	742792510,70ohm@100MHz	L104		1
06-10131-03	23-2-000149	Alu Electrolytic Capacitor	CD286,100uF,35V,1 20%,105\$	C135		1

HS P/N	E10 P/N	Description	Part Type	Designator	Pin Qty	Qty
13-12009-01	42-2-000002	Connector	CNT-M200-1*9-GD-3.4/2.4/0	J103		1
N37-37801-00	38-0-000013	Disk	2T5 ST2000VX003			2
J36-00028-00	32-0-000004J	Driver	DV-W28SS-BM3			1
J23-08868-00	31-0-000013J	LCD Display	UMSH-8868MD-3T			1
76-267001-0	83-0-000248	Touch Panel film	PET T=0.07mm			1
17-01001-89	46-0-000378	RCA	WTN-6204G black			2
17-01001-90	46-0-000379	RCA	WTN-6204G white			1
17-01001-91	46-0-000380	RCA	WTN-6204G red			1
44-0-001475	44-0-001475	Cable	UL1185#24AWG black + red	NMB J7 to black RCA		1
44-0-001465	44-0-001465	Cable	UL1185#24AWG white	NMB J14, J17 to RED& white RCA		2
44-0-001480	44-0-001480	Cable	PH2.0 grey	NMB to FPP		1
44-0-001479	44-0-001479	Cable	PH2.0 grey	NMB to FPP		1
44-0-001472	44-0-001472	Cable	UL2468#26AWG*4P,	FPP to LED		1
44-0-001473	44-0-001473	Cable	UL2468#26AWG*4P	FPP to USB		1
44-0-001476	44-0-001476	Cable	UL2464#28AWG,	NMB to FPP		1
44-0-002847	44-0-002847	Cable	UL1007#26AWG*10C,	NMB to SMPS		1
44-0-002808	44-0-002808	Cable	UL2725(26/2C+A+28/2D)*2 OD:2.2*7.8	NMB to HDD		2
44-0-001478	44-0-001478	Cable	UL1007#18AWG	NMB toHDD		2
44-0-001477	44-0-001477	Cable	UL1007#22AWG&UL2725&26AWG	NMB to CD		1
14-19201-00	44-0-000241	Ground Wire	UL1015#18AWG			1
19-25010-00	24-2-000137	Ferrite Ring	T25*15*10C(A10)			1
A14-33201-01	44-0-0010255	1PIN CBALE	187(8)			1
A14-32201-04	44-0-0010135	Wire	UL1672#16AWG,	AC Inlet to Rocker Switch		1
44-0-0028445	44-0-0028445	Cable	UL1672#18AWG,	PSU J500 to Rocker Switch		1
19-25010-00	24-2-000137	Ferrite Ring	T25*15*10C(A10)			1
44-0-001471	44-0-001471	Cable	UL1007#24AWG,black,	69-355002-0		1
70-267007-1	61-2-026707-1	Main Top Cover	6063 T5 black			1
70-267008-0	61-2-026708-0	Second Top Cover	Al1050 T=3.0mm			1
67-267004-0	63-2-026704-0	SS Perf Sheet	SPCC, T=0.5mm,Black Painting			1
63-2-037801-1	63-2-037801-1	Bottom	SECC-N5 T=1.2mm,			1
63-3-037802-1CM	63-3-037802-1CM	Rear Panel	SECC-N5 T=1mm black			1
63-2-037803-1	63-2-037803-1	PCB Bracket	SECC-N5 T=1.2mm			2
63-1-037803-1	63-1-037803-1	PCB Bracket	SECC-N5 T=1.2mm			2
67-378004-0	63-2-037804-0	Drive Bracket	SECC-N5 T=1.5mm			1
63-1-037804-0	63-1-037804-0	Drive Bracket	SECC-N5 T=1.5mm			1
70-378005-1A	61-3-037804-1A	Front Fascia	AL 6063 T5, black			1
70-378004-1	61-2-037804-1	Rear Fascia	AL 6063 T5,			1
66-382001-0	63-1-038204-0	Fascia Connect Bracket R	SECC-N5 T=1.2mm			1
66-382002-0	63-1-038205-0	Fascia Connect Bracket L	SECC-N5 T=1.2mm			1
70-382001-0	61-2-038201-0	Left Side Panel	AL 6063 T5,			1
70-382002-1	61-2-038202-1	Right Side Panel	AL 6063 T5,			1
67-267005-0	63-2-026705-0	Vent sheet	Stainless Steel, T=0.5mm,Black Painting			2
67-212004-0	63-2-021204-0	HDD Left Bracket	SECC-N5 T=1.6mm, black			2
65-212004-0	63-1-021204-0	HDD Left Bracket	SECC-N5 T=1.6mm			2
67-212005-0	63-2-021205-0	HDD Right Bracket	SECC-N5 T=1.6mm, black			2
65-212005-0	63-1-021205-0	HDD Right Bracket	SECC-N5 T=1.6mm			2
J71-267002-0	61-2-026702-0J	Masters II Feet				4
71-267003-0	04-0-026705	Feet Shoe Assy				4
J71-267903-0	61-2-026703-0J	Masters II Feet Shoe				4
78-267001-0	91-0-000359	Feet PAD	Poron MX-48HF BLACK,			4

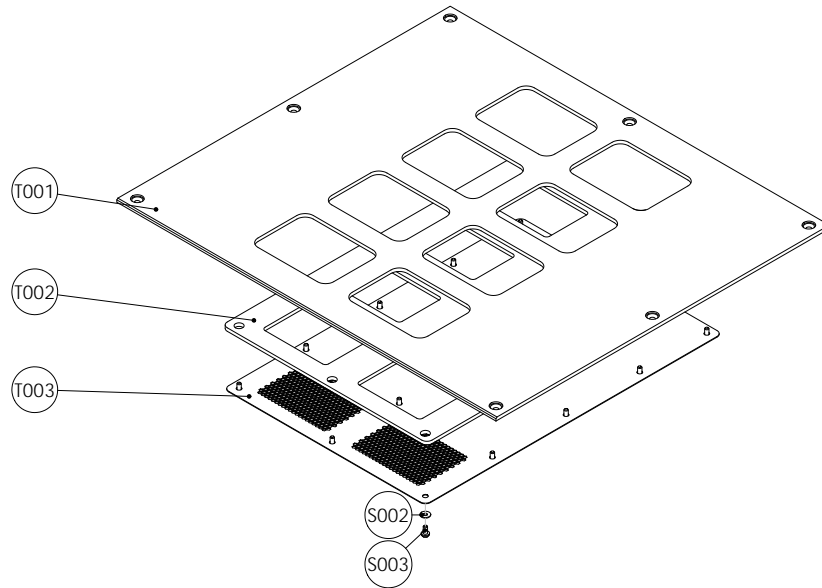
HS P/N	E10 P/N	Description	Part Type	Designator	Pin Qty	Qty
67-355011-0	63-2-035511-0	Logo Clamp	SECC N5 T=1mm,Painting Black			1
65-355011-0	63-1-035511-0	Logo Clamp	SECC N5 T=1mm			1
67-355012-0	63-2-035512-0	Logo Clamp Mirror	SECC N5 T=1mm,Painting Black			1
65-355012-0	63-1-035512-0	Logo Clamp Mirror	SECC N5 T=1mm			1
69-355002-0	62-1-035502-0	Touch Key Copper plate	T2Y2 T=0.2mm			1
J71-355001-0A	61-3-035501-0A	NAD Logo				1
96-355001-0A	74-0-035501-0A	Touch Key Cap				1
B75-267001-0	71-1-026701-0Y	LCD Bracket	ABS,black			1
79-355001-0	91-0-000180	Expanded Rubber	IEPE Foam,Black,318mmx12mmx0.5mm,			3
85-212001-0	75-0-000199	Anti-Vibrate Grommet	TGM-10(BU)			12
85-210001-0	75-0-000055	PCB Spacer	SS1-3L	SATA Connector		2
79-210002-0	91-0-000491	DVD-Rom Bottom Cushion	CR,T=2mm,			1
85-210002-0	75-0-000198	Anti-Vibrate Grommet	TGM-17			4
J61-234510-1	65-0-000483J	Machine Screws	M4X10,			7
61-224510-1	65-0-000245	Hex Screws	GB/T70.1, HM4"10,			8
61-023206-0	65-0-000069	Self Tapping Screw	BTB3"6,			12
61-033208-0	65-0-000148	Self Tapping Screw	BTP3"8			4
61-022205-6	65-0-000031	Self Tapping Screw	BTB2.6"5,			12
61-023208-0	65-0-000003	Self Taping Screw	BTB3X8,			5
61-024506-0	65-0-000130	Machine Screw	MB4"6,			22
61-024106-0	65-0-000120	Self Tapping Screw	STB4"6,			4
61-023106-0	65-0-000002	Self Taping Screw	STB3X6,			4
61-023506-0	65-0-000004	Machine Screw	MB3"6,			20
61-023508-0	65-0-000006	Machine Screw	MB3"8,			6
61-373506-0	65-0-000344	Machine Screws	M3x6,			8
63-010309-5	65-0-000401	Plain Washer	# 3"# 9.5mm			15
61-094510-0	65-0-000544	Screw	TGM-10SW			12
61-092506-0	65-0-000543	Screw	TGM-17SW			4
63-110305-0	75-0-000162	Washer	§ 3"§ 7"0.5			4
61-022510-0	65-0-000532	Machine Screw	MB2x10,			2
84-005001-0	75-0-000003	Nilon Cable Tie	YJ-100			3
86-355001-0	94-0-000077	Adhesive tape	3M 9448,T=0.1mm			1
79-382002-0	91-0-000212	LED Board Foam	EVA, 56x50mm, T=1mm,			1
88-603001-0A	81-0-060301-0A	Shipping Box				1
88-378001-0A	81-0-037801-0A	Carton Box				1
81-0-037802-0	81-0-037802-0	accessory card				2
88-382002-1	81-0-038202-1	Paper Corner				4
89-355901-0	04-0-035510	Cushions Assy				2
81-0-035505-2A	81-0-035505-2A	Paper Formed Box				2*1
81-0-035506-1	81-0-035506-1	Cushion First Layers				2*2
81-0-035507-1	81-0-035507-1	Cushion Second Layers				2*2
88-355008-0	81-0-035508-0	Cushion Third Layers				2*1
88-355009-0	81-0-035509-0	Cushion Forth Layers				2*3
88-355010-0	81-0-035510-0	Cushion Last Layers				2*5
82-0-035501-1	82-0-035501-1	Main Pulp				2*1
89-355003-0	82-0-035503-0	Accessory Pulp				1
89-355004-0	82-0-035504-0	Shoe Cover Pulp				1
90-355002-1	83-0-000147	woven bag				1
88-355003-0A	81-0-035503-0A	Accessories Gift Box				2
88-355004-0A	81-0-035504-0A	Cleaning Cloth bag				1

HS P/N	E10 P/N	Description	Part Type	Designator	Pin Q'ty	Qty
90-066003-0	83-0-000284	polybag				1
90-355001-0	83-0-000146	Cleaning Cloth				1
03-0-000468	03-0-000468	USB Manual				1
37-00200-01	38-0-000010	USB Disk				1
84-0-037802-1	84-0-037802-1	Quick Setup Guide				1
30-05000-00	96-0-000003	Desiccant				2
85-1-037801-0	85-1-037801-0	Barcode Label				2
85-1-037803-0	85-1-037803-0	Master Carton Label				2
30-52701-00	84-0-026701-0	Guarantee Card				1
85-2-037805-0	85-2-037805-0	Serial No. Label				4
85-3-000063	85-3-000063	Copperplate Label				4
85-1-037809-0	85-1-037809-0	Serial No. Label				2
85-1-037510-0	85-1-037510-0	Accessory Box Label				1
90-442003-0A	83-0-000202	Polybag	LDPE,270*185mm(678 1852) T=0.05mm,9: +, <			1
86-000148-0	85-3-000044	Copperplate Label	20"8mm			2
85-2-037808-0	85-2-037808-0	Ethernet MAC ID label	30"7mm			2
A11-01201-03	25-2-000148S	Rocker Switch	1552.3112			1
A17-07103-12	46-0-000286S	AC Inlet	RF-2004			1
A20-12202-00	27-2-000026S	FUSE	0618002MXP, T2AL/250V	AC Inlet		1
29-44600-00	45-2-000069	RF Cable Assembly	C6048-510029PA, L=175mm			1
65-0-000816	65-0-000816	Nut	H8.0mm*5.8mm			2
65-0-000817	65-0-000817	washer				2
30-34702-00	45-2-000098	antenna	K245-510002-A			2
29-37303-00	45-2-000112	Ethernet Cable	CAT5E UTP CCA 1.5M, black			1
79-382001-0	92-0-000189	Gasket	14"9"8mm			2
A15-10125-12	45-1-000041S	AC Cord	DTII-3P-11+SVT 18AWG/3C 105C+DTII-3P-04 L=1800mm Black			1
or A15-26121-10	or 45-1-000070S	AC Cord	3UTJ2/3GTJA			1
A15-16250-11	45-1-000066S	AC Cord	DTIII-2P+05+H05VV-F 3G1.0+DTII-3P-04 L=1830mm Black			1
or A15-16250-03	or 45-1-000107S	AC Cord	LP34&LS-60 H05VV-F 0.75mm2 3C Black L=1800mm			1

M50.2 EXPLODED VIEW



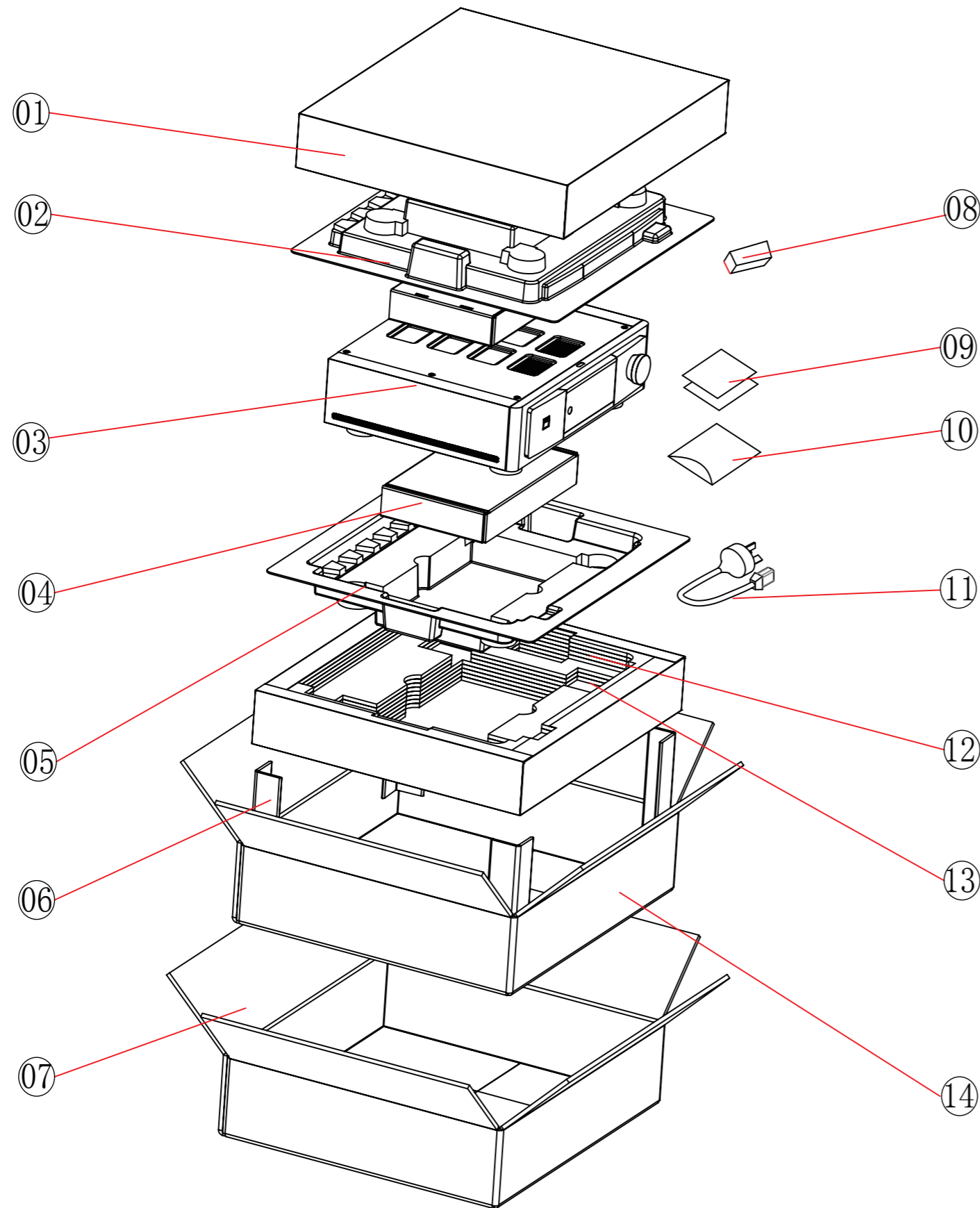
Top Cover Assembly 02-3-026709



M50.2 EXPLODED VIEW PARTS LIST

REF.NO.	PART NO.	DESCRIPTION	Qty.	REF.NO.	PART NO.	DESCRIPTION	Qty.
C001	63-2-037801-1	Bottom	1	T001	61-2-026707-1	Main Top Cover	1
C002	61-2-026702-0J	Masters II Feet	4	T002	61-2-026708-0	Second Top Cover	1
C003	04-0-026705	Feet Shoe Assy	4	T003	63-2-026704-0	Perf Sheet	1
C004	01-1-037808	PSU BOARD	1				
C005	63-1-038205-0	Fascia Connect Bracket L	1				
C006	63-2-026705-0	Vent Sheet	2				
C007	61-2-038201-0	Left Side Panel	1				
C008	63-2-037803-1	PCB Bracket	2				
C009	63-2-021204-0	HDD Left Bracket	2	S001	65-0-000483J	Machine Screw (M4X10)	7
C010	01-1-037801	NMB Board	1	S002	65-0-000401	Plain Washer(Φ3xΦ9.5x0.8)	15
C011	63-2-021205-0	HDD Right Bracket	2	S003	65-0-000004	Machine Screw (MB3X6)	20
C012	38-0-000013	Disk	2	S004	65-0-000069	Self Taping Screw (BTB3X6)	12
C013	63-1-038204-0	Fascia Connect Bracket R	1	S005	65-0-000006	Machine Screw (MB3X8)	6
C014	61-2-038202-1	Right Side Panel	1	S006	65-0-000245	Hex Head Screw (M4X10)	8
C015	75-0-000199	Anti-Vibrate Grommet	12	S007	65-0-000148	Self Taping Screw (BTP3x8)	4
C016	65-0-000544	TGM-10SW	12	S008	65-0-000031	Self Taping Screw (BTB2.6x5)	12
				S009	65-0-000344	Machine Screw(M3x6)	8
				S010	65-0-000120	Self Taping Screw (STB4X6)	4
F001	61-2-037804-1	Rear Fascia	1	S011	65-0-000130	Machine Screw(M4x6)	22
F002	01-1-037806	FPP Board	1	S012	65-0-000002	Self Taping Screw (STB3X6)	4
F003	71-1-026701-0Y	LCD Bracket	1	S013	65-0-000003	Self Taping Screw (BTB3X8)	5
F004	61-3-037804-1A	Front Fascia	1				
F005	31-0-000013J	LCD Display	1				
F006	61-3-035501-0AJ	NAD Logo	1				
F007	63-2-035511-0	Logo Clamp	1				
F008	63-2-035512-0	Logo Clamp Mirror	1				
F009	01-1-037802	LED Board	1				
F010	74-0-035501-0A	Touch Key Cap	1				
F011	01-1-037803	Front USB Board	1				
F012	63-2-037804-0	Drive Bracket	1				
F013	32-0-000004J	Driver	1				
F014	91-0-000491	DVD-Rom Bottom Cushion	1				
F015	75-0-000198	Anti-Vibrate Grommet	4				
F016	65-0-000543	TGM-17SW	4				
R001	63-3-037802-1C	Rear Panel	1				
R002	25-2-000148S	Rocker Switch	1				
R003	46-0-000286S	AC Inlet	1				
R004	45-2-000098	antenna	2				
R005	46-0-000378	RCA(Black)	2				
R006	45-2-000069	RF Cable Assembly	1				
R007	46-0-000379	RCA(White)	1				
R008	46-0-000380	RCA(Red)	1				

M50.2 PACKING EXPLODED AND PARTS LIST



①	81-0-035505-2A	Paper Formed Box	2
②	82-0-035504-0	Shoe Cover Pulp	1
③	00-0378-00	M50.2	1
④	81-0-035106-0A	accessory box	1
⑤	82-0-035503-0	Accessory Pulp	2
⑥	81-0-038202-1	Paper Corner	4
⑦	81-0-060301-0A	Shipping box	1
⑧	38-0-000010	USB Disk	1
⑨	84-0-060304-0	QSG	1
⑩	83-0-000202	Polybag	2
⑪	45-1-000066S	AC Cord	2
⑫	81-0-035506-1	Cushion First Layers	4
⑬	81-0-035507-1	Cushion Second Layers	2
⑭	81-0-060302-0A	Carton Box	1

SERVICE MANUAL

M50.2

Digital Music Player

NAD ELECTRONICS INTERNATIONAL
TORONTO