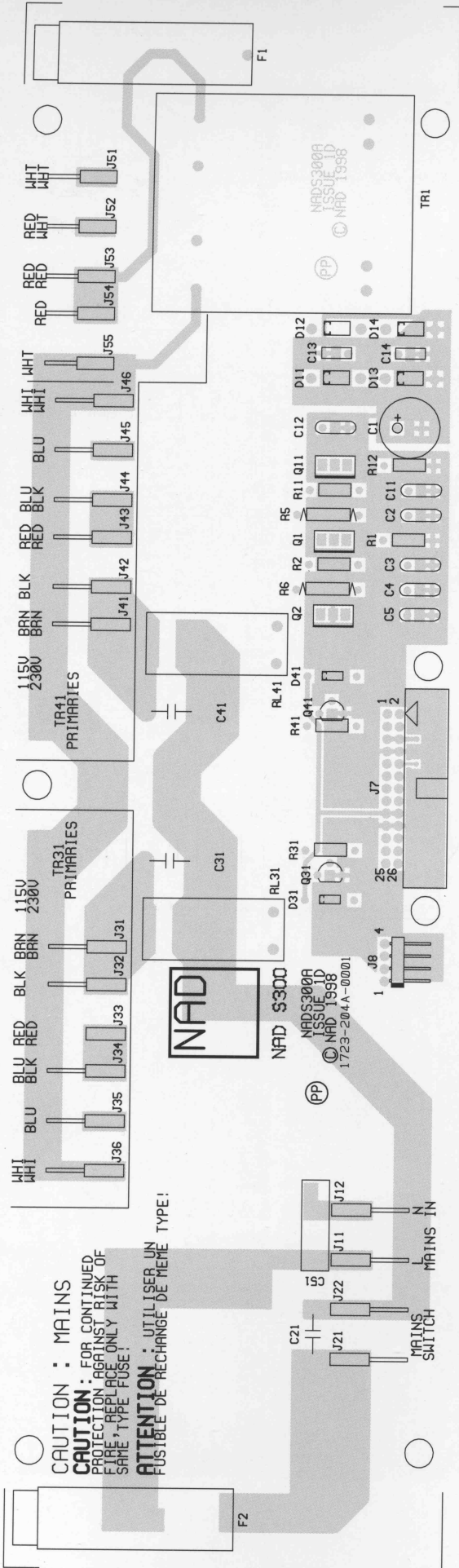
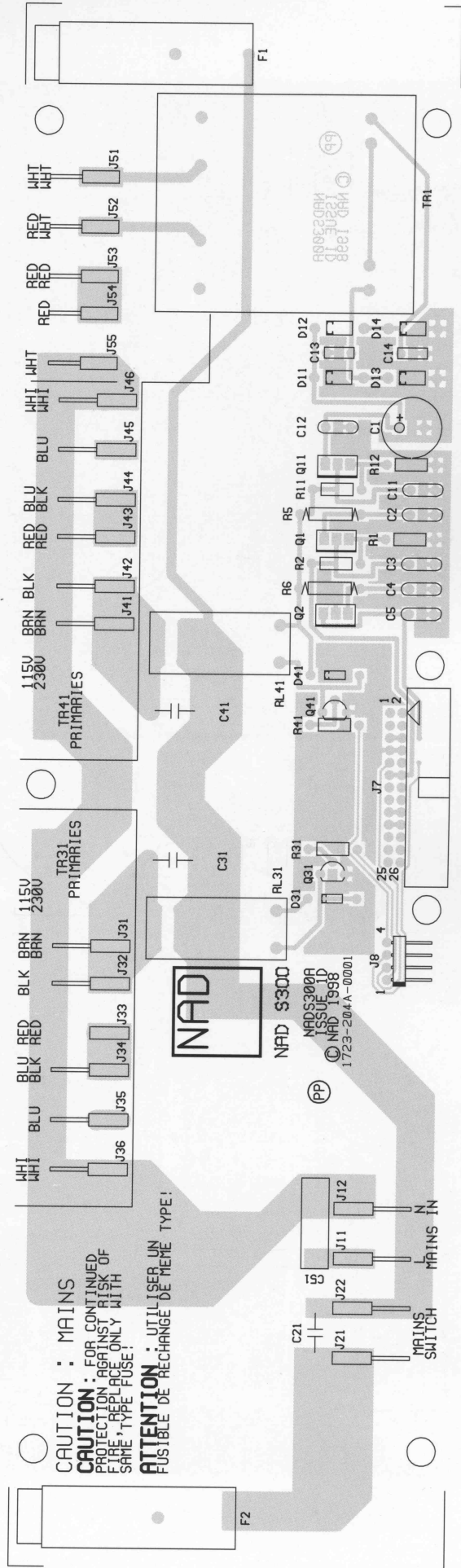


PCB LAYOUT

PSU BOARD - COMPONENT SIDE

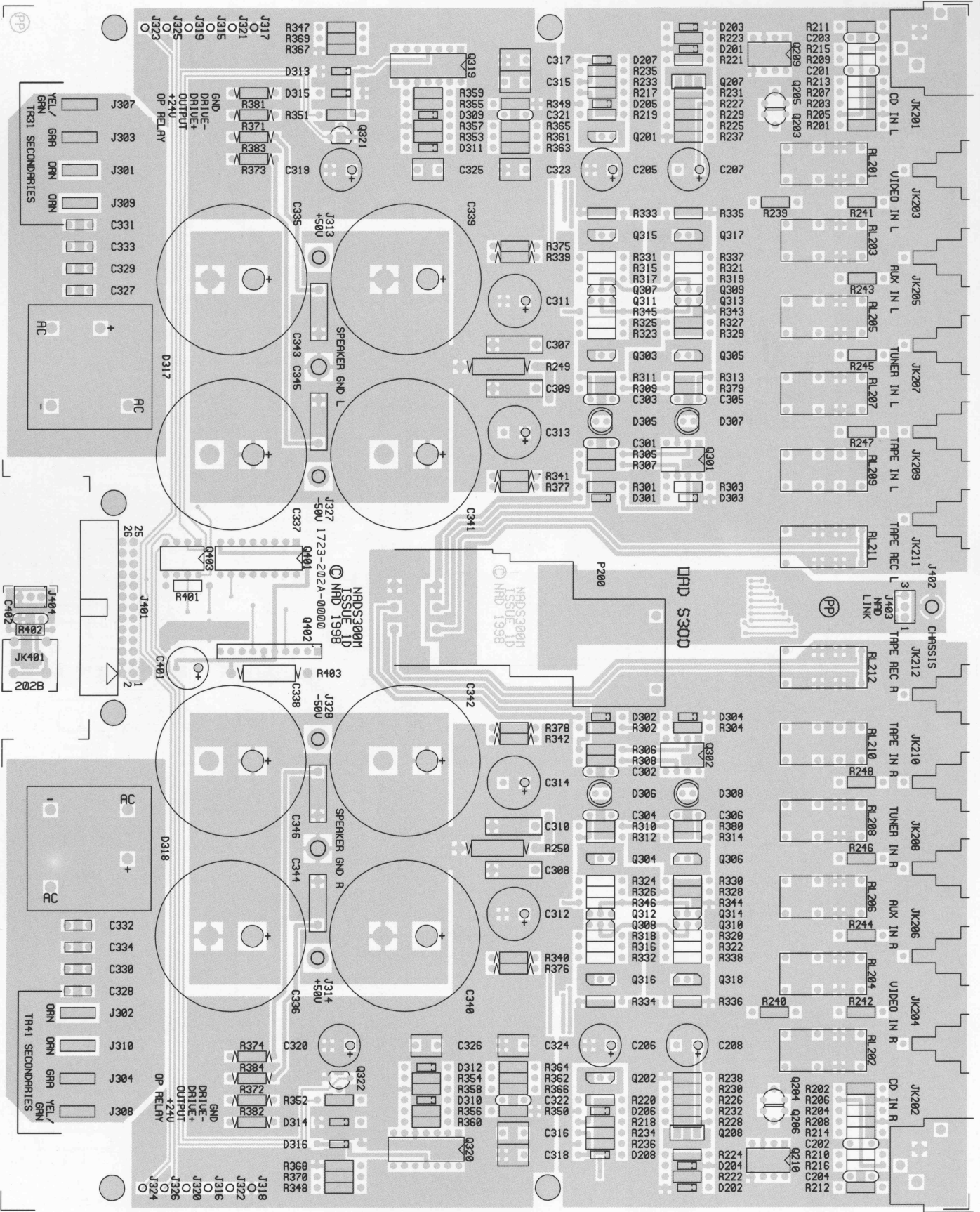


PSU BOARD - SOLDER SIDE



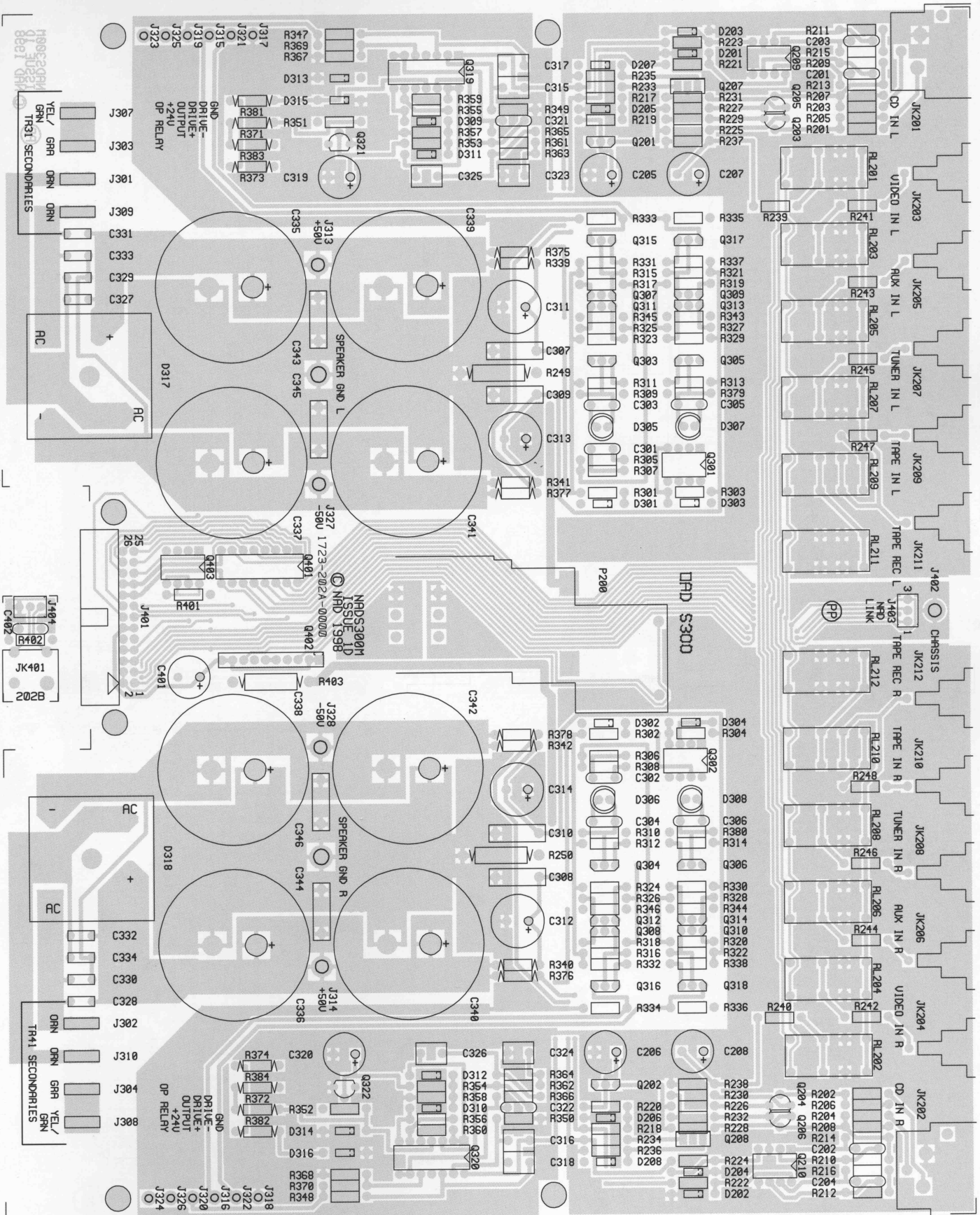
PCB LAYOUT

MAIN BOARD - COMPONENT SIDE



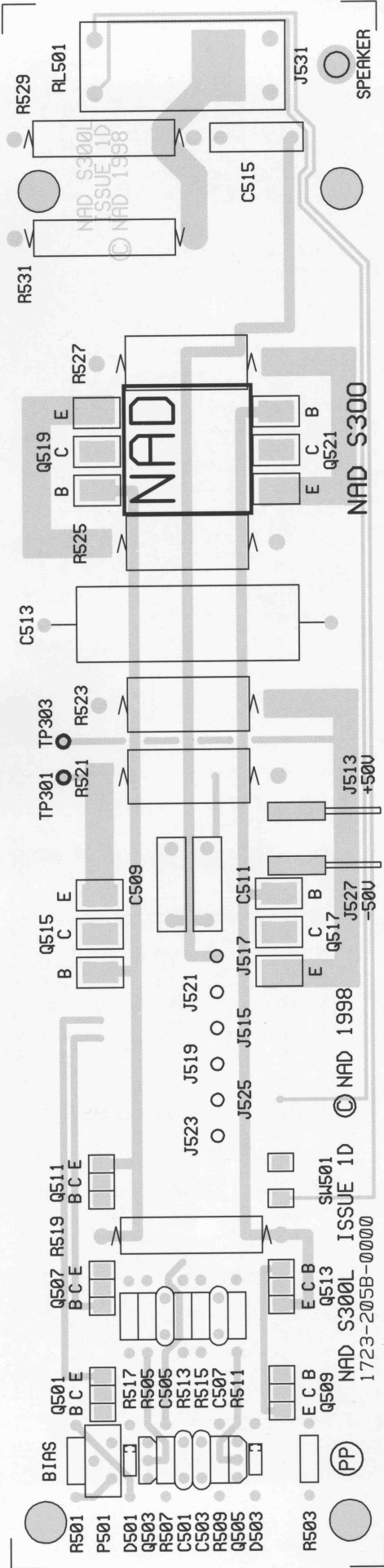
PCB LAYOUT

MAIN BOARD - SOLDER SIDE

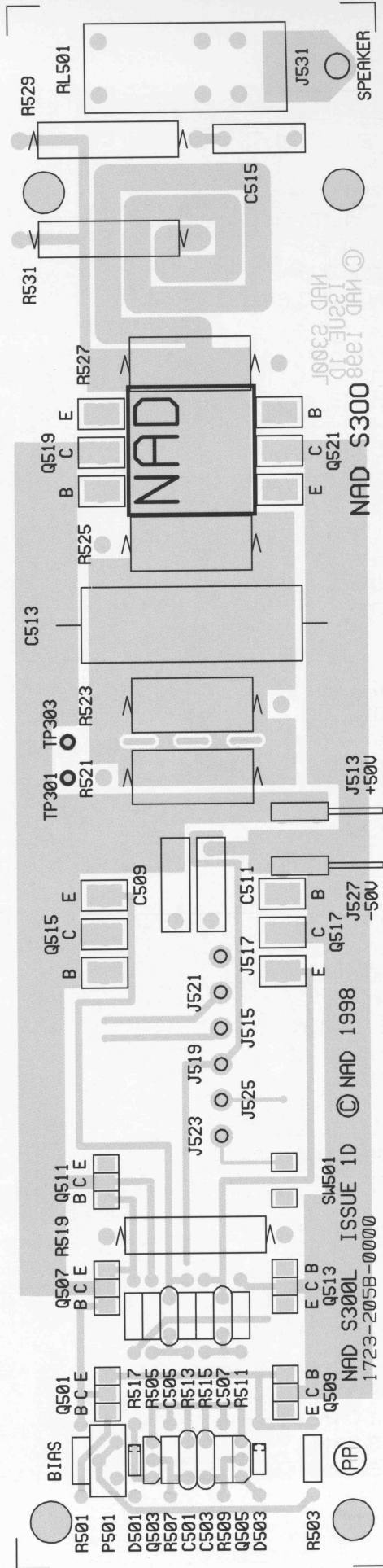


PCB LAYOUT

LEFT AMP BOARD - COMPONENT SIDE

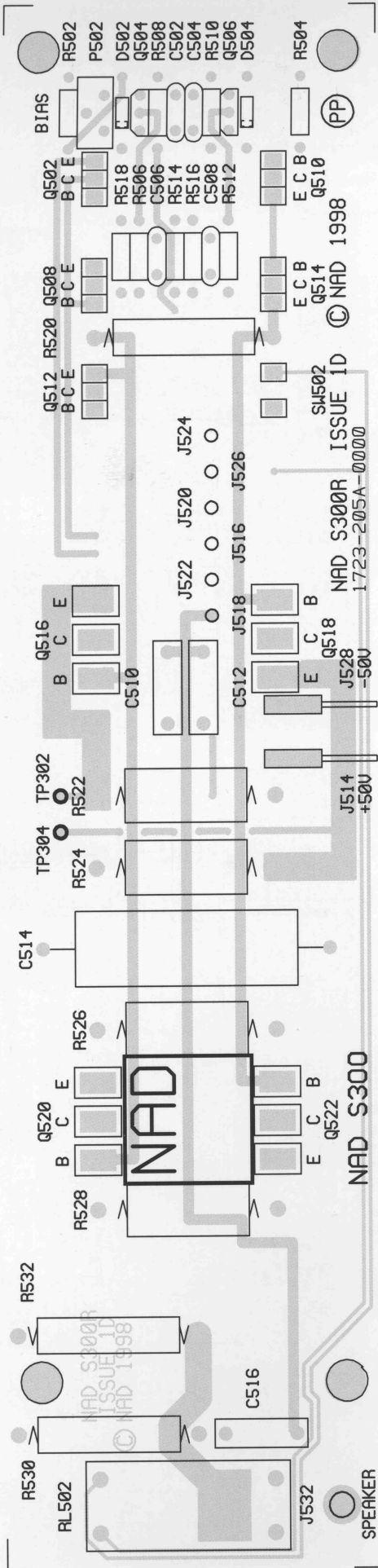


LEFT AMP BOARD - SOLDER SIDE

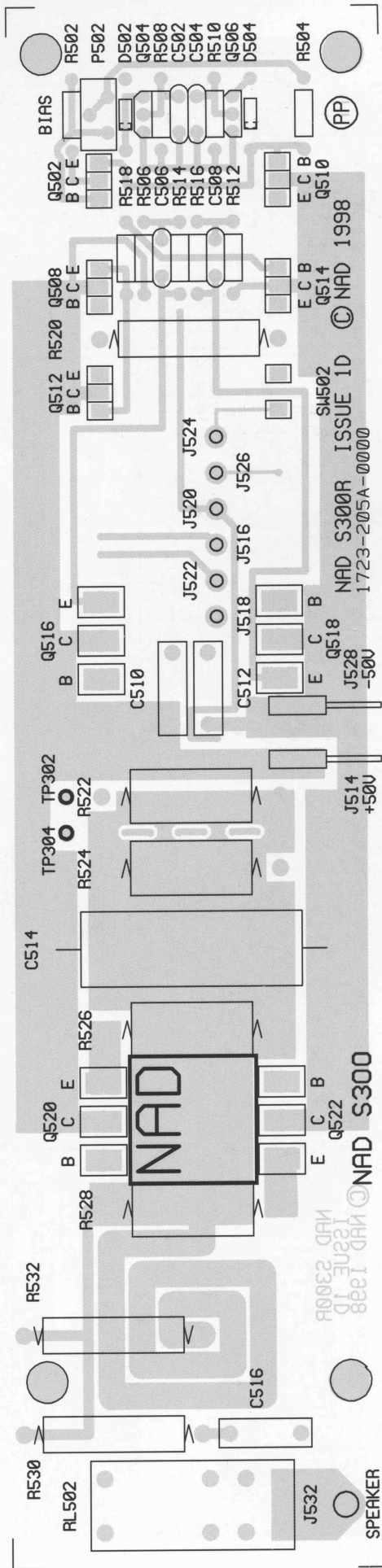


PCB LAYOUT

RIGHT AMP BOARD - COMPONENT SIDE

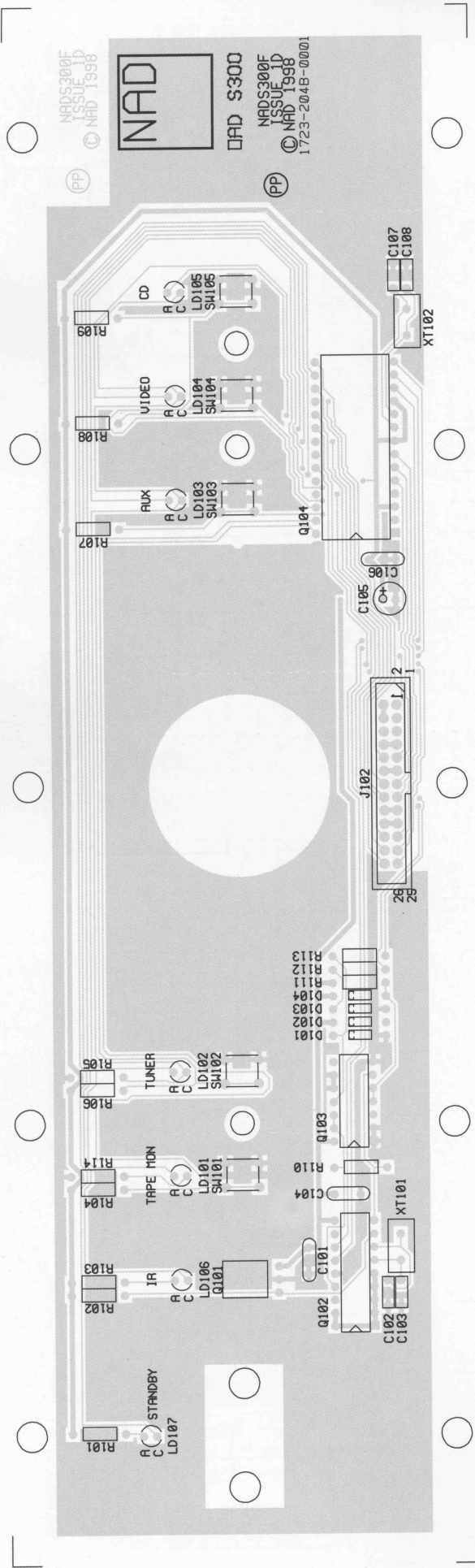


RIGHT AMP BOARD - SOLDER SIDE

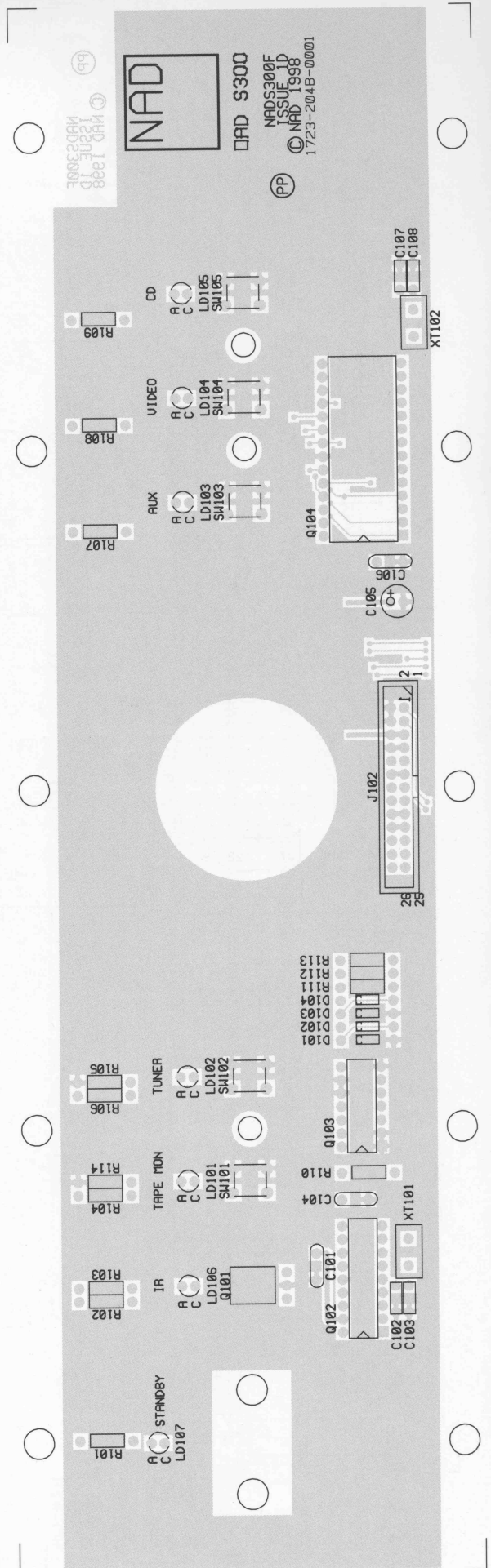


PCB LAYOUT

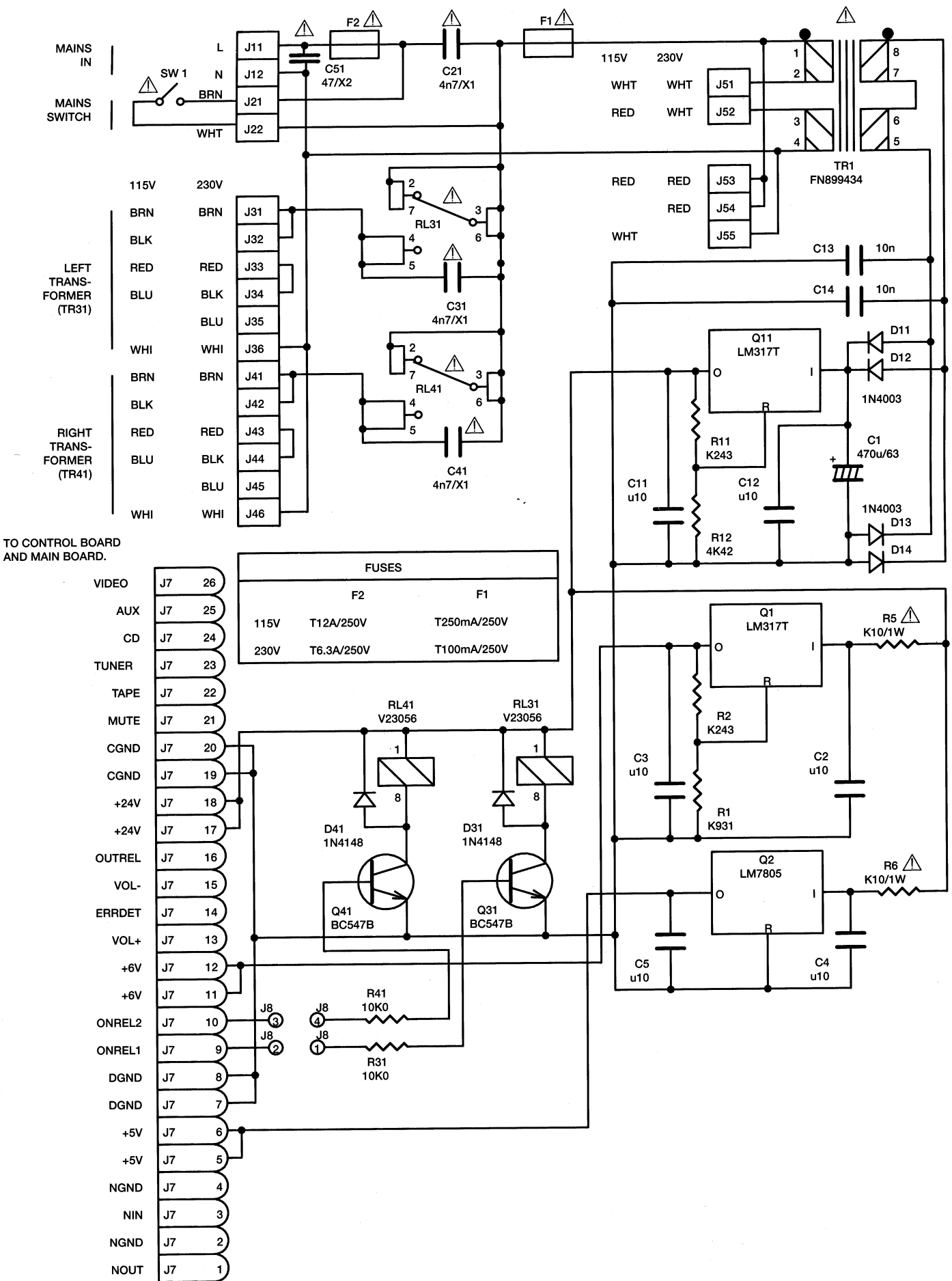
FRONT PANEL - COMPONENT SIDE



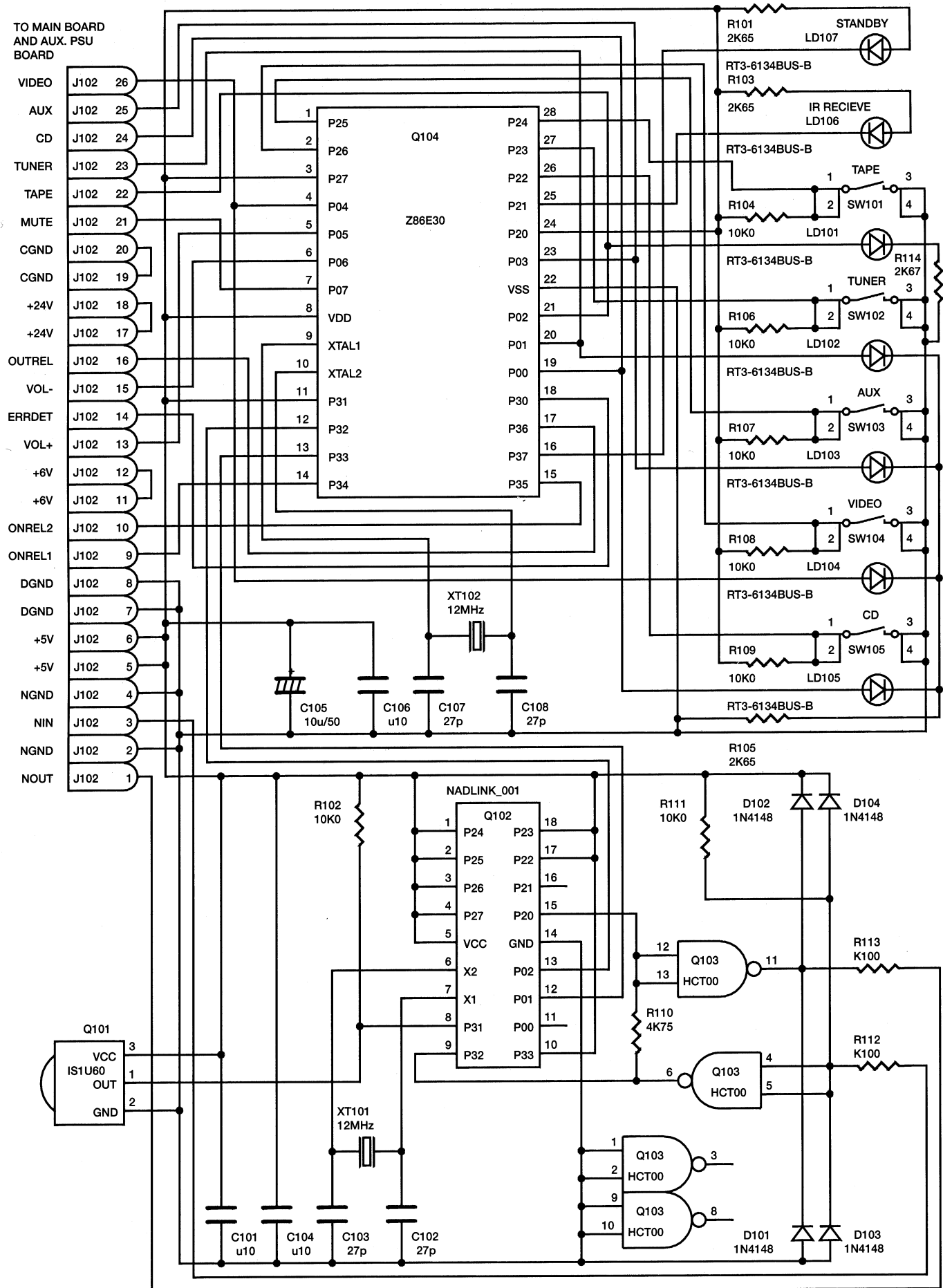
FRONT PANEL - SOLDER SIDE



SCHEMATIC DIAGRAM PSU BOARD

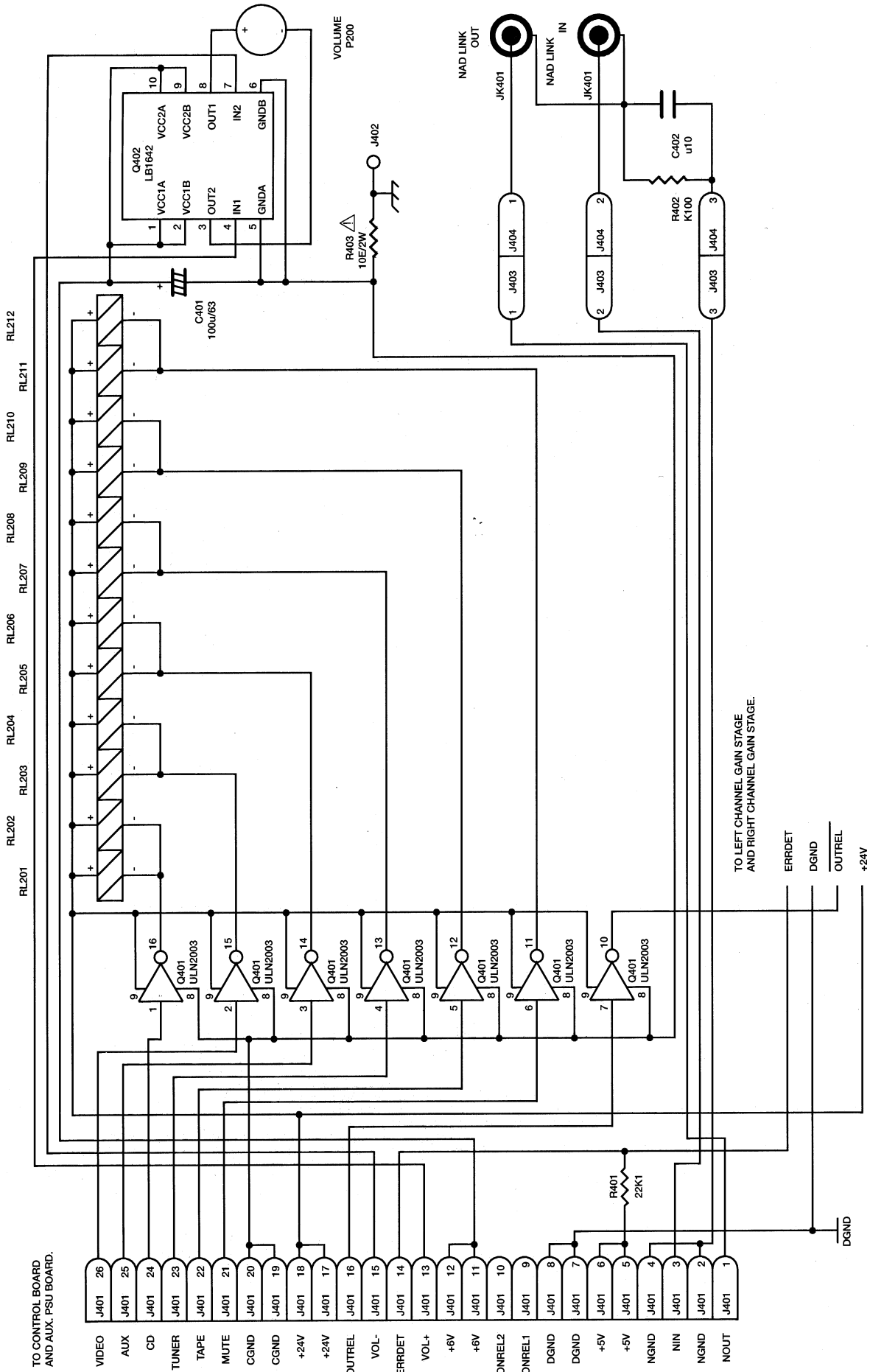


SCHEMATIC DIAGRAM FRONT PANEL BOARD



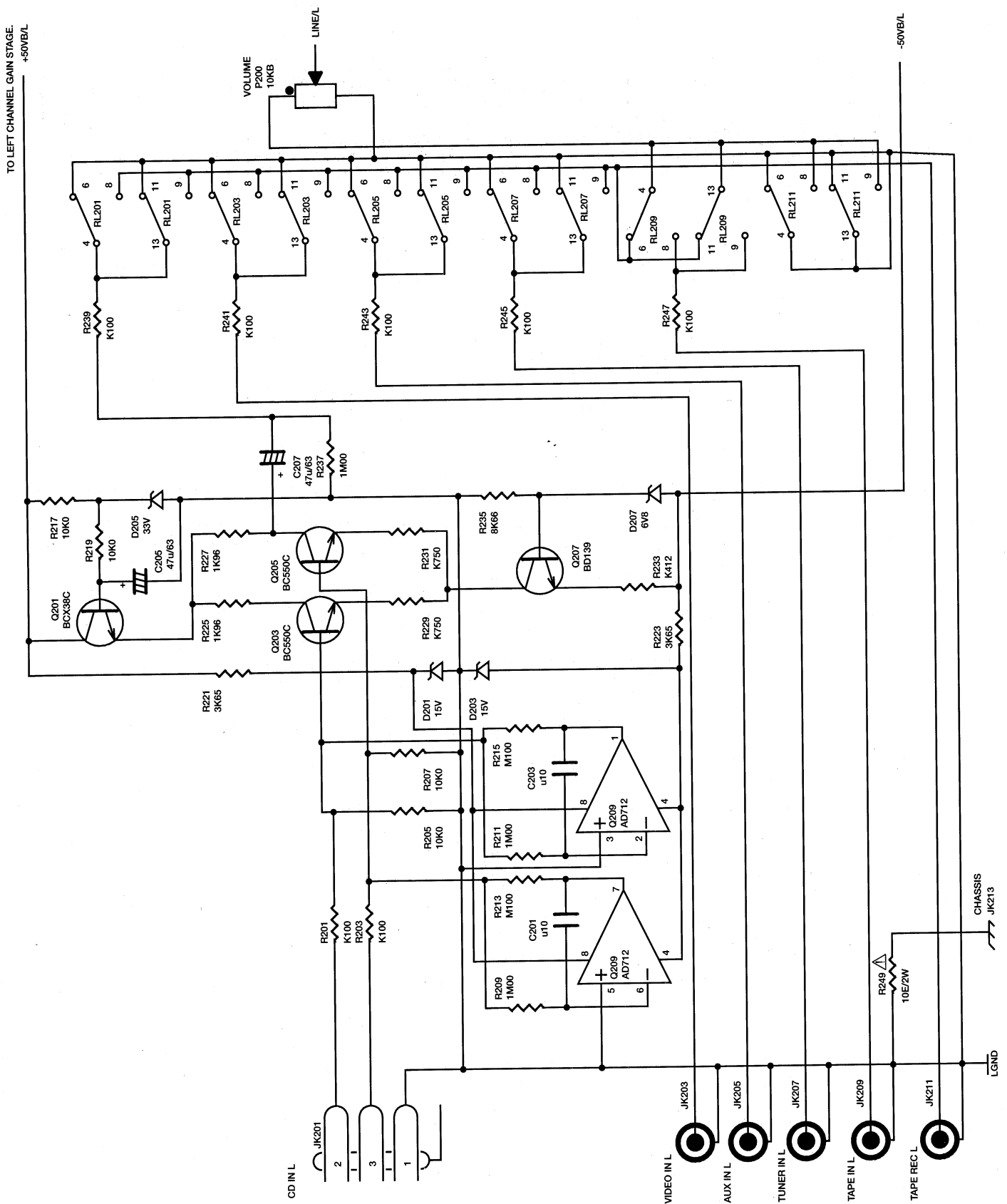
SCHEMATIC DIAGRAM

CONTROL INTERFACE

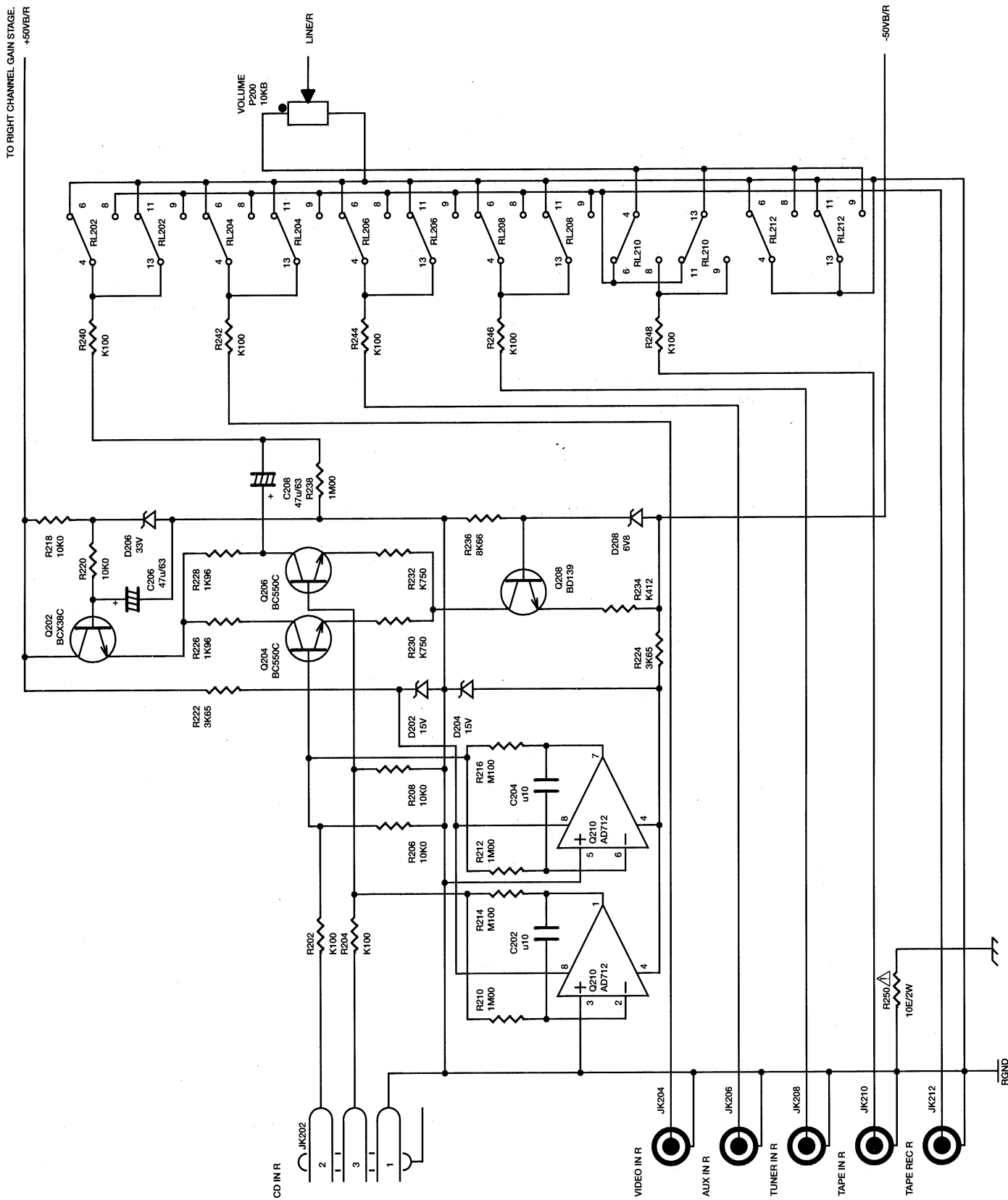


SCHEMATIC DIAGRAM

LEFT INPUT SELECTOR

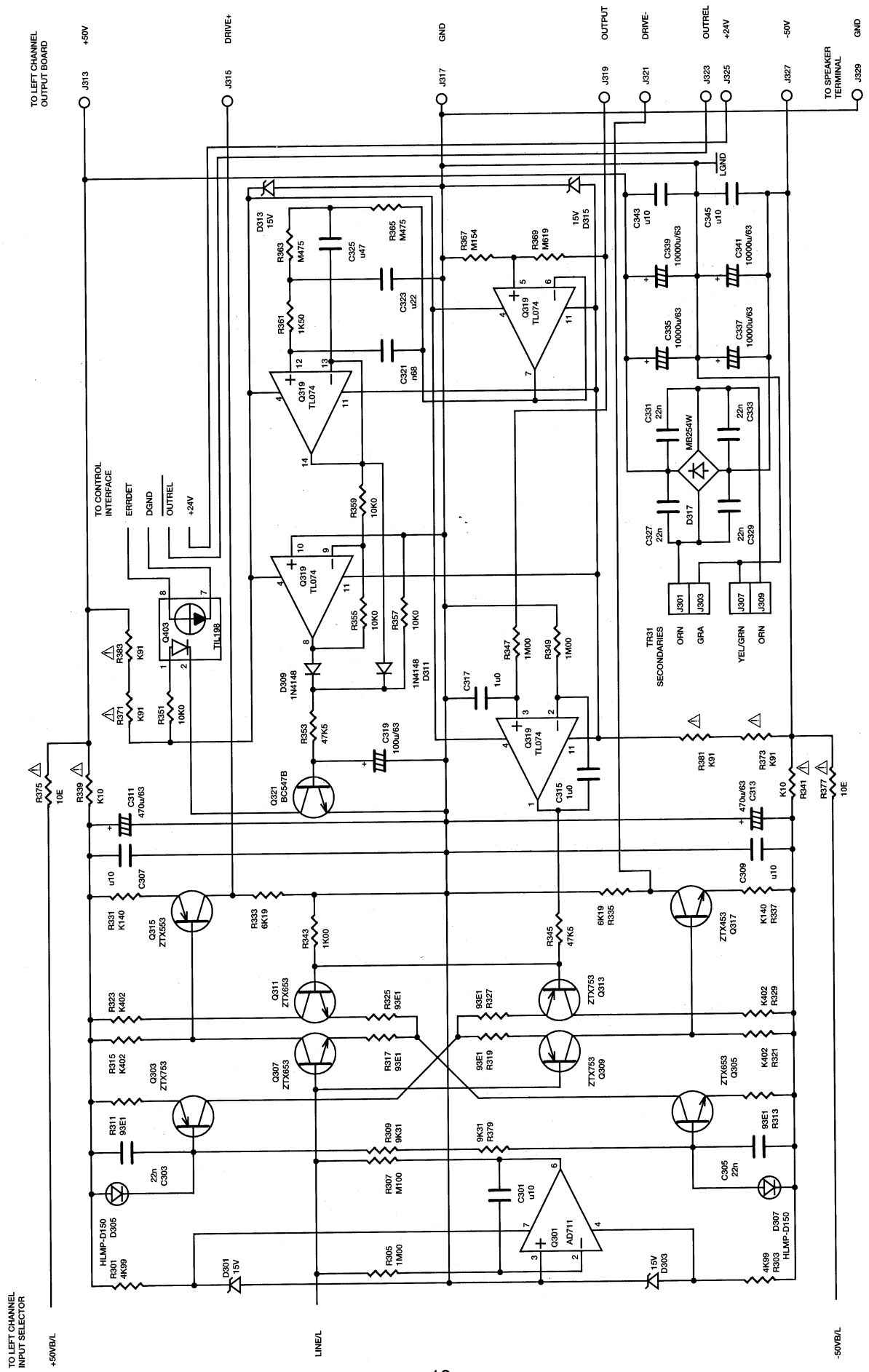


RIGHT INPUT SELECTOR



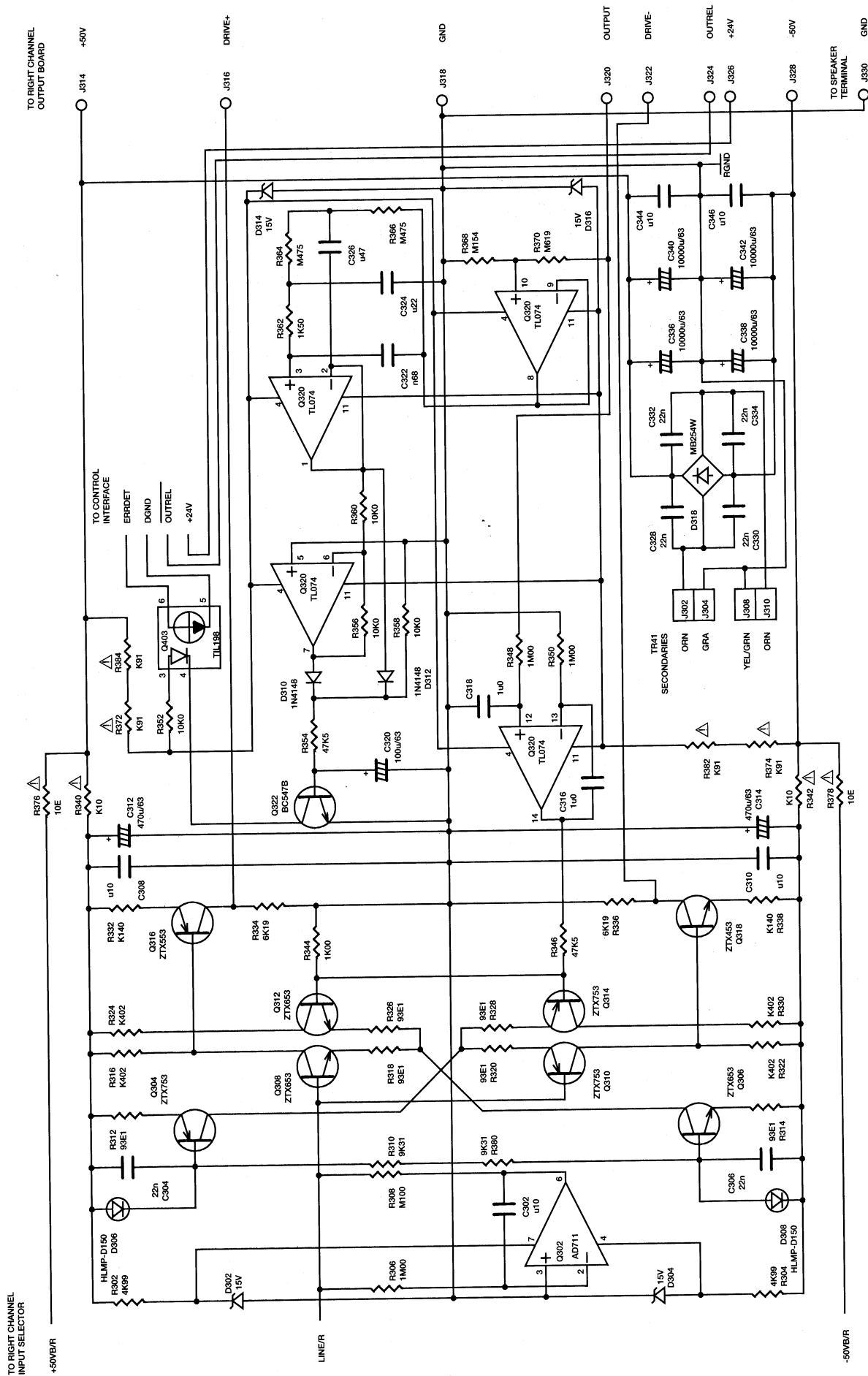
SCHEMATIC DIAGRAM

LEFT GAIN STAGE

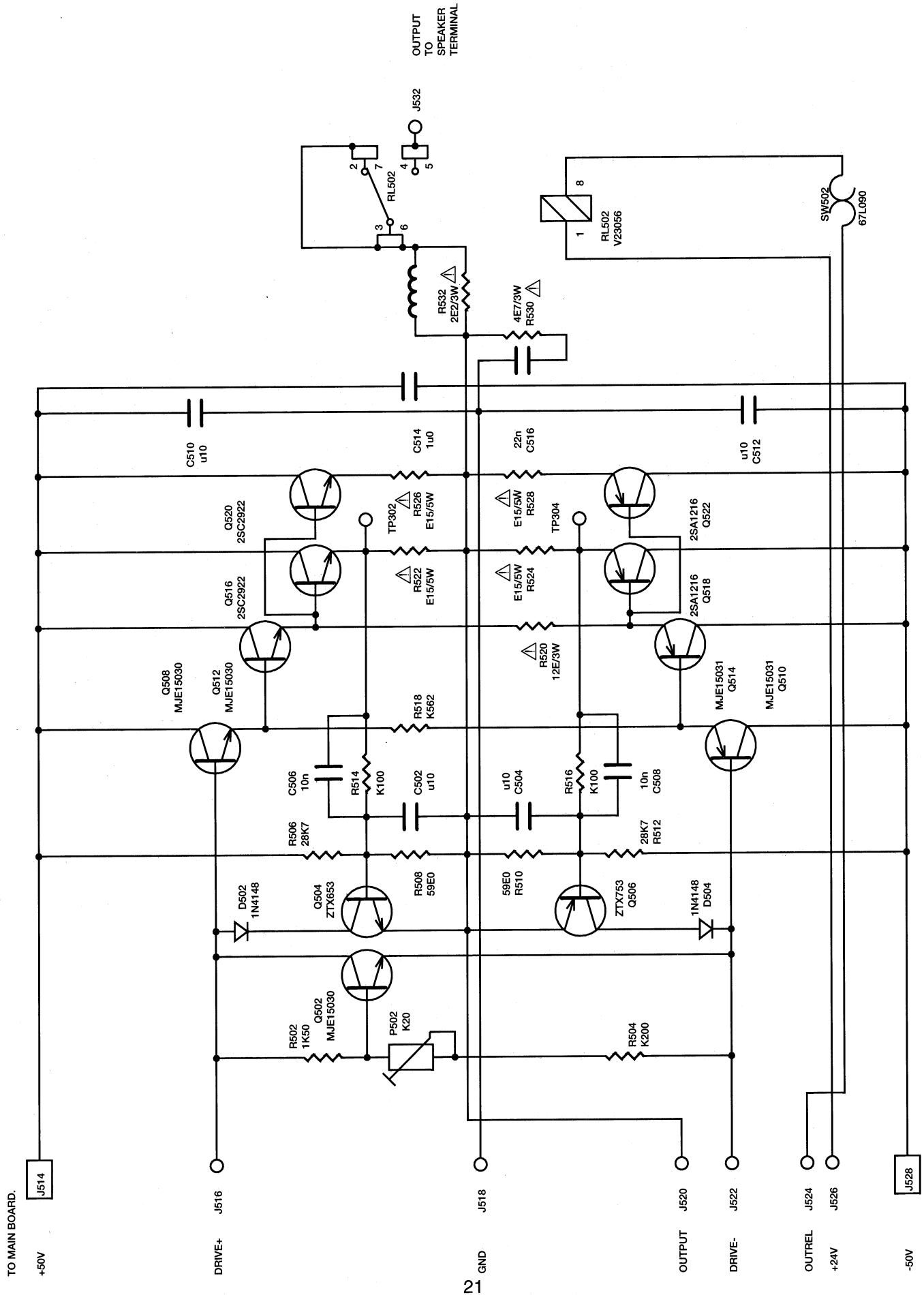


SCHEMATIC DIAGRAM

RIGHT GAIN STAGE



SCHEMATIC DIAGRAM RIGHT AMP



OUTPUT
TO
SPEAKER
TERMINAL

ADJUST P502 FOR 75mV BETWEEN TP302 AND TP304.