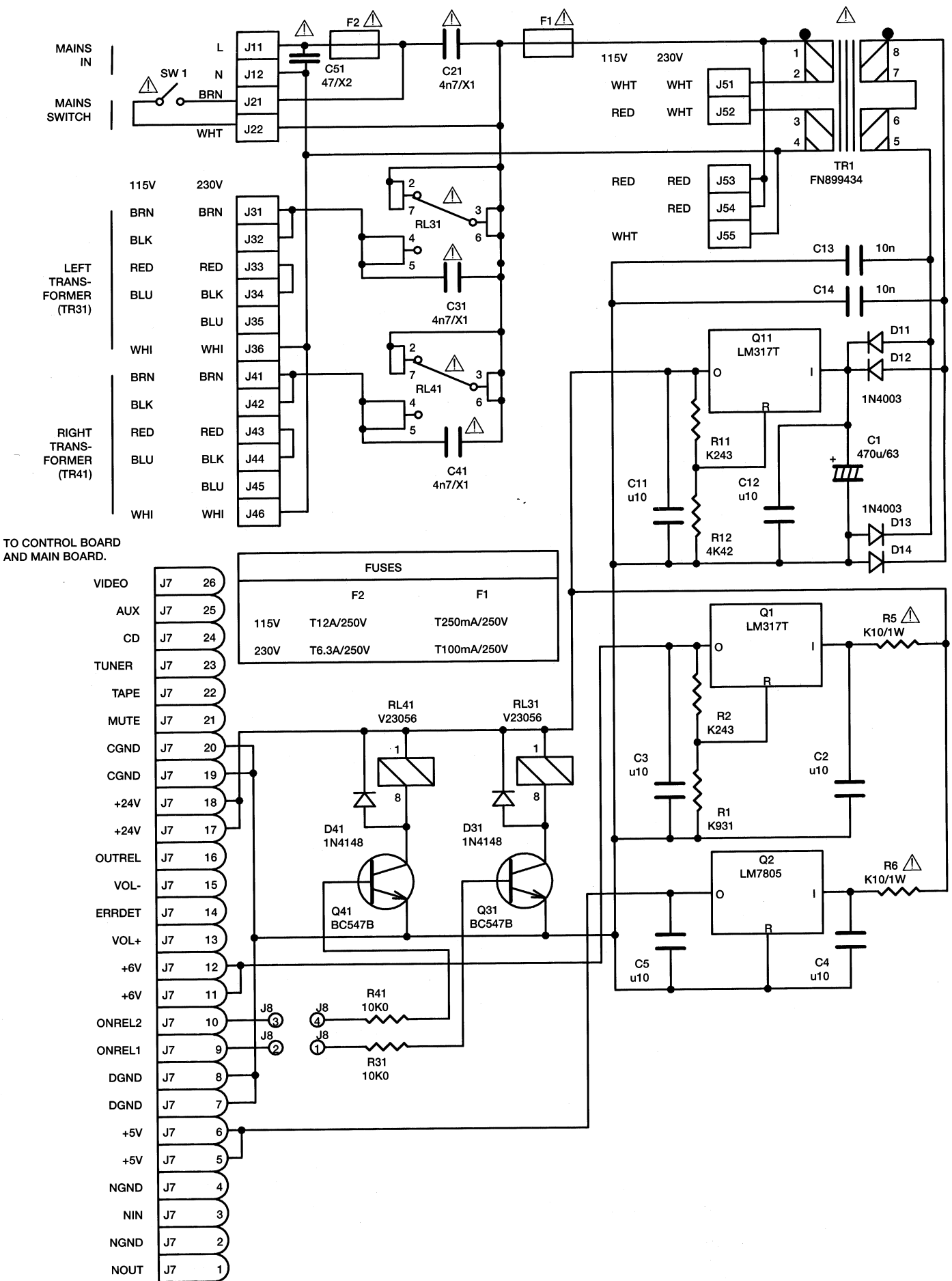
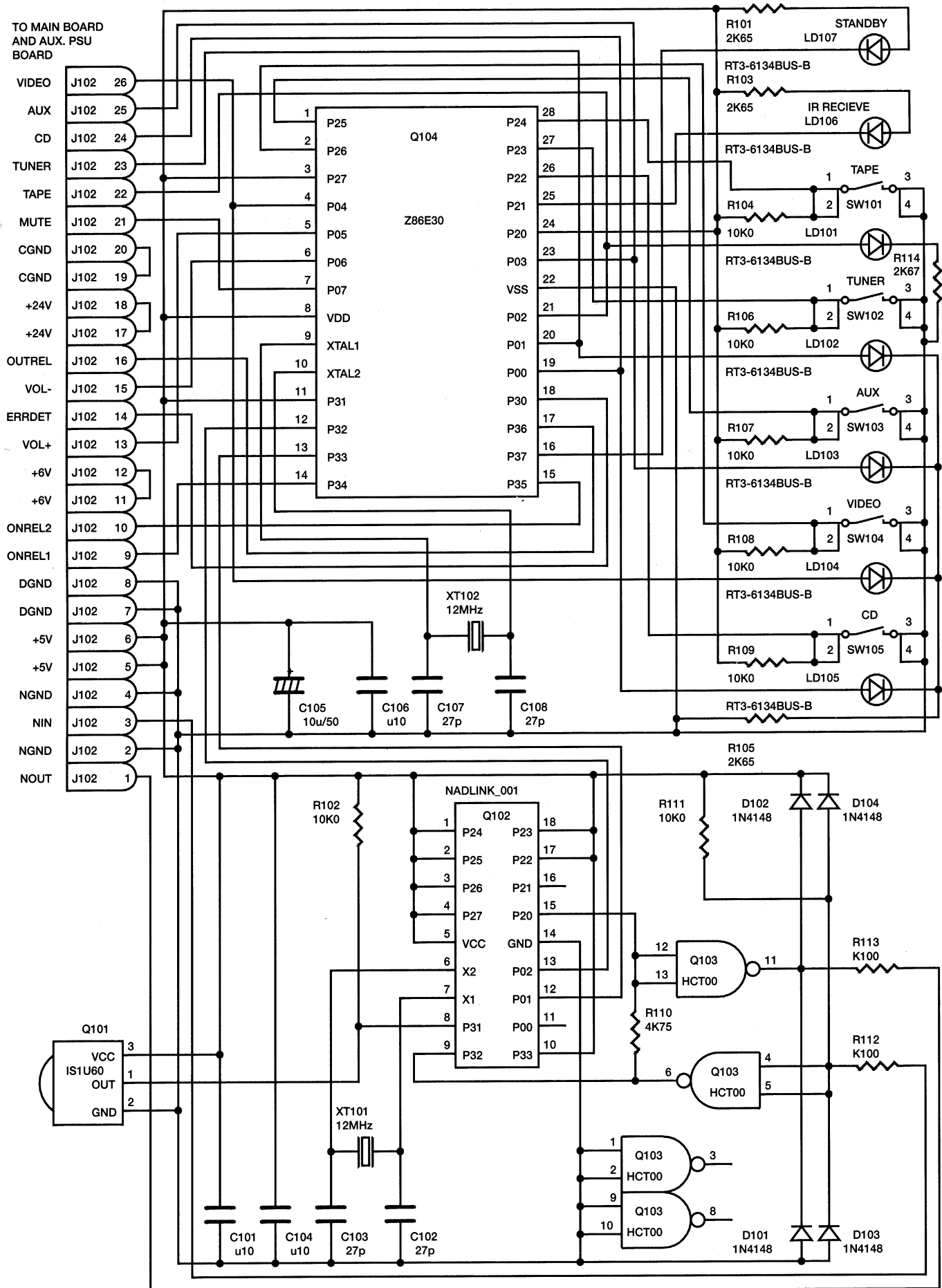


SCHEMATIC DIAGRAM PSU BOARD

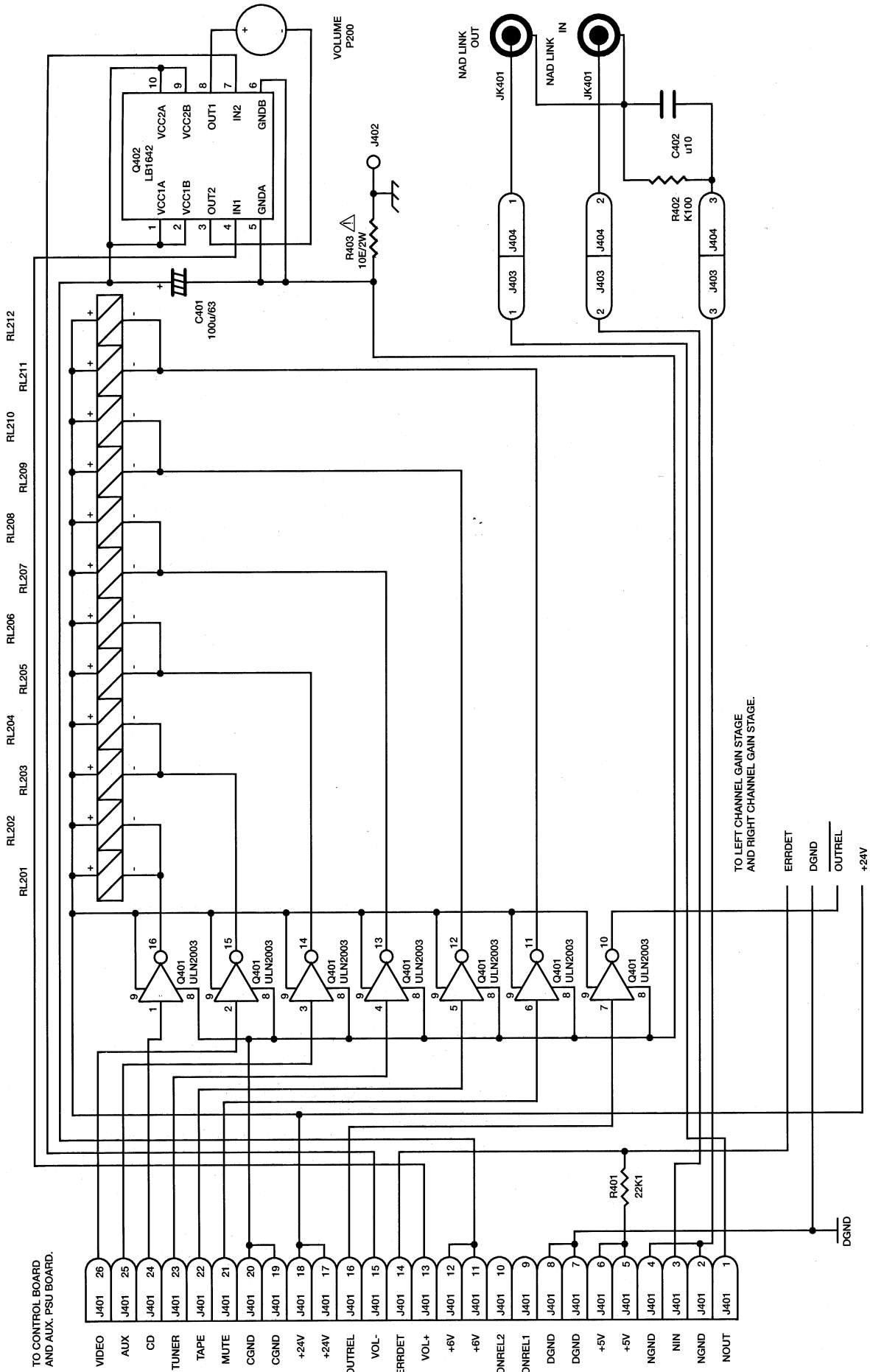


SCHEMATIC DIAGRAM FRONT PANEL BOARD



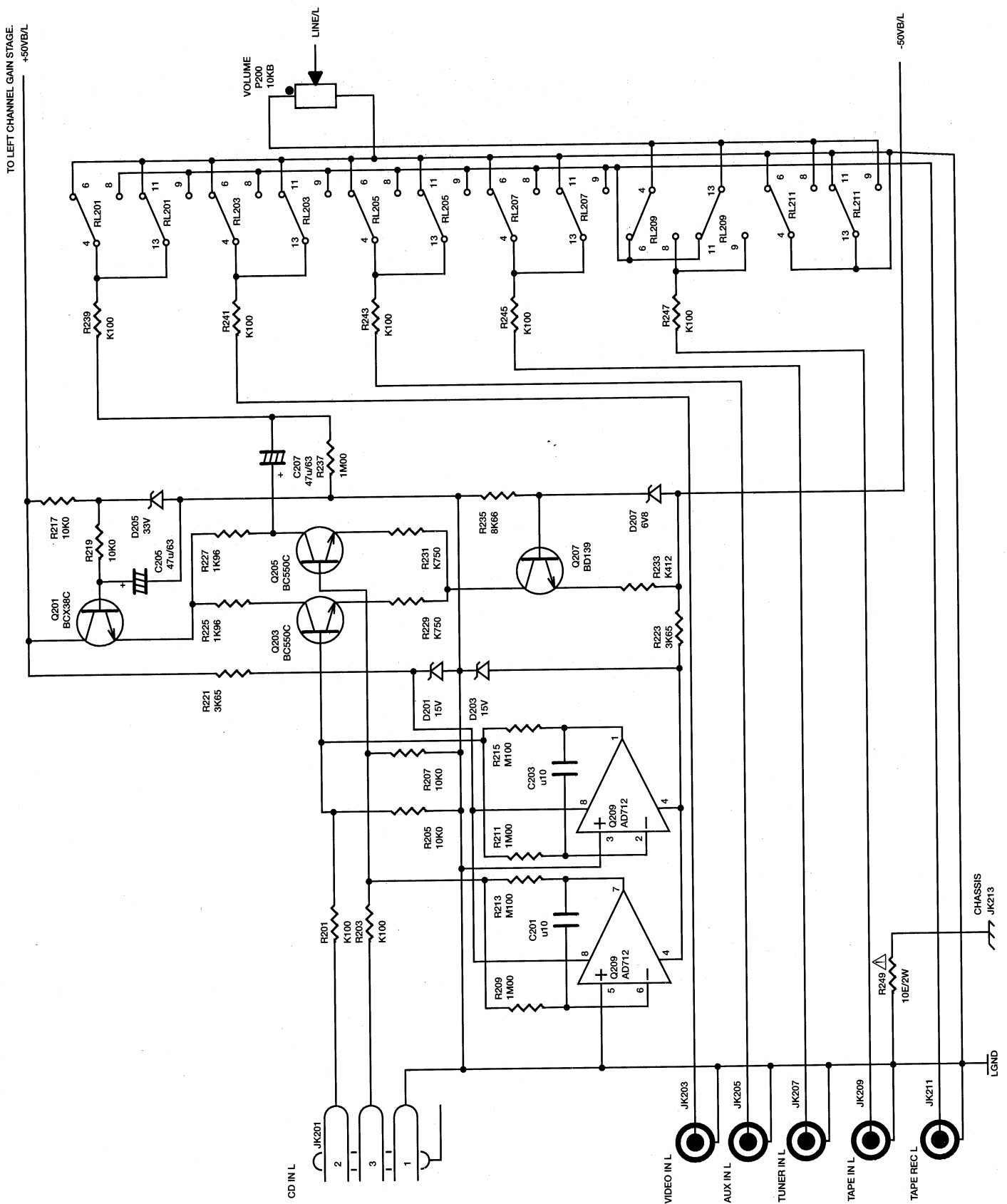
SCHEMATIC DIAGRAM

CONTROL INTERFACE



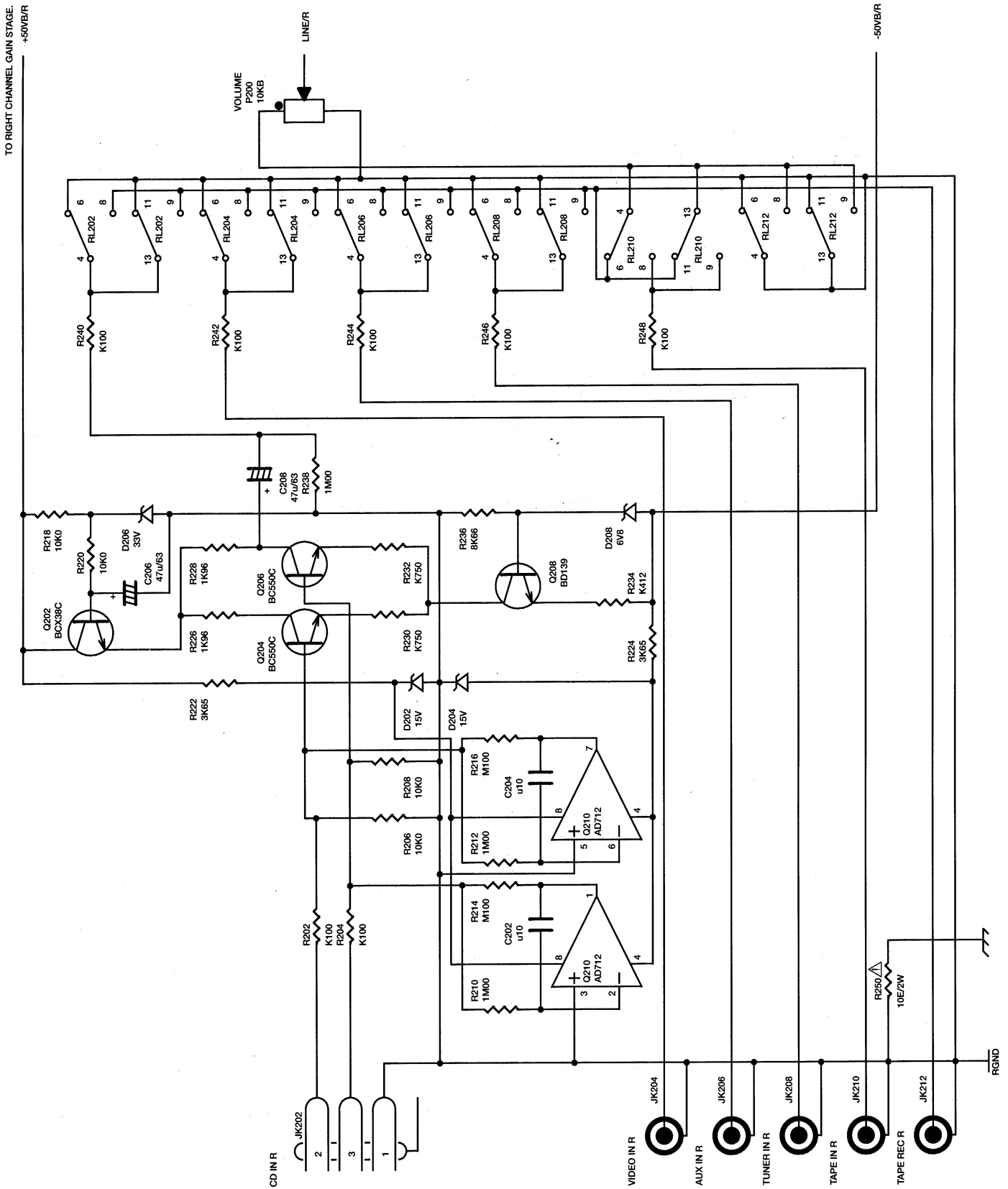
SCHEMATIC DIAGRAM

LEFT INPUT SELECTOR

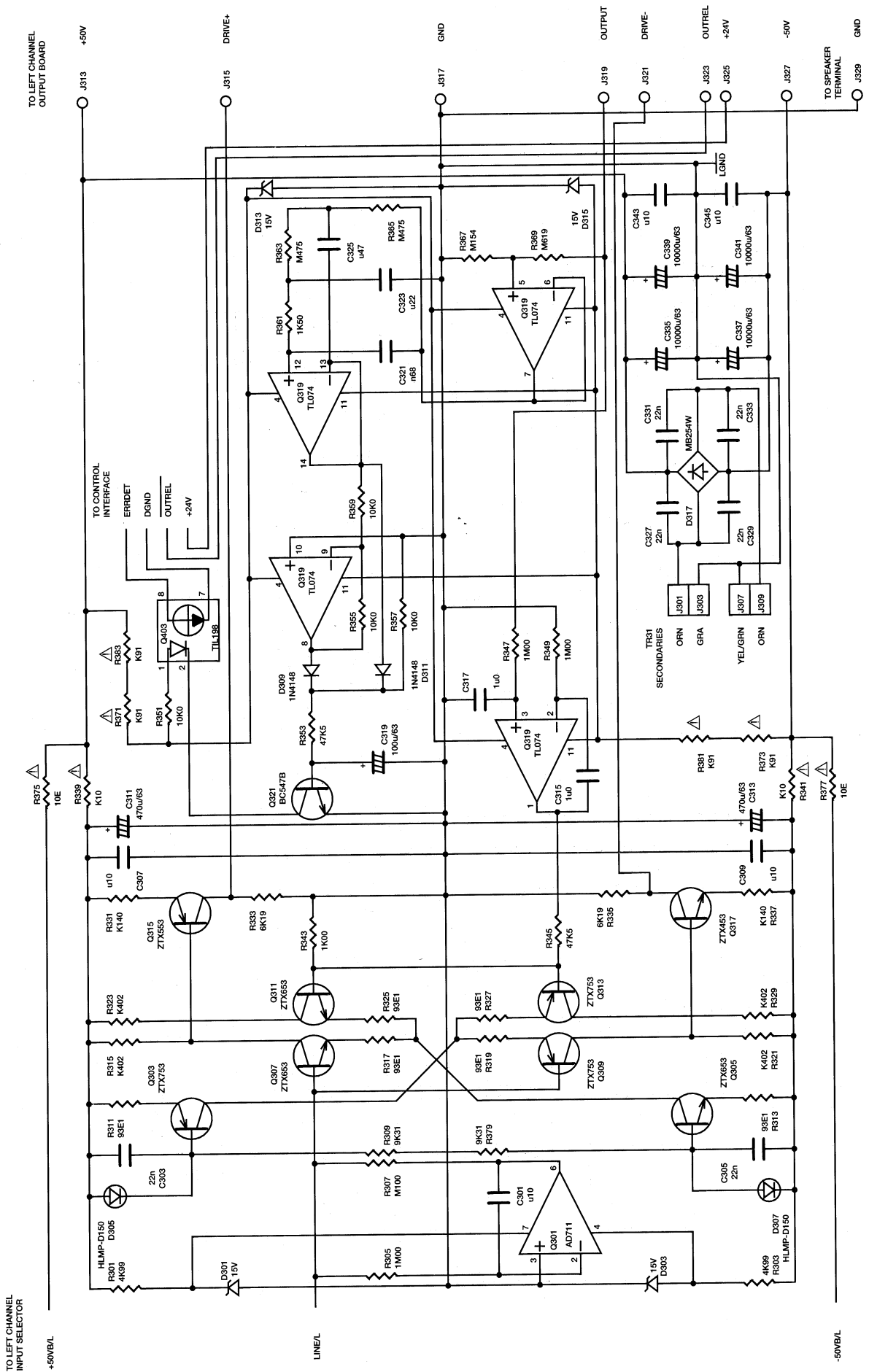


SCHEMATIC DIAGRAM

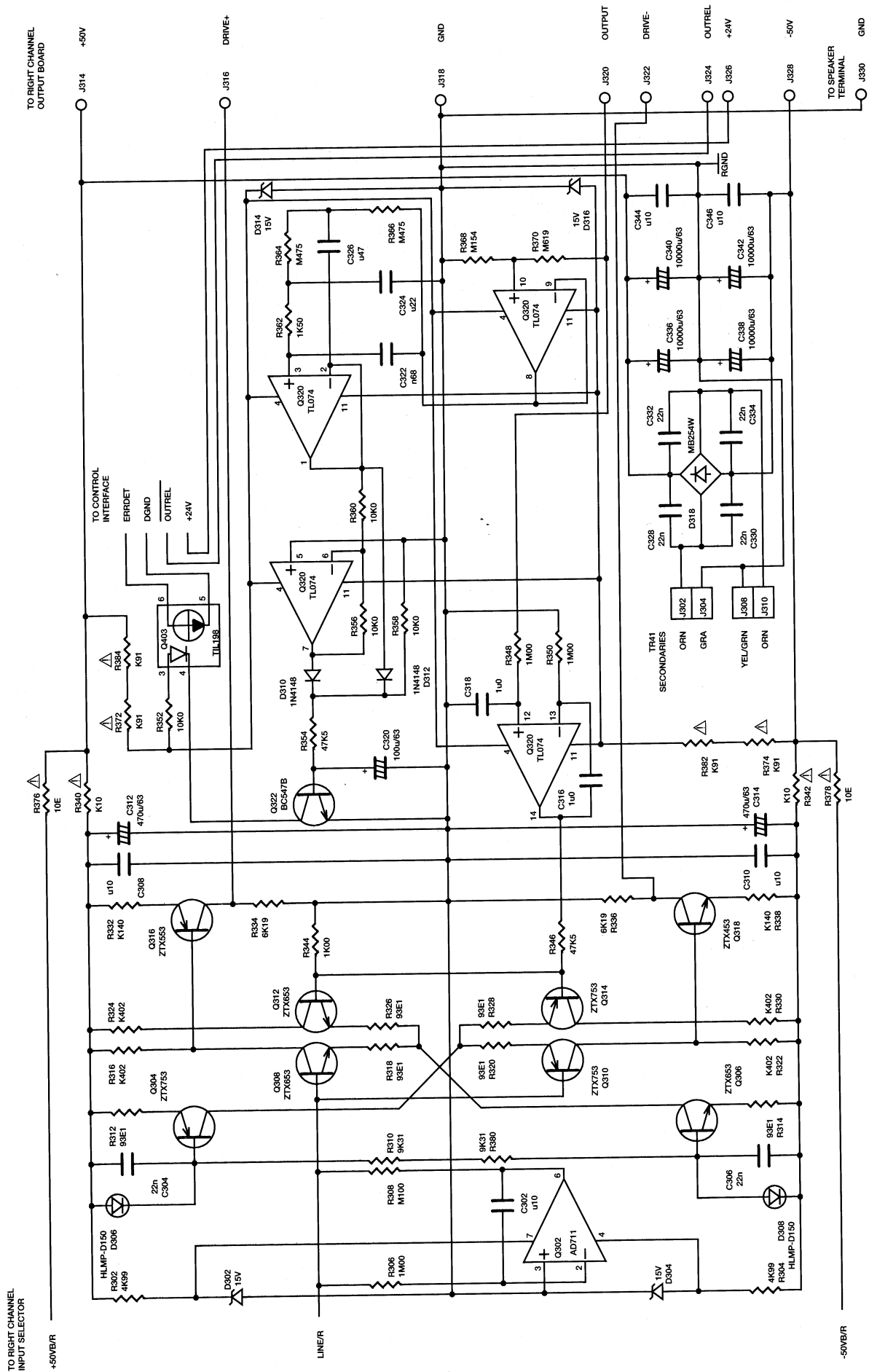
RIGHT INPUT SELECTOR



SCHEMATIC DIAGRAM LEFT GAIN STAGE

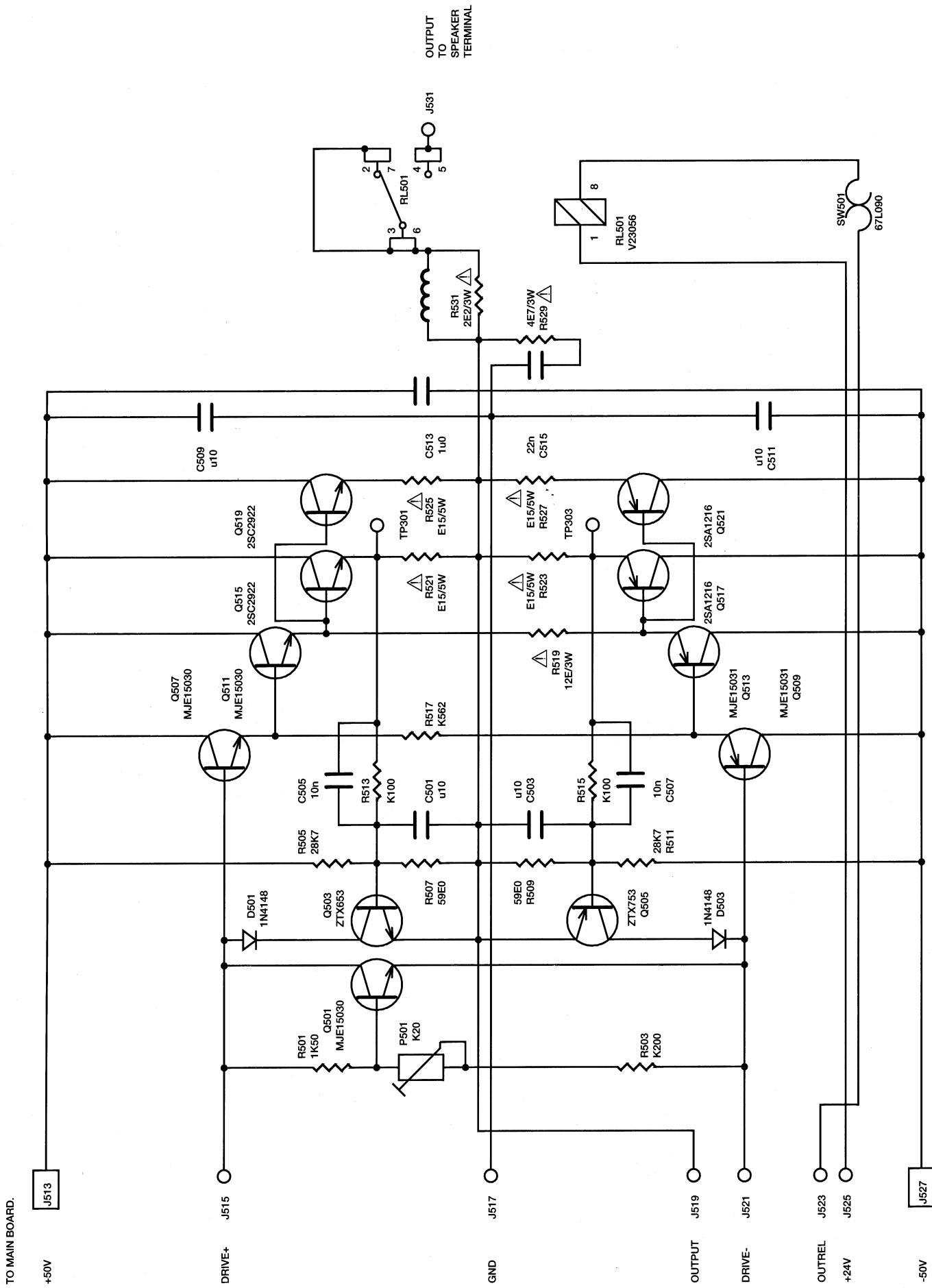


SCHEMATIC DIAGRAM RIGHT GAIN STAGE



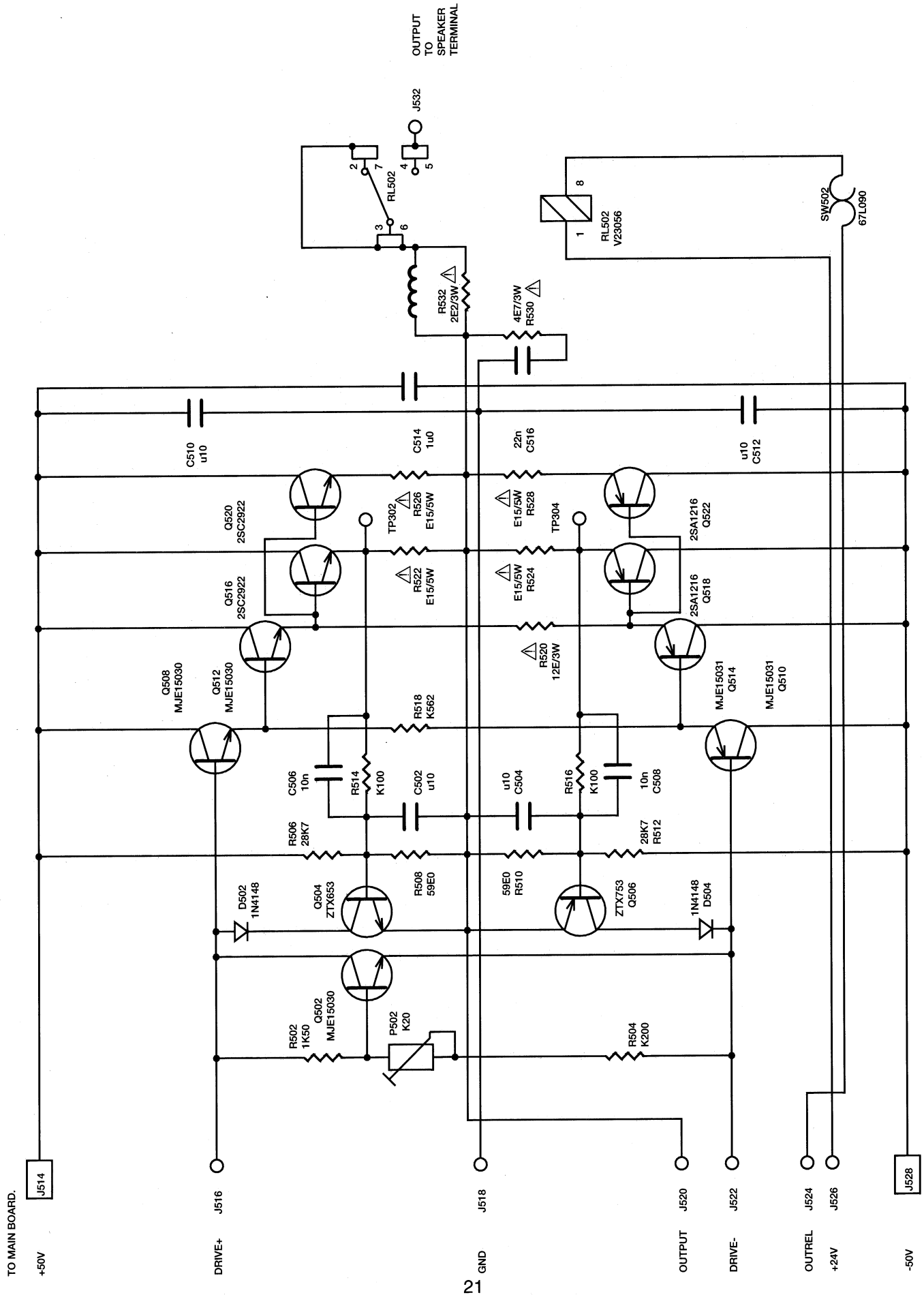
SCHEMATIC DIAGRAM

LEFT AMP



ADJUST P501 FOR 75mV BETWEEN TP301 AND TP303.

SCHEMATIC DIAGRAM RIGHT AMP



ADJUST P502 FOR 75mV BETWEEN TP302 AND TP304.