

SERVICE MANUAL



T 175

AV Tuner Pre-Amplifier

T 175

AV Tuner Pre-Amplifier

SAFETY INFORMATION

NAD[®], Soft Clipping[™], PowerDrive[™] and EARS[™] are trademarks of NAD Electronics International, a division of Lenbrook Industries Limited.
©NAD All Rights Reserved


Manufactured under license under U.S. Patent #'s: 5,451,942; 5,956,674; 5,974,380; 5,978,762; 6,226,616; 6,487,535; 7,003,467; 7,212,872 & other U.S. and worldwide patents issued & pending. DTS is a registered trademark & the DTS logos and Symbol are trademarks of DTS, Inc. © 1996-2007 DTS, Inc. All Rights Reserved.

Manufactured under license from Dolby Laboratories. "Dolby", "Pro Logic", and the double-D symbol are trademarks of Dolby Laboratories.

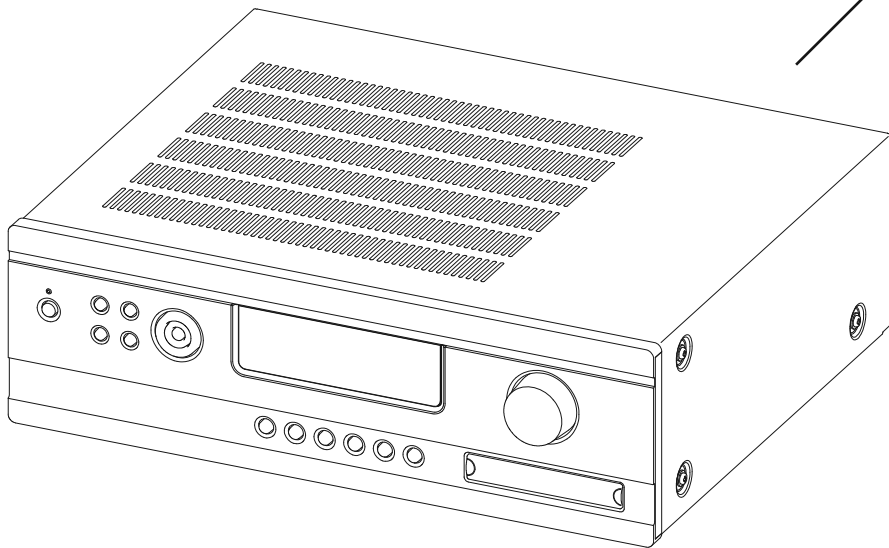
THIS DEVICE COMPLIES WITH PART 15 OF THE FCC RULES. OPERATION IS SUBJECT TO THE FOLLOWING TWO CONDITIONS:
(1) THIS DEVICE MAY NOT CAUSE HARMFUL INTERFERENCE.
(2) THIS DEVICE MUST ACCEPT INTERFERENCE RECEIVED, INCLUDING INTERFERENCE THAT MAY CAUSE UNDESIRABLE OPERATION.

NAD ELECTRONICS INTERNATIONAL
633 GRANITE COURT, PICKERING, ON, CANADA L1W 3K1
MODEL T 175 AV TUNER PREAMPLIFIER
POWER RATING 120V ~ 60Hz 2A
DESIGNED & ENGINEERED IN CANADA. CUSTOM MANUFACTURED TO NAD SPECIFICATIONS IN CHINA

NAD ELECTRONICS INTERNATIONAL
MODEL T 175 AV TUNER PREAMPLIFIER
POWER RATING 230V ~ 50Hz 1A
DESIGNED & ENGINEERED IN CANADA. CUSTOM MANUFACTURED TO NAD SPECIFICATIONS IN CHINA

 **CAUTION**
RISK OF ELECTRIC SHOCK
DO NOT OPEN

WARNING: SHOCK HAZARD - DO NOT OPEN
AVIS: RISQUE DE CHOC ELECTRIQUE - NE PAS OUVRIR



SERVICE SAFETY PRECAUTIONS

1. Replacing the fuses

CAUTION:

FOR CONTINUED PROTECTION AGAINST THE RISK OF FIRE REPLACE ONLY WITH SAME TYPE OF FUSE.

Reference Designator		Database Part Number	Description
F8001*AH	⚠	20-001-0076-90	FUSE 1.6A 250V TIME LAG LBC 5x20mm TSD UL/CSA/VDE/SEMKO
F8001*C,CT	⚠	20-001-0066-90	Fuse TIME-LAG 1A/250VAC 5X20mm TSD UL/CSA/VDE/CCC (WALTER)
F8002*AH	⚠	20-001-0066-90	Fuse TIME-LAG 1A/250VAC 5X20mm TSD UL/CSA/VDE/CCC (WALTER)
F8002*C,CT	⚠	20-001-0068-90	FUSE TIME-LAG 500mA 250VAC 5X20mm TSD UL/CSA/VDE/CCC WALTER

NOTE:

<*AH > : USA, CANADIAN MODEL ONLY.
 <*C, *CT > : EUROPEAN MODEL ONLY.

2. Safety check out

(Only U.S.A. model)

Before returning the product to the customer, make leakage current or resistance measurements to determine that exposed parts are acceptably insulated from supply circuit.

Parts marked with the symbol ⚠ are critical with regard to the risk of fire and electric shock.

CONTENTS

DESCRIPTION	PAGE
SPECIFICATIONS.....	4 - 6
REAR PANEL / FRONT PANEL VIEW	7
DISASSEMBLY INSTRUCTIONS	8
WIRING DIAGRAM	9 - 10
BLOCK DIAGRAM.....	11
SPECIAL FUNCTION	12
DETAILS & WAVEFORMS ON SYSTEM & TEST & DEBUGGING.....	13-16
PCB LAYOUT.....	17- 34
SCHEMATIC DIAGRAM.....	35-53
ELECTRICAL PARTS LIST.....	54-72
IC BLOCK DIAGRAM.....	73-96
EXPLODED VIEW.....	97
EXPLODED VIEW PARTS LIST	98-100
PACKING DIAGRAM.....	101

SPECIFICATIONS

PRE AMPLIFIER SECTION

Rated distortion	(Ext 7.1 1kHz 500mV input ,Pre-out 1V with 30kHz LPF, FL/C/FR) (Ext 7.1 1kHz 500mV input ,Pre-out 1V with 30kHz LPF, SL/SR/BL/BR)	≤ 0.1 % ≤ 0.1 %
S/N Ratio	(Ext 7.1 1kHz 500mV input ,Pre-out 1V with A-WTD, 1kΩ termination, FL/C/FR/SL/SR/BL/BR)	≥ - 85 dB
Frequency Response	(20 Hz - 20 kHz)	0 ± 1.0 dB
Channel Balance	(1 dB to -40 dB, 1 kHz) (-41 dB to -50 dB, 1 kHz)	≤ 2 dB ≤ 3 dB
Audio muting at 1 kHz		≥ 55 dB
Subwoofer out, 500 mV in	(THD at 2 V Pre-out, 100 Hz)	≤ 0.5 %
Crosstalk	(500 mV input, ref @ 1V out, 1 kHz)	≥ -60 dB

Controls

Bass	(at 500 mV in, ref @ 1V out, 100 Hz)	± 10 dB ± 2 dB
Treble	(at 500 mV in, ref @ 1V out, 100 Hz)	± 10 dB ± 2 dB

DOLBY DIGITAL SECTION

Channel Difference	(FL ref. Track 30)	± 1.2 dB
Frequency Response at Dolby config.2	SL Track 46 200 - 20 kHz SR Track 47 200 - 20 kHz C Track 44 200 - 20 kHz	± 0.8 dB ± 0.8 dB ± 0.8 dB
Harmonic Distortion (1 V, Audio LPF, Dolby Config 1)	FL Track 65 997 Hz FR Track 67 997 Hz SL Track 68 997 Hz SR Track 69 997 Hz C Track 66 997 Hz	≤ 0.08 % ≤ 0.08 % ≤ 0.08 % ≤ 0.08 % ≤ 0.08 %
S/N Ratio (31 for 100mV @ Pre-out, Track 35)	CCIR / ARM Audio LPF A-wtd	≥ 65 dB ≥ 70 dB ≥ 70 dB

DOLBY PRO LOGIC II SECTION

Frequency Response

I/P mode : L, R	: 1 V in, 1V @ Pre-out, Ch L/R	40 Hz 20 kHz	0 ± 2.0 dB 0 ± 2.0 dB
I/P mode : L=R	: 1 V in, 1V @ Pre-out, Ch /L/R Ch C	40 Hz 20 kHz	0 ± 2.0 dB 0 ± 2.0 dB
I/P mode : L=-R	: 1 V in, 1V @ Pre-out, Ch SL/SR	40 Hz 20 kHz	0 ± 2.0 dB 0 ± 2.0 dB
S/N Ratio (200 mV in, 100mV @ Pre-out, A-WTD w/ 1 kΩ termination)			
I/P mode : L, R	: 1 kHz, Ch L/R		≥ 65 dB
I/P mode : L=R	: 1 kHz, Ch C		≥ 65 dB
I/P mode : L=-R	: 1 kHz, Ch SL/SR		≥ 65 dB
THD	(2.2 V in, 100mV @ Pre-out, w/ 80 kHz LPF, 1kHz)		≤ 0.2 %
MAX VOL	PLII Music mode, 1kHz, 1Vp-p, CD in,		≥ 40 dB
NOISE	connect to T775 Ext 7.1, measure at T775 Spk out, with ref. to 1W S/N (L,R,C,SL,SR)		

DTS SECTION

Output Level (Vol 0 dB)	: FL/FR/C/SL/SR Track 6	1 kHz	200 ± 10mV
Channel Difference (FL ref)	: FL/FR/C/SL/SR Track 6	1 kHz	0 ± 1.5 dB
Harmonic Distortion (Audio Filter)	: FL/FR/C/SL/SR Track 10-14	1 kHz	≤ 0.08 %
Frequency Response (20 Hz to 20 kHz)	Track 26-30		+2/-1.5 dB
Subwoofer Output Level	1 kHz ref at pre-out (FL) Play Track 10, change to 15		12.5 ± 1.5 dB

NOISE MEASUREMENT

Surround mode noise (Preout) DVD input 1V (L only), volume @ -12dB, Enhanced Stereo 1 mode, 100mV Preout output reference	20-20kHz A-WTD	-72dB -75dB
Surround mode noise (Subwoofer out) DVD input 1V (L only), volume @ -12dB, Enhanced Stereo 1 mode, 1V Preout output reference	20-20kHz A-WTD	-75dB -78dB
Surround mode noise (Preout) DVD input 1V (L only), maximum volume, Enhanced Stereo 1 mode, 100mV Preout output reference	20-20kHz A-WTD	-48dB -50dB
Surround mode noise (Subwoofer out) DVD input 1V (L only), maximum volume @ -12dB, Enhanced Stereo 1 mode, 1V Preout output reference	20-20kHz A-WTD	-67dB -72dB

AM TUNER SECTION

Input level is expressed as the reading in open circuit of 75-ohm source impedance signal generator

Usable sensitivity (999/1000 kHz)		≤ 60 dB_{μV}
S/N Ratio (5 mV in)		≥ 38 dB
THD (5 mV in)		≤ 3 %
IF Rejection (450 kHz)		≤ 36 dB
Image Rejection (F+2xIF)		≥ 28 dB
Selectivity		≥ 17 dB
Output		170 -20/+30 mV
Loop sensitivity (20 dB S/N)		
	999/1000 kHz	≤ 66 dB
	603/600 kHz	≤ 66 dB
	1404/1400 kHz	≤ 66 dB
Frequency Response (100 - 2.3 kHz, 5 mV)		± 6 dB

FM TUNER SECTION

***C**

***AH**

Input level is expressed as the reading in open circuit of 75-ohm source impedance signal generator

Usable sensitivity (98 MHz)		≤ 15 dB_μ	≤ 15 dB_{μV}
S/N Ratio (60 dB, IHF wtd)	Mono	≥ 60 dB	≥ 60 dB
	Stereo	≥ 63 dB	≥ 63 dB
Frequency Response (20 Hz - 15 kHz, 60 dB _μ)		0 ± 1.5 dB	0 ± 1.5 dB
Channel Separation (60 dB _μ)	100 Hz	≥ 30 dB	≥ 30 dB
	1 k	≥ 32 dB	≥ 32 dB
	10 kHz	≥ 30 dB	≥ 30 dB
Alternate Channel Selectivity (40 dB _μ , ± 400 kHz)		≥ 60 dB	≥ 45 dB
Capture Ratio (40 dB _μ)		≤ 3 dB	≤ 3 dB
AM Suppression (60 dB _μ , 100% Mod. FM, 30% Mod. AM)		≥ 48 dB	≥ 48 dB
Image Rejection (119.4 MHz)		-	≥ 65 dB

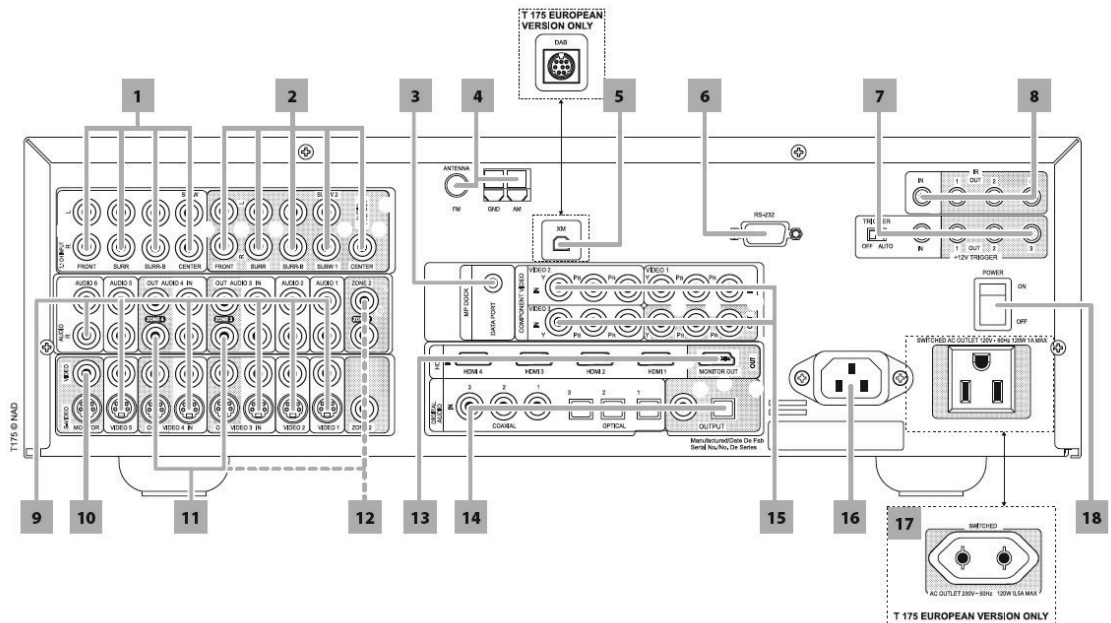
I.F. Rejection	(10.7 MHz)		≥ 78 dB	–
Pilot Suppression	(98 MHz)		≥ 50 dB	≥ 50 dB
THD (60 dB μ , L=R 75 kHz for AH, 40 kHz Dev for C)		Mono	≤ 0.5 %	≤ 0.5 %
		Stereo	≤ 0.5 %	≤ 0.5 %
Auto-Search Sensitivity		On	≥ 24 dBμ	≥ 24 dBμ
		Off	≤ 15 dBμ	≤ 15 dBμ
RDS decode Sensitivity			≤ 26 dBμ	–

PHYSICAL SPECIFICATIONS

Dimensions (Width x Height x Depth)	435 x 134 x 353 mm
Net Weight	9.45 Kg (20.79 lbs)
Shipping Weight	13.9 Kg (30.58 lbs)

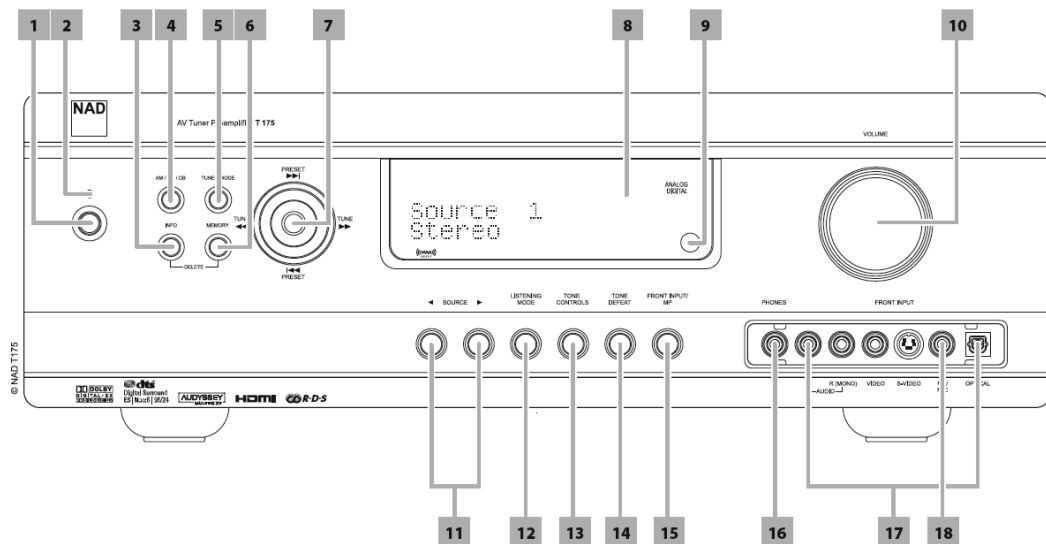
REAR PANEL / FRONT PANEL VIEW

REAR PANEL



- | | | |
|--|----------------------------|--------------------------|
| 1. 7.1 CH INPUT | 7. +12V TRIGGER OUT | 13. HDMI |
| 2. AUDIO PREOUT | 8. IR IN/OUT | 14. DIGITAL AUDIO IN/OUT |
| 3. MP DOCK | 9. AUDIO/VIDEO 1~6 IN | 15. COMPONENT IN/OUT |
| 4. FM,AM ANTENNA INPUT | 10. MONITOR(S-VIDEO,VIDEO) | 16. AC POWER INLET |
| 5. XM MODULE INPUT(AH)
DAB MODULE INOUT(C,CT) | 11. AUDIO/VIDEO 3/4 OUT | 17. SWITCHED AC OUTLET |
| 6. RS-232 | 12. ZONE 2,3,4 | 18. POWER |

FRONT PANEL



- | | | |
|-----------------|---|-----------------------|
| 1. POWER BUTTON | 7. NAVIGATION AND
ENTER BUTTON | 12. LISTENING MODE |
| 2. STANDBY LED | 8. VACUUM, FLUORES
CENT DISPLAY(VFD) | 13. TONE CONTROLS |
| 3. INFO | 9. REMOTE SENSOR | 14. TONE DEFEAT |
| 4. AM/FM/DB | 10. VOLUME | 15. FRONT INPUT/MP |
| 5. TUNER MODE | 11. SOURCE | 16. PHONES |
| 6. MEMORY | | 17. FRONT INPUT JACKS |
| | | 18. MP/MIC INPUT |

DISASSEMBLY INSTRUCTIONS

1. Remove machine screws M4.0 x 8.0 (**x 6pcs**) from the side panels.
Remove tapping screw 3.0 x 8.0 (**x 4pcs**) from the back panel.
Refer to **Figure No. 1**.

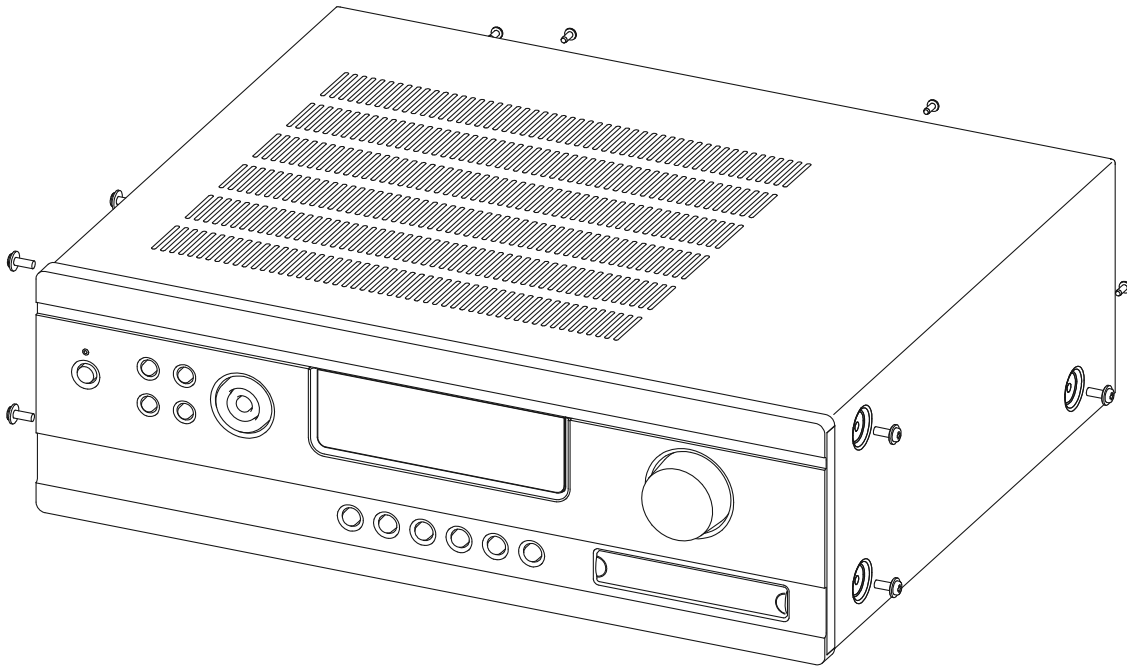


Figure No. 1

2. Pull both sides of the TOP COVER slightly outwards and tilt approx. 35 ° and then remove in the direction as indicated. Refer to **Figure No. 2**.

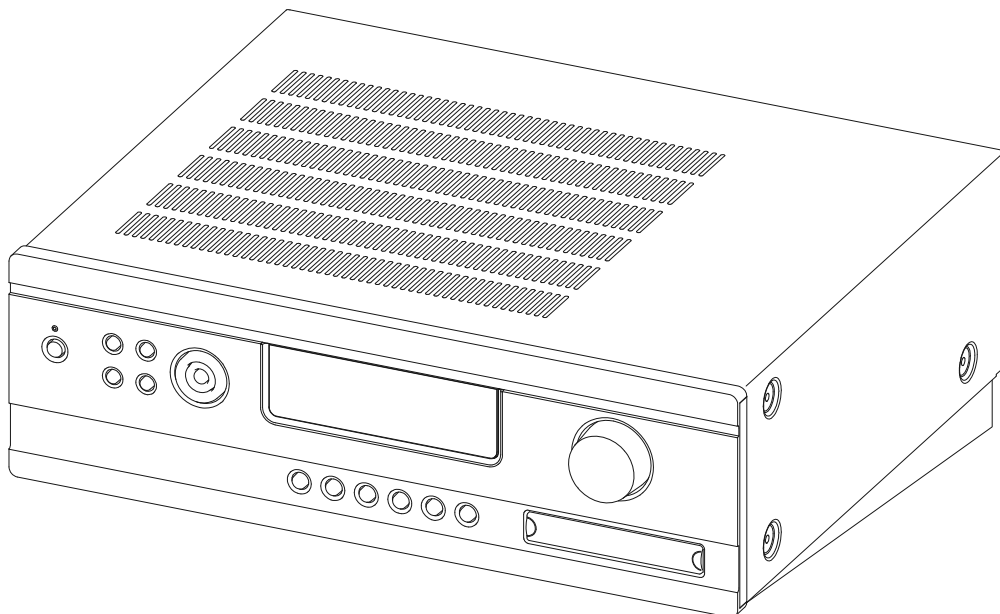
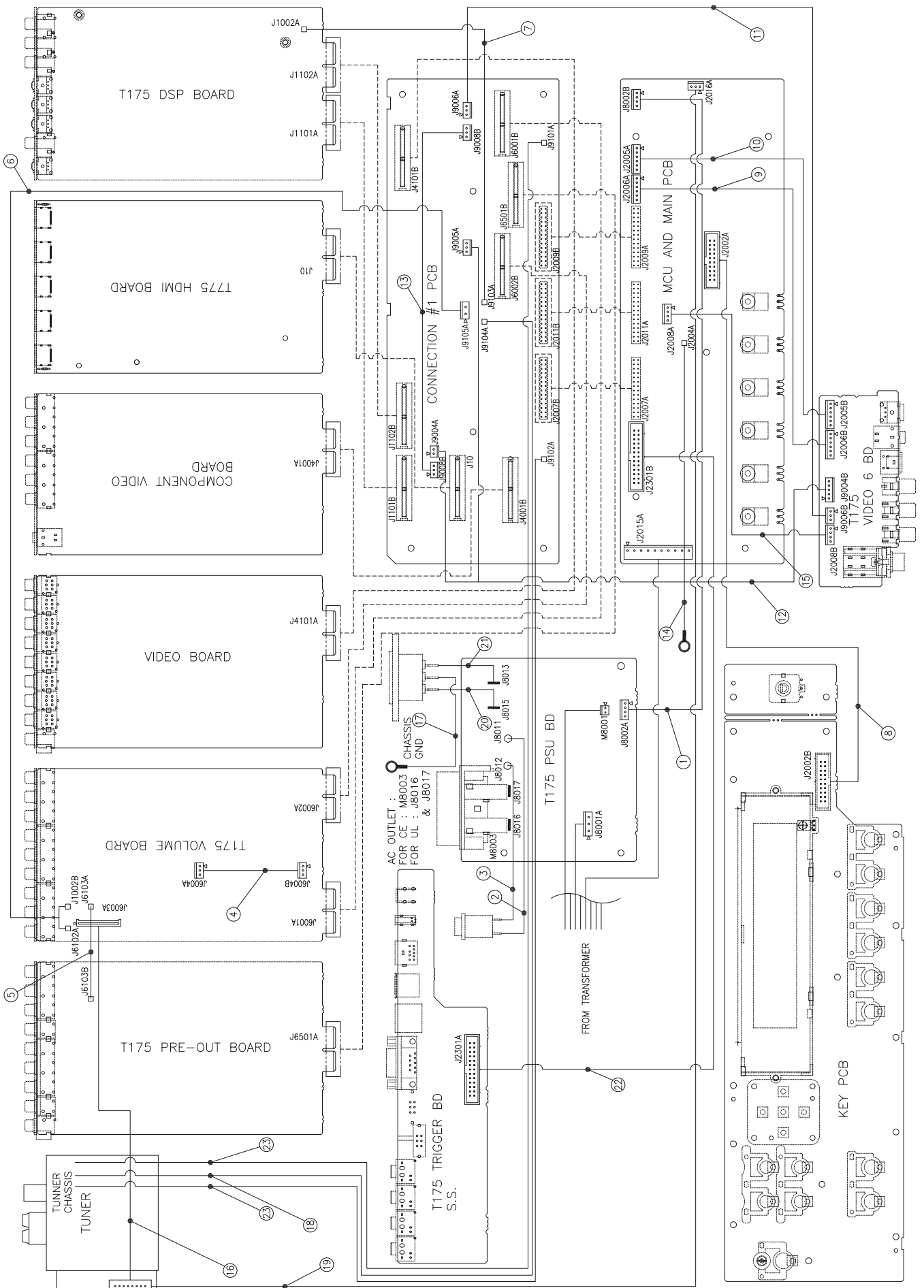


Figure No. 2

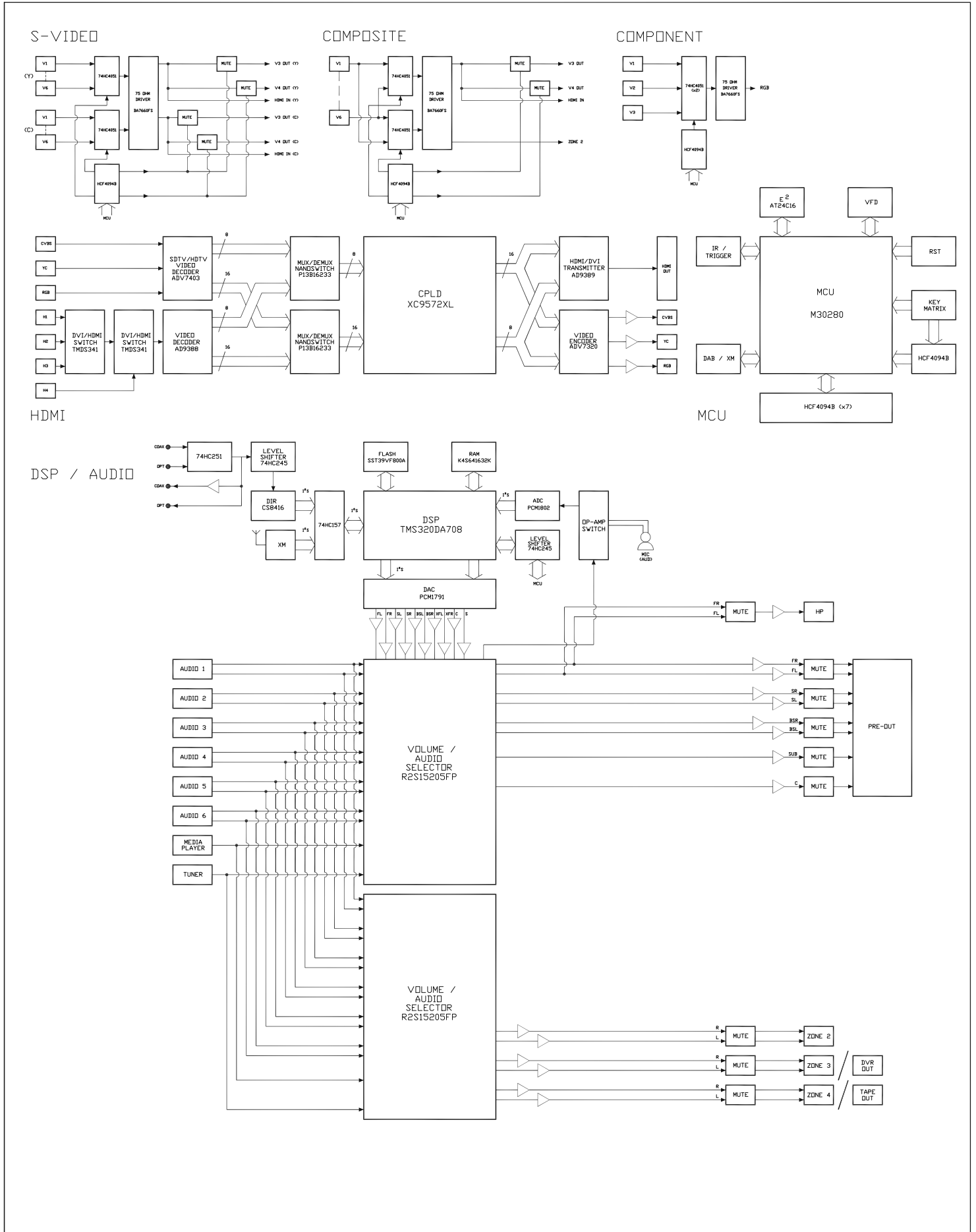
WIRING DIAGRAM



WIRING DIAGRAM PARTS LIST

Item	Database Part Number	Description	Remark
1	17-012-3970-90	CABLE ASSY 4 WAYS AWG26 2.5P UL2468 L=600mm (RoHS)	PSU-J8002A
2	17-012-3966-90	CABLE ASSY 1 WAY AWG18 UL1672 BLUE L=120mm FASTON 4.8mm (RoHS)	PSU-J8011
3	17-012-3967-90	CABLE ASSY 1 WAY AWG18 UL1672 BROWN L=100mm FASTON 4.8mm (RoHS)	PSU-J8012
4	17-012-3940-90	CABLE ASSY 3 WAYS #26 2.5P UL2854 L=110 (ROHS)	VOL BD- J6004A/B
5	17-012-3999-90	CABLE ASSY 1 WAY AWG18 UL1007 L=100MM W/ HEADER (RoHS)	VOL BD-J6103A
6	17-012-4000-90	CABLE ASSY 2 WAYS AWG18 UL1007 3.96P L=340MM (RoHS)	VOL BD- J1002B/J6102A
7	17-012-3938-90	CABLE ASSY 1 WAY AWG18 UL1007 L=320MM W/ HEADER (RoHS)	DSP BD-J1002A
8	17-012-3971-90	CABLE ASSY 20 WAYS AWG28 UL2651 L=120mm PCB MOUNT (RoHS)	KEY BD-J2002B
9	17-012-3171-90	CABLE ASSY 6 WAYS AWG26 2.5P UL1533 L=160mm (RoHS)	V6 BD-J2006B
10	17-012-3404-90	CABLE ASSY 6 WAYS AWG26 2.5P UL1007 L=150mm (RoHS)	V6 BD-J2005B
11	17-012-3936-90	CABLE ASSY 3 WAYS AWG26 2.5P UL2854 L=310 (RoHS)	CONN#1-J9006A
12	17-012-3937-90	CABLE ASSY 5 WAYS AWG26 2.5P UL2854/1533 L=230/320 (RoHS)	CONN#1- J9004A/J9005A
13	17-012-3964-90	CABLE ASSY 3 WAYS AWG26 2.5P UL2854 L=230 (RoHS)	CONN#1- J9008A/B
14	17-012-2924-90	CABLE ASSY 1 WAY AWG18 UL1015 BLACK L=260MM W/ RING TERMINAL (RoHS)	MCU BD- JP2004A
15	17-012-3930-90	CABLE ASSY 4 WAYS AWG26 2.5P UL1533 L=160mm (RoHS)	MCU VD-J2008A
16	17-010-0122-90	FFC CABLE 17 PINS P1.25 L=360MM 15 & 16 PINS VOID (RoHS)	TUNER-J6003A
17	17-012-2875-90	Cable assy 1 way AWG=16 UL 1015 Green/Yellow L=100mm(RoHS)	CHASSIS GND, AC OUTLET GND
18	17-012-3938-90	CABLE ASSY 1 WAY AWG18 UL1007 L=320MM W/ HEADER (RoHS)	TUNER-J9104A
19	17-012-3965-90	CABLE ASSY 3 WAYS AWG26 2.5P UL2547 L=500 (RoHS)	TUNER-J2016A
20	17-012-3968-90	CABLE ASSY 1 WAY AWG18 UL1672 BLUE L=80mm (RoHS)	J8015, J8017
21	17-012-3969-90	CABLE ASSY 1 WAY AWG18 UL1672 BROWN L=80mm (RoHS)	J8013, J8016
22	17-012-3972-90	CABLE ASSY 26 WAYS AWG28 UL2651 L=450mm (RoHS)	J2301C
23	17-012-4001-90	CABLE ASSY 1 WAY AWG18 UL1007 L=420 W/ HEADER (RoHS)	TUNER- J9101A,J9102A

BLOCK DIAGRAM



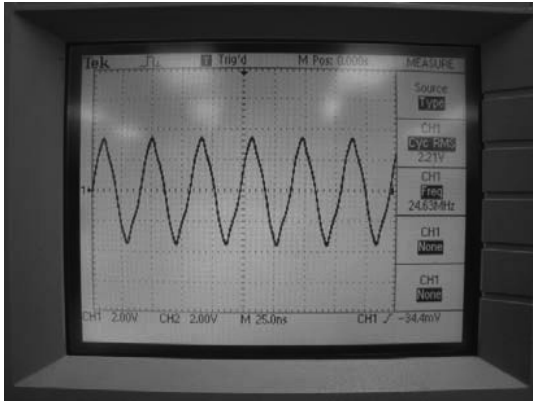
SPECIAL FUNCTION

Function	Keys	Notes
Factory Reset AH	Source Down + Front/MP	
Factory Reset C	Source UP + Front/MP	
Toggle IR Channel	Source Down + Power	Only for v1.08 or higher.
Check MCU Version	Source Down + Source UP	For v1.03 or higher, this checks all versions.
Check DSP Version	Source Down + Listening Mode	Only for v1.02 or older.
Check Current Video Mode	Source Down + Tone Controls	
MIC Test	Source Down + Tone Defeat	
VFD Test	Source Down + Display	
PAL/NTSC	Source Down + Memory	
DAB/XM	Source Down + Tuner Band	Must cycle power before change takes effect.
9k/10k	Source UP + Tuner Band	Must reselect AM before change takes effect.
XM 1kHz Test Tone	Tuner Band + Tuner Mode	XM must be selected first.
XM Signal Strength	Tuner Mode for 0.5 seconds	XM must be selected first.
XM Diagnostics Mode	Tuner Mode for 3 seconds	XM must be selected first.
Check DAB Module Version	Tuner Mode for 3 seconds	DAB must be selected first.
Enter Diagnostics Mode	Source Down + Enter	
Diagnostic Mode Down	Source Down + Cursor Right	
Diagnostic Mode Up	Source Down + Cursor Left	
Power Off All Zones	Power Toggle or Power Off for 3 seconds	

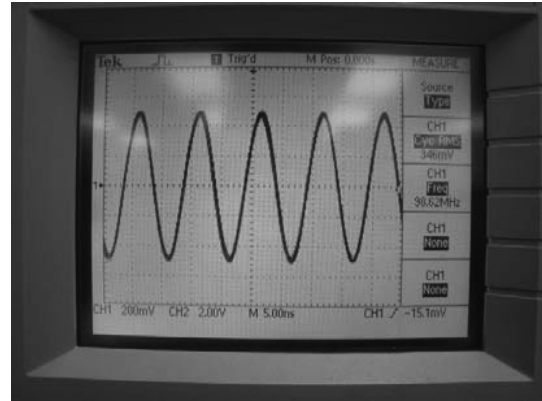
DETAILS & WAVEFORMS ON SYSTEM TEST & DEBUGGING

DSP

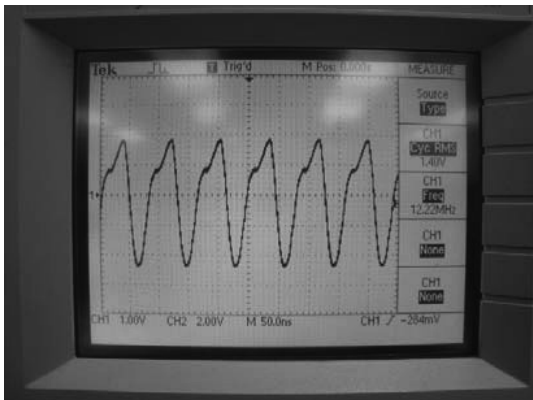
U1007 Pin 17 - X1001C output, 24.576MHz



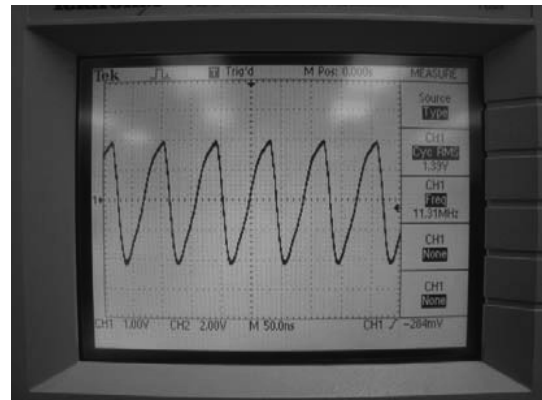
U1007 Pin 70 - Clock for external memory, 100MHz



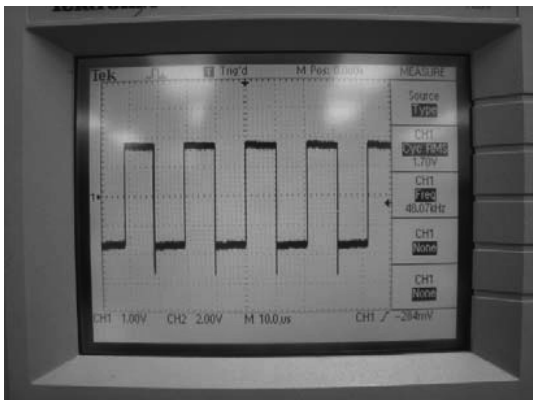
U1007 Pin 2 - Master clock (Analog), 12.288MHz



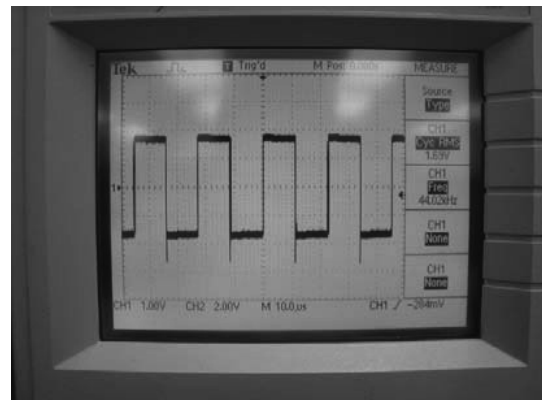
U1007 Pin 2 - Master clock (PCM), 11.2896MHz



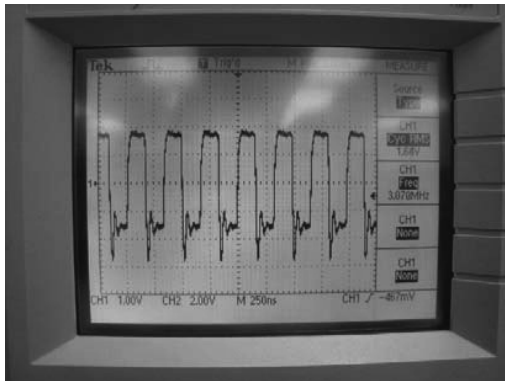
U1007 Pin 12 - Left/Right clock (Analog), 48kHz



U1007 Pin 12 - Left/Right clock (PCM), 44.1kHz

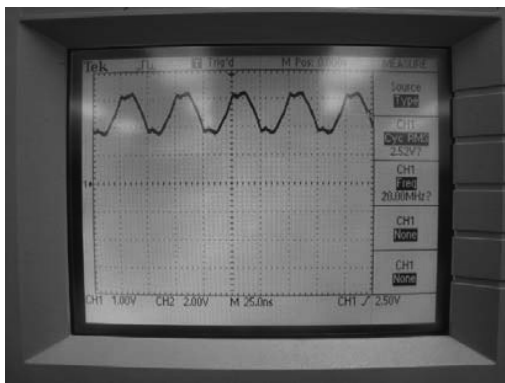


U1007 Pin 9 - Serial clock (Analog), 3.072MHz



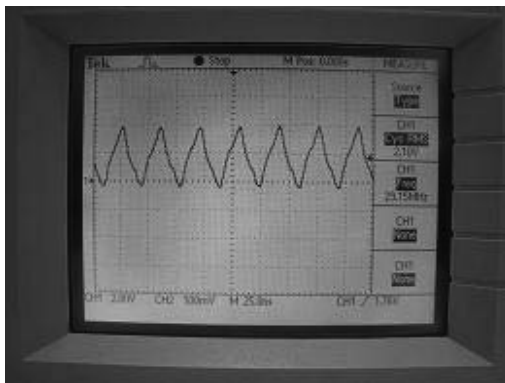
MCU

U2001 Pin 12 - X2001A output, 20.000MHz

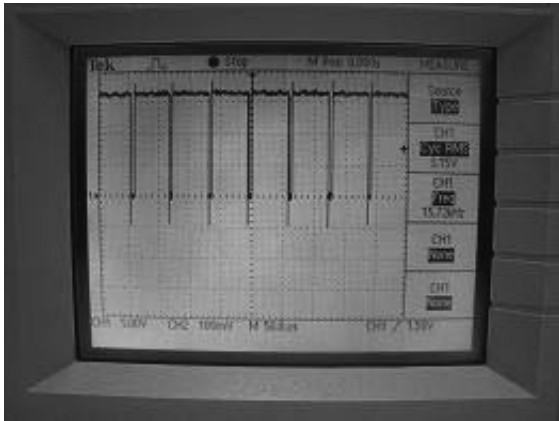


HDMI

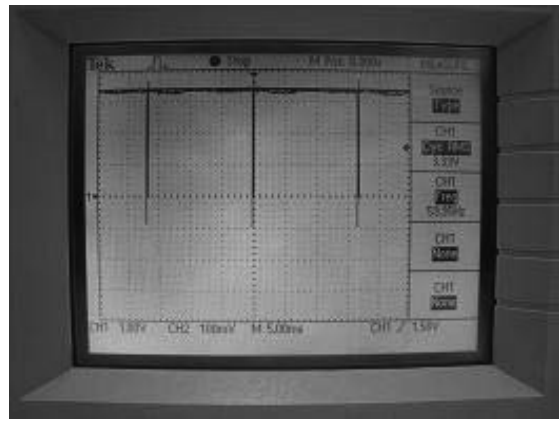
U12 Pin 38 - U3 output, 28.636MHz



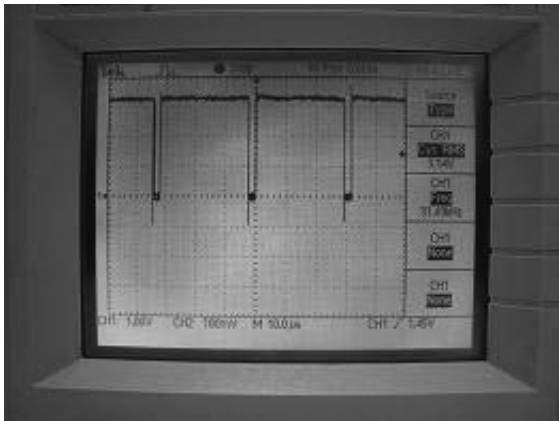
U9 Pin 1 –DAC_HS (OSD Off), 31.48kHz



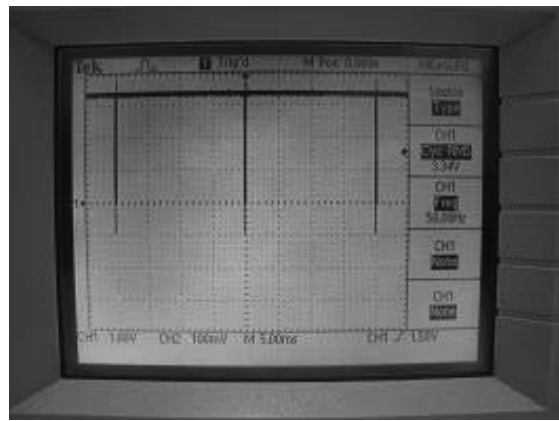
U9 Pin 54 –DAC_VS (OSD On, NTSC), 60Hz



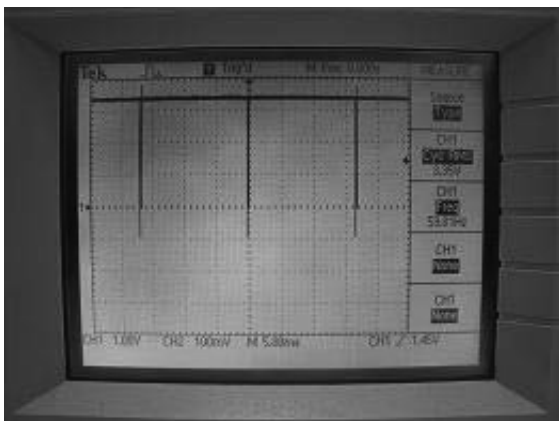
U9 Pin 1 –DAC_HS (OSD On), 15.72kHz



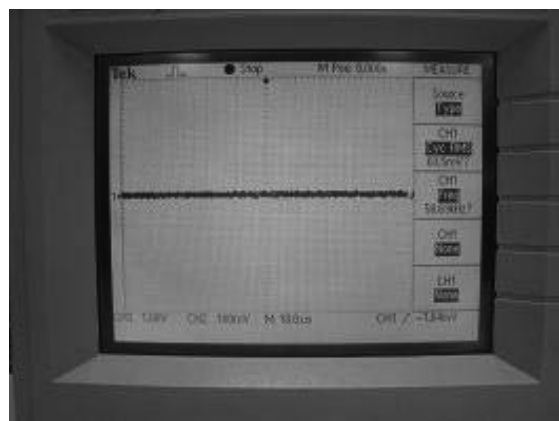
U9 Pin 54 –DAC_VS (OSD On, PAL), 50Hz



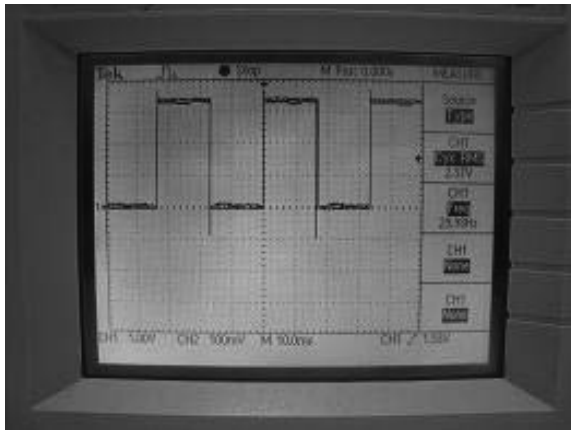
U9 Pin 54 –DAC_VS (OSD Off), 60Hz



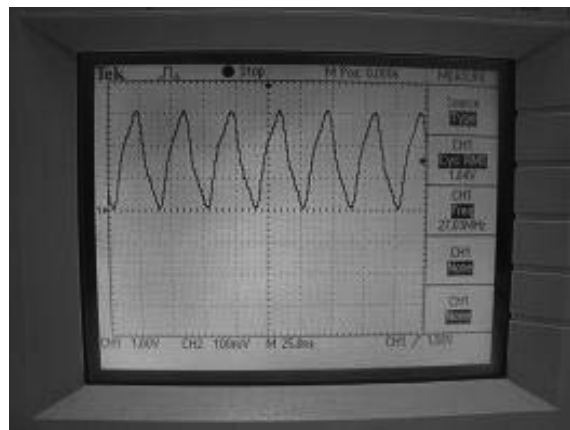
U9 Pin 4 –DAC_FLD (OSD Off), Idle



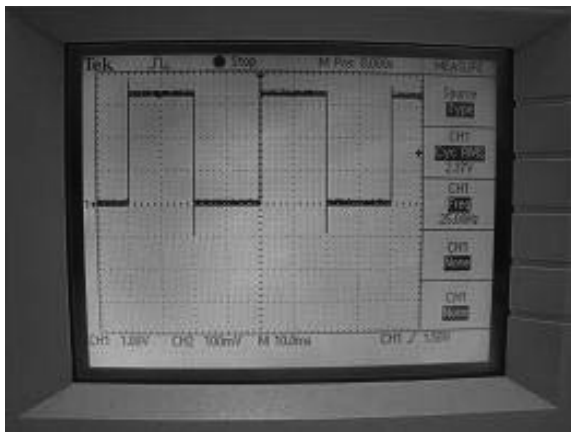
U9 Pin 4 –DAC_FLD (OSD On, NTSC), 30Hz



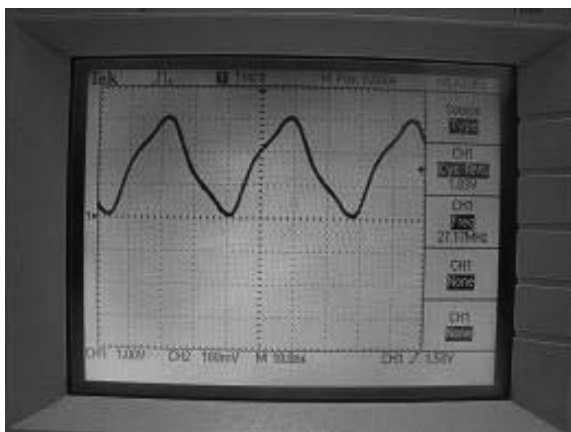
U9 Pin 51 –PCLK (OSD On), 27MHz



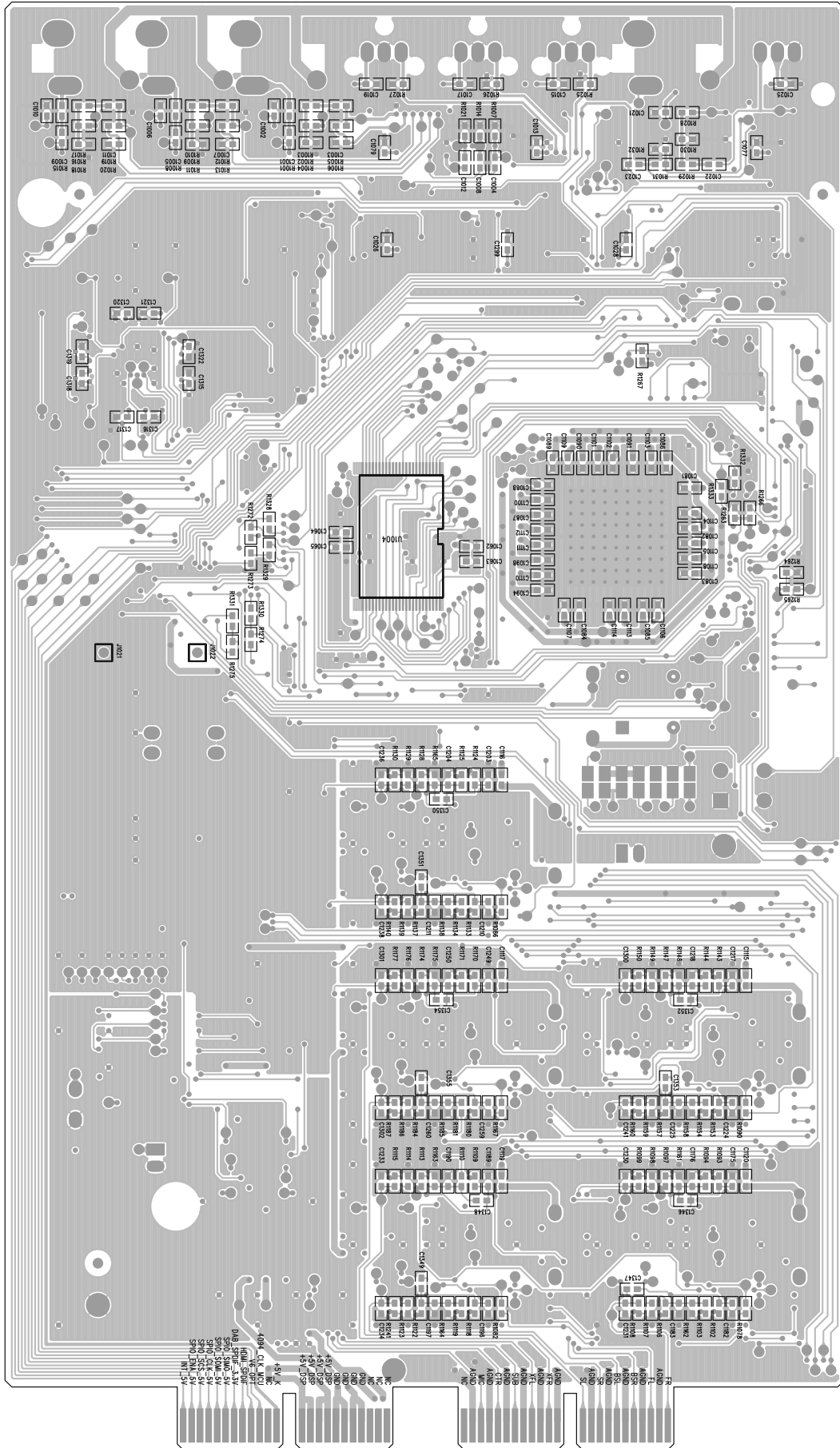
U9 Pin 4 –DAC_FLD (OSD On, PAL), 25Hz



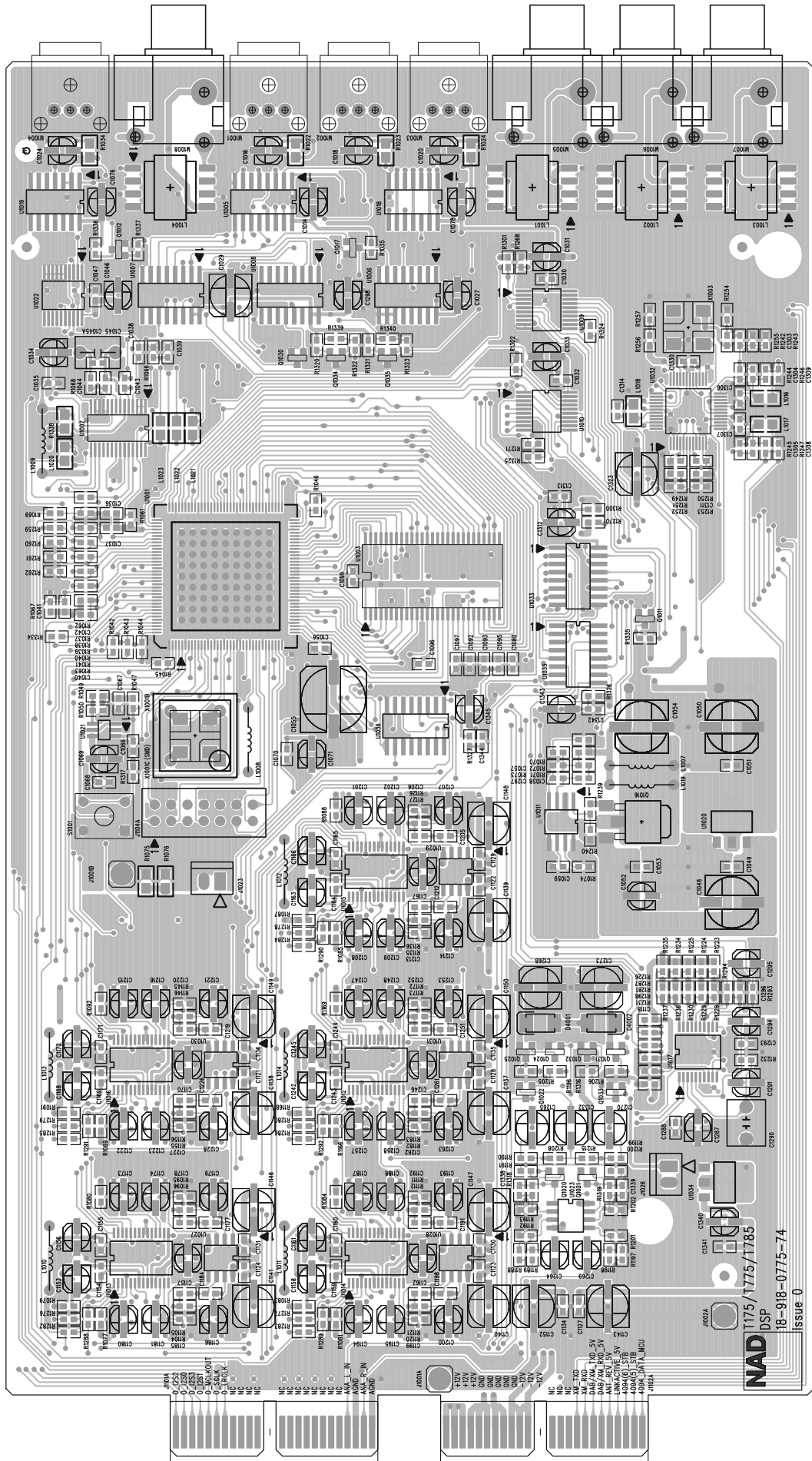
U9 Pin 51 –PCLK (OSD Off), 27MHz



PCB LAYOUT DSP BOARD - COPPER SIDE

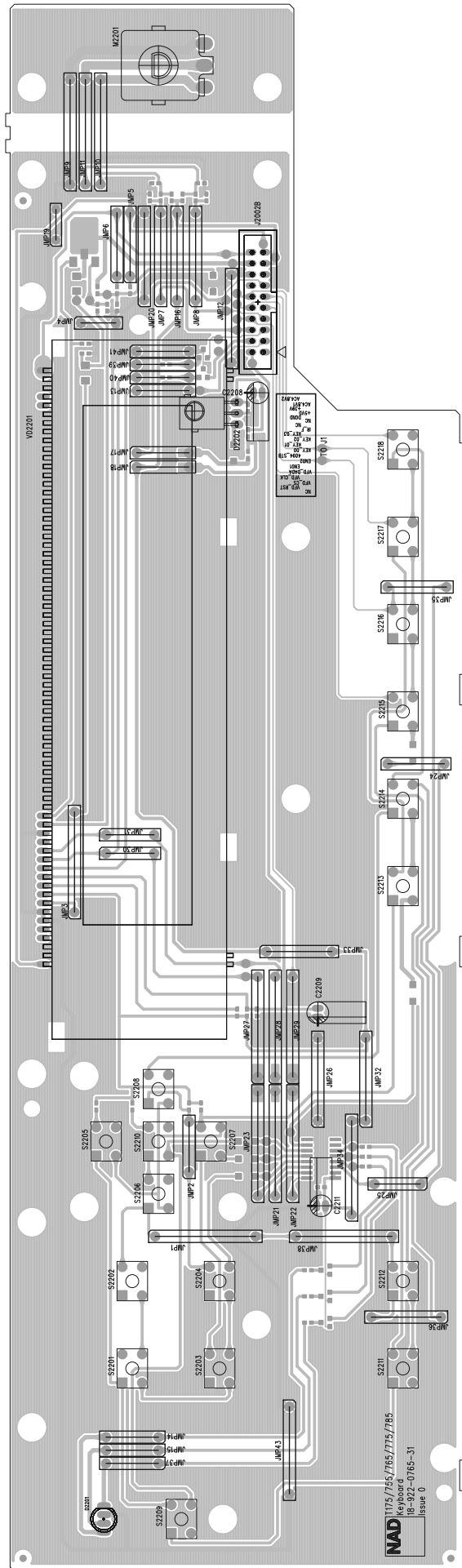


DSP BOARD - COMPONENT SIDE

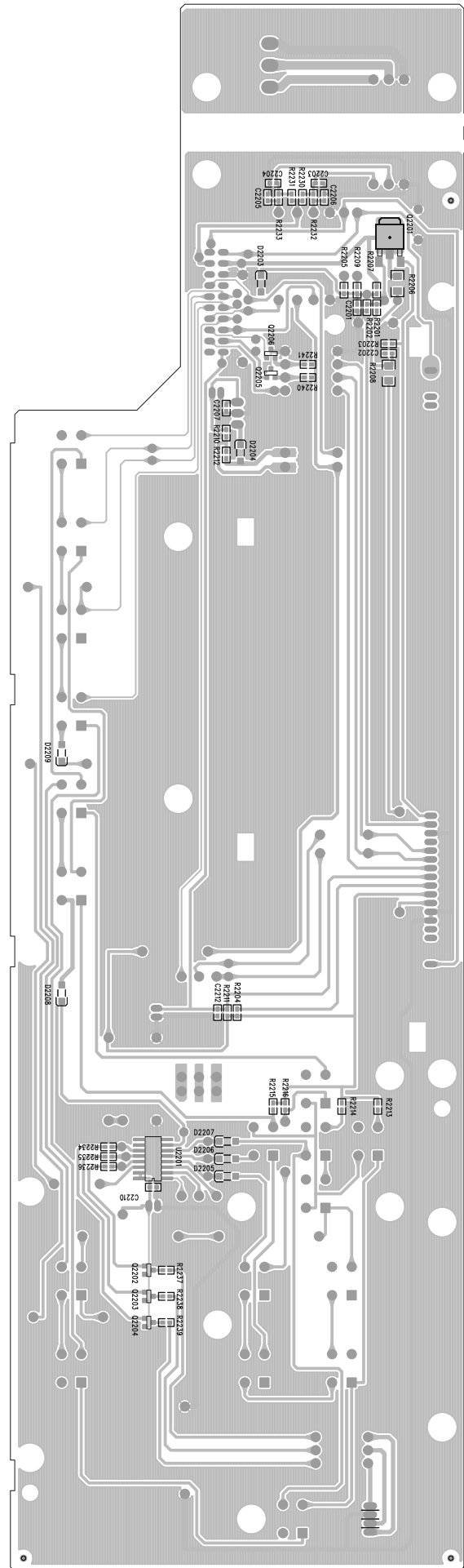


NAD
 DSP
 1175/1775/1785
 18-918-0775-74
 ISSUE 0

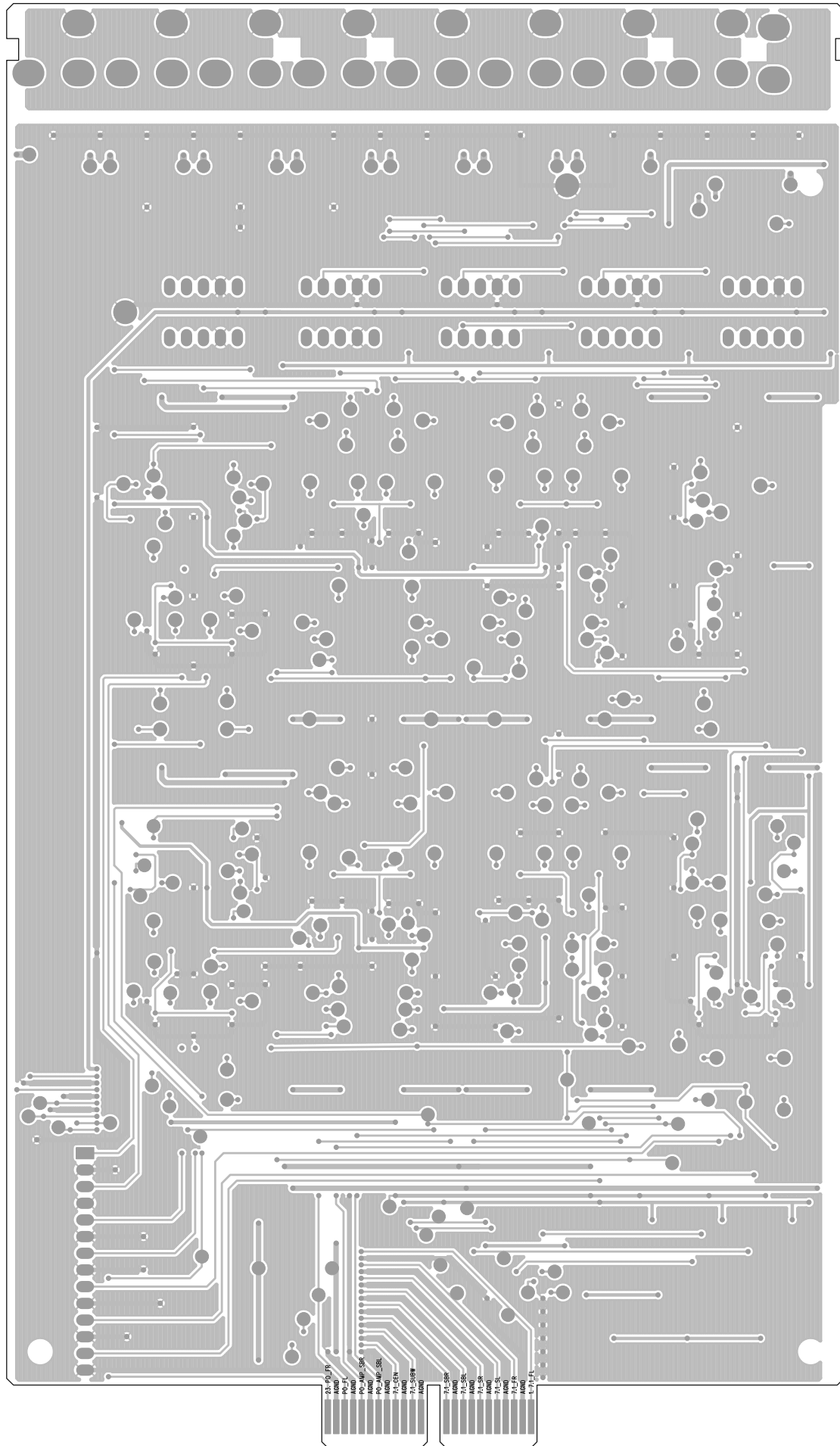
KEY BOARD - COMPONENT SIDE



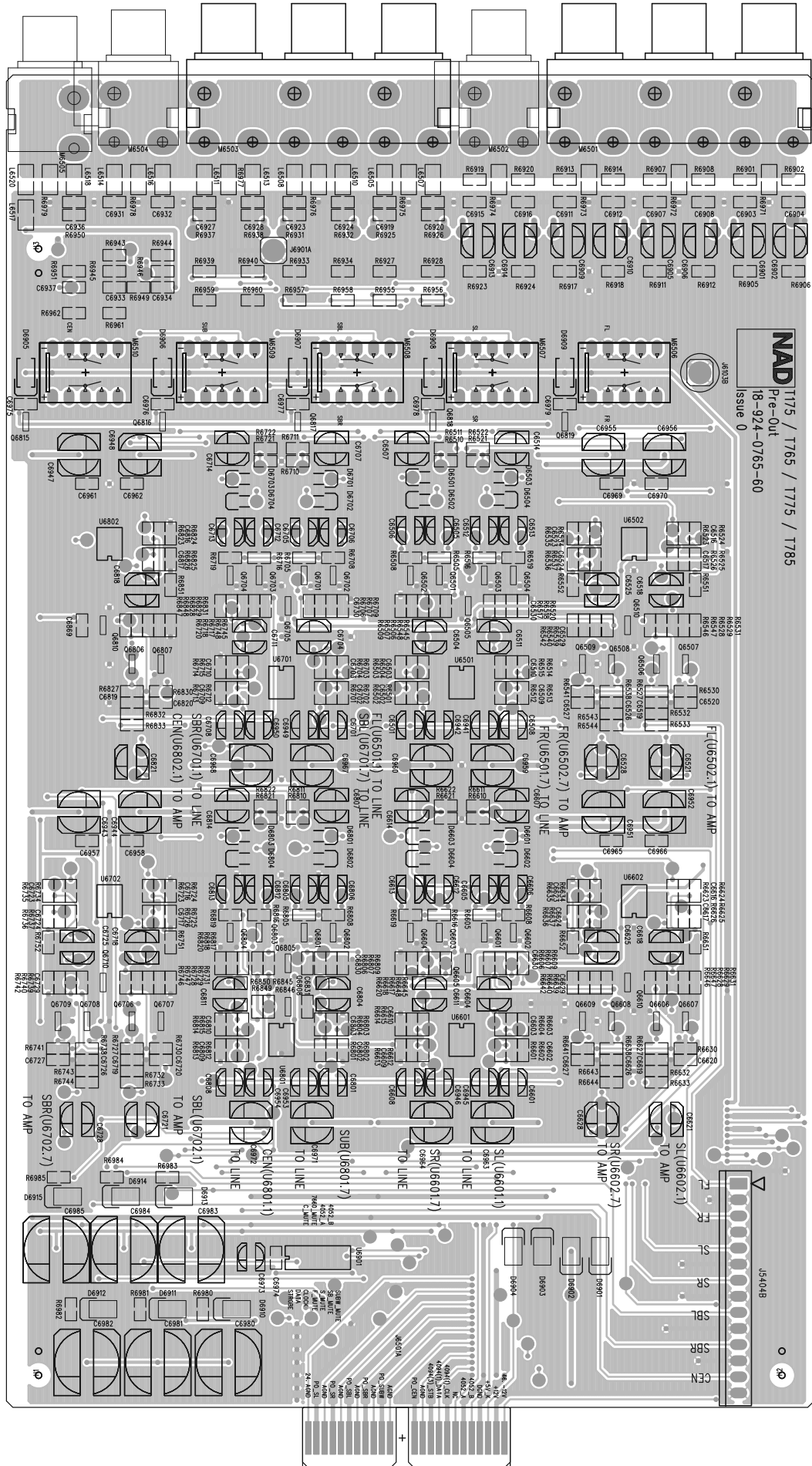
KEY BOARD - COPPER SIDE



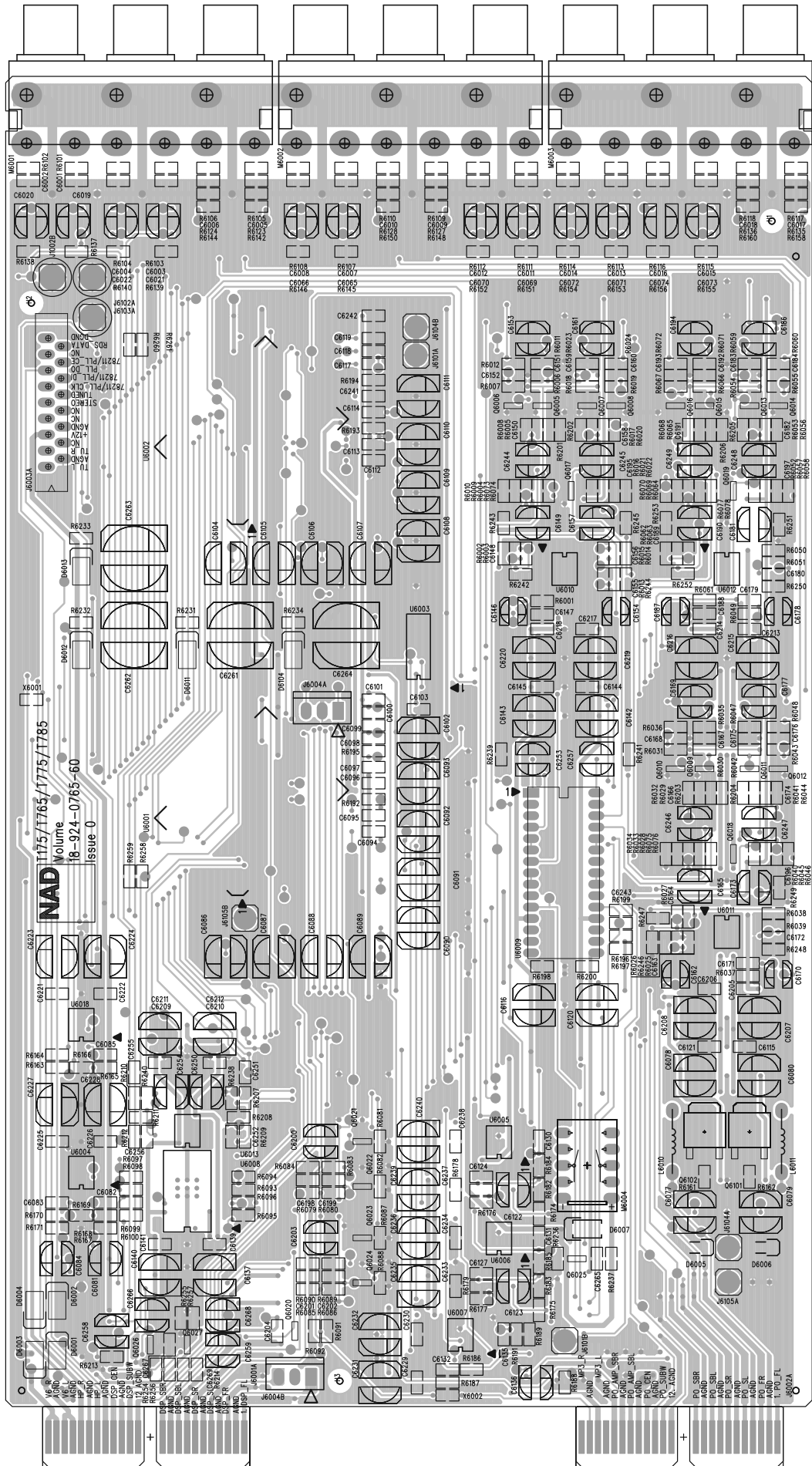
PRE-OUT BOARD- COPPER SIDE



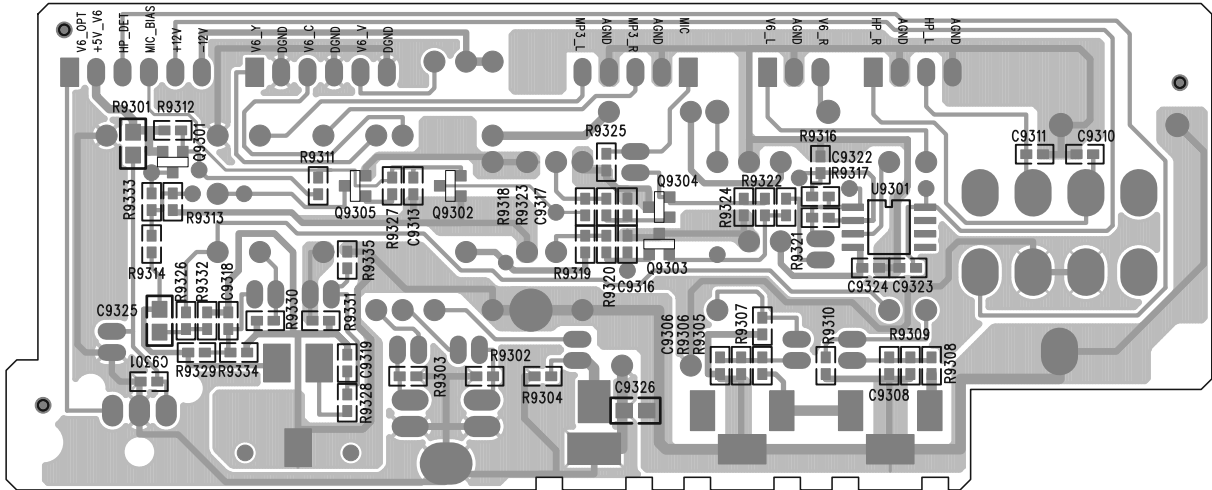
PRE-OUT BOARD-COMPONENT SIDE



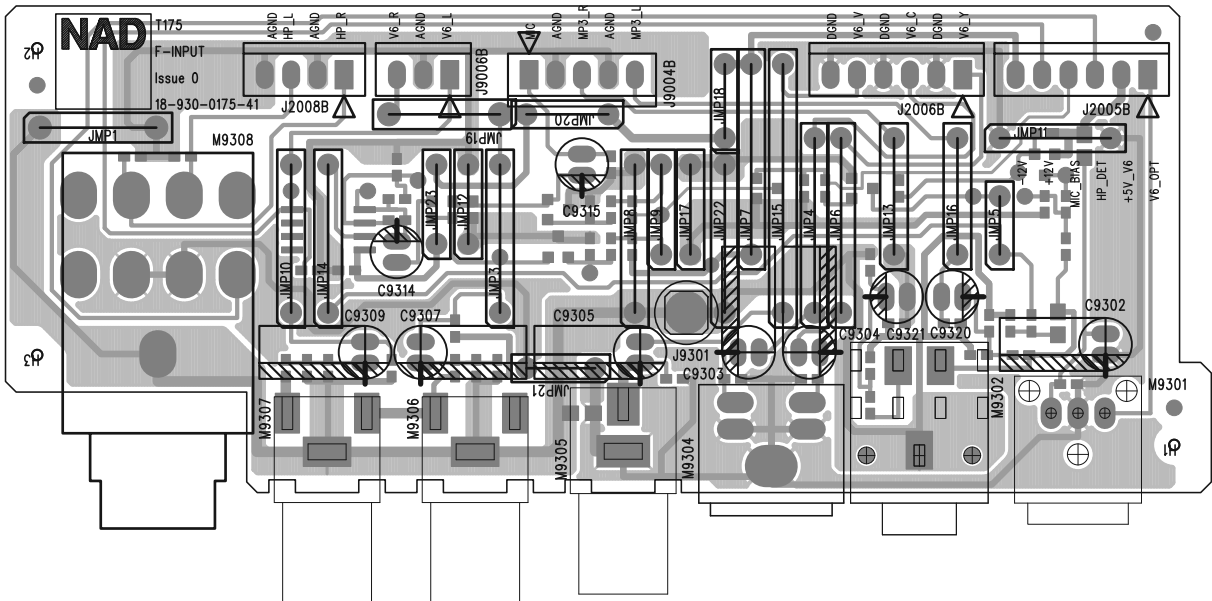
VOLUME BOARD - COMPONENT SIDE



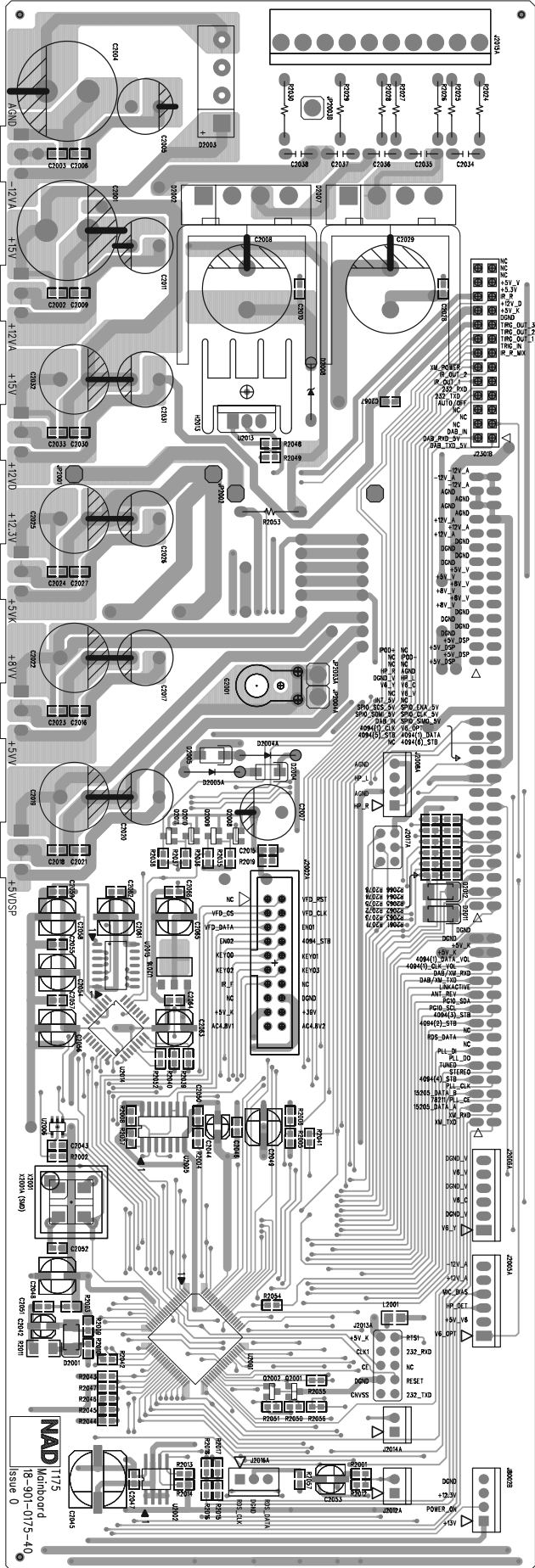
F-VIDEO BOARD - COPPER SIDE



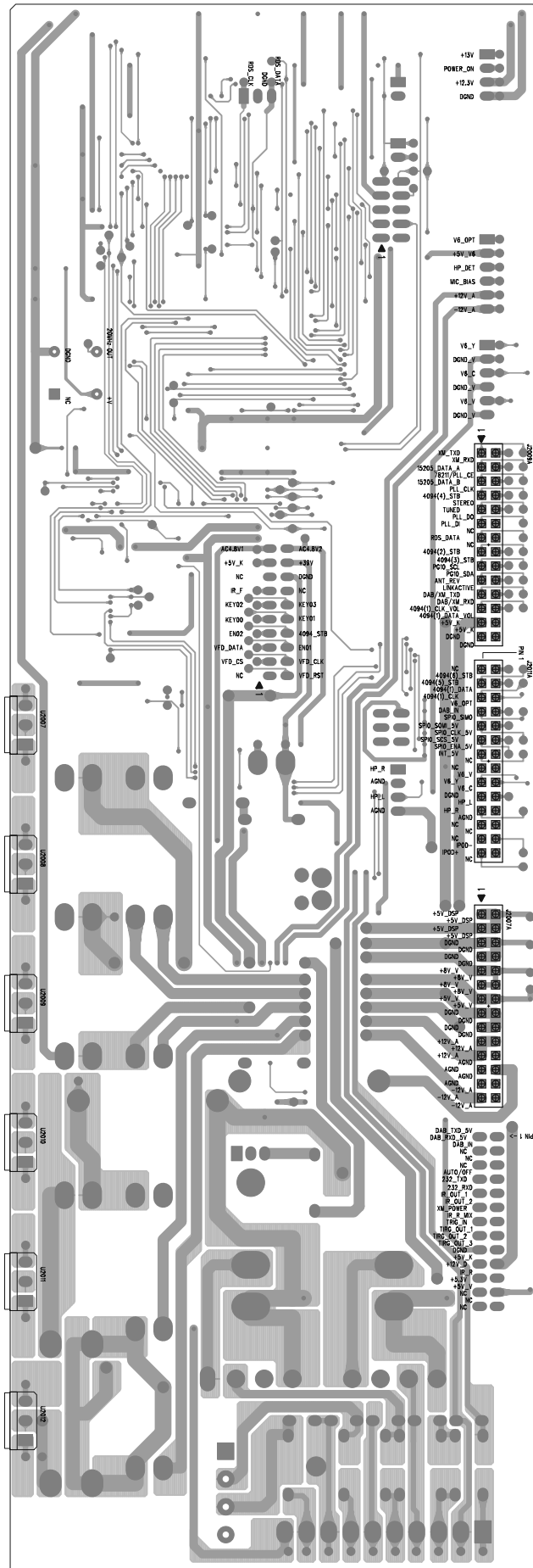
F-VIDEO BOARD - COMPONENT SIDE



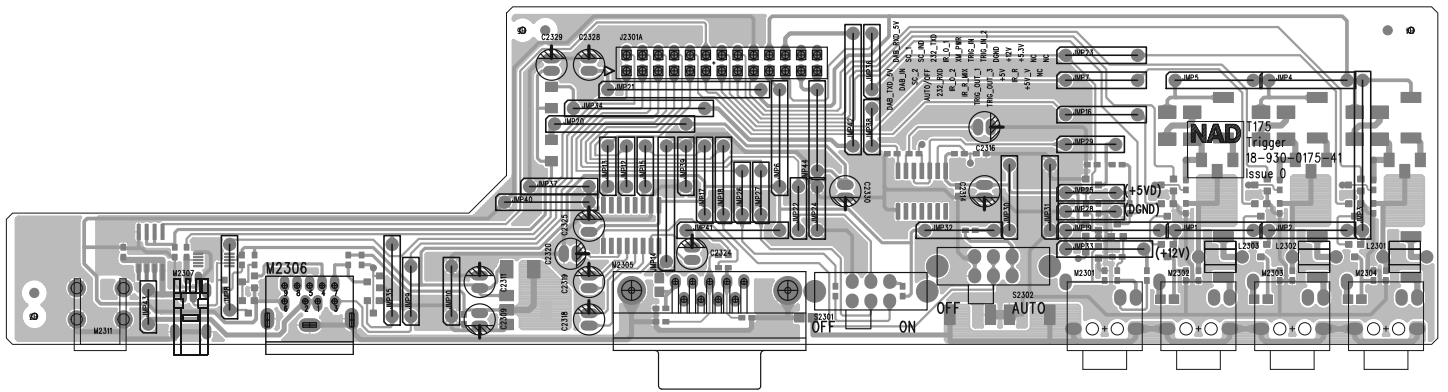
MAIN BOARD -COMPONENT SIDE



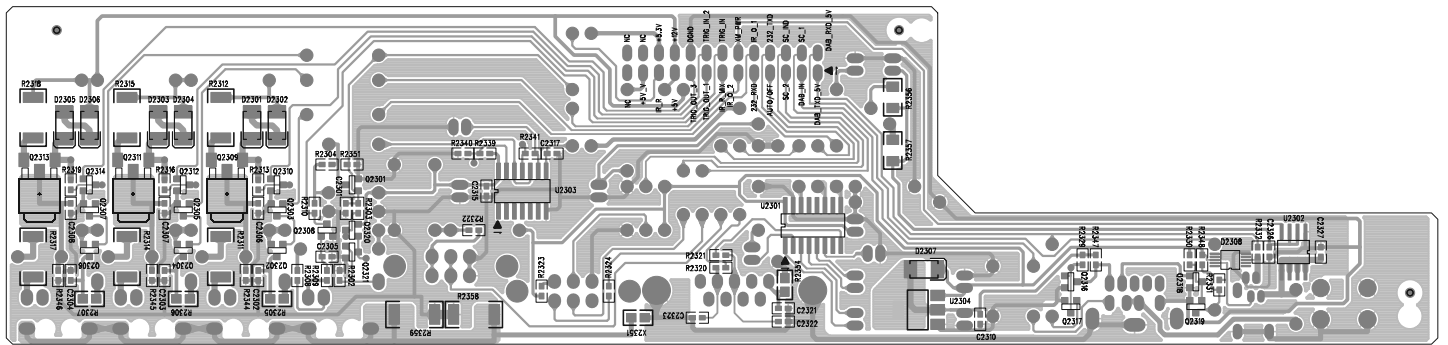
MAIN BOARD -COPPER SIDE



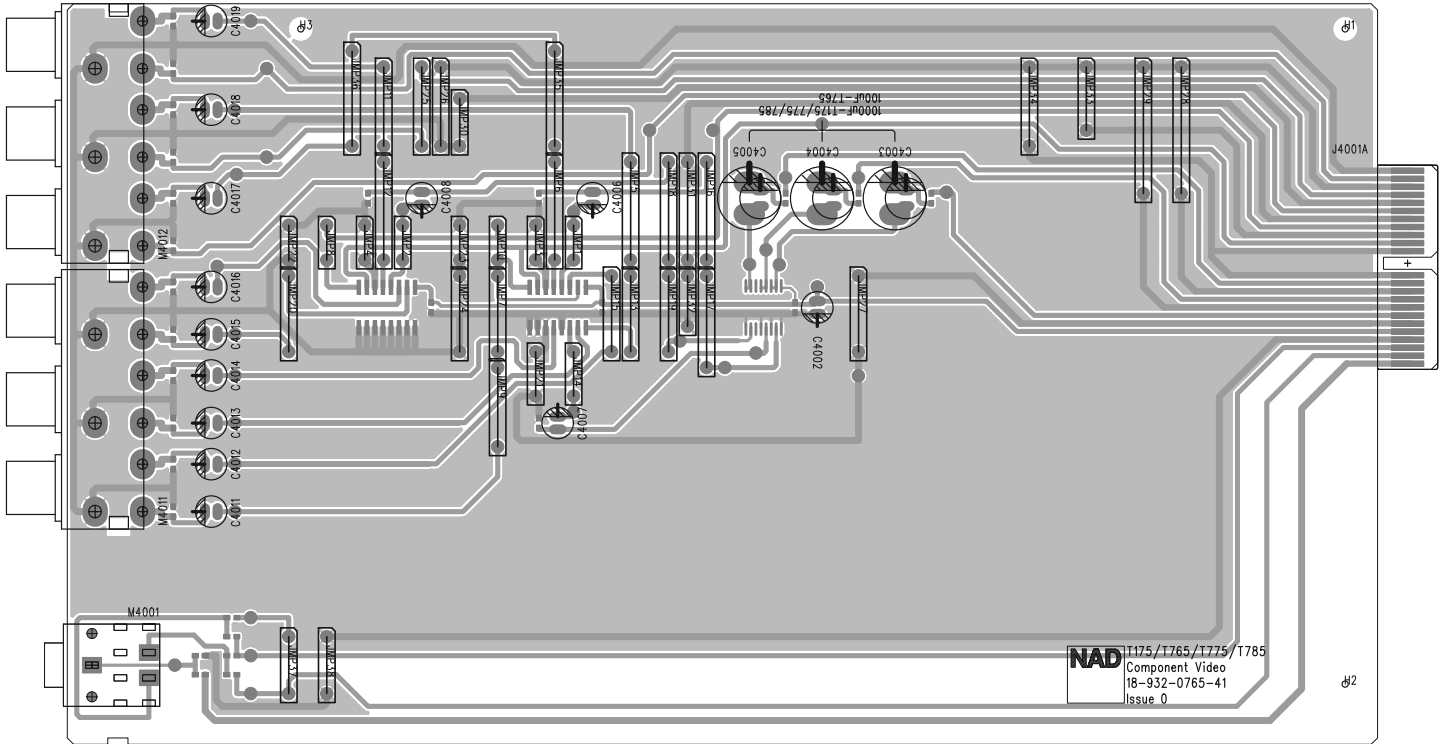
TRIGGER BOARD - COMPONENT SIDE



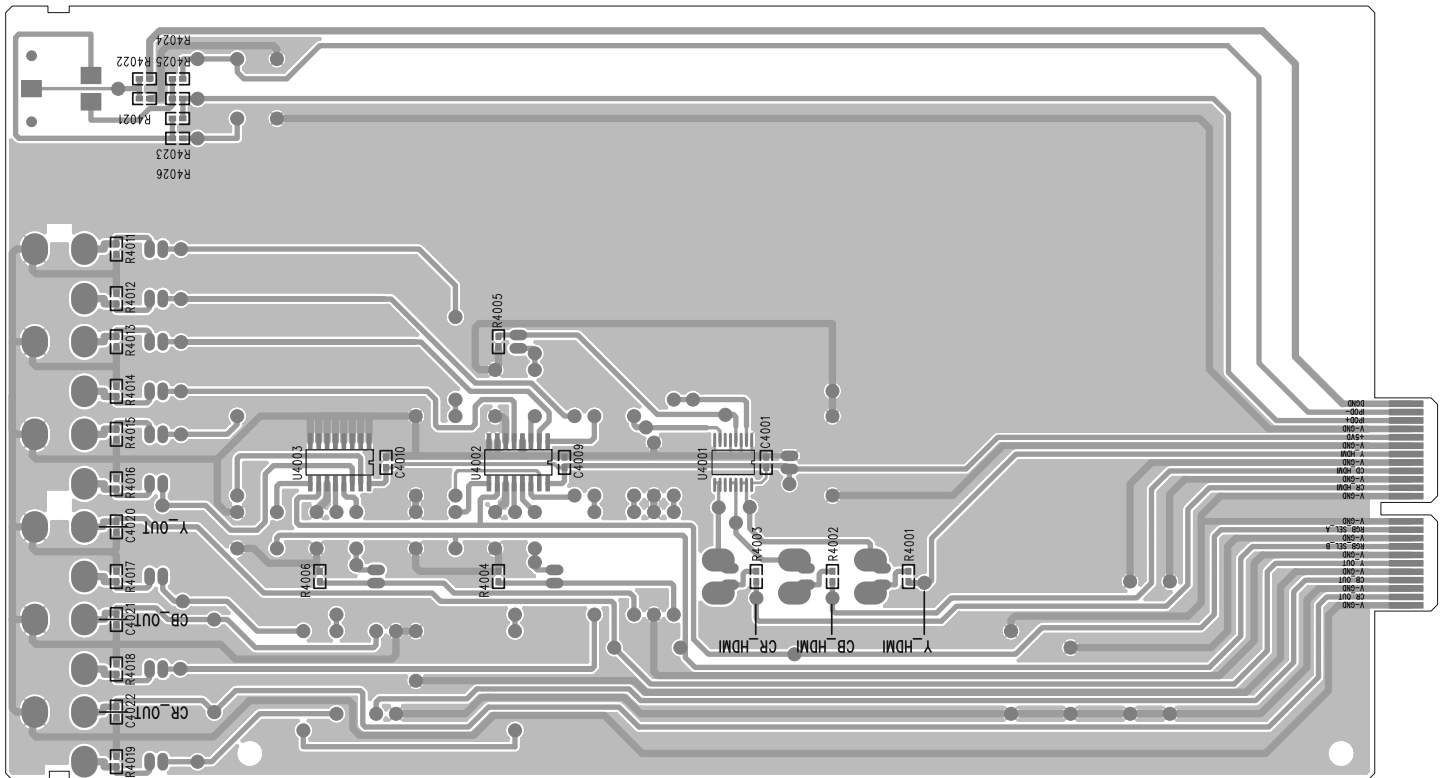
TRIGGER BOARD - COPPER SIDE



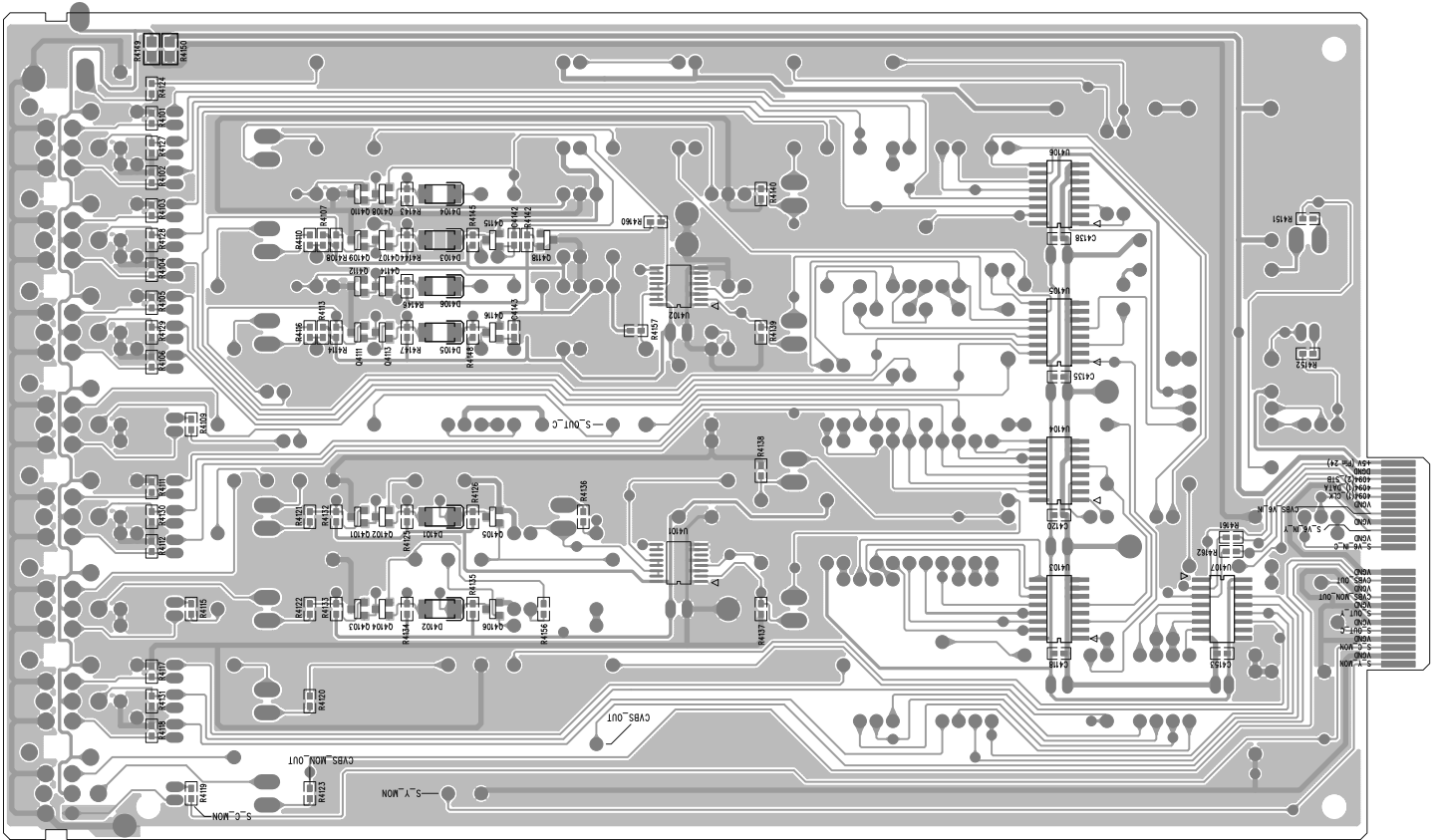
COMPONENT BOARD-COMPONENT SIDE



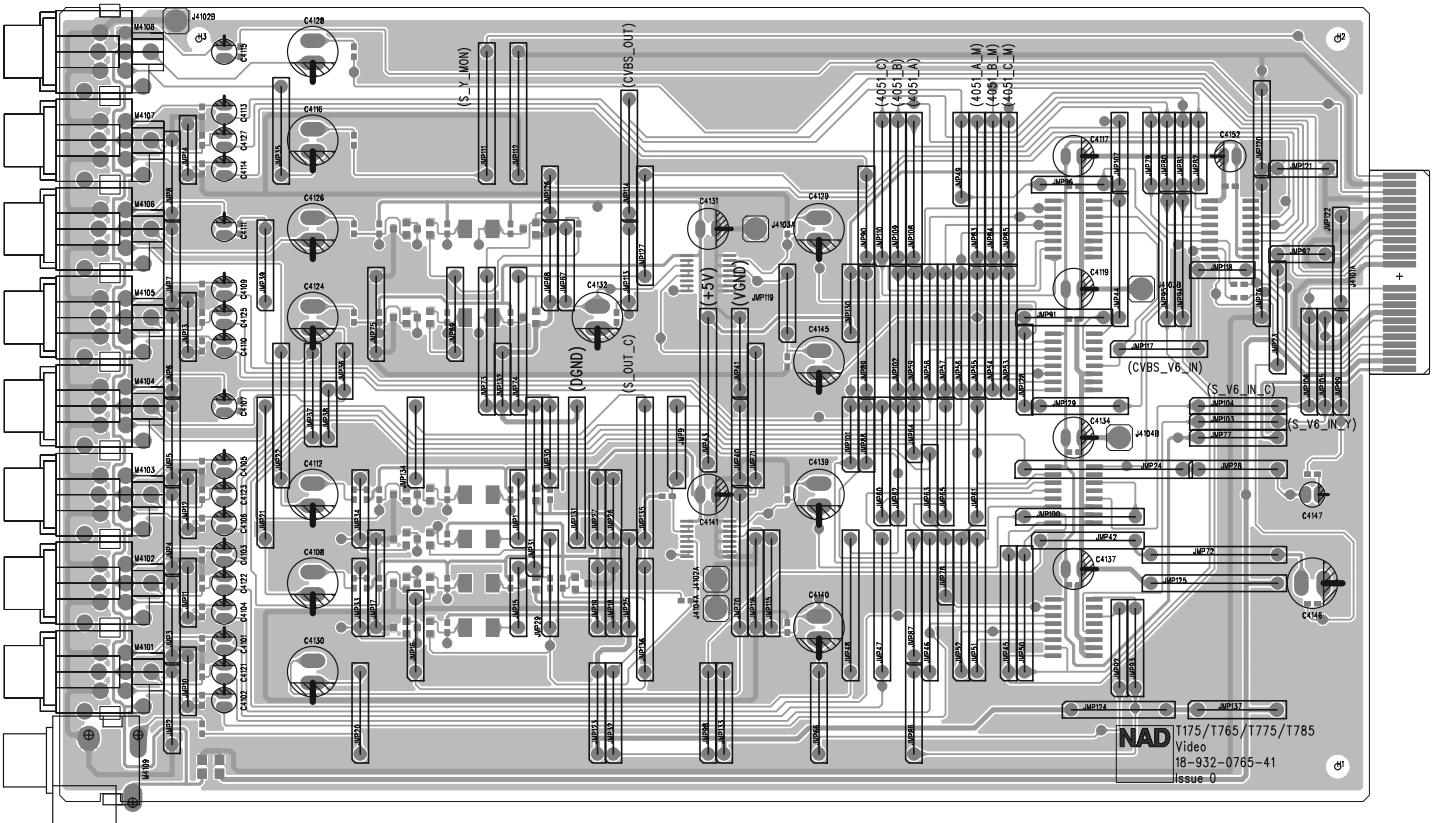
COMPONENT BOARD-COPPER SIDE



VIDEO BOARD - COPPER SIDE

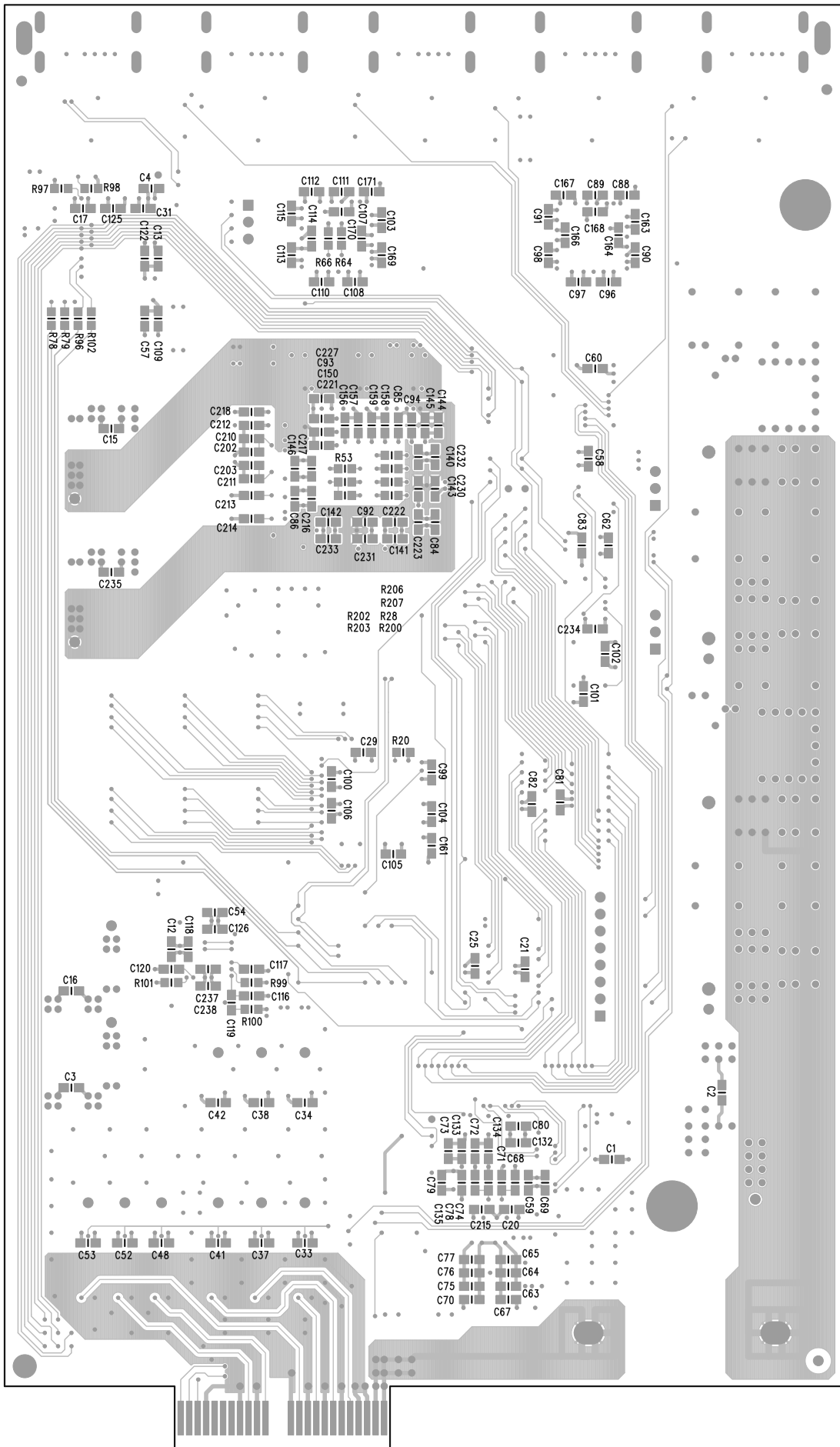


VIDEO BOARD - COMPONENT SIDE

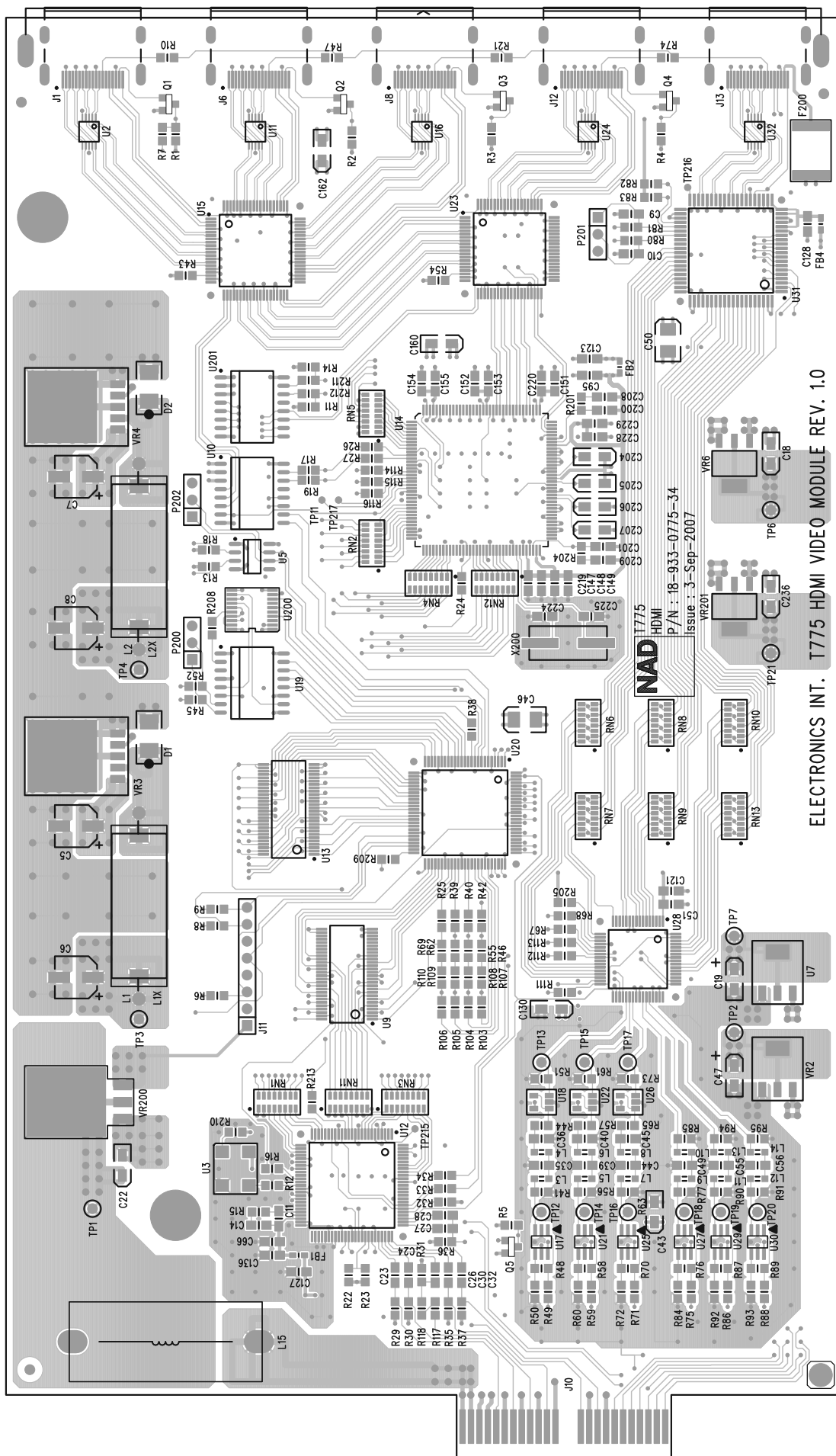


NAD 1175/1765/1775/1785
Video
18-932-0765-41
Issue 0

HDMI BOARD-COPPER SIDE



HDMI BOARD-COMPONENT SIDE

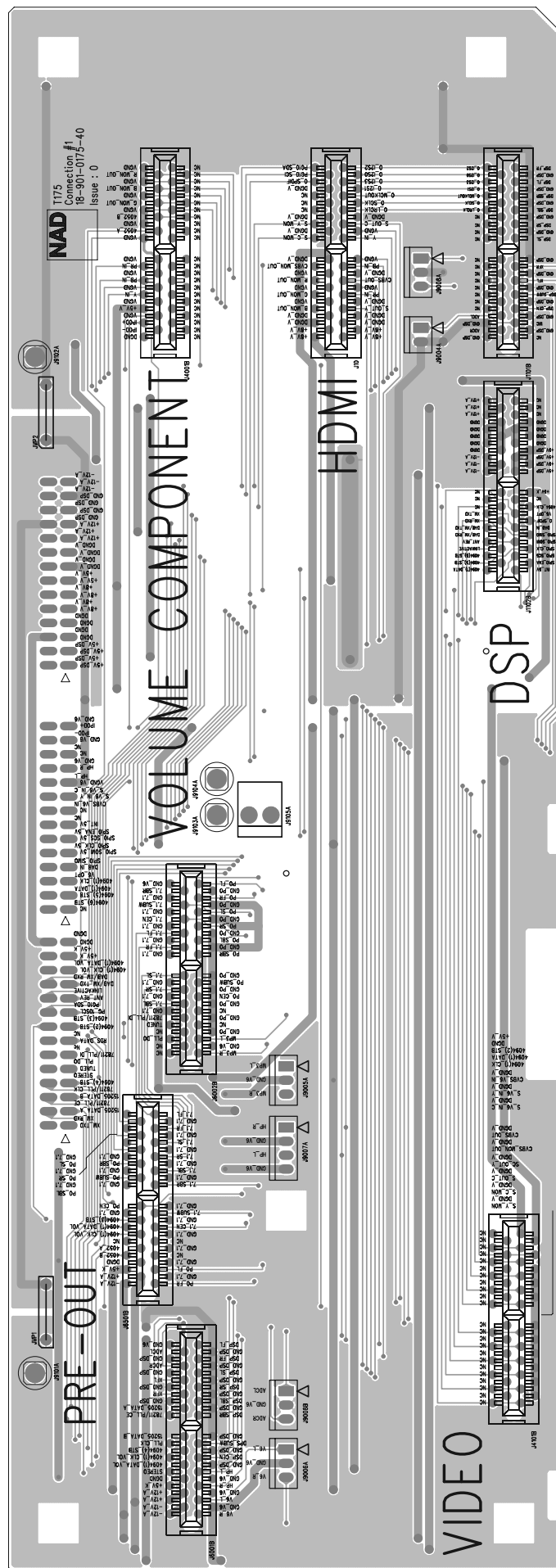


NAD
HDMI
T775

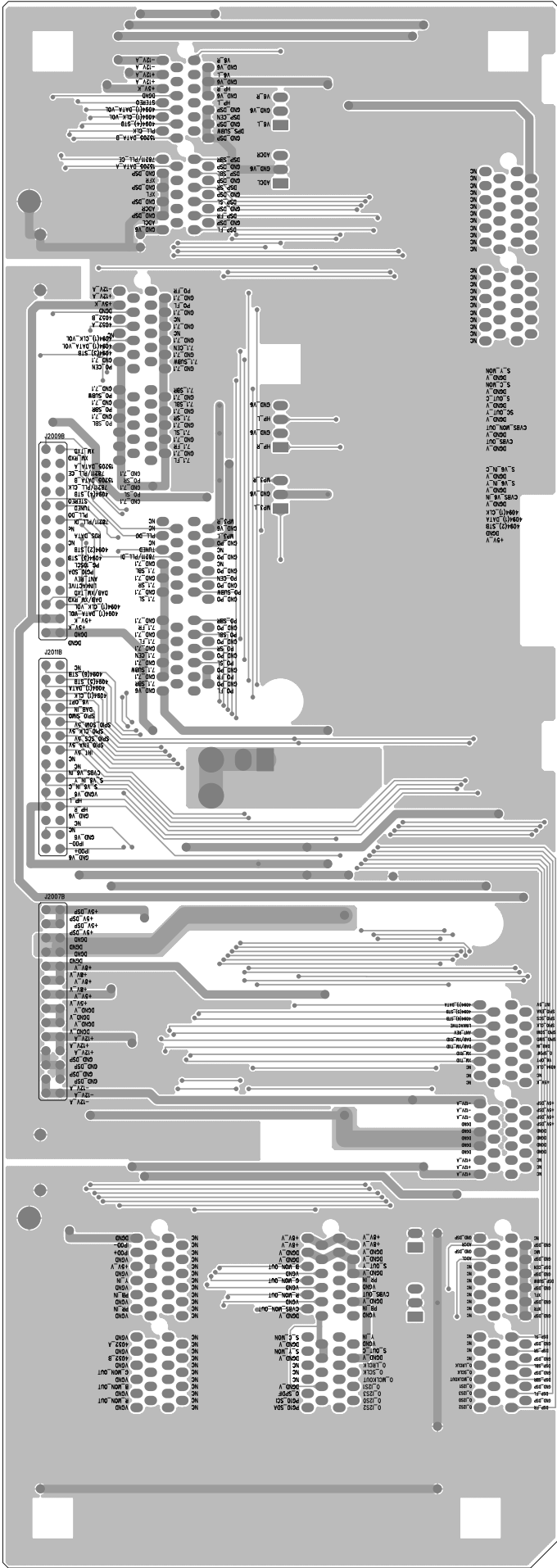
P/N : 18-933-0775-34
Issue : 3-Sep-2007

ELECTRONICS INT. T775 HDMI VIDEO MODULE REV. 1.0

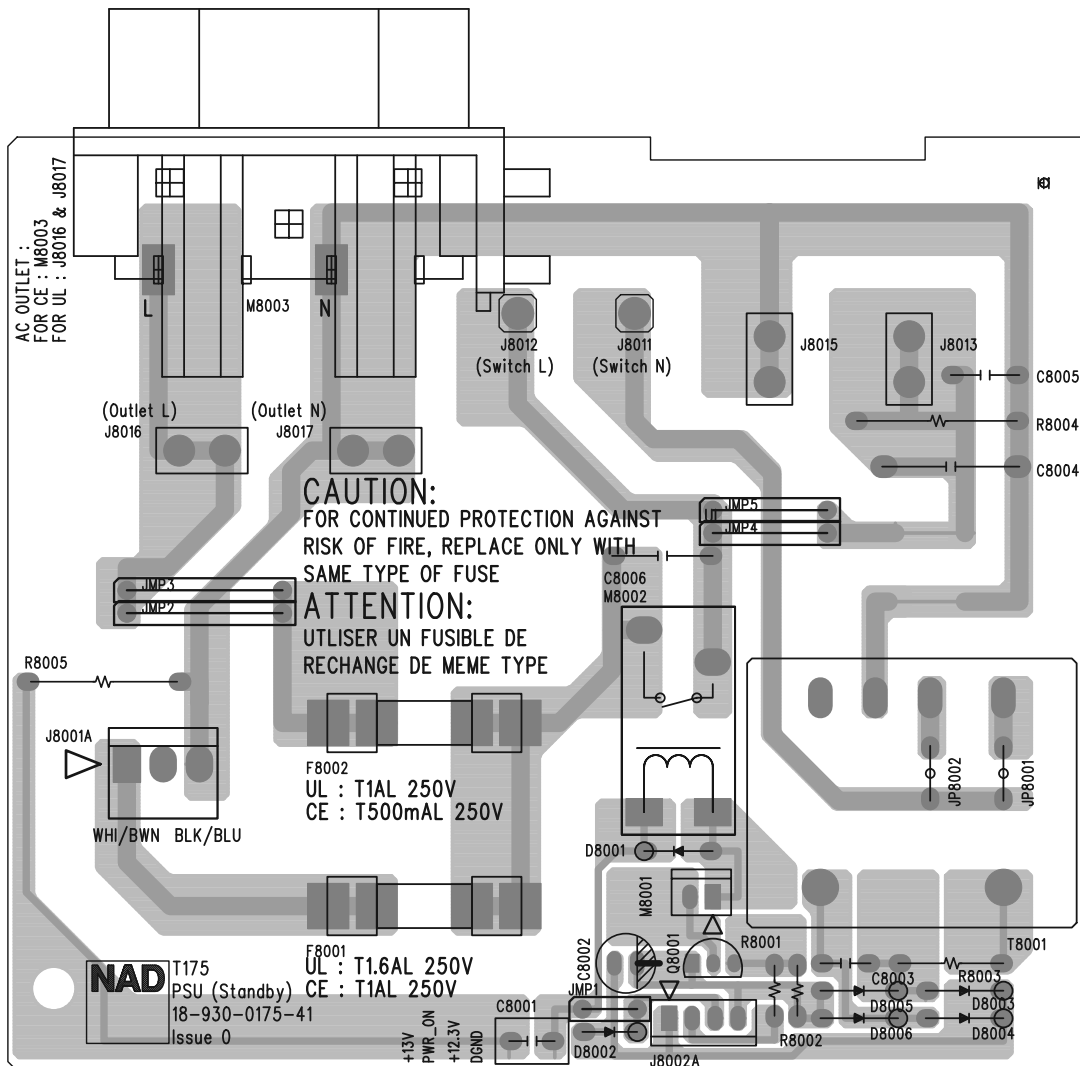
CONNECTOR 1 BOARD-COMPONENT SIDE



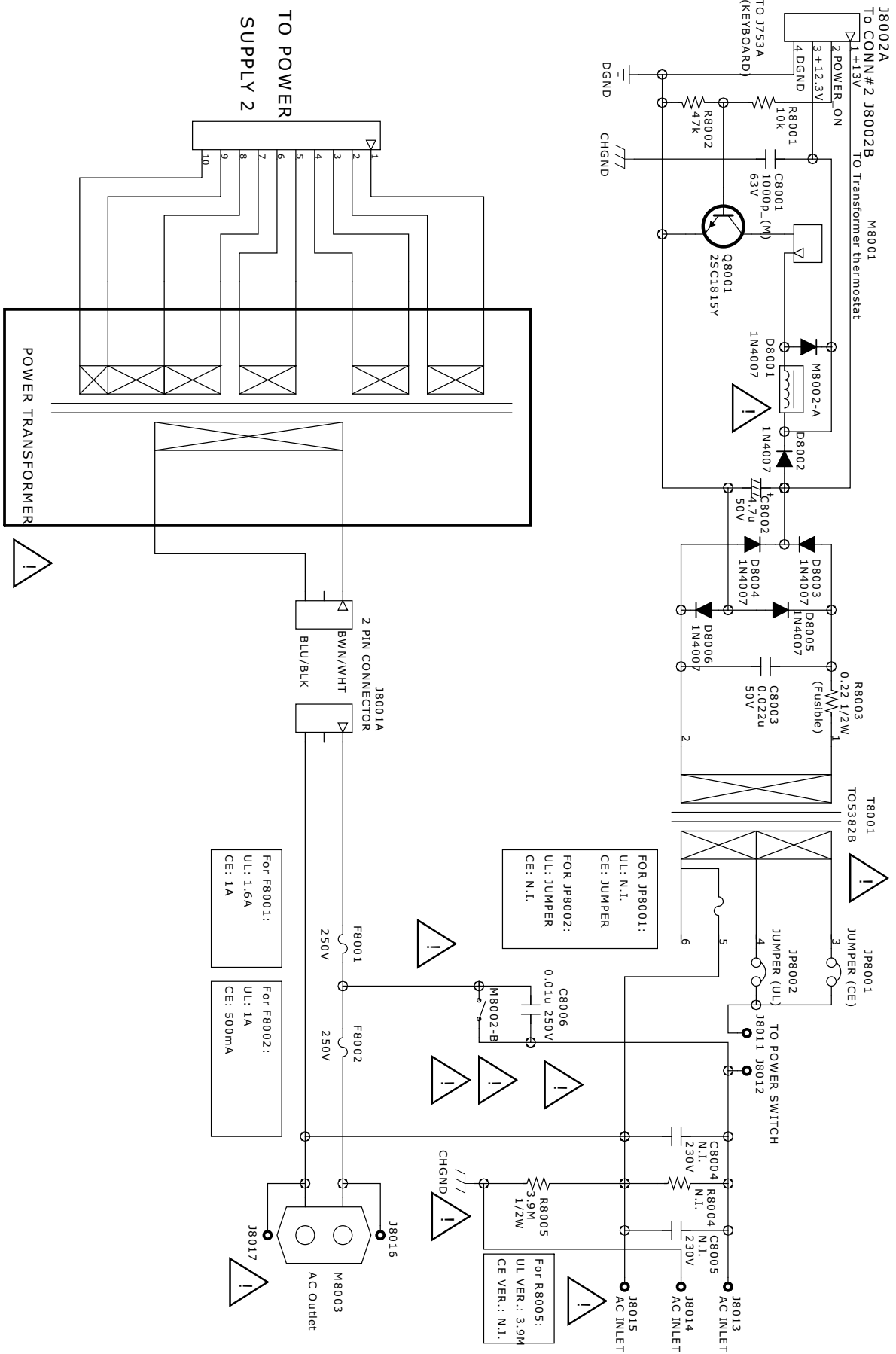
CONNECTOR 1 BOARD-COPPER SIDE



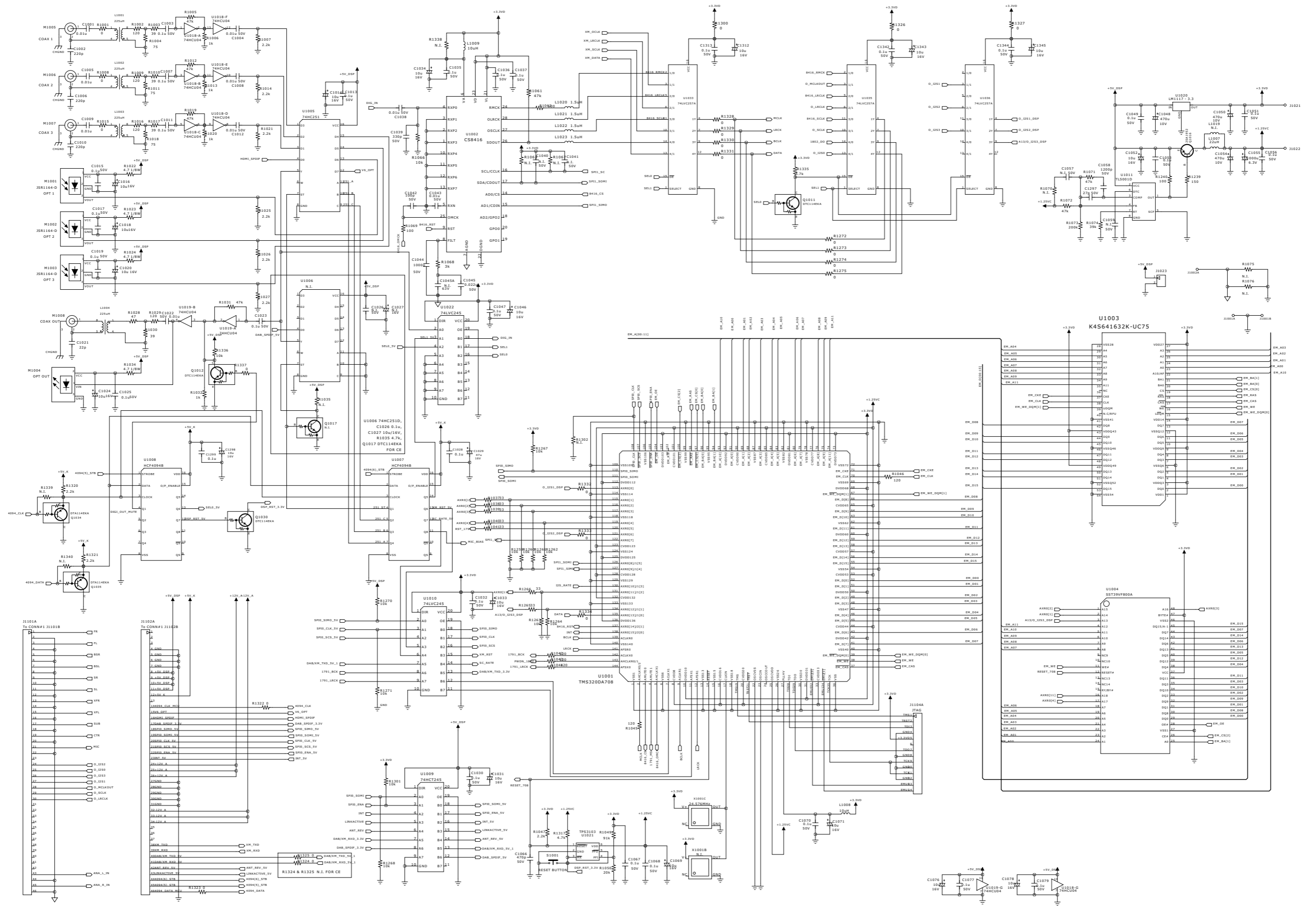
PSU-STD BOARD-COMPONENT SIDE



SCHEMATIC DIAGRAM POWER SUPPLY(STAND BY)



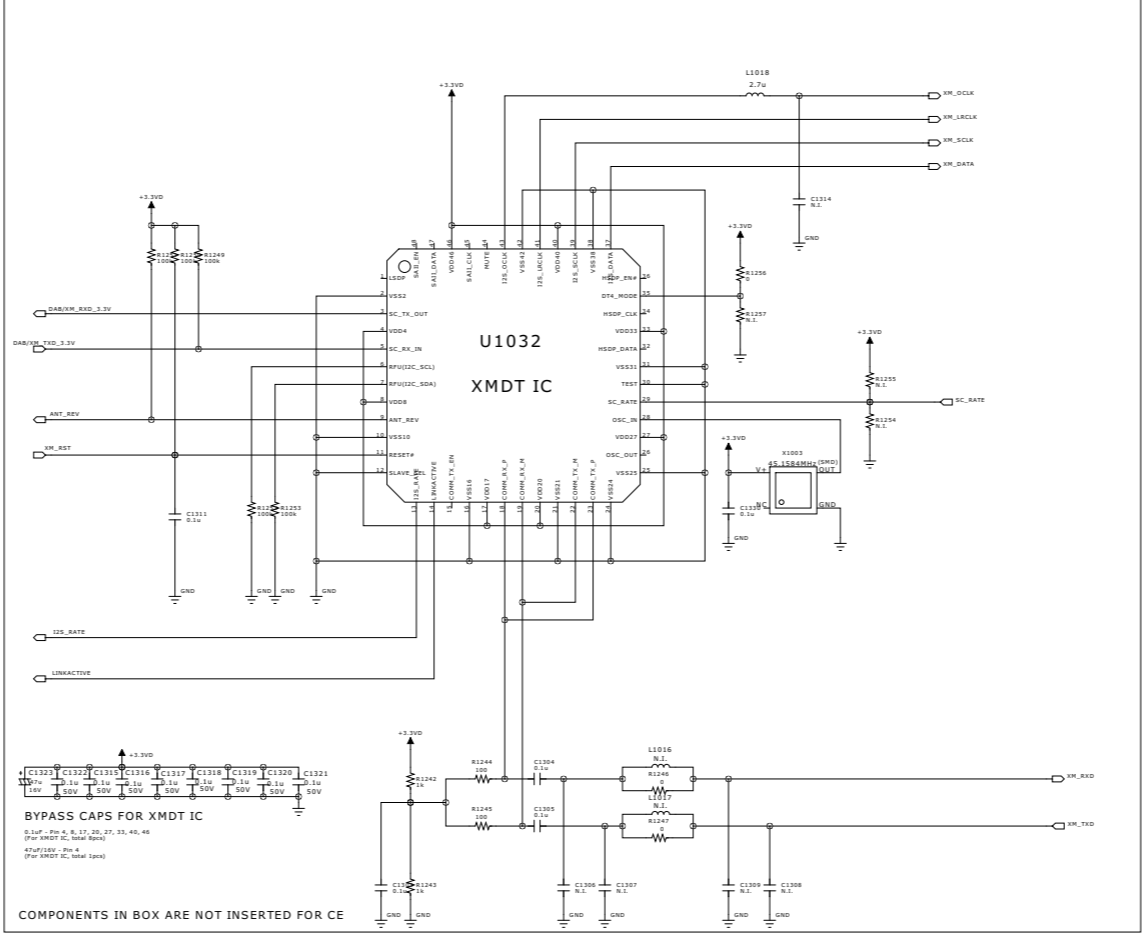
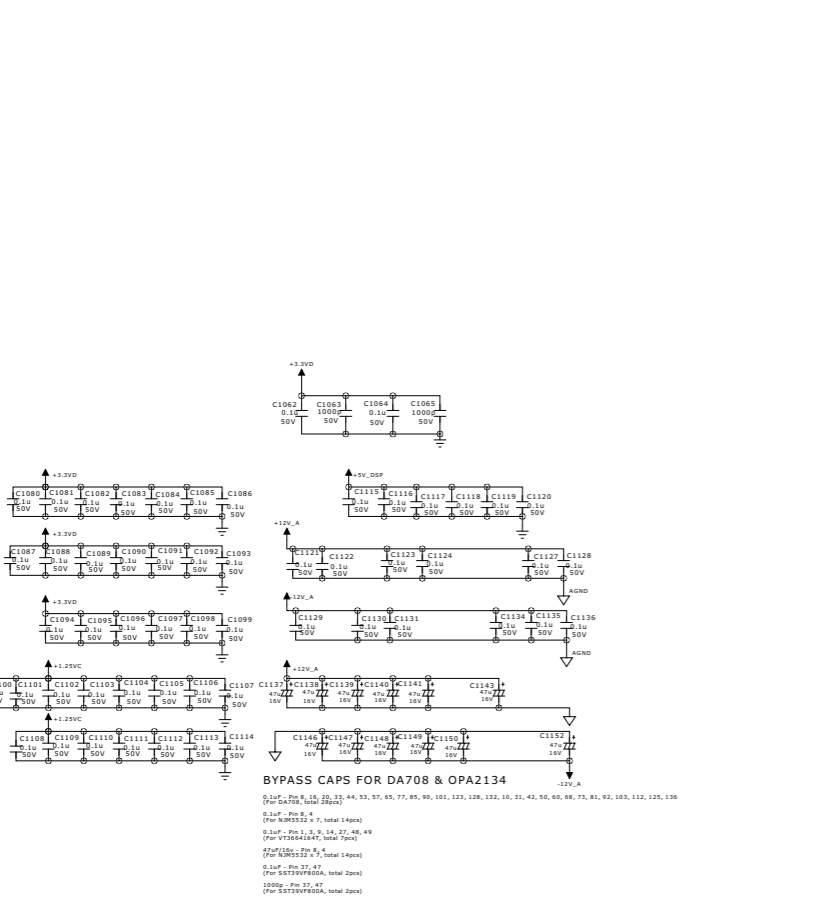
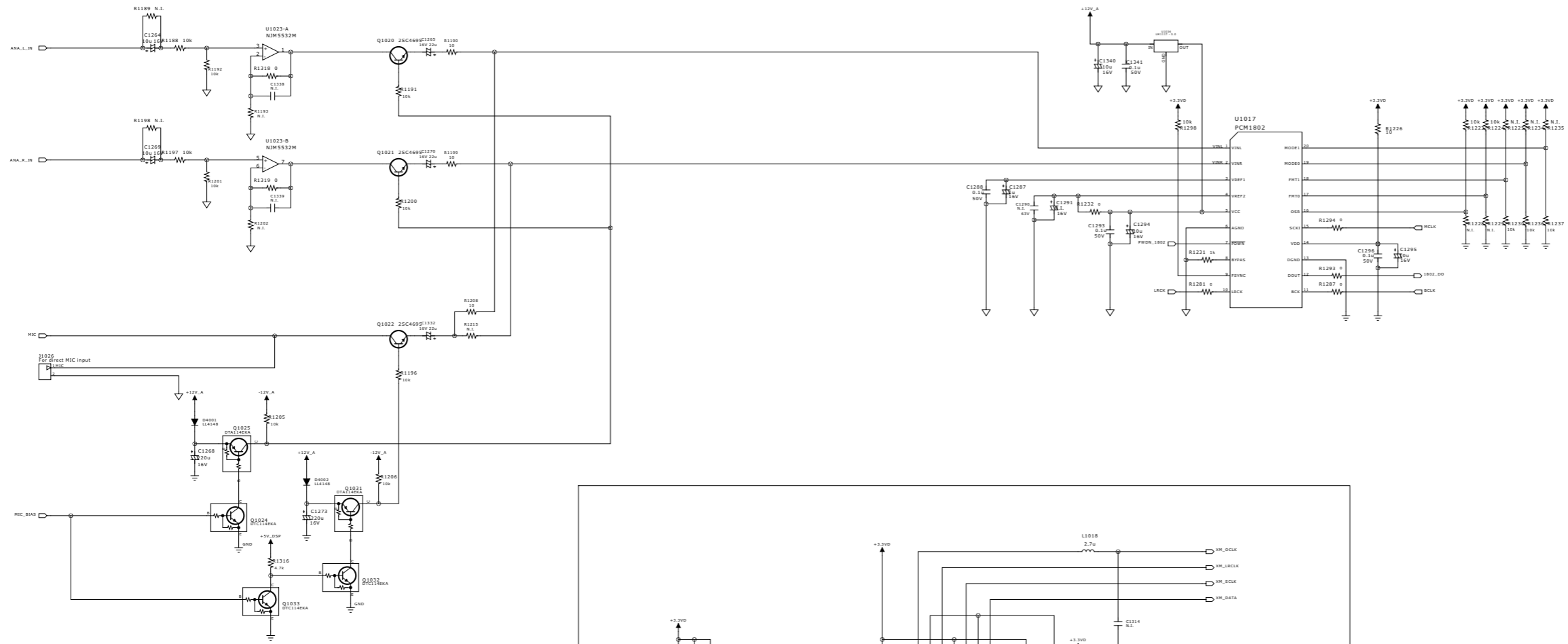
DSP-1



DSP-2

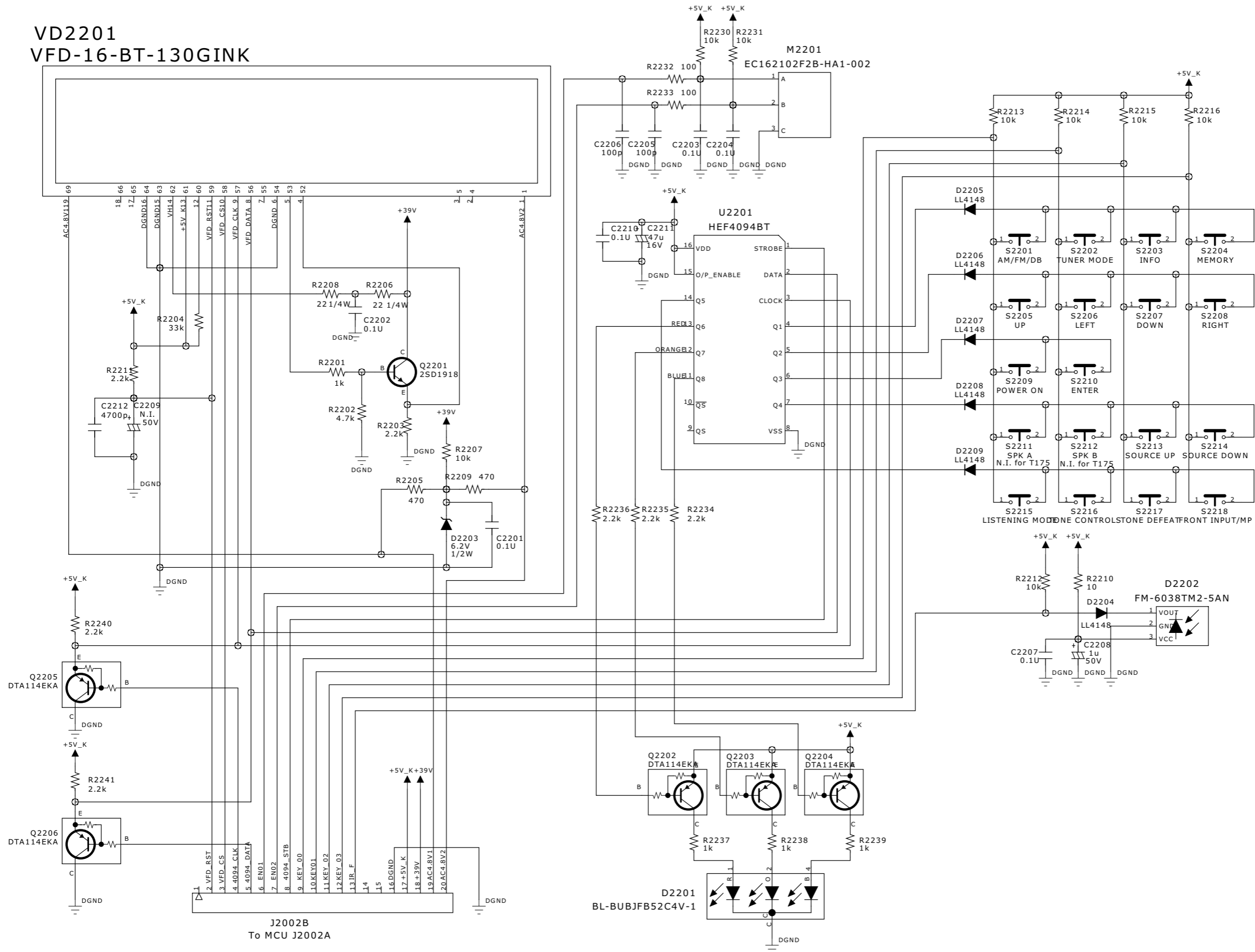


DSP-3

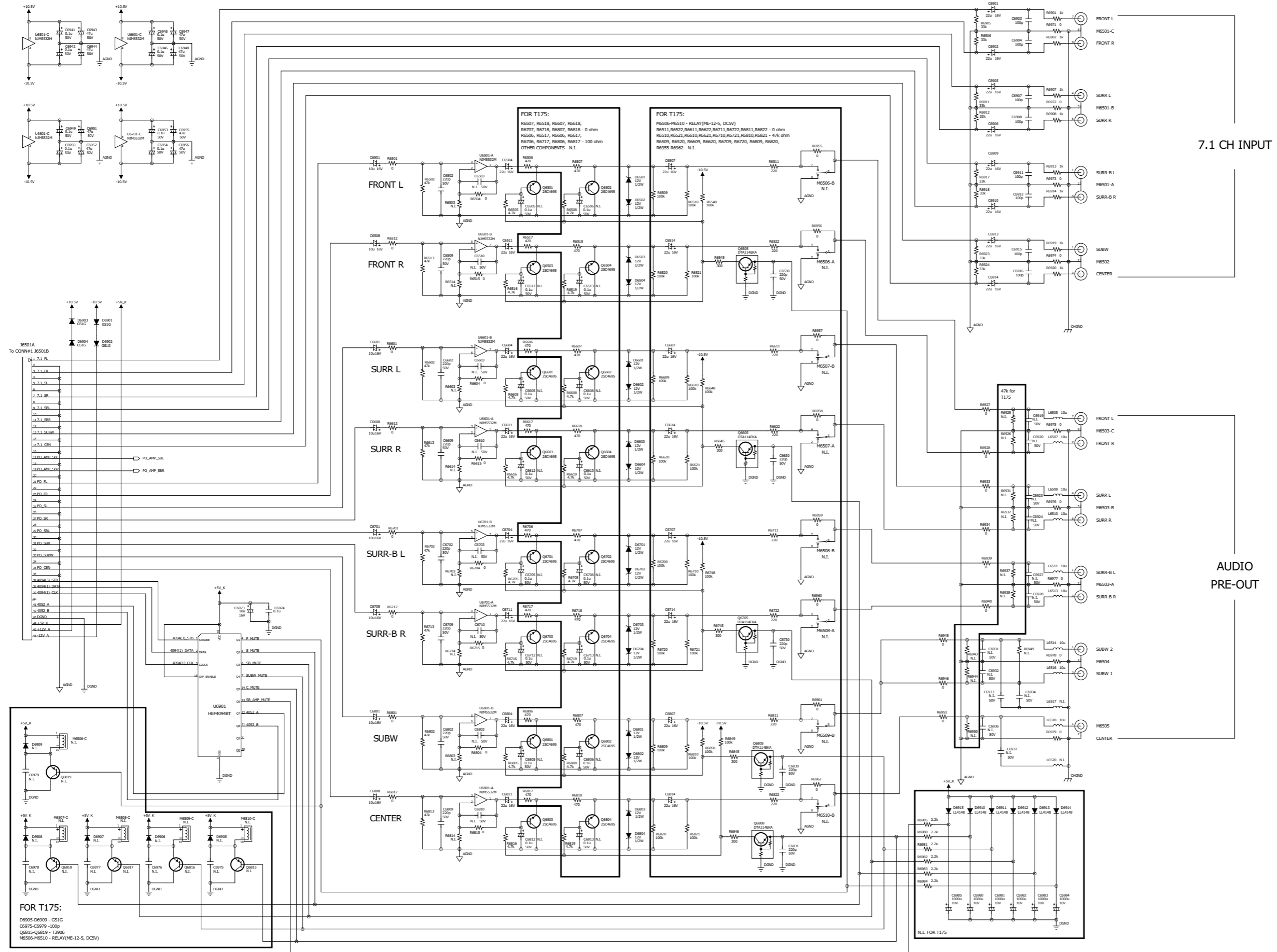


KEYBOARD

VD2201
VFD-16-BT-130GINK



PRE-OUT-1



7.1 CH INPUT

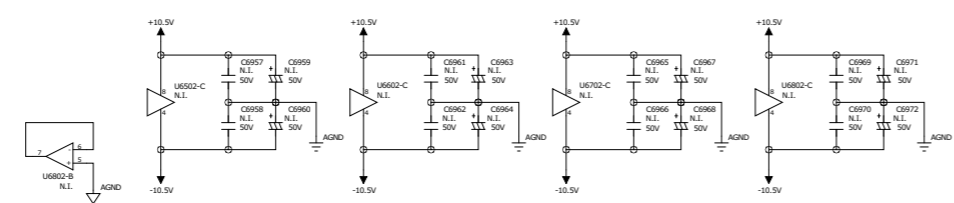
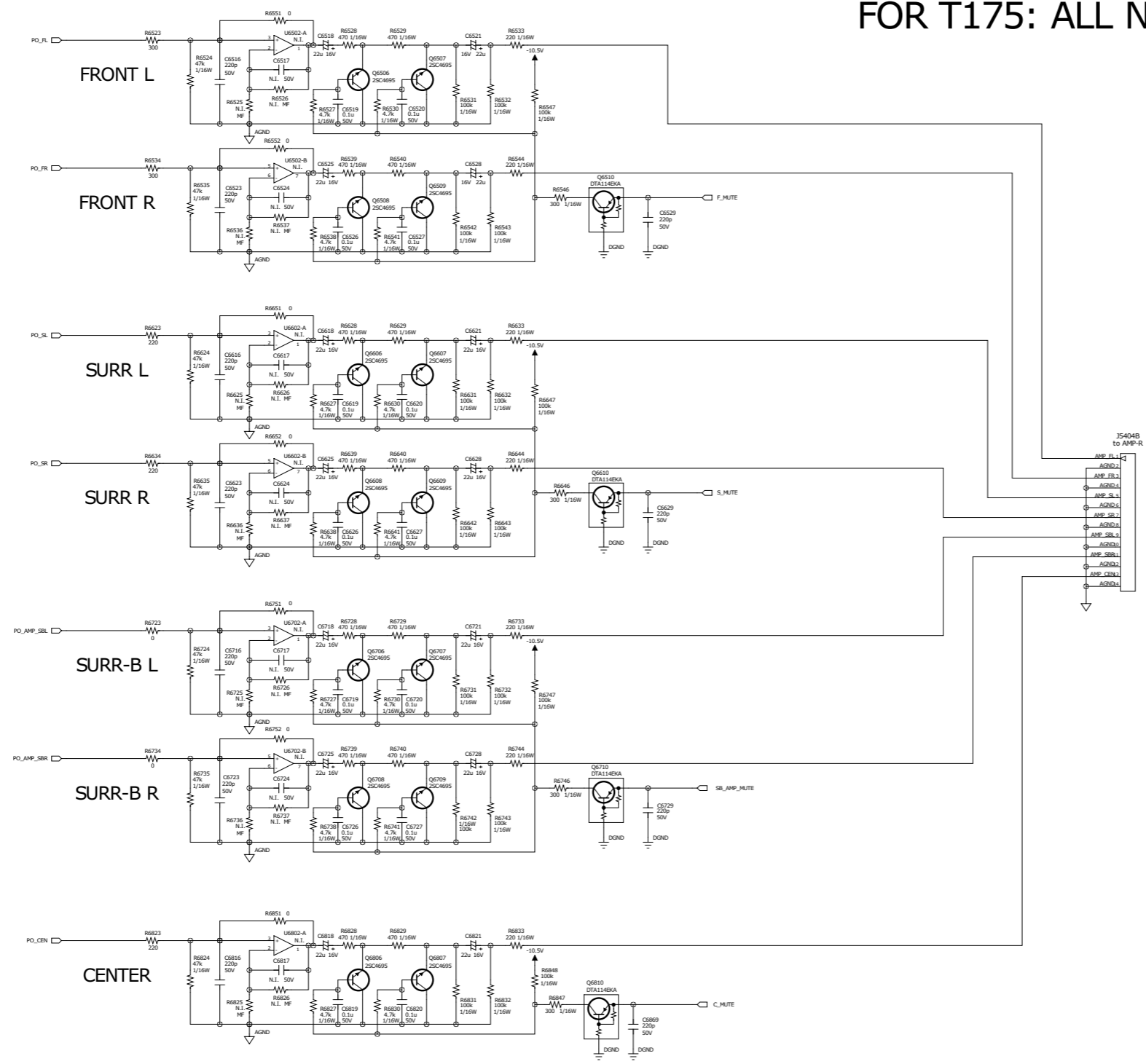
AUDIO PRE-OUT

FOR T175:
 Q6000-Q6003 - Q31G
 C6000-C6003 - 100p
 Q6004-Q6006 - T3906
 M6006-M6010 - RELAY(ME-12-S, DC5V)

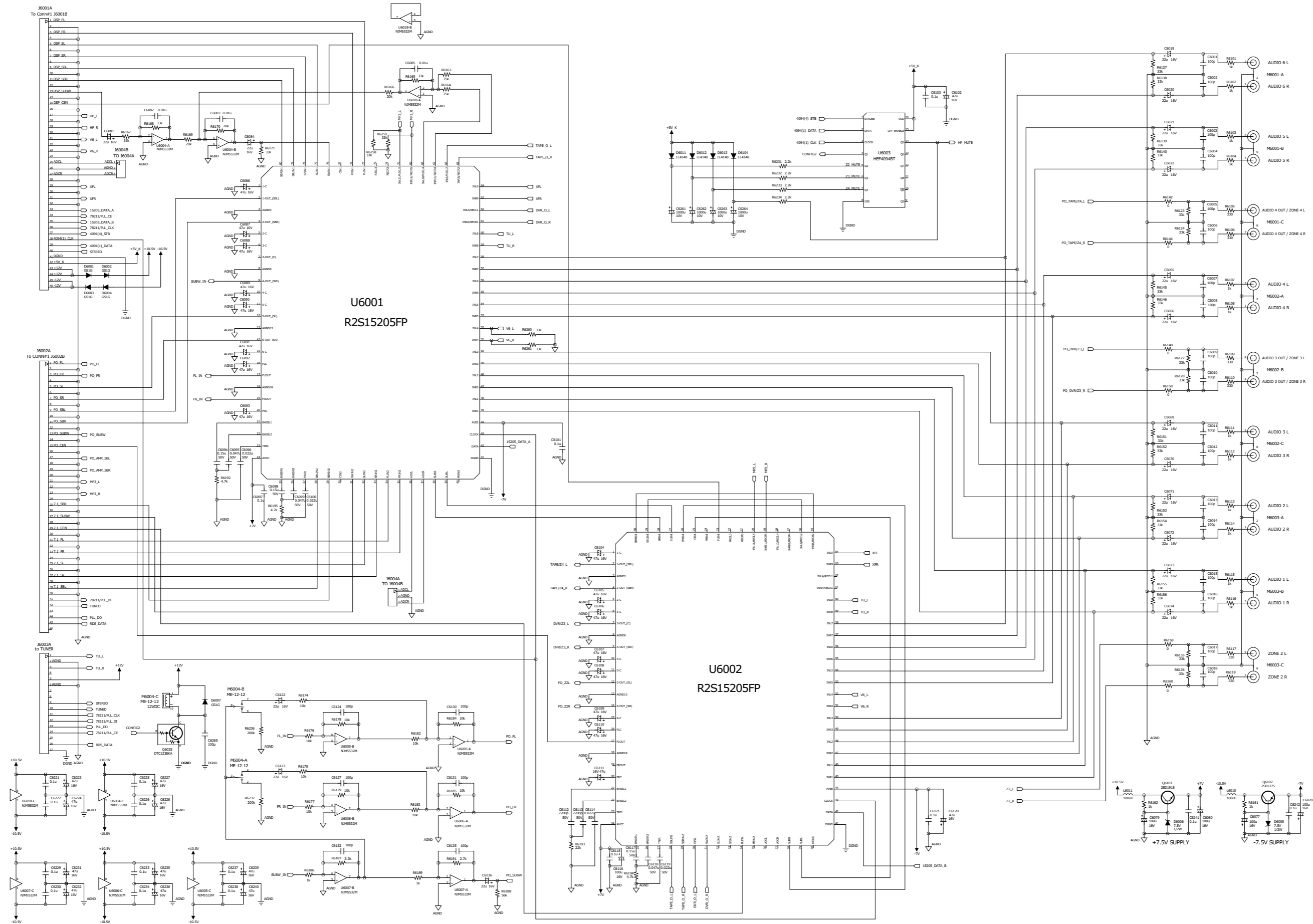
N.I. FOR T175

PRE-OUT-2

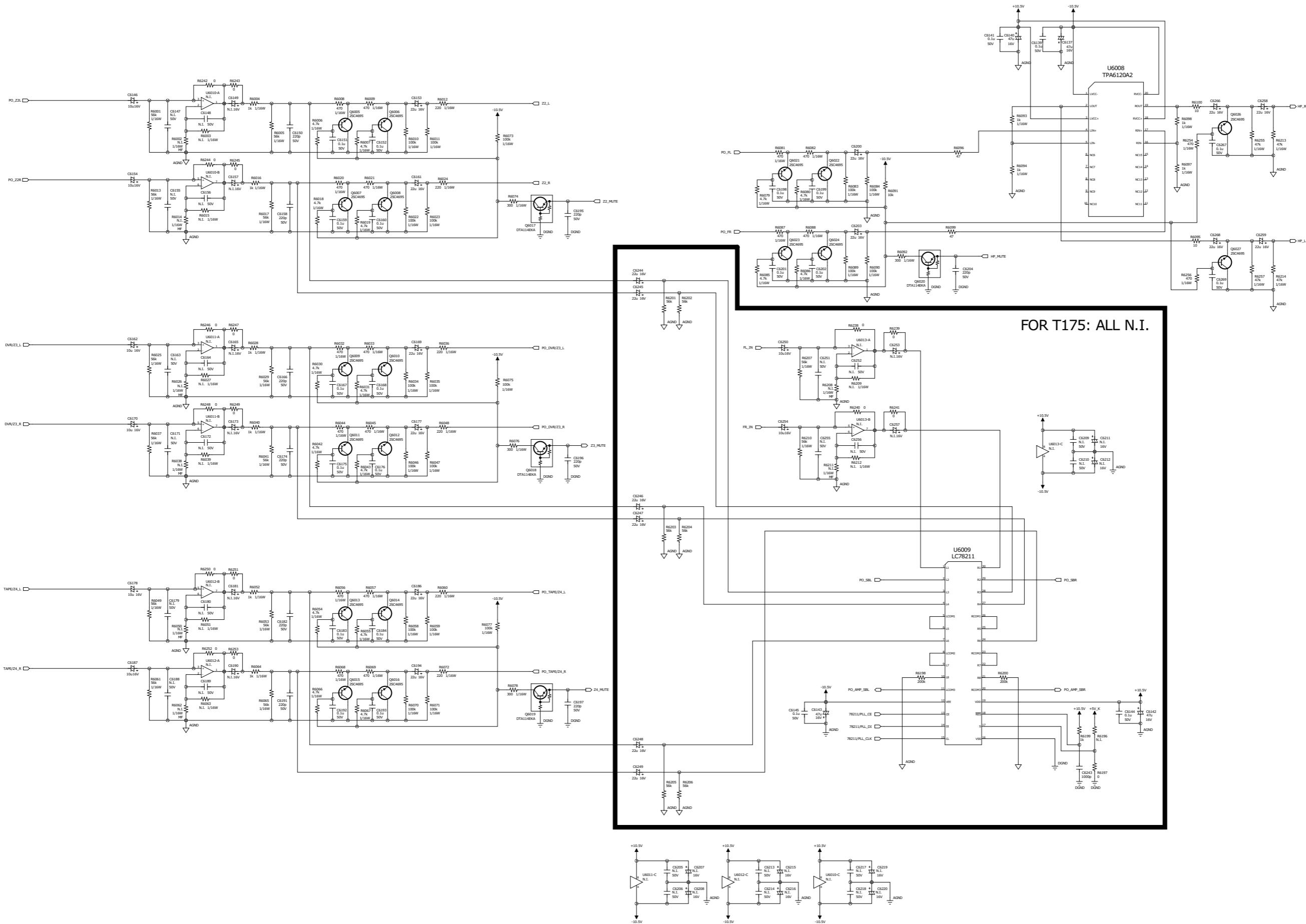
FOR T175: ALL N.I.



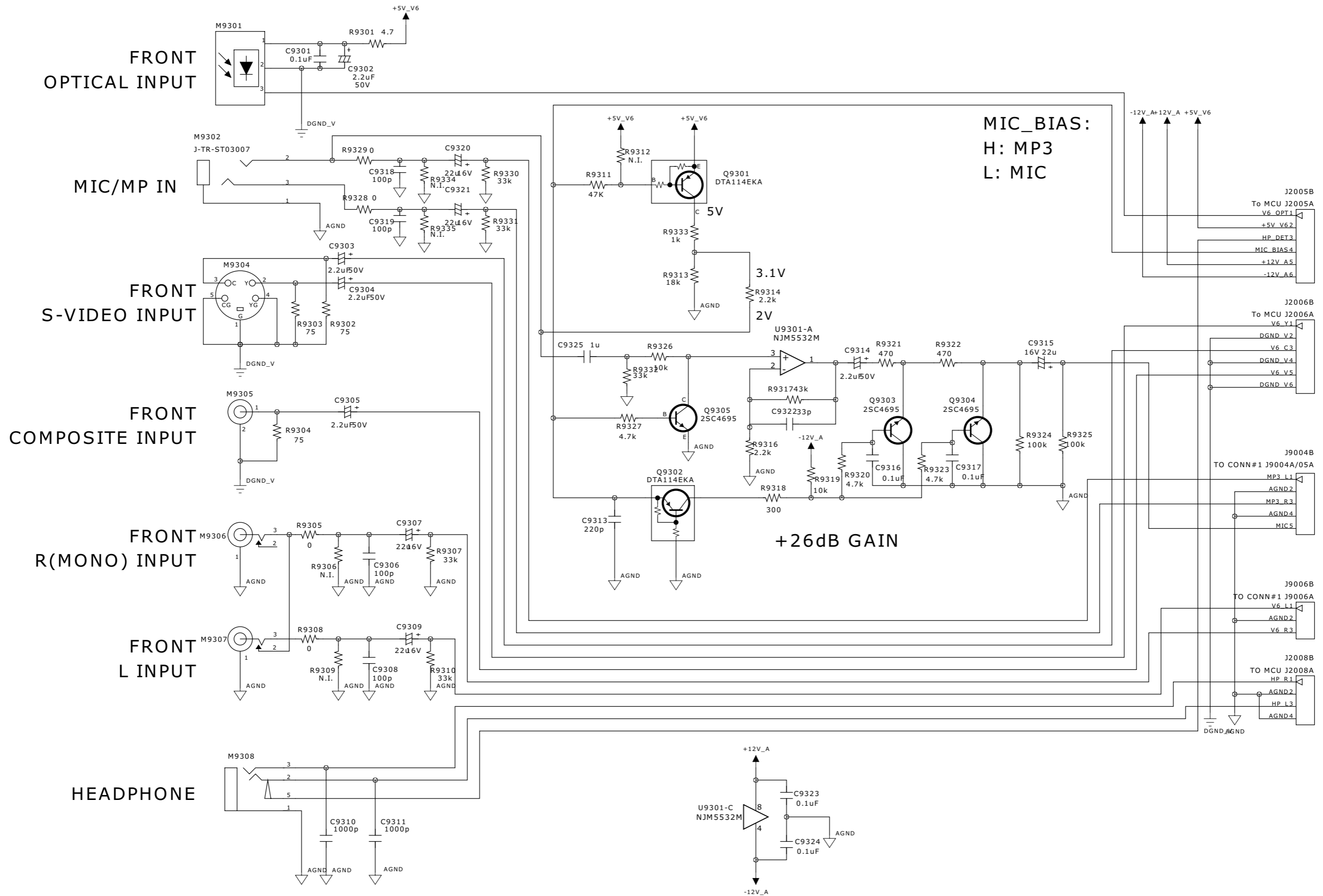
VOLUME-1



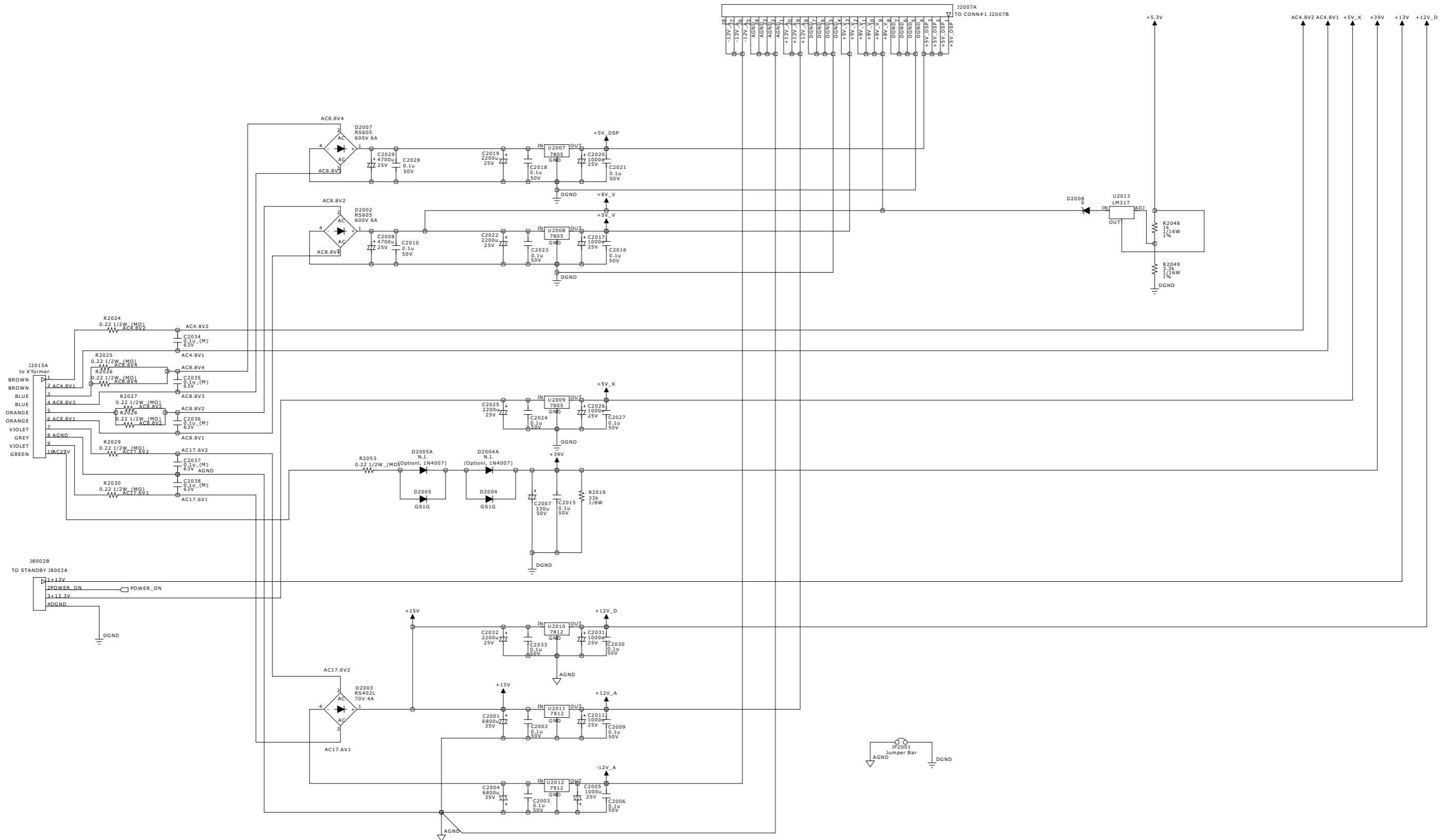
VOLUME-2



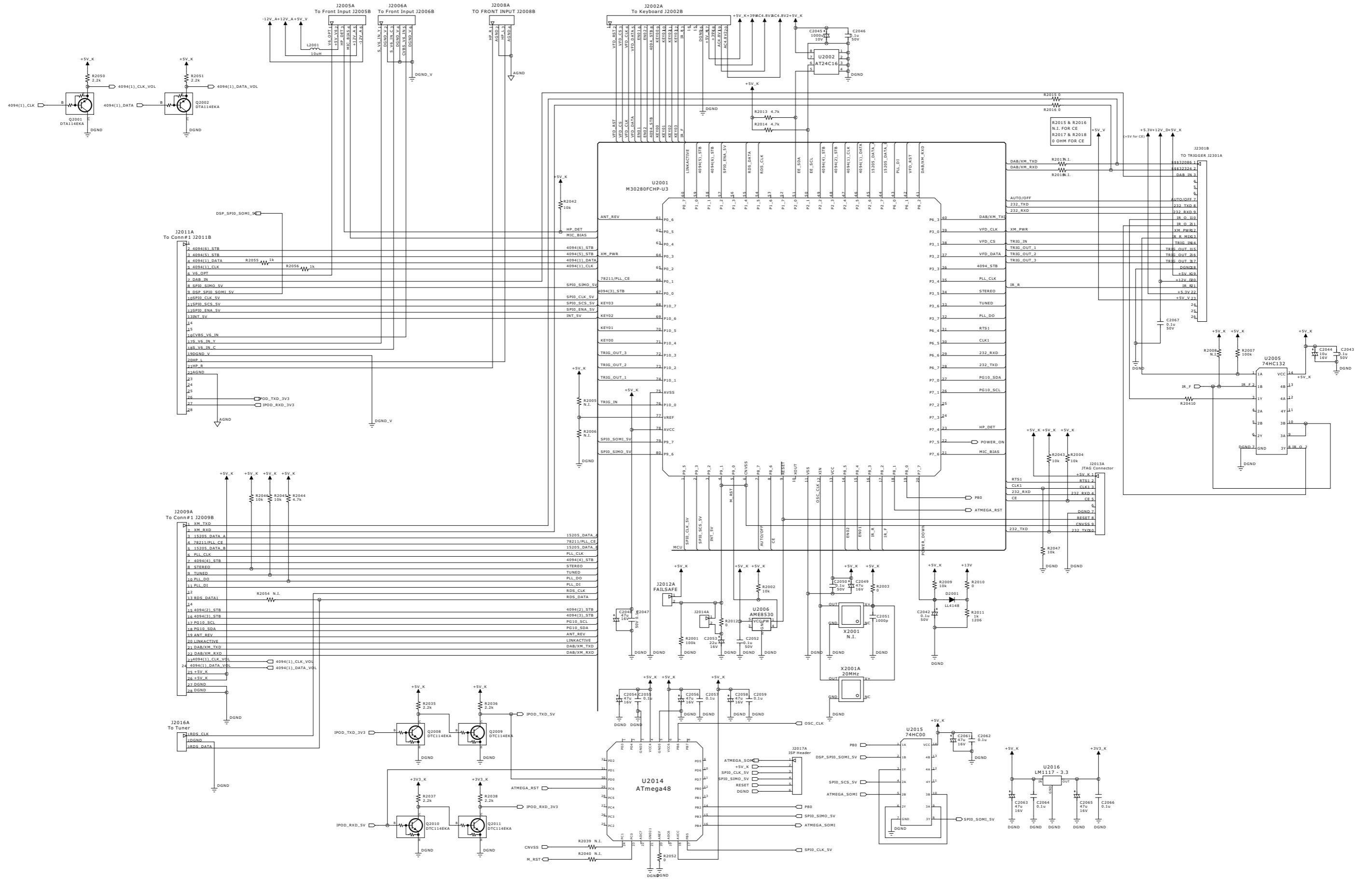
F-VIDEO



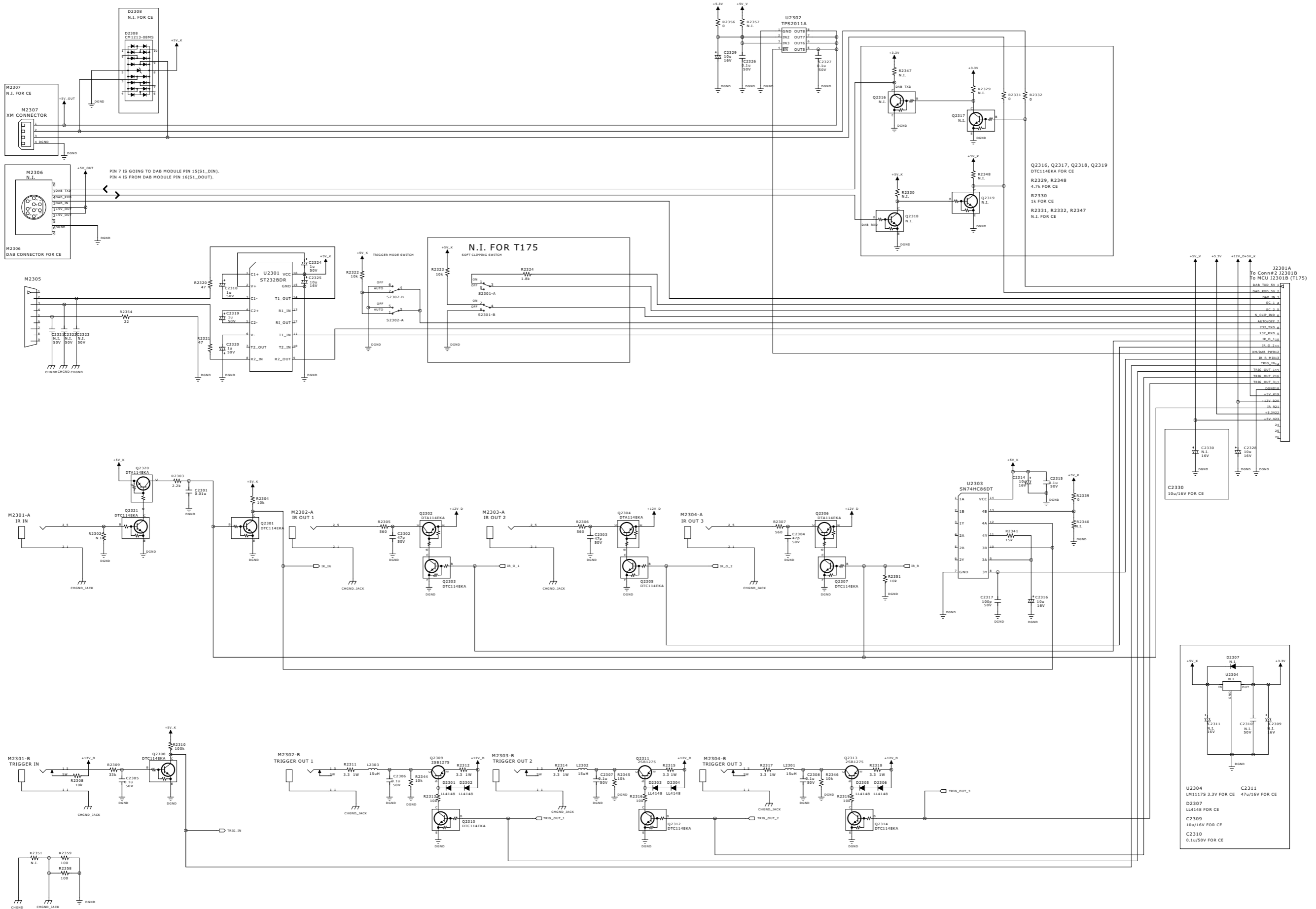
MAIN BOARD-1



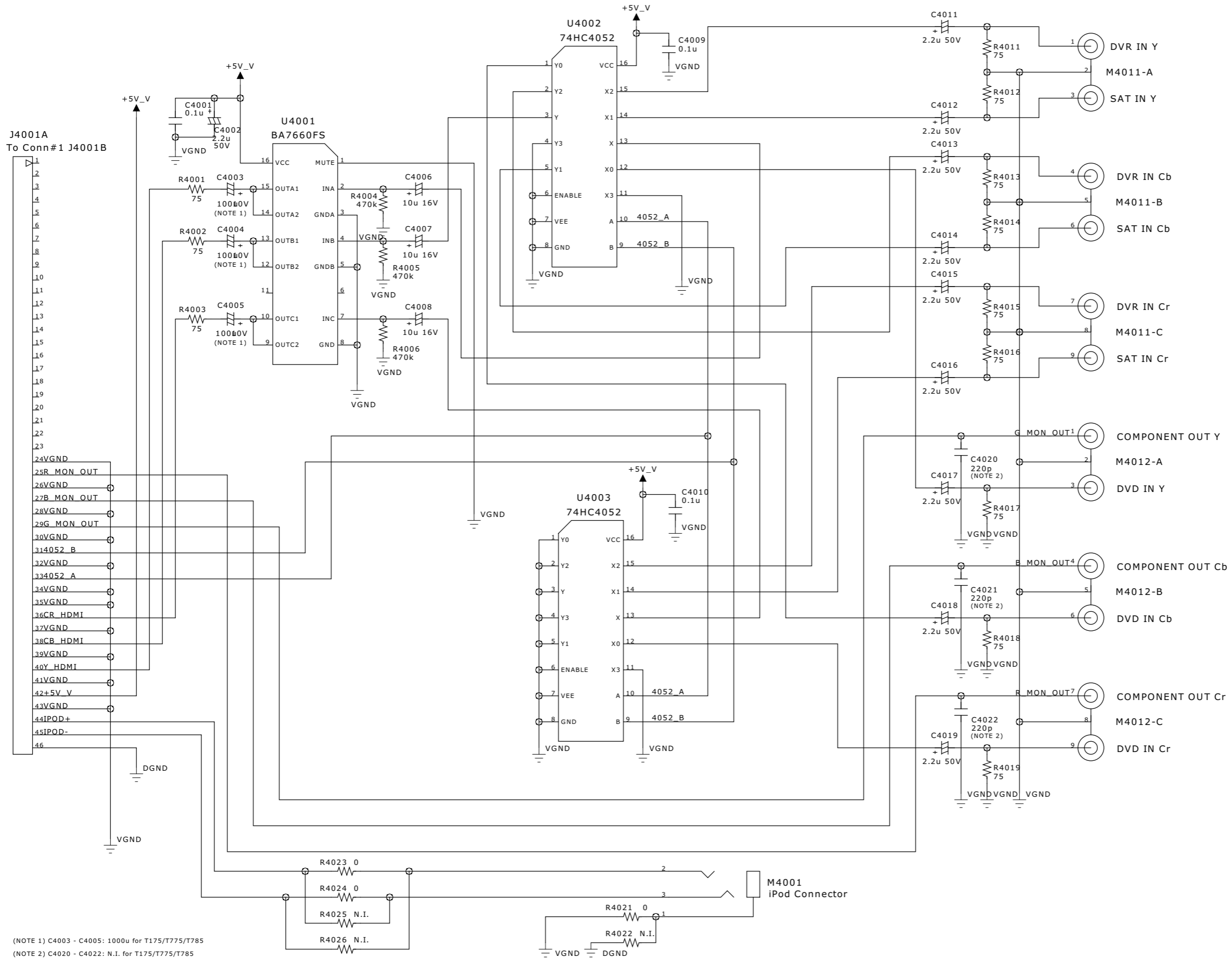
MAIN BOARD-2



TRIGGER

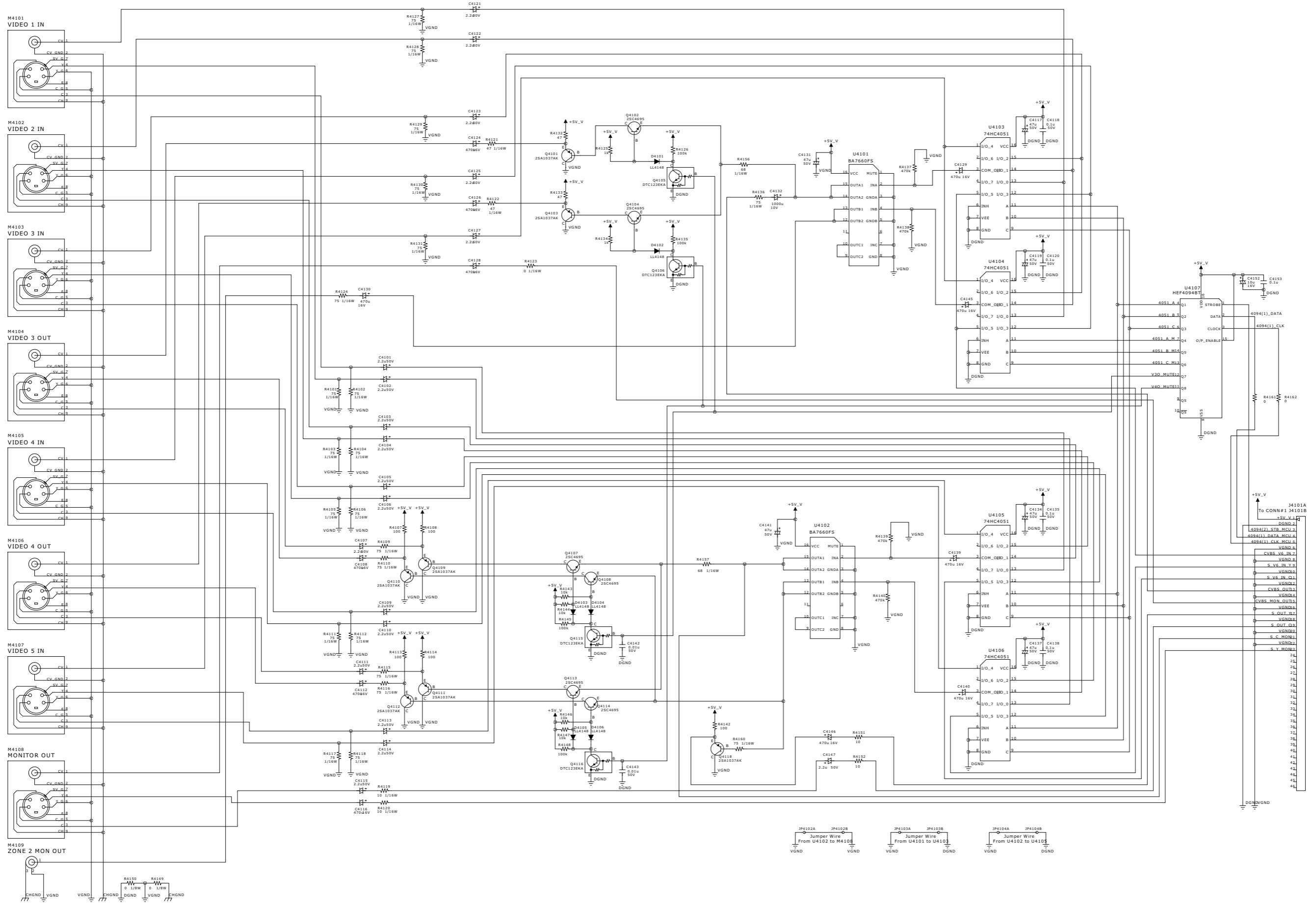


COMPONENT VIDEO

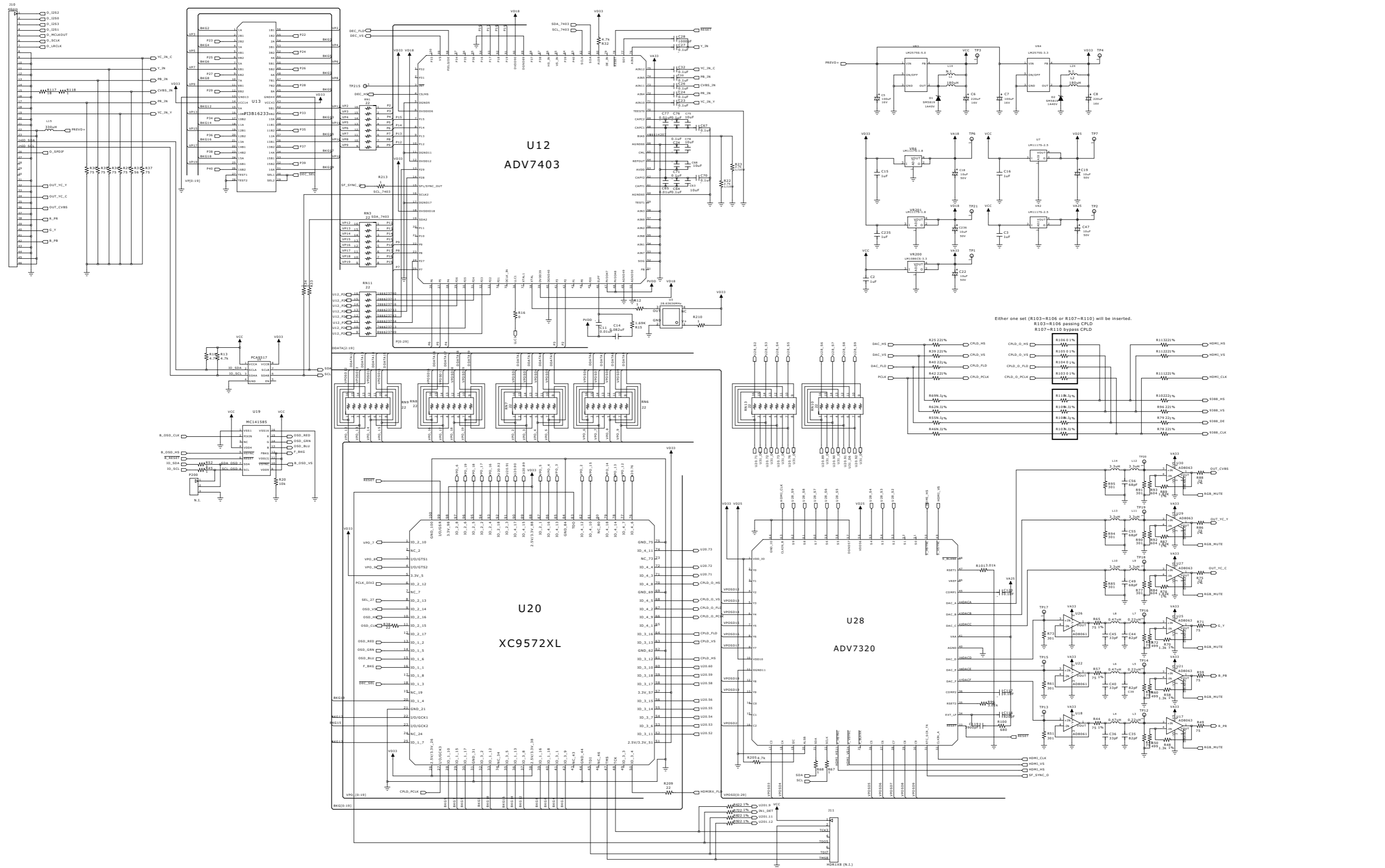


(NOTE 1) C4003 - C4005: 1000u for T175/T775/T785
 (NOTE 2) C4020 - C4022: N.I. for T175/T775/T785

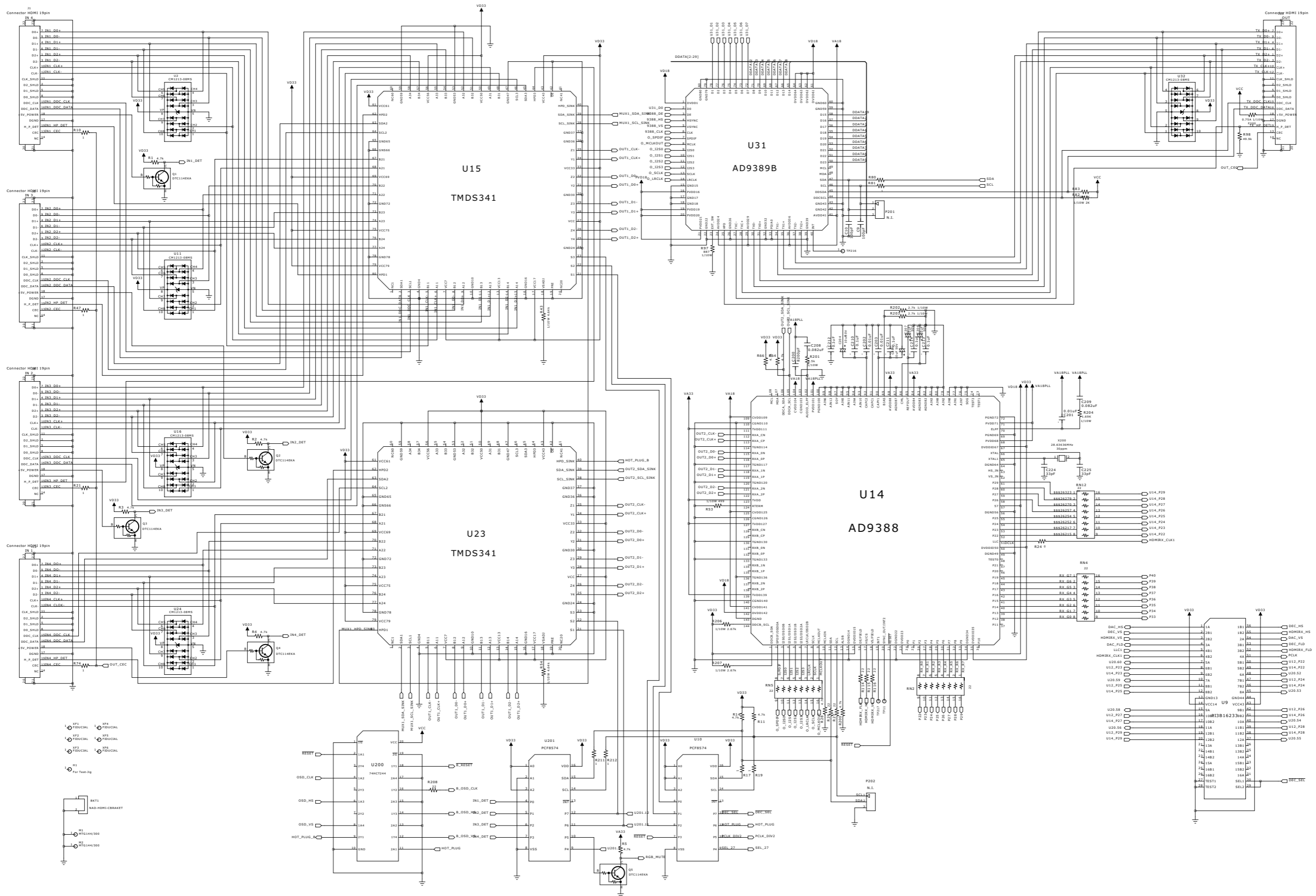
VIDEO



HDMI-1

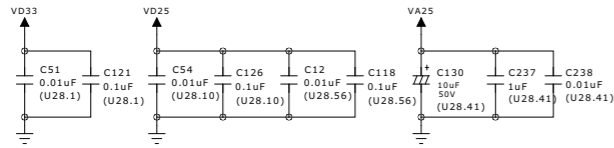


HDMI-2

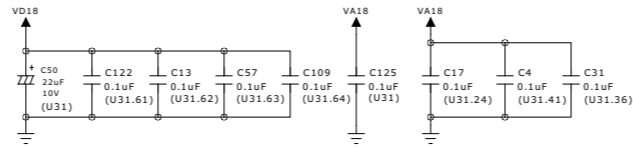


HDMI-3

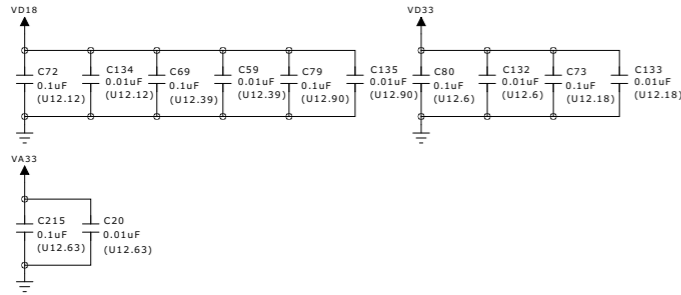
For U28 - ADV7320



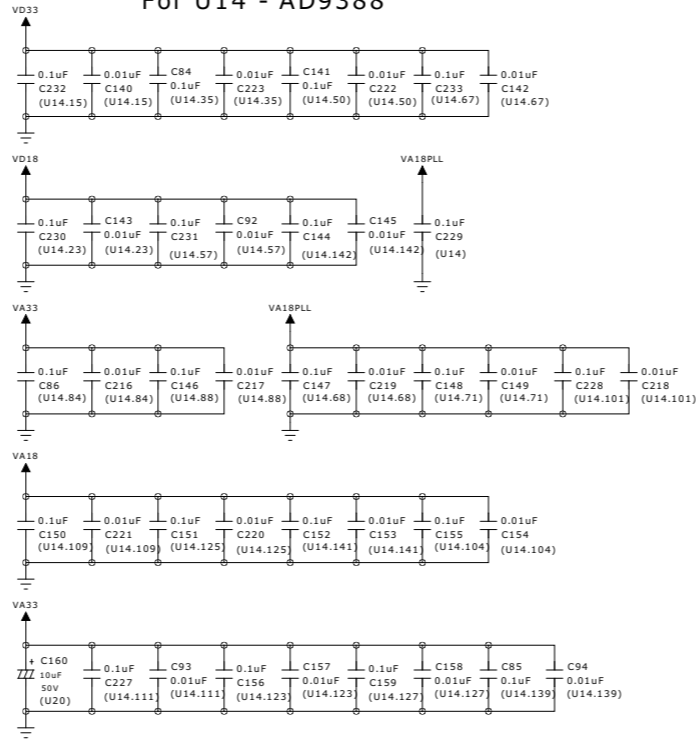
For U31 - AD9389



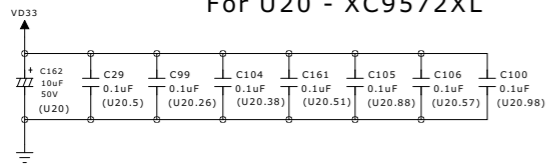
For U12 - ADV7403



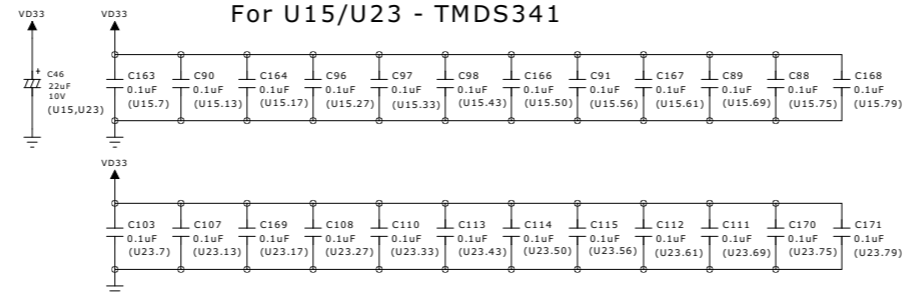
For U14 - AD9388



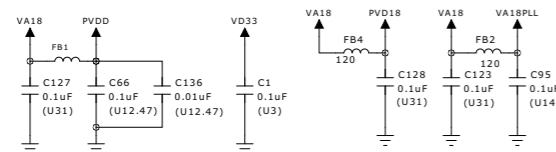
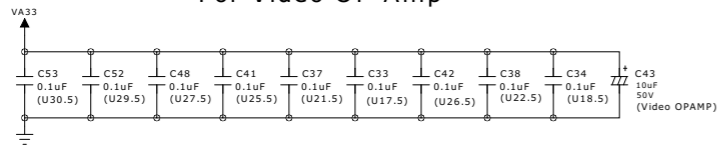
For U20 - XC9572XL



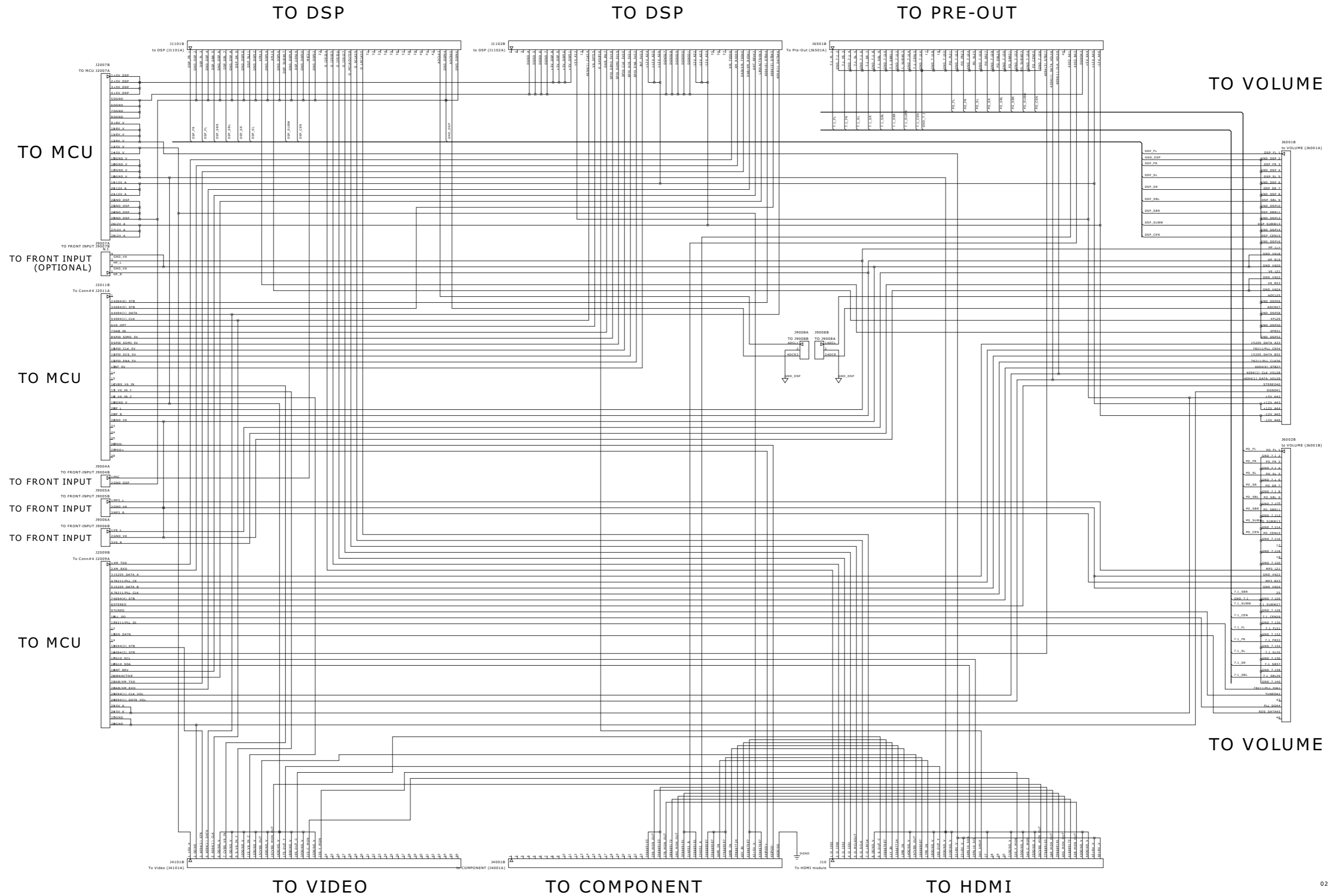
For U15/U23 - TMDS341



For Video OP-Amp



CONNECTOR-1



ELECTRICAL PARTS LIST

MAIN BOARD		
PCB ASSEMBLY *AH	50-901-0175-90	T175 AH MAIN ASSY
PCB ASSEMBLY *C,CT	50-902-0175-90	T175 C/CT MAIN ASSY
REGULATORS		
U2007 U2008 U2009	01-004-0048-00	IC VOLT REG 5V 1A TO-220 NJM7805FA
U2010 U2011	01-004-0049-00	IC VOLT REG 12V 1A TO-220 NJM7812
U2012	01-004-0051-00	IC VOLT REG TO-220F NJM7912
U2013	01-004-0054-90	IC REG 1A TO-220(T) LM317T
RESISTOR		
R2024 R2025 R2026 R2027 R2028 R2029 R2030 R2053	02-010-0011-00	RES MO 0.22 OHM 5% 1/2W
CAPACITORS		
C2008 C2029	03-002-0057-00	CAP ELEC EGH 4700uF 25V 20% 105C
C2005 C2011 C2017 C2020 C2026 C2031	03-002-0066-00	CAP ELEC KM 1000uF 25V 20% 105C
C2019 C2022 C2025 C2032	03-002-0151-00	CAP ELEC 2200uF 25V 20% 105C
C2007	03-002-0153-00	CAP ELECT 330uF 50V 20% 85C
C2001 C2004	03-002-0160-00	CAP ELEC SK 6800uF 35V 20% 105C
C2034 C2035 C2036 C2037 C2038	03-004-0031-00	MPF CAP 104J/63V 5% Mini Box
DIODES		
D2003	04-005-0020-90	DIODE BRI 4A/70V RS402L
D2002 D2007	04-005-0022-90	DIODE BRI 6A/600V RS605
SMD ICS		
U2016	01-004-0056-90	IC VOLT REG. LOW DROPOUT 3.3V 1A SOT-223 LM1117S-3.3
U2006	01-008-0007-90	IC MICROPOWER UP WATCH DOG TIMER 2.93V SOT-25 AME8530AEEVEFX29Z
U2001	01-010-0025-90	IC M30280FCHP-U3 16-BIT MCU 128K ROM 12K RAM QFP 80P6Q-A
U2014	01-010-0030-90	IC MCU 8 BITS 8K ROM 512 BYTES RAM TQFP ATmega48-20
U2002	01-011-0034-90	IC LE030401 AT24C16-AN-2.7 ATMEL
U2015	01-012-0059-00	IC LOGIC QUAD 2-INPUT NAND GATE SOP 74HC00D
U2005	01-012-0073-90	IC 74HC132D LOGIC QUAD 2-INPUT NAND SCHMITT TRIGGER SMD 14 PINS SOIC
SMD RESISTORS		
L2001	02-007-0089-00	RES SMD 0 OHM 1/8W 0805 5%
R2011	02-007-0094-00	RES SMD 1K OHM 1/4W 1206 1%
R2019	02-007-0136-00	RES SMD 33K OHM 0603 5%
R2013 R2014 R2044	02-007-0139-00	RES SMD 4.7K OHM 0603 5%
R2002 R2004 R2009 R2042	02-007-0157-00	RES SMD 10K OHM 0603 1%
R2043 R2045 R2046 R2047		
R2001 R2007	02-007-0267-00	RES SMD 100K OHM 5% 1/16W 0603
R2003 R2010 R2012 R2015-R2016*AH	02-007-0288-00	RES SMD 0 OHM 5% 1/16W 0603
R2017-R2018*C,CT R2041 R2052		

R2035 R2036 R2037 R2038 R2050 R2051	02-007-0292-00	RES SMD 2.2K OHM 1% 1/16W 0603
R2048 R2055 R2056	02-007-0306-00	RES SMD 1K OHM 1% 1/16W 0603
R2049	02-007-0321-00	RES SMD 3.3K OHM 1% 1/16W 0603
SMD CAPACITORS		
C2002 C2003 C2006 C2009 C2010 C2015 C2016 C2018 C2021 C2023 C2024 C2027 C2028 C2030 C2033 C2043 C2046 C2047 C2050 C2052 C2055 C2057 C2059 C2062 C2064 C2066 C2067	03-009-0075-00	CAP CER SMD 0.1uF 50V 20% Y5V 0603
C2051	03-009-0112-00	CAP CER SMD 1nF 50V 10% X7R 0603
C2044	03-009-0136-00	CAP ELEC SMD 10uF 16V +/-20% 4X5.4
C2045	03-009-0138-00	CAP ELEC SMD 1000uF 10V +/-20% 10X10.5
C2042	03-009-0139-00	CAP ELEC SMD 0.1uF 50V +/-20% 4X5.4
C2053	03-009-0140-00	CAP ELEC SMD 22uF 16V +/-20% 5X5.4
C2048 C2049 C2054 C2056 C2058 C2061 C2063 C2065	03-009-0143-00	CAP ELEC SMD 47uF 50V +/-20% 6.3X7.7
SMD DIODES		
D2004 D2005	04-006-0019-00	SMD Diode RECT 1A/400V DO-214AC GS1G M4 GS1G
D2001	04-006-0021-90	SMD Diode LL4148 SOD80
SMD TRANSISTORS		
Q2008 Q2009 Q2010 Q2011	05-004-0035-90	TRANSISTOR SS NPN HFE30 250MHz SPT DTC114EKAT146
Q2001 Q2002	05-004-0037-90	TRANSISTOR SS PNP HFE 30 250MHz SPT DTA114EKAT146
SMD OSCILLATOR		
X2001A	14-004-0019-90	CRYSTAL OSCILLATOR 20.000MHz 5V 50ppm 15pF SMD
PSU BOARD		
PCB ASSEMBLY *AH	50-903-0175-90	T175 AH PSU ASSY
PCB ASSEMBLY *C,CT	50-904-0175-90	T175 C/CT PSU ASSY
RESISTORS		
R8005*AH	02-001-0451-00	RES CONDUCTIVE PATH 3.9M OHM 1/2W 5% 250V
R8003	02-004-0014-00	RES FUSIBLE 0.22 OHM 10% 1/2W AXIAL
CAPACITORS		
C8003	03-001-0065-00	CAP CER KK 0.022uF 50V 10% Z5U ST5 RAD
C8002	03-002-0148-00	CAP ELEC SS 4.7uF 50V 20% 85C RAD HEIGHT = 7mm MAX
C8001	03-004-0115-00	CAP MpF 0.001uF 63V 5% DMF 5 SERIES
C8006	03-007-0014-00	HC CER CAP 0.01uF/250VAC ±20% Y5V RAD JY16F103MK02 UL/CSA/VDE

DIODES		
D8001-D8006	04-001-0003-00	Diode 1N4007 DO-41 1A/1000V
TRANSISTORS		
Q8001	05-001-0072-00	Transistor SS NPN HEF 100 200MHs TO-92 C1815Y
RELAYS		
M8002	07-005-0044-90	RELAY MINIATURE 12VDC/10A 1P1T TV-5 SDT-SS-112DM
STANDBY-TRANSFORMER		
T8001	10-005-0186-90	Transformer PW EL-35 100V/220V T05382B
FUSES		
F8001*AH	20-001-0076-90	FUSE TIME LAG 1.6A 250V 5x20mm TSD UL/CSA/VDE/SEMKO
F8002*AH	20-001-0066-90	Fuse TIME-LAG 1A/250VAC 5X20mm TSD UL/CSA/VDE/CCC
F8001*C,CT	20-001-0066-90	Fuse TIME-LAG 1A/250VAC 5X20mm TSD UL/CSA/VDE/CCC
F8002*C,CT	20-001-0068-90	FUSE TIME-LAG 500mA 250VAC 5X20mm TSD UL/CSA/VDE/CCC
FH8001, FH8002	20-002-0030-90	FUES CLIP 5.2X20mm WL-210A 10A 250V
JUMPERS		
JMP2 JMP3	17-016-0077-00	Jumper wire Dia. 0.5mm L=52.0mm
JMP1 JMP4 JMP5 JP8002	17-016-0080-90	Jumper Wire Dia. 0.5mm For L Smaller than 14mm
VOLUME BOARD PCB ASSEMBLY		
	50-914-0175-90	T175 VOLUME ASSY
INDUCTORS		
L6010 L6011	07-002-0144-90	IND CHOKE 180uH +/-10% AXIAL EC24-181K
RELAYS		
M6004	07-005-0049-90	RELAY DC12V 0.5A/125V 2P2T KH1-12VDC MINIATURE PCB MOUNT
RCA JACKS		
M6001 M6002 M6003	15-003-0047-90	RCA JACK 6 R-R-R/W-W-W PCB MOUNT
SMD ICS		
U6003	01-012-0065-00	IC LOGIC 8-STAGE SHIFT-AND-STORE BUS REGISTER SMD SO16 HEF4094BT
U6004-U6007 U6018	01-014-0041-00	IC AUDIO LOW NOISE OP-AMP SMD NJM5532M
U6008	01-014-0051-90	IC TPA6120A2DWP HIGH FIDELITY HEADPHONE AMPLIIER 20 PINS SOIC
U6001 U6002	01-027-0012-90	IC R2S15205FP 8 CH ELECTRONIC VOLUME W/ INPUT SWITCH & TONE CTRL SMD 80 PINS QFP

SMD RESISTORS

R6004 R6016 R6028 R6040 R6052 R6064 R6093 R6094 R6097 R6098 R6101-R6104 R6107 R6108 R6111-R6116 R6161 R6162	02-007-0042-00	RES SMD 1K OHM 0603 5%
R6123 R6124 R6127 R6128 R6135-R6140 R6145 R6146 R6151 R6156 R6158 R6159 R6160 R6161	02-007-0136-00	RES SMD 33K OHM 0603 5%
R6006 R6007 R6018 R6019 R6030 R6031 R6042 R6043 R6054 R6055 R6066 R6067 R6079 R6080 R6085 R6086 R6192 R6194	02-007-0139-00	RES SMD 4.7K OHM 0603 5%
R6213 R6214 R6255 R6257 R6193	02-007-0140-00 02-007-0145-00	RES SMD 47K OHM 0603 5% RES SMD 22K OHM 0603 5%
R6096 R6099 R6095 R6100	02-007-0146-00 02-007-0151-00	RES SMD 47 OHM 0603 5% RES SMD 10 OHM 0603 5%
R6091 R6174-R6179 R6182-R6185 R6010 R6011 R6022 R6023 R6034 R6035 R6046 R6047 R6058 R6059 R6070 R6071 R6073 R6075 R6077 R6083 R6084 R6089 R6090	02-007-0157-00 02-007-0267-00	RES SMD 10K OHM 0603 1% RES SMD 100K OHM 5% 1/16W 0603
R6001 R6005 R6013 R6017 R6025 R6029 R6037 R6041 R6049 R6053 R6061 R6065 R6188	02-007-0268-00	RES SMD 56K OHM 5% 1/16W 0603
R6105 R6106 R6109 R6110 R6117 R6118	02-007-0270-00	RES SMD 330 OHM 1% 1/16W 0603
R6142 R6144 R6148 R6150 R6158 R6160 R6242 R6243 R6244 R6245 R6246 R6247 R6248 R6249 R6250 R6251 R6252 R6253	02-007-0288-00	RES SMD 0 OHM 5% 1/16W 0603
R6231 R6232 R6233 R6234 R6008 R6009 R6020 R6021 R6032 R6033 R6044 R6045 R6056 R6057 R6068 R6069 R6081 R6082 R6087 R6088 R6254 R6256	02-007-0292-00 02-007-0294-00	RES SMD 2.2K OHM 1% 1/16W 0603 RES SMD 470 OHM 5% 1/16W 0603
R6236 R6237 R6186 R6189 R6166 R6169 R6170 R6074 R6076 R6078 R6092 R6187 R6165 R6167 R6168 R6171 R6163 R6164	02-007-0300-00 02-007-0306-00 02-007-0312-00 02-007-0319-00 02-007-0321-00 02-007-0322-00 02-007-0335-00	RES. SMD 200K OHM +/-5% 1/16W 0603 RES SMD 1K OHM 1% 1/16W 0603 RES SMD 20K OHM 1/16W 1% 0603 RES SMD 300 OHM 5% 1/16W 0603 RES SMD 3.3K OHM 1% 1/16W 0603 RES SMD 33K OHM 1% 1/16W 0603 RES SMD 75K OHM 1% 1/16W 0603
R6012 R6024 R6036 R6048 R6060 R6072 R6191	02-007-0372-00 02-007-0383-00	RES SMD 220 OHM 5% 1/16W 0603 RES SMD 2.7K OHM +/-1% 1/16W 0603

SMD CAPACITORS

C6097 C6101 C6103 C6115 C6121 C6139 C6141 C6151 C6152 C6159 C6160 C6167 C6168 C6175 C6176 C6183 C6184 C6192 C6193 C6198 C6199 C6201 C6202 C6221 C6222 C6225 C6226 C6229 C6230 C6233 C6234 C6237 C6238 C6241 C6242 C6267 C6269	03-009-0075-00	CAP CER SMD 0.1uF 50V 20% Y5V 0603
--	----------------	------------------------------------

C6001-C6018 C6124 C6127	03-009-0111-00	CAP CER SMD 100pF 50V 10% X7R 0603
C6130-C6132 C6135 C6265		
C6082 C6083 C6085	03-009-0113-00	CAP CER SMD 10nF 50V 10% X7R 0603
C6150 C6158 C6166 C6174 C6182	03-009-0114-00	CAP CER SMD 220pF 50V 10% X7R 0603
C6191 C6195 C6196 C6197 C6204		
C6112 C6113	03-009-0115-00	CAP CER SMD 2.2nF 50V 10% X7R 0603
C6096 C6100 C6114 C6119	03-009-0131-00	CAP CER SMD 22nF 50V 20% Y5V 0603
C6095 C6099 C6118	03-009-0134-00	CAP CER SMD 0.047uF 50V 10% X7R 0603
C6146 C6154 C6162 C6170 C6178 C6187	03-009-0136-00	CAP ELEC SMD 10uF 16V +/-20% 4X5.4
C6261 C6262 C6263 C6264	03-009-0138-00	CAP ELEC SMD 1000uF 10V +/-20% 10X10.5
C6019-C6022 C6065 C6066	03-009-0140-00	CAP ELEC SMD 22uF 16V +/-20% 5X5.4
C6069-C6074 C6081 C6084 C6122		
C6123 C6136 C6153 C6161 C6169		
C6177 C6186 C6194 C6200 C6203		
C6258 C6259 C6266 C6268		
C6086 C6087 C6088 C6089 C6090	03-009-0143-00	CAP ELEC SMD 47uF 50V +/-20% 6.3X7.7
C6091 C6092 C6093 C6102 C6104		
C6105 C6106 C6107 C6108 C6109		
C6110 C6111 C6120 C6137 C6140		
C6223 C6224 C6227 C6228 C6231		
C6232 C6235 C6236 C6239 C6240		
C6077-C6080 C6116	03-009-0152-00	SMD E CAP 100uF/16V ±20% LOW IMPEDANC 6.3 X 5.8
C6094 C6098 C6117	03-009-0198-00	CAP CER SMD 0.15uF 25V 10% X7R 0603
SMD DIODES		
D6001-D6004 D6007	04-006-0019-00	DIODE RECT 1A/400V DO-214AC SMD GS1G M4 GS1G
D6011 D6012 D6013 D6104	04-006-0021-90	SMD Diode LL4148 SOD80
D6005 D6006	04-007-0042-90	DIODE ZENER SMD 7.5V 500mW 5% SOD123 MMSZ5236B
SMD TRANSISTORS		
Q6005-Q6016 Q6021-Q6024 Q6026	05-004-0017-00	SMD Transistor 2SC4695 NPN SOT-23
Q6027		
Q6101	05-004-0030-90	XTR 2SD1918 NPN POWER 160V/1.5A 80MHz HFE 120-390 SMD
Q6102	05-004-0031-90	XTR 2SB1275 PNP POWER 160V/1.5A 50MHz HFE 82-180 SMD
Q6025	05-004-0036-90	TRANSISTOR SS NPN HFE20 250MHZ DTC123EKAT146
Q6017 Q6018 Q6019 R6020	05-004-0037-90	TRANSISTOR SS PNP HFE 30 250MHZ SPT DTA114EKAT146
DSP BOARD		
PCB ASSEMBLY*AH	50-918-0775-90	T175/T775/T785 AH DSP ASSY
PCB ASSEMBLY*C,CT	50-945-0775-90	T175/T775/T785 C/CT DSP ASSY
FIBER OPTIC		
M1004	04-004-0007-90	FIBER OPTIC TRANSMITTER 650nm 5V JST1164
M1001-1003	04-009-0004-90	FIBRE OPTIC RECEIVING UNIT 700nm JSR1164-D

INDUCTORS

L1008-L1014	07-002-0132-90	IND CHOKE 10uH +/-10% AXIAL EC24-100K
L1007	07-002-0134-90	IND CHOKE 22uH 10% AXIAL EC24-220K

TACT SWITCH

S1001	11-007-0061-90	SW TACT 1P1T 50mA/12V VER H=5mm
-------	----------------	---------------------------------

RCA JACKS

M1005 M1006 M1007 M1008	15-003-0034-90	RCA JACK 1 ORANGE PCB MOUNT GOLD W/SHIELD
-------------------------	----------------	---

SMD ICS

U1020	01-004-0056-90	IC VOLT REG. LOW DROPOUT 3.3V 1A SOT-223 LM1117S-3.3
U1034	01-004-0061-90	IC VOLT REG LOW DROPOUT 5.0V 1A SOT-223 LM1117S-5.0
U1001	01-010-0024-90	IC D708E001BRFP266 FLOATING-POINT DSP SMD 144 PINS S-PQFP-144
U1004	01-011-0032-90	IC FLASH MEMORY SMD 8M 3.3V SST39VF800A-70-4C-EK TSOP
U1003	01-011-0033-90	IC SDRAM 1M X 4 X 16BIT 133MHz SMD 54PIN TSOP(II) K4S641632K-T(U)C/L75
U1005*AH, U1005-1006*C,CT	01-012-0061-00	IC LOGIC 8-CHANNEL MULTIPLEXER SOP 74HC251D
U1007 U1008	01-012-0065-00	IC LOGIC 8-STAGE SHIFT-AND-STORE BUS REGISTER SMD SO16 HEF4094BT
U1018-1019	01-012-0066-00	IC LOGIC HEX INVERTER SMD SOP 74HCU04D
U1010 U1022	01-012-0068-90	IC LOGIC OCTAL BUS TRANSCEIVER WITH 3-STATE OUTPUTS 20PIN TSSOP SN74LVC245APWER
U1011	01-012-0074-90	IC PWM CONTROL IC SOP8 TL5001CD
U1009	01-012-0083-90	IC LOGIC OCTAL BUS TRANSCEIVERS WITH 3-STATE OUTPUTS SMD SN74HCT245PWR
U1033 U1035 U1036	01-012-0088-90	IC LOGIC QUAD 2-INPUT MULTIPLEXER WITH 3-STATE OUTPUTS SN74LVC257AD
U1023 U1027-1031	01-014-0041-00	IC AUDIO LOW NOISE OP-AMP SMD NJM5532M
U1017	01-020-0022-90	IC AUDIO STEREO ADC PCM1802 SOP20
U1021	01-020-0023-90	IC SUPPLY-VOLTAGE SUPERVISORY IC SOP6 TPS3103E12DBVR
U1002	01-020-0024-90	IC 192KHz DIGITAL AUDIO INTERFACE RECEIVER 28PIN SOIC CS8416 -CS
U1032*AH	01-020-0030-90	IC XMDT IC BU9450KV VQFP48C
U1012-1016	01-027-0011-90	IC PCM1791A 24-BIT 192kHz AUDIO STEREO DAC SMD 28 PIN SSOP

SMD RESISTORS

R1006 R1013 R1020 R1032 R1231 R1242-1243*AH	02-007-0042-00	RES SMD 1K OHM 0603 5%
R1022-1024 R1034	02-007-0134-00	RES SMD 4.7 OHM 0805 5%
R1316-1317 R1035*C,CT	02-007-0139-00	RES SMD 4.7K OHM 0603 5%
R1005 R1012 R1019 R1031 R1061 R1071-1072	02-007-0140-00	RES SMD 47K OHM 0603 5%

R1062 R1069 R1240 R1244-1245*AH	02-007-0141-00	RES SMD 100 OHM 0603 5%
R1028	02-007-0146-00	RES SMD 47 OHM 0603 5%
R1078-1079 R1082-1083 R1086-1087	02-007-0151-00	RES SMD 10 OHM 0603 5%
R1090-1091 R1167-1168 R1226		
R1190 R1199 R1208		
R1050	02-007-0153-00	RES SMD 20K OHM 0603 5%
R1066 R1077 R1080-1081 R1084-1085	02-007-0157-00	RES SMD 10K OHM 0603 1%
R1088-1089 R1092 R1166 R1169 R1196		
R1223-1224 R1230 R1236-1237		
R1259-1264 R1267 R1268 R1270 R1271		
R1186 R1114 R1123 R1129 R1139 R1149		
R1159 R1098 R1107 R1176 R1298 R1301		
R1191 R1200 R1205 R1206 R1188 R1192		
R1197 R1201 R1336		
R1249-1253*AH	02-007-0267-00	RES SMD 100K OHM 5% 1/16W 0603
R1001 R1008 R1015 R1232	02-007-0288-00	RES SMD 0 OHM 5% 1/16W 0603
R1246-1247*AH R1256*AH R1272-R1275		
R1276-1294 R1300 R1318-1319		
R1322-1323 R1324-1325*AH		
R1326-R1334 R1337		
R1239	02-007-0291-00	RES SMD 150 OHM 5% 1/16W 0603
R1007 R1014 R1021 R1025-1027	02-007-0292-00	RES SMD 2.2K OHM 1% 1/16W 0603
R1047 R1320-1321		
R1037-1041 R1265-1266	02-007-0293-00	RES SMD 33 OHM 5% 1/16W 0603
R1073	02-007-0300-00	RES. SMD 200K OHM +/-5% 1/16W 0603
R1099 R1108 R1115 R1130 R1140	02-007-0301-00	RES. SMD 620 OHM +/-5% 1/16W 0603
R1150 R1160 R1177 R1187 R1241		
R1096-1097 R1105-1106 R1112-1113	02-007-0309-00	RES SMD 1.18K OHM 1%1/10W 0603
R1121-1122 R1127-1128 R1136-1137		
R1146-1147 R1156-1157 R1173-1174		
R1183-1184		
R1095 R1104 R1111 R1120 R1126	02-007-0334-00	RES SMD 7.5K OHM 1% 1/16W 0603
R1135 R1138 R1145 R1148 R1155		
R1158 R1161-1165 R1172 R1175		
R1182 R1185		
R1049	02-007-0337-00	RES SMD 91K OHM 1% 1/16W 0603
R1002 R1009 R1016 R1029 R1042-R1046	02-007-0341-00	RES SMD 120 OHM 5% 1/16W 0603
R1068	02-007-0345-00	RES SMD 3K OHM 5% 1/16W 0603
R1074	02-007-0350-00	RES SMD 39K OHM 5% 1/16W 0603
R1003 R1010 R1017 R1030	02-007-0351-00	RES SMD 39 OHM 5% 1/16W 0603
R1004 R1011 R1018	02-007-0357-00	RES SMD 75 OHM 5% 1/16W 0603
R1093-1094 R1102-1103 R1109-1110	02-007-0383-00	RES SMD 2.7K OHM +/-1% 1/16W 0603
R1118-1119 R1124-1125 R1133-1134		
R1143-1144 R1153-1154 R1170-1171		
R1180-1181		

SMD CAPACITORS

C1003 C1007 C1011 C1013 C1015	03-009-0075-00	CAP CER SMD 0.1uF 50V 20% Y5V 0603
C1017 C1019 C1023 C1025 C1026*C,CT		
C1028 C1030 C1032 C1035-1037 C1047		
C1049 C1051 C1053 C1056 C1062 C1064		
C1067-1068 C1070 C1077 C1079-1124		
C1127-1131 C1134-1136 C1154-1155		
C1159-1160 C1164-1165 C1169 C1171		
C1243-1244 C1288 C1293 C1296 C1299		
C1303-1305*AH C1311*AH C1313		
C1315-1322*AH C1330*AH C1341		
C1342 C1344		
C1297	03-009-0076-00	CAP CER CAP 27pF/50V +10% NPO 0603
C1175-1176 C1182-1183 C1189-1190	03-009-0104-00	CAP CER SMD 2700pF 50V 10% X7R 0603
C1196-1197 C1203-1204 C1210-1211		
C1217-1218 C1224-1225 C1249-1250		
C1259-1260		
C1042 C1230-1231 C1233-1234 C1236	03-009-0111-00	CAP CER SMD 100pF 50V 10% X7R 0603
C1238 C1241 C1300-1302		
C1044 C1063 C1065	03-009-0112-00	CAP CER SMD 1nF 50V 10% X7R 0603
C1001 C1004-1005 C1008-1009 C1012	03-009-0113-00	CAP CER SMD 10nF 50V 10% X7R 0603
C1022 C1038 C1043		
C1002 C1006 C1010	03-009-0114-00	CAP CER SMD 220pF 50V 10% X7R 0603
C1039	03-009-0117-00	CAP CER SMD 330pF 50V 10% X7R 0603
C1058	03-009-0128-00	CAP CER SMD 1200pF 50V 10% X7R 0603
C1048 C1050 C1054	03-009-0128-90	SMD E CAP 470uF/10V ±20% GVS V477M010S0ANG030
C1021	03-009-0130-00	CAP CER SMD 22pF 50V 5% COG 0603
C1045	03-009-0131-00	CAP CER SMD 22nF 50V 20% Y5V 0603
C1066	03-009-0133-00	CAP CER SMD 470pF 50V 5% NPO 0603
C1014 C1016 C1018 C1020 C1024	03-009-0136-00	CAP ELEC SMD 10uF 16V +/-20% 4X5.4
C1027*C,CT C1031 C1033-1034 C1046		
C1052 C1069 C1071 C1076 C1078		
C1153 C1157-1158 C1162-1163		
C1167-1168 C1170 C1173-1174		
C1180-1181 C1187-1188 C1194-1195		
C1201-1202 C1208-1209 C1215-1216		
C1222-1223 C1242 C1246-1248		
C1257-1258 C1264 C1269 C1294-1295		
C1312 C1156 C1161 C1166 C1172 C1245		
C1298 C1340 C1343 C1345		
C1055	03-009-0138-00	CAP ELEC SMD 1000uF 10V +/-20% 10X10.5
C1265 C1270 C1332	03-009-0140-00	CAP ELEC SMD 22uF 16V +/-20% 5X5.4
C1179 C1186 C1193 C1200 C1207	03-009-0142-00	CAP ELEC SMD 3.3uF 50V +/-20% 4X5.4
C1214 C1221 C1228 C1253 C1263		
C1029 C1137-1141 C1143 C1146-1150	03-009-0143-00	CAP ELEC SMD 47uF 50V +/-20% 6.3X7.7
C1152 C1323*AH		
C1287	03-009-0153-00	SMD E CAP 1uF/50V ±20% B CASE 4 X 5.4

C1177-1178 C1184-1185 C1191-1192 C1198-1199 C1205-1206 C1212-1213 C1219-1220 C1226-1227 C1251-1252 C1261-1262 C1268 C1273	03-009-0157-00 03-009-0211-00	CAP CER SMD 560pF 50v 10% X7R 0603 SMD E CAP 220uF/16V ±20% 6.3X7.7
SMD DIODES		
D4001 D4002	04-006-0021-90	SMD DIODE LL4148 SOD80
SMD TRANSISTORS		
Q1016	05-001-0096-90	XTR PW PNP 5A/60V SC-63 2SA1952TLQ
Q1020-1022	05-004-0017-00	SMD Transistor 2SC4695 NPN SOT-23
Q1011-1012 Q1024 Q1030 Q1032-1033	05-004-0035-90	TRANSISTOR SS NPN HFE30 250MHZ SPT DTC114EKAT146
Q1017*C,CT Q1025 Q1031 Q1034-1035	05-004-0037-90	TRANSISTOR SS PNP HFE 30 250MHZ SPT DTA114EKAT146
SMD INDUCTORS		
L1018*AH	07-007-0017-90	IND 2.7uH SMD 10% 0805 CI201209-2R7KG
L1020 L1021 L1022 L1023	07-007-0035-90	IND SMD 1.5uH 10% 0805 CI2012-1R5K
L1001-1004	10-009-0005-90	DIGITAL AUDIO INTERFACE SIGNAL TRANSFORMER ER9.5 225uH RA070228-1
SMD OSCILLATORS		
X1001C	14-004-0020-90	CRYSTAL OSCILLATOR 24.576MHZ 3.3V 50ppm 30pF
X1003*AH	14-004-0024-90	CRYSTAL OSCILLATOR 45.1584MHZ 3.3V 50ppm 30pF
COMPOSITE VIDEO BOARD		
PCB ASSEMBLY	50-920-0785-90	T175/T775/T785 COMPOSITE VIDEO ASSY
RCA JACKS		
M4101-M4108	15-003-0032-90	RCA JACK 1 YELLOW & S-VIDEO PCB MOUNT W/COVER DASW-8.4-11
M4109	15-003-0037-90	RCA JACK 1 Y PCB MOUNT GOLD W/ COVER
SMD ICS		
U4103-4106	01-012-0062-00	IC LOGIC 8-CHANNEL ANALOG MUX/DEMUX SMD 74HC4051D
U4107	01-012-0065-00	IC LOGIC 8-STAGE SHIFT-AND-STORE BUS REGISTER SMD SO16 HEF4094BT
U4101-4102	01-026-0001-90	IC VIDEO 3-CHANNEL 75 OHM DRIVER SSOP BA7660FS
SMD RESISTORS		
R4125 R4134	02-007-0042-00	RES SMD 1K OHM 0603 5%
R4149-4150	02-007-0089-00	RES. SMD 0 OHM +/-5% 1/10W 0805
R4113-4114 R4107-4108 R4142	02-007-0141-00	RES SMD 100 OHM 0603 5%
R4121 R4122 R4133 R4132	02-007-0146-00	RES SMD 47 OHM 0603 5%
R4119 R4120 R4151 R4152	02-007-0151-00	RES SMD 10 OHM 0603 5%
R4143-4144 R4146-4147	02-007-0157-00	RES SMD 10K OHM 0603 1%

R4135 R4126 R4145 R4148	02-007-0267-00	RES SMD 100K OHM 5% 1/16W 0603
R4123 R4161 R4162	02-007-0288-00	RES SMD 0 OHM 5% 1/16W 0603
R4156 R4157	02-007-0289-00	RES SMD 68 OHM +/-1% 1/16W 0603
R4139-4140 R4137-4138	02-007-0352-00	RES SMD 470K OHM 5% 1/16W 0603
R4101-4106 R4109-4112 R4115-R4118	02-007-0357-00	RES SMD 75 OHM 5% 1/16W 0603
R4124 R4127-4131 R4136 R4160		
SMD CAPACITORS		
C4118 C4120 C4135 C4138 C4153	03-009-0075-00	CAP CER SMD 0.1uF 50V 20% Y5V 0603
C4142-4143	03-009-0113-00	CAP CER SMD 10nF 50V 10% X7R 0603
C4152	03-009-0136-00	CAP ELEC SMD 10uF 16V +/-20% 4X5.4
C4132	03-009-0138-00	CAP ELEC SMD 1000uF 10V +/-20%
10x10.5		
C4101-4107 C4109-4111 C4113-4115	03-009-0141-00	CAP ELEC SMD 2.2uF 50V +/-20% 4x5.4
C4121-4123 C4125 C4127 C4147		
C4134 C4137 C4119 C4117 C4141 C4131	03-009-0143-00	CAP ELEC SMD 47uF 50V +/-20% 6.3X7.7
C4112 C4108 C4116 C4124 C4126	03-009-0144-00	CAP ELEC SMD 470uF 16V +/-20%
C4128-4130 C4139-4140 C4145-4146		10X10.5
SMD DIODES		
D4101-4106	04-006-0021-90	SMD Diode LL4148 SOD80
SMD TRANSISTORS		
Q4102 Q4104 Q4107-4108 Q4113-4114	05-004-0017-00	SMD Transistor 2SC4695 NPN SOT-23
Q4101 Q4103 Q4109-4112 Q4118	05-004-0034-90	TRANSISTOR 2SA1037AKS PNP HFE 270-560 140MHz SMD SMT3
Q4105-4106 Q4115-4116	05-004-0036-90	TRANSISTOR SS NPN HFE20 250MHz DTC123EKAT146
KEYBOARD		
PCB ASSEMBLY	50-922-0175-90	T175 KEYBOARD ASSY
CAPACITORS		
C2208	03-002-0137-00	CAP ELEC SS 1uF 50V 20% 85C RAD HEIGHT=7mm MAX
C2211	03-002-0143-00	CAP ELEC SS 47uF 16V 20% 85C RAD HEIGHT=7mm MAX
IR		
D2202	04-009-0003-90	IR RX 37.9kHz SHIELD RT FM-6038TM2-5AN
ENCODER		
M2201	06-006-0009-90	ENCODER ROTATRY STD L=20MM VERT. W/O CLICK
TACT SWITCH		
S2201-S2210 S2213-S2218	11-007-0061-90	SW TACT 1P1T 50mA/12V VER H=5mm
VFD		
VD2201	12-005-0029-90	VFD 16-BT-130-GINK T755
LED		
D2201	12-006-0125-90	LED RED-ORN-BLU CIRCULAR 5X8.7MM COMMON CATHODE

SMD IC

U2201	01-012-0065-00	IC LOGIC 8-STAGE SHIFT-AND-STORE BUS REGISTER SMD SO16 HEF4094BT
-------	----------------	---

SMD RESISTORS

R2201 R2237-R2239	02-007-0042-00	RES SMD 1K OHM 0603 5%
R2204	02-007-0136-00	RES SMD 33K OHM 0603 5%
R2202	02-007-0139-00	RES SMD 4.7K OHM 0603 5%
R2232-2233	02-007-0141-00	RES SMD 100 OHM 0603 5%
R2210	02-007-0151-00	RES SMD 10 OHM 0603 5%
R2207 R2212-2216 R2230-2231	02-007-0157-00	RES SMD 10K OHM 0603 1%
R2203 R2211 R2234-2236 R2240 R2241	02-007-0292-00	RES SMD 2.2K OHM 1% 1/16W 0603
R2205 R2209	02-007-0294-00	RES SMD 470 OHM 5% 1/16W 0603
R2206 R2208	02-007-0315-00	RES SMD 22 OHM 5% 1/4W 1206

SMD CAPACITORS

C2201-2204 C2207 C2210	03-009-0075-00	CAP CER SMD 0.1uF 50V 20% Y5V 0603
C2205-2206	03-009-0111-00	CAP CER SMD 100pF 50V 10% X7R 0603
C2212	03-009-0119-00	CAP CER SMD 4.7nF 50V 10% X7R 0603

SMD DIODES

D2204-2209	04-006-0021-90	SMD Diode LL4148 SOD80
D2203	04-007-0031-00	DIODE ZENER SMD 6.2V 500mW 5% SOD123 MMSZ5234B
Q2201	05-004-0030-90	XTR 2SD1918 NPN POWER 160V/1.5A 80MHz HFE 120-390 SMD

SMD TRANSISTORS

Q2202-Q2204 Q2205 Q2206	05-004-0037-90	TRANSISTOR SS PNP HFE30 250MHZ SPT DTA114EKAT146
-------------------------	----------------	---

JUMPERS

JMP1 JMP3 JMP5-12 JMP16 JMP20-23 JMP26-29 JMP32-34 JMP36 JMP38 JMP43	17-016-0077-00	Jumper wire Dia. 0.5mm L=52.0mm
S2211 S2212 JMP2 JMP4 JMP13-15 JMP17-19 JMP24-25 JMP30-31 JMP35 JMP37 JMP39-41	17-016-0080-90	Jumper Wire Dia. 0.5mm For L Smaller than 14mm

PRE-OUT BOARD

PCB ASSEMBLY	50-924-0175-90	T175 PRE-OUT ASSY
---------------------	-----------------------	--------------------------

RELAYS

M6506 - M6510	07-005-0051-90	RELAY DC5V 0.5A/125V 2P2T ME-12-5 MINIATURE PCB MOUNT MASSUSE
---------------	----------------	--

RCA JACKS

M6502 M6504	15-003-0022-90	RCA JACK 2 B/B PCB MOUNT GOLD RS-213G-02(W)
M6505	15-003-0036-90	RCA JACK 1 BLACK PCB MOUNT GOLD W/O COVER
M6501 M6503	15-003-0046-90	RCA JACK 6 W-W-W/R-R-R PCB MOUNT GOLD W/O SHIELD

SMD ICs

U6901	01-012-0065-00	IC LOGIC 8-STAGE SHIFT-AND-STORE BUS REGISTER SMD SO16 HEF4094BT
U6501 U6601 U6701 U6801	01-014-0041-00	IC AUDIO LOW NOISE OP-AMP SMD NJM5532M

SMD RESISTORS

R6901 R6902 R6907 R6908 R6913 R6914 R6919 R6920 R6971-R6979	02-007-0042-00	RES SMD 1K OHM 0603 5%
R6905 R6906 R6911 R6912 R6917 R6918 R6923 R6924	02-007-0089-00	RES SMDES 0 OHM 1/8W 0805 5%
R6502 R6510 R6513 R6521 R6602 R6610 R6613 R6621 R6702 R6710 R6713 R6721 R6802 R6810 R6813 R6821 R6925 R6926 R6931 R6932 R6937 R6938 R6943 R6944 R6950	02-007-0136-00	RES SMD 33K OHM 0603 5%
R6506 R6517 R6606 R6617 R6706 R6717 R6806 R6817	02-007-0140-00	RES SMD 47K OHM 0603 5%
R6548 R6648 R6748 R6849 R6850	02-007-0141-00	RES SMD 100 OHM 0603 5%
R6501 R6504 R6511 R6507 R6512 R6515 R6522 R6518 R6601 R6604 R6611 R6607 R6612 R6615 R6622 R6618 R6701 R6704 R6711 R6707 R6712 R6715 R6722 R6718 R6801 R6804 R6811 R6807 R6812 R6815 R6822 R6818 R6927 R6928 R6933 R6934 R6939 R6940 R6945 R6946 R6951	02-007-0267-00	RES SMD 100K OHM 5% 1/16W 0603
R6505 R6516 R6605 R6616 R6705 R6716 R6805 R6816	02-007-0288-00	RES SMD 0 OHM 5% 1/16W 0603
R6545 R6645 R6745 R6845 R6846	02-007-0295-00	RES SMD 4.7K OHM +/-1% 1/16W 0603
	02-007-0319-00	RES SMD 300 OHM 5% 1/16W 0603

SMD CAPACITORS

C6974	03-009-0075-00	CAP CER SMD 0.1uF 50V 20% Y5V 0603
C6903 C6904 C6907 C6908 C6911 C6912 C6915 C6916 C6975-C6979	03-009-0111-00	CAP CER SMD 100pF 50V 10% X7R 0603
C6502 C6509 C6530 C6602 C6609 C6630 C6702 C6709 C6730 C6802 C6809 C6830 C6831	03-009-0114-00	CAP CER SMD 220pF 50V 10% X7R 0603
C6501 C6508 C6601 C6608 C6701 C6708 C6801 C6808 C6973	03-009-0136-00	CAP ELEC SMD 10uF 16V +/-20% 4X5.4
C6505 C6512 C6605 C6612 C6705 C6712 C6805 C6812 C6941 C6942 C6945 C6946 C6949 C6950 C6953 C6954	03-009-0139-00	CAP ELEC SMD 0.1uF 50V +/-20% 4X5.4
C6504 C6507 C6511 C6514C6604 C6607 C6611 C6614 C6704 C6707 C6711 C6714 C6804 C6807 C6811 C6814 C6901 C6902 C6905 C6906 C6909 C6910 C6913 C6914	03-009-0140-00	CAP ELEC SMD 22uF 16V +/-20% 5X5.4
C6943 C6944 C6947 C6948 C6951 C6952 C6955 C6956	03-009-0143-00	CAP ELEC SMD 47uF 50V +/-20% 6.3X7.7

SMD DIODES		
D6901-D6909	04-006-0019-00	DIODE RECT 1A/400V DO-214AC SMD GS1G M4 GS1G
D6501-D6504 D6601-D6604 D6701-D6704 D6801-D6804	04-007-0039-90	DIODE ZENER SMD 12V 500mW 5% SOD123 MM1Z12
SMD TRANSISTORS		
Q6501 Q6503 Q6601 Q6603 Q6701 Q6703 Q6801 Q6803 Q6815-Q6819	05-004-0017-00 05-004-0021-00	SMD Transistor 2SC4695 NPN SOT-23 SMD Transistor T3906 SOT-23
Q6505 Q6605 Q6705 Q6805 Q6808	05-004-0037-90	TRANSISTOR SS PNP HFE 30 250MHz SPT DTA114EKAT146
SMD INDUCTORS		
L6505 L6507 L6508 L6510 L6511 L6513 L6514 L6516 L6518	07-007-0019-90	IND SMD 10uH +/-10% 0805 YT201212T-100K-S
TRIGGER BOARD		
PCB ASSEMBLY*AH	50-930-0175-90	T175 AH TRIGGER
PCB ASSEMBLY*C,CT	50-947-0175-90	T175 C/CT TRIGGER
CAPACITORS		
C2314 C2316 C2325 C2328 C2329	03-002-0129-00	CAP ELEC SS 10uF 16V 20% 85C RAD HEIGHT =7mm MAX
C2318 C2319 C2320 C2324	03-002-0137-00	CAP ELEC SS 1uF 50V 20% 85C RAD HEIGHT= 7mm MAX
COILS		
L2301-L2303	07-002-0154-90	COIL 15uH ±30% W/BEAD RH3.5 X 1.3 X 3-4.5Ts-A
SLIDE SWITCH		
S2302	11-002-0042-90	SW SLIDE 2P2T RIGHT L=9
JACKS		
M2301-M2304	15-002-0030-90	PHONE JACK X2 BLACK PCB MOUNT 3.5mm RIGHT ANGLE SCJ351P00XS0B00G
XM CONNECTOR		
M2307*AH	16-001-0440-90	XM 4 PINS SMALL CONNECTOR B 2.4mm PCB MOUNT MITSUMI
DB9 CONNECTORS		
M2305	16-002-0200-90	DB9 FEMALE CONNECTOR PCB MOUNT RIGHT ANGLE
SMD ICS		
U2303	01-012-0075-90	IC 74HC86D LOGIC QUAD 2-INPUT EXCLUSIVE-OR GATE SMD 14 PINS SOIC
D2308	01-012-0076-90	IC CM1213 8-Channel Low Capacitance ESD Protection Arrays CM1213-08MR
U2301	01-015-0005-90	IC RS-232 DRIVERS AND RECEIVERS ST232BDR
U2302	01-028-0003-90	IC TPS2011A 8-SOIC

SMD RESISTORS

R2341	02-007-0127-00	RES SMD 15K OHM 0603 5%
R2309	02-007-0136-00	RES SMD 33K OHM 0603 5%
R2320 R2321	02-007-0146-00	RES SMD 47 OHM 0603 5%
R2304 R2308 R2313 R2316 R2319	02-007-0157-00	RES SMD 10K OHM 0603 1%
R2322 R2344 R2345 R2346 R2351		
R2356	02-007-0208-00	RES SMDES 0 OHM 1/8W 1206 5%
R2310	02-007-0267-00	RES SMD 100K OHM 5% 1/16W 0603
R2331 R2332 R2339	02-007-0288-00	RES SMD 0 OHM 5% 1/16W 0603
R2303	02-007-0292-00	RES SMD 2.2K OHM 1% 1/16W 0603
R2311 R2312 R2314 R2315 R2317 R2318	02-007-0323-00	RES SMD 3.3 OHM 5% 1W 2512
R2354	02-007-0343-00	RES SMD 22 OHM 5% 1/10W 0805
R2305 R2306 R2307	02-007-0356-00	RES SMD 560 OHM 5% 1/10W 0805
R2358 R2359	02-007-0396-00	RES SMD 100 OHM +/-5% 1W 2512

SMD CAPACITORS

C2305 C2306 C2307 C2308	03-009-0075-00	CAP CER SMD 0.1uF 50V 20% Y5V 0603
C2315 C2326 C2327		
C2302 C2303 C2304	03-009-0078-00	SMD CER CAP 47pF/50V 10% NPO 0603
C2317	03-009-0111-00	CAP CER SMD 100pF 50V 10% X7R 0603
C2301	03-009-0113-00	CAP CER SMD 10nF 50V 10% X7R 0603

SMD DIODES

D2301 D2302 D2303 D2304 D2305 D2306	04-006-0021-90	SMD Diode LL4148 SOD80
Q2309 Q2311 Q2313	05-004-0031-90	XTR 2SB1275 PNP POWER 160V/1.5A 50MHz HFE 82-180 SMD

SMD TRANSISTORS

Q2301 Q2303 Q2305 Q2307 Q2308	05-004-0035-90	TRANSISTOR SS NPN HFE30 250MHz SPT DTC114EKAT146
Q2310 Q2312 Q2314 Q2321		
Q2302 Q2304 Q2306 Q2320	05-004-0037-90	TRANSISTOR SS PNP HFE 30 250MHz SPT DTA114EKAT146

JUMPERS

JMP3 JMP14 JMP19 JMP20 JMP21	17-016-0077-00	Jumper wire Dia. 0.5mm L=52.0mm
JMP34 JMP41 JMP42		
JMP1 JMP2 JMP4-JMP10 JMP12	17-016-0080-90	Jumper Wire Dia. 0.5mm For L Smaller than 14mm
JMP13 JMP15-JMP18 JMP22-JMP33		
JMP35-JMP40 JMP43 JMP44		

VIDEO 6 BOARD

PCB ASSEMBLY	50-931-0175-90	T175 VIDEO-6 ASSY
---------------------	-----------------------	--------------------------

CAPACITORS

C9309 C9307 C9315 C9320-9321	03-002-0073-00	E CAP 22uF/16V P=1.5 D=4.2 H=7.6
C9302-9305 C9314	03-002-0140-00	CAP ELEC SS 2.2uF 50V 20% 85C RAD P=1.5

FIBRE OPTIC

M9301	04-009-0004-90	FIBRE OPTIC RECEIVING UNIT 700nm JSR1164-D
-------	----------------	--

JACKS

M9302	15-002-0028-90	PHONE JACK 1 BLACK PCB MOUNT 3.5mm RIGHT
-------	----------------	--

M9308	15-002-0029-90	PHONE JACK D6.3 1 PCB MOUNT GOLD
M9305	15-003-0048-90	RCA JACK 1 YELLOW PCB MOUNT GOLD RCA-105BL1-13Z1
M9306	15-003-0049-90	RCA JACK 1 RED PCB MOUNT GOLD RCA-105AL1-14Z1
M9307	15-003-0050-90	RCA JACK 1 WHITE PCB MOUNT GOLD RCA-105AL1-12Z1
M9304	15-017-0001-90	DIN JACK 1 BLACK PCB MOUNT MD-113

SMD IC

U9301	01-014-0041-00	IC AUDIO LOW NOISE OP-AMP SMD NJM5532M
-------	----------------	--

SMD RESISTORS

R9333	02-007-0042-00	RES SMDES 1K OHM 0603 5%
R9301	02-007-0134-00	RES SMDES 4.7 OHM 0805 5%
R9307 R9310 R9311 R9330-9332	02-007-0136-00	RES SMD 33K OHM 0603 5%
R9320 R9323 R9327	02-007-0139-00	RES SMD 4.7K OHM 0603 5%
R9313	02-007-0143-00	RES SMD 18K OHM 0603 5%
R9319 R9326	02-007-0157-00	RES SMD 10K OHM 0603 1%
R9317	02-007-0160-00	RES SMD 43K OHM 0603 5%
R9325 R9324	02-007-0267-00	RES SMD 100K OHM 5% 1/16W 0603
R9305 R9308 R9328 R9329	02-007-0288-00	RES SMD 0 OHM 5% 1/16W 0603
R9314,R9316	02-007-0292-00	RES SMD 2.2K OHM 1% 1/16W 0603
R9321-9322	02-007-0294-00	RES SMD 470 OHM 5% 1/16W 0603
R9318	02-007-0319-00	RES SMD 300 OHM 5% 1/16W 0603
R9302-9304	02-007-0357-00	RES SMD 75 OHM 5% 1/16W 0603

SMD CAPACITORS

C9301 C9316-9317 C9323-9324	03-009-0075-00	CAP CER SMD 0.1uF 50V 20% Y5V 0603
C9306 C9308 C9318-9319	03-009-0111-00	CAP CER SMD 100pF 50V 10% X7R 0603
C9310-9311	03-009-0112-00	CAP CER SMD 1nF 50V 10% X7R 0603
C9326	03-009-0113-00	CAP CER SMD 10nF 50V 10% X7R 0603
C9313	03-009-0114-00	CAP CER SMD 220pF 50V 10% X7R 0603
C9322	03-009-0116-00	CAP CER SMD 33pF 50V 10% X7R 0603
C9325	03-009-0127-00	CAP CER SMD 1uF 16V +80/-20% Y5V 0805

SMD TRANSISTORS

Q9303-9304 Q9305	05-004-0017-00	SMD Transistor 2SC4695 NPN SOT-23
Q9301-9302	05-004-0037-90	TRANSISTOR SS PNP HFE 30 250MHz SPT DTA114EKAT146

JUMPERS

JMP3-4 JMP6-8 JMP10 JMP14-15 JMP22	17-016-0077-00	Jumper wire Dia. 0.5mm L=52.0mm
JMP1 JMP5 JMP9 JMP11-13	17-016-0080-90	Jumper Wire Dia. 0.5mm For L Smaller than 14mm
JMP16-20 JMP23		

COMPONENT VIDEO BOARD

PCB ASSEMBLY	50-932-0775-90	T175/T775/T785 COMPONENT VIDEO ASSY
---------------------	-----------------------	--

JACKS		
M4001	15-002-0035-90	PHONE JACK 1 GREEN PCB MOUNT 3.5mm RIGHT
M4011 M4012	15-003-0033-90	RCA JACK 6 R-BL-G/R-BL-G PCB MOUNT GOLD
SMD ICS		
U4002-4003	01-012-0067-00	IC LOGIC ANALOG MULTIPLEXER/ DEMULTIPLEXER SMD SOIC-16 74HC4052D
U4001	01-026-0001-90	IC VIDEO 3-CHANNEL 75 OHM DRIVER SSOP BA7660FS
SMD RESISTORS		
R4021 R4023 R4024	02-007-0288-00	RES SMD 0 OHM 5% 1/16W 0603
R4004-4006	02-007-0352-00	RES SMD 470K OHM 5% 1/16W 0603
R4001-4003 R4011-4019	02-007-0357-00	RES SMD 75 OHM 5% 1/16W 0603
SMD CAPACITORS		
C4001 C4009-4010	03-009-0075-00	CAP CER SMD 0.1uF 50V 20% Y5V 0603
C4006-4008	03-009-0136-00	CAP ELEC SMD 10uF 16V +/-20% 4X5.4
C4003-4005	03-009-0138-00	CAP ELEC SMD 1000uF 10V +/-20% 10x10.5
C4002 C4011-4019	03-009-0141-00	CAP ELEC SMD 2.2uF 50V +/-20% 4x5.4
HDMI BOARD PCB ASSEMBLY		
	50-933-0775-90	T175/T775/T785 HDMI ASSY
INDUCTORS		
L1 L2	07-002-0138-90	INDUCTOR AXIAL 180uH +/- 10% 2474R-28LK
L15	07-002-0148-90	INDUCTOR AXIAL 330uH 2.5A +/- 10%
SMD ICS		
VR201 VR6	01-004-0057-90	IC VOLT REG. LM1117S-1.8 LOW DROPOUT 1.8V 1A SOT-223
U20	01-010-0026-90	IC XC9572XL-5TQ100C IN-SYSTEM PROGRAMMABLE CPLD SMD 100 PIN TQFP
U2 U11 U16 U24 U32	01-012-0076-90	IC CM1213 8-Channel Low Capacitance ESD Protection Arrays CM1213-08MR
U5	01-012-0077-90	IC PCA9517 LEVEL TRANSLATING I2C- BUS REPEATER PCA9517D SMD SO8
U10 U201	01-012-0078-90	IC PCF8574 REMOTE 8-BIT I/O EXPANDER FOR I2C-BUS PCF8574T SMD SO16
U9 U13	01-012-0079-90	IC PI3B16233 3.3V 16-BIT TO 32-BIT FET MUX/DEMUX NANOSWITCH PI3B16233AE SMD TOSSOP 56PIN
U200	01-012-0082-90	IC LOGIC OCTAL BUFFERS/DRIVERS WITH 3-STATE OUTPUTS 20PIN TSSOP SN74AHCT244PWR
U18 U22 U26	01-014-0052-90	IC AD8061ART 300MHz RAIL-TO-RAIL AMPLIFIER SMD 5-PINS SOT-23
U17 U21 U25 U27 U29 U30	01-014-0055-90	IC AD8063ARTZ 300MHz RAIL-TO-RAIL AMPLIFIER SMD 6-PINS SOT-23
U19	01-026-0007-90	IC MC141585DW LCD MONITOR OSD II - 16 SMD 16 PINS SOIC

U15 U23	01-028-0002-90	IC TMDS341PFC 3-TO-1 DVI/HDMI SWITCH SMD 80 PINS PQFP
U28	01-029-0006-90	IC ADV7320KSTZ MULTIFORMAT 216MHz VIDEO ENCODER SMD 64 PINS LQFP
U12	01-029-0007-90	IC ADV7403 INTEGRATED MULTIFORMAT SDTV/HDTV VIDEO DECODER SMD 100 PINS LQFP
U14	01-029-0008-90	IC AD9388 10-BIT INTEGRATED MULTIFORMAT VIDEO DECODER AD9388KSTZ SMD 144PIN LQFP
U31	01-029-0011-90	IC AD9389B 800MHz HIGH PERFORMANCE HDMI/DVI TRANSMITTER AD9389KSTZ-80 SMD 80 PIN LQFP
VR3	01-030-0006-90	IC LM2575S-5.0 1A STEP-DOWN VOLTAGE REGULATOR SMD 5 PIN TO-263
VR4	01-030-0007-90	IC LM2575S-3.3 1A STEP-DOWN VOLTAGE REGULATOR SMD 5 PIN TO-263
VR2 U7	01-030-0008-90	IC VOLT REG. LOW DROPOUT 2.5V 1A SOT-223 LM1117S-2.5
VR200	01-030-0009-90	IC LM1086CS-3.3 3.3V 1.5A LDO VOLTAGE REGULATOR SMD 3 PIN TO-263
SMD RESISTORS		
RN1 RN2 RN3 RN4 RN5 RN6 RN7 RN8 RN9 RN10 RN11 RN12 RN13	02-003-0060-00	RES NETWORK 22 OHM X 8 5% 0.063W
R1 R2 R3 R4 R5 R11 R13 R14 R18 R28 R32 R64 R66 R200 R205	02-007-0028-00	RES SMD 4.7K OHM 5% 1/10W 0805
R82	02-007-0055-00	RES SMD 750 OHM 0805 5%
R20	02-007-0087-00	RES SMD 10K OHM 1/8W 0805 1%
R103-R106	02-007-0089-00	RES SMD 0 OHM 1/8W 0805 5%
R76 R87 R89	02-007-0311-00	RES SMD 1820 OHM 1% 1/10W 0805
R51 R61 R73 R77 R85 R90 R91 R94 R95	02-007-0320-00	RES SMD 301 OHM 1% 1/10W 0805
R43 R54	02-007-0326-00	RES SMD 4.64K OHM 1% 1/10W 0805
R50 R53 R60 R72	02-007-0329-00	RES SMD 499 OHM 1% 1/10W 0805
R84 R92 R93	02-007-0332-00	RES SMD 604 OHM 1% 1/10W 0805
R29 R30 R35 R36 R37 R49 R41 R44	02-007-0336-00	RES SMD 75 OHM 1% 1/10W 0805
R59 R56 R57 R71 R63 R65 R75 R86 R88		
R10 R12 R17 R19 R21 R33 R34 R45 R47	02-007-0340-00	RES SMD 1 OHM 5% 1/10W 0805
R52 R67 R68 R71 R74 R80 R81 R118 R210 R211 R212 R213		
R6-R9 R24-R27 R38-R40 R42 R46	02-007-0343-00	RES SMD 22 OHM 5% 1/10W 0805
R55 R62 R69 R78 R79 R96 R102 R111-R116 R208 R209		
R22 R23 R202 R203	02-007-0344-00	RES SMD 2.7K OHM 5% 1/10W 0805
R16	02-007-0353-00	RES SMD 47 OHM 5% 1/10W 0805
R98	02-007-0363-00	RES SMD 49.9K OHM 1% 0805 1/10W
R100	02-007-0364-00	RES SMD 680 OHM 1% 0805 1/10W
FB1 FB2 FB4	02-007-0366-00	EMI BEAD SMT 120 OHM 500mA 0603
R201 R83	02-007-0430-00	RES SMD 1.5K OHM 1% 1/10W 0805
R206 R207	02-007-0431-00	RES SMD 2.67K OHM 1% 1/10W 0805
R204 R15	02-007-0432-00	RES SMD 1.69K OHM 1% 1/10W 0805
R48 R70 R58	02-007-0484-00	RES SMDISTOR 1.3k OHM 0805 1%

R97	02-007-0486-00	RES SMD 887 OHM 0805 1%
R117	02-007-0487-00	RES SMD 18 OHM 1/10W 0805 1%
R31	02-007-0488-00	RES SMDISTOR 56 OHM 0805 1%
R99 R101	02-007-0492-00	RES SMD 3.01K OHM 0805 1%
SMD CAPACITORS		
C18 C19 C22 C43 C47 C130 C160	03-005-0015-00	CAP TANTALUM 10uF 10V +/- 10% A
C162 C204 C205 C206 C207 C236		CASE
C46 C50	03-005-0016-00	CAP TANTALUM 22uF 10V +/- 10% B
		CASE
C9 C10	03-009-0073-00	CAP CER CAP 100pF/50V 5% NPO 0805
C1 C4 C13 C17 C21 C23-27 C29-34	03-009-0074-00	CAP CER CAP 0.1uF/50V 10% X7R 0805
C37-38 C41-42 C48 C52-53 C57-58		
C60 C62 C64 C66-67 C69-74 C76		
C79-86 C88-91 C95-115 C117-118		
C120-123 C125-128 C141 C144		
C146-148 C150-152 C155-156 C159		
C161 C163-164 C166-171 C210-215		
C227-234		
C11 C12 C20 C51 C54 C59 C65 C77	03-009-0126-00	CAP CER SMD 10nF 50V 10% X7R 0805
C92-C94 C132-C136 C140 C142 C143		
C145 C149 C153 C154 C157 C158		
C201-C203 C216-C223 C238		
C2 C3 C15 C16 C235 C237	03-009-0127-00	CAP CER SMD 1uF 16V +80/-20% Y5V
		0805
C36 C40 C45 C224 C225	03-009-0132-00	CAP CER SMD 33pF 100V 0805 +/-5%
		NPO
C14 C208 C209	03-009-0146-00	CAP CER SMD 0.082uF 25V 10% X7R
		0805
C63 C68 C75 C78	03-009-0147-00	CAP CER SMD 10uF 10V +80% -20%
		0805
C119	03-009-0148-00	CAP CER SMD 3900pF 50V 10% X7R
		0805
C49 C55 C56	03-009-0149-00	CAP CER SMD 68pF 50V 5% NPO 0805
C116	03-009-0150-00	CAP CER SMD 820pF 50V 10% X7R
		0805
C35 C39 C44	03-009-0151-00	CAP CER SMD 82pF 50V 5% NPO 0805
C5 C7	03-009-0152-00	SMD E CAP 100uF/16V ±20% LOW
		IMPEDANCE D CASE 6.3 X 5.8
C6 C8	03-009-0154-00	SMD E CAP 220uF/16V ±20% LOW
		IMPEDANCE D CASE 6.3 X 7.7
C28	03-009-0165-00	CAP CER SMD 1000pF 100V +/-5% NPO
		0805
C200	03-009-0186-00	CAP CER SMD 8200pF 50V 10% C0G
		0805
SMD DIODES		
D1 D2	04-001-0049-90	DIODE SHKY 1A/40V DO-213AB SM5819
SMD TRANSISTORS		
Q1-Q5	05-004-0035-90	TRANSISTOR SS NPN HFE30 250MHz
		SPT DTC114EKAT146
SMD INDUCTOR		
L3 L5 L7	07-007-0020-90	IND SMD 220nH 10% 0805
L9 L10 L11 L12 L13 L14	07-007-0021-90	IND SMD 3.3uH 10% 0805
L4 L6 L8	07-007-0022-90	IND SMD 470nH 10% 0805

SMD OSCILLATOR

X200	14-004-0018-90	CRYSTAL 28.63636MHz 30ppm 18pF SMD HC-49SM 01-CR1-03-28M63636-18-3030
U3	14-004-0022-90	CRYSTAL OSCILLATOR 28.63636MHz +/-50ppm 3.3V SMD

SMD FUSE

F200	20-006-0007-90	SMD Fuse SMD2920P075TF 0.75A Circuit Breaker Resettable VDE
------	----------------	--

CONNECTOR #1 BOARD

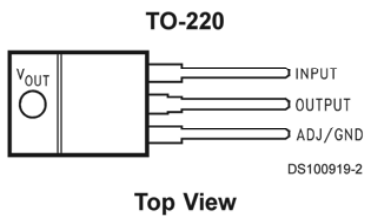
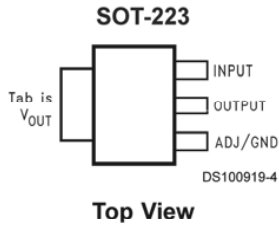
PCB ASSEMBLY	50-938-0175-90	T175 CONNECTION # 1 ASSY
---------------------	-----------------------	---------------------------------

IC BLOCK DIAGRAM

MAINBOARD

LM1117

(U1016, U1020, U1034 in DSP, VR201, VR2, VR6, U7 in HDMI)



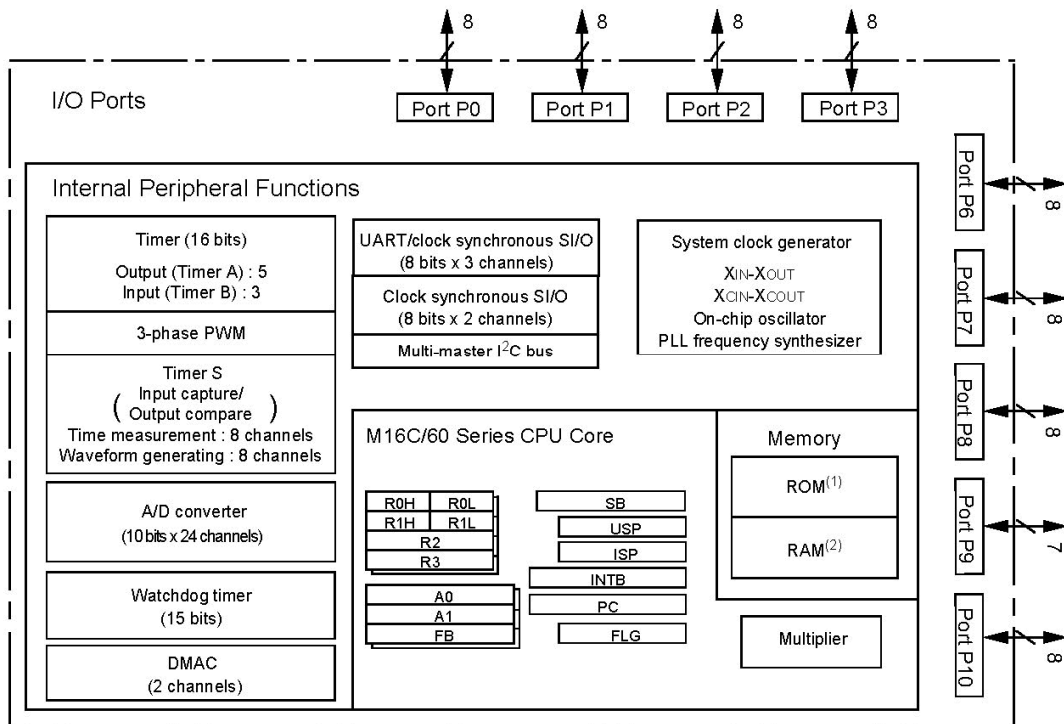
AME8530

(U2006)

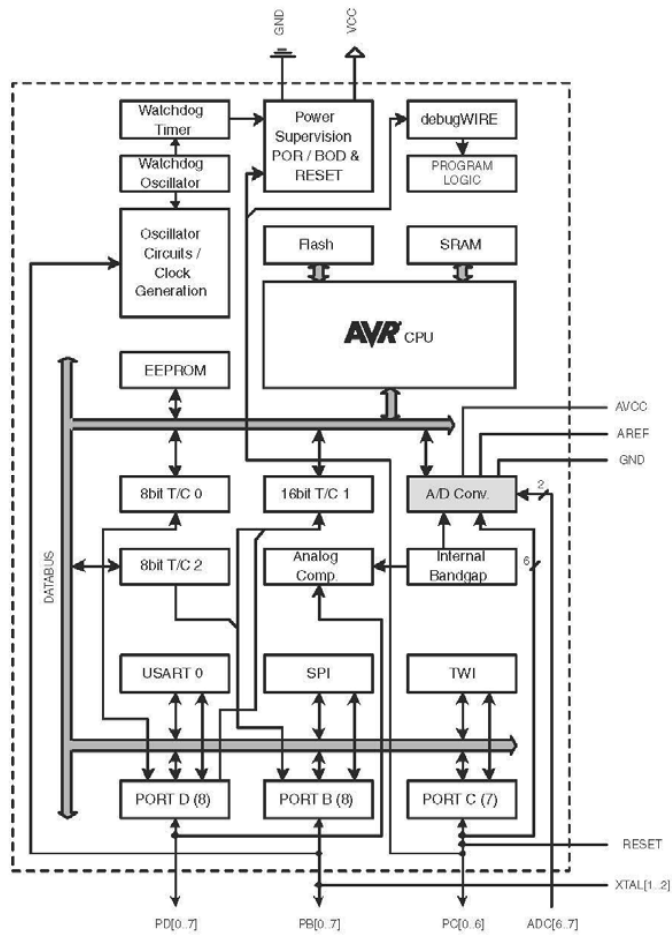


M30280

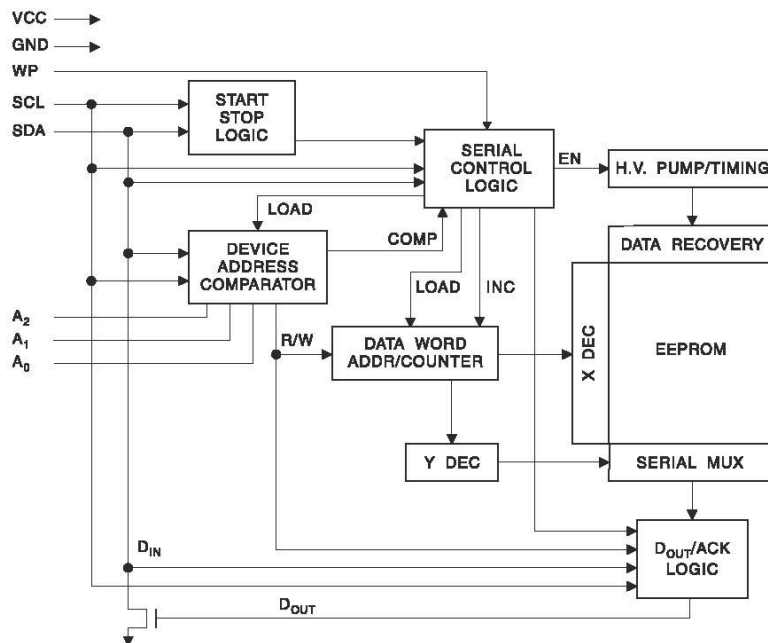
(U2001)



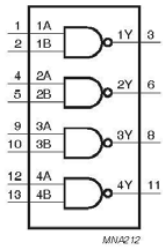
ATMEGA48-20
(U2014)



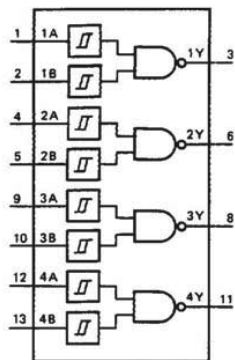
AT24C16
(U2002)



74HC00D
(U2015)

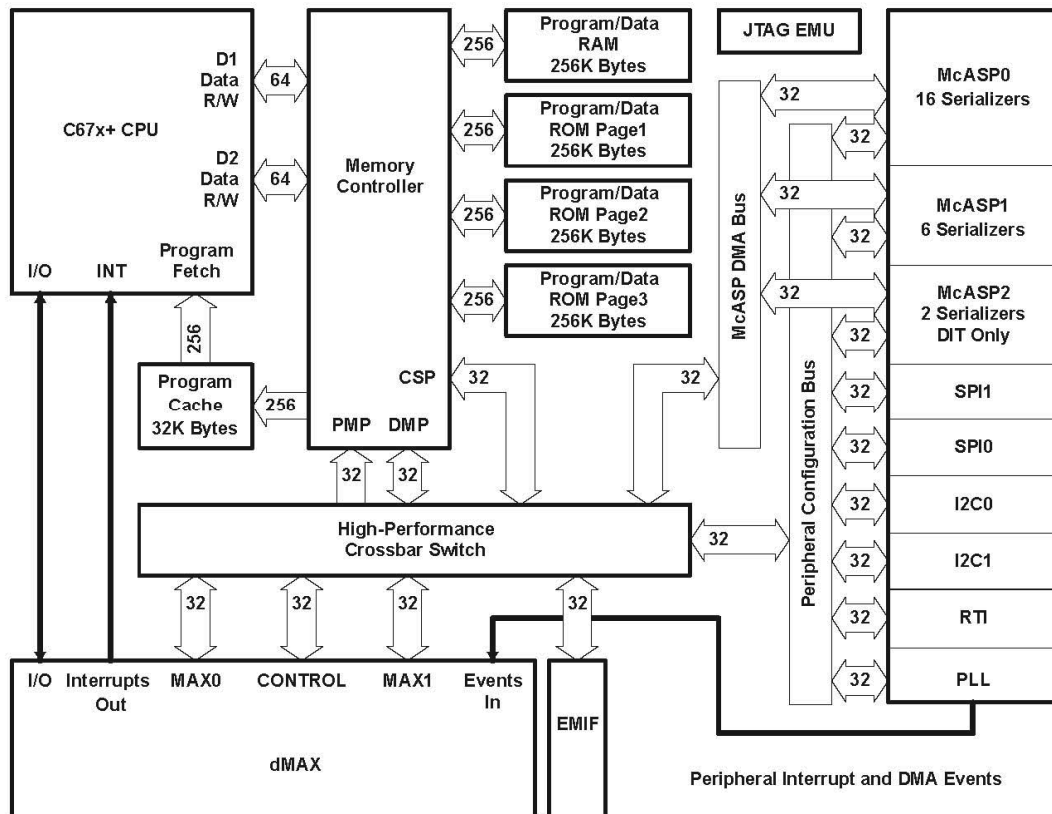


74HC132
(U2005)

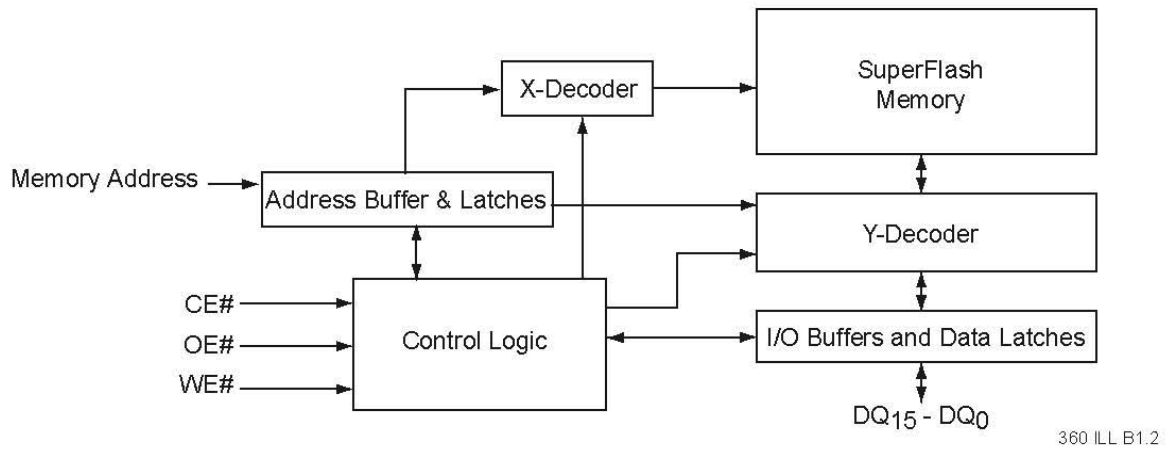


DSP

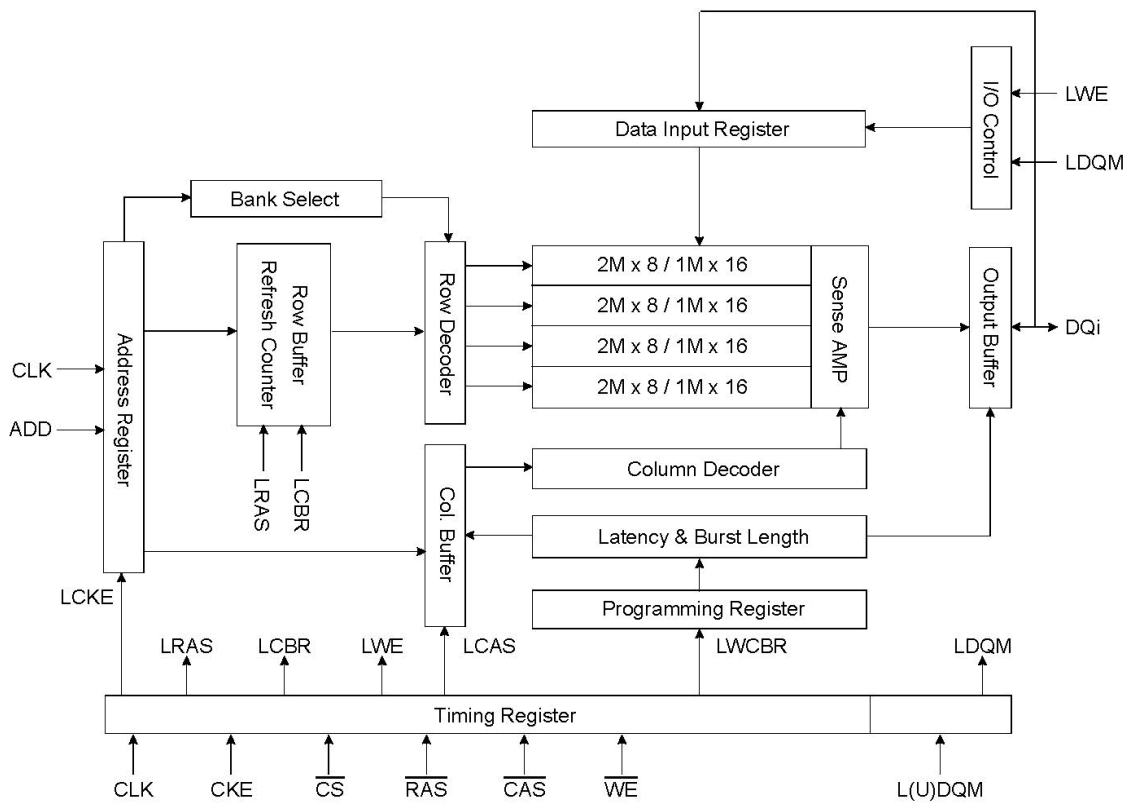
D708E0001BRFP266
(U1001)



SST39VF800
(U1004)

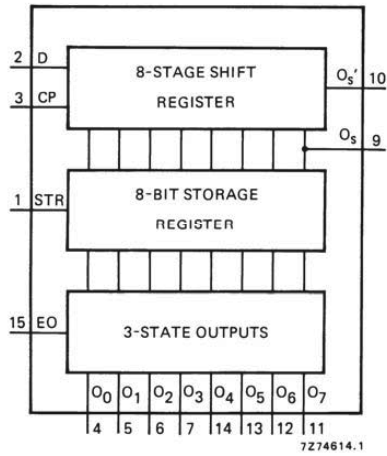


K4S641632K
(U1003)



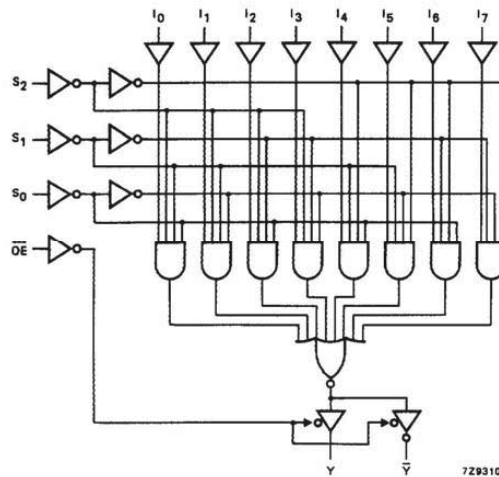
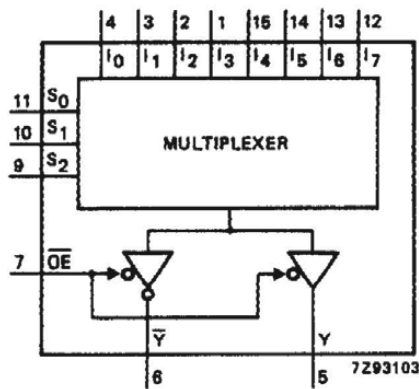
HEF4094BT

(U2201, U4107 in Composite, U1007, U1008 in DSP, U6901 in Pre-Out, U5501 in AMP-L, U6003 in Volume)



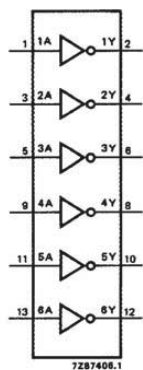
74HC251D

(U1005)

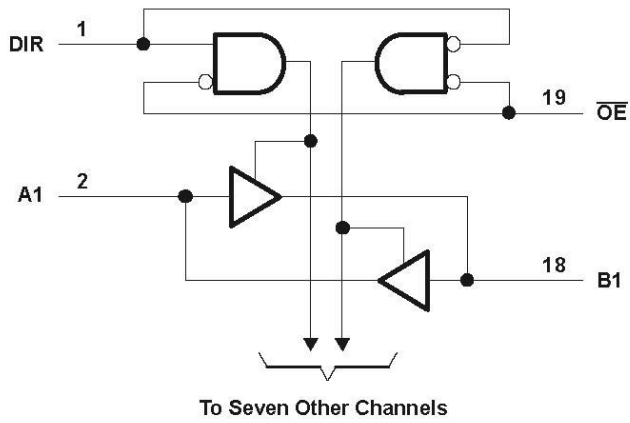
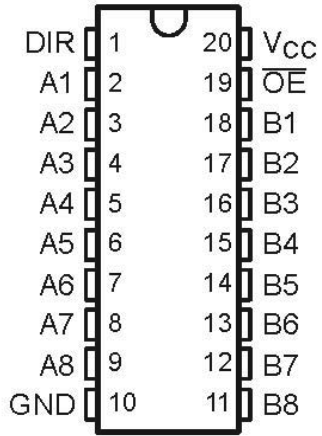


74HCU04D

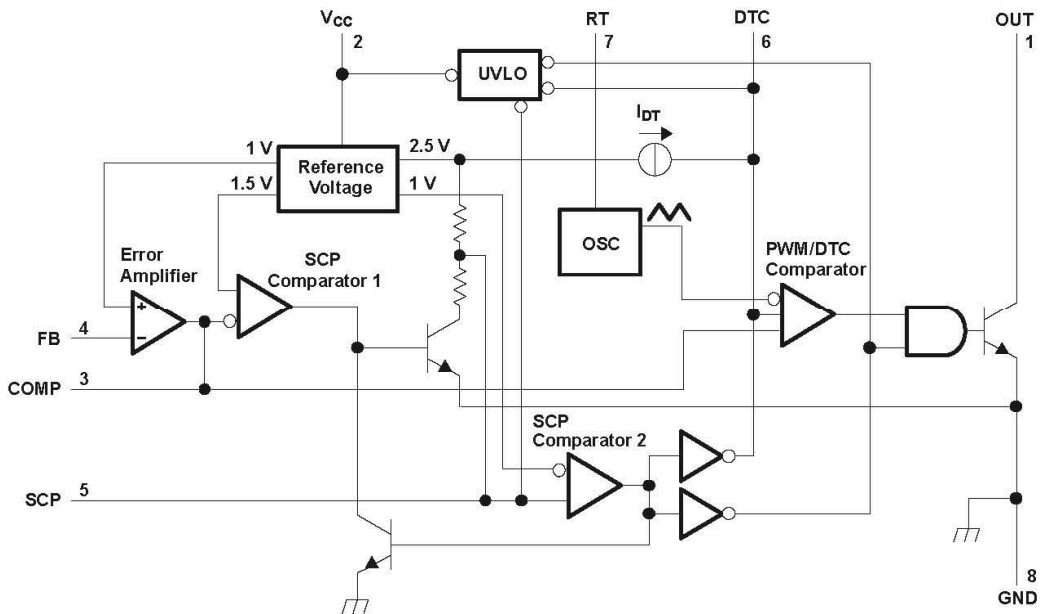
(U1018, U1019)



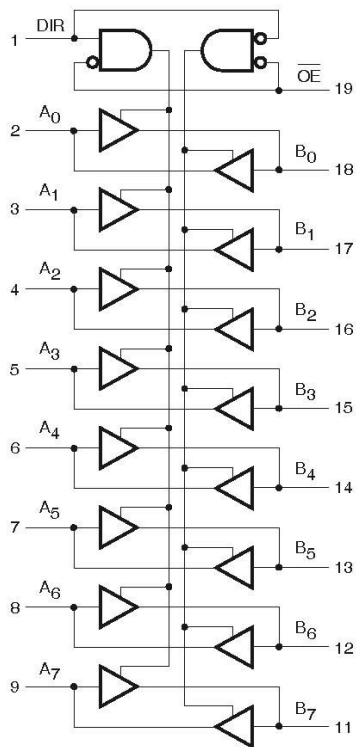
SN74LVC245
(U1010, U1022)



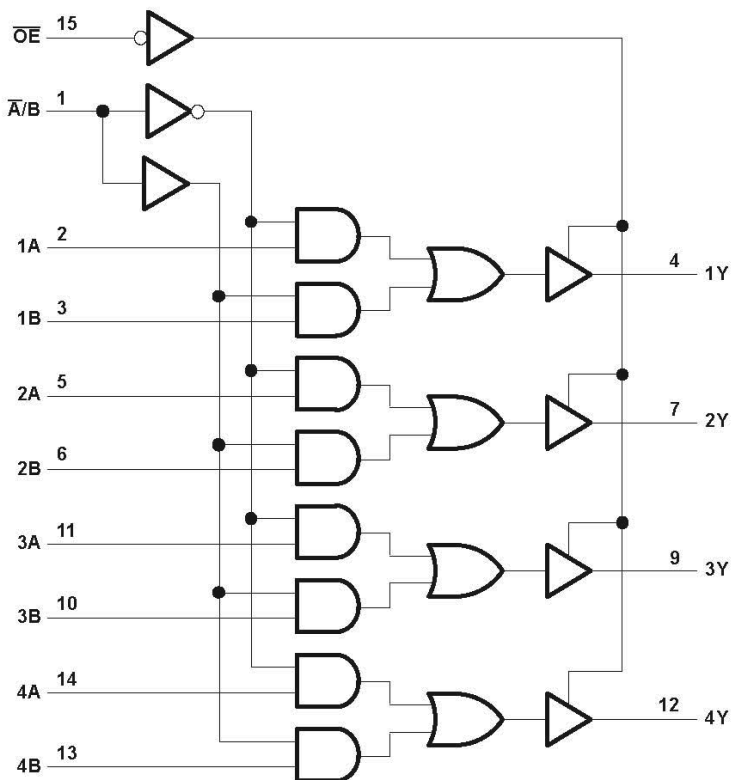
TL5001CD
(U1011)



SN74HCT245
(U1009)

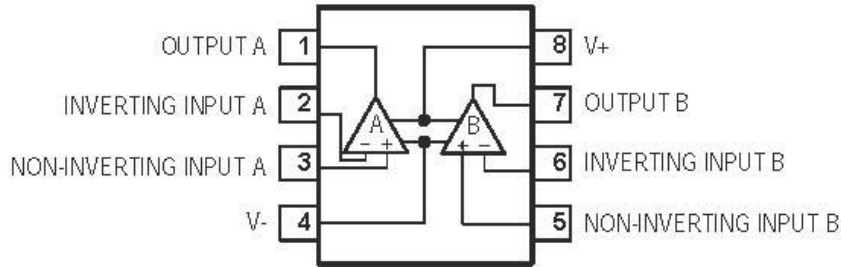


SN74LVC257AD
(U1033, U1035, U1036)



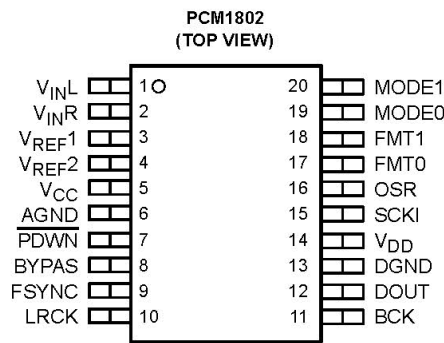
NJM5532M

(U1023, U1027-1031, U9301 in F-input, U6501, U6601, U6701, U6801 in Pre-Out, U6004-6007, U6018 in Volume)

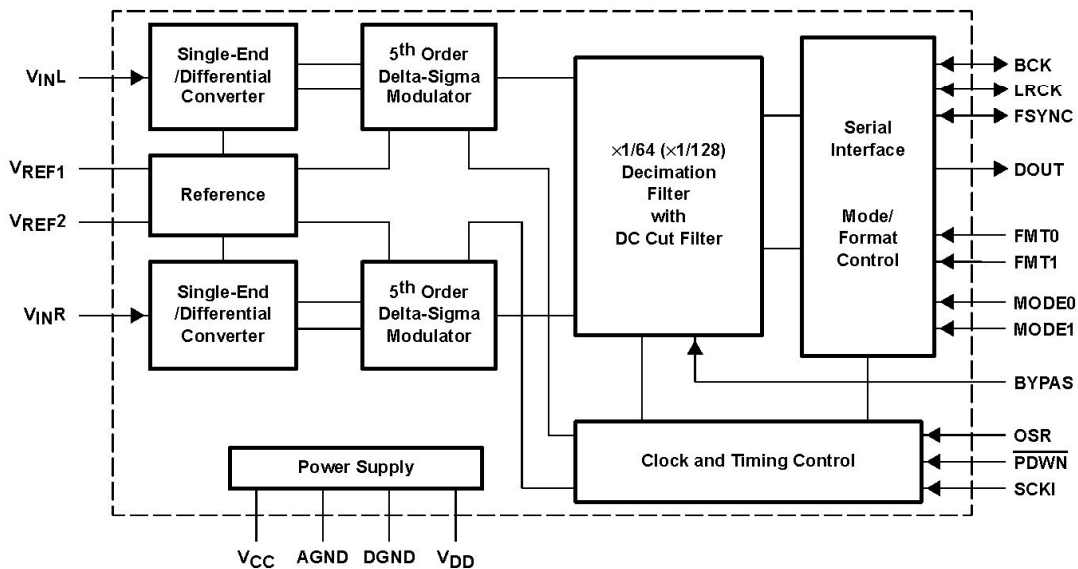


PCM1802

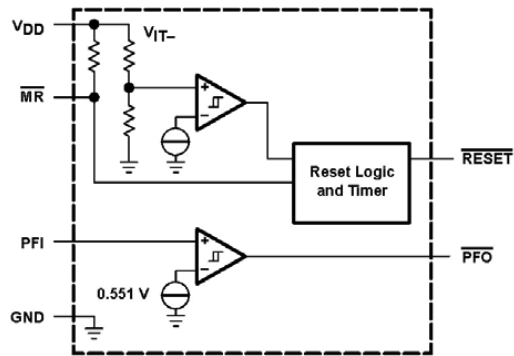
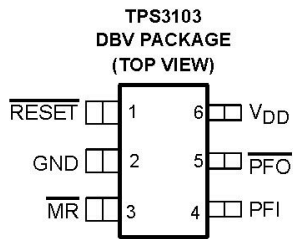
(U1017)



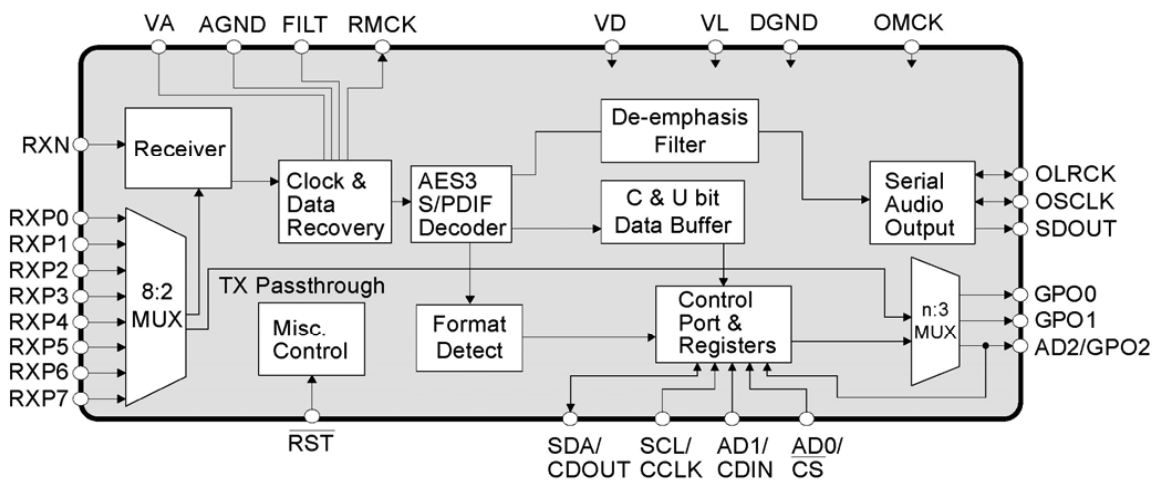
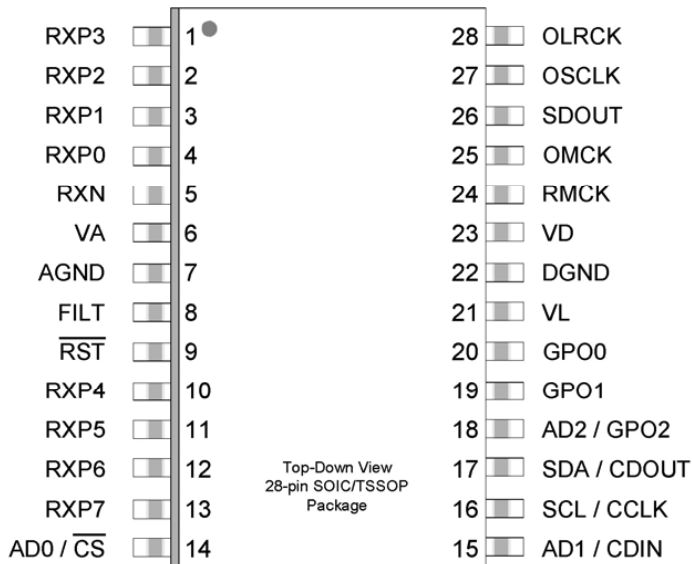
block diagram



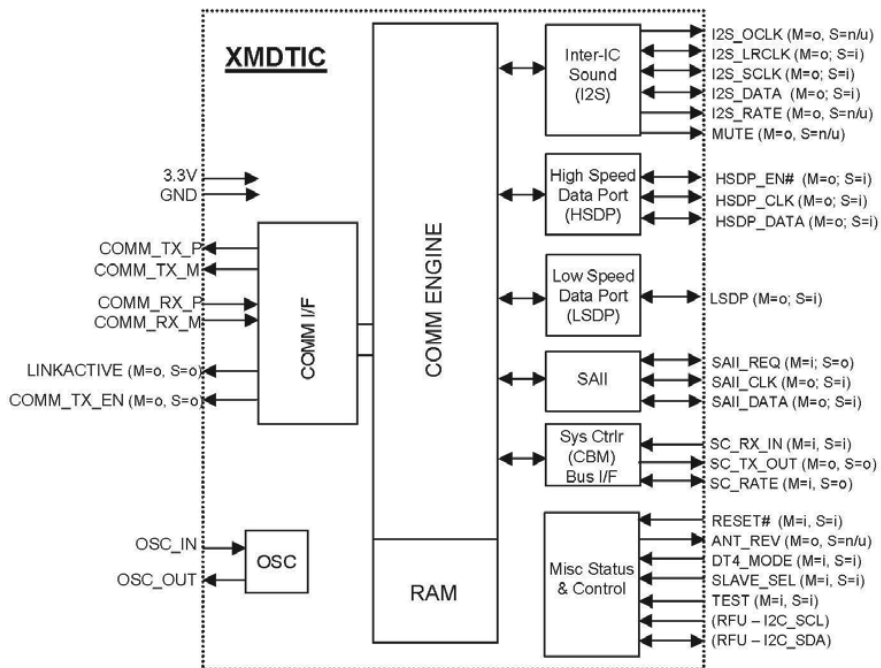
TPS3103
(U1021)



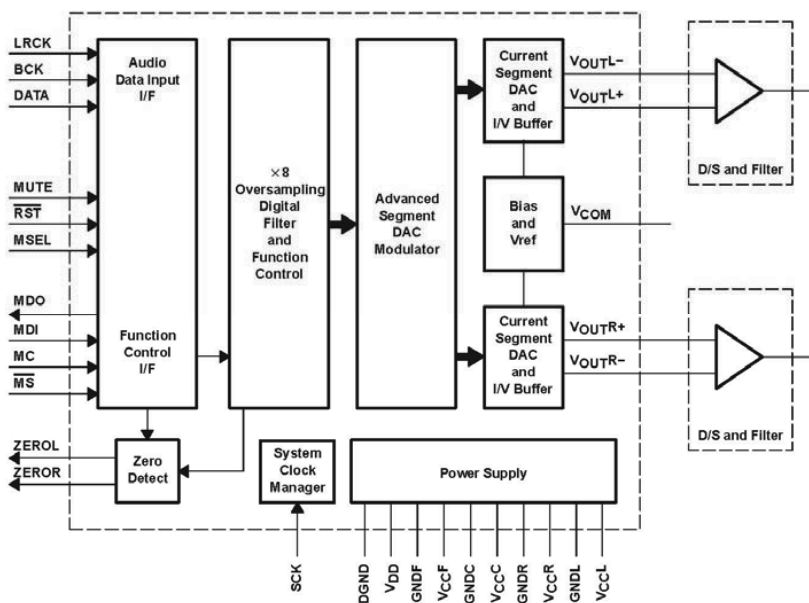
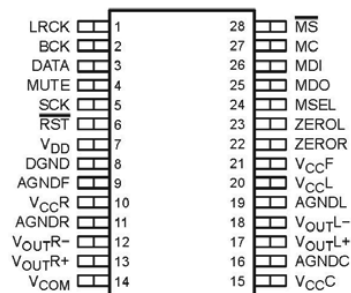
CS8416
(U1002)



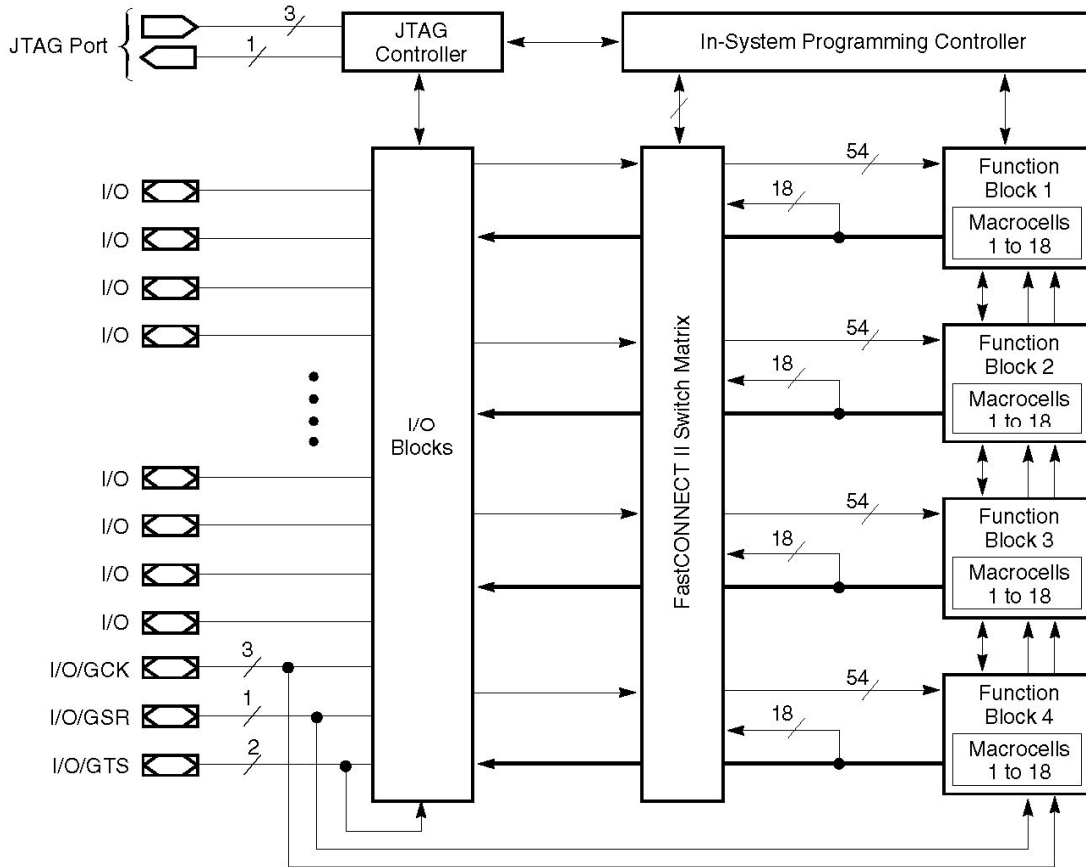
BU9450
(U1032)



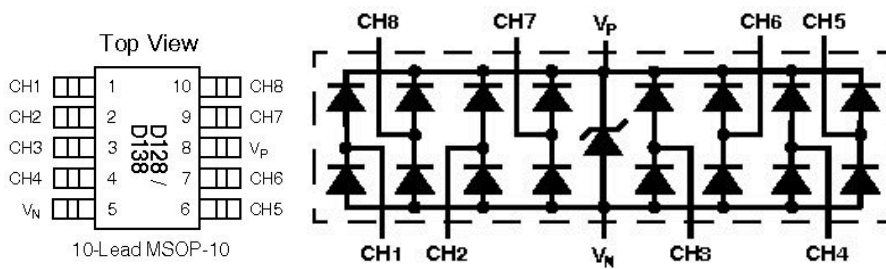
PCM1791A
(U1012-1016)



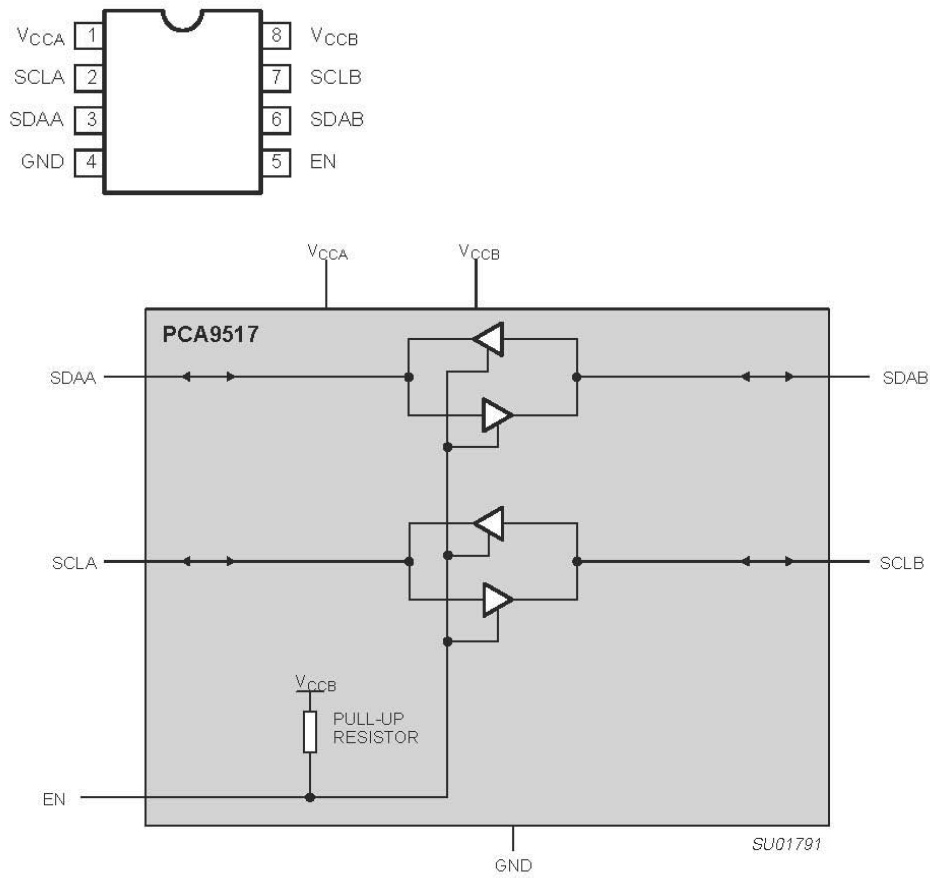
HDMI
XC9572XL
(U20)



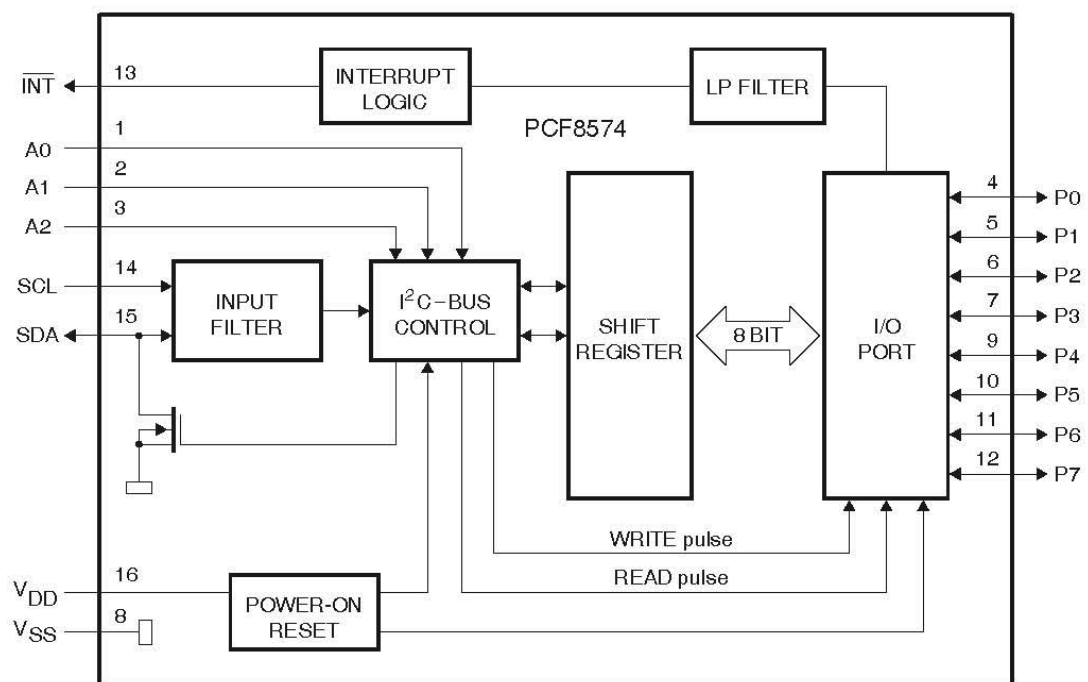
CM1213-8
(U2, U11, U16, U24, U32, D2308 in Trigger)



PCA9517
(U5)

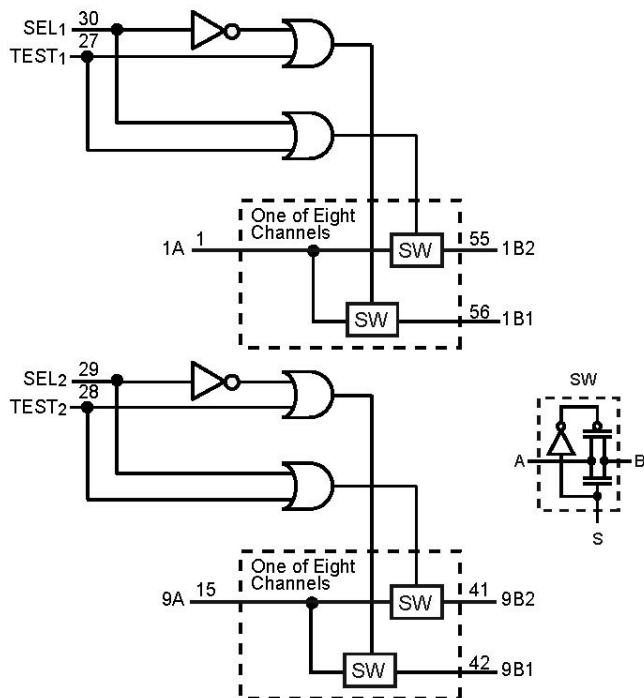


PCF8574
(U10, U201)

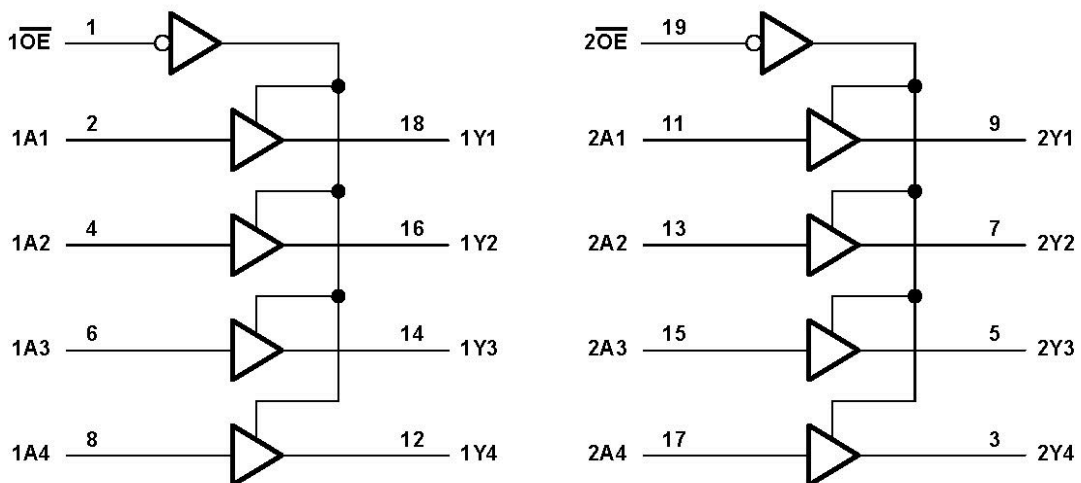


PI3B16233
(U9, U13)

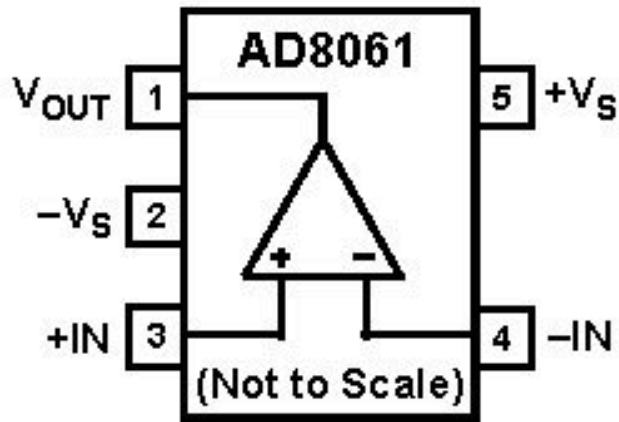
1A	1	56	1B1
2B1	2	55	1B2
2B2	3	54	2A
3A	4	53	3B1
4B1	5	52	3B2
4B2	6	51	4A
5A	7	50	5B1
6B1	8	49	5B2
6B2	9	48	6A
7A	10	47	7B1
8B1	11	46	7B2
8B2	12	45	8A
GND	13	44	GND
Vcc	14	43	Vcc
9A	15	42	9B1
10B1	16	41	9B2
10B2	17	40	10A
11A	18	39	11B1
12B1	19	38	11B2
12B2	20	37	12A
13A	21	36	13B1
14B1	22	35	13B2
14B2	23	34	14A
15A	24	33	15B1
16B1	25	32	15B2
16B2	26	31	16A
TEST1	27	30	SEL1
TEST2	28	29	SEL2



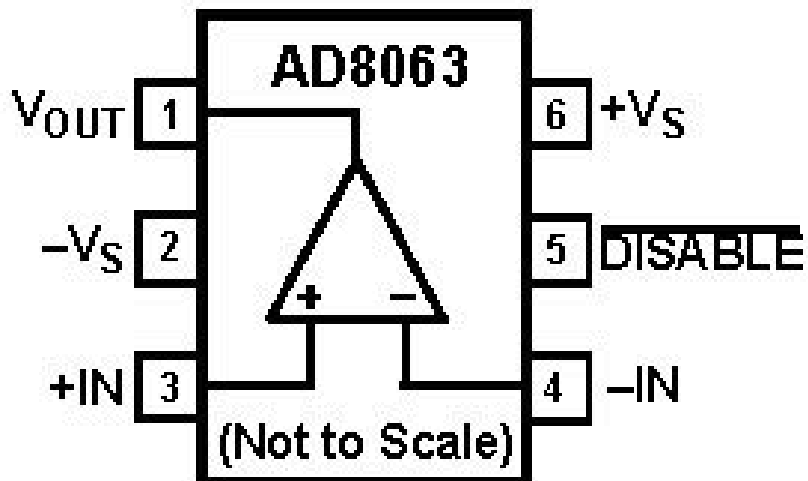
SN74AHCT244
(U200)



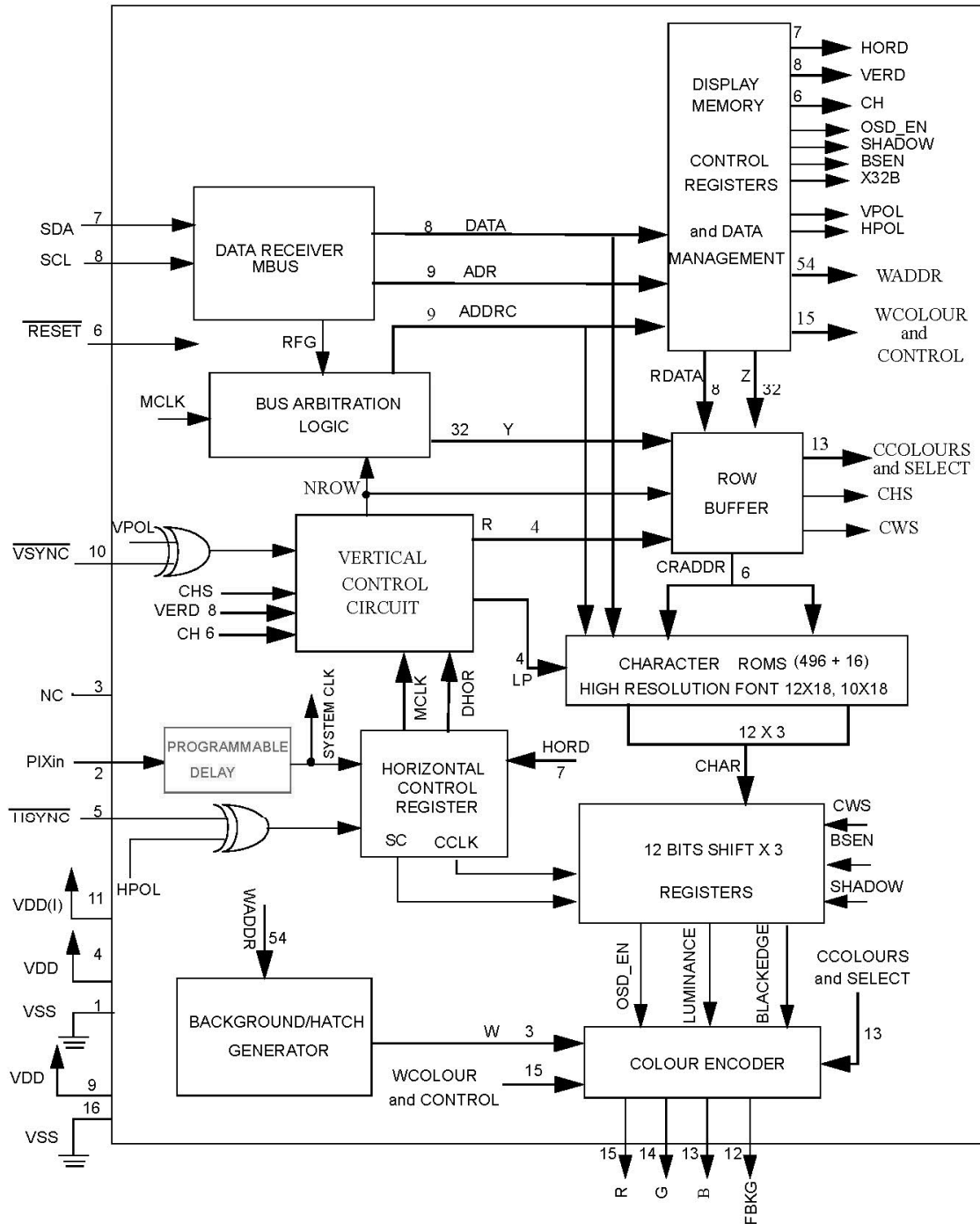
AD8061
(U18, U22, U26)



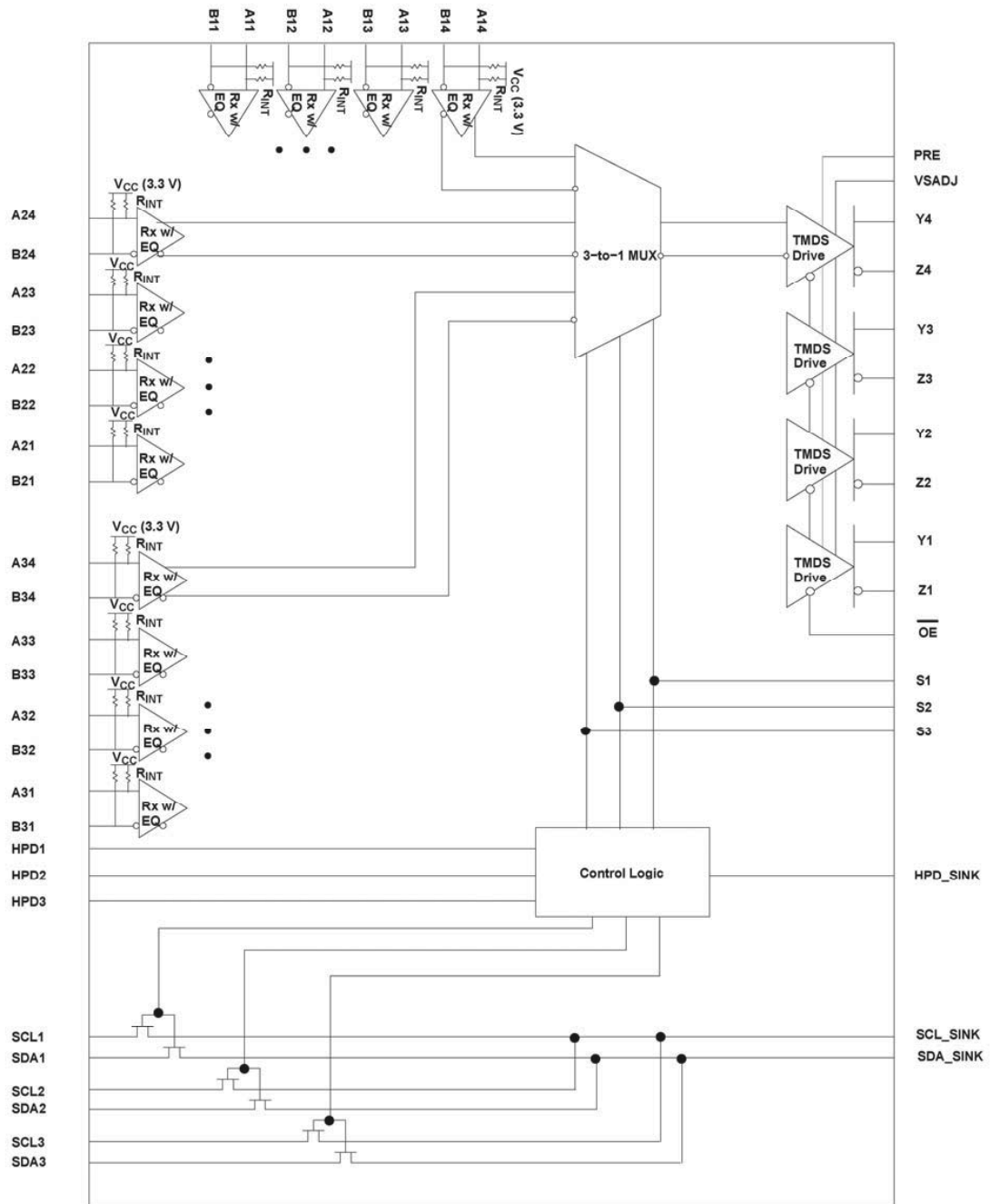
AD8063
(U17, U21, U25, U27, U29, U30)



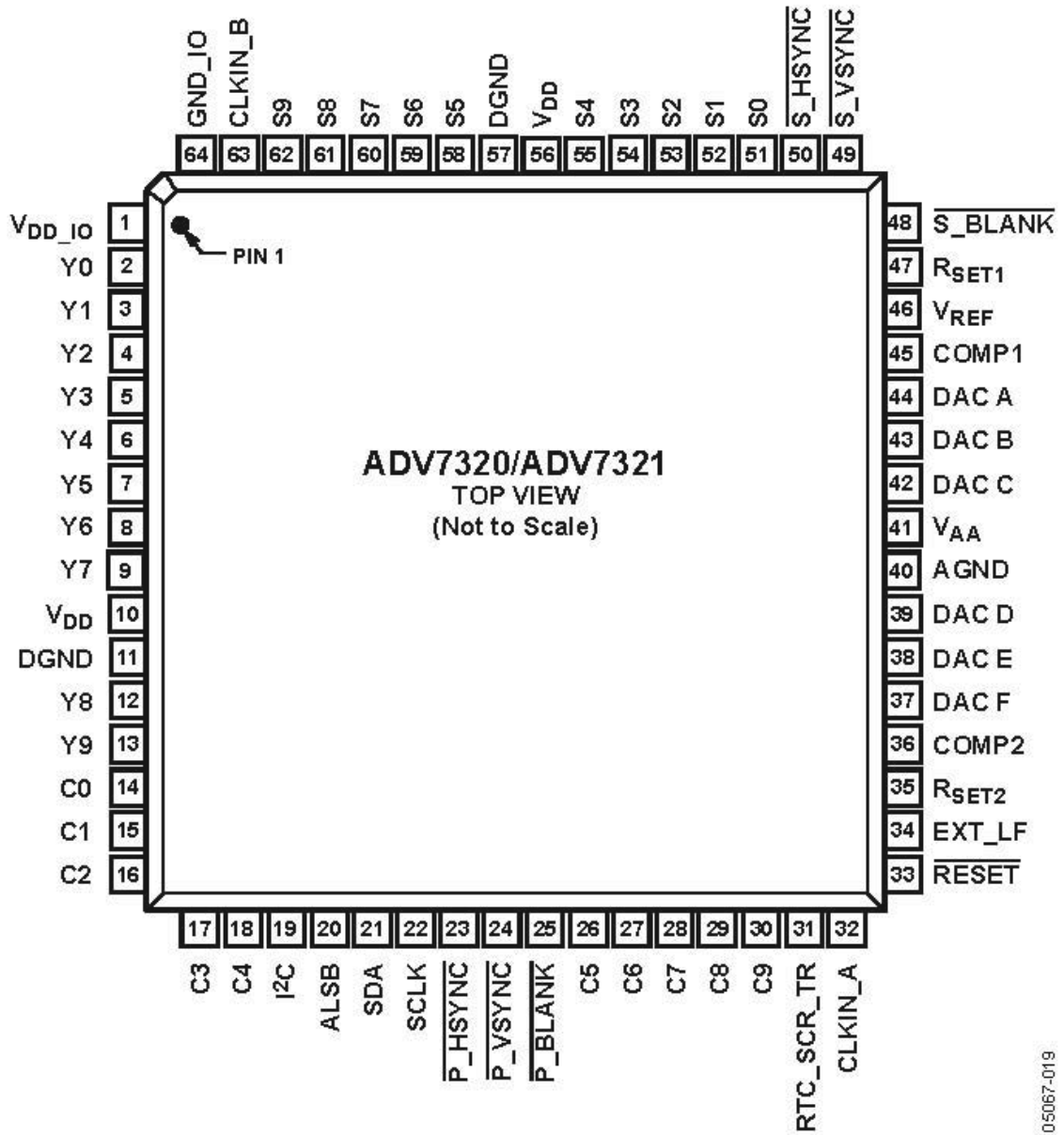
MC141585DW
(U19)



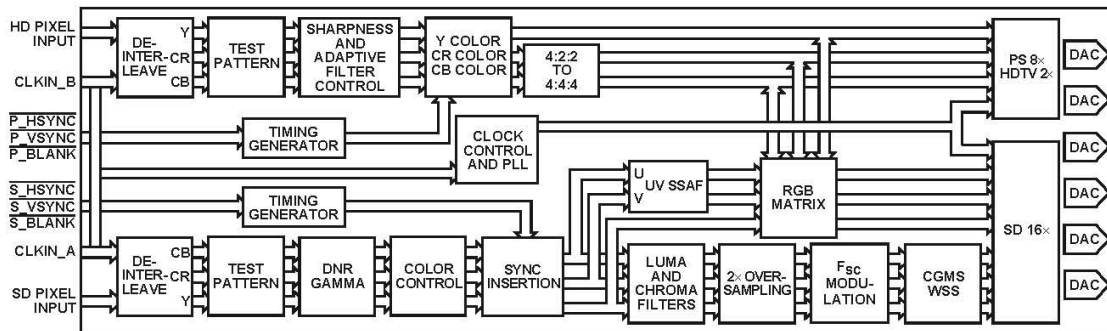
TMD5341
(U15, U23)



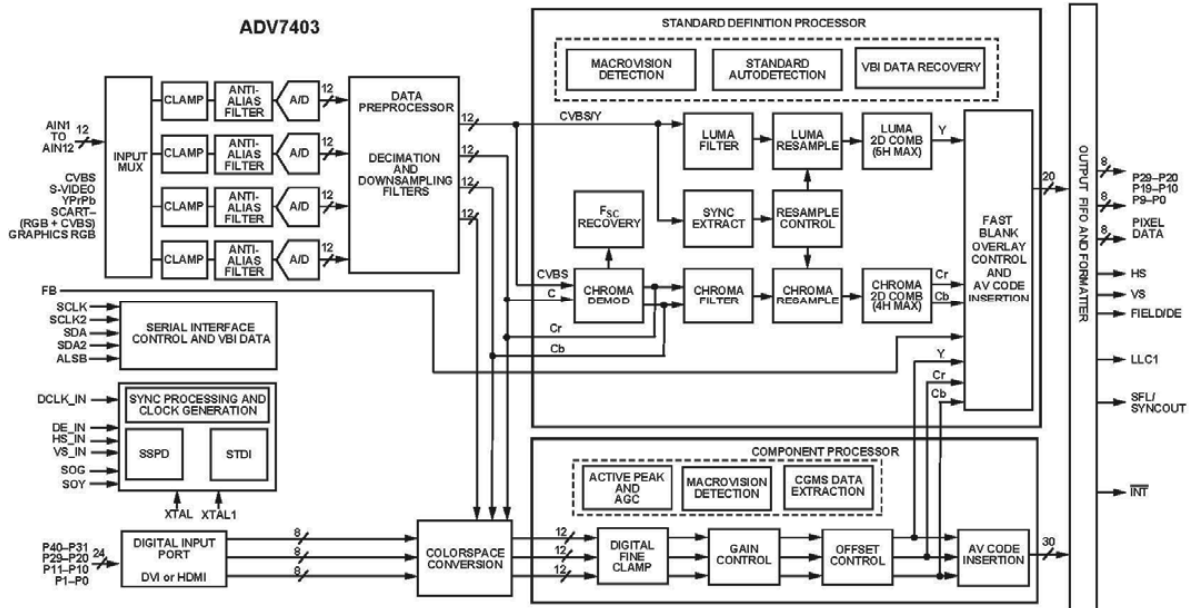
ADV7320
(U28)



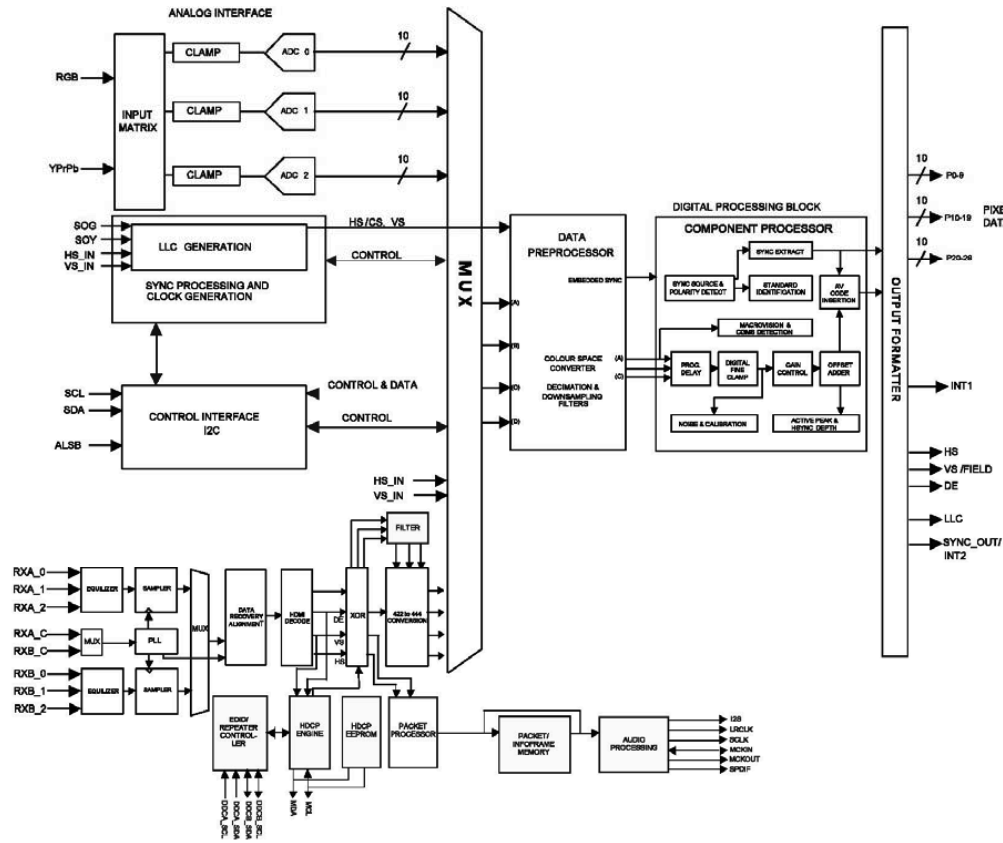
05067-019



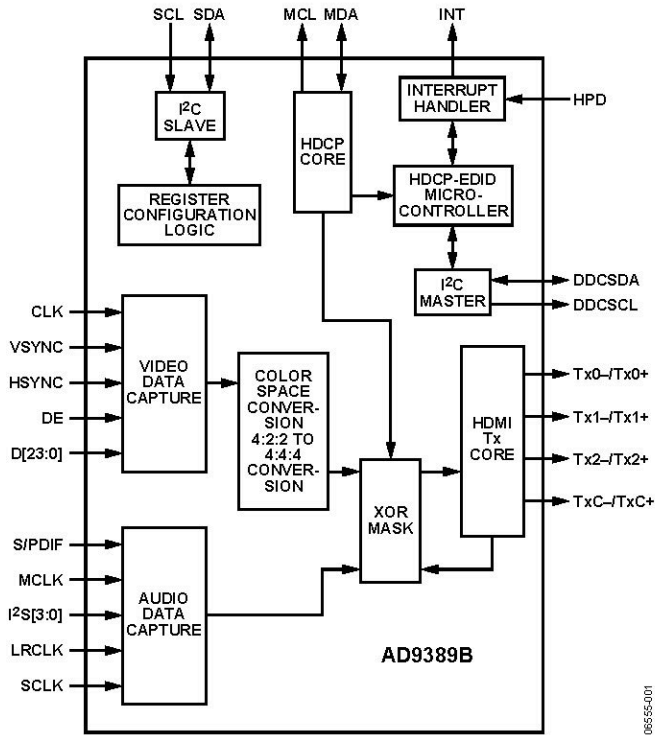
ADV7403
(U12)



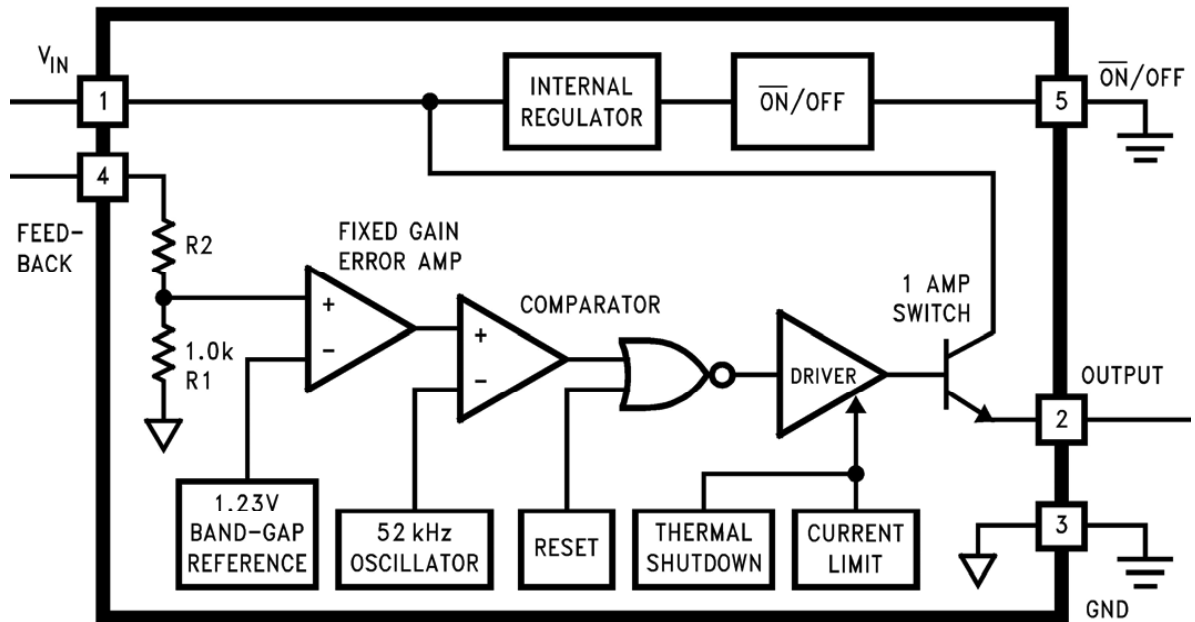
AD9388
(U14)



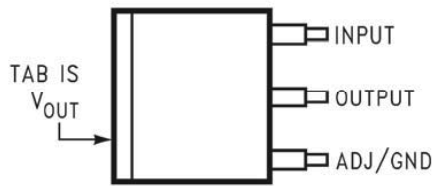
AD9389B
(U31)



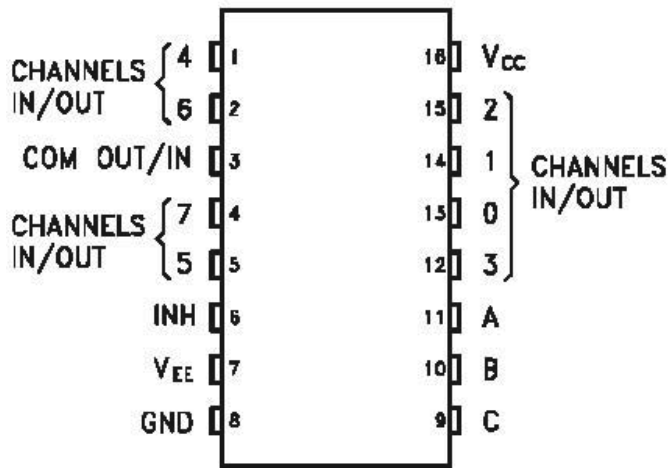
LM2575
(VR3, VR4)



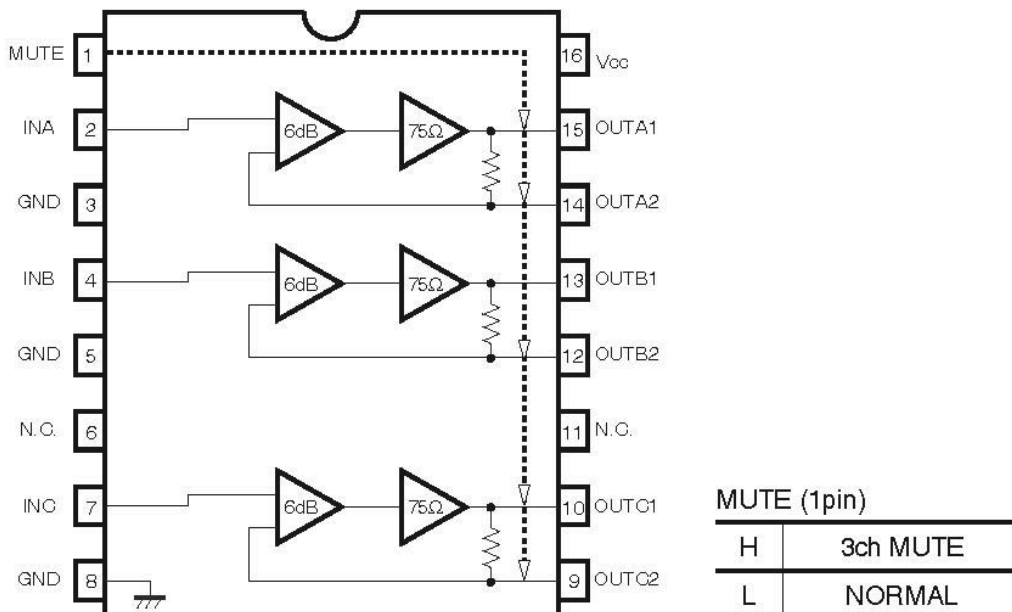
LM1086
(VR200)



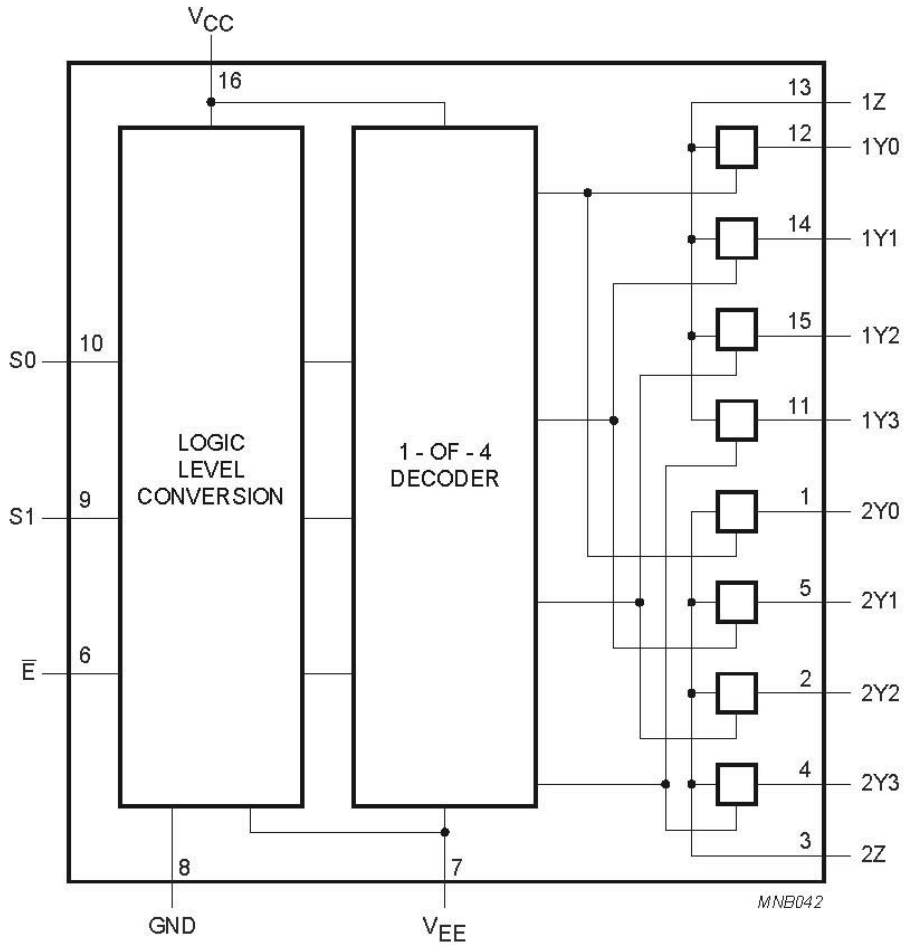
Composite / S-Video
74HC4051D
(U4103-4106)



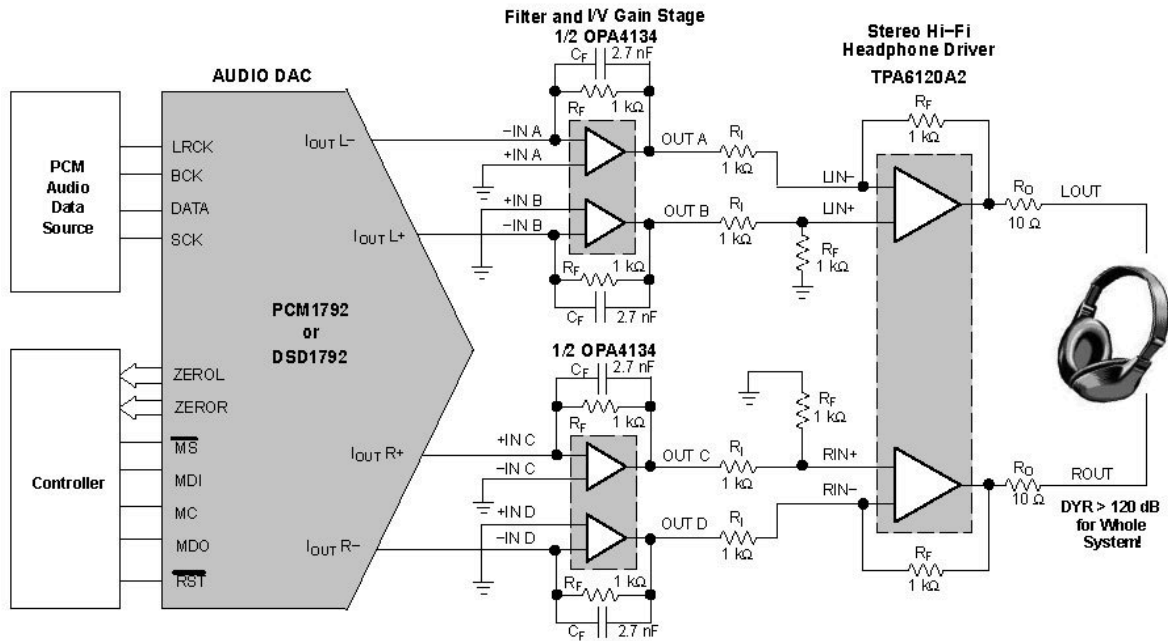
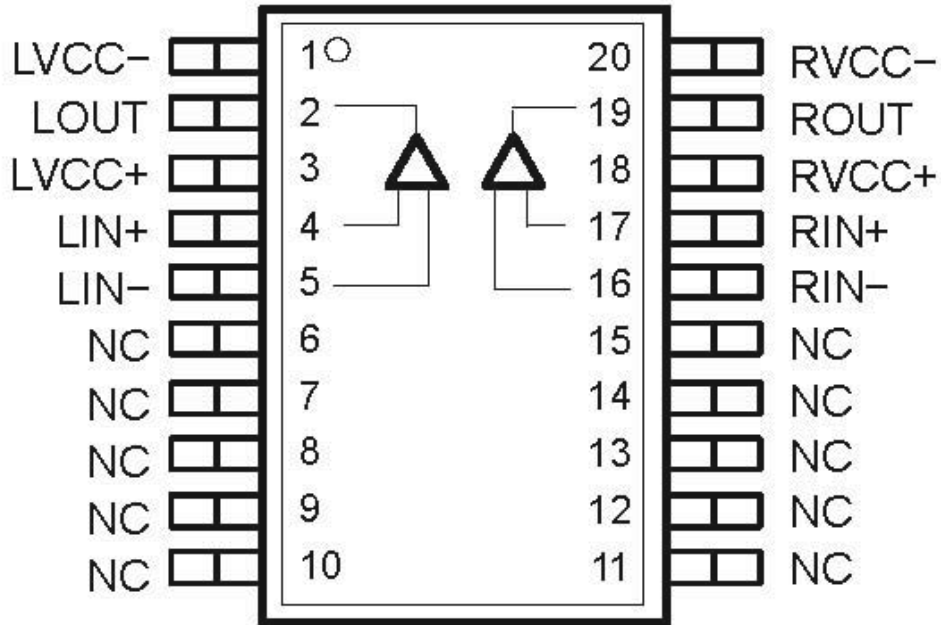
BA7660FS
(U4101-4102, U4001 in Component)



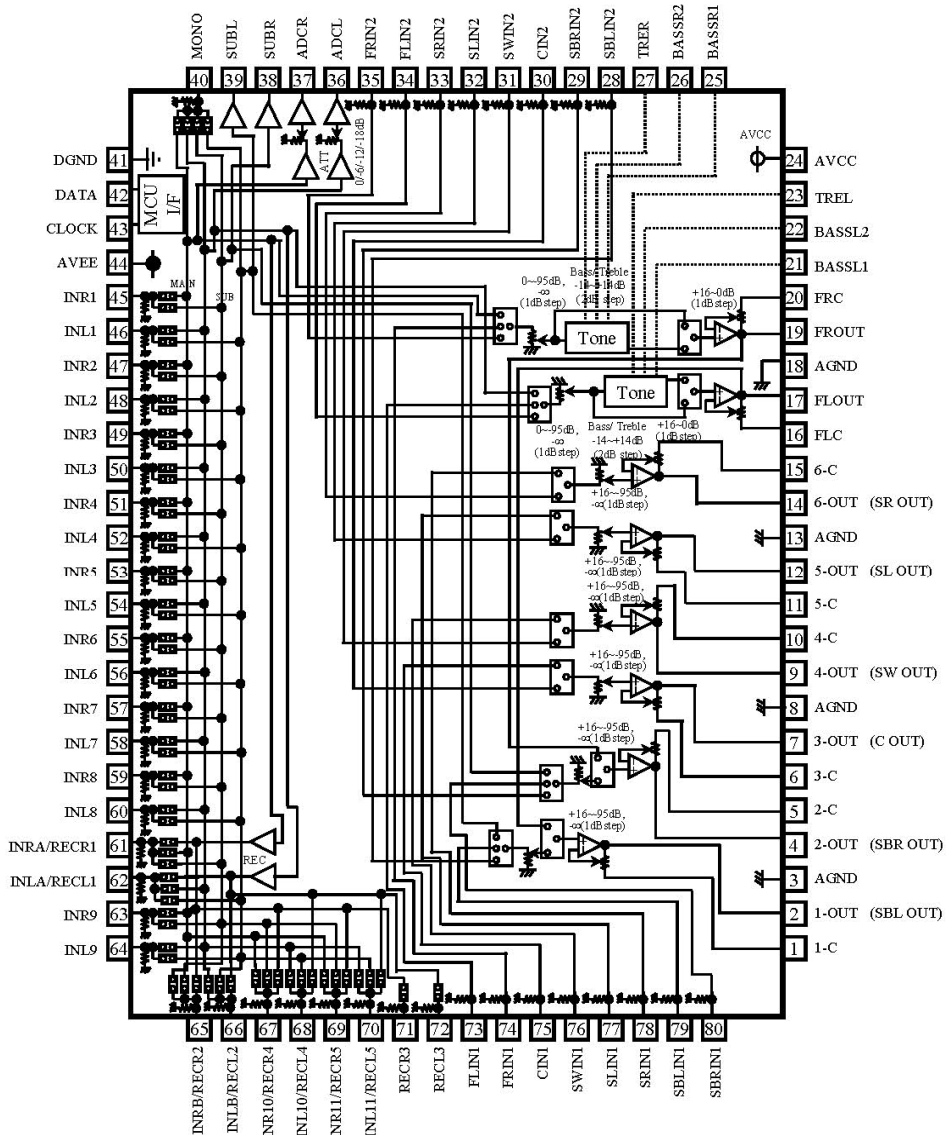
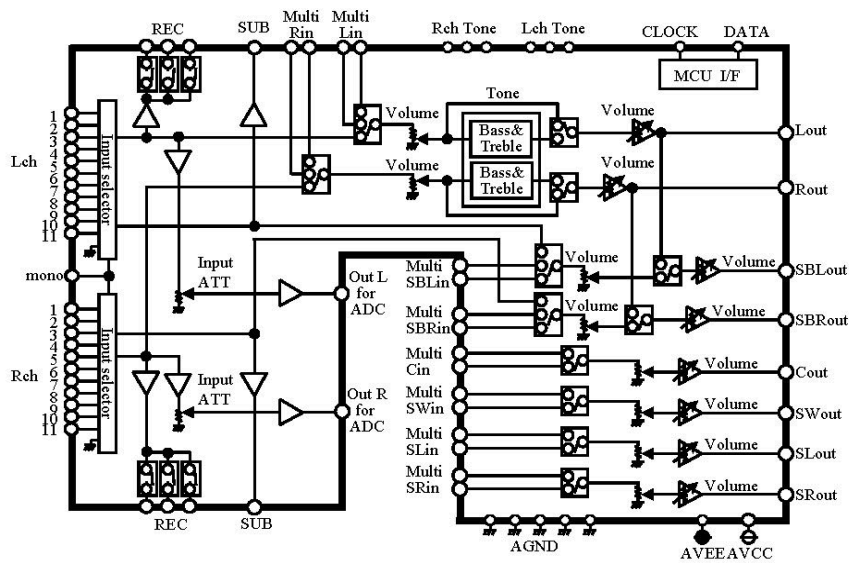
Component
74HC4052D
 (U4002-4003)



Volume
 TPA6120A2DWP
 (U6008)

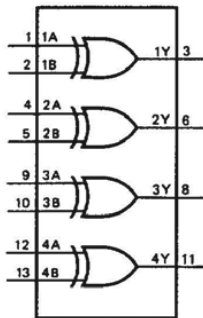


R2S15205FP
(U6001-6002)

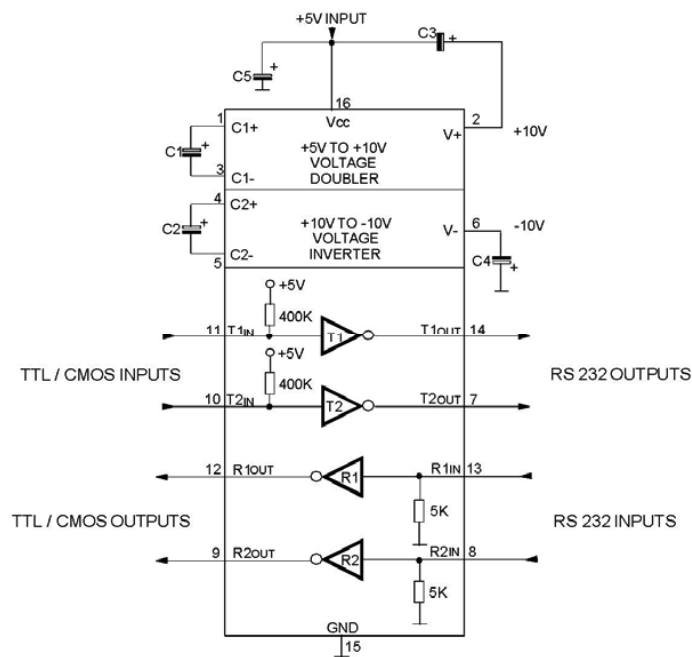


Trigger

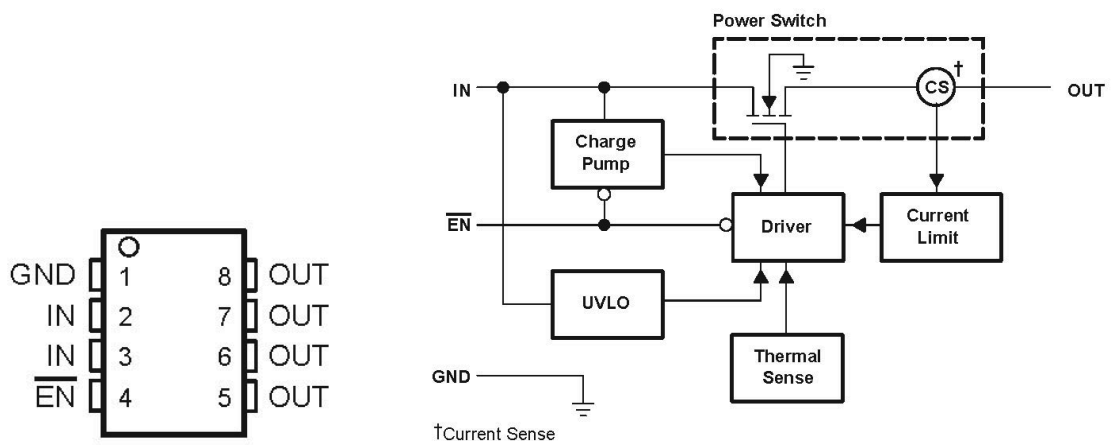
74HC86D (U2303)



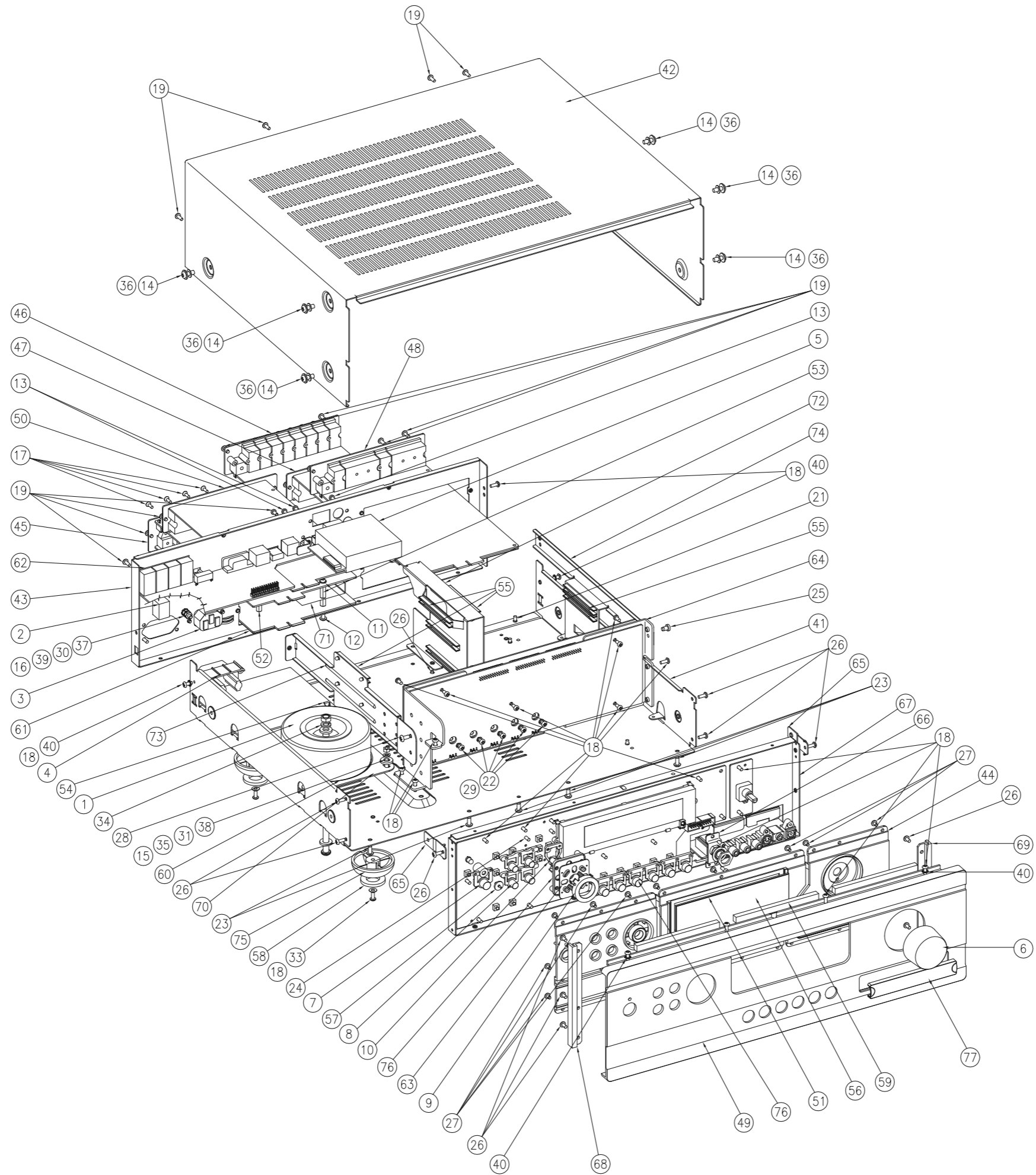
ST232BDR (U2301)



TPS2011A (U2302)



EXPLODED VIEW - A



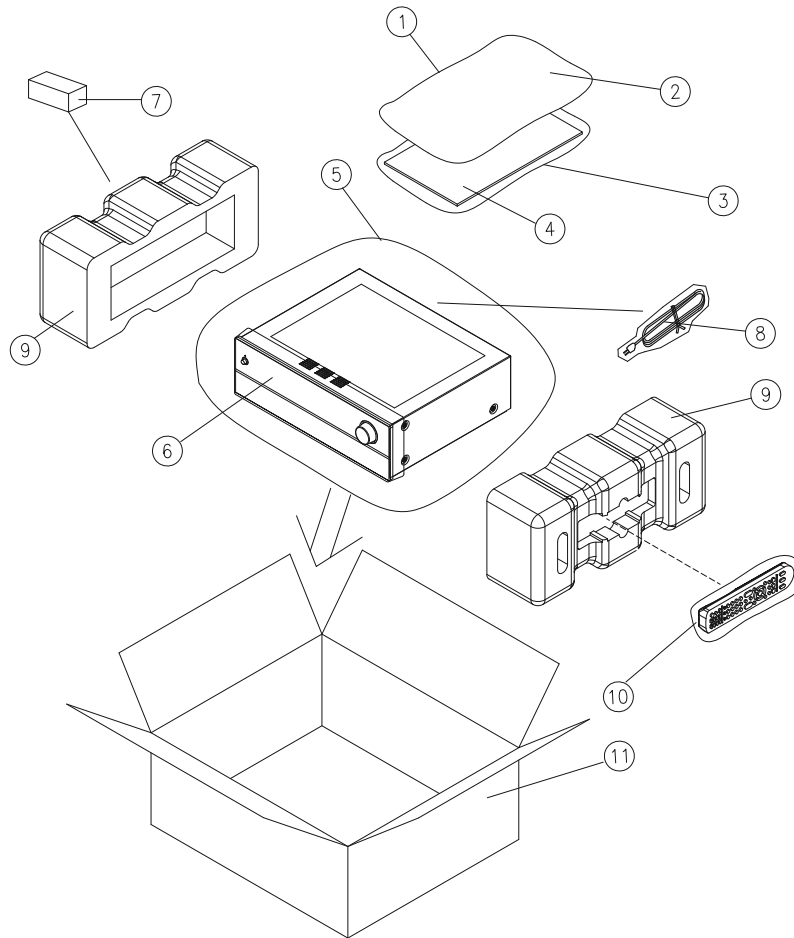
EXPLODED VIEW PARTS LIST

ITEM	PART NO.	DESC.	QTY
1	10-005-0226-90	TRANSFORMER PW TOROIDAL 120V T175 TA-100 AT4.531.0100 (RoHS) [FOR 120V VERSION]	1
	10-005-0227-90	TRANSFORMER PW TOROIDAL 230V T175 TA-100 AT4.531.0100/2 (RoHS) [FOR 230V VERSION]	1
2	11-001-0062-90	SWITCH ROCKER 1P1T BLK/BLK 10A/250VAC TV-5 UL/CSA/VDE/SEMKO (RoHS)	1
3	15-004-0074-90	AC SOCKET IEC 10A 250V JR-101 (RoHS) [FOR 120V VERSION]	1
4	15-004-0078-90	AC OUTLET 3 PINS US POLARIZED SS-6B-1-NY (RoHS) [FOR 120V VERSION]	1
	15-004-0076-90	AC OUTLET EURO CEE 7 2.5A/250V A302D0060P (RoHS) [FOR 230V VERSION]	1
5	15-016-0001-90	AM/FM TUNER MIDULE KST-MB114MA0-23 (RoHS)	1
6	21-001-0030-90	NEW VOLUME KNOB ASSY T175 GRAPHITE (RoHS)	1
7	21-002-0155-90	POWER BUTTON TACT ACTIVE T765 GRAPHITE (RoHS) [FOR GRAPHITE VERSION]	1
8	21-002-0157-90	2X BUTTON SET T765 GRAPHITE (RoHS) [FOR GRAPHITE VERSION]	2
9	21-002-0159-90	4 WAYS BUTTON T765 GRAPHITE (RoHS) [FOR GRAPHITE VERSION]	1
10	21-002-0161-90	CENTER BUTTON T765 GRAPHITE (RoHS) [FOR GRAPHITE VERSION]	1
11	22-001-0043-00	SCREW MACHINE M3 x 6 P/H WASHER HEAD NI PLT (RoHS)	2
12	22-001-0367-00	SCREW MACHINE M3 x 6 P/H NI PLT (RoHS)	2
13	22-001-0376-90	MACHINE SCREW M3 x 6 P/H BLK (RoHS)	3
14	22-001-0379-90	MACHINE SCREW M4 x 8 WASHER HEAD BLK (RoHS)	6
15	22-001-0380-90	HEX HEAD SCREW M5 X 12 NI PLT (RoHS)	4
16	22-001-0384-90	MACHINE SCREW M4 x 14 WASHER HEAD BLK (RoHS)	1
17	22-001-0410-90	SCREW MACHINE M2.6 X 6 K/H BLK PLT (RoHS)	4
18	22-003-0030-00	TAPTITE SCREW 3x8 P/H TYPE "B" ZN/NI PLT (RoHS)	51
19	22-003-0049-00	SCREW TAPTITE 3x8 B/H TYPE "B" BLK PLT (RoHS)	54
20	22-003-0129-00	SCREW TAPTITE 3x8 SMALL K/H TYPE "B" BLK PLT (RoHS)	2
21	22-003-0141-90	TAPTITE SCREW 3 X 6 B/H TYPE "B" BLK PLT (RoHS)	4
22	22-003-0142-90	MACHINE SCREW M3 X 8 P/H NI PLT (RoHS)	6
23	22-003-0144-90	TAPTITE SCREW 3.5x8 B/H TYPE "B" NI PLT (RoHS)	5
24	22-003-0145-90	SELF TAPPING SCREW 2.6x8 B/H TYPE "A" NI PLT (RoHS)	4
25	22-003-0147-90	TAPTITE SCREW 4 X 8 C/H TYPE-B BLK (RoHS)	1
26	22-003-0149-90	TAPTITE SCREW 3X6 PAN HEAD TYPE "B" NI PLT (RoHS)	17
27	22-003-0159-90	SCREW TAPTITE 3x5 B/H TYPE "B" NI PLT (RoHS)	22
28	22-003-0174-90	SCREW TAPTITE 3.5 x 6 B/H TYPE "B" NI PLT (RoHS)	1
29	22-005-0032-00	SPRING WASHER ID3.2 x OD5.6 x 0.9 THK. (RoHS)	6
30	22-005-0034-00	WASHER SPRING ID4 x OD7 x 1 THK. (RoHS)	2
31	22-005-0036-90	WASHER SPRING I/D5.2xO/D8x1.2 THK ZN PLT (RoHS)	4
32	22-005-0042-90	WASHER SPRING I/D6.5xO/D10.5x2.0mm THK (RoHS)	1
33	22-006-0081-00	WASHER STEEL I/D3.5xO/D8.0x0.4mm THK. ZINC PLT (RoHS)	10
34	22-006-0083-00	WASHER STEEL ID6.5 X OD14 X 0.8 BLK PLT (RoHS)	1

35	22-006-0085-90	WASHER STEEL ID5.6 X O/D12 X 1 THK. NI PLT (RoHS)	8
36	22-006-0091-90	WASHER PVC ID4.2 x OD8.2 x 0.5mm (RoHS)	6
37	22-007-0078-00	NUT M4 X 3.2mm 0.7p (RoHS)	2
38	22-007-0082-00	NUT M5 X 3.4 NI PLT (RoHS)	4
39	22-008-0025-00	WASHER OUTER TOOTH ID4.2xOD8.2x0.4 THK. NI PLT (RoHS)	1
40	22-008-0027-00	WASHER EXTERNAL TOOTH M3 ID3.2 x OD6.5x0.4 THK NI PLT (RoHS)	4
41	23-232-0019-90	BOTTOM CHASSIS T175 (RoHS)	1
42	23-236-0014-92	TOP COVER T175 (PAINTED NEW PPG GREY) R1 (RoHS)	1
43	23-237-0005-92	REAR PANEL T175 (AH) R.1 (RoHS) [FOR 120V VERSION]	1
	23-237-0006-92	REAR PANEL T175 (C) R.1 (RoHS) [FOR 230V VERSION]	1
44	23-237-0007-92	PLASTIC INNER PANEL T775 GRAPHITE (RoHS) R1	1
45	23-237-0013-90	PANEL - DIGITAL & HDMI T775 R.1 (RoHS)	1
46	23-237-0015-90	PANEL - SVIDEO T775 (RoHS)	1
47	23-237-0016-90	PANEL - VOLUME T775 (RoHS)	1
48	23-237-0017-90	PANEL - PRE-OUT T775 (RoHS)	1
49	23-237-0046-90	FASCIA T175 GRAPHITE (RoHS) [FOR GRAPHITE VERSION]	1
50	23-237-0057-90	PANEL - COMPONENT VIDEO / IPOD T175/785 (RoHS)	1
51	24-031-0007-90	STATIC COVER T775 (PET)(RoHS)	1
52	25-005-0122-90	HEX SPACER AF5.5 H19.8 (RoHS)	2
53	25-005-0124-90	HEX SPACER AF5.5 H9.5+6 (RoHS)	2
54	25-006-0043-90	PCB SUPPORTER "KSS" (H=9.6mm PCB HOLE 4mm) CS-0610 (RoHS)	1
55	25-006-0047-90	PCB CARD GUIDE CG-250(RoHS)	12
56	25-008-0404-90	FRONT LENS TINT COLOR TXX5 AH (RoHS) [FOR 120V VERSION]	1
	25-008-0405-90	FRONT LENS TINT COLOR TXX5 CE (RoHS) [FOR 230V VERSION]	1
57	25-008-0409-90	POWER LED LENS - ROUND #2 MILKY WHITE (RoHS)	1
58	25-014-0030-90	RUBBER FOOT ID14xOD26x3 PORON HH-48C (RoHS)	4
59	25-016-0033-90	FOAM 100x7x8mm BLK (UL GRADE) W/NITTO500 (RoHS)	3
60	25-018-0052-90	TRANSFORMER INSULATOR DIA.110 X 1.5mm (RoHS)	1
61	25-020-0483-90	INSULATOR - PC SHEET DSP BD TXX5 (RoHS)	1
62	25-020-0488-90	INSULATOR 57x17x0.3mm PVC BLACK (RoHS)	1
63	25-021-0004-90	RUBBER KEYPAD TXX5 (RoHS)	1
64	25-022-1236-90	MAIN BRACKET T175 (RoHS)	1
65	25-022-1241-93	SIDE MOUNTING BRACKET T752 (RoHS)	1
66	25-022-1248-90	PHONE BRACKET T775 (RoHS)	1
67	25-022-1263-90	SUBFASCIA T175 (RoHS)	1
68	25-022-1365-90	SIDE CAP - L T175 GRAPHITE (RoHS) [FOR GRAPHITE VERSION]	1
69	25-022-1366-90	SIDE CAP - R T175 GRAPHITE (RoHS) [FOR GRAPHITE VERSION]	1
70	25-022-1367-90	TRANSFORMER BRACKET T163 (RoHS)	1

71	25-022-1409-90	SHIELDING PLATE 0.6mm T775 (RoHS)	1
72	25-022-1541-90	PCB GUIDE BRACKET - CENTER T175 (RoHS)	1
73	25-022-1542-90	PCB GUIDE BRACKET - LEFT T175 (RoHS)	1
74	25-022-1543-90	PCB GUIDE BRACKET - RIGHT T175 (RoHS)	1
75	25-024-0315-90	PLASTIC FOOT DOME SHAPE (RoHS)	4
76	25-024-0322-90	DUAL BUTTON T765 GRAPHITE (RoHS) [FOR GRAPHITE VERSION]	4
77	25-024-0324-90	VIDEO COVER T765 GRAPHITE (RoHS) [FOR GRAPHITE VERSION]	1
78	25-024-0326-90	RUBBER BRACKET T765 (MOLD BLACK) (RoHS)	1

PACKING DIAGRAM & PARTS LIST



ITEM	PART NO.	DESCRIPTION	QTY
1	24-003-0122-90	Polybag Manual J9 (RoHS)	1
2	15-015-0001-90	ANTENNA ADAPTER 300 TO 75 OHM (RoHS)	1
2	25-027-0001-90	FM WIRE ANTENNA W/Y-TERMINALS (RoHS)	1
2	25-027-0002-90	ANTENNA AM LOOP ASSY W/STAND S0160BL-04 (RoHS)	1
2	25-007-0024-90	BATTERY AA 1.5V R6P AA (RoHS)	4
2	28-008-0005-90	REMOTE CONTROLLER NAD ZR-4 W/BATTERY (RoHS)	1
3	24-003-0127-90	POLYBAG MAUNAL (RoHS)	1
4	24-004-1936-90	WARRANTY CARD (RoHS)	1
4	24-004-2092-90	T175 OWNER'S MANUAL GB/F/D/NL W/WEEE (RoHS)	1
4	24-004-2093-90	T175 OWNER'S MANUAL E/I/P/S W/WEEE (RoHS)	1
4	24-004-2225-90	T175 QUICK START MANUAL A3 SIZE (RoHS)	1
5	24-003-0119-90	POLYBAG MAIN UNIT (RoHS)	1
6	24-003-0129-90	PROTECTIVE COVER (RoHS)	1
6	24-005-0890-90	A3 WHITE PAPER 80G (RoHS)	1
6	40-001-0108-90	DESSICANT BAG 20g	1
7	09-001-0005-90	MICROPHONE SET WITH PACKING AUDYSSEY(RoHS)	1
8	17-004-0007-00	AC Cord 110V 3PINS 125V/13A SJT AWG16/3C UL/CSA L=2M [FOR AH VERSION]	1
8	17-004-0008-00	AC CORD CE 3 PINS 16A 250V LF L=6'7" LP-34 H05VV-F 3C LS- 60 [FOR C, CT VERSION]	1
8	24-003-0120-90	POLYBAG CORD (RoHS)	1
9	24-006-0795-90	POLYFOAM ENDCAP LEFT/RIGHT T175 (RoHS)	2
10	28-008-0003-90	REMOTE CONTROLLER NAD HTRC1 (RoHS)	1
11	24-001-0677-90	MASTER CARTON BOX T175(ROHS)	1

SERVICE MANUAL

T1175

AV Tuner Pre-Amplifier