

SERVICE MANUAL



T 743

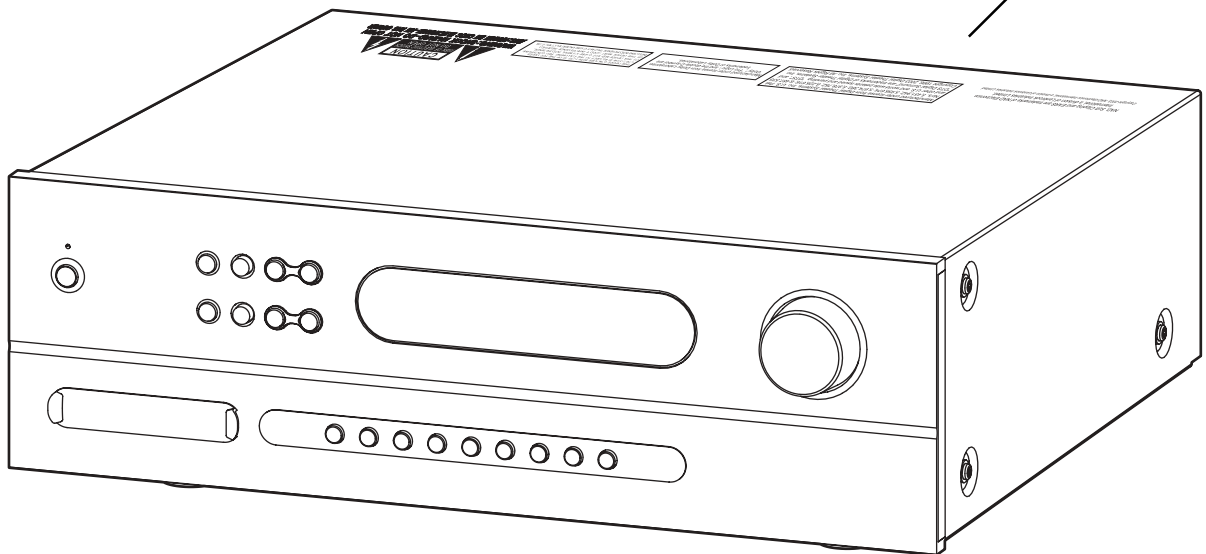
AV Receiver

T 743

AV Receiver
PHASE II

SAFETY INFORMATION

<p>NAD, Soft Clipping and EARS are trademarks of NAD Electronics International, a division of Lenbrook Industries Limited. <i>Copyright 2003, NAD Electronics International, a division of Lenbrook Industries Limited.</i></p>
<p>Manufactured under license from Digital Theater Systems, Inc. U.S. Pat. No's, 5,451,942; 5,956,674; 5,974,380; 5,978,762; 6,226,616; 6,487,535 and other U.S. and world-wide patents issued and pending. "DTS", and "DTS Digital Surround" are trademarks of Digital Theater Systems, Inc. Copyright 1996, 2003 Digital Theater Systems, Inc. All Rights Reserved.</p>
<p>Manufactured under license from Dolby Laboratories. "Dolby", "Pro Logic", and the double-D symbol are trademarks of Dolby Laboratories.</p>
<p>THIS DEVICE COMPLIES WITH PART 15 OF THE FCC RULES. OPERATION IS SUBJECT TO THE FOLLOWING TWO CONDITIONS: (1) THIS DEVICE MAY NOT CAUSE HARMFUL INTERFERENCE. (2) THIS DEVICE MUST ACCEPT INTERFERENCE RECEIVED, INCLUDING INTERFERENCE THAT MAY CAUSE UNDESIRABLE OPERATION.</p>
<p> CAUTION RISK OF ELECTRIC SHOCK DO NOT OPEN WARNING: SHOCK HAZARD - DO NOT OPEN AVIS: RISQUE DE CHOC ELECTRIQUE - NE PAS OUVRIR</p>



SERVICE SAFETY PRECAUTIONS

1. Replacing the fuses

CAUTION:

FOR CONTINUED PROTECTION AGAINST THE RISK OF FIRE REPLACE ONLY WITH SAME TYPE OF FUSE.

<u>Reference Designator</u>		<u>Database Part Number</u>	<u>Description</u>
F751*AH,AHT	⚠	370-010100-00(2)/E	FUSE TIME-LAG 7A 250V 5 X 20mm SIC UL/CSA (RoHS)
F752*AH,AHT	⚠	370-011100-05(3)/E	FUSE 1.6A 250V TIME LAG LBC 5x20mm TSD UL/CSA/VDE/SEMKO (RoHS)
F751*C,CT	⚠	370-014100-01(5)/E	FUSE TIME-LAG 4A/250V 5 X 20mm VDE/UL TSD (RoHS)
F752*C,CT	⚠	370-015100-02(2)/E	FUSE 800mA 250V TIME LAG LBC 5x20mm TSD UL/CSA/VDE/SEMKO (RoHS)
FH751-FH752	⚠	371-100000-00(6)/E	FUSE CLIP 0.05mm FC-1001 (RoHS)

NOTE: <*AH,*AHT > : USA, CANADIAN MODEL ONLY.
<*C,*CT > : EUROPEAN MODEL ONLY.

2. Safety check out

(Only U.S.A. model)

Before returning the product to the customer, make leakage current or resistance measurements to determine that exposed parts are acceptably insulated from supply circuit.

Parts marked with the symbol ⚠ are critical with regard to the risk of fire and electric shock.
Replace only with parts recommended by the manufacturer.

CONTENTS

DESCRIPTION	PAGE
SPECIFICATIONS	4 - 5
REAR PANEL / FRONT PANEL VIEW	6
DISASSEMBLY INSTRUCTIONS	7
WIRING DIAGRAM & PARTS LIST	8 - 10
BLOCK DIAGRAM	11
SPECIAL FUNCTION	12
DETAILS & WAVEFORMS ON SYSTEM & TEST & DEBUGGING	12
ADJUSTMENT POINTS DIAGRAM / AMPLIFIER ADJUSTMENT	13
PCB LAYOUT	14 - 25
SCHEMATIC DIAGRAM	26 - 42
IC BLOCK DIAGRAM	43 - 49
EXPLODED VIEW	50
EXPLODED VIEW PARTS LIST	51 - 53
ELECTRICAL PARTS LIST	54 - 69
PACKING DIAGRAM	70
VERSION HISTORY	71

SPECIFICATIONS

POWER AMPLIFIER SECTION

Rated distortion	(Rated power level into 8 ohms, THD 20 Hz-20 kHz FL/C/FR) (Rated power level into 8 ohms, THD 20 Hz-20 kHz SL/SR/BS)	$\leq 0.1 \%$ $\leq 0.1 \%$
Input Sensitivity	(ref. 8 ohms, 1 kHz)	260 \pm 20mV
S/N Ratio	(A-wtd, 1kHz, 1 W, 8 ohm, SL/SR/BL)	≥ -75 dB
Frequency Response	(20 Hz - 20 kHz)	0 \pm 1.0 dB
Channel Balance	(1 dB to -40 dB, 1 kHz) (-41 dB to -50 dB, 1 kHz)	≤ 2 dB ≤ 3 dB
Audio muting at 1 kHz		≥ 55 dB
Subwoofer out, 500 mV in	(THD at 2 V O/P, 100 Hz)	$\leq 0.5 \%$
Crosstalk	(500 mV input, 10 W, 1 kHz)	≥ -57 dB
Controls		
Bass	(at 500 mV in, 1 W out, 100 Hz)	± 10 dB ± 2 dB
Treble	(at 500 mV in, 1 W out, 10 kHz)	± 10 dB ± 2 dB

DOLBY DIGITAL SECTION

Channel Difference(FL ref. Track 30)		± 1.2 dB
Frequency Response at Dolby config.2	SL Track 46 200 - 20 kHz SR Track 47 200 - 20 kHz C Track 44 200 - 20 kHz	± 0.8 dB ± 0.8 dB ± 0.8 dB
Harmonic Distortion	(1 W, Audio LPF, Dolby Congfig 1) FL Track 65 997 Hz FR Track 67 997 Hz SL Track 68 997 Hz SR Track 69 997 Hz C Track 66 997 Hz	$\leq 0.08 \%$ $\leq 0.08 \%$ $\leq 0.08 \%$ $\leq 0.08 \%$ $\leq 0.08 \%$
S/N Ratio	(TRACK 30 for O/P 1 W, FAUSE) CCIR / ARM Audio LPF A-WTD	≥ 65 dB ≥ 70 dB ≥ 70 dB
Channel Separation	(1 W, A-WTD FILTER) Track 65 997 Hz	≥ 60 dB

DOLBY PRO LOGIC II SECTION

Frequency Response

I/P mode : L, R	: 1 V in, 1 W, Ch L/R	40 Hz 20 kHz	0 \pm 2.0 dB 0 \pm 2.0 dB
I/P mode : L=R	: 1 V in, 1 W, Ch /L/R Ch C	40 Hz 20 kHz	0 \pm 2.0 dB 0 \pm 2.0 dB
I/P mode : L=-R	: 1 V in, 1 W, Ch SL/SR	40 Hz 20 kHz	0 \pm 2.0 dB 0 \pm 2.0 dB
S/N Ratio (200 mV in, 1 W, A-WTD w/ 1 k termination)			
I/P mode : L, R	: 1 kHz, Ch L/R		≥ 65 dB
I/P mode : L=R	: 1 kHz, Ch C		≥ 65 dB
I/P mode : L=-R	: 1 kHz, Ch SL/SR		≥ 65 dB
THD (2.2 V in, 1 W, w/ 80 kHz LPF, 1 kHz)			$\leq 0.2 \%$

DTS SECTION

Output Level (Vol 0 dB) : FL/FR/C/SL/SR	Track 6 1 kHz	2.5 ± 0.2 W
Channel Difference (FL ref): FL/FR/C/SL/SR	Track 6 1 kHz	± 1.0 dB
Harmonic Distortion (Audio Filter) : FL/FR/C/SL/SR	Track 10-14 1 kHz	≤ 0.08 %
Frequency Response (20 Hz to 20 kHz)	Track 26-30	+2/-1.5
Subwoofer Output Level 1 kHz ref at pre-out (FL)	Play Track 10, charge to 15	12.5 ± 2 dB

AM TUNER SECTION

Input level is expressed as the reading in open circuit of 75-ohm source impedance signal generator

Usable sensitivity (999/1000 kHz)		≤ 30 dBμV
S/N Ratio (5 mV in)		≥ 38 dB
THD (5 mV in)		≤ 3 %
IF Rejection (450 kHz)		≥ 36 dB
Image Rejection (F+2xIF)		≥ 28 dB
Selectivity		≥ 17 dB
Output		170 ± 20 mV
Loop sensitivity (20 dB S/N)		
999/1000 kHz		≤ 66 dB
603/600 kHz		≤ 66 dB
1404/1400 kHz		≤ 66 dB
Frequency Response (100 - 2.3 kHz, 5 mV)		± 6 dB

FM TUNER SECTION

*C, *CT

*AH, *AHT

Input level is expressed as the reading in open circuit of 75-ohm source impedance signal generator

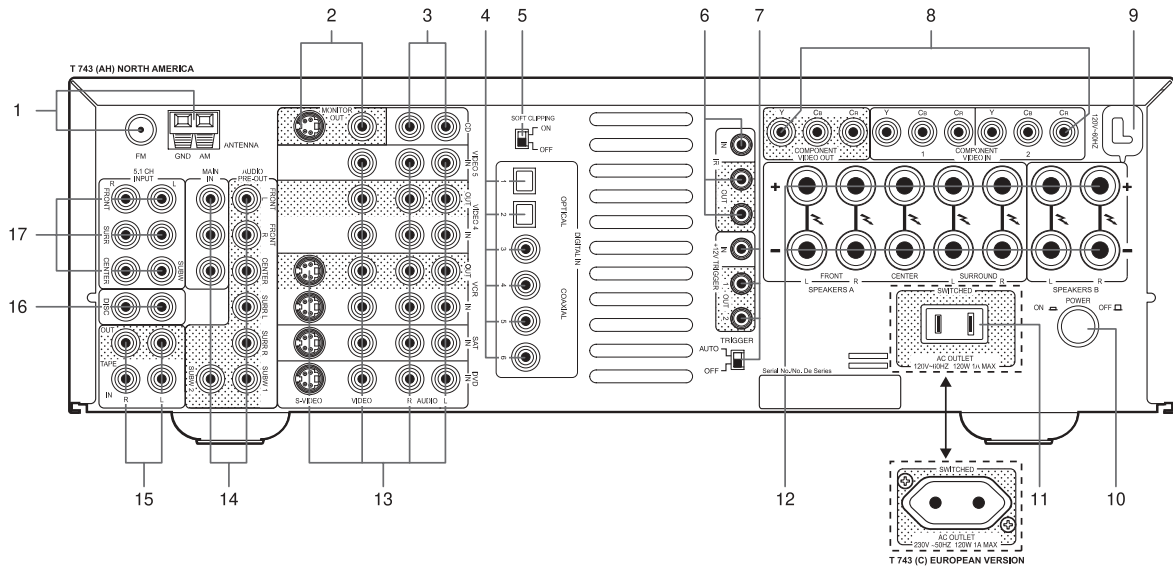
Usable sensitivity (98 MHz)		≤ 15 dBμ	≤ 15 dBμv
S/N Ratio (60 dB, IHF wtd)	Mono	≥ 63 dB	≥ 63 dB
	Stereo	≥ 63 dB	≥ 63 dB
Frequency Response (20 Hz - 15 kHz, 60 dBμ)		0 ± 1.5 dB	0 ± 1.5 dB
Channel Separation (60 dBμ)	100 Hz	≥ 30 dB	≥ 30 dB
	1 k	≥ 38 dB	≥ 38 dB
	10 kHz	≥ 30 dB	≥ 30 dB
Alternate Channel Selectivity (40 dBμ, ± 400 kHz)		≥ 60 dB	≥ 45 dB
Capture Ratio (40 dBμ)		≤ 3 dB	≤ 3 dB
AM Suppression (60 dBμ, 100% Mod. FM, 30% Mod. AM)		≥ 48 dB	≥ 48 dB
Image Rejection (119.4 MHz)		-	≥ 65 dB
I.F. Rejection (10.7 MHz)		≥ 78 dB	-
Pilot Suppression (98 MHz)		≥ 60 dB	≥ 60 dB
THD (60 dBμ, L=R 75 kHz for AH, 40 kHz Dev for C)	Mono	≤ 0.25 %	≤ 0.25 %
	Stereo	≤ 0.35 %	≤ 0.35 %
Auto-Search Sensitivity	On	≥ 24 dBμ	≥ 24 dBμ
	Off	≤ 15 dBμ	≤ 15 dBμ
RDS decode Sensitivity		≤ 26 dBμ	-

PHYSICAL SPECIFICATIONS

Dimensions (Width x Height x Depth)	435 x 150 x 390 mm
Net Weight	13.3 Kg (29.30 lbs)
Shipping Weight	16.9 Kg (37.20 lbs)

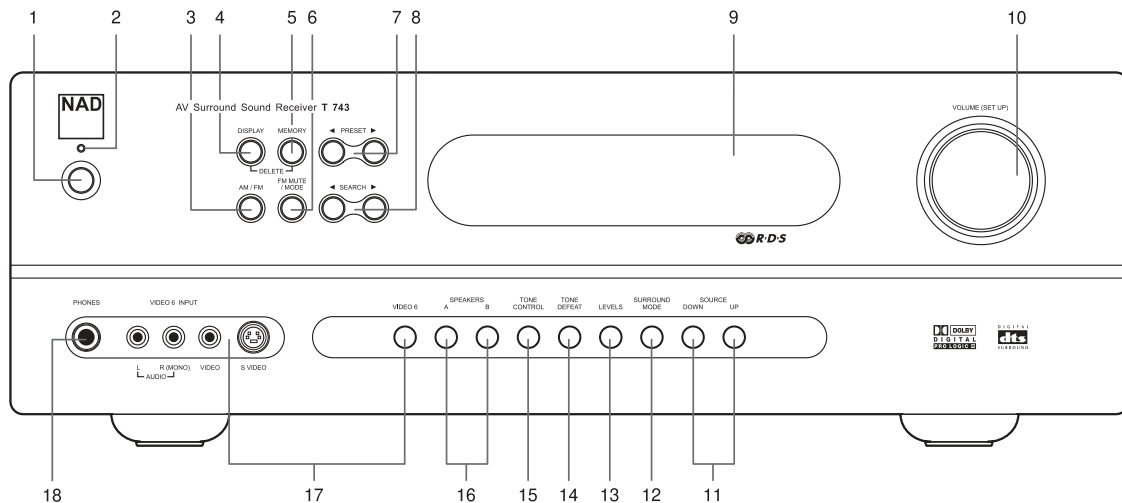
REAR PANEL / FRONT PANEL VIEW

REAR PANEL



- | | |
|-----------------------------------------------|----------------------------------------------|
| 1. FM & AM ANTENNA | 9. AC POWER CORD |
| 2. MONITOR OUT | 10. POWER SWITCH |
| 3. CD INPUT | 11. SWITCHED AC OUTLETS |
| 4. DIGITAL AUDIO INPUT & DIGITAL AUDIO OUTPUT | 12. SPEAKERS A & B |
| 5. SOFT CLIPPING ON/OFF | 13. DVD, SAT, VCR, VIDEO 4 & VIDEO 5 |
| 6. IR INPUT & OUTPUT | 14. MAIN IN / AUDIO PRE-OUTS / SUBWOOFER OUT |
| 7. +12V TRIGGER INPUT & OUTPUT | 15. TAPE INPUT & OUTPUT |
| 8. COMPONENT VIDEO IN & COMPONENT VIDEO OUT | 16. DISC INPUT |
| | 17. 5.1 CH. INPUTS |

FRONT PANEL



- | | | |
|-------------------|----------------------|--------------------|
| 1. STANDBY SWITCH | 7. PRESET DOWN / UP | 13. LEVELS |
| 2. STANDBY LED | 8. SEARCH DOWN / UP | 14. TONE DEFEAT |
| 3. AM / FM | 9. VFL DISPLAY | 15. TONE CONTROLS |
| 4. DISPLAY | 10. VOLUME (SETUP) | 16. SPEAKERS A & B |
| 5. MEMORY | 11. SOURCE DOWN / UP | 17. VIDEO 6 INPUT |
| 6. FM MUTE / MODE | 12. SURROUND MODE | 18. PHONES |

DISASSEMBLY INSTRUCTIONS

1. Remove machine screws M4.0 x 8.0 (1 to 6) from the side panels. Remove tapping screw 3.0 x 8.0 (7 to 10) from the back panel. Refer to **Figure No. 1**.

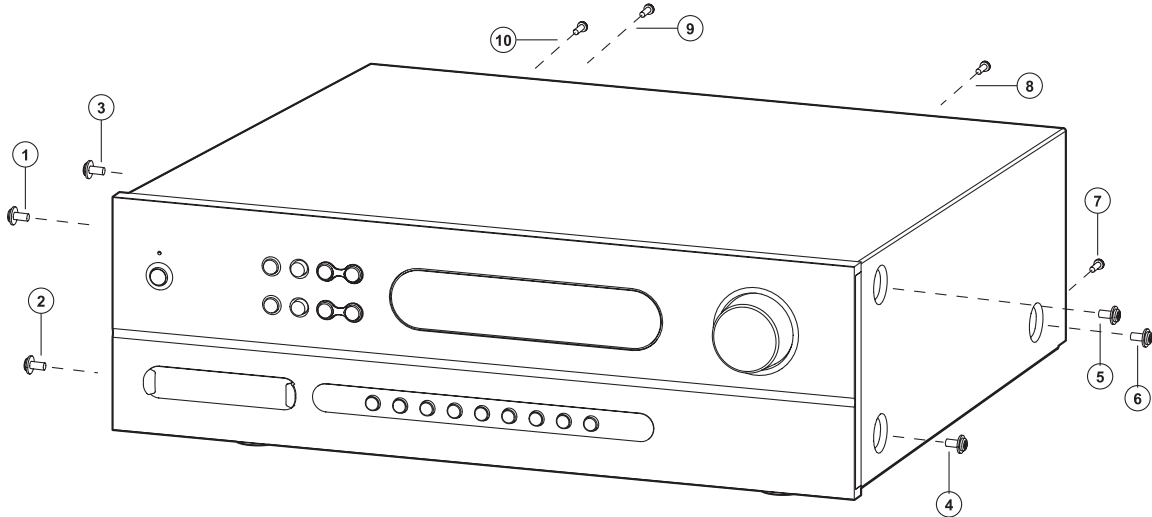


Figure No. 1

2. Pull both sides of the TOP COVER slightly outwards 11 and tilt approx. 35 ° and then remove in the direction as indicated by the arrow 12. Refer to **Figure No. 2**.

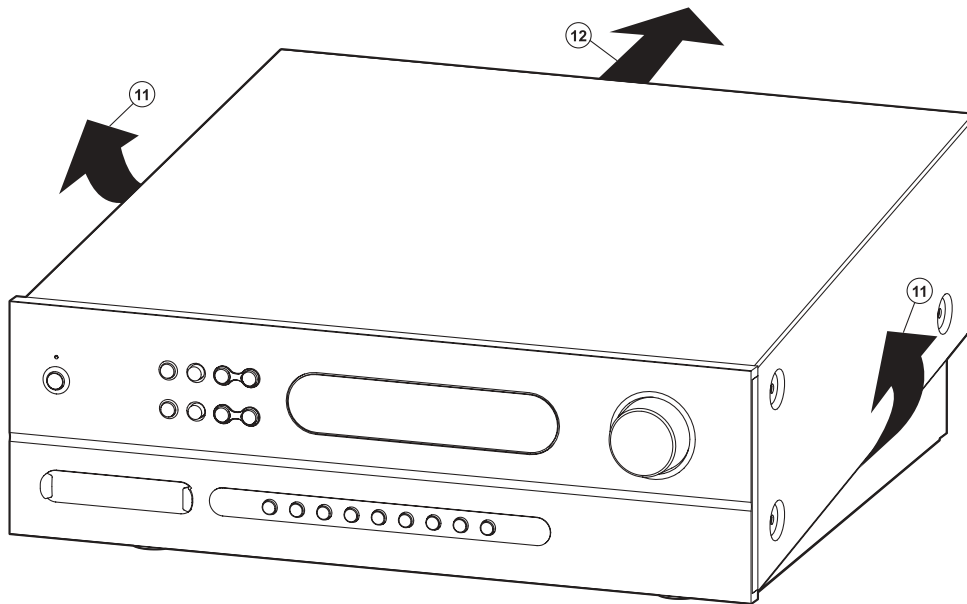


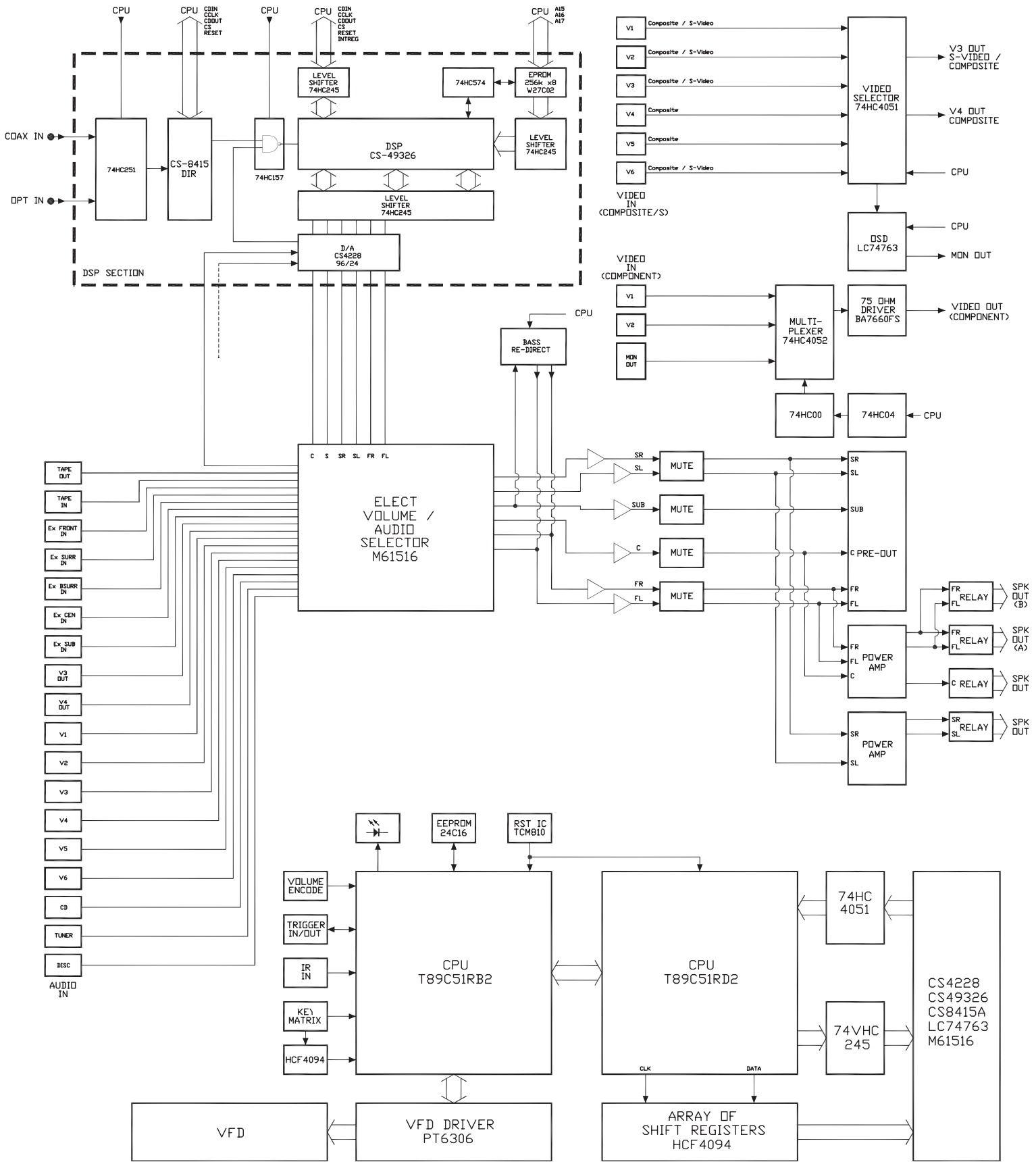
Figure No. 2

WIRING DIAGRAM PARTS LIST

Item	Database Part Number	Description	Remark
1	276-031823-06	CABLE ASSY 3 WAYS AWG=18 3.96P UL1007 L=180mm	AMP1 BD-J504A
2	276-051823-19	CABLE ASSY 5 WAYS P3.96 AWG18 UL1007 L=200mm	AMP1 BD-J501A
3	276-122413-02	CABLE ASSY 12 WAYS AWG=26 2.5P UL2877 L=120mm	AMP1 BD-J503A
4	276-031823-06	CABLE ASSY 3 WAYS AWG=18 3.96P UL1007 L=180mm	AMP2 BD-J781B
5	276-042613-08	CABLE ASSY 4 WAYS AWG26 2.5P UL1533 L=450MM (ROHS)	AUDIO BD-J3103A
6	276-022613-07	CABLE ASSY 2 WAYS AWG=26 2.5P UL1533 L=540mm (ROHS)	DIGIT BD- J1009A
7	276-032613-10	CABLE ASSY 3 WAYS AWG=26 X2C P=2.5 UL2854 L=110mm C33110 (RoHS)	DIGITAL BD- J705A
8	276-042613-11	CABLE ASSY 4 WAYS AWG=26 2.5P UL2877 L=500mm (RoHS)	DIGITAL BD- J1010A
9	276-011843-01	CABLE ASSY 1 WAY AWG18 UL1007 BLACK L=100mm W/ RING TERMINAL (RoHS)	KEYBOARD- J201
10	276-052613-08	CABLE ASSY 5 WAYS AWG26 2.5P UL1007 L=160mm (RoHS)	LED BD- J204A
11	276-032613-18	CABLE ASSY 3 WAYS AWG=26 2.5P L=110mm	MAIN BD- J606B
12	276-032613-29	CABLE ASSY 3 WAYS AWG26X2C UL2547 L=210mm (UL LABEL) (RoHS)	MAIN BD- J715A
13	276-082613-22	CABLE ASSY 8 WAYS AWG=26X3C L=480mm (RoHS)	MAIN BD- J709A
14	276-122613-16	CABLE ASSY 12 WAYS AWG26 2.5P UL2468 L=230mm (UL LABEL) (RoHS)	MAIN BD- J502A
15	276-142613-03	CABLE ASSY 14 WAYS AWG=26 2.5P UL1007 L=440mm (UL LABEL) (RoHS)	MAIN BD- J782B
16	276-032613-15	CABLE ASSY 3 WAYS AWG=26 2.5P UL2854 L=420mm (RoHS)	PO BD- J611A
17	276-062613-05	CABEL ASSY 6 WAYS AWG=26 2.5P UL1533X1C L=350mm (RoHS)	PO BD- J612A
18	276-042613-07	CABLE ASSY 4 WAYS AWG26 2.5P UL2468 L=400mm (ROHS)	PS BD- J753A
19	276-031823-04	CABLE ASSY 3 WAYS AWG=18 3.96P UL1007 L=120mm	SPK BD-J801B
20	276-031823-09	CABLE ASSY 3 WAYS AWG=18 3.96P UL1015 L=320mm	SPK BD- J505B
21	276-051823-03	CABLE ASSY 5 WAYS AWG=18 3.96P UL1007 L=350mm	SPK BD- J786B
22	276-051823-26	CABLE ASSY 5 WAYS AWG18 UL1007 L=300mm (V/B/Y) (UL LABEL) (RoHS)	SPK BD- J506B
23	276-082613-20	CABLE ASSY 8 WAYS AWG=26 2.5P UL1007 L=380mm (RoHS)	SV BD- J414A
24	276-082613-27	CABLE ASSY 8 WAYS AWG=26 2.5P UL1007 L=540mm (UL LABEL) (RoHS)	TR BD- J350A
25	276-011843-01	CABLE ASSY 1 WAY AWG18 UL1007 BLACK L=100mm W/ RING TERMINAL (RoHS)	V6 BD- P4401,P4402
26	276-011643-29	CABLE ASSY 1 WAY AWG=16 UL1672 BROWN L=100mm	J759
27	276-011643-69	CABLE ASSY 1 WAY AWG=16 UL1672 BLUE L=100mm	J758
28	238-030070-20	FFC CABLE 30 PINS P1.25 L=70mm W/SHIELD	J601A

<u>Item</u>	<u>Database Part Number</u>	<u>Description</u>	<u>Remark</u>
29	238-172820-03	FFC CABLE 17 PINS P1.25 L=200mm W/ SHIELD	J720C
30	238-200012-00	FFC CABLE 20 PINS P1.25 L=120mm W/ SHIELD	J604C
31	238-200020-00	FFC CABLE 20 PINS P1.25 L=200mm W/ SHIELD	J713C
32	238-280016-00	FFC CABLE 28 PIN P1.25 L=160mm W/ SHIELD	J602C,J603C
33	238-280120-00	FFC CABLE 28 PINS P1.25 L=200mm W/SHIELD	J714C

BLOCK DIAGRAM

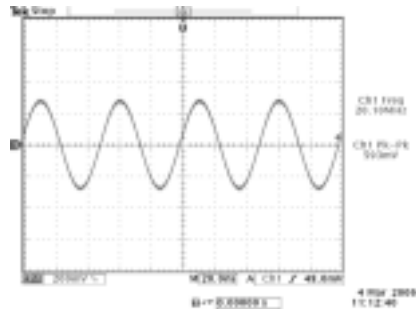


SPECIAL FUNCTION

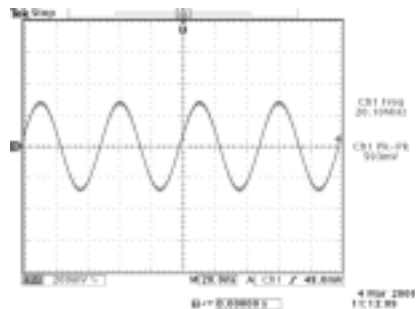
FEATURE	KEYS PRESS ON FRONT PANEL
RESET FOR AH VERSION	VIDEO 6 + SOURCE UP
RESET FOR C VERSION	VIDEO 6 + SOURCE DOWN
NTSC / PAL SELECTION	VIDEO 6 + MEMORY
VFD ALL DISPLAY	VIDEO 6 + TONE DEFEAT
AM FREQ. STEP	AM/FM + FM MUTE
VERSION CHECK	VIDEO 6 + TONE CONTROL

DETAILS & WAVEFORMS ON SYSTEM TEST & DEBUGGING

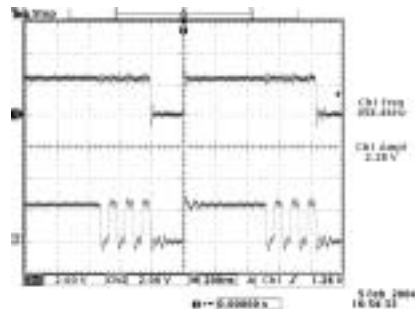
T89C51RB2 (U202) main clock is at 20MHz (X202)



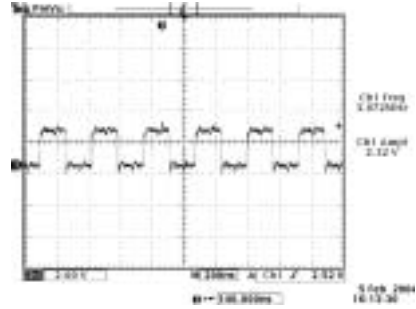
T89C51RD2 (U201) main clock is at 20MHz (X201)



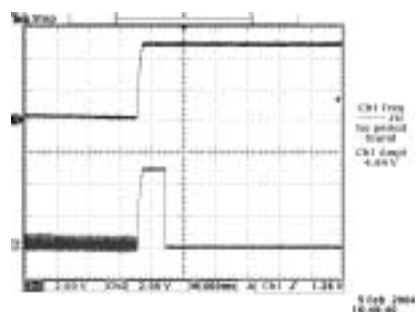
UPPER - OUTPUT ENABLE (pin 24) of EPROM (W27C02) when changing SURROUND MODES
 LOWER - CHIP ENABLE (pin 22) of EPROM (W27C02) when changing SURROUND MODES



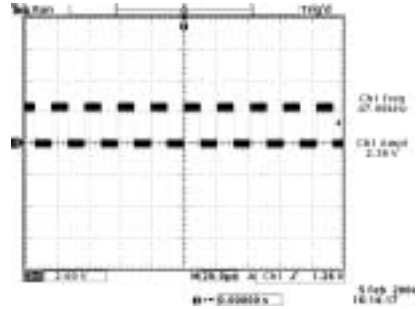
SCLK (pin 43 of CS49326)



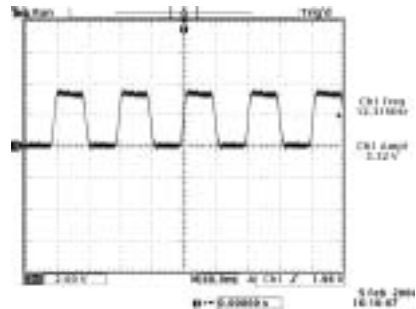
UPPER - +5V supply to KEYBOARD when power up
 LOWER - RESET line (TCM810LENB713) when power up



LRCLK (pin 42 of CS49326)

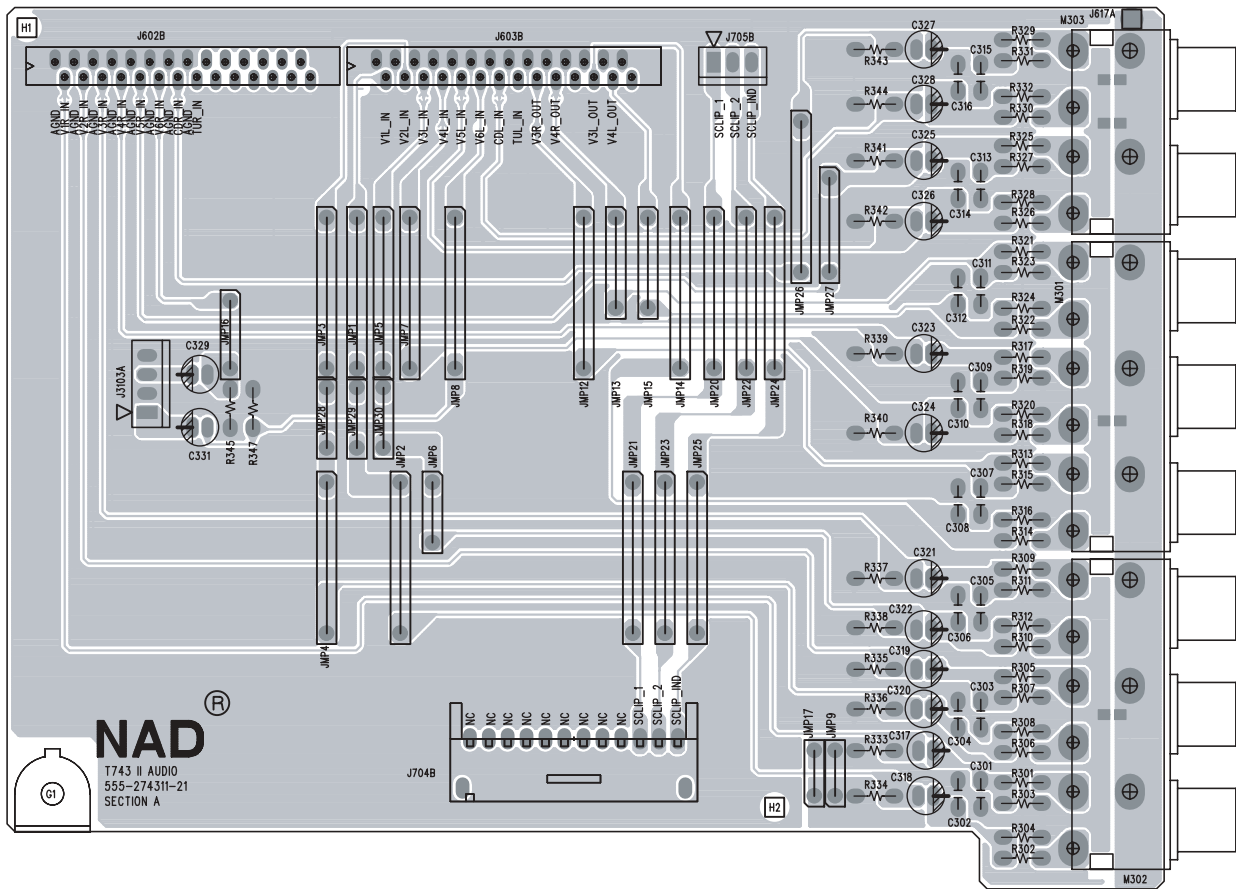


MCLK (pin 30 of CS49326)

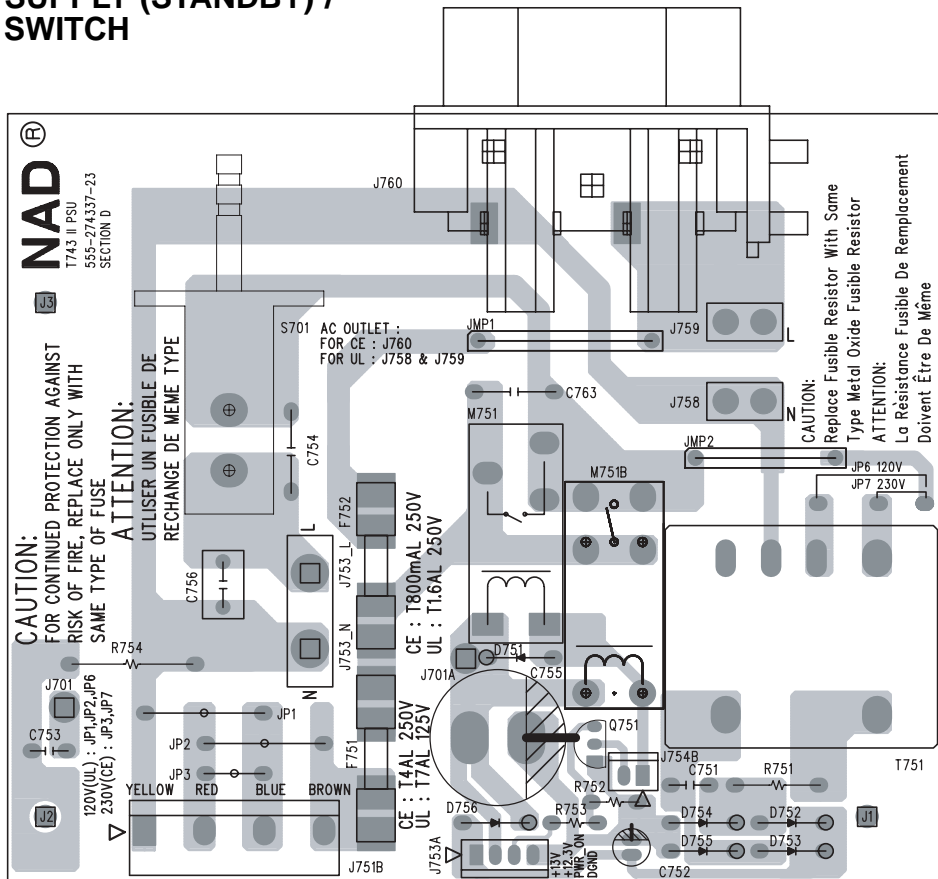


NOTE: The waveforms are based on software version V2.12.

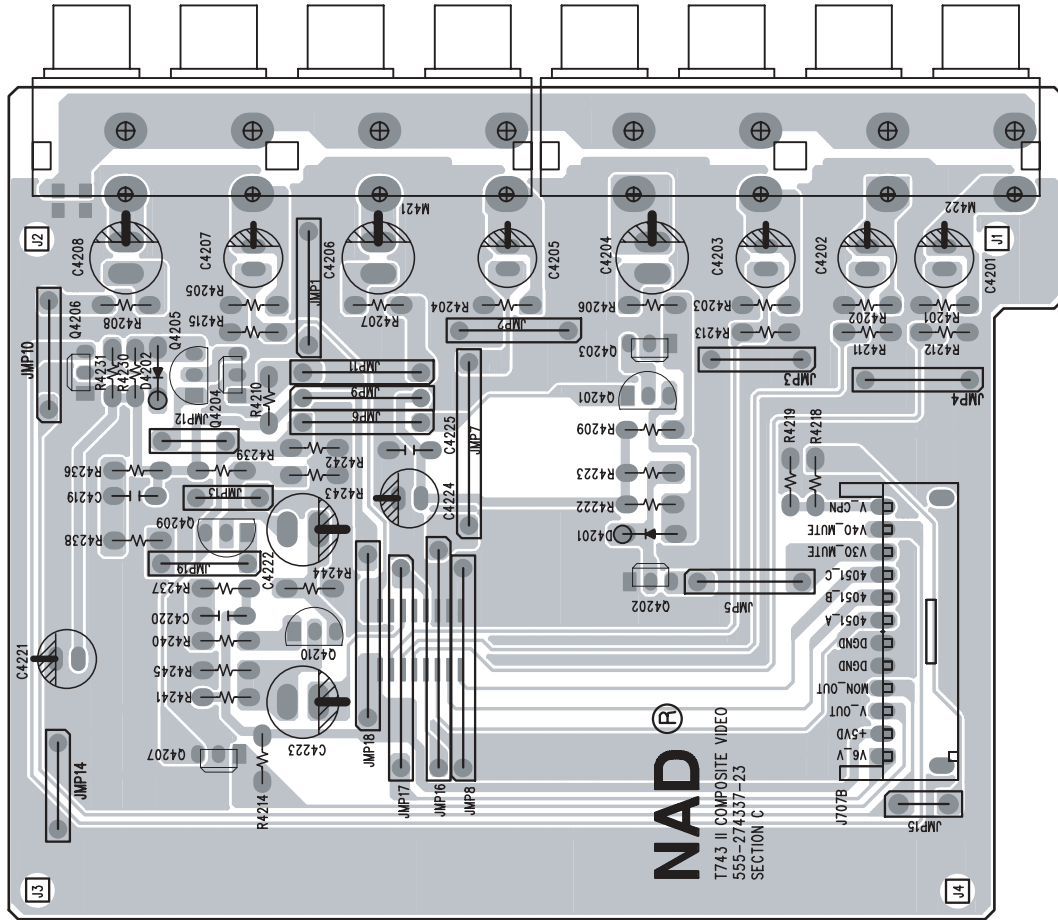
PCB LAYOUT AUDIO BOARD



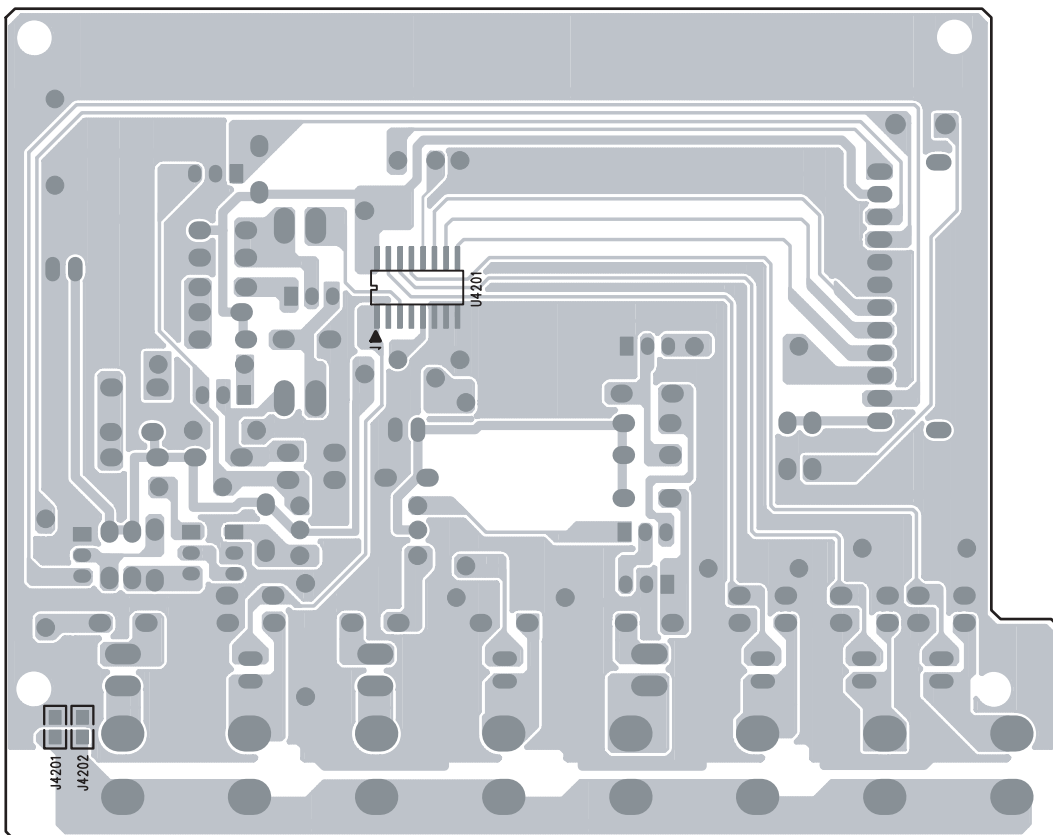
POWER SUPPLY (STANDBY) / POWER SWITCH



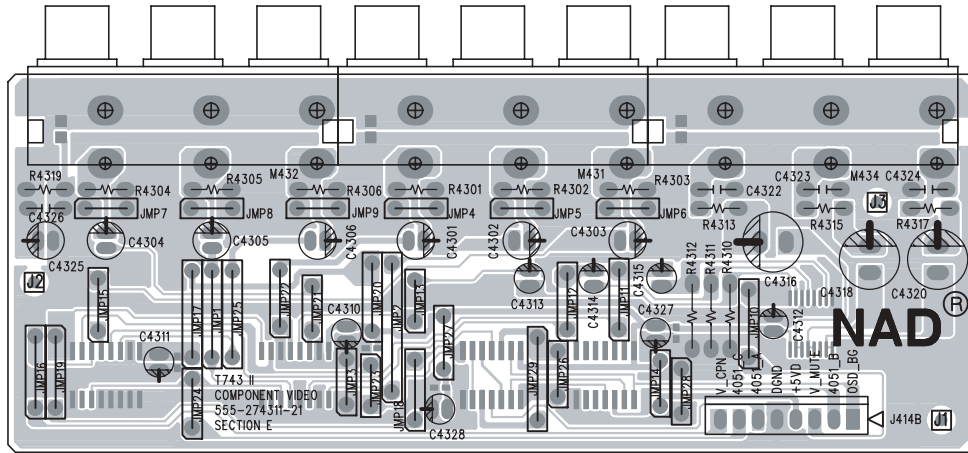
COMPOSITE VIDEO BOARD - COMPONENT SIDE



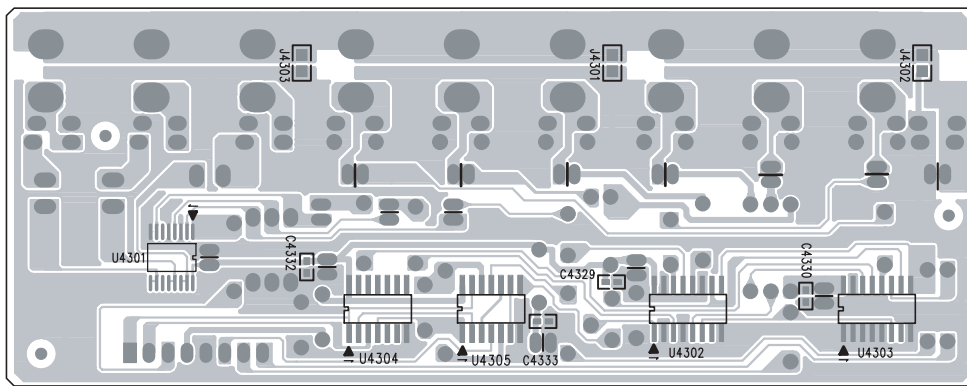
COMPOSITE VIDEO BOARD - COPPER SIDE



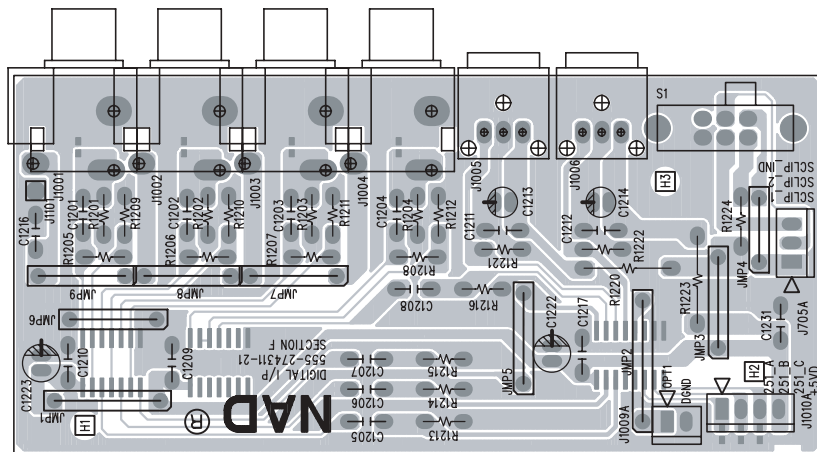
COMPONENT VIDEO BOARD - COMPONENT SIDE



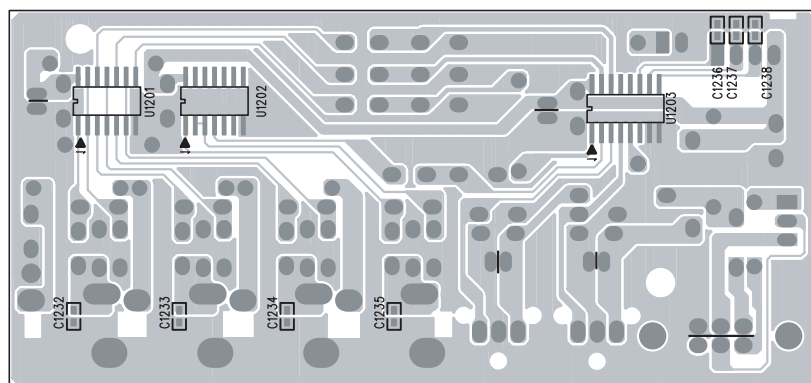
COMPONENT VIDEO BOARD - COPPER SIDE



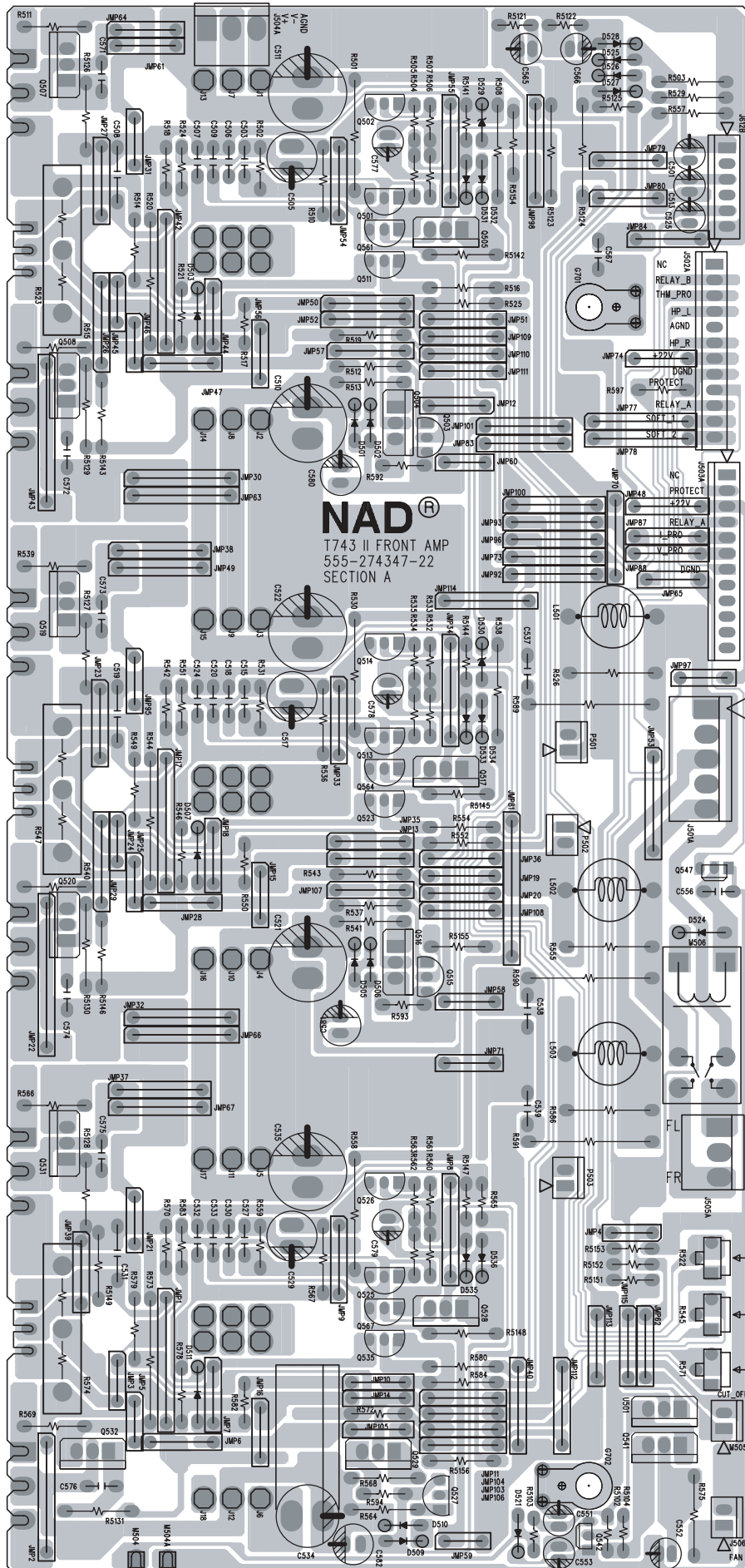
DIGITAL BOARD - COMPONENT SIDE



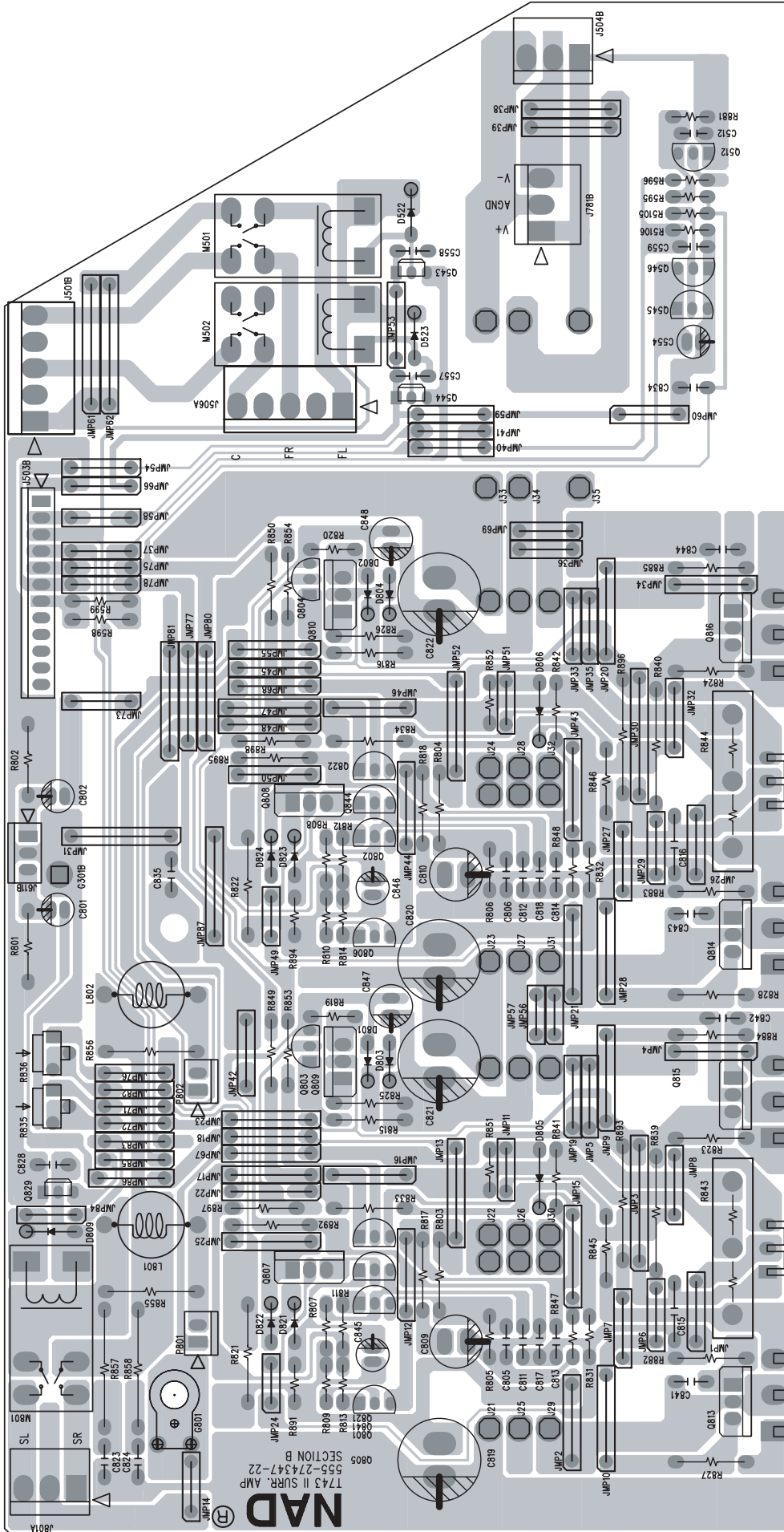
DIGITAL BOARD - COPPER SIDE



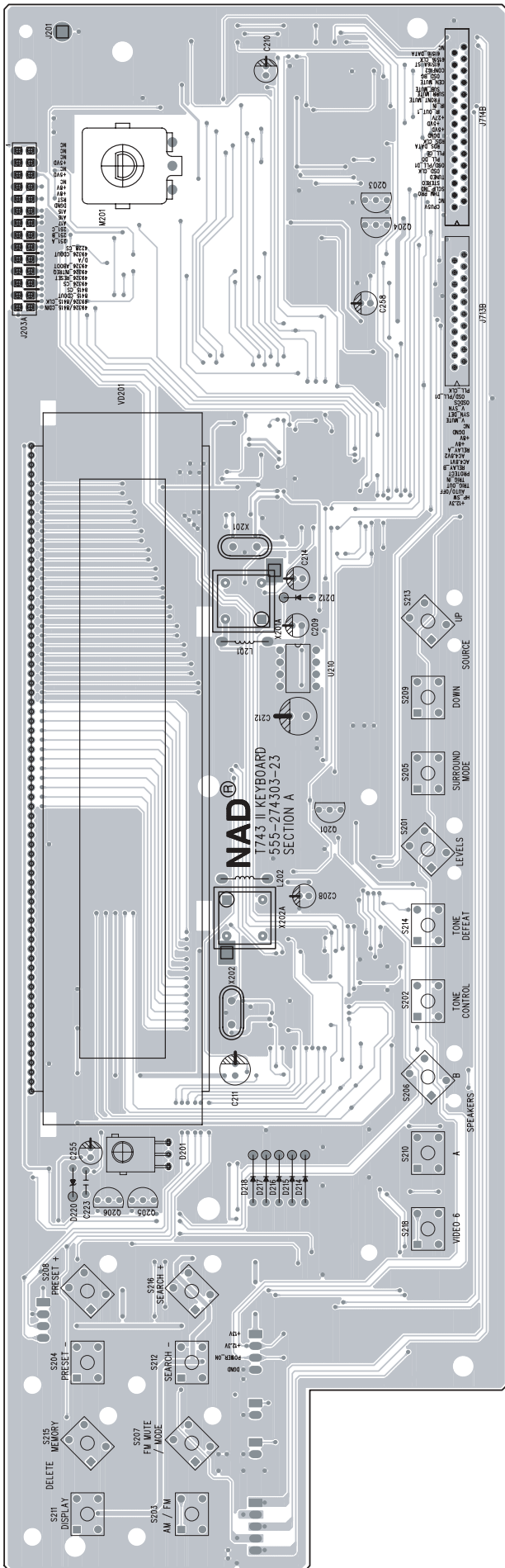
FRONT / CENTER AMPLIFIER BOARD



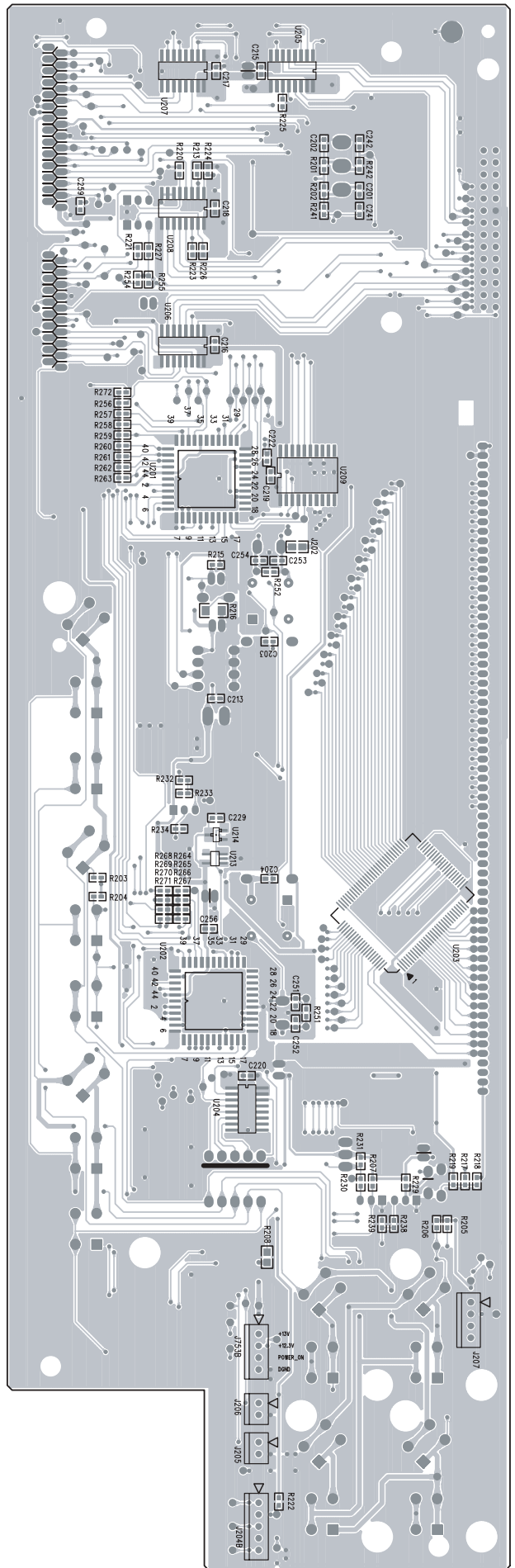
SURROUND AMPLIFIER BOARD



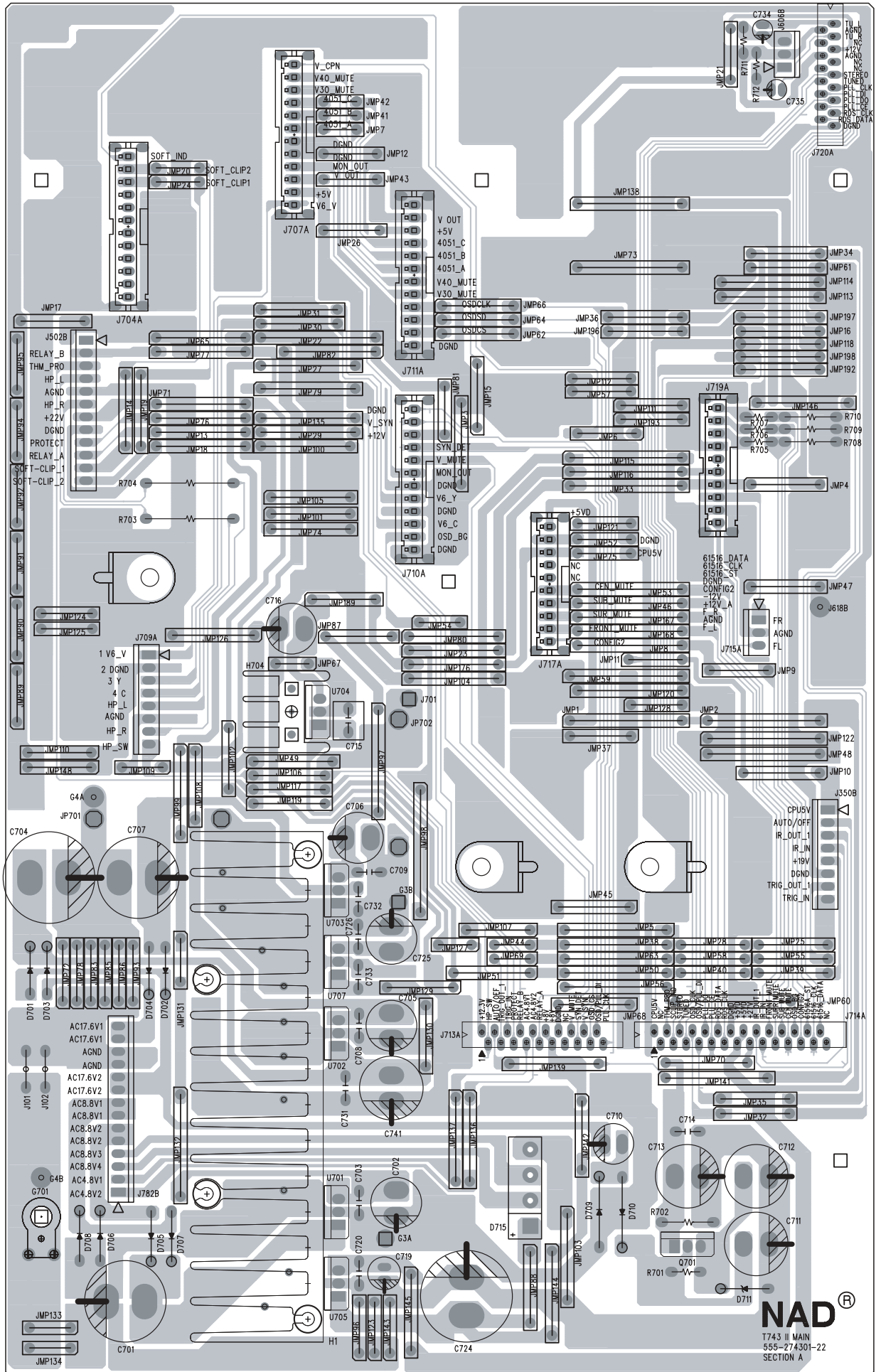
KEYBOARD - COMPONENT SIDE



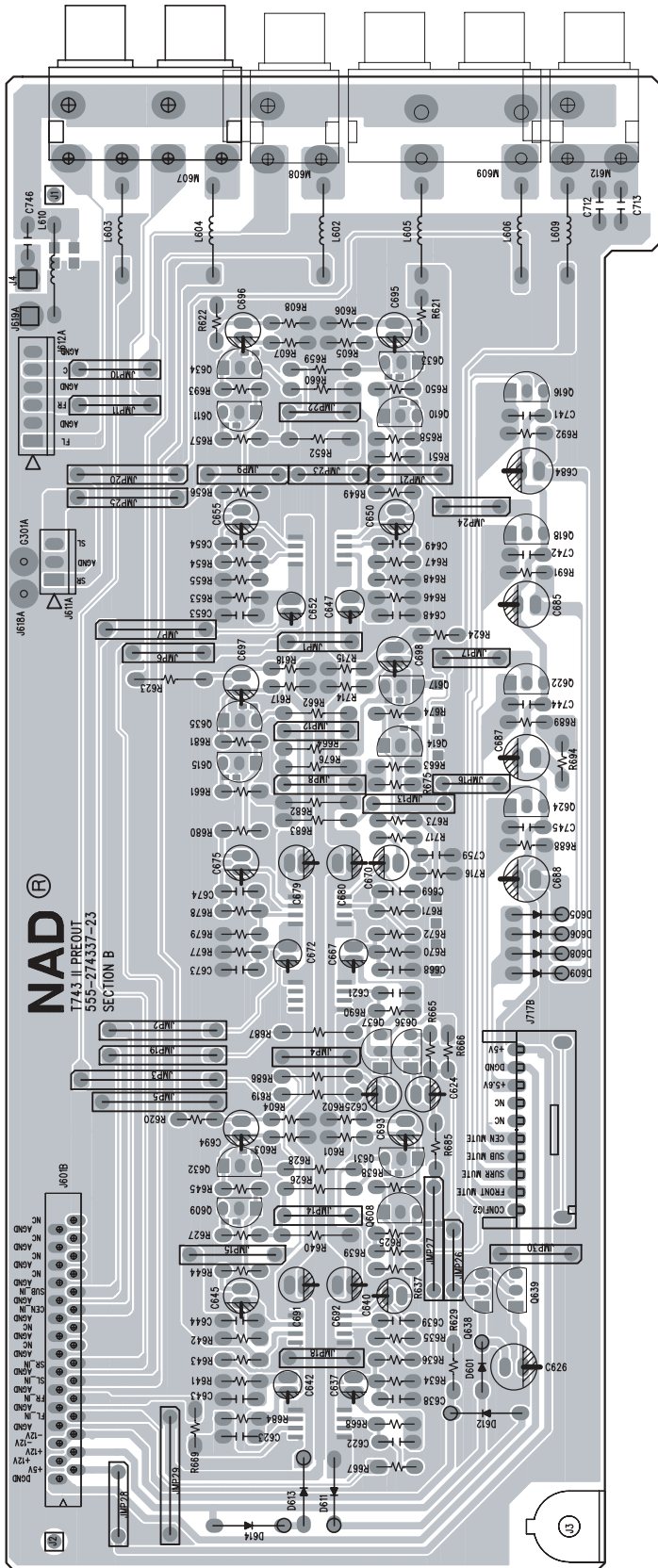
- COPPER SIDE



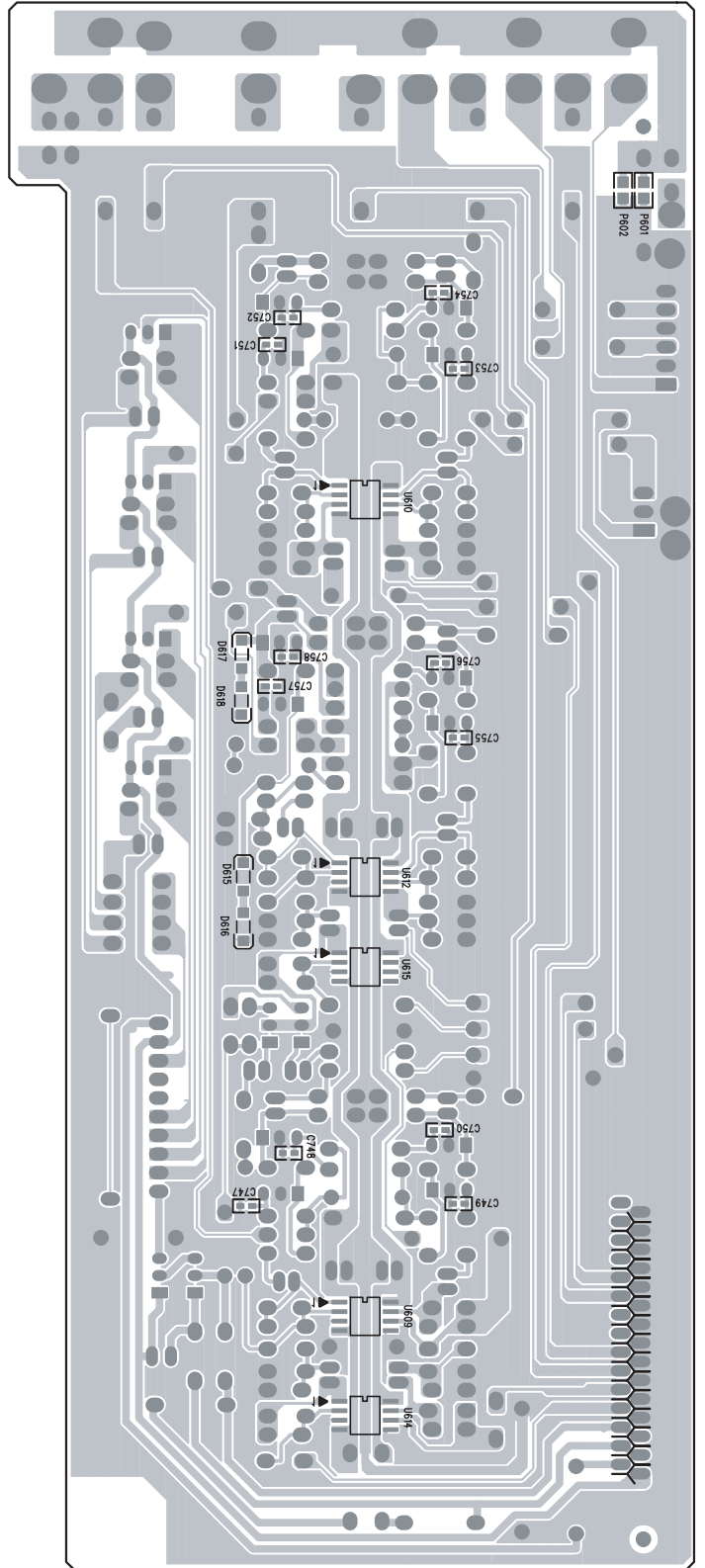
MAIN BOARD



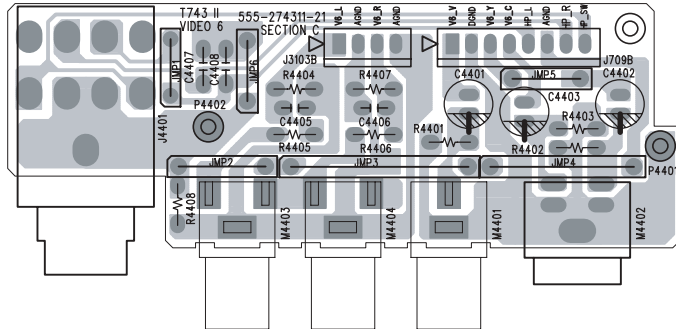
**PRE-OUT BOARD
- COMPONENT SIDE**



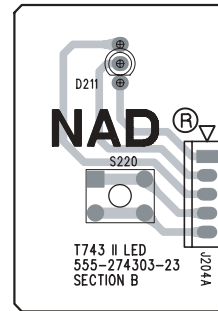
- COPPER SIDE



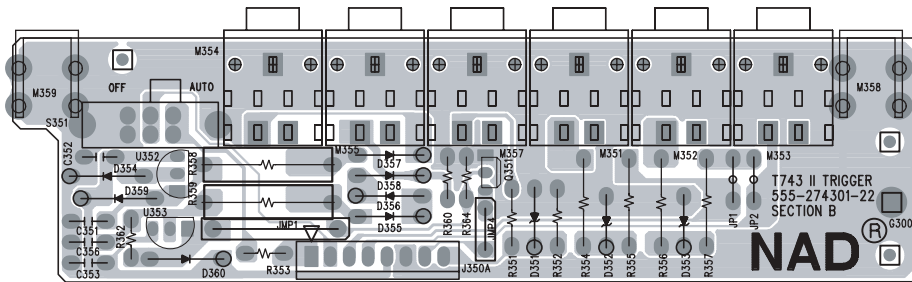
VIDEO 6 BOARD



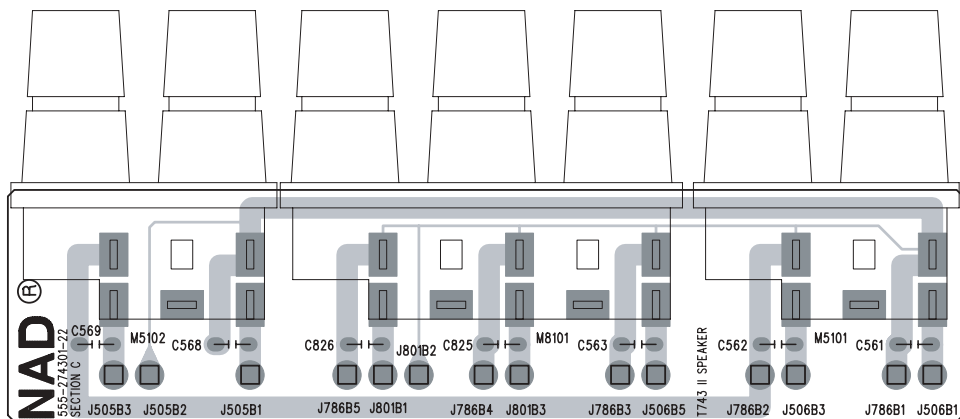
LED BOARD



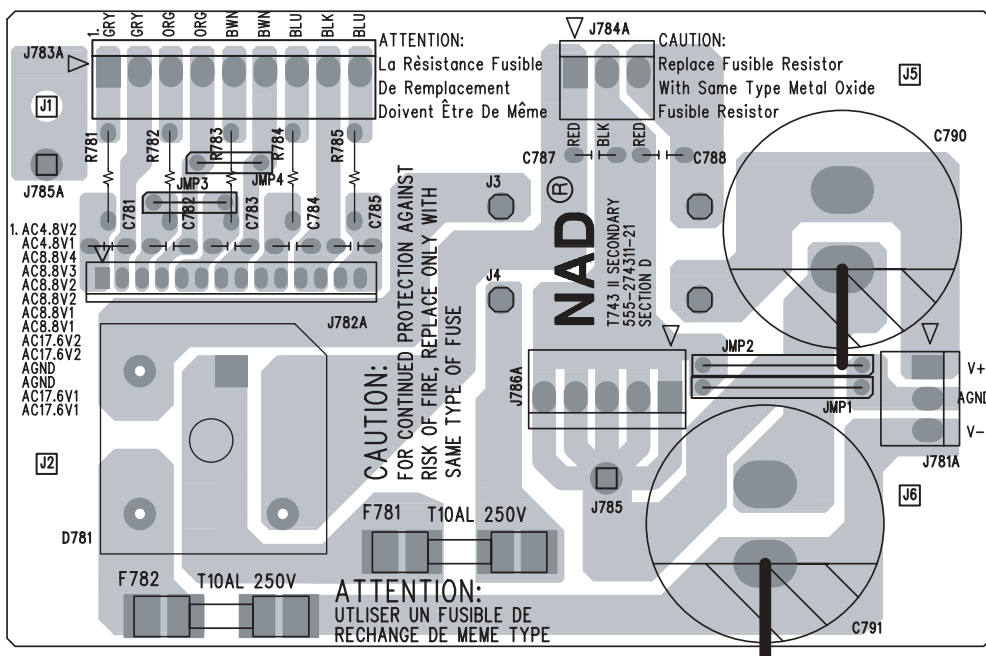
TRIGGER BOARD



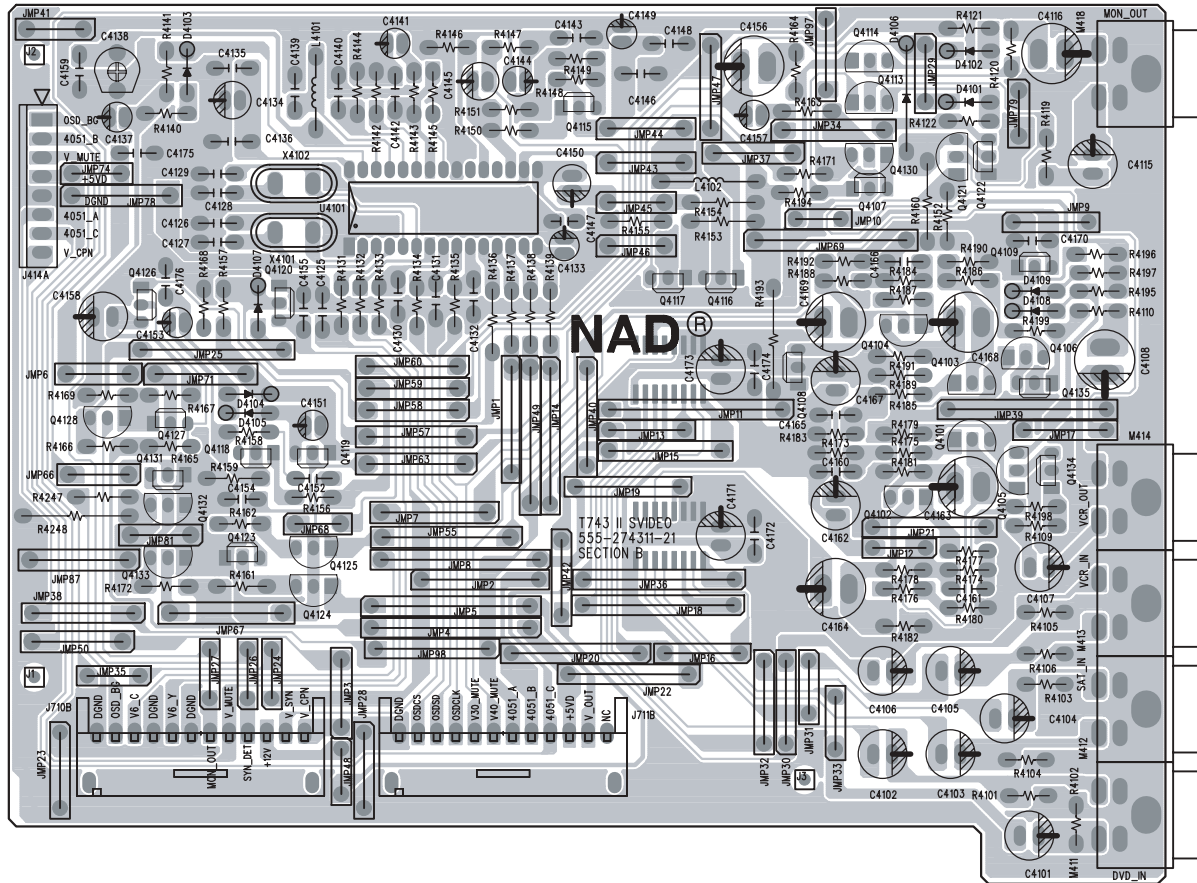
SPEAKER TERMINAL BOARD



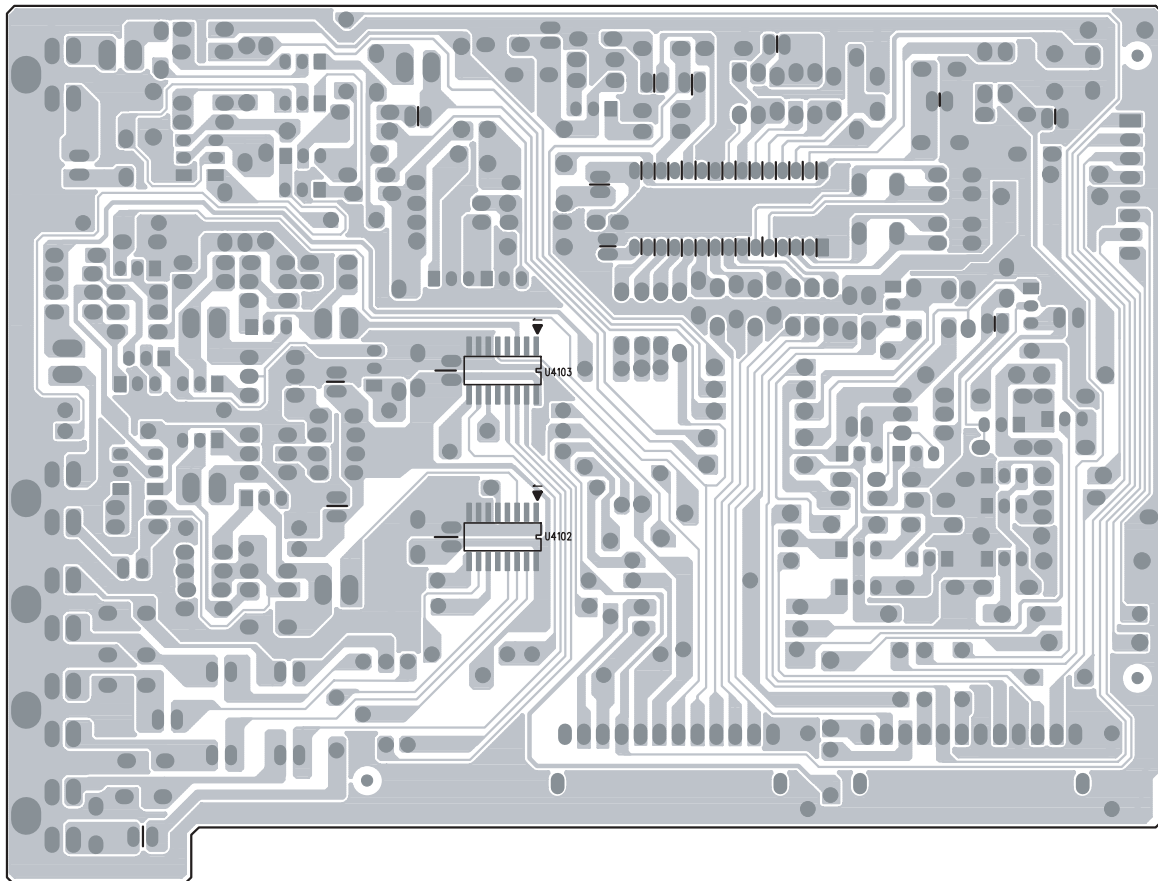
POWER SUPPLY (SECONDARY)



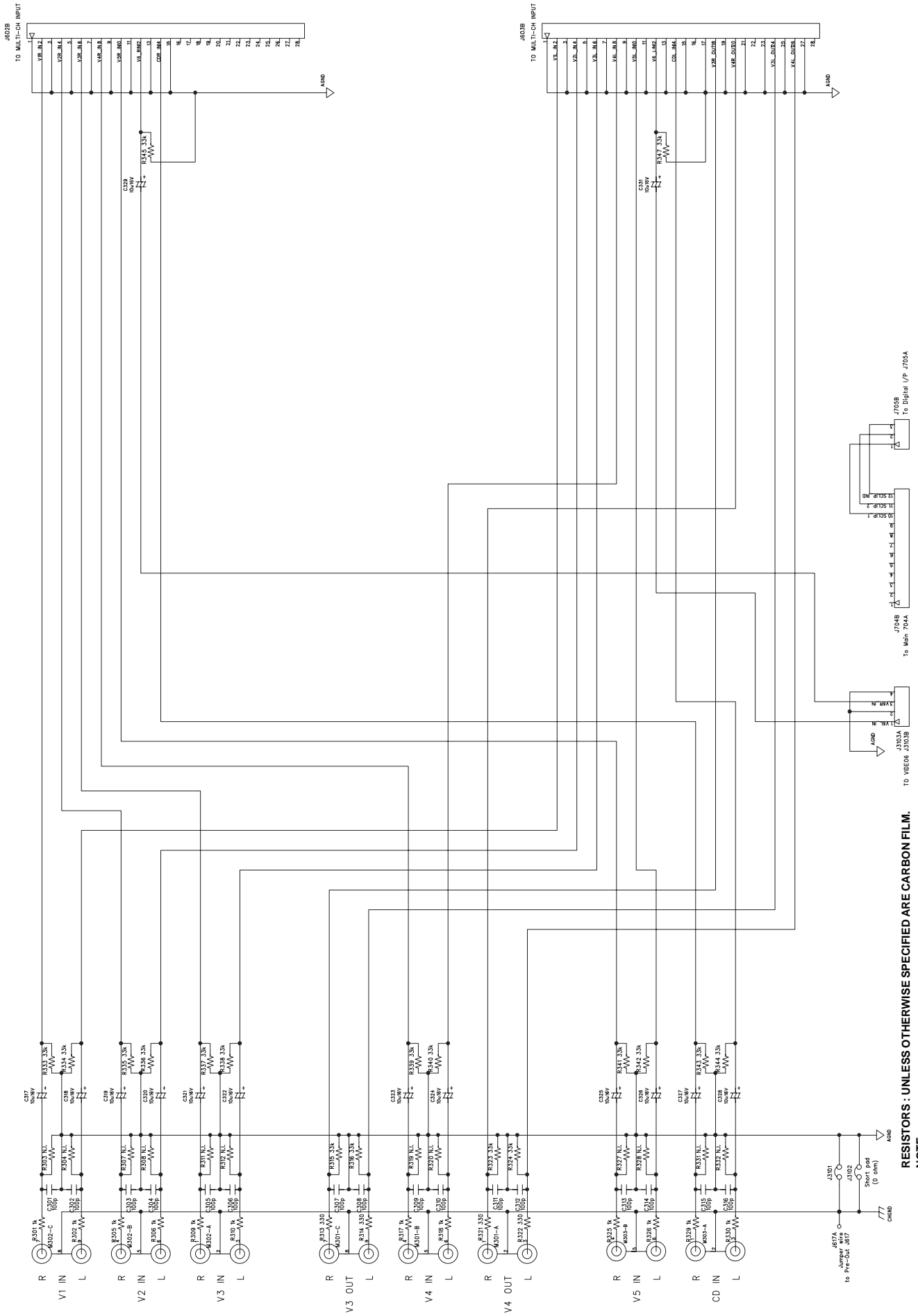
S-VIDEO BOARD - COMPONENT SIDE



S-VIDEO BOARD - COPPER SIDE



SCHEMATIC DIAGRAM AUDIO SWITCH

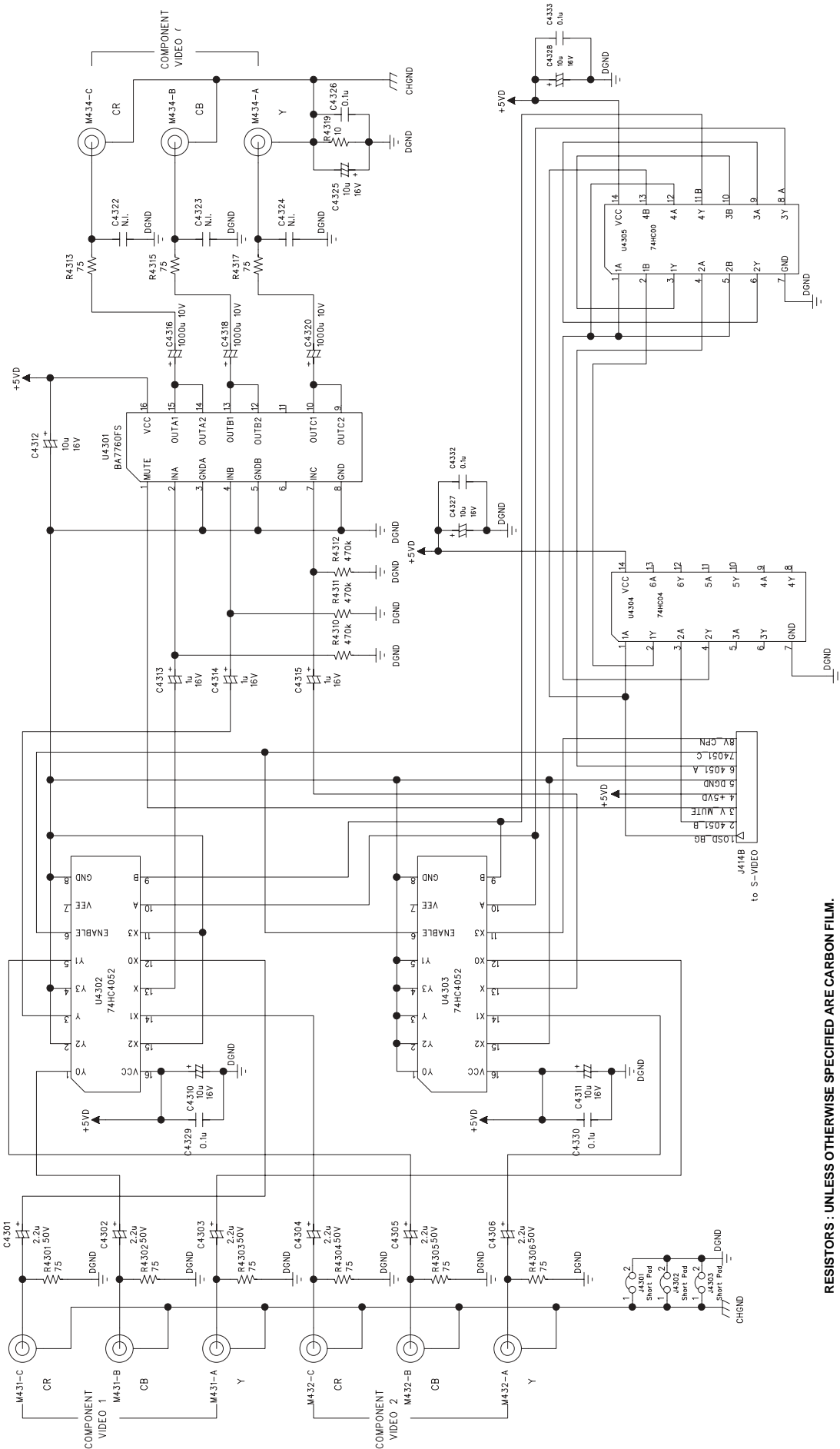


RESISTORS : UNLESS OTHERWISE SPECIFIED ARE CARBON FILM.

NOTE:
1. RESISTORS, UNLESS OTHERWISE SPECIFIED, ARE 1/6W, 5%.

2. ALL CERAMIC CAPACITORS, UNLESS OTHERWISE SPECIFIED, ARE 50V, 10%.

COMPONENT VIDEO

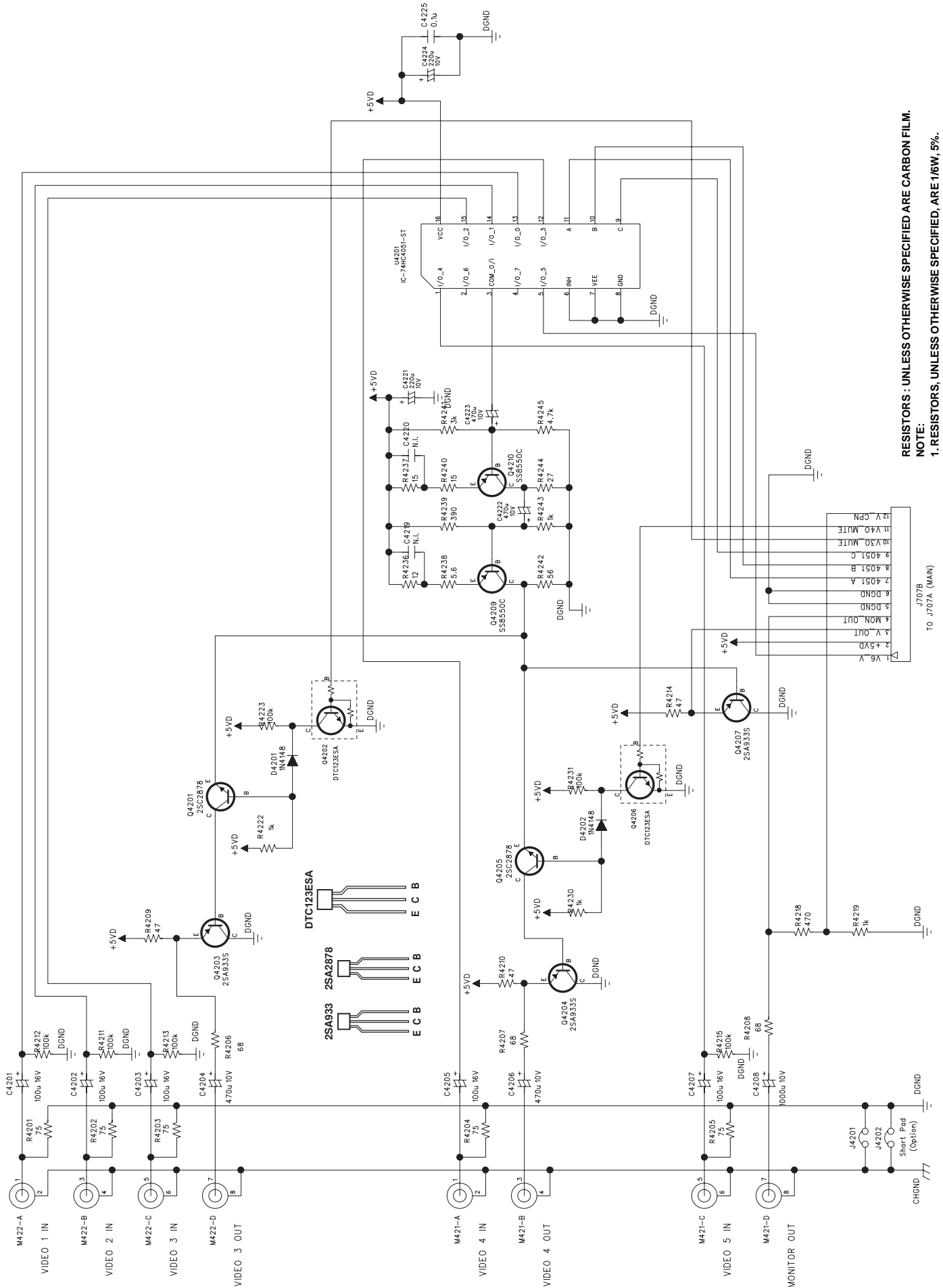


RESISTORS : UNLESS OTHERWISE SPECIFIED ARE CARBON FILM.

NOTE:

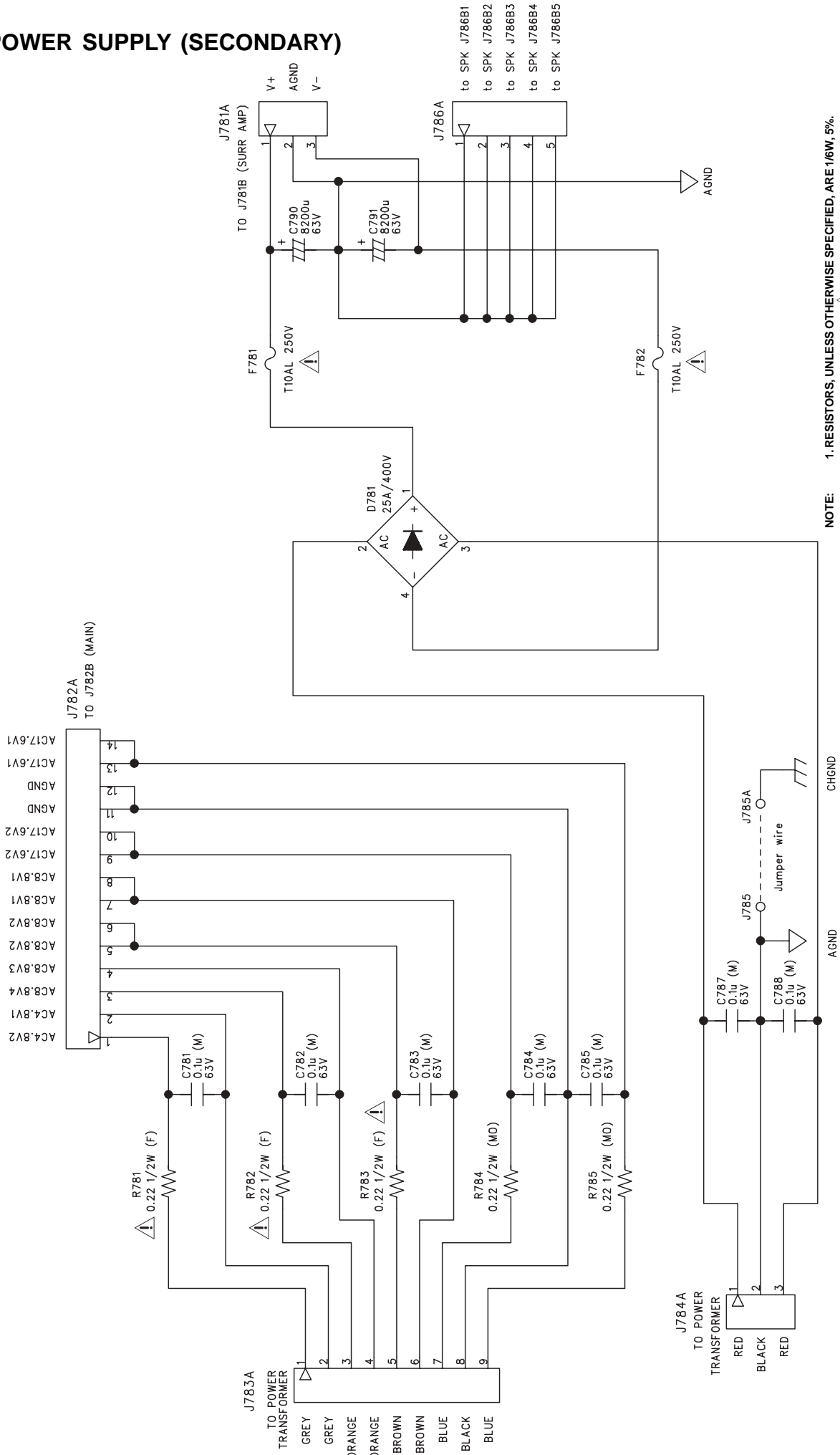
1. RESISTORS, UNLESS OTHERWISE SPECIFIED, ARE 1/6W, 5%.
2. ALL CERAMIC CAPACITORS, UNLESS OTHERWISE SPECIFIED, ARE 50V, 10%.

COMPOSITE VIDEO

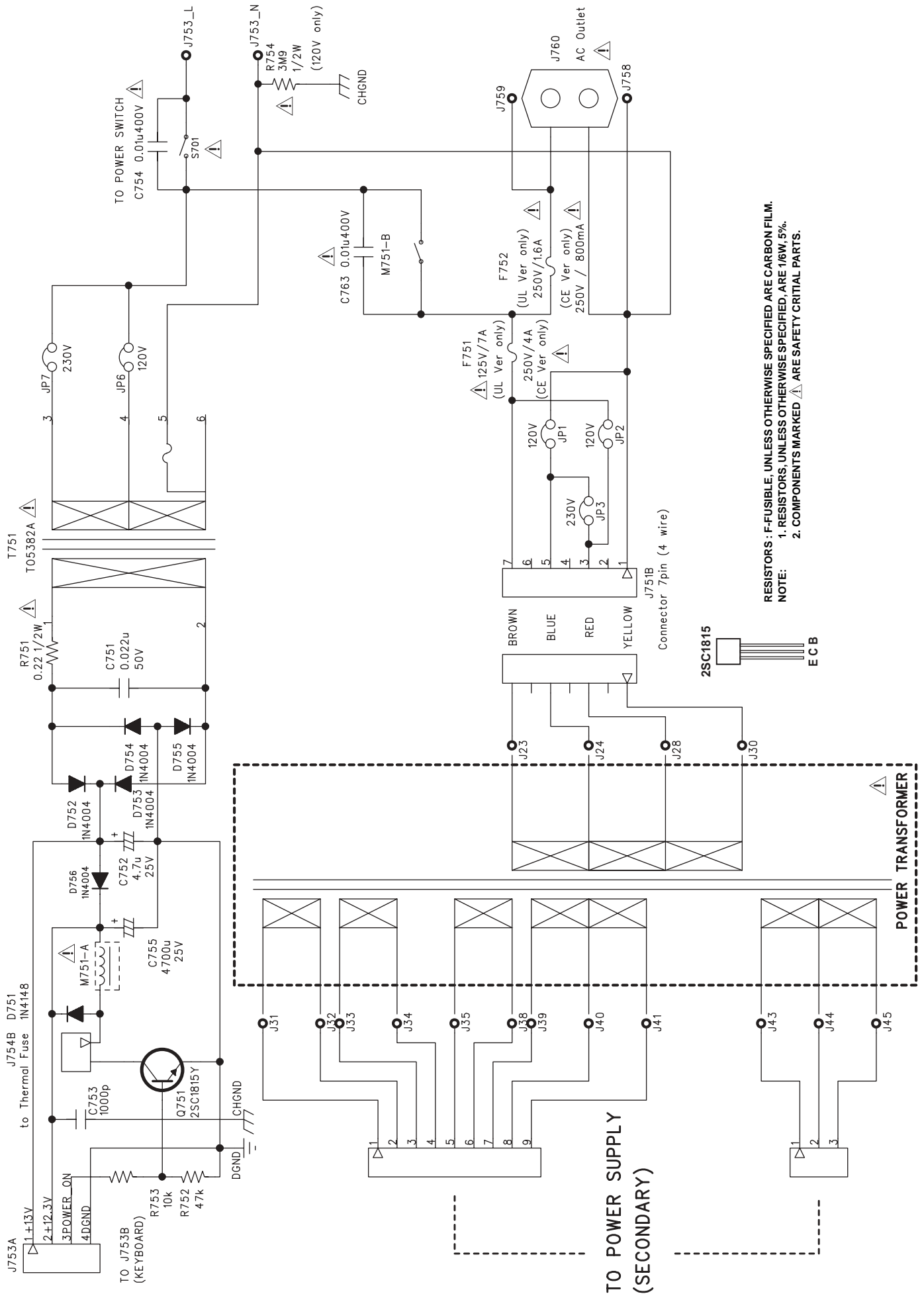


RESISTORS : UNLESS OTHERWISE SPECIFIED ARE CARBON FILM.
 NOTE:
 1. RESISTORS, UNLESS OTHERWISE SPECIFIED, ARE 1/6W, 5%.
 2. ALL CERAMIC CAPACITORS, UNLESS OTHERWISE SPECIFIED, ARE 50V, 10%.

POWER SUPPLY (SECONDARY)

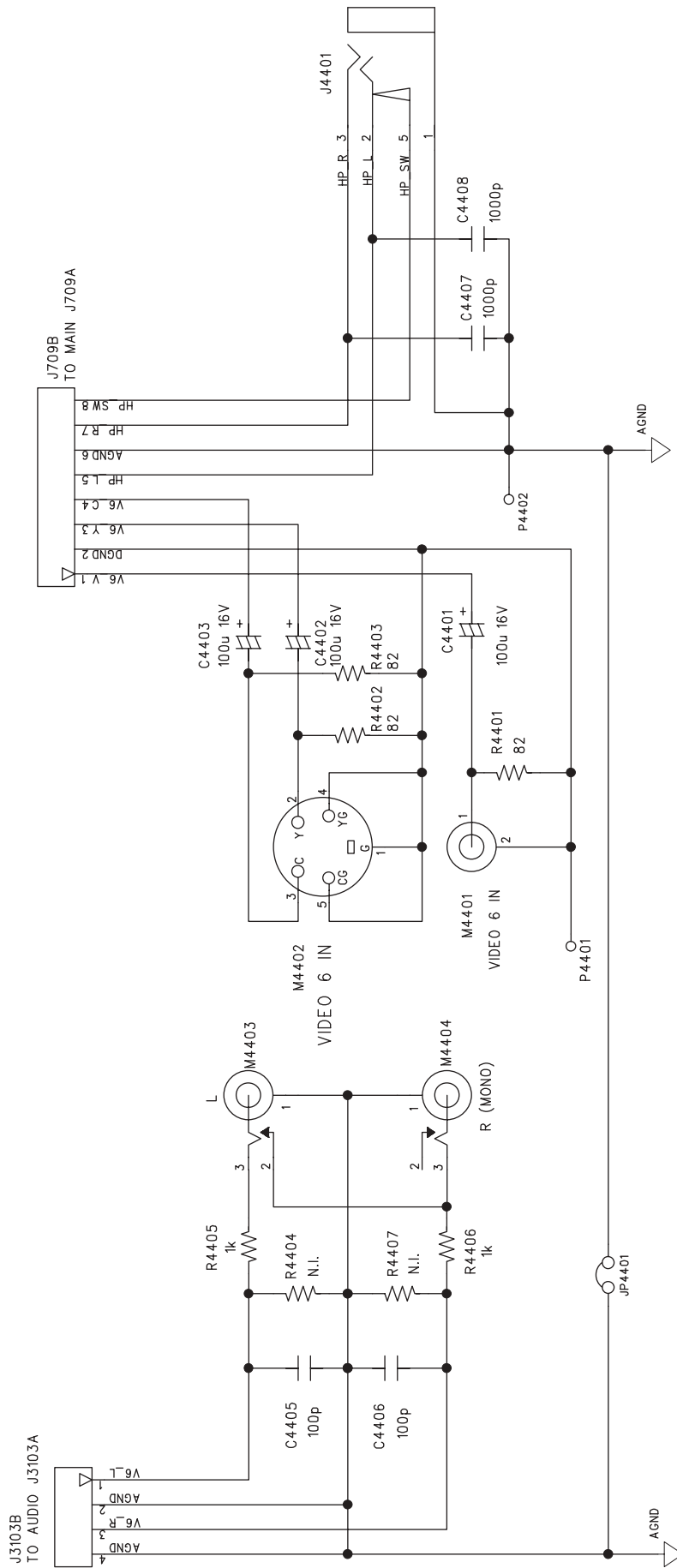


POWER SUPPLY (STAND BY)



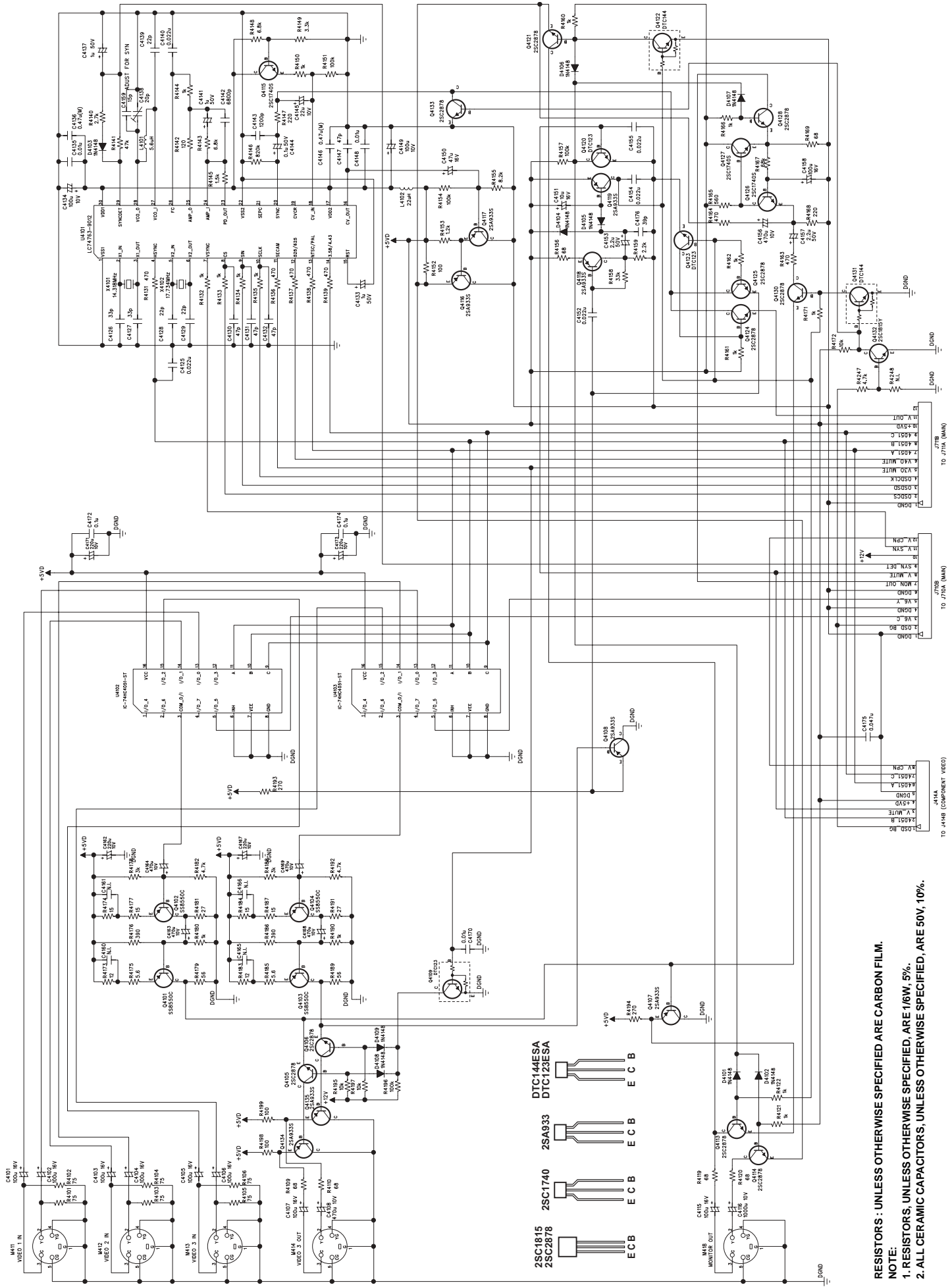
RESISTORS : F-FUSIBLE, UNLESS OTHERWISE SPECIFIED ARE CARBON FILM.
 NOTE: 1. RESISTORS, UNLESS OTHERWISE SPECIFIED, ARE 1/6W, 5%.
 2. COMPONENTS MARKED ⚠ ARE SAFETY CRITICAL PARTS.

VIDEO 6



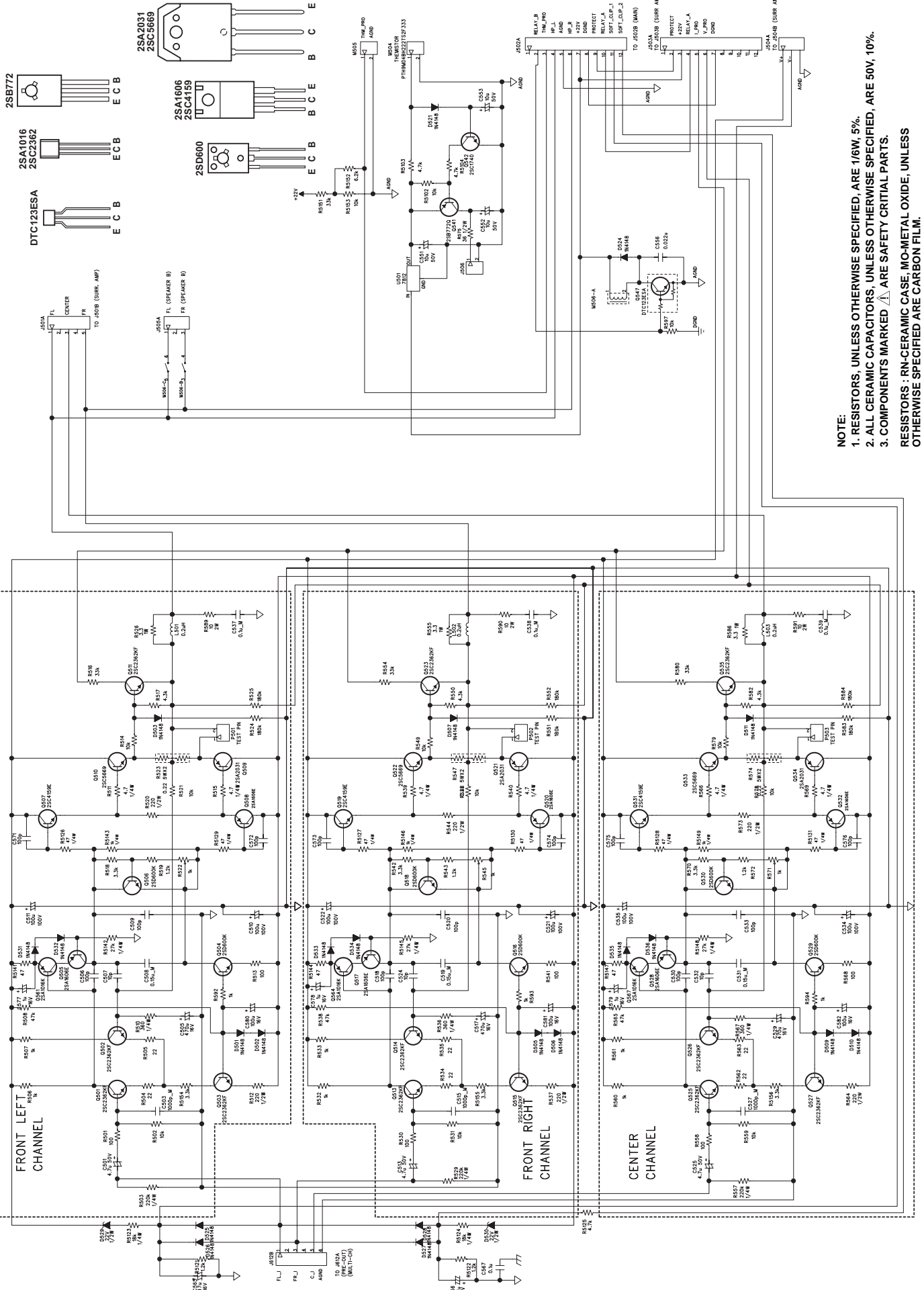
RESISTORS : UNLESS OTHERWISE SPECIFIED ARE CARBON FILM.
 NOTE:
 1. RESISTORS, UNLESS OTHERWISE SPECIFIED, ARE 1/6W, 5%.
 2. ALL CERAMIC CAPACITORS, UNLESS OTHERWISE SPECIFIED, ARE 50V, 10%.

S-VIDEO



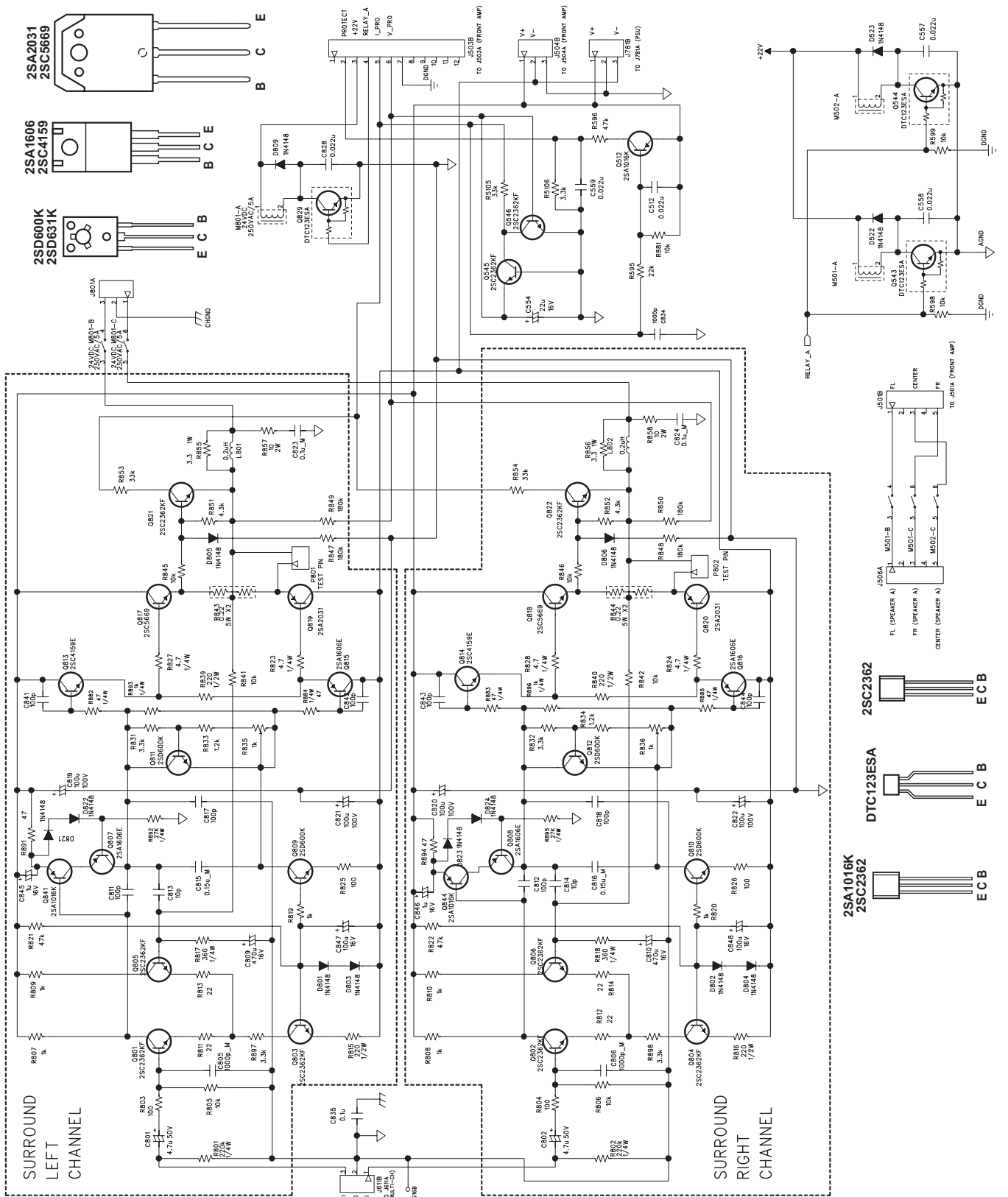
RESISTORS : UNLESS OTHERWISE SPECIFIED ARE CARBON FILM.
 NOTE:
 1. RESISTORS, UNLESS OTHERWISE SPECIFIED, ARE 1/8W, 5%.
 2. ALL CERAMIC CAPACITORS, UNLESS OTHERWISE SPECIFIED, ARE 50V, 10%.

FRONT / CENTER AMPLIFIER



NOTE:
 1. ALL RESISTORS, UNLESS OTHERWISE SPECIFIED, ARE 1/6W, 5%.
 2. ALL CERAMIC CAPACITORS, UNLESS OTHERWISE SPECIFIED, ARE 50V, 10%.
 3. COMPONENTS MARKED Δ ARE SAFETY CRITICAL PARTS.
 RESISTORS: RN-CERAMIC CASE, MO-METAL OXIDE, UNLESS OTHERWISE SPECIFIED ARE CARBON FILM.

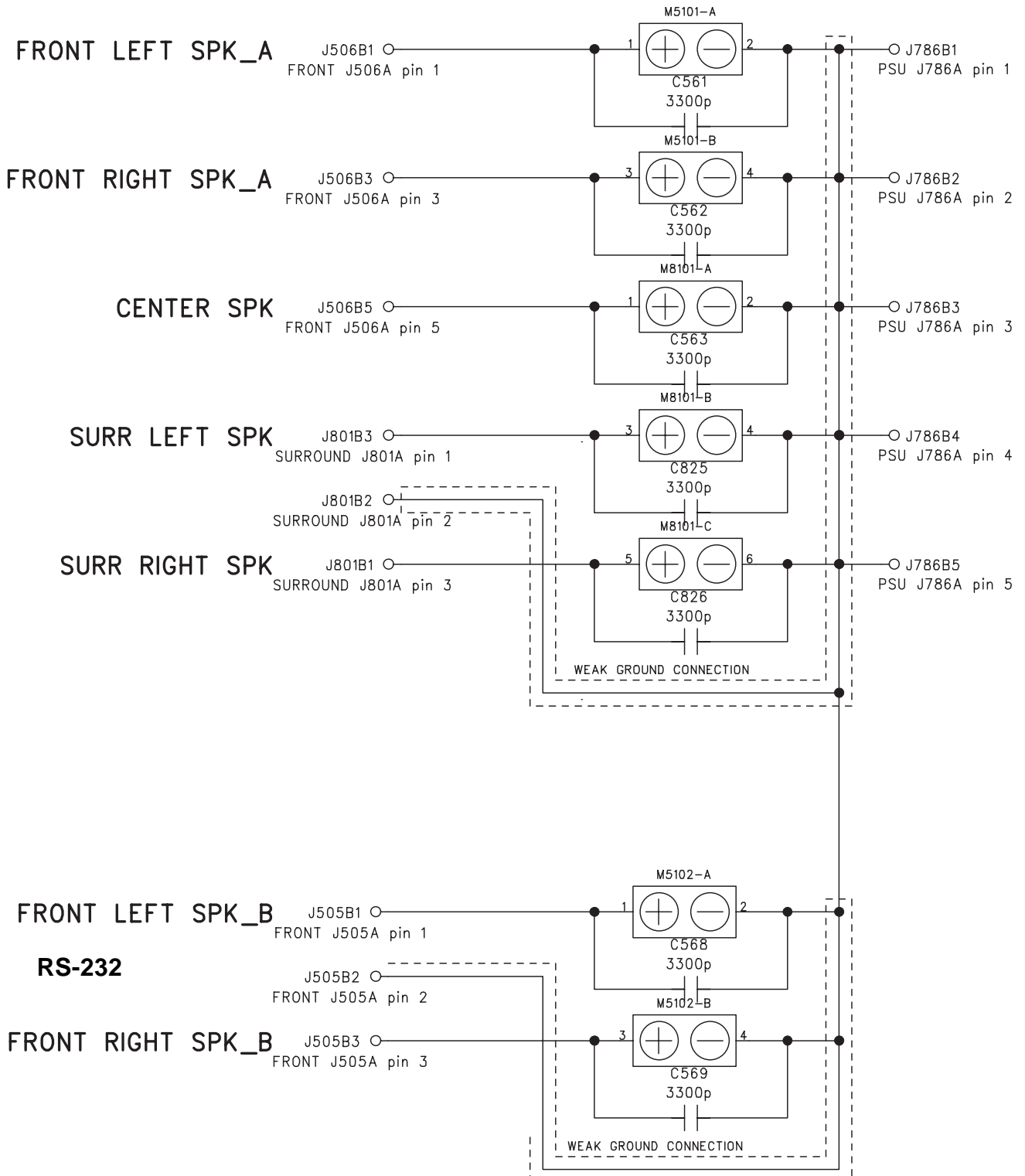
SURROUND AMPLIFIER



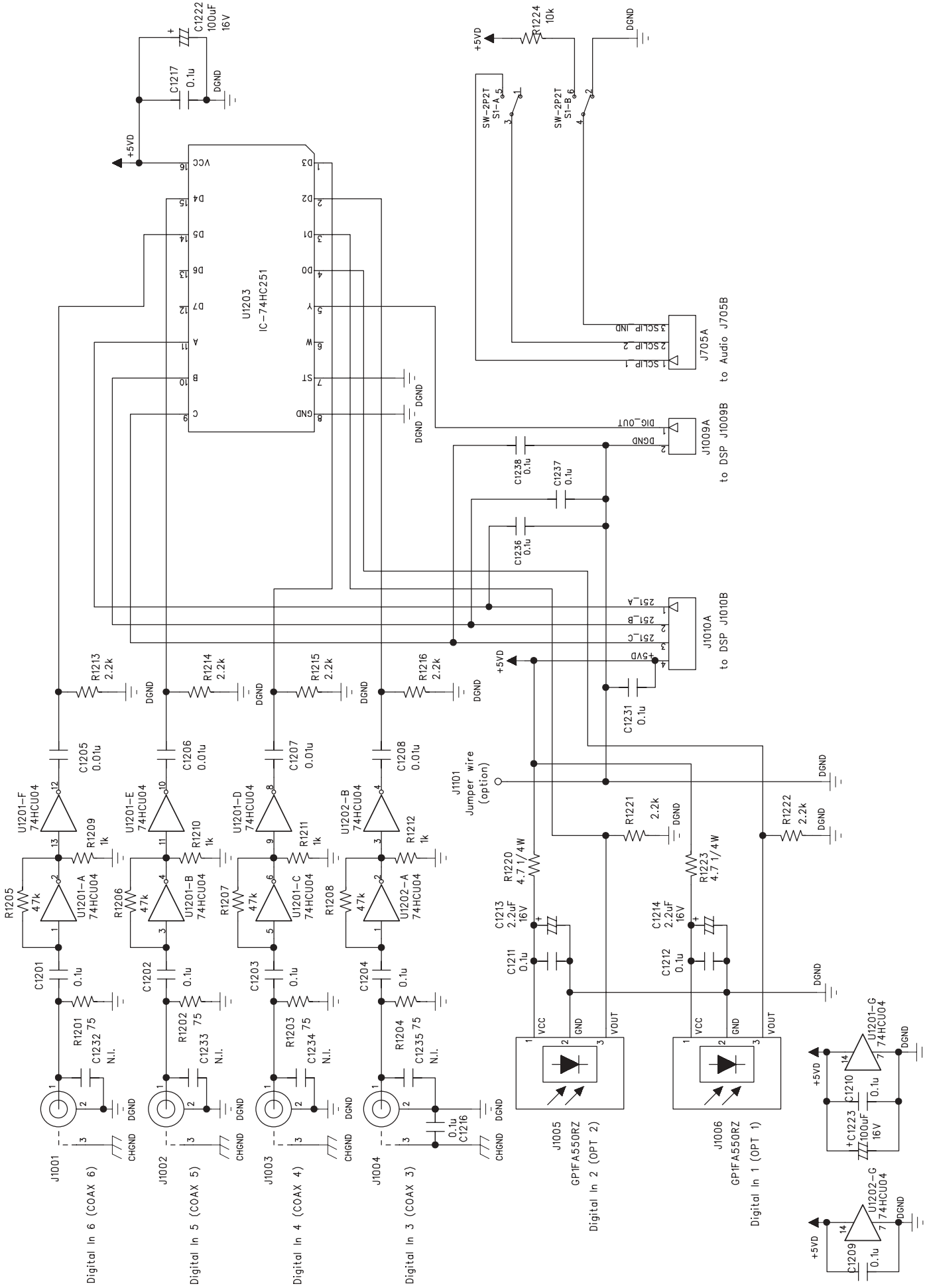
- NOTE:**
1. RESISTORS, UNLESS OTHERWISE SPECIFIED, ARE 1/6W, 5%.
 2. ALL CERAMIC CAPACITORS, UNLESS OTHERWISE SPECIFIED, ARE 50V, 10%.
 3. COMPONENTS MARKED \triangle ARE SAFETY CRITICAL PARTS.

RESISTORS: RN-CERAMIC CASE, MO-METAL OXIDE, UNLESS OTHERWISE SPECIFIED ARE CARBON FILM.

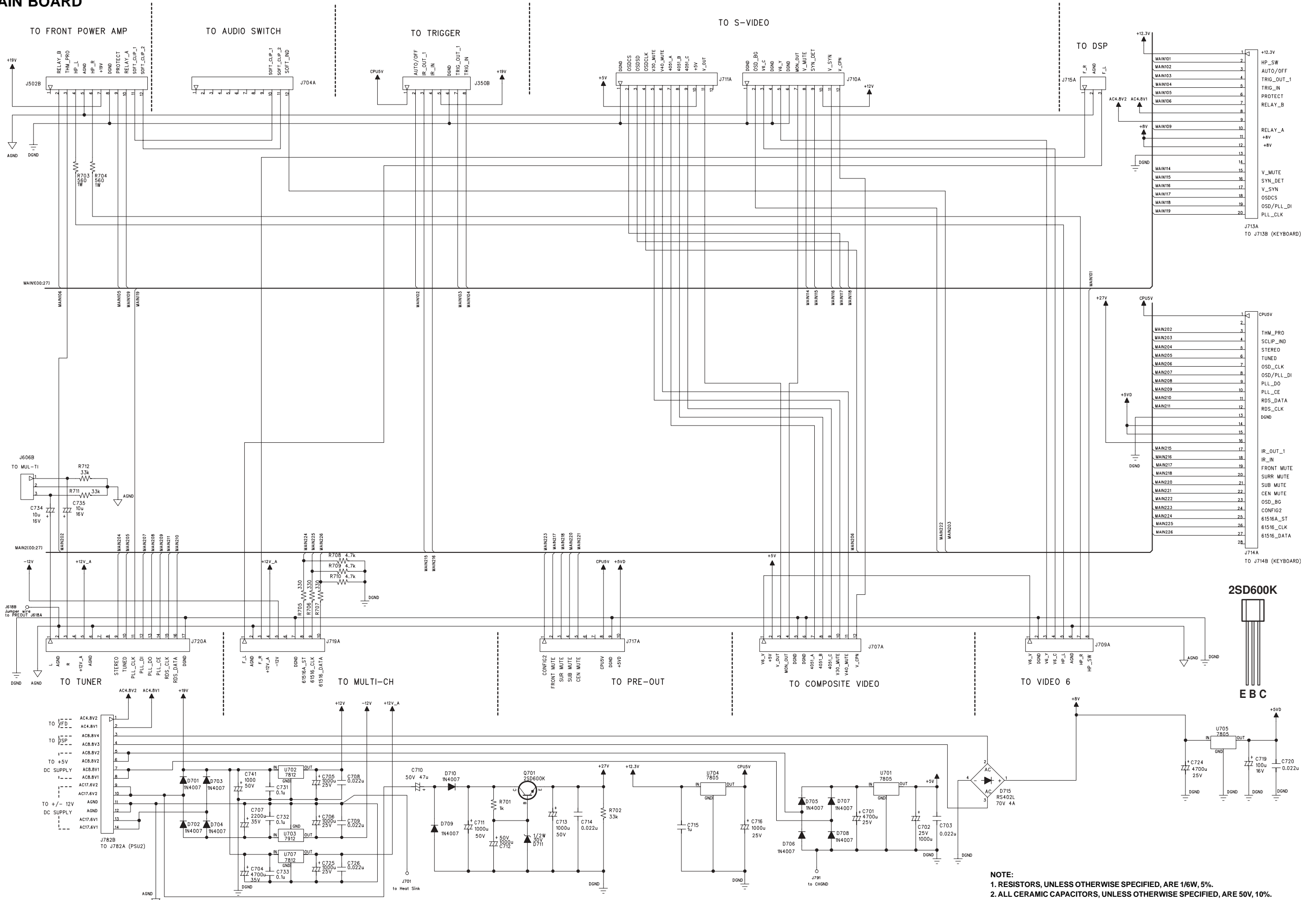
SPEAKER A & B



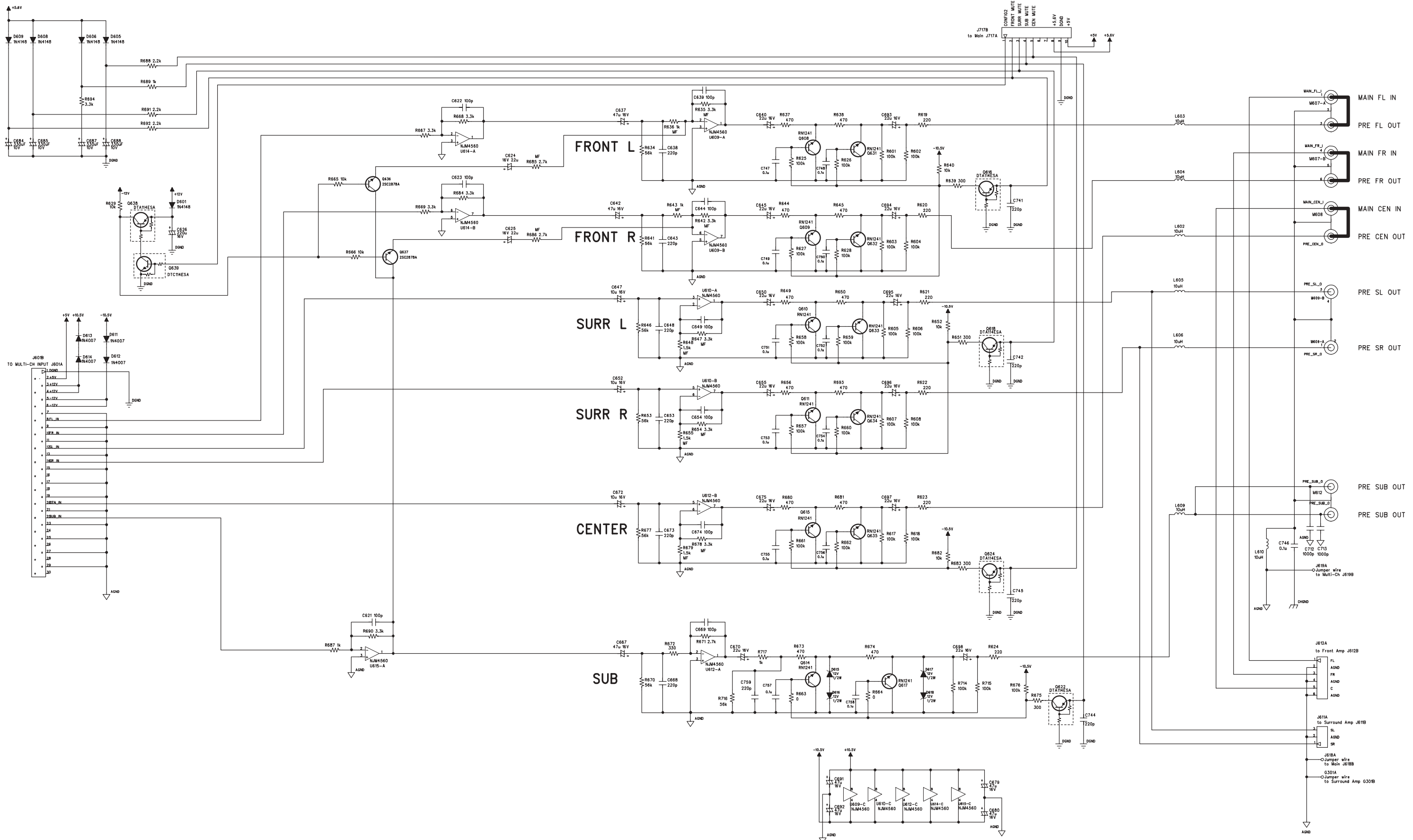
DIGITAL IN & OUT



MAIN BOARD

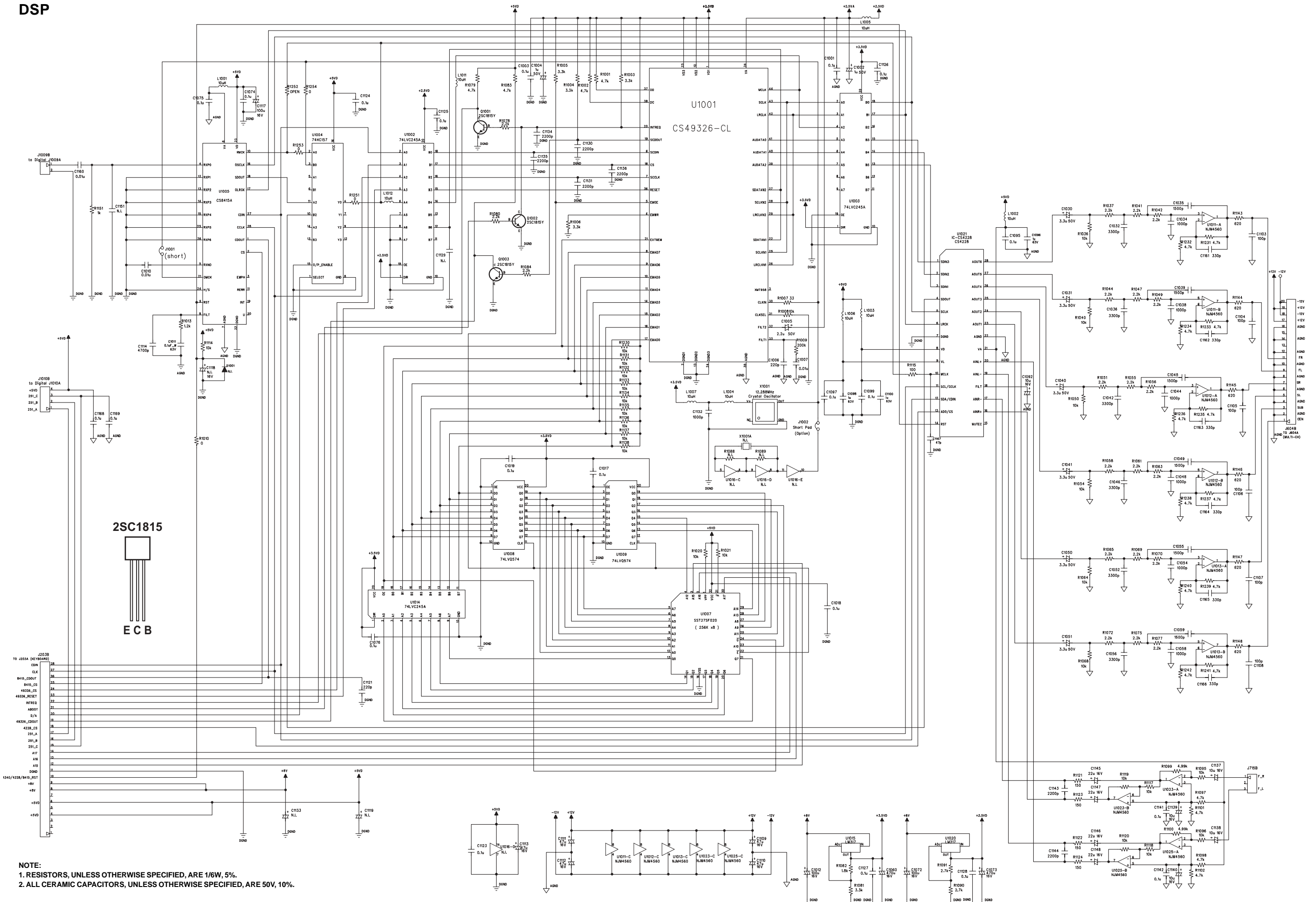


PRE-OUT



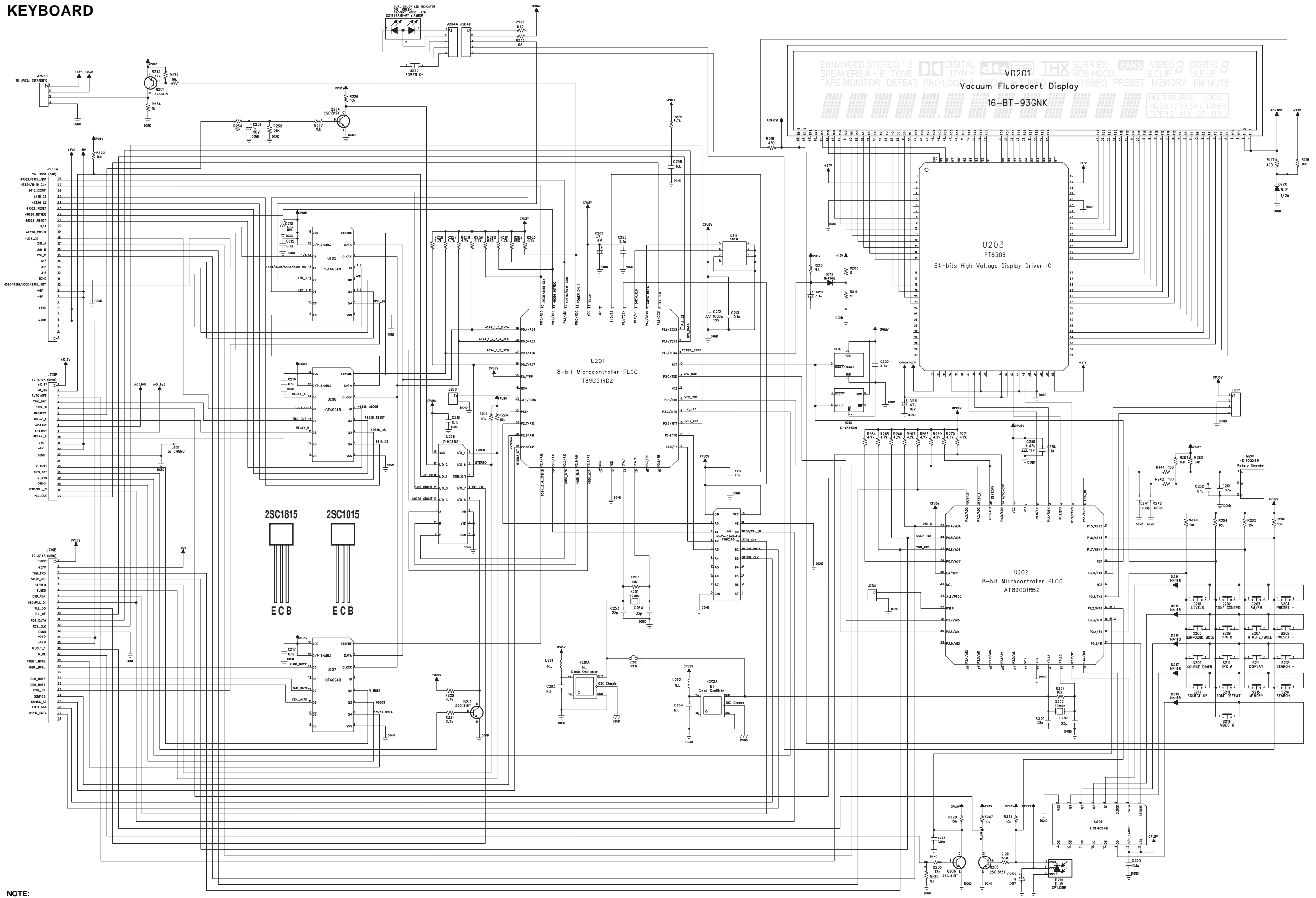
NOTE:
 1. RESISTORS, UNLESS OTHERWISE SPECIFIED, ARE 1/6W, 5%.
 2. ALL CERAMIC CAPACITORS, UNLESS OTHERWISE SPECIFIED, ARE 50V, 10%.

DSP



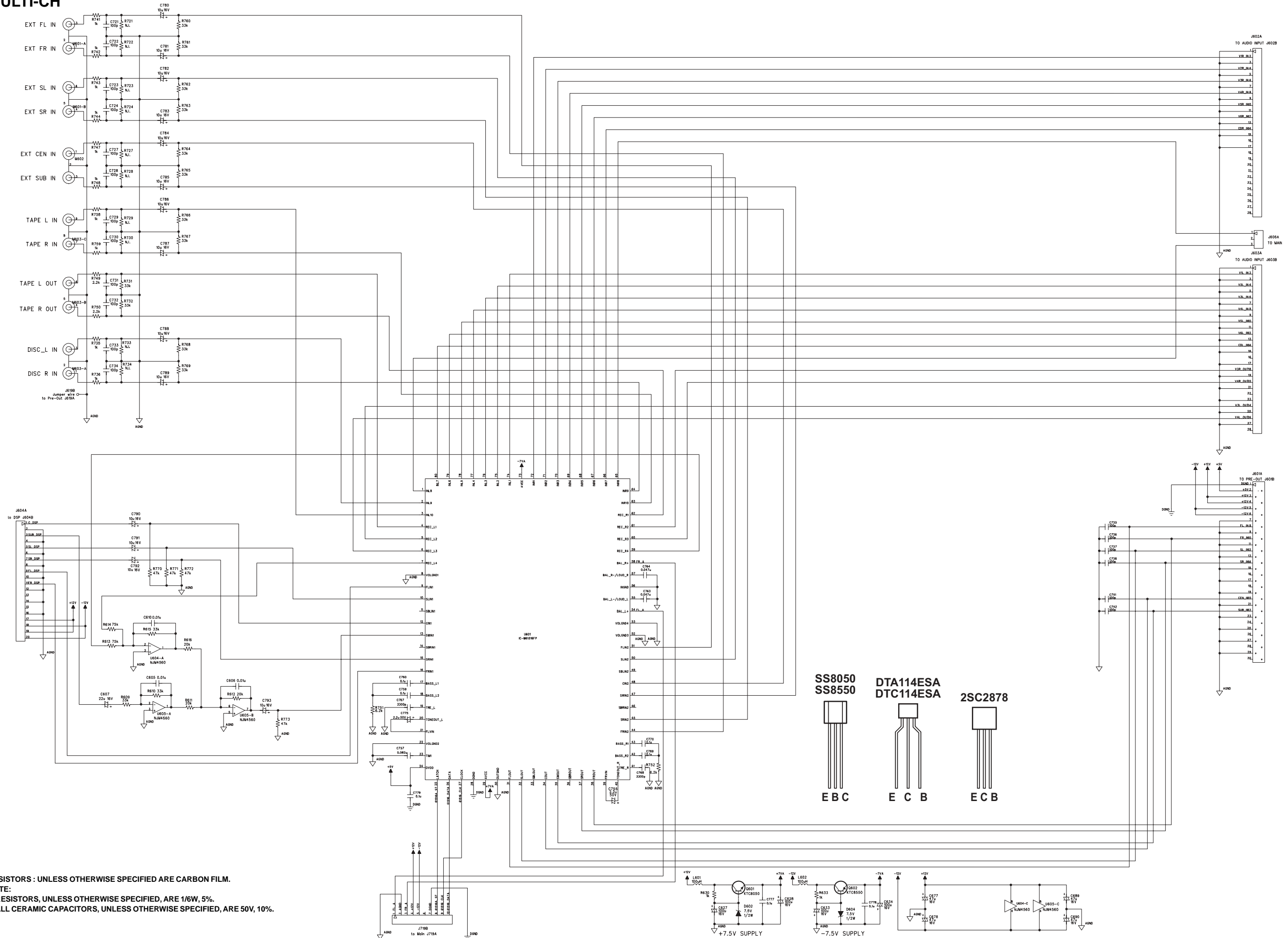
NOTE:
 1. RESISTORS, UNLESS OTHERWISE SPECIFIED, ARE 1/6W, 5%.
 2. ALL CERAMIC CAPACITORS, UNLESS OTHERWISE SPECIFIED, ARE 50V, 10%.

KEYBOARD



NOTE:
 1. RESISTORS, UNLESS OTHERWISE SPECIFIED, ARE 1/6W, 5%.
 2. ALL CERAMIC CAPACITORS, UNLESS OTHERWISE SPECIFIED, ARE 50V, 5%.

MULTI-CH



RESISTORS : UNLESS OTHERWISE SPECIFIED ARE CARBON FILM.
 NOTE:
 1. RESISTORS, UNLESS OTHERWISE SPECIFIED, ARE 1/6W, 5%.
 2. ALL CERAMIC CAPACITORS, UNLESS OTHERWISE SPECIFIED, ARE 50V, 10%.

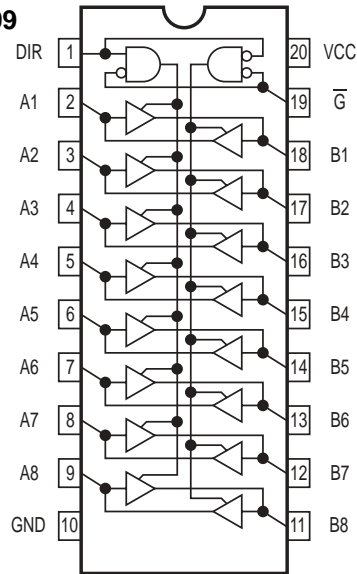
IC BLOCK DIAGRAM

74LVC245

DSP BOARD: U1002, U1003, U1014

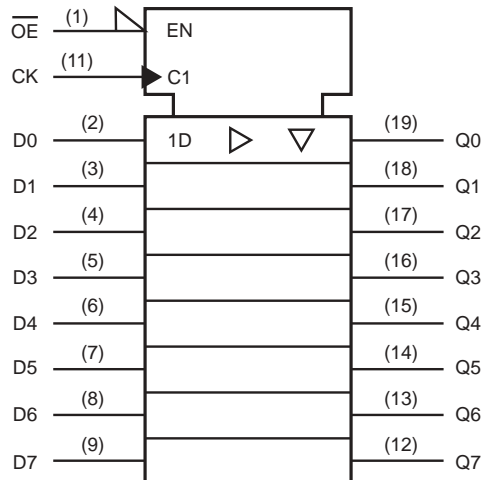
74VHC245

KEYBOARD: U209



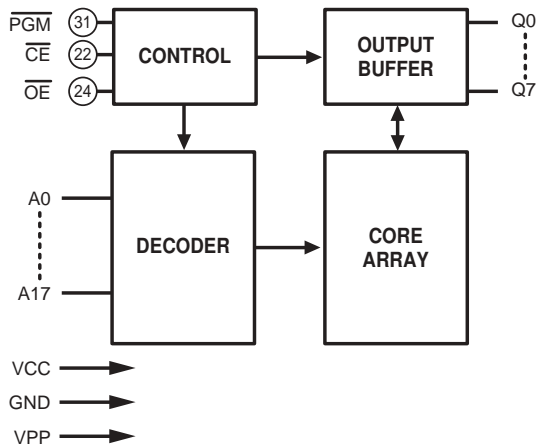
74LVQ574

DSP BOARD: U1008, U1009



W27C020

DSP BOARD: U1007

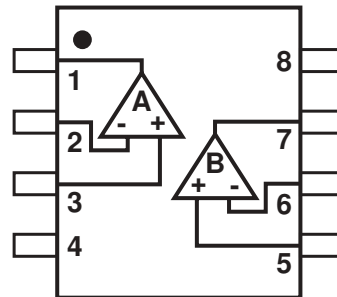


NJM4560

DSP BOARD: U1011~U1013, U1023 & U1025

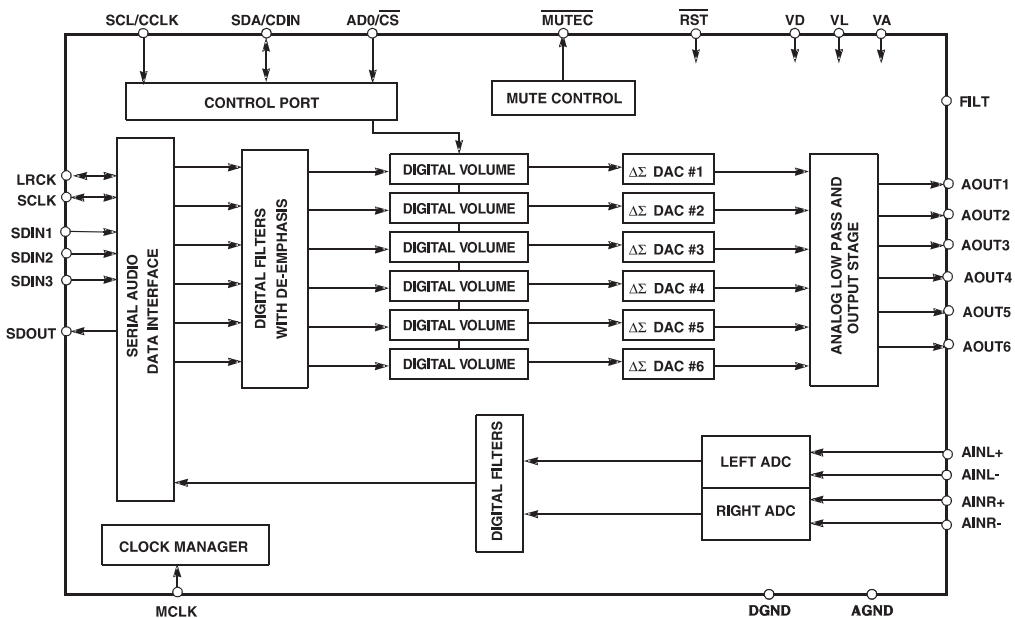
MULTI-CHANNEL: U604, U605

PRE-OUT BOARD: U609, U610, U612, U614, U615

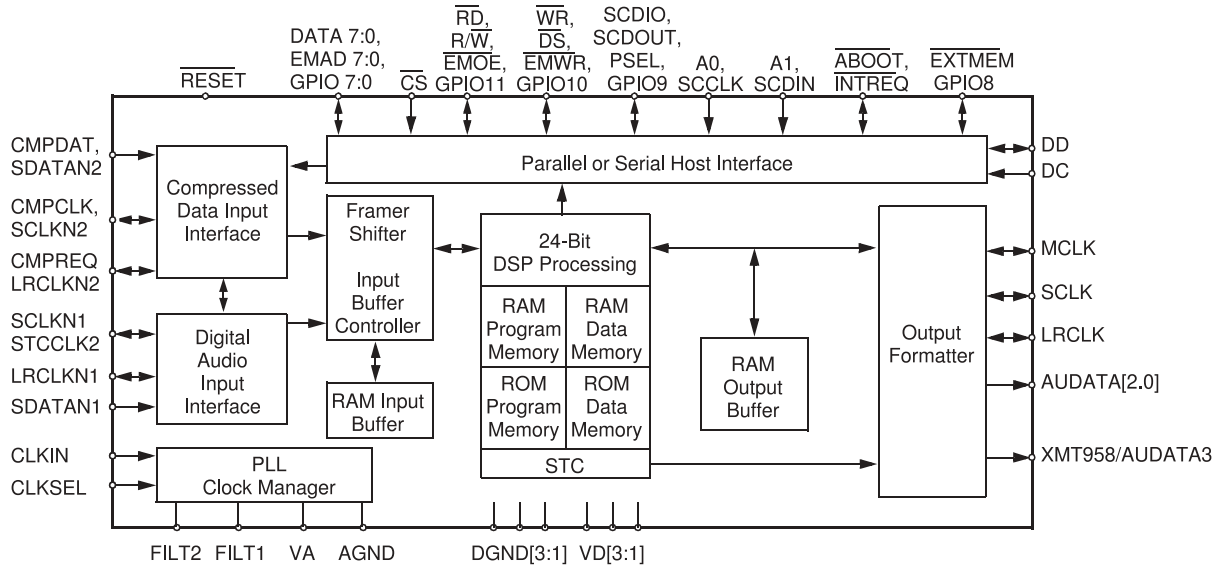


CS4228AKS

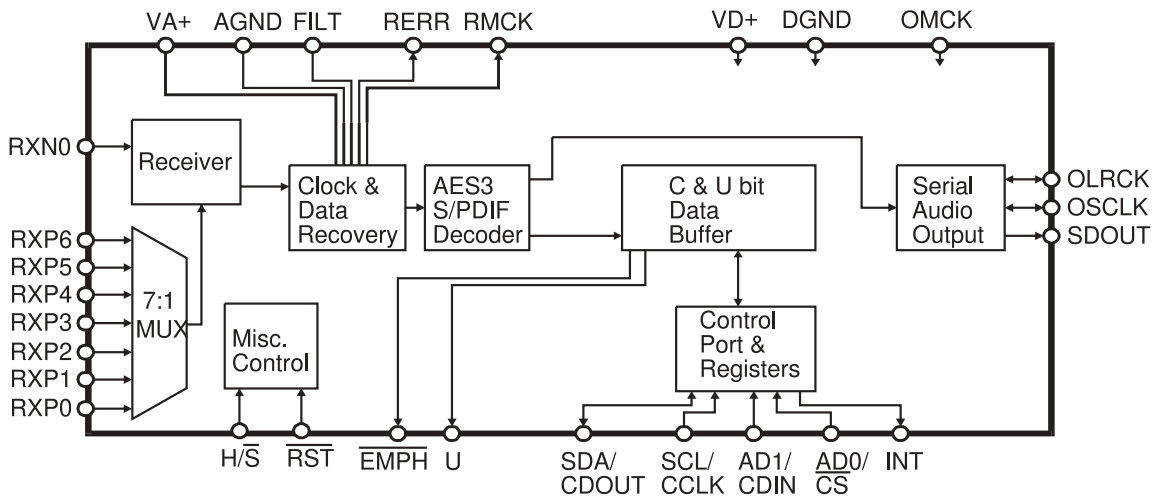
DSP BOARD: U1021



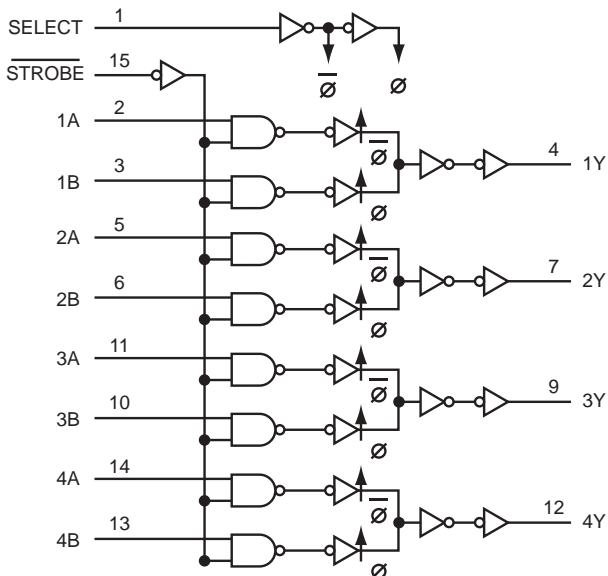
CS49326
DSP BOARD: U1001



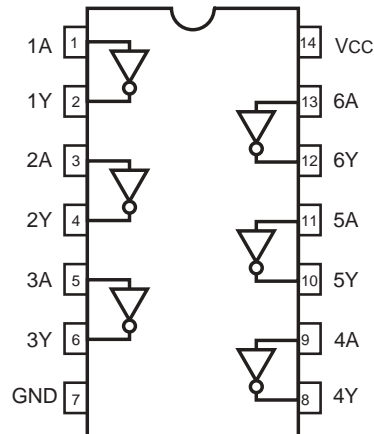
74HC157
DSP BOARD: U1004



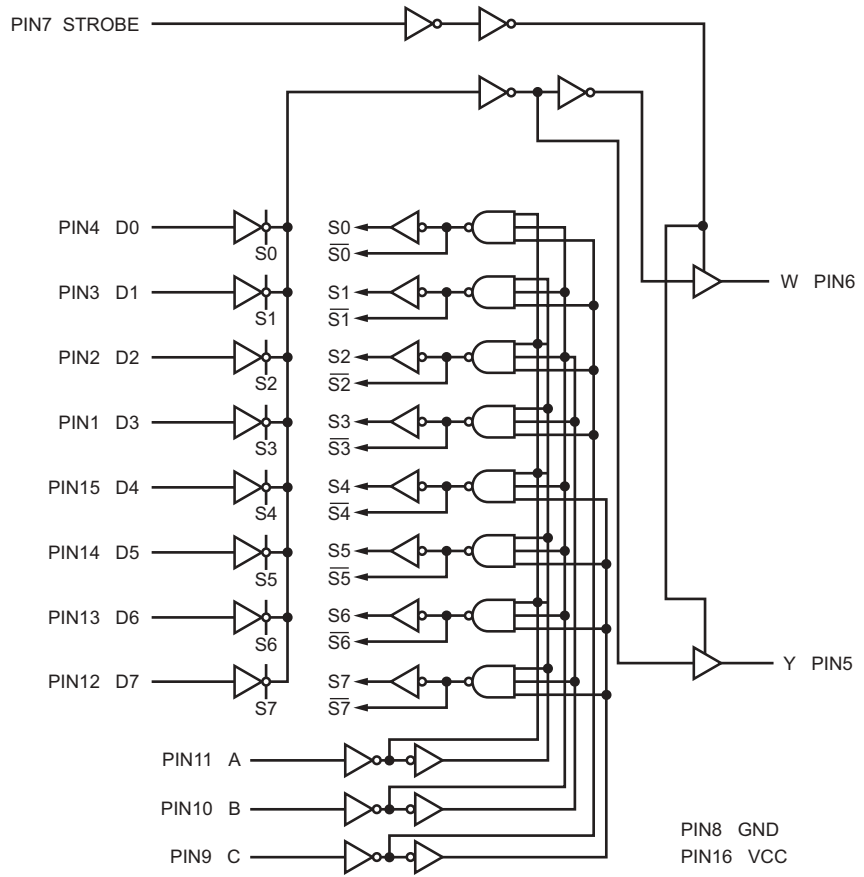
74HC157
DSP BOARD: U1004



74HCU04
DIGITAL BOARD: U1201 & U1202
COMPONENT VIDEO: U4304



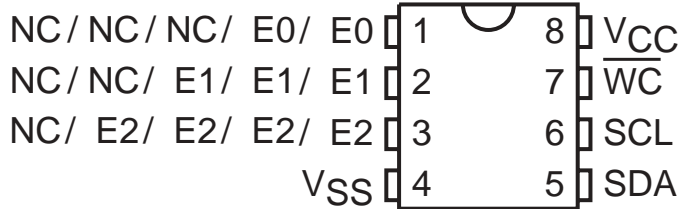
74HC251
DIGITAL BOARD: U1203



AT24C16
KEYBOARD: U210

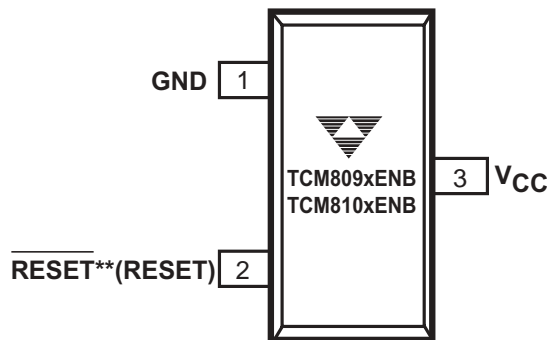
M24Cxx

16Kb/8Kb/4Kb/2Kb/1Kb



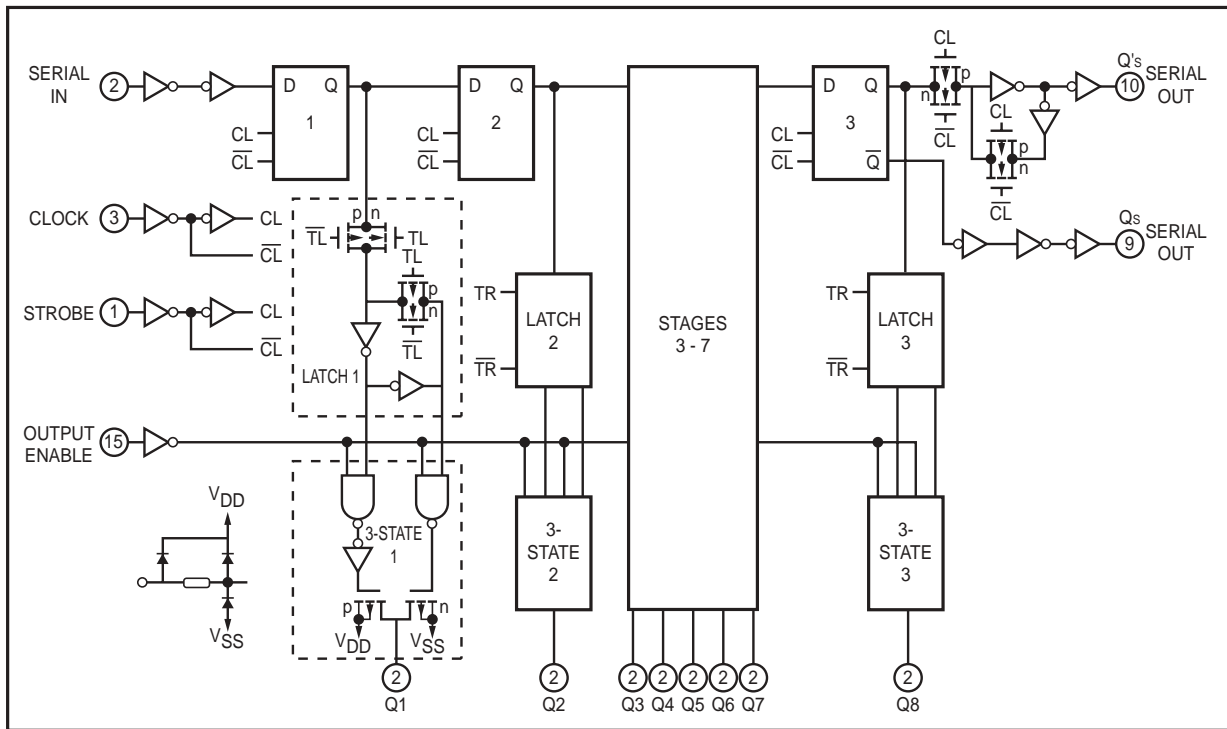
TCM810
KEYBOARD: U214

***3-Pin SOT-23B**

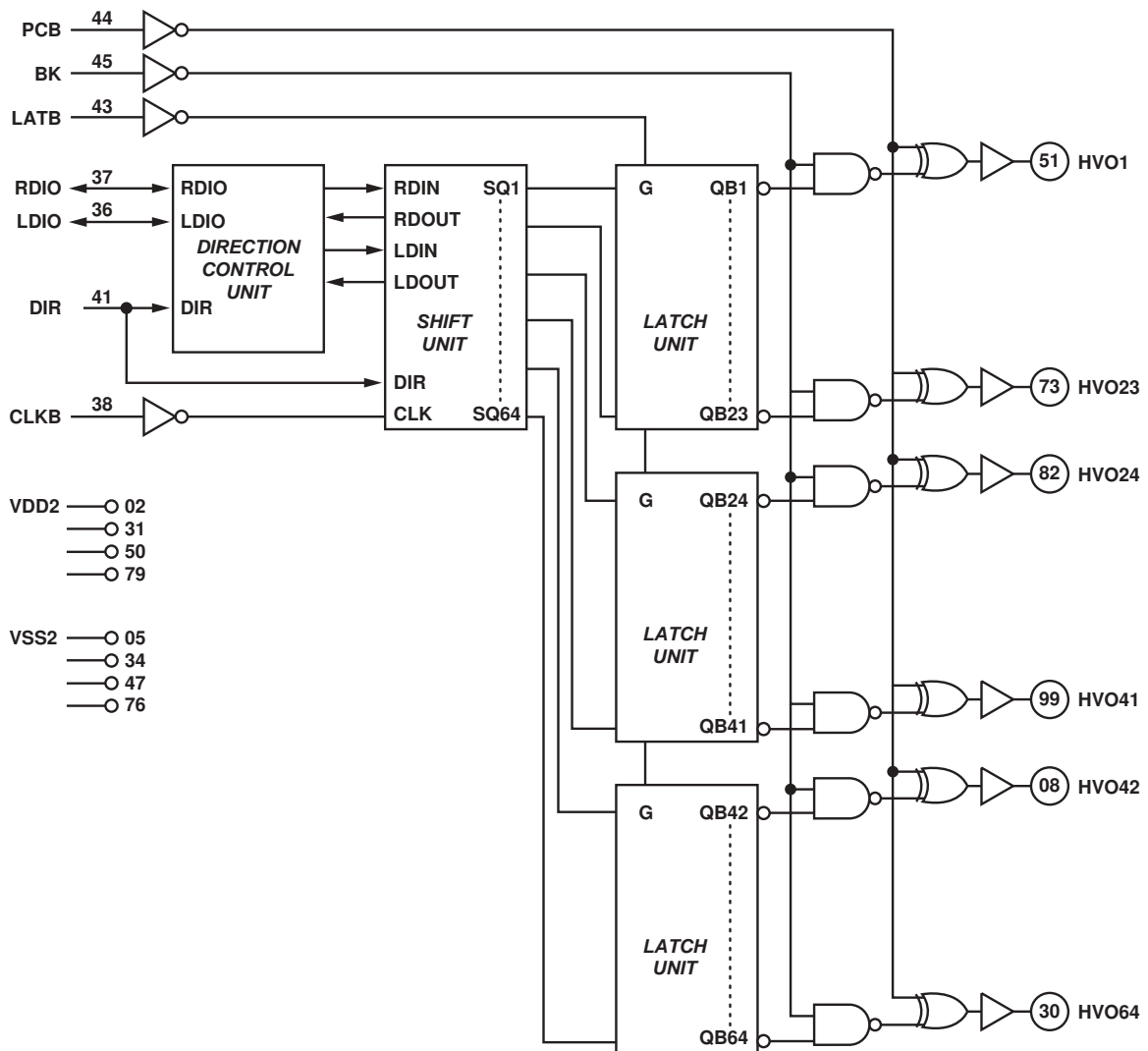


NOTE: *3-Pin SOT-23B is equivalent to JEDEC TO-236
** () is for TCM810

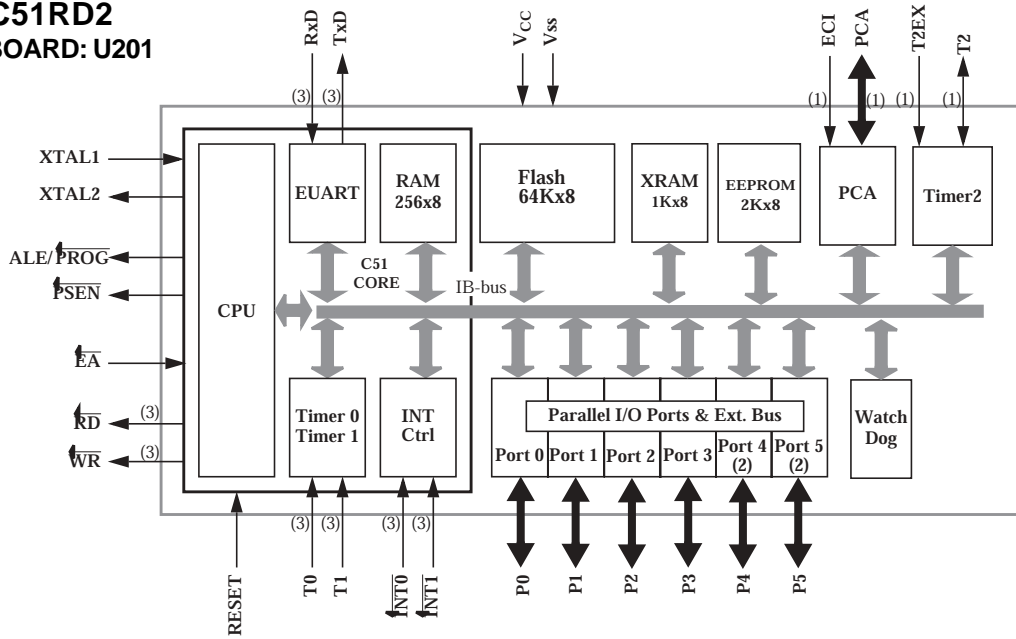
HCF4094B
KEYBOARD: U204~U207



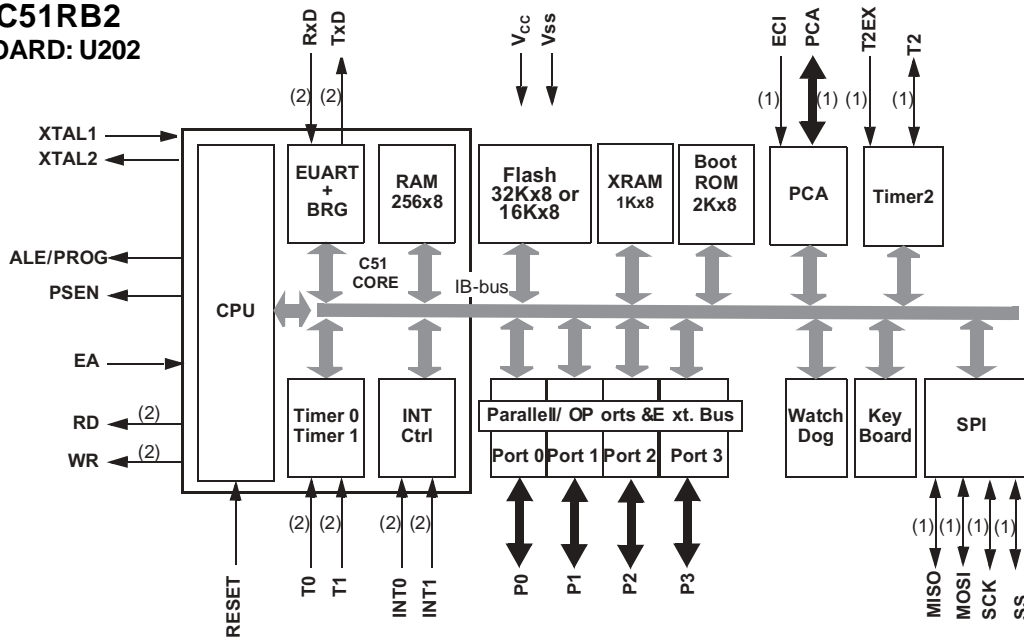
PT6306
KEYBOARD: U203



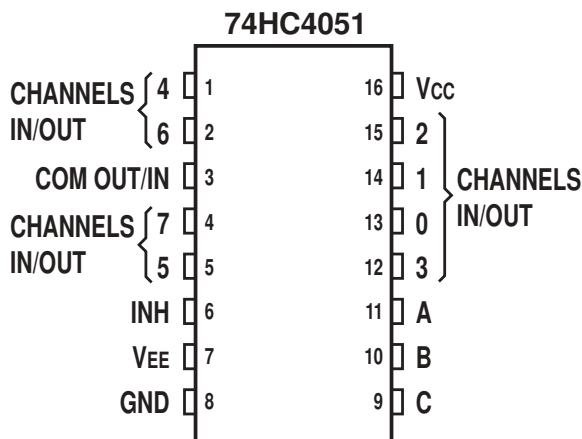
T89C51RD2
KEYBOARD: U201



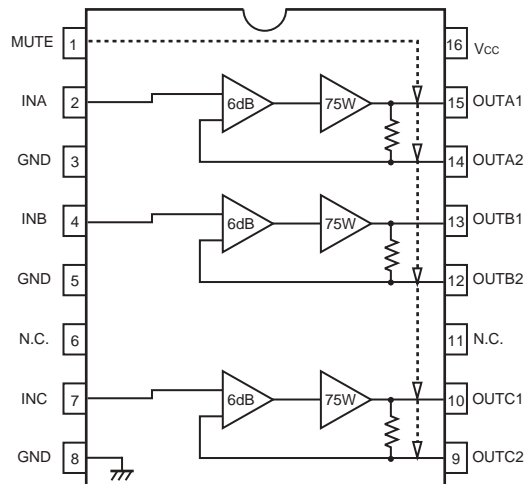
AT89C51RB2
KEYBOARD: U202



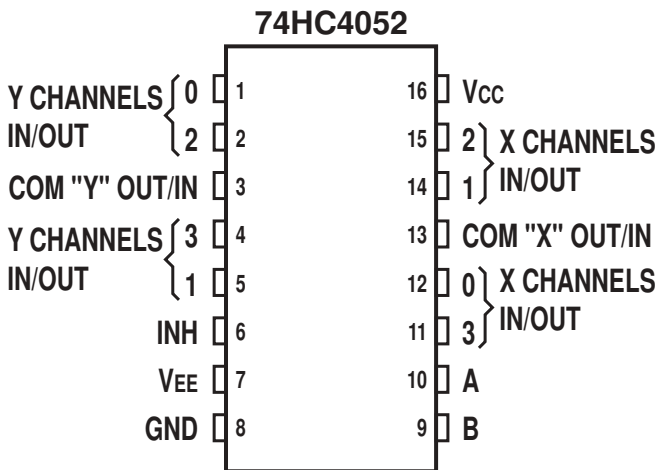
74HC4051
KEYBOARD: U208
S-VIDEO BOARD: U4102, U4103
COMPOSITE VIDEO: U4201



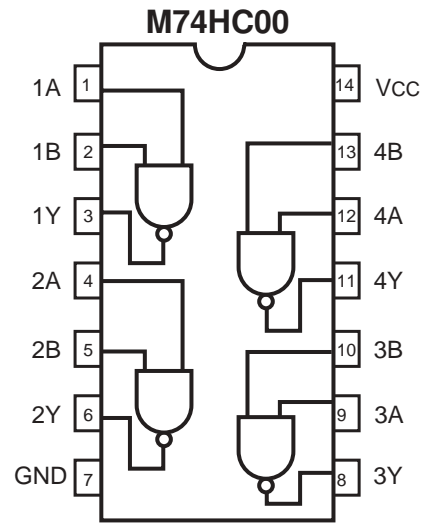
BA7660FS
COMPONENT VIDEO BOARD: U4301



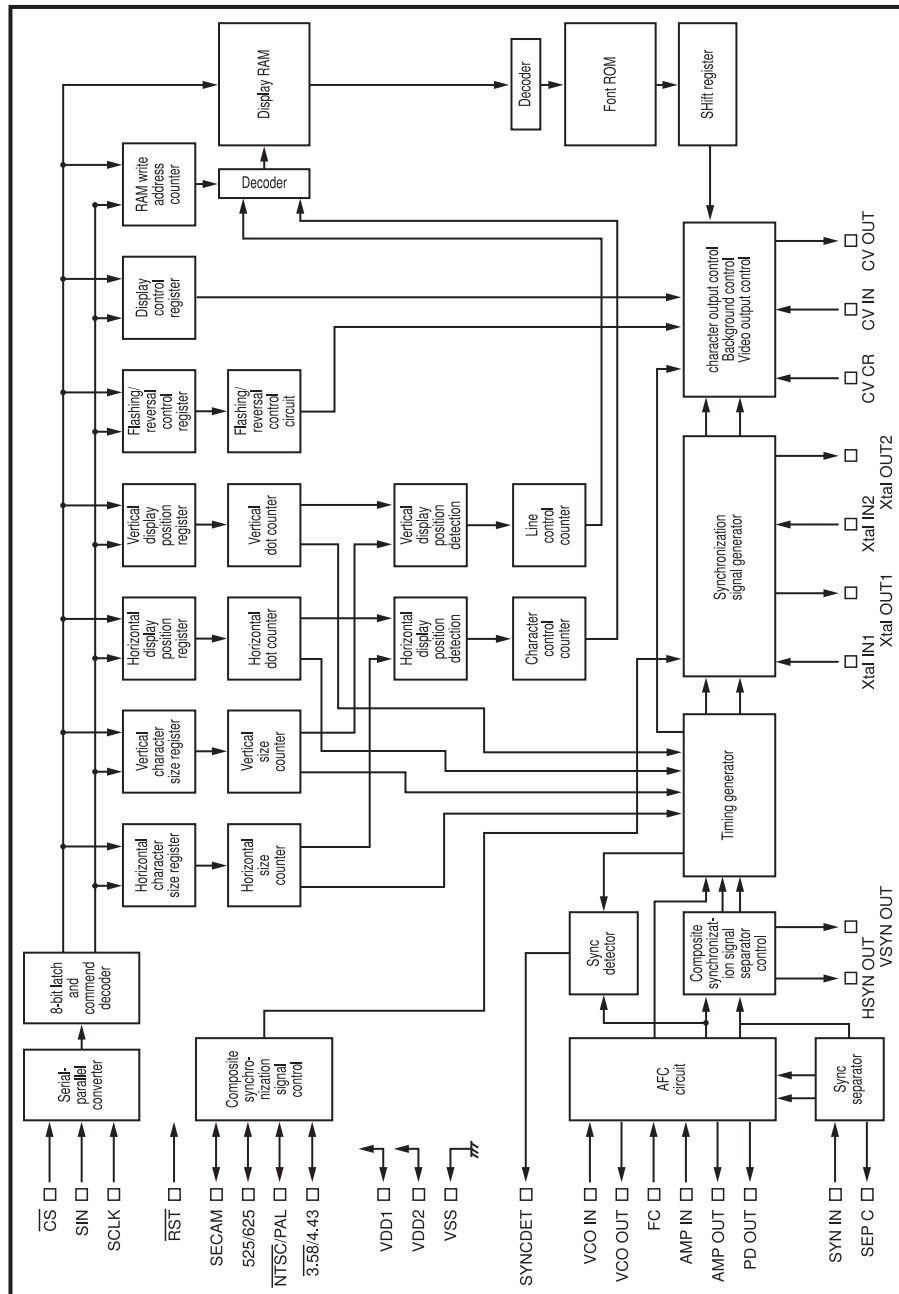
74HC4052
COMPONENT VIDEO BOARD: U4302 & U4303



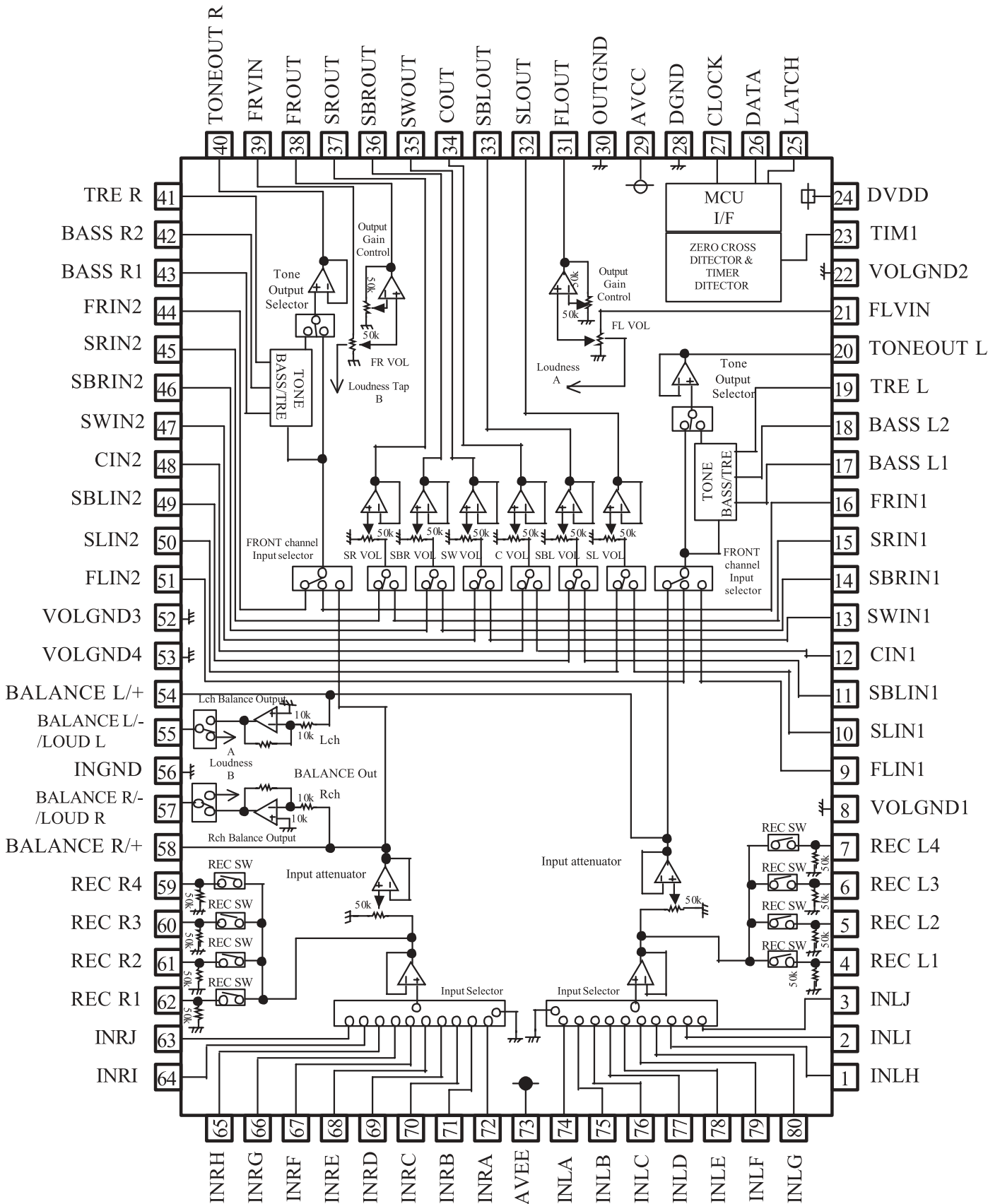
74HC00
COMPONENT VIDEO BOARD: U4304



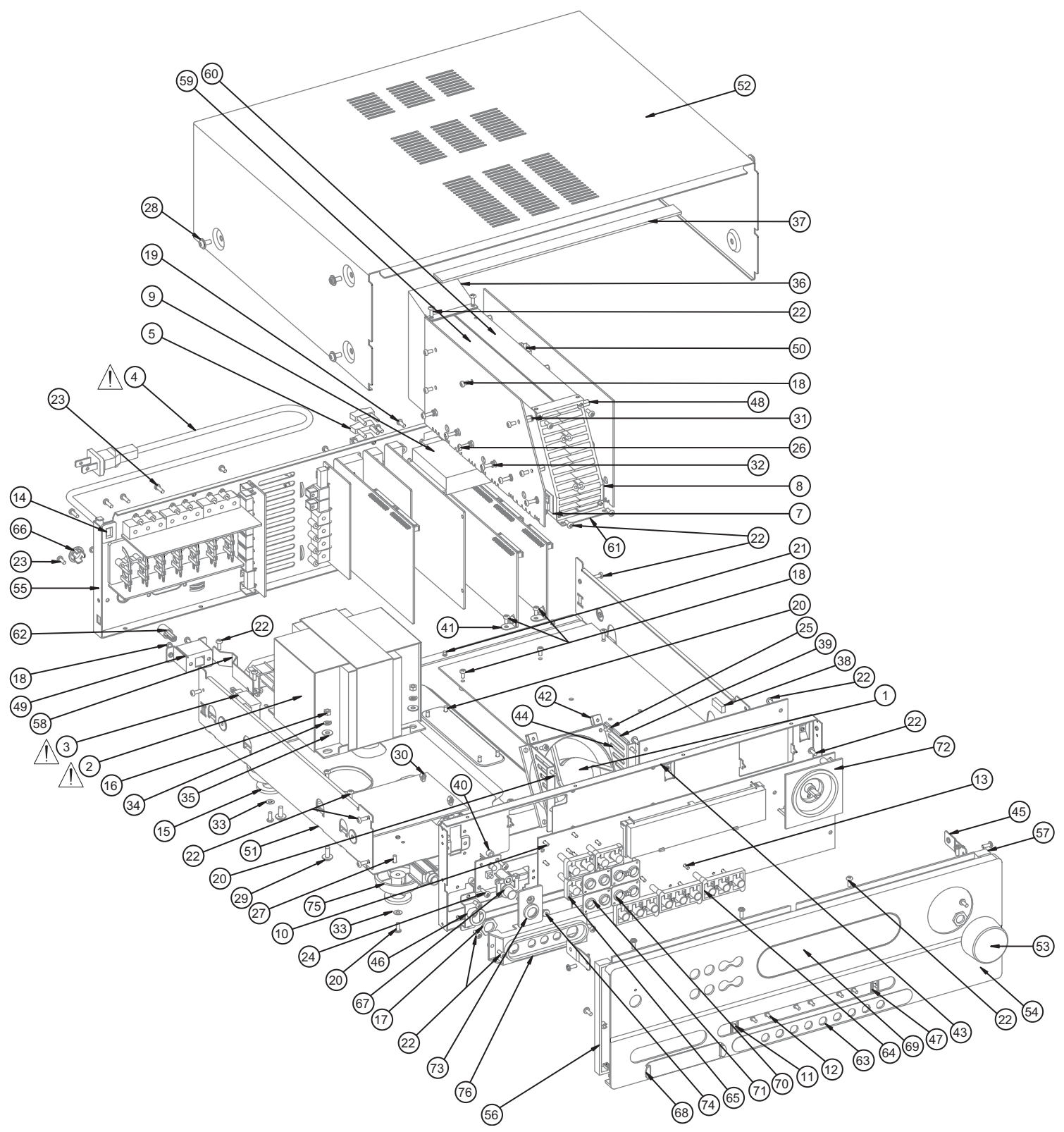
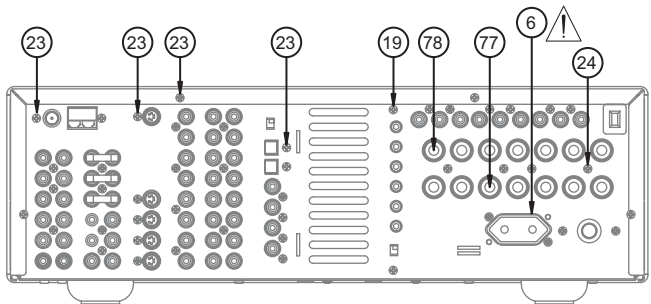
LC74763
S-VIDEO BOARD:
U4101







M61516FP
MULTI-CHANNEL BOARD: U601



EXPLODED VIEW



EXPLODED VIEW PARTS LIST

Item	Database Part Number	Description	Qty
1	176-201122-00	FAN DC 80mm 12V 0.12A CHA8012CB W/CONNECTOR	1
2 	177-021005-02	TRANSFORMER PW EI-96 115V/230V T743 T96-0313002-21	1
3 	182-011118-00	POWER SWITCH TV-8 10A/250VAC UL/CSA/ VDE/F/D/S PS3-22SPA-P7CZ BABY BLUE HN (RoHS)	1
4 	234-206001-07	POWER CORD UL/CSA 125V VDE LF L=6 FT7" LP-5W NISPT-2 AWG18 2C 2T [FOR T743 AH & AT VER.]	1
	234-221311-06	AC CORD 250V EURO-PLUG 2.5A/250V VDE L=2.1M VA-SB-210-N2E -012-02-0010 [FOR T743 CE & CT VER.]	1
5	275-006103-00	JUMPER PLUG PITCH 14mm	3
6 	275-010100-04	AC OUTLET US POLARIZED 3512-MITIBKUC [FOR T743 AH & AT VER.]	1
	275-010000-03	AC OUTLET EURO CEE 7 2.5A/250V A302D0060P [FOR T743 CE & CT VER.]	1
7	282-100150-01	SILICONE RUBBER INSULATOR L18 X W13 X T0.3 W/HOLE	5
8	282-103010-01	INSULATOR TO-3P MICA 1.5KV 22 X 27 X 0.125 SK023A	10
9	560-400000-02	AM/FM TUNER MODULE KST-MB114MA0-23 (ROHS)	1
10	601-020050-02	SELF TAPPING SCREW 2X5 WASHER HEAD TYPE [B] NI PLT (RoHS)	8
11	601-026050-00	SELF TAPPING SCREW DIA2.6 X 5 P/H TYPE [A] NI PLT (RoHS)	2
12	601-026060-00	SELF TAPPING SCREW DIA2.6 X 6 P/H TYPE [A] NI PLT (RoHS)	6
13	601-026080-01	SELF TAPPING SCREW DIA2.6 X 8 B/H TYPE [A] NI PLT (RoHS)	16
14	602-115160-00	BUSHING SQ 11.5 X 16 1.6mm THK. BLK NYLON SB4F-4	1
15	608-140260-01	RUBBER FOOT I/D14 X O/D26 X 3 PORON HH-48C	4
16	610-050034-00	NUT M5X3.4 NI PLT	4
17	610-090022-00	NUT ZINC PLATED M9.0 X 2.2mm 11p	1
18	614-030060-00	MACHINE SCREW M3 X 6 P/H NI PLT (RoHS)	23
19	614-030060-01	MACHINE SCREW M3 X 6 P/H BLK (RoHS)	4
20	614-030060-03	MACHINE SCREW M3.0 X 6.0 B/H TAP TYPE NICKEL PLT (RoHS)	12
21	614-030060-11	TAPTITE SCREW 3 X 6 B/H TYPE [B] BLK (RoHS)	4
22	614-030080-05	SELF TAPPING SCREW DIA3 X 8 B/B ZINC PLATED TAPTITE-TYPE (RoHS)	38
23	614-030080-13	TAPTITE SCREW DIA3 X 8 B/H TYPE [B] BLK PLT (RoHS)	39
24	614-030100-04	TAPTITE SCREW DIA3 X 10 P/H TYPE [B] BLK (RoHS)	6
25	614-030100-06	MACHINE SCREW M3 X 10 B/H BLK (RoHS)	4
26	614-030120-02	MACHINE SCREW M3 X 12 B/H NI-PLT (RoHS)	15
27	614-035080-04	TAPTITE SCREW 3.5 X 8.0 B/H TYPE [B] NI PLT (RoHS)	5
28	614-040080-03	MACHINE SCREW M4 X 8 WASHER HEAD BLK (RoHS)	6

Item	Database Part Number	Description	Qty
29	614-050120-00	HEX HEAD SCREW M5 X 12 NI PLT (RoHS)	4
30	616-050096-00	PCB SUPPORTER KSS (H=9.6mm PCB HOLE 4mm) CS-0610	3
31	617-030004-00	INTERNAL TOOTH WASHER M3 X 0.4mm	4
32	617-032056-00	WASHER SPRING I/D 3.2 X O/D 5.6 0.9mm THK	15
33	617-035008-01	WASHER STEEL I/D 3.5 X O/D 8.0 0.4mm THK. ZINC PLT.	4
34	617-052008-00	WASHER SPRING I/D 5.2 X O/D 8 X 1.2 THK ZINC PLT.	4
35	617-056120-00	WASHER STEEL I/D 5.6 X O/D 12 X 1 THK. NI PLT.	8
36	620-074300-00	FIBRE INSULATOR	1
37	622-009240-00	FOAM 9 X 240 X 1.5mm BLACK (UL GRADE) W/NITTO 500	1
38	622-030025-00	FOAM 30 X 25 X 6mm	1
39	622-074302-00	FIBRE PAPER 60 X 26 X 0.8mm	1
40	659-016303-00	METAL SPACER OD6 X ID3.2 X 4.5mm (RoHS)	2
41	659-057007-01	L BRACKET R.1	3
42	659-074308-00	FAN SCREW BRACKET	4
43	659-075202-05	SUBFASCIA R.5	1
44	659-075203-02	FAN MOUNTING BRACKET R.2	1
45	659-075205-00	SIDE MOUNTING BRACKET	2
46	659-075206-00	PHONE BRACKET	1
47	659-075207-00	DUMMY BRACKET	2
48	659-076200-00	HEX SPACER AF5.5 H8+6 (RoHS)	10
49	659-077309-00	POWER BUTTON BRACKET H=24.8mm	1
50	659-210013-00	CLIP THERMAL SWITCH	1
51	660-075200-05	BOTTOM CHASSIS R.6	1
52	661-074300-01	TOP COVER (PAINTED GREY) R.4 [FOR T743 AH & CE VER.]	1
	661-074300-03	TOP COVER (PAINTED SILVER) R.4 [FOR T743 AT & CT VER.]	1
53	664-075200-00	VOLUME KNOB ASSY (D. GREY) [FOR T743 AH & CE VER.]	1
	664-075200-01	VOLUME KNOB ASSY (TITANIUM) [FOR T743 AT & CT VER.]	1
54	665-074300-02	FASCIA R.1 (GREY) [FOR T743 AH & CE VER.]	1
	665-074300-03	FASCIA R.1 (TITANIUM) [FOR T743 AT & CT VER.]	1
55	666-074300-03	REAR PANEL T743 (AH) R.3 [FOR T743 AH & AT VER.]	1
	666-074301-02	REAR PANEL T743 (C) R.2 [FOR T743 CE & CT VER.]	1
56	667-075202-02	SIDE CAP L R.1 [FOR T743 AH & CE VER.]	1
	667-075202-03	SIDE CAP L T743 (PAINTED TITANIUM) R.1 [FOR T743 AT & CT VER.]	1
57	667-075203-02	SIDE CAP R R.1 [FOR T743 AH & CE VER.]	1
	667-075203-03	SIDE CAP R T743 (PAINTED TITANIUM) R.1 [FOR T743 AT & CT VER.]	1
58	672-074301-00	SHIELD CAP T743 [FOR T743 CE & CT VER.]	1
59	672-075200-02	EXTRUDED HTSK L T752 BLACK ANODISE R.2	1

<u>Item</u>	<u>Database Part Number</u>	<u>Description</u>	<u>Qty</u>
60	672-075201-02	EXTRUDED HTSK R BLACK ANODISE R.2	1
61	672-075204-00	HEATSINK MOUNTING BRACKET	4
62	684-075202-01	POWER BUTTON BLACK (RoHS)	1
63	684-075203-07	INPUT BUTTON LOZENGE (RoHS) [FOR T743 AH & CE VER.]	1
	684-075203-08	INPUT BUTTON LOZENGE (PAINTED TITANIUM) (RoHS) [FOR T743 AT & CT VER.]	1
64	684-075203-11	INPUT BUTTON (PAINTED GREY) R.4 (RoHS) [FOR T743 AH & CE VER.]	3
	684-075203-12	INPUT BUTTON (PAINTED TITANIUM) R.4 (RoHS) [FOR T743 AT & CT VER.]	3
65	684-075204-02	DUO BUTTON (PAINTED GREY) R.1 (RoHS) FOR T743 AH & CE VER.]	4
	684-075204-04	DUO BUTTON (PAINTED TITANIUM) R.1 (RoHS) [FOR T743 AT & CT VER.]	4
66	684-075204-05	POWER BUTTON BEZEL	1
67	684-077202-02	POWER BUTTON TACT ACTIVATE (PAINTED GREY) R.1 (RoHS) [FOR T743 AH & CE VER.]	1
	684-077202-04	POWEER BUTTON TACT ACTIVATE (PAINTED TITANIUM) R.1 (RoHS) [FOR T743 AT & CT VER.]	1
68	688-075200-01	VIDEO COVER (PAINTED GREY) [FOR T743 AH & CE VER.]	1
	688-075200-02	VIDEO COVER (PAINTED TITANIUM) FOR T743 AT & CT VER.]	1
69	691-075200-00	WINDOW LENS (RoHS)	1
70	694-016304-01	LINKED GOGGLE BEZEL (PAINTED GREY) (RoHS) [FOR T743 AH & CE VER.]	2
	694-016304-02	LINKED GOGGLE BEZEL (PAINTED TITANIUM) (RoHS) [FOR T743 AT & CT VER.]	2
71	694-016305-02	DUO GOGGLE BEZEL (PAINTED GREY)R.1 (RoHS) [FOR T743 AH & CE VER.]	2
	694-016305-04	DUO GOGGLE BEZEL (PAINTED TITANIUM) R.1 (RoHS) [FOR T743 AT & CT VER.]	2
72	694-075200-01	VOLUME BEZEL (PAINTED GREY) [FOR T743 AH & CE VER.]	1
	694-075200-02	VOLUME BEZEL (PAINT TITANIUM) [FOR T743 AT & CT VER.]	1
73	694-077204-02	POWER BUTTON BEZEL (PAINTED GREY) R.1 (RoHS) [FOR T743 AH & CE VER.]	1
	694-077204-04	POWER BUTTON BEZEL (PAINTED TITANIUM) R.1 (RoHS) [FOR T743 AT & CT VER.]	1
74	695-077201-00	LED LENS ROUND (RoHS)	1
75	698-016301-00	PLASTIC FOOT DOME SHAPE (RoHS)	4
76	698-075206-00	VIDEO HOUSING	1
77	698-150001-00	BANANA PLUG BLACK PT#10.B [FOR T743 CE & CT VER.]	7
78	698-150001-01	BANANA PLUG RED PT#10.R [FOR T743 CE & CT VER.]	7

NOTE:

THE COMPONENTS IDENTIFIED BY  MARK ARE CRITICAL FOR RISK OF FIRE AND ELECTRICAL SHOCK. REPLACE ONLY WITH PART NUMBER SPECIFIED.


<*AH > : USA, CANADIAN MODEL ONLY.

<*AHT >: USA, CANADIAN WITH TATANIUM COLOUR ONLY, ALL ELECTRICAL ARE SAME AS *AH VERSION.

<*C > : EUROPEAN MODEL ONLY.

<*CT > : EUROPEAN MODEL WITH TATANIUM COLOUR ONLY, ALL ELECTRICAL ARE SAME AS *C VERSION.

ELECTRICAL PARTS LIST

<u>Reference No.</u>	<u>Database Part No.</u>	<u>Description</u>
FRONT & CENTER AMP BOARD		
PCB ASSEMBLY		
Amp Board Assembly	800-A1BD43-20	T743AH (US) Phase II Front and Center
CAPACITORS		
C501,C513,C525	130-477052-03(7)	CAP ELEC GR 4.7uF 50V 20% 85C
C503,C527,C515	110-102677-00(3)/E	CAP MYLAR 1000P 100V 10% ST4.0 (RoHS)
C505,C517,C529	130-472022-01(4)/E	CAP ELEC GR 470uF 16V 20% 85C (RoHS)
C508,C519,C531	110-154677-00(6)/E	CAP MYLAR 150nF 100V 10% ST7.5 (RoHS)
C510,C511,C521,C522,C535,C534	130-102082-02(1)	CAP ELEC GR 100uF 100V 20%
C537-C539	106-104076-01(8)/E	CAP MPF 0.1uF 63V +/-5% MEM (RoHS)
C551-C553	130-101052-04(4)	CAP ELEC SS 10uF 50V 20% 85C
C565,C566	130-471022-03(1)/E	CAP ELEC SS 47uF 16V 20% 85C (RoHS)
C577-C579	130-107052-03(6)/E	CAP ELEC SS 1uF 50V 20% 85C (RoHS)
C580-C582	130-102022-06(8)	CAP ELEC SS 100uF 16V 20% 85C
DIODES		
D501-D503,D505-D507,D509-D511, D521,D524-D528,D531-D536	300-000000-08(2)/E	DIODE SW 4NS DO35 1N4148 (RoHS)
D529,D530	303-322200-01(4)	DIODE ZENER BZX55 22V 1/2W 5% DO-35 BZX-C22
JUMPER BARS		
J1-J18	670-075200-01(7)	JUMPER BAR DIA1.5 X 25 R.1
COILS		
L502,L503,L501	153-100000-01(7)/E	AIR COIL 0.2uH +/-10% 1 X 9 X 13.5 TURNS (RoHS)
THERMISTOR		
M504	384-100057-00(5)	THERMISTOR PTC 100 OHM PTH9MO4BH471TS2F333
THERMAL PROTECTOR		
M505 	181-000000-07(9)	THERMAL CUT OFF SWITCH 90C UP72
RELAY		
M506	182-312405-01(2)	RELAY POWER DC24V 5A/250V 2P1T PCB ME-7C024-2HS
TRANSISTORS		
Q505,Q508,Q517,Q520,Q528,Q532	330-101161-02(9)	XTR PW PNP 1.5A/160V TO-220ML 2SA1606E
Q507,Q519,Q531	330-101161-00(7)	XTR PW NPN 1.5A/160V TO-220ML 2SC4159E
Q509,Q521,Q534	330-115231-01(8)	XTR PW PNP 15A/230V TO-3PB 2SA2031

<u>Reference No.</u>	<u>Database Part No.</u>	<u>Description</u>
Q516,Q518,Q529,Q530,Q504,Q506	330-101121-00(6)	XTR PW NPN 1A/100V TO-126 2SD600KE
Q501-Q503,Q511,Q513-Q515,Q523, Q525-Q527,Q535	339-000041-00(6)	XTR SS NPN HFE160-320 130MHz 2SC2362KF
Q510,Q522,Q533	330-115231-00(7)	XTR PW NPN 15A/230V TO-3PB 2SC5669
Q541	330-103600-04(1)	XTR PW 3A/60V TO-126 2SB772Q
Q542	339-000039-00(9)	XTR SS NPN HFE270-560 180MHz 2SC1740STPS
Q547	339-000038-00(1)	XTR SS NPN HFE20 250MHz DTC123ESATP
Q567,Q561,Q564	339-010041-00(1)	XTR SS PNP HFE 280-560 110MHz 2SA1016KG-AA
RESISTORS		
R523,R574,R547	386-022853-01(5)	RES RN 0.22 OHM 5% 5W SIL 3 PIN COMMAND PIN2 WW
R571,R545,R522	253-010210-00(9)	VR SEMI-FIX RES CF 1K OHM B 30% 6mm VER RM-063-1K
IC		
U501	503-300120-07(2)/E	IC VOLT REG 12V 1A TO-220 NJM7812 ISOWATT (RoHS)
<u>SURROUND AMP BOARD</u>		
PCB ASSEMBLY Board Assembly	800-A2BD43-20	T743AH (US) Phase II Surround Amp
CAPACITORS		
C554	130-221022-03(2)/E	CAP ELEC GS 22uF 16V 20% 85C (RoHS)
C801,C802	130-477052-04(8)/E	CAP ELEC SS 4.7uF 50V 20% 85C (RoHS)
C806,C805	110-102677-00(3)/E	CAP MYLAR 1000P 100V 10% ST4.0 (RoHS)
C809,C810	130-472022-01(4)/E	CAP ELEC GR 470uF 16V 20% 85C (RoHS)
C815,C816	110-154677-00(6)/E	CAP MYLAR 150nF 100V 10% ST7.5 (RoHS)
C819-C822	130-102082-02(1)	CAP ELEC GR 100uF 100V 20% RAD EGRR-107M2A01
C823-C824	106-104076-01(8)/E	CAP MPF 0.1uF 63V +/-5% MEM (RoHS)
C834	100-102577-09(5)	CAP CER CCU05 1nF 50V 10% SL
C835	100-104578-21(6)/E	CAP CER 0.1uF 50V +/-20% Y5V RAD ST5 (RoHS)
C841-C844	100-101677-01(7)	CAP CER 100pF 100V 10% NPO
C845,C846	130-107052-03(6)/E	CAP ELEC SS 1uF 50V 20% 85C (RoHS)
C847,C848	130-102022-06(8)	CAP ELEC SS 100uF 16V 20% 85C
DIDOES		
D522,D523,D801-D806,D809, D821-D824	300-000000-08(2)/E	DIODE SW 4NS DO35 1N4148 (RoHS)

<u>Reference No.</u>	<u>Database Part No.</u>	<u>Description</u>
JUMPER BARS J21-J35	670-075200-01(7)	JUMPER BAR DIA1.5 X 25 R.1
COILS L801,L802	153-100000-01(7)/E	AIR COIL 0.2uH +/-10% 1 X 9 X 13.5 TURNS (RoHS)
RELAYS M501,M502,M801	182-312405-01(2)	RELAY POWER DC24V 5A/250V 2P1T PCB ME-7C024-2HS
TRANSISTORS Q512,Q844,Q841	339-010041-00(1)	XTR SS PNP HFE 280-560 110MHz 2SA1016KG-AA
Q543,Q544,Q829	339-000038-00(1)	XTR SS NPN HFE20 250MHz DTC123ESATP
Q545,Q546,Q801-Q806,Q821,Q822	339-000041-00(6)	XTR SS NPN HFE160-320 130MHz 2SC2362KF
Q807,Q808,Q815,Q816	330-101161-02(9)	XTR PW PNP 1.5A/160V TO-220ML 2SA1606E
Q809-Q812	330-101121-00(6)	XTR PW NPN 1A/100V TO-126 2SD600KE
Q813,Q814	330-101161-00(7)	XTR PW NPN 1.5A/160V TO-220ML 2SC4159E
Q818,Q817	330-115231-00(7)	XTR PW NPN 15A/230V TO-3PB 2SC5669
Q820,Q819	330-115231-01(8)	XTR PW PNP 15A/230V TO-3PB 2SA2031
RESISTORS R836,R835	253-010210-00(9)	VR SEMI-FIX RES CF 1K OHM B 30% 6mm VER RM-063-1K
R843,R844	386-022853-01(5)	RES RN 0.22 OHM 5% 5W SIL 3 PIN COMMAND PIN2 WW
AUDIO BOARD PCB ASSEMBLY	800-AUBD43-20	T743AH (US) Phase II Audio Board Assembly
CAPACITORS C317-C329,C331	130-101022-02(8)/E	CAP ELEC SS 10uF 16V 20% 85C (RoHS)
RCA JACKS M303	265-404042-00(4)	RCA JACK 4 R-R/W-W PCB MOUNT GOLD (W/SHIELD)
M302,M301	265-406042-00(5)	RCA JACK 6 R-R-R/W-W-W PCB MOUNT GOLD (W/COVER)
RESISTORS SMD J3101-J3104	398-000036-20(7)/E	RES. SMD 0 OHM +/-5% 1/10W 0805 (GP)

<u>Reference No.</u>	<u>Database Part No.</u>	<u>Description</u>
<u>COMPONENT VIDEO BOARD</u> <u>PCB ASSEMBLY</u>	800-CVBD43-20	T743AH (US) Phase II Component Video Board Assembly
<u>CAPACITORS</u> C4310-C4312,C4325,C4327-C4328	130-101022-02(8)/E	CAP ELEC SS 10uF 16V 20% 85C (RoHS)
C4316,C4318,C4320	130-103012-03(3)	CAP ELEC GS 1000uF 10V 20% 85C
C4313-,C4315	130-107052-03(6)/E	CAP ELEC SS 1uF 50V 20% 85C (RoHS)
C4301-C4306	130-227052-04(9)/E	CAP ELEC SS 2.2uF 50V 20% 85C (RoHS)
<u>RCA JACKS</u> M431-M434	265-403202-00(1)	RCA 3 G-BL-R PCB MOUNT GOLD (W/COVER)
<u>RESISTORS SMD</u> J4301-J4303	390-000026-11(3)	RES SMD 0 OHM 5% 1/16W 0603
<u>CAPACITORS SMD</u> C4329,C4330,C4332,C4333	120-104528-71(9)	CAP CER SMD 0.1uF 50V 20% Y5V 0603
<u>ICS SMD</u> U4301	505-517660-00(3)	IC VIDEO 3-CHANNEL 75 OHM DRIVER SSOP BA7660FS
U4302,U4303	500-744052-00(5)	IC LOGIC ANALOG MULTIPLEXER/ DEMULTIPLEXER SMD SOIC-16 74HC4052D PHILIPS
U4304	500-080499-00(7)	IC LOGIC HEX INVERTER SMD SOP M74HCU04MIR
U4305	500-010099-02(2)	IC QUAD 2-INPUT NAND GATE SOP M74HC00RM13TR
<u>DIGITAL INPUT BOARD</u> <u>PCB ASSEMBLY</u>	800-DGBD43-20	T743AH (US) Phase II Digital Input Board Assembly
<u>CAPACITORS</u> C1222,C1223 C1213,C1214	130-102022-06(8) 130-227052-04(9)/E	CAP ELEC SS 100uF 16V 20% 85C CAP ELEC SS 2.2uF 50V 20% 85C RAD ESS-R-225M1H-01 (RoHS)
<u>SLIDE SWITCH</u> S1	182-410220-02(3)	SW SLIDE 2P2T RIGHT L=9 JSK022N09-G09
<u>RCA JACKS</u> J1001-J1004	265-401032-00(9)	RCA JACK 1 BLACK PCB MOUNT GOLD (W/SHIELD)

<u>Reference No.</u>	<u>Database Part No.</u>	<u>Description</u>
OPTICAL FIBRE J1005,J1006	320-670138-00(7)	FIBRE OPTIC RECEIVING UNIT GP1FA550RZ
CAPACITORS SMD C1236-C1238	120-104528-71(9)	CAP CER SMD 0.1uF 50V 20% Y5V 0603
ICS SMD U1203	500-012519-00(2)	IC LOGIC 8-CHANNEL MULTIPLEXER- SSOP 74HC251M1R
U1201,U1202	500-080499-00(7)	IC LOGIC HEX INVERTER SMD SOP M74HCU04MIR
DSP BOARD PCB ASSEMBLY	800-DSBD43-20	T743AH (US) Phase II DSP Board Assembly
CAPACITORS C1004,C1002	130-107052-03(6)/E	CAP ELEC SS 1uF 50V 20% 85C (RoHS)
C1005	130-227052-04(9)/E	CAP ELEC SS 2.2uF 50V 20% 85C (RoHS)
C1011	106-104076-01(8)/E	CAP MPF 0.1uF 63V +/-5% MEM (RoHS)
C1012,C1072,C1092,C1137-C1140	130-101022-02(8)/E	CAP ELEC SS 10uF 16V 20% 85C (RoHS)
C1030,C1031,C1051,C1050,C1040, C1041	130-337052-01(4)/E	CAP ELEC SS 3.3uF 50V 20% 85C (RoHS)
C1060,C1073	130-472012-02(7)/E	CAP ELEC GR 470uF 10V 20% 85C (RoHS)
C1096,1098,C1100 C1109-C1113	106-105076-01(4)/E 130-471022-03(1)/E	CAP MPF 1uF 63V +/-5% MEM (RoHS) CAP ELEC SS 47uF 16V 20% 85C (RoHS)
C1117 C1145-C1148	130-102022-06(8) 130-221022-03(2)/E	CAP ELEC SS 100uF 16V 20% 85C CAP ELEC GS 22uF 16V 20% 85C (RoHS)
INDUCTORS L1001-L1007,L1011-L1012	152-010012-02(3)/E	IND CHOKE 10uH 10% EC36 AXIAL EC36-100K (RoHS)
TRANSISTORS Q1001-Q1003	339-000001-01(6)/E	XTR SS NPN HEF 100 200MHz TO-92 C1815Y (RoHS)
ICS U1007	502-027020-00(3)	I.C.EEPROM 256X8 BYTE 70ns PDIL SST27SF020
U1020,U1015	503-303171-00(8)	IC REG 1A TO-220(T) LM317T
CRYSTAL X1001	290-512220-01(4)/E	CRYSTAL CLOCK OSCILLATOR 12.288MHz 50ppm 4PIN HALF-SIZE (RoHS)

<u>Reference No.</u>	<u>Database Part No.</u>	<u>Description</u>
CAPACITORS SMD		
C1103-C1108	120-101527-51(4)	CAP CER SMD 100pF 50V 10% X7R 0603
C1034,C1038,C1044,C1048,C1054, C1058,C1132	120-102527-51(9)	CAP CER SMD 1nF 50V 10% X7R 0603
C1010,C1007,C1160	120-103527-52(6)	CAP CER SMD 10nF 50V 10% X7R 0603
C1001,C1003,C1017-C1019,C1074- C1076,C1095,C1097,C1099,C1123- C1128,C1141-C1142,C1168,C1169	120-104528-71(9)	CAP CER SMD 0.1uF 50V 20% Y5V 0603
C1006,C1121	120-221527-50(5)	CAP CER SMD 220pF 50V 10% X7R 0603
C1130,C1131,C1134-C1136,C1143, C1144	120-222527-51(2)	CAP CER SMD 2.2nF 50V 10% X7R 0603
C1161-C1166	120-331527-50(3)	CAP CER SMD 330pF 50V 10% X7R 0603
C1032,C1036,C1042,C1046,C1052, C1056	120-332527-50(8)	CAP CER SMD 3.3nF 50V 10% X7R 0603
C1167	120-470527-20(8)	CAP CER SMD 47pF 50V 10% NPO 0603
C1114	120-472527-51(1)	CAP CER SMD 4.7nF 50V 10% X7R 0603
C1035,C1039,C1045,C1049,C1055, C1059	139-152527-50(2)/E	CAP CER. SMD 1.5nF 50V +/-10% X7R 0603 (GP)
RESISTORS SMD		
R1001-R1002,R1079,R1083,R1097, R1098,R1101-R1102,R1231-R1242	390-470124-10(5)/E	RES SMD 4.7K OHM +/-1% 1/16W 0603 (RoHS)
R1003-R1006,R1081	390-330126-11(3)	RES SMD 3.3K OHM 5% 1/16W 0603
R1007	390-330926-11(6)	RES SMD 33 OHM 5% 1/16W 0603
R1009	398-200326-10(6)/E	RES. SMD 200K OHM +/-5% 1/16W 0603 (GP)
R1010,J1001,R1251,R1253,R1254	390-000026-11(3)	RES SMD 0 OHM 5% 1/16W 0603
R1013	390-120126-12(3)	RES SMD 1.2K OHM 5% 1/16W 0603
R1021,R1114,R1131-R1138,R1020, R1008,R1230	390-100226-11(9)	RES SMD 10K OHM 5% 1/16W 0603
R1036,R1040,R1050,R1054,R1064, R1068,R1095,R1096,R1117-R1120	390-100224-11(2)	RES SMD 10K OHM 1% 1/16W 0603
R1072,R1065,R1058,R1051,R1044, R1037,R1061,R1077,R1075,R1070, R1063,R1056,R1055,R1049,R1047, R1042,R1041,R1069,R1078,R1080, R1084	390-220124-10(6)	RES SMD 2.2K OHM 1% 1/16W 0603
R1082	390-180126-11(8)	RES SMD 1.8K OHM 5% 1/16W 0603
R1090,R1091	390-270126-12(8)	RES SMD 2.7K OHM 5% 1/16W 0603
R1099,R1100	390-499124-10(4)/E	RES SMD 4.99K OHM +/-1% 1/16W 0603 (RoHS)
R1115	390-100026-11(6)	RES SMD 100 OHM 5% 1/16W 0603
R1121-R1124	390-150026-11(8)	RES SMD 150 OHM 5% 1/16W 0603
R1143-R1148	398-620026-10(8)/E	RES SMD 620 OHM +/-5% 1/16W 0603 (GP)
R1151	390-100126-11(3)	RES SMD 1K OHM 5% 1/16W 0603
ICS SMD		
U1001	509-949326-00(2)	IC DD DTS & MPEG DECODER PLCC CS49326

Reference No.	Database Part No.	Description
U1002-U1003,U1014	500-032459-00(5)	IC LOGIC OCTAL BIDIRECTIONAL TRANSCEIVER SMD 74LVC245ATTR
U1004	500-011579-01(4)	IC LOGIC QUAD 2-INPUT SELECTOR SOIC 74HC157MIR
U1005	509-984150-00(8)	IC 96KHz DIGITAL AUDIO INTERFACE RECEIVER SMD CS8415A-CS
U1008-U1009	500-065749-00(7)	IC LOGIC OCTAL D-FLIP FLOPS WITH 3-STAGE OUTPUT SMD 74LVQ574 M
U1011-U1013,U1023,U1025	509-945600-00(1)/E	IC NJM4560M SO 8 PIN DUAL OP AMP SMD NJM4560M (RoHS)
U1021	509-942280-00(9)	IC 24BIT 96KHz SURROUND SOUND CODE SSOP CS4228AKS
KEY BOARD PCB ASSEMBLY	800-KEBD43-20	T743AH (US) Phase II Keyboard Board Assembly
CAPACITORS		
C208-C211	130-471022-03(1)/E	CAP ELEC SS 47uF 16V 20% 85C (RoHS)
C212	130-103012-04(4)/E	CAP ELEC GR 1000uF 10V 20% 85C (RoHS)
C214	130-108052-01(9)/E	CAP ELEC. SS 0.1uF 50V 20% 85C (RoHS)
C255,C258	130-107052-03(6)/E	CAP ELEC SS 1uF 50V 20% 85C (RoHS)
IR		
D201	320-094138-00(8)	IR RX 940nm 37.9KHz SHIELD ST FM-7138TE5
DIODES		
D212,D214-D218	300-000000-08(2)/E	DIODE SW 4NS DO35 1N4148 (RoHS)
D220	303-385190-00(9)/E	DIODE ZENER BZX79 5.1V 1/2W 5% DO35 BZX79-C 5.1V (RoHS)
ENCODER		
M201	254-600121-01(8)	ENCODER ROTATRY STD L=20MM VERT,W/O CLICK EC16B243040F
TRANSISTORS		
Q201	339-010010-01(9)/E	XTR SS PNP HFE 100 200MHz TO-92 A1015Y (RoHS)
Q203-Q206	339-000001-01(6)/E	XTR SS NPN HEF 100 200MHz TO-92 C1815Y (RoHS)
TACT SWITCHES		
S201-S216,S218	182-100111-08(9)	SW TACT NO 1P1T 50mA/12V VER H=7mm TM114BFJ
ICS		
U210	502-230022-08(2)/E	IC EEPROM 2K BYTE 250ns PDIL ENDURANCE : 1 MILLION CYCLES AT 24C16 (RoHS)






Reference No.	Database Part No.	Description
VFD VD201	354-434010-00(4)/E	VFD 16-BT-132-GNK 16 GRIDX36 ANODE 2 COLORS (GP)
CRYSTALS X201,X202	290-520020-02(5)/E	CRYSTAL 20.000MHz 30ppm HC-49S (RoHS)
CAPACITORS SMD C201,C202,C213,C215-C220,C222,C229,C256	120-104528-71(9)	CAP CER SMD 0.1uF 50V 20% Y5V 0603
C241,C242	120-102527-51(9)	CAP CER SMD 1nF 50V 10% X7R 0603
C251-C254	120-330527-50(7)	CAP CER SMD 33pF 50V 10% X7R 0603
RESISTORS SMD R201-R207,R213,R219,R223-R224,R226-R227,R229,R231-R232,R254	390-100226-11(9)	RES SMD 10K OHM 5% 1/16W 0603
R208	398-000036-20(7)/E	RES. SMD 0 OHM +/-5% 1/10W 0805 (GP)
R216	390-100144-50(9)/E	RES SMD 1K OHM 1% 1/4W 1206 (RoHS)
R217,R218	390-470026-11(7)	RES SMD 470 OHM 5% 1/16W 0603
R220,R256-R259,R261,R263-R271,R272	390-470126-11(4)	RES SMD 4.7K OHM 5% 1/16W 0603
R221,R230	390-220126-11(5)	RES SMD 2.2K OHM 5% 1/16W 0603
R222	390-068024-70(5)/E	RES SMD 68 OHM +/-1% 1/16W 0603 (RoHS)
R225	390-560024-11(8)/E	RES SMD 560 OHM +/-1% 1/16W 0603 (RoHS)
R233	390-470226-11(1)	RES SMD 47K OHM 5% 1/16W 0603
R234	390-100126-11(3)	RES SMD 1K OHM 5% 1/16W 0603
R238	390-120226-11(8)	RES SMD 12K OHM 5% 1/16W 0603 029634532B
R241-R242	390-100026-11(6)	RES SMD 100 OHM 5% 1/16W 0603
R251,R252	398-100526-10(6)/E	RES. SMD 10M OHM +/-5% 1/16W 0603 (GP)
R255	390-560226-11(9)	RES SMD 56K OHM 5% 1/16W 0603
R260,R262	390-680026-11(8)	RES SMD 680 OHM 5% 1/16W 0603
ICS SMD U201	501-108640-01(7)	IC MCU 8 BIT 64KROM 1024 BYTE SCRAM PLCC T89C51RD2-SL
U202	501-008951-00(9)/E	IC MCU 8 BIT 16KROM 1024 BYTE XRAM PLCC AT89C51RB2-SL (RoHS)
U203	509-963060-00(5)	IC VFD DRIVER SMD QFP PT6306
U204-U207	500-054094-01(6)	IC LOGIC 8-STAGE SHIFT-AND-STORE BUS REGISTER SMD SO16 HEF4094BT
U208	500-014051-00(9)	IC LOGIC SINGLE 8 CH ANALOG MUX/ DEMUX SMD M74HC4051MIR
U209	500-032459-03(8)	IC LOGIC OCTAL BUS TRANSCEIVER (3-STATE) 74VHC245M
U214	509-981000-00(6)	IC MICROCONTROLLER RESET MONITORS TCM810LENB713

Reference No.	Database Part No.	Description
LED BOARD PCB ASSEMBLY	800-LEBD43-20	T743AH (US) Phase II LED Board Assembly
LEDS D211	314-001258-05(7)	LED RED-GRN CIRCULAR 5X8.7MM 5RG9SW-2-A COMMON ANODE
TACT SWITCH S220	182-100111-08(9)	SW TACT NO 1P1T 50mA/12V VER H=7mm TM114BFJ
MAIN BOARD PCB ASSEMBLY	800-MABD43-20	T743AH (US) Phase II Main Board Assembly
CAPACITORS C701,C724 C702,C705,C706,C716,C725	130-473032-06(3) 130-103032-80(5)/E	CAP ELEC EGH 4700uF 25V 20% 105C CAP ELEC KM 1000uF 25V 20% 105C (RoHS)
C704 C707	130-473047-00(8)/E 130-223042-04(9)/E	CAP ELEC 4700uF 35V 105C (RoHS) CAP ELEC KM 2200uF 35V 20% 105C VER (RoHS)
C710	130-471052-70(1)/E	CAP ELEC SS 47uF 50V 20% 85C (RoHS)
C711-C713,C741	130-103052-03(4)/E	CAP ELEC KM 1000uF 50V 20% 105C (RoHS)
C715 C719	106-105076-01(4)/E 130-101022-10(6)/E	CAP MPF 1uF 63V +/-5% MEM (RoHS) CAP ELEC KM 100uF 16V 20% 105C (RoHS)
C734,C735	130-101022-02(8)/E	CAP ELEC SS 10uF 16V 20% 85C (RoHS)
DIODES D701-D710	301-010071-00(3)/E	DIODE RECT 1A/1000V DO41 WIN4007 REEL (RoHS)
D711	303-320310-02(8)	DIODE ZENER BZX55 30V 1/2W 5% DO35 BZX55-C30V
D715	305-500470-00(2)	DIODE BRI 4A/70V RS402L
JUMPER BARS JP701-JP702	670-075200-01(7)	JUMPER BAR DIA1.5 X 25 R.1
TRANSISTORS Q701	330-101121-00(6)	XTR PW NPN 1A/100V TO-126 2SD600KE
REGULATORS U701,U704,U705	503-300050-14(5)/E	IC VOLT REG 5V 1A TO-220 NJM7805FA ISOWATT (RoHS)
U702,U707	503-300120-07(2)/E	IC VOLT REG 12V 1A TO-220 NJM7812 ISOWATT (RoHS)
U703	503-310120-01(9)/E	IC VOLT REG TO-220F NJM7912 (RoHS)

Reference No.	Database Part No.	Description
MULTI-CHANNEL BOARD PCB ASSEMBLY	800-MUBD43-20	T743AH (US) Phase II Multi-Channel Board Assembly
CAPACITORS		
C607	130-221022-03(2)/E	CAP ELEC GS 22uF 16V 20% 85C (RoHS)
C627,C628,C633,C634	130-102022-06(8)	CAP ELEC SS 100uF 16V 20% 85C
C677,C678,C689,C690	130-471022-03(1)/E	CAP ELEC SS 47uF 16V 20% 85C (RoHS)
C755,C775	130-227052-09(5)	CAP ELEC 2.2uF 50V 20% NON-POLAR 99NPO2020
C757	106-282076-00(5)	CAP MpF 0.082uF 63V 5% DMF 5 SERIES
C759,C760,C769,C770,C777,C778,C779	106-104076-01(8)/E	CAP MPF 0.1uF 63V +/-5% MEM (RoHS)
C763,C764	106-247076-01(6)	CAP MpF 0.047uF 63V 5% DMF 5 SERIES
C767,C768	106-233076-00(8)	CAP MpF 0.0033uF 63V 5% DMF 5 SERIES
C780-C793	130-101022-02(8)/E	CAP ELEC SS 10uF 16V 20% 85C (RoHS)
DIODES		
D602,D604	303-327590-00(1)	DIODE ZENER BZX55 7.5V 1/2W 5% DO35 BZX55-C7.5V
INDUCTORS		
L601,L602	152-010110-03(3)/E	IND CHOKE 100uH +/-10% AXIAL EC24-101K (RoHS)
RCA JACKS		
M601	265-404042-00(4)	RCA JACK 4 R-R/W-W PCB MOUNT GOLD (W/SHIELD)
M602	265-402032-00(5)	RCA JACK 2 B/B PCB MOUNT GOLD (W/SHIELD)
M603	265-406042-00(5)	RCA JACK 6 R-R-R/W-W-W PCB MOUNT GOLD (W/COVER)
TRANSISTORS		
Q601	339-000014-00(9)/E	XTR SS NPN HFE 120-200 190MHz TO-92 8050C (RoHS)
Q602	339-010022-00(4)/E	XTR SS PNP HFE 120-200 200MHz TO-92 8550C (RoHS)
RESISTORS		
R609,R610,R615	381-330221-00(5)/E	RES MF 33K OHM 1% 1/6W (GP) (52MM)
R611,R612,R616	381-200221-00(8)/E	RES MF 20K OHM 1% 1/6W (GP) (52MM)
R613,R614	381-750221-00(7)/E	RES MF 75K OHM 1% 1/6W (GP) (52MM)
ICS SMD		
U601	507-766151-00(8)	IC SOUND PROCESSOR 7.1CH VOL+TONE SMD QFP M61516FP

Reference No.	Database Part No.	Description
U604,U605	509-945600-00(1)/E	IC NJM4560M SO 8 PIN DUAL OP AMP SMD NJM4560M (RoHS)
MULTI-CHANNEL BOARD PCB ASSEMBLY	800-POBD43-20	T743AH (US) Phase II Pre-Out Board Assembly
CAPACITORS		
C624-C625,C640,C645,C650,C655, C670,C675,C693-C698	130-221022-03(2)/E	CAP ELEC GS 22uF 16V 20% 85C (RoHS)
C626	133-222022-70(1)/E	CAP ELEC SS 220uF 16V 20% 85C (RoHS)
C637,642,C667,C692,C691,C679,C680	130-471022-03(1)/E	CAP ELEC SS 47uF 16V 20% 85C (RoHS)
C647,C652,C672	130-101022-02(8)/E	CAP ELEC SS 10uF 16V 20% 85C (RoHS)
C687,C684,C685,C688	130-332022-02(4)/E	CAP ELEC GR 330uF 16V 20% 85C RAD (RoHS)
INDUCTORS		
L602-L606,L609,L610	152-010012-02(3)/E	IND CHOKE 10uH 10% EC36 AXIAL EC36-100K (RoHS)
RCA JACKS		
M608,M612	265-402030-00(7)	RCA JACK 2 B/B PCB MOUNT GOLD RS-213G-02(W)
M609	265-402040-00(5)	RCA JACK 2 R-W PCB MOUNT GOLD (W/O COVER)
M607	265-404050-00(4)	RCA JACK 4 R-W/R-W PCB MOUNT GOLD
DIODES		
D601,D605,D606,D608,D609	300-000000-08(2)/E	DIODE SW 4NS DO35 1N4148 (RoHS)
D611-D614	301-010071-00(3)/E	DIODE RECT 1A/1000V DO41 WIN4007 (RoHS)
TRANSISTORS		
Q608-Q611,Q614-Q615,Q617,Q631- Q635	339-000035-00(4)	XTR SS NPN HFE200-700 30MHz SPT RN1241A
Q616,Q618,Q622,Q624,Q638	339-010039-00(4)	XTR SS PNP HFE 30 250MHz SPT DTA114ESATP
Q636,Q637	339-000036-00(3)	XTR SS NPN HFE200-700 30MHz 2SC2878A
Q639	339-000040-00(7)	XTR SS NPN HFE30 250MHz SPT DTC114ESATP
RESISTORS		
R636,R643,R687	381-100121-10(8)	RES MF 1K OHM 1% 1/6W
R648,R655,R679	381-150121-31(2)	RES MF 1.5K OHM 1% 1/8W
R667-R669,R684,R690,R678,R642, R654,R647,R635	381-330131-10(6)	RES MF 3.3K OHM 1% 1/6W
R671,R686,R685	381-270121-10(3)	RES MF 2.7K OHM 1% 1/6W
R672	381-330021-01(3)	RES MF 330 OHM 1% 1/6W

Reference No.	Database Part No.	Description
CAPACITORS SMD C747-C758	120-104528-71(9)	CAP CER SMD 0.1uF 50V 20% Y5V 0603
DIODES SMD D615-D618	303-391200-04(3)	DIODE ZENER SMD 12V 500mW 5% SOD123 MMSZ5242BT1
ICS SMD U609,U610,U612,U614,U615	509-945600-00(1)/E	IC NJM4560M SO 8 PIN DUAL OP AMP SMD NJM4560M (RoHS)
POWER SUPPLY BOARD PCB ASSEMBLY*AH,AHT	800-PSUD43-20	T743AH (US) Phase II Power Supply Board Assembly
PCB ASSEMBLY*C,CT	800-PSED43-20	T743AH (CE) Phase II Power Supply Board Assembly
CAPACITORS C752	130-477052-02(6)	CAP ELEC GS 4.7uF 50V 20% 85C RAD ST2.5 GS4R7M050C110CXC
C753	106-102076-00(6)	CAP MpF 0.001uF 63V 5% DMF 5 SERIES
C754,C763	100-103079-35(1)	CAP CER ECKDRS 10nF 400VAC +80/-20% V RAD ST10 ECKDRS103ZV
C755	130-473032-02(8)/E	CAP ELEC GR 4700uF 25V 20% 85C RAD EGR478M1EK30RR (RoHS)
DIODES D751-D756	301-010071-00(3)/E	DIODE RECT 1A/1000V DO41 WIN4007 REEL (RoHS)
FUSES F751*AH,AHT	370-010100-00(2)/E	FUSE TIME-LAG 7A 250V 5 X 20mm SIC UL/CSA (RoHS)
F752*AH,AHT	370-011100-05(3)/E	FUSE 1.6A 250V TIME LAG LBC 5x20mm TSD UL/CSA/VDE/SEMKO (RoHS)
F751*C,CT	370-014100-01(5)/E	FUSE TIME-LAG 4A/250V 5 X 20mm VDE/UL TSD (RoHS)
F752*C,CT	370-015100-02(2)/E	FUSE 800mA 250V TIME LAG LBC 5x20mm TSD UL/CSA/VDE/SEMKO (RoHS)
RELAY M751B	182-311221-00(2)	RELAY POWER DC12V 20A 220VAC 1P1T PCB ME-14FW-012-HS UL/CUL
TRANSISTORS Q751	339-000001-01(6)/E	XTR SS NPN HEF 100 200MHz TO-92 C1815Y (RoHS)
RESISTOTRS R751	382-022834-60(8)	RES FUSIBLE 0.22 OHM 10% 1/2W AXIAL

<u>Reference No.</u>	<u>Database Part No.</u>	<u>Description</u>
R754*AH,AHT 	387-390453-61(1)	RES CONDUCTIVE PATH 3.9M OHM 1/2W 5% 250V
STANDBY TRANSFORMER		
T751 	177-004005-01(2)/E	TRANSFORMER PW EI-35 100V/220V T05382B ISS 2 (RoHS)
POWER SWITCH		
SW1 	182-011118-00(9)/E	POWER SWITCH TV-8 10A/250VAC UL/CSA/VDE/F/D/S PS3-22SPA-P7CZ BABY BLUE HN (RoHS)
JUMPERS		
JP1,JP2*AH,AHT	232-005160-00(1)/E	TINNED WIRE DIA 0.5MM L=16.0MM (GP)
JP6*AH,AHT	232-005145-00(9)/E	TINNED WIRE DIA 0.5MM L=14.5MM (GP)
JP3*C,CT	232-005080-00(9)/E	TINNED WIRE DIA 0.5MM L=8.0MM (GP)
JP7*C,CT	232-005065-00(8)/E	TINNED WIRE DIA 0.5MM L=6.5MM (GP)
SECONDARY BOARD		
PCB ASSEMBLY Assembly	800-SEBD43-20	T743AH (US) Phase II Secondary Board
CAPACITORS		
C781-C785,C787-C788	106-104076-01(8)/E	CAP MPF 0.1uF 63V +/-5% MEM (RoHS)
C790,C791	130-823062-00(1)	CAP ELEC LP 8200uF 63V 20% 85C RAD
DIODE		
D781	305-512540-04(5)/E	BRIDGE RECTIFIER 25A 400V BR254W BR-25W (RoHS)
FUSES		
F781,F782 	370-016100-04(9)	FUSE TIME-LAG 10A / 250VAC 5 X 20mm UL/VDE 5D
JUMPER BARS		
J3,J4	670-075200-01(7)	JUMPER BAR DIA1.5 X 25 R.1
RESISTORS		
R781-R785 	383-022823-60(4)	RES MO 0.22 OHM 5% 1/2W
SPEAKER BOARD		
PCB ASSEMBLY	800-SPBD43-20	T743AH (US) Phase II Speaker Board Assembly
CAPACITORS		
C563,C825,C562,C561,C826,C568, C569	100-332577-00(5)	CAP CER HIK 3.3nF 50V 10% B RAD ST7.5 HIKB332K507

Reference No.	Database Part No.	Description
SPEAKER TERMINAL		
M8101	262-300002-02(3)	SPEAKER TERMINAL 6P BINDING R/B W/O PLUG KF-J5000-06
M5101,M5102	262-300002-04(5)	SPEAKER TERMINAL 4P BINDING R/B W/O PLUG KF-J5000-04
S-VIDEO BOARD		
PCB ASSEMBLY		
	800-SVBD43-20	T743AH (US) Phase II S-Video Board Assembly
CAPACITORS		
C4101-C4107,C4115,C4158	130-102022-06(8)	CAP ELEC SS 100uF 16V 20% 85C
C4108,C4156,C4163,C4164,C4168,C4169	130-472012-02(7)/E	CAP ELEC GR 470uF 10V 20% 85C (RoHS)
C4116	130-103012-03(3)	CAP ELEC GS 1000uF 10V 20% 85C
C4126,C4127	121-330577-01(9)/E	CAP CER 33PF 50V +/-10% NPO (GP)
C4138	118-200078-00(2)	CAP TRIMMER 20pF 20% SEALED HORI. PITCH=5mm
C4141,C4133,C4137	130-107052-03(6)/E	CAP ELEC SS 1uF 50V 20% 85C (RoHS)
C4144	130-108052-01(9)/E	CAP ELEC. SS 0.1uF 50V 20% 85C (RoHS)
C4145	130-221022-03(2)/E	CAP ELEC GS 22uF 16V 20% 85C (RoHS)
C4146,C4136	106-247076-04(9)/E	CAP MpF 0.47uF 63V +/-5% DMF 5 SERIES (RoHS)
C4149,C4134	130-102012-03(7)	CAP ELEC SS 100uF 10V 20% 85C
C4150	130-471022-03(1)/E	CAP ELEC SS 47uF 16V 20% 85C (RoHS)
C4151	130-101022-02(8)/E	CAP ELEC SS 10uF 16V 20% 85C (RoHS)
C4153,C4157	130-227052-04(9)/E	CAP ELEC SS 2.2uF 50V 20% 85C (RoHS)
C4162,C4167,C4171,C4173	130-222012-03(9)/E	CAP ELEC SS 220uF 10V 20% 85C (RoHS)
C4175	106-247076-01(6)	CAP MpF 0.047uF 63V 5% DMF 5 SERIES
DIODES		
D4101-D4109	300-000000-08(2)/E	DIODE SW 4NS DO35 1N4148 (RoHS)
INDUCTORS		
L4101	152-056910-03(7)/E	IND CHOKE 5.6uH +/-10% AXIAL EC24-5R6K (RoHS)
L4102	152-022010-02(1)	IND CHOKE 22uH 10% AXIAL EC24-220K
DIN JACKA		
M411-M413,M414,M418	266-411030-01(9)	DIN JACK 1 BLACK PCB MOUNT MD-113
TRANSISTORS		
Q4101-Q4104	339-010022-00(4)/E	XTR SS PNP HFE 120-200 200MHZ TO-92 8550C (RoHS)

Reference No.	Database Part No.	Description
Q4105,Q4106,Q4133,Q4128,Q4130, Q4113,Q4114,Q4121,Q4124,Q4125	339-000036-00(3)	XTR SS NPN HFE200-700 30MHz 2SC2878A
Q4107,Q4108,Q4116-Q4119,Q4134, Q4135	339-010037-00(6)	XTR SS PNP HFE 270-560 140MHz 2SA933ASTPS
Q4109,Q4120,Q4123	339-000038-00(1)	XTR SS NPN HFE20 250MHz DTC123ESATP
Q4115,Q4126,Q4127	339-000039-00(9)	XTR SS NPN HFE270-560 180MHz 2SC1740STPS
Q4122,Q4131	339-000012-00(2)	XTR SS NPN HFE 68 30MHz SPT DTC144ESATP
Q4132	339-000001-01(6)/E	XTR SS NPN HEF 100 200MHz TO-92 C1815Y (RoHS)
IC		
U4101	505-557476-00(8)	IC OSD DIP30SD LC74763-9012
CRYSTALS		
X4101	290-514320-01(2)/E	CRYSTAL 14.318MHz 30ppm 32pF HC-49S (RoHS)
X4102	290-517720-01(5)/E	CRYSTAL 17.73447MHz 20ppm 30pF HC-49S (RoHS)
ICS SMD		
U4102,U4103	500-014051-00(9)	IC LOGIC SINGLE 8 CH ANALOG MUX/DEMUX SMD M74HC4051MIR
TRIGGER BOARD PCB ASSEMBLY		
	800-TRBD43-20	T743AH (US) Phase II Trigger Board Assembly
SLIDE SWITCH		
S351	182-410220-02(3)	SW SLIDE 2P2T RIGHT L=9 JSK022N09-G09
PHONE JACKS		
M351-M355,M357	270-431030-01(6)	PHONE JACK 1 BLACK PCB MOUNT 3.5mm RIGHT
DIODES		
D354-D360	301-010071-00(3)/E	DIODE RECT 1A/1000V DO41 WIN4007 REEL (RoHS)
D351-D353	303-385190-00(9)/E	DIODE ZENER BZX79 5.1V 1/2W 5% DO35 BZX79-C 5.1V (RoHS)
TRANSISTORS		
Q351	339-000038-00(1)	XTR SS NPN HFE20 250MHz DTC123ESATP
RESISTORS		
R358,R359	383-150033-80(4)	RES MO 150 OHM 5% 2W AXIAL
REGULATORS		
U353	503-000317-00(2)	I.C. REG 0.1A TO-92 AZ317LZ
U352	503-300120-03(7)	IC VOLT REG 12V 0.1A TO-92 LM78L12

Reference No.	Database Part No.	Description
VIDEO -6 BOARD PCB ASSEMBLY	800-V6BD43-20	T743AH (US) Phase II Video-6 Board Assembly
CAPACITORS C4401-C4403	130-102022-06(8)	CAP ELEC SS 100uF 16V 20% 85C
JACKS M4401	265-401000-01(9)	RCA JACK 1 YELLOW PCB MOUNT GOLD (W/O COVER)
M4404	265-401010-01(7)	RCA JACK 1 RED PCB MOUNT GOLD (W/O COVER)
M4403	265-401020-01(5)	RCA JACK 1 WHITE PCB MOUNT GOLD
M4402	266-411030-01(9)	DIN JACK 1 BLACK PCB MOUNT MD-113
J4401	270-451030-14(8)	PHONE JACK D6.3 1 PCB MOUNT GOLD KF-C9002-03
COMPOSITE VIDEO BOARD PCB ASSEMBLY	800-VEBD43-20	T743AH (US) Phase II Composite Video Board Assembly
CAPACITORS C4201-C4203,C4205,C4207 C4204,C4206,C4222,C4223	130-102022-06(8) 130-472012-02(7)/E	CAP ELEC SS 100uF 16V 20% 85C CAP ELEC GR 470uF 10V 20% 85C (RoHS)
C4208 C4221,C4224	130-103012-03(3) 130-222012-03(9)/E	CAP ELEC GS 1000uF 10V 20% 85C CAP ELEC SS 220uF 10V 20% 85C (RoHS)
DIODES D4201,D4202	300-000000-08(2)/E	DIODE SW 4NS DO35 1N4148 (RoHS)
RCA JACKS M421,M422	265-404002-00(3)	RCA JACK 4 Y-Y/Y-Y PCB MOUNT GOLD (W/SHIELD)
TRANSISTORS Q4201,Q4205	339-000036-00(3)	XTR SS NPN HFE200-700 30MHz 2SC2878A
Q4202,Q4206	339-000038-00(1)	XTR SS NPN HFE20 250MHz DTC123ESATP
Q4203,Q4204,Q4207	339-010037-00(6)	XTR SS PNP HFE 270-560 140MHz 2SA933ASTPS
Q4209,Q4210	339-010022-00(4)/E	XTR SS PNP HFE 120-200 200MHz TO-92 8550C (RoHS)
RESISTORS SMD J4201,J4202	398-000036-20(7)/E	RES SMD 0 OHM +/-5% 1/10W 0805 (GP)
IC SMD U4201	500-014051-00(9)	IC LOGIC SINGLE 8 CH ANALOG MUX/ DEMUX SMD M74HC4051MIR

NOTE:

THE COMPONENTS IDENTIFIED BY  MARK ARE CRITICAL FOR RISK OF FIRE AND ELECTRICAL SHOCK. REPLACE ONLY WITH PART NUMBER SPECIFIED.

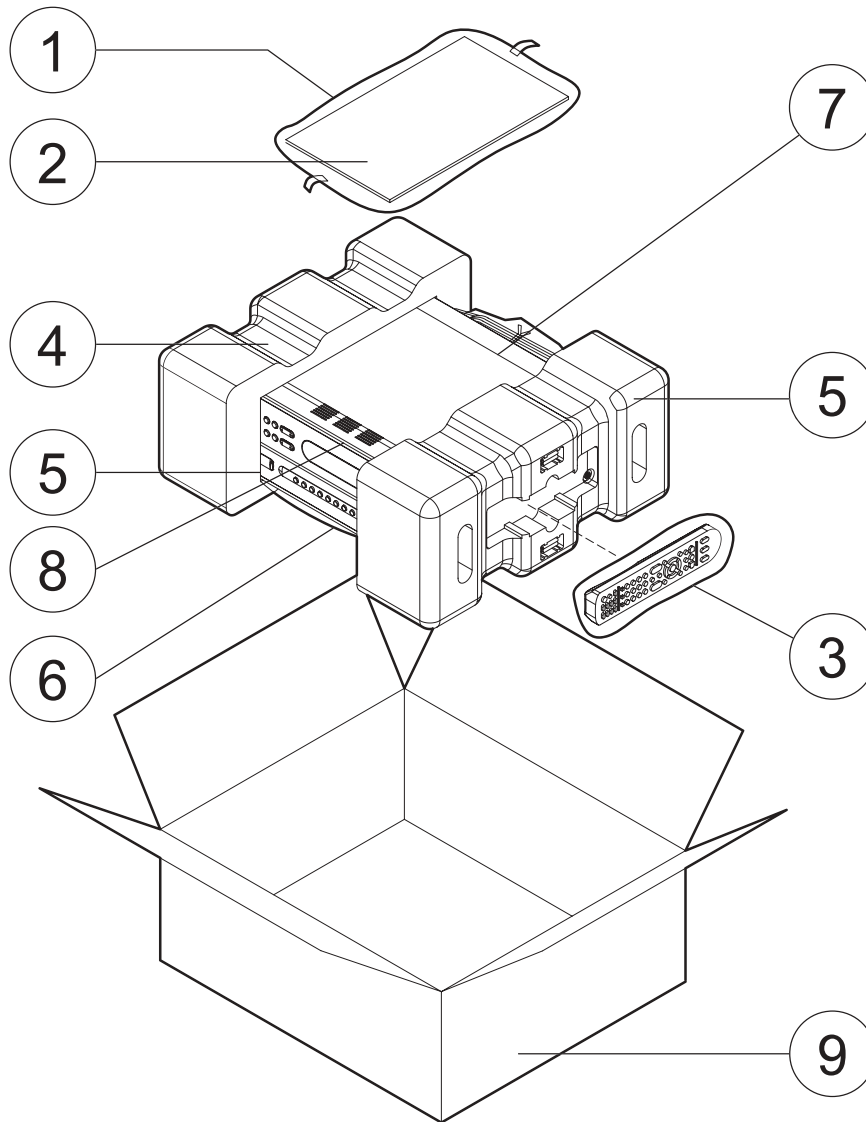
<*AH > : USA, CANADIAN MODEL ONLY.

<*AHT > : USA, CANADIAN WITH TATANUM COLOUR ONLY, ALL ELECTRICAL ARE SAME AS *AH VERSION.

<*C > : EUROPEAN MODEL ONLY.

<*CT > : EUROPEAN MODEL WITH TATANUM COLOUR ONLY, ALL ELECTRICAL ARE SAME AS *C VERSION.

PACKING DIAGRAM & PARTS LIST



<u>Item</u>	<u>Database Part No.</u>	<u>Description</u>	<u>Qty.</u>
1	906-020000-05(7)	POLYBAG MANUAL	1
2	173-640752-00(6)/E	FM WIRE ANTENNA L=2700mm W/Y-TERMINALS (RoHS)	1
2	210-002020-02(2)	BATTERY AAA 1.5V ER03X	4
2	222-647280-00(1)	AM LOOP ANTENNA W/STAND	1
2	277-008100-02(8)	300 TO 75 OHM ANTENNA ADAPTER	1
2	903-074300-03(3)	OM ADDENDUM BOOKLET T743	1
2	903-074300-06(6)	T743 OWNERS MANUAL GB/F/D/NL W/WEEE R.2	1
2	903-074300-07(7)	T743 OWNERS MANUAL E/I/P/S W/WEEE R.2	1
2	904-075200-00(1)/E	WARRANTY CARD (RoHS)	1
3	223-075200-03(6)/E	REMOTE CONTROLLER NAD HTR-2A (RoHS)	1
4	901-074300-00(5)/E	POLYFOAM ENDCAP LEFT T743 (RoHS)	1
5	901-074300-02(7)/E	POLYFOAM ENDCAP RIGHT T743 R.1 (RoHS)	1
6	906-070000-01(5)	POLYBAG MAIN UNIT	1
7	904-075207-00(3)/E	A3 WHITE PAPER 80G (RoHS)	1
8	906-074300-00(6)/E	PROTECTIVE COVER T743 (RoHS)	1
9	911-074300-01(7)	MASTER CARTON BOX T743 R.1	1

VERSION HISTORY

<u>SERIAL NO</u>	<u>SOFTWARE VER.</u>	<u>PCB ASSEMBLY VERSION</u>
R57T74355238-R57T74355837 R58T74356231-R58T74356830	V2.08	ALL PCBs ARE 555-2743##-21
R58T74356831-R58T74357130 R59T74357131-R59T74358130	V2.08	ONLY 555-274347-22, ALL OTHER ARE 555-2743##-21
R5XT74358131-R5XT74359230	V2.08	555-274347-22, 555-274337-22, 555-274301-22, ALL OTHER ARE 555-2743##-21
R5XT74359231-R5XT74359550 R5YT74359551-R5YT74359750	V2.10	555-274305-21, 555-274311-21, ALL OTHER ARE 555-2743##-22
R5YT74359751-R5YT74360050	V2.10	555-274305-21, 555-274311-21, 555-274337-23, ALL OTHER ARE 555-2743##-22
R5ZT74360051-R5ZT74360450	V2.11	555-274305-21, 555-274311-21, 555-274337-23, ALL OTHER ARE 555-2743##-22
R61T74360451-ONWARD	V2.12	555-274305-21, 555-274311-21, 555-274337-23, ALL OTHER ARE 555-2743##-22

REMARK: T 743 PHASE II has divided into 6 PCBs Part Number:

1. 555-274301-2#
2. 555-274303-2#
3. 555-274305-2#
4. 555-274311-2#
5. 555-274337-2#
6. 555-274347-2#

SERVICE MANUAL

T 743
(Phase II)

AV Receiver