

**T748**  
AV Surround Sound Receiver

# SERVICE MANUAL

**T748**  
AV Surround Sound Receiver



# SECTION 1

## SUMMARY

### CONTENTS

PRODUCT SAFETY SERVICING GUIDELINES .....	1-3
SERVICING PRECAUTIONS .....	1-4
* General Servicing Precautions	
* Insulation checking procedure	
* Electrostatically Sensitive Devices	
SPECIFICATIONS .....	1-5
DISASSEMBLY .....	1-6
PRINCIPAL PART LOCATION .....	1-7
EXPLODED VIEW .....	1-8

# PRODUCT SAFETY SERVICING GUIDELINES

CAUTION : DO NOT ATTEMPT TO MODIFY THIS PRODUCT IN ANY WAY. NEVER PERFORM CUSTOMIZED INSTALLATIONS WITHOUT MANUFACTURER'S APPROVAL. UNAUTHORIZED MODIFICATIONS WILL NOT ONLY VOID THE WARRANTY, BUT MAY LEAD TO YOUR BEING LIABLE FOR ANY RESULTING PROPERTY DAMAGE OR USER INJURY.

SERVICE WORK SHOULD BE PERFORMED ONLY AFTER YOU ARE THOROUGHLY FAMILIAR WITH ALL OF THE FOLLOWING SAFETY CHECKS AND SERVICING GUIDELINES. TO DO OTHERWISE, INCREASES THE RISK OF POTENTIAL HAZARDS AND INJURY TO THE USER.

WHILE SERVICING, USE AN ISOLATION TRANSFORMER FOR PROTECTION FROM AC LINE SHOCK.

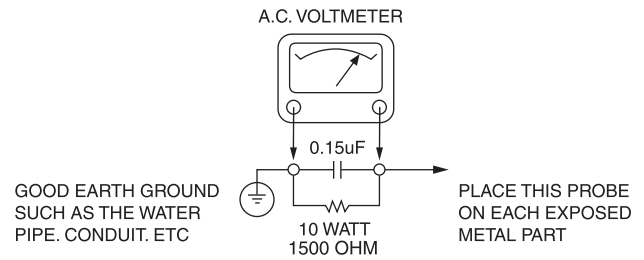
## SAFETY CHECKS

AFTER THE ORIGINAL SERVICE PROBLEM HAS BEEN CORRECTED. A CHECK SHOULD BE MADE OF THE FOLLOWING.

### SUBJECT : FIRE & SHOCK HAZARD

1. BE SURE THAT ALL COMPONENTS ARE POSITIONED IN SUCH A WAY AS TO AVOID POSSIBILITY OF ADJACENT COMPONENT SHORTS. THIS IS ESPECIALLY IMPORTANT ON THOSE MODULES WHICH ARE TRANSPORTED TO AND FROM THE REPAIR SHOP.
2. NEVER RELEASE A REPAIR UNLESS ALL PROTECTIVE DEVICES SUCH AS INSULATORS, BARRIERS, COVERS, SHIELDS, STRAIN RELIEFS, POWER SUPPLY CORDS, AND OTHER HARDWARE HAVE BEEN REINSTALLED PER ORIGINAL DESIGN. BE SURE THAT THE SAFETY PURPOSE OF THE POLARIZED LINE PLUG HAS NOT BEEN DEFEATED.
3. SOLDERING MUST BE INSPECTED TO DISCOVER POSSIBLE COLD SOLDER JOINTS, SOLDER SPLASHES OR SHARP SOLDER POINTS. BE CERTAIN TO REMOVE ALL LOOSE FOREIGN PARTICLES.
4. CHECK FOR PHYSICAL EVIDENCE OF DAMAGE OR DETERIORATION TO PARTS AND COMPONENTS. FOR FRAYED LEADS, DAMAGED INSULATION (INCLUDING AC CORD). AND REPLACE IF NECESSARY FOLLOW ORIGINAL LAYOUT, LEAD LENGTH AND DRESS.
5. NO LEAD OR COMPONENT SHOULD TOUCH A RECEIVING TUBE OR A RESISTOR RATED AT 1 WATT OR MORE. LEAD TENSION AROUND PROTRUDING METAL SURFACES MUST BE AVOIDED.
6. ALL CRITICAL COMPONENTS SUCH AS FUSES, FLAMEPROOF RESISTORS, CAPACITORS, ETC. MUST BE REPLACED WITH EXACT FACTORY TYPES, DO NOT USE REPLACEMENT COMPONENTS OTHER THAN THOSE SPECIFIED OR MAKE UNRECOMMENDED CIRCUIT MODIFICATIONS.
7. AFTER RE-ASSEMBLY OF THE SET ALWAYS PERFORM AN AC LEAKAGE TEST ON ALL EXPOSED METALLIC PARTS OF THE CABINET, (THE CHANNEL SELECTOR KNOB, ANTENNA TERMINALS. HANDLE AND SCREWS) TO BE SURE THE SET IS SAFET TO OPERATE WITHOUT DANGER OF ELECTRICAL SHOCK. DO NOT USE A LINE ISOLATION TRANSFORMER DURING THIS TEST USE AN AC VOLTMETER, HAVING 5000 OHMS PER VOLT OR MORE SENSITIVITY, IN THE FOLLOWING MANNER; CONNECT A 1500 OHM 10 WATT RESISTOR, PARALLELED BY A .15 MFD, 150V AC TYPE CAPACITOR BETWEEN A KNOWN GOOD EARTH GROUND (WATER PIPE, CONDUIT, ETC.) AND THE EXPOSED METALLIC PARTS, ONE AT A TIME.  
MEASURE THE AC VOLTAGE ACROSS THE COMBINATION OF 1500 OHM RESISTOR AND .15 MFD CAPACITOR.  
REVERSE THE AC PLUG AND REPEAT AC VOLTAGE MEASUREMENTS FOR EACH EXPOSED METALLIC PART.

VOLTAGE MEASURE MUST NOT EXCEED 75 VOLTS R.M.S. THIS CORRESPONDS TO 0.5 MILLIAMPER AC ANY VALUE EXCEEDING THIS LIMIT CONSTITUTES A POTENTIAL SHOCK HAZARD AND MUST BE CORRECTED IMMEDIATELY.



## SUBJECT : GRAPHIC SYMBOLS



THE LIGHTNING FLASH WITH ARROWHEAD SYMBOL, WITHIN AN EQUILATERAL TRIANGLE, IS INTENDED TO ALERT THE USER TO THE PRESENCE OF UNINSULATED "DANGEROUS VOLTAGE" WITHIN THE PRODUCT'S ENCLOSURE THAT MAY BE OF SUFFICIENT MAGNITUDE TO CONSTITUTE A RISK OF ELECTRIC SHOCK.



THE EXCLAMATION POINT WITHIN AN EQUILATERAL TRIANGLE IS INTENDED TO ALERT THE USER TO THE PRESENCE OF IMPORTANT OPERATING AND MAINTENANCE (SERVICING) INSTRUCTIONS IN THE LITERATURE ACCOMPANYING THE APPLIANCE.

## SUBJECT : TIPS ON PROPER INSTALLATION

1. NEVER INSTALL ANY PRODUCT IN A CLOSED-IN RECESS, CUBBYHOLE OR CLOSELY FITTING SHELF SPACE. OVER OR CLOSE TO HEAT DUCT, OR IN THE PATH OF HEATED AIR FLOW.
2. AVOID CONDITIONS OF HIGH HUMIDITY SUCH AS: OUTDOOR PATIO INSTALLATIONS WHERE DEW IS A FACTOR, NEAR STEAM RADIATORS WHERE STEAM LEAKAGE IS A FACTOR, ETC.
3. AVOID PLACEMENT WHERE DRAPERIES MAY OBSTRUCT REAR VENTING. THE CUSTOMER SHOULD ALSO AVOID THE USE OF DECORATIVE SCARVES OR OTHER COVERINGS WHICH MIGHT OBSTRUCT VENTILATION.
4. WALL AND SHELF MOUNTED INSTALLATIONS USING A COMMERCIAL MOUNTING KIT MUST FOLLOW THE FACTORY APPROVED MOUNTING INSTRUCTIONS A PRODUCT MOUNTED TO A SHELF OR PLATFORM MUST RETAIN ITS ORIGINAL FEET (OR THE EQUIVALENT THICKNESS IN SPACERS) TO PROVIDE ADEQUATE AIR FLOW ACROSS THE BOTTOM, BOLTS OR SCREWS USED FOR FASTENERS MUST NOT TOUCH ANY PARTS OR WIRING. PERFORM LEAKAGE TEST ON CUSTOMIZED INSTALLATIONS.
5. CAUTION CUSTOMERS AGAINST THE MOUNTING OF A PRODUCT ON SLOPING SHELF OR A TILTED POSITION, UNLESS THE PRODUCT IS PROPERLY SECURED.
6. A PRODUCT ON A ROLL-ABOUT CART SHOULD BE STABLE ON ITS MOUNTING TO THE CART. CAUTION THE CUSTOMER ON THE HAZARDS OF TRYING TO ROLL A CART WITH SMALL CASTERS ACROSS THRESHOLDS OR DEEP PILE CARPETS.
7. CAUTION CUSTOMERS AGAINST THE USE OF A CART OR STAND WHICH HAS NOT BEEN LISTED BY UNDERWRITERS LABORATORIES, INC. FOR USE WITH THEIR SPECIFIC MODEL OF TELEVISION RECEIVER OR GENERICALLY APPROVED FOR USE WITH T.V.'S OF THE SAME OR LARGER SCREEN SIZE.
8. CAUTION CUSTOMERS AGAINST THE USE OF EXTENSION CORDS, EXPLAIN THAT A FOREST OF EXTENSIONS SPROUTING FROM A SINGLE OUTLET CAN LEAD TO DISASTROUS CONSEQUENCES TO HOME AND FAMILY.

# SERVICING PRECAUTIONS

**CAUTION** : Before servicing the A/V Receiver covered by this service data and its supplements and addends, read and follow the **SAFETY PRECAUTIONS. NOTE** : if unforeseen circumstances create conflict between the following servicing precautions and any of the safety precautions in this publication, always follow the safety precautions.

**Remember Safety First:**

## General Servicing Precautions

1. Always unplug the A/V Receiver AC power cord from the AC power source before:
  - (1) Removing or reinstalling any component, circuit board, module, or any other assembly.
  - (2) Disconnecting or reconnecting any internal electrical plug or other electrical connection.
  - (3) Connecting a test substitute in parallel with an electrolytic capacitor.

**Caution** : A wrong part substitution or incorrect polarity installation of electrolytic capacitors may result in an explosion hazard.
2. Do not spray chemicals on or near this A/V Receiver or any of its assemblies.
3. Unless specified otherwise in this service data, clean electrical contacts by applying an appropriate contact cleaning solution to the contacts with a pipe cleaner, cottontipped swab, or comparable soft applicator.  
Unless specified otherwise in this service data, lubrication of contacts is not required.
4. Do not defeat any plug/socket B+ voltage interlocks with which instruments covered by this service manual might be equipped.
5. Do not apply AC power to this A/V Receiver and/or any of its electrical assemblies unless all solid-state device heat sinks are correctly installed.
6. Always connect test instrument ground lead to the appropriate ground before connecting the test instrument positive lead. Always remove the test instrument ground lead last.

## Insulation Checking Procedure

Disconnect the attachment plug from the AC outlet and turn the power on. Connect an insulation resistance meter(500V) to the blades of the attachment plug. The insulation resistance between each blade of the attachment plug and accessible conductive parts (Note 1) should be more than 1M-ohm.

**Note 1** : Accessible Conductive Parts including Metal panels, Input terminals, Earphone jacks, etc.

## Electrostatically Sensitive (ES) Devices

Some semiconductor (solid state) devices can be damaged easily by static electricity. Such components commonly are called Electrostatically Sensitive (ES) Devices. Examples of typical Es devices are integrated circuits and some field effect transistors and semiconductor chip components.

The following techniques should be used to help reduce the incidence of component damage caused by static electricity.

1. Immediately before handling any semiconductor component or semiconductor-equipped assembly, drain off any electrostatic charge on your body by touching a known earth ground. Alternatively, obtain and wear a commercially available discharging wrist strap device, which should be removed for potential shock reasons prior to applying power to the unit under test.
2. After removing an electrical assembly equipped with ES devices, place the assembly on a conductive surface such as aluminum foil, to prevent electrostatic charge buildup or exposure of the assembly.
3. Use only a grounded-tip soldering iron to solder or unsolder ES devices.
4. Use only an antistatic solder removal device. Some solder removal devices not classified a "anti-static" can generate electrical charges sufficient to damage ES devices.
5. Do not use freonpropelled chemicals. These can generate electrical charge sufficient to damage ES devices.
6. Do not remove a replacement ES device from its protective package until immediately before you are ready to install it. (Most replacement ES devices are packaged with leads electrically shorted together by conductive foam, aluminum foil, or comparable conductive material).
7. Immediately before removing the protective material from the leads of a replacement ES device, touch the protective material to the chassis or circuit assembly into which the device will be installed.

**Caution** : Be sure no power is applied to the chassis or circuit, and observe all other safety precautions.

8. Minimize bodily motions when handing unpackaged replacement ES devices. (Normally harmless motion such as the brushing together of your clothes fabric or the lifting of your foot from a carpeted floor can generate static electricity sufficient to damage an ES device.)

# SPECIFICATIONS

## Amplifier Section

Output Power(Front):

F.T.C Ration:

80 watts RMS per channel minimum,  
both channels driven into 8 ohms from  
20Hz to 20KHz with no more than 0.08%  
total harmonic distortion

Surround Output Power (0.08% THD, 1KHz, 8 ohms):

45 + 45 Watt (Front)  
45 Watt (Center)  
45 + 45 Watt (Surr)  
45 + 45 Watt (Back Surr)

Total Harmonic Distortion (Front):

0.08% (at 45 Watts, 1KHz)

Audio input Sensitivity/Impedance :

\* Line : 250 mV/47 Kohms

Output Level / Impedance

\* REC : 250 mV/2.2Kohms

Frequency Response :

\* Line : 20Hz - 100KHz, +3/- 3dB

Signal-to-Noise Ratio : 1 Watt

\* Line : 85 dB (IHF- A)

Tone Control

BASS : +/- dB at 100Hz

TREBLE : +/- dB at 10KHz

## Digital audio Section

Sampling Frequency :

32KHz, 44.1KHz, 48KHz, 96KHz, 192KHz

Digital Input Level/Impedance

Coaxial : 0.5 Vp- p/75 ohms

Optical : - 15dBm ~ - 21dBm

## Video Section

Input Level/Impedance : 1.0Vp-p/75ohms

Output Level/Impedance : 1.0Vp-p/75ohms

\*Linemeans Source 1~4, Front, MP

\* Improvements may result in specifications and features  
changing without notice

\* Illustrations may differ slightly from production models.

## FM Tuner Section

(Without notes 100.1MHz, 60dB)

Tuning Range

87.5MHz - 108.0MHz C:50KHz steps  
AH:100KHz steps

AM Suppression Ratio : C : 45 dB

AH : 45 dB

Total Harmonic Distortion(1KHz) :

Mono : 0.8%

Stereo : 1.0%

Frequency Response : 50Hz - 13KHz, +3/-3dB

Stereo Separation(1KHz) : C : 30dB

AH : 30dB

Signal- to- Noise Ratio:

Mono : 60dB

## AM Tuner Section

Tuning Range:

C:522KHz- 1620KHz(9KHz steps)  
AH:520KHz-1710KHz(10KHz steps)

Usable Sensitivity : 55dB

Total Harmonic Distortion : 1.0%

Signal- to- Noise Ratio : 35dB

## General

Power Requirements :

C : AC230V, 50Hz

AH : AC120V, 60Hz

Power Consumption : C : 2.0A

AH : 4.5A

AC Outlets : unswitched x 1, Total 100W max.(1A)

Dimensions(W x H x D) : 435 x 167 x 397

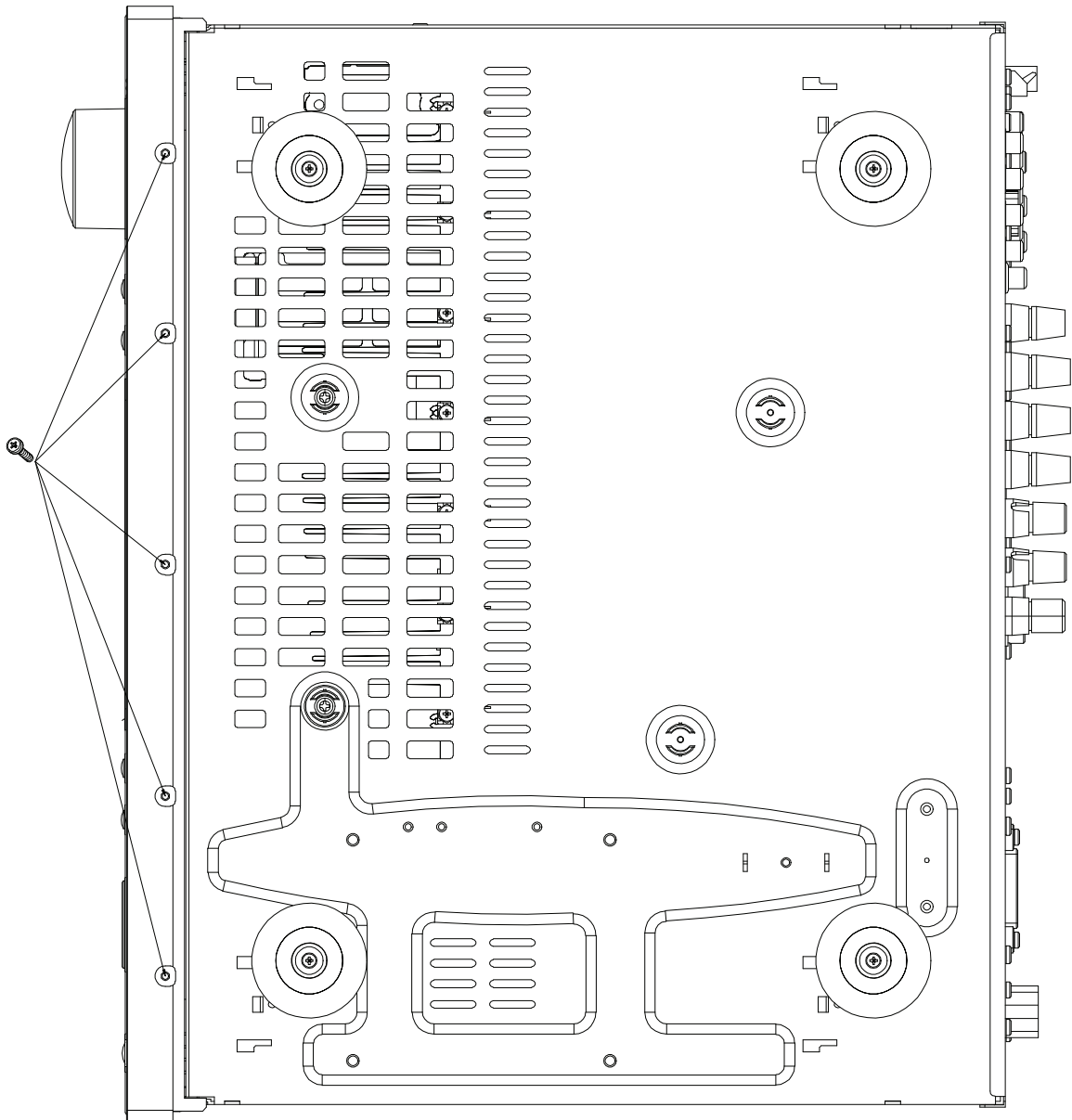
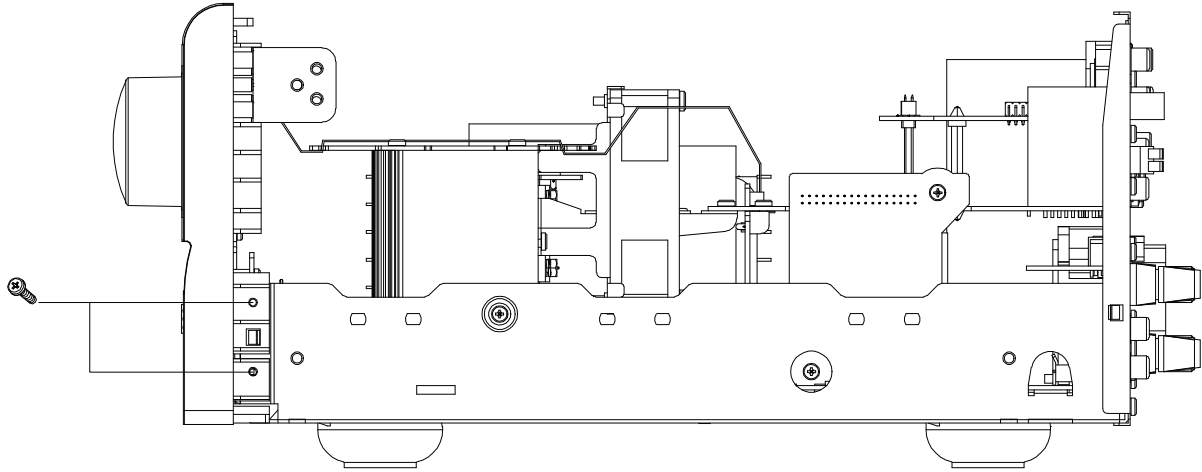
Weight(net) : 11.5Kg

## Factory Reset

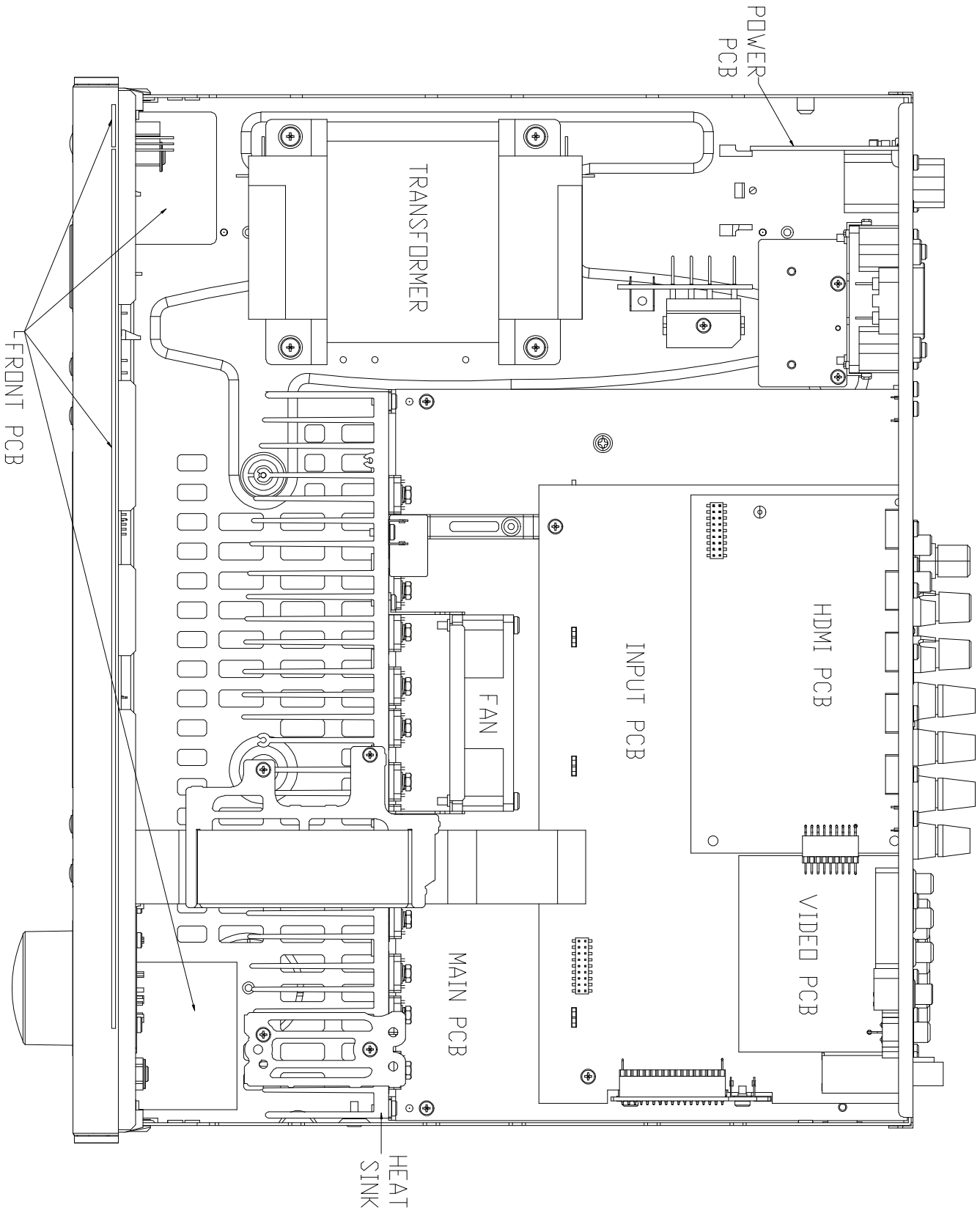
The select AM mode, then press/hold  
“listening mode” button.

# DISASSEMBLY

## REMOVAL OF FRONT PANEL



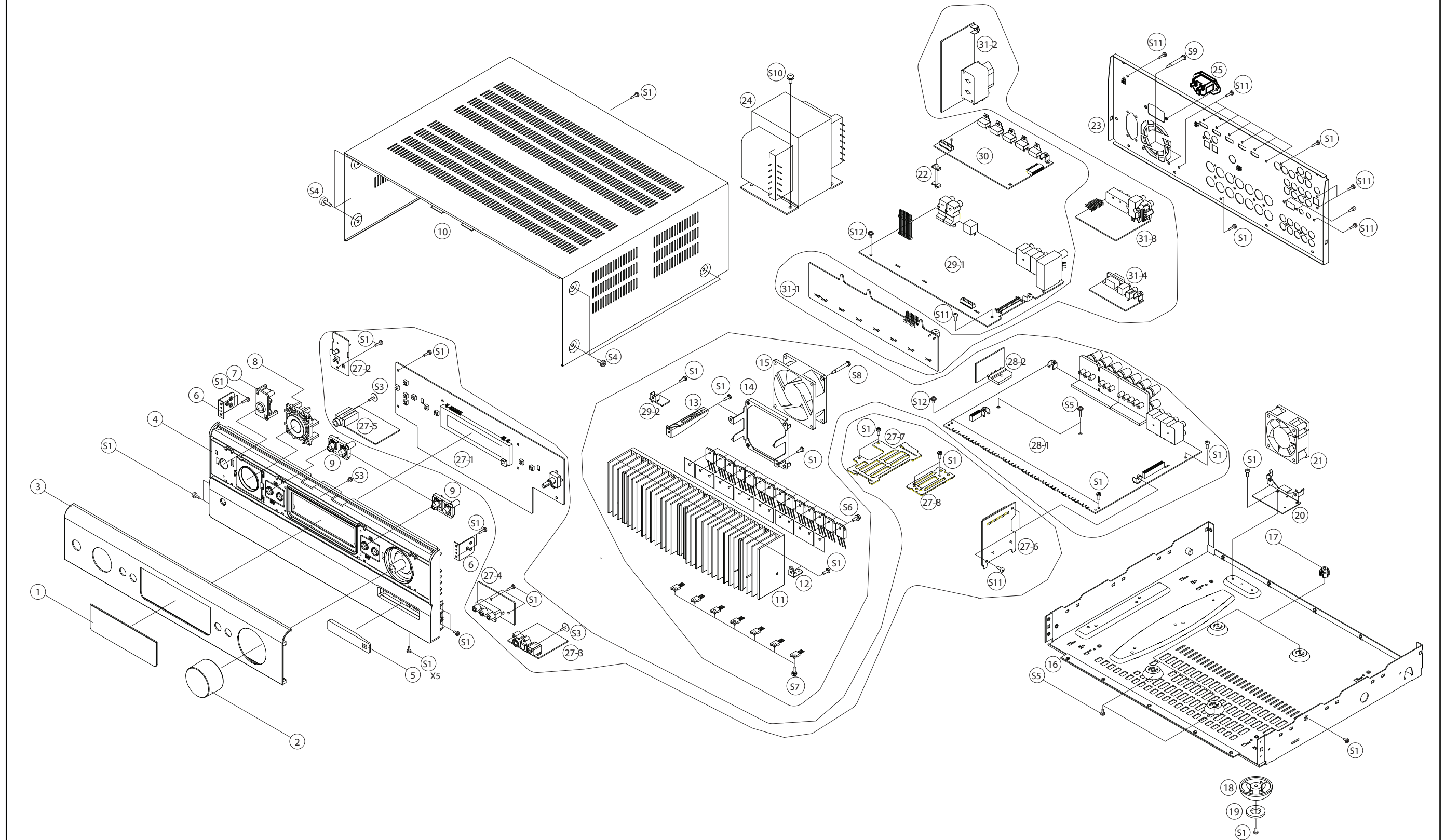
# PRINCIPAL PART LOCATION





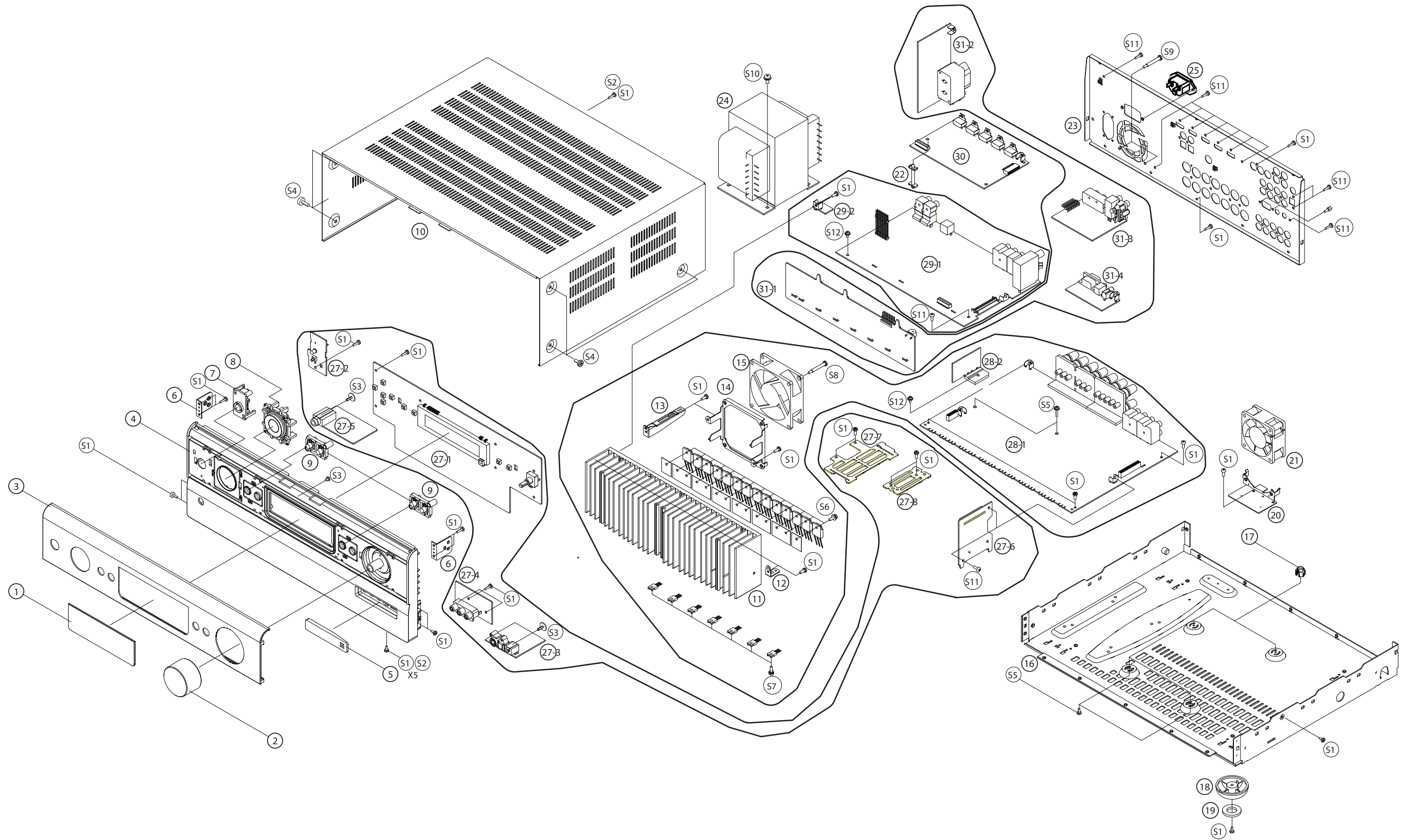


# T748AH EXPLODED VIEW





# T748C EXPLODED VIEW

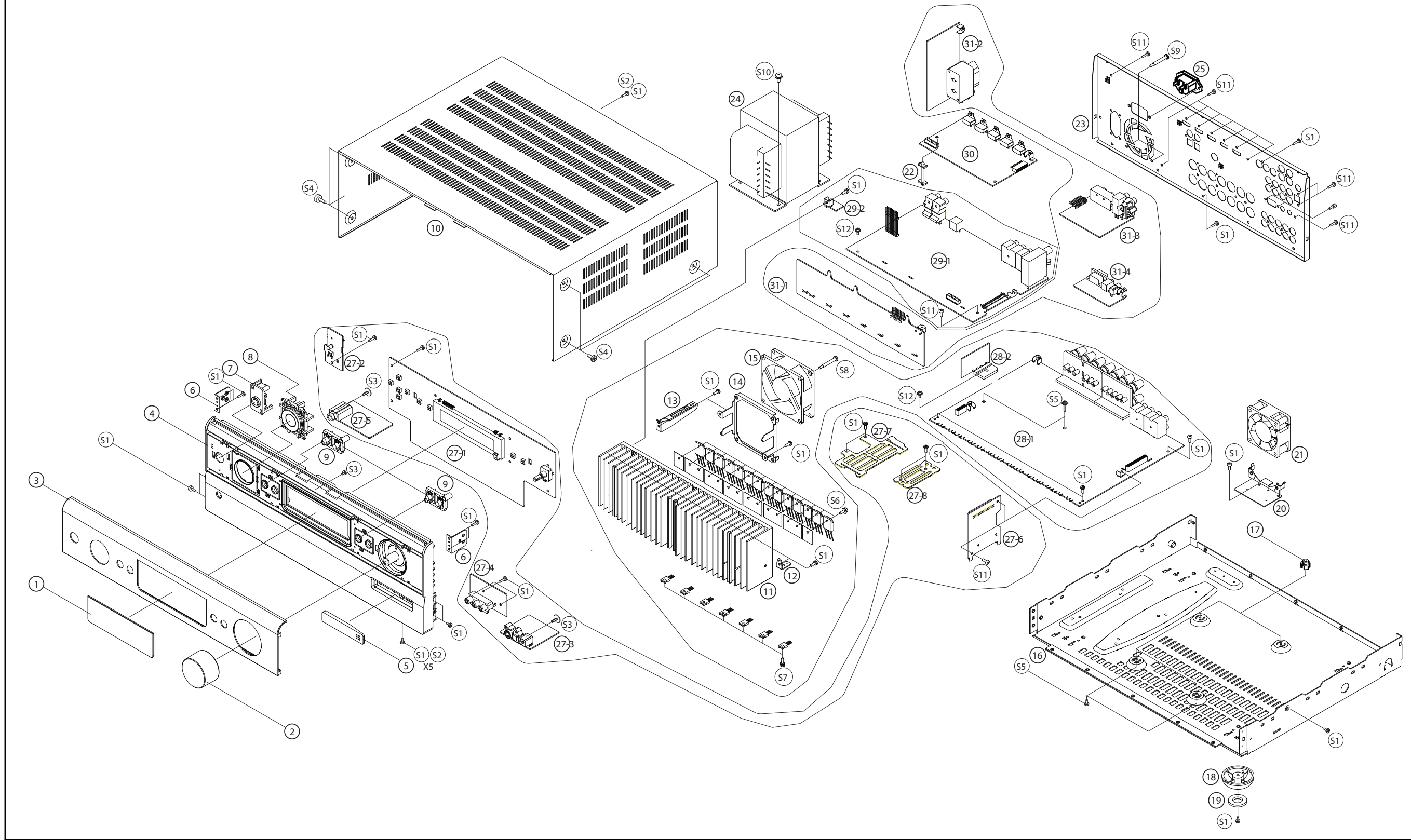


# T748CT EXPLODED VIEW PARTS LIST

NO	DESCRIPTION	PARTS NO	Q,ty	REMARK
1	WINDOW ,FIP	CGU1A434Z	1	
2	VOLUME KNOB ASS'Y	CGK1A145YA	1	
	KNOB,VOLUME	CBN1A216	1	
	CAP,VOLUME	CGK1A145C37	1	
3	PANEL,AL	CKM1A208XC37	1	
4	PANEL,FRONT	CGW2A475RBG38	1	
5	COVER,JACK	CGR1A476G38	1	
6	BRACKET	CMD2A563	2	
7	POWER KNOB ASS'Y	CBT1A1103YA	1	
	KNOB,POWER	CBT1A1103G38	1	
	INDICATOR,POWER	CGL1A280Y	1	
8	FUNCTION KNOB ASS'Y	CGK2A126YA	1	
	CAP,FUNCTION	CGK1A126C37	1	
	KNOB,FUNCTION	CBT1A1102G38	1	
9	KNOB,SOURCE	CBT1A1104G38	2	
10	CABINET, TOP	CKC1A188B22/G39	1	
11	HEAT SINK	CMY1A369	1	
12	BRACKET,PCB	CMD1A734	2	
13	BRACKET	CMD1A674	1	
14	BRACKET , FAN	CMD1A694	1	
15	FAN,MOTOR(80*80*25)	CFNRDH80255	1	
16	CHASSIS ,BOTTOM	CUA1A327	1	
17	HOLDER , PCB	CHE170	4	
18	FOOT	CKL1A086	4	
19	RUBBER,FOOT	CHG1A297	4	
20	BRACKET , FAN	CMD1A506	1	
21	FAN,MOTOT(60*60*25)	CFNRDM60255	1	
22	SUPPORT,PCB 31	CRE1A073	1	
23	PANEL,REAR	CKF1A445ZK1	1	
24	TRANS,POWER	CLT5V061ZE	1	
25	2P WIRE ASS'Y	CWZPM5003TW91A	1	
26				
27	FRONT PCB ASS'Y	COP12370B	1	
		27-1 COP12370-1	1	
		27-2 COP12370-2	1	
		27-3 COP12370-3	1	
		27-4 COP12370-4	1	
		27-5 COP12370-5	1	
		27-6 COP12370-6	1	
		27-7 COP12370-7	1	
		27-8 COP12370-8	1	
28	MAIN PCB ASS'Y	COP12372B	1	
		28-1 COP12372-1	1	
		28-2 COP12372-2	1	
29	INPUT PCB ASS'Y	COP12371B	1	
		29-1 COP12371-1	1	
		29-2 COP12371-2	1	
30	HDMI PCB ASS'Y	COP12374B	1	
31	SUB PCB ASS'Y	COP12373B	1	
		31-1 COP12373-1	1	
		31-2 COP12373-2	1	
		31-3 COP12373-3	1	
		31-4 COP12373-4	1	
			1	

NO	DESCRIPTION	PARTS NO.	Q,ty
S1	SCREW	CTB3+8JFZR	44
S2	SCREW	CTB3+8JFC	10
S3	SCREW	CTWS3+10GR	2
S4	SCREW	CTB4+6FC	6
S5	SCREW	CTW3+12JR	4
S6	SCREW,SPECIAL	CHD1A012R	14
S7	SCREW,SPECIAL	CHD3A012R	8
S8	SCREW,SPECIAL	CHD1A036R	4
S9	SCREW,SPECIAL	CHD1A036FZR	2
S10	SCREW,TRANS	CHD1A023R	4
S11	SCREW	CTB3+6FFZR	13
S12	SCREW	CTW3+8JR	1

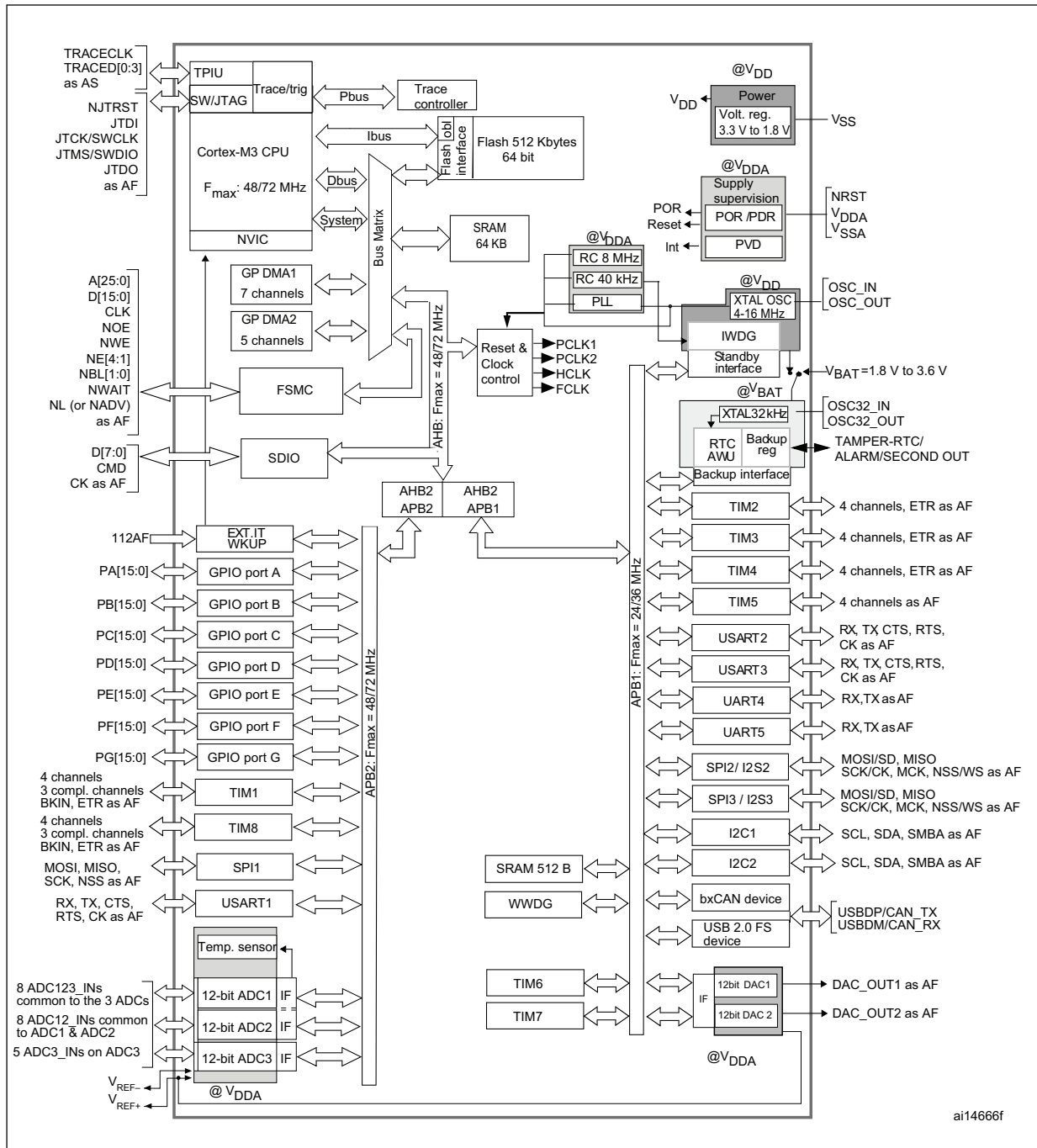
# T748CT EXPLODED VIEW



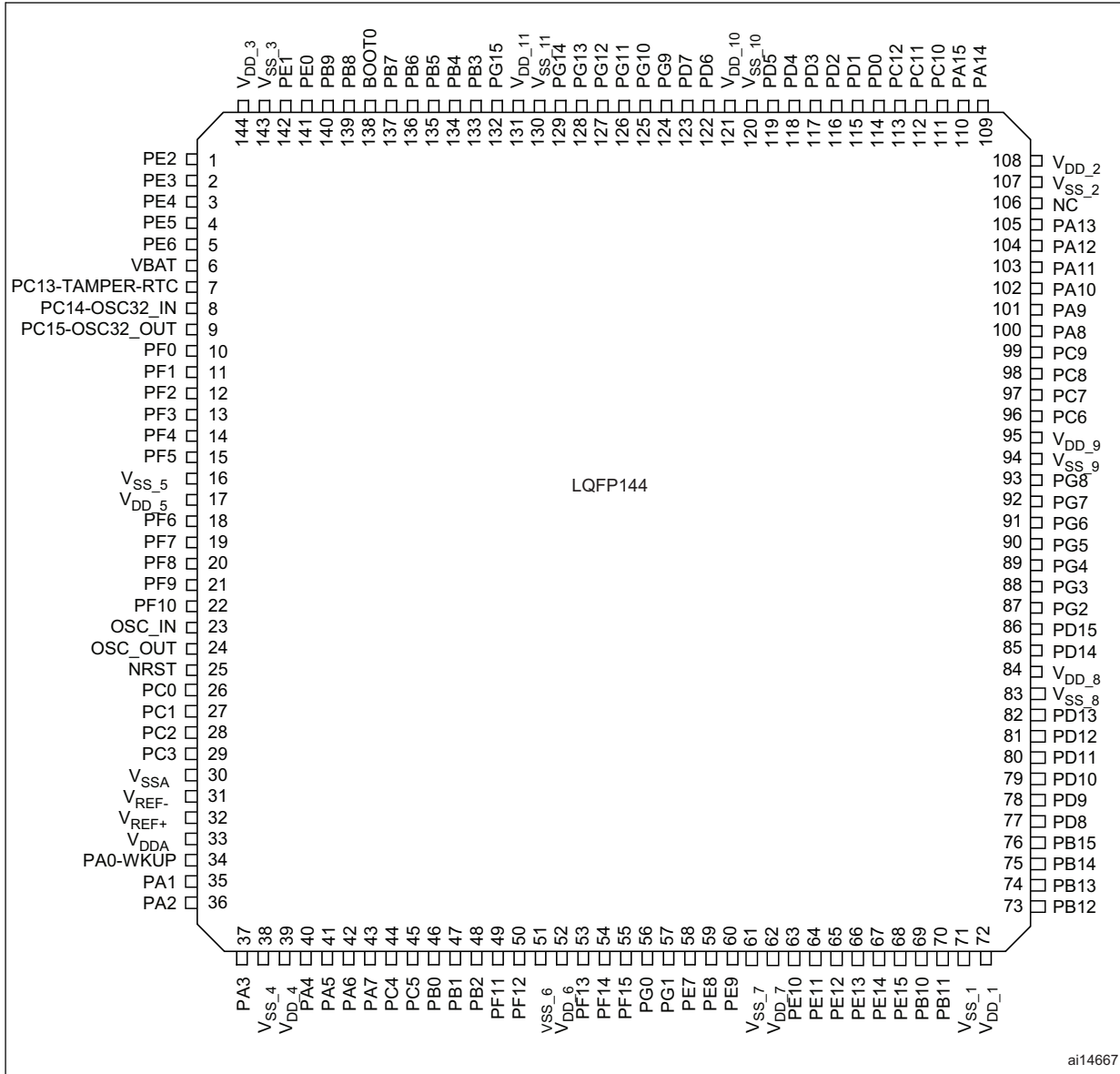
# IC BLOCK DIAGRAMS & PIN DESCRIPTION

## IC101 : STM32F103ZET6 (FLASH MCU)

### IC BLOCK DIAGRAMS



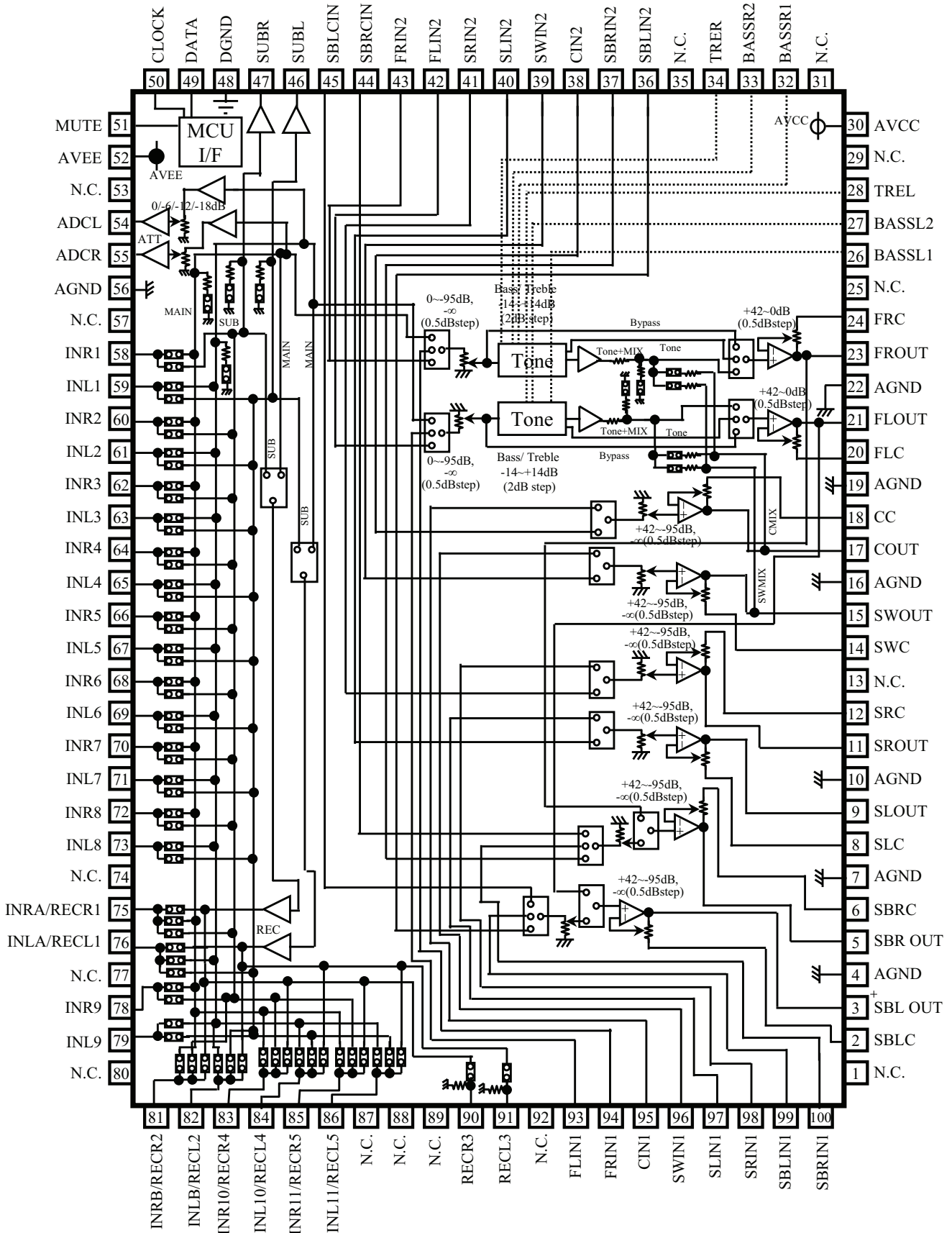
# IC PIN DESCRIPTION



ai14667

# IC 301 : R2A15218FP (INPUT SELECTOR TONE CONTROL)

## BLOCK DIAGRAM AND PIN CONFIGURATION (TOP VIEW)



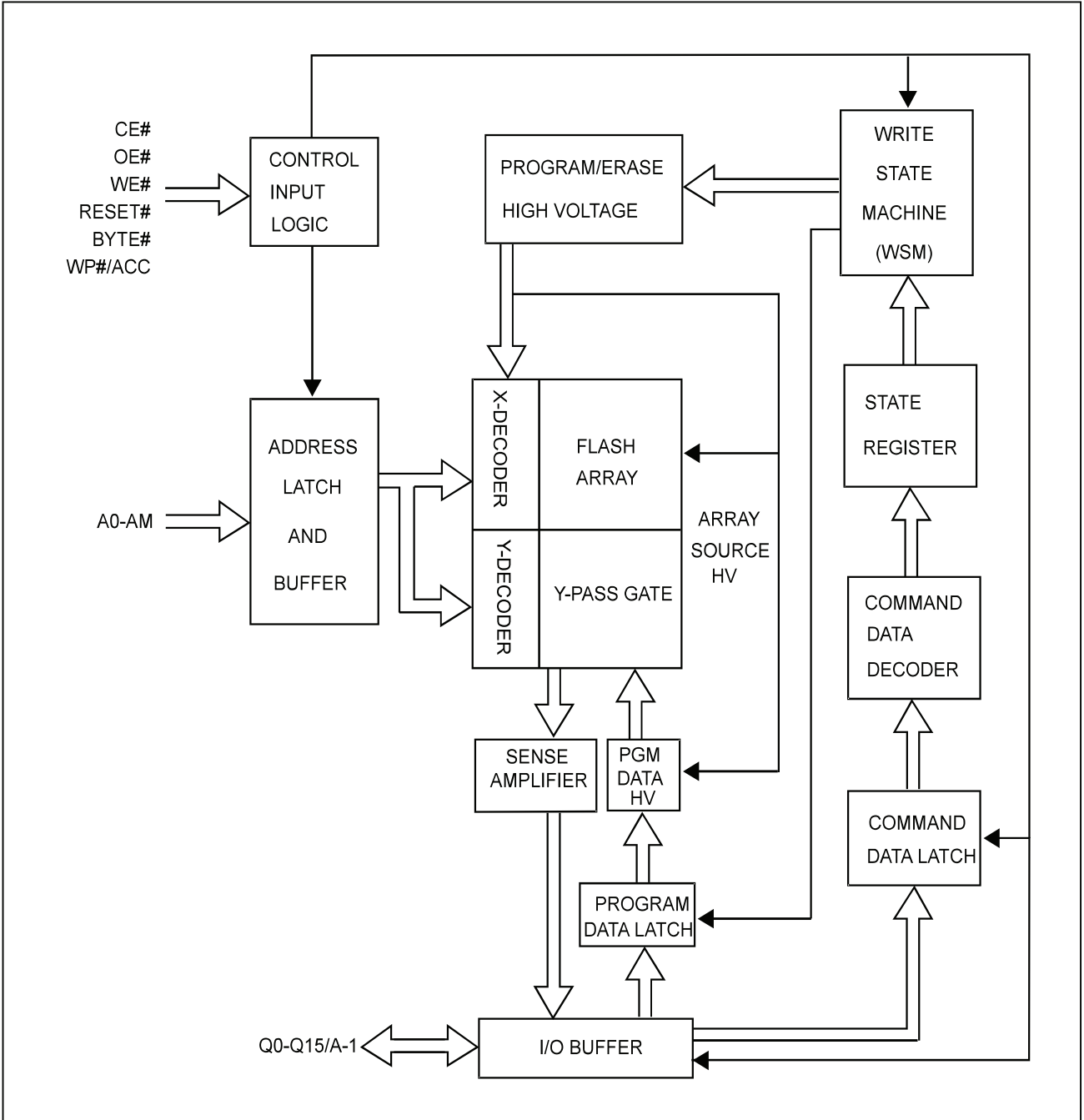


PIN DESCRIPTION

PIN No.	Name	Function
23,21, 17,15, 11,9, 5,3	FROUT,FLOUT, COUT,SWOUT, SROUT, SLOUT, SBROUT,SBLOUT	Output pin of FL/FR/C/SW/SL/SR/SBL/SBR channel
24,20, 18,14, 12,8, 6,2	FRC,FLC, CC,SWC, SRC,SLC, SBRC,SBLC	Connects capacitor for reducing click noise of L/R/C/SW/SL/SR/SBL/SBR channel volume
4,7,10,16, 19,22,56	AGND	Analog ground of internal circuit
28,34	TREL, TRER	Frequency characteristic setting pin of L/R channel tone control (Treble)
26,27, 32,33	BASSL1,BASSL2 BASSR1,BASSR2	Frequency characteristic setting pin of L/R channel tone control (Bass)
30	AVCC	Positive power supply to internal circuit
43,42, 41,40, 39,38, 37,36	FRIN2, FLIN2, SRN2,SLIN2, SWIN2,CIN2, SBRIN2,SBLIN2	Input pin of L/R/C/SW/SL/SR/SBL/SBR channel (Multi IN 1/2)
93,94, 95,96, 97,98, 99,100	FLIN1, FRIN1, CIN1,SWIN1, SLIN1,SRIN1, SBLIN1,SBRIN1	
48	DGND	Digital ground of internal circuit
49	DATA	Input pin of control data
50	CLOCK	Input pin of control clock
52	AVEE	Negative power supply to internal circuit
59,61,63, 65,67,69, 71,73,79	INL1,INL2, INL3, INL4,INL5,INL6, INL7,INL8,INL9	Input pin of L/R channel (Input Selector)
58,60,62, 64,66,68, 70,72,78	INR1,INR2, INR3, INR4,INR5,INR6, INR7,INR8,INR9	
51	MUTE	Outside Mute Control PIN
44,45	SBRCIN,SBLCIN	Input pin for SBL/SBR channel Volume
46,47	SUBL,SUBR	Output pin for L/R channel SUB Output
54,55	ADCL, ADCR	Output pin for L/R channel ADC
90,91	RECR3,RECL3	Output pin for L/R channel REC Output
75,76, 81,82, 83,84, 85,86	INRA/RECR1,INLA/RECL1, INRB/RECR2,INLB/RECL2, INR10/RECR4,INL10/RECL4, INR11/RECR5,INL11/RECL5	Input pin of L/R channel (Input Selector)/ Output pin for L/R channel REC Output
1,13,25,29,31, 35,53, 57,74,77,80, 87,88,89,92	N.C.	No Connected PIN

IC 211 : MX29LV32DTTI - 70G (FLASH OF DSP)

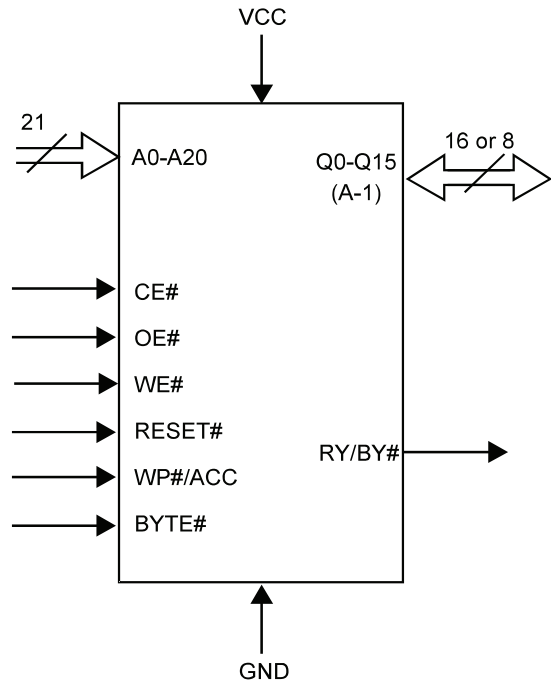
**BLOCK DIAGRAM**



## PIN DESCRIPTION

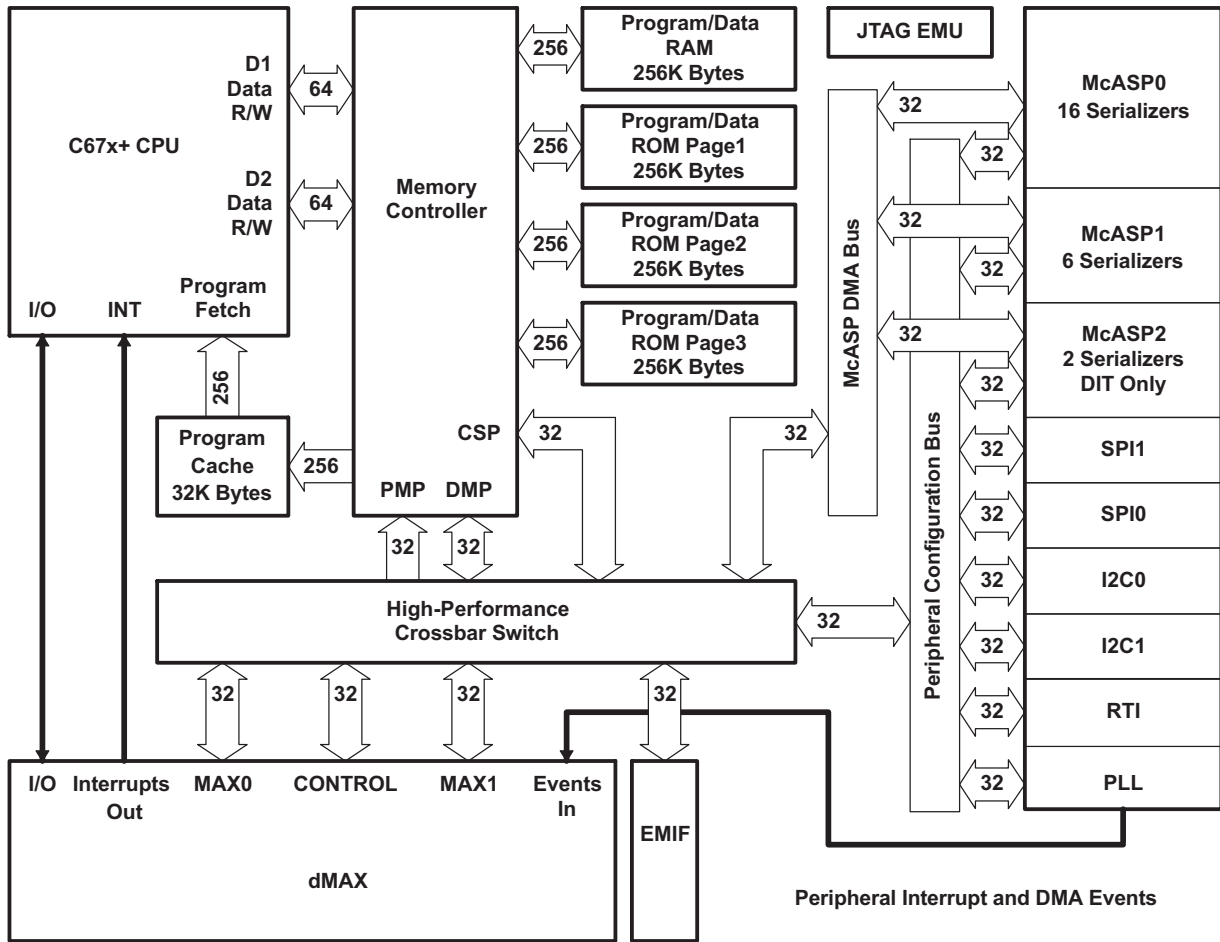
SYMBOL	PIN NAME
A0~A20	Address Input
Q0~Q14	15 Data Inputs/Outputs
Q15/A-1	Q15(Data Input/Output, word mode); A-1(LSB Address Input, byte mode)
CE#	Chip Enable Input
WE#	Write Enable Input
OE#	Output Enable Input
BYTE#	Word/Byte Selection Input
RESET#	Hardware Reset Pin, Active Low
RY/BY#	Ready/Busy Output
Vcc	3.0 volt-only single power supply
WP#/ACC	Hardware Write Protect/Acceleration Pin
GND	Device Ground
NC	Pin Not Connected Internally

## LOGIC SYMBOL

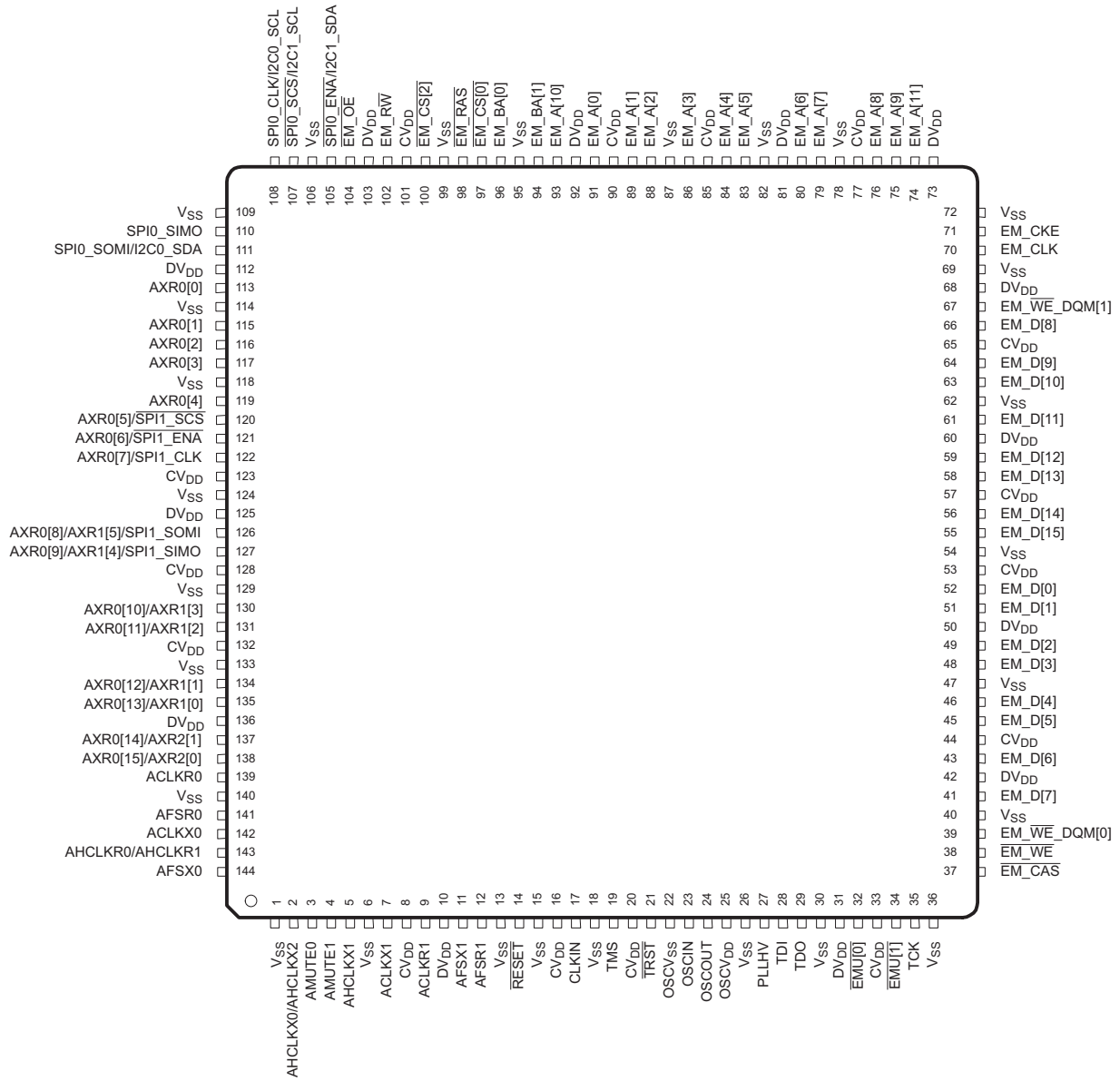


# IC 201 : TMS320DA788B (AUDIO DSP)

## Device Block Diagram

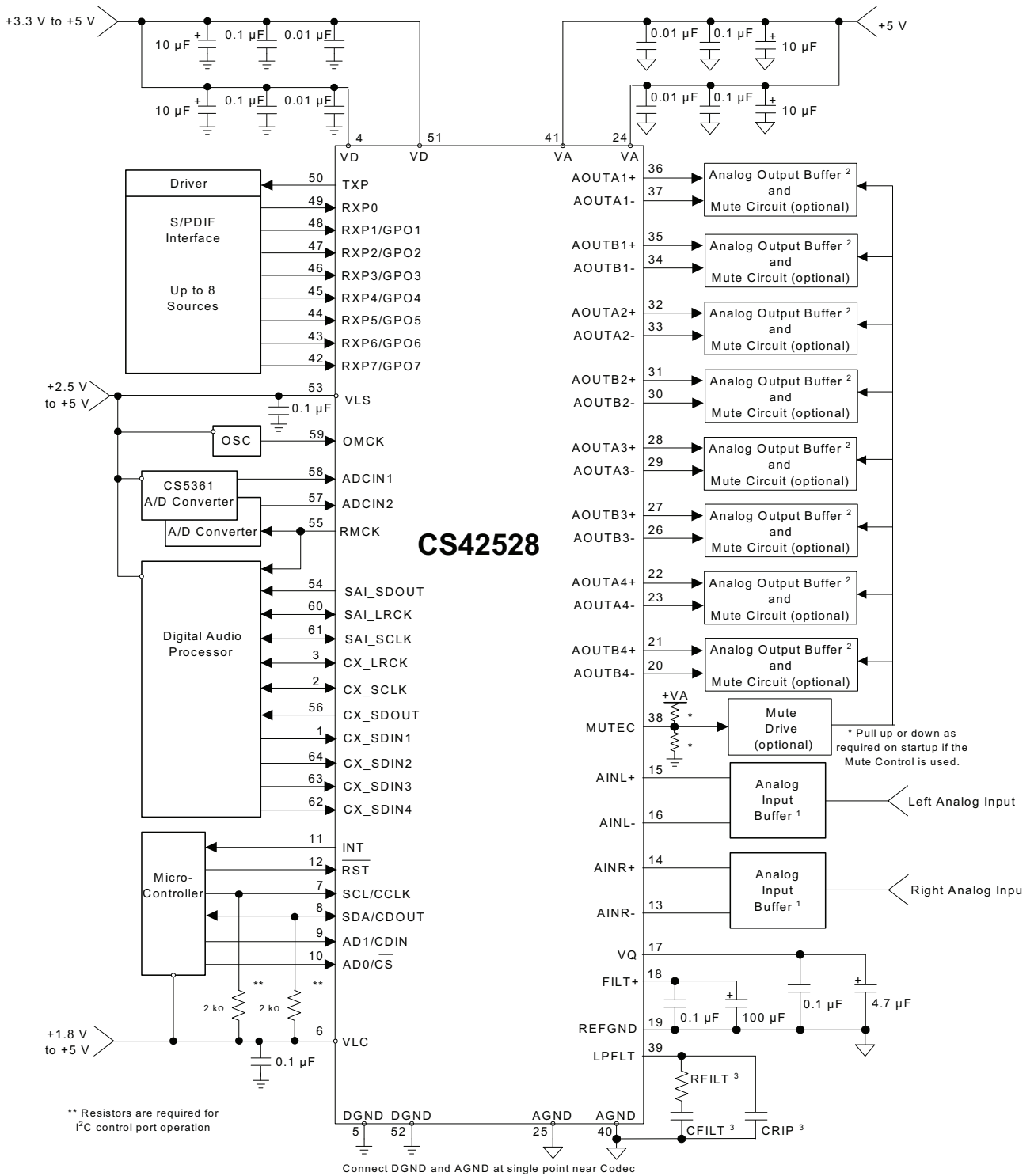


# Pin Maps

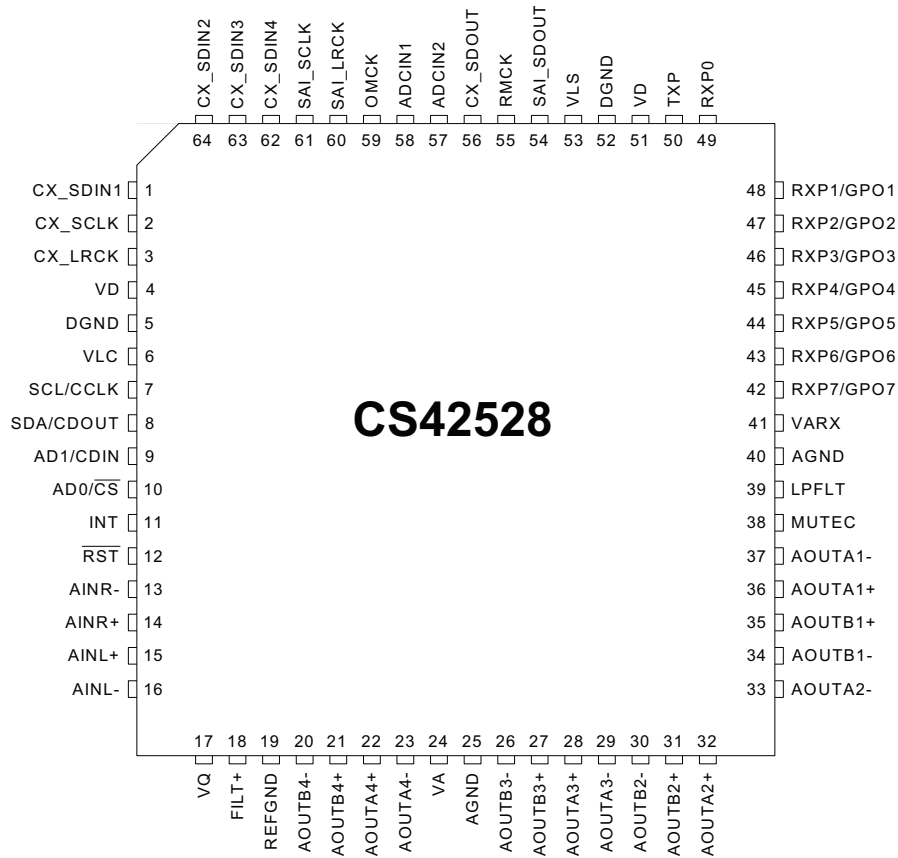


# IC 299 : CS42528-CQ

## TYPICAL CONNECTION DIAGRAM



## PIN DESCRIPTIONS



Pin Name	#	Pin Description
<b>CX_SDIN1</b>	1	<b>Codec Serial Audio Data Input (Input)</b> - Input for two's complement serial audio data.
<b>CX_SDIN2</b>	64	
<b>CX_SDIN3</b>	63	
<b>CX_SDIN4</b>	62	
<b>CX_SCLK</b>	2	<b>CODEC Serial Clock (Input/Output)</b> - Serial clock for the CODEC serial audio interface.
<b>CX_LRCK</b>	3	<b>CODEC Left Right Clock (Input/Output)</b> - Determines which channel, Left or Right, is currently active on the CODEC serial audio data line.
<b>VD</b>	4 51	<b>Digital Power (Input)</b> - Positive power supply for the digital section.
<b>DGND</b>	5 52	<b>Digital Ground (Input)</b> - Ground reference. Should be connected to digital ground.
<b>VLC</b>	6	<b>Control Port Power (Input)</b> - Determines the required signal level for the control port.
<b>SCL/CCLK</b>	7	<b>Serial Control Port Clock (Input)</b> - Serial clock for the serial control port. Requires an external pull-up resistor to the logic interface voltage in $I^2C$ mode as shown in the Typical Connection Diagram.
<b>SDA/CDOUT</b>	8	<b>Serial Control Data (Input/Output)</b> - SDA is a data I/O line in $I^2C$ mode and requires an external pull-up resistor to the logic interface voltage, as shown in the Typical Connection Diagram. CDOUT is the output data line for the control port interface in SPI mode.
<b>AD1/CDIN</b>	9	<b>Address Bit 1 (I<sup>2</sup>C)/Serial Control Data (SPI) (Input)</b> - AD1 is a chip address pin in $I^2C$ mode; CDIN is the input data line for the control port interface in SPI mode.

<b>AD0/<math>\overline{\text{CS}}</math></b>	10	<b>Address Bit 0 (I<sup>2</sup>C)/Control Port Chip Select (SPI) (Input)</b> - AD0 is a chip address pin in I <sup>2</sup> C mode; $\overline{\text{CS}}$ is the chip select signal in SPI mode.
<b>INT</b>	11	<b>Interrupt (Output)</b> - The CS42528 will generate an interrupt condition as per the Interrupt Mask register. See "Interrupts" on page 40 for more details.
<b>RST</b>	12	<b>Reset (Input)</b> - The device enters a low power mode and all internal registers are reset to their default settings when low.
<b>AINR- AINR+</b>	13 14	<b>Differential Right Channel Analog Input (Input)</b> - Signals are presented differentially to the delta-sigma modulators via the AINR+/- pins.
<b>AINL+ AINL-</b>	15 16	<b>Differential Left Channel Analog Input (Input)</b> - Signals are presented differentially to the delta-sigma modulators via the AINL+/- pins.
<b>VQ</b>	17	<b>Quiescent Voltage (Output)</b> - Filter connection for internal quiescent reference voltage.
<b>FILT+</b>	18	<b>Positive Voltage Reference (Output)</b> - Positive reference voltage for the internal sampling circuits.
<b>REFGND</b>	19	<b>Reference Ground (Input)</b> - Ground reference for the internal sampling circuits.
<b>AOUTA1 +,- AOUTB1 +,- AOUTA2 +,- AOUTB2 +,- AOUTA3 +,- AOUTB3 +,- AOUTA4 +,- AOUTB4 +,-</b>	36,37 35,34 32,33 31,30 28,29 27,26 22,23 21,20	<b>Differential Analog Output (Output)</b> - The full-scale differential analog output level is specified in the Analog Characteristics specification table.
<b>VA VARX</b>	24 41	<b>Analog Power (Input)</b> - Positive power supply for the analog section.
<b>AGND</b>	25 40	<b>Analog Ground (Input)</b> - Ground reference. Should be connected to analog ground.
<b>MUTEC</b>	38	<b>Mute Control (Output)</b> - The Mute Control pin outputs high impedance following an initial power-on condition or whenever the PDN bit is set to a '1', forcing the codec into power-down mode. The signal will remain in a high impedance state as long as the part is in power-down mode. The Mute Control pin goes to the selected "active" state during reset, muting, or if the master clock to left/right clock frequency ratio is incorrect. This pin is intended to be used as a control for external mute circuits to prevent the clicks and pops that can occur in any single supply system. The use of external mute circuits are not mandatory but may be desired for designs requiring the absolute minimum in extraneous clicks and pops.
<b>LPFLT</b>	39	<b>PLL Loop Filter (Output)</b> - An RC network should be connected between this pin and ground.
<b>RXP7/GPO7 RXP6/GPO6 RXP5/GPO5 RXP4/GPO4 RXP3/GPO3 RXP2/GPO2 RXP1/GPO1</b>	42 43 44 45 46 47 48	<b>S/PDIF Receiver Input/ General Purpose Output (Input/Output)</b> - Receiver inputs for S/PDIF encoded data. The CS42528 has an internal 8:2 multiplexer to select the active receiver port, according to the Receiver Mode Control 2 register. These pins can also be configured as general purpose output pins, ADC Overflow indicators or Mute Control outputs according to the RXP/General Purpose Pin Control registers.
<b>RXP0</b>	49	<b>S/PDIF Receiver Input (Input)</b> - Dedicated receiver input for S/PDIF encoded data.
<b>TXP</b>	50	<b>S/PDIF Transmitter Output (Output)</b> - S/PDIF encoded data output, mapped directly from one of the receiver inputs as indicated by the Receiver Mode Control 2 register.
<b>VLS</b>	53	<b>Serial Port Interface Power (Input)</b> - Determines the required signal level for the serial port interfaces.
<b>SAI_SDOOUT</b>	54	<b>Serial Audio Interface Serial Data Output (Output)</b> - Output for two's complement serial audio PCM data from the S/PDIF incoming stream. This pin can also be configured to transmit the output of the internal and external ADCs.
<b>RMCK</b>	55	<b>Recovered Master Clock (Output)</b> - Recovered master clock output from the External Clock Reference (OMCK, pin 59) or the PLL which is locked to the incoming S/PDIF stream or CX_LRCK.



<b>CX_SDOUT</b>	56	<b>CODEC Serial Data Output</b> ( <i>Output</i> ) - Output for two's complement serial audio data from the internal and external ADCs.
<b>ADCIN1</b>	58	<b>External ADC Serial Input</b> ( <i>Input</i> ) - The CS42528 provides for up to two external stereo analog to digital converter inputs to provide a maximum of six channels on one serial data output line when the CS42528 is placed in One Line mode.
<b>ADCIN2</b>	57	
<b>OMCK</b>	59	<b>External Reference Clock</b> ( <i>Input</i> ) - External clock reference that must be within the ranges specified in the register "OMCK Frequency (OMCK Freqx)" on page 54.
<b>SAI_LRCK</b>	60	<b>Serial Audio Interface Left/Right Clock</b> ( <i>Input/Output</i> ) - Determines which channel, Left or Right, is currently active on the serial audio data line.
<b>SAI_SCLK</b>	61	<b>Serial Audio Interface Serial Clock</b> ( <i>Input/Output</i> ) - Serial clock for the Serial Audio Interface.

# IC 212 : A3V64S40ETP-G6 (64MXDRAM)

## Pin Configuration

54-pin Plastic TSOP (II)

VDD	1	○	54	VSS
DQ0	2		53	DQ15
VDDQ	3		52	VSSQ
DQ1	4		51	DQ14
DQ2	5		50	DQ13
VSSQ	6		49	VDDQ
DQ3	7		48	DQ12
DQ4	8		47	DQ11
VDDQ	9		46	VSSQ
DQ5	10		45	DQ10
DQ6	11		44	DQ9
VSSQ	12		43	VDDQ
DQ7	13		42	DQ8
VDD	14		41	VSS
DQML	15		40	NC
/WE	16		39	DQMU
/CAS	17		38	CLK
/RAS	18		37	CKE
/CS	19		36	NC
BA0	20		35	A11
BA1	21		34	A9
A10	22		33	A8
A0	23		32	A7
A1	24		31	A6
A2	25		30	A5
A3	26		29	A4
VDD	27		28	VSS

(Top view)

CLK : Master Clock  
 CKE : Clock Enable  
 /CS : Chip Select  
 /RAS : Row Address Strobe  
 /CAS : Column Address Strobe  
 /WE : Write Enable  
 DQ0-15 : Data I/O

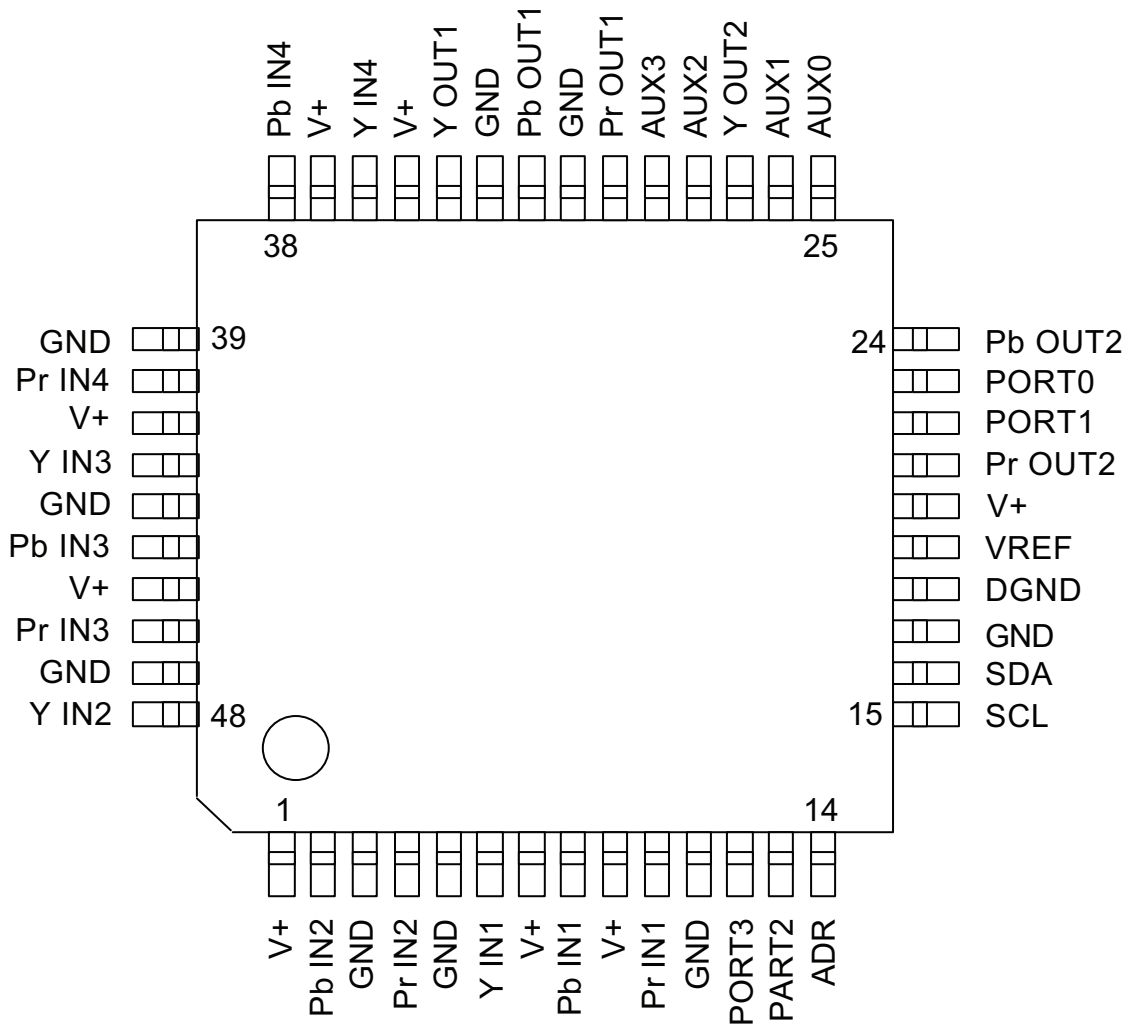
DQMU,L : Output Disable / Write Mask  
 A0-11 : Address Inpu  
 BA0,1 : Bank Address  
 Vdd : Power Supply  
 VddQ : Power Supply for Output  
 Vss : Ground  
 VssQ : Ground for Output

## Pin Descriptions

SYMBOL	TYPE	DESCRIPTION
CLK	Input	Clock: CLK is driven by the system clock. All SDRAM input signals are sampled on the positive edge of CLK. CLK also increments the internal burst counter and controls the output registers.
CKE	Input	Clock Enable: CKE activates (HIGH) and deactivates (LOW) the CLK signal. Deactivating the clock provides PRECHARGE POWER-DOWN and SELF REFRESH operation (all banks idle), ACTIVE POWER-DOWN (row active in any bank), DEEP POWER DOWN (all banks idle), or CLOCK SUSPEND operation (burst/access in progress). CKE is synchronous except after the device enters power-down and self refresh modes, where CKE becomes asynchronous until after exiting the same mode. The input buffers, including CLK, are disabled during power-down and self refresh modes, providing low standby power. CKE may be tied HIGH.
/CS	Input	Chip Select: /CS enables (registered LOW) and disables (registered HIGH) the command decoder. All commands are masked when /CS is registered HIGH. /CS provides for external bank selection on systems with multiple banks. /CS is considered part of the command code.
/CAS, /RAS, /WE	Input	Command Inputs: /CAS, /RAS, and /WE (along with /CS) define the command being entered.
DQML, DQMU	Input	Input/Output Mask: DQM is sampled HIGH and is an input mask signal for write accesses and an output enable signal for read accesses. Input data is masked during a WRITE cycle. The output buffers are placed in a High-Z state (two-clock latency) when during a READ cycle. DQML corresponds to DQ0–DQ7, DQMU corresponds to DQ8–DQ15.
BA0, BA1	Input	Bank Address Input(s): BA0 and BA1 define to which bank the ACTIVE, READ, WRITE or PRECHARGE command is being applied. These pins also select between the mode register and the extended mode register.
A0–A11	Input	A0-11 specify the Row / Column Address in conjunction with BA0,1. The Row Address is specified by A0-11. The Column Address is specified by A0-7. A10 is also used to indicate precharge option. When A10 is high at a read / write command, an auto precharge is performed. When A10 is high at a precharge command, all banks are precharged.
DQ0–DQ15	I/O	Data Input/Output: Data bus.
NC	–	Internally Not Connected: These could be left unconnected, but it is recommended they be connected or Vss.
VDDQ	Supply	DQ Power: Provide isolated power to DQs for improved noise immunity.
VSSQ	Supply	DQ Ground: Provide isolated ground to DQs for improved noise immunity.
VDD	Supply	Core Power Supply.
VSS	Supply	Ground.

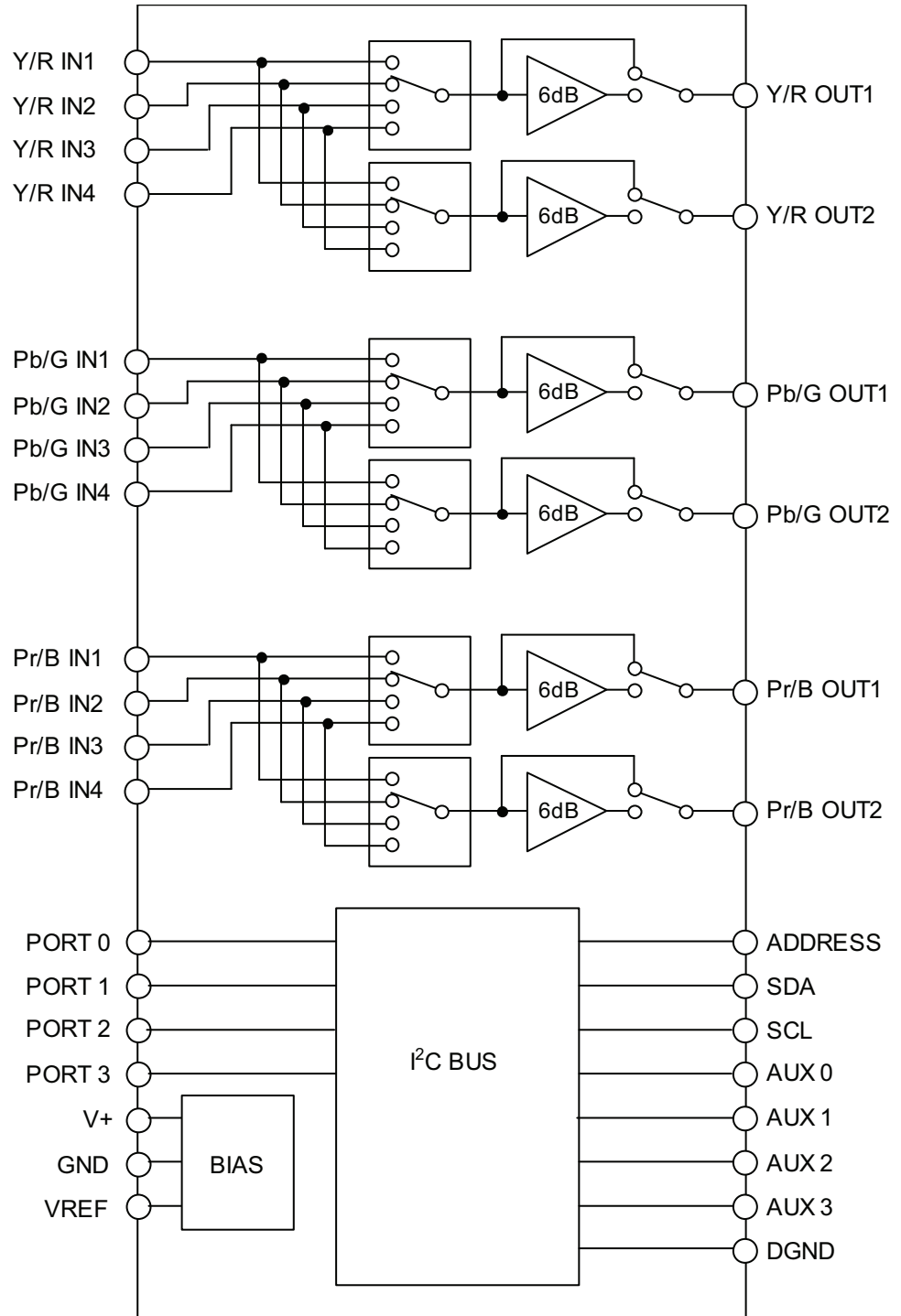
# IC 451 : NJW1321FP1C

## PIN CONFIGURATION



1. V+	13. PORT2	25. AUX0	37. V+
2. Pb IN2	14. ADR	26. AUX1	38. Pb IN4
3. GND	15. SCL	27. Y OUT2	39. GND
4. Pr IN2	16. SDA	28. AUX2	40. Pr IN4
5. GND	17. GND	29. AUX3	41. V+
6. Y IN1	18. DGND	30. Pr OUT1	42. Y IN3
7. V+	19. VREG	31. GND	43. GND
8. Pb IN1	20. V+	32. Pb OUT1	44. Pb IN3
9. V+	21. Pr OUT2	33. GND	45. V+
10. Pr IN1	22. PORT1	34. Y OUT1	46. Pr IN3
11. GND	23. PORT 0	35. V+	47. GND
12. PORT3	24. Pb OUT2	36. Y IN4	48. Y IN2

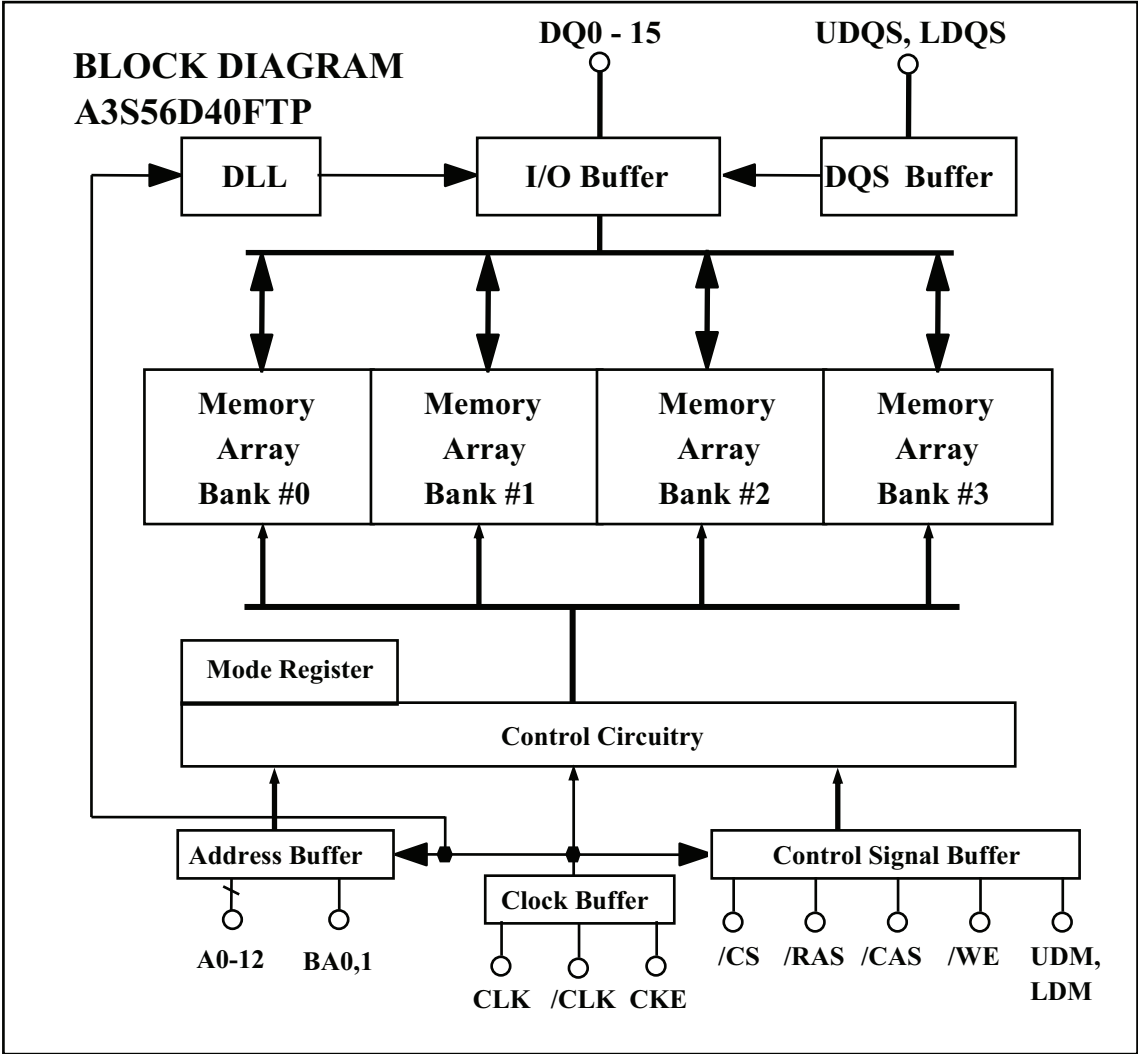
**BLOCK DIAGRAM**



## IC 912 : A3S56D40FTPG5 (HDMI / DDR SDRAM)

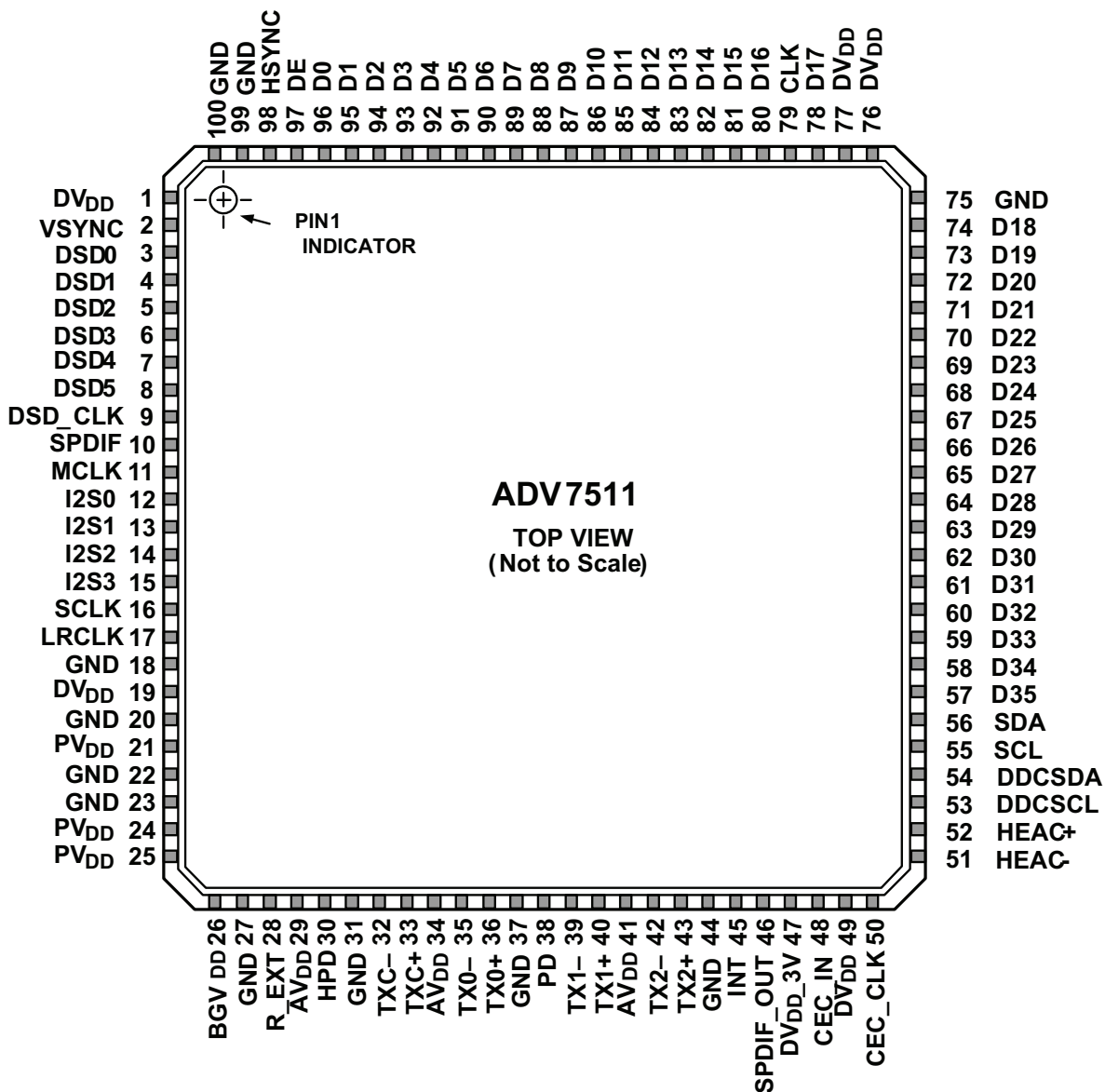
### PIN FUNCTION

SYMBOL	TYPE	DESCRIPTION
CLK, /CLK	Input	Clock: CLK and /CLK are differential clock inputs. All address and control input signals are sampled on the crossing of the positive edge of CLK and negative edge of /CLK. Output (read) data is referenced to the crossings of CLK and /CLK (both directions of crossing).
CKE	Input	Clock Enable: CKE controls Power Down and Self Refresh. Taking CKE LOW provides Precharge Power Down or Self Refresh (all banks idle), or Active Power Down (row active in any bank). Taking CKE HIGH provides Power Down exit or Self Refresh exit. After Self Refresh is started, CKE becomes asynchronous input. Power Down and Self Refresh is maintained as long as CKE is LOW.
/CS	Input	Chip Select: When /CS is HIGH, any command means No Operation.
/RAS, /CAS, /WE	Input	Combination of /RAS, /CAS, /WE defines basic commands.
A0-12	Input	A0-12 specify the Row / Column Address in conjunction with BA0,1. The Row Address is specified by A0-12. The Column Address is specified by A0-9(x8) and A0-8(x16). A10 is also used to indicate precharge option. When A10 is HIGH at a Read / Write command, an Auto Precharge is performed. When A10 is HIGH at a Precharge command, all banks are precharged.
BA0,1	Input	Bank Address: BA0,1 specifies one of four banks to which a command is applied. BA0,1 must be set with Active, Precharge, Read, Write commands.
DQ0-7 (x8), DQ0-15 (x16),	Input / Output	Data Input/Output: Data bus
DQS (x8) UDQS, LDQS (x16)	Input / Output	Data Strobe: Output with read data, input with write data. Edge-aligned with read data, centered in write data. Used to capture write data. For the x16, LDQS corresponds to the data on DQ0-DQ7; UDQS correspond to the data on DQ8-DQ15
DM (x8) UDM, LDM (x16)	Input	Input Data Mask: DM is an input mask signal for write data. Input data is masked when DM is sampled HIGH along with that input data during a write access. DM is sampled on both edges of DQS. Although DM pins are input only, the DM loading matches the DQ and DQS loading. For the x16, LDM corresponds to the data on DQ0-DQ7; UDM corresponds to the data on DQ8-DQ15.
Vdd, Vss	Power Supply	Power Supply for the memory array and peripheral circuitry.
VddQ, VssQ	Power Supply	VddQ and VssQ are supplied to DQ, DQS buffers.
VREF	Input	SSTL_2 reference voltage.



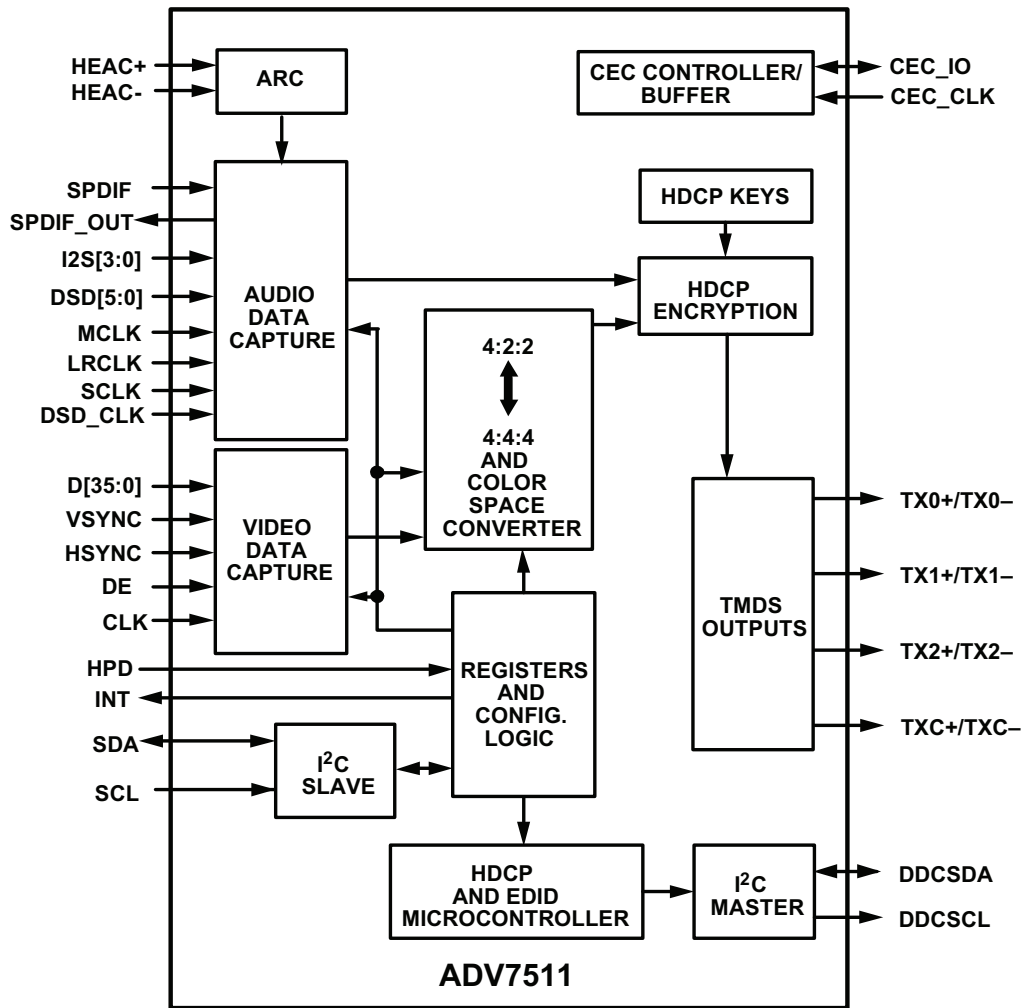
# IC 915 : ADV7511KSTZ (HDMI 1.4TX)

## PIN AND PACKAGE INFORMATION





# BLOCK DIAGRAMS



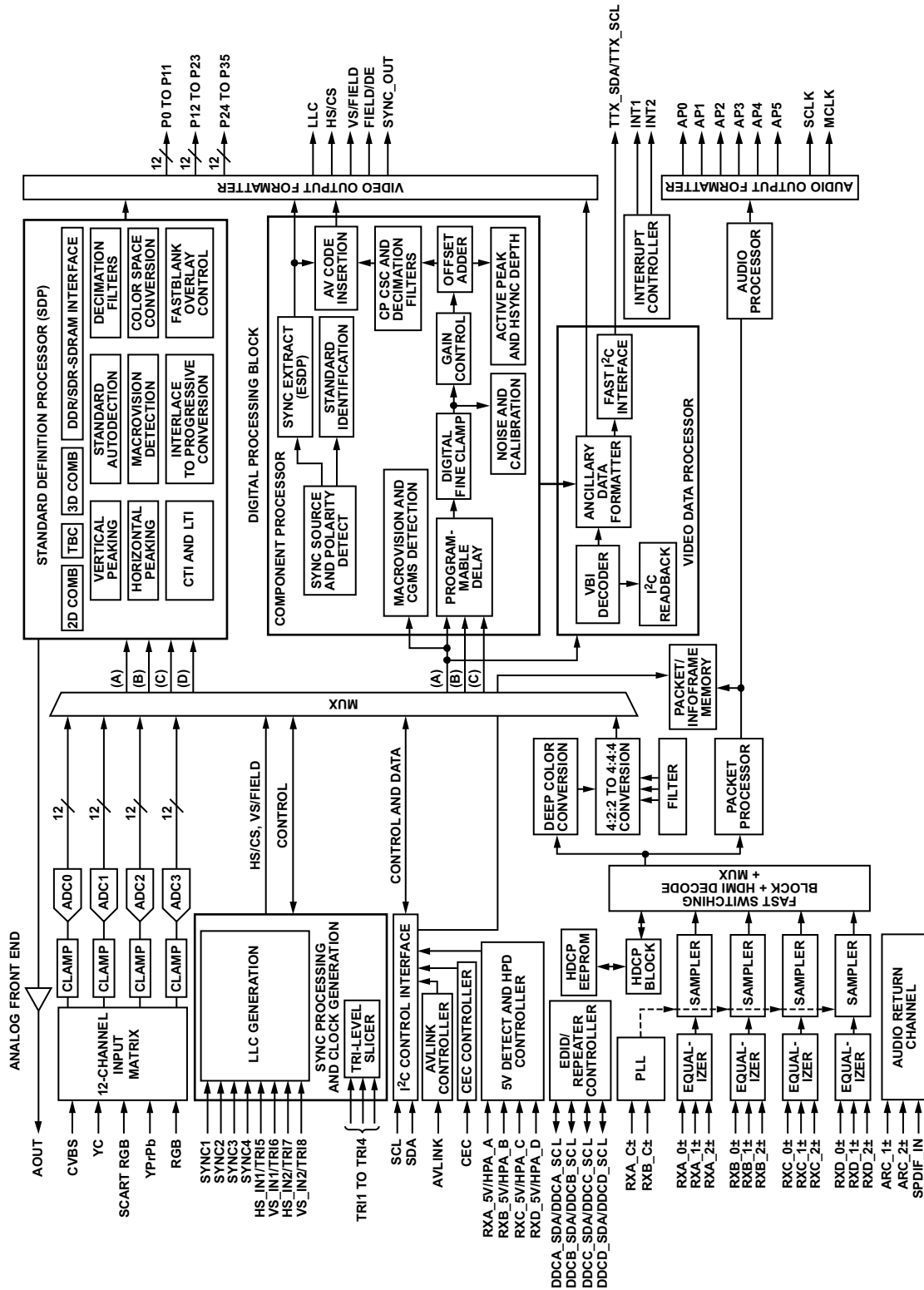
# IC 911 : ADV7844KBCZ (HDMI Processor & ADC & DECODER)

## PIN CONFIGURATION AND FUNCTION DESCRIPTIONS

	1	2	3	4	5	6	7	8	9	10	11	12	13	14	15	16	17	18	19	20	21	22	23	
A	GND	VS/FIELD	TEST6	TEST7	TVDD	RXD_2-	RXD_1-	RXD_0-	RXD_C-	ARC_2-	TVDD	RXC_2-	RXC_1-	RXC_0-	RXC_C-	NC	TVDD	RXB_2-	RXB_1-	RXB_0-	RXB_C-	ARC_1-	GND	A
B	HS/CS	FIELD/IDE	TEST8	TEST9	TVDD	RXD_2+	RXD_1+	RXD_0+	RXD_C+	ARC_2+	TVDD	RXC_2+	RXC_1+	RXC_0+	RXC_C+	NC	TVDD	RXB_2+	RXB_1+	RXB_0+	RXB_C+	ARC_1+	GND	B
C	P0	P1	TEST10	TEST11	TVDD	PWRDN1	TEST14	HPA_D	RXD_5V	RXC_5V	TVDD	GND	GND	GND	GND	GND	TVDD	TVDD	TVDD	TVDD	TVDD	TVDD	TVDD	C
D	P2	P3	TEST12	TEST13	TVDD	SYNC_OUT	CEC	HPA_C	RXB_5V	HPA_B	TVDD	RXA_5V	HPA_A	DDCD_SDA	DDCD_SCL	DDCC_SDA	DDCC_SCL	RTERM	DDCB_SDA	DDCB_SCL	TVDD	RXA_0+	RXA_2-	D
E	DVDDIO	DVDDIO	GND	GND																DDCA_SDA	CVDD	RXA_1+	RXA_1-	E
F	P5	P4	EP_MISO	EP_MOSI																DDCA_SCL	CVDD	RXA_0+	RXA_0-	F
G	P7	P6	EP_CS	EP_SCK			GND	GND	GND	GND	TEST1	TEST2	GND	GND	CVDD	CVDD	CVDD			VGA_SCL	CVDD	RXA_C+	RXA_C-	G
H	P9	P8	TTX_SDA	TTX_SCL			GND	GND	GND	GND	GND	GND	GND	GND	CVDD	CVDD	CVDD			VGA_SDA	CVDD	NC	NC	H
J	P11	P10	MCLK	AP0			GND	GND	GND	GND	GND	GND	GND	GND	GND	GND	GND			PVDD	TEST3	GND	GND	J
K	P13	P12	AP5	SCLK			VDD	GND	GND	GND	GND	GND	GND	GND	GND	GND	GND			PVDD	GND	XTALN	XTALP	K
L	DVDDIO	DVDDIO	GND	GND			VDD	GND	GND	GND	GND	GND	GND	GND	GND	GND	GND			GND	GND	GND	GND	L
M	P15	P14	AP4	AP3			VDD	GND	GND	GND	GND	GND	GND	GND	GND	GND	GND			GND	GND	REFN	REFP	M
N	P17	P16	AP2	AP1			VDD	GND	GND	GND	GND	GND	GND	GND	GND	GND	GND			AVDD	AVDD	AVDD	AVDD	N
P	P18	P19	SCL	SDA			VDD	GND	GND	GND	GND	GND	GND	GND	GND	GND	GND			AVDD	AVDD	AIN11	AIN12	P
R	P20	P21	TEST4	INT1			VDD	GND	GND	GND	GND	GND	GND	GND	GND	GND	GND			HS_IN2/TR17	VS_IN2/TR18	SYNC4	AIN10	R
T	P22	P23	TEST5	INT2			VDD	GND	GND	GND	GND	GND	GND	GND	GND	GND	GND			GND	GND	GND	GND	T
U	DVDDIO	DVDDIO	DVDDIO	DVDDIO			VDD	VDD	VDD	VDD	VDD	VDD	VDD	VDD	GND	GND	GND			TRI4	TRI3	AIN9	AIN8	U
V	LLC	P24	RESET	AVLINK																TRI1	TRI2	SYNC3	AIN7	V
W	P25	P26	NC	SPDIF_IN																AVDD	AVDD	AVDD	AVDD	W
Y	P27	P28	GND	GND	GND	VDD_SDRAM	SDRAM_A11	SDRAM_A6	SDRAM_A2	SDRAM_CS	SDRAM_LDQS	GND	SDRAM_D08	SDRAM_D02	SDRAM_D015	SDRAM_D011	SDRAM_CKE	VDD_SDRAM	GND	AOUT	NC	AIN5	AIN6	Y
AA	P29	P30	GND	GND	GND	VDD_SDRAM	SDRAM_A9	SDRAM_A5	SDRAM_A1	SDRAM_RAS	SDRAM_DQ7	GND	SDRAM_D05	SDRAM_D01	SDRAM_D012	SDRAM_D08	SDRAM_CK	VDD_SDRAM	GND	NC	NC	SYNC2	AIN4	AA
AB	P31	P32	P34	NC	GND	DVDDIO	SDRAM_A8	SDRAM_A4	SDRAM_A0	SDRAM_BA1	SDRAM_CAS	VDD_SDRAM	SDRAM_D04	SDRAM_D00	SDRAM_D013	SDRAM_D09	SDRAM_CK	VDD_SDRAM	GND	SYNC1	HS_IN1/TR15	VS_IN1/TR16	GND	AB
AC	GND	P33	P35	NC	GND	DVDDIO	SDRAM_A7	SDRAM_A3	SDRAM_A10	SDRAM_BA0	SDRAM_WE	VDD_SDRAM	SDRAM_D03	SDRAM_VREF	SDRAM_D014	SDRAM_D010	SDRAM_UDQS	VDD_SDRAM	GND	AIN1	AIN2	AIN3	GND	AC

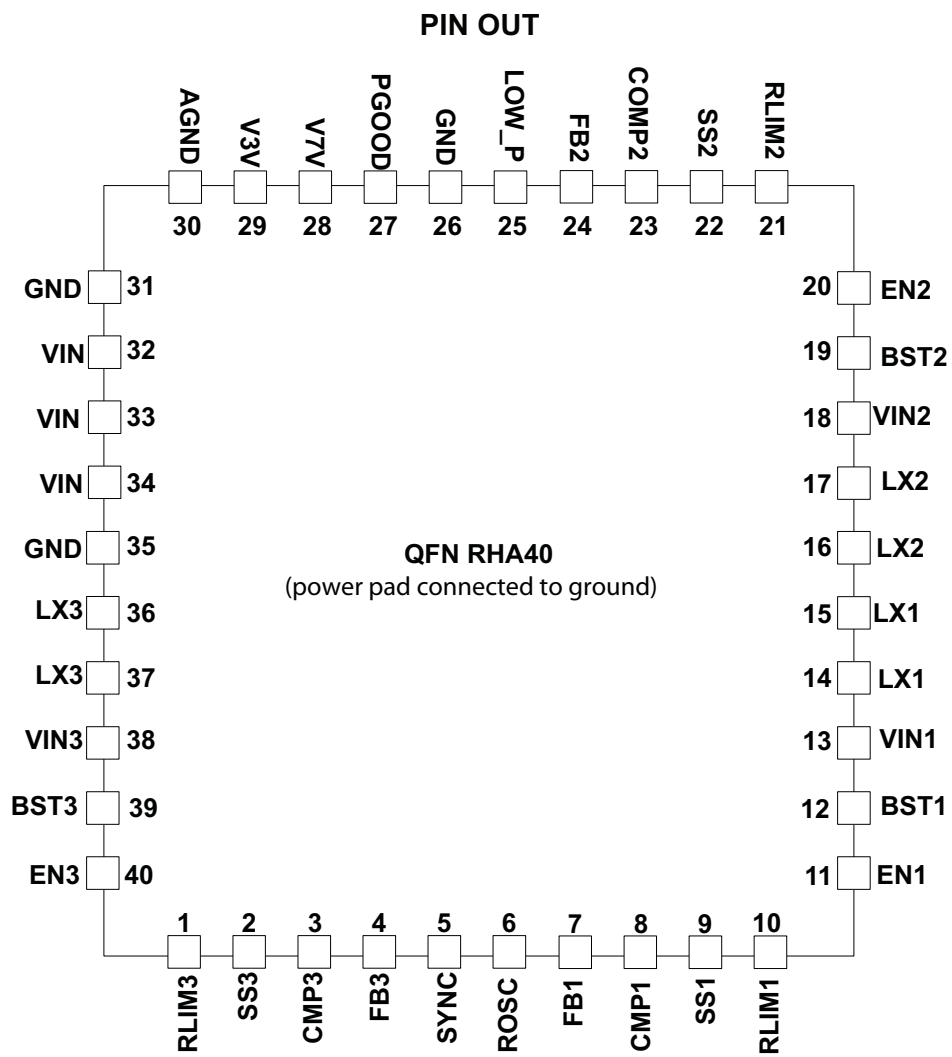
08B50-007

# DETAILED FUNCTIONAL BLOCK DIAGRAM



# IC 951 : TPS65251RHAR

## IC PIN DESCRIPTION



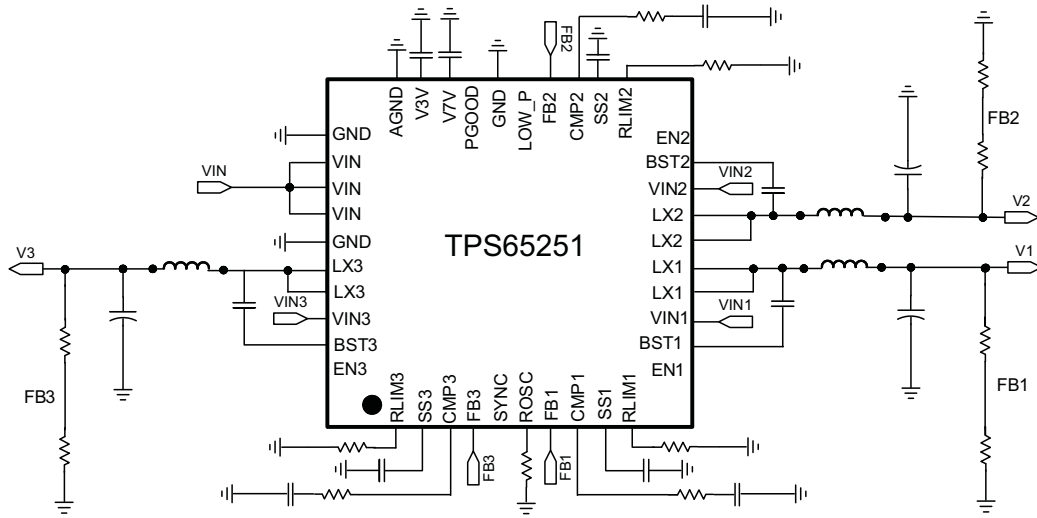
### TERMINAL FUNCTIONS (DCA)

NAME	NO.	I/O	DESCRIPTION
RLIM3	1	I	Current limit setting for Buck 3. Fit a resistor from this pin to ground to set the peak current limit on the output inductor.
SS3	2	I	Soft start pin for Buck 3. Fit a small ceramic capacitor to this pin to set the converter soft start time.
COMP3	3	O	Compensation for Buck 3. Fit a series RC circuit to this pin to complete the compensation circuit of this converter.
FB3	4	I	Feedback input for Buck 3. Connect a divider set to 0.8V from the output of the converter to ground.
SYNC	5	I	Synchronous clock input. If there is a sync clock in the system, connect to the pin. When not used connect to GND.
ROSC	6	I	Oscillator set. This resistor sets the frequency of internal autonomous clock. If external synchronization is used resistor should be fitted and set to ~70% of external clock frequency.
FB1	7	I	Feedback pin for Buck 1. Connect a divider set to 0.8 V from the output of the converter to ground.
COMP1	8	O	Compensation pin for Buck 1. Fit a series RC circuit to this pin to complete the compensation circuit of this converter.
SS1	9	I	Soft start pin for Buck 1. Fit a small ceramic capacitor to this pin to set the converter soft start time.
RLIM1	10	I	Current limit setting pin for Buck 1. Fit a resistor from this pin to ground to set the peak current limit on the output inductor.
EN1	11	I	Enable pin for Buck 1. A low level signal on this pin disables it. If pin is left open a weak internal pull-up to V3V will allow for automatic enable. For a delayed start-up add a small ceramic capacitor from this pin to ground.
BST1	12	I	Bootstrap capacitor for Buck 1. Fit a 47-nF ceramic capacitor from this pin to the switching node.
VIN1	13	I	Input supply for Buck 1. Fit a 10- $\mu$ F ceramic capacitor close to this pin.
LX1	14, 15	O	Switching node for Buck 1
LX2	16, 17	O	Switching node for Buck 2
VIN2	18	I	Input supply for Buck 2. Fit a 10- $\mu$ F ceramic capacitor close to this pin.
BST2	19	I	Bootstrap capacitor for Buck 2. Fit a 47-nF ceramic capacitor from this pin to the switching node.
EN2	20	I	Enable pin for Buck 2. A low level signal on this pin disables it. If pin is left open a weak internal pull-up to V3V will allow for automatic enable. For a delayed start-up add a small ceramic capacitor from this pin to ground.
RLIM2	21	I	Current limit setting for Buck 2. Fit a resistor from this pin to ground to set the peak current limit on the output inductor.
SS2	22	I	Soft start pin for Buck 2. Fit a small ceramic capacitor to this pin to set the converter soft start time.
COMP2	23	O	Compensation pin for Buck 2. Fit a series RC circuit to this pin to complete the compensation circuit of this converter
FB2	24	I	Feedback input for Buck 2. Connect a divider set to 0.8 V from the output of the converter to ground.
LOW_P	25	I	Low power operation mode(active high) input for TPS65251
GND	26		Ground pin
PGOOD	27	O	Power good. Open drain output asserted after all converters are sequenced and within regulation. Polarity is factory selectable (active high default).
V7V	28	O	Internal supply. Connect a 10- $\mu$ F ceramic capacitor from this pin to ground.
V3V	29	O	Internal supply. Connect a 10- $\mu$ F ceramic capacitor from this pin to ground.
AGND	30		Analog ground. Connect all GND pins and the power pad together.
GND	31		Ground pin

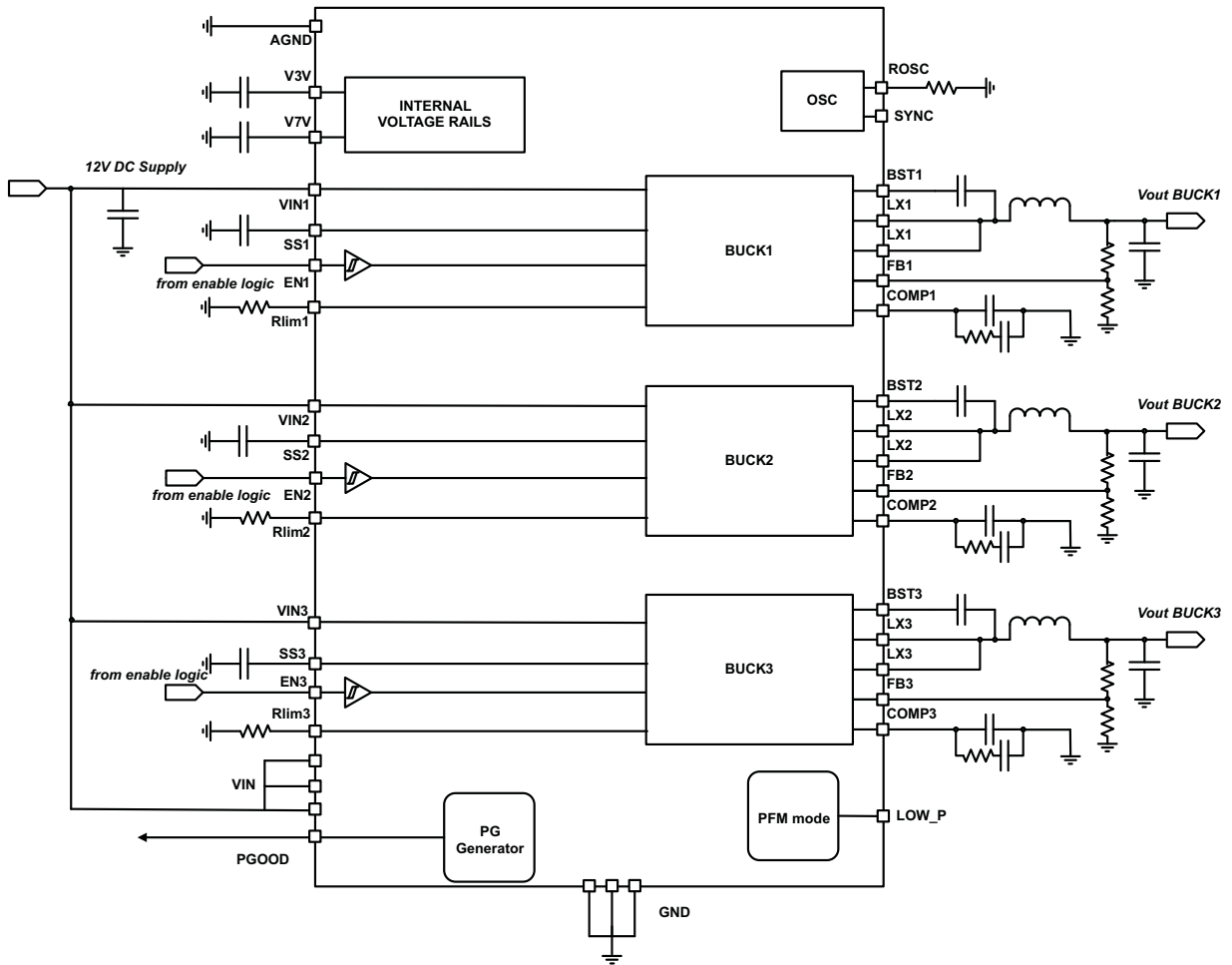
**TERMINAL FUNCTIONS (DCA) (continued)**

<b>NAME</b>	<b>NO.</b>	<b>I/O</b>	<b>DESCRIPTION</b>
VIN	32	I	Input supply
VIN	33	I	Input supply
VIN	34	I	Input supply
GND	35		Ground pin
LX3	36, 37	O	Switching node for Buck 3
VIN3	38		Input supply for Buck 3. Fit a 10- $\mu$ F ceramic capacitor close to this pin.
BST3	39	I	Bootstrap capacitor for Buck 3. Fit a 47-nF ceramic capacitor from this pin to the switching node.
EN3	40	I	Enable pin for Buck 3. A low level signal on this pin disables it. If pin is left open a weak internal pull-up to V3V will allow for automatic enable. For a delayed start-up add a small ceramic capacitor from this pin to ground.
PAD			Power pad. Connect to ground.

# IC BLOCK DIAGRAMS

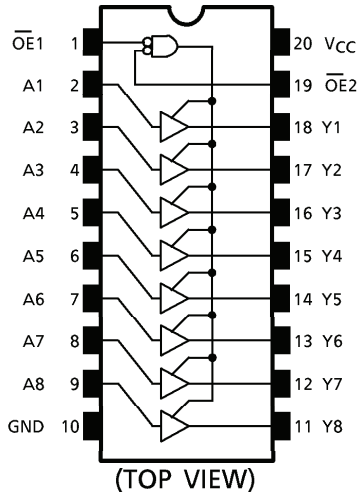


## FUNCTIONAL BLOCK DIAGRAM

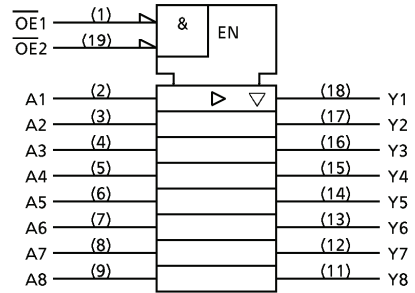


# IC 913, IC 918 : TC74VCX541FT (OCTAL BUS BUFFER)

## PIN ASSIGNMENT



## IEC LOGIC SYMBOL



## TRUTH TABLE

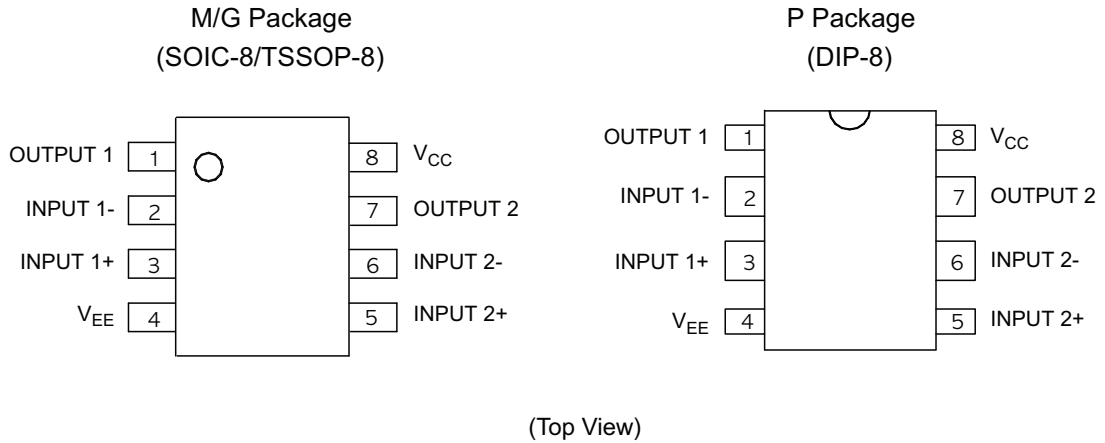
INPUTS			OUTPUTS
OE1	OE2	An	
H	X	X	Z
X	H	X	Z
L	L	H	H
L	L	L	L

X : Don't Care  
Z : High Impedance

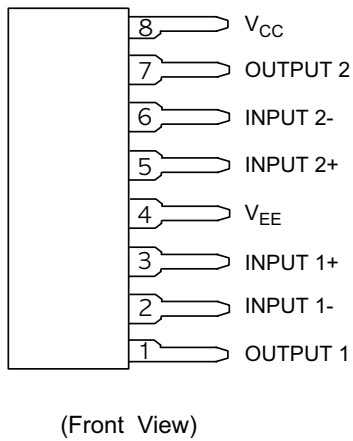


# IC 332 : AZ4580M (DUAL LOW NOISE OPERATIONAL AMPLIFIERS)

## Pin Configuration



## Q Package (SIP-8)

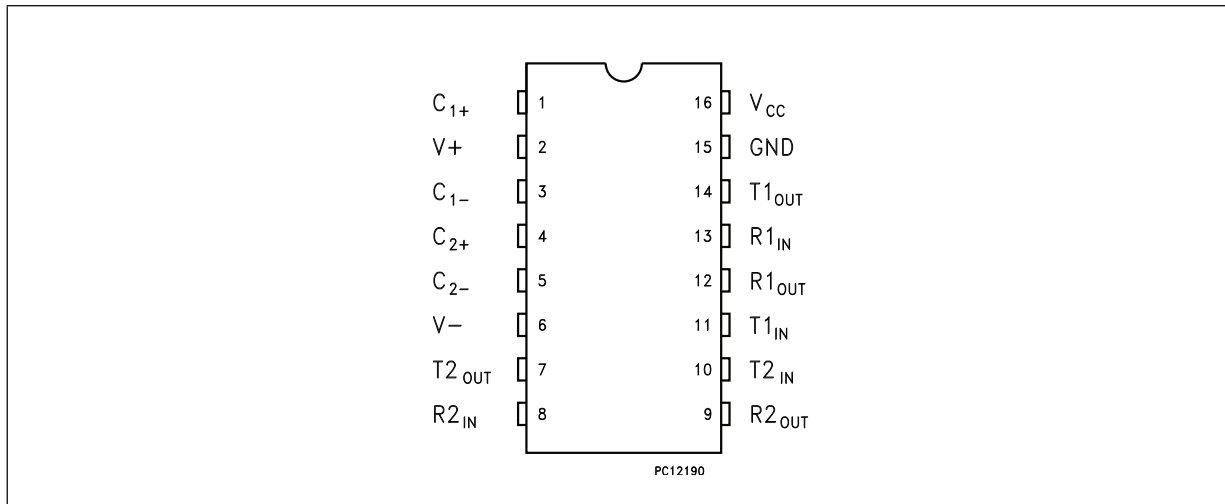


## Pin Description

Pin No.	Function	Pin No.	Function	Pin No.	Function	Pin No.	Function
1	OUTPUT 1	2	INPUT 1-	3	INPUT 1+	4	$V_{EE}$
5	INPUT 2+	6	INPUT 2-	7	OUTPUT 2	8	$V_{CC}$

## Pin configuration

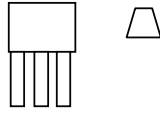
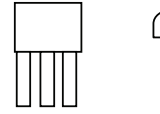
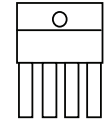

### Pin connection

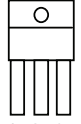
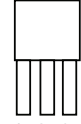
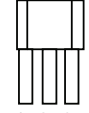


### Pin description

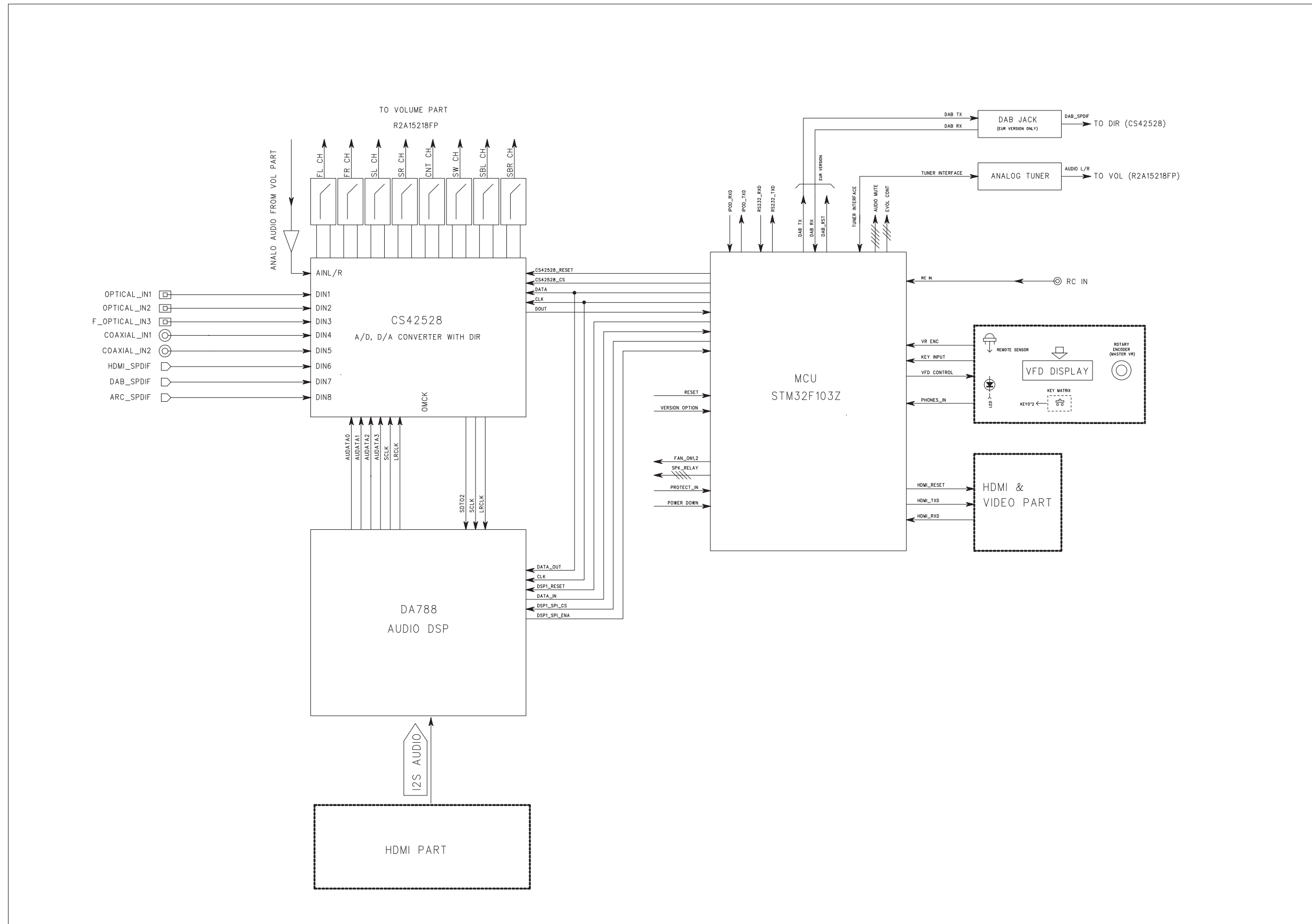
Pin N°	Symbol	Name and function
1	C <sub>1+</sub>	Positive terminal for the first charge pump capacitor
2	V+	Doubled voltage terminal
3	C <sub>1-</sub>	Negative Terminal for the first charge pump capacitor
4	C <sub>2+</sub>	Positive terminal for the second charge pump capacitor
5	C <sub>2-</sub>	Negative terminal for the second charge pump capacitor
6	V-	Inverted voltage terminal
7	T <sub>2</sub> OUT	Second transmitter output voltage
8	R <sub>2</sub> IN	Second receiver input voltage
9	R <sub>2</sub> OUT	Second receiver output voltage
10	T <sub>2</sub> IN	Second transmitter input voltage
11	T <sub>1</sub> IN	First transmitter input voltage
12	R <sub>1</sub> OUT	First receiver output voltage
13	R <sub>1</sub> IN	First receiver input voltage
14	T <sub>1</sub> OUT	First transmitter output voltage
15	GND	Ground
16	V <sub>CC</sub>	Supply voltage

# TRANSISTOR, REGULATOR IC BLOCK DIAGRAM

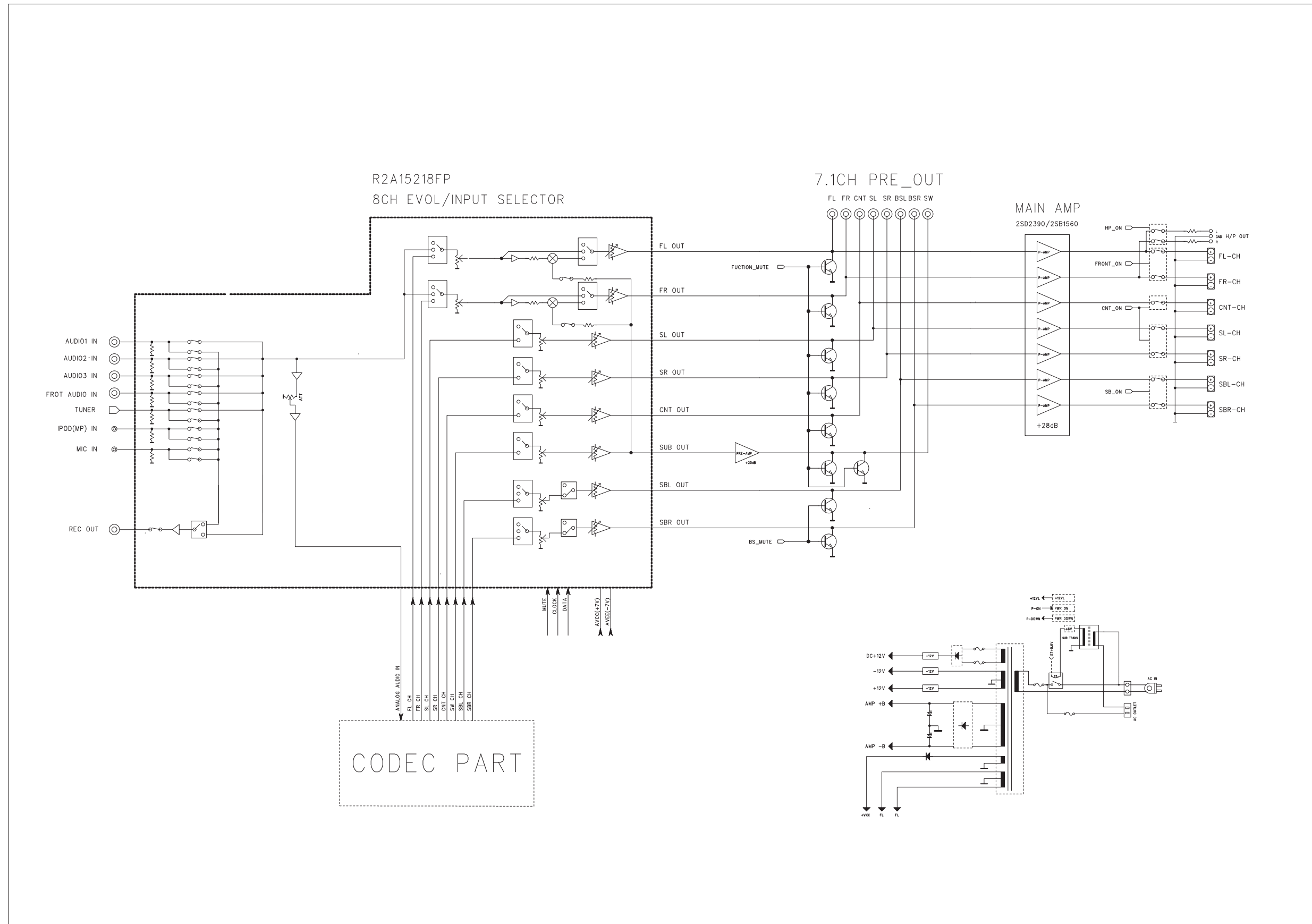
<p>TO- 92S</p>  <p>1 2 3</p> <p>KSC2785Y    KRC107M KSA1175Y    KTC2875Y KRC111M     KSB811Y</p>	<p>TO- 92</p>  <p>1 2 3</p> <p>KTC3200GR    KTA1271Y KTA1268GR    KTC3199Y KTC3203Y</p>	<p>TO- 220</p>  <p>1 2 3</p> <p>KIA378R00    KIA578R05 KIA278R12</p>	<p>TO- 220</p>  <p>1 2 3</p> <p>KIA78DL05    KIA7905 KIA278R05    KIA7909 KIA7809</p>
--	--	---	--

<p>SOT- 23</p>  <p>1 2 3</p> <p>KRA102S    KRC107S KRC102S    KRC103S KTD1304    KRC111S</p>	<p>TO- 3P</p>  <p>1 2 3</p> <p>2SB1647 2SD2560</p>	<p>TO- 92L</p>  <p>1 2 3</p> <p>KSC2316Y KTD1028B</p>	<p>1. Emitter 2. Collector 3. Base</p>
--	---	--	--

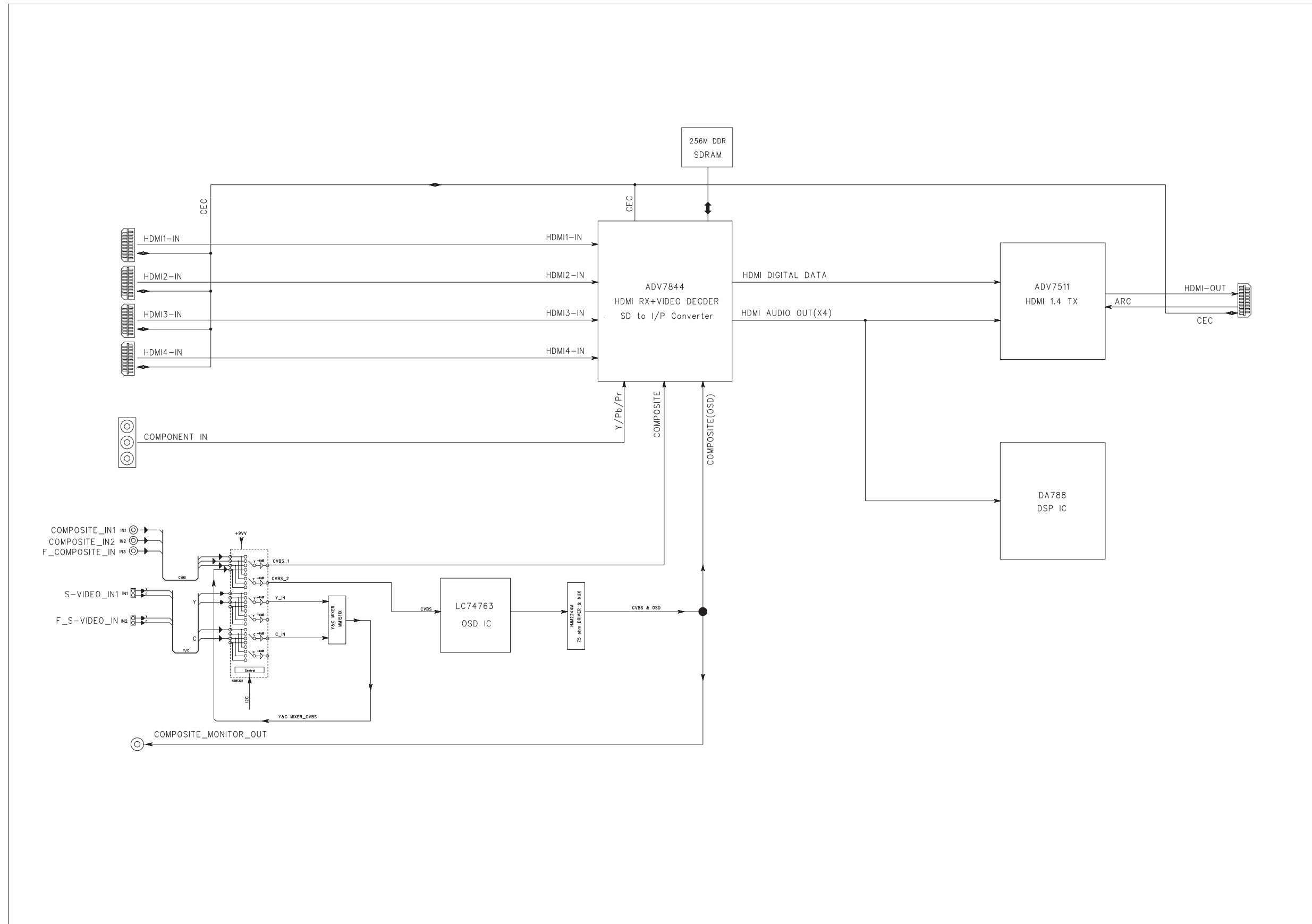
# BLOCK DIAGRAM (MCU & DSP PART)



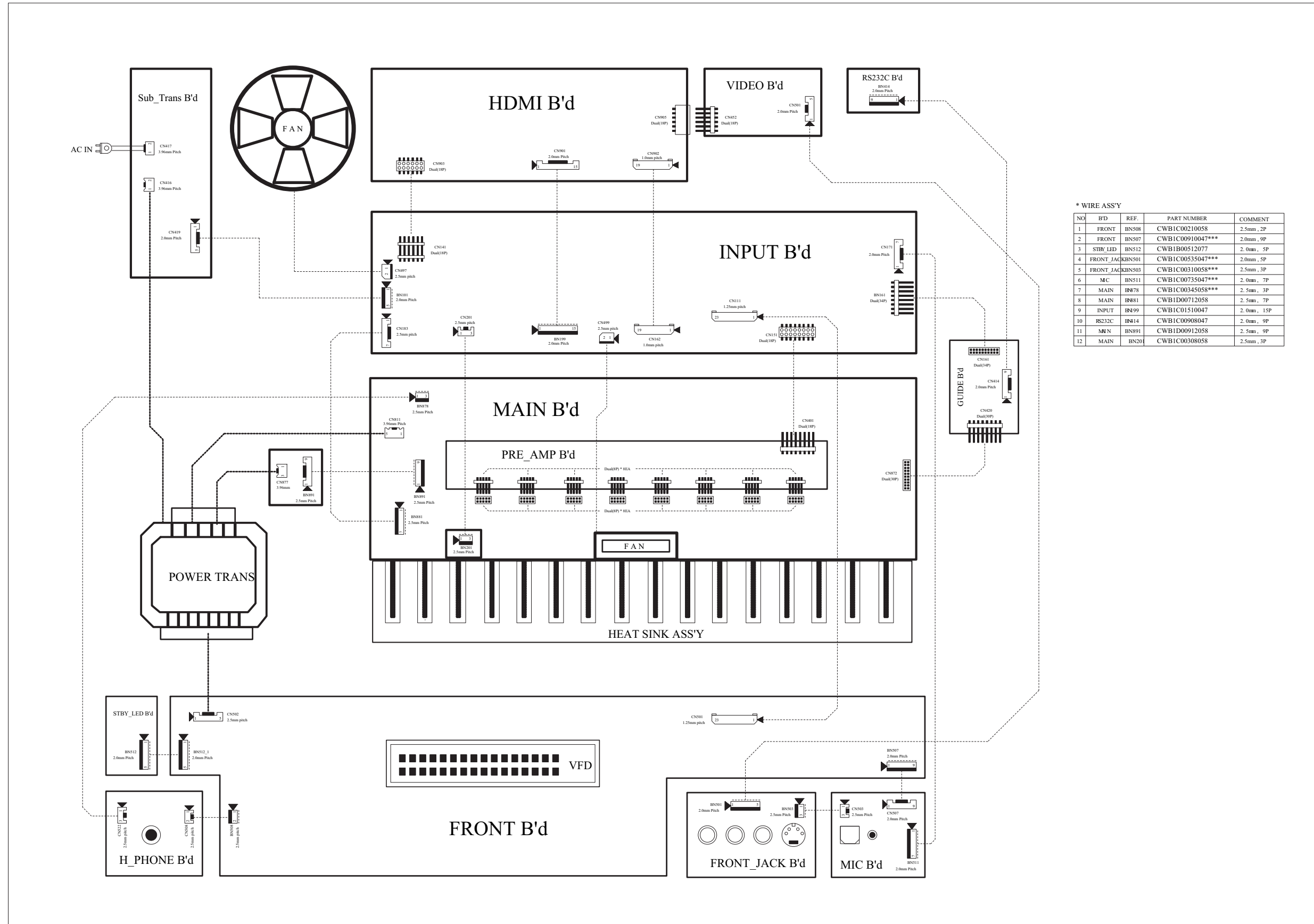
# BLOCK DIAGRAM (AUDIO PART)



# BLOCK DIAGRAM (HDMI PART)



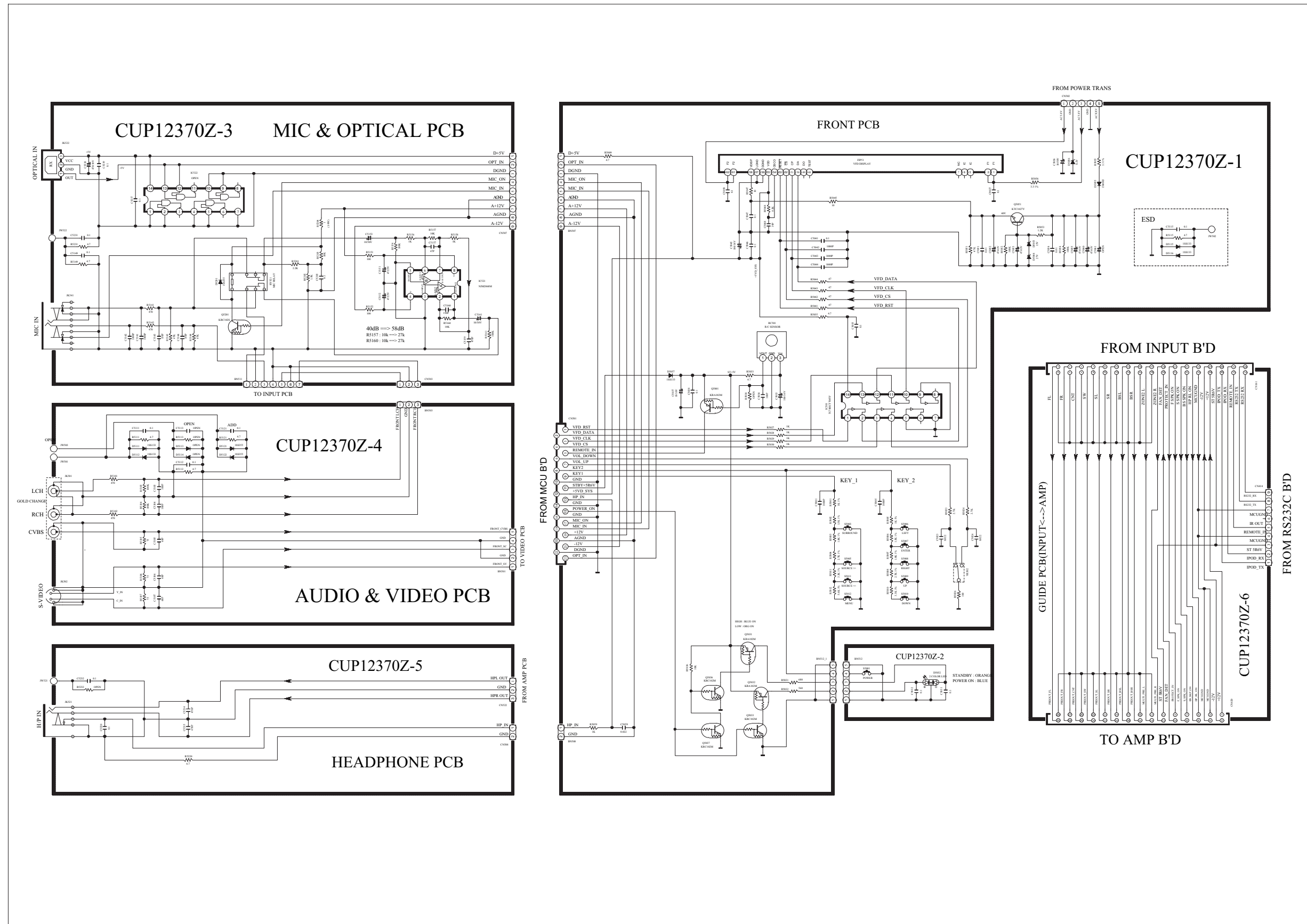
# WIRING DIAGRAM



**\* WIRE ASS'Y**

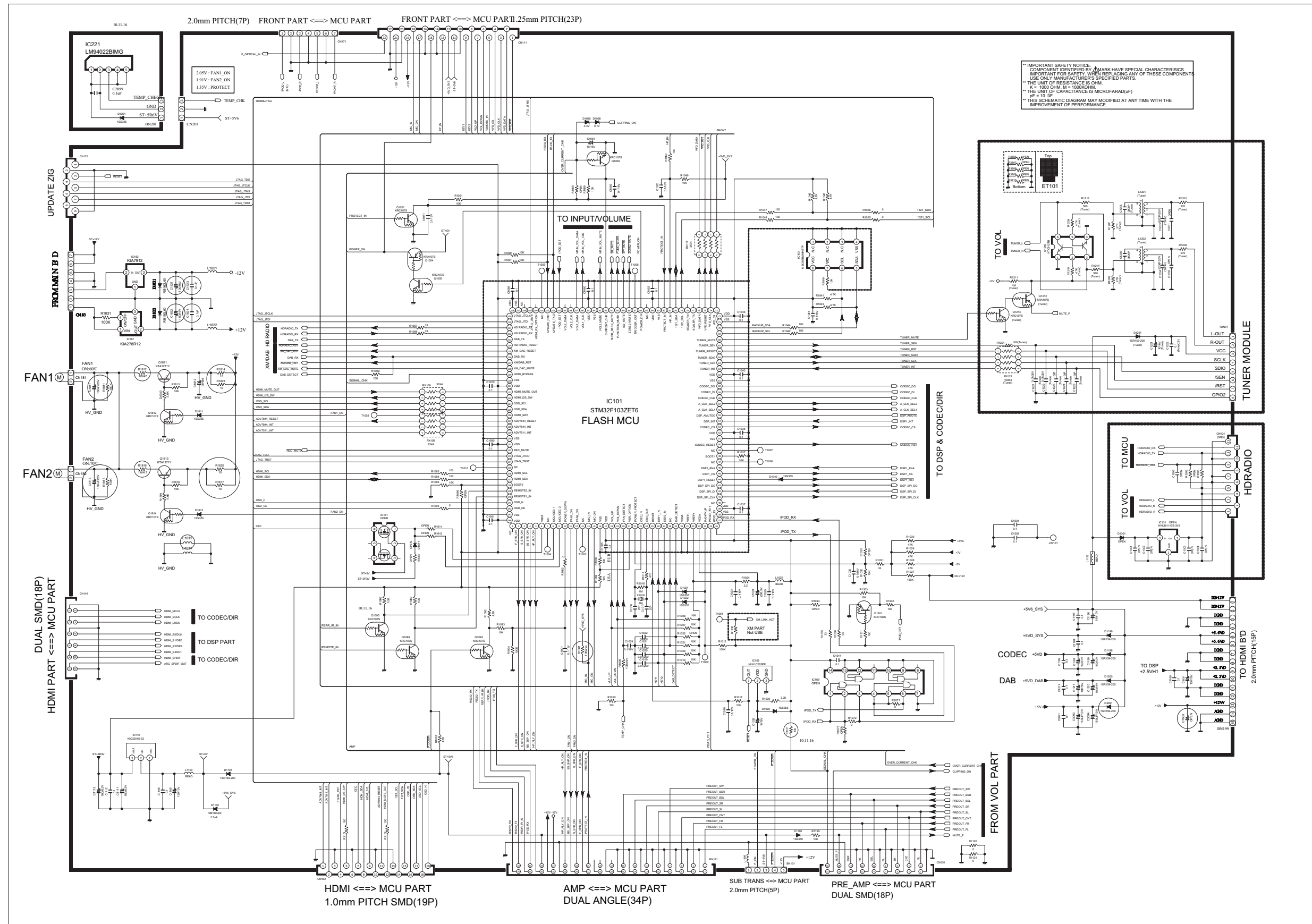
NO	B'D	REF.	PART NUMBER	COMMENT
1	FRONT	BN508	CWB1C00210058	2.5mm , 2P
2	FRONT	BN507	CWB1C00910047***	2.0mm , 9P
3	STBY_LED	BN512	CWB1B00512077	2.0mm , 5P
4	FRONT_JACK	BN501	CWB1C00535047***	2.0mm , 5P
5	FRONT_JACK	BN503	CWB1C00310058***	2.5mm , 3P
6	MC	BN511	CWB1C00735047***	2.0mm , 7P
7	MAIN	BN878	CWB1C00345058***	2.5mm , 3P
8	MAIN	BN881	CWB1D00712058	2.5mm , 7P
9	INPUT	BN499	CWB1C01510047	2.0mm , 15P
10	RS232C	BN414	CWB1C00908047	2.0mm , 9P
11	MAIN	BN891	CWB1D00912058	2.5mm , 9P
12	MAIN	BN201	CWB1C00308058	2.5mm , 3P

# SCHEMATIC DIAGRAM (FRONT PART)

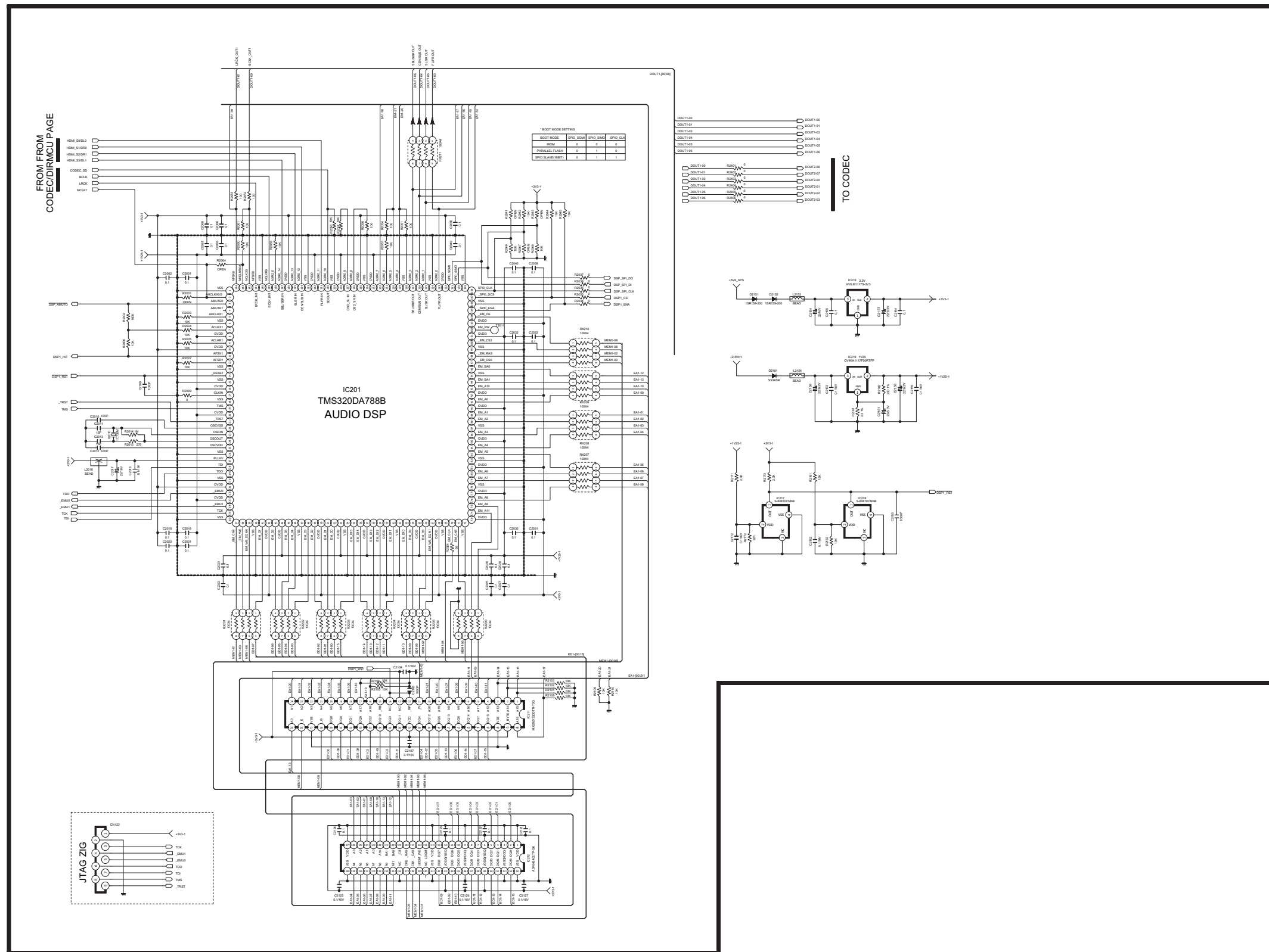




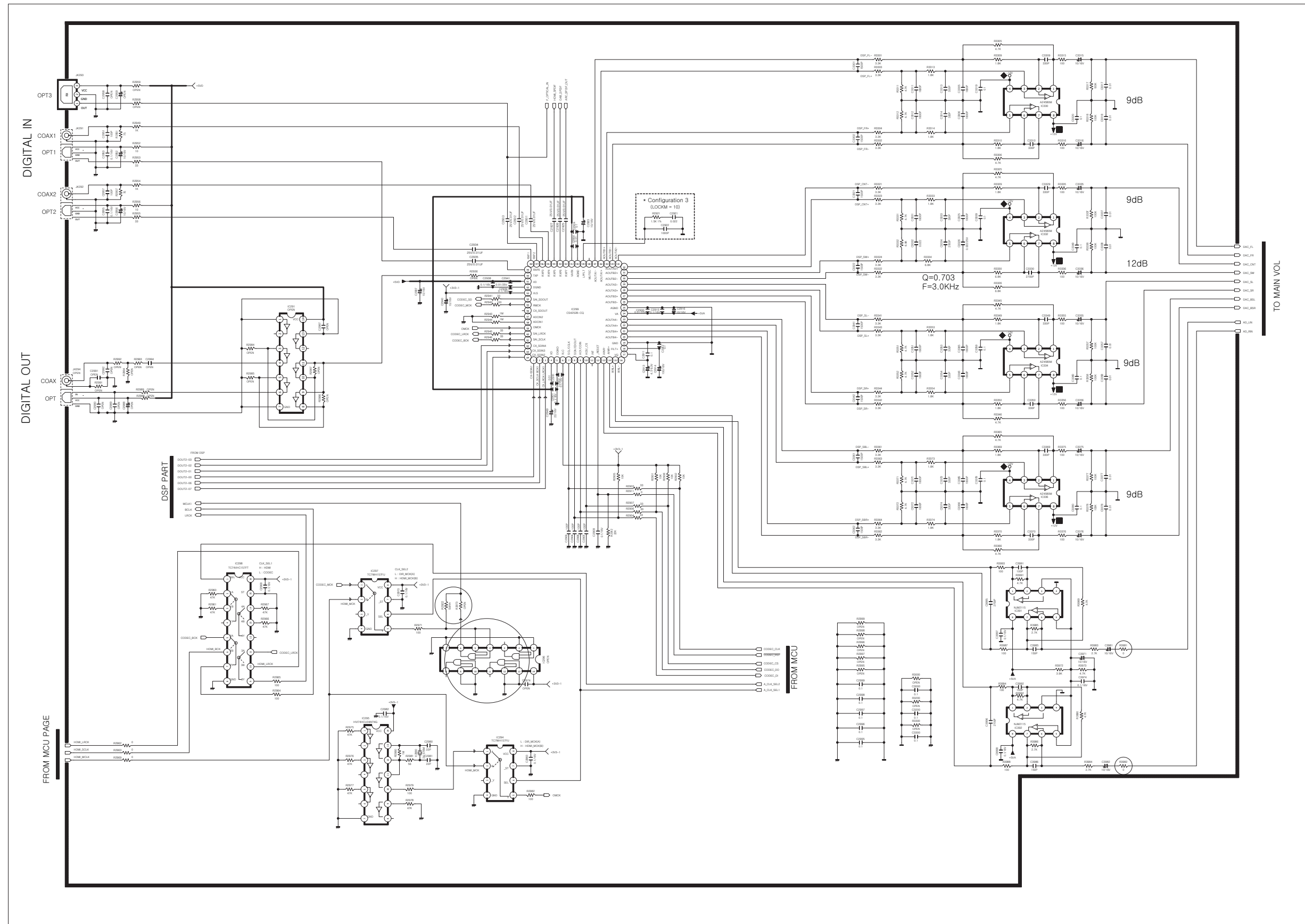
# SCHEMATIC DIAGRAM (MCU PART)



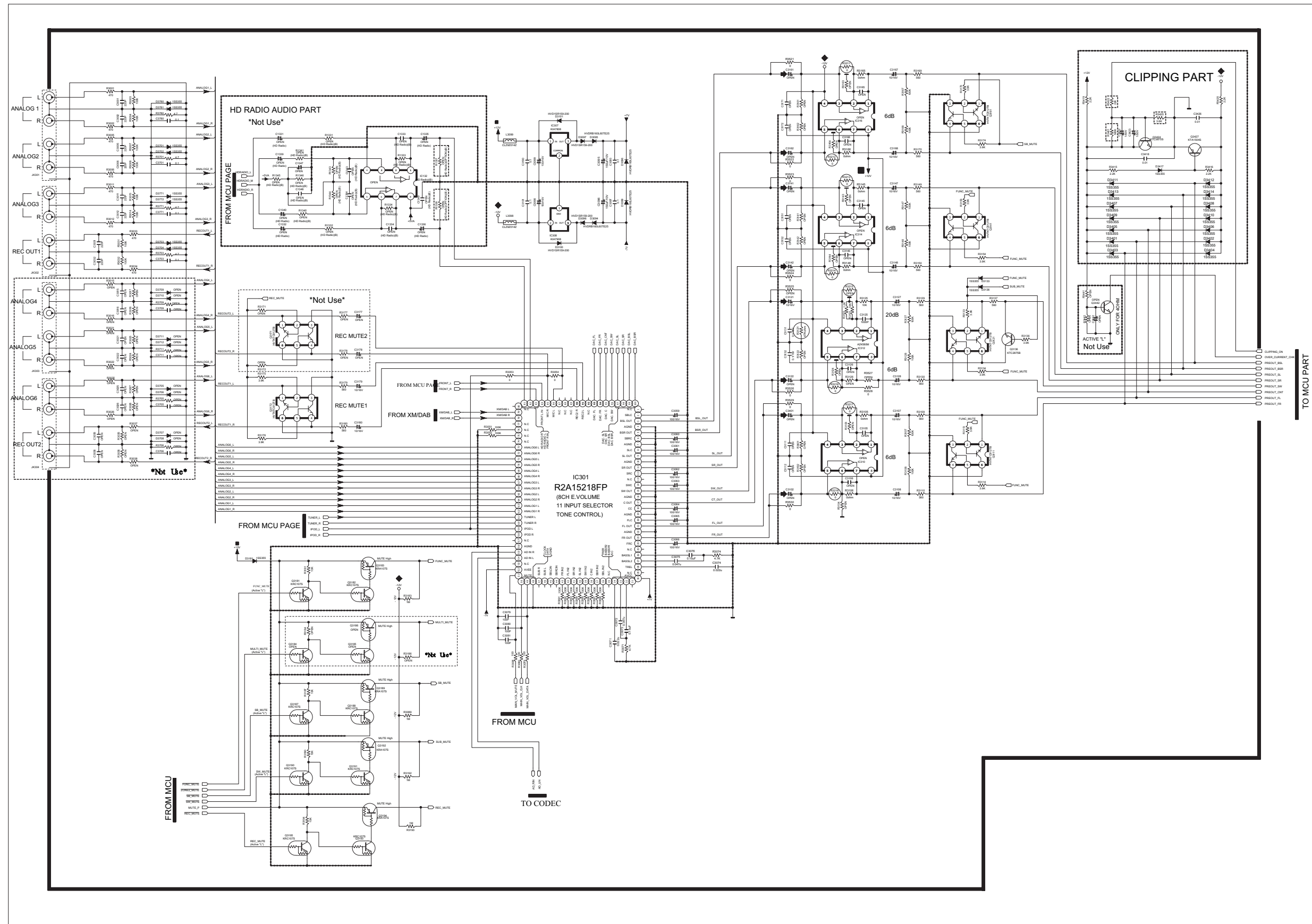
# SCHEMATIC DIAGRAM (DSP PART)



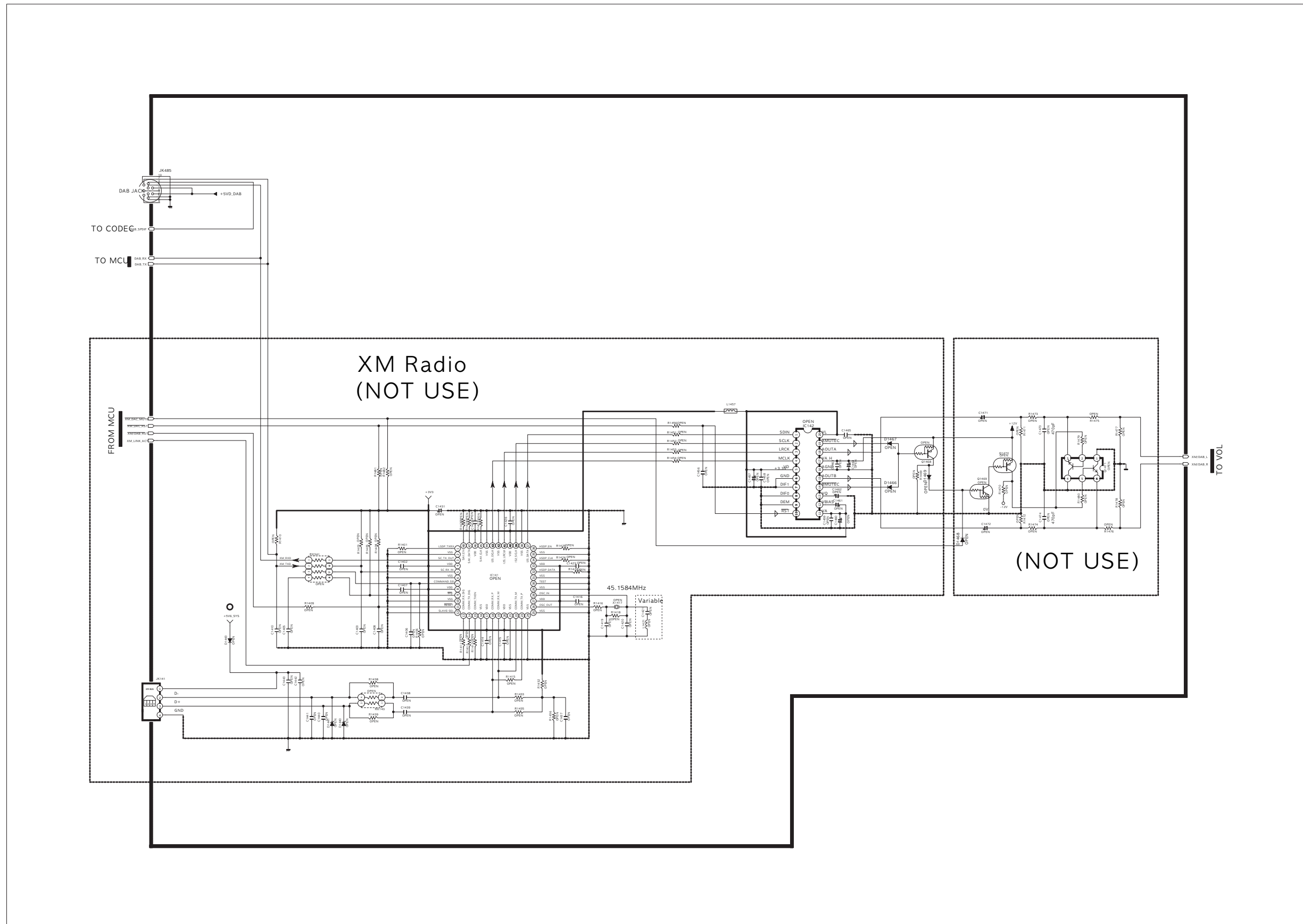
# SCHEMATIC DIAGRAM ( CODEC / DIR PART)



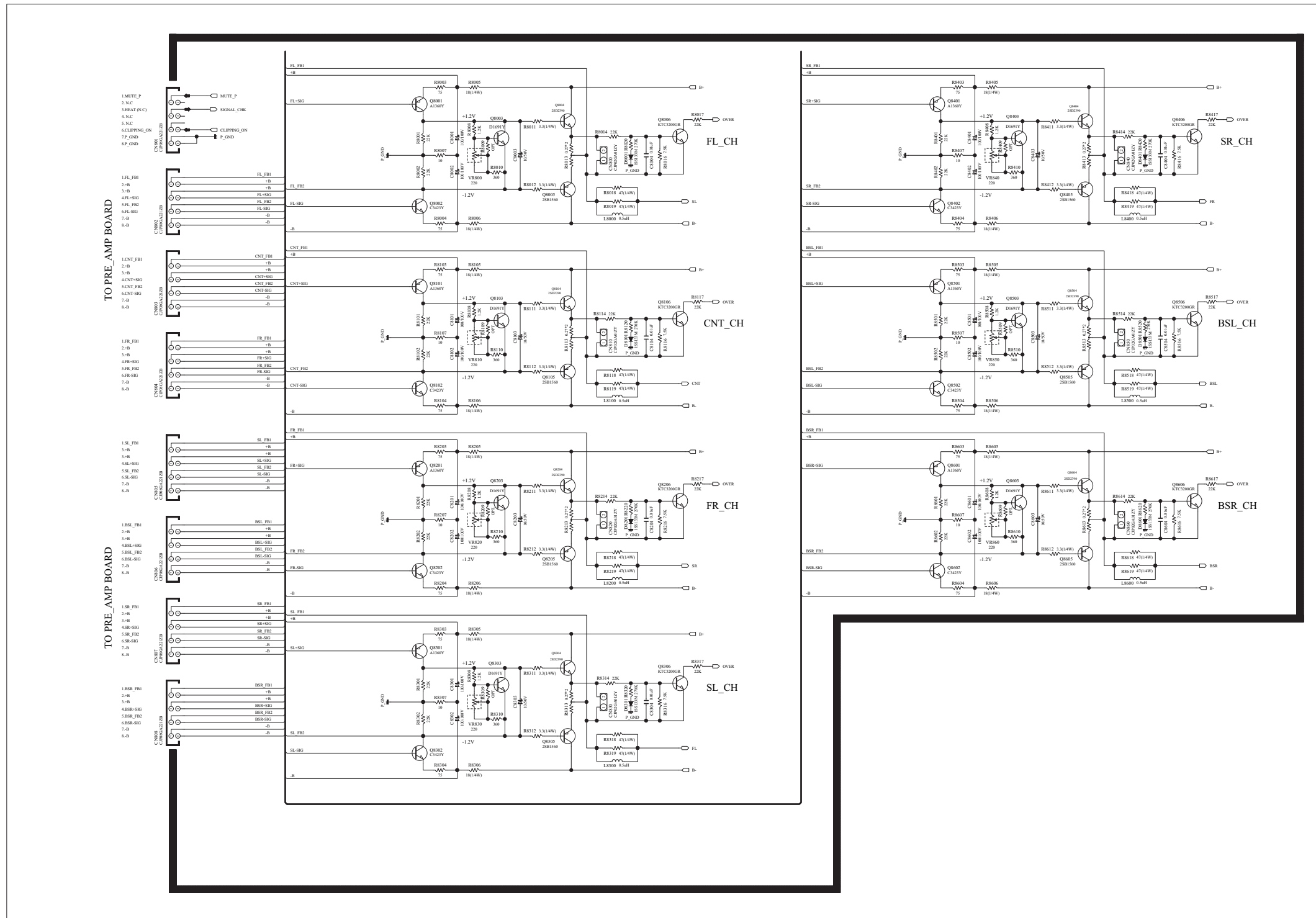
# SCHEMATIC DIAGRAM ( INPUT/VOL PART)



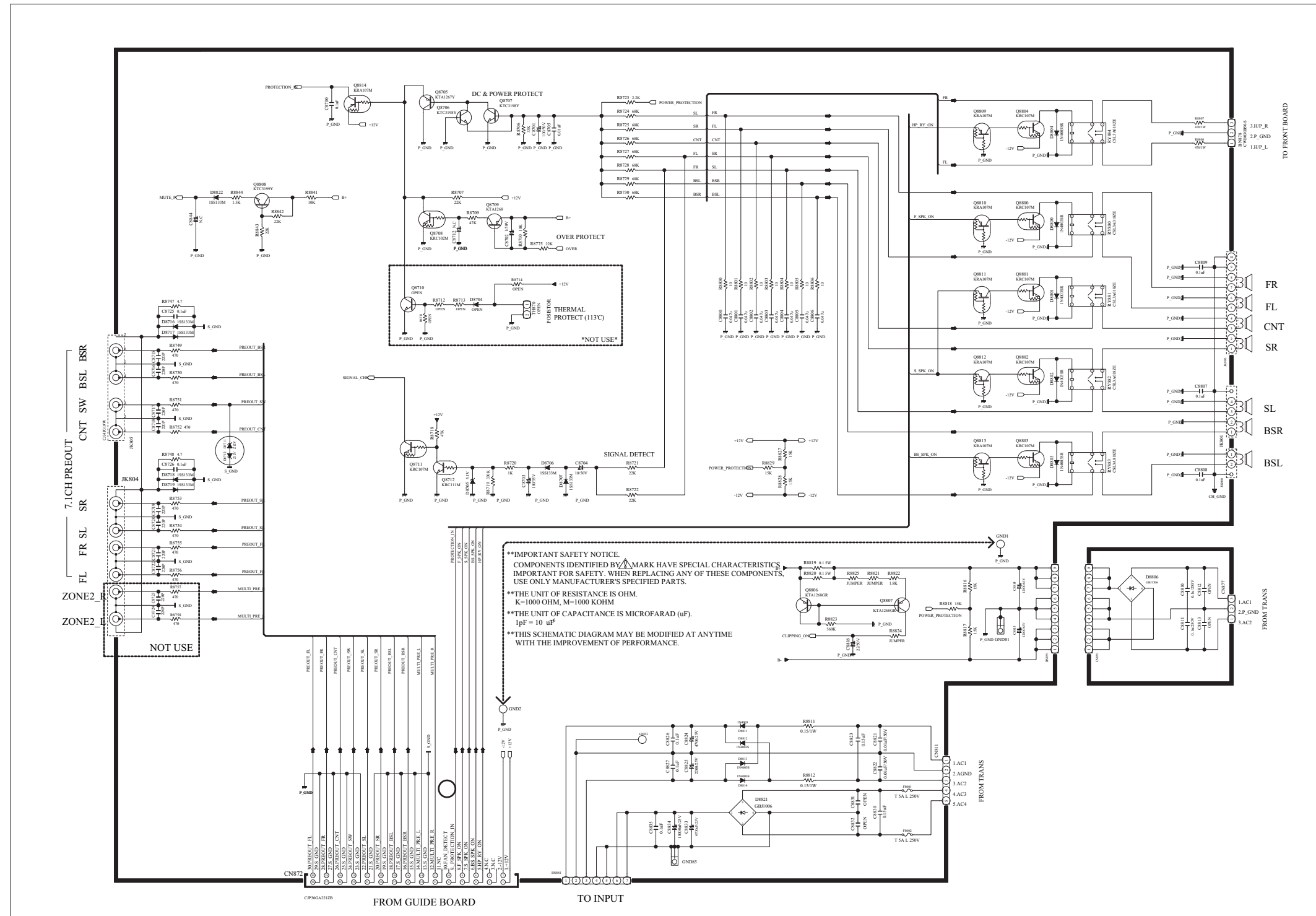
# SCHEMATIC DIAGRAM ( DAB PART )



# SCHEMATIC DIAGRAM ( AMP PART )

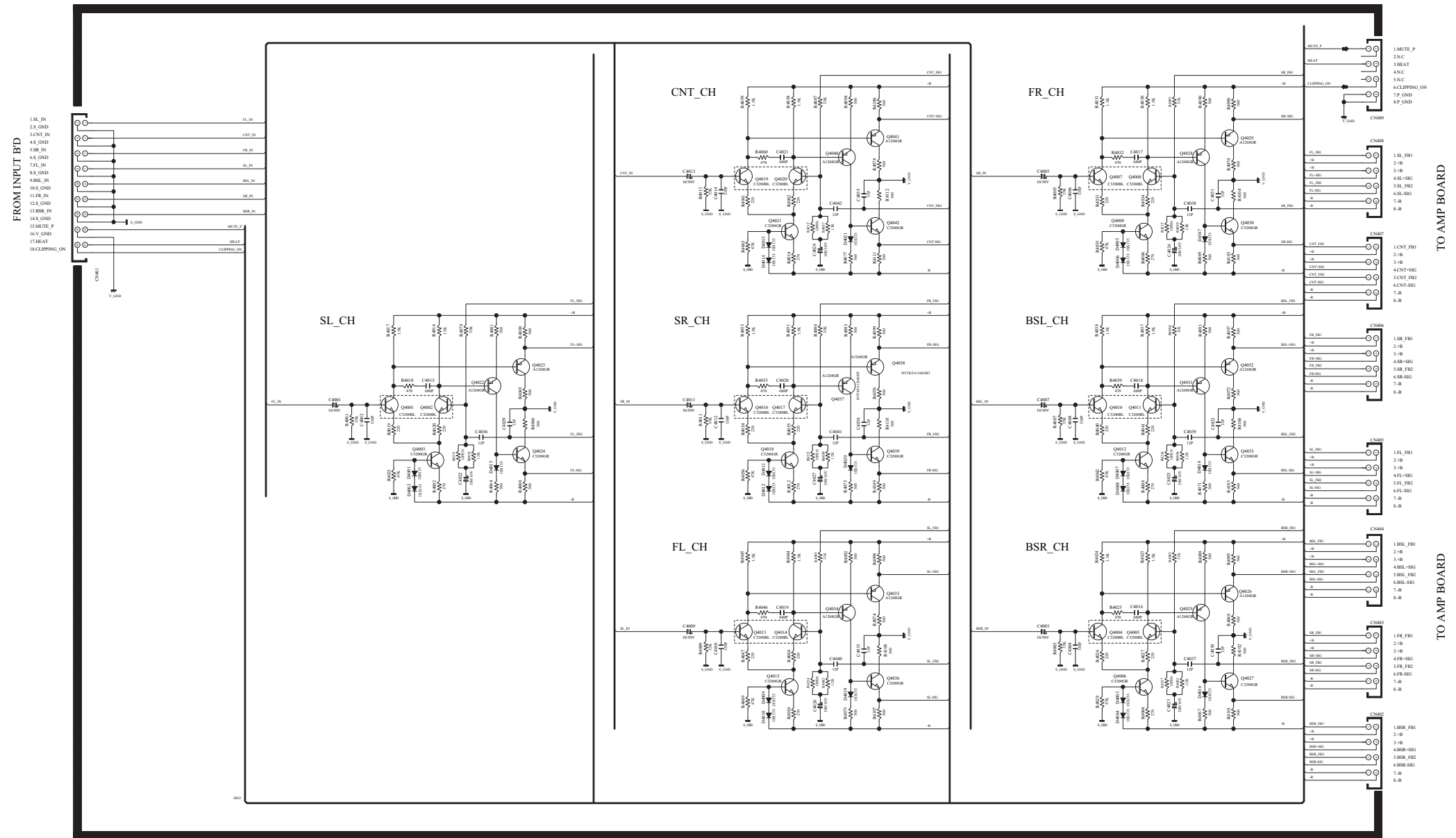


# SCHEMATIC DIAGRAM ( MAIN PART )



**SCHEMATIC DIAGRAM ( PRE-AMP PART )**

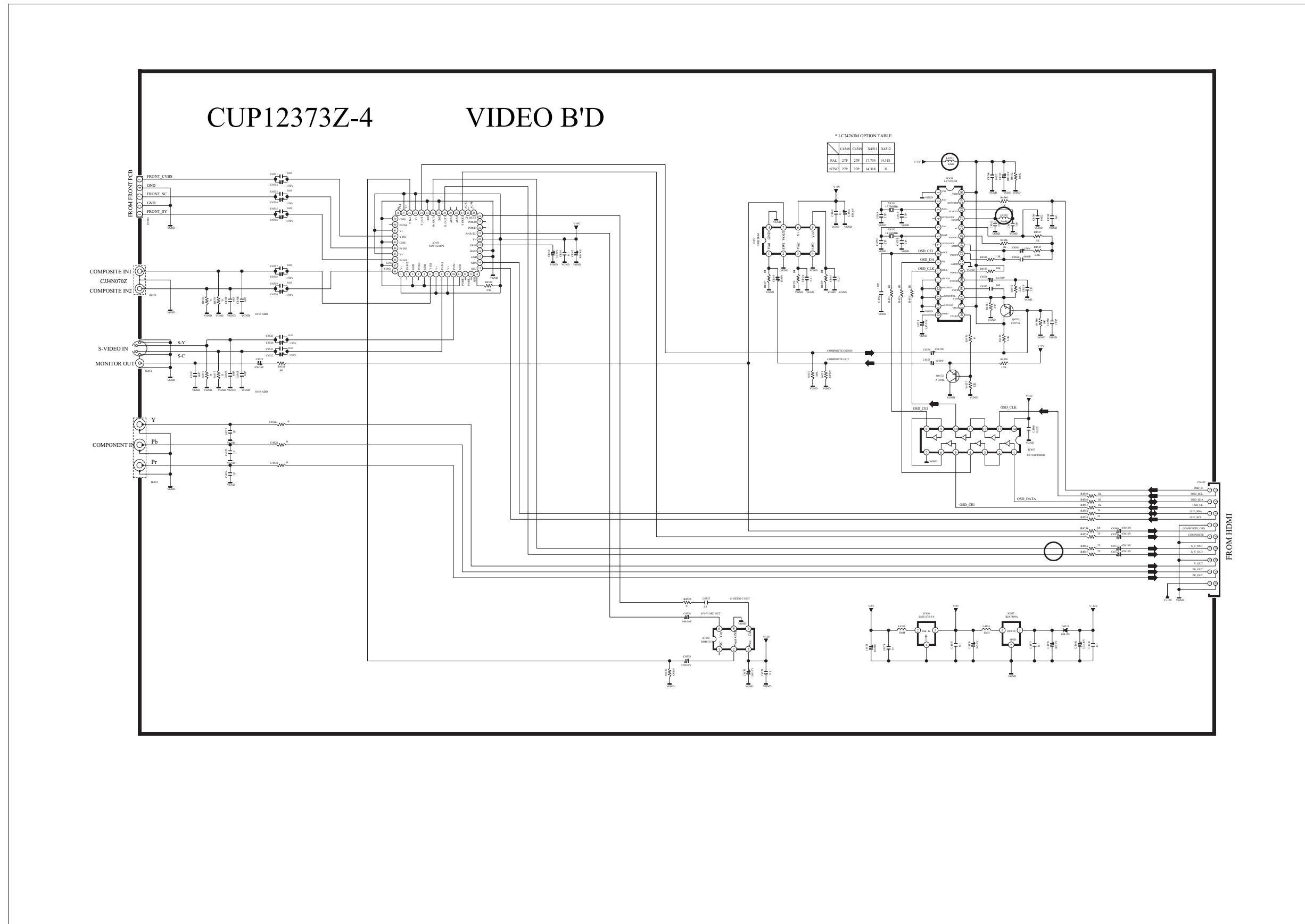
**PRE-AMP CUP12373Z-1**



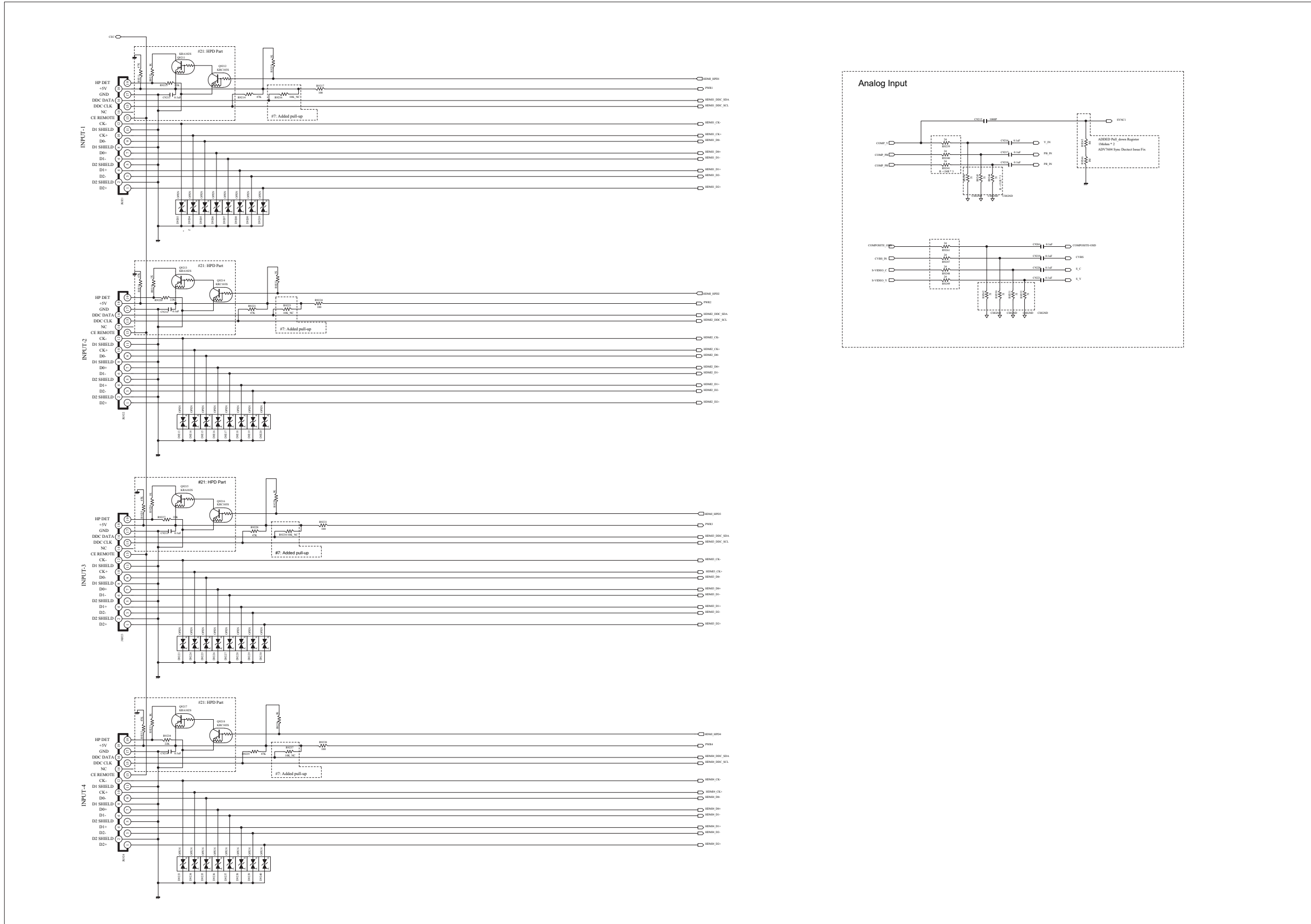




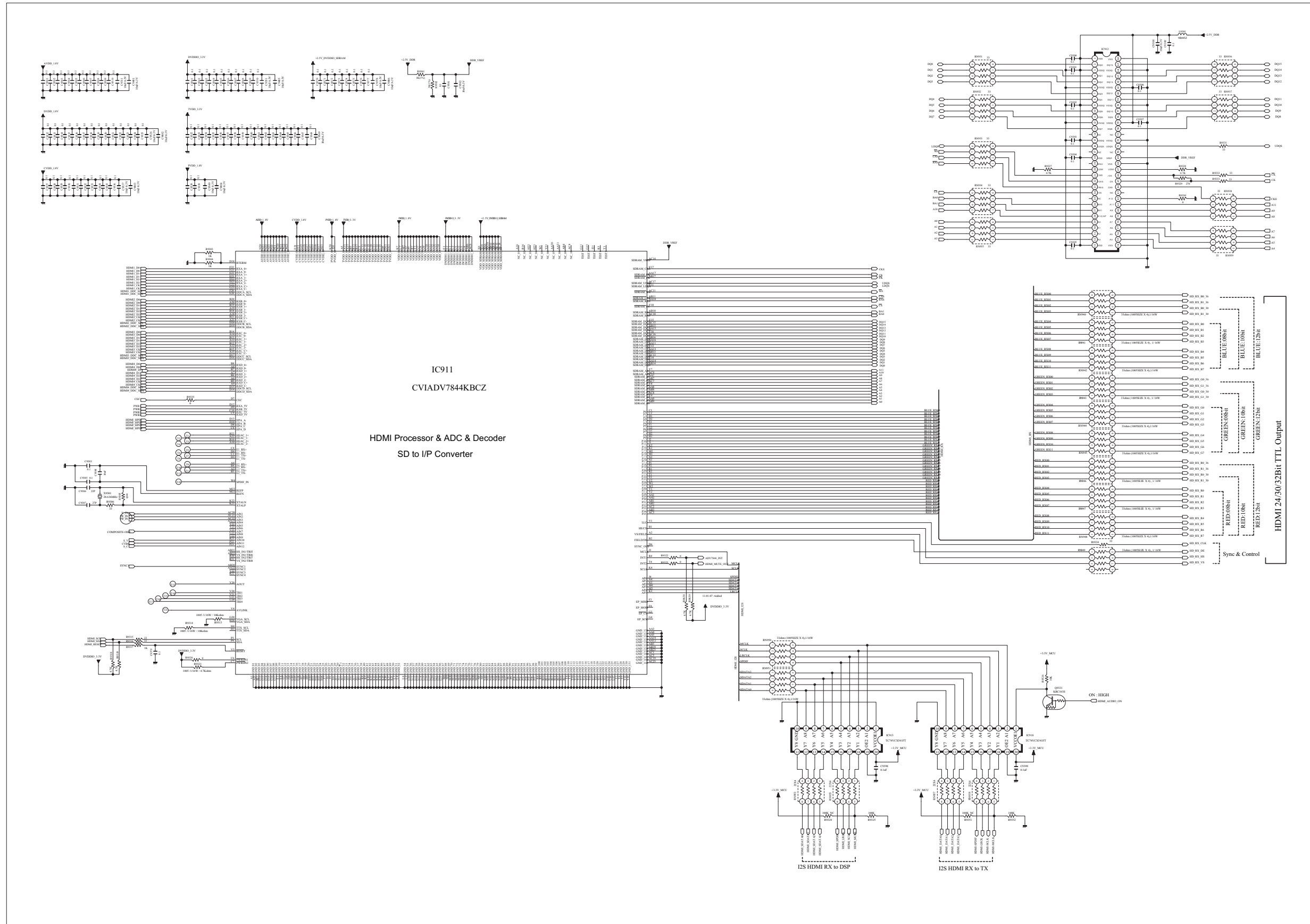
# SCHEMATIC DIAGRAM ( VIDEO PART )



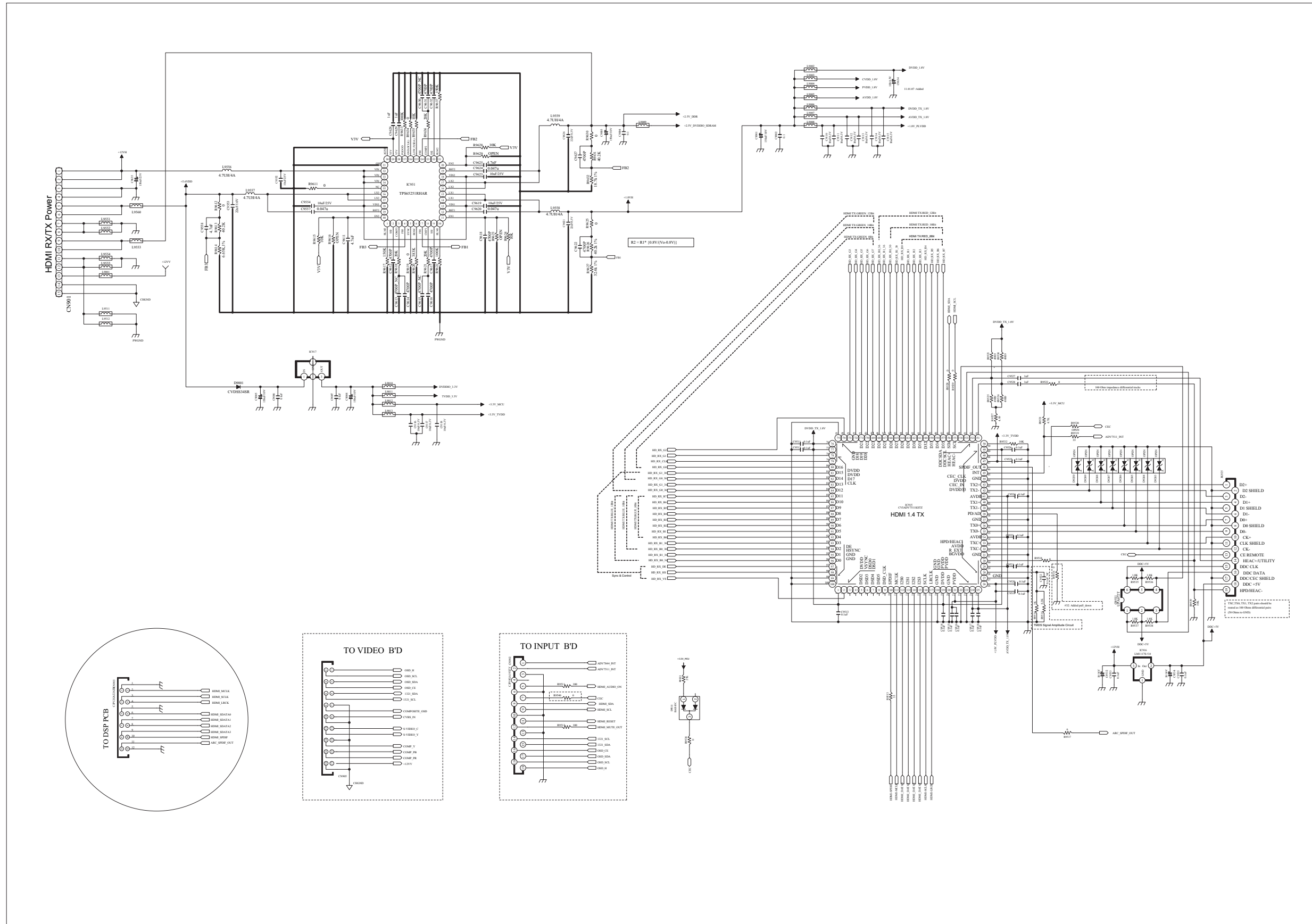
# SCHEMATIC DIAGRAM ( HDMI - INPUT PART )



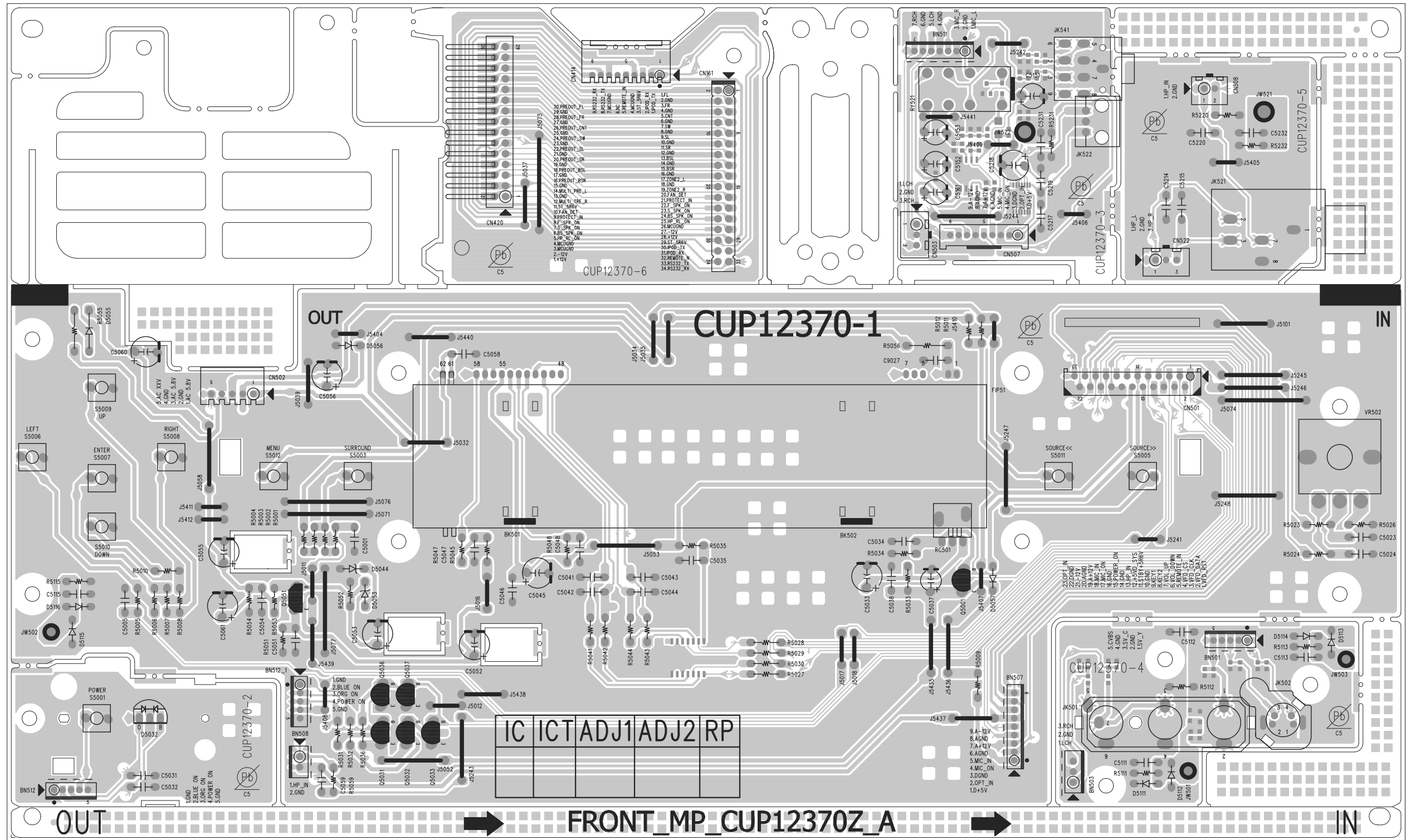
# SCHEMATIC DIAGRAM ( HDMI - RX )



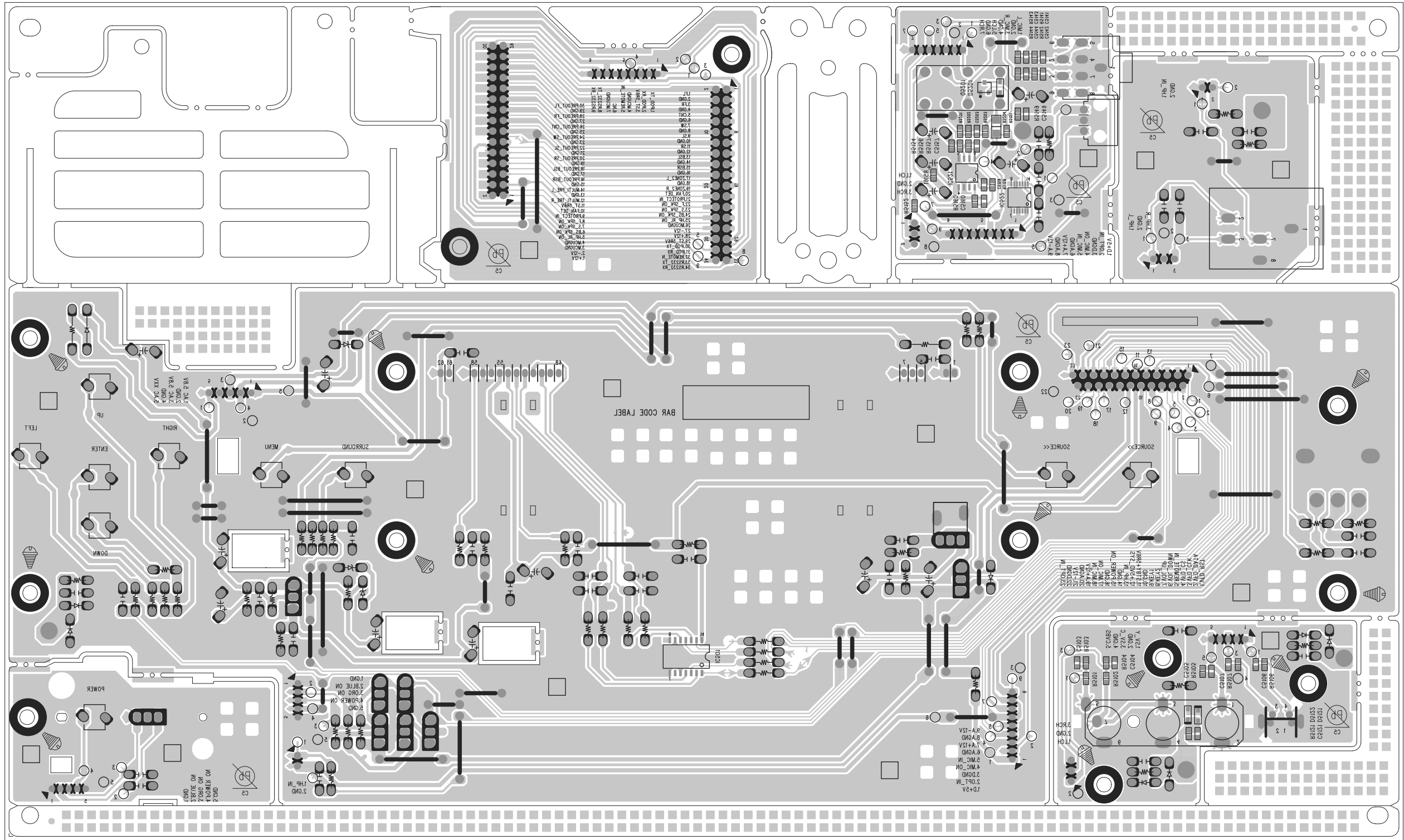
# SCHEMATIC DIAGRAM ( HDMI - TX )



**PRINTED CIRCUIT BOARD**  
FRONT (TOP VIEW)



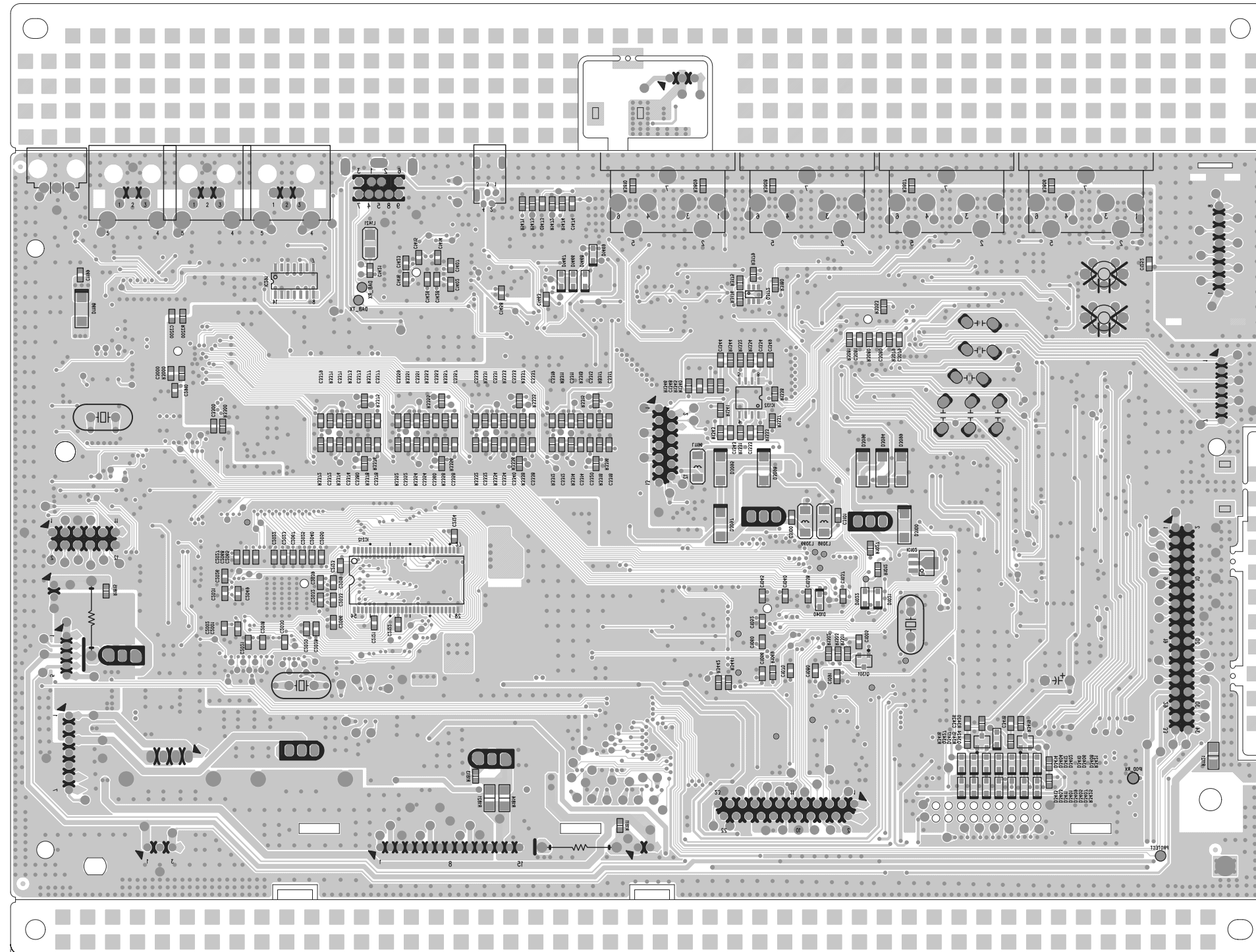
FRONT ( BOTTOM VIEW )





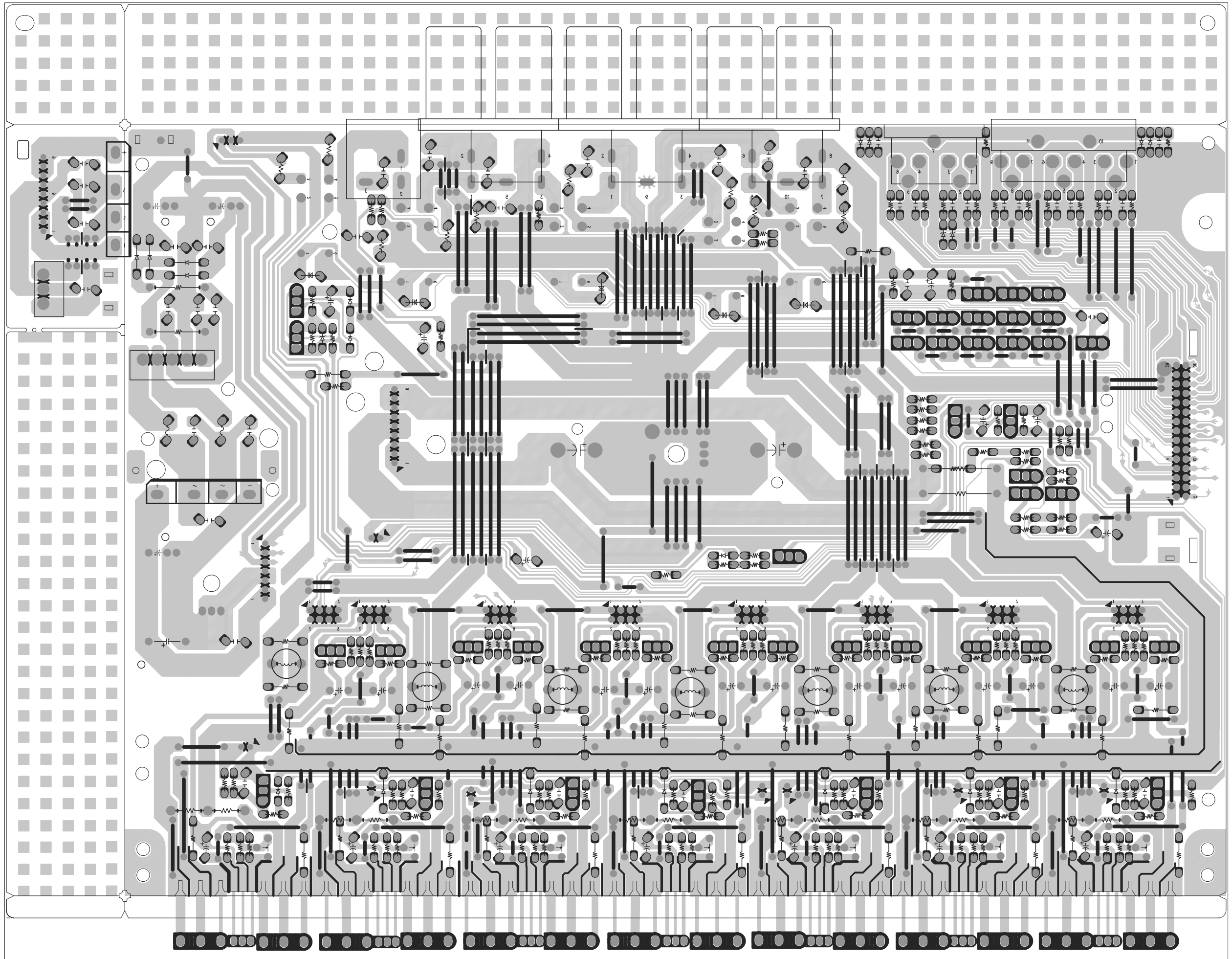


INPUT ( BOTTOM VIEW )



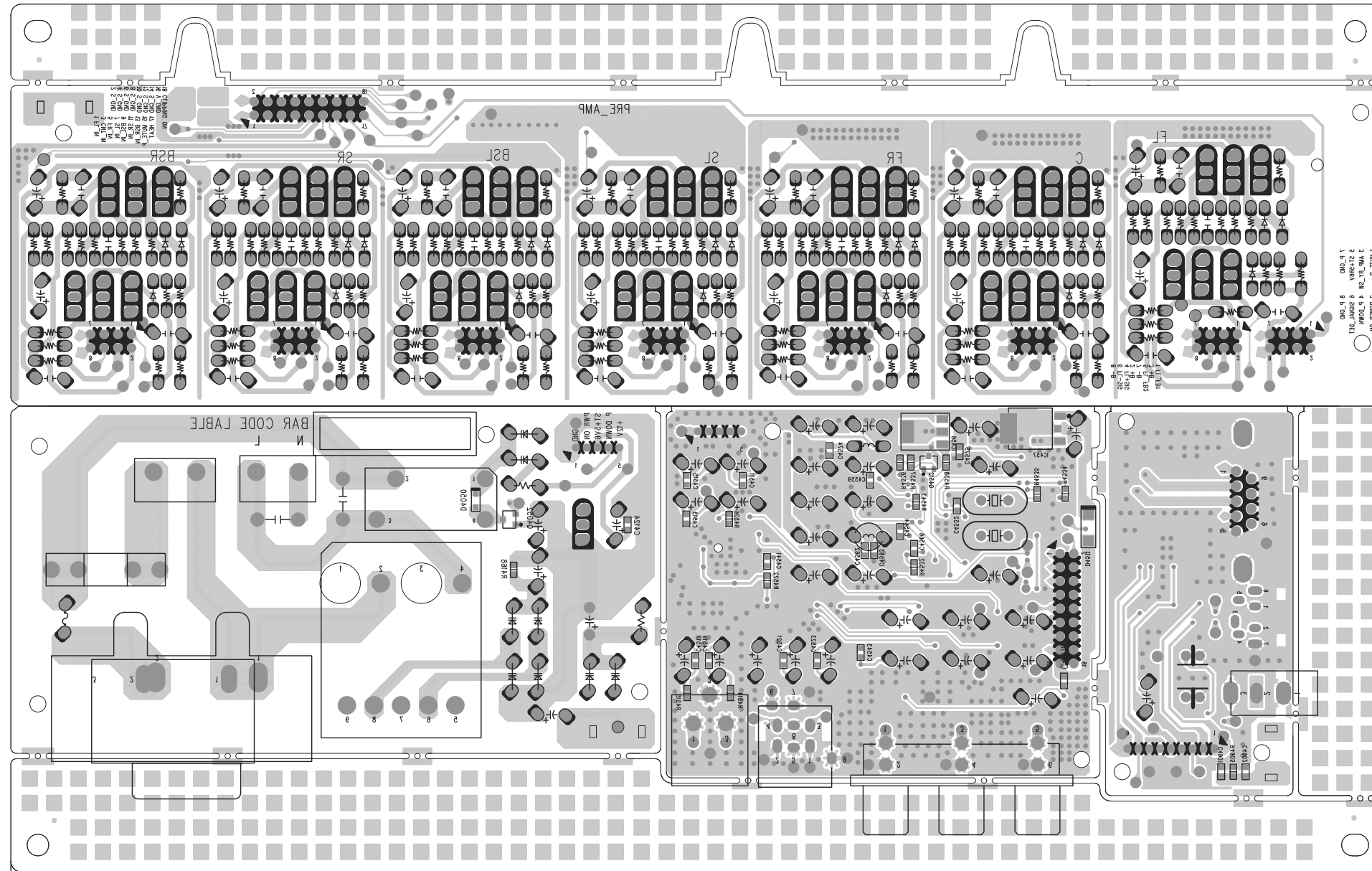


MAIN ( BOTTOM VIEW )

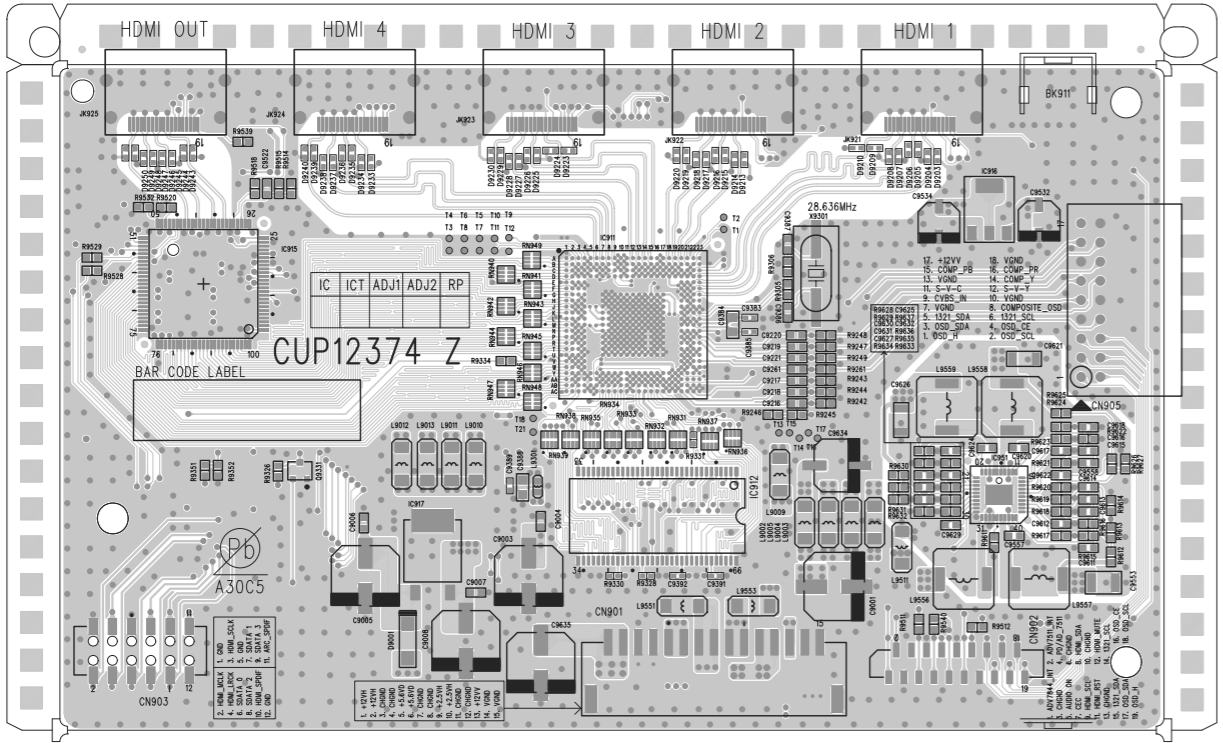




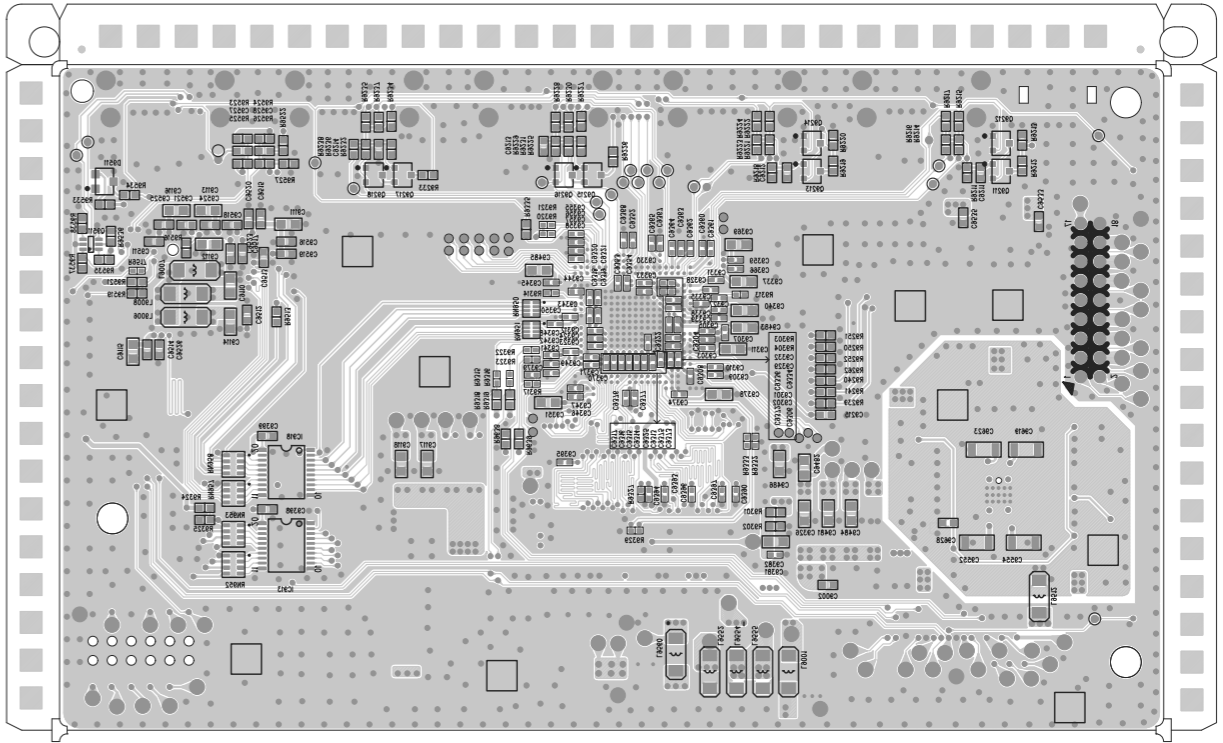
SUB ( BOTTOM VIEW )



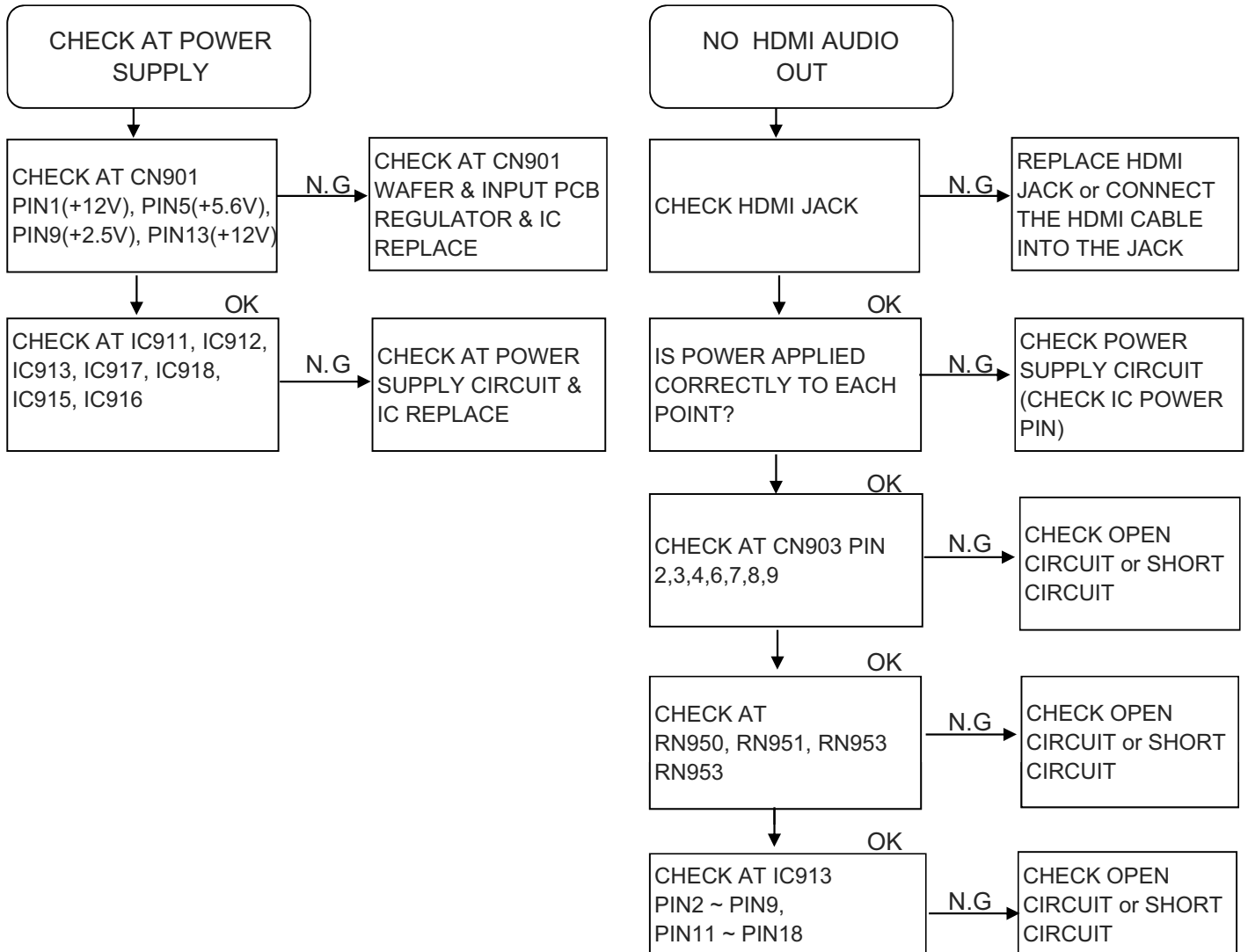
HDMI (TOP VIEW)



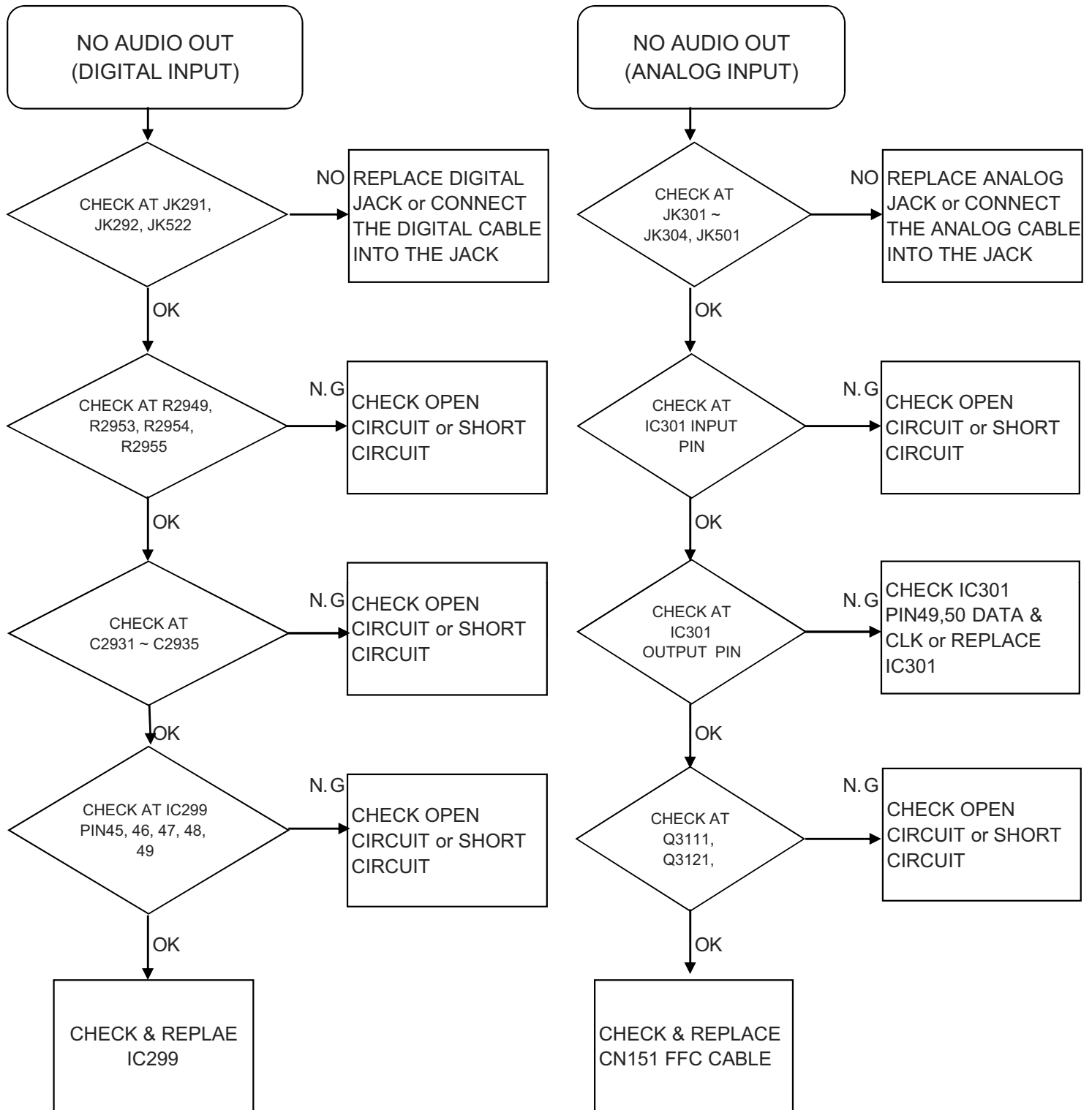
HDMI (BOTTOM VIEW)



## \* T748 HDMI PART TROUBLESHOOTING

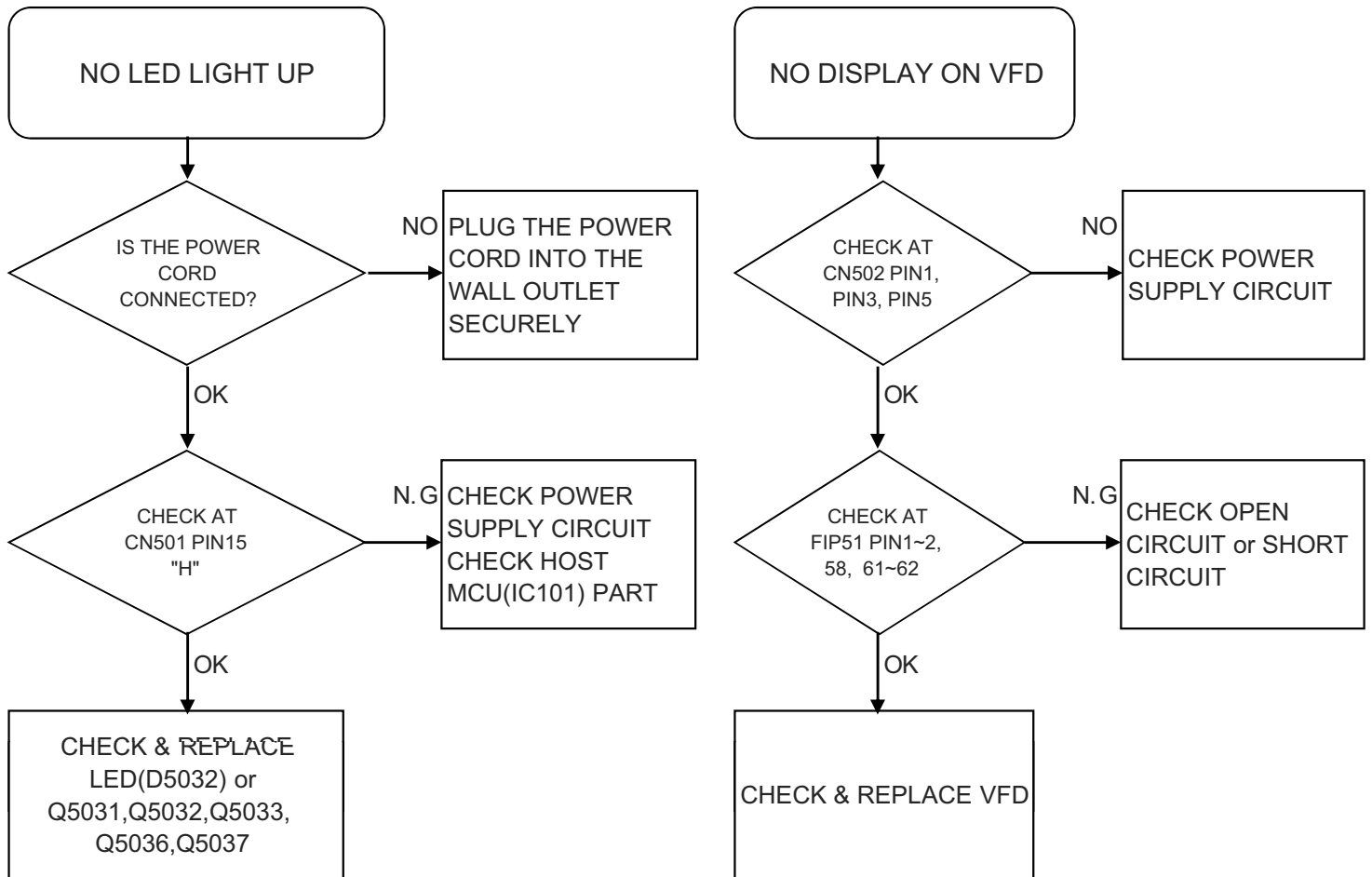


# \* T748 AUDIO PART TROUBLESHOOTING





# \* T748 DISPLAY PART TROUBLESHOOTING



# SECTION 3

## ELECTRICAL PARTS LIST

### ■ RESISTORS AND CAPACITORS

Notes : \* Please use this part number for parts order.

\* IMPORTANT SAFETY NOTICE.

Components identified by  $\Delta$  mark have special characteristics important for safety.  
When replacing any of these components, use only manufacture's specified parts.

\* The unit of resistance is ohm( $\Omega$ )

k=1000 $\Omega$  , M=1000k $\Omega$

\* The unit of capacitance is microfarad( $\mu F$ )

p=10-6  $\mu F$

### ■ Numbering System of Resistor

example

CRD    25    F    J    101  
Type    Wattage    Shape    Tolerance    Value

RESISTOR TYPE		WATTAGE	TOLERANCE
K(C)RD	CARBON	10 : 1/10 W	F : $\pm 1$ %
K(C)RJ	CARBON CHIP	14 : 1/4 W	J : $\pm 10$ %
K(C)RG	METAL OXIDE	20 : 1/5 W	K : $\pm 20$ %
K(C)RF	METAL CEMENT	25 : 1/4 W	
K(C)RQ	FUSIBLE	1 : 1 W	
		2 : 2 W	
		3 : 3 W	

### ■ Numbering System of Capacitor

example

CCC    T    1H    101    K    B  
Type    Voltage    Value    Tolerance    Peculiarity

Capacitor Type	VOLTAGE		Tolerance
	HCEA Type	Other	
HCB CERAMIC	0J : 6.3V	1H : 50V DC	C : $\pm 0.25$ pF
CCC CERAMIC	1A : 10V	1 : 125V DC	G : $\pm 2$ %
CCK CERAMIC	1C : 16V	KC : 400V AC	J : $\pm 5$ %
HCQ MYLAR	1E : 25V		K : $\pm 10$ %
HCU CERAMIC CHIP	1H : 50V		Z : +80%, -20%
HCE ELECT.	1V : 35V		

LOAD No.	PART No.	DESCRIPTION	SPECIFICATION
	CUP12370Z	PCB , FRONT T748 (330x197, FR-1/1)	
C5103	CCUS1H101JA	CAP, CHIP(1608, 50V/100pF)	
C5104	CCUS1H101JA	CAP, CHIP(1608, 50V/100pF)	
C5105	CCUS1H680JA	CAP, CHIP(1608, 50V/68pF)	
C5106	CCUS1H680JA	CAP, CHIP(1608, 50V/68pF)	
C5107	CCUS1H680JA	CAP, CHIP(1608, 50V/68pF)	
C5121	CCUS1H104KC	CAP, CHIP(1608, 50V/0.1uF)	
C5141	CCUS1H102KC	CAP, CHIP(1608, 50V/1000pF)	
C5142	CCUS1H102KC	CAP, CHIP(1608, 50V/1000pF)	
C5143	CCUS1H151JA	CAP, CHIP(1608, 50V/150pF)	
C5144	CCUS1H151JA	CAP, CHIP(1608, 50V/150pF)	
C5149	CCUS1H104KC	CAP, CHIP(1608, 50V/0.1uF)	
C5157	CCUS1H470JA	CAP, CHIP(1608, 50V/47pF)	
C5159	CCUS1H471JA	CAP, CHIP(1608, 50V/470pF)	
C5160	CCUS1H151JA	CAP, CHIP(1608, 50V/150pF)	
C5203	CCUS1H104KC	CAP, CHIP(1608, 50V/0.1uF)	
D5121	CVD1SS355T	DIODE, SMD, SWITCHING	
D5122	CVD1SS355T	DIODE, SMD, SWITCHING	
D5201	CVD1SS355T	DIODE, SMD, SWITCHING	
IC501	HVITC74HCT7007F	I.C	
IC521	HVINJM2068MTE1	I.C , OP AMP (JRC)	
Q5201	HVTKRC102S	T.R , CHIP , SOT-23	
R5101	CRJ10DJ471T	RES, CHIP(1608/5%/470ohm)	
R5102	CRJ10DJ471T	RES, CHIP(1608/5%/470ohm)	
R5103	CRJ10DJ104T	RES, CHIP(1608/5%/100Kohm)	
R5104	CRJ10DJ104T	RES, CHIP(1608/5%/100Kohm)	
R5105	CRJ10DJ750T	RES, CHIP(1608/5%/75ohm)	
R5106	CRJ10DJ750T	RES, CHIP(1608/5%/75ohm)	
R5107	CRJ10DJ750T	RES, CHIP(1608/5%/75ohm)	
R5121	CRJ10DJ4R7T	RES, CHIP(1608/5%/4.7ohm)	
R5141	CRJ10DJ471T	RES, CHIP(1608/5%/470ohm)	
R5142	CRJ10DJ471T	RES, CHIP(1608/5%/470ohm)	
R5143	CRJ10DJ473T	RES, CHIP(1608/5%/47Kohm)	
R5144	CRJ10DJ473T	RES, CHIP(1608/5%/47Kohm)	
R5149	CRJ10DJ4R7T	RES, CHIP(1608/5%/4.7ohm)	
R5151	CRJ10DJ101T	RES, CHIP(1608/5%/100ohm)	
R5152	CRJ10DJ101T	RES, CHIP(1608/5%/100ohm)	
R5154	CRJ10DJ104T	RES, CHIP(1608/5%/100Kohm)	
R5156	CRJ10DJ102T	RES, CHIP(1608/5%/1Kohm)	
R5157	CRJ10DJ103T	RES, CHIP(1608/5%/10Kohm)	
R5158	CRJ10DJ102T	RES, CHIP(1608/5%/1Kohm)	
R5160	CRJ10DJ103T	RES, CHIP(1608/5%/10Kohm)	
R5161	CRJ10DJ104T	RES, CHIP(1608/5%/100Kohm)	
R5201	CRJ10DJ222T	RES, CHIP(1608/5%/2.2Kohm)	
R5202	CRJ10DJ152T	RES, CHIP(1608/5%/1.5Kohm)	
R5203	CRJ10DJ103T	RES, CHIP(1608/5%/10Kohm)	
R5204	CRJ14CJ1R0T	RES, CHIP(3216/5%/1ohm)	
C5001	CCBS1H102KBT	CAP , CERAMIC(1000PF/50V)	
C5005	CCBS1H102KBT	CAP , CERAMIC(1000PF/50V)	
C5023	CCBS1H223ZFT	CAP , CERAMIC(22000PF/50V)	
C5024	CCBS1H223ZFT	CAP , CERAMIC(22000PF/50V)	
C5031	CCBS1H104ZFT	CAP , CERAMIC	

C5032	CCBS1H104ZFT	CAP , CERAMIC	
C5033	CCEA1CK101TC	CAP , ELECT(16V/100uF)	
C5034	CCBS1H101KBT	CAP , CERAMIC(100PF/50V)	
C5035	CCBS1H104ZFT	CAP , CERAMIC	
C5037	CCEA1CK100TC	CAP , ELECT(16V/10uF)	
C5038	CCBS1H104ZFT	CAP , CERAMIC	
C5041	CCBS1H104ZFT	CAP , CERAMIC	
C5042	CCBS1H102KBT	CAP , CERAMIC(1000PF/50V)	
C5043	CCBS1H102KBT	CAP , CERAMIC(1000PF/50V)	
C5044	CCBS1H102KBT	CAP , CERAMIC(1000PF/50V)	
C5045	CCEA1CK101TC	CAP , ELECT(16V/100uF)	
C5046	CCBS1H104ZFT	CAP , CERAMIC	
C5047	CCBS1H104ZFT	CAP , CERAMIC	
C5048	CCBS1H390JT	CAP , CERAMIC(39PF/50V)	
C5051	CCBS1H103ZFT	CAP , CERAMIC	
C5052	CCEA1JH470TC	CAP , ELECT(63V/47uF)	
C5053	CCEA1JH470TC	CAP , ELECT(63V/47uF)	
C5054	CCBS1H103ZFT	CAP , CERAMIC	
C5055	CCEA1JH470TC	CAP , ELECT(63V/47uF)	
C5056	CCEA1HKS100TC	CAP , ELECT(50V/10uF)	
C5058	CCBS1H104ZFT	CAP , CERAMIC	
C5059	CCBS1H223ZFT	CAP , CERAMIC(22000PF/50V)	
C5060	CCEA1JH470TC	CAP , ELECT(63V/47uF)	
C5111	CCBS1H104ZFT	CAP , CERAMIC	
C5112	CCBS1H104ZFT	CAP , CERAMIC	
C5115	CCBS1H104ZFT	CAP , CERAMIC	
C5151	CCEA1EKS470TC	CAP , ELECT(25V/47uF)	
C5152	CCEA1EKS470TC	CAP , ELECT(25V/47uF)	
C5153	CCEA1HH100TC	CAP , ELECT(50V/10uF)	
C5161	CCEA1HH100TC	CAP , ELECT(50V/10uF)	
C5214	CCBS1H471KBT	CAP , CERAMIC(470PF/50V)	
C5215	CCBS1H471KBT	CAP , CERAMIC(470PF/50V)	
C5217	CCBS1H104ZFT	CAP , CERAMIC	
C5218	CCEA1AH471TC	CAP , ELECT(10V/470uF)	
C5219	CCBS1H104ZFT	CAP , CERAMIC	
C5220	CCBS1H104ZFT	CAP , CERAMIC	
C5231	CCBS1H104ZFT	CAP , CERAMIC	
C5232	CCBS1H104ZFT	CAP , CERAMIC	
C9027	CCBS1H104ZFT	CAP , CERAMIC	
D5044	CVDZJ27BT	DIODE , ZENER 27V	
D5053	CVDZJ15BT	DIODE , ZENER 15V	
D5055	CVD1N4003ST	DIODE , RECT	
D5056	CVDZJ8.2BT	DIODE , ZENER 8.2V	
D5057	CVD1SS133MT	DIODE , SWITCHING	
D5111	CVD1SS133MT	DIODE , SWITCHING	
D5112	CVD1SS133MT	DIODE , SWITCHING	
D5115	CVD1SS133MT	DIODE , SWITCHING	
D5116	CVD1SS133MT	DIODE , SWITCHING	
J5011	C3A206	WIRE , COPPER	
J5012	C3A206	WIRE , COPPER	
J5016	C3A206	WIRE , COPPER	
J5017	C3A206	WIRE , COPPER	
J5018	C3A206	WIRE , COPPER	

J5032	C3A206	WIRE , COPPER	
J5034	C3A206	WIRE , COPPER	
J5035	C3A206	WIRE , COPPER	
J5037	C3A206	WIRE , COPPER	
J5039	C3A206	WIRE , COPPER	
J5052	C3A206	WIRE , COPPER	
J5053	C3A206	WIRE , COPPER	
J5058	C3A206	WIRE , COPPER	
J5071	C3A206	WIRE , COPPER	
J5073	C3A206	WIRE , COPPER	
J5074	C3A206	WIRE , COPPER	
J5076	C3A206	WIRE , COPPER	
J5077	C3A206	WIRE , COPPER	
J5101	C3A206	WIRE , COPPER	
J5241	C3A206	WIRE , COPPER	
J5242	C3A206	WIRE , COPPER	
J5243	C3A206	WIRE , COPPER	
J5244	C3A206	WIRE , COPPER	
J5245	C3A206	WIRE , COPPER	
J5246	C3A206	WIRE , COPPER	
J5247	C3A206	WIRE , COPPER	
J5248	C3A206	WIRE , COPPER	
J5404	C3A206	WIRE , COPPER	
J5405	C3A206	WIRE , COPPER	
J5406	C3A206	WIRE , COPPER	
J5407	C3A206	WIRE , COPPER	
J5408	C3A206	WIRE , COPPER	
J5409	C3A206	WIRE , COPPER	
J5410	C3A206	WIRE , COPPER	
J5411	C3A206	WIRE , COPPER	
J5412	C3A206	WIRE , COPPER	
J5435	C3A206	WIRE , COPPER	
J5436	C3A206	WIRE , COPPER	
J5437	C3A206	WIRE , COPPER	
J5438	C3A206	WIRE , COPPER	
J5439	C3A206	WIRE , COPPER	
J5440	C3A206	WIRE , COPPER	
J5441	C3A206	WIRE , COPPER	
Q5001	HVTKRA102MT	T.R , TO-92M	
Q5031	HVTKRA102MT	T.R , TO-92M	
Q5032	HVTKRA102MT	T.R , TO-92M	
Q5033	HVTKRC102MT	T.R , TO-92M	
Q5036	HVTKRC102MT	T.R , TO-92M	
Q5037	HVTKRC102MT	T.R , TO-92M	
Q5051	CVTKTC1027YT	T.R , KTC1027Y	
R5001	CRD20TF1001T	RES , CARBON	
R5002	CRD20TF1501T	RES , CARBON	
R5003	CRD20TF1801T	RES , CARBON	
R5004	CRD20TF2701T	RES , CARBON	
R5005	CRD20TF1001T	RES , CARBON	
R5006	CRD20TF1501T	RES , CARBON	
R5007	CRD20TF1801T	RES , CARBON	
R5008	CRD20TF2701T	RES , CARBON	

R5009	CRD20TJ4R7T	RES, CARBON(1/5W,4.7ohm,J)
R5010	CRD20TF3301T	RES, CARBON
R5011	CRD20TF3301T	RES, CARBON
R5012	CRD20TF5601T	RES, CARBON(5.6K/F)
R5023	CRD20TJ272T	RES, CARBON(1/5W,2.7Kohm,J)
R5024	CRD20TJ272T	RES, CARBON(1/5W,2.7Kohm,J)
R5026	CRD20TJ101T	RES, CARBON(1/5W,100ohm,J)
R5027	CRD20TJ102T	RES, CARBON(1/5W,1Kohm,J)
R5028	CRD20TJ102T	RES, CARBON(1/5W,1Kohm,J)
R5029	CRD20TJ102T	RES, CARBON(1/5W,1Kohm,J)
R5030	CRD20TJ102T	RES, CARBON(1/5W,1Kohm,J)
R5031	CRD20TJ681T	RES, CARBON(1/5W,680ohm,J)
R5032	CRD20TJ561T	RES, CARBON(1/5W,560ohm,J)
R5033	CRD20TJ4R7T	RES, CARBON(1/5W,4.7ohm,J)
R5035	CRD20TJ4R7T	RES, CARBON(1/5W,4.7ohm,J)
R5036	CRD20TJ103T	RES, CARBON(1/5W,10Kohm,J)
R5041	CRD20TJ470T	RES, CARBON(1/5W,47ohm,J)
R5042	CRD20TJ470T	RES, CARBON(1/5W,47ohm,J)
R5043	CRD20TJ470T	RES, CARBON(1/5W,47ohm,J)
R5044	CRD20TJ470T	RES, CARBON(1/5W,47ohm,J)
R5045	CRD20TJ100T	RES, CARBON(1/5W,10ohm,J)
R5047	CRD20TJ100T	RES, CARBON(1/5W,10ohm,J)
R5048	CRD20TJ822T	RES, CARBON(1/5W,8.2Kohm,J)
R5051	CRD20TJ473T	RES, CARBON(1/5W,47Kohm,J)
R5052	CRD20TJ104T	RES, CARBON(1/5W,100Kohm,J)
R5053	CRD20TJ122T	RES, CARBON(1/5W,1.2Kohm,J)
R5054	CRD20TJ104T	RES, CARBON(1/5W,100Kohm,J)
R5055	CRD25FJ3R3T	RES, CARBON
R5056	CRD25FJ3R3T	RES, CARBON
R5059	CRD20TJ102T	RES, CARBON(1/5W,1Kohm,J)
R5111	CRD20TJ4R7T	RES, CARBON(1/5W,4.7ohm,J)
R5112	CRD20TJ4R7T	RES, CARBON(1/5W,4.7ohm,J)
R5115	CRD20TJ4R7T	RES, CARBON(1/5W,4.7ohm,J)
R5220	CRD20TJ4R7T	RES, CARBON(1/5W,4.7ohm,J)
R5231	CRD20TJ4R7T	RES, CARBON(1/5W,4.7ohm,J)
S5001	CST1A012ZT	SW, TACT
S5003	CST1A012ZT	SW, TACT
S5005	CST1A012ZT	SW, TACT
S5006	CST1A012ZT	SW, TACT
S5007	CST1A012ZT	SW, TACT
S5008	CST1A012ZT	SW, TACT
S5009	CST1A012ZT	SW, TACT
S5010	CST1A012ZT	SW, TACT
S5011	CST1A012ZT	SW, TACT
S5012	CST1A012ZT	SW, TACT
BK501	CMD1A691	BRACKET, FLT
BK502	CMD1A691	BRACKET, FLT
BN501	CWB1C00535047001	WIRE ASS'Y (5PIN,2.0mm,350mm,SHIELD)
BN503	CWB1C00310058001	WIRE ASS'Y (3PIN,2.5mm,100mm,SHIELD)
BN507	CWB1C00910047002	WIRE ASS'Y (9PIN,2.0mm,100mm,SHIELD)
BN508	CWB1C00210058	WIRE ASS'Y (2PIN,2.5mm,100mm)
BN511	CWB1C00735047001	WIRE ASS'Y (7PIN,2.0mm,350mm,SHIELD)
BN512	CWB1B00512077	WIRE ASS'Y (5PIN,2.0mm,120mm)

CN161	CJP34GA221ZB	2.54mm 30PIN WAFER	
CN414	CJP09GJ247ZW	LOCK-WAFER/ANGLE/2mm	
CN420	CJP30GB142ZB	30PIN, 2.54MM PIN HEADER	
CN501	CJP23GA285ZN	WAFER,FPC 1.25mm,stright	
CN502	CJP05GB03ZY	WAFER,YMAW025(2.5mm,ANGLE)	
CN503	CJP03GI237ZW	LOCK-WAFER/STRAIGHT/2.5mm	
CN507	CJP09GI236ZW	LOCK-WAFER/STRAIGHT/2mm	
CN508	CJP02GI237ZW	LOCKING TYPE , STRAIGHT WAFER, 2.5MM	
CN522	CJP03GI237ZW	LOCK-WAFER/STRAIGHT/2.5mm	
D5032	CVD50BOBBWGA	L.E.D , 2 COLOR (ORG , BLUE)	
FIP51	CFLHCA16S202T	V.F.D	
JK501	CJJ4S047Z	JACK , RCA (3P , W/R/Y , GOLD PLATE)	
JK502	CJJ9M004Z	JACK , S-VHS	
JK521	CJJ2E020Z	JACK, PHONES(6.35mm,GOLD)	
JK522	HJSTORX177L	MODULE , OPTICAL(RX)	
JK541	CJJ2E028Z	JACK, PHONES(3.5mm,GOLD)	
JW501	CWE8202150RV	WIRE ASS'Y	
JW521	CWE8202120RV	WIRE ASS'Y	
RC501	CRVKSM603TM2M	SENSOR , REMOCON(H=5.2MM)	
RY521	CSL4A016ZU	RELAY,BC3-12H,DC12V,2C2P	
VR502	CSR2A036Z	ENCODER VR	
	CUP12371Z	PCB , INPUT T748 (252x191, FR-4/4)	
C1005	CCUS1H104KC	CAP, CHIP(1608, 50V/0.1uF)	
C1037	CCUS1H104KC	CAP, CHIP(1608, 50V/0.1uF)	
C1038	CCUS1H104KC	CAP, CHIP(1608, 50V/0.1uF)	
C1040	CCUS1H104KC	CAP, CHIP(1608, 50V/0.1uF)	
C1045	CCUS1H104KC	CAP, CHIP(1608, 50V/0.1uF)	
C1052	CCUS1H104KC	CAP, CHIP(1608, 50V/0.1uF)	
C1060	CCUS1H104KC	CAP, CHIP(1608, 50V/0.1uF)	
C1066	CCUS1H104KC	CAP, CHIP(1608, 50V/0.1uF)	
C1070	CCUS1H104KC	CAP, CHIP(1608, 50V/0.1uF)	
C1080	CCUS1H104KC	CAP, CHIP(1608, 50V/0.1uF)	
C1091	CCUS1H104KC	CAP, CHIP(1608, 50V/0.1uF)	
C1199	CCUS1H104KC	CAP, CHIP(1608, 50V/0.1uF)	
C1252	CCUS1H104KC	CAP, CHIP(1608, 50V/0.1uF)	
C2001	CCUS1H104KC	CAP, CHIP(1608, 50V/0.1uF)	
C2002	CCUS1H104KC	CAP, CHIP(1608, 50V/0.1uF)	
C2018	CCUS1H104KC	CAP, CHIP(1608, 50V/0.1uF)	
C2019	CCUS1H104KC	CAP, CHIP(1608, 50V/0.1uF)	
C2020	CCUS1H104KC	CAP, CHIP(1608, 50V/0.1uF)	
C2021	CCUS1H104KC	CAP, CHIP(1608, 50V/0.1uF)	
C2022	CCUS1H104KC	CAP, CHIP(1608, 50V/0.1uF)	
C2023	CCUS1H104KC	CAP, CHIP(1608, 50V/0.1uF)	
C2025	CCUS1H104KC	CAP, CHIP(1608, 50V/0.1uF)	
C2026	CCUS1H104KC	CAP, CHIP(1608, 50V/0.1uF)	
C2027	CCUS1H104KC	CAP, CHIP(1608, 50V/0.1uF)	
C2028	CCUS1H104KC	CAP, CHIP(1608, 50V/0.1uF)	
C2030	CCUS1H104KC	CAP, CHIP(1608, 50V/0.1uF)	
C2031	CCUS1H104KC	CAP, CHIP(1608, 50V/0.1uF)	
C2032	CCUS1H104KC	CAP, CHIP(1608, 50V/0.1uF)	
C2033	CCUS1H104KC	CAP, CHIP(1608, 50V/0.1uF)	
C2039	CCUS1H104KC	CAP, CHIP(1608, 50V/0.1uF)	
C2040	CCUS1H104KC	CAP, CHIP(1608, 50V/0.1uF)	

C2049	CCUS1H104KC	CAP, CHIP(1608, 50V/0.1uF)	
C2050	CCUS1H104KC	CAP, CHIP(1608, 50V/0.1uF)	
C2065	CCUS1H104KC	CAP, CHIP(1608, 50V/0.1uF)	
C2066	CCUS1H104KC	CAP, CHIP(1608, 50V/0.1uF)	
C2067	CCUS1H104KC	CAP, CHIP(1608, 50V/0.1uF)	
C2068	CCUS1H104KC	CAP, CHIP(1608, 50V/0.1uF)	
C2121	CCUS1H104KC	CAP, CHIP(1608, 50V/0.1uF)	
C2122	CCUS1H104KC	CAP, CHIP(1608, 50V/0.1uF)	
C2123	CCUS1H104KC	CAP, CHIP(1608, 50V/0.1uF)	
C2124	CCUS1H104KC	CAP, CHIP(1608, 50V/0.1uF)	
C2910	CCUS1H103KC	CAP, CHIP(1608, 50V/0.01uF)	
C3000	CCUS1H104KC	CAP, CHIP(1608, 50V/0.1uF)	
C3079	CCUS1H101JA	CAP, CHIP(1608, 50V/100pF)	
C3080	CCUS1H101JA	CAP, CHIP(1608, 50V/100pF)	
C3081	CCUS1H101JA	CAP, CHIP(1608, 50V/100pF)	
C3100	CCUS1H104KC	CAP, CHIP(1608, 50V/0.1uF)	
C3101	CCUS1H104KC	CAP, CHIP(1608, 50V/0.1uF)	
C3200	CCUS1H104KC	CAP, CHIP(1608, 50V/0.1uF)	
C3300	CCUS1H104KC	CAP, CHIP(1608, 50V/0.1uF)	
C3311	CCUS1H182KC	CAP, CHIP(1608, 50V/1800pF)	
C3312	CCUS1H182KC	CAP, CHIP(1608, 50V/1800pF)	
C3313	CCUS1H331JA	CAP, CHIP(1608, 50V/330pF)	
C3314	CCUS1H331JA	CAP, CHIP(1608, 50V/330pF)	
C3317	CCUS1H103KC	CAP, CHIP(1608, 50V/0.01uF)	
C3318	CCUS1H103KC	CAP, CHIP(1608, 50V/0.01uF)	
C3319	CCUS1H104KC	CAP, CHIP(1608, 50V/0.1uF)	
C3320	CCUS1H104KC	CAP, CHIP(1608, 50V/0.1uF)	
C3331	CCUS1H182KC	CAP, CHIP(1608, 50V/1800pF)	
C3332	CCUS1H223KC	CAP, CHIP(1608, 50V/0.022uF)	
C3333	CCUS1H331JA	CAP, CHIP(1608, 50V/330pF)	
C3334	CCUS1H272KC	CAP, CHIP(1608, 50V/2700pF)	
C3337	CCUS1H103KC	CAP, CHIP(1608, 50V/0.01uF)	
C3338	CCUS1H103KC	CAP, CHIP(1608, 50V/0.01uF)	
C3339	CCUS1H104KC	CAP, CHIP(1608, 50V/0.1uF)	
C3340	CCUS1H104KC	CAP, CHIP(1608, 50V/0.1uF)	
C3351	CCUS1H182KC	CAP, CHIP(1608, 50V/1800pF)	
C3352	CCUS1H182KC	CAP, CHIP(1608, 50V/1800pF)	
C3353	CCUS1H331JA	CAP, CHIP(1608, 50V/330pF)	
C3354	CCUS1H331JA	CAP, CHIP(1608, 50V/330pF)	
C3357	CCUS1H103KC	CAP, CHIP(1608, 50V/0.01uF)	
C3358	CCUS1H103KC	CAP, CHIP(1608, 50V/0.01uF)	
C3359	CCUS1H104KC	CAP, CHIP(1608, 50V/0.1uF)	
C3360	CCUS1H104KC	CAP, CHIP(1608, 50V/0.1uF)	
C3371	CCUS1H182KC	CAP, CHIP(1608, 50V/1800pF)	
C3372	CCUS1H182KC	CAP, CHIP(1608, 50V/1800pF)	
C3373	CCUS1H331JA	CAP, CHIP(1608, 50V/330pF)	
C3374	CCUS1H331JA	CAP, CHIP(1608, 50V/330pF)	
C3377	CCUS1H103KC	CAP, CHIP(1608, 50V/0.01uF)	
C3378	CCUS1H103KC	CAP, CHIP(1608, 50V/0.01uF)	
C3379	CCUS1H104KC	CAP, CHIP(1608, 50V/0.1uF)	
C3380	CCUS1H104KC	CAP, CHIP(1608, 50V/0.1uF)	
C3418	CCUS1H103KC	CAP, CHIP(1608, 50V/0.01uF)	
C3426	CCUS1H103KC	CAP, CHIP(1608, 50V/0.01uF)	



D1021	CVD1SS355T	DIODE, SMD, SWITCHING	
D1022	CVD1SS355T	DIODE, SMD, SWITCHING	
D1040	CVD1SS355T	DIODE, SMD, SWITCHING	
D1198	HVD1SR159-200	DIODE , RECTIFIER	
D3094	HVDRB160L60TE25	DIODE , SCHOTTKEY BARRIER HK	
D3095	HVDRB160L60TE25	DIODE , SCHOTTKEY BARRIER HK	
D3096	HVD1SR159-200	DIODE , RECTIFIER	
D3097	HVD1SR159-200	DIODE , RECTIFIER	
D3098	HVDRB160L60TE25	DIODE , SCHOTTKEY BARRIER HK	
D3099	HVDRB160L60TE25	DIODE , SCHOTTKEY BARRIER HK	
D3100	HVD1SR159-200	DIODE , RECTIFIER	
D3401	CVD1SS355T	DIODE, SMD, SWITCHING	
D3402	CVD1SS355T	DIODE, SMD, SWITCHING	
D3403	CVD1SS355T	DIODE, SMD, SWITCHING	
D3404	CVD1SS355T	DIODE, SMD, SWITCHING	
D3405	CVD1SS355T	DIODE, SMD, SWITCHING	
D3406	CVD1SS355T	DIODE, SMD, SWITCHING	
D3407	CVD1SS355T	DIODE, SMD, SWITCHING	
D3408	CVD1SS355T	DIODE, SMD, SWITCHING	
D3409	CVD1SS355T	DIODE, SMD, SWITCHING	
D3410	CVD1SS355T	DIODE, SMD, SWITCHING	
D3411	CVD1SS355T	DIODE, SMD, SWITCHING	
D3412	CVD1SS355T	DIODE, SMD, SWITCHING	
D3413	CVD1SS355T	DIODE, SMD, SWITCHING	
D3414	CVD1SS355T	DIODE, SMD, SWITCHING	
D3417	CVD1SS355T	DIODE, SMD, SWITCHING	
IC102	CVIML61C232PR	I.C , RESET(2.3V, CMOS SOT-89)	
IC212	CVIA3V64S40ETP-G6	SDRAM , IC	
L1196	CLZ9Z014Z	FERRITE , CHIP BEAD(60ohm, 4516)	
L3098	CLZ9Z014Z	FERRITE , CHIP BEAD(60ohm, 4516)	
L3099	CLZ9Z014Z	FERRITE , CHIP BEAD(60ohm, 4516)	
Q1301	HVTKRC102S	T.R , CHIP , SOT-23	
Q3172	HVTKTC812TB	T.R , CHIP(TS6)	
Q3424	HVTKTC3875SYRTK	T.R , CHIP	
Q3427	HVTKTA1504SYRTK	T.R , CHIP	
R1012	CRJ10DJ104T	RES, CHIP(1608/5%/100Kohm)	
R1027	CRJ10DJ154T	RES, CHIP(1608/5%/150Kohm)	
R1069	CRJ10DJ101T	RES, CHIP(1608/5%/100ohm)	
R1121	CRJ14CJ0R0T	RES, CHIP(3216/5%/0ohm)	
R1301	CRJ10DJ101T	RES, CHIP(1608/5%/100ohm)	
R1302	CRJ10DJ101T	RES, CHIP(1608/5%/100ohm)	
R1303	CRJ10DJ103T	RES, CHIP(1608/5%/10Kohm)	
R1811	CRJ10DJ104T	RES, CHIP(1608/5%/100Kohm)	
R1813	CRJ10DJ103T	RES, CHIP(1608/5%/10Kohm)	
R1814	CRJ14CJ100T	RES, CHIP(3216/5%/10ohm)	
R1815	CRJ10DJ104T	RES, CHIP(1608/5%/100Kohm)	
R1821	CRJ14CJ100T	RES, CHIP(3216/5%/10ohm)	
R3053	CRJ10DJ0R0T	RES, CHIP(1608/5%/0ohm)	
R3079	CRJ10DJ101T	RES, CHIP(1608/5%/100ohm)	
R3080	CRJ10DJ101T	RES, CHIP(1608/5%/100ohm)	
R3081	CRJ10DJ101T	RES, CHIP(1608/5%/100ohm)	
R3175	CRJ10DJ392T	RES, CHIP(1608/5%/3.9Kohm)	
R3176	CRJ10DJ392T	RES, CHIP(1608/5%/3.9Kohm)	

ONLY C/CT VERSION

R3179	CRJ10DJ561T	RES, CHIP(1608/5%/560ohm)	
R3180	CRJ10DJ561T	RES, CHIP(1608/5%/560ohm)	
R3311	CRJ10DJ472T	RES, CHIP(1608/5%/4.7Kohm)	
R3312	CRJ10DJ472T	RES, CHIP(1608/5%/4.7Kohm)	
R3313	CRJ10DJ182T	RES, CHIP(1608/5%/1.8Kohm)	
R3314	CRJ10DJ182T	RES, CHIP(1608/5%/1.8Kohm)	
R3315	CRJ10DJ101T	RES, CHIP(1608/5%/100ohm)	
R3316	CRJ10DJ101T	RES, CHIP(1608/5%/100ohm)	
R3317	CRJ10DJ104T	RES, CHIP(1608/5%/100Kohm)	
R3318	CRJ10DJ104T	RES, CHIP(1608/5%/100Kohm)	
R3331	CRJ10DJ472T	RES, CHIP(1608/5%/4.7Kohm)	
R3332	CRJ10DJ682T	RES, CHIP(1608/5%/6.8Kohm)	
R3333	CRJ10DJ182T	RES, CHIP(1608/5%/1.8Kohm)	
R3334	CRJ10DJ682T	RES, CHIP(1608/5%/6.8Kohm)	
R3335	CRJ10DJ101T	RES, CHIP(1608/5%/100ohm)	
R3336	CRJ10DJ101T	RES, CHIP(1608/5%/100ohm)	
R3337	CRJ10DJ104T	RES, CHIP(1608/5%/100Kohm)	
R3338	CRJ10DJ104T	RES, CHIP(1608/5%/100Kohm)	
R3351	CRJ10DJ472T	RES, CHIP(1608/5%/4.7Kohm)	
R3352	CRJ10DJ472T	RES, CHIP(1608/5%/4.7Kohm)	
R3353	CRJ10DJ182T	RES, CHIP(1608/5%/1.8Kohm)	
R3354	CRJ10DJ182T	RES, CHIP(1608/5%/1.8Kohm)	
R3355	CRJ10DJ101T	RES, CHIP(1608/5%/100ohm)	
R3356	CRJ10DJ101T	RES, CHIP(1608/5%/100ohm)	
R3357	CRJ10DJ104T	RES, CHIP(1608/5%/100Kohm)	
R3358	CRJ10DJ104T	RES, CHIP(1608/5%/100Kohm)	
R3371	CRJ10DJ472T	RES, CHIP(1608/5%/4.7Kohm)	
R3372	CRJ10DJ472T	RES, CHIP(1608/5%/4.7Kohm)	
R3373	CRJ10DJ182T	RES, CHIP(1608/5%/1.8Kohm)	
R3374	CRJ10DJ182T	RES, CHIP(1608/5%/1.8Kohm)	
R3375	CRJ10DJ101T	RES, CHIP(1608/5%/100ohm)	
R3376	CRJ10DJ101T	RES, CHIP(1608/5%/100ohm)	
R3377	CRJ10DJ104T	RES, CHIP(1608/5%/100Kohm)	
R3378	CRJ10DJ104T	RES, CHIP(1608/5%/100Kohm)	
R3415	CRJ10DJ222T	RES, CHIP(1608/5%/2.2Kohm)	
R3416	CRJ10DJ222T	RES, CHIP(1608/5%/2.2Kohm)	
R3419	CRJ10DJ222T	RES, CHIP(1608/5%/2.2Kohm)	
R3420	CRJ10DJ222T	RES, CHIP(1608/5%/2.2Kohm)	
R3421	CRJ10DJ564T	RES, CHIP(1608/5%/560Kohm)	
R3425	CRJ10DJ362T	RES, CHIP(1608/5%/3.6Kohm)	
CN121	CJP09GA193ZY	WAFER , CARD CABLE SMD	
CN122	CJP09GA193ZY	WAFER , CARD CABLE SMD	
CN151	CJP18GA226ZB	DIP SOCKET(18PIN, 2.54mm, SMD)	
CN162	CJP19GA193ZY	WAFER , CARD CABLE	
C1001	CCUI1C104KC	CAP , CHIP (1005, 16V/0.1uF)	
C1009	CCUI1C104KC	CAP , CHIP (1005, 16V/0.1uF)	
C1011	CCUS1H104KC	CAP, CHIP(1608, 50V/0.1uF)	
C1016	CCUS1H200JA	CAP, CHIP(1608, 50V/20pF)	
C1017	CCUS1H200JA	CAP, CHIP(1608, 50V/20pF)	
C1018	CCUI1C104KC	CAP , CHIP (1005, 16V/0.1uF)	
C1019	CCUI1E103KC	CAP, CHIP(1005, 25V/0.01uF)	
C1020	CCUI1E103KC	CAP, CHIP(1005, 25V/0.01uF)	
C1021	CCUI1E103KC	CAP, CHIP(1005, 25V/0.01uF)	

C1023	CCUI1C104KC	CAP , CHIP (1005, 16V/0.1uF)	
C1024	HCEC0JRV2220T	CAP , CHIP ELECT	
C1025	CCUI1C104KC	CAP , CHIP (1005, 16V/0.1uF)	
C1032	CCUI1C104KC	CAP , CHIP (1005, 16V/0.1uF)	
C1039	HCEC1CRV2100T	CAP, CHIP ELECT(16V/10uF)	
C1041	CCUI1C104KC	CAP , CHIP (1005, 16V/0.1uF)	
C1050	CCUI1C104KC	CAP , CHIP (1005, 16V/0.1uF)	
C1051	CCUI1C104KC	CAP , CHIP (1005, 16V/0.1uF)	
C1059	CCUI1C104KC	CAP , CHIP (1005, 16V/0.1uF)	
C1061	HCEC1CRV2100T	CAP, CHIP ELECT(16V/10uF)	
C1105	CCEC1ACEEX151TY	CAP , ELEC SMD (150uF/10V, 8X10.5, SANYO)	
C1106	CCUS1H104KC	CAP, CHIP(1608, 50V/0.1uF)	
C1111	HCEC0JRV2101T	CAP , CHIP ELECT	
C1112	CCUS1H104KC	CAP, CHIP(1608, 50V/0.1uF)	
C1113	HCEC0JRV2101T	CAP , CHIP ELECT	
C1180	CCUS1H104KC	CAP, CHIP(1608, 50V/0.1uF)	
C1181	CCEC1ACEEX151TY	CAP , ELEC SMD (150uF/10V, 8X10.5, SANYO)	
C1194	CCUS1H104KC	CAP, CHIP(1608, 50V/0.1uF)	
C1195	CCUS1H104KC	CAP, CHIP(1608, 50V/0.1uF)	
C1196	CCEC1ACEEX151TY	CAP , ELEC SMD (150uF/10V, 8X10.5, SANYO)	
C1197	CCEC1ACEEX151TY	CAP , ELEC SMD (150uF/10V, 8X10.5, SANYO)	
C1198	CCEC1ACEEX151TY	CAP , ELEC SMD (150uF/10V, 8X10.5, SANYO)	
C1203	CCUI1E822KC	CAP, CHIP(1005, 25V/8200pF)	
C1204	CCUI1E822KC	CAP, CHIP(1005, 25V/8200pF)	
C1205	CCUI1H392KC	CAP, CHIP(1005, 50V/3900pF)	
C1206	CCUI1H392KC	CAP, CHIP(1005, 50V/3900pF)	
C1210	HCEC1CRV2101T	CAP, CHIP ELECT(16V/100uF)	
C1211	HCEC1CRV2101T	CAP, CHIP ELECT(16V/100uF)	
C1212	CCUS1H104KC	CAP, CHIP(1608, 50V/0.1uF)	
C1221	CCUI1E103KC	CAP, CHIP(1005, 25V/0.01uF)	
C1222	CCUI1E103KC	CAP, CHIP(1005, 25V/0.01uF)	
C1223	CCUI1H101JA	CAP, CHIP(1005, 50V/100pF)	
C1224	CCUI1H101JA	CAP, CHIP(1005, 50V/100pF)	
C1225	CCUI1H101JA	CAP, CHIP(1005, 50V/100pF)	
C1251	HCEC1CRV2100T	CAP, CHIP ELECT(16V/10uF)	
C1501	CCUS1H104KC	CAP, CHIP(1608, 50V/0.1uF)	
C1502	CCUS1H104KC	CAP, CHIP(1608, 50V/0.1uF)	
C1811	CCEC1ERV221T	CAP , SMD ELECT(MANLEX, RV, 25V/220, 8X10)	
C1813	CCEC1ERV221T	CAP , SMD ELECT(MANLEX, RV, 25V/220, 8X10)	
C1821	HCEC1CRV2101T	CAP, CHIP ELECT(16V/100uF)	
C1822	HCEC1CRV2101T	CAP, CHIP ELECT(16V/100uF)	
C1823	CCUS1H104KC	CAP, CHIP(1608, 50V/0.1uF)	
C1824	CCUS1H104KC	CAP, CHIP(1608, 50V/0.1uF)	
C2010	CCUI1H471JA	CAP, CHIP(1005, 50V/470pF)	
C2011	CCUI1H150JA	CAP, CHIP(1005, 50V/15pF)	
C2012	CCUI1H471JA	CAP, CHIP(1005, 50V/470pF)	
C2013	CCUI1H150JA	CAP, CHIP(1005, 50V/15pF)	
C2016	CCUI1C104KC	CAP , CHIP (1005, 16V/0.1uF)	
C2017	HCEC1CRV2220T	CAP, CHIP ELECT(16V/22uF)	
C2099	CCUS1H104KC	CAP, CHIP(1608, 50V/0.1uF)	
C2104	CCUI1C104KC	CAP , CHIP (1005, 16V/0.1uF)	
C2107	CCUI1C104KC	CAP , CHIP (1005, 16V/0.1uF)	
C2108	CCUI1H102KC	CAP, CHIP(1005, 50V/1000pF)	

ONLY C/CT VERSION  
ONLY C/CT VERSION  
ONLY C/CT VERSION

C2109	CCUI1H102KC	CAP, CHIP(1005, 50V/1000pF)	
C2125	CCUI1C104KC	CAP , CHIP (1005, 16V/0.1uF)	
C2126	CCUI1C104KC	CAP , CHIP (1005, 16V/0.1uF)	
C2127	CCUI1C104KC	CAP , CHIP (1005, 16V/0.1uF)	
C2154	HCEC1CRV2220T	CAP, CHIP ELECT(16V/22uF)	
C2155	CCUS1H104KC	CAP, CHIP(1608, 50V/0.1uF)	
C2156	HCEC0JRV2220T	CAP , CHIP ELECT	
C2157	HCEC0JRV2220T	CAP , CHIP ELECT	
C2158	HCEC0JRV2220T	CAP , CHIP ELECT	
C2159	CCUI1C104KC	CAP , CHIP (1005, 16V/0.1uF)	
C2161	HCEC0JRV2220T	CAP , CHIP ELECT	
C2163	CCUI1C104KC	CAP , CHIP (1005, 16V/0.1uF)	
C2164	CCUS1H104KC	CAP, CHIP(1608, 50V/0.1uF)	
C2172	CCUI1C104KC	CAP , CHIP (1005, 16V/0.1uF)	
C2182	CCUI1C104KC	CAP , CHIP (1005, 16V/0.1uF)	
C2183	CCUI1H102KC	CAP, CHIP(1005, 50V/1000pF)	
C2901	CCUI1C104KC	CAP , CHIP (1005, 16V/0.1uF)	
C2902	CCUI1C104KC	CAP , CHIP (1005, 16V/0.1uF)	
C2903	CCUI1H101JA	CAP, CHIP(1005, 50V/100pF)	
C2904	CCUI1H101JA	CAP, CHIP(1005, 50V/100pF)	
C2906	CCUI1H101JA	CAP, CHIP(1005, 50V/100pF)	
C2907	CCUI1H101JA	CAP, CHIP(1005, 50V/100pF)	
C2909	CCUI1C104KC	CAP , CHIP (1005, 16V/0.1uF)	
C2911	CCUS1H104KC	CAP, CHIP(1608, 50V/0.1uF)	
C2912	CCUS1H104KC	CAP, CHIP(1608, 50V/0.1uF)	
C2913	HCEC1ERV24R7T	CAP, CHIP ELECT(25V/4.7uF)	
C2914	HCEC1CRV2101T	CAP, CHIP ELECT(16V/100uF)	
C2915	CCUI1C104KC	CAP , CHIP (1005, 16V/0.1uF)	
C2916	HCEC1CRV2100T	CAP, CHIP ELECT(16V/10uF)	
C2921	CCUS1H223KC	CAP, CHIP(1608, 50V/0.022uF)	
C2922	CCUS1H102KC	CAP, CHIP(1608, 50V/1000pF)	
C2923	HCEC1CRV2100T	CAP, CHIP ELECT(16V/10uF)	
C2924	CCUS1H104KC	CAP, CHIP(1608, 50V/0.1uF)	
C2925	CCUI1E103KC	CAP, CHIP(1005, 25V/0.01uF)	
C2926	CCUI1E103KC	CAP, CHIP(1005, 25V/0.01uF)	
C2927	CCUI1E103KC	CAP, CHIP(1005, 25V/0.01uF)	
C2930	CCUI1E103KC	CAP, CHIP(1005, 25V/0.01uF)	
C2931	CCUI1E103KC	CAP, CHIP(1005, 25V/0.01uF)	
C2932	CCUI1E103KC	CAP, CHIP(1005, 25V/0.01uF)	
C2933	CCUI1E103KC	CAP, CHIP(1005, 25V/0.01uF)	
C2934	CCUI1E103KC	CAP, CHIP(1005, 25V/0.01uF)	
C2935	CCUI1E103KC	CAP, CHIP(1005, 25V/0.01uF)	
C2937	HCEC1CRV2100T	CAP, CHIP ELECT(16V/10uF)	
C2938	CCUI1C104KC	CAP , CHIP (1005, 16V/0.1uF)	
C2939	CCUI1C104KC	CAP , CHIP (1005, 16V/0.1uF)	
C2940	HCEC1CRV2100T	CAP, CHIP ELECT(16V/10uF)	
C2941	CCUI1E103KC	CAP, CHIP(1005, 25V/0.01uF)	
C2949	HCEC1CRV2220T	CAP, CHIP ELECT(16V/22uF)	
C2950	CCUS1H103KC	CAP, CHIP(1608, 50V/0.01uF)	
C2951	CCUI1H101JA	CAP, CHIP(1005, 50V/100pF)	
C2952	HCEC1CRV2100T	CAP, CHIP ELECT(16V/10uF)	
C2953	CCUI1C104KC	CAP , CHIP (1005, 16V/0.1uF)	
C2955	CCUI1C104KC	CAP , CHIP (1005, 16V/0.1uF)	

ONLY C/CT VERSION

C2956	HCEC1CRV2100T	CAP, CHIP ELECT(16V/10uF)	
C2957	CCUI1H101JA	CAP, CHIP(1005, 50V/100pF)	
C2968	CCUI1C104KC	CAP , CHIP (1005, 16V/0.1uF)	
C2970	CCUI1C104KC	CAP , CHIP (1005, 16V/0.1uF)	
C2980	CCUS1H220JA	CAP, CHIP(1608, 50V/22pF)	
C2981	CCUS1H220JA	CAP, CHIP(1608, 50V/22pF)	
C2982	CCUI1C104KC	CAP , CHIP (1005, 16V/0.1uF)	
C2983	CCUI1C104KC	CAP , CHIP (1005, 16V/0.1uF)	
C2995	CCUS1H104KC	CAP, CHIP(1608, 50V/0.1uF)	
C2996	CCUS1H104KC	CAP, CHIP(1608, 50V/0.1uF)	
C2997	CCUS1H104KC	CAP, CHIP(1608, 50V/0.1uF)	
C2998	CCUS1H104KC	CAP, CHIP(1608, 50V/0.1uF)	
C2999	CCUS1H104KC	CAP, CHIP(1608, 50V/0.1uF)	
C3001	CCUI1H221JA	CAP, CHIP(1005, 50V/220pF)	
C3002	CCUI1H221JA	CAP, CHIP(1005, 50V/220pF)	
C3005	CCUI1H221JA	CAP, CHIP(1005, 50V/220pF)	
C3006	CCUI1H221JA	CAP, CHIP(1005, 50V/220pF)	
C3011	CCUI1H221JA	CAP, CHIP(1005, 50V/220pF)	
C3012	CCUI1H221JA	CAP, CHIP(1005, 50V/220pF)	
C3031	CCUI1H221JA	CAP, CHIP(1005, 50V/220pF)	
C3032	CCUI1H221JA	CAP, CHIP(1005, 50V/220pF)	
C3059	HCEC1CRV2101T	CAP, CHIP ELECT(16V/100uF)	
C3060	HCEC1CRV2101T	CAP, CHIP ELECT(16V/100uF)	
C3061	HCEC1CRV2101T	CAP, CHIP ELECT(16V/100uF)	
C3062	HCEC1CRV2101T	CAP, CHIP ELECT(16V/100uF)	
C3063	HCEC1CRV2101T	CAP, CHIP ELECT(16V/100uF)	
C3064	HCEC1CRV2101T	CAP, CHIP ELECT(16V/100uF)	
C3065	HCEC1CRV2101T	CAP, CHIP ELECT(16V/100uF)	
C3066	HCEC1CRV2101T	CAP, CHIP ELECT(16V/100uF)	
C3090	CCEC1ACEEX151TY	CAP , ELEC SMD (150uF/10V, 8X10.5, SANYO)	
C3091	CCUS1H104KC	CAP, CHIP(1608, 50V/0.1uF)	
C3093	CCUS1H104KC	CAP, CHIP(1608, 50V/0.1uF)	
C3094	CCEC1ACEEX151TY	CAP , ELEC SMD (150uF/10V, 8X10.5, SANYO)	
C3095	CCEC1ACEEX151TY	CAP , ELEC SMD (150uF/10V, 8X10.5, SANYO)	
C3096	CCEC1ACEEX151TY	CAP , ELEC SMD (150uF/10V, 8X10.5, SANYO)	
C3097	CCUS1H104KC	CAP, CHIP(1608, 50V/0.1uF)	
C3098	HCEC1CRV2101T	CAP, CHIP ELECT(16V/100uF)	
C3099	HCEC1CRV2101T	CAP, CHIP ELECT(16V/100uF)	
C3107	HCEC1CRV2100T	CAP, CHIP ELECT(16V/10uF)	
C3108	HCEC1CRV2100T	CAP, CHIP ELECT(16V/10uF)	
C3121	HCEC1CRV2100T	CAP, CHIP ELECT(16V/10uF)	
C3125	CCUI1H102KC	CAP, CHIP(1005, 50V/1000pF)	
C3127	HCEC1CRV2100T	CAP, CHIP ELECT(16V/10uF)	
C3128	HCEC1CRV2100T	CAP, CHIP ELECT(16V/10uF)	
C3131	CCUI1C104KC	CAP , CHIP (1005, 16V/0.1uF)	
C3132	CCUI1C104KC	CAP , CHIP (1005, 16V/0.1uF)	
C3147	HCEC1CRV2100T	CAP, CHIP ELECT(16V/10uF)	
C3148	HCEC1CRV2100T	CAP, CHIP ELECT(16V/10uF)	
C3167	HCEC1CRV2100T	CAP, CHIP ELECT(16V/10uF)	
C3168	HCEC1CRV2100T	CAP, CHIP ELECT(16V/10uF)	
C3179	HCEC1CRV2100T	CAP, CHIP ELECT(16V/10uF)	
C3180	HCEC1CRV2100T	CAP, CHIP ELECT(16V/10uF)	
C3301	CCUI1H152KC	CAP, CHIP(1005, 50V/1500pF)	

C3302	CCUI1H152KC	CAP, CHIP(1005, 50V/1500pF)	
C3305	CCUI1H182KC	CAP, CHIP(1005, 50V/1800pF)	
C3306	CCUI1H182KC	CAP, CHIP(1005, 50V/1800pF)	
C3309	CCUI1H331JA	CAP, CHIP(1005, 50V/330pF)	
C3310	CCUI1H331JA	CAP, CHIP(1005, 50V/330pF)	
C3315	HCEC1CRV2100T	CAP, CHIP ELECT(16V/10uF)	
C3316	HCEC1CRV2100T	CAP, CHIP ELECT(16V/10uF)	
C3321	CCUI1H152KC	CAP, CHIP(1005, 50V/1500pF)	
C3322	CCUI1H152KC	CAP, CHIP(1005, 50V/1500pF)	
C3325	CCUI1H182KC	CAP, CHIP(1005, 50V/1800pF)	
C3326	CCUI1E223KC	CAP, CHIP(1005, 25V/0.022uF)	
C3329	CCUI1H331JA	CAP, CHIP(1005, 50V/330pF)	
C3330	CCUI1H272KC	CAP, CHIP(1005, 50V/2700pF)	
C3335	HCEC1CRV2100T	CAP, CHIP ELECT(16V/10uF)	
C3336	HCEC1CRV2100T	CAP, CHIP ELECT(16V/10uF)	
C3341	CCUI1H152KC	CAP, CHIP(1005, 50V/1500pF)	
C3342	CCUI1H152KC	CAP, CHIP(1005, 50V/1500pF)	
C3345	CCUI1H182KC	CAP, CHIP(1005, 50V/1800pF)	
C3346	CCUI1H182KC	CAP, CHIP(1005, 50V/1800pF)	
C3349	CCUI1H331JA	CAP, CHIP(1005, 50V/330pF)	
C3350	CCUI1H331JA	CAP, CHIP(1005, 50V/330pF)	
C3355	HCEC1CRV2100T	CAP, CHIP ELECT(16V/10uF)	
C3356	HCEC1CRV2100T	CAP, CHIP ELECT(16V/10uF)	
C3361	CCUI1H152KC	CAP, CHIP(1005, 50V/1500pF)	
C3362	CCUI1H152KC	CAP, CHIP(1005, 50V/1500pF)	
C3365	CCUI1H182KC	CAP, CHIP(1005, 50V/1800pF)	
C3366	CCUI1H182KC	CAP, CHIP(1005, 50V/1800pF)	
C3369	CCUI1H331JA	CAP, CHIP(1005, 50V/330pF)	
C3370	CCUI1H331JA	CAP, CHIP(1005, 50V/330pF)	
C3375	HCEC1CRV2100T	CAP, CHIP ELECT(16V/10uF)	
C3376	HCEC1CRV2100T	CAP, CHIP ELECT(16V/10uF)	
C3422	HCEC1HRV21R0T	CAP, CHIP ELECT(50V/1uF)	
C3423	HCEC1HRV21R0T	CAP, CHIP ELECT(50V/1uF)	
C3701	CCUS1H104KC	CAP, CHIP(1608, 50V/0.1uF)	
C3703	CCUS1H104KC	CAP, CHIP(1608, 50V/0.1uF)	
C3771	CCUS1H104KC	CAP, CHIP(1608, 50V/0.1uF)	
C3780	CCUS1H104KC	CAP, CHIP(1608, 50V/0.1uF)	
C3971	HCEC1CRV2100T	CAP, CHIP ELECT(16V/10uF)	
C3974	CCUI1C104KC	CAP , CHIP (1005, 16V/0.1uF)	
C3981	HCEC1CRV2100T	CAP, CHIP ELECT(16V/10uF)	
C3982	HCEC1CRV2100T	CAP, CHIP ELECT(16V/10uF)	
C3985	CCUI1H151JA	CAP, CHIP(1005, 50V/150pF)	
C3986	CCUI1H151JA	CAP, CHIP(1005, 50V/150pF)	
C3991	CCUI1H101JA	CAP, CHIP(1005, 50V/100pF)	
C3992	CCUI1H101JA	CAP, CHIP(1005, 50V/100pF)	
C3995	CCUI1H272KC	CAP, CHIP(1005, 50V/2700pF)	
C3996	CCUI1H272KC	CAP, CHIP(1005, 50V/2700pF)	
C3997	CCUI1C104KC	CAP , CHIP (1005, 16V/0.1uF)	
C3998	CCUI1C104KC	CAP , CHIP (1005, 16V/0.1uF)	
D1039	CVD1SS355T	DIODE, SMD, SWITCHING	
D1095	HVDUDZS4.3BSR	DIODE , ZENER (CHIP,4.3V)	
D1096	HVDUDZS9.1BSR	DIODE , ZENER (CHIP,9.1V)	
D1101	HVD1SR159-200	DIODE , RECTIFIER	

D1102	HVDRB160L60TE25	DIODE , SCHOTTKY BARRIER HK	ONLY C/CT VERSION
D1195	CVD1SS355T	DIODE, SMD, SWITCHING	
D1199	HVD1SR159-200	DIODE , RECTIFIER	
D1200	HVD1SR159-200	DIODE , RECTIFIER	
D1201	CVD1SS355T	DIODE, SMD, SWITCHING	
D1251	HVD1SR159-200	DIODE , RECTIFIER	
D1811	CVD1SS355T	DIODE, SMD, SWITCHING	
D1812	CVD1SS355T	DIODE, SMD, SWITCHING	
D1821	HVDRB160L60TE25	DIODE , SCHOTTKY BARRIER HK	
D1822	HVDRB160L60TE25	DIODE , SCHOTTKY BARRIER HK	
D2151	HVD1SR159-200	DIODE , RECTIFIER	
D2152	HVD1SR159-200	DIODE , RECTIFIER	
D2161	CVDSS34SR	DIODE , SCHOTTKY (40V,3A, DO-214AC) DELTA	
D3091	HVD1SR159-200	DIODE , RECTIFIER	
D3101	HVD1SR159-200	DIODE , RECTIFIER	
D3133	CVD1SS355T	DIODE, SMD, SWITCHING	
D3136	CVD1SS355T	DIODE, SMD, SWITCHING	
D3181	CVD1SS355T	DIODE, SMD, SWITCHING	
D3701	CVD1SS355T	DIODE, SMD, SWITCHING	
D3702	CVD1SS355T	DIODE, SMD, SWITCHING	
D3703	CVD1SS355T	DIODE, SMD, SWITCHING	
D3704	CVD1SS355T	DIODE, SMD, SWITCHING	
D3771	CVD1SS355T	DIODE, SMD, SWITCHING	
D3772	CVD1SS355T	DIODE, SMD, SWITCHING	
D3780	CVD1SS355T	DIODE, SMD, SWITCHING	
D3781	CVD1SS355T	DIODE, SMD, SWITCHING	
D4943	CRJ10DJ562T	RES, CHIP(1608/5%/5.6Kohm)	
IC101	CVISTM32F103ZET6	I.C , FLASH MCU (TQFP 20x20)	
IC103	CVIK24C64SIRGA	I.C , EEPROM(64KBIT,SOP-8P)	
IC110	CVIKIC3201S-33	I.C , REGULATOR (3V3)	
IC201	CVITMS320DA788B	I.C , DSP(S-PQFP-G144)	
IC211	CVIMX29LV320ETTI-70G	I.C , FLASH MEMORY (32MBIT,TSOP-48P)	
IC216	CVIKIA1117F00RTFP	I.C , 3-TERMINAL POS V-REG(1.1V~ADJ LOW DROP,DPARK	
IC217	CVIS-80810CNNB	I.C RESET 1V	
IC218	CVIS-80810CNNB	I.C RESET 1V	
IC219	HVILM1117S-3V3	I.C , REGULATOR (3.3V)	
IC221	CRTLM94022BIMG	SENSOR , TEMPERATURE	
IC294	HVITC7WH157FU	I.C , 2CH MULTIPLXER	
IC295	HVI74HCU04AFNG	I.C , INVERTER (TOSHIBA)	
IC297	HVITC7WH157FU	I.C , 2CH MULTIPLXER	
IC298	HVITC74VHC157FT	I.C , 2-CHANNEL MUX (TOSHIBA)	
IC299	HVICS42528-CQ	I.C , CODEC + DIR (CIRRUS LOGIC)	
IC301	CVIR2A15218FP	I.C , INPUT WITH 8CH VOLUME(100P QFP)	
IC312	CVIAZ4580MTR-E1	I.C , OPAMP(DUAL LOW NOISE)	
IC330	CVIAZ4580MTR-E1	I.C , OPAMP(DUAL LOW NOISE)	
IC332	CVIAZ4580MTR-E1	I.C , OPAMP(DUAL LOW NOISE)	
IC334	CVIAZ4580MTR-E1	I.C , OPAMP(DUAL LOW NOISE)	
IC336	CVIAZ4580MTR-E1	I.C , OPAMP(DUAL LOW NOISE)	
IC391	HVINJM2115MDTE1	IC, OP AMP	
IC392	HVINJM2115MDTE1	IC, OP AMP	
L1025	CLZ9R005Z	FERRITE CHIP BEAD(1608/60ohm)	
L1103	CLZ9R005Z	FERRITE CHIP BEAD(1608/60ohm)	
L1195	CLZ9R005Z	FERRITE CHIP BEAD(1608/60ohm)	

L1811	CLZ9R005Z	FERRITE CHIP BEAD(1608/60ohm)	
L1812	CLZ9R005Z	FERRITE CHIP BEAD(1608/60ohm)	
L1821	CLZ9R005Z	FERRITE CHIP BEAD(1608/60ohm)	
L1822	CLZ9R005Z	FERRITE CHIP BEAD(1608/60ohm)	
L2016	CLZ9R007Z	CHIP , BEAD (EMC FILTER)	
L2153	CLZ9Z014Z	FERRITE , CHIP BEAD(60ohm, 4516)	
L2154	CLZ9Z014Z	FERRITE , CHIP BEAD(60ohm, 4516)	
Q1051	HVTKRC107S	T.R , CHIP , SOT-23	
Q1054	HVTKRA107S	T.R , CHIP , SOT-23	
Q1055	HVTKRC107S	T.R , CHIP , SOT-23	
Q1059	HVTKRC107S	T.R , CHIP , SOT-23	
Q1089	HVTKRC107S	T.R , CHIP , SOT-23	
Q1092	HVTKRC107S	T.R , CHIP , SOT-23	
Q1095	HVTKRC107S	T.R , CHIP , SOT-23	
Q1209	HVTKTC812TB	T.R , CHIP(TS6)	
Q1212	HVTKRA107S	T.R , CHIP , SOT-23	
Q1213	HVTKRC107S	T.R , CHIP , SOT-23	
Q1812	HVTKRC107S	T.R , CHIP , SOT-23	
Q1814	HVTKRC107S	T.R , CHIP , SOT-23	
Q3111	HVTKTC812TB	T.R , CHIP(TS6)	
Q3121	HVTKTC812TB	T.R , CHIP(TS6)	
Q3136	HVTKTC2875B	T.R , CHIP	
Q3141	HVTKTC812TB	T.R , CHIP(TS6)	
Q3161	HVTKTC812TB	T.R , CHIP(TS6)	
Q3181	HVTKRC107S	T.R , CHIP , SOT-23	
Q3182	HVTKRC107S	T.R , CHIP , SOT-23	
Q3183	HVTKRA107S	T.R , CHIP , SOT-23	
Q3187	HVTKRC107S	T.R , CHIP , SOT-23	
Q3188	HVTKRC107S	T.R , CHIP , SOT-23	
Q3189	HVTKRA107S	T.R , CHIP , SOT-23	
Q3190	HVTKRC107S	T.R , CHIP , SOT-23	
Q3191	HVTKRC107S	T.R , CHIP , SOT-23	
Q3192	HVTKRA107S	T.R , CHIP , SOT-23	
Q3193	HVTKRC107S	T.R , CHIP , SOT-23	
Q3194	HVTKRA107S	T.R , CHIP , SOT-23	
Q3195	HVTKRC107S	T.R , CHIP , SOT-23	
RX107	CRJ064J330T	RES, CHIP(1005/5%/33ohm*4)	
RX108	CRJ064J330T	RES, CHIP(1005/5%/33ohm*4)	
RX109	CRJ064J330T	RES, CHIP(1005/5%/33ohm*4)	
RX121	CRJ064J101T	RES, CHIP(1005/5%/100ohm*4)	
RX201	CRJ064J101T	RES, CHIP(1005/5%/100ohm*4)	
RX202	CRJ064J101T	RES, CHIP(1005/5%/100ohm*4)	
RX203	CRJ064J101T	RES, CHIP(1005/5%/100ohm*4)	
RX204	CRJ064J101T	RES, CHIP(1005/5%/100ohm*4)	
RX205	CRJ064J101T	RES, CHIP(1005/5%/100ohm*4)	
RX206	CRJ064J101T	RES, CHIP(1005/5%/100ohm*4)	
RX207	CRJ064J101T	RES, CHIP(1005/5%/100ohm*4)	
RX208	CRJ064J101T	RES, CHIP(1005/5%/100ohm*4)	
RX209	CRJ064J101T	RES, CHIP(1005/5%/100ohm*4)	
RX210	CRJ064J101T	RES, CHIP(1005/5%/100ohm*4)	
RX211	CRJ064J101T	RES, CHIP(1005/5%/100ohm*4)	
R1002	CRJ06J0R0T	RES, CHIP(1005/5%/0ohm)	
R1003	CRJ06J103T	RES, CHIP(1005/5%/10Kohm)	

ONLY C/CT VERSION



R1004	CRJ06U103T	RES, CHIP(1005/5%/10Kohm)	ONLY AH VERSION
R1005	CRJ06U0R0T	RES, CHIP(1005/5%/0ohm)	
R1007	CRJ06U103T	RES, CHIP(1005/5%/10Kohm)	
R1008	CRJ06U103T	RES, CHIP(1005/5%/10Kohm)	
R1009	CRJ06U103T	RES, CHIP(1005/5%/10Kohm)	
R1010	CRJ06U103T	RES, CHIP(1005/5%/10Kohm)	
R1011	CRJ06U103T	RES, CHIP(1005/5%/10Kohm)	
R1016	CRJ10DJ105T	RES, CHIP(1608/5%/1Mohm)	
R1017	CRJ10DJ471T	RES, CHIP(1608/5%/470ohm)	
R1018	CRJ06U101T	RES, CHIP(1005/5%/100ohm)	
R1019	CRJ06U103T	RES, CHIP(1005/5%/10Kohm)	
R1020	CRJ06U103T	RES, CHIP(1005/5%/10Kohm)	
R1021	CRJ06U103T	RES, CHIP(1005/5%/10Kohm)	
R1024	CRJ10DJ2R2T	RES, CHIP(1608/5%/2.2ohm)	
R1028	CRJ06U473T	RES, CHIP(1005/5%/47Kohm)	
R1029	CRJ06U473T	RES, CHIP(1005/5%/47Kohm)	
R1030	CRJ06U473T	RES, CHIP(1005/5%/47Kohm)	
R1031	CRJ06U330T	RES, CHIP(1005/5%/33ohm)	
R1032	CRJ06U153T	RES, CHIP(1005/5%/15Kohm)	
R1035	CRJ06U330T	RES, CHIP(1005/5%/33ohm)	
R1036	CRJ06U330T	RES, CHIP(1005/5%/33ohm)	
R1037	CRJ06U103T	RES, CHIP(1005/5%/10Kohm)	
R1039	CRJ06U332T	RES, CHIP(1005/5%/3.3Kohm)	
R1040	CRJ06U103T	RES, CHIP(1005/5%/10Kohm)	
R1041	CRJ06U472T	RES, CHIP(1005/5%/4.7Kohm)	
R1042	CRJ06U101T	RES, CHIP(1005/5%/100ohm)	
R1043	CRJ06U472T	RES, CHIP(1005/5%/4.7Kohm)	
R1044	CRJ06U101T	RES, CHIP(1005/5%/100ohm)	
R1045	CRJ06U472T	RES, CHIP(1005/5%/4.7Kohm)	
R1046	CRJ06U472T	RES, CHIP(1005/5%/4.7Kohm)	
R1047	CRJ06U101T	RES, CHIP(1005/5%/100ohm)	
R1048	CRJ06U101T	RES, CHIP(1005/5%/100ohm)	
R1049	CRJ06U103T	RES, CHIP(1005/5%/10Kohm)	
R1050	CRJ06U101T	RES, CHIP(1005/5%/100ohm)	
R1051	CRJ06U103T	RES, CHIP(1005/5%/10Kohm)	
R1055	CRJ06U0R0T	RES, CHIP(1005/5%/0ohm)	
R1056	CRJ06U0R0T	RES, CHIP(1005/5%/0ohm)	
R1058	CRJ06U103T	RES, CHIP(1005/5%/10Kohm)	
R1060	CRJ06U103T	RES, CHIP(1005/5%/10Kohm)	
R1061	CRJ06U103T	RES, CHIP(1005/5%/10Kohm)	
R1067	CRJ06U330T	RES, CHIP(1005/5%/33ohm)	
R1068	CRJ06U330T	RES, CHIP(1005/5%/33ohm)	
R1071	CRJ10DJ0R0T	RES, CHIP(1608/5%/0ohm)	
R1072	CRJ10DJ0R0T	RES, CHIP(1608/5%/0ohm)	
R1081	CRJ06U103T	RES, CHIP(1005/5%/10Kohm)	
R1083	CRJ06U101T	RES, CHIP(1005/5%/100ohm)	
R1084	CRJ06U101T	RES, CHIP(1005/5%/100ohm)	
R1085	CRJ06U103T	RES, CHIP(1005/5%/10Kohm)	
R1089	CRJ06U103T	RES, CHIP(1005/5%/10Kohm)	
R1091	CRJ06U472T	RES, CHIP(1005/5%/4.7Kohm)	
R1092	CRJ06U472T	RES, CHIP(1005/5%/4.7Kohm)	
R1093	CRJ06U103T	RES, CHIP(1005/5%/10Kohm)	
R1094	CRJ06U104T	RES, CHIP(1005/5%/100Kohm)	

R1095	CRJ06U103T	RES, CHIP(1005/5%/10Kohm)	
R1101	CRJ10DJ101T	RES, CHIP(1608/5%/100ohm)	
R1102	CRJ10DJ101T	RES, CHIP(1608/5%/100ohm)	
R1120	CRJ14CJ0R0T	RES, CHIP(3216/5%/0ohm)	
R1195	CRJ06U103T	RES, CHIP(1005/5%/10Kohm)	
R1201	CRJ06U271T	RES, CHIP(1005/5%/270ohm)	
R1202	CRJ06U271T	RES, CHIP(1005/5%/270ohm)	
R1207	CRJ06U273T	RES, CHIP(1005/5%/27Kohm)	
R1208	CRJ06U273T	RES, CHIP(1005/5%/27Kohm)	
R1209	CRJ06U472T	RES, CHIP(1005/5%/4.7Kohm)	
R1210	CRJ06U472T	RES, CHIP(1005/5%/4.7Kohm)	
R1211	CRJ06U105T	RES, CHIP(1005/5%/1Mohm)	
R1213	CRJ06U561T	RES, CHIP(1005/5%/560ohm)	
R1214	CRJ06U561T	RES, CHIP(1005/5%/560ohm)	
R1221	CRJ06U101T	RES, CHIP(1005/5%/100ohm)	
R1817	CRJ14CJ100T	RES, CHIP(3216/5%/10ohm)	
R1818	CRJ10DJ103T	RES, CHIP(1608/5%/10Kohm)	
R1819	CRJ10DJ562T	RES, CHIP(1608/5%/5.6Kohm)	
R1820	CRJ14CJ100T	RES, CHIP(3216/5%/10ohm)	
R1831	CRJ10DJ104T	RES, CHIP(1608/5%/100Kohm)	
R2002	CRJ06U104T	RES, CHIP(1005/5%/100Kohm)	
R2003	CRJ06U103T	RES, CHIP(1005/5%/10Kohm)	
R2004	CRJ06U103T	RES, CHIP(1005/5%/10Kohm)	
R2005	CRJ06U103T	RES, CHIP(1005/5%/10Kohm)	
R2006	CRJ06U103T	RES, CHIP(1005/5%/10Kohm)	
R2007	CRJ06U103T	RES, CHIP(1005/5%/10Kohm)	
R2009	CRJ06U0R0T	RES, CHIP(1005/5%/0ohm)	
R2014	CRJ06U105T	RES, CHIP(1005/5%/1Mohm)	
R2015	CRJ06U271T	RES, CHIP(1005/5%/270ohm)	
R2024	CRJ06U560T	RES, CHIP(1005/5%/56ohm)	
R2034	CRJ06U0R0T	RES, CHIP(1005/5%/0ohm)	
R2035	CRJ06U0R0T	RES, CHIP(1005/5%/0ohm)	
R2036	CRJ06U0R0T	RES, CHIP(1005/5%/0ohm)	
R2037	CRJ06U0R0T	RES, CHIP(1005/5%/0ohm)	
R2038	CRJ06U0R0T	RES, CHIP(1005/5%/0ohm)	
R2042	CRJ06U103T	RES, CHIP(1005/5%/10Kohm)	
R2044	CRJ06U103T	RES, CHIP(1005/5%/10Kohm)	
R2045	CRJ06U103T	RES, CHIP(1005/5%/10Kohm)	
R2046	CRJ06U103T	RES, CHIP(1005/5%/10Kohm)	
R2048	CRJ06U103T	RES, CHIP(1005/5%/10Kohm)	
R2051	CRJ06U103T	RES, CHIP(1005/5%/10Kohm)	
R2053	CRJ06U103T	RES, CHIP(1005/5%/10Kohm)	
R2054	CRJ06U103T	RES, CHIP(1005/5%/10Kohm)	
R2056	CRJ06U103T	RES, CHIP(1005/5%/10Kohm)	
R2057	CRJ06U103T	RES, CHIP(1005/5%/10Kohm)	
R2058	CRJ06U103T	RES, CHIP(1005/5%/10Kohm)	
R2059	CRJ06U103T	RES, CHIP(1005/5%/10Kohm)	
R2060	CRJ06U103T	RES, CHIP(1005/5%/10Kohm)	
R2061	CRJ06U103T	RES, CHIP(1005/5%/10Kohm)	
R2062	CRJ06U101T	RES, CHIP(1005/5%/100ohm)	
R2063	CRJ06U101T	RES, CHIP(1005/5%/100ohm)	
R2101	CRJ06U103T	RES, CHIP(1005/5%/10Kohm)	
R2102	CRJ06U103T	RES, CHIP(1005/5%/10Kohm)	

R2103	CRJ06U103T	RES, CHIP(1005/5%/10Kohm)	
R2105	CRJ06U103T	RES, CHIP(1005/5%/10Kohm)	
R2106	CRJ06U103T	RES, CHIP(1005/5%/10Kohm)	
R2108	CRJ06U103T	RES, CHIP(1005/5%/10Kohm)	
R2109	CRJ06U103T	RES, CHIP(1005/5%/10Kohm)	
R2110	CRJ06U103T	RES, CHIP(1005/5%/10Kohm)	
R2161	CRJ10DF3R30T	RES, CHIP(1608/1%/3.3ohm)	
R2162	CRJ10DF2200T	RES, CHIP(1608/1%/220ohm)	
R2171	CRJ06U222T	RES, CHIP(1005/5%/2.2Kohm)	
R2172	CRJ06U223T	RES, CHIP(1005/5%/22Kohm)	
R2173	CRJ06U222T	RES, CHIP(1005/5%/2.2Kohm)	
R2181	CRJ06U183T	RES, CHIP(1005/5%/18Kohm)	
R2182	CRJ06U103T	RES, CHIP(1005/5%/10Kohm)	
R2401	CRJ10DJ0R0T	RES, CHIP(1608/5%/0ohm)	
R2402	CRJ10DJ0R0T	RES, CHIP(1608/5%/0ohm)	
R2403	CRJ10DJ0R0T	RES, CHIP(1608/5%/0ohm)	
R2404	CRJ10DJ0R0T	RES, CHIP(1608/5%/0ohm)	
R2405	CRJ10DJ0R0T	RES, CHIP(1608/5%/0ohm)	
R2406	CRJ10DJ0R0T	RES, CHIP(1608/5%/0ohm)	
R2901	CRJ06U103T	RES, CHIP(1005/5%/10Kohm)	
R2902	CRJ06U103T	RES, CHIP(1005/5%/10Kohm)	
R2903	CRJ06U330T	RES, CHIP(1005/5%/33ohm)	
R2904	CRJ06U330T	RES, CHIP(1005/5%/33ohm)	
R2905	CRJ06U103T	RES, CHIP(1005/5%/10Kohm)	
R2906	CRJ06U330T	RES, CHIP(1005/5%/33ohm)	
R2907	CRJ06U330T	RES, CHIP(1005/5%/33ohm)	
R2908	CRJ06U103T	RES, CHIP(1005/5%/10Kohm)	
R2911	CRJ06U0R0T	RES, CHIP(1005/5%/0ohm)	
R2912	CRJ06U223T	RES, CHIP(1005/5%/22Kohm)	
R2921	CRJ10DF1501T	RES, CHIP(1608/1%/1.5Kohm)	
R2922	CRJ06U0R0T	RES, CHIP(1005/5%/0ohm)	
R2941	CRJ06U330T	RES, CHIP(1005/5%/33ohm)	
R2942	CRJ06U101T	RES, CHIP(1005/5%/100ohm)	
R2943	CRJ06U105T	RES, CHIP(1005/5%/1Mohm)	
R2944	CRJ06U105T	RES, CHIP(1005/5%/1Mohm)	
R2945	CRJ06U330T	RES, CHIP(1005/5%/33ohm)	
R2946	CRJ06U330T	RES, CHIP(1005/5%/33ohm)	
R2949	CRJ06U102T	RES, CHIP(1005/5%/1Kohm)	
R2951	CRJ06U750T	RES, CHIP(1005/5%/75ohm)	
R2952	CRJ06U100T	RES, CHIP(1005/5%/10ohm)	
R2953	CRJ06U330T	RES, CHIP(1005/5%/33ohm)	
R2954	CRJ06U102T	RES, CHIP(1005/5%/1Kohm)	
R2955	CRJ06U330T	RES, CHIP(1005/5%/33ohm)	
R2956	CRJ06U100T	RES, CHIP(1005/5%/10ohm)	
R2957	CRJ06U750T	RES, CHIP(1005/5%/75ohm)	
R2960	CRJ06U473T	RES, CHIP(1005/5%/47Kohm)	
R2961	CRJ06U473T	RES, CHIP(1005/5%/47Kohm)	
R2962	CRJ06U0R0T	RES, CHIP(1005/5%/0ohm)	
R2963	CRJ06U0R0T	RES, CHIP(1005/5%/0ohm)	
R2964	CRJ06U101T	RES, CHIP(1005/5%/100ohm)	
R2965	CRJ06U101T	RES, CHIP(1005/5%/100ohm)	
R2966	CRJ06U473T	RES, CHIP(1005/5%/47Kohm)	
R2967	CRJ06U473T	RES, CHIP(1005/5%/47Kohm)	

R2969	CRJ06J0R0T	RES, CHIP(1005/5%/0ohm)	
R2971	CRJ06J101T	RES, CHIP(1005/5%/100ohm)	
R2975	CRJ06J473T	RES, CHIP(1005/5%/47Kohm)	
R2976	CRJ06J473T	RES, CHIP(1005/5%/47Kohm)	
R2977	CRJ06J473T	RES, CHIP(1005/5%/47Kohm)	
R2978	CRJ06J473T	RES, CHIP(1005/5%/47Kohm)	
R2979	CRJ06J101T	RES, CHIP(1005/5%/100ohm)	
R2980	CRJ06J105T	RES, CHIP(1005/5%/1Mohm)	
R2981	CRJ06J560T	RES, CHIP(1005/5%/56ohm)	
R2982	CRJ06J101T	RES, CHIP(1005/5%/100ohm)	
R3001	CRJ06J471T	RES, CHIP(1005/5%/470ohm)	
R3002	CRJ06J471T	RES, CHIP(1005/5%/470ohm)	
R3003	CRJ06J104T	RES, CHIP(1005/5%/100Kohm)	
R3004	CRJ06J104T	RES, CHIP(1005/5%/100Kohm)	
R3005	CRJ06J471T	RES, CHIP(1005/5%/470ohm)	
R3006	CRJ06J471T	RES, CHIP(1005/5%/470ohm)	
R3007	CRJ06J104T	RES, CHIP(1005/5%/100Kohm)	
R3008	CRJ06J104T	RES, CHIP(1005/5%/100Kohm)	
R3011	CRJ06J471T	RES, CHIP(1005/5%/470ohm)	
R3012	CRJ06J471T	RES, CHIP(1005/5%/470ohm)	
R3013	CRJ06J104T	RES, CHIP(1005/5%/100Kohm)	
R3014	CRJ06J104T	RES, CHIP(1005/5%/100Kohm)	
R3031	CRJ06J104T	RES, CHIP(1005/5%/100Kohm)	
R3032	CRJ06J104T	RES, CHIP(1005/5%/100Kohm)	
R3033	CRJ06J471T	RES, CHIP(1005/5%/470ohm)	
R3034	CRJ06J471T	RES, CHIP(1005/5%/470ohm)	
R3051	CRJ06J104T	RES, CHIP(1005/5%/100Kohm)	
R3052	CRJ06J104T	RES, CHIP(1005/5%/100Kohm)	
R3054	CRJ10DJ0R0T	RES, CHIP(1608/5%/0ohm)	
R3071	CRJ10DJ472T	RES, CHIP(1608/5%/4.7Kohm)	
R3074	CRJ10DJ472T	RES, CHIP(1608/5%/4.7Kohm)	
R3089	CRJ06J105T	RES, CHIP(1005/5%/1Mohm)	
R3091	CRJ06J104T	RES, CHIP(1005/5%/100Kohm)	
R3092	CRJ06J104T	RES, CHIP(1005/5%/100Kohm)	
R3093	CRJ06J104T	RES, CHIP(1005/5%/100Kohm)	
R3094	CRJ06J104T	RES, CHIP(1005/5%/100Kohm)	
R3095	CRJ06J104T	RES, CHIP(1005/5%/100Kohm)	
R3096	CRJ06J104T	RES, CHIP(1005/5%/100Kohm)	
R3097	CRJ06J104T	RES, CHIP(1005/5%/100Kohm)	
R3098	CRJ06J104T	RES, CHIP(1005/5%/100Kohm)	
R3105	CRJ06J0R0T	RES, CHIP(1005/5%/0ohm)	
R3106	CRJ06J0R0T	RES, CHIP(1005/5%/0ohm)	
R3107	CRJ06J104T	RES, CHIP(1005/5%/100Kohm)	
R3108	CRJ06J104T	RES, CHIP(1005/5%/100Kohm)	
R3109	CRJ06J561T	RES, CHIP(1005/5%/560ohm)	
R3110	CRJ06J561T	RES, CHIP(1005/5%/560ohm)	
R3113	CRJ06J392T	RES, CHIP(1005/5%/3.9Kohm)	
R3114	CRJ06J392T	RES, CHIP(1005/5%/3.9Kohm)	
R3121	CRJ06J473T	RES, CHIP(1005/5%/47Kohm)	
R3123	CRJ06J122T	RES, CHIP(1005/5%/1.2Kohm)	
R3125	CRJ06J103T	RES, CHIP(1005/5%/10Kohm)	
R3127	CRJ06J104T	RES, CHIP(1005/5%/100Kohm)	
R3128	CRJ06J104T	RES, CHIP(1005/5%/100Kohm)	

R3129	CRJ06U561T	RES, CHIP(1005/5%/560ohm)	
R3130	CRJ06U561T	RES, CHIP(1005/5%/560ohm)	
R3131	CRJ06U183T	RES, CHIP(1005/5%/18Kohm)	
R3133	CRJ06U392T	RES, CHIP(1005/5%/3.9Kohm)	
R3134	CRJ06U392T	RES, CHIP(1005/5%/3.9Kohm)	
R3136	CRJ06U392T	RES, CHIP(1005/5%/3.9Kohm)	
R3137	CRJ06U561T	RES, CHIP(1005/5%/560ohm)	
R3145	CRJ06U0R0T	RES, CHIP(1005/5%/0ohm)	
R3146	CRJ06U0R0T	RES, CHIP(1005/5%/0ohm)	
R3147	CRJ06U104T	RES, CHIP(1005/5%/100Kohm)	
R3148	CRJ06U104T	RES, CHIP(1005/5%/100Kohm)	
R3149	CRJ06U561T	RES, CHIP(1005/5%/560ohm)	
R3150	CRJ06U561T	RES, CHIP(1005/5%/560ohm)	
R3153	CRJ06U392T	RES, CHIP(1005/5%/3.9Kohm)	
R3154	CRJ06U392T	RES, CHIP(1005/5%/3.9Kohm)	
R3165	CRJ06U0R0T	RES, CHIP(1005/5%/0ohm)	
R3166	CRJ06U0R0T	RES, CHIP(1005/5%/0ohm)	
R3167	CRJ06U104T	RES, CHIP(1005/5%/100Kohm)	
R3168	CRJ06U104T	RES, CHIP(1005/5%/100Kohm)	
R3169	CRJ06U561T	RES, CHIP(1005/5%/560ohm)	
R3170	CRJ06U561T	RES, CHIP(1005/5%/560ohm)	
R3173	CRJ06U392T	RES, CHIP(1005/5%/3.9Kohm)	
R3174	CRJ06U392T	RES, CHIP(1005/5%/3.9Kohm)	
R3181	CRJ06U103T	RES, CHIP(1005/5%/10Kohm)	
R3183	CRJ06U105T	RES, CHIP(1005/5%/1Mohm)	
R3187	CRJ06U103T	RES, CHIP(1005/5%/10Kohm)	
R3190	CRJ06U103T	RES, CHIP(1005/5%/10Kohm)	
R3192	CRJ06U105T	RES, CHIP(1005/5%/1Mohm)	
R3193	CRJ06U105T	RES, CHIP(1005/5%/1Mohm)	
R3194	CRJ06U103T	RES, CHIP(1005/5%/10Kohm)	
R3211	CRJ06U0R0T	RES, CHIP(1005/5%/0ohm)	
R3212	CRJ06U0R0T	RES, CHIP(1005/5%/0ohm)	
R3213	CRJ06U0R0T	RES, CHIP(1005/5%/0ohm)	
R3214	CRJ06U0R0T	RES, CHIP(1005/5%/0ohm)	
R3216	CRJ06U0R0T	RES, CHIP(1005/5%/0ohm)	
R3217	CRJ06U0R0T	RES, CHIP(1005/5%/0ohm)	
R3218	CRJ06U0R0T	RES, CHIP(1005/5%/0ohm)	
R3301	CRJ06U332T	RES, CHIP(1005/5%/3.3Kohm)	
R3302	CRJ06U332T	RES, CHIP(1005/5%/3.3Kohm)	
R3303	CRJ06U332T	RES, CHIP(1005/5%/3.3Kohm)	
R3304	CRJ06U332T	RES, CHIP(1005/5%/3.3Kohm)	
R3305	CRJ06U472T	RES, CHIP(1005/5%/4.7Kohm)	
R3306	CRJ06U472T	RES, CHIP(1005/5%/4.7Kohm)	
R3309	CRJ06U182T	RES, CHIP(1005/5%/1.8Kohm)	
R3310	CRJ06U182T	RES, CHIP(1005/5%/1.8Kohm)	
R3321	CRJ06U332T	RES, CHIP(1005/5%/3.3Kohm)	
R3322	CRJ06U332T	RES, CHIP(1005/5%/3.3Kohm)	
R3323	CRJ06U332T	RES, CHIP(1005/5%/3.3Kohm)	
R3324	CRJ06U332T	RES, CHIP(1005/5%/3.3Kohm)	
R3325	CRJ06U472T	RES, CHIP(1005/5%/4.7Kohm)	
R3326	CRJ06U682T	RES, CHIP(1005/5%/6.8Kohm)	
R3329	CRJ06U182T	RES, CHIP(1005/5%/1.8Kohm)	
R3330	CRJ06U682T	RES, CHIP(1005/5%/6.8Kohm)	

R3341	CRJ06U332T	RES, CHIP(1005/5%/3.3Kohm)	
R3342	CRJ06U332T	RES, CHIP(1005/5%/3.3Kohm)	
R3343	CRJ06U332T	RES, CHIP(1005/5%/3.3Kohm)	
R3344	CRJ06U332T	RES, CHIP(1005/5%/3.3Kohm)	
R3345	CRJ06U472T	RES, CHIP(1005/5%/4.7Kohm)	
R3346	CRJ06U472T	RES, CHIP(1005/5%/4.7Kohm)	
R3349	CRJ06U182T	RES, CHIP(1005/5%/1.8Kohm)	
R3350	CRJ06U182T	RES, CHIP(1005/5%/1.8Kohm)	
R3361	CRJ06U332T	RES, CHIP(1005/5%/3.3Kohm)	
R3362	CRJ06U332T	RES, CHIP(1005/5%/3.3Kohm)	
R3363	CRJ06U332T	RES, CHIP(1005/5%/3.3Kohm)	
R3364	CRJ06U332T	RES, CHIP(1005/5%/3.3Kohm)	
R3365	CRJ06U472T	RES, CHIP(1005/5%/4.7Kohm)	
R3366	CRJ06U472T	RES, CHIP(1005/5%/4.7Kohm)	
R3369	CRJ06U182T	RES, CHIP(1005/5%/1.8Kohm)	
R3370	CRJ06U182T	RES, CHIP(1005/5%/1.8Kohm)	
R3422	CRJ10DJ223T	RES, CHIP(1608/5%/22Kohm)	
R3521	CRJ10DJ0R0T	RES, CHIP(1608/5%/0ohm)	
R3522	CRJ10DJ0R0T	RES, CHIP(1608/5%/0ohm)	
R3523	CRJ10DJ0R0T	RES, CHIP(1608/5%/0ohm)	
R3524	CRJ10DJ0R0T	RES, CHIP(1608/5%/0ohm)	
R3526	CRJ10DJ0R0T	RES, CHIP(1608/5%/0ohm)	
R3528	CRJ06U0R0T	RES, CHIP(1005/5%/0ohm)	
R3529	CRJ10DJ0R0T	RES, CHIP(1608/5%/0ohm)	
R3530	CRJ10DJ0R0T	RES, CHIP(1608/5%/0ohm)	
R3701	CRJ10DJ4R7T	RES, CHIP(1608/5%/4.7ohm)	
R3703	CRJ10DJ4R7T	RES, CHIP(1608/5%/4.7ohm)	
R3771	CRJ10DJ4R7T	RES, CHIP(1608/5%/4.7ohm)	
R3780	CRJ10DJ4R7T	RES, CHIP(1608/5%/4.7ohm)	
R3972	CRJ06U392T	RES, CHIP(1005/5%/3.9Kohm)	
R3973	CRJ06U472T	RES, CHIP(1005/5%/4.7Kohm)	
R3981	CRJ06U0R0T	RES, CHIP(1005/5%/0ohm)	
R3982	CRJ06U0R0T	RES, CHIP(1005/5%/0ohm)	
R3983	CRJ06U272T	RES, CHIP(1005/5%/2.7Kohm)	
R3984	CRJ06U272T	RES, CHIP(1005/5%/2.7Kohm)	
R3985	CRJ06U272T	RES, CHIP(1005/5%/2.7Kohm)	
R3986	CRJ06U272T	RES, CHIP(1005/5%/2.7Kohm)	
R3987	CRJ06U101T	RES, CHIP(1005/5%/100ohm)	
R3988	CRJ06U101T	RES, CHIP(1005/5%/100ohm)	
R3989	CRJ06U472T	RES, CHIP(1005/5%/4.7Kohm)	
R3990	CRJ06U472T	RES, CHIP(1005/5%/4.7Kohm)	
R3991	CRJ06U472T	RES, CHIP(1005/5%/4.7Kohm)	
R3992	CRJ06U472T	RES, CHIP(1005/5%/4.7Kohm)	
R3993	CRJ06U101T	RES, CHIP(1005/5%/100ohm)	
R3994	CRJ06U101T	RES, CHIP(1005/5%/100ohm)	
BK301	CMD1A569	BRACKET , PCB	
BK311	CMD1A629	BRACKET , PCB	
BN101	CWB1C00518047	WIRE ASS'Y	
BN161	CJP34GB142ZB	PIN HEADER (34P, 2.54mm) , ANGLE TYPE	
BN199	CWB1C01510047	WIRE ASS'Y(15P, 2MM, 100MM)	
BN201	CWB1C00308058	WIRE ASS'Y (3PIN,2.5mm,80mm)	
CN111	CJP23GA285ZN	WAFER,FPC 1.25mm,stright	
CN141	CJP12GA287ZD	PIN HEADER(12P,2.54mm),STRAIGHT TYPE	

CN171	CJP07GI236ZW	LOCK-WAFER/STRAIGHT/2mm	
CN181	CJP02GA01ZY	WAFER,YMW025(2.5mm,STRAIGHT)	
CN182	CJP02GA01ZY	WAFER,YMW025(2.5mm,STRAIGHT)	
CN183	CJP07GI237ZW	LOCK-WAFER/STRAIGHT/2.5mm	
CN201	CJP03GI237ZW	LOCK-WAFER/STRAIGHT/2.5mm	
C3071	HCQI1H223JZT	CAP , MYLAR	
C3072	HCQI1H473JZT	CAP , MYLAR	
C3073	CCME2A154JXT	CAP,METAL-FILM(100V/0.15uF)	
C3074	HCQI1H223JZT	CAP , MYLAR	
C3075	HCQI1H473JZT	CAP , MYLAR	
C3076	CCME2A154JXT	CAP,METAL-FILM(100V/0.15uF)	
IC181	CVIKIA278R12PIYA HVIKIA278R12PI	IC HEAT SINK ASS'Y(CMY5A222/HVIKIA278R12PI) REGULATOR(12V OUTPUT LOW DROP)	
IC182	CVIKIA7912PIXA HVIKIA7912PI	IC HEAT SINK ASS'Y(CMY5A222/HVIKIA7912PI) I.C,REGULATOR(-12V,T0220IS)	
IC307	HVIKIA7808API	I.C,REGULATOR(+8V,T0220IS)	
IC308	CVIKIA7908PI	I.C,REGULATOR(-8V,T0220IS)	
JK291	CJS9U015Z	JACK , OPT+1P RCA, RX, YKC22-0877V, GOLD	
JK292	CJS9U015Z	JACK , OPT+1P RCA, RX, YKC22-0877V, GOLD	
JK301	CJJ4P019W	JACK , RCA	
JK302	CJJ4P019W	JACK , RCA	
JK485	CJS6V001Z	JACK , DIN 9P	ONLY C/CT VERSION
JW101	CWE8202120RV	WIRE ASS'Y	
L1201	CLM4B001Z	COIL , MPX(FM 19KHz FILTER)	
L1202	CLM4B001Z	COIL , MPX(FM 19KHz FILTER)	
Q1811	HVTKTA1271YT	T.R	
Q1813	HVTKTA1271YT	T.R	
R1812	CRG1ANJ470H	RES , METAL OXIDE FILM	
R1816	CRG1ANJ4R7H	RES , METAL OXIDE FILM	
TUN01	CNVMW104MV1S63N	TUNER(EUR) FM, AM, RDS(S/LAB)	ONLY C/CT VERSION
TUN01	CNVMW104MV1S63SN	TUNER(USA) FM, AM, RDS(S/LAB)	ONLY AH VERSION
X1016	HOX08000E160C	CRYSTAL 8MHz	
X2010	COX17733E12TD	CRYSTAL, 17.733MHz, AT-49, 12pF, 10PPM	
X2980	COX24576E180TF CUP12372Z	CRYSTAL, 24.576MHz, HC-49/S, 18pF, 20PPM PCB , MAIN T748 (330x247, FR-1/1)	
C8003	CCEA1HH100TC	CAP , ELECT(50V/10uF)	
C8004	CCFT1H103ZF	CAP , CERAMIC	
C8103	CCEA1HH100TC	CAP , ELECT(50V/10uF)	
C8104	CCFT1H103ZF	CAP , CERAMIC	
C8203	CCEA1HH100TC	CAP , ELECT(50V/10uF)	
C8204	CCFT1H103ZF	CAP , CERAMIC	
C8303	CCEA1HH100TC	CAP , ELECT(50V/10uF)	
C8304	CCFT1H103ZF	CAP , CERAMIC	
C8403	CCEA1HH100TC	CAP , ELECT(50V/10uF)	
C8404	CCFT1H103ZF	CAP , CERAMIC	
C8503	CCEA1HH100TC	CAP , ELECT(50V/10uF)	
C8504	CCFT1H103ZF	CAP , CERAMIC	
C8603	CCEA1HH100TC	CAP , ELECT(50V/10uF)	
C8604	CCFT1H103ZF	CAP , CERAMIC	
C8700	CCFT1H104ZF	CAP , SEMICONDUCTOR	
C8701	CCEA1HH101TC	CAP , ELECT(50V/100uF)	
C8702	CCEA1HH1R0TC	CAP , ELECT(50V/1uF)	
C8703	CCEA1VH101TC	CAP , ELECT(35V/100uF)	

C8704	CCEA1HH100TC	CAP , ELECT(50V/10uF)	
C8705	CCFT1H103ZF	CAP , CERAMIC	
C8715	CCBS1H221KBT	CAP , CERAMIC(220PF/50V)	
C8716	CCBS1H221KBT	CAP , CERAMIC(220PF/50V)	
C8717	CCBS1H221KBT	CAP , CERAMIC(220PF/50V)	
C8718	CCBS1H221KBT	CAP , CERAMIC(220PF/50V)	
C8719	CCBS1H221KBT	CAP , CERAMIC(220PF/50V)	
C8720	CCBS1H221KBT	CAP , CERAMIC(220PF/50V)	
C8721	CCBS1H221KBT	CAP , CERAMIC(220PF/50V)	
C8722	CCBS1H221KBT	CAP , CERAMIC(220PF/50V)	
C8723	CCBS1H221KBT	CAP , CERAMIC(220PF/50V)	
C8724	CCBS1H221KBT	CAP , CERAMIC(220PF/50V)	
C8725	CCBS1H104ZFT	CAP , CERAMIC	
C8726	CCBS1H104ZFT	CAP , CERAMIC	
C8800	HCQI1H473JZT	CAP , MYLAR	
C8801	HCQI1H473JZT	CAP , MYLAR	
C8802	HCQI1H473JZT	CAP , MYLAR	
C8803	HCQI1H473JZT	CAP , MYLAR	
C8804	HCQI1H473JZT	CAP , MYLAR	
C8805	HCQI1H473JZT	CAP , MYLAR	
C8806	HCQI1H473JZT	CAP , MYLAR	
C8807	CCFT1H104ZF	CAP , SEMICONDUCTOR	
C8808	CCFT1H104ZF	CAP , SEMICONDUCTOR	
C8809	CCFT1H104ZF	CAP , SEMICONDUCTOR	
C8810	KCME2E104JP04T	CAP , M-FILM(250V/0.1uF)	
C8811	KCME2E104JP04T	CAP , M-FILM(250V/0.1uF)	
C8816	CCEA1HH220TC	CAP , ELECT(50V/22uF)	
C8821	HCQI1H103JZT	CAP , MYLAR	
C8822	HCQI1H103JZT	CAP , MYLAR	
C8823	CCME2A154JXT	CAP,METAL-FILM(100V/0.15uF)	
C8826	CCFT1H104ZF	CAP , SEMICONDUCTOR	
C8827	CCFT1H104ZF	CAP , SEMICONDUCTOR	
C8830	CCME2A154JXT	CAP,METAL-FILM(100V/0.15uF)	
C8835	CCFT1H104ZF	CAP , SEMICONDUCTOR	
D8001	CVD1SS133MT	DIODE , SWITCHING	
D8101	CVD1SS133MT	DIODE , SWITCHING	
D8201	CVD1SS133MT	DIODE , SWITCHING	
D8301	CVD1SS133MT	DIODE , SWITCHING	
D8401	CVD1SS133MT	DIODE , SWITCHING	
D8501	CVD1SS133MT	DIODE , SWITCHING	
D8601	CVD1SS133MT	DIODE , SWITCHING	
D8705	CVDZJ5.1BT	DIODE , ZENER 5.1V	
D8706	CVD1SS133MT	DIODE , SWITCHING	
D8707	CVD1SS133MT	DIODE , SWITCHING	
D8711	CVDZJ12BT	DIODE , ZENER 12V	
D8712	CVDZJ12BT	DIODE , ZENER 12V	
D8716	CVD1SS133MT	DIODE , SWITCHING	
D8717	CVD1SS133MT	DIODE , SWITCHING	
D8718	CVD1SS133MT	DIODE , SWITCHING	
D8719	CVD1SS133MT	DIODE , SWITCHING	
D8800	CVD1N4003SRT	DIODE , RECT	
D8801	CVD1N4003SRT	DIODE , RECT	
D8802	CVD1N4003SRT	DIODE , RECT	



D8803	CVD1N4003SRT	DIODE , RECT	
D8804	CVD1N4003SRT	DIODE , RECT	
D8811	CVD1N4003ST	DIODE , RECT	
D8812	CVD1N4003ST	DIODE , RECT	
D8813	CVD1N4003ST	DIODE , RECT	
D8814	CVD1N4003ST	DIODE , RECT	
D8822	CVD1SS133MT	DIODE , SWITCHING	
GND81	HJT1A025	PALTE , EARTH	
GND85	HJT1A025	PALTE , EARTH	
J1001	C3A206	WIRE , COPPER	
J1002	C3A206	WIRE , COPPER	
J1003	C3A206	WIRE , COPPER	
J1004	C3A206	WIRE , COPPER	
J1005	C3A206	WIRE , COPPER	
J1006	C3A206	WIRE , COPPER	
J1007	C3A206	WIRE , COPPER	
J1008	C3A206	WIRE , COPPER	
J1009	C3A206	WIRE , COPPER	
J1010	C3A206	WIRE , COPPER	
J1011	C3A206	WIRE , COPPER	
J1012	C3A206	WIRE , COPPER	
J1013	C3A206	WIRE , COPPER	
J1014	C3A206	WIRE , COPPER	
J1015	C3A206	WIRE , COPPER	
J1016	C3A206	WIRE , COPPER	
J1017	C3A206	WIRE , COPPER	
J1018	C3A206	WIRE , COPPER	
J1019	C3A206	WIRE , COPPER	
J1020	C3A206	WIRE , COPPER	
J1021	C3A206	WIRE , COPPER	
J1022	C3A206	WIRE , COPPER	
J1023	C3A206	WIRE , COPPER	
J1024	C3A206	WIRE , COPPER	
J1025	C3A206	WIRE , COPPER	
J1026	C3A206	WIRE , COPPER	
J1027	C3A206	WIRE , COPPER	
J1028	C3A206	WIRE , COPPER	
J1029	C3A206	WIRE , COPPER	
J1030	C3A206	WIRE , COPPER	
J2001	C3A206	WIRE , COPPER	
J2002	C3A206	WIRE , COPPER	
J2003	C3A206	WIRE , COPPER	
J2004	C3A206	WIRE , COPPER	
J2005	C3A206	WIRE , COPPER	
J2006	C3A206	WIRE , COPPER	
J2007	C3A206	WIRE , COPPER	
J2008	C3A206	WIRE , COPPER	
J2009	C3A206	WIRE , COPPER	
J2010	C3A206	WIRE , COPPER	
J2011	C3A206	WIRE , COPPER	
J2012	C3A206	WIRE , COPPER	
J2013	C3A206	WIRE , COPPER	
J2014	C3A206	WIRE , COPPER	

J2015	C3A206	WIRE , COPPER	
J2016	C3A206	WIRE , COPPER	
J2017	C3A206	WIRE , COPPER	
J2018	C3A206	WIRE , COPPER	
J2019	C3A206	WIRE , COPPER	
J2020	C3A206	WIRE , COPPER	
J2021	C3A206	WIRE , COPPER	
J2022	C3A206	WIRE , COPPER	
J2023	C3A206	WIRE , COPPER	
J2024	C3A206	WIRE , COPPER	
J2025	C3A206	WIRE , COPPER	
J3001	C3A206	WIRE , COPPER	
J3002	C3A206	WIRE , COPPER	
J3003	C3A206	WIRE , COPPER	
J3004	C3A206	WIRE , COPPER	
J3005	C3A206	WIRE , COPPER	
J3006	C3A206	WIRE , COPPER	
J3007	C3A206	WIRE , COPPER	
J3008	C3A206	WIRE , COPPER	
J3009	C3A206	WIRE , COPPER	
J3010	C3A206	WIRE , COPPER	
J3011	C3A206	WIRE , COPPER	
J3012	C3A206	WIRE , COPPER	
J3013	C3A206	WIRE , COPPER	
J3014	C3A206	WIRE , COPPER	
J3015	C3A206	WIRE , COPPER	
J3016	C3A206	WIRE , COPPER	
J3017	C3A206	WIRE , COPPER	
J3018	C3A206	WIRE , COPPER	
J3019	C3A206	WIRE , COPPER	
J4001	C3A206	WIRE , COPPER	
J4002	C3A206	WIRE , COPPER	
J4003	C3A206	WIRE , COPPER	
J4004	C3A206	WIRE , COPPER	
J4006	C3A206	WIRE , COPPER	
J4007	C3A206	WIRE , COPPER	
J4008	C3A206	WIRE , COPPER	
J4009	C3A206	WIRE , COPPER	
J4010	C3A206	WIRE , COPPER	
J4011	C3A206	WIRE , COPPER	
J4012	C3A206	WIRE , COPPER	
J4013	C3A206	WIRE , COPPER	
J4014	C3A206	WIRE , COPPER	
J4015	C3A206	WIRE , COPPER	
J4016	C3A206	WIRE , COPPER	
J5001	C3A206	WIRE , COPPER	
J5002	C3A206	WIRE , COPPER	
J5003	C3A206	WIRE , COPPER	
J5004	C3A206	WIRE , COPPER	
J5005	C3A206	WIRE , COPPER	
J5006	C3A206	WIRE , COPPER	
J5007	C3A206	WIRE , COPPER	
J5008	C3A206	WIRE , COPPER	

J5009	C3A206	WIRE , COPPER	
J5010	C3A206	WIRE , COPPER	
J5011	C3A206	WIRE , COPPER	
J5012	C3A206	WIRE , COPPER	
J5013	C3A206	WIRE , COPPER	
J5014	C3A206	WIRE , COPPER	
J5015	C3A206	WIRE , COPPER	
J5016	C3A206	WIRE , COPPER	
J5017	C3A206	WIRE , COPPER	
J5018	C3A206	WIRE , COPPER	
J5101	C3A206	WIRE , COPPER	
J5102	C3A206	WIRE , COPPER	
J5103	C3A206	WIRE , COPPER	
J5104	C3A206	WIRE , COPPER	
J5105	C3A206	WIRE , COPPER	
J5106	C3A206	WIRE , COPPER	
J5107	C3A206	WIRE , COPPER	
J5108	C3A206	WIRE , COPPER	
J5109	C3A206	WIRE , COPPER	
J5110	C3A206	WIRE , COPPER	
J5111	C3A206	WIRE , COPPER	
J5112	C3A206	WIRE , COPPER	
J5113	C3A206	WIRE , COPPER	
J5114	C3A206	WIRE , COPPER	
J5115	C3A206	WIRE , COPPER	
J5116	C3A206	WIRE , COPPER	
J5117	C3A206	WIRE , COPPER	
J5118	C3A206	WIRE , COPPER	
J5119	C3A206	WIRE , COPPER	
J5120	C3A206	WIRE , COPPER	
J5201	C3A206	WIRE , COPPER	
J5202	C3A206	WIRE , COPPER	
J5203	C3A206	WIRE , COPPER	
J5204	C3A206	WIRE , COPPER	
J5205	C3A206	WIRE , COPPER	
J5206	C3A206	WIRE , COPPER	
J5207	C3A206	WIRE , COPPER	
J5208	C3A206	WIRE , COPPER	
J5209	C3A206	WIRE , COPPER	
J5210	C3A206	WIRE , COPPER	
J5211	C3A206	WIRE , COPPER	
J5212	C3A206	WIRE , COPPER	
J5213	C3A206	WIRE , COPPER	
J5214	C3A206	WIRE , COPPER	
J5215	C3A206	WIRE , COPPER	
J5216	C3A206	WIRE , COPPER	
J5217	C3A206	WIRE , COPPER	
J5218	C3A206	WIRE , COPPER	
J5219	C3A206	WIRE , COPPER	
J5220	C3A206	WIRE , COPPER	
J5221	C3A206	WIRE , COPPER	
J5222	C3A206	WIRE , COPPER	
J5223	C3A206	WIRE , COPPER	

J5224	C3A206	WIRE , COPPER	
J5225	C3A206	WIRE , COPPER	
J5226	C3A206	WIRE , COPPER	
J5227	C3A206	WIRE , COPPER	
J5301	C3A206	WIRE , COPPER	
J5303	C3A206	WIRE , COPPER	
J5306	C3A206	WIRE , COPPER	
J5307	C3A206	WIRE , COPPER	
J5308	C3A206	WIRE , COPPER	
J5309	C3A206	WIRE , COPPER	
J5310	C3A206	WIRE , COPPER	
J5311	C3A206	WIRE , COPPER	
J5312	C3A206	WIRE , COPPER	
J5313	C3A206	WIRE , COPPER	
J5314	C3A206	WIRE , COPPER	
J5315	C3A206	WIRE , COPPER	
J5318	C3A206	WIRE , COPPER	
J5319	C3A206	WIRE , COPPER	
J5320	C3A206	WIRE , COPPER	
J5321	C3A206	WIRE , COPPER	
J5322	C3A206	WIRE , COPPER	
J5323	C3A206	WIRE , COPPER	
J5324	C3A206	WIRE , COPPER	
J5325	C3A206	WIRE , COPPER	
J5326	C3A206	WIRE , COPPER	
J5401	C3A206	WIRE , COPPER	
J5402	C3A206	WIRE , COPPER	
J5403	C3A206	WIRE , COPPER	
J5404	C3A206	WIRE , COPPER	
J5405	C3A206	WIRE , COPPER	
J5406	C3A206	WIRE , COPPER	
J5407	C3A206	WIRE , COPPER	
J5408	C3A206	WIRE , COPPER	
J5409	C3A206	WIRE , COPPER	
J5410	C3A206	WIRE , COPPER	
J5411	C3A206	WIRE , COPPER	
J5412	C3A206	WIRE , COPPER	
J5413	C3A206	WIRE , COPPER	
J5414	C3A206	WIRE , COPPER	
J5415	C3A206	WIRE , COPPER	
J5416	C3A206	WIRE , COPPER	
J5417	C3A206	WIRE , COPPER	
J5418	C3A206	WIRE , COPPER	
J5419	C3A206	WIRE , COPPER	
J5420	C3A206	WIRE , COPPER	
J5421	C3A206	WIRE , COPPER	
J5422	C3A206	WIRE , COPPER	
J5423	C3A206	WIRE , COPPER	
J5501	C3A206	WIRE , COPPER	
J5502	C3A206	WIRE , COPPER	
J5503	C3A206	WIRE , COPPER	
J5504	C3A206	WIRE , COPPER	
J5601	C3A206	WIRE , COPPER	

J5602	C3A206	WIRE , COPPER	
J5603	C3A206	WIRE , COPPER	
J5604	C3A206	WIRE , COPPER	
J5605	C3A206	WIRE , COPPER	
J5606	C3A206	WIRE , COPPER	
J5607	C3A206	WIRE , COPPER	
J5608	C3A206	WIRE , COPPER	
J5609	C3A206	WIRE , COPPER	
J5610	C3A206	WIRE , COPPER	
Q8006	HVTKTC3200GRT	T.R	
Q8106	HVTKTC3200GRT	T.R	
Q8206	HVTKTC3200GRT	T.R	
Q8306	HVTKTC3200GRT	T.R	
Q8406	HVTKTC3200GRT	T.R	
Q8506	HVTKTC3200GRT	T.R	
Q8606	HVTKTC3200GRT	T.R	
Q8705	HVTKTA1267YT	T.R	
Q8706	HVTKTC3198YT	T.R	
Q8707	HVTKTC3198YT	T.R	
Q8708	HVTKRC102MT	T.R , TO-92M	
Q8709	HVTKTA1268GRT	T.R	
Q8711	HVTKRC107MT	T.R , TO-92M	
Q8712	HVTKRC111MT	T.R , TO-92M	
Q8800	HVTKRC107MT	T.R , TO-92M	
Q8801	HVTKRC107MT	T.R , TO-92M	
Q8802	HVTKRC107MT	T.R , TO-92M	
Q8803	HVTKRC107MT	T.R , TO-92M	
Q8804	HVTKRC107MT	T.R , TO-92M	
Q8806	HVTKTA1268GRT	T.R	
Q8807	HVTKTA1268GRT	T.R	
Q8808	HVTKTC3199YT	T.R , KTC3199Y	
Q8809	HVTKRA107MT	T.R , TO-92M	
Q8810	HVTKRA107MT	T.R , TO-92M	
Q8811	HVTKRA107MT	T.R , TO-92M	
Q8812	HVTKRA107MT	T.R , TO-92M	
Q8813	HVTKRA107MT	T.R , TO-92M	
Q8814	HVTKRA107MT	T.R , TO-92M	
R8001	CRD20TJ223T	RES, CARBON(1/5W,22Kohm,J)	
R8002	CRD20TJ223T	RES, CARBON(1/5W,22Kohm,J)	
R8003	CRD20TJ750T	RES, CARBON(1/5W,75ohm,J)	
R8004	CRD20TJ750T	RES, CARBON(1/5W,75ohm,J)	
R8005	CRD25FJ180T	RES , CARBON (18 OHM) NONFLAMMABLE	
R8006	CRD25FJ180T	RES , CARBON (18 OHM) NONFLAMMABLE	
R8007	CRD20TJ100T	RES, CARBON(1/5W,10ohm,J)	
R8008	CRD20TJ122T	RES, CARBON(1/5W,1.2Kohm,J)	
R8010	CRD20TJ361T	RES, CARBON(1/5W,360ohm,J)	
R8011	CRD25FJ3R3T	RES , CARBON	
R8012	CRD25FJ3R3T	RES , CARBON	
R8014	CRD20TJ223T	RES, CARBON(1/5W,22Kohm,J)	
R8016	CRD20TJ752T	RES, CARBON(1/5W,7.5Kohm,J)	
R8017	CRD20TJ223T	RES, CARBON(1/5W,22Kohm,J)	
R8018	CRD25TJ470T	RES, CARBON(1/4W,47ohm,J)	
R8019	CRD25TJ470T	RES, CARBON(1/4W,47ohm,J)	

R8020	CRD20TJ274T	RES, CARBON(1/5W,270Kohm,J)	
R8101	CRD20TJ223T	RES, CARBON(1/5W,22Kohm,J)	
R8102	CRD20TJ223T	RES, CARBON(1/5W,22Kohm,J)	
R8103	CRD20TJ750T	RES, CARBON(1/5W,75ohm,J)	
R8104	CRD20TJ750T	RES, CARBON(1/5W,75ohm,J)	
R8105	CRD25FJ180T	RES , CARBON (18 OHM) NONFLAMMABLE	
R8106	CRD25FJ180T	RES , CARBON (18 OHM) NONFLAMMABLE	
R8107	CRD20TJ100T	RES, CARBON(1/5W,10ohm,J)	
R8108	CRD20TJ122T	RES, CARBON(1/5W,1.2Kohm,J)	
R8110	CRD20TJ361T	RES, CARBON(1/5W,360ohm,J)	
R8111	CRD25FJ3R3T	RES , CARBON	
R8112	CRD25FJ3R3T	RES , CARBON	
R8114	CRD20TJ223T	RES, CARBON(1/5W,22Kohm,J)	
R8116	CRD20TJ752T	RES, CARBON(1/5W,7.5Kohm,J)	
R8117	CRD20TJ223T	RES, CARBON(1/5W,22Kohm,J)	
R8118	CRD25TJ470T	RES, CARBON(1/4W,47ohm,J)	
R8119	CRD25TJ470T	RES, CARBON(1/4W,47ohm,J)	
R8120	CRD20TJ274T	RES, CARBON(1/5W,270Kohm,J)	
R8201	CRD20TJ223T	RES, CARBON(1/5W,22Kohm,J)	
R8202	CRD20TJ223T	RES, CARBON(1/5W,22Kohm,J)	
R8203	CRD20TJ750T	RES, CARBON(1/5W,75ohm,J)	
R8204	CRD20TJ750T	RES, CARBON(1/5W,75ohm,J)	
R8205	CRD25FJ180T	RES , CARBON (18 OHM) NONFLAMMABLE	
R8206	CRD25FJ180T	RES , CARBON (18 OHM) NONFLAMMABLE	
R8207	CRD20TJ100T	RES, CARBON(1/5W,10ohm,J)	
R8208	CRD20TJ122T	RES, CARBON(1/5W,1.2Kohm,J)	
R8210	CRD20TJ361T	RES, CARBON(1/5W,360ohm,J)	
R8211	CRD25FJ3R3T	RES , CARBON	
R8212	CRD25FJ3R3T	RES , CARBON	
R8214	CRD20TJ223T	RES, CARBON(1/5W,22Kohm,J)	
R8216	CRD20TJ752T	RES, CARBON(1/5W,7.5Kohm,J)	
R8217	CRD20TJ223T	RES, CARBON(1/5W,22Kohm,J)	
R8218	CRD25TJ470T	RES, CARBON(1/4W,47ohm,J)	
R8219	CRD25TJ470T	RES, CARBON(1/4W,47ohm,J)	
R8220	CRD20TJ274T	RES, CARBON(1/5W,270Kohm,J)	
R8301	CRD20TJ223T	RES, CARBON(1/5W,22Kohm,J)	
R8302	CRD20TJ223T	RES, CARBON(1/5W,22Kohm,J)	
R8303	CRD20TJ750T	RES, CARBON(1/5W,75ohm,J)	
R8304	CRD20TJ750T	RES, CARBON(1/5W,75ohm,J)	
R8305	CRD25FJ180T	RES , CARBON (18 OHM) NONFLAMMABLE	
R8306	CRD25FJ180T	RES , CARBON (18 OHM) NONFLAMMABLE	
R8307	CRD20TJ100T	RES, CARBON(1/5W,10ohm,J)	
R8308	CRD20TJ122T	RES, CARBON(1/5W,1.2Kohm,J)	
R8310	CRD20TJ361T	RES, CARBON(1/5W,360ohm,J)	
R8311	CRD25FJ3R3T	RES , CARBON	
R8312	CRD25FJ3R3T	RES , CARBON	
R8314	CRD20TJ223T	RES, CARBON(1/5W,22Kohm,J)	
R8316	CRD20TJ752T	RES, CARBON(1/5W,7.5Kohm,J)	
R8317	CRD20TJ223T	RES, CARBON(1/5W,22Kohm,J)	
R8318	CRD25TJ470T	RES, CARBON(1/4W,47ohm,J)	
R8319	CRD25TJ470T	RES, CARBON(1/4W,47ohm,J)	
R8320	CRD20TJ274T	RES, CARBON(1/5W,270Kohm,J)	
R8401	CRD20TJ223T	RES, CARBON(1/5W,22Kohm,J)	

R8402	CRD20TJ223T	RES, CARBON(1/5W,22Kohm,J)	
R8403	CRD20TJ750T	RES, CARBON(1/5W,75ohm,J)	
R8404	CRD20TJ750T	RES, CARBON(1/5W,75ohm,J)	
R8405	CRD25FJ180T	RES , CARBON (18 OHM) NONFLAMMABLE	
R8406	CRD25FJ180T	RES , CARBON (18 OHM) NONFLAMMABLE	
R8407	CRD20TJ100T	RES, CARBON(1/5W,10ohm,J)	
R8408	CRD20TJ122T	RES, CARBON(1/5W,1.2Kohm,J)	
R8410	CRD20TJ361T	RES, CARBON(1/5W,360ohm,J)	
R8411	CRD25FJ3R3T	RES , CARBON	
R8412	CRD25FJ3R3T	RES , CARBON	
R8414	CRD20TJ223T	RES, CARBON(1/5W,22Kohm,J)	
R8416	CRD20TJ752T	RES, CARBON(1/5W,7.5Kohm,J)	
R8417	CRD20TJ223T	RES, CARBON(1/5W,22Kohm,J)	
R8418	CRD25TJ470T	RES, CARBON(1/4W,47ohm,J)	
R8419	CRD25TJ470T	RES, CARBON(1/4W,47ohm,J)	
R8420	CRD20TJ274T	RES, CARBON(1/5W,270Kohm,J)	
R8501	CRD20TJ223T	RES, CARBON(1/5W,22Kohm,J)	
R8502	CRD20TJ223T	RES, CARBON(1/5W,22Kohm,J)	
R8503	CRD20TJ750T	RES, CARBON(1/5W,75ohm,J)	
R8504	CRD20TJ750T	RES, CARBON(1/5W,75ohm,J)	
R8505	CRD25FJ180T	RES , CARBON (18 OHM) NONFLAMMABLE	
R8506	CRD25FJ180T	RES , CARBON (18 OHM) NONFLAMMABLE	
R8507	CRD20TJ100T	RES, CARBON(1/5W,10ohm,J)	
R8508	CRD20TJ122T	RES, CARBON(1/5W,1.2Kohm,J)	
R8510	CRD20TJ361T	RES, CARBON(1/5W,360ohm,J)	
R8511	CRD25FJ3R3T	RES , CARBON	
R8512	CRD25FJ3R3T	RES , CARBON	
R8514	CRD20TJ223T	RES, CARBON(1/5W,22Kohm,J)	
R8516	CRD20TJ752T	RES, CARBON(1/5W,7.5Kohm,J)	
R8517	CRD20TJ223T	RES, CARBON(1/5W,22Kohm,J)	
R8518	CRD25TJ470T	RES, CARBON(1/4W,47ohm,J)	
R8519	CRD25TJ470T	RES, CARBON(1/4W,47ohm,J)	
R8520	CRD20TJ274T	RES, CARBON(1/5W,270Kohm,J)	
R8601	CRD20TJ223T	RES, CARBON(1/5W,22Kohm,J)	
R8602	CRD20TJ223T	RES, CARBON(1/5W,22Kohm,J)	
R8603	CRD20TJ750T	RES, CARBON(1/5W,75ohm,J)	
R8604	CRD20TJ750T	RES, CARBON(1/5W,75ohm,J)	
R8605	CRD25FJ180T	RES , CARBON (18 OHM) NONFLAMMABLE	
R8606	CRD25FJ180T	RES , CARBON (18 OHM) NONFLAMMABLE	
R8607	CRD20TJ100T	RES, CARBON(1/5W,10ohm,J)	
R8608	CRD20TJ122T	RES, CARBON(1/5W,1.2Kohm,J)	
R8610	CRD20TJ361T	RES, CARBON(1/5W,360ohm,J)	
R8611	CRD25FJ3R3T	RES , CARBON	
R8612	CRD25FJ3R3T	RES , CARBON	
R8614	CRD20TJ223T	RES, CARBON(1/5W,22Kohm,J)	
R8616	CRD20TJ752T	RES, CARBON(1/5W,7.5Kohm,J)	
R8617	CRD20TJ223T	RES, CARBON(1/5W,22Kohm,J)	
R8618	CRD25TJ470T	RES, CARBON(1/4W,47ohm,J)	
R8619	CRD25TJ470T	RES, CARBON(1/4W,47ohm,J)	
R8620	CRD20TJ274T	RES, CARBON(1/5W,270Kohm,J)	
R8706	CRD20TJ333T	RES, CARBON(1/5W,33Kohm,J)	
R8707	CRD20TJ223T	RES, CARBON(1/5W,22Kohm,J)	
R8709	CRD20TJ473T	RES, CARBON(1/5W,47Kohm,J)	

R8710	CRD20TJ103T	RES, CARBON(1/5W,10Kohm,J)	
R8718	CRD20TJ473T	RES, CARBON(1/5W,47Kohm,J)	
R8719	CRD20TJ334T	RES, CARBON(1/5W,330Kohm,J)	
R8720	CRD20TJ102T	RES, CARBON(1/5W,1Kohm,J)	
R8721	CRD20TJ223T	RES, CARBON(1/5W,22Kohm,J)	
R8722	CRD20TJ223T	RES, CARBON(1/5W,22Kohm,J)	
R8723	CRD20TJ222T	RES, CARBON(1/5W,2.2Kohm,J)	
R8724	CRD20TJ683T	RES, CARBON(1/5W,68Kohm,J)	
R8725	CRD20TJ683T	RES, CARBON(1/5W,68Kohm,J)	
R8726	CRD20TJ683T	RES, CARBON(1/5W,68Kohm,J)	
R8727	CRD20TJ683T	RES, CARBON(1/5W,68Kohm,J)	
R8728	CRD20TJ683T	RES, CARBON(1/5W,68Kohm,J)	
R8729	CRD20TJ683T	RES, CARBON(1/5W,68Kohm,J)	
R8730	CRD20TJ683T	RES, CARBON(1/5W,68Kohm,J)	
R8747	CRD20TJ4R7T	RES, CARBON(1/5W,4.7ohm,J)	
R8748	CRD20TJ4R7T	RES, CARBON(1/5W,4.7ohm,J)	
R8749	CRD20TJ471T	RES, CARBON(1/5W,470ohm,J)	
R8750	CRD20TJ471T	RES, CARBON(1/5W,470ohm,J)	
R8751	CRD20TJ471T	RES, CARBON(1/5W,470ohm,J)	
R8752	CRD20TJ471T	RES, CARBON(1/5W,470ohm,J)	
R8753	CRD20TJ471T	RES, CARBON(1/5W,470ohm,J)	
R8754	CRD20TJ471T	RES, CARBON(1/5W,470ohm,J)	
R8755	CRD20TJ471T	RES, CARBON(1/5W,470ohm,J)	
R8756	CRD20TJ471T	RES, CARBON(1/5W,470ohm,J)	
R8757	CRD20TJ471T	RES, CARBON(1/5W,470ohm,J)	
R8758	CRD20TJ471T	RES, CARBON(1/5W,470ohm,J)	
R8775	CRD20TJ223T	RES, CARBON(1/5W,22Kohm,J)	
R8800	CRG1SANJ100RT	RES, M-OXIDE FILM(1W/10ohm)	
R8801	CRG1SANJ100RT	RES, M-OXIDE FILM(1W/10ohm)	
R8802	CRG1SANJ100RT	RES, M-OXIDE FILM(1W/10ohm)	
R8803	CRG1SANJ100RT	RES, M-OXIDE FILM(1W/10ohm)	
R8804	CRG1SANJ100RT	RES, M-OXIDE FILM(1W/10ohm)	
R8805	CRG1SANJ100RT	RES, M-OXIDE FILM(1W/10ohm)	
R8806	CRG1SANJ100RT	RES, M-OXIDE FILM(1W/10ohm)	
R8807	CRG1SANJ471RT	RES, M-OXIDE FILM(1W/470ohm)	
R8808	CRG1SANJ471RT	RES, M-OXIDE FILM(1W/470ohm)	
R8816	CRD20TF1502T	RES, CARBON	
R8817	CRD20TF1502T	RES, CARBON	
R8818	CRD20TJ153T	RES, CARBON(1/5W,15Kohm,J)	
R8821	C3A206	WIRE, COPPER	
R8822	CRD20TJ182T	RES, CARBON(1/5W,1.8Kohm,J)	
R8823	CRD20TJ564T	RES, CARBON(1/5W,560Kohm,J)	
R8824	C3A206	WIRE, COPPER	
R8825	C3A206	WIRE, COPPER	
R8827	CRD20TF1502T	RES, CARBON	
R8828	CRD20TF1502T	RES, CARBON	
R8829	CRD20TJ153T	RES, CARBON(1/5W,15Kohm,J)	
R8841	CRD20TJ103T	RES, CARBON(1/5W,10Kohm,J)	
R8842	CRD20TJ223T	RES, CARBON(1/5W,22Kohm,J)	
R8843	CRD20TJ223T	RES, CARBON(1/5W,22Kohm,J)	
R8844	CRD20TJ152T	RES, CARBON(1/5W,1.5Kohm,J)	
VR800	CVN12A221B03T	RES, SEMI FIXED (220 OHM)	
VR810	CVN12A221B03T	RES, SEMI FIXED (220 OHM)	



VR820	CVN12A221B03T	RES , SEMI FIXED (220 OHM)	
VR830	CVN12A221B03T	RES , SEMI FIXED (220 OHM)	
VR840	CVN12A221B03T	RES , SEMI FIXED (220 OHM)	
VR850	CVN12A221B03T	RES , SEMI FIXED (220 OHM)	
VR860	CVN12A221B03T	RES , SEMI FIXED (220 OHM)	
Q8003	CVTKTD1691Y	T.R ( TO-126, EPITAXIAL PLANAR NPN )	
Q8004	CVT2SD2390P43M	T.R Power, 2SD2390, MT-100(TO3P) with MICA M43	
Q8005	CVT2SB1560P43M	T.R Power, 2SB1560, MT-100(TO3P) with MICA M43	
Q8103	CVTKTD1691Y	T.R ( TO-126, EPITAXIAL PLANAR NPN )	
Q8104	CVT2SD2390P43M	T.R Power, 2SD2390, MT-100(TO3P) with MICA M43	
Q8105	CVT2SB1560P43M	T.R Power, 2SB1560, MT-100(TO3P) with MICA M43	
Q8203	CVTKTD1691Y	T.R ( TO-126, EPITAXIAL PLANAR NPN )	
Q8204	CVT2SD2390P43M	T.R Power, 2SD2390, MT-100(TO3P) with MICA M43	
Q8205	CVT2SB1560P43M	T.R Power, 2SB1560, MT-100(TO3P) with MICA M43	
Q8303	CVTKTD1691Y	T.R ( TO-126, EPITAXIAL PLANAR NPN )	
Q8304	CVT2SD2390P43M	T.R Power, 2SD2390, MT-100(TO3P) with MICA M43	
Q8305	CVT2SB1560P43M	T.R Power, 2SB1560, MT-100(TO3P) with MICA M43	
Q8403	CVTKTD1691Y	T.R ( TO-126, EPITAXIAL PLANAR NPN )	
Q8404	CVT2SD2390P43M	T.R Power, 2SD2390, MT-100(TO3P) with MICA M43	
Q8405	CVT2SB1560P43M	T.R Power, 2SB1560, MT-100(TO3P) with MICA M43	
Q8503	CVTKTD1691Y	T.R ( TO-126, EPITAXIAL PLANAR NPN )	
Q8504	CVT2SD2390P43M	T.R Power, 2SD2390, MT-100(TO3P) with MICA M43	
Q8505	CVT2SB1560P43M	T.R Power, 2SB1560, MT-100(TO3P) with MICA M43	
Q8603	CVTKTD1691Y	T.R ( TO-126, EPITAXIAL PLANAR NPN )	
Q8604	CVT2SD2390P43M	T.R Power, 2SD2390, MT-100(TO3P) with MICA M43	
Q8605	CVT2SB1560P43M	T.R Power, 2SB1560, MT-100(TO3P) with MICA M43	
BK801	CMD1A569	BRACKET , PCB	
BK802	CMD1A569	BRACKET , PCB	
BN878	CWB1C00345058001	WIRE ASS'Y	
BN881	CWB1D00712058	WIRE ASS'Y (LOCKING TYPE, 2.5MM, 7PIN, 120MM)	
BN891	CWB1D00912058	WIRE ASS'Y (LOCKING TYPE, 2.5MM, 9PIN, 120MM)	
CN800	CJP02GA01ZY	WAFER,YMW025(2.5mm,STRAIGHT)	
CN801	CJP08GA221ZB	FEMALE HEADER (08P,2.54mm) , STRAIGHT TYPE	
CN802	CJP08GA221ZB	FEMALE HEADER (08P,2.54mm) , STRAIGHT TYPE	
CN803	CJP08GA221ZB	FEMALE HEADER (08P,2.54mm) , STRAIGHT TYPE	
CN804	CJP08GA221ZB	FEMALE HEADER (08P,2.54mm) , STRAIGHT TYPE	
CN805	CJP08GA221ZB	FEMALE HEADER (08P,2.54mm) , STRAIGHT TYPE	
CN806	CJP08GA221ZB	FEMALE HEADER (08P,2.54mm) , STRAIGHT TYPE	
CN807	CJP08GA221ZB	FEMALE HEADER (08P,2.54mm) , STRAIGHT TYPE	
CN808	CJP08GA221ZB	FEMALE HEADER (08P,2.54mm) , STRAIGHT TYPE	
CN810	CJP02GA01ZY	WAFER,YMW025(2.5mm,STRAIGHT)	
CN811	CJP05GA90ZY	WAFER , 5P(DIP, 3.96PITCH)	
CN820	CJP02GA01ZY	WAFER,YMW025(2.5mm,STRAIGHT)	
CN830	CJP02GA01ZY	WAFER,YMW025(2.5mm,STRAIGHT)	
CN840	CJP02GA01ZY	WAFER,YMW025(2.5mm,STRAIGHT)	
CN850	CJP02GA01ZY	WAFER,YMW025(2.5mm,STRAIGHT)	
CN860	CJP02GA01ZY	WAFER,YMW025(2.5mm,STRAIGHT)	
CN872	CJP30GA221ZB	2.54mm 30PIN WAFER	
CN877	CJP03GA90ZY	WAFER, YW396-NNB(3.96mm)	
CN891	CJP09GI237ZW	LOCK-WAFER/STRAIGHT/2.5mm	
C8001	CCEA2AH101EC	CAP , ELECT(100V/100uF)	
C8002	CCEA2AH101EC	CAP , ELECT(100V/100uF)	
C8101	CCEA2AH101EC	CAP , ELECT(100V/100uF)	

C8102	CCEA2AH101EC	CAP , ELECT(100V/100uF)	
C8201	CCEA2AH101EC	CAP , ELECT(100V/100uF)	
C8202	CCEA2AH101EC	CAP , ELECT(100V/100uF)	
C8301	CCEA2AH101EC	CAP , ELECT(100V/100uF)	
C8302	CCEA2AH101EC	CAP , ELECT(100V/100uF)	
C8401	CCEA2AH101EC	CAP , ELECT(100V/100uF)	
C8402	CCEA2AH101EC	CAP , ELECT(100V/100uF)	
C8501	CCEA2AH101EC	CAP , ELECT(100V/100uF)	
C8502	CCEA2AH101EC	CAP , ELECT(100V/100uF)	
C8601	CCEA2AH101EC	CAP , ELECT(100V/100uF)	
C8602	CCEA2AH101EC	CAP , ELECT(100V/100uF)	
C8814	CCET63VLP123NC	CAP , ELECT(63V/12000uF)	
C8815	CCET63VLP123NC	CAP , ELECT(63V/12000uF)	
C8824	CCEA1EH472EC	CAP , ELECT(25V/4700uF)	
C8825	CCEA1EH222EC	CAP , ELECT(25V/2200uF)	
C8833	CCEA1EH472EC	CAP , ELECT(25V/4700uF)	
C8834	CCEA1EH103EC	CAP , ELECT(25V/10000uF)	
D8806	HVDGBJ1506	DIODE , BRIDGE(15A/600V)	
D8821	HVDGBJ1006	DIODE , BRIDGE(10A/600V)	
F8001	KBA2D5000A2EYT	FUSE(382 Series, 250V, 5A)	
F8002	KBA2D5000A2EYT	FUSE(382 Series, 250V, 5A)	
JK800	CJJ5N005Z	TERMINAL , SP (R/B)	
JK801	CJJ5P011Z	TERMINAL , SPEAKER	
JK803	CJJ5Q007Z	JACK, SPK(8P RRRR/BBBB, SCREW)	
JK804	CJJ4P019W	JACK , RCA	
JK805	CJJ4P019W	JACK , RCA	
L8000	CLEY0R5KAK	COIL , SPEAKER(0.5uH)	
L8100	CLEY0R5KAK	COIL , SPEAKER(0.5uH)	
L8200	CLEY0R5KAK	COIL , SPEAKER(0.5uH)	
L8300	CLEY0R5KAK	COIL , SPEAKER(0.5uH)	
L8400	CLEY0R5KAK	COIL , SPEAKER(0.5uH)	
L8500	CLEY0R5KAK	COIL , SPEAKER(0.5uH)	
L8600	CLEY0R5KAK	COIL , SPEAKER(0.5uH)	
Q8001	HVTKTA1360Y	T.R , PRE DRIVE	
Q8002	HVTKTC3423Y	T.R , PRE DRIVE	
Q8101	HVTKTA1360Y	T.R , PRE DRIVE	
Q8102	HVTKTC3423Y	T.R , PRE DRIVE	
Q8201	HVTKTA1360Y	T.R , PRE DRIVE	
Q8202	HVTKTC3423Y	T.R , PRE DRIVE	
Q8301	HVTKTA1360Y	T.R , PRE DRIVE	
Q8302	HVTKTC3423Y	T.R , PRE DRIVE	
Q8401	HVTKTA1360Y	T.R , PRE DRIVE	
Q8402	HVTKTC3423Y	T.R , PRE DRIVE	
Q8501	HVTKTA1360Y	T.R , PRE DRIVE	
Q8502	HVTKTC3423Y	T.R , PRE DRIVE	
Q8601	HVTKTA1360Y	T.R , PRE DRIVE	
Q8602	HVTKTC3423Y	T.R , PRE DRIVE	
RY880	CSL3A018ZE	RELAY,G5PA-28-MC,DC12V,2C1P	
RY881	CSL3A018ZE	RELAY,G5PA-28-MC,DC12V,2C1P	
RY882	CSL3A018ZE	RELAY,G5PA-28-MC,DC12V,2C1P	
RY883	CSL3A018ZE	RELAY,G5PA-28-MC,DC12V,2C1P	
RY884	CSL3A018ZE	RELAY,G5PA-28-MC,DC12V,2C1P	
R8013	CRF5EKR27HX2K	RES , CEMENT (0.27 OHM)	

R8113	CRF5EKR27HX2K	RES , CEMENT (0.27 OHM)	
R8213	CRF5EKR27HX2K	RES , CEMENT (0.27 OHM)	
R8313	CRF5EKR27HX2K	RES , CEMENT (0.27 OHM)	
R8413	CRF5EKR27HX2K	RES , CEMENT (0.27 OHM)	
R8513	CRF5EKR27HX2K	RES , CEMENT (0.27 OHM)	
R8613	CRF5EKR27HX2K	RES , CEMENT (0.27 OHM)	
R8811	CRQ1AJR15H	RES , FUSE(1W/0.15 OHM)	
R8812	CRQ1AJR15H	RES , FUSE(1W/0.15 OHM)	
R8819	CRF5EKR10H	RES , CEMENT	
R8820	CRF5EKR10H	RES , CEMENT	
	CUP12373Z	PCB , SUB T748 (253x160, FR-4/2)	
C4124	CCUS1H104KC	CAP, CHIP(1608, 50V/0.1uF)	
C4511	CCUS1H103KC	CAP, CHIP(1608, 50V/0.01uF)	
C4513	CCUS1H103KC	CAP, CHIP(1608, 50V/0.01uF)	
C4515	CCUS1H103KC	CAP, CHIP(1608, 50V/0.01uF)	
C4517	CCUS1H103KC	CAP, CHIP(1608, 50V/0.01uF)	
C4519	CCUS1H103KC	CAP, CHIP(1608, 50V/0.01uF)	
C4521	CCUS1H103KC	CAP, CHIP(1608, 50V/0.01uF)	
C4523	CCUS1H103KC	CAP, CHIP(1608, 50V/0.01uF)	
C4541	CCUS1H104KC	CAP, CHIP(1608, 50V/0.1uF)	
C4543	CCUS1H104KC	CAP, CHIP(1608, 50V/0.1uF)	
C4552	CCUS1H181JA	CAP, CHIP(1608, 50V/180pF)	
C4559	CCUS1H220JA	CAP, CHIP(1608, 50V/22pF)	
C4562	CCUS1H220JA	CAP, CHIP(1608, 50V/22pF)	
C4563	CCUS1H330JA	CAP, CHIP(1608, 50V/33pF)	
C4564	CCUS1H223KC	CAP, CHIP(1608, 50V/0.022uF)	
C4566	CCUS1H223KC	CAP, CHIP(1608, 50V/0.022uF)	
C4574	CCUS1H104KC	CAP, CHIP(1608, 50V/0.1uF)	
C4575	CCUS1H104KC	CAP, CHIP(1608, 50V/0.1uF)	
C4610	CCUS1H104KC	CAP, CHIP(1608, 50V/0.1uF)	
D4050	CVD1SS355T	DIODE, SMD, SWITCHING	
D4511	HVD1SR159-200	DIODE , RECTIFIER	
IC456	HVILM1117S-5.0	IC REGULATOR/SOT-223	
IC457	CVIKIA7809AF	IC , REGULATOR (+9V,DPAK)	
Q4052	HVTKRC107S	T.R , CHIP , SOT-23	
Q4512	HVTKTA1504SYRTK	T.R , CHIP	
R4168	CRJ10DJ473T	RES, CHIP(1608/5%/47Kohm)	
R4514	CRJ10DJ750T	RES, CHIP(1608/5%/75ohm)	
R4515	CRJ10DJ750T	RES, CHIP(1608/5%/75ohm)	
R4522	CRJ10DJ473T	RES, CHIP(1608/5%/47Kohm)	
R4532	CRJ10DJ104T	RES, CHIP(1608/5%/100Kohm)	
R4534	CRJ10DJ102T	RES, CHIP(1608/5%/1Kohm)	
R4535	CRJ10DJ102T	RES, CHIP(1608/5%/1Kohm)	
R4536	CRJ10DJ0R0T	RES, CHIP(1608/5%/0ohm)	
R4537	CRJ10DJ223T	RES, CHIP(1608/5%/22Kohm)	
R4538	CRJ10DJ122T	RES, CHIP(1608/5%/1.2Kohm)	
R4543	CRJ10DJ393T	RES, CHIP(1608/5%/39Kohm)	
C4067	CCUS1H104KC	CAP, CHIP(1608, 50V/0.1uF)	
C4068	CCUS1H104KC	CAP, CHIP(1608, 50V/0.1uF)	
C4101	CCUS1H104KC	CAP, CHIP(1608, 50V/0.1uF)	
C4110	CCUS1H104KC	CAP, CHIP(1608, 50V/0.1uF)	
C4111	CCUS1H104KC	CAP, CHIP(1608, 50V/0.1uF)	
C4501	CCUS1H680JA	CAP, CHIP(1608, 50V/68pF)	

C4502	CCUS1H680JA	CAP, CHIP(1608, 50V/68pF)	ONLY C/CT VERSION ONLY C/CT VERSION
C4503	CCUS1H680JA	CAP, CHIP(1608, 50V/68pF)	
C4504	CCUS1H680JA	CAP, CHIP(1608, 50V/68pF)	
C4526	CRJ10DJ0R0T	RES, CHIP(1608/5%/0ohm)	
C4528	CRJ10DJ0R0T	RES, CHIP(1608/5%/0ohm)	
C4530	CRJ10DJ0R0T	RES, CHIP(1608/5%/0ohm)	
C4532	CCUS1H020CA	CAP, CHIP(1608, 50V/2pF)	
C4533	CCUS1H020CA	CAP, CHIP(1608, 50V/2pF)	
C4534	CCUS1H020CA	CAP, CHIP(1608, 50V/2pF)	
C4535	CCUS1H104KC	CAP, CHIP(1608, 50V/0.1uF)	
C4546	CCUS1H103KC	CAP, CHIP(1608, 50V/0.01uF)	
C4547	CCUS1H103KC	CAP, CHIP(1608, 50V/0.01uF)	
C4548	CCUS1H270JA	CAP, CHIP(1608, 50V/27pF)	
C4549	CCUS1H270JA	CAP, CHIP(1608, 50V/27pF)	
C4550	CCUS1H270JA	CAP, CHIP(1608, 50V/27pF)	
C4551	CCUS1H270JA	CAP, CHIP(1608, 50V/27pF)	
C4556	CCUS1H151JA	CAP, CHIP(1608, 50V/150pF)	
C4557	CCUS1H560JA	CAP, CHIP(1608, 50V/56pF)	
C4560	CCUS1H682KC	CAP, CHIP(1608, 50V/6800pF)	
C4565	CCUS1A105KC	CAP, CHIP(1608, 10V/1uF)	
C4568	CCUS1H223KC	CAP, CHIP(1608, 50V/0.022uF)	
C4577	CCUS1H104KC	CAP, CHIP(1608, 50V/0.1uF)	
C4579	CCUS1H104KC	CAP, CHIP(1608, 50V/0.1uF)	
C769	CCUS1H680JA	CAP, CHIP(1608, 50V/68pF)	
D4038	HVDUDZS4.3BSR	DIODE , ZENER (CHIP,4.3V)	
D4039	HVDUDZS3.3BSR	DIODE , ZENER (CHIP,3.3V)	
D4046	CVD1SS355T	DIODE, SMD, SWITCHING	
D4047	CVD1SS355T	DIODE, SMD, SWITCHING	
D4133	HVDUDZS3.3BSR	DIODE , ZENER (CHIP,3.3V)	
IC407	CVIST3232ECCR	I.C , RS-232(SO-16)	
IC414	CVIKIC3201S-50	IC , REGULATOR (5V0)	
IC451	CVINJW1321FP1	I.C , VIDEO S/W (JRC)	
IC452	HVIMM1511XNRE	IC, Y/C-MIX	
IC453	HVINJM2244MTE1	I.C , VIDEO SWITCH	
IC454	HVILC74763M	I.C , OSD	
IC455	CVISN74ACT04DR	I.C , HEX INVERTERS(SOIC/D-14P)	
L4513	CLQ10E100MRY	COIL , CHIP(10UH, 3226)	
L4514	CLQ10E100MRY	COIL , CHIP(10UH, 3226)	
Q4051	HVTKRA107S	T.R , CHIP , SOT-23	
Q4513	HVTKTC3875SYRTK	T.R , CHIP	
R4129	CRJ10DJ473T	RES, CHIP(1608/5%/47Kohm)	
R4131	CRJ10DJ470T	RES, CHIP(1608/5%/47ohm)	
R4132	CRJ10DJ470T	RES, CHIP(1608/5%/47ohm)	
R4137	CRJ10DJ271T	RES, CHIP(1608/5%/270ohm)	
R4138	CRJ10DJ1R0T	RES, CHIP(1608/5%/1ohm)	
R4139	CRJ10DJ103T	RES, CHIP(1608/5%/10Kohm)	
R4165	CRJ10DJ223T	RES, CHIP(1608/5%/22Kohm)	
R4166	CRJ10DJ103T	RES, CHIP(1608/5%/10Kohm)	
R4516	CRJ10DJ750T	RES, CHIP(1608/5%/75ohm)	
R4517	CRJ10DJ750T	RES, CHIP(1608/5%/75ohm)	
R4518	CRJ10DJ680T	RES, CHIP(1608/5%/68ohm)	
R4523	CRJ10DJ0R0T	RES, CHIP(1608/5%/0ohm)	
R4527	CRJ10DJ105T	RES, CHIP(1608/5%/1Mohm)	

R4528	CRJ10DJ105T	RES, CHIP(1608/5%/1Mohm)	
R4529	CRJ10DJ105T	RES, CHIP(1608/5%/1Mohm)	
R4530	CRJ10DJ104T	RES, CHIP(1608/5%/100Kohm)	
R4533	CRJ10DJ102T	RES, CHIP(1608/5%/1Kohm)	
R4539	CRJ10DJ822T	RES, CHIP(1608/5%/8.2Kohm)	
R4540	CRJ10DJ103T	RES, CHIP(1608/5%/10Kohm)	
R4541	CRJ10DJ271T	RES, CHIP(1608/5%/270ohm)	
R4542	CRJ10DJ222T	RES, CHIP(1608/5%/2.2Kohm)	
R4544	CRJ10DJ152T	RES, CHIP(1608/5%/1.5Kohm)	
R4545	CRJ10DJ682T	RES, CHIP(1608/5%/6.8Kohm)	
R4546	CRJ10DJ102T	RES, CHIP(1608/5%/1Kohm)	
R4547	CRJ10DJ102T	RES, CHIP(1608/5%/1Kohm)	
R4548	CRJ10DJ102T	RES, CHIP(1608/5%/1Kohm)	
R4549	CRJ10DJ102T	RES, CHIP(1608/5%/1Kohm)	
R4550	CRJ10DJ102T	RES, CHIP(1608/5%/1Kohm)	
R4551	CRJ10DJ102T	RES, CHIP(1608/5%/1Kohm)	
R4552	CRJ10DJ330T	RES, CHIP(1608/5%/33ohm)	
R4553	CRJ10DJ330T	RES, CHIP(1608/5%/33ohm)	
R4554	CRJ10DJ680T	RES, CHIP(1608/5%/68ohm)	
R4555	CRJ10DJ750T	RES, CHIP(1608/5%/75ohm)	
R4556	CRJ10DJ750T	RES, CHIP(1608/5%/75ohm)	
R4557	CRJ10DJ750T	RES, CHIP(1608/5%/75ohm)	
R4992	CRJ10DJ0R0T	RES, CHIP(1608/5%/0ohm)	
R4993	CRJ10DJ0R0T	RES, CHIP(1608/5%/0ohm)	
C4001	CCEA1HH100TC	CAP, ELECT(50V/10uF)	
C4002	CCKT1H331KB	CAP, CERAMIC(50V/330pF/K)	
C4003	CCEA1HH100TC	CAP, ELECT(50V/10uF)	
C4004	CCKT1H331KB	CAP, CERAMIC(50V/330pF/K)	
C4005	CCEA1HH100TC	CAP, ELECT(50V/10uF)	
C4006	CCKT1H331KB	CAP, CERAMIC(50V/330pF/K)	
C4007	CCEA1HH100TC	CAP, ELECT(50V/10uF)	
C4008	CCKT1H331KB	CAP, CERAMIC(50V/330pF/K)	
C4009	CCEA1HH100TC	CAP, ELECT(50V/10uF)	
C4010	CCKT1H331KB	CAP, CERAMIC(50V/330pF/K)	
C4011	CCEA1HH100TC	CAP, ELECT(50V/10uF)	
C4012	CCKT1H331KB	CAP, CERAMIC(50V/330pF/K)	
C4013	CCEA1HH100TC	CAP, ELECT(50V/10uF)	
C4014	CCKT1H331KB	CAP, CERAMIC(50V/330pF/K)	
C4015	CCBS1H681KBT	CAP, CERAMIC(680PF/50V)	
C4016	CCBS1H681KBT	CAP, CERAMIC(680PF/50V)	
C4017	CCBS1H681KBT	CAP, CERAMIC(680PF/50V)	
C4018	CCBS1H681KBT	CAP, CERAMIC(680PF/50V)	
C4019	CCBS1H681KBT	CAP, CERAMIC(680PF/50V)	
C4020	CCBS1H681KBT	CAP, CERAMIC(680PF/50V)	
C4021	CCBS1H681KBT	CAP, CERAMIC(680PF/50V)	
C4022	CCEA1CH101TC	CAP, ELECT(16V/100uF)	
C4023	CCEA1CH101TC	CAP, ELECT(16V/100uF)	
C4024	CCEA1CH101TC	CAP, ELECT(16V/100uF)	
C4025	CCEA1CH101TC	CAP, ELECT(16V/100uF)	
C4026	CCEA1CH101TC	CAP, ELECT(16V/100uF)	
C4027	CCEA1CH101TC	CAP, ELECT(16V/100uF)	
C4028	CCEA1CH101TC	CAP, ELECT(16V/100uF)	
C4029	CCCT1H330JC	CAP, CERAMIC	

C4030	CCCT1H330JC	CAP , CERAMIC	
C4031	CCCT1H330JC	CAP , CERAMIC	
C4032	CCCT1H330JC	CAP , CERAMIC	
C4033	CCCT1H330JC	CAP , CERAMIC	
C4034	CCCT1H330JC	CAP , CERAMIC	
C4035	CCCT1H330JC	CAP , CERAMIC	
C4036	CCCT1H120JC	CAP , CERAMIC	
C4037	CCCT1H120JC	CAP , CERAMIC	
C4038	CCCT1H120JC	CAP , CERAMIC	
C4039	CCCT1H120JC	CAP , CERAMIC	
C4040	CCCT1H120JC	CAP , CERAMIC	
C4041	CCCT1H120JC	CAP , CERAMIC	
C4042	CCCT1H120JC	CAP , CERAMIC	
C4057	CCEA1CH101TC	CAP , ELECT(16V/100uF)	
C4088	CCEA1HH2R2TC	CAP , ELECT(50V/2.2uF)	
C4089	CCEA1CH101TC	CAP , ELECT(16V/100uF)	
C4091	CCEA1CH101TC	CAP , ELECT(16V/100uF)	
C4092	CCEA1HH1R0TC	CAP , ELECT(50V/1uF)	
C4512	CCEA1HH1R0TC	CAP , ELECT(50V/1uF)	
C4514	CCEA1HH1R0TC	CAP , ELECT(50V/1uF)	
C4516	CCEA1HH1R0TC	CAP , ELECT(50V/1uF)	
C4518	CCEA1HH1R0TC	CAP , ELECT(50V/1uF)	
C4520	CCEA1HH1R0TC	CAP , ELECT(50V/1uF)	
C4522	CCEA1HH1R0TC	CAP , ELECT(50V/1uF)	
C4524	CCEA1HH1R0TC	CAP , ELECT(50V/1uF)	
C4525	CCEA1AH471TC	CAP , ELECT(10V/470uF)	
C4536	CCEA1CH101TC	CAP , ELECT(16V/100uF)	
C4538	CCEA1AH471TC	CAP , ELECT(10V/470uF)	
C4539	CCEA1CH101TC	CAP , ELECT(16V/100uF)	
C4540	CCEA1HH100TC	CAP , ELECT(50V/10uF)	
C4542	CCEA1CH101TC	CAP , ELECT(16V/100uF)	
C4544	CCEA1CH101TC	CAP , ELECT(16V/100uF)	
C4545	CCEA1HH100TC	CAP , ELECT(50V/10uF)	
C4553	CCEA1HHR47TC	CAP , ELECT(50V/0.47uF)	
C4554	CCEA1AH471TC	CAP , ELECT(10V/470uF)	
C4555	CCEA1HH100TC	CAP , ELECT(50V/10uF)	
C4558	CCEA1HH0R1TC	CAP , ELECT(50V/0.1uF)	
C4561	CCEA1HH1R0TC	CAP , ELECT(50V/1uF)	
C4567	CCEA1CH101TC	CAP , ELECT(16V/100uF)	
C4569	CCEA1AH471TC	CAP , ELECT(10V/470uF)	
C4570	CCEA1AH471TC	CAP , ELECT(10V/470uF)	
C4571	CCEA1AH471TC	CAP , ELECT(10V/470uF)	
C4572	CCEA1AH471TC	CAP , ELECT(10V/470uF)	
C4573	CCEA1HH100TC	CAP , ELECT(50V/10uF)	
C4576	CCEA1HH100TC	CAP , ELECT(50V/10uF)	
C4578	CCEA1HH100TC	CAP , ELECT(50V/10uF)	
C4611	CCEA1CH101TC	CAP , ELECT(16V/100uF)	
D4001	CVD1SS133MT	DIODE , SWITCHING	
D4002	CVD1SS133MT	DIODE , SWITCHING	
D4003	CVD1SS133MT	DIODE , SWITCHING	
D4004	CVD1SS133MT	DIODE , SWITCHING	
D4005	CVD1SS133MT	DIODE , SWITCHING	
D4006	CVD1SS133MT	DIODE , SWITCHING	

D4007	CVD1SS133MT	DIODE , SWITCHING	
D4008	CVD1SS133MT	DIODE , SWITCHING	
D4009	CVD1SS133MT	DIODE , SWITCHING	
D4010	CVD1SS133MT	DIODE , SWITCHING	
D4011	CVD1SS133MT	DIODE , SWITCHING	
D4012	CVD1SS133MT	DIODE , SWITCHING	
D4013	CVD1SS133MT	DIODE , SWITCHING	
D4014	CVD1SS133MT	DIODE , SWITCHING	
D4015	CVD1SS133MT	DIODE , SWITCHING	
D4016	CVD1SS133MT	DIODE , SWITCHING	
D4017	CVD1SS133MT	DIODE , SWITCHING	
D4018	CVD1SS133MT	DIODE , SWITCHING	
D4019	CVD1SS133MT	DIODE , SWITCHING	
D4020	CVD1SS133MT	DIODE , SWITCHING	
D4021	CVD1SS133MT	DIODE , SWITCHING	
D4040	CVD1N4003SRT	DIODE , RECT	
D4041	CVD1N4003SRT	DIODE , RECT	
D4042	CVD1N4003SRT	DIODE , RECT	
D4043	CVD1N4003SRT	DIODE , RECT	
D4044	CVD1N4003SRT	DIODE , RECT	
D4045	CVD1N4003SRT	DIODE , RECT	
D4048	CVD1N4003SRT	DIODE , RECT	
D4049	CVD1N4003SRT	DIODE , RECT	
F4003	KJFC5S	HOLDER , FUSE	
L4511	HLQ02C220KT	COIL , AXAIL	
L4512	CLQ03D5R6KT	COIL , PEAKING(RADIAL)	
Q4001	CVTKTC3200BLATPA	T.R , Hfe 450-700	
Q4002	CVTKTC3200BLATPA	T.R , Hfe 450-700	
Q4003	HVTKTC3200GRT	T.R	
Q4004	CVTKTC3200BLATPA	T.R , Hfe 450-700	
Q4005	CVTKTC3200BLATPA	T.R , Hfe 450-700	
Q4006	HVTKTC3200GRT	T.R	
Q4007	CVTKTC3200BLATPA	T.R , Hfe 450-700	
Q4008	CVTKTC3200BLATPA	T.R , Hfe 450-700	
Q4009	HVTKTC3200GRT	T.R	
Q4010	CVTKTC3200BLATPA	T.R , Hfe 450-700	
Q4011	CVTKTC3200BLATPA	T.R , Hfe 450-700	
Q4012	HVTKTC3200GRT	T.R	
Q4013	CVTKTC3200BLATPA	T.R , Hfe 450-700	
Q4014	CVTKTC3200BLATPA	T.R , Hfe 450-700	
Q4015	HVTKTC3200GRT	T.R	
Q4016	CVTKTC3200BLATPA	T.R , Hfe 450-700	
Q4017	CVTKTC3200BLATPA	T.R , Hfe 450-700	
Q4018	HVTKTC3200GRT	T.R	
Q4019	CVTKTC3200BLATPA	T.R , Hfe 450-700	
Q4020	CVTKTC3200BLATPA	T.R , Hfe 450-700	
Q4021	HVTKTC3200GRT	T.R	
Q4022	HVTKTA1268GRT	T.R	
Q4023	HVTKTA1268GRT	T.R	
Q4024	HVTKTC3200GRT	T.R	
Q4025	HVTKTA1268GRT	T.R	
Q4026	HVTKTA1268GRT	T.R	
Q4027	HVTKTC3200GRT	T.R	

Q4028	HVTKTA1268GRT	T.R	
Q4029	HVTKTA1268GRT	T.R	
Q4030	HVTKTC3200GRT	T.R	
Q4031	HVTKTA1268GRT	T.R	
Q4032	HVTKTA1268GRT	T.R	
Q4033	HVTKTC3200GRT	T.R	
Q4034	HVTKTA1268GRT	T.R	
Q4035	HVTKTA1268GRT	T.R	
Q4036	HVTKTC3200GRT	T.R	
Q4037	HVTKTA1268GRT	T.R	
Q4038	HVTKTA1268GRT	T.R	
Q4039	HVTKTC3200GRT	T.R	
Q4040	HVTKTA1268GRT	T.R	
Q4041	HVTKTA1268GRT	T.R	
Q4042	HVTKTC3200GRT	T.R	
Q4046	HVTKTC3198YT	T.R	
R4001	CRD20TJ333T	RES, CARBON(1/5W,33Kohm,J)	
R4002	CRD20TJ271T	RES, CARBON(1/5W,270ohm,J)	
R4003	CRD20TJ333T	RES, CARBON(1/5W,33Kohm,J)	
R4004	CRD20TJ271T	RES, CARBON(1/5W,270ohm,J)	
R4005	CRD20TJ333T	RES, CARBON(1/5W,33Kohm,J)	
R4006	CRD20TJ271T	RES, CARBON(1/5W,270ohm,J)	
R4007	CRD20TJ333T	RES, CARBON(1/5W,33Kohm,J)	
R4008	CRD20TJ271T	RES, CARBON(1/5W,270ohm,J)	
R4009	CRD20TJ333T	RES, CARBON(1/5W,33Kohm,J)	
R4010	CRD20TJ271T	RES, CARBON(1/5W,270ohm,J)	
R4011	CRD20TJ333T	RES, CARBON(1/5W,33Kohm,J)	
R4012	CRD20TJ271T	RES, CARBON(1/5W,270ohm,J)	
R4013	CRD20TJ333T	RES, CARBON(1/5W,33Kohm,J)	
R4014	CRD20TJ271T	RES, CARBON(1/5W,270ohm,J)	
R4015	CRD20TJ122T	RES, CARBON(1/5W,1.2Kohm,J)	
R4016	CRD20TJ152T	RES, CARBON(1/5W,1.5Kohm,J)	
R4017	CRD20TJ152T	RES, CARBON(1/5W,1.5Kohm,J)	
R4018	CRD20TJ471T	RES, CARBON(1/5W,470ohm,J)	
R4019	CRD20TJ221T	RES, CARBON(1/5W,220ohm,J)	
R4020	CRD20TJ221T	RES, CARBON(1/5W,220ohm,J)	
R4021	CRD20TJ473T	RES, CARBON(1/5W,47Kohm,J)	
R4022	CRD20TJ122T	RES, CARBON(1/5W,1.2Kohm,J)	
R4023	CRD20TJ152T	RES, CARBON(1/5W,1.5Kohm,J)	
R4024	CRD20TJ152T	RES, CARBON(1/5W,1.5Kohm,J)	
R4025	CRD20TJ471T	RES, CARBON(1/5W,470ohm,J)	
R4026	CRD20TJ221T	RES, CARBON(1/5W,220ohm,J)	
R4027	CRD20TJ221T	RES, CARBON(1/5W,220ohm,J)	
R4028	CRD20TJ473T	RES, CARBON(1/5W,47Kohm,J)	
R4029	CRD20TJ122T	RES, CARBON(1/5W,1.2Kohm,J)	
R4030	CRD20TJ152T	RES, CARBON(1/5W,1.5Kohm,J)	
R4031	CRD20TJ152T	RES, CARBON(1/5W,1.5Kohm,J)	
R4032	CRD20TJ471T	RES, CARBON(1/5W,470ohm,J)	
R4033	CRD20TJ221T	RES, CARBON(1/5W,220ohm,J)	
R4034	CRD20TJ221T	RES, CARBON(1/5W,220ohm,J)	
R4035	CRD20TJ473T	RES, CARBON(1/5W,47Kohm,J)	
R4036	CRD20TJ122T	RES, CARBON(1/5W,1.2Kohm,J)	
R4037	CRD20TJ152T	RES, CARBON(1/5W,1.5Kohm,J)	



R4038	CRD20TJ152T	RES, CARBON(1/5W,1.5Kohm,J)	
R4039	CRD20TJ471T	RES, CARBON(1/5W,470ohm,J)	
R4040	CRD20TJ221T	RES, CARBON(1/5W,220ohm,J)	
R4041	CRD20TJ221T	RES, CARBON(1/5W,220ohm,J)	
R4042	CRD20TJ473T	RES, CARBON(1/5W,47Kohm,J)	
R4043	CRD20TJ122T	RES, CARBON(1/5W,1.2Kohm,J)	
R4044	CRD20TJ152T	RES, CARBON(1/5W,1.5Kohm,J)	
R4045	CRD20TJ152T	RES, CARBON(1/5W,1.5Kohm,J)	
R4046	CRD20TJ471T	RES, CARBON(1/5W,470ohm,J)	
R4047	CRD20TJ221T	RES, CARBON(1/5W,220ohm,J)	
R4048	CRD20TJ221T	RES, CARBON(1/5W,220ohm,J)	
R4049	CRD20TJ473T	RES, CARBON(1/5W,47Kohm,J)	
R4050	CRD20TJ122T	RES, CARBON(1/5W,1.2Kohm,J)	
R4051	CRD20TJ152T	RES, CARBON(1/5W,1.5Kohm,J)	
R4052	CRD20TJ152T	RES, CARBON(1/5W,1.5Kohm,J)	
R4053	CRD20TJ471T	RES, CARBON(1/5W,470ohm,J)	
R4054	CRD20TJ221T	RES, CARBON(1/5W,220ohm,J)	
R4055	CRD20TJ221T	RES, CARBON(1/5W,220ohm,J)	
R4056	CRD20TJ473T	RES, CARBON(1/5W,47Kohm,J)	
R4057	CRD20TJ122T	RES, CARBON(1/5W,1.2Kohm,J)	
R4058	CRD20TJ152T	RES, CARBON(1/5W,1.5Kohm,J)	
R4059	CRD20TJ152T	RES, CARBON(1/5W,1.5Kohm,J)	
R4060	CRD20TJ471T	RES, CARBON(1/5W,470ohm,J)	
R4061	CRD20TJ221T	RES, CARBON(1/5W,220ohm,J)	
R4062	CRD20TJ221T	RES, CARBON(1/5W,220ohm,J)	
R4063	CRD20TJ473T	RES, CARBON(1/5W,47Kohm,J)	
R4064	CRD20TJ561T	RES, CARBON(1/5W,560ohm,J)	
R4065	CRD20TJ561T	RES, CARBON(1/5W,560ohm,J)	
R4066	CRD20TJ561T	RES, CARBON(1/5W,560ohm,J)	
R4067	CRD20TJ561T	RES, CARBON(1/5W,560ohm,J)	
R4068	CRD20TJ561T	RES, CARBON(1/5W,560ohm,J)	
R4069	CRD20TJ561T	RES, CARBON(1/5W,560ohm,J)	
R4070	CRD20TJ561T	RES, CARBON(1/5W,560ohm,J)	
R4071	CRD20TJ561T	RES, CARBON(1/5W,560ohm,J)	
R4072	CRD20TJ561T	RES, CARBON(1/5W,560ohm,J)	
R4073	CRD20TJ561T	RES, CARBON(1/5W,560ohm,J)	
R4074	CRD20TJ561T	RES, CARBON(1/5W,560ohm,J)	
R4075	CRD20TJ561T	RES, CARBON(1/5W,560ohm,J)	
R4076	CRD20TJ561T	RES, CARBON(1/5W,560ohm,J)	
R4077	CRD20TJ561T	RES, CARBON(1/5W,560ohm,J)	
R4078	CRD20TJ561T	RES, CARBON(1/5W,560ohm,J)	
R4079	CRD20TJ333T	RES, CARBON(1/5W,33Kohm,J)	
R4080	CRD20TJ561T	RES, CARBON(1/5W,560ohm,J)	
R4081	CRD20TJ561T	RES, CARBON(1/5W,560ohm,J)	
R4082	CRD20TJ333T	RES, CARBON(1/5W,33Kohm,J)	
R4083	CRD20TJ333T	RES, CARBON(1/5W,33Kohm,J)	
R4084	CRD20TJ333T	RES, CARBON(1/5W,33Kohm,J)	
R4085	CRD20TJ333T	RES, CARBON(1/5W,33Kohm,J)	
R4086	CRD20TJ333T	RES, CARBON(1/5W,33Kohm,J)	
R4087	CRD20TJ333T	RES, CARBON(1/5W,33Kohm,J)	
R4088	CRD20TJ561T	RES, CARBON(1/5W,560ohm,J)	
R4089	CRD20TJ561T	RES, CARBON(1/5W,560ohm,J)	
R4090	CRD20TJ561T	RES, CARBON(1/5W,560ohm,J)	

R4091	CRD20TJ561T	RES, CARBON(1/5W,560ohm,J)	
R4092	CRD20TJ561T	RES, CARBON(1/5W,560ohm,J)	
R4093	CRD20TJ561T	RES, CARBON(1/5W,560ohm,J)	
R4094	CRD20TJ561T	RES, CARBON(1/5W,560ohm,J)	
R4095	CRD20TJ561T	RES, CARBON(1/5W,560ohm,J)	
R4096	CRD20TJ561T	RES, CARBON(1/5W,560ohm,J)	
R4097	CRD20TJ561T	RES, CARBON(1/5W,560ohm,J)	
R4098	CRD20TJ561T	RES, CARBON(1/5W,560ohm,J)	
R4099	CRD20TJ561T	RES, CARBON(1/5W,560ohm,J)	
R4100	CRD20TJ561T	RES, CARBON(1/5W,560ohm,J)	
R4101	CRD20TJ561T	RES, CARBON(1/5W,560ohm,J)	
R4102	CRD20TJ561T	RES, CARBON(1/5W,560ohm,J)	
R4103	CRD20TJ561T	RES, CARBON(1/5W,560ohm,J)	
R4104	CRD20TJ561T	RES, CARBON(1/5W,560ohm,J)	
R4105	CRD20TJ561T	RES, CARBON(1/5W,560ohm,J)	
R4106	CRD20TJ561T	RES, CARBON(1/5W,560ohm,J)	
R4107	CRD20TJ561T	RES, CARBON(1/5W,560ohm,J)	
R4108	CRD20TJ561T	RES, CARBON(1/5W,560ohm,J)	
R4109	CRD20TJ561T	RES, CARBON(1/5W,560ohm,J)	
R4110	CRD20TJ561T	RES, CARBON(1/5W,560ohm,J)	
R4111	CRD20TJ561T	RES, CARBON(1/5W,560ohm,J)	
R4112	CRD20TJ561T	RES, CARBON(1/5W,560ohm,J)	
R4133	CRG1SANJ101RT	RES, M-OXIDE FILM(1W/100ohm)	
R4134	CRG1SANJ100RT	RES, M-OXIDE FILM(1W/10ohm)	
BK411	CMD1A569	BRACKET , PCB	
BK421	CMD1A569	BRACKET , PCB	
BK451	CMD1A569	BRACKET , PCB	
BN414	CWB1C00908047	WIRE ASS'Y	
CN401	CJP18GB274ZB	PIN HEADER (18P, 2.54mm), ANGLE	
CN402	CJP08GB142ZB	PIN HEADER (08P, 2.54mm) , ANGLE TYPE	
CN403	CJP08GB142ZB	PIN HEADER (08P, 2.54mm) , ANGLE TYPE	
CN404	CJP08GB142ZB	PIN HEADER (08P, 2.54mm) , ANGLE TYPE	
CN405	CJP08GB142ZB	PIN HEADER (08P, 2.54mm) , ANGLE TYPE	
CN406	CJP08GB142ZB	PIN HEADER (08P, 2.54mm) , ANGLE TYPE	
CN407	CJP08GB142ZB	PIN HEADER (08P, 2.54mm) , ANGLE TYPE	
CN408	CJP08GB142ZB	PIN HEADER (08P, 2.54mm) , ANGLE TYPE	
CN409	CJP08GB142ZB	PIN HEADER (08P, 2.54mm) , ANGLE TYPE	
CN416	CJP02GA89ZY	WAFER, YW396-NNAB(7.92mm)	
CN417	CJP02KA060ZY	WAFER	
CN419	CJP05GI236ZW	LOCK-WAFER/STRAIGHT/2mm	
CN452	CJP18GB142ZB	PIN HEADER (18P, 2.54mm) , ANGLE TYPE	
CN501	CJP05GI236ZW	LOCK-WAFER/STRAIGHT/2mm	
C4086	KCKDKS472ME	CAP , CERAMIC(X1/Y2/SC)	
C4087	KCKDKS472ME	CAP , CERAMIC(X1/Y2/SC)	
C4090	CCEA1CH222EC	CAP , ELECT(16V/2200uF)	
F4004	KBA2D2500TLET	FUSE (2.5A)	
IC403	BVIKP1010B	IC, PHOTO COUPLER (COSMO)	
JK402	CJJ2D008Z	JACK, STEREO (BLK MOLD)	
JK403	CJJ9W001Z	JACK, 9P D-SUB FEMALE(RS-232C)	
JK451	CJJ4N070Z	JACK , VIDEO 2P(Y/Y)	
JK452	CJJ9N006Z	JACK , S-VIDEO+CVBS(GOLD, 2P)	
JK453	CJJ4S036Z	JACK , BOARD	
JK486	CJJ2D012Z	JACK , PHONE(3.5mm/GREEN)	

L4501	CLQ02C101KTA	COIL , AXIAL , 100UH , ABCO	
L4502	CLQ02C101KTA	COIL , AXIAL , 100UH , ABCO	
L4503	CLQ02C101KTA	COIL , AXIAL , 100UH , ABCO	
L4504	CLQ02C101KTA	COIL , AXIAL , 100UH , ABCO	
L4505	CLQ02C101KTA	COIL , AXIAL , 100UH , ABCO	
L4506	CLQ02C101KTA	COIL , AXIAL , 100UH , ABCO	
L4507	CLQ02C101KTA	COIL , AXIAL , 100UH , ABCO	
OL401	CJJ7A012Z	JACK , AC OUTLET	ONLY AH VERSION
OL402	CJJ7A021Z	JACK , AC OUTLET	ONLY C/CT VERSION
RY401	CSL1C005ZE	RELAY (DC 5V, 1C1P)	
R4501	CRD20TJ101T	RES, CARBON(1/5W,100ohm,J)	
R4502	CRD20TJ101T	RES, CARBON(1/5W,100ohm,J)	
R4503	CRD20TJ101T	RES, CARBON(1/5W,100ohm,J)	
R4504	CRD20TJ101T	RES, CARBON(1/5W,100ohm,J)	
R4505	CRD20TJ101T	RES, CARBON(1/5W,100ohm,J)	
R4506	CRD20TJ101T	RES, CARBON(1/5W,100ohm,J)	
R4507	CRD20TJ101T	RES, CARBON(1/5W,100ohm,J)	
T4001	CLT5I020ZE	TRANS , SUB MRX500, MRX700 EUR	ONLY C/CT VERSION
T4001	CLT5I020ZU	TRANS , SUB MRX500, MRX700 USA	ONLY AH VERSION
X4511	HOX14318E220C	CRYSTAL (14.318MHz)	ONLY AH VERSION
X4511	HOX17734E220C	CRYSTAL, 17.734MHz, HC-49/S, 22pF, 30PPM	ONLY C/CT VERSION
X4512	HOX14318E220C	CRYSTAL (14.318MHz)	ONLY C/CT VERSION
	CUP12374Z	PCB , HDMI T748 (192x160, FR-4/4)	
C9002	CCUS1H104KC	CAP, CHIP(1608, 50V/0.1uF)	
C9110	CCUC0J106KC	CAP, CHIP(2012, 6.3V/10uF)	
C9111	CCUC0J106KC	CAP, CHIP(2012, 6.3V/10uF)	
C9112	CCUC0J106KC	CAP, CHIP(2012, 6.3V/10uF)	
C9113	CCUC0J106KC	CAP, CHIP(2012, 6.3V/10uF)	
C9114	CCUC0J106KC	CAP, CHIP(2012, 6.3V/10uF)	
C9115	CCUC0J106KC	CAP, CHIP(2012, 6.3V/10uF)	
C9116	CCUC0J106KC	CAP, CHIP(2012, 6.3V/10uF)	
C9117	CCUC0J106KC	CAP, CHIP(2012, 6.3V/10uF)	
C9118	CCUC0J106KC	CAP, CHIP(2012, 6.3V/10uF)	
C9211	CCUS1H104KC	CAP, CHIP(1608, 50V/0.1uF)	
C9212	CCUS1H104KC	CAP, CHIP(1608, 50V/0.1uF)	
C9213	CCUS1H104KC	CAP, CHIP(1608, 50V/0.1uF)	
C9214	CCUS1H104KC	CAP, CHIP(1608, 50V/0.1uF)	
C9215	CCUS1H102KC	CAP, CHIP(1608, 50V/1000pF)	
C9301	CCUI1C104KC	CAP , CHIP (1005, 16V/0.1uF)	
C9302	CCUI1C104KC	CAP , CHIP (1005, 16V/0.1uF)	
C9303	CCUI1C104KC	CAP , CHIP (1005, 16V/0.1uF)	
C9304	CCUI1C104KC	CAP , CHIP (1005, 16V/0.1uF)	
C9305	CCUI1C104KC	CAP , CHIP (1005, 16V/0.1uF)	
C9306	CCUI1C104KC	CAP , CHIP (1005, 16V/0.1uF)	
C9307	CCUI1C104KC	CAP , CHIP (1005, 16V/0.1uF)	
C9308	CCUI1C104KC	CAP , CHIP (1005, 16V/0.1uF)	
C9309	CCUI1C104KC	CAP , CHIP (1005, 16V/0.1uF)	
C9310	CCUI1C104KC	CAP , CHIP (1005, 16V/0.1uF)	
C9311	CCUC0J106KC	CAP, CHIP(2012, 6.3V/10uF)	
C9312	CCUI1C104KC	CAP , CHIP (1005, 16V/0.1uF)	
C9313	CCUI1C104KC	CAP , CHIP (1005, 16V/0.1uF)	
C9314	CCUI1C104KC	CAP , CHIP (1005, 16V/0.1uF)	
C9315	CCUI1C104KC	CAP , CHIP (1005, 16V/0.1uF)	



C9369	CCUC0J106KC	CAP, CHIP(2012, 6.3V/10uF)	
C9370	CCUI1C104KC	CAP , CHIP (1005, 16V/0.1uF)	
C9371	CCUI1C104KC	CAP , CHIP (1005, 16V/0.1uF)	
C9372	CCUI1C104KC	CAP , CHIP (1005, 16V/0.1uF)	
C9373	CCUI1C104KC	CAP , CHIP (1005, 16V/0.1uF)	
C9374	CCUI1C104KC	CAP , CHIP (1005, 16V/0.1uF)	
C9375	CCUI1C104KC	CAP , CHIP (1005, 16V/0.1uF)	
C9376	CCUI1C104KC	CAP , CHIP (1005, 16V/0.1uF)	
C9377	CCUI1C104KC	CAP , CHIP (1005, 16V/0.1uF)	
C9378	CCUC0J106KC	CAP, CHIP(2012, 6.3V/10uF)	
C9379	CCUI1C104KC	CAP , CHIP (1005, 16V/0.1uF)	
C9381	CCUI1C104KC	CAP , CHIP (1005, 16V/0.1uF)	
C9382	CCUC0J106KC	CAP, CHIP(2012, 6.3V/10uF)	
C9390	CCUI1C104KC	CAP , CHIP (1005, 16V/0.1uF)	
C9393	CCUI1C104KC	CAP , CHIP (1005, 16V/0.1uF)	
C9394	CCUI1C104KC	CAP , CHIP (1005, 16V/0.1uF)	
C9395	CCUI1C104KC	CAP , CHIP (1005, 16V/0.1uF)	
C9396	CCUI1C104KC	CAP , CHIP (1005, 16V/0.1uF)	
C9397	CCUI1C104KC	CAP , CHIP (1005, 16V/0.1uF)	
C9398	CCUS1H104KC	CAP, CHIP(1608, 50V/0.1uF)	
C9399	CCUS1H104KC	CAP, CHIP(1608, 50V/0.1uF)	
C9481	CCUC0J106KC	CAP, CHIP(2012, 6.3V/10uF)	
C9482	CCUC0J106KC	CAP, CHIP(2012, 6.3V/10uF)	
C9483	CCUC0J106KC	CAP, CHIP(2012, 6.3V/10uF)	
C9484	CCUC0J106KC	CAP, CHIP(2012, 6.3V/10uF)	
C9485	CCUC0J106KC	CAP, CHIP(2012, 6.3V/10uF)	
C9486	CCUC0J106KC	CAP, CHIP(2012, 6.3V/10uF)	
C9511	CCUS1H104KC	CAP, CHIP(1608, 50V/0.1uF)	
C9512	CCUS1H104KC	CAP, CHIP(1608, 50V/0.1uF)	
C9513	CCUS1H104KC	CAP, CHIP(1608, 50V/0.1uF)	
C9514	CCUS1H104KC	CAP, CHIP(1608, 50V/0.1uF)	
C9515	CCUS1H104KC	CAP, CHIP(1608, 50V/0.1uF)	
C9516	CCUS1H104KC	CAP, CHIP(1608, 50V/0.1uF)	
C9517	CCUS1H104KC	CAP, CHIP(1608, 50V/0.1uF)	
C9518	CCUS1H104KC	CAP, CHIP(1608, 50V/0.1uF)	
C9519	CCUS1H104KC	CAP, CHIP(1608, 50V/0.1uF)	
C9520	CCUS1H104KC	CAP, CHIP(1608, 50V/0.1uF)	
C9521	CCUS1H104KC	CAP, CHIP(1608, 50V/0.1uF)	
C9523	CCUS1H104KC	CAP, CHIP(1608, 50V/0.1uF)	
C9524	CCUS1H104KC	CAP, CHIP(1608, 50V/0.1uF)	
C9525	CCUS1H104KC	CAP, CHIP(1608, 50V/0.1uF)	
C9526	CCUS1H104KC	CAP, CHIP(1608, 50V/0.1uF)	
C9527	CCUS1A105KC	CAP, CHIP(1608, 10V/1uF)	
C9528	CCUS1A105KC	CAP, CHIP(1608, 10V/1uF)	
C9533	CCUS1H104KC	CAP, CHIP(1608, 50V/0.1uF)	
C9535	CCUS1H104KC	CAP, CHIP(1608, 50V/0.1uF)	
C9552	CCUSSP1E106KC	CAP , CHIP (3216, 25V/10uF)	
C9554	CCUSSP1E106KC	CAP , CHIP (3216, 25V/10uF)	
C9619	CCUSSP1E106KC	CAP , CHIP (3216, 25V/10uF)	
C9623	CCUSSP1E106KC	CAP , CHIP (3216, 25V/10uF)	
C9628	CCUS1A105KC	CAP, CHIP(1608, 10V/1uF)	
D9511	CVDBAR43C	DIODE , SCHOTTKY	
IC913	CVITC74VCX541FT	I,C , OCTAL BUS BUFFER (TOSHIBA)	

IC918	CVITC74VCX541FT	I,C , OCTAL BUS BUFFER (TOSHIBA)
L9001	CLZ9Z014Z	FERRITE , CHIP BEAD(60ohm, 4516)
L9006	CLZ9Z014Z	FERRITE , CHIP BEAD(60ohm, 4516)
L9007	CLZ9Z014Z	FERRITE , CHIP BEAD(60ohm, 4516)
L9008	CLZ9Z014Z	FERRITE , CHIP BEAD(60ohm, 4516)
L9512	CLZ9Z014Z	FERRITE , CHIP BEAD(60ohm, 4516)
L9552	CLZ9Z014Z	FERRITE , CHIP BEAD(60ohm, 4516)
L9554	CLZ9Z014Z	FERRITE , CHIP BEAD(60ohm, 4516)
L9555	CLZ9Z014Z	FERRITE , CHIP BEAD(60ohm, 4516)
L9560	CLZ9Z014Z	FERRITE , CHIP BEAD(60ohm, 4516)
Q9211	HVTKRA102S	T.R , CHIP , SOT-23
Q9212	CVTKRC103S	T.R , CHIP , SOT-23
Q9213	HVTKRA102S	T.R , CHIP , SOT-23
Q9214	CVTKRC103S	T.R , CHIP , SOT-23
Q9215	HVTKRA102S	T.R , CHIP , SOT-23
Q9216	CVTKRC103S	T.R , CHIP , SOT-23
Q9217	HVTKRA102S	T.R , CHIP , SOT-23
Q9218	CVTKRC103S	T.R , CHIP , SOT-23
Q9511	CVTUPA672T	F.E.T (NEC)
RN950	CRJ064IJ330T	RES, CHIP(1005/5%/33ohm*4)
RN951	CRJ064IJ330T	RES, CHIP(1005/5%/33ohm*4)
RN952	CRJ104DJ220T	RES , CHIP , 22 OHM, 5% , 1608 X 4
RN953	CRJ104DJ220T	RES , CHIP , 22 OHM, 5% , 1608 X 4
RN957	CRJ104DJ220T	RES , CHIP , 22 OHM, 5% , 1608 X 4
RN958	CRJ104DJ220T	RES , CHIP , 22 OHM, 5% , 1608 X 4
R9211	CRJ10DJ473T	RES, CHIP(1608/5%/47Kohm)
R9212	CRJ10DJ102T	RES, CHIP(1608/5%/1Kohm)
R9213	CRJ10DJ223T	RES, CHIP(1608/5%/22Kohm)
R9214	CRJ10DJ473T	RES, CHIP(1608/5%/47Kohm)
R9215	CRJ10DJ102T	RES, CHIP(1608/5%/1Kohm)
R9217	CRJ10DJ101T	RES, CHIP(1608/5%/100ohm)
R9218	CRJ10DJ473T	RES, CHIP(1608/5%/47Kohm)
R9219	CRJ10DJ102T	RES, CHIP(1608/5%/1Kohm)
R9220	CRJ10DJ223T	RES, CHIP(1608/5%/22Kohm)
R9221	CRJ10DJ473T	RES, CHIP(1608/5%/47Kohm)
R9222	CRJ10DJ102T	RES, CHIP(1608/5%/1Kohm)
R9224	CRJ10DJ101T	RES, CHIP(1608/5%/100ohm)
R9225	CRJ10DJ473T	RES, CHIP(1608/5%/47Kohm)
R9226	CRJ10DJ102T	RES, CHIP(1608/5%/1Kohm)
R9227	CRJ10DJ223T	RES, CHIP(1608/5%/22Kohm)
R9228	CRJ10DJ473T	RES, CHIP(1608/5%/47Kohm)
R9229	CRJ10DJ102T	RES, CHIP(1608/5%/1Kohm)
R9231	CRJ10DJ101T	RES, CHIP(1608/5%/100ohm)
R9232	CRJ10DJ473T	RES, CHIP(1608/5%/47Kohm)
R9233	CRJ10DJ102T	RES, CHIP(1608/5%/1Kohm)
R9234	CRJ10DJ223T	RES, CHIP(1608/5%/22Kohm)
R9235	CRJ10DJ473T	RES, CHIP(1608/5%/47Kohm)
R9236	CRJ10DJ102T	RES, CHIP(1608/5%/1Kohm)
R9238	CRJ10DJ101T	RES, CHIP(1608/5%/100ohm)
R9239	CRJ10DJ240T	RES, CHIP(1608/5%/24ohm)
R9240	CRJ10DJ240T	RES, CHIP(1608/5%/24ohm)
R9241	CRJ10DJ240T	RES, CHIP(1608/5%/24ohm)
R9250	CRJ10DJ510T	RES, CHIP(1608/5%/51ohm)

R9251	CRJ10DJ510T	RES, CHIP(1608/5%/51ohm)	
R9252	CRJ10DJ510T	RES, CHIP(1608/5%/51ohm)	
R9262	CRJ10DJ510T	RES, CHIP(1608/5%/51ohm)	
R9301	CRJ10DF1001T	RES, CHIP(1608/1%/1Kohm)	
R9302	CRJ10DF1001T	RES, CHIP(1608/1%/1Kohm)	
R9303	CRJ06J102T	RES, CHIP(1005/5%/1Kohm)	
R9304	CRJ06J102T	RES, CHIP(1005/5%/1Kohm)	
R9313	CRJ06J103T	RES, CHIP(1005/5%/10Kohm)	
R9314	CRJ06J103T	RES, CHIP(1005/5%/10Kohm)	
R9315	CRJ06J220T	RES, CHIP(1005/5%/22ohm)	
R9316	CRJ06J220T	RES, CHIP(1005/5%/22ohm)	
R9317	CRJ06J102T	RES, CHIP(1005/5%/1Kohm)	
R9318	CRJ10DJ472T	RES, CHIP(1608/5%/4.7Kohm)	
R9319	CRJ10DJ472T	RES, CHIP(1608/5%/4.7Kohm)	
R9320	CRJ06J0R0T	RES, CHIP(1005/5%/0ohm)	
R9321	CRJ06J472T	RES, CHIP(1005/5%/4.7Kohm)	
R9322	CRJ06J0R0T	RES, CHIP(1005/5%/0ohm)	
R9323	CRJ06J0R0T	RES, CHIP(1005/5%/0ohm)	
R9325	CRJ10DJ104T	RES, CHIP(1608/5%/100Kohm)	
R9327	CRJ06J472T	RES, CHIP(1005/5%/4.7Kohm)	
R9329	CRJ06J271T	RES, CHIP(1005/5%/270ohm)	
R9332	CRJ06J330T	RES, CHIP(1005/5%/33ohm)	
R9333	CRJ06J330T	RES, CHIP(1005/5%/33ohm)	
R9335	CRJ10DJ0R0T	RES, CHIP(1608/5%/0ohm)	
R9513	CRJ10DJ330T	RES, CHIP(1608/5%/33ohm)	
R9516	CRJ10DJ0R0T	RES, CHIP(1608/5%/0ohm)	
R9519	CRJ10DJ330T	RES, CHIP(1608/5%/33ohm)	
R9521	CRJ10DJ472T	RES, CHIP(1608/5%/4.7Kohm)	
R9522	CRJ10DJ0R0T	RES, CHIP(1608/5%/0ohm)	
R9523	CRJ10DF49R9T	RES, CHIP(1608/1%/49.9ohm)	
R9524	CRJ10DF49R9T	RES, CHIP(1608/1%/49.9ohm)	
R9525	CRJ10DF49R9T	RES, CHIP(1608/1%/49.9ohm)	
R9526	CRJ10DF49R9T	RES, CHIP(1608/1%/49.9ohm)	
R9527	CRJ10DF4R99T	RES, CHIP(1608/1%/4.99ohm)	
R9533	CRJ10DJ273T	RES, CHIP(1608/5%/27Kohm)	
R9534	CRJ10DJ0R0T	RES, CHIP(1608/5%/0ohm)	
R9535	CRJ10DJ182T	RES, CHIP(1608/5%/1.8Kohm)	
R9536	CRJ10DJ182T	RES, CHIP(1608/5%/1.8Kohm)	
R9537	CRJ10DJ182T	RES, CHIP(1608/5%/1.8Kohm)	
R9538	CRJ10DJ182T	RES, CHIP(1608/5%/1.8Kohm)	
R9638	CRJ10DJ472T	RES, CHIP(1608/5%/4.7Kohm)	
R9639	CRJ10DJ472T	RES, CHIP(1608/5%/4.7Kohm)	
CN901	CJP15GB276ZY	WAFER, 20037WR-NN Series, 2mm, SMD, ANGLE, 15P	
CN902	CJP19GA193ZY	WAFER , CARD CABLE	
CN903	CJP12GA226ZB	DIP , SOCKET (12PIN, 2.54mm, SMD)	
C9001	CCEC1ACEEX151TY	CAP , ELEC SMD (150uF/10V, 8X10.5, SANYO)	
C9003	CCEC1ACEEX151TY	CAP , ELEC SMD (150uF/10V, 8X10.5, SANYO)	
C9004	CCUS1H104KC	CAP, CHIP(1608, 50V/0.1uF)	
C9005	CCEC1ACEEX151TY	CAP , ELEC SMD (150uF/10V, 8X10.5, SANYO)	
C9006	CCUS1H104KC	CAP, CHIP(1608, 50V/0.1uF)	
C9007	CCUS1H104KC	CAP, CHIP(1608, 50V/0.1uF)	
C9008	CCEC1ACEEX151TY	CAP , ELEC SMD (150uF/10V, 8X10.5, SANYO)	
C9216	CCUS1H104KC	CAP, CHIP(1608, 50V/0.1uF)	

C9217	CCUS1H104KC	CAP, CHIP(1608, 50V/0.1uF)
C9218	CCUS1H104KC	CAP, CHIP(1608, 50V/0.1uF)
C9219	CCUS1H104KC	CAP, CHIP(1608, 50V/0.1uF)
C9220	CCUS1H104KC	CAP, CHIP(1608, 50V/0.1uF)
C9221	CCUS1H104KC	CAP, CHIP(1608, 50V/0.1uF)
C9261	CCUS1H104KC	CAP, CHIP(1608, 50V/0.1uF)
C9383	CCUI1C104KC	CAP , CHIP (1005, 16V/0.1uF)
C9384	CCUC0J106KC	CAP, CHIP(2012, 6.3V/10uF)
C9385	CCUI1C104KC	CAP , CHIP (1005, 16V/0.1uF)
C9386	CCUS1H220JA	CAP, CHIP(1608, 50V/22pF)
C9387	CCUS1H270JA	CAP, CHIP(1608, 50V/27pF)
C9388	CCUC0J106KC	CAP, CHIP(2012, 6.3V/10uF)
C9389	CCUI1C104KC	CAP , CHIP (1005, 16V/0.1uF)
C9391	CCUI1C104KC	CAP , CHIP (1005, 16V/0.1uF)
C9392	CCUI1C104KC	CAP , CHIP (1005, 16V/0.1uF)
C9532	HCEC1CRV2100T	CAP, CHIP ELECT(16V/10uF)
C9534	HCEC1CRV2100T	CAP, CHIP ELECT(16V/10uF)
C9553	CCUYAR1C226KC	CAP , CHIP (3225, 16V/22uF)
C9557	CCUS1H473KC	CAP, CHIP(1608, 50V/0.047uF)
C9558	CCUS1H472KC	CAP, CHIP(1608, 50V/4700pF)
C9611	CCUS1H472KC	CAP, CHIP(1608, 50V/4700pF)
C9612	CCUS1H472KC	CAP, CHIP(1608, 50V/4700pF)
C9614	CCUS1H472KC	CAP, CHIP(1608, 50V/4700pF)
C9616	CCUS1H472KC	CAP, CHIP(1608, 50V/4700pF)
C9617	CCUS1H472KC	CAP, CHIP(1608, 50V/4700pF)
C9618	CCUS1H472KC	CAP, CHIP(1608, 50V/4700pF)
C9620	CCUS1H473KC	CAP, CHIP(1608, 50V/0.047uF)
C9621	CCUYAP0J226KC	CAP , CHIP (3216, 6.3V/22uF)
C9622	CCUS1H472KC	CAP, CHIP(1608, 50V/4700pF)
C9624	CCUS1H473KC	CAP, CHIP(1608, 50V/0.047uF)
C9625	CCUS1H472KC	CAP, CHIP(1608, 50V/4700pF)
C9626	CCUYAP0J226KC	CAP , CHIP (3216, 6.3V/22uF)
C9627	CCUS1H472KC	CAP, CHIP(1608, 50V/4700pF)
C9629	CCUS1A105KC	CAP, CHIP(1608, 10V/1uF)
C9631	CCUS1H472KC	CAP, CHIP(1608, 50V/4700pF)
C9632	CCUS1H472KC	CAP, CHIP(1608, 50V/4700pF)
C9634	HCEC0JRV2101T	CAP , CHIP ELECT
C9635	CCEC1ERV221T	CAP , SMD ELECT(MANLEX, RV, 25V/220, 8X10)
D9001	CVDSS34SR	DIODE , SCHOTTKY (40V,3A, DO-214AC) DELTA
IC911	CVIADV7844KBCZ	I.C, HDMI RX/Decoder(BGA-425P)
IC912	CVIA3S56D40FTPG5	I.C , 256MB DDR SDRAM(TOSPII-66P)
IC915	CVIADV7511KSTZ	I.C , HDMI TX (LQFP-100P)
IC916	HVILM1117S-5.0	IC REGULATOR/SOT-223
IC917	HVINJM2391DL133	I.C , CHIP REGULATOR (+3.3V) JRC
IC951	CVITPS65251RHAR	I.C, PMU WITH 3 DC/DC CONVERTER(QFN RHA40)
JK921	CJJ9H008Y	JACK, HDMI(TYPE-A, SMT-19P)
JK922	CJJ9H008Y	JACK, HDMI(TYPE-A, SMT-19P)
JK923	CJJ9H008Y	JACK, HDMI(TYPE-A, SMT-19P)
JK924	CJJ9H008Y	JACK, HDMI(TYPE-A, SMT-19P)
JK925	CJJ9H008Y	JACK, HDMI(TYPE-A, SMT-19P)
L9002	CLZ9Z014Z	FERRITE , CHIP BEAD(60ohm, 4516)
L9003	CLZ9Z014Z	FERRITE , CHIP BEAD(60ohm, 4516)
L9004	CLZ9Z014Z	FERRITE , CHIP BEAD(60ohm, 4516)



L9005	CLZ9Z014Z	FERRITE , CHIP BEAD(60ohm, 4516)	
L9009	CLZ9Z014Z	FERRITE , CHIP BEAD(60ohm, 4516)	
L9010	CLZ9Z014Z	FERRITE , CHIP BEAD(60ohm, 4516)	
L9011	CLZ9Z014Z	FERRITE , CHIP BEAD(60ohm, 4516)	
L9012	CLZ9Z014Z	FERRITE , CHIP BEAD(60ohm, 4516)	
L9013	CLZ9Z014Z	FERRITE , CHIP BEAD(60ohm, 4516)	
L9301	CLZ9R005Z	FERRITE CHIP BEAD(1608/60ohm)	
L9511	CLZ9Z014Z	FERRITE , CHIP BEAD(60ohm, 4516)	
L9551	CLZ9Z014Z	FERRITE , CHIP BEAD(60ohm, 4516)	
L9553	CLZ9Z014Z	FERRITE , CHIP BEAD(60ohm, 4516)	
L9556	CLQ14E4R7MRZ	COIL , SMD POWER (4.7UH/4A)	
L9557	CLQ14E4R7MRZ	COIL , SMD POWER (4.7UH/4A)	
L9558	CLQ14E4R7MRZ	COIL , SMD POWER (4.7UH/4A)	
L9559	CLQ14E4R7MRZ	COIL , SMD POWER (4.7UH/4A)	
Q9331	CVTKRC103S	T.R , CHIP , SOT-23	
RN931	CRJ064J330T	RES, CHIP(1005/5%/33ohm*4)	
RN932	CRJ064J330T	RES, CHIP(1005/5%/33ohm*4)	
RN933	CRJ064J330T	RES, CHIP(1005/5%/33ohm*4)	
RN934	CRJ064J330T	RES, CHIP(1005/5%/33ohm*4)	
RN935	CRJ064J330T	RES, CHIP(1005/5%/33ohm*4)	
RN936	CRJ064J330T	RES, CHIP(1005/5%/33ohm*4)	
RN937	CRJ064J330T	RES, CHIP(1005/5%/33ohm*4)	
RN938	CRJ064J330T	RES, CHIP(1005/5%/33ohm*4)	
RN939	CRJ064J330T	RES, CHIP(1005/5%/33ohm*4)	
RN940	CRJ064J330T	RES, CHIP(1005/5%/33ohm*4)	
RN941	CRJ064J330T	RES, CHIP(1005/5%/33ohm*4)	
RN942	CRJ064J330T	RES, CHIP(1005/5%/33ohm*4)	
RN943	CRJ064J330T	RES, CHIP(1005/5%/33ohm*4)	
RN944	CRJ064J330T	RES, CHIP(1005/5%/33ohm*4)	
RN945	CRJ064J330T	RES, CHIP(1005/5%/33ohm*4)	
RN946	CRJ064J330T	RES, CHIP(1005/5%/33ohm*4)	
RN947	CRJ064J330T	RES, CHIP(1005/5%/33ohm*4)	
RN948	CRJ064J330T	RES, CHIP(1005/5%/33ohm*4)	
RN949	CRJ064J330T	RES, CHIP(1005/5%/33ohm*4)	
R9242	CRJ10DJ510T	RES, CHIP(1608/5%/51ohm)	
R9243	CRJ10DJ510T	RES, CHIP(1608/5%/51ohm)	
R9244	CRJ10DJ510T	RES, CHIP(1608/5%/51ohm)	
R9245	CRJ10DJ105T	RES, CHIP(1608/5%/1Mohm)	
R9246	CRJ10DJ105T	RES, CHIP(1608/5%/1Mohm)	
R9247	CRJ10DJ240T	RES, CHIP(1608/5%/24ohm)	
R9248	CRJ10DJ240T	RES, CHIP(1608/5%/24ohm)	
R9249	CRJ10DJ240T	RES, CHIP(1608/5%/24ohm)	
R9261	CRJ10DJ240T	RES, CHIP(1608/5%/24ohm)	
R9306	CRJ10DJ330T	RES, CHIP(1608/5%/33ohm)	
R9326	CRJ10DJ103T	RES, CHIP(1608/5%/10Kohm)	
R9328	CRJ06J472T	RES, CHIP(1005/5%/4.7Kohm)	
R9330	CRJ06J0R0T	RES, CHIP(1005/5%/0ohm)	
R9331	CRJ06J330T	RES, CHIP(1005/5%/33ohm)	
R9334	CRJ10DJ330T	RES, CHIP(1608/5%/33ohm)	
R9352	CRJ10DJ104T	RES, CHIP(1608/5%/100Kohm)	
R9511	CRJ10DJ101T	RES, CHIP(1608/5%/100ohm)	
R9512	CRJ10DJ101T	RES, CHIP(1608/5%/100ohm)	
R9514	CRJ10DF1001T	RES, CHIP(1608/1%/1Kohm)	

R9515	CRJ10DF8201T	RES, CHIP(1608/1%/8.2Kohm)	
R9517	CRJ06J0R0T	RES, CHIP(1005/5%/0ohm)	
R9518	CRJ10DJ0R0T	RES, CHIP(1608/5%/0ohm)	
R9528	CRJ10DJ220T	RES, CHIP(1608/5%/22ohm)	
R9529	CRJ10DJ220T	RES, CHIP(1608/5%/22ohm)	
R9532	CRJ10DJ103T	RES, CHIP(1608/5%/10Kohm)	
R9539	CRJ10DJ103T	RES, CHIP(1608/5%/10Kohm)	
R9611	CRJ10DJ0R0T	RES, CHIP(1608/5%/0ohm)	
R9612	CRJ10DJ0R0T	RES, CHIP(1608/5%/0ohm)	
R9613	CRJ10DF4022T	RES, CHIP(1608/1%/40.2Kohm)	
R9614	CRJ10DF6651T	RES, CHIP(1608/1%/6.65Kohm)	
R9615	CRJ10DJ103T	RES, CHIP(1608/5%/10Kohm)	
R9617	CRJ10DJ154T	RES, CHIP(1608/5%/150Kohm)	
R9618	CRJ10DJ203T	RES, CHIP(1608/5%/20Kohm)	
R9619	CRJ10DJ0R0T	RES, CHIP(1608/5%/0ohm)	
R9620	CRJ10DF3833T	RES, CHIP(1608/1%/383Kohm)	
R9621	CRJ10DJ203T	RES, CHIP(1608/5%/20Kohm)	
R9622	CRJ10DJ104T	RES, CHIP(1608/5%/100Kohm)	
R9624	CRJ10DJ103T	RES, CHIP(1608/5%/10Kohm)	
R9625	CRJ10DJ0R0T	RES, CHIP(1608/5%/0ohm)	
R9626	CRJ10DF4022T	RES, CHIP(1608/1%/40.2Kohm)	
R9627	CRJ10DF3242T	RES, CHIP(1608/1%/32.4Kohm)	
R9628	CRJ10DJ103T	RES, CHIP(1608/5%/10Kohm)	
R9630	CRJ10DJ0R0T	RES, CHIP(1608/5%/0ohm)	
R9631	CRJ10DF4022T	RES, CHIP(1608/1%/40.2Kohm)	
R9632	CRJ10DF1872T	RES, CHIP(1608/1%/18.7Kohm)	
R9633	CRJ10DJ104T	RES, CHIP(1608/5%/100Kohm)	
R9634	CRJ10DJ0R0T	RES, CHIP(1608/5%/0ohm)	
R9635	CRJ10DJ103T	RES, CHIP(1608/5%/10Kohm)	
R9636	CRJ10DJ203T	RES, CHIP(1608/5%/20Kohm)	
R9637	CRJ10DJ154T	RES, CHIP(1608/5%/150Kohm)	
X9301	COX28636E330S	CRYSTAL, 28.636MHz, HC-49/SMD, 33pF, 30PPM	
BK901	CMD1A569	BRACKET , PCB	
CN905	CJP18GB143ZB	FEMALE HEADER (18P, 2.54mm) , ANGLE TYPE	
	CWZPM5003TW91A	2P WIRE ASS'Y(100MM)	
RT01	CJJ8A006ZW	RECEPTACLE , AC(15A/250V,R-301,B21)	
TW91	CWZPM5003TW91	2P WIRE ASS'Y(100MM)	
	KBA2C6300TLEY	FUSE(218 Series, 250V, 6.3A)	
CB162	CWC4F2A19A100B10	CARD , CABLE (19P,1.00mm,100mm,B,10mm)	
	CABR6PPB	BATTERY , AA 2 PCS IN PACK	
	CARTT748U	REMOCON ASS'Y (43KEY)	
	CJXT747A	MICROPHONE ASS'Y WITH FERRITE CORE	
	CJXT747	MICROPHONE ASS'Y	
	CLZ9Z071Z	FERRITE , CORE	
	CSA1A018Z	FM 1 POLE ANT	
	CSA1A020Z	ANT , AM LOOP	
CB501	CWC4C4A23B270B08	CARD , CABLE (23P,1.25mm,270mm,B,8mm)	
	CFNRDM6025S	MOTOR , FAN (60X60X25) 12V, 0.1A	
	CJA2B054Z	CORD , POWER(DETACHABLE/EUR)	ONLY C/CT VERSION
	CJA2A070Z	CORD , POWER(PLUG+SOCKET)UL	ONLY AH VERSION
	CLT5V061ZE	TRANS , POWER T748C	ONLY C/CT VERSION
	CLT5V061ZU	TRANS , POWER T748AH	ONLY AH VERSION
	CFNRDH8025B1	MOTOR , DC FAN (80X80X25)	