



# T 752

AV Surround Sound Receiver

---

## SERVICE MANUAL ADDENDUM

---

# CONTENTS

## MAIN BOARD (ISSUE 6 - PN-01)

VERSION HISTORY ..... 3  
PCB LAYOUT ..... 4 - 7  
SCHEMATIC DIAGRAM ..... 8 - 11

## TRIGGER (ISSUE 6 - PN-01)

VERSION HISTORY ..... 12  
PCB LAYOUT ..... 13  
SCHEMATIC DIAGRAM ..... 14 - 15

## KEYBOARD (ISSUE 6 - PN-01)

VERSION HISTORY ..... 16  
PCB LAYOUT ..... 17 - 20  
SCHEMATIC DIAGRAM ..... 21 - 24

## DSP (ISSUE 6 - PN-02)

VERSION HISTORY ..... 25  
PCB LAYOUT ..... 26 - 30  
SCHEMATIC DIAGRAM ..... 31 - 35

## AUDIO (ISSUE 6 - PN-03)

VERSION HISTORY ..... 36  
PCB LAYOUT ..... 37 - 39  
SCHEMATIC DIAGRAM ..... 40 - 43

## DIGITAL IN/OUT (ISSUE 6 - PN-02)

VERSION HISTORY ..... 44  
PCB LAYOUT ..... 44 - 45  
SCHEMATIC DIAGRAM ..... 46 - 50

## PRE-OUT (ISSUE 6 - PN-02)

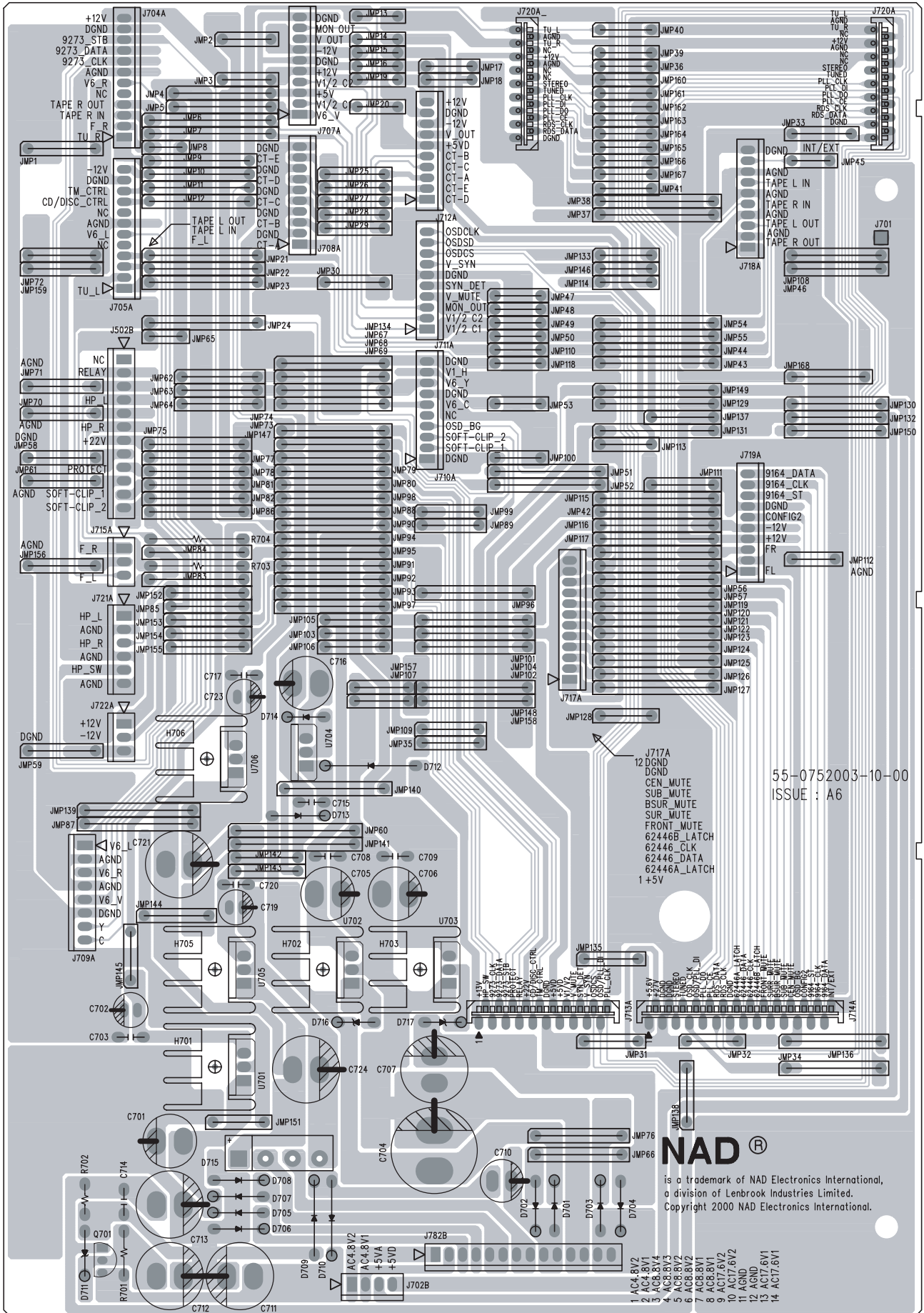
VERSION HISTORY ..... 51  
PCB LAYOUT ..... 52 - 54  
SCHEMATIC DIAGRAM ..... 55 - 59

# VERSION HISTORY

## MAIN BOARD

ISSUE	DESC. / PART NO.	CAUSE(S)	SERIAL NUMBER
<b>ISSUE 6</b>	MAIN BOARD : 55-0752003-10-00 A6		R28T75200001-R28T75200280 R28T75200401-R28T75200481
<b>ISSUE 7</b>	MAIN BOARD : 55-0752003-10-00 A7	<ul style="list-style-type: none"> <li>• Add +5.6V to Pre-Out</li> </ul>	R28T75200281-R28T75200400 R28T75200482-R28T75201253 R2XT75203301-R2XT75203460
<b>ISSUE 8</b>	MAIN BOARD : 55-0752003-10-00 A8	<ul style="list-style-type: none"> <li>• Add Connector option for DSP</li> </ul>	R28T75201254-R29T75202800 R2XT75202801-R2XT75203300 R2XT75203461-R2XT75203514
<b>PN-01</b>	MAIN BOARD : 55-0752003-10-01	<ul style="list-style-type: none"> <li>• No layout change</li> </ul>	R2XT75203515-R2XT75204550 R2YT75204551-R2YT75205594 R2YT75207629-R2YT75207685 R2ZT75205595-R2ZT75206600 R31T75206601-R31T75207100 R32T75207101-R32T75207600 R33T75207601-R33T75207727 R34T75207728-R34T75209227 R37T75209228-R37T75210377 R38T75210378-R38T75210667

# PCB LAYOUT MAIN BOARD (ISSUE 6)

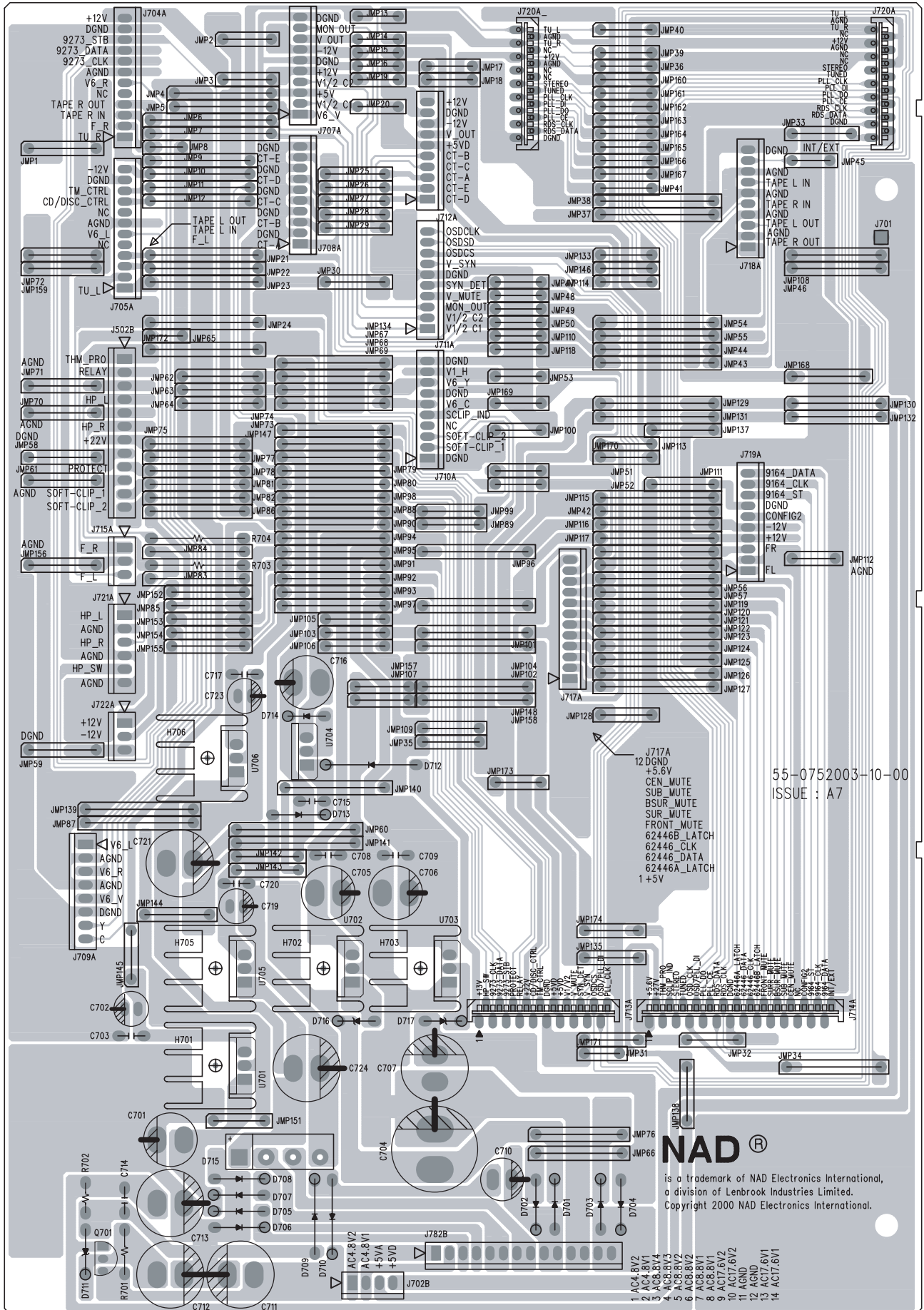


55-0752003-10-00  
ISSUE : A6

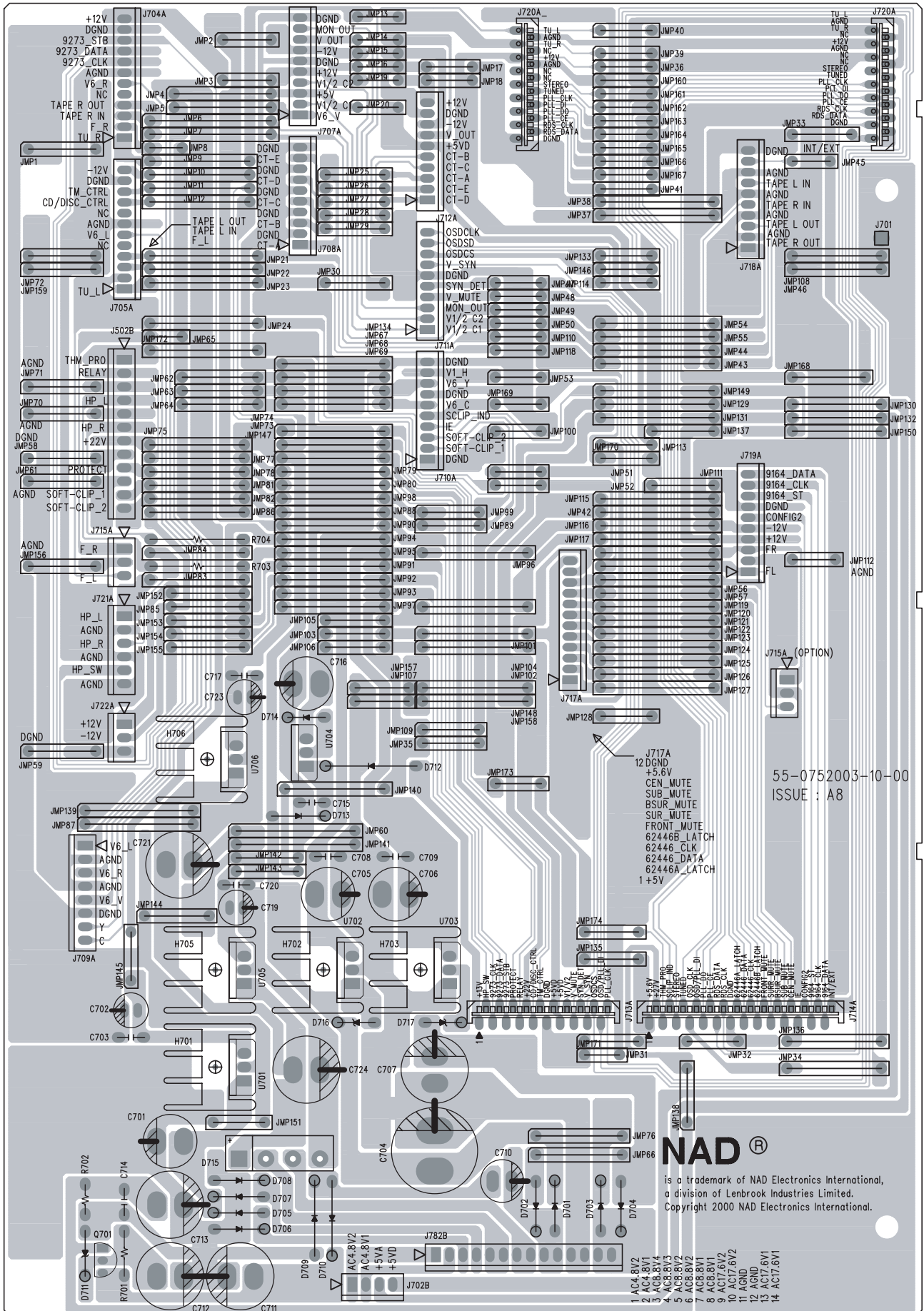
**NAD** <sup>®</sup>  
is a trademark of NAD Electronics International,  
a division of Lenbrook Industries Limited.  
Copyright 2000 NAD Electronics International.

- 1 AC4.8V2
- 2 AC4.8V1
- 3 AC8.BV4
- 4 AC8.BV3
- 5 AC8.BV2
- 6 AC8.BV2
- 7 AC8.BV1
- 8 AC8.BV1
- 9 AC17.6V2
- 10 AC17.6V2
- 11 AGND
- 12 AC17.6V1
- 14 AC17.6V1

# PCB LAYOUT MAIN BOARD (ISSUE 7)



# PCB LAYOUT MAIN BOARD (ISSUE 8)

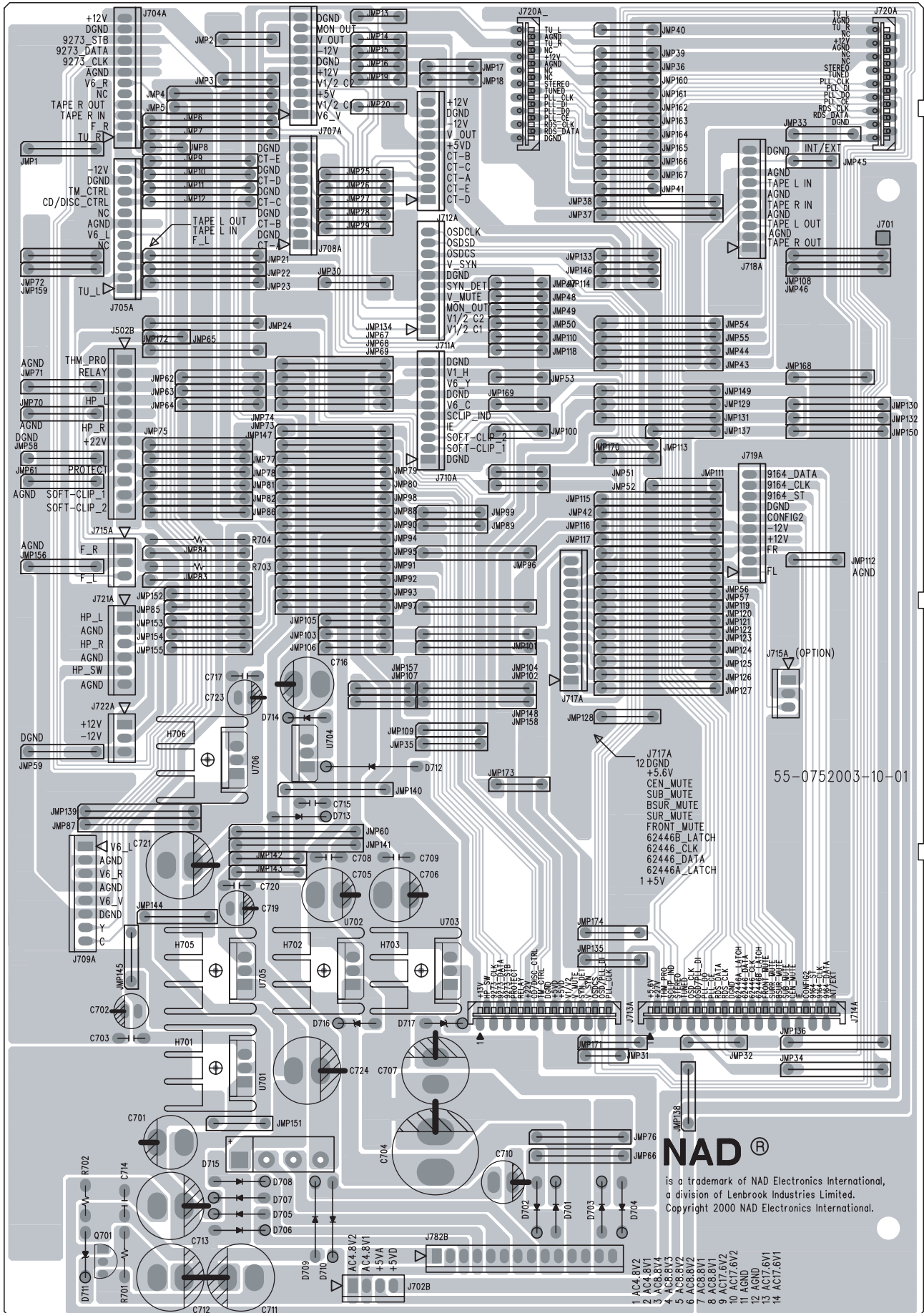


55-0752003-10-00  
ISSUE : A8

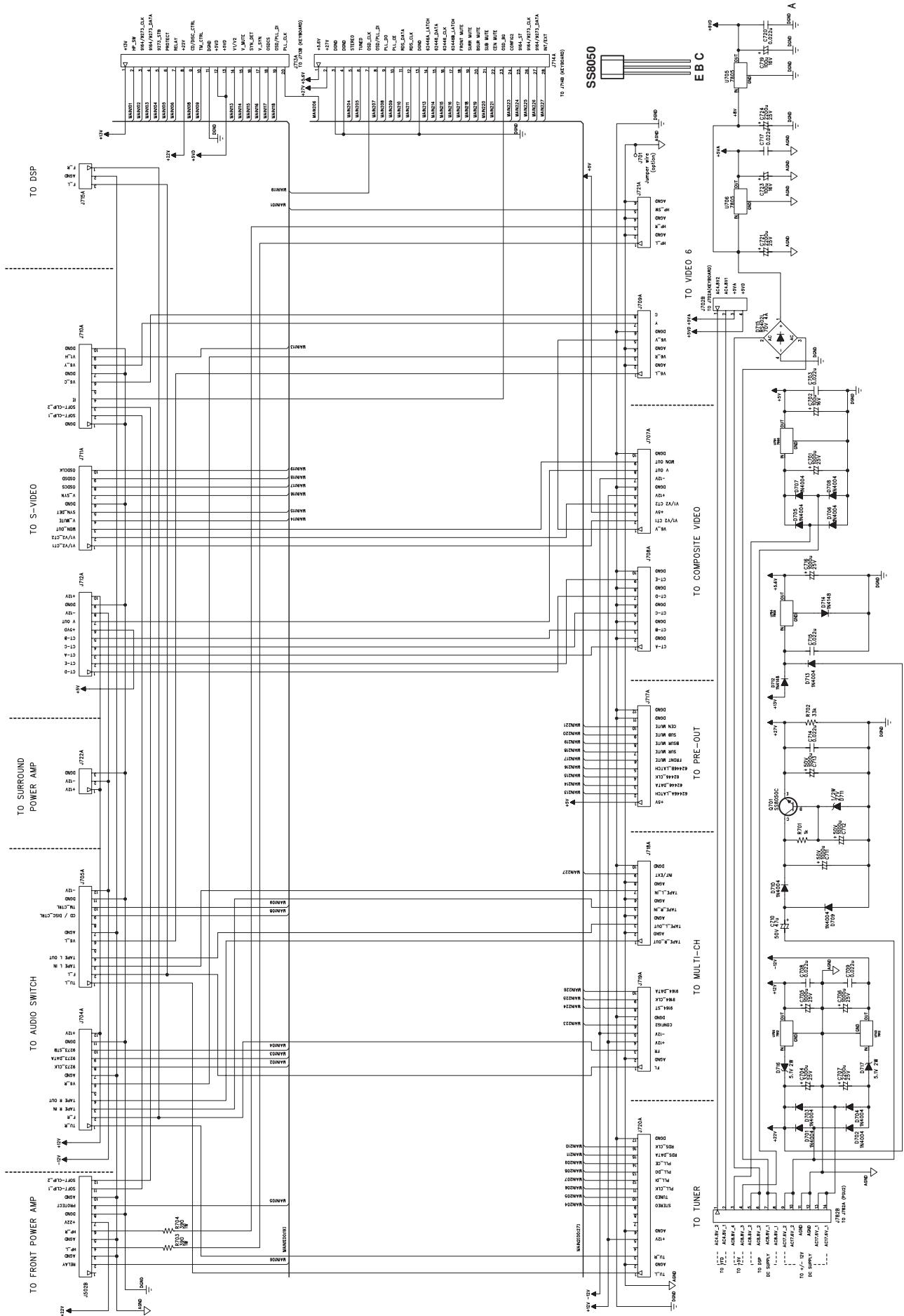
**NAD**®  
is a trademark of NAD Electronics International,  
a division of Lenbrook Industries Limited.  
Copyright 2000 NAD Electronics International.

- 1 AC4.8V2
- 2 AC4.8V1
- 3 AC8.8V4
- 4 AC8.8V3
- 5 AC8.8V2
- 6 AC8.8V1
- 7 AC8.8V0
- 8 AC7.6V2
- 9 AC7.6V1
- 10 AC7.6V0
- 11 AGND
- 12 AGND
- 13 AC17.6V1
- 14 AC17.6V0

# PCB LAYOUT MAIN BOARD (PN-01)

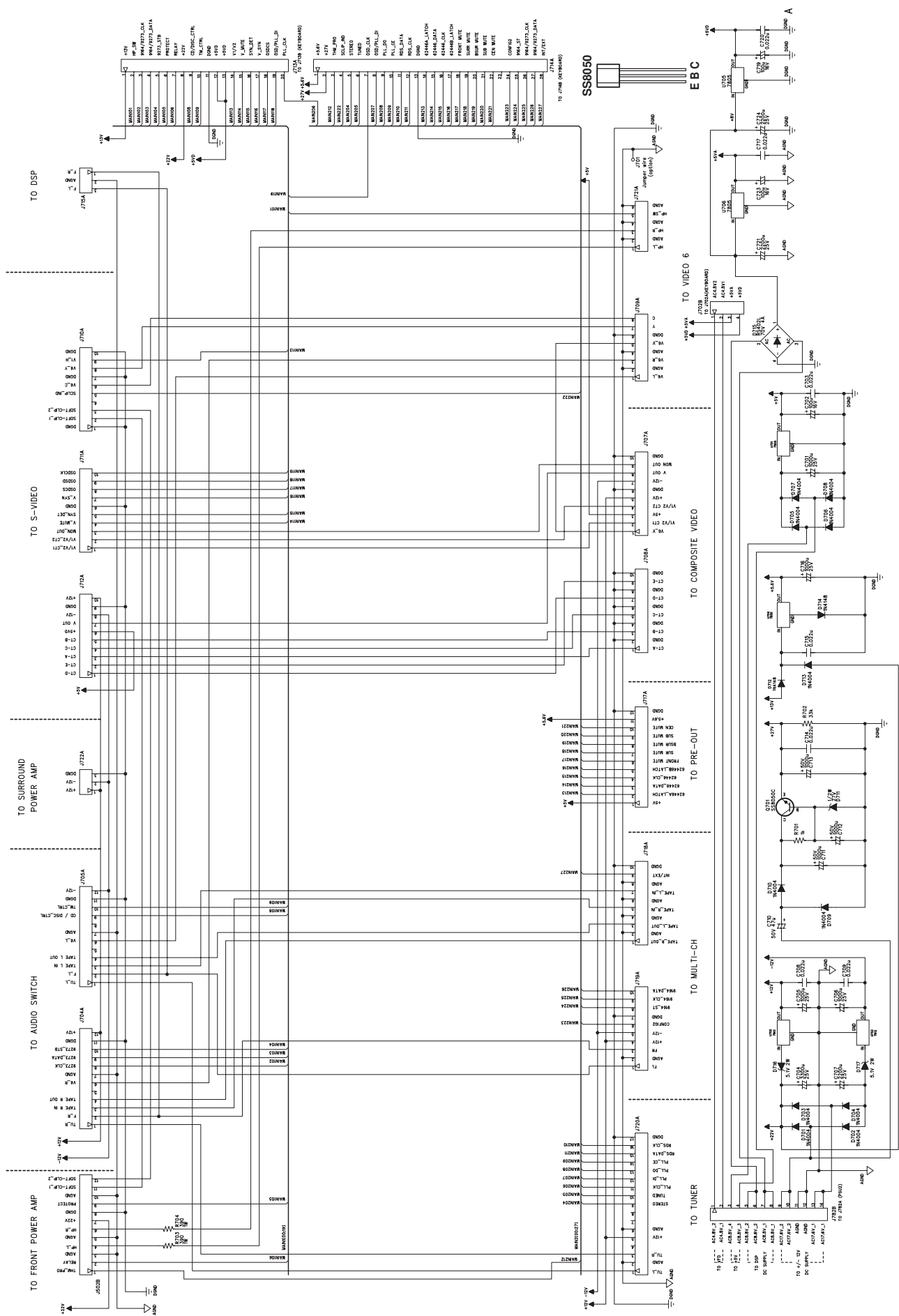


# SCHEMATIC DIAGRAM MAIN BOARD (ISSUE 6)

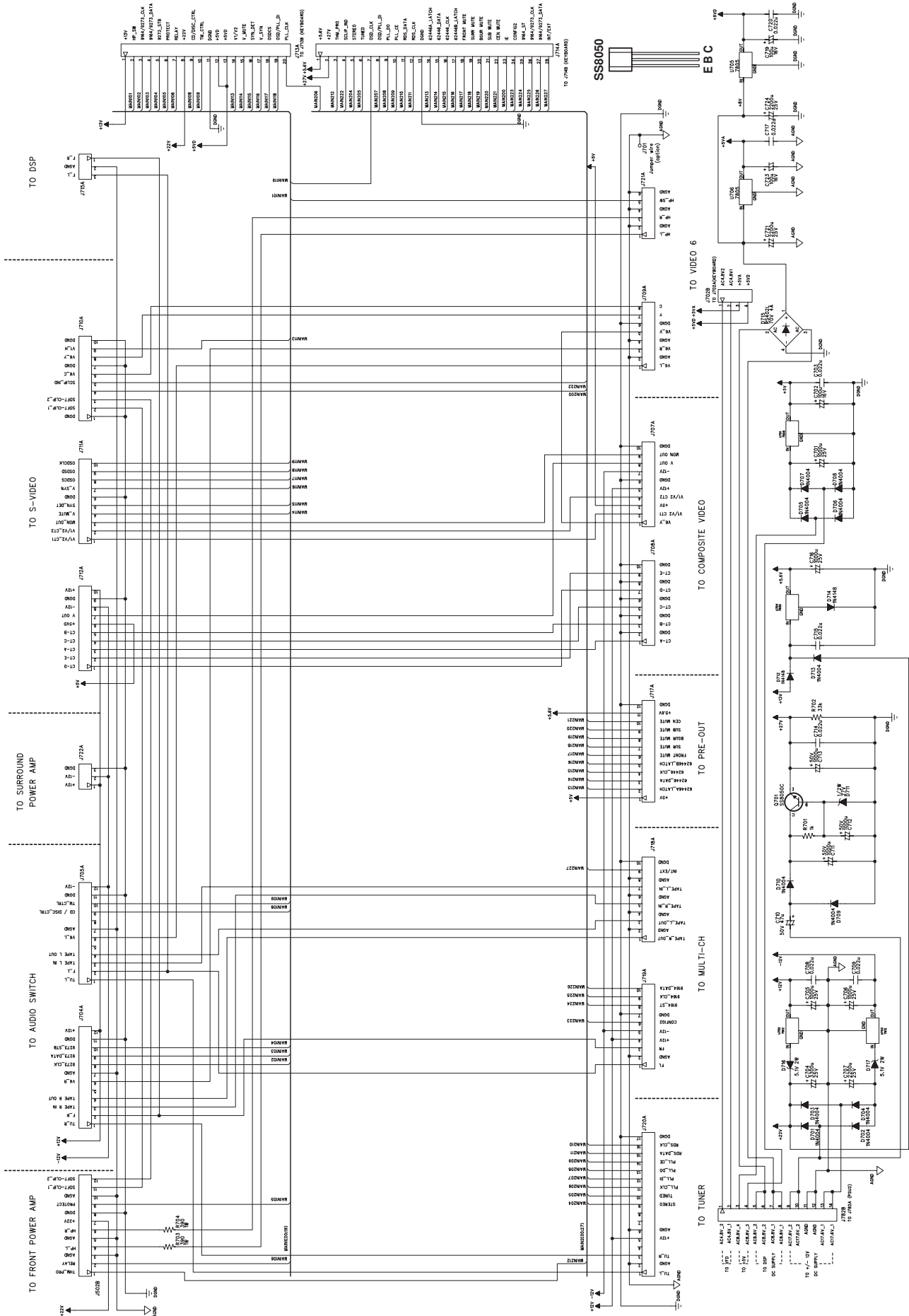




# SCHEMATIC DIAGRAM MAIN BOARD (ISSUE 7)



# SCHEMATIC DIAGRAM MAIN BOARD (ISSUE 8)



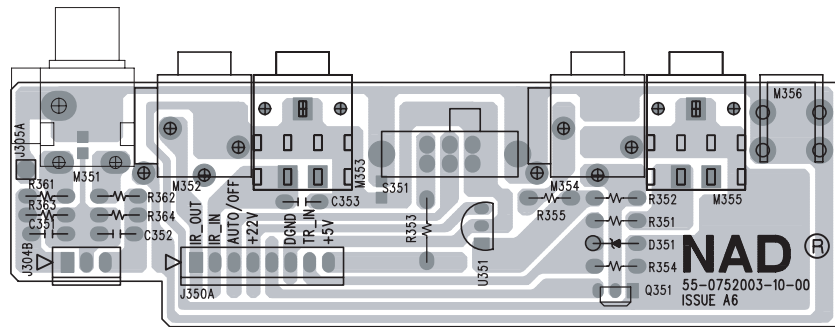


# VERSION HISTORY

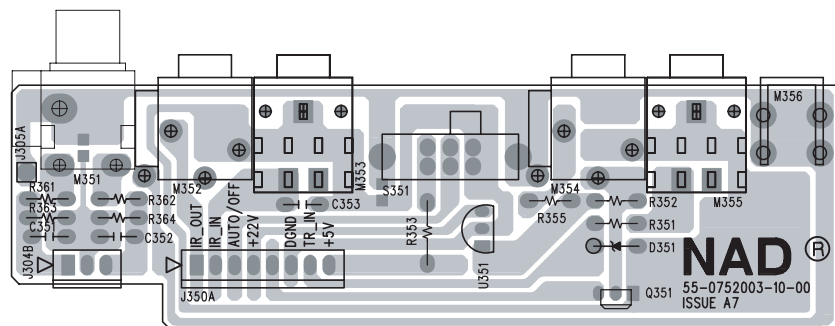
## TRIGGER BOARD

ISSUE	DESC. / PART NO.	CAUSE(S)	SERIAL NUMBER
<b>ISSUE 6</b>	TRIGGER BOARD : 55-0752003-10-00 A6		R28T75200001-R28T75200280 R28T75200401-R28T75200481
<b>ISSUE 7</b>	TRIGGER BOARD : 55-0752003-10-00 A7	<ul style="list-style-type: none"> <li>• Delete R354 (Trigger in)</li> </ul>	R28T75200281-R28T75200400 R28T75200482-R28T75201253 R2XT75203301-R2XT75203460
<b>ISSUE 8</b>	TRIGGER BOARD : 55-0752003-10-00 A8	<ul style="list-style-type: none"> <li>• Circuit update (IR OUT)</li> <li>• Add Resistor to GND (Trigger IN/OUT)</li> </ul>	R28T75201254-R29T75202800 R2XT75202801-R2XT75203300 R2XT75203461-R2XT75203514
<b>PN-01</b>	TRIGGER BOARD : 55-0752003-10-01	<ul style="list-style-type: none"> <li>• Delete C353 (IR IN)</li> </ul>	R2XT75203515-R2XT75204550 R2YT75204551-R2YT75205594 R2YT75207629-R2YT75207685 R2ZT75205595-R2ZT75206600 R31T75206601-R31T75207100 R32T75207101-R32T75207600 R33T75207601-R33T75207727 R34T75207728-R34T75209227 R37T75209228-R37T75210377 R38T75210378-R38T75210667

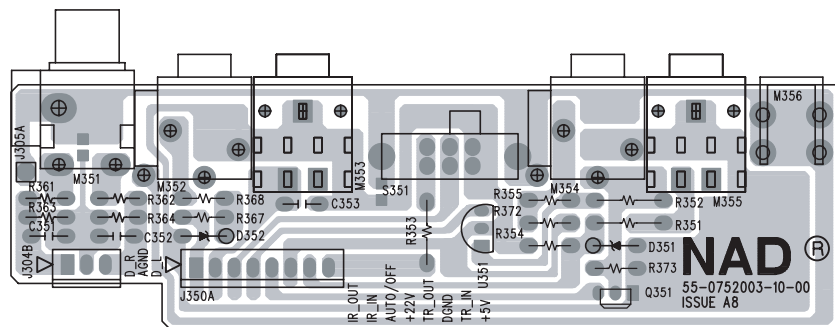
# PCB LAYOUT TRIGGER BOARD (ISSUE 6)



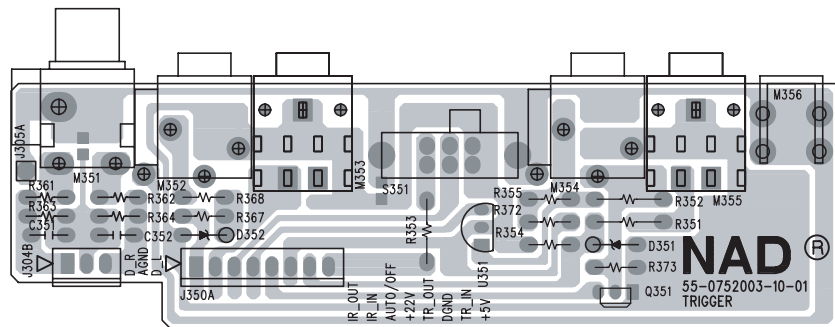
# TRIGGER BOARD (ISSUE 7)



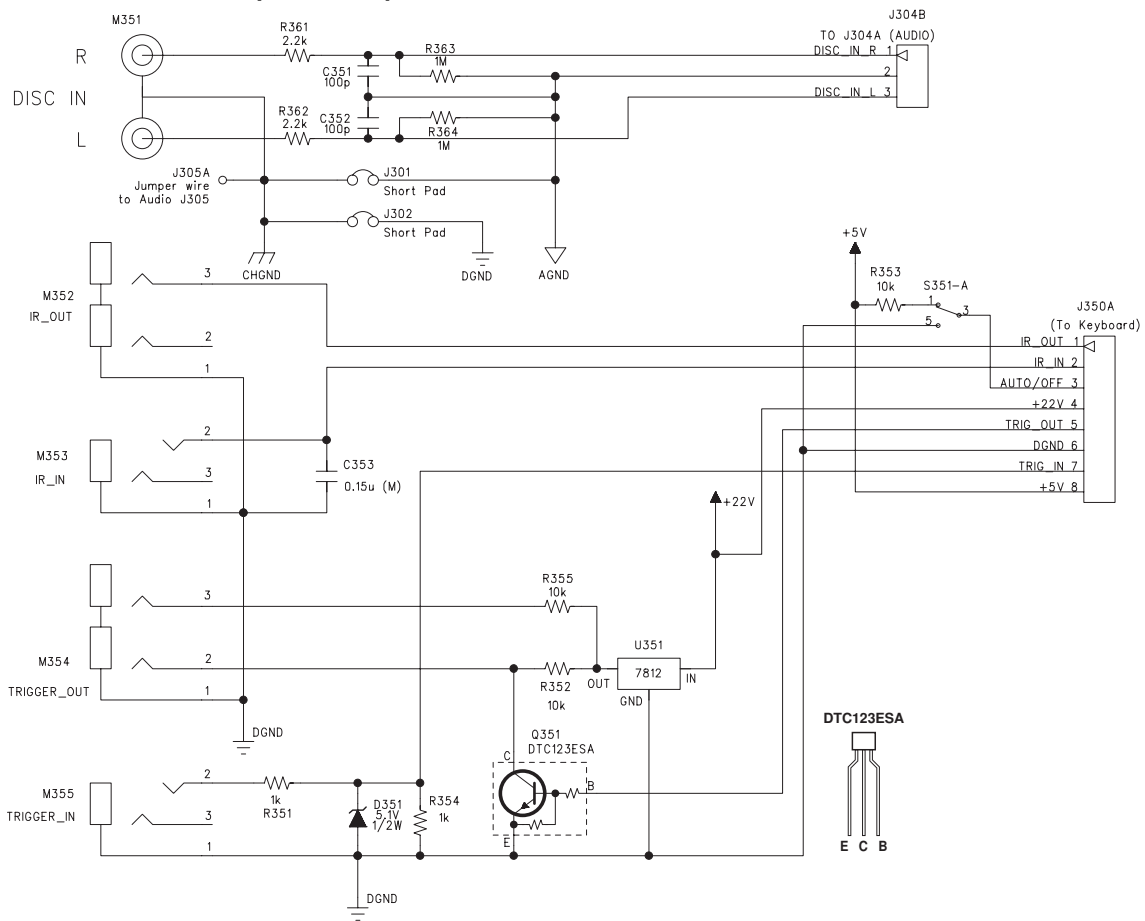
# TRIGGER BOARD (ISSUE 8)



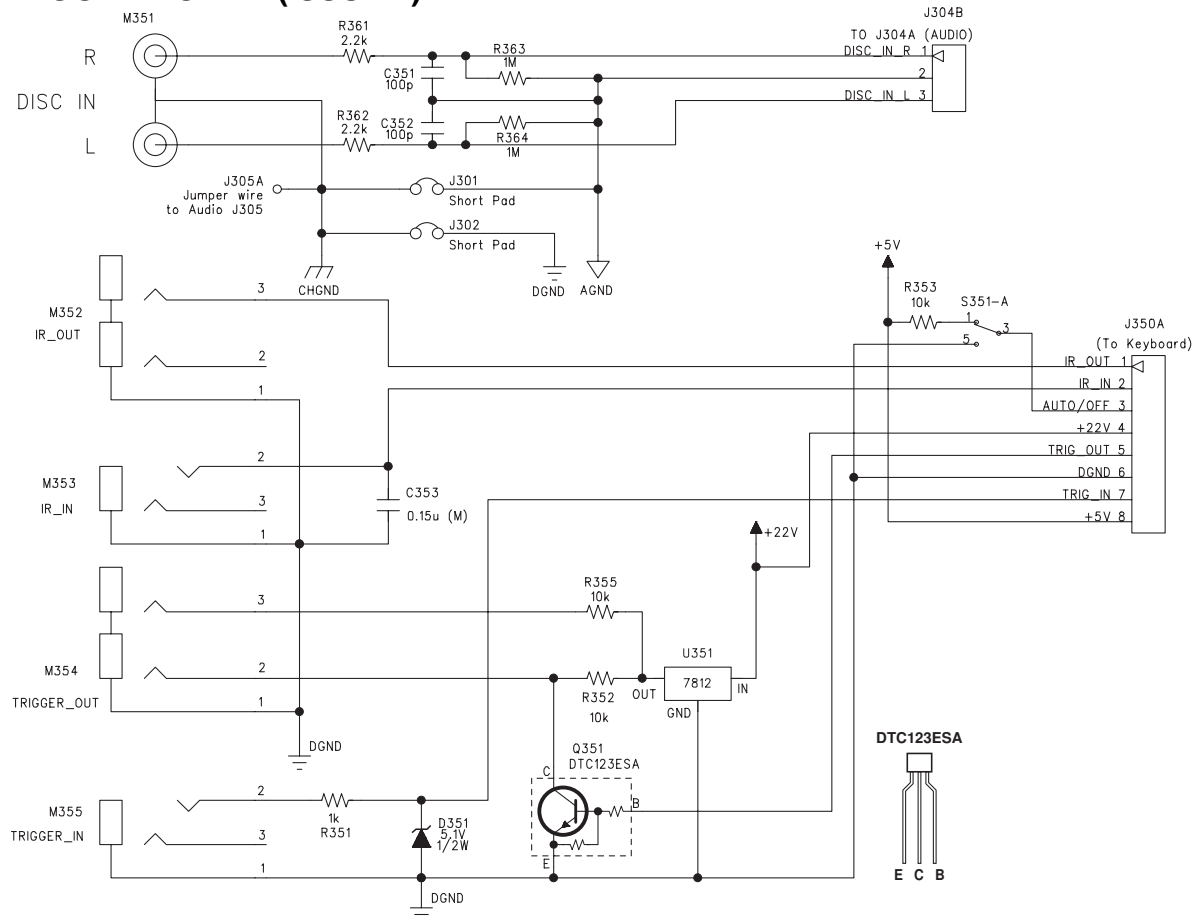
# TRIGGER BOARD (PN-01)



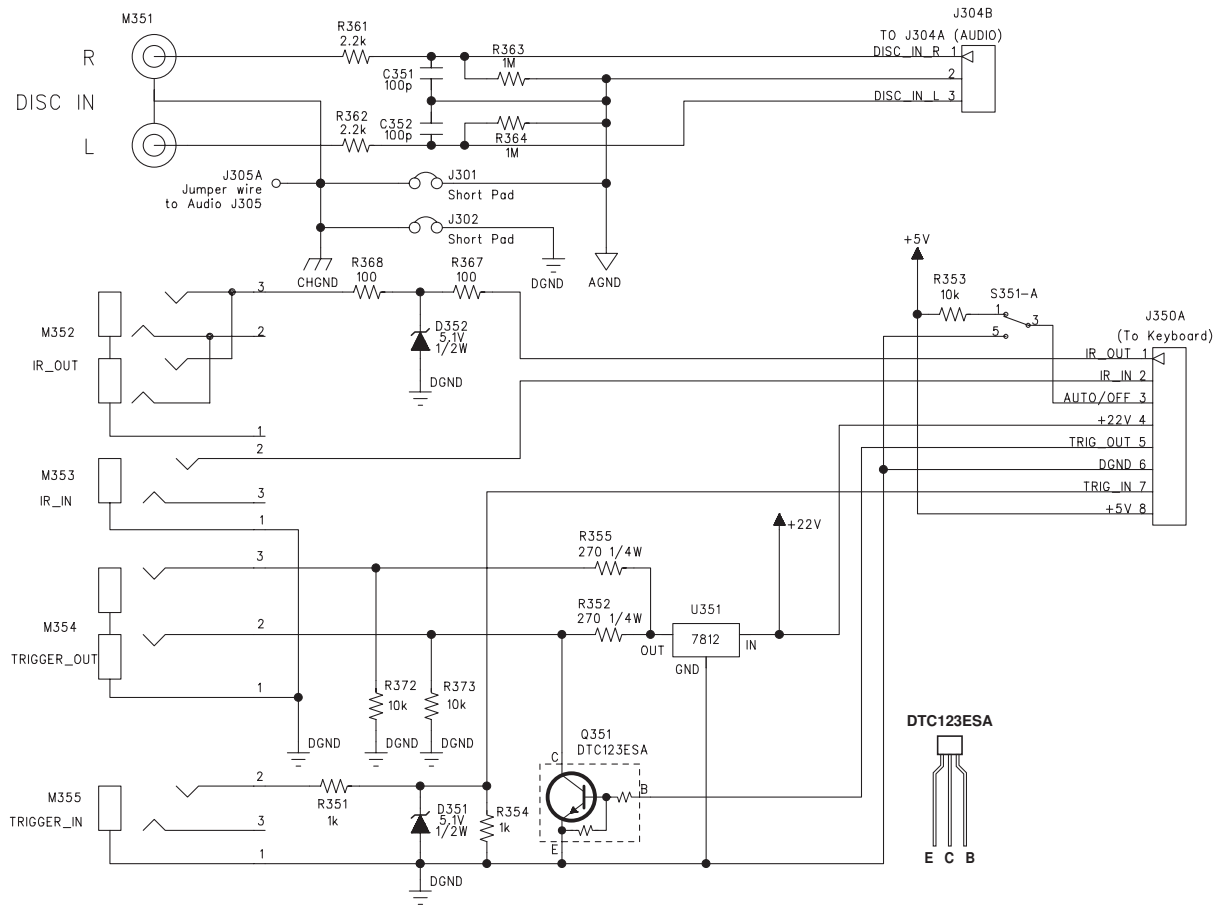
# SCHEMATIC DIAGRAM TRIGGER BOARD (ISSUE 6)



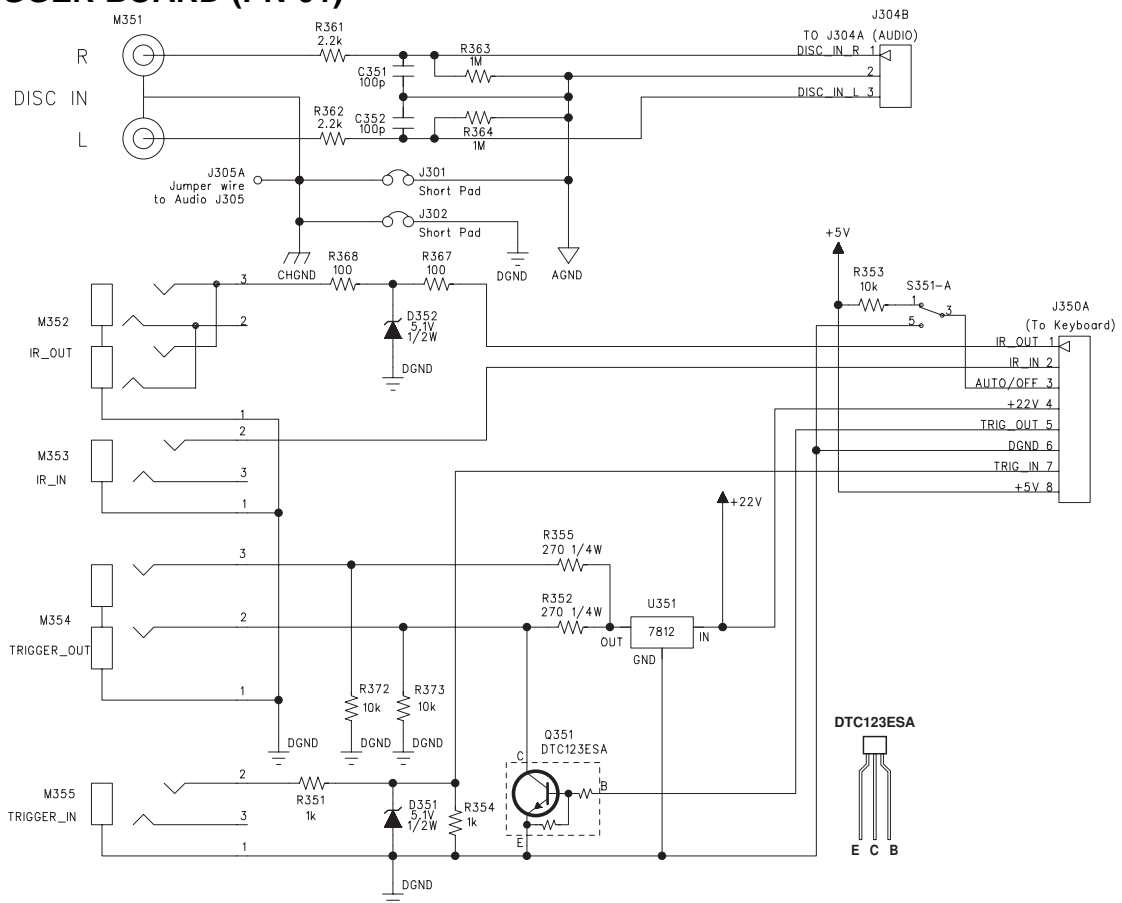
# TRIGGER BOARD (ISSUE 7)



# SCHEMATIC DIAGRAM TRIGGER BOARD (ISSUE 8)



# TRIGGER BOARD (PN-01)



# VERSION HISTORY

## KEYBOARD

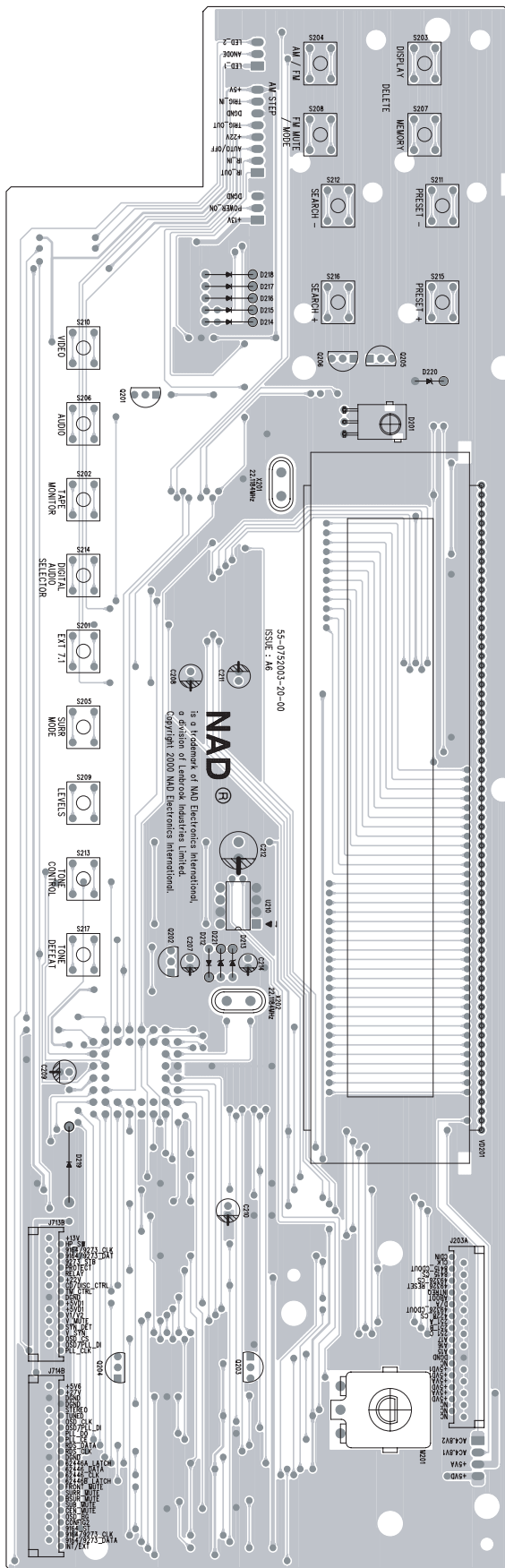
ISSUE	DESC. / PART NO.	CAUSE(S)	SERIAL NUMBER
<b>ISSUE 6</b>	KEYBOARD : 55-0752003-20-00 A6		R28T75200001-R28T75200280 R28T75200401-R28T75200481
<b>ISSUE 7</b>	KEYBOARD : 55-0752003-20-00 A7	<ul style="list-style-type: none"> <li>• New connection of THERMAL</li> </ul>	R28T75200281-R28T75200400 R28T75200482-R28T75201253 R2XT75203301-R2XT75203460
<b>ISSUE 8</b>	KEYBOARD : 55-0752003-20-00 A8	<ul style="list-style-type: none"> <li>• No layout change</li> </ul>	R28T75201254-R29T75202800 R2XT75202801-R2XT75203300 R2XT75203461-R2XT75203514
<b>PN-01</b>	KEYBOARD : 55-0752003-20-01	<ul style="list-style-type: none"> <li>• Add RC of Rotary Encoder</li> </ul>	R2XT75203515-R2XT75204550 R2YT75204551-R2YT75205594 R2YT75207629-R2YT75207685 R2ZT75205595-R2ZT75206600 R31T75206601-R31T75207100 R32T75207101-R32T75207600 R33T75207601-R33T75207727 R34T75207728-R34T75209227 R37T75209228-R37T75210377 R38T75210378-R38T75210667



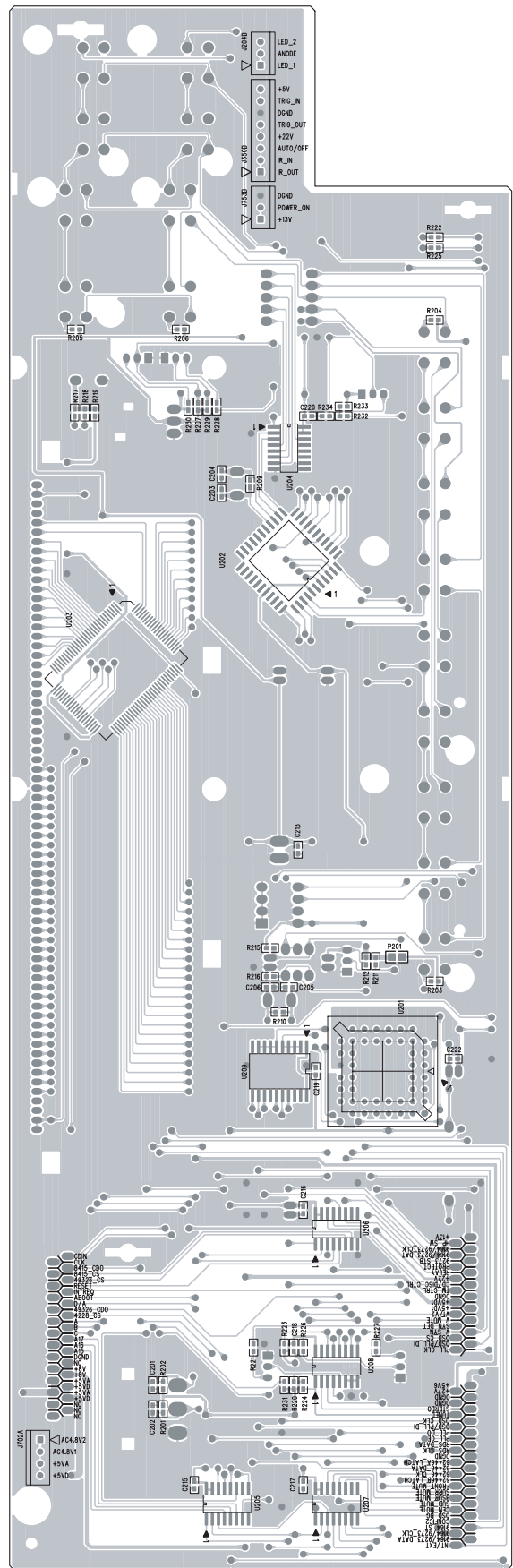
# PCB LAYOUT

## KEYBOARD (ISSUE 6)

### COMPONENT SIDE

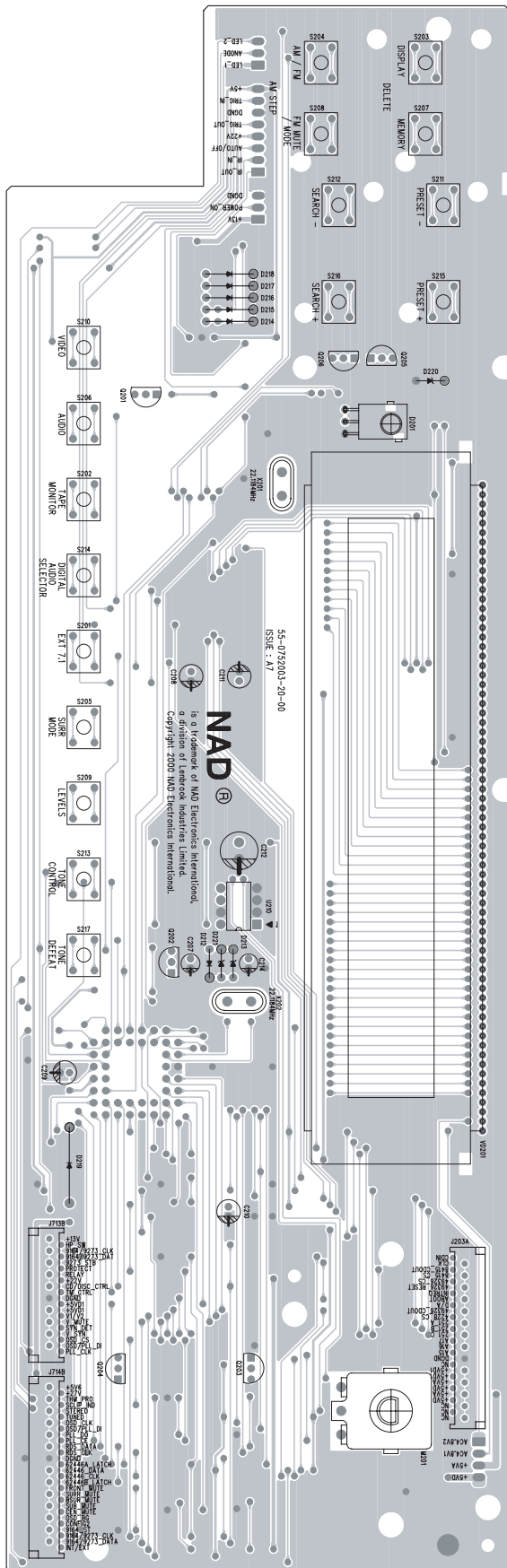


### COPPER SIDE

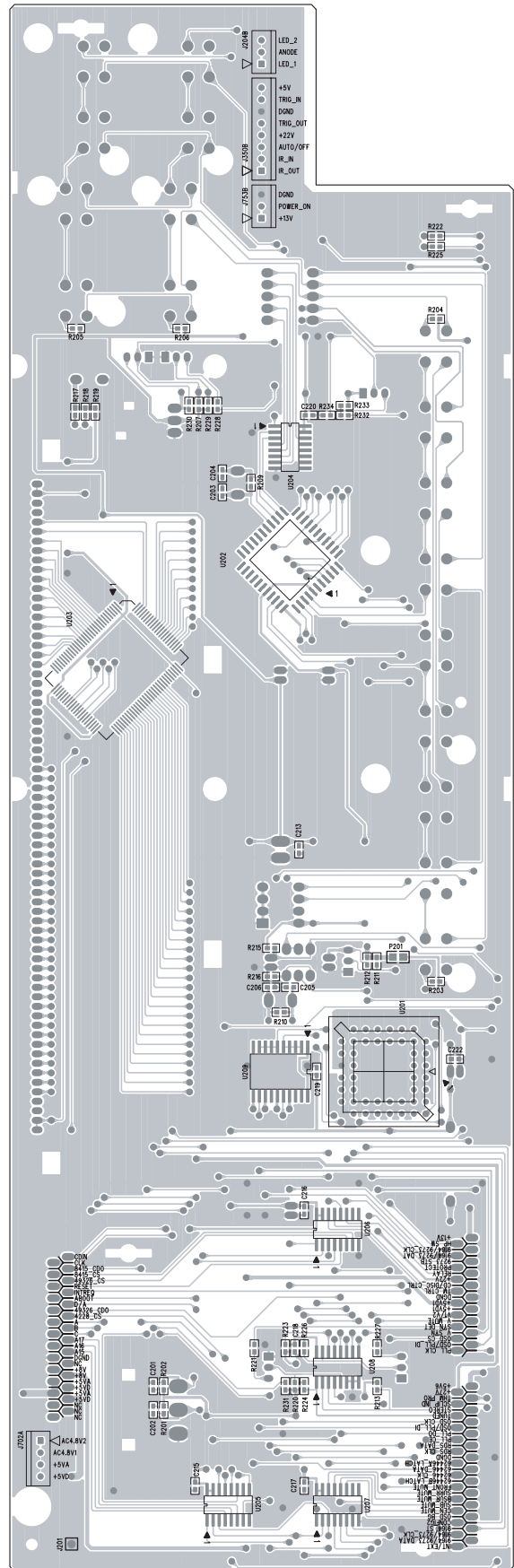


# PCB LAYOUT KEYBOARD (ISSUE 7)

## COMPONENT SIDE

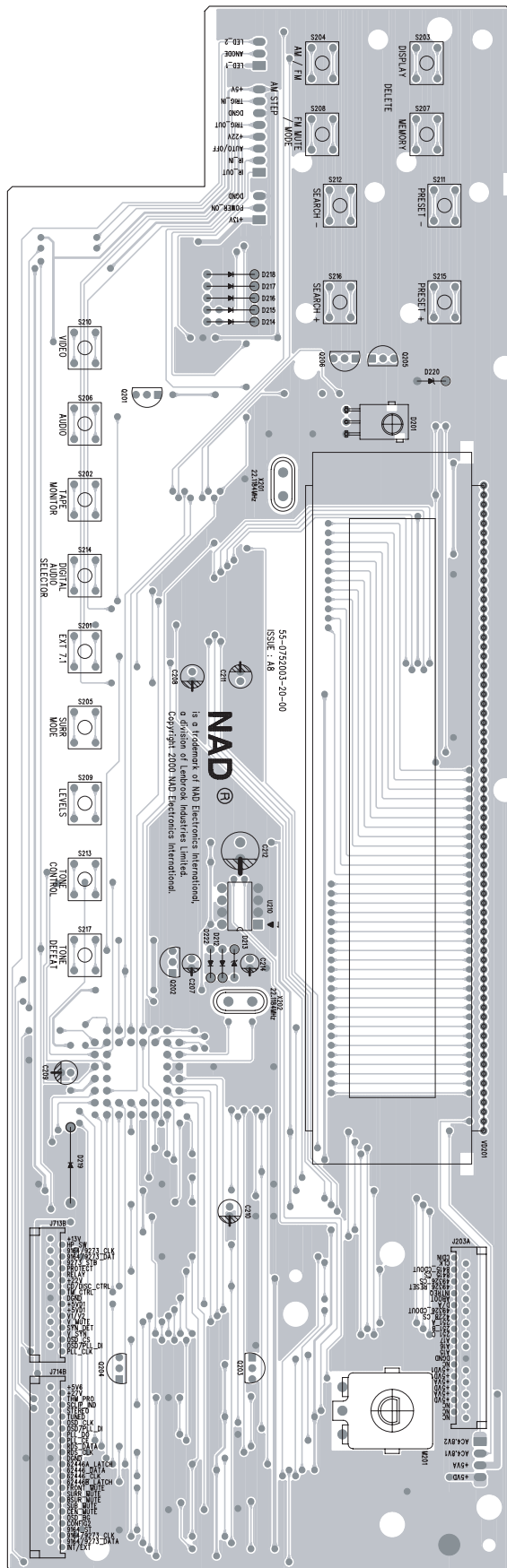


## COPPER SIDE

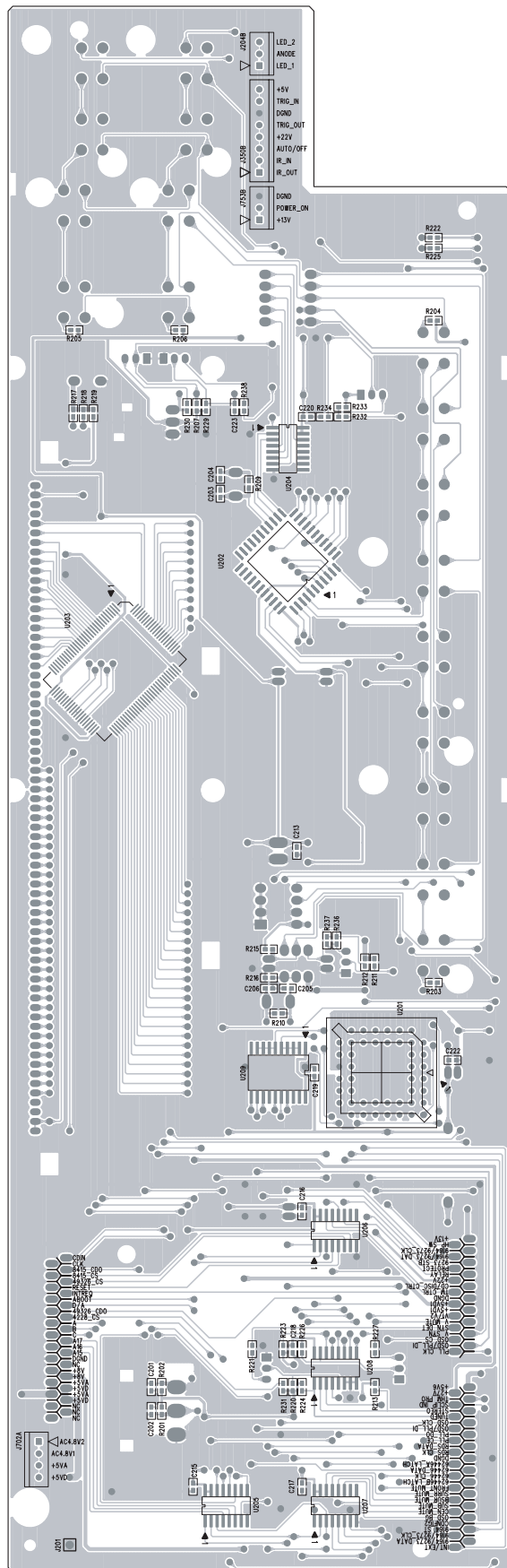


# PCB LAYOUT KEYBOARD (ISSUE 8)

## COMPONENT SIDE

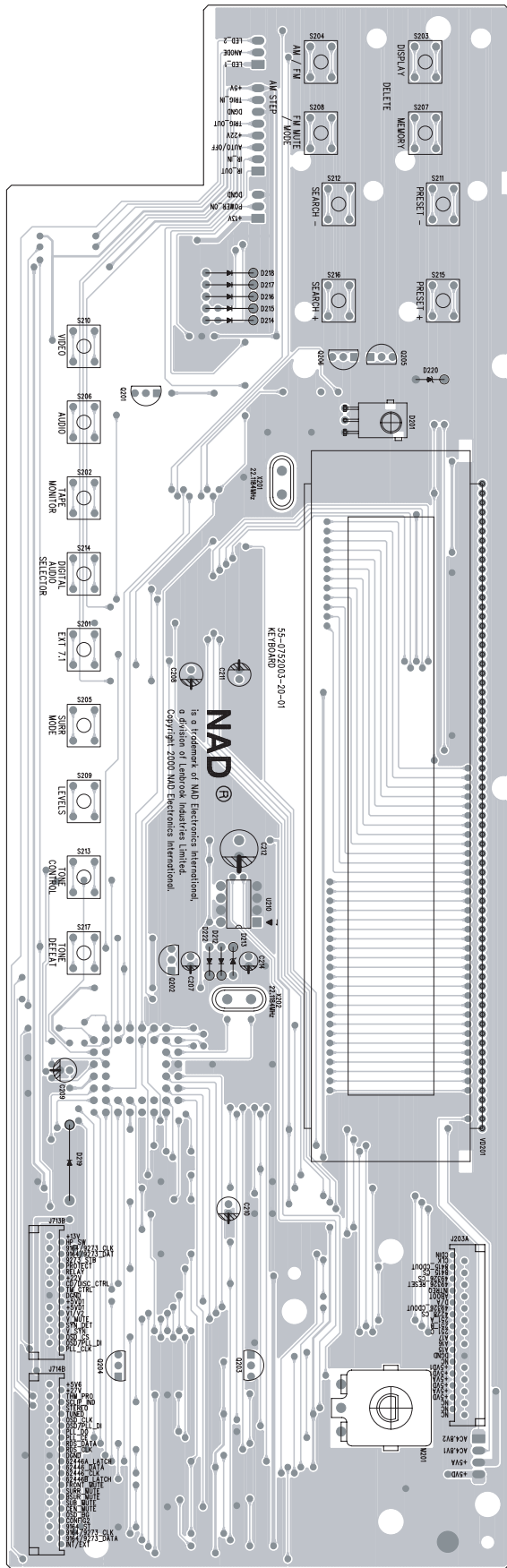


## COPPER SIDE

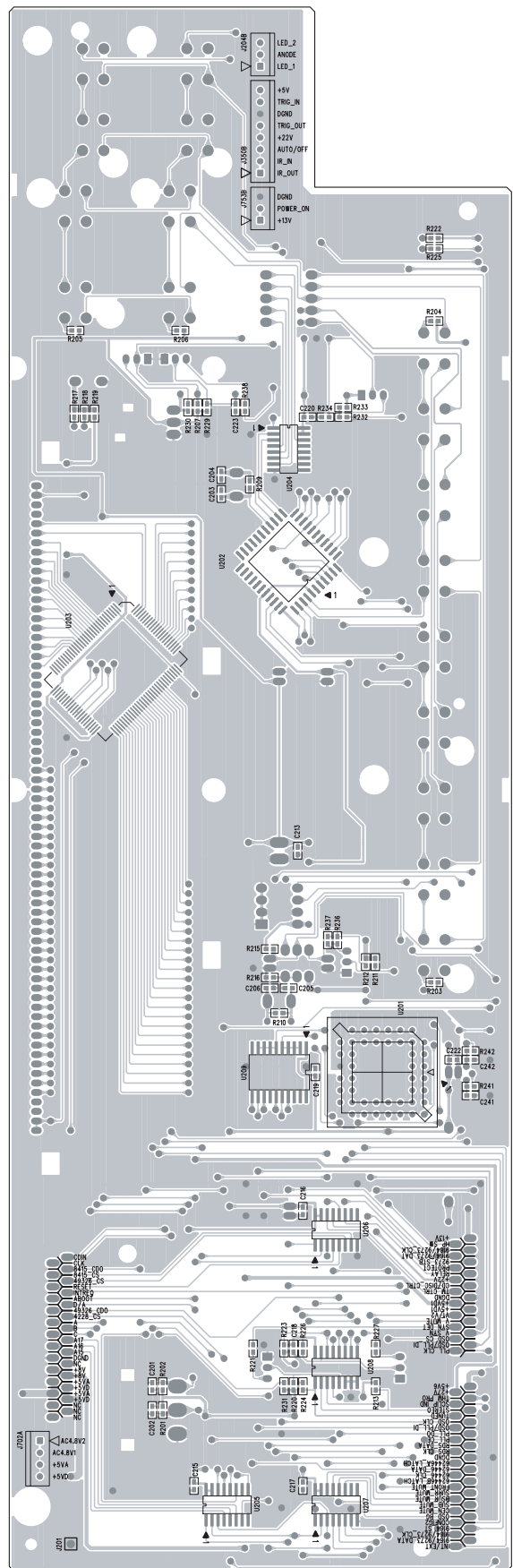


# PCB LAYOUT KEYBOARD (PN-01)

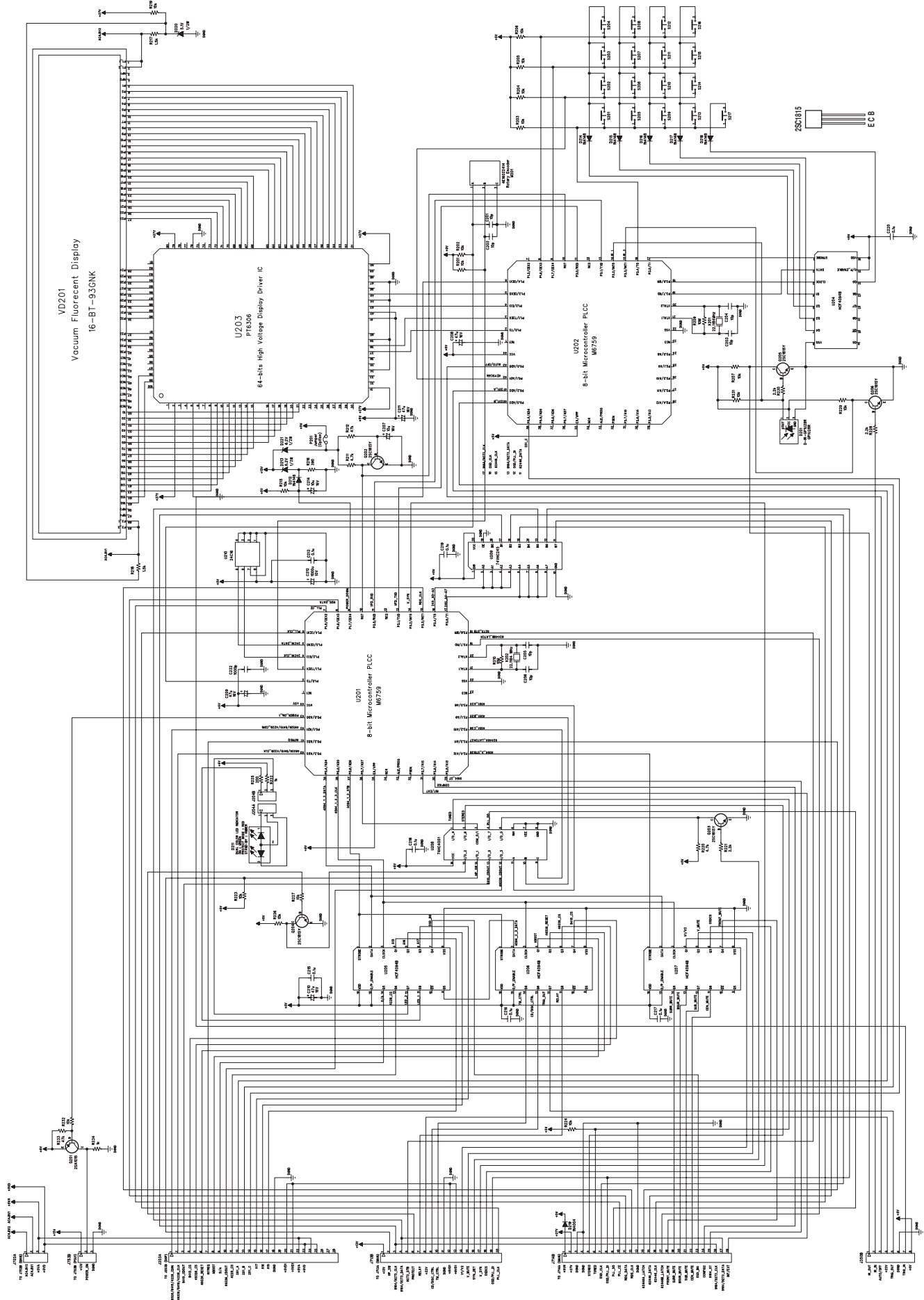
## COMPONENT SIDE



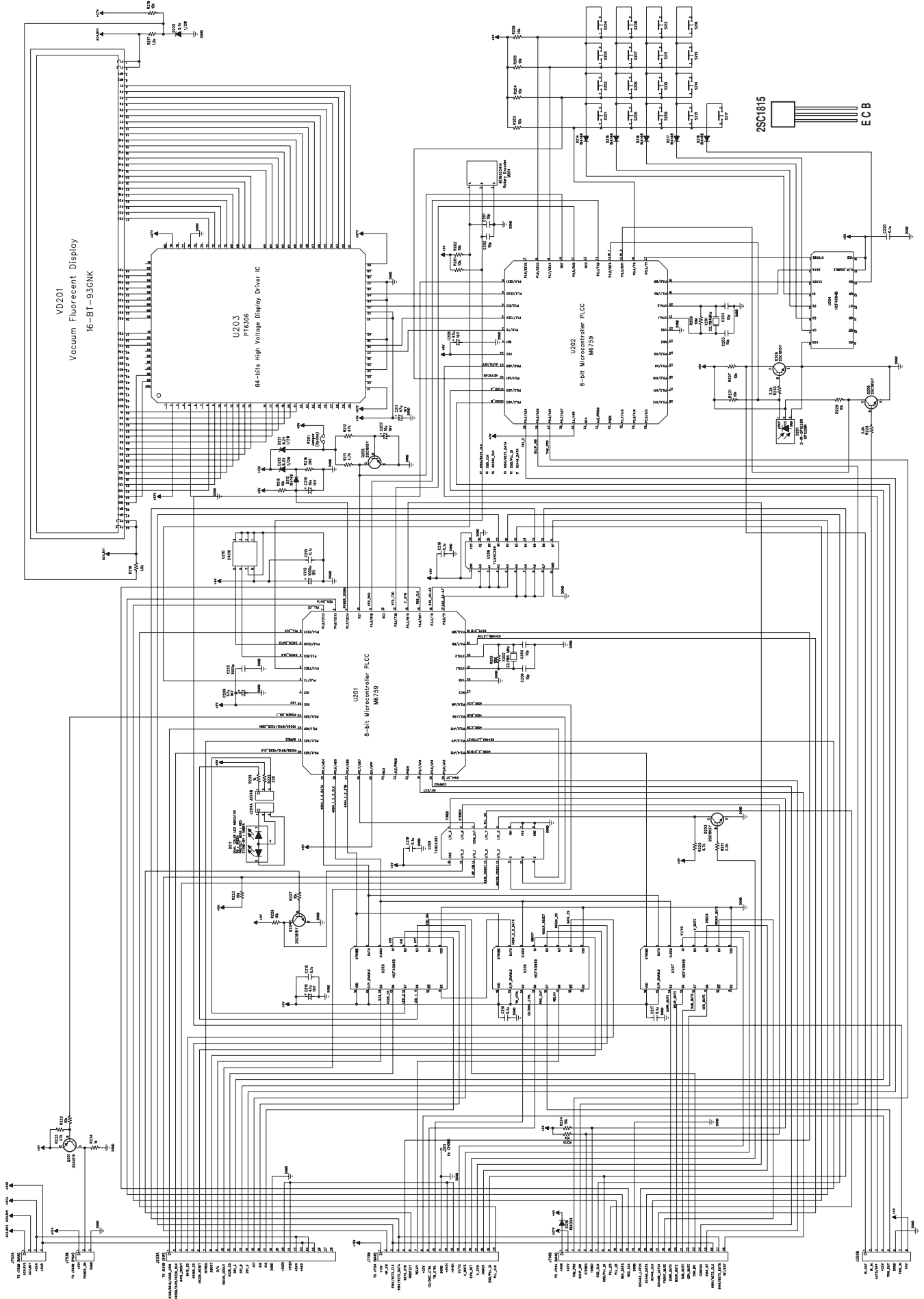
## COPPER SIDE



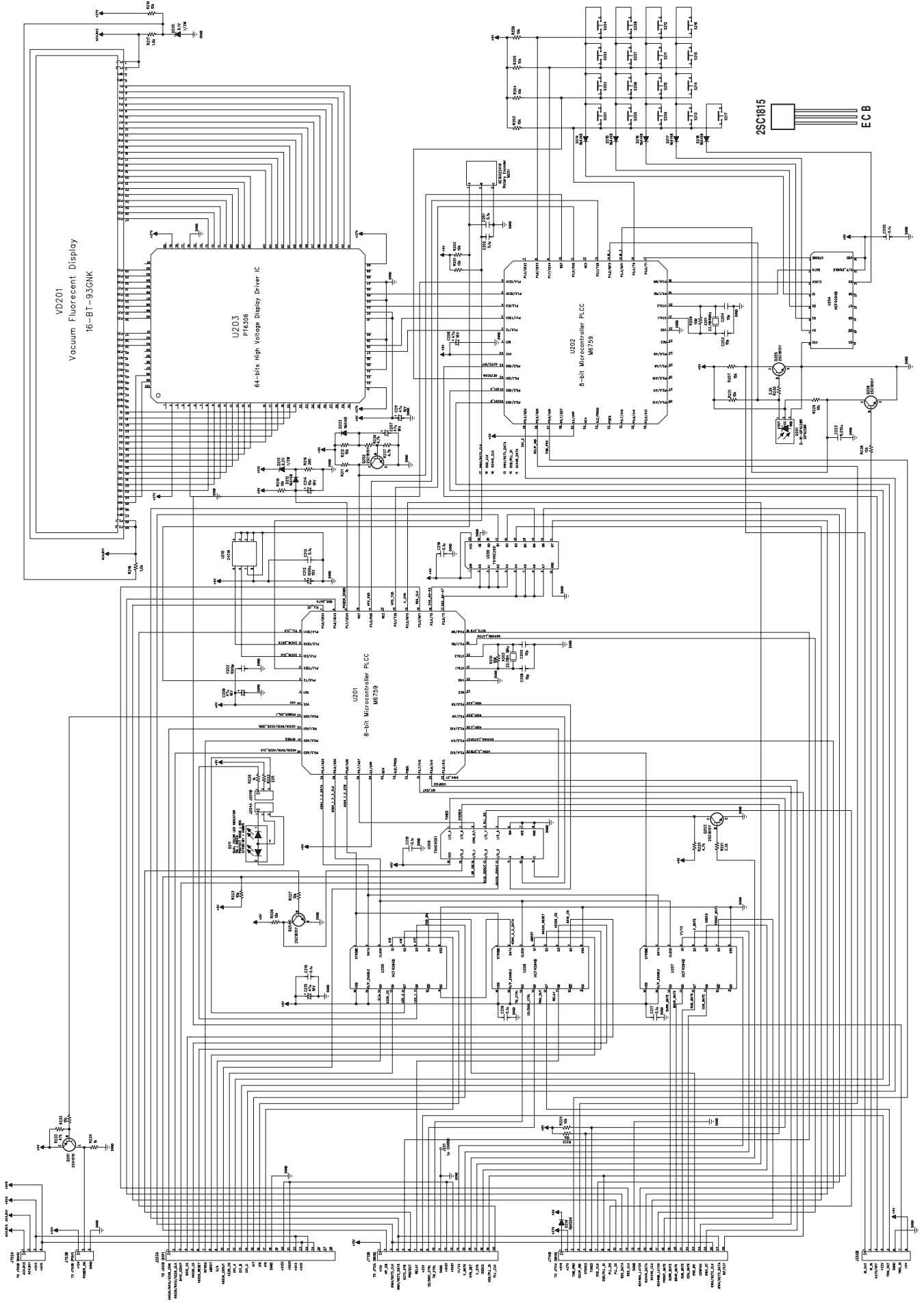
# SCHEMATIC DIAGRAM KEYBOARD (ISSUE 6)



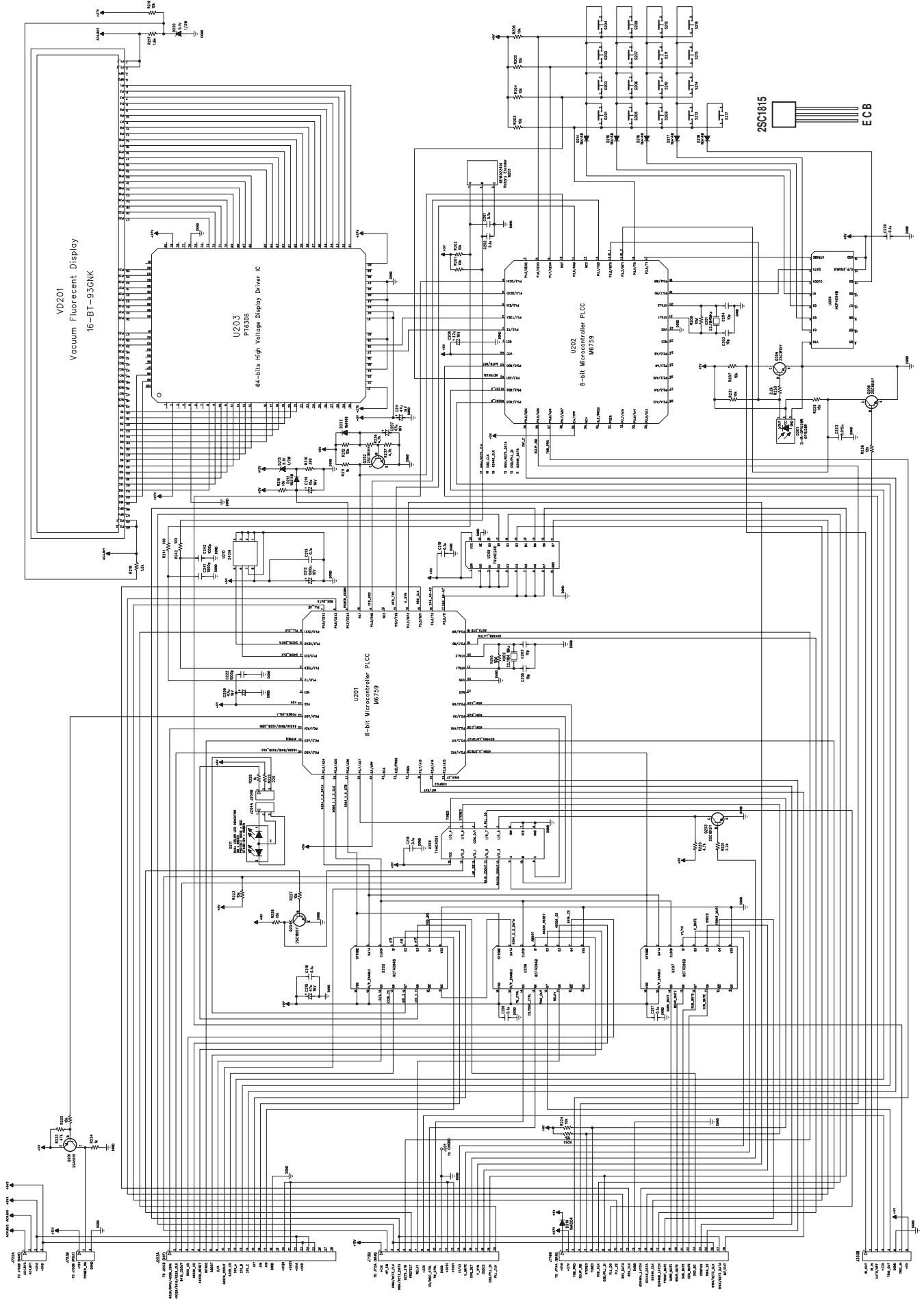
# SCHEMATIC DIAGRAM KEYBOARD (ISSUE 7)



# SCHEMATIC DIAGRAM KEYBOARD (ISSUE 8)



# SCHEMATIC DIAGRAM KEYBOARD (PN-01)





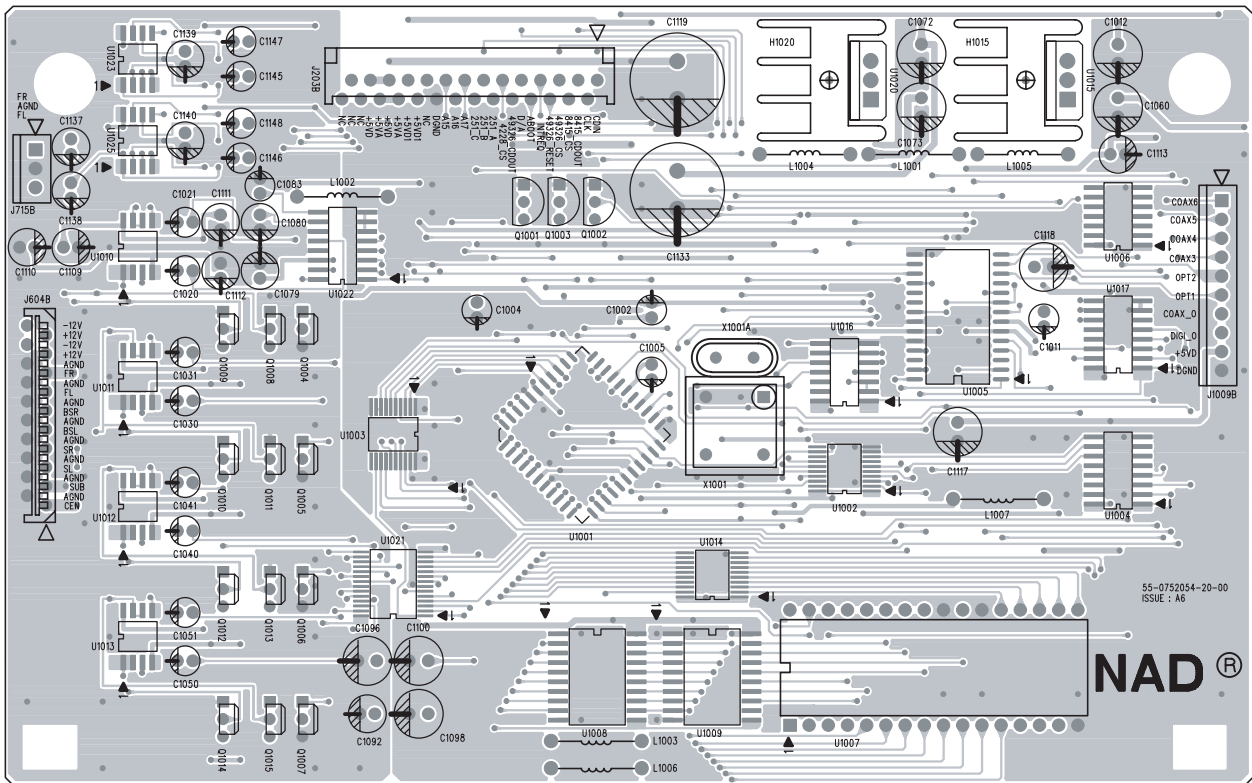
# VERSION HISTORY

## DSP BOARD

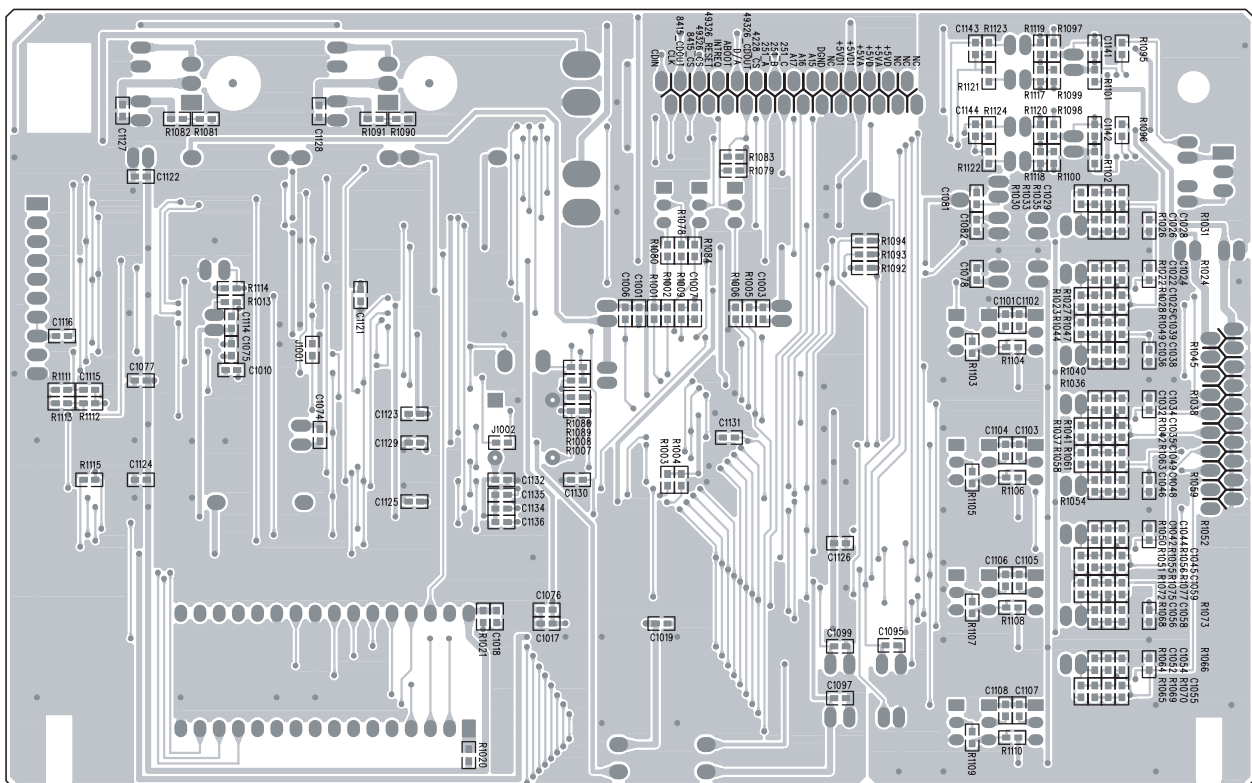
ISSUE	DESC. / PART NO.	CAUSE(S)	SERIAL NUMBER
<b>ISSUE 6</b>	DSP BOARD : 55-0752054-20-00 A6		R28T75200001-R28T75200280 R28T75200401-R28T75200481
<b>ISSUE 7</b>	DSP BOARD : 55-0752054-20-00 A7	<ul style="list-style-type: none"> <li>• No layout change</li> </ul>	R28T75200281-R28T75200400 R28T75200482-R28T75201253 R2XT75203301-R2XT75203460
<b>ISSUE 8</b>	DSP BOARD : 55-0752054-20-00 A8	<ul style="list-style-type: none"> <li>• Add RC of digital in</li> <li>• Add Diode of 8415 RST</li> </ul>	R28T75201254-R29T75202800 R2XT75202801-R2XT75203300 R2XT75203461-R2XT75203514
<b>PN-01</b>	DSP BOARD : 55-0752054-20-01	<ul style="list-style-type: none"> <li>• No layout change</li> </ul>	R2XT75203515-R2XT75204550 R2YT75204551-R2YT75205594 R2YT75207629-R2YT75207685 R2ZT75205595-R2ZT75206600 R31T75206601-R31T75207100 R32T75207101-R32T75207600 R33T75207601-R33T75207727 R34T75207728-R34T75209227 R37T75209228-R37T75210377 R38T75210378-R38T75210667
<b>PN-02</b>	DSP BOARD : 55-0752054-20-02	<ul style="list-style-type: none"> <li>• No layout change</li> </ul>	

# PCB LAYOUT DSP BOARD (ISSUE 6)

## COMPONENT SIDE

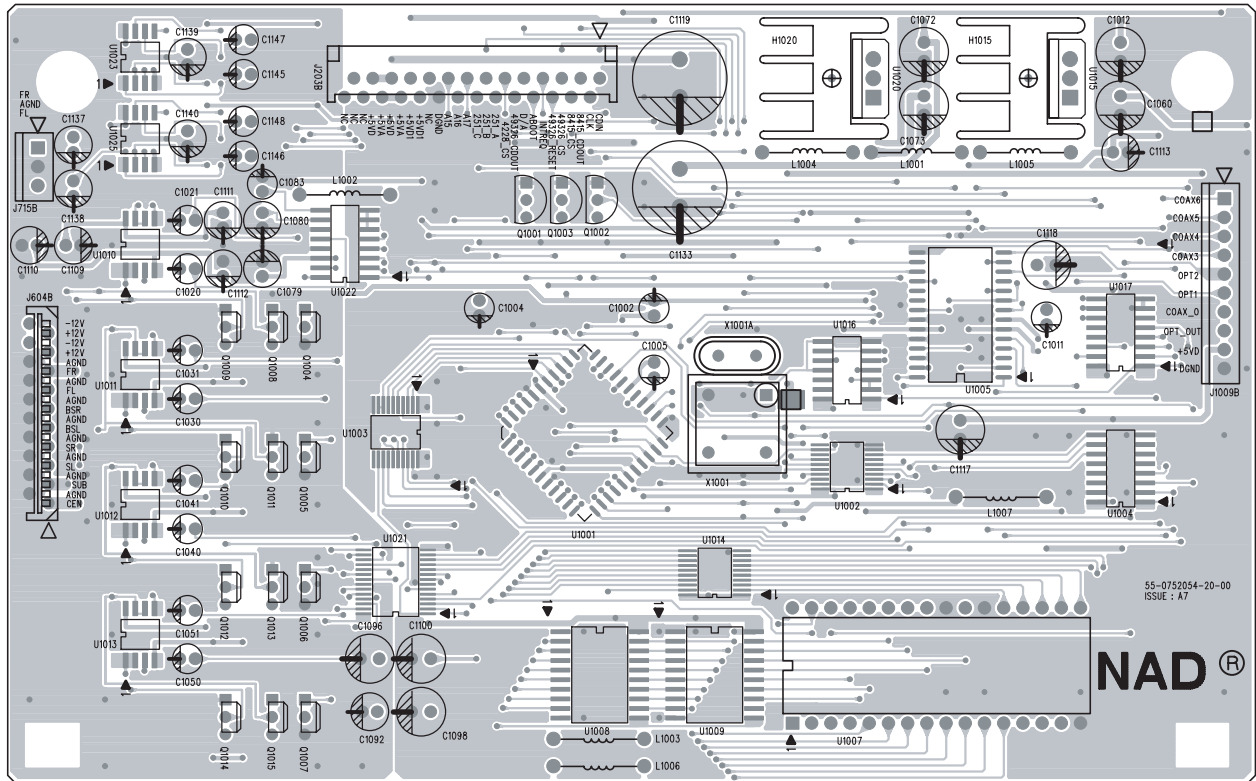


## COPPER SIDE

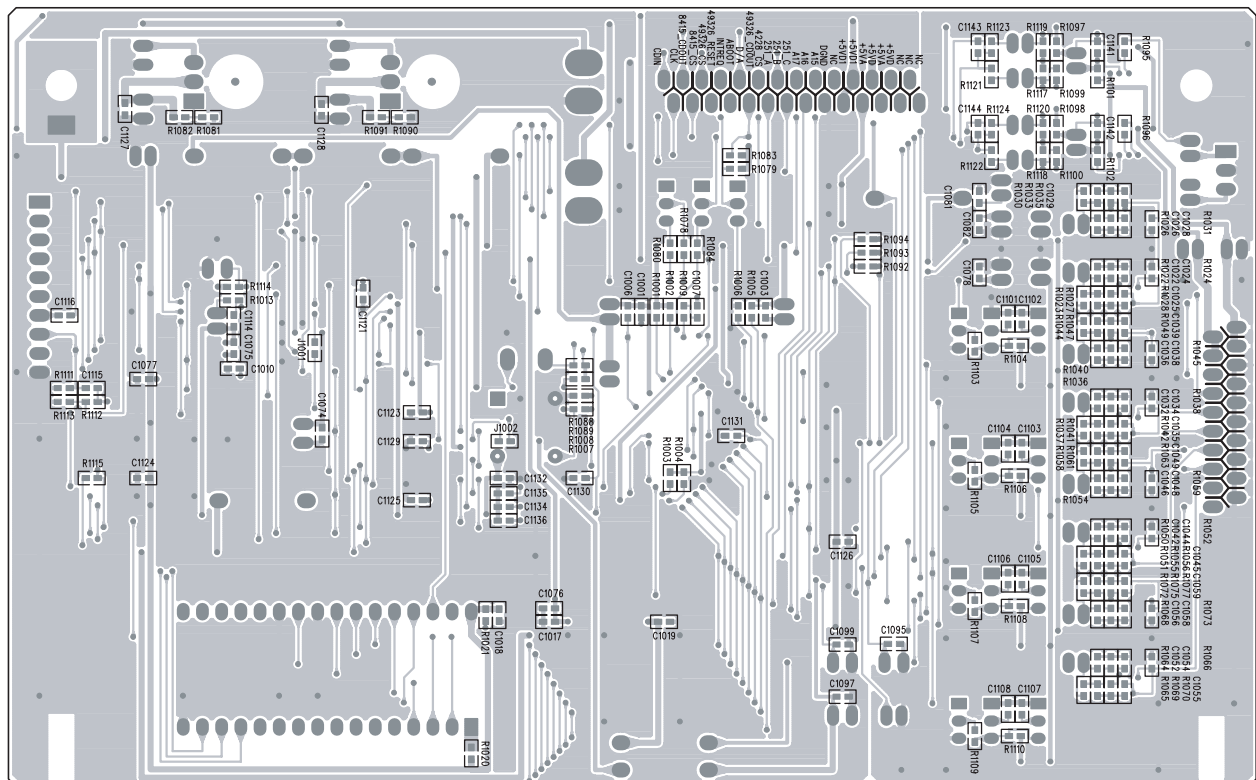


# PCB LAYOUT DSP BOARD (ISSUE 7)

## COMPONENT SIDE

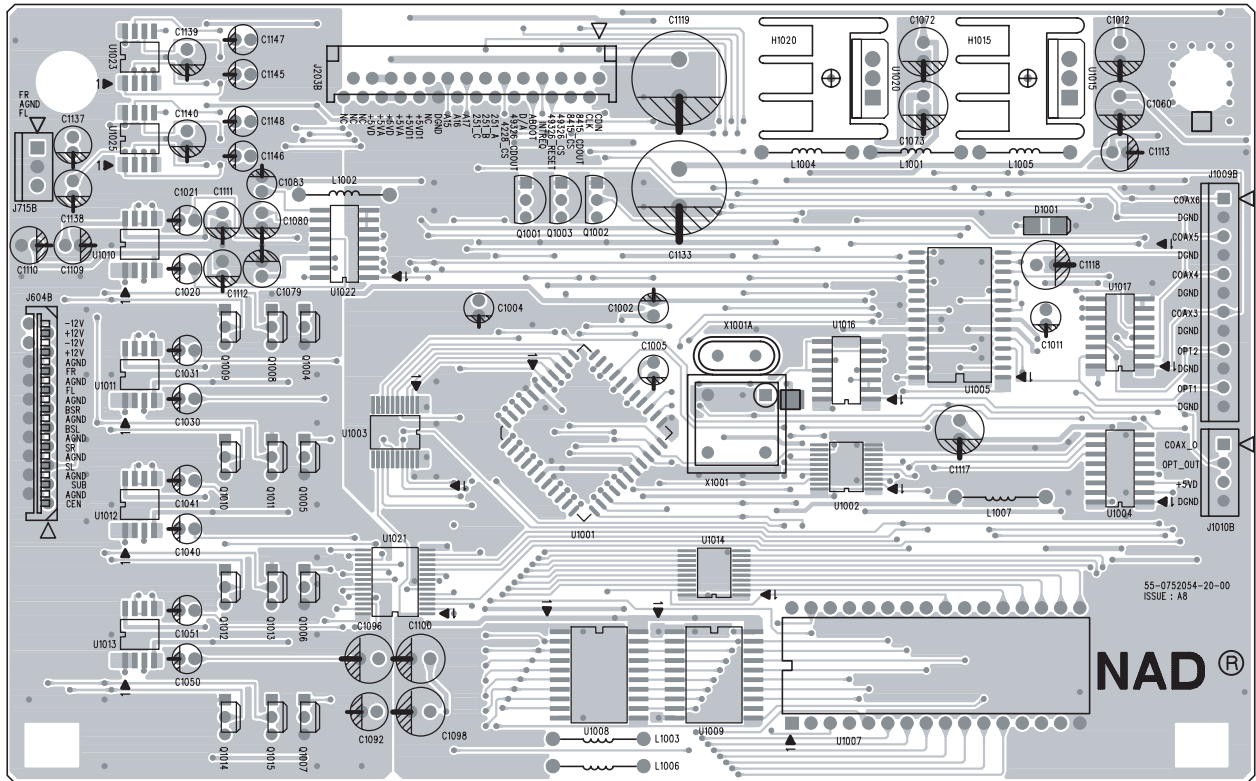


## COPPER SIDE

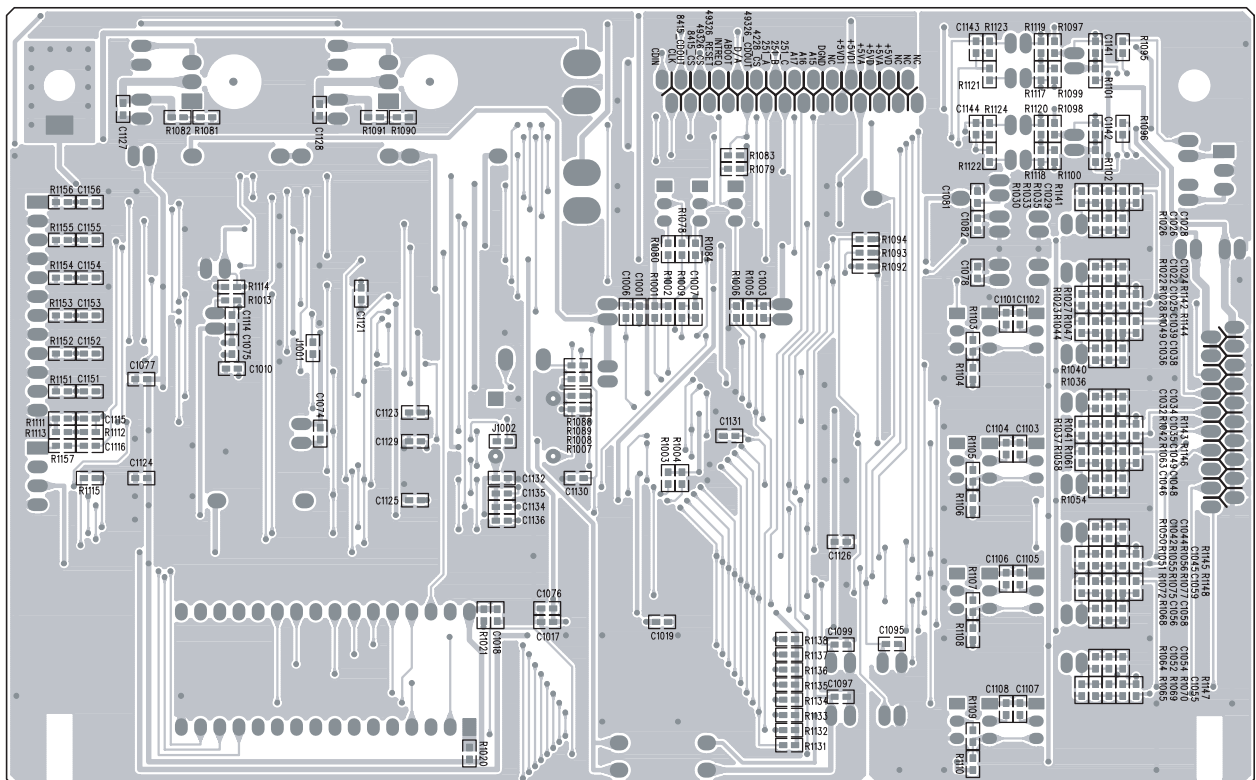


# PCB LAYOUT DSP BOARD (ISSUE 8)

## COMPONENT SIDE

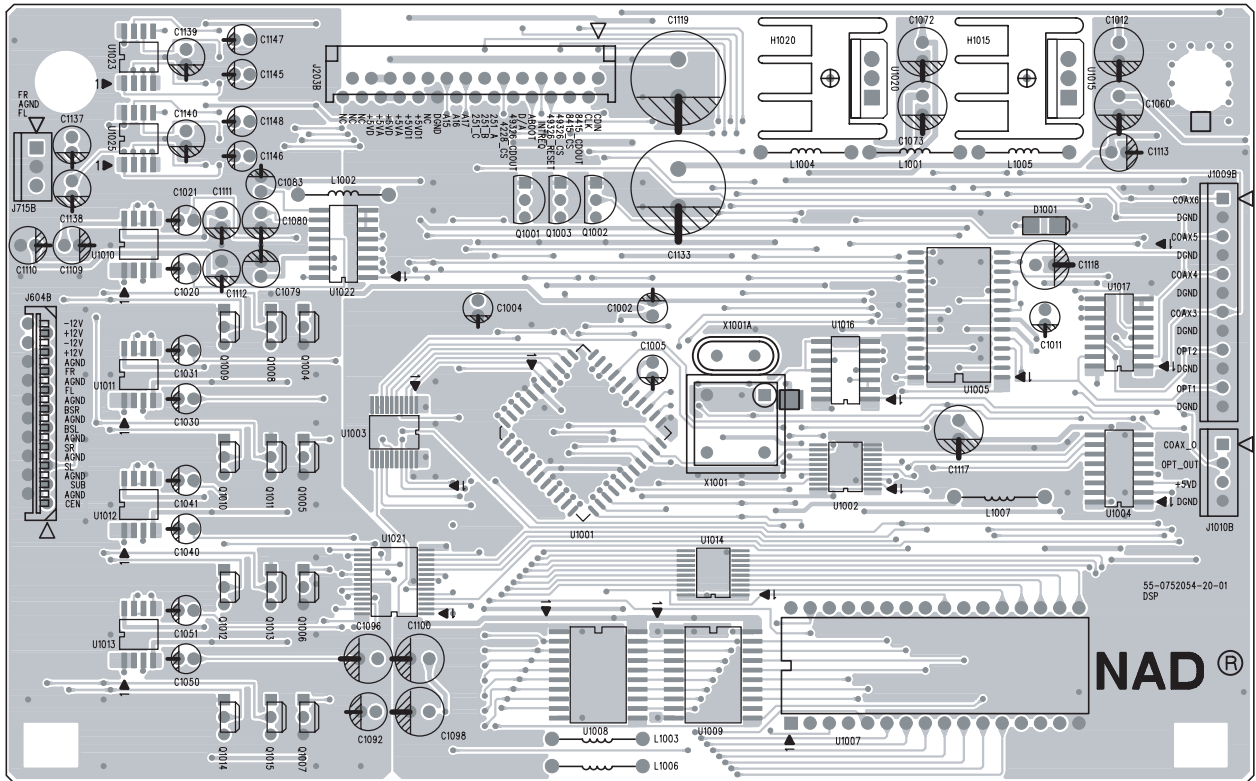


## COPPER SIDE

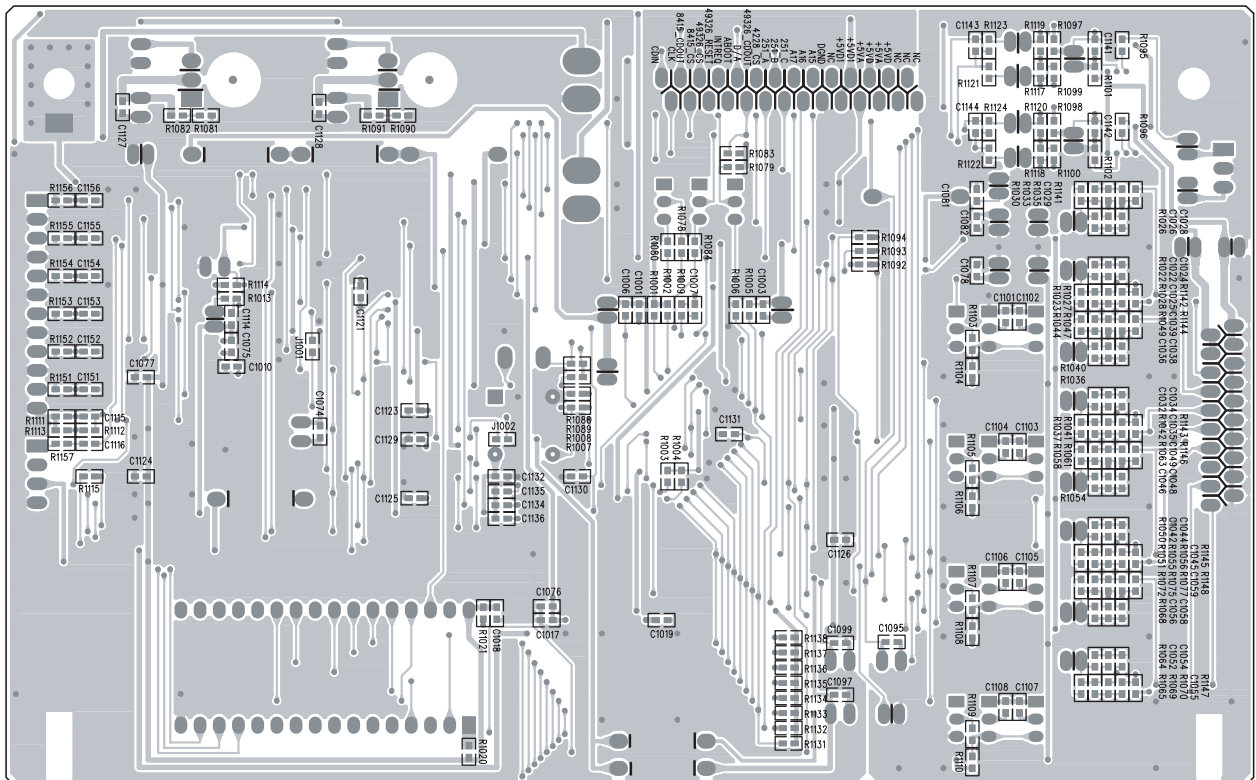


# PCB LAYOUT DSP BOARD (PN-01)

## COMPONENT SIDE

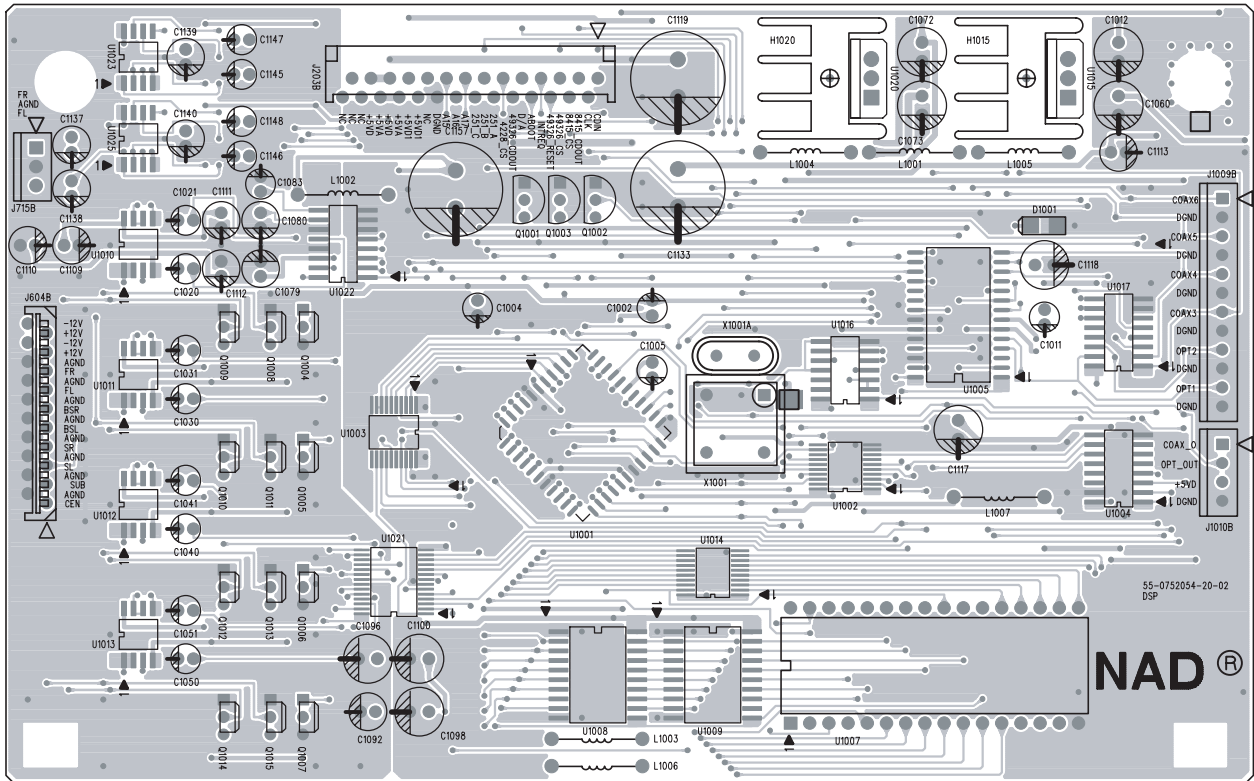


## COPPER SIDE

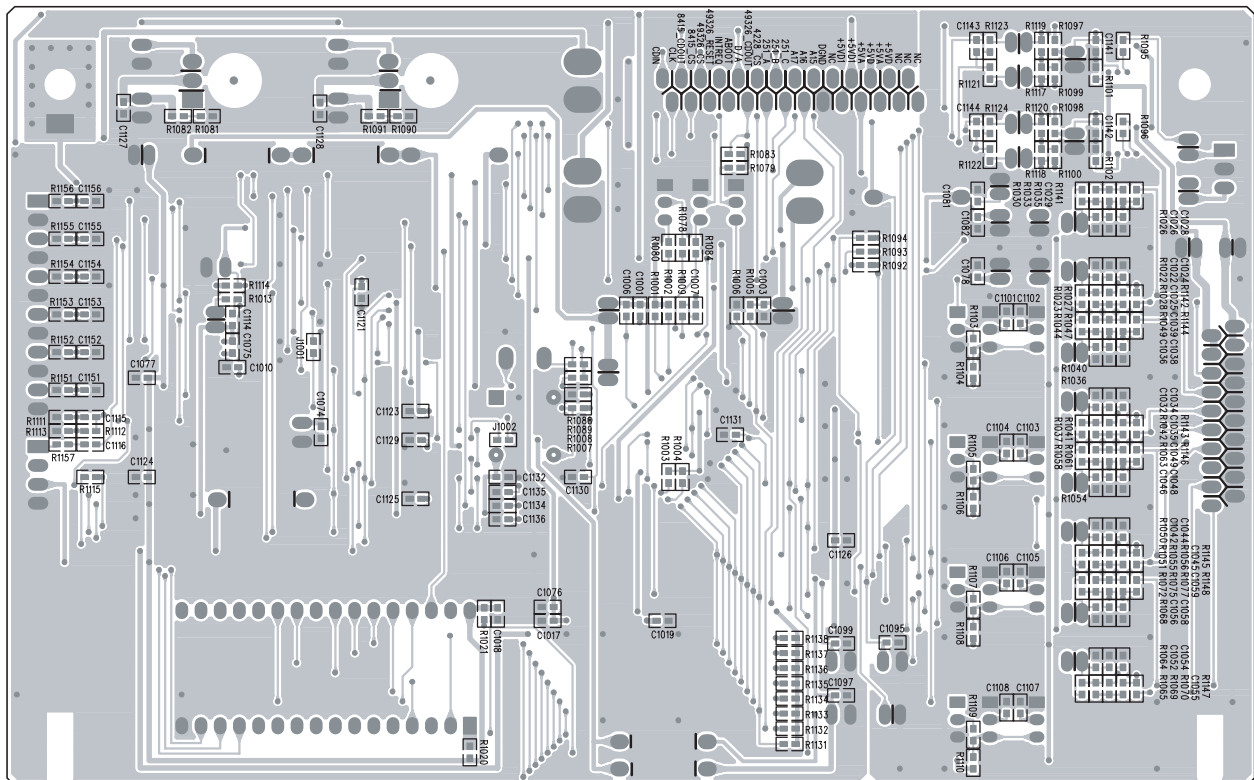


# PCB LAYOUT DSP BOARD (PN-02)

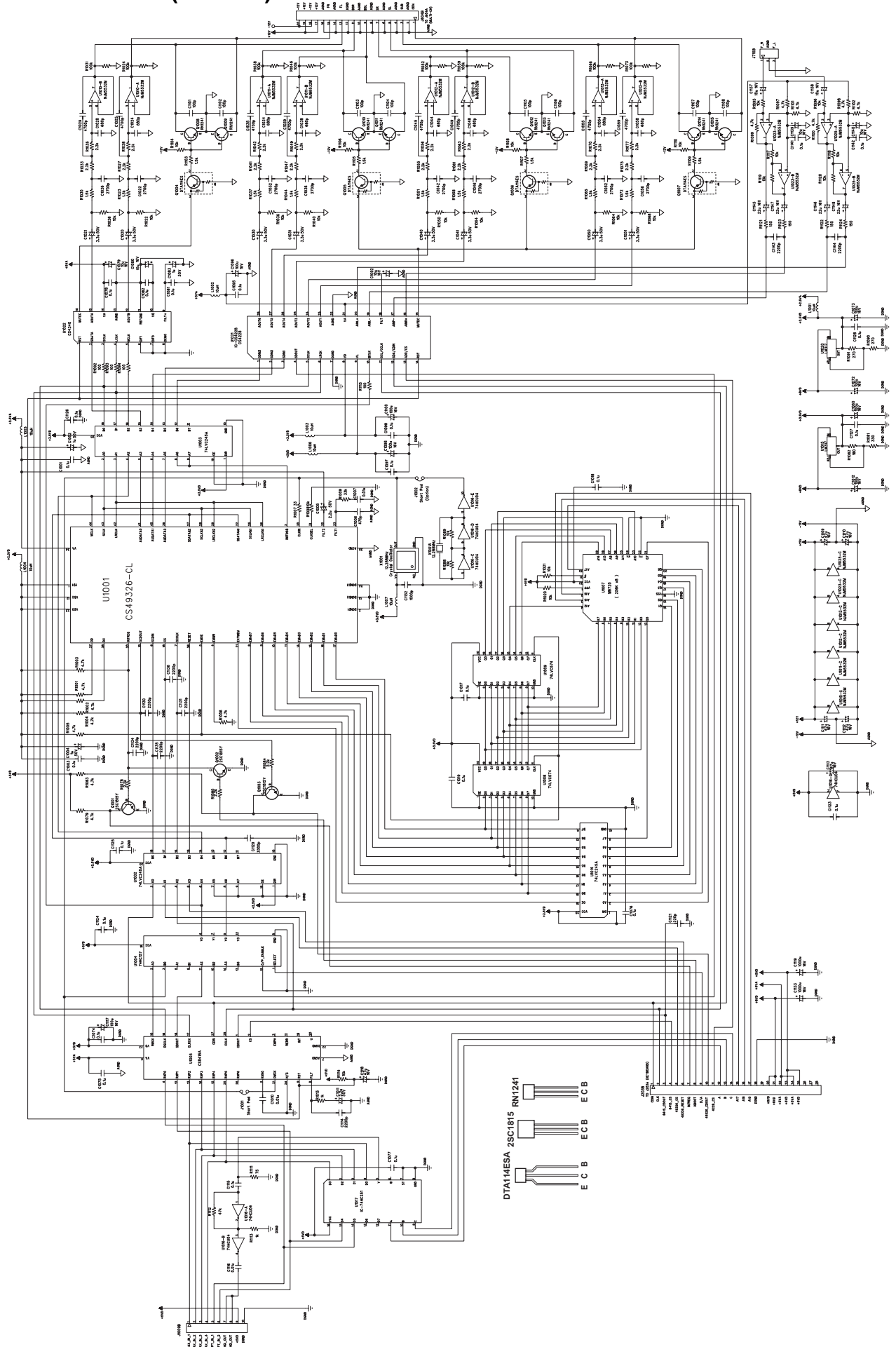
## COMPONENT SIDE



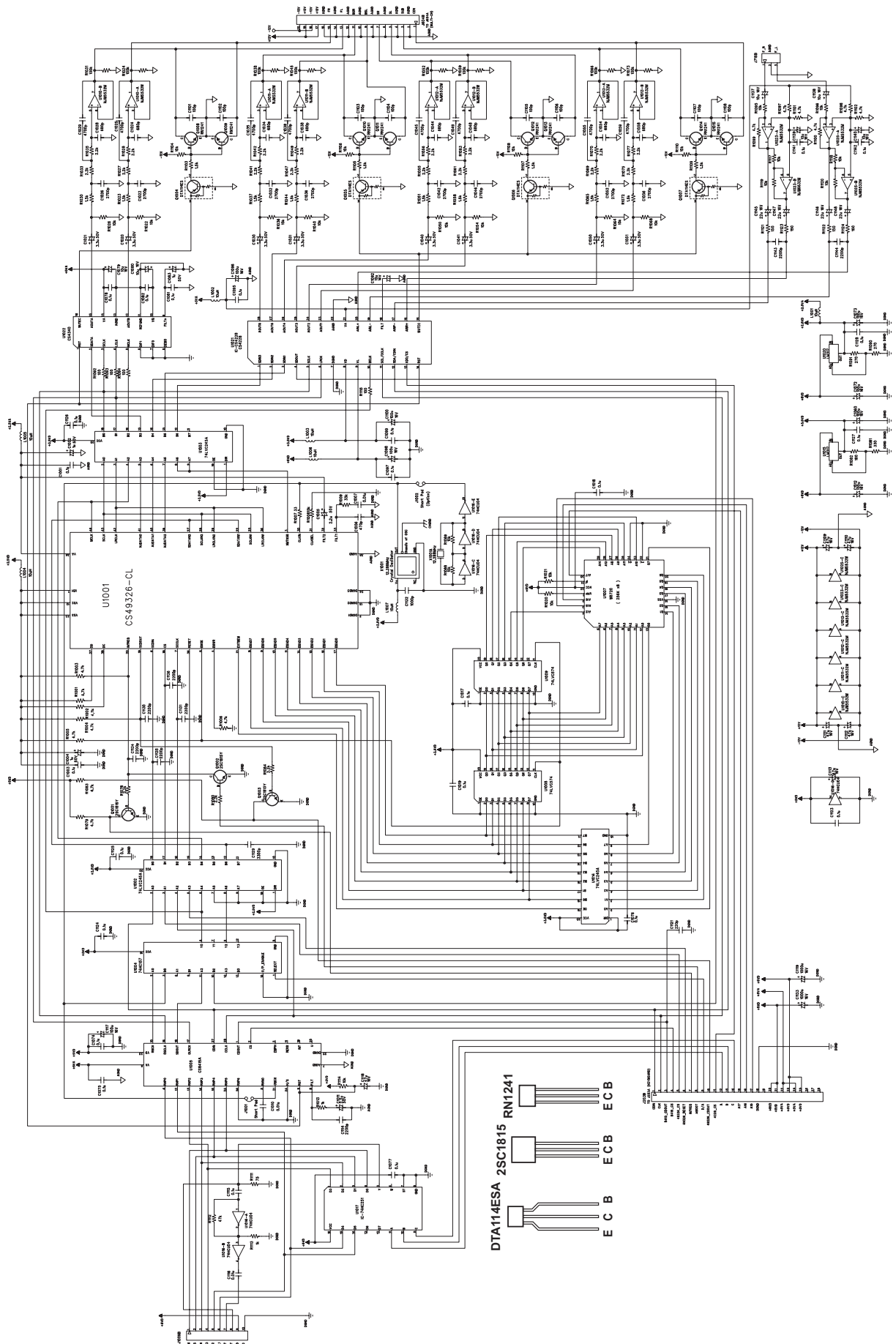
## COPPER SIDE



# SCHEMATIC DIAGRAM DSP BOARD (ISSUE 6)

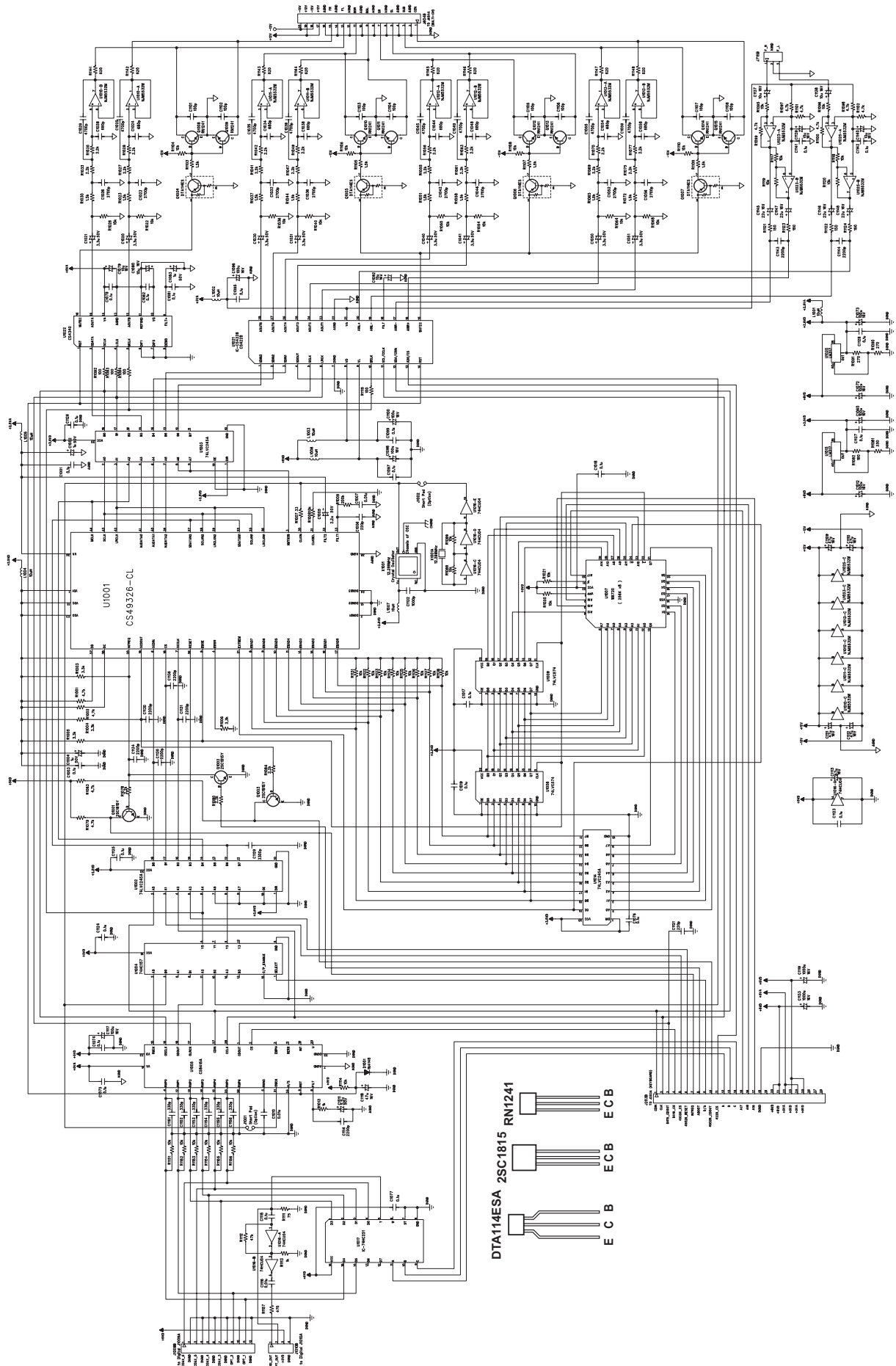


# SCHEMATIC DIAGRAM DSP BOARD (ISSUE 7)

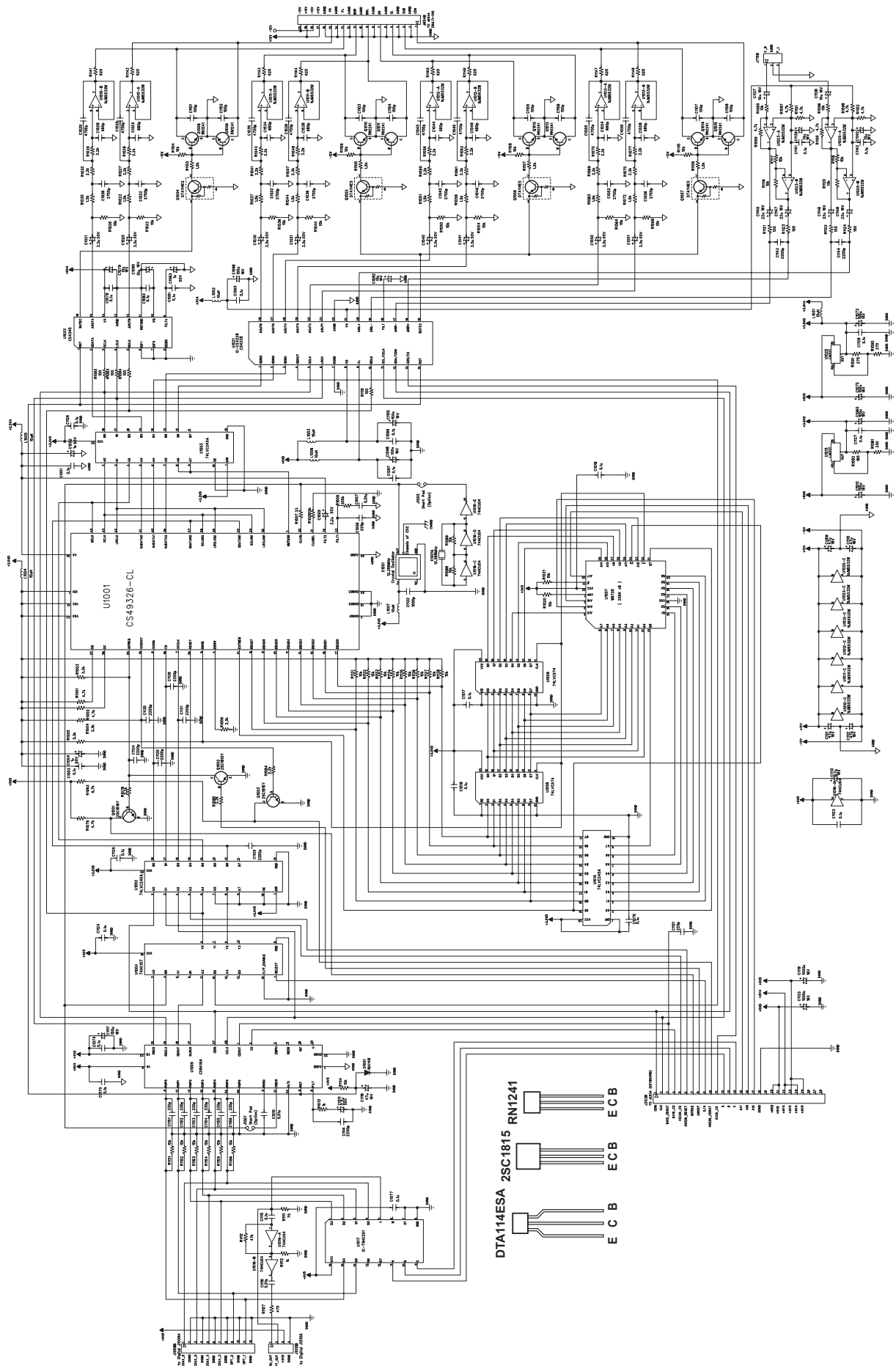




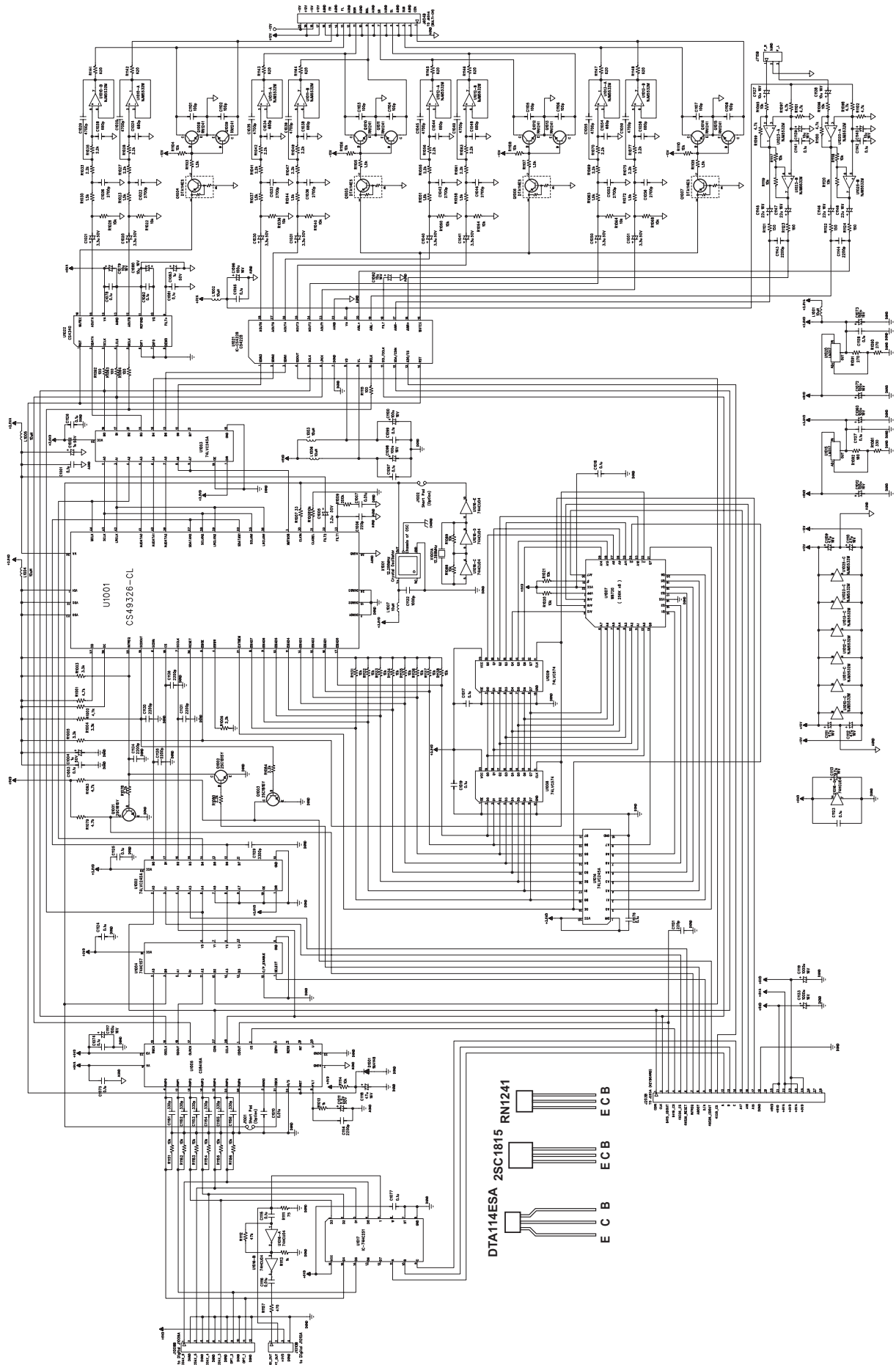
# SCHEMATIC DIAGRAM DSP BOARD (ISSUE 8)



# SCHEMATIC DIAGRAM DSP BOARD (PN-01)



# SCHEMATIC DIAGRAM DSP BOARD (PN-02)



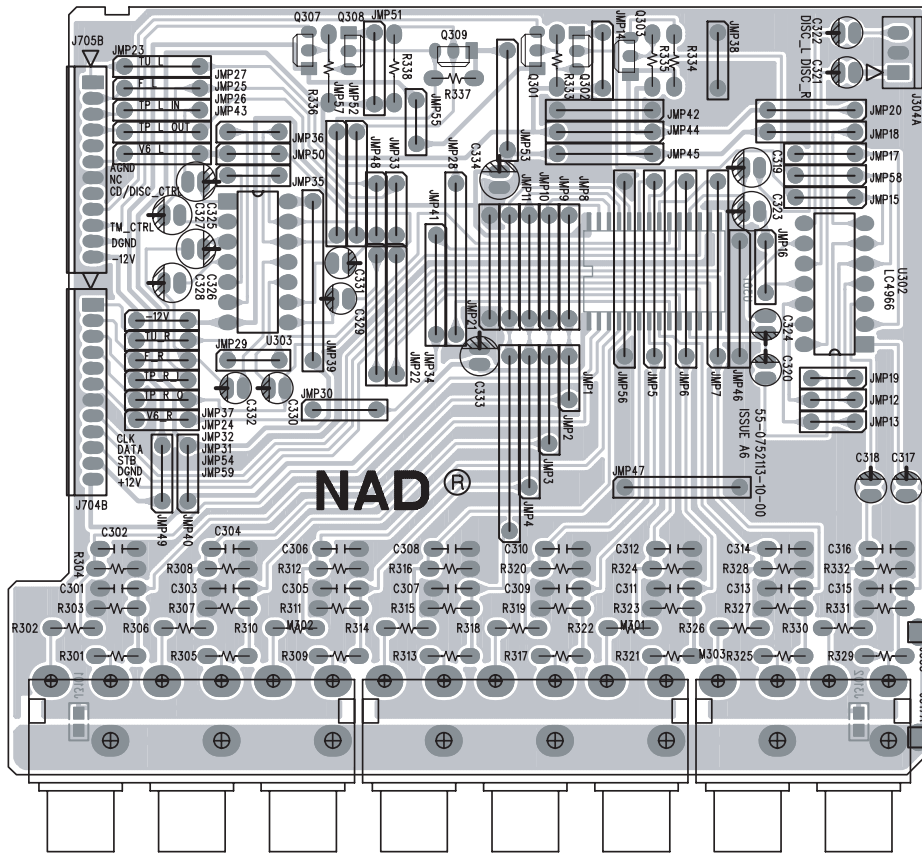
# VERSION HISTORY

## AUDIO BOARD

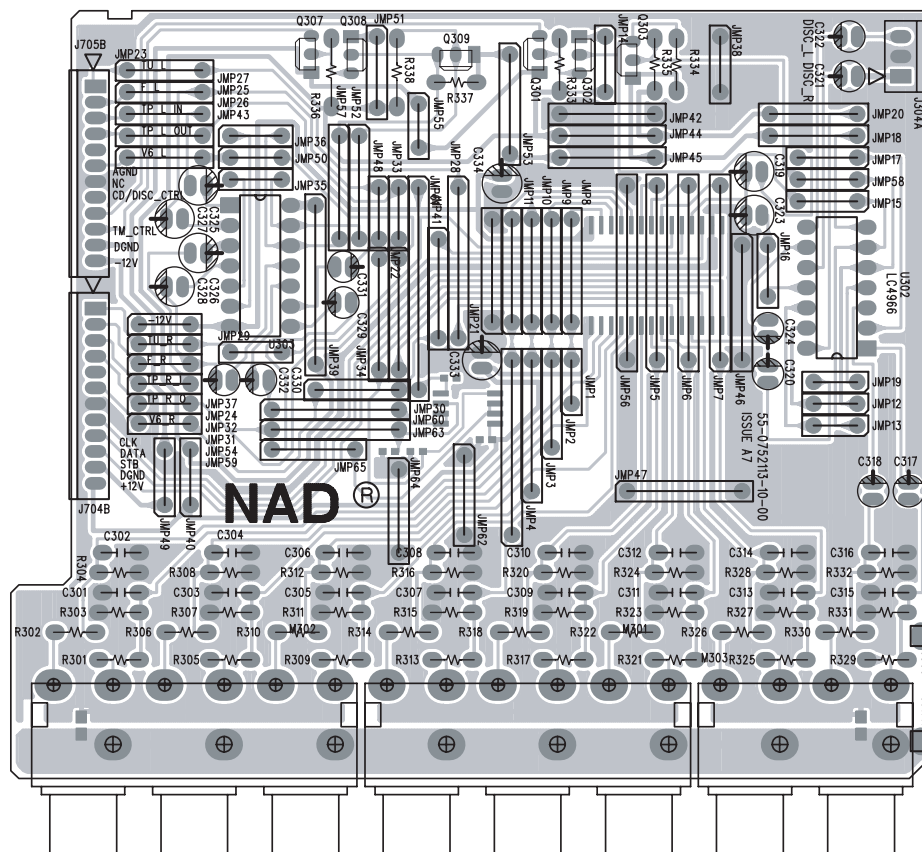
ISSUE	DESC. / PART NO.	CAUSE(S)	SERIAL NUMBER
<b>ISSUE 6</b>	AUDIO BOARD : 55-0752113-10-00 A6		R28T75200001-R28T75200280 R28T75200401-R28T75200481
<b>ISSUE 7</b>	AUDIO BOARD : 55-0752113-10-00 A7	<ul style="list-style-type: none"> <li>• Add Oamp for Tape Out</li> </ul>	R28T75200281-R28T75200400 R28T75200482-R28T75201253 R2XT75203301-R2XT75203460
<b>ISSUE 8</b>	AUDIO BOARD : 55-0752113-10-00 A8	<ul style="list-style-type: none"> <li>• No layout change</li> </ul>	R28T75201254-R29T75202800 R2XT75202801-R2XT75203300 R2XT75203461-R2XT75203514
<b>PN-01</b>	AUDIO BOARD : 55-0752113-10-01	<ul style="list-style-type: none"> <li>• No layout change</li> </ul>	R2XT75203515-R2XT75204550 R2YT75204551-R2YT75205594 R2YT75207629-R2YT75207685 R2ZT75205595-R2ZT75206600 R31T75206601-R31T75207100 R32T75207101-R32T75207600 R33T75207601-R33T75207727 R34T75207728-R34T75209227 R37T75209228-R37T75210377 R38T75210378-R38T75210667
<b>PN-02</b>	AUDIO BOARD : 55-0752113-10-02	<ul style="list-style-type: none"> <li>• No layout change</li> </ul>	
<b>PN-03</b>	AUDIO BOARD : 55-0752113-10-03	<ul style="list-style-type: none"> <li>• No layout change</li> </ul>	

# PCB LAYOUT

## AUDIO BOARD (ISSUE 6)

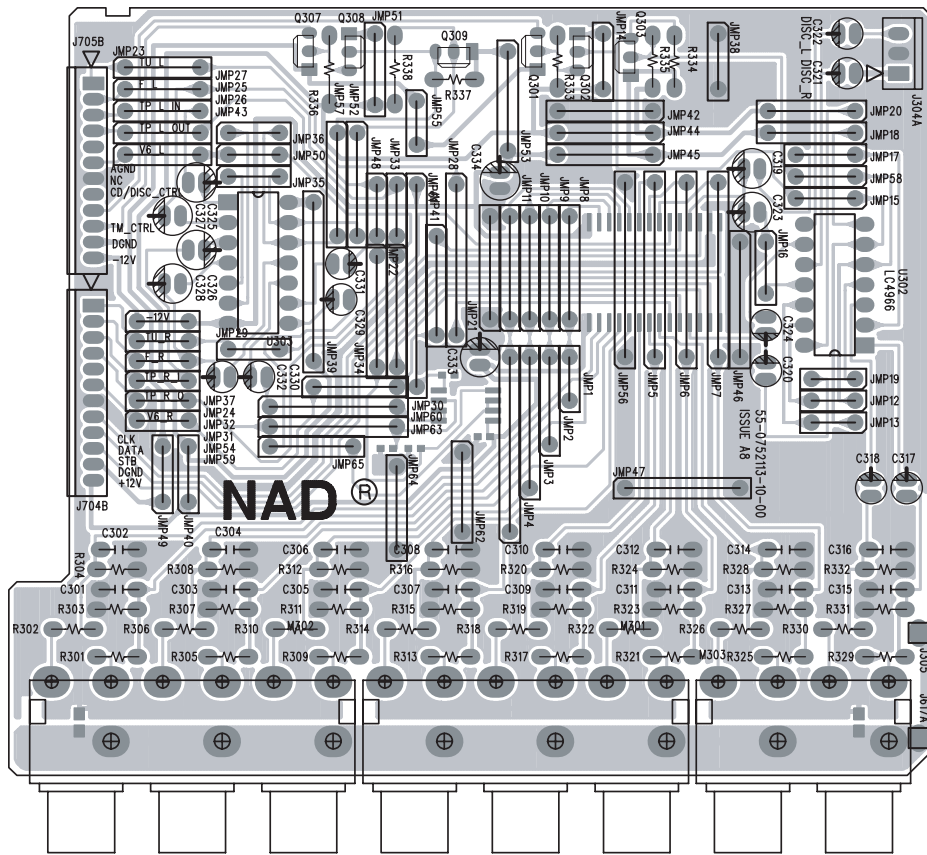


# AUDIO BOARD (ISSUE 7)

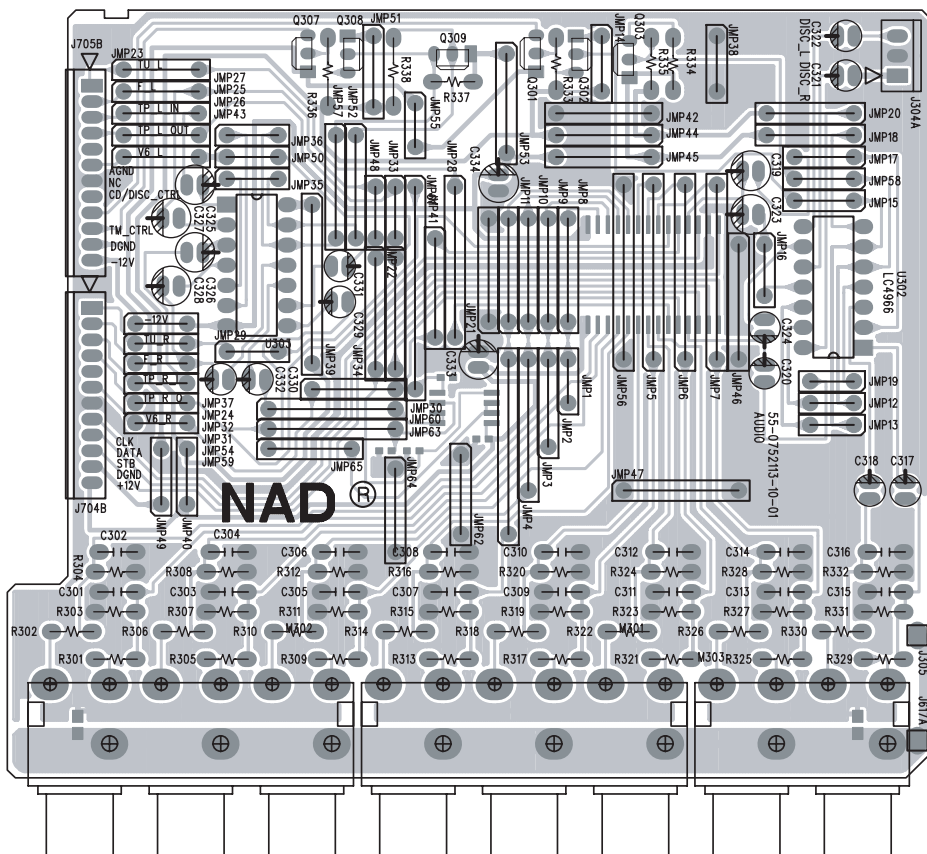


# PCB LAYOUT

## AUDIO BOARD (ISSUE 8)

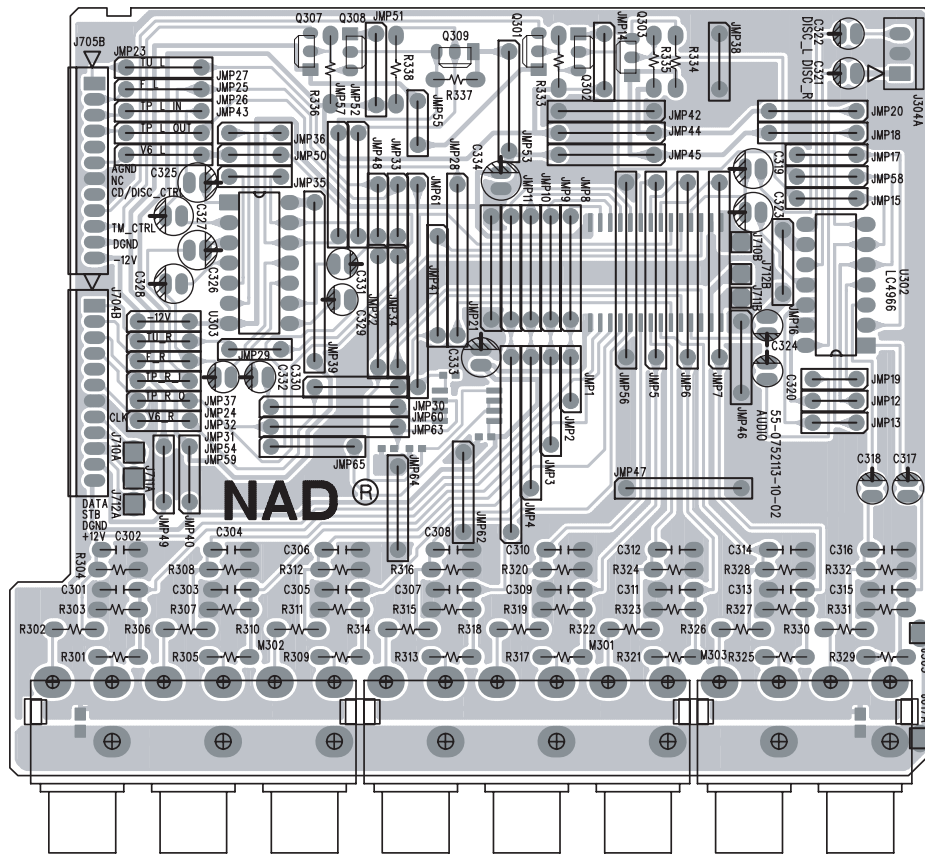


# AUDIO BOARD (PN-01)

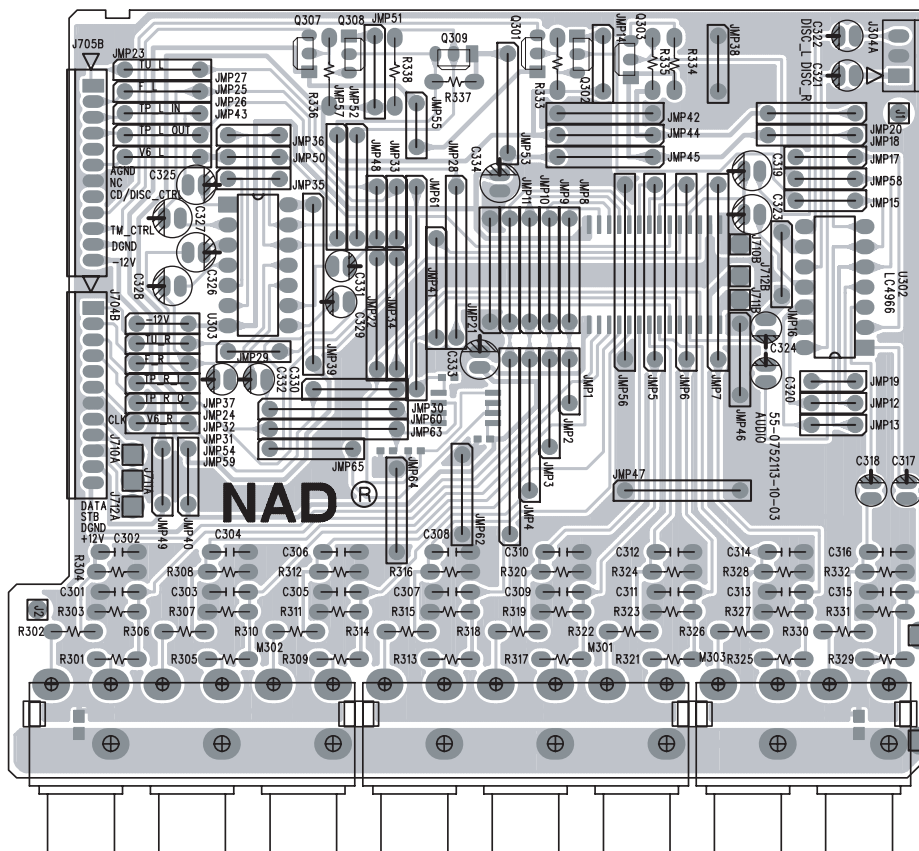


# PCB LAYOUT

## AUDIO BOARD (PN-02)

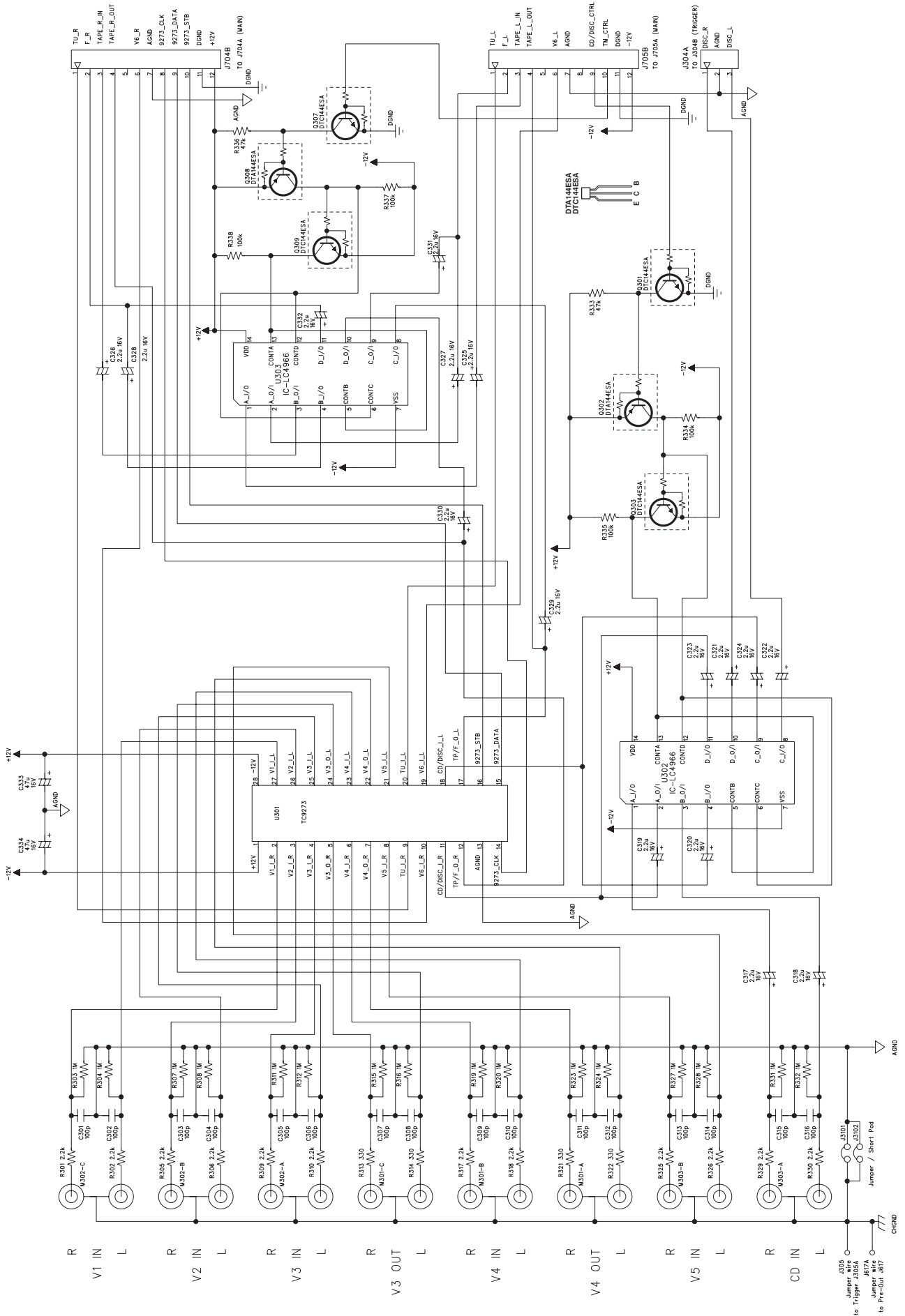


# AUDIO BOARD (PN-03)



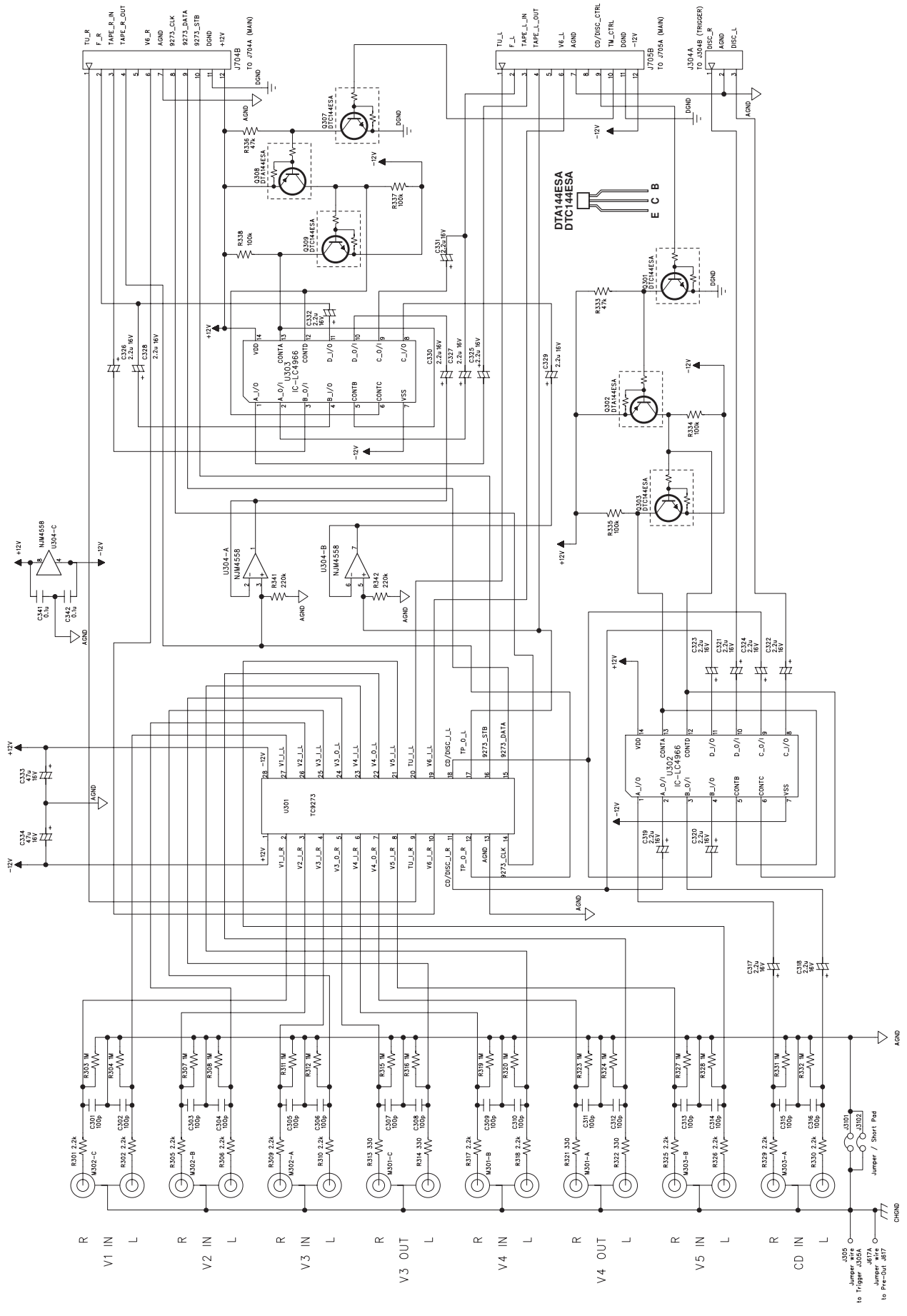
# SCHEMATIC DIAGRAM

## AUDIO BOARD (ISSUE 6)

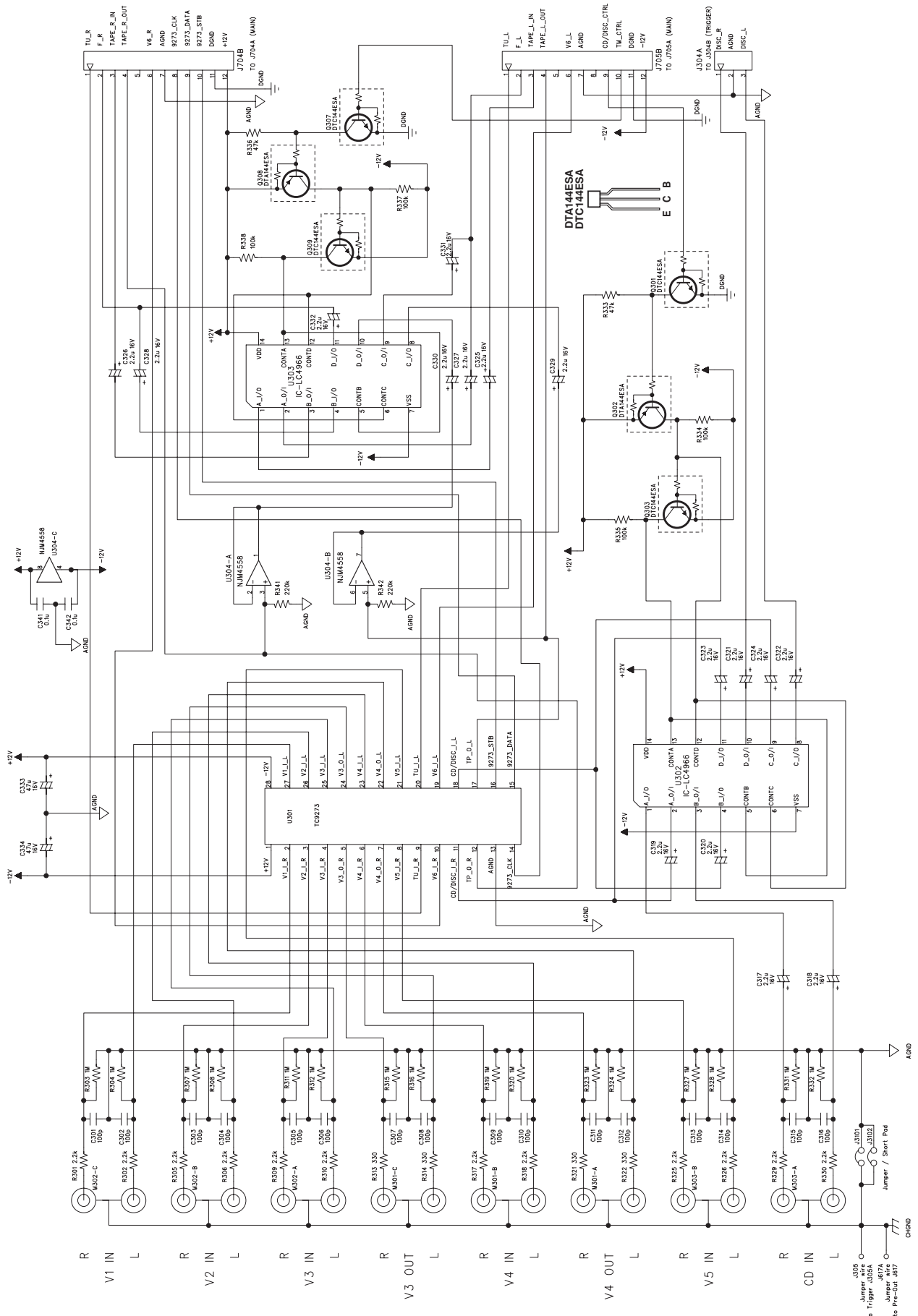




# SCHEMATIC DIAGRAM AUDIO BOARD (ISSUE 7)

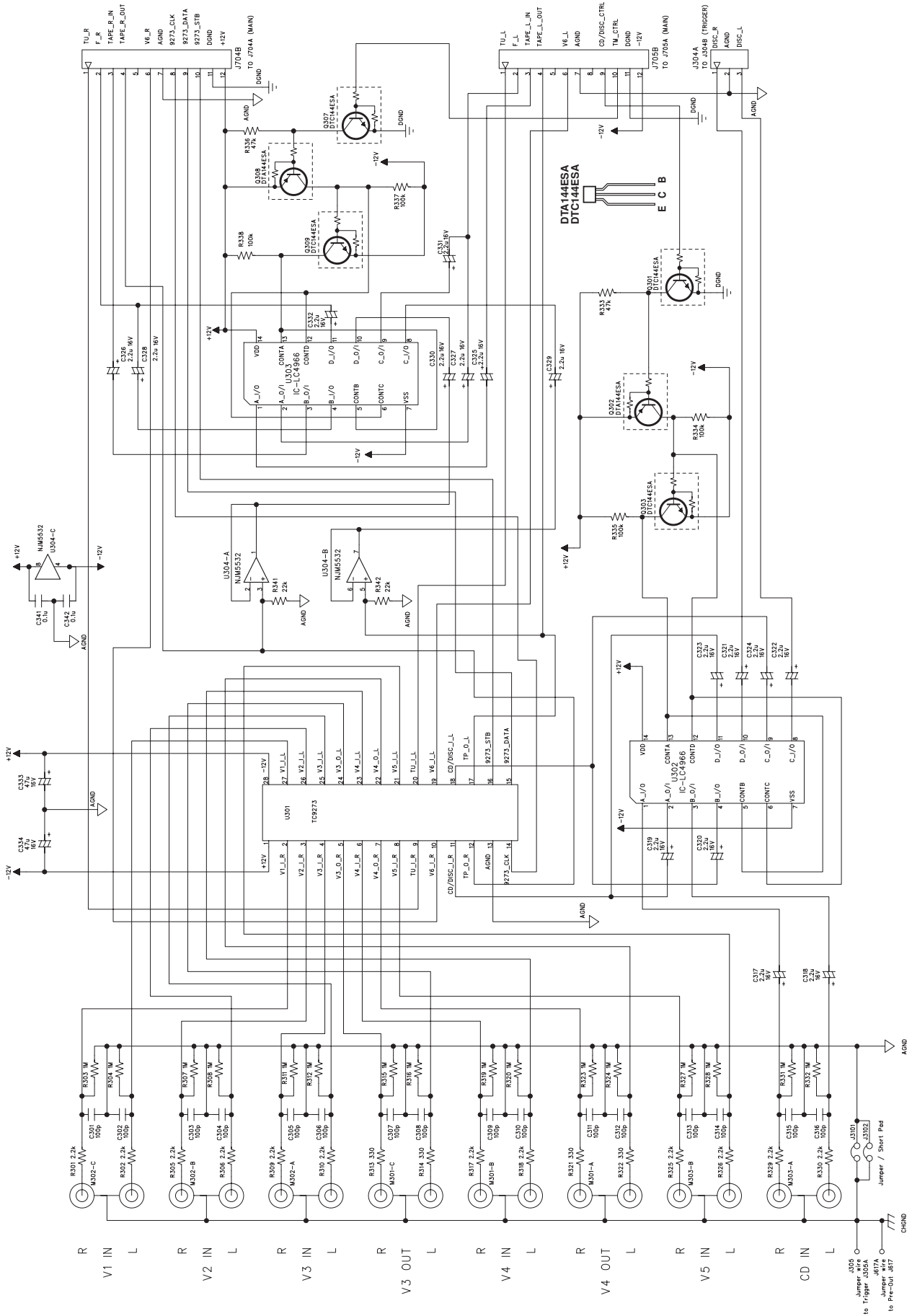


# SCHEMATIC DIAGRAM AUDIO BOARD (ISSUE 8)



# SCHEMATIC DIAGRAM

## AUDIO BOARD (PN-01 - PN-03)



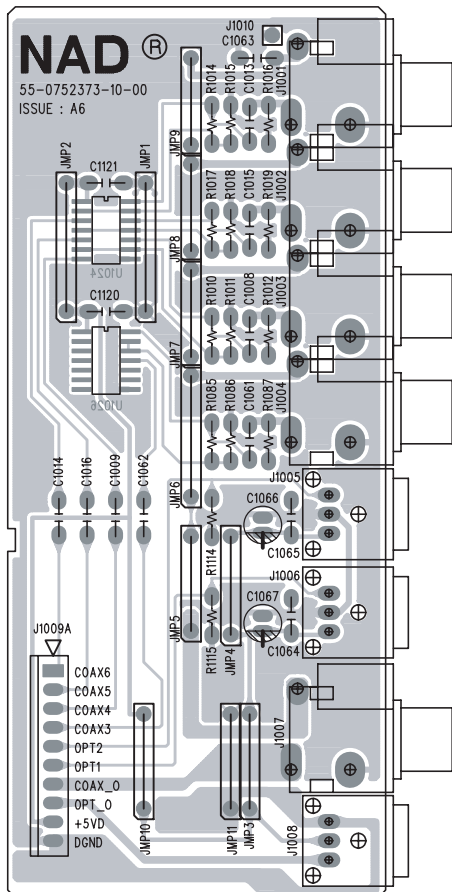
# VERSION HISTORY

## DIGITAL IN / OUT BOARD

ISSUE	DESC. / PART NO.	CAUSE(S)	SERIAL NUMBER
<b>ISSUE 6</b>	DIGITAL I/O BOARD : 55-0752373-10-00 A6		R28T75200001-R28T75200280 R28T75200401-R28T75200481
<b>ISSUE 7</b>	DIGITAL I/O BOARD : 55-0752373-10-00 A7	<ul style="list-style-type: none"> <li>• Add resistor of DIGITAL IN 4</li> </ul>	R28T75200281-R28T75200400 R28T75200482-R28T75201253 R2XT75203301-R2XT75203460
<b>ISSUE 8</b>	AUDIO BOARD : 55-0752373-10-00 A8	<ul style="list-style-type: none"> <li>• No layout change</li> </ul>	R28T75201254-R29T75202800 R2XT75202801-R2XT75203300 R2XT75203461-R2XT75203514
<b>PN-01</b>	AUDIO BOARD : 55-0752373-10-01	<ul style="list-style-type: none"> <li>• No layout change</li> </ul>	R2XT75203515-R2XT75204550 R2YT75204551-R2YT75205594 R2YT75207629-R2YT75207685 R2ZT75205595-R2ZT75206600 R31T75206601-R31T75207100 R32T75207101-R32T75207600 R33T75207601-R33T75207727 R34T75207728-R34T75209227 R37T75209228-R37T75210377 R38T75210378-R38T75210667
<b>PN-02</b>	AUDIO BOARD : 55-075373-10-02	<ul style="list-style-type: none"> <li>• No layout change</li> </ul>	

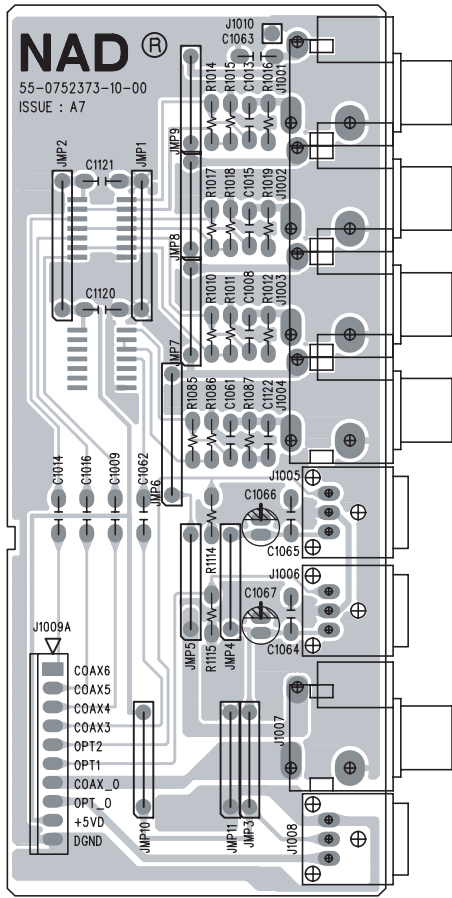
## PCB LAYOUT

### DIGITAL IN / OUT BOARD (ISSUE 6)

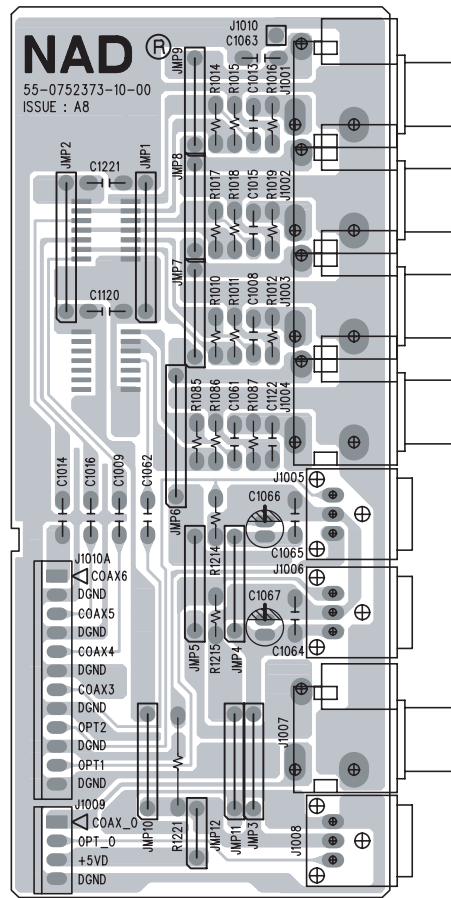


# PCB LAYOUT

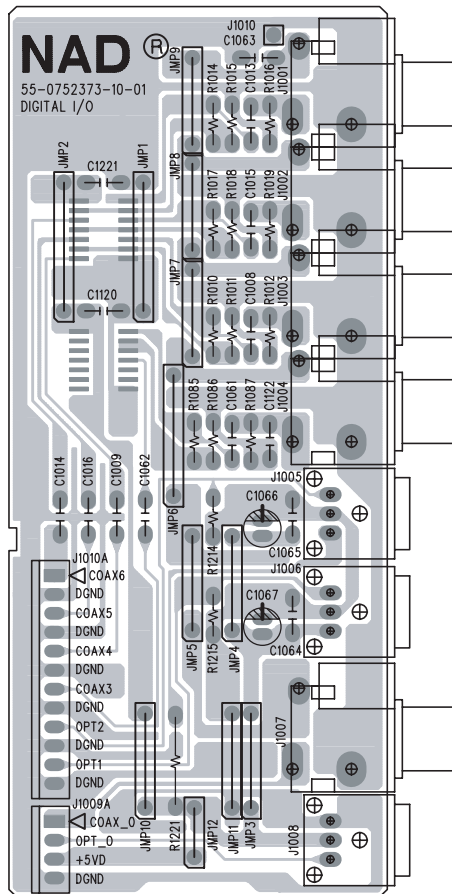
## DIGITAL IN / OUT BOARD (ISSUE 7)



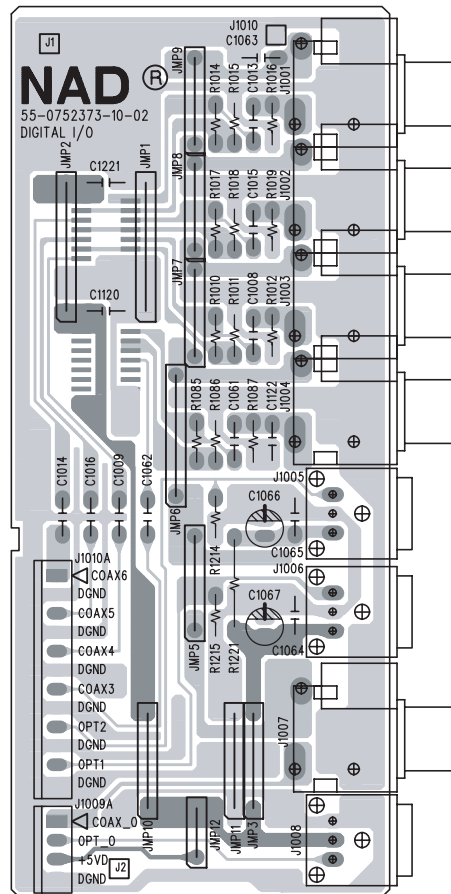
## DIGITAL IN / OUT BOARD (ISSUE 8)



## DIGITAL IN / OUT BOARD (PN-01)

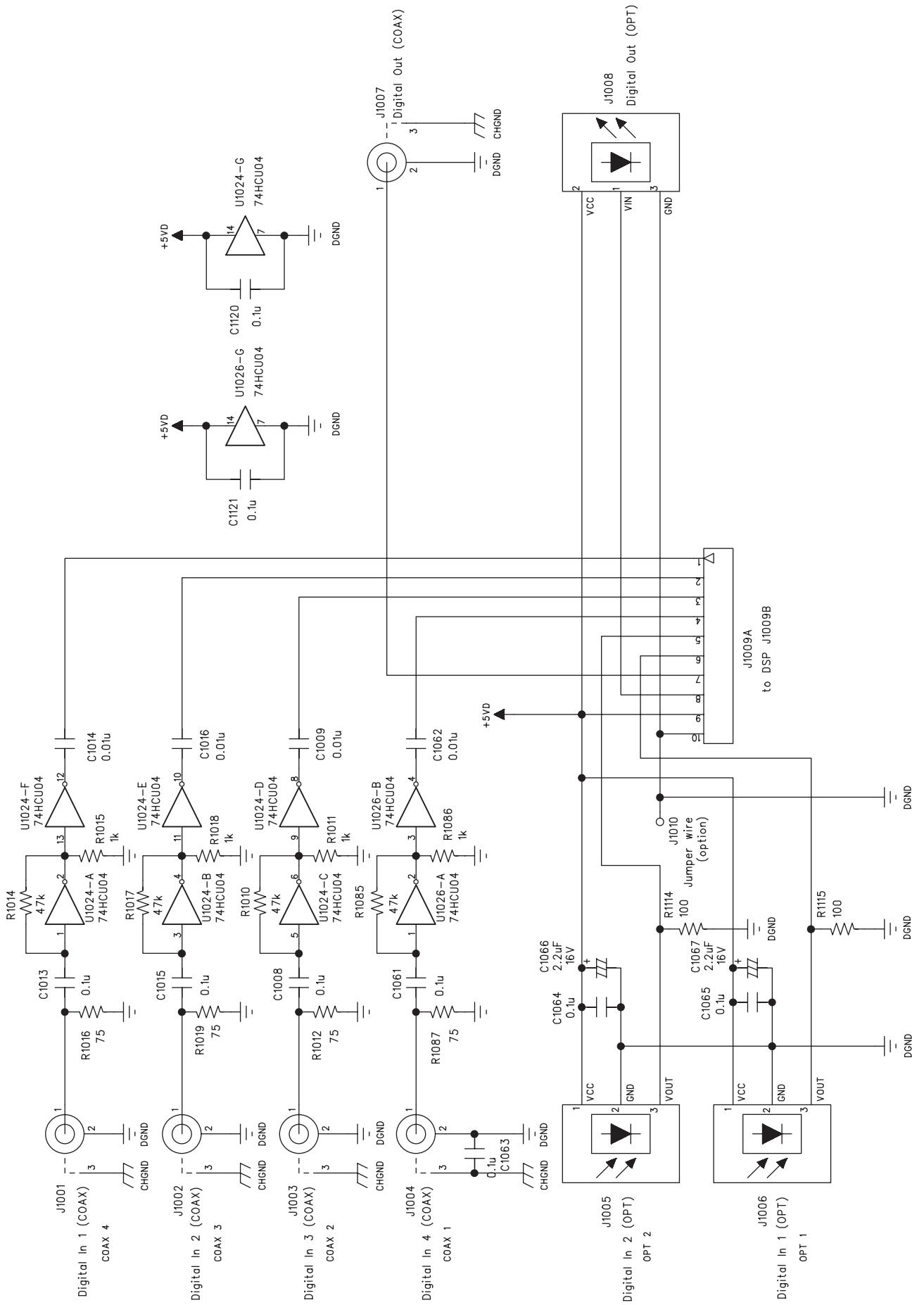


## DIGITAL IN / OUT BOARD (PN-02)



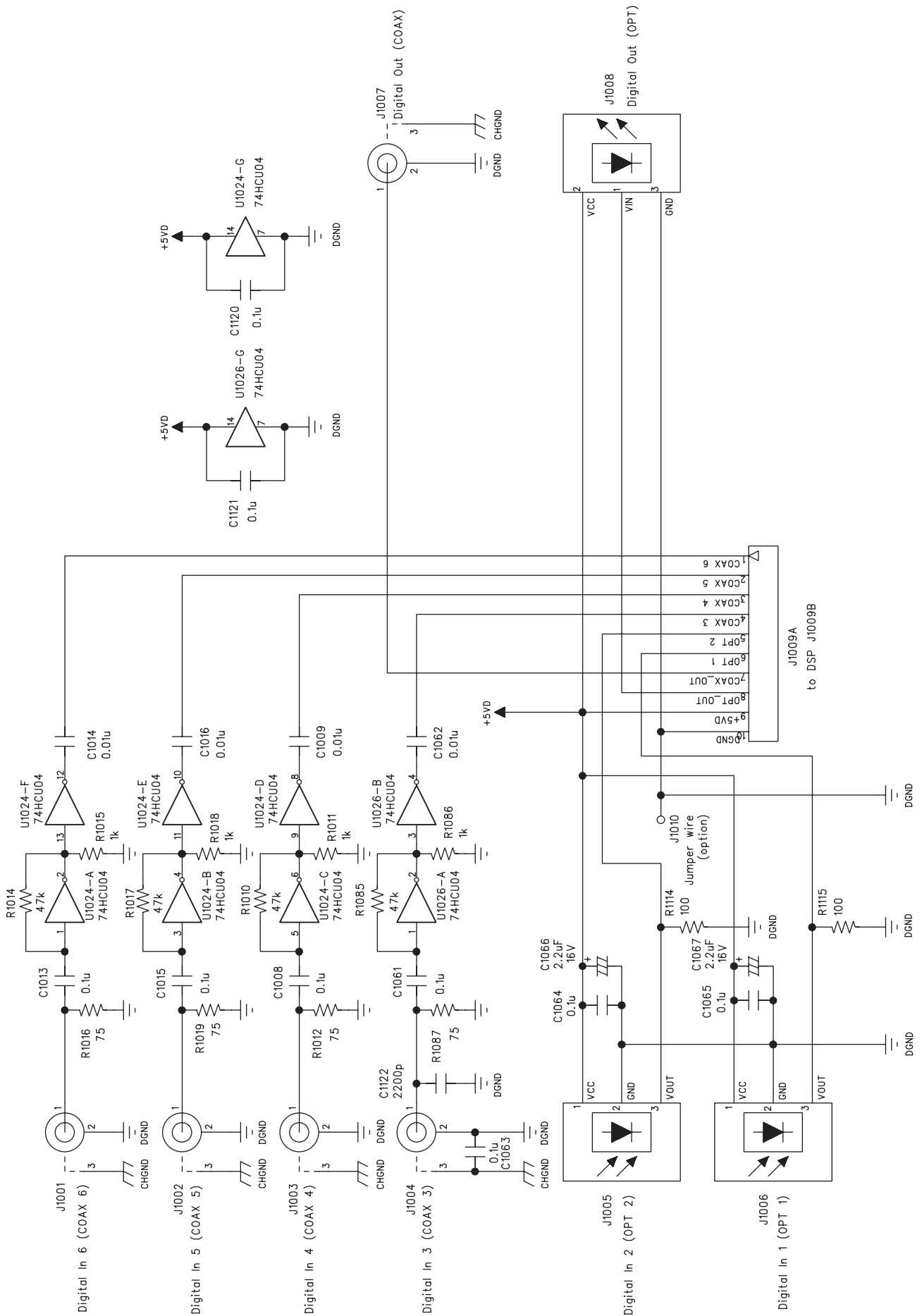
# SCHEMATIC DIAGRAM

## DIGITAL IN / OUT BOARD (ISSUE 6)



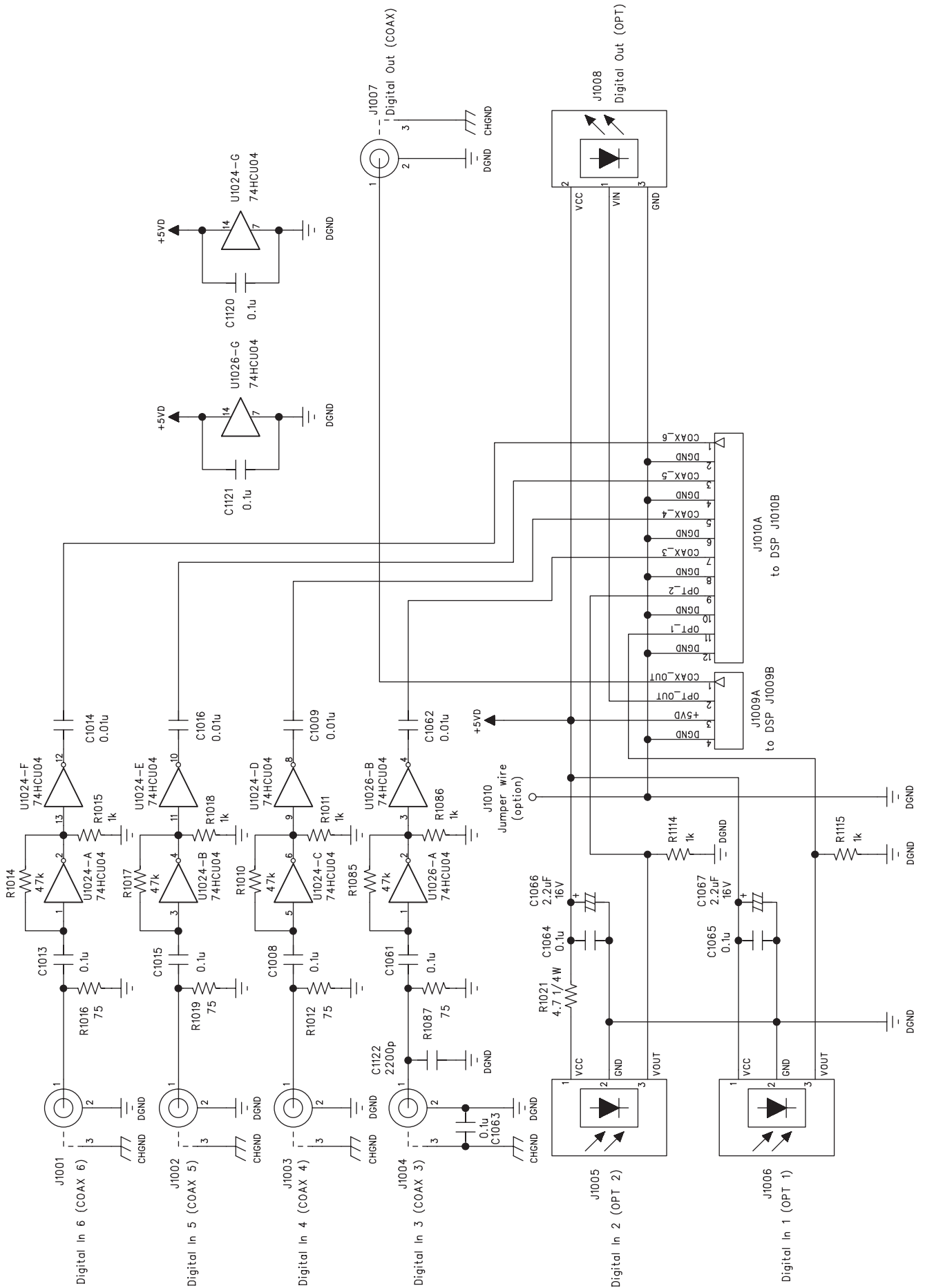
# SCHEMATIC DIAGRAM

## DIGITAL IN / OUT BOARD (ISSUE 7)



# PCB LAYOUT

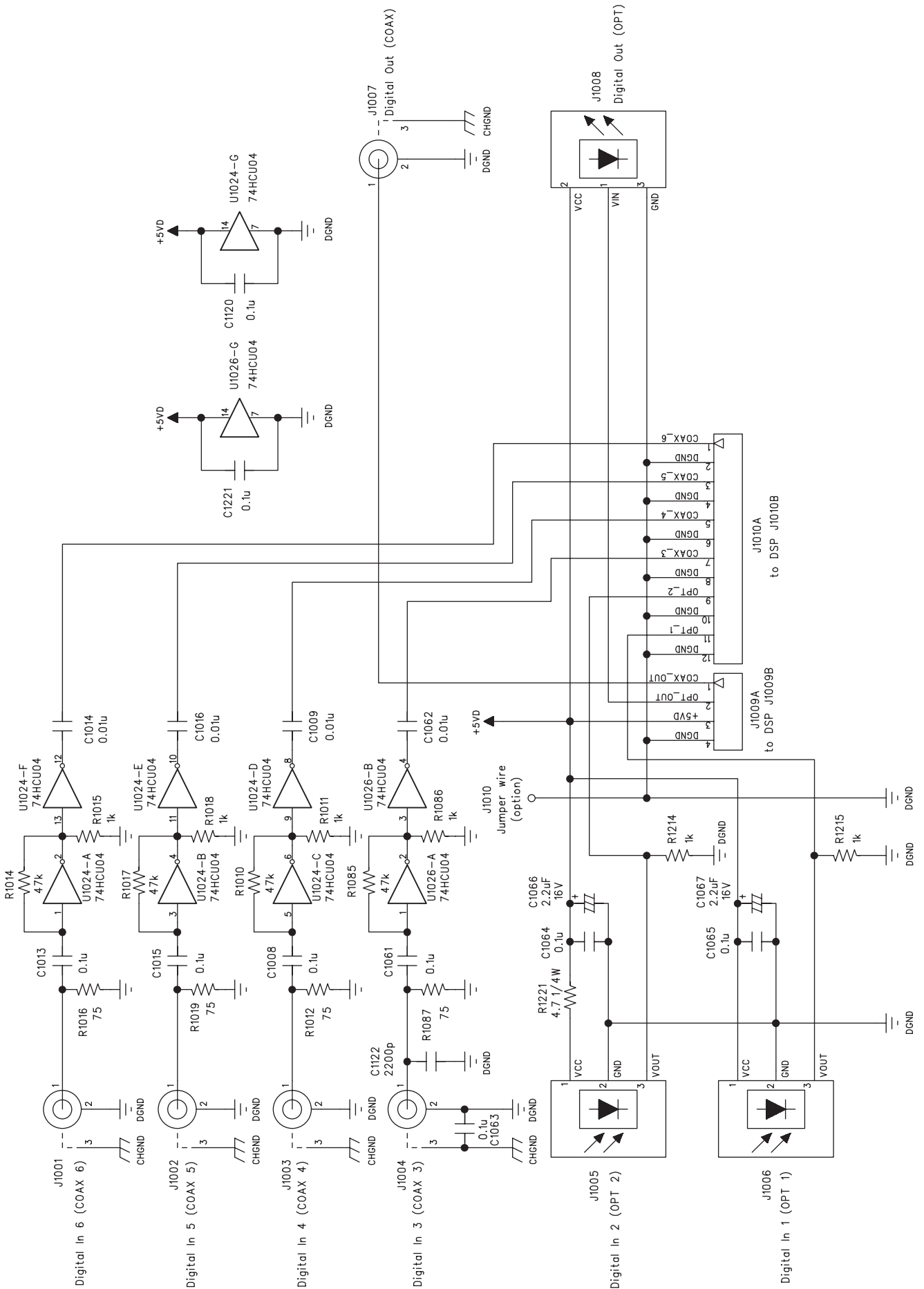
## DIGITAL IN / OUT BOARD (ISSUE 8)





# PCB LAYOUT

## DIGITAL IN / OUT BOARD (PN-01)





# VERSION HISTORY

## PRE-OUT BOARD

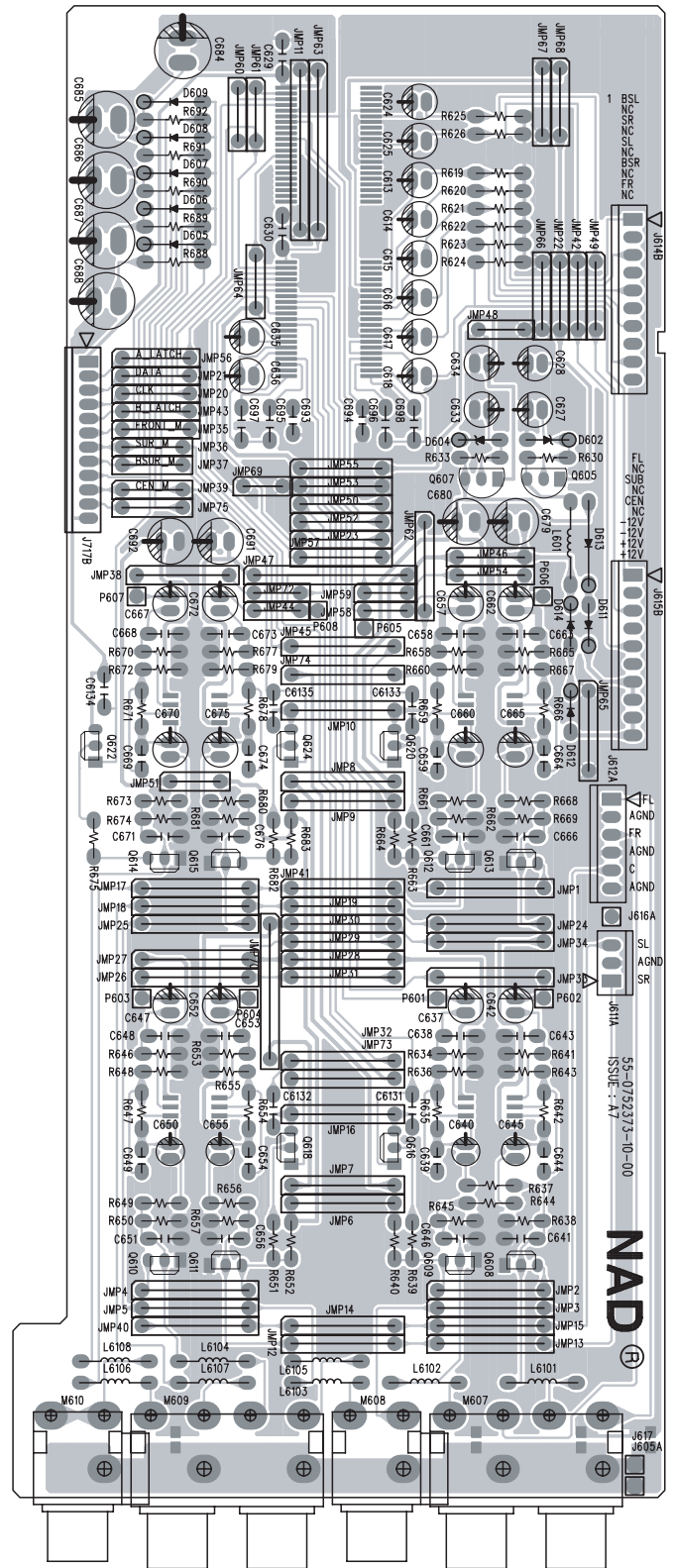
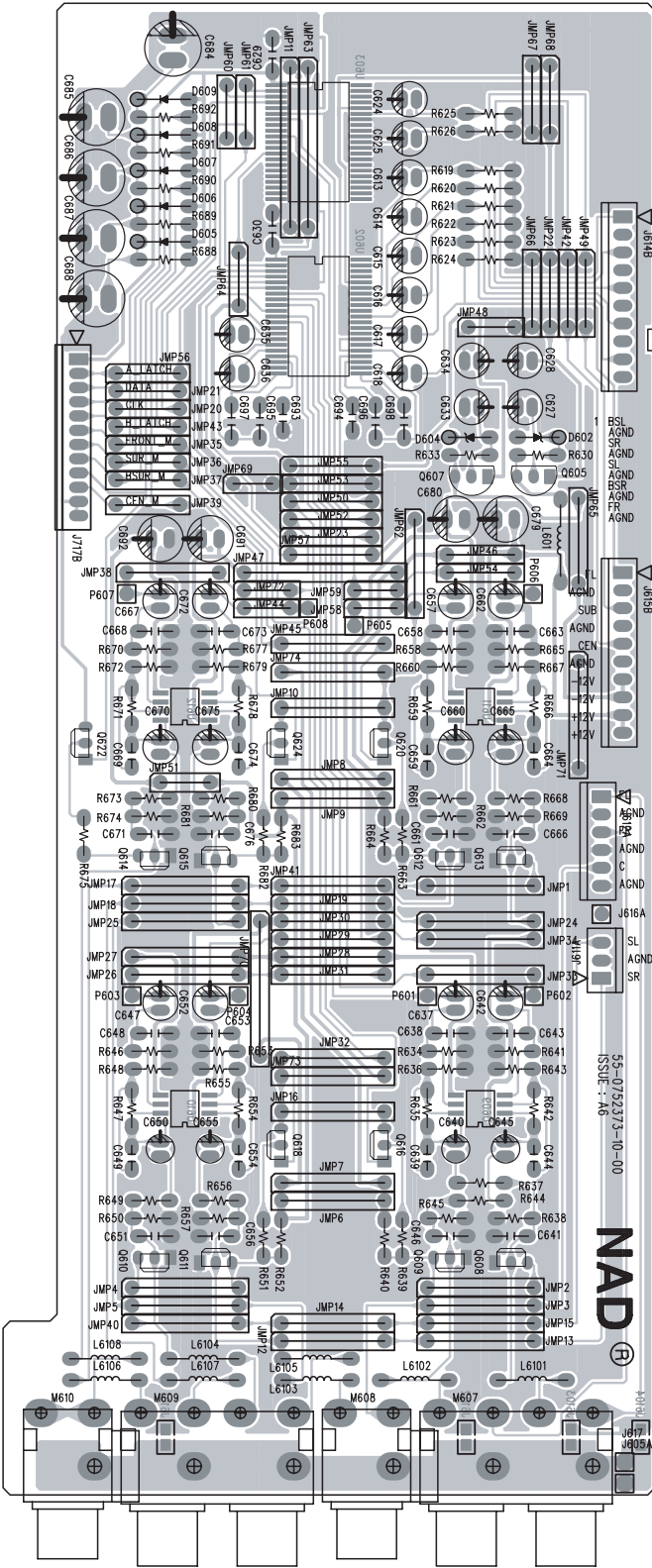
ISSUE	DESC. / PART NO.	CAUSE(S)	SERIAL NUMBER
<b>ISSUE 6</b>	PRE-OUT BOARD : 55-0752373-10-00 A6		R28T75200001-R28T75200280 R28T75200401-R28T75200481
<b>ISSUE 7</b>	PRE-OUT BOARD : 55-0752373-10-00 A7	<ul style="list-style-type: none"> <li>• Add Diode on +12V</li> <li>• Add Diode on -12V</li> </ul>	R28T75200281-R28T75200400 R28T75200482-R28T75201253 R2XT75203301-R2XT75203460
<b>ISSUE 8</b>	PRE-OUT BOARD : 55-0752373-10-00 A8	<ul style="list-style-type: none"> <li>• No layout change</li> </ul>	R28T75201254-R29T75202800 R2XT75202801-R2XT75203300 R2XT75203461-R2XT75203514
<b>PN-01</b>	PRE-OUT BOARD : 55-0752373-10-01	<ul style="list-style-type: none"> <li>• No layout change</li> </ul>	R2XT75203515-R2XT75204550 R2YT75204551-R2YT75205594 R2YT75207629-R2YT75207685 R2ZT75205595-R2ZT75206600 R31T75206601-R31T75207100 R32T75207101-R32T75207600 R33T75207601-R33T75207727 R34T75207728-R34T75209227 R37T75209228-R37T75210377 R38T75210378-R38T75210667
<b>PN-02</b>	PRE-OUT BOARD : 55-0752373-10-02	<ul style="list-style-type: none"> <li>• Add supply C.Cap C761, C762</li> </ul>	

# PCB LAYOUT

## PRE-OUT BOARD (ISSUE 6)

# PCB LAYOUT

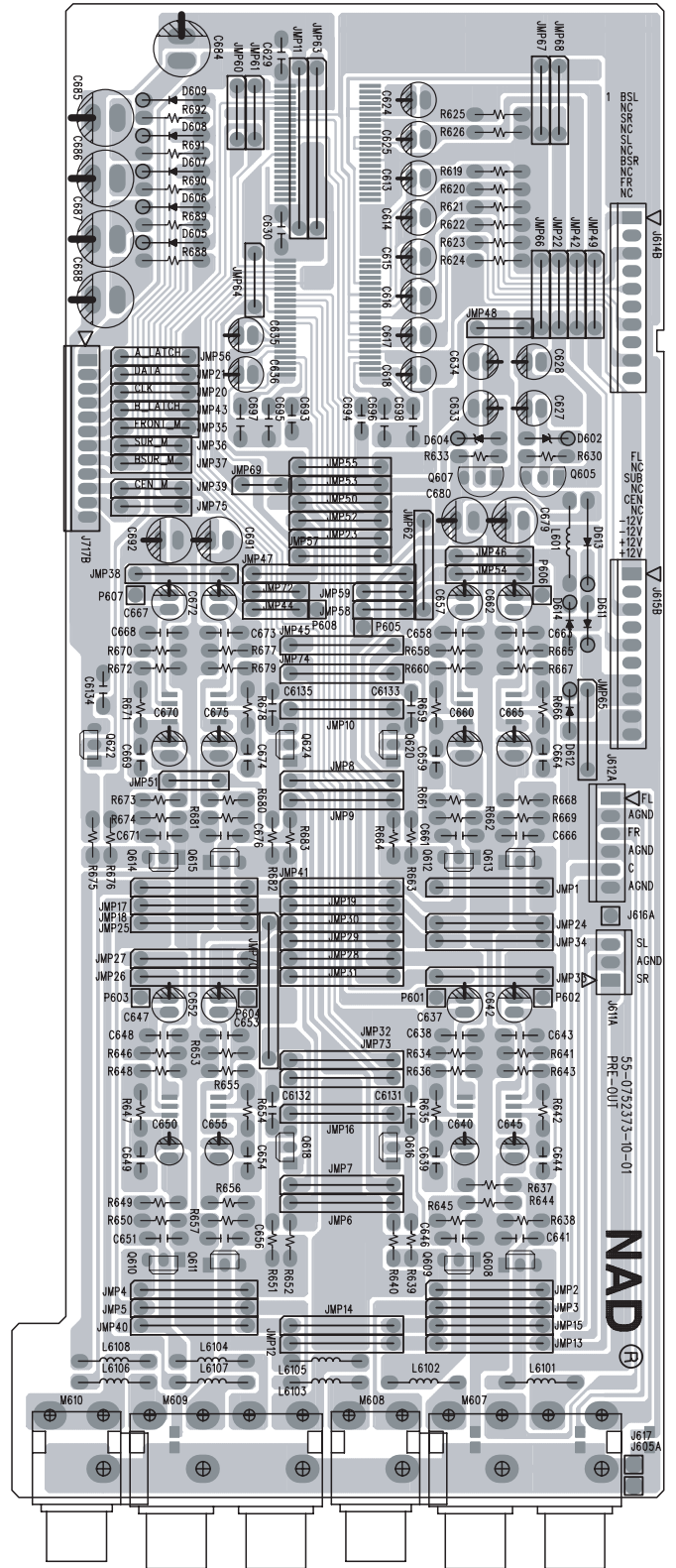
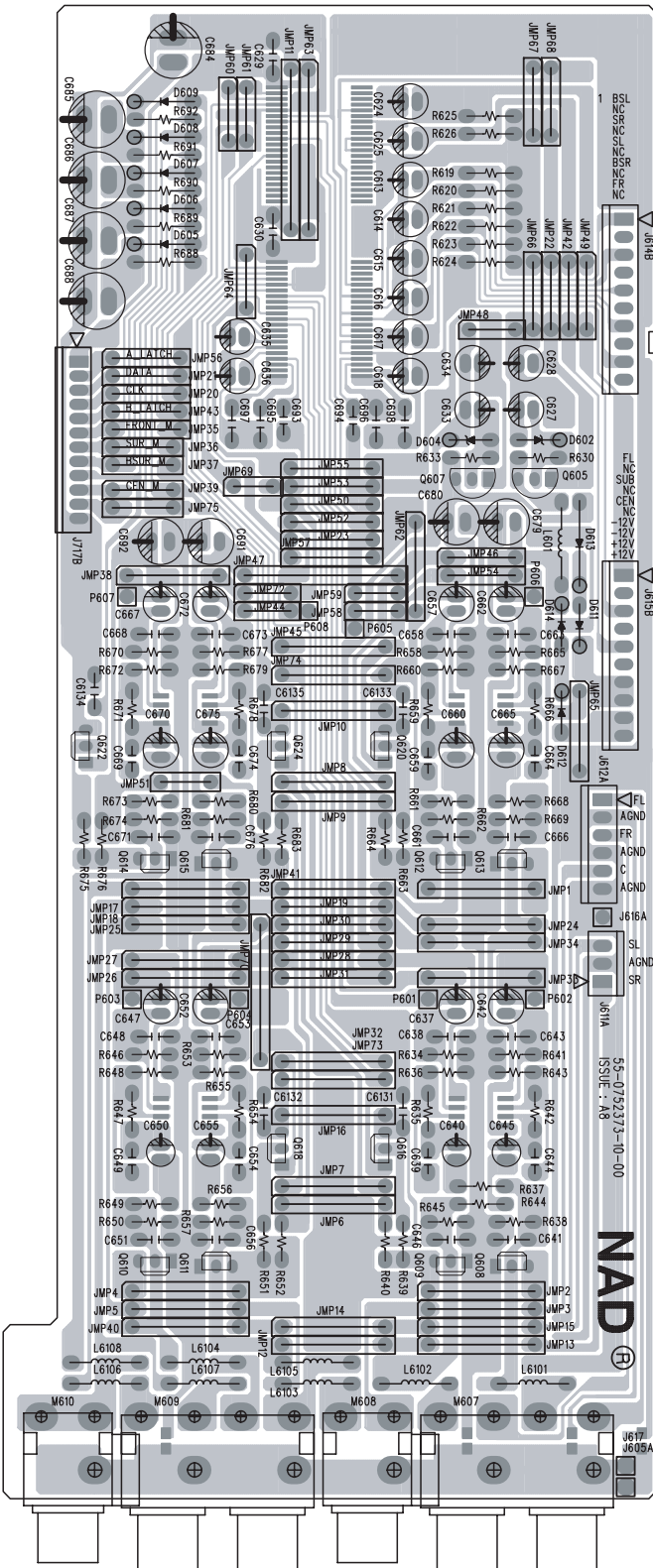
## PRE-OUT BOARD (ISSUE 7)



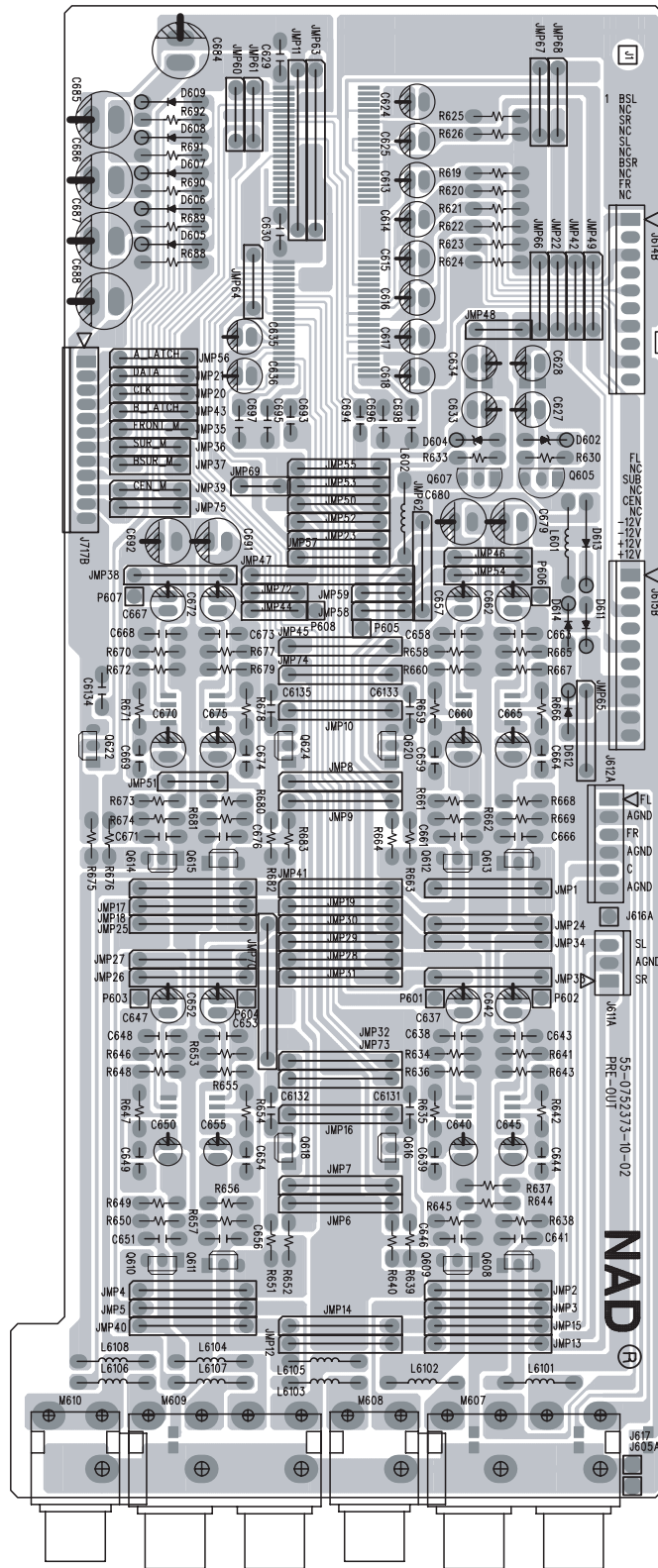
# PCB LAYOUT

## PRE-OUT BOARD (ISSUE 8)

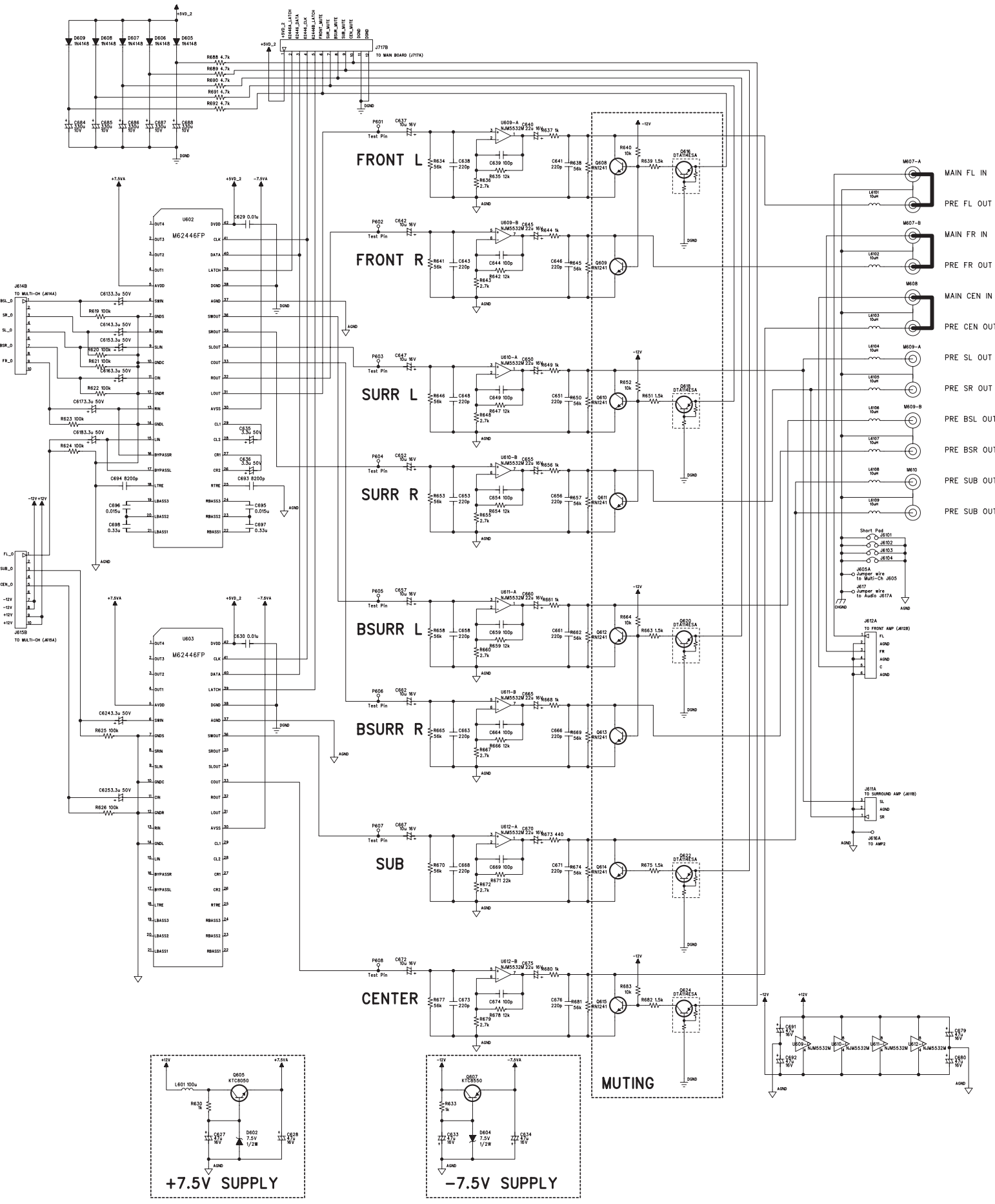
# PRE-OUT BOARD (PN-01)



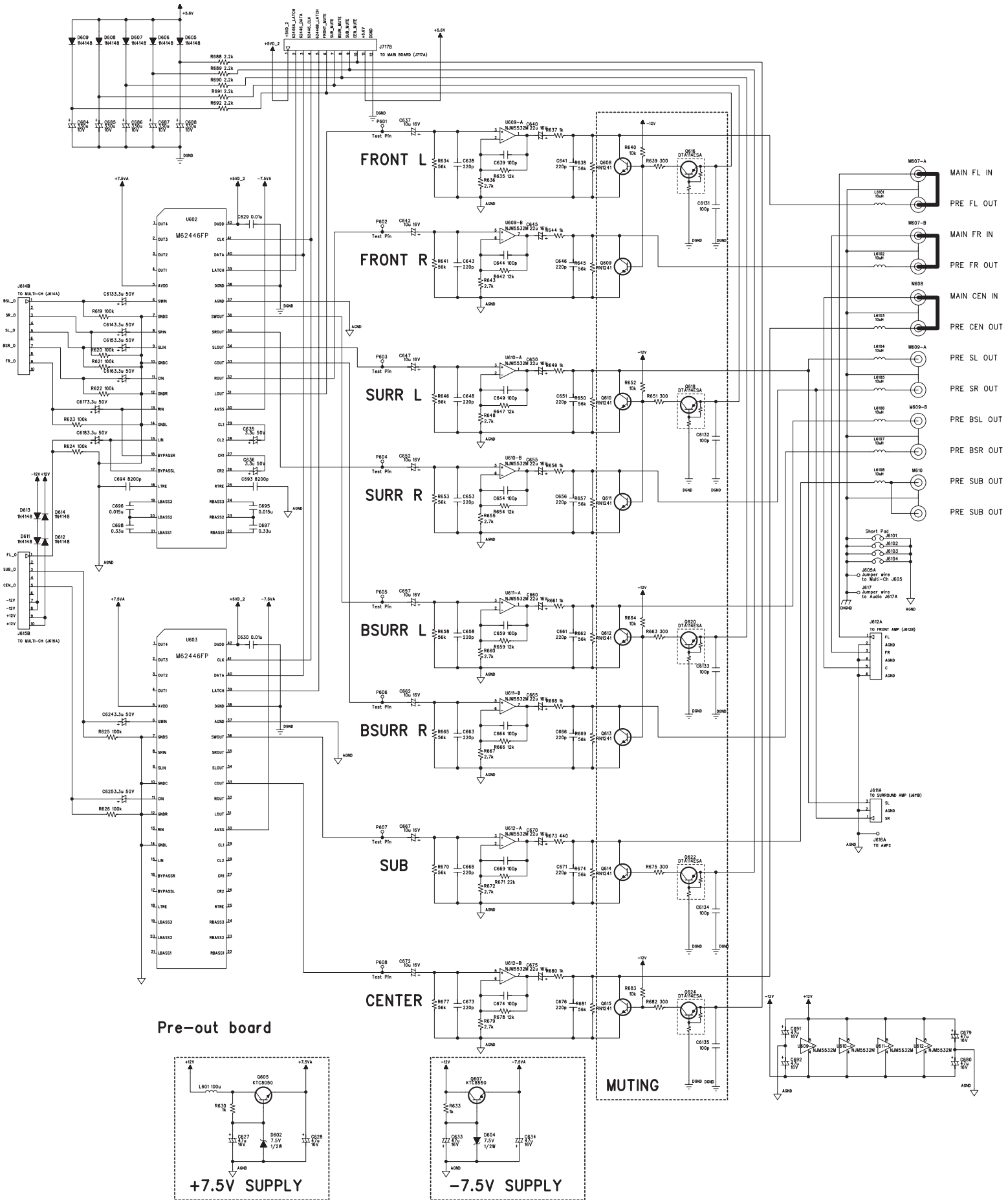
# PCB LAYOUT PRE-OUT BOARD (PN-02)



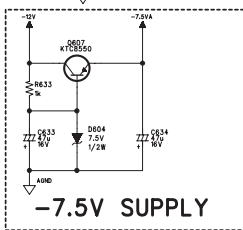
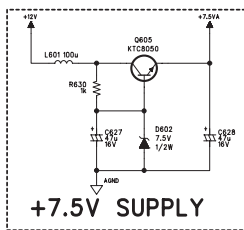
# SCHEMATIC DIAGRAM PRE-OUT BOARD (ISSUE 6)



# SCHEMATIC DIAGRAM PRE-OUT BOARD (ISSUE 7)



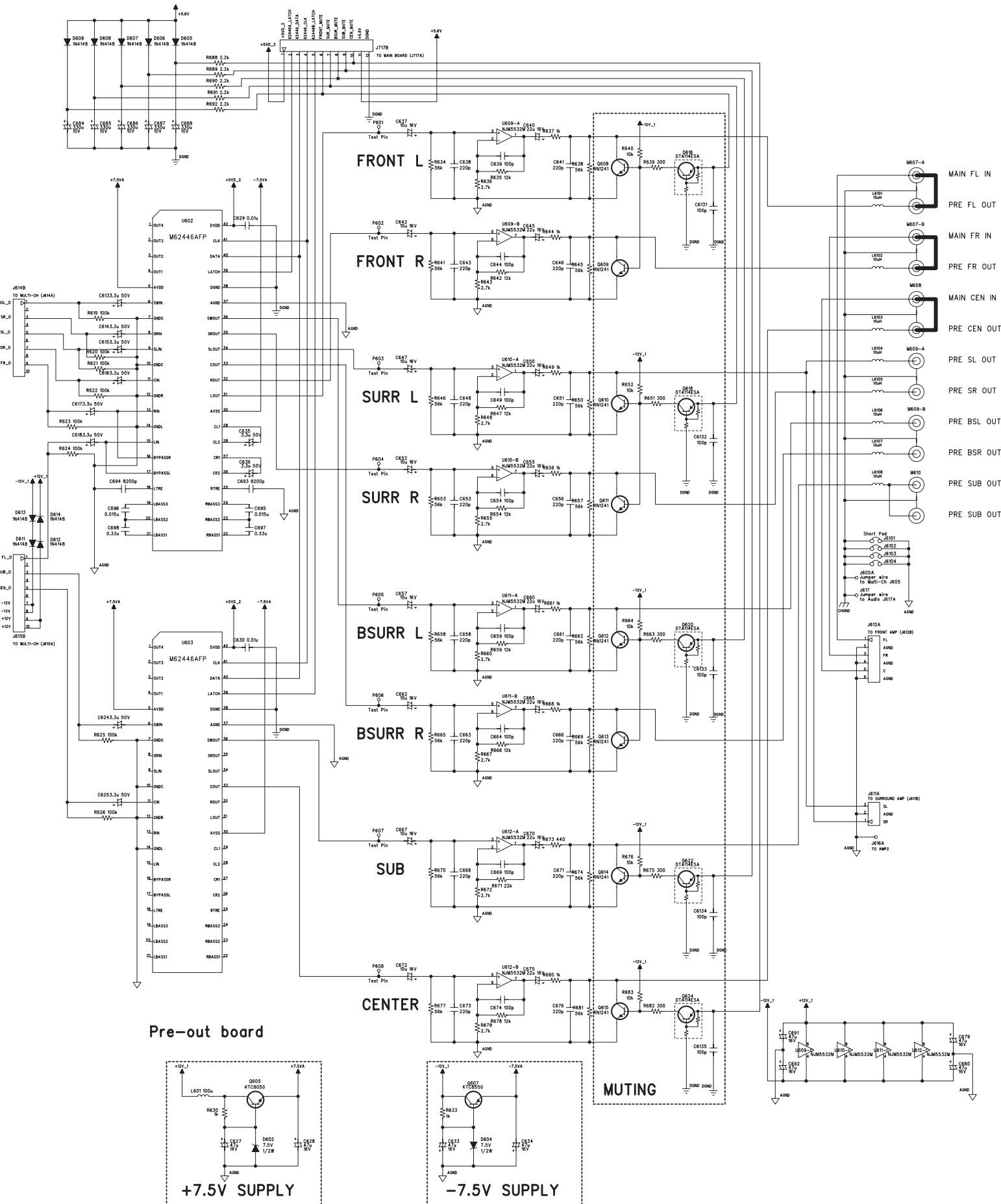
Pre-out board



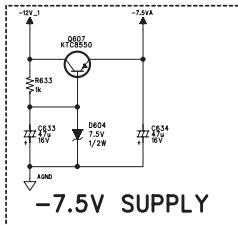
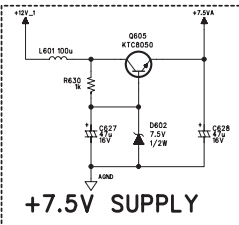
MUTING



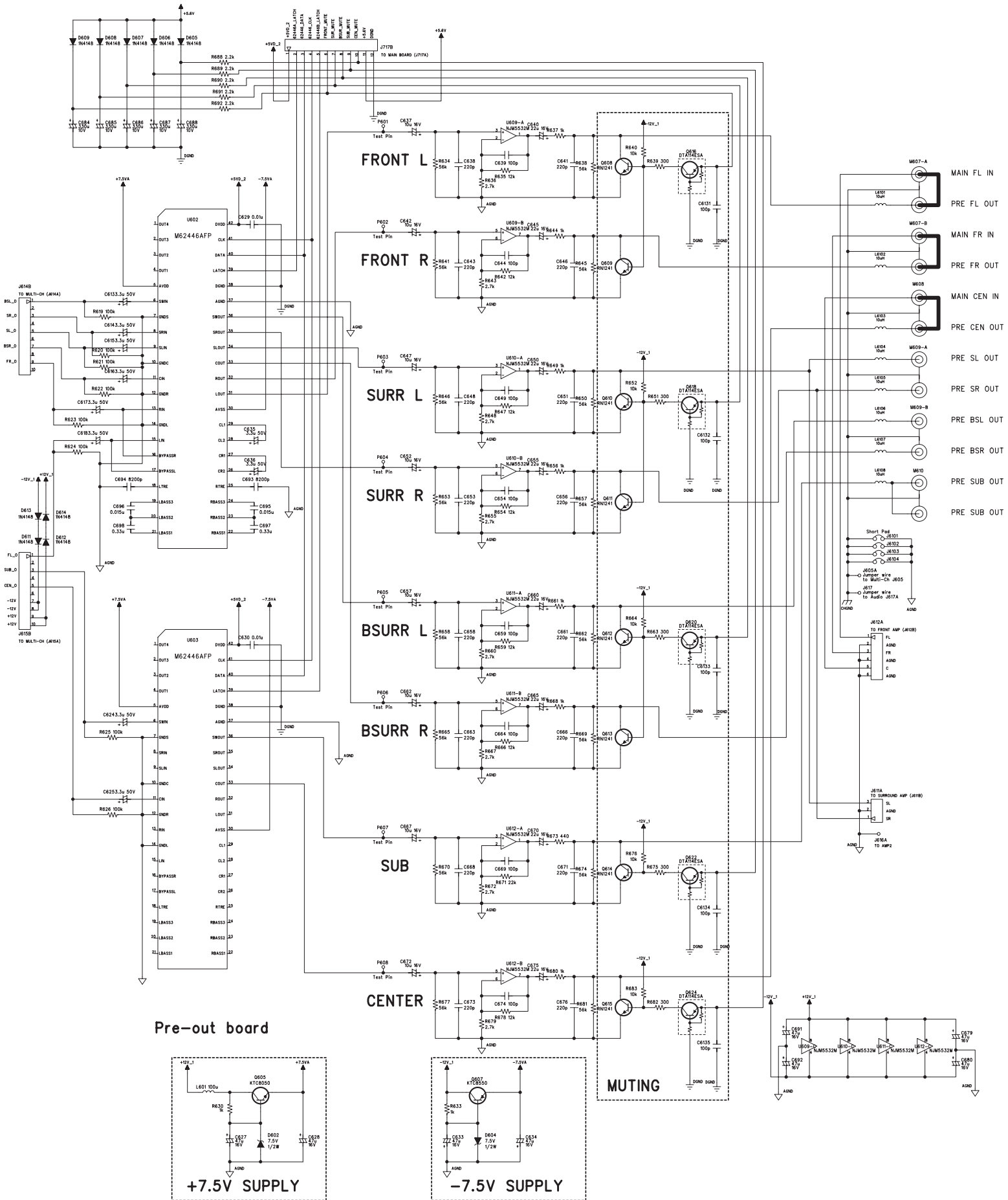
# SCHEMATIC DIAGRAM PRE-OUT BOARD (ISSUE 8)



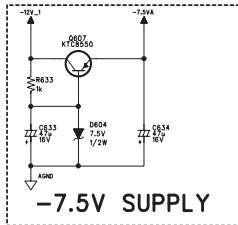
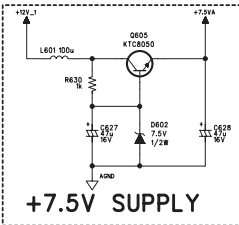
Pre-out board



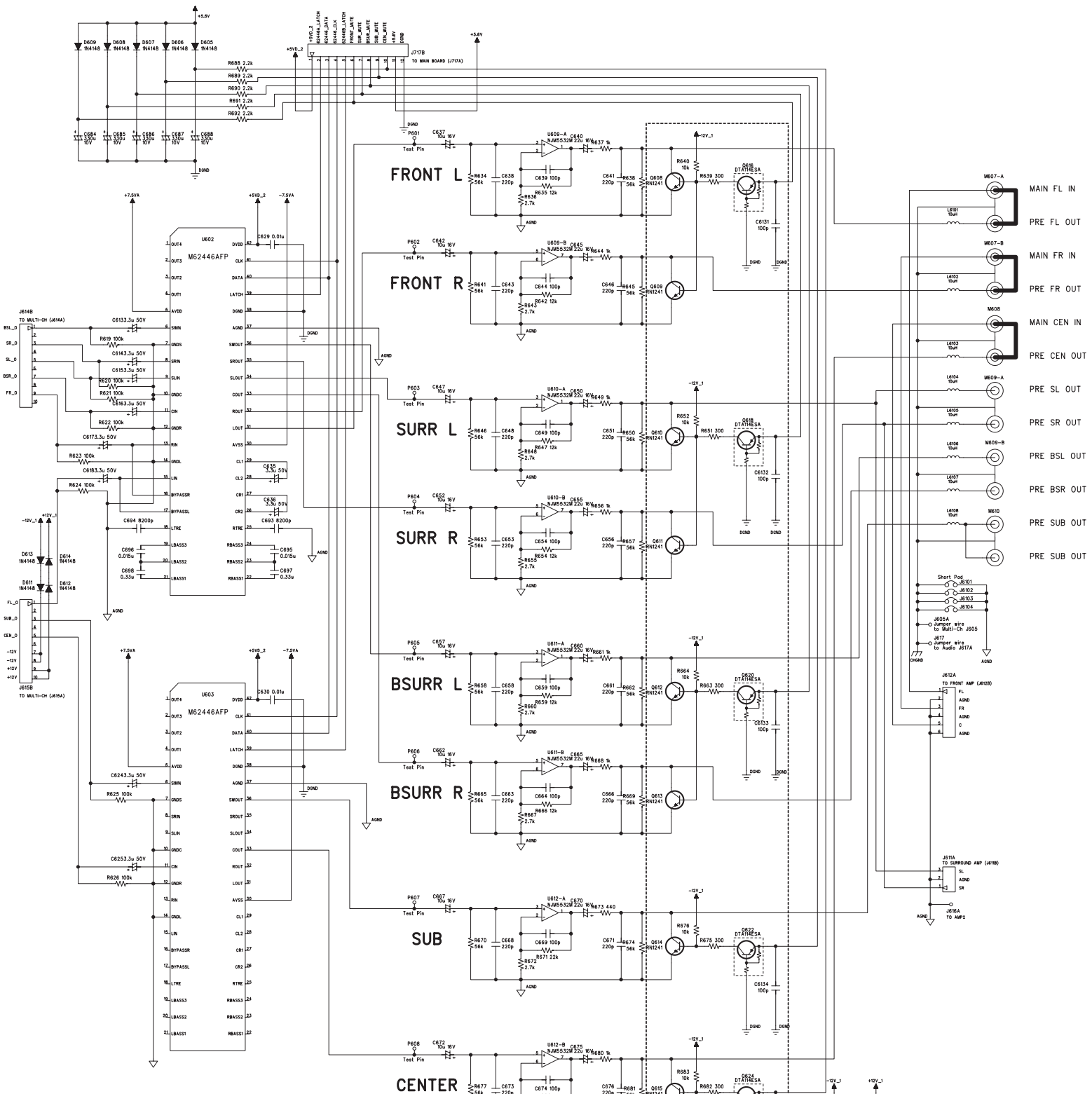
# SCHEMATIC DIAGRAM PRE-OUT BOARD (PN-01)



Pre-out board



# SCHEMATIC DIAGRAM PRE-OUT BOARD (PN-02)



Pre-out board

