

SERVICE MANUAL



T 765

Surround Sound Receiver

T 765

Surround Sound
Receiver

SAFETY INFORMATION

NAD®, **Soft Clipping™**, **PowerDrive™** and **EARS™** are trademarks of NAD Electronics International, a division of Lenbrook Industries Limited.
©NAD All Rights Reserved


Manufactured under license under U.S. Patent #'s: 5,451,942; 5,956,674; 5,974,380; 5,978,762; 6,226,616; 6,487,535; 7,003,467; 7,212,872 & other U.S. and worldwide patents issued & pending. DTS is a registered trademark & the DTS logos and Symbol are trademarks of DTS, Inc. © 1996-2007 DTS, Inc. All Rights Reserved.

Manufactured under license from Dolby Laboratories. "Dolby", "Pro Logic", and the double-D symbol are trademarks of Dolby Laboratories.

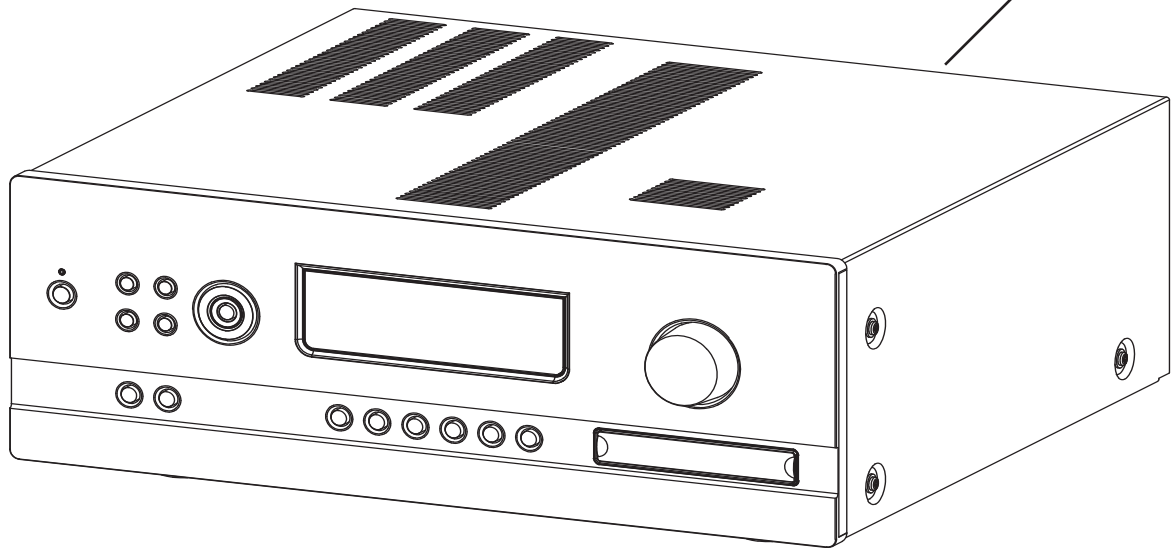
THIS DEVICE COMPLIES WITH PART 15 OF THE FCC RULES. OPERATION IS SUBJECT TO THE FOLLOWING TWO CONDITIONS:
(1) THIS DEVICE MAY NOT CAUSE HARMFUL INTERFERENCE.
(2) THIS DEVICE MUST ACCEPT INTERFERENCE RECEIVED, INCLUDING INTERFERENCE THAT MAY CAUSE UNDESIRABLE OPERATION.

NAD ELECTRONICS INTERNATIONAL
633 GRANITE COURT, PICKERING, ON CANADA L1W 3K1
MODEL T765 AV SURROUND SOUND RECEIVER
POWER RATING 120V ~ 60Hz 7A
DESIGNED & ENGINEERED IN CANADA, CUSTOM MANUFACTURED TO NAD SPECIFICATIONS IN CHINA

NAD ELECTRONICS INTERNATIONAL
MODEL T 765 A/V SURROUND SOUND RECEIVER
POWER RATING 230V ~ 50Hz 3.5A
DESIGNED & ENGINEERED IN CANADA, CUSTOM MANUFACTURED TO NAD SPECIFICATIONS IN CHINA

 **CAUTION**
RISK OF ELECTRIC SHOCK
DO NOT OPEN

WARNING: SHOCK HAZARD - DO NOT OPEN
AVIS: RISQUE DE CHOC ELECTRIQUE - NE PAS OUVRIR



SERVICE SAFETY PRECAUTIONS

1. Replacing the fuses

CAUTION:

FOR CONTINUED PROTECTION AGAINST THE RISK OF FIRE REPLACE ONLY WITH SAME TYPE OF FUSE.

Reference Designator		Database Part Number	Description
F8001*AH	⚠	20-001-0078-90	FUSE TIME-LAG 10A/250VAC 5X20mm UL/CSA 5T
F8002*C,CT	⚠	20-001-0069-90	FUSE 800mA 250V TIME LAG LBC 5x20mm 5T UL/CSA/VDE/SEMKO
F8002*AH	⚠	20-001-0076-90	FUSE 1.6A 250V TIME LAG LBC 5x20mm 5T UL/CSA/VDE/SEMKO
F8001*C,CT	⚠	20-001-0072-90	FUSE TIME-LAG 6.3A/250VAC 5X20mm VDE/UL/CSA 5T

NOTE:

<*AH > : USA, CANADIAN MODEL ONLY.
<*C, *CT > : EUROPEAN MODEL ONLY.

2. Safety check out

(Only U.S.A. model)

Before returning the product to the customer, make leakage current or resistance measurements to determine that exposed parts are acceptably insulated from supply circuit.

Parts marked with the symbol ⚠ are critical with regard to the risk of fire and electric shock.

CONTENTS

DESCRIPTION	PAGE
SPECIFICATIONS.....	4 - 5
REAR PANEL / FRONT PANEL VIEW	6
DISASSEMBLY INSTRUCTIONS	7
WIRING DIAGRAM	8 - 9
BLOCK DIAGRAM.....	10
SPECIAL FUNCTION	11
DETAILS & WAVEFORMS ON SYSTEM & TEST & DEBUGGING.....	11-12
ADJUSTMENT POINTS DIAGRAM / AMPLIFIER ADJUSTMENT	13
PCB LAYOUT.....	14- 37
SCHEMATIC DIAGRAM.....	38-63
ELECTRICAL PARTS LIST.....	64-87
IC BLOCK DIAGRAM.....	88-108
EXPLODED VIEW.....	109-110
EXPLODED VIEW PARTS LIST	111-114
SINGLE CHANNEL SERVICE KIT	115-117
PACKING DIAGRAM.....	118

SPECIFICATIONS

POWER AMPLIFIER SECTION

Rated distortion	(Rated power level into 8 ohms, THD 20 Hz-20 kHz FL/C/FR)	≤ 0.1 %
	(Rated power level into 8 ohms, THD 20 Hz-20 kHz SL/SR/BL/BR)	≤ 0.1 %
Input Sensitivity	(ref. 8 ohms, 1 kHz)	0.9 ± 0.1 V
S/N Ratio	(A-wtd, 1kHz, 1 W, 8 ohm, FL/C/FR/SL/SR/BL/BR)	≥ - 80 dB
Frequency Response	(20 Hz - 20 kHz)	0 ± 1.0 dB
Channel Balance	(1 dB to -40 dB, 1 kHz)	≤ 2 dB
	(-41 dB to -50 dB, 1 kHz)	≤ 3 dB
Audio muting at 1 kHz		≥ 55 dB
Subwoofer out, 500 mV in	(THD at 2 V O/P, 100 Hz)	≤ 0.5 %
Crosstalk	(500 mV input, 1 W, 1 kHz)	≥ -57 dB
Controls		
Bass	(at 500 mV in, 1 W out, 100 Hz)	± 10 dB ± 2 dB
Treble	(at 500 mV in, 1 W out, 10 kHz)	± 10 dB ± 2 dB

DOLBY DIGITAL SECTION

Channel Difference	(FL ref. Track 30)	± 1.2 dB
Frequency Response at Dolby config.2	SL Track 46 200 - 20 kHz	± 0.8 dB
	SR Track 47 200 - 20 kHz	± 0.8 dB
	C Track 44 200 - 20 kHz	± 0.8 dB
Harmonic Distortion (1 W, Audio LPF, Dolby Congfig 1)	FL Track 65 997 Hz	≤ 0.08 %
	FR Track 67 997 Hz	≤ 0.08 %
	SL Track 68 997 Hz	≤ 0.08 %
	SR Track 69 997 Hz	≤ 0.08 %
	C Track 66 997 Hz	≤ 0.08 %
S/N Ratio (31 for O/P 1 W, Track 35)	CCIR / ARM	≥ 65 dB
	Audio LPF	≥ 64 dB
	A-wtd	≥ 68 dB
Channel Separation (1 W, 20 kHz LPF)	Track 65 997 Hz	≥ 55 dB

DOLBY PRO LOGIC II SECTION

Frequency Response

I/P mode : L, R	: 1 V in, 1 W, Ch L/R	40 Hz	0 ± 2.0 dB
		20 Hz	0 ± 2.0 dB
I/P mode : L=R	: 1 V in, 1 W, Ch /L/R	40 Hz	0 ± 2.0 dB
	Ch C	20 kHz	0 ± 2.0 dB
I/P mode : L=-R	: 1 V in, 1 W, Ch SL/SR	40 Hz	0 ± 2.0 dB
		20 kHz	0 ± 2.0 dB
S/N Ratio (200 mV in, 1 W, A-WTD w/ 1 k termination)			
I/P mode : L, R	: 1 kHz, Ch L/R		≥ 65 dB
I/P mode : L=R	: 1 kHz, Ch C		≥ 65 dB
I/P mode : L=-R	: 1 kHz, Ch SL/SR		≥ 65 dB
THD (2.2 V in, 1 W, w/ 80 kHz LPF, 1 kHz)			≤ 0.2 %

DTS SECTION

Output Level (Vol 0 dB)	: FL/FR/C/SL/SR Track 6	1 kHz	0.5 -0.2/+0.8 W
Channel Difference (FL ref)	: FL/FR/C/SL/SR Track 6	1 kHz	0 ± 1.0 dB
Harmonic Distortion (Audio Filter)	: FL/FR/C/SL/SR Track 10-14	1 kHz	≤ 0.08 %
Frequency Response (20 Hz to 20 kHz)	Track 26-30		+2/-1.5 dB
Subwoofer Output Level	1 kHz ref at pre-out (FL) Play Track 10, charge to 15		12.5 ± 1.5 dB

AM TUNER SECTION

Input level is expressed as the reading in open circuit of 75-ohm source impedance signal generator

Usable sensitivity (999/1000 kHz)		≤ 60 dB_{μV}
S/N Ratio (5 mV in)		≥ 38 dB
THD (5 mV in)		≤ 3 %
IF Rejection (450 kHz)		≤ 36 dB
Image Rejection (F+2xIF)		≥ 28 dB
Selectivity		≥ 17 dB
Output		170 -20/+30 mV
Loop sensitivity (20 dB S/N)		
	999/1000 kHz	≤ 66 dB
	603/600 kHz	≤ 66 dB
	1404/1400 kHz	≤ 66 dB
Frequency Response (100 - 2.3 kHz, 5 mV)		± 6 dB

FM TUNER SECTION

***C**

***AH**

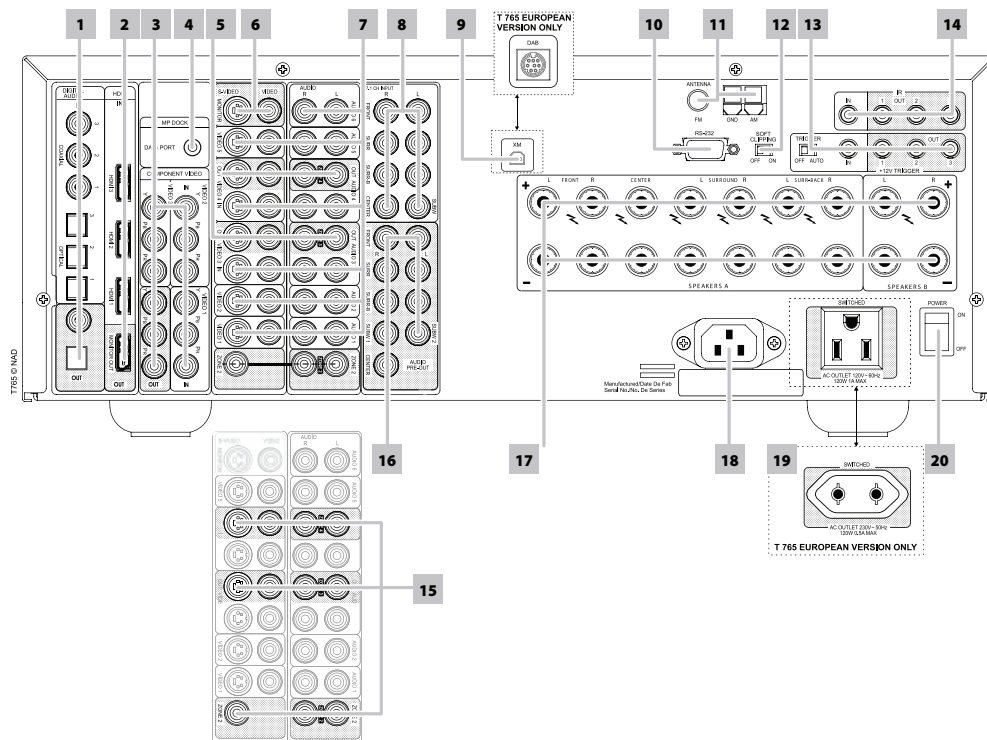
Input level is expressed as the reading in open circuit of 75-ohm source impedance signal generator

Usable sensitivity (98 MHz)		≤ 15 dB_μ	≤ 15 dB_{μV}
S/N Ratio (60 dB, IHF wtd)	Mono	≥ 60 dB	≥ 60 dB
	Stereo	≥ 63 dB	≥ 63 dB
Frequency Response (20 Hz - 15 kHz, 60 dB _μ)		0 ± 1.5 dB	0 ± 1.5 dB
Channel Separation (60 dB _μ)	100 Hz	≥ 30 dB	≥ 30 dB
	1 k	≥ 38 dB	≥ 38 dB
	10 kHz	≥ 30 dB	≥ 30 dB
Alternate Channel Selectivity (40 dB _μ , ± 400 kHz)		≥ 60 dB	≥ 45 dB
Capture Ratio (40 dB _μ)		≤ 3 dB	≤ 3 dB
AM Suppression (60 dB _μ , 100% Mod. FM, 30% Mod. AM)		≥ 48 dB	≥ 48 dB
Image Rejection (119.4 MHz)		-	≥ 65 dB
I.F. Rejection (10.7 MHz)		≥ 78 dB	-
Pilot Suppression (98 MHz)		≥ 50 dB	≥ 60 dB
THD (60 dB _μ , L=R 75 kHz for AH, 40 kHz Dev for C)	Mono	≤ 0.25 %	≤ 0.25 %
	Stereo	≤ 0.35 %	≤ 0.35 %
Auto-Search Sensitivity	On	≥ 24 dB_μ	≥ 24 dB_μ
	Off	≤ 15 dB_μ	≤ 15 dB_μ
RDS decode Sensitivity		≤ 26 dB_μ	-

PHYSICAL SPECIFICATIONS

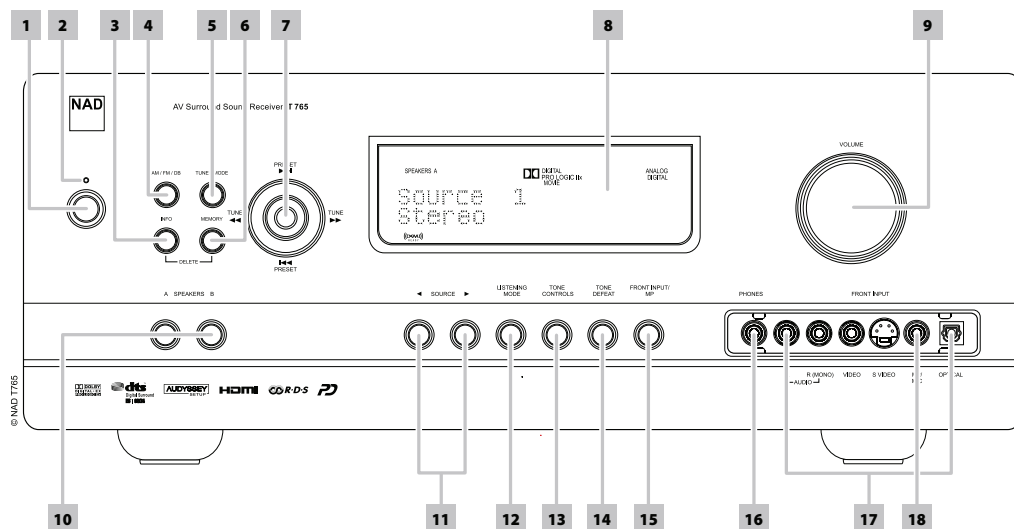
Dimensions (Width x Height x Depth)	435 x 170 x 423 mm
Net Weight	20.5 Kg (45.10 lbs)
Shipping Weight	24.0 Kg (52.80 lbs)

REAR PANEL / FRONT PANEL VIEW



- | | | |
|---------------------------|-------------------------|---------------------------|
| 1. DIGITAL AUDIO IN/OUT | 8. 7.1 CH INPUT | 14. IR IN/OUT |
| 2. HDMI | 9. XM MODULE INPUT(AH) | 15. ZONE 2,3,4 |
| 3. COMPONENT IN &OUT | DAB MODULE INOUT(C,CT) | 16. AUDIO PREOUT |
| 4. MP DOCK | 10. RS-232 | 17. SPEAKERS A, SPEAKER B |
| 5. AUDIO 3/4 OUT | 11. FM,AM ANTENNA INPUT | 18. AC POWER INLET |
| 6. MONITOR(S-VIDEO,VIDEO) | 12. SOFT CLIPPING | 19. SWITCHED AC OUTLET |
| 7. AUDIO/VEDIO IN | 13. +12V TRIGGER OUT | 20. POWER |

FRONT PANEL



- | | | |
|-----------------|--------------------------------------|-----------------------|
| 1. POWER BUTTON | 7. NAVIGATION AND ENTER BUTTON | 12. LISTENING MODE |
| 2. STANDBY LED | 8. VACUUM, FLUORES CENT DISPLAY(VFD) | 13. TONE CONTROLS |
| 3. INFO | 9. VOLUME | 14. TONE DEFEAT |
| 4. AM/FM/DB | 10. SPEAKER A/B | 15. FRONT INPUT/MP |
| 5. TUNER MODE | 11. SOURCE | 16. PHONES |
| 6. MEMORY | | 17. FRONT INPUT JACKS |
| | | 18. MP/MIC INPUT |

DISASSEMBLY INSTRUCTIONS

1. Remove machine screws M4.0 x 8.0 (1 to 6) from the side panels.
Remove tapping screw 3.0 x 8.0 (7 to 10) from the back panel.
Refer to **Figure No. 1**.

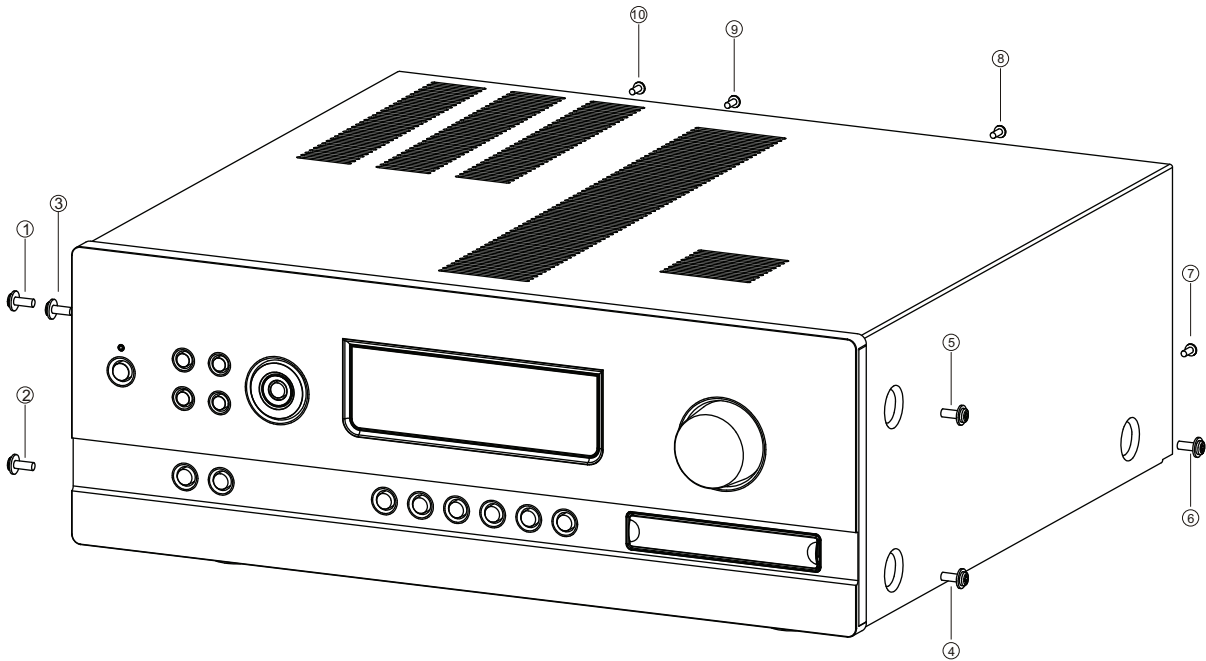


Figure No. 1

2. Pull both sides of the TOP COVER slightly outwards 11 and tilt approx. 35° and then remove in the direction as indicated by the arrow 12. Refer to **Figure No. 2**.

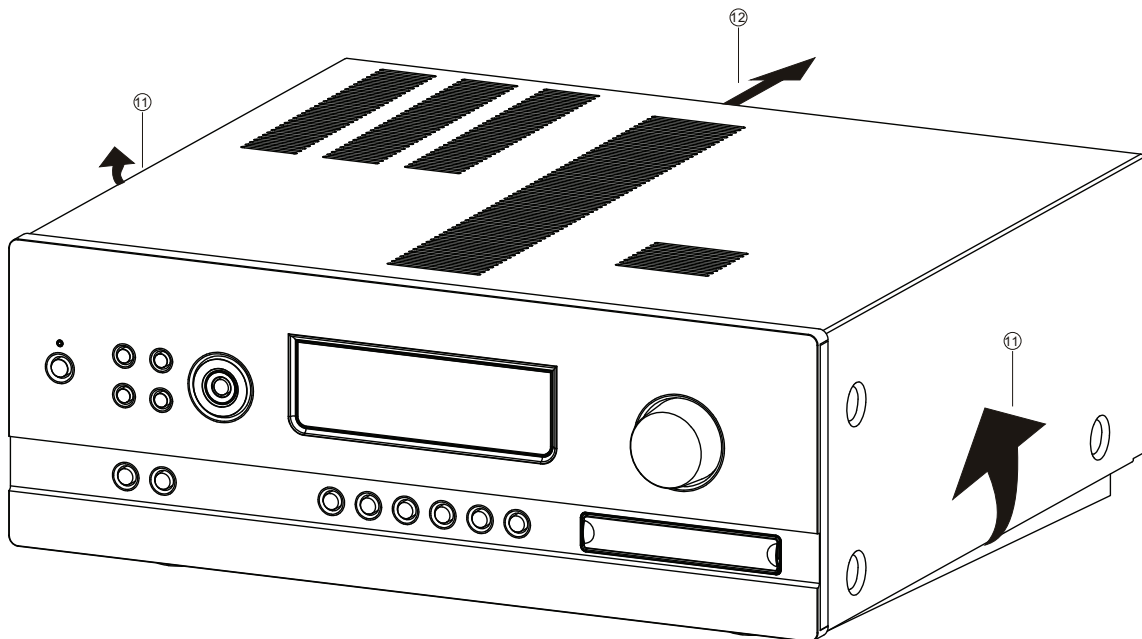
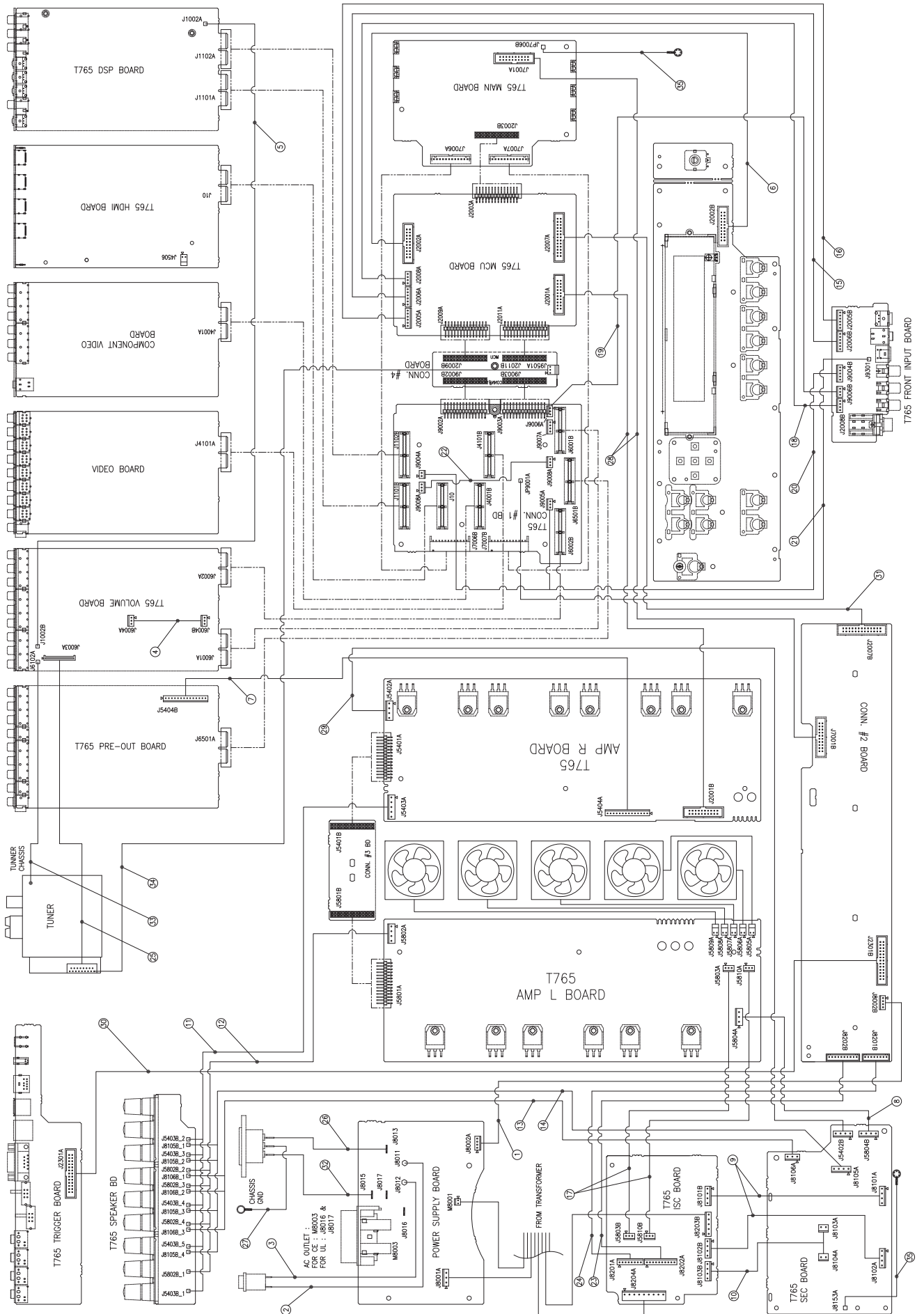


Figure No. 2

WIRING DIAGRAM

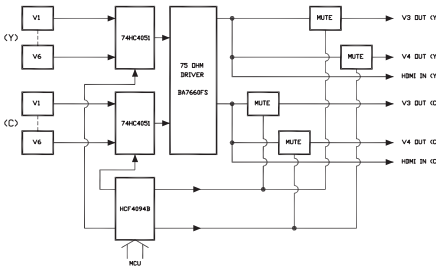


WIRING DIAGRAM PARTS LIST

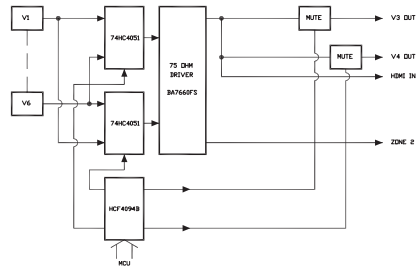
ITEM	PART NO.	DESCRIPTION	REMARK
1	17-012-2965-90	CABLE ASSY 4 WAYS #26 2.5P L=400mm	PSU BD-J8002A
2	17-012-3943-90	CABLE ASSY 1 WAY #16 UL1672 BLUE L=140mm FASTON 4.8mm	PSU BD-J8011
3	17-012-3944-90	CABLE ASSY 1 WAY #16 UL1672 BROWN L=140mm FASTON 4.8mm	PSU BD-J8012
4	17-012-3940-90	CABLE ASSY 3 WAYS #26 2.5P UL2854 L=110	VOL BD-J6004A/B
5	17-012-3938-90	CABLE ASSY 1 WAY #18 UL1007 L=320MM W/ HEADER	DSP BD-J1002A
6	17-012-3378-90	CABLE ASSY 20 WAYS #28 UL2651 L=240mm PCB MOUNT	DSP BD-J1002A
7	17-012-3173-90	CABLE ASSY 14 WAYS #26 2.5P UL1533 L=100	PRE-OUT BD-J5404B
8	17-012-3176-90	CABLE ASSY 3 WAYS #18 3.96P UL1007 L=80	SEC BD-J5804B
9	17-012-3208-90	CABLE ASSY 4 WAYS #18 3.96p UL1007 L=150	SEC BD-J8101A,J8102A
10	17-012-3209-90	CABLE ASSY 4 WAYS #18 3.96P UL1007 L=170	SEC BD-J8103A+J8104A
11	17-012-3174-90	CABLE ASSY 5 WAYS #18 3.96P UL1007 L=300mm (W/R/B/V/O)	SPK BD-J5403B1-B5
12	17-012-3175-90	CABLE ASSY 4 WAYS #18 3.96P UL1007 L=300mm (W/R/Y/BL)	SPK BD-J5802B1-B4
13	17-012-3329-90	CABLE ASSY 3 WAYS #18 UL1007 3.96P L=420	SPK BD-J8106B1-B3
14	17-012-3330-90	CABLE ASSY 4 WAYS #18 UL1007 3.96P L=440	SPK BD-J8105B1-B4
15	17-012-3171-90	CABLE ASSY 6 WAYS #26 2.5P UL1533 L=200	V6 VD-J2006B
16	17-012-3404-90	CABLE ASSY 6 WAYS #26 2.5P UL1007 L=150	V6 BD-J2005B
17	17-012-3939-90	CABLE ASSY 3 WAYS #26 2.5P UL2468 L=180	ISC BD-J5803B,J5810B
18	17-012-3930-90	CABLE ASSY 4 WAYS #26 2.5P UL1533 L=160	V6 BD-J2008A
19	17-012-3936-90	CABLE ASSY 3 WAYS #26 2.5P UL2854 L=310	CONN#1-J9006A
20	17-012-3937-90	CABLE ASSY 5 WAYS #26 2.5P UL2854/1533 L=230/320	CONN#1-J9004A/J9005A
21	17-012-3938-90	CABLE ASSY 1 WAY #18 UL1007 L=320 W/ HEADER	CONN#1-JP9001A
22	17-012-3941-90	CABLE ASSY 3 WAYS #26 2.5P UL2854 L=130	CONN#1-J9008A/B
23	17-012-3457-90	CABLE ASSY 8 WAYS #26 UL1007 2.5P L=120	CONN#2-J8202B
24	17-012-3458-90	CABLE ASSY 10 WAYS #26 UL1007 2.5P L=80	CONN#2-J8201B
25	17-010-0122-90	FFC CABLE 17 PINS P1.25 L=360 15 & 16 PINS VOID	TUNER-J5404B
26	17-012-2874-90	CABLE ASSY 1 WAY #16 UL1672 BLUE L=100mm	J8015,J8017
27	17-012-2875-90	CABLE ASSY 1 WAY #16 UL 1015 GREEN/YELLOW L=100	CHASSIS GND, AC OUTLET GND
28	17-012-3166-90	CABLE ASSY 20 WAYS #28 UL2651 L=100mm	J2001C,J7001C
29	17-012-3298-90	CABLE ASSY 3 WAYS #18 UL1007 L=420mm	J5402A/B
30	17-012-3346-90	CABLE ASSY 26 WAYS #28 UL2651 L=330mm	J2301C
31	17-012-3942-90	CABLE ASSY 26 WAYS #28 UL2651 L=230mm	J2007C
32	17-012-3948-90	CABLE ASSY 1 WAY #16 UL1672 BROWN L=100	J8013,J8016
33	17-012-3963-90	CABLE ASSY 1 WAY #18 UL1007 L=200 W/ HEADER	TUNER-J6102A
34	17-012-3965-90	CABLE ASSY 3 WAYS #26 2.5P UL2547 L=500	TUNER-J9501A
35	17-012-2924-90	CABLE ASSY 1 WAY AWG18 UL1015 BLACK L=260mm W/RING TERMINAL (RoHS)	MAIN-JP7006B-GND, SEC BD-J8153A-GND

BLOCK DIAGRAM

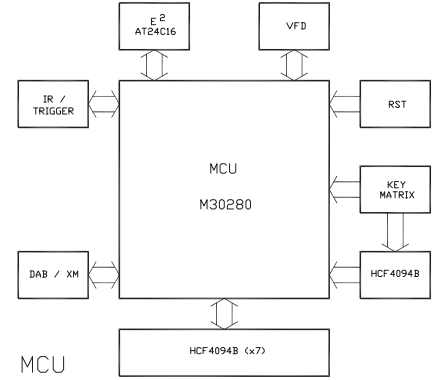
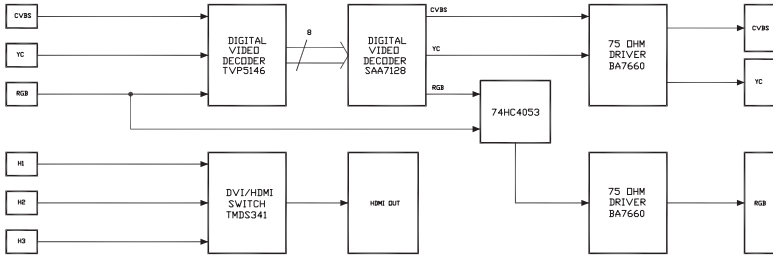
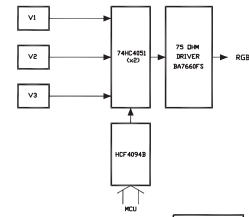
S-VIDEO



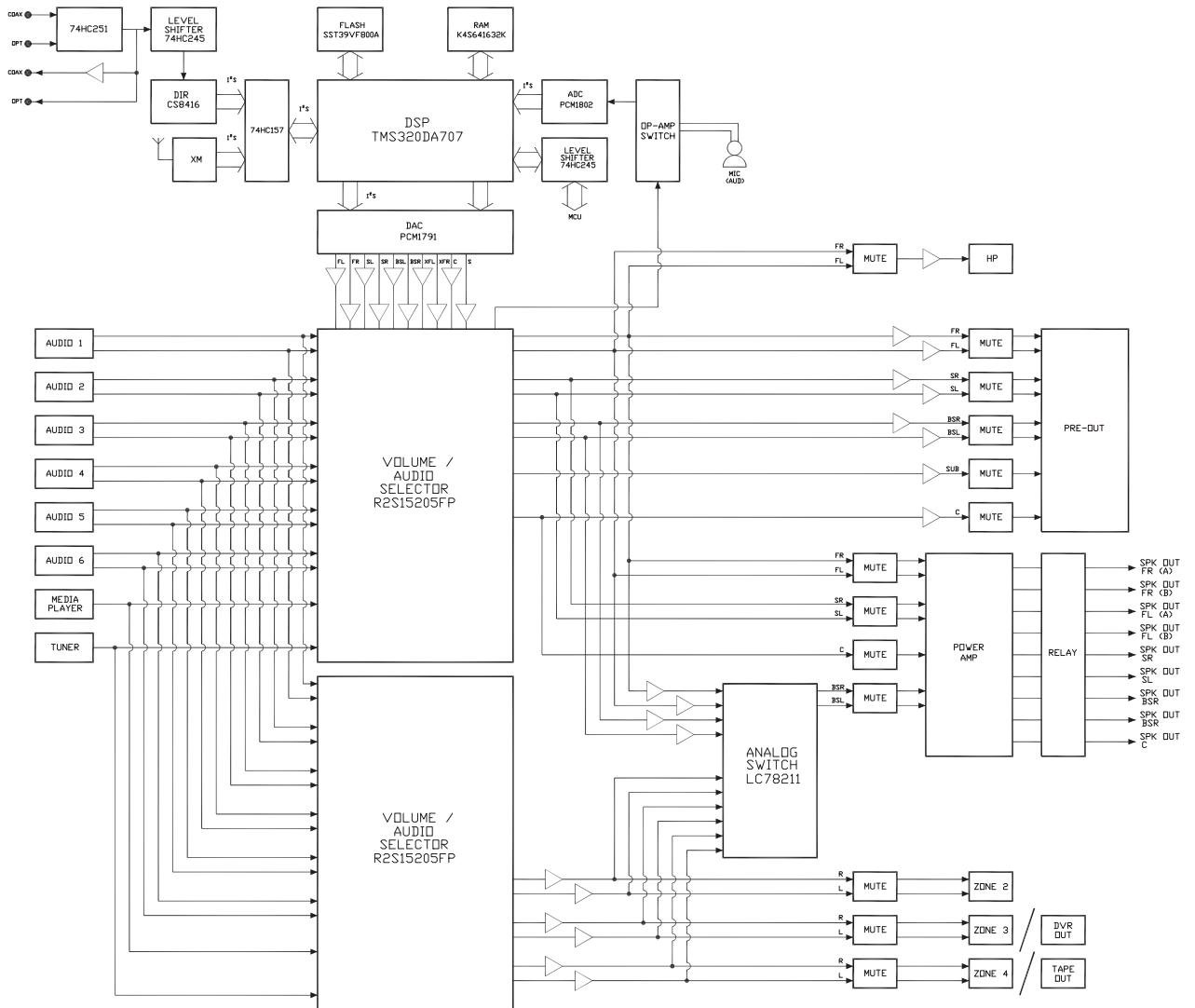
COMPOSITE



COMPONENT



DSP / AUDIO

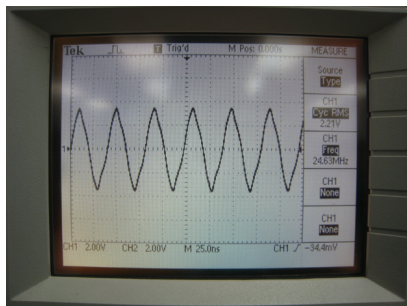


SPECIAL FUNCTION

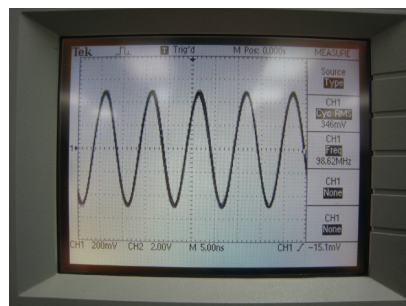
Function	Keys	Notes
Factory Reset AH	Source Down + Front/MP	
Factory Reset C	Source UP + Front/MP	
Toggle IR Channel	Source Down + Power	Only for v1.08 or higher.
Check MCU Version	Source Down + Source UP	For v1.03 or higher, this checks all versions.
Check DSP Version	Source Down + Listening Mode	Only for v1.02 or older.
Check Current Video Mode	Source Down + Tone Controls	
MIC Test	Source Down + Tone Defeat	
VFD Test	Source Down + Display	
PAL/NTSC	Source Down + Memory	
DAB/XM	Source Down + Tuner Band	Must cycle power before change takes effect.
9k/10k	Source UP + Tuner Band	Must reselect AM before change takes effect.
XM 1kHz Test Tone	Tuner Band + Tuner Mode	XM must be selected first.
XM Signal Strength	Tuner Mode for 0.5 seconds	XM must be selected first.
XM Diagnostics Mode	Tuner Mode for 3 seconds	XM must be selected first.
Check DAB Module Version	Tuner Mode for 3 seconds	DAB must be selected first.
Enter Diagnostics Mode	Source Down + Enter	
Diagnostic Mode Down	Source Down + Cursor Right	
Diagnostic Mode Up	Source Down + Cursor Left	
Power Off All Zones	Power Toggle or Power Off for 3 seconds	

DETAILS & WAVEFORMS ON SYSTEM TEST & DEBUGGING

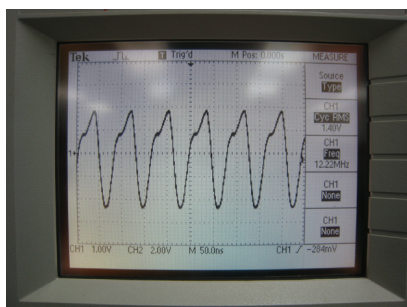
U1001 Pin 17 - X1001C output, 24.576MHz



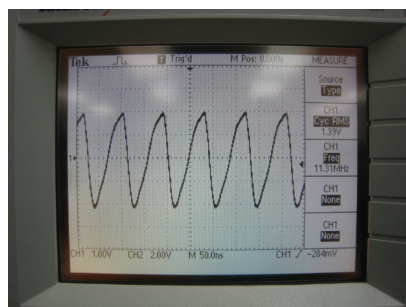
U1001 Pin 70 - Clock for external memory, 100MHz



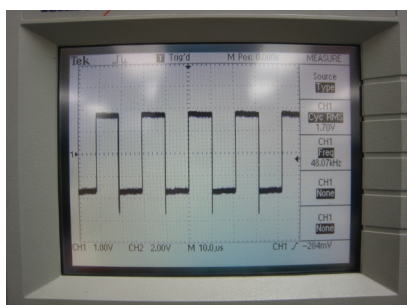
U1001 Pin 2 - Master clock (Analog), 12.288MHz



U1001 Pin 2 - Master clock (PCM), 11.2896MHz



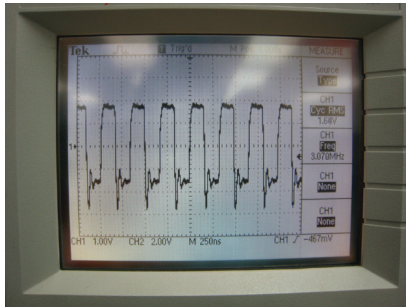
U1001 Pin 12 - Left/Right clock (Analog), 48kHz



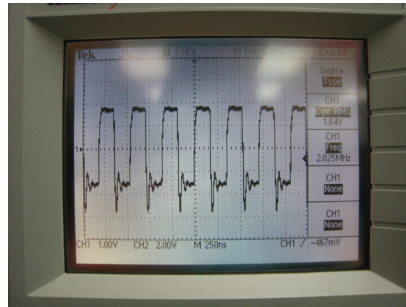
U1001 Pin 12 - Left/Right clock (PCM), 44.1kHz



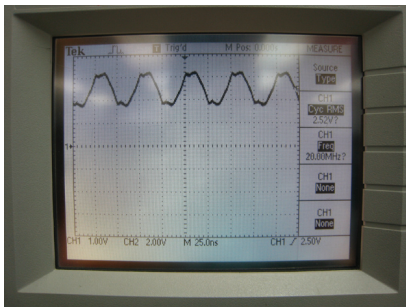
U1001 Pin 9 - Serial clock (Analog), 3.072MHz



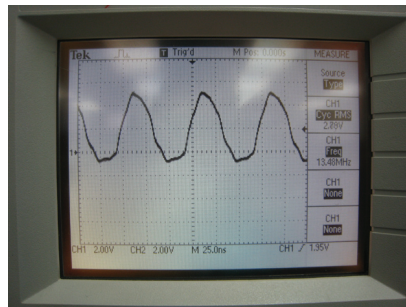
U1001 Pin 9 - Serial clock (PCM), 2.8224MHz



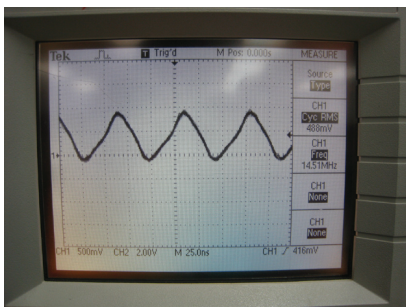
U2001 Pin 12 - X2001A output, 20.000MHz



U4520 Pin 7 - X4503 output, 13.500MHz

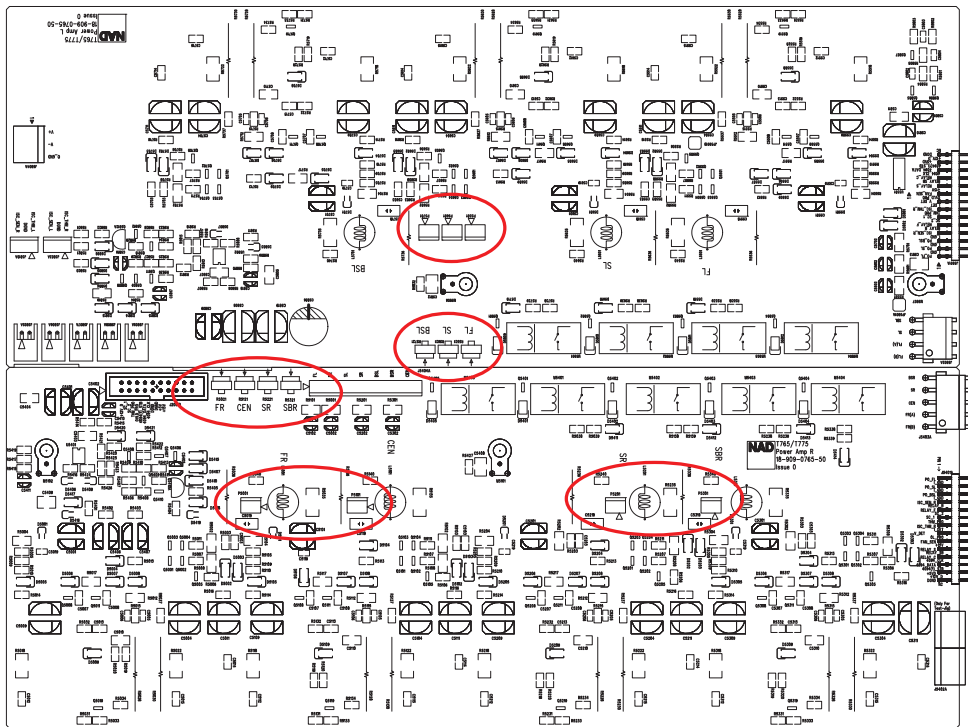


U4507 Pin 75 - X4501 output, 14.31818MHz

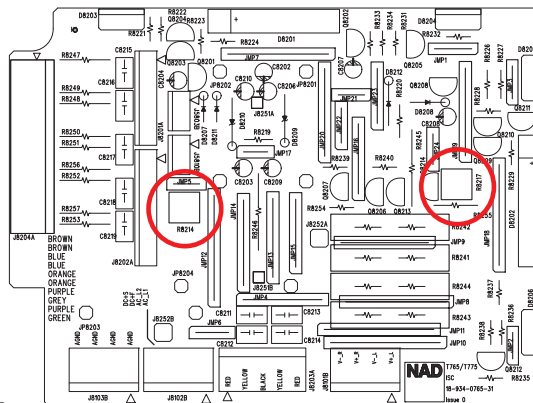


ADJUSTMENT POINT DIAGRAM

LEFT/RIGHT CHANNEL AMPLIFIER BOARD



SECONDARY / ISC BOARD



AMPLIFIER ADJUSTMENT

Idle Current

1. Rotate R5221 fully clockwise.
2. Connect DC millivoltmeter to P5501 (i.e. Across half of R5228 and R5530, 0.22 Ohm resistor).
3. Turn on the unit.
4. Adjust R5221 for 2mV +/- 0.2mV reading on voltmeter.
5. Leave power on for at least 5 min, and check for idle current again.
6. Repeat for other channels.

CHANNEL	JUMPER	VR
FL	P5501	R5521
FR	P5001	R5021
C	P5101	R5121
SL	P5601	R5621
SR	P5201	R5221
BS	P5701	R5721
BSR	P5301	R5321

ISC Adjustment

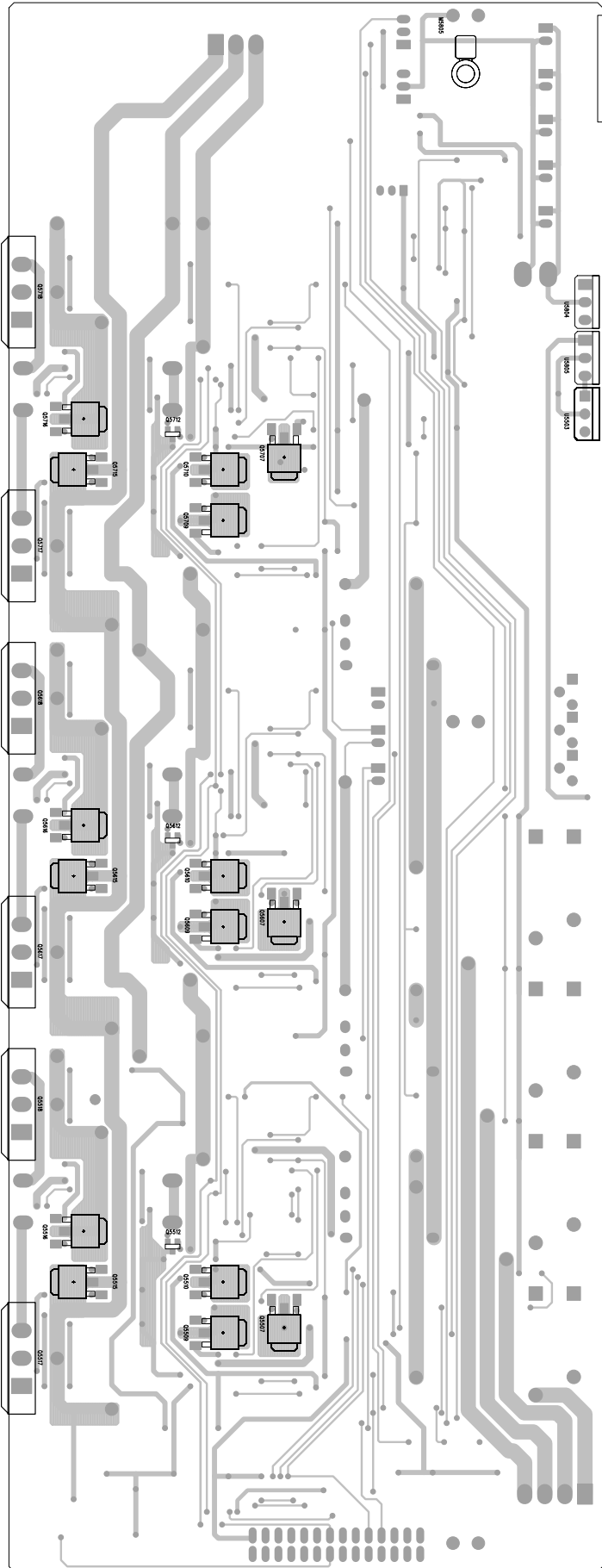
- A. Rotate R8214 fully clockwise.
- B. Use 500mV, 1kHz sine wave, EXT7.1 input, 8ohm loading to all channels.
- C. Increase the output power of FL/SL/BSL channels to 80W(25.3V).
- D. Note the THD readings should be larger than 0.2%.
- E. Rotate R8214 anti-clockwise slowly until the THD readings is below 0.1%.
- F. Repeat for R8217 using FR/SR/BSR/C channels.

PCB LAYOUT POWER AMPLIFIER LEFT_CH BOARD-COPPER SIDE

First Production runs:

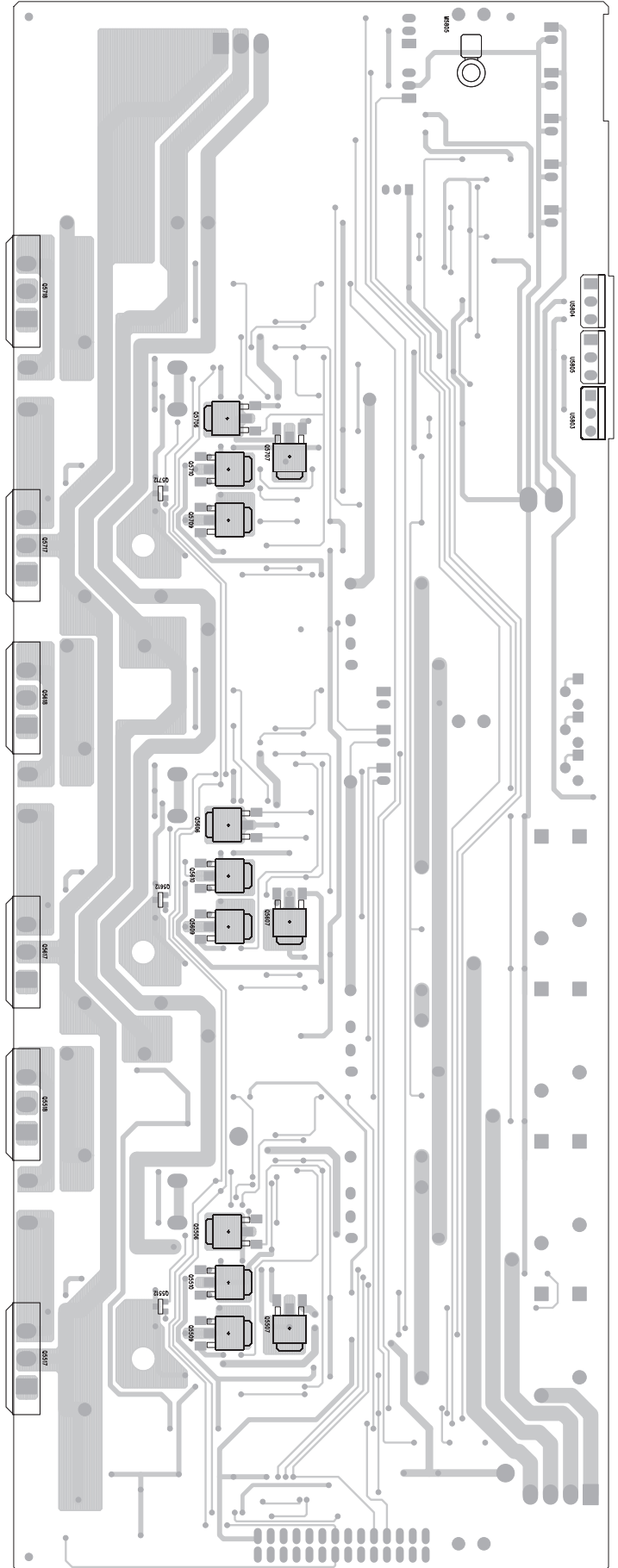
T76T765G00001-T76T765G00650 &

T76T765T00651-T76T765T00950



Production runs:

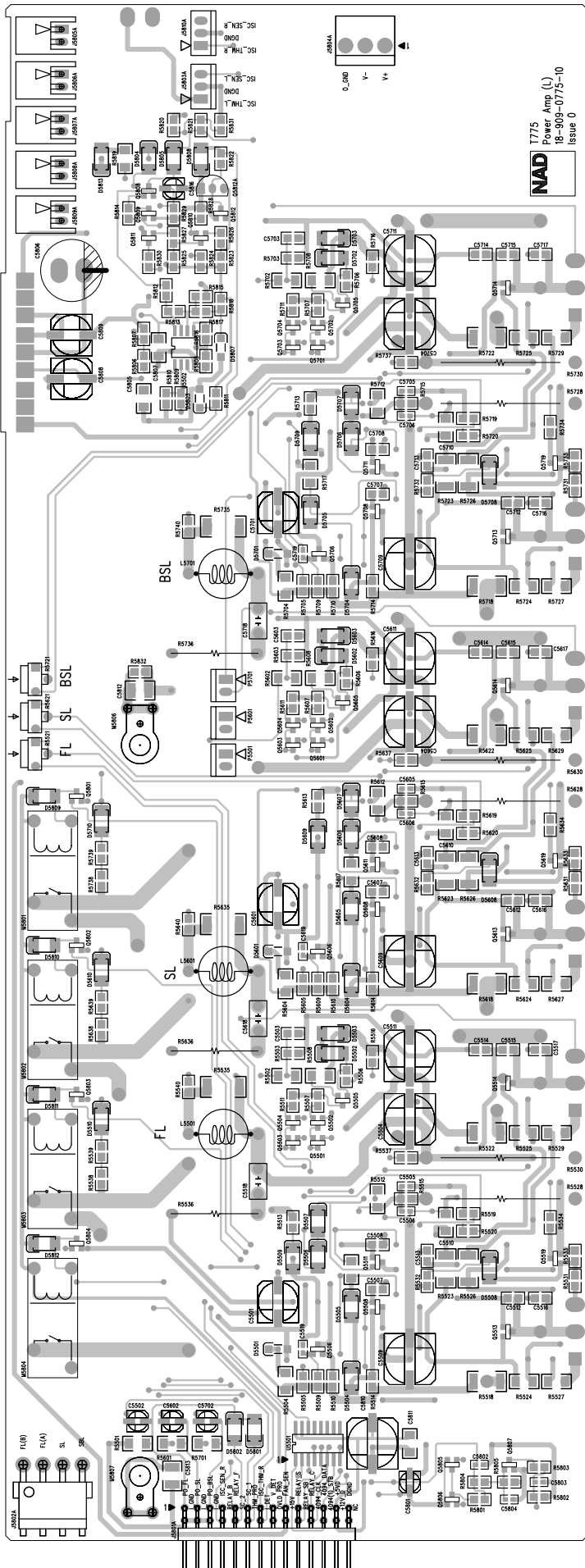
T76T765T00951 and above



LEFT_CH BOARD - COMPONENT SIDE

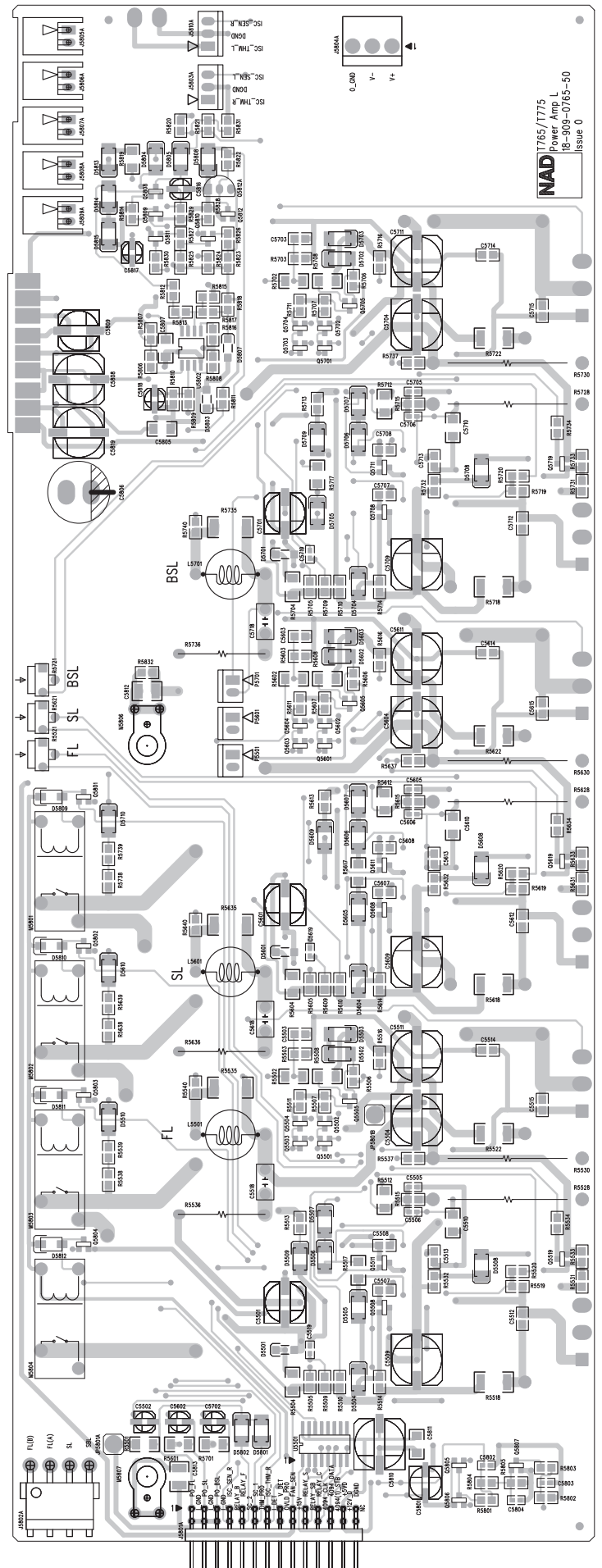
First Production runs:

T76T765G00001-T76T765G00650 &
T76T765T00651-T76T765T00950



Production runs:

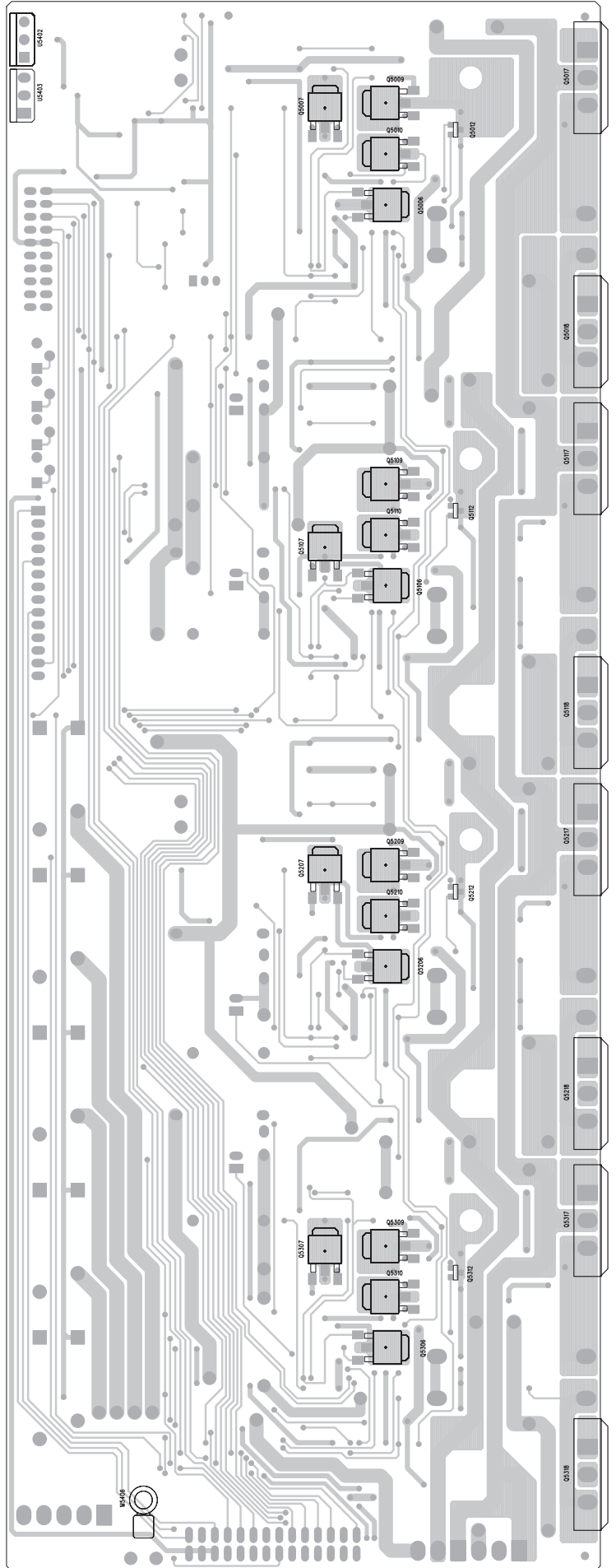
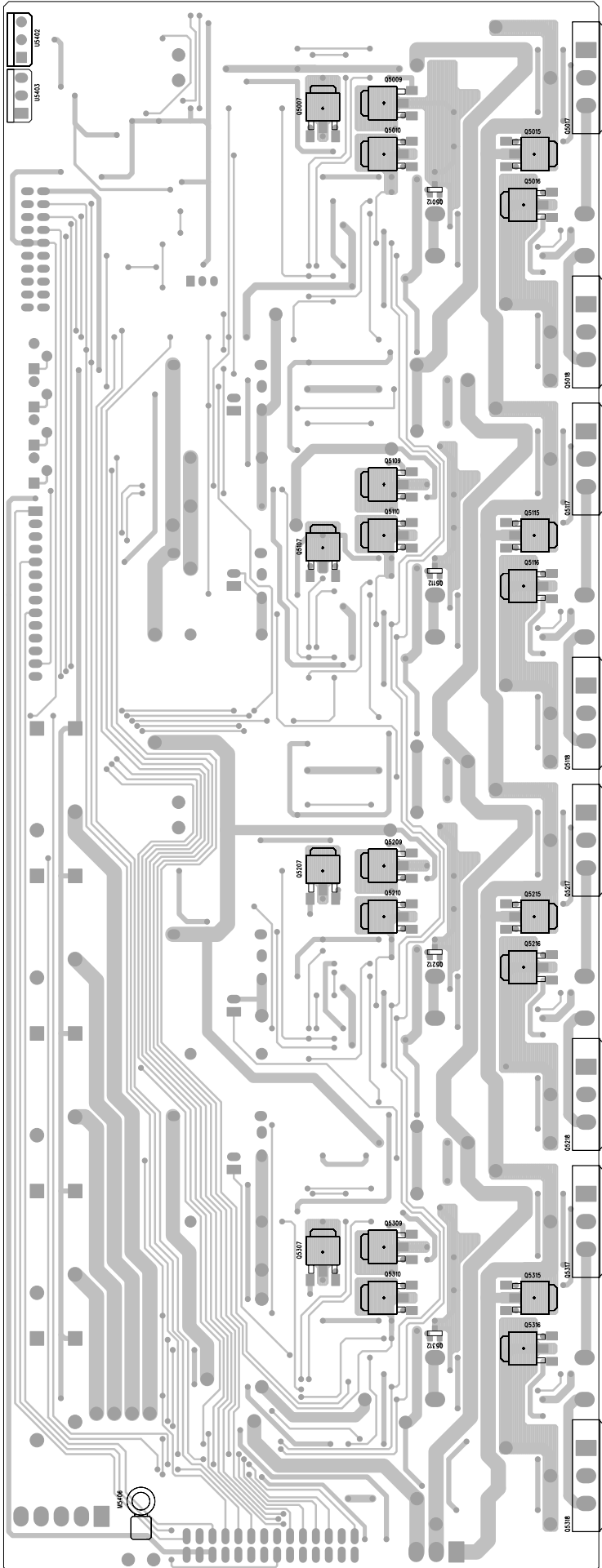
T76T765T00951 and above



RIGHT_CH BOARD-COPPER SIDE

First Production runs:
T76T765G00001-T76T765G00650 &
T76T765T00651-T76T765T00950

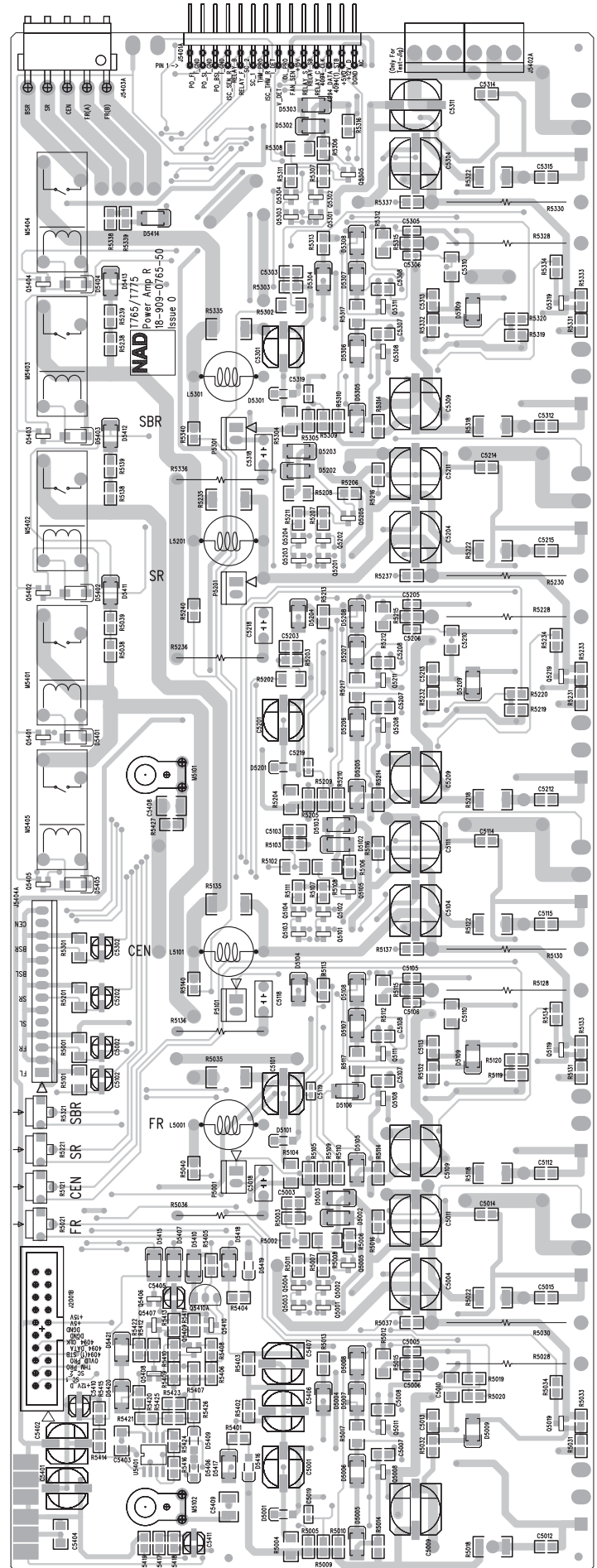
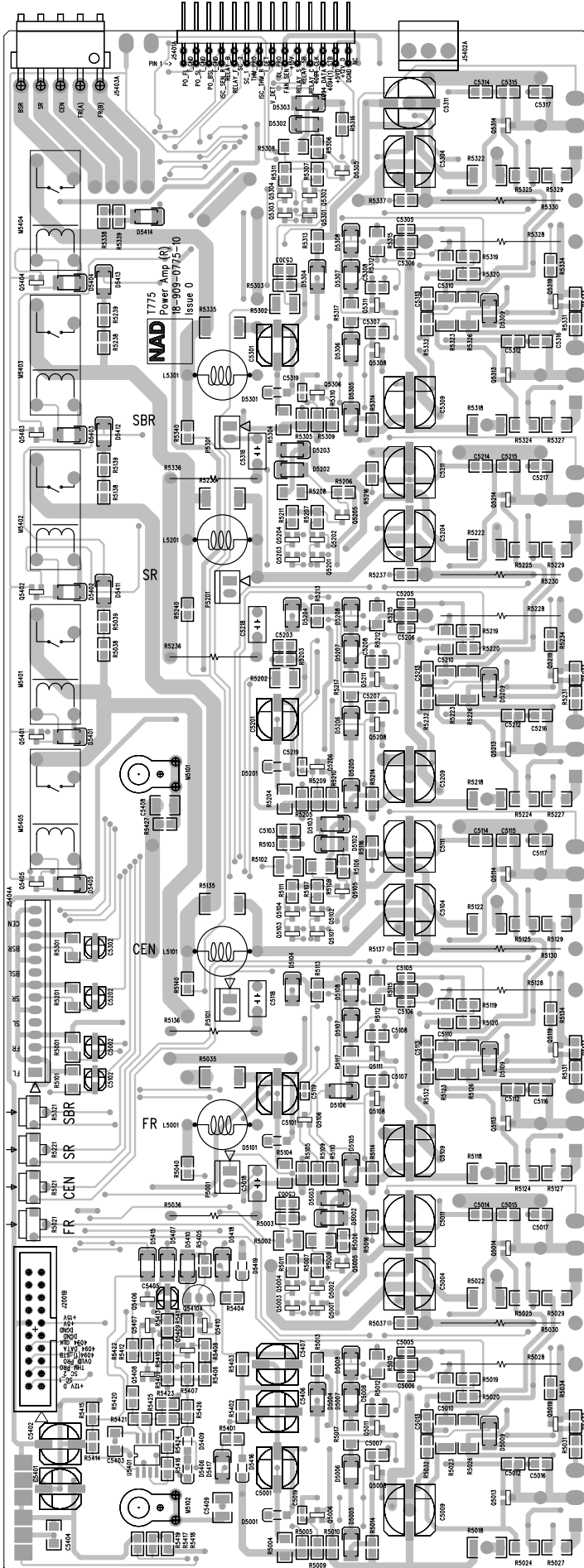
Production runs:
T76T765T00951 and above



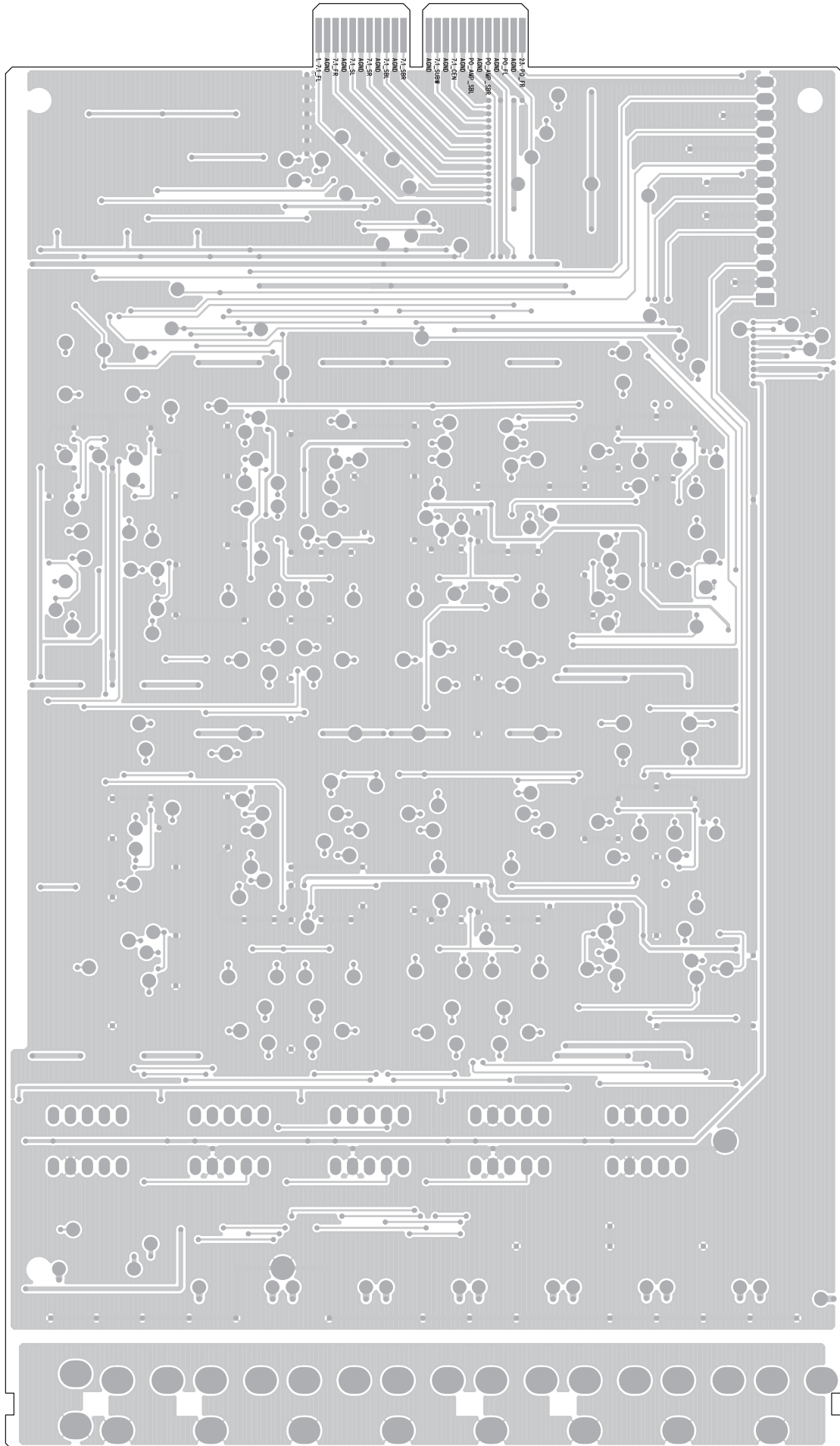
RIGHT_CH BOARD-COMPONENT SIDE

First Production runs:
T76T765G0001-T76T765G00650 &
T76T765T00651-T76T765T00950

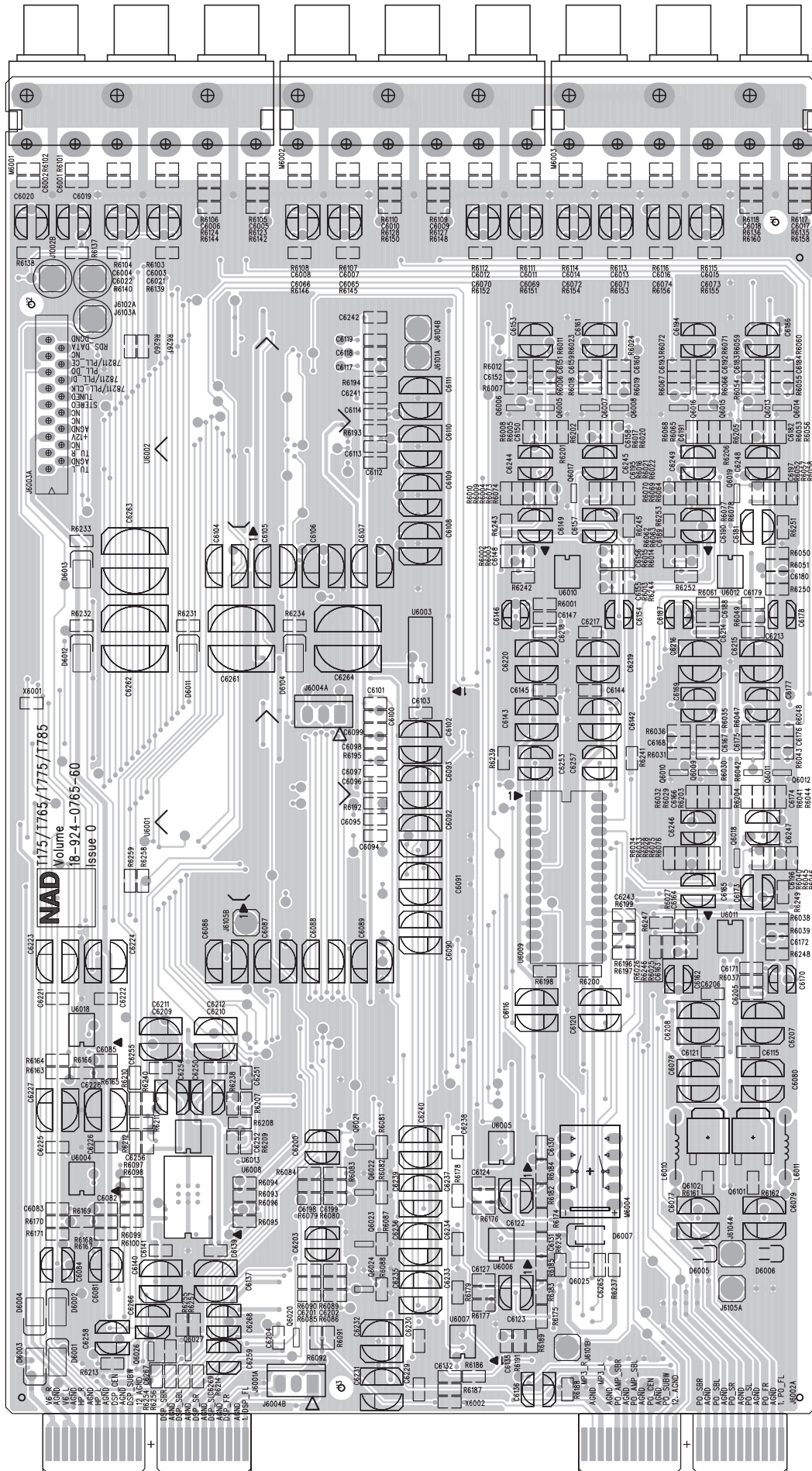
Production runs:
T76T765T00951 and above



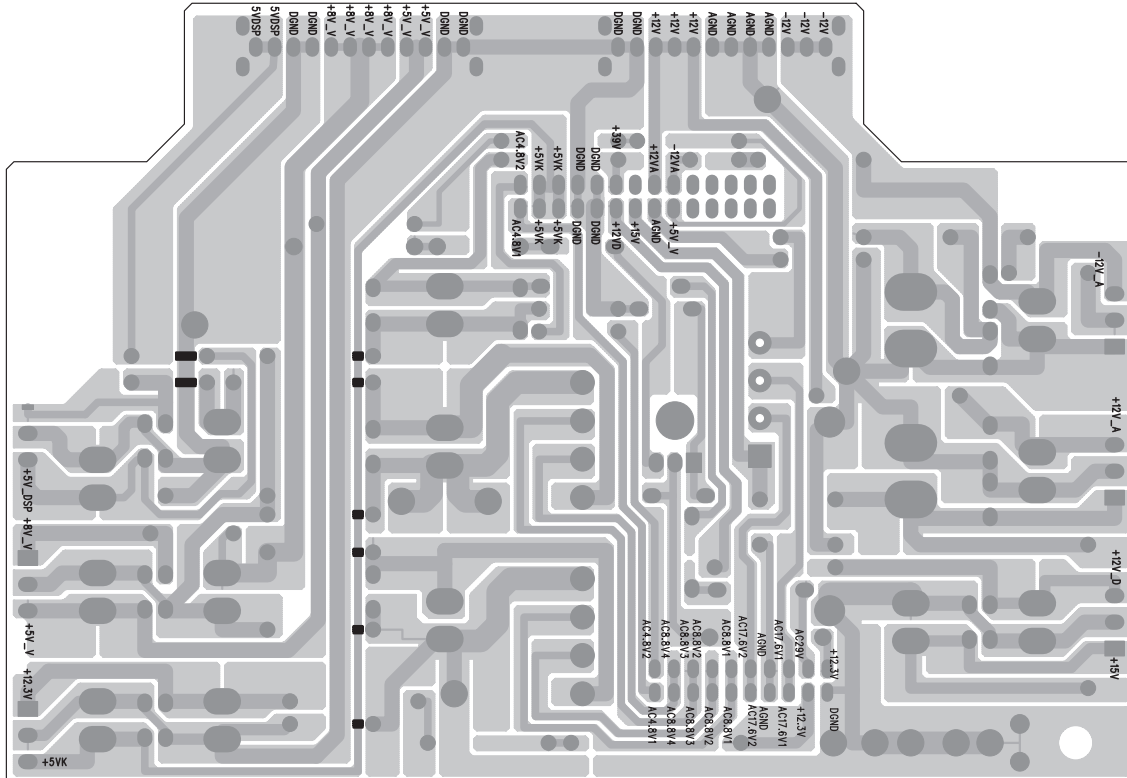
PRE-OUT BOARD- COPPER SIDE



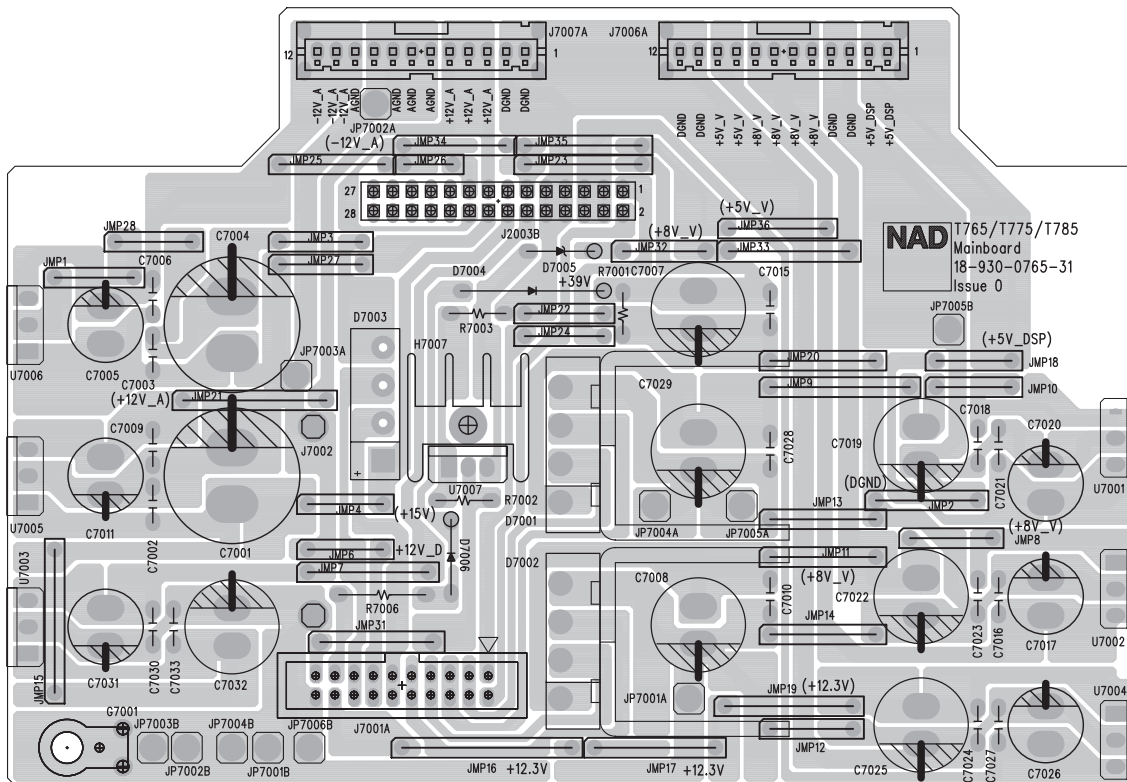
VOLUME BOARD - COMPONENT SIDE



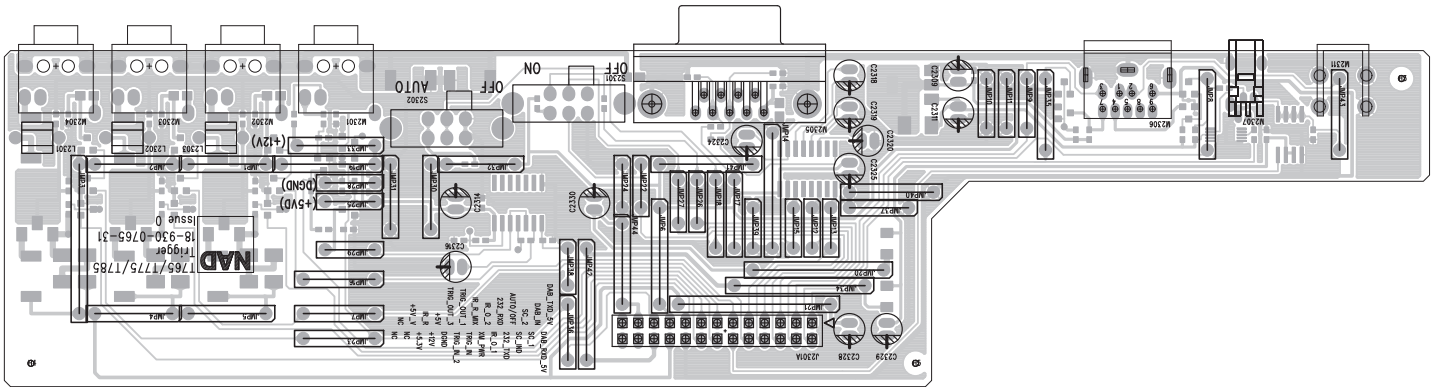
MAIN BOARD-COPPER SIDE



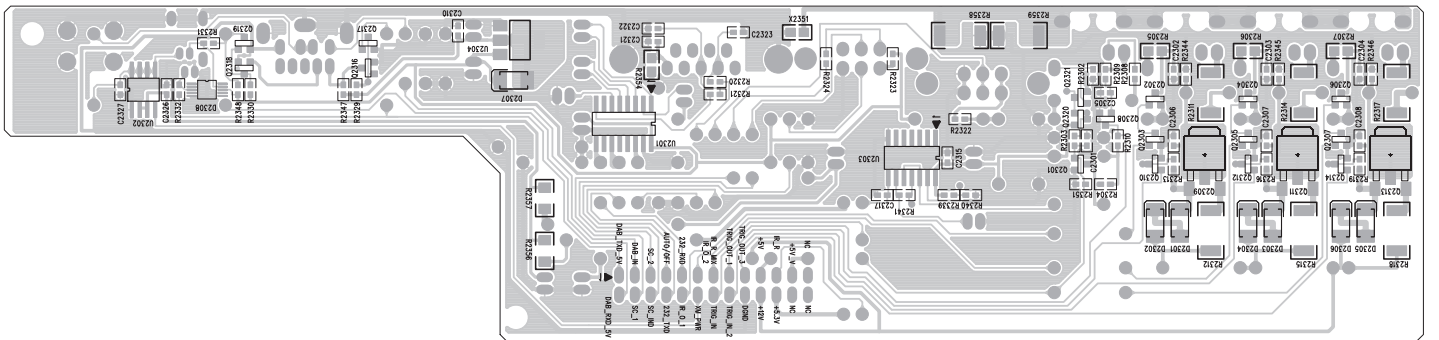
MAIN BOARD -COMPONENT SIDE



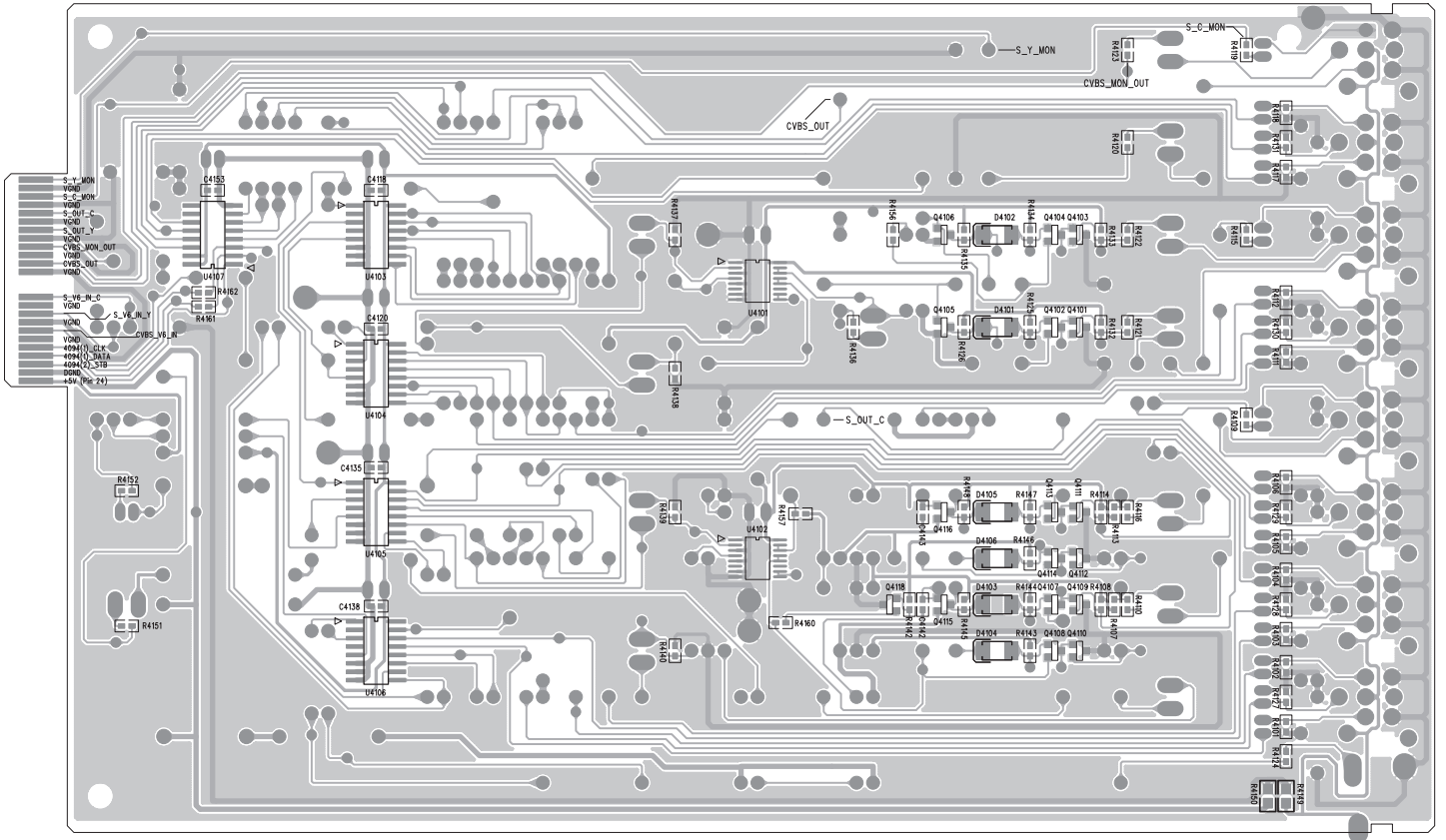
TRIGGER BOARD - COMPONENT SIDE



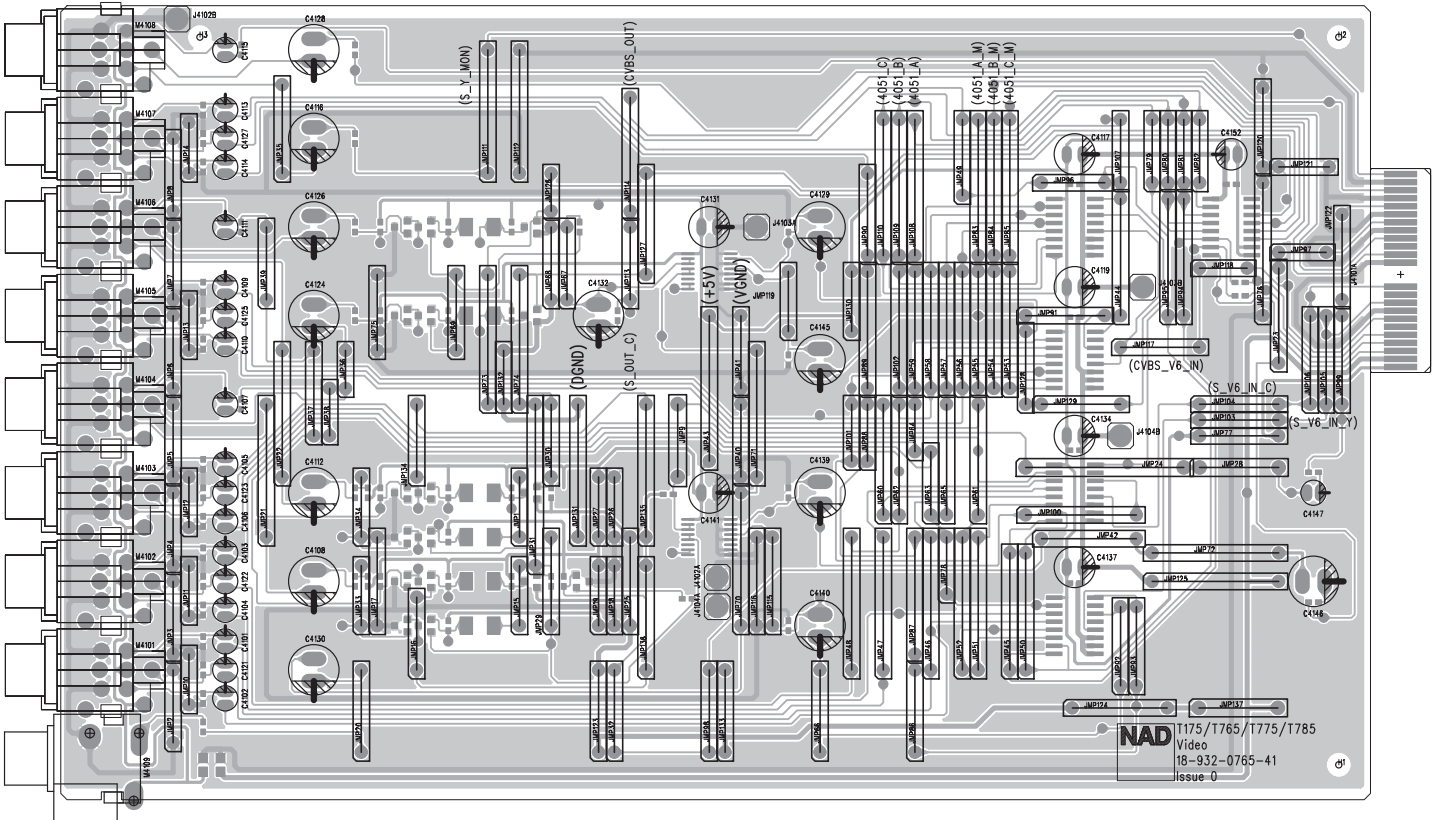
TRIGGER BOARD - COPPER SIDE



VIDEO BOARD - COPPER SIDE

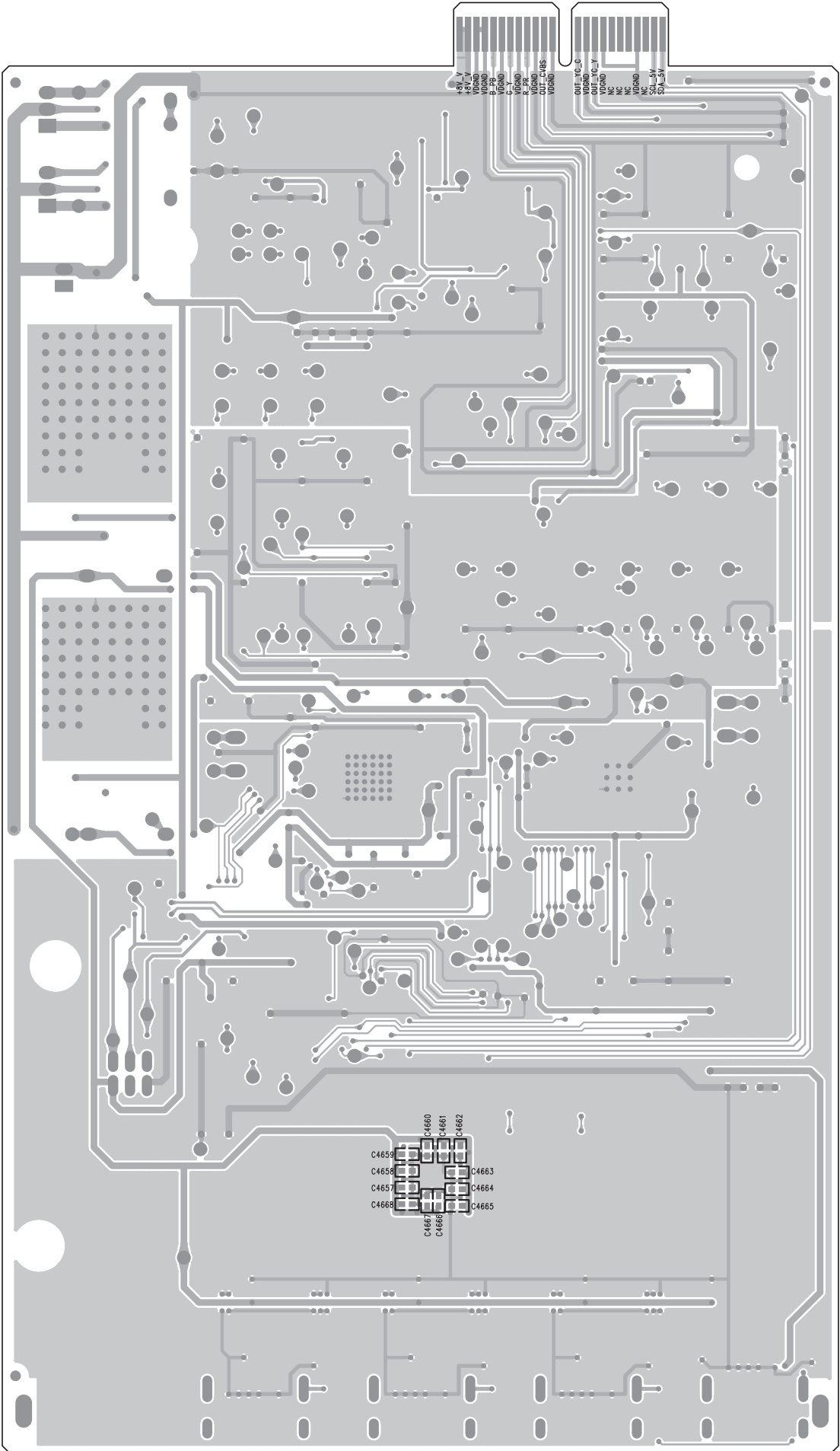


VIDEO BOARD - COMPONENT SIDE

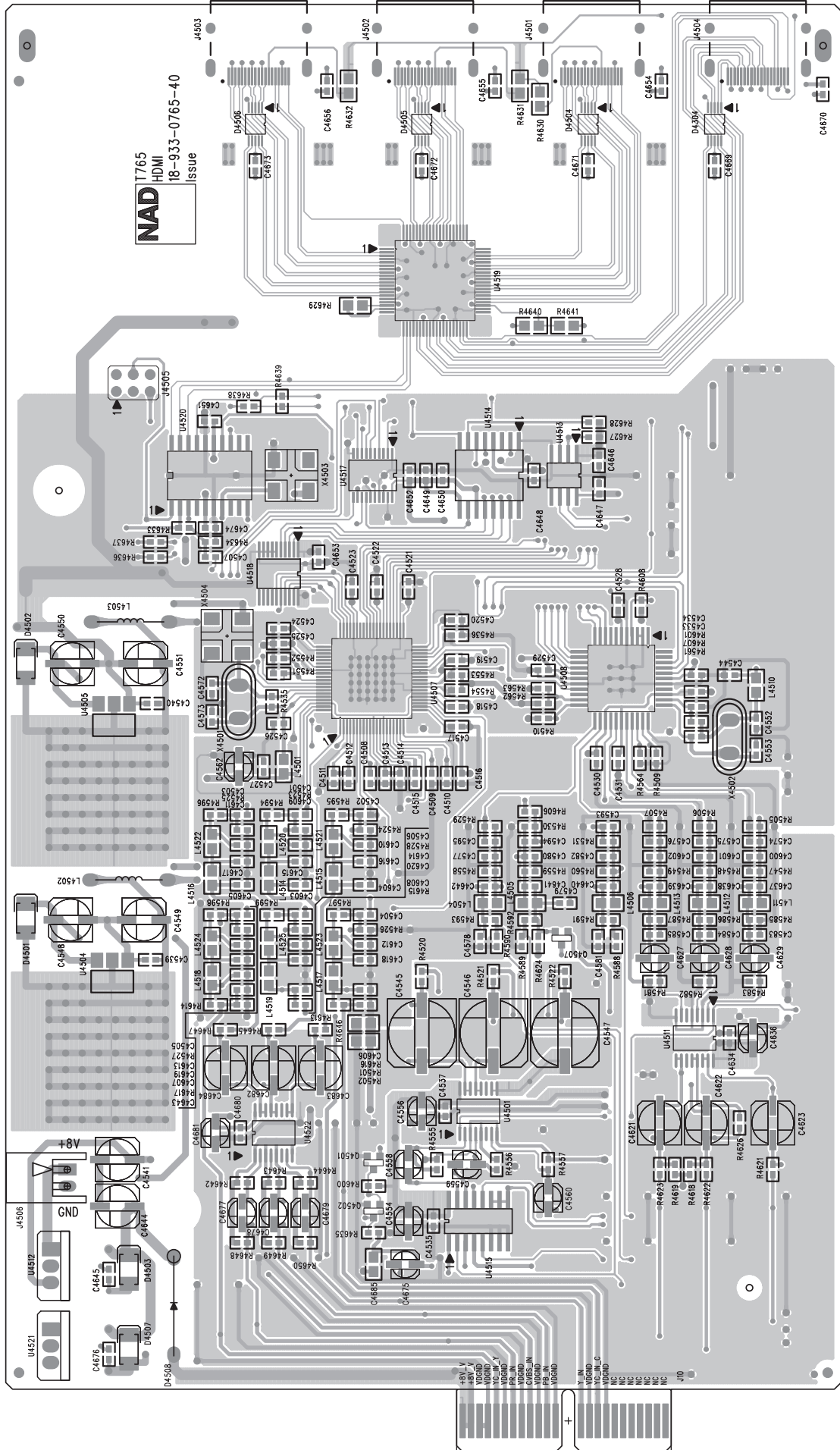


NAD 1175/1765/1775/1785
Video
18-932-0765-41
Issue 0

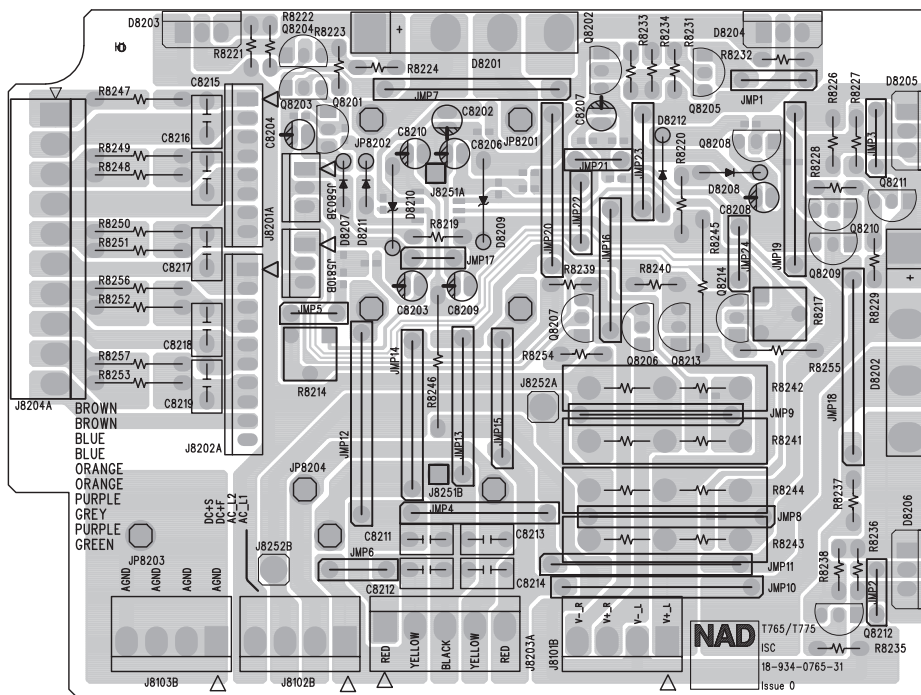
HDMI BOARD-COPPER SIDE (FROM SN T79T765T02405)



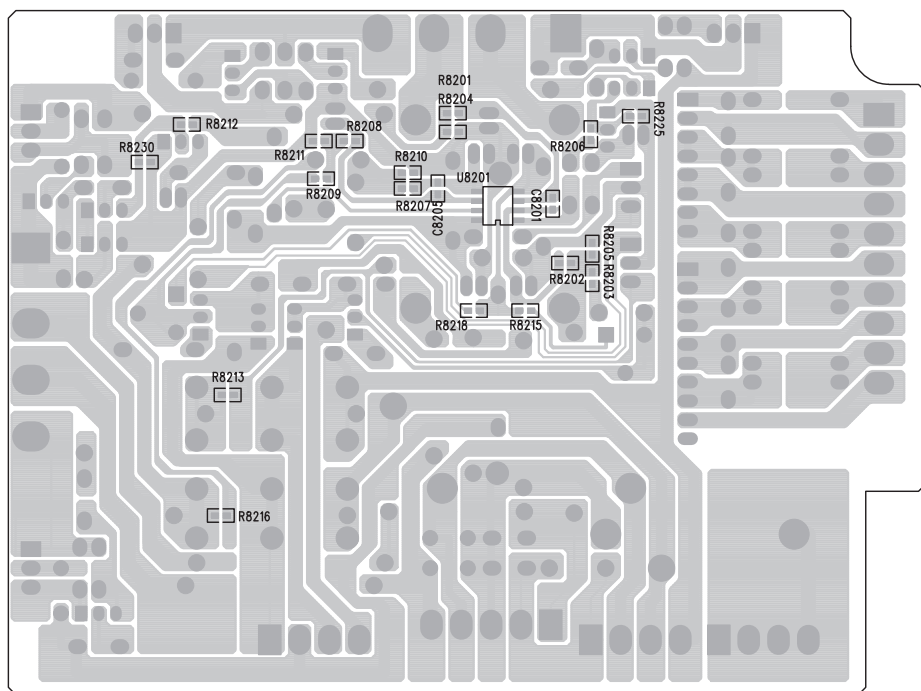
HDMI BOARD-COMPONENT SIDE (FROM SN T79T765T02405)



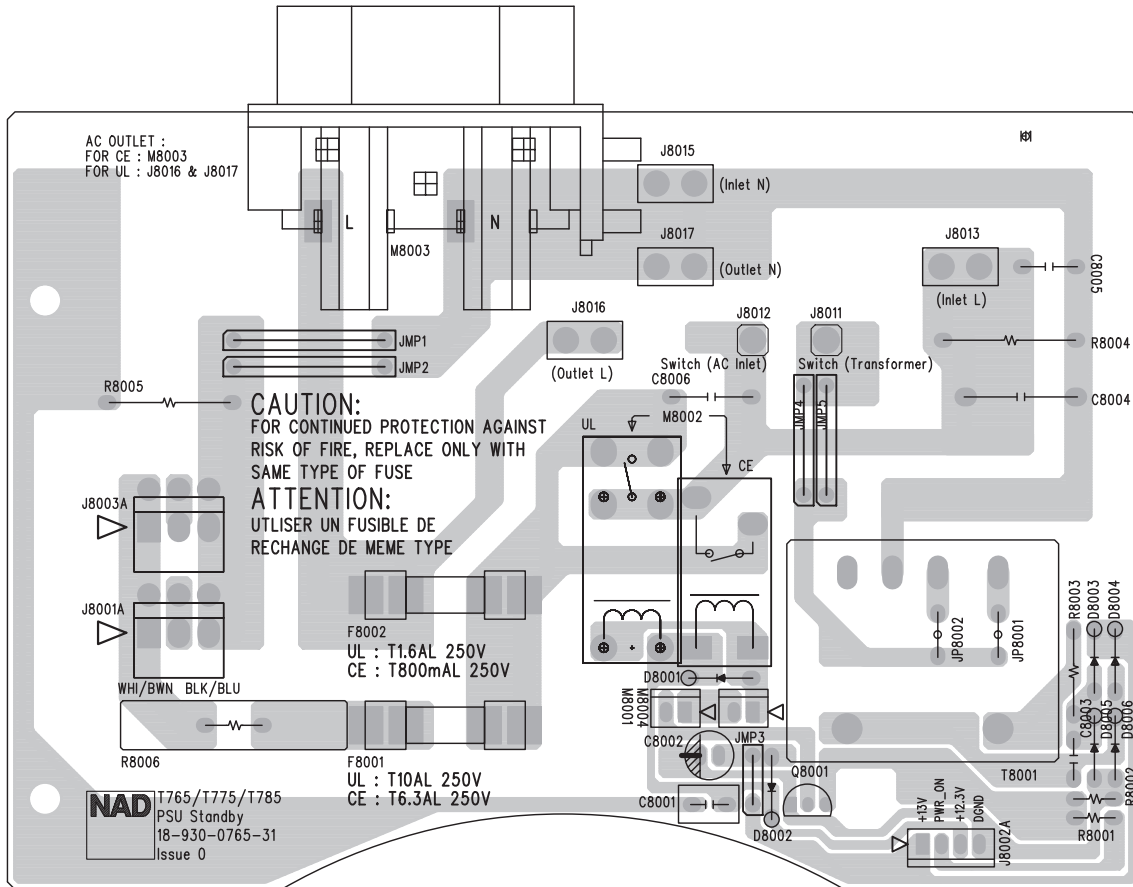
PSU-ISC BOARD-COMONENT SIDE



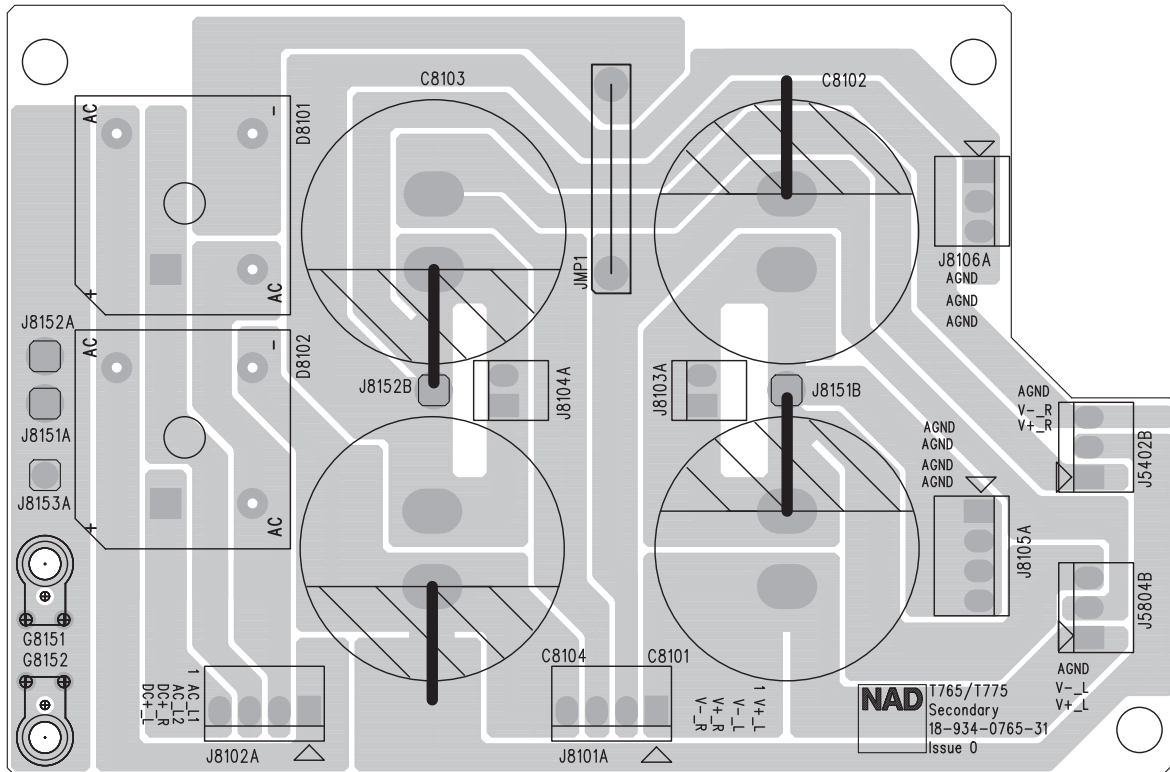
PSU-ISC BOARD-COPPER SIDE



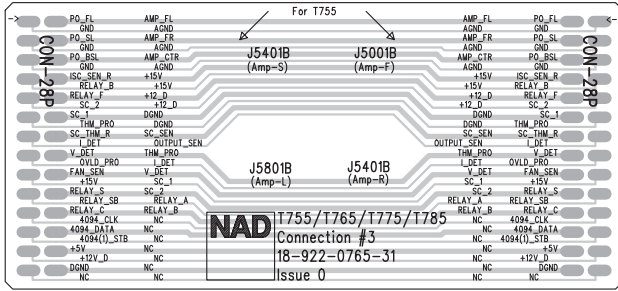
PSU-STD BOARD-COMPONENT SIDE



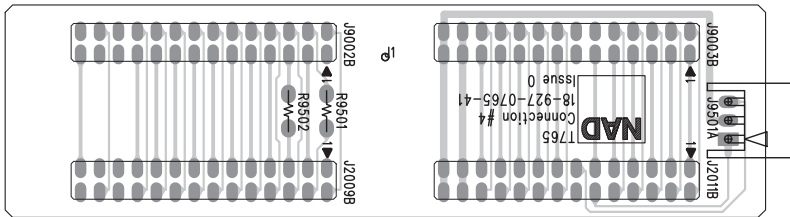
PSU-SECONDARY BOARD-COMPONENT SIDE



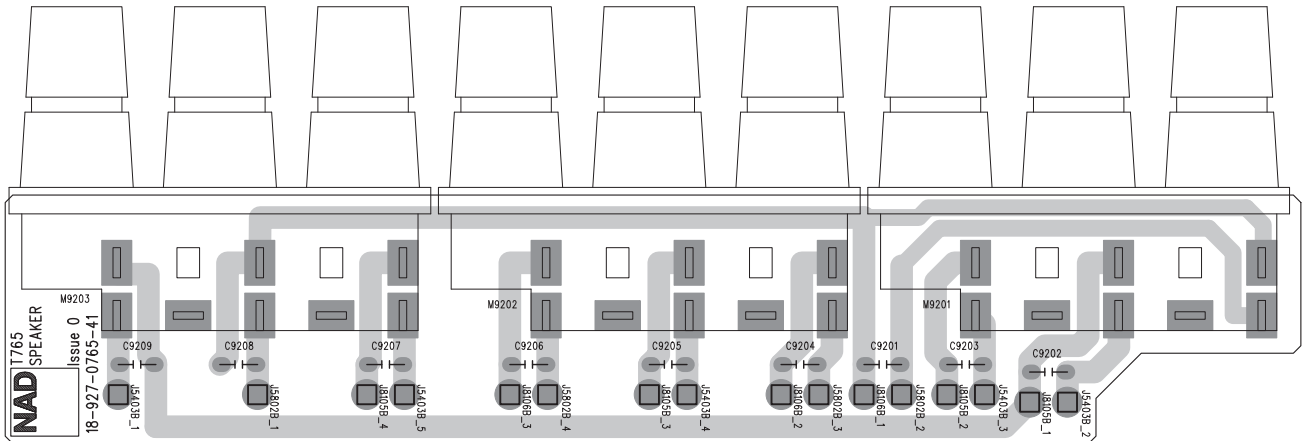
CONNECTOR-3 BOARD-COMPONENT SIDE



CONNECTOR-4 BOARD-COMPONENT SIDE



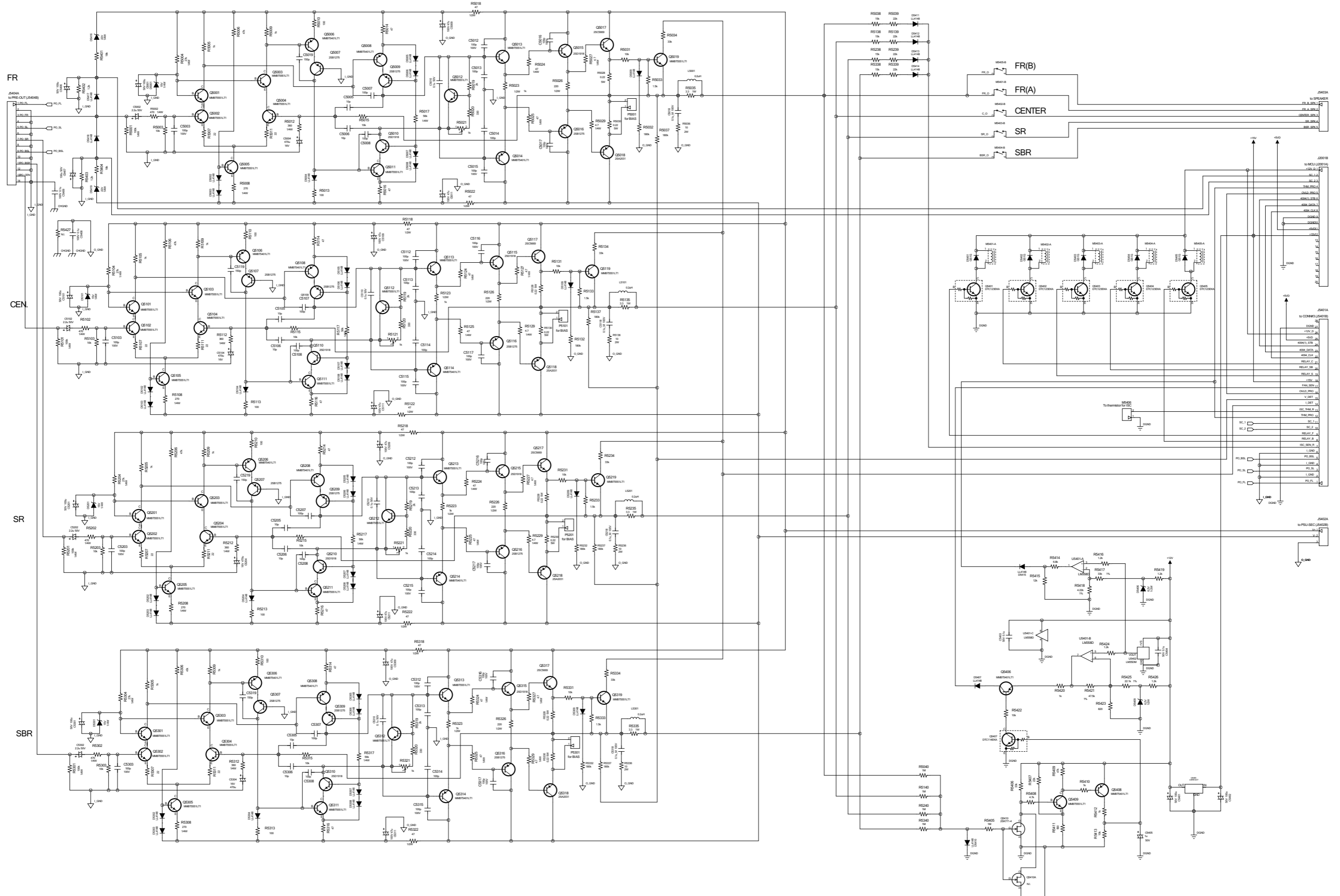
SPEAKER BOARD-COMPONENT SIDE



SCHEMATIC DIAGRAM

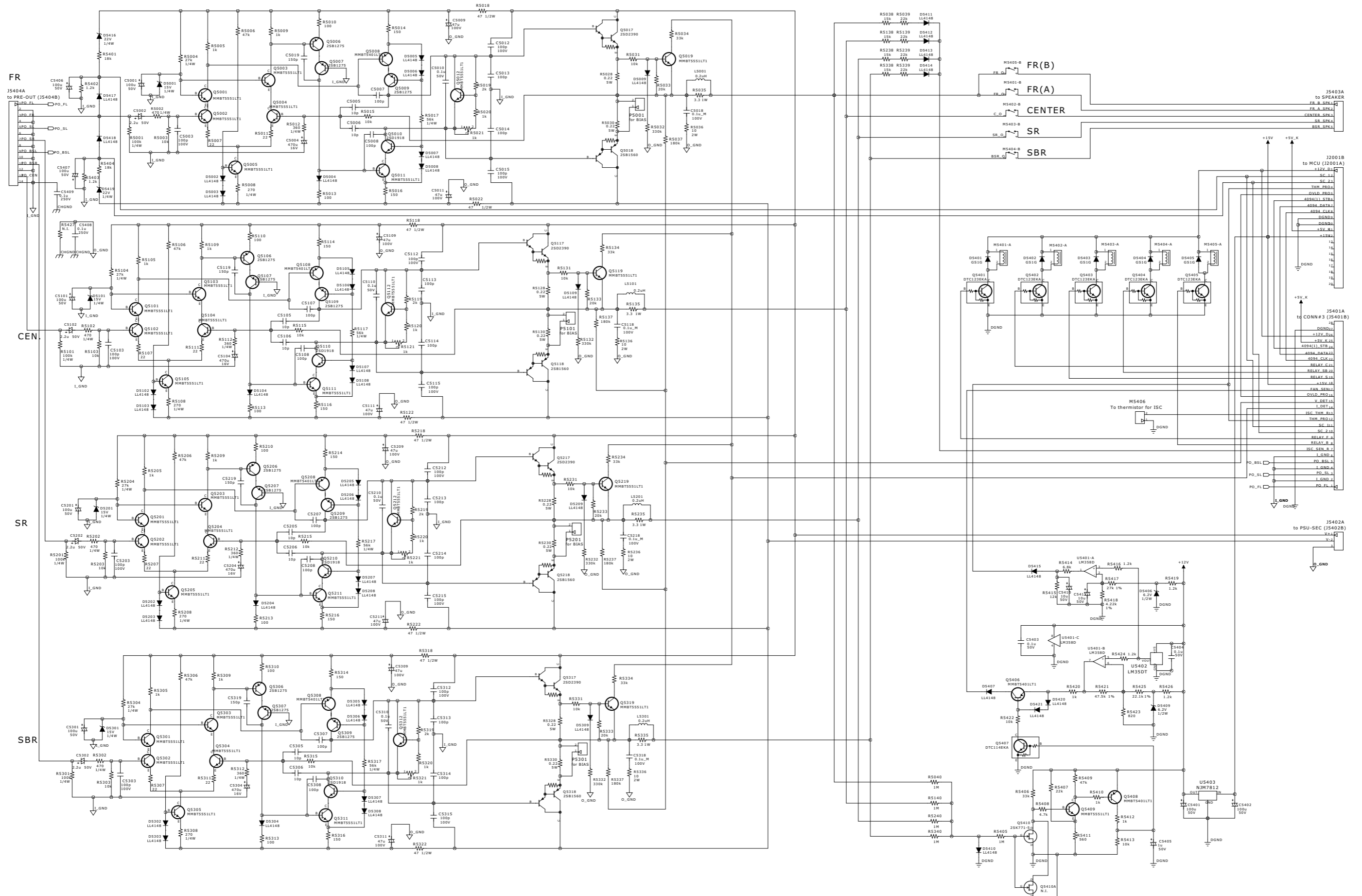
POWER AMPLIFIER RIGHT-CH

First Production runs:
T76T765G0001-T76T765G00650 &
T76T765T00651-T76T765T00950

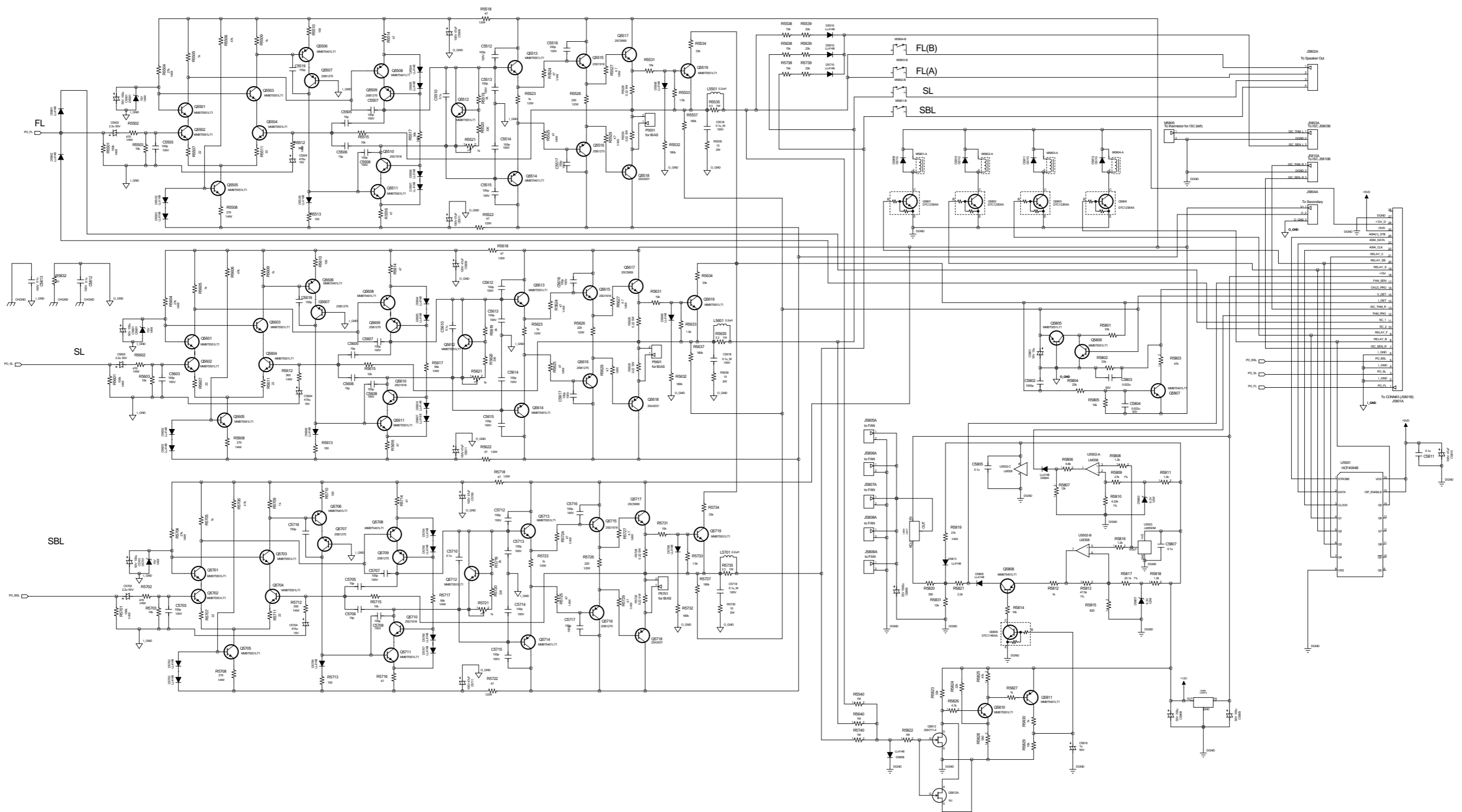


SCHEMATIC DIAGRAM Production runs:

POWER AMPLIFIER RIGHT-CH T76T765T00951 and above

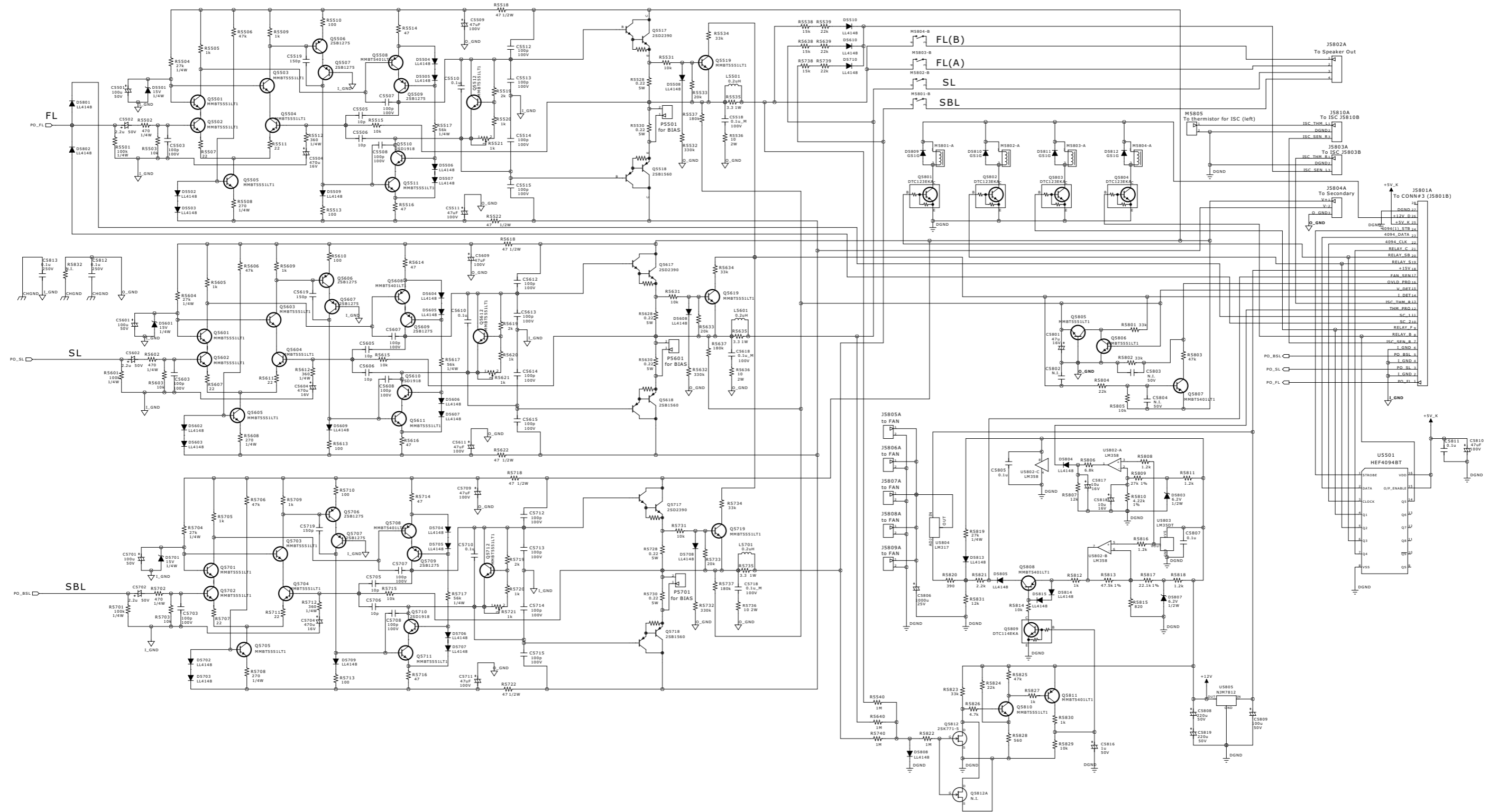


POWER AMPLIFIER LEFT-CH First Production runs:
 T76T765G0001-T76T765G00650 &
 T76T765T00651-T76T765T00950

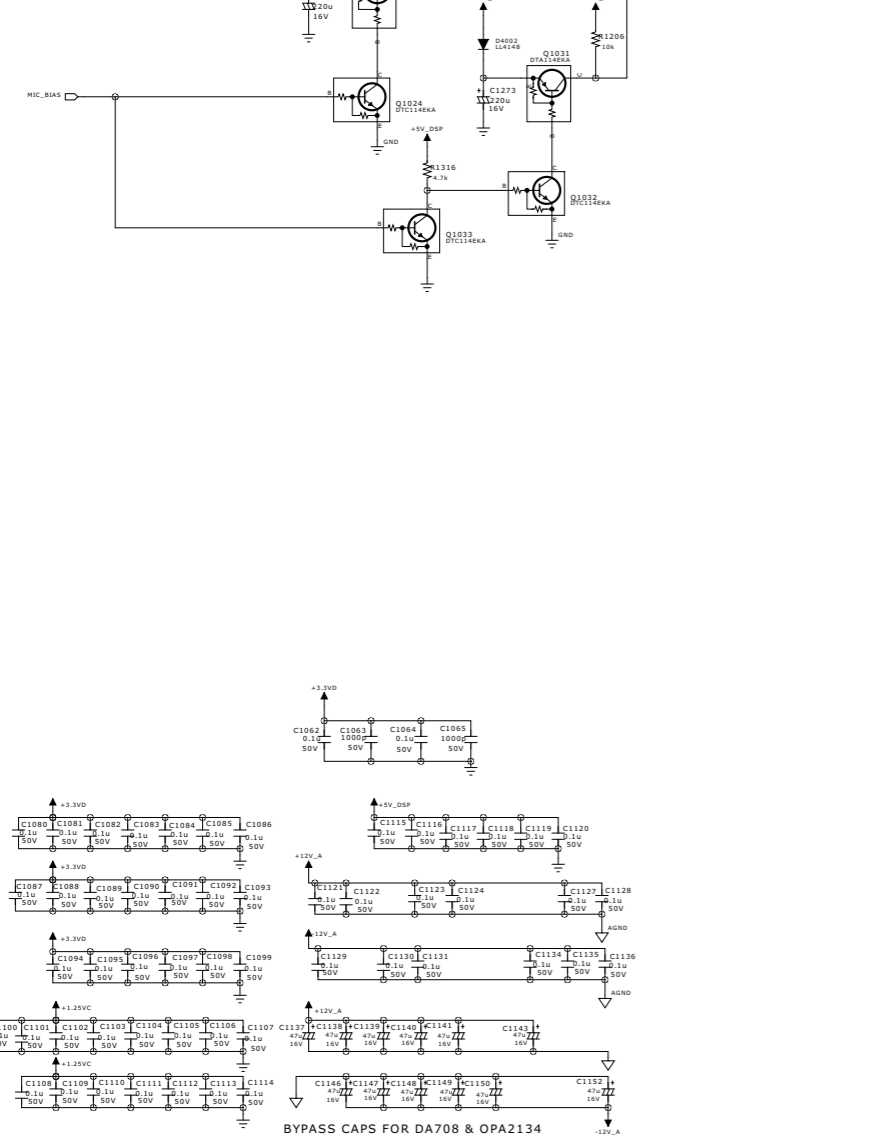
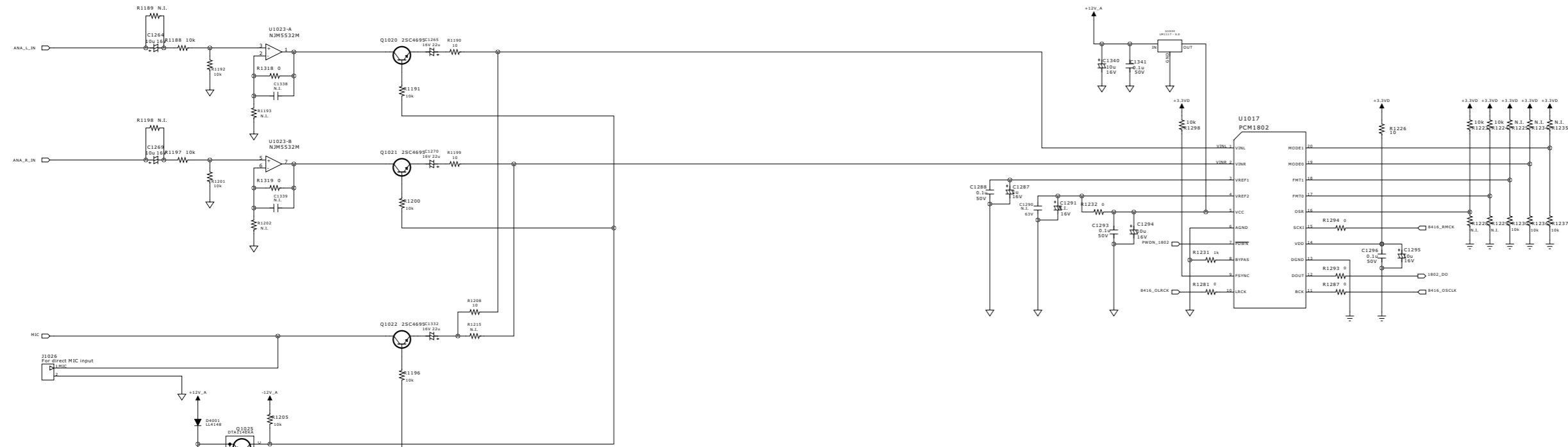


POWER AMPLIFIER LEFT-CH Production runs:

T76T765T00951 and above



DSP-3



BYPASS CAPS FOR DA708 & OPA2134

0.1µF - Pin 8, 18, 25, 35, 44, 53, 57, 65, 77, 83, 90, 101, 121, 126, 132, 131, 42, 50, 60, 68, 75, 81, 92, 103, 112, 125, 138 (For DA708, total 28caps)

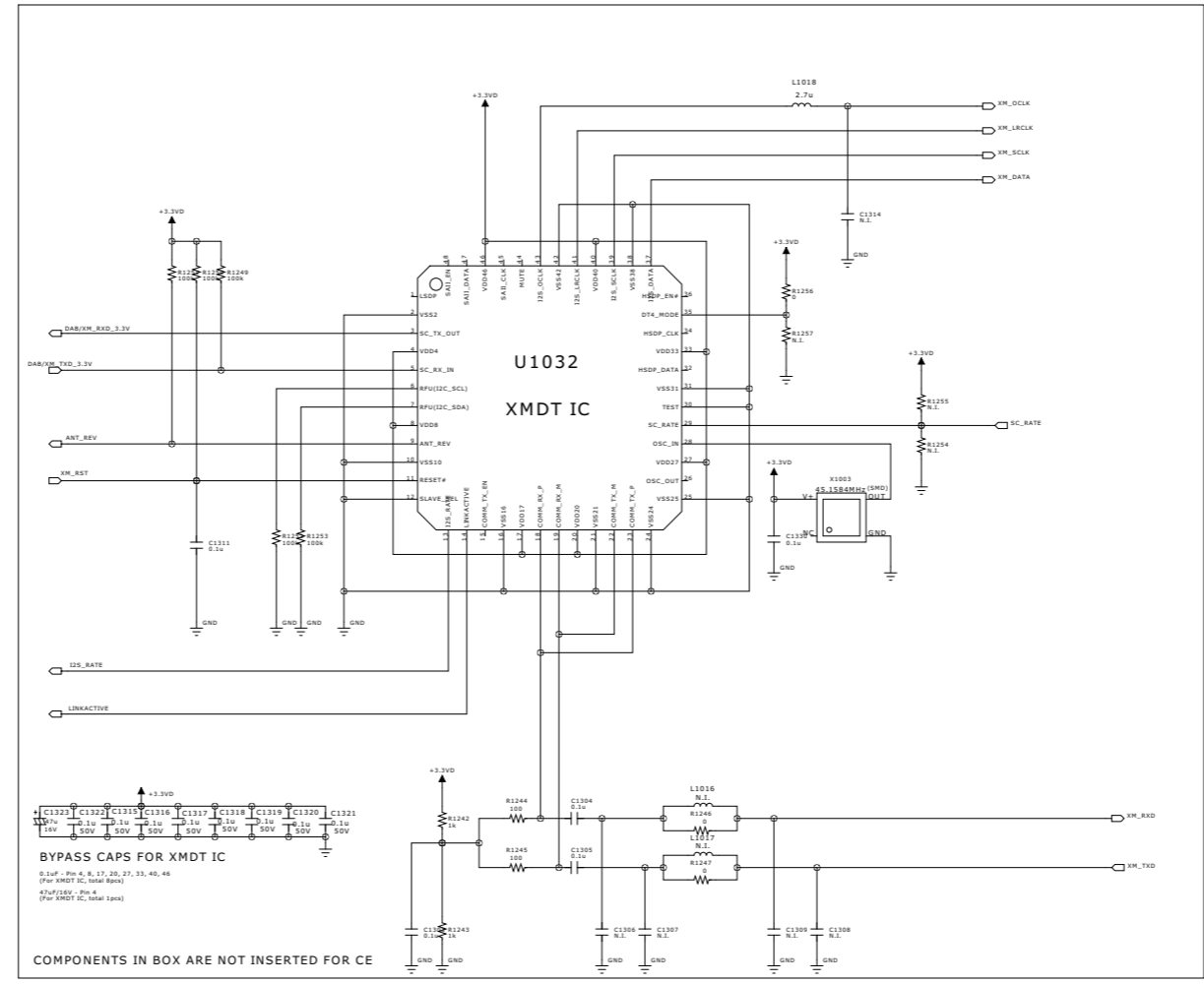
0.1µF - Pin 6, 4 (For OPA2134, total 14caps)

0.1µF - Pin 1, 3, 9, 14, 37, 48, 49 (For OPA2134, total 7caps)

47µF/16V - Pin 5, 6 (For OPA2134, total 14caps)

0.1µF - Pin 37, 42 (For OPA2134, total 2caps)

1000µF - Pin 37, 42 (For OPA2134, total 2caps)



BYPASS CAPS FOR XMDT IC

0.1µF - Pin 8, 17, 20, 27, 33, 40, 46 (For XMDT IC, total 9caps)

47µF/16V - Pin 4 (For XMDT IC, total 1cap)

COMPONENTS IN BOX ARE NOT INSERTED FOR CE

CONNECTOR-3

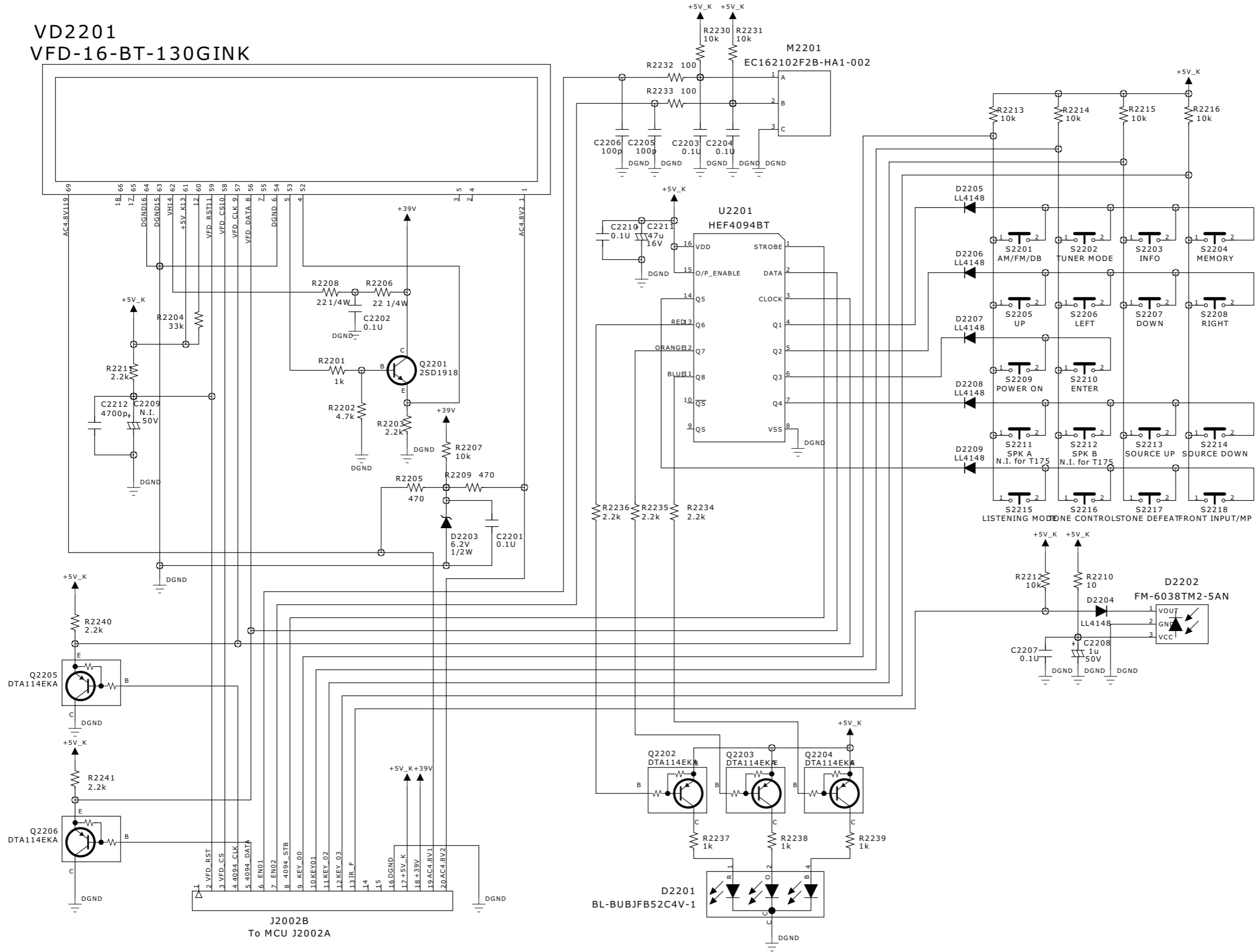
J5401B
to AMP-R (J5401A)

J5801B
to AMP-L (J5801A)

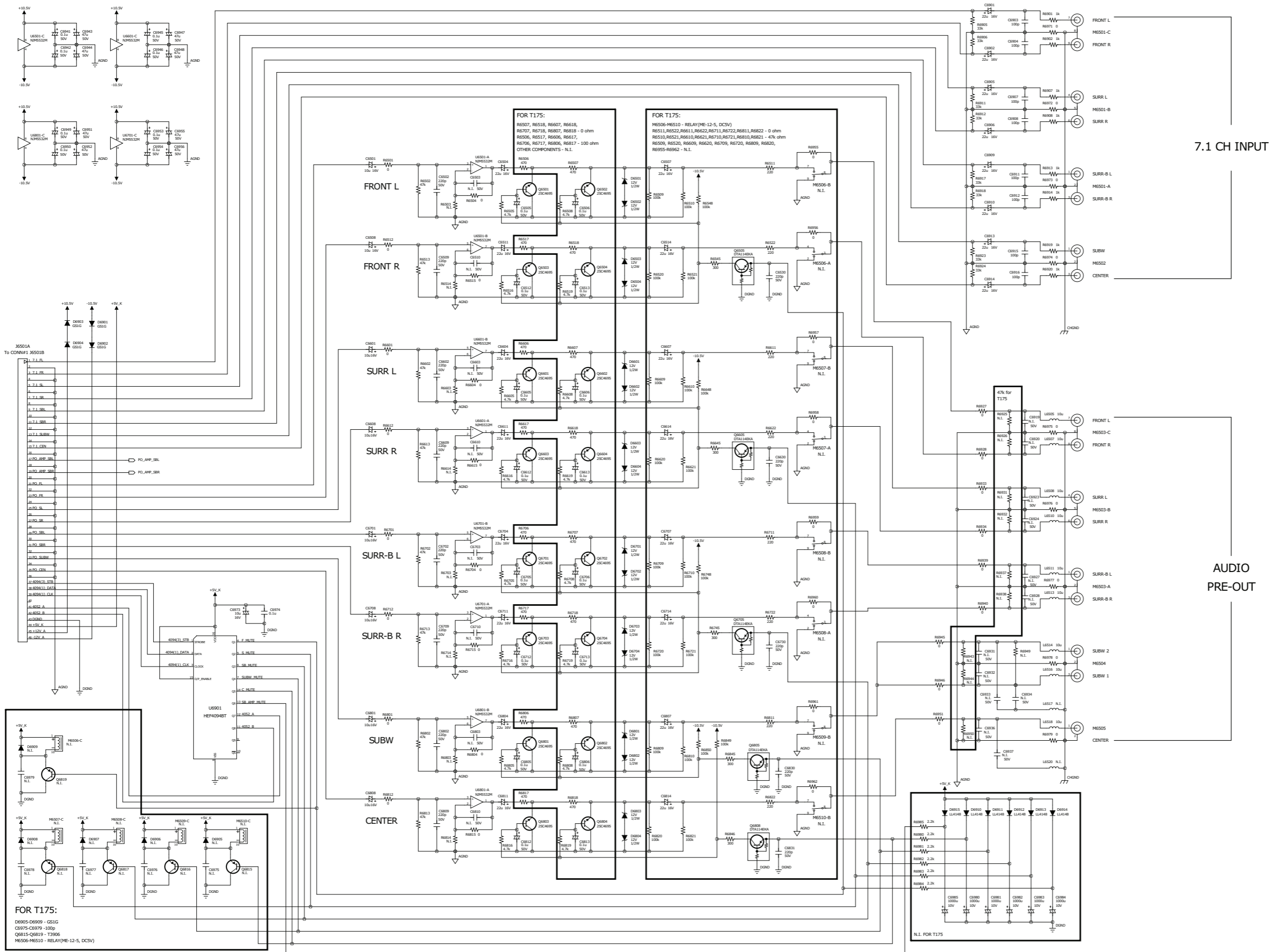
1 PO_FL	PO_FL_1
2 I_GND	I_GND_2
3 PO_SL	PO_SL_3
4 I_GND	I_GND_4
5 PO_BSL	PO_BSL_5
6 I_GND	I_GND_6
7 ISC_SEN_R	ISC_SEN_R_7
8 RELAY_B	RELAY_B_8
9 RELAY_F	RELAY_F_9
10 SC_2	SC_2_10
11 SC_1	SC_1_11
12 THM_PRO	THM_PRO_12
13 ISC_THM_R	ISC_THM_R_13
14 DET	I_DET_14
15 DET	V_DET_15
16 OVL_D_PRO	OVL_D_PRO_16
17 FAN_SEN	FAN_SEN_17
18 +15V	+15V_18
19 RELAY_S	RELAY_S_19
20 RELAY_SB	RELAY_SB_20
21 RELAY_C	RELAY_C_21
22 4094_CLK	4094_CLK_22
23 4094_DATA	4094_DATA_23
24 4094(1)_STB	4094(1)_STB_24
25 +5V_K	+5V_K_25
26 +12V_D	+12V_D_26
27 DGND	DGND_27
28	28

KEYBOARD

VD2201
VFD-16-BT-130GINK

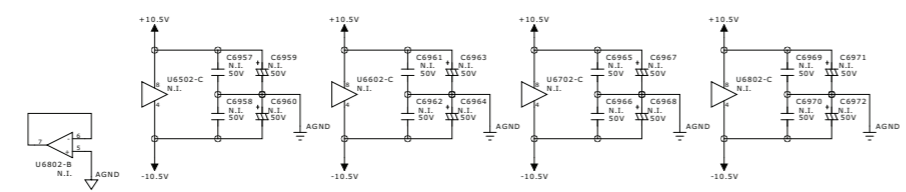
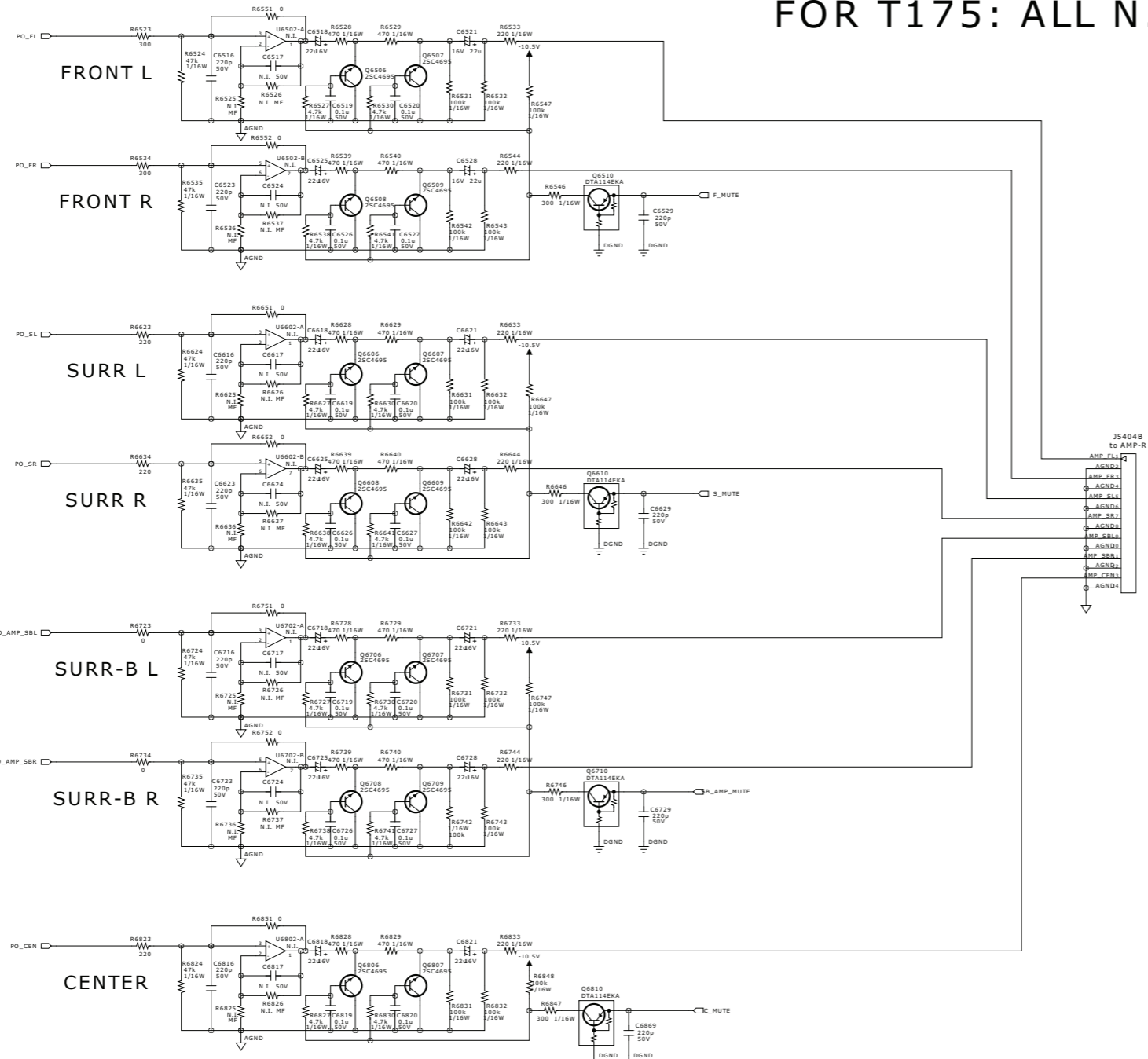


PRE-OUT-1

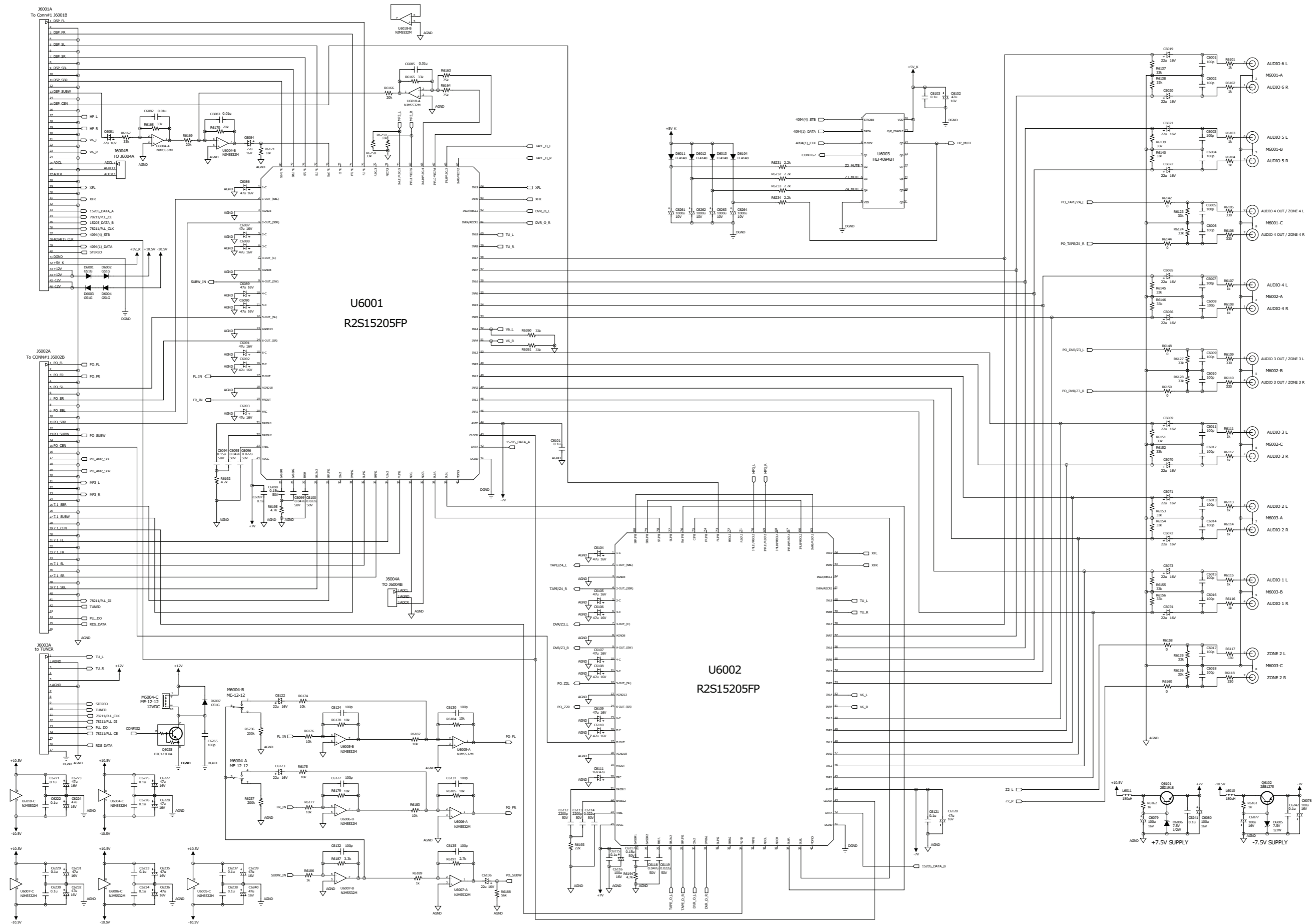


PRE-OUT-2

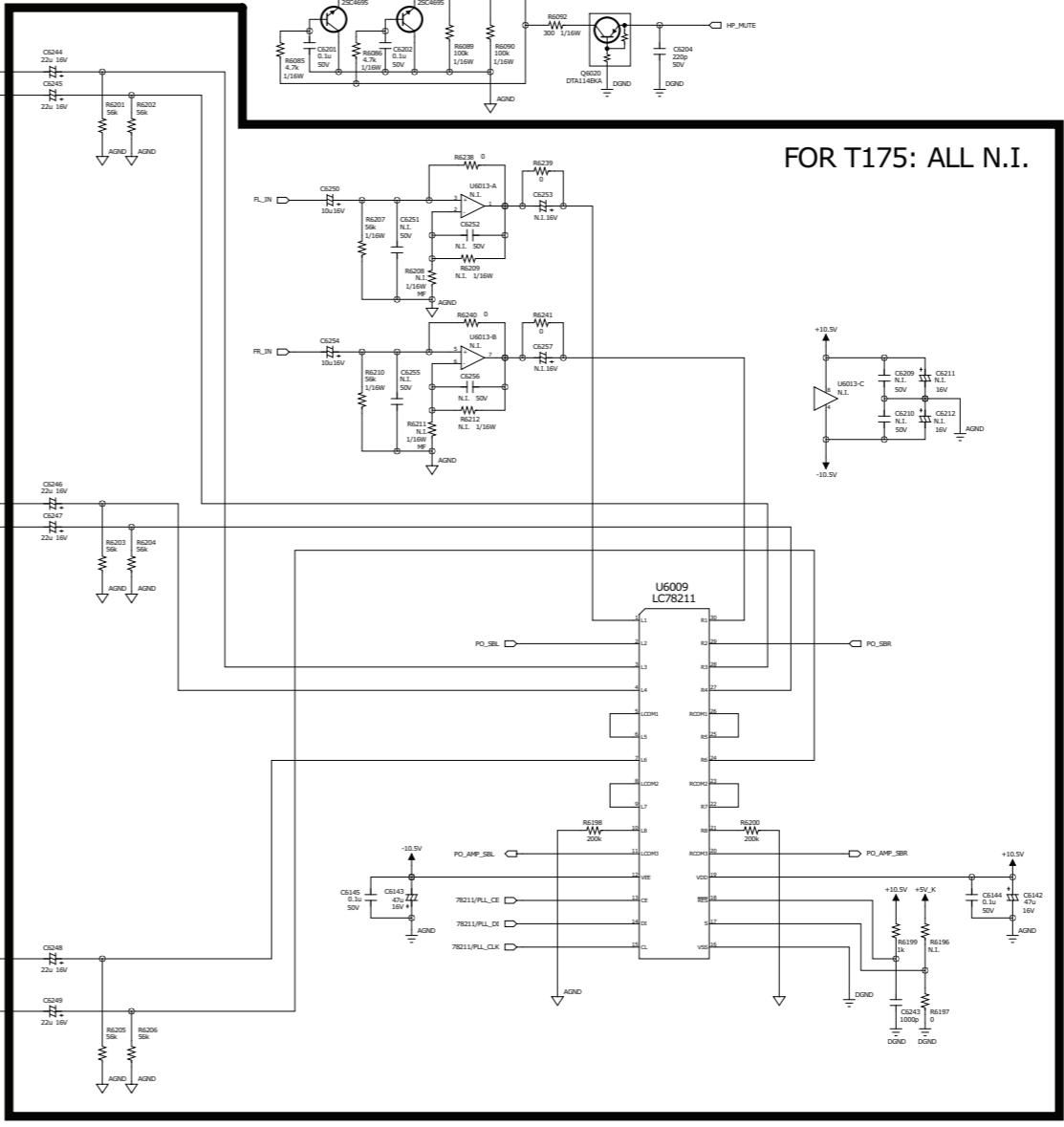
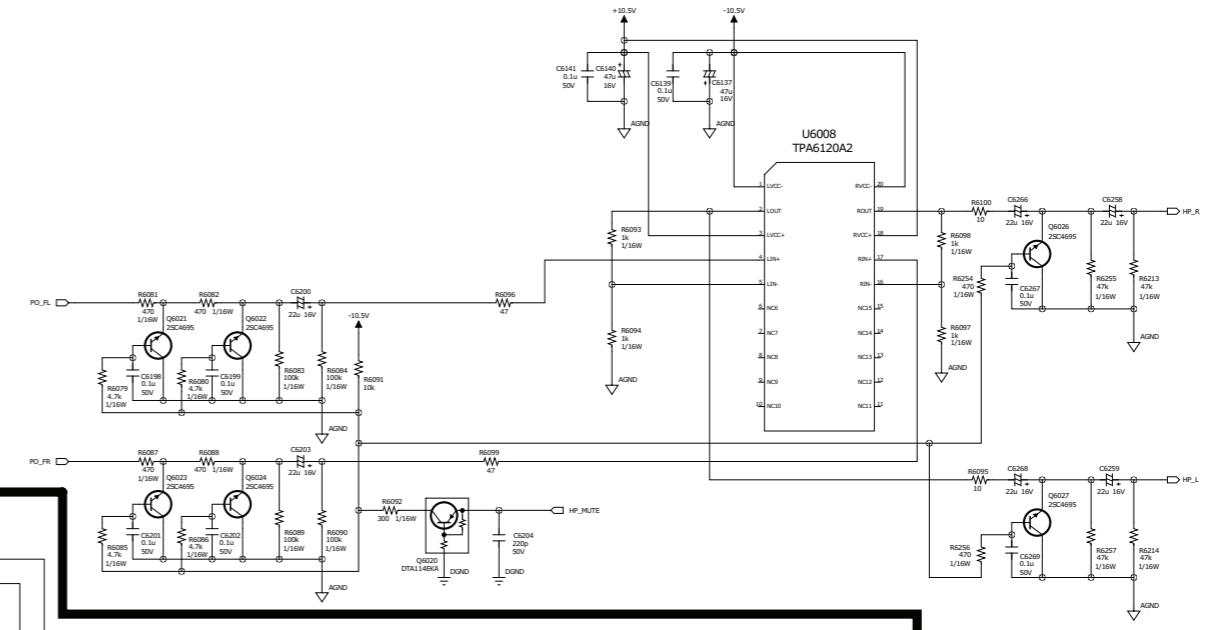
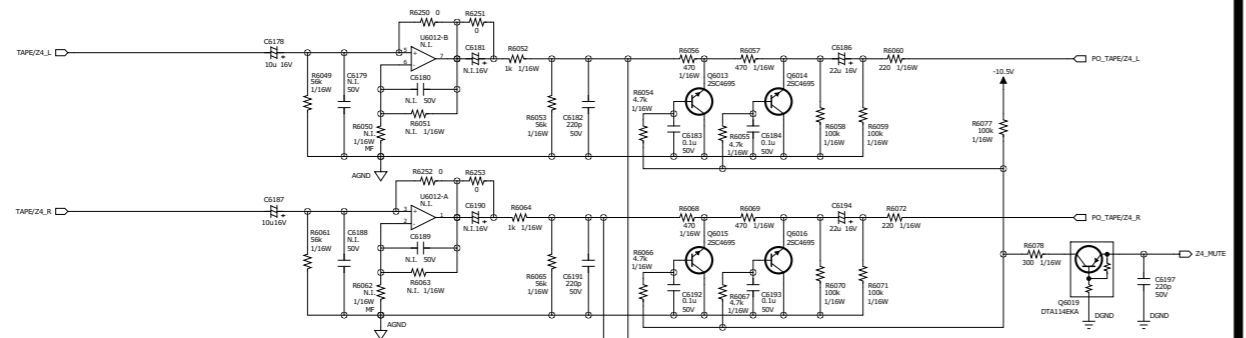
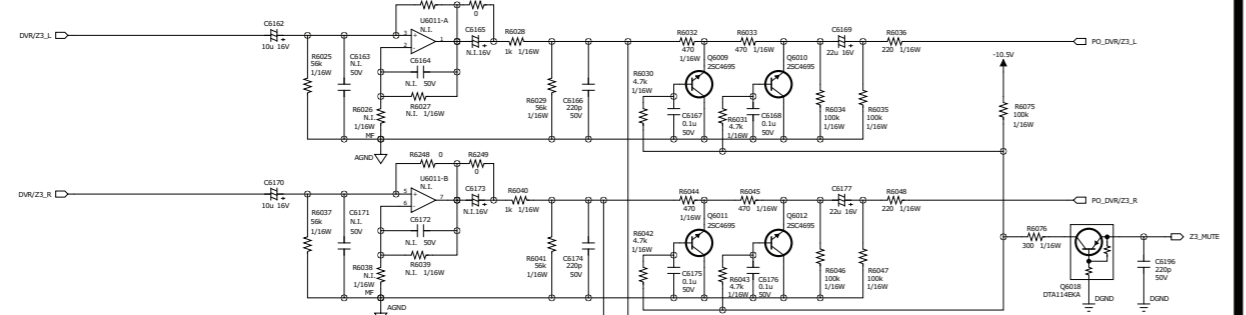
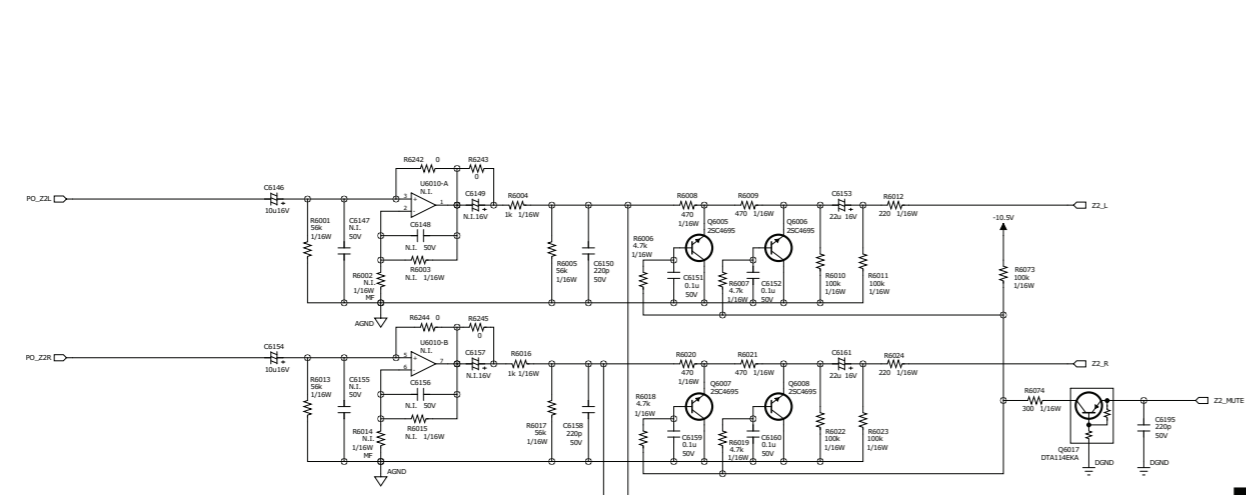
FOR T175: ALL N.I.



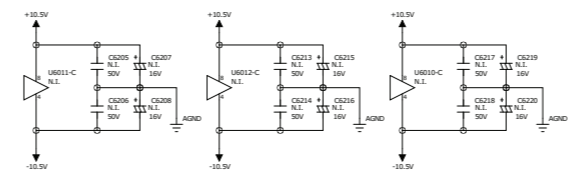
VOLUME-1



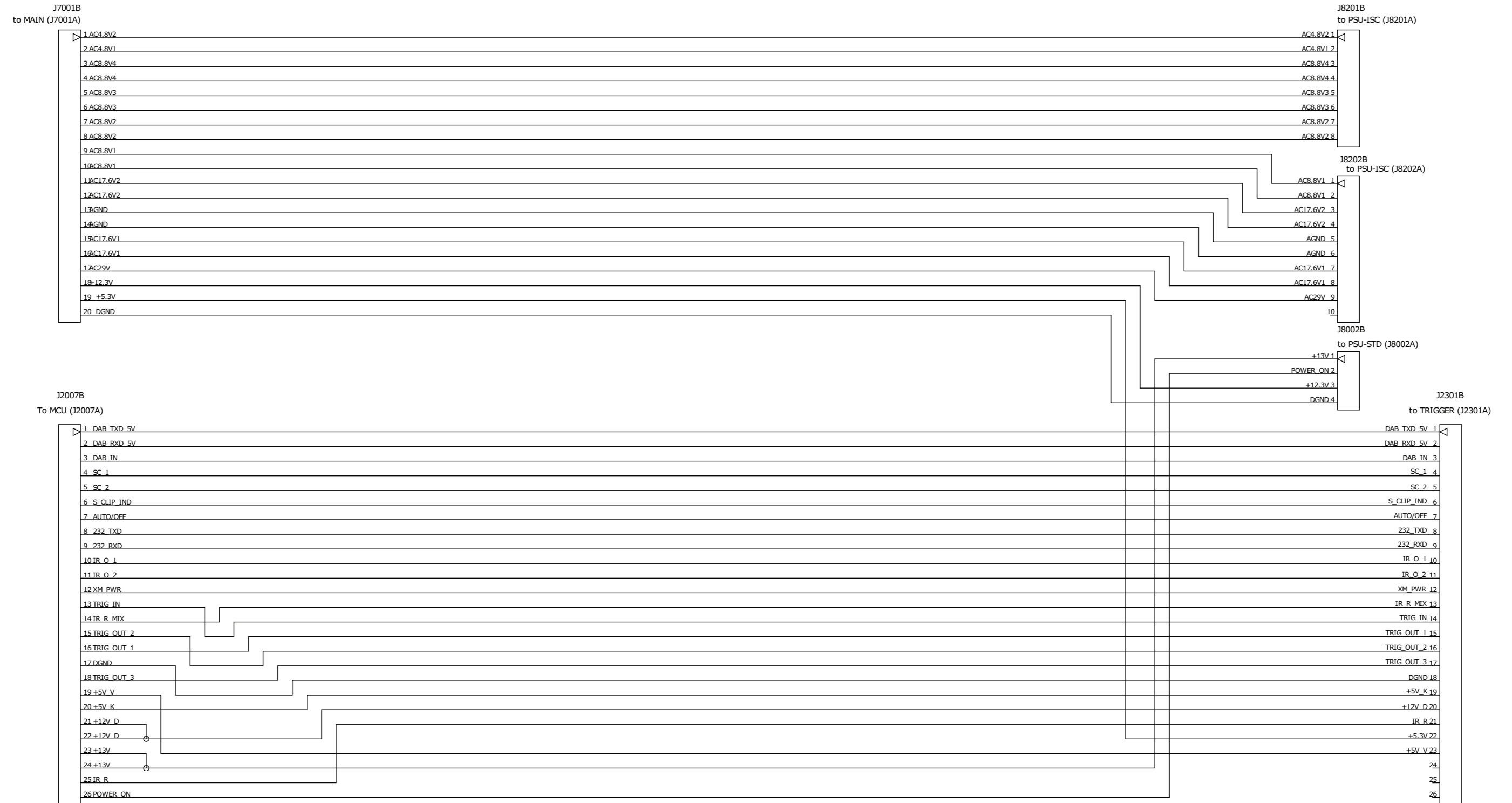
VOLUME-2



FOR T175: ALL N.I.



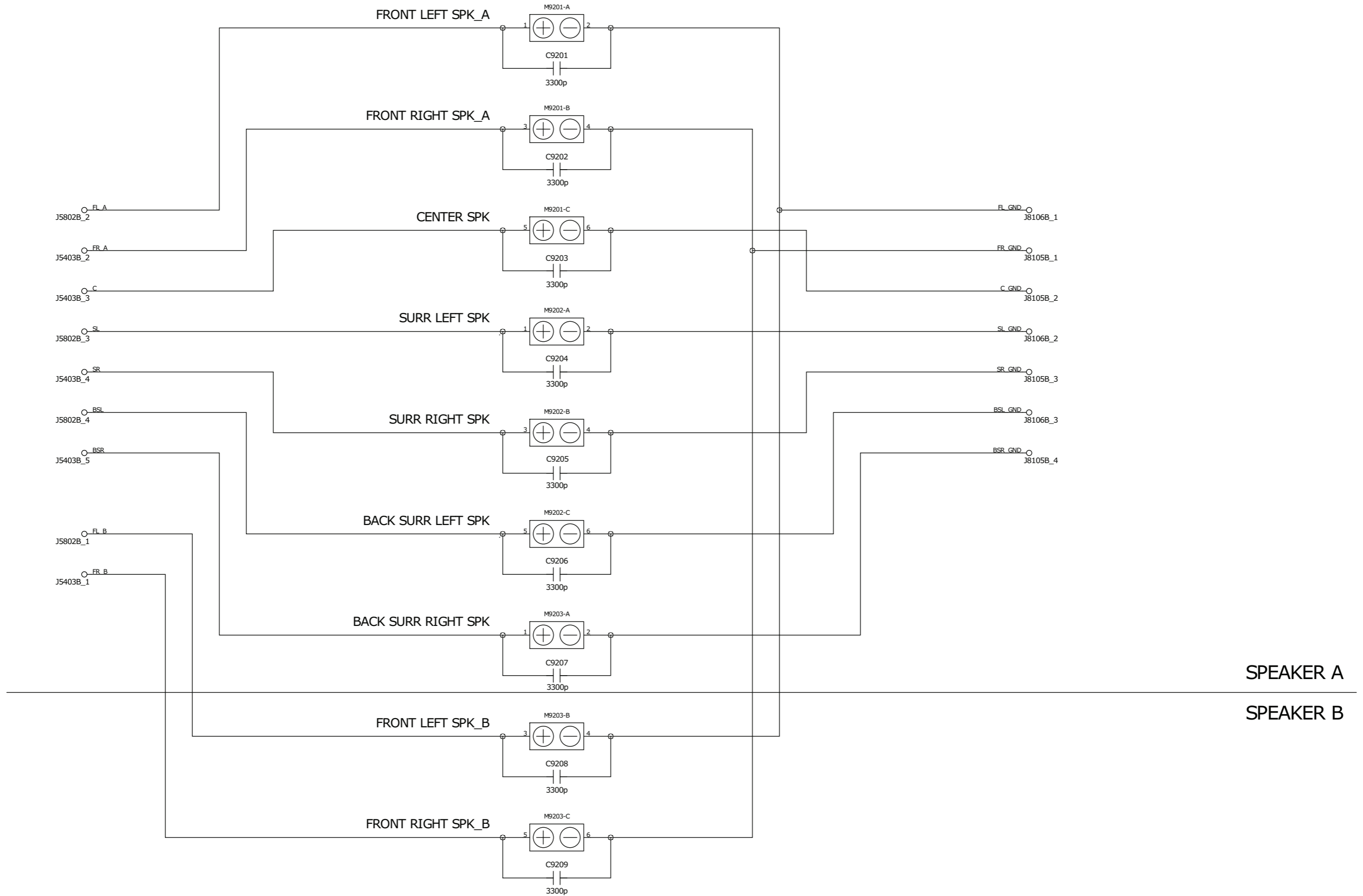
CONNECTOR-2



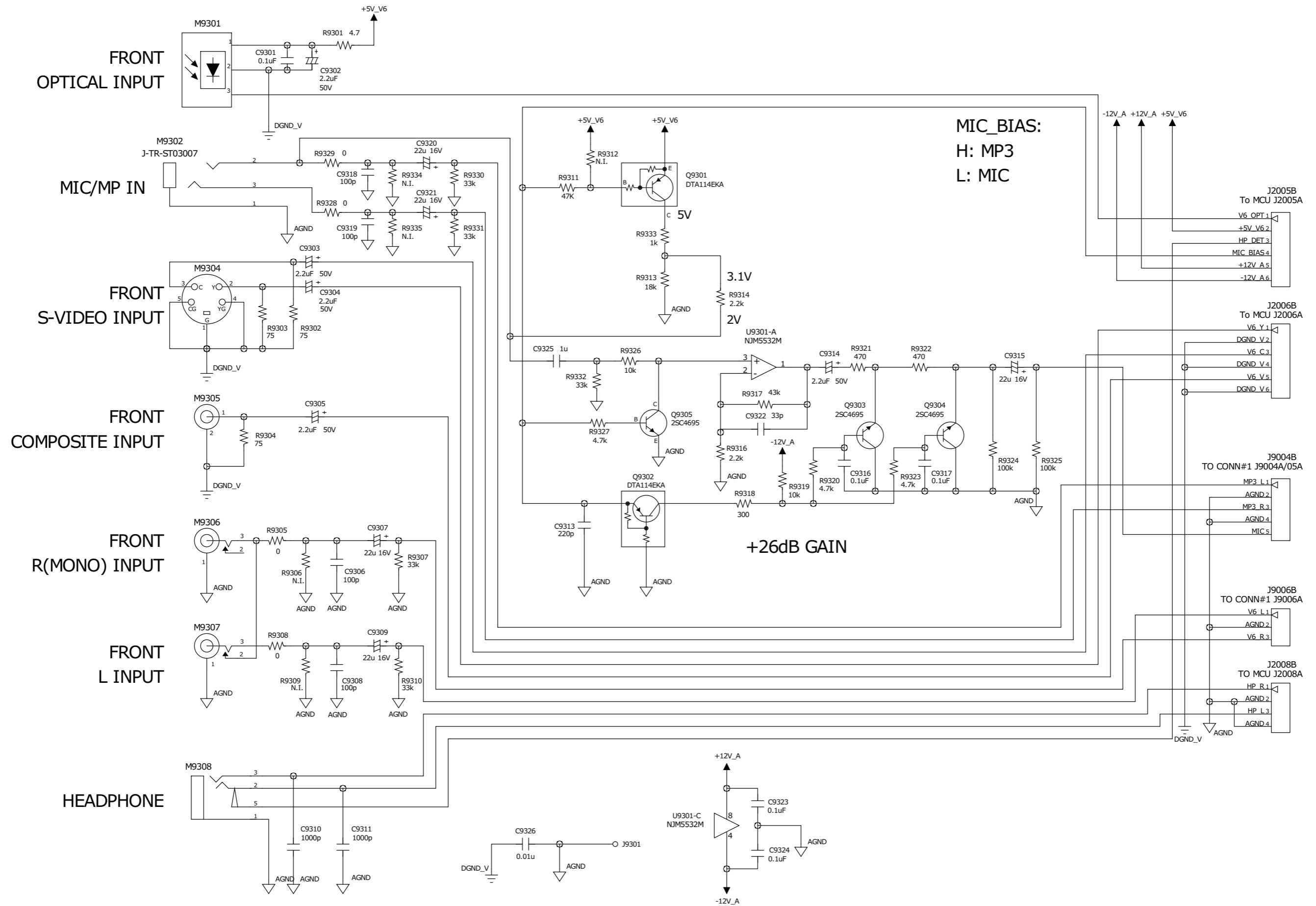
CONNECTOR-4



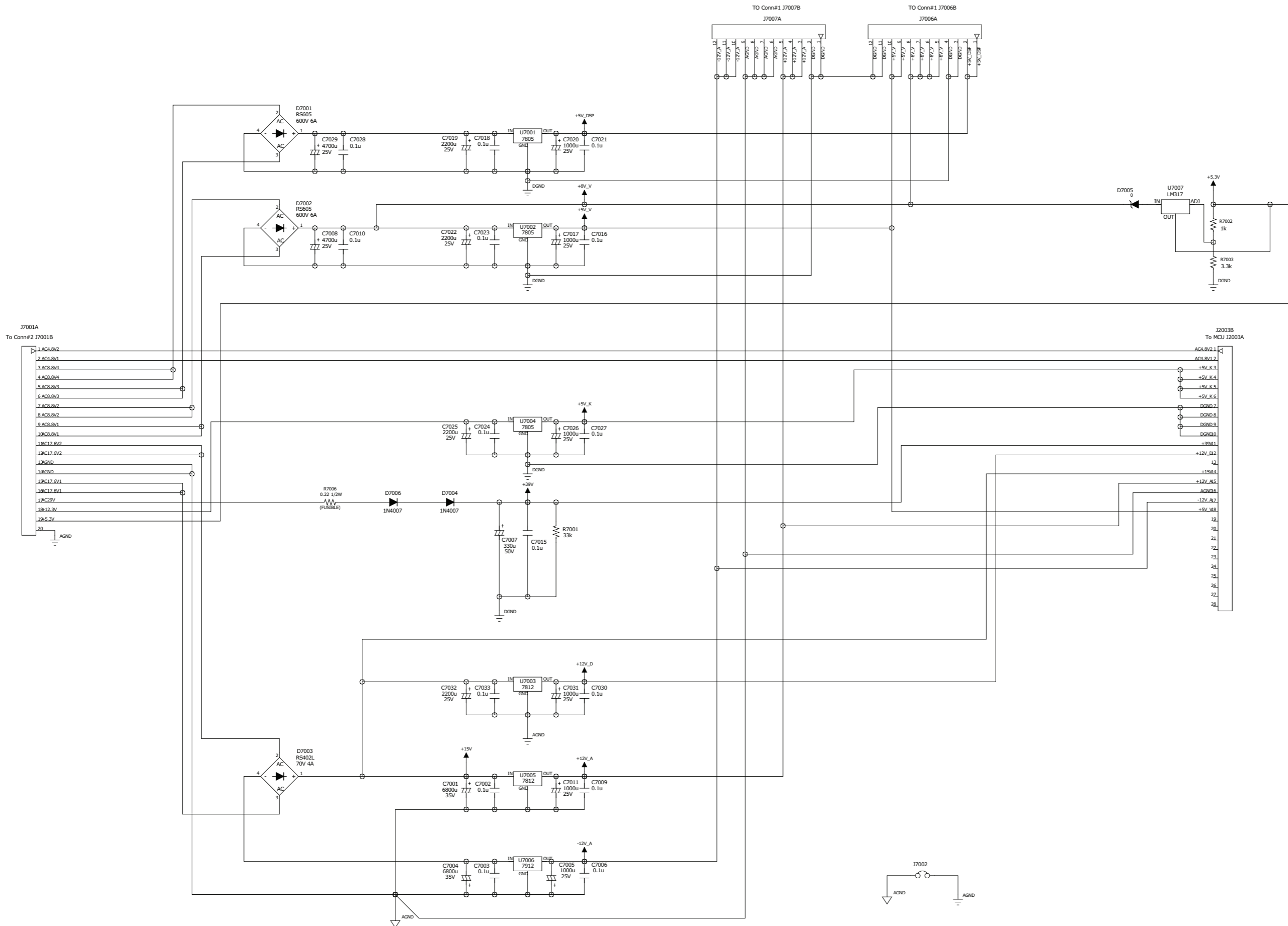
SPEAKER



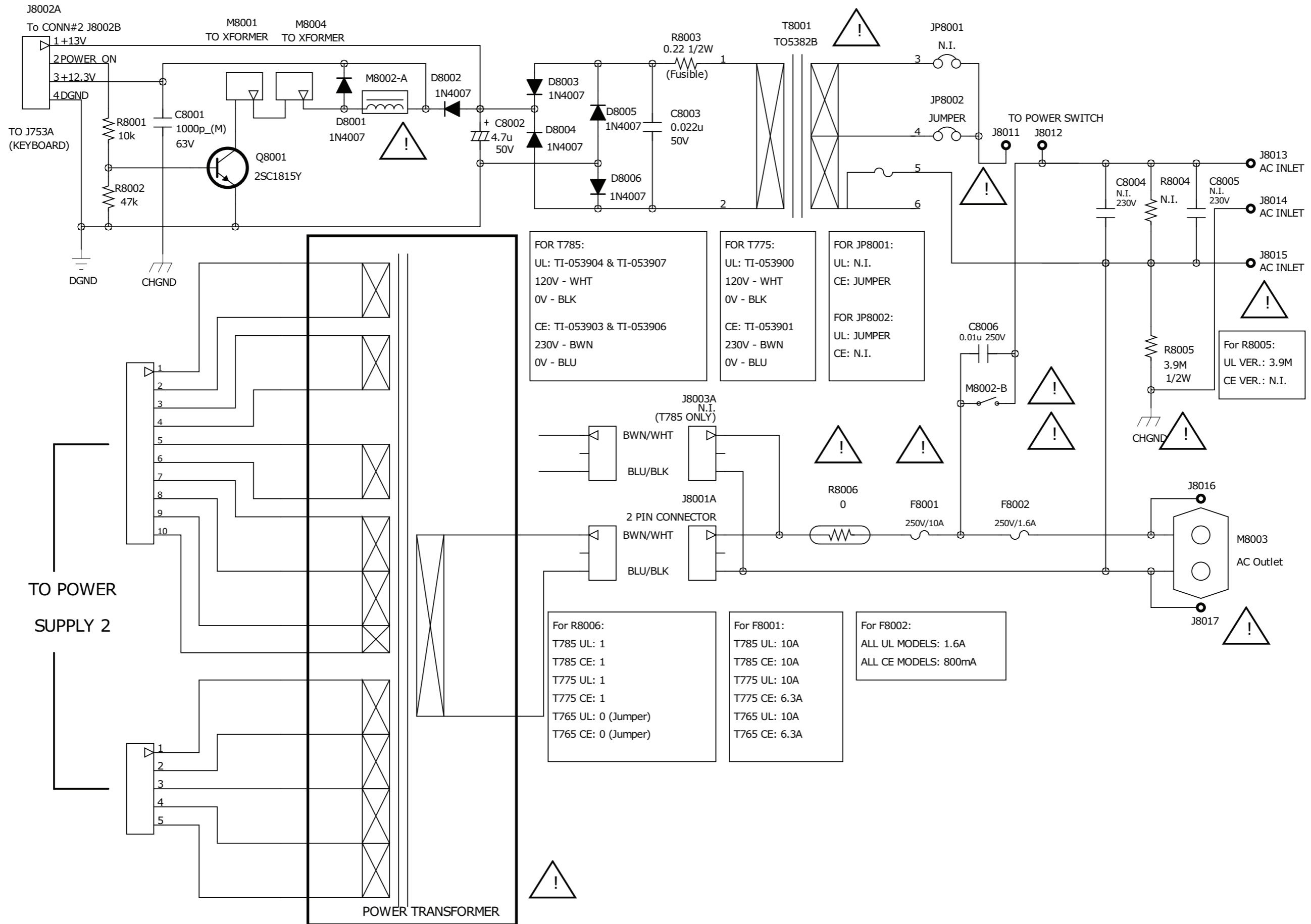
F-INPUT



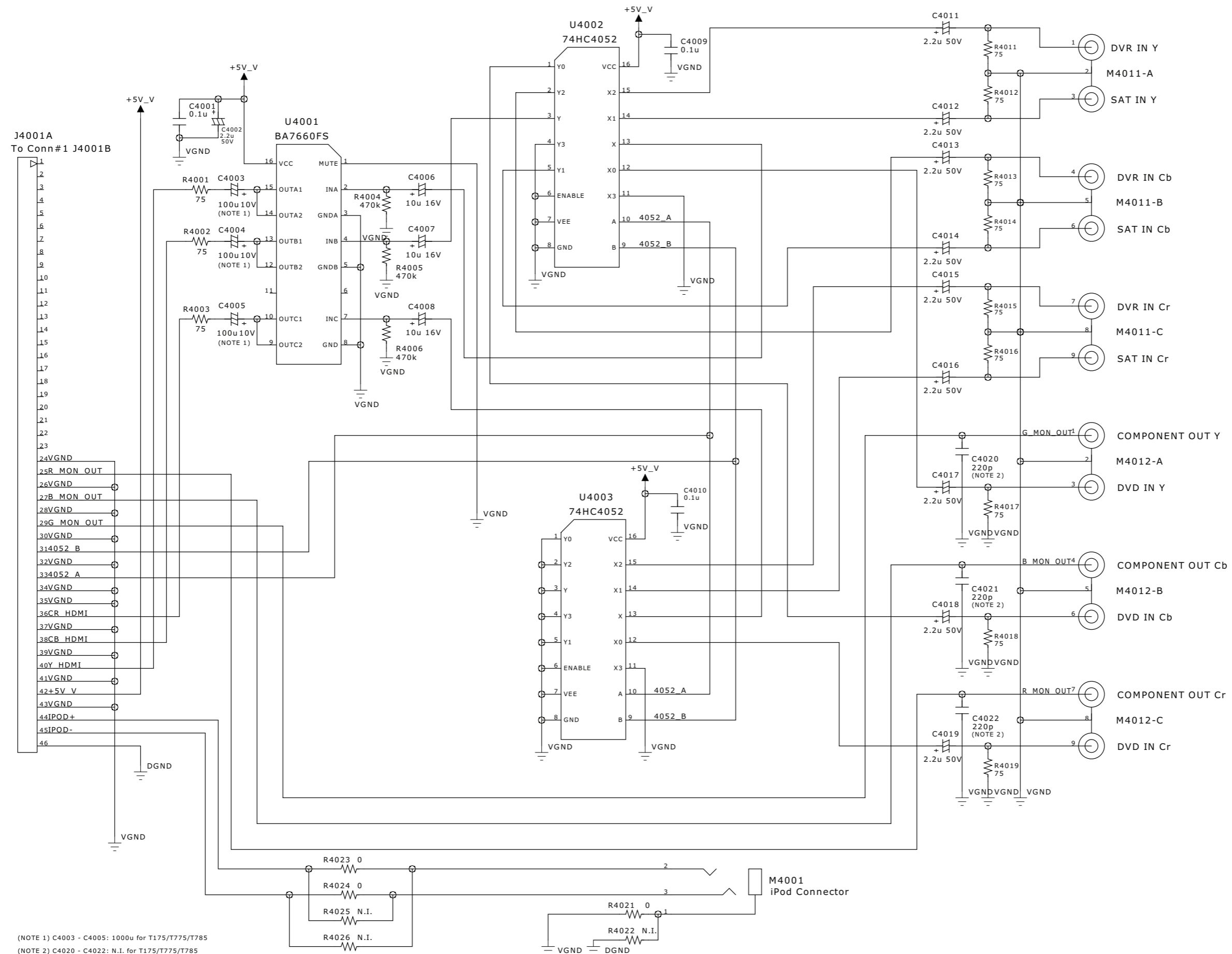
MAIN BOARD



POWER SUPPLY(STAND BY)

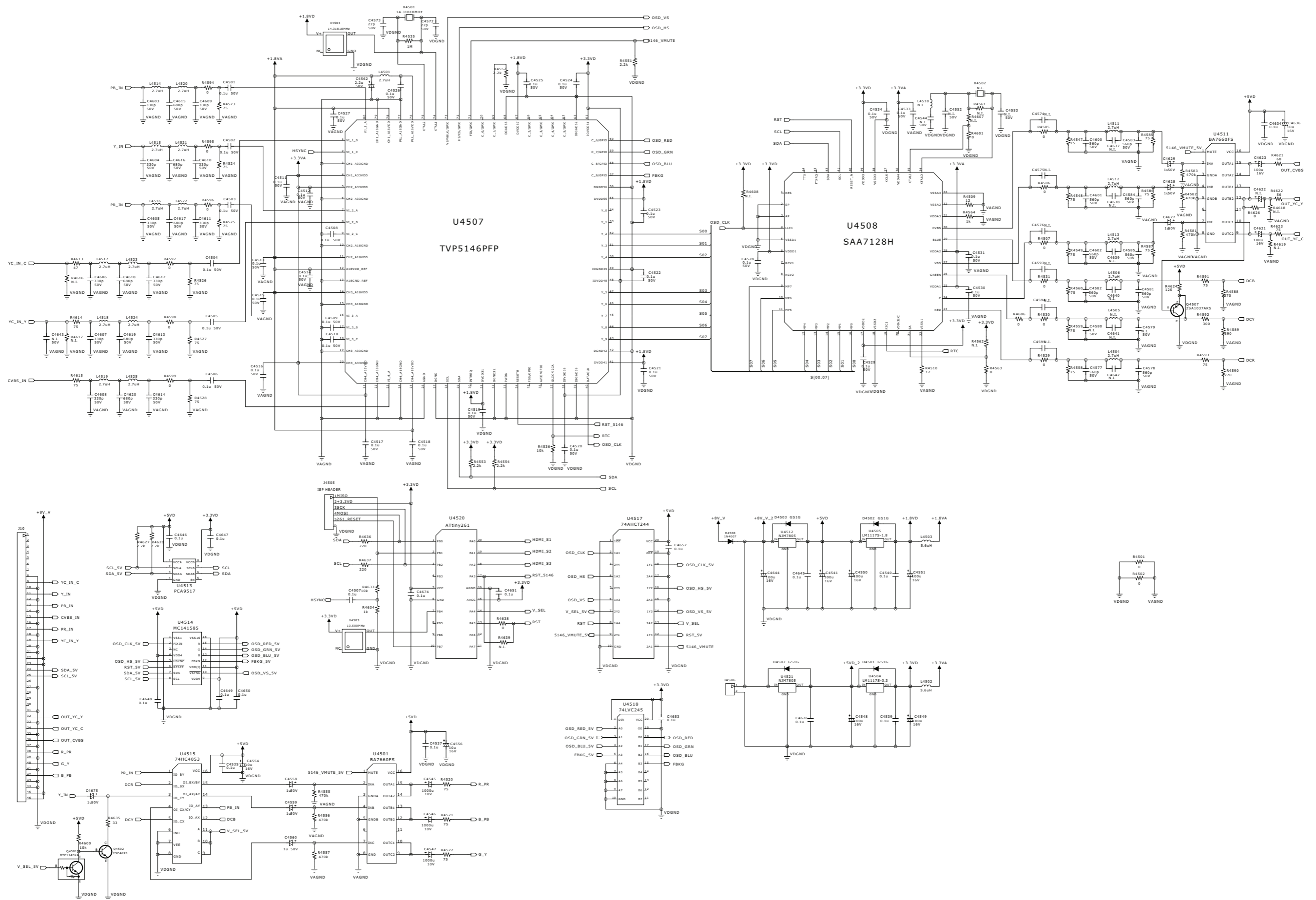


COMPONENT VIDEO

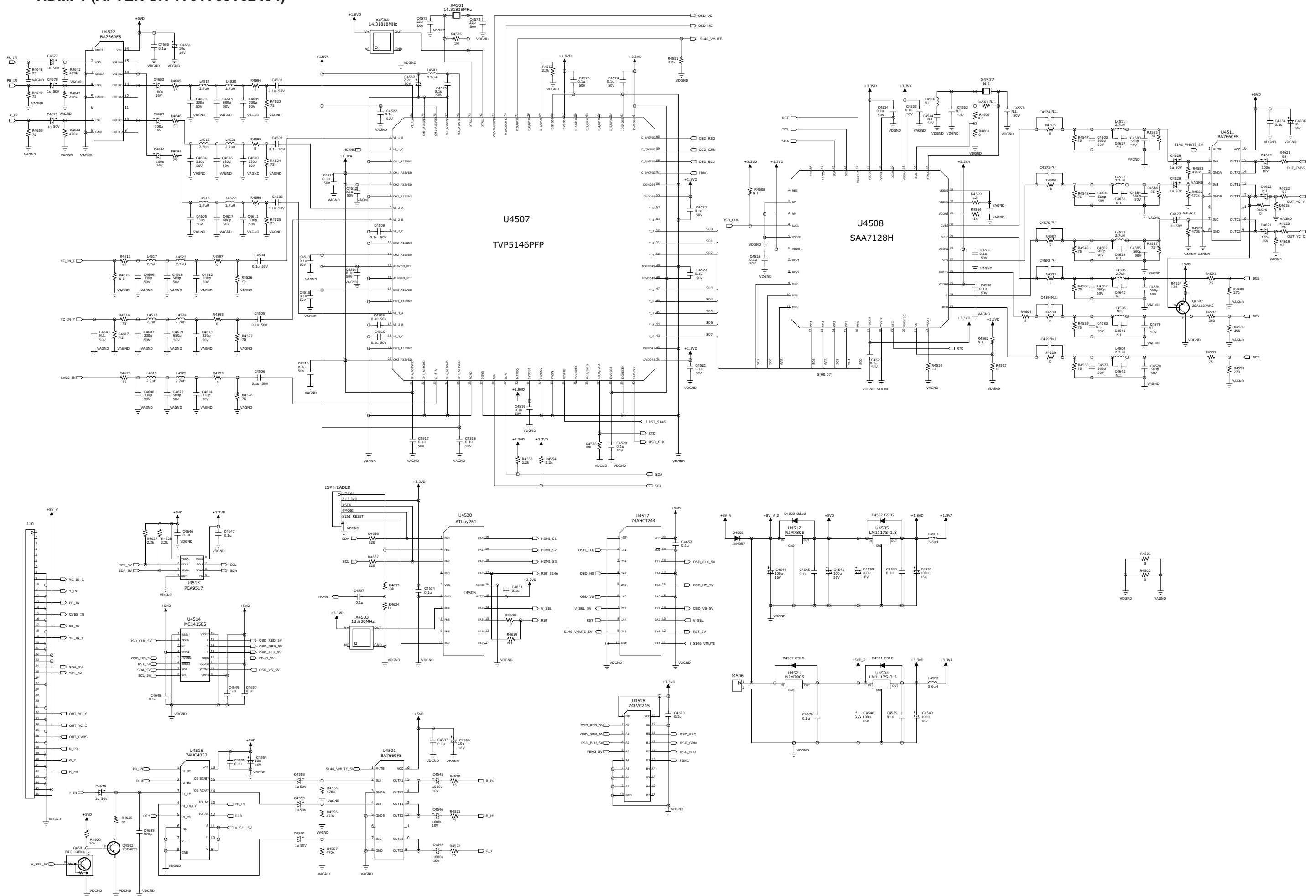


(NOTE 1) C4003 - C4005: 1000u for T175/T775/T785
 (NOTE 2) C4020 - C4022: N.I. for T175/T775/T785

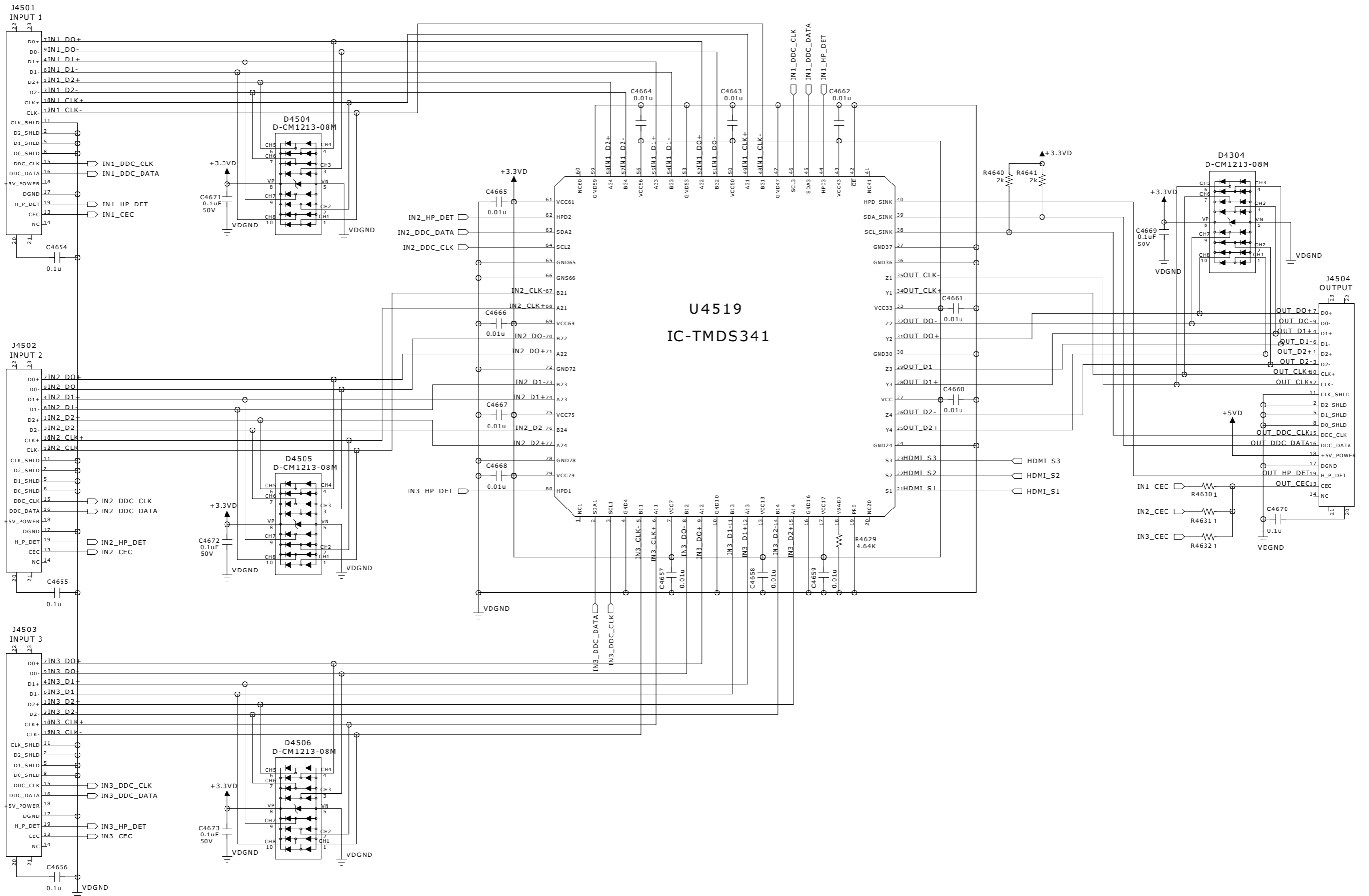
HDMI-1 (BEFORE SN T79T765T02405)



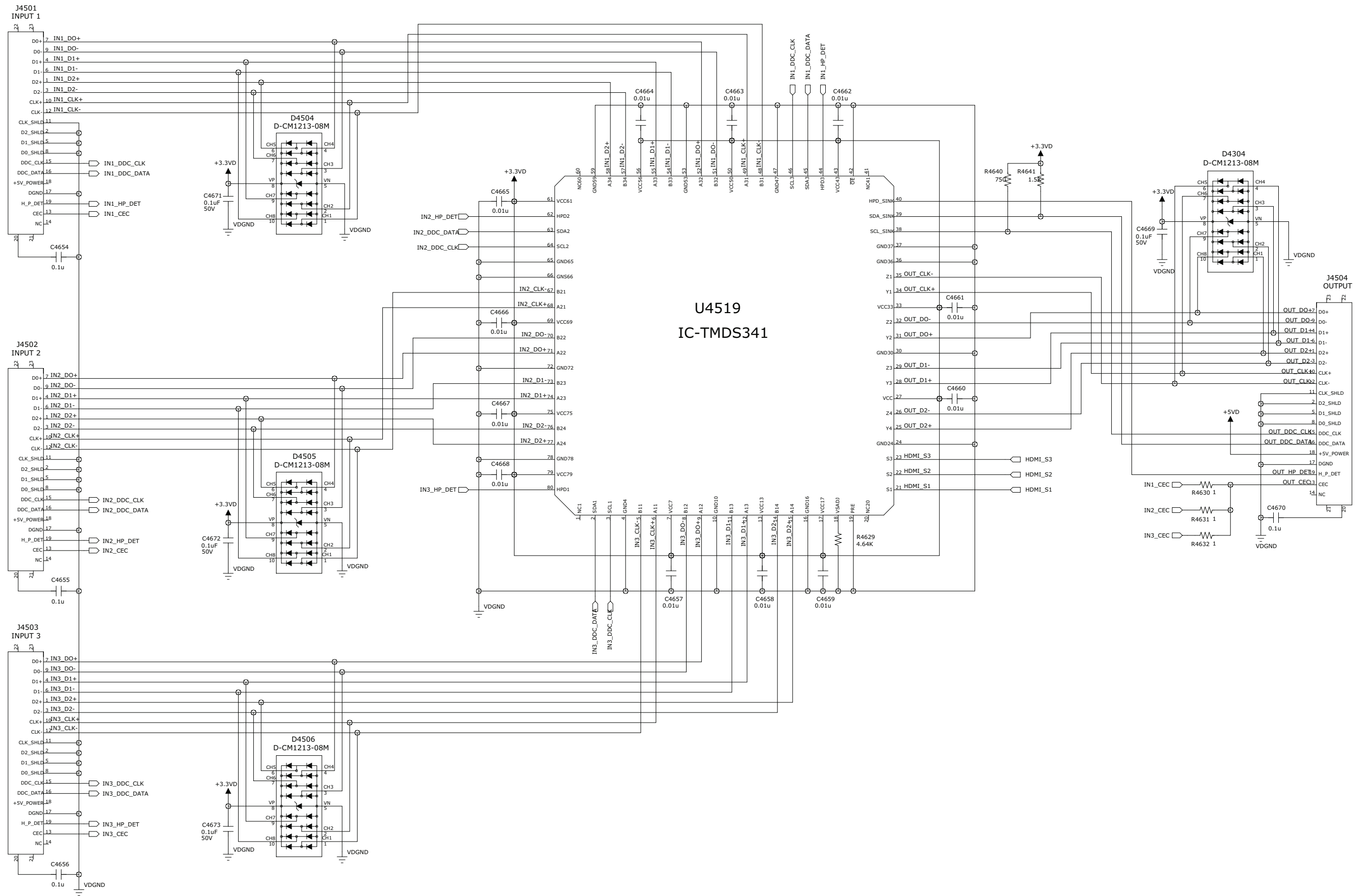
HDMI-1 (AFTER SN T79T765T02404)



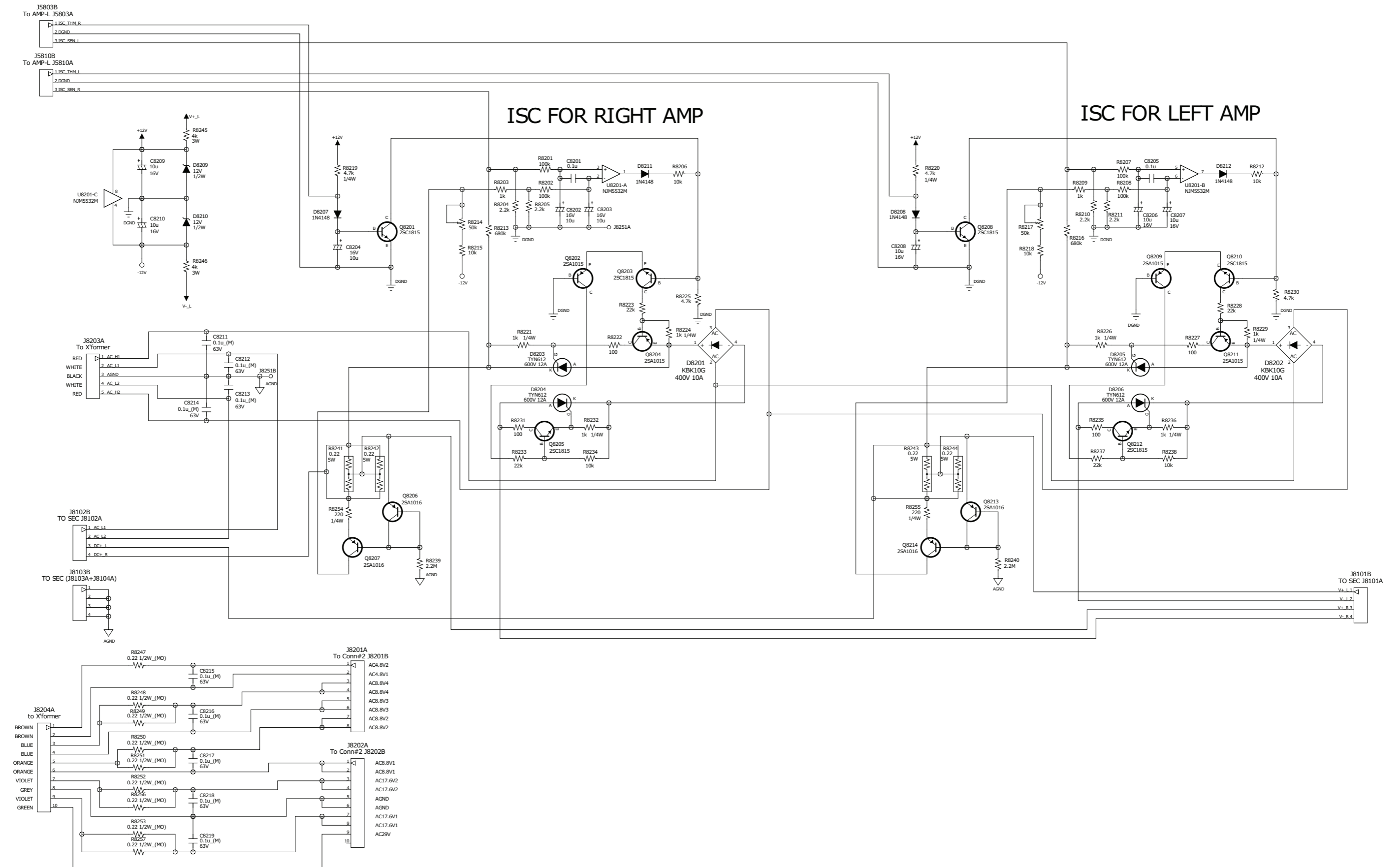
HDMI-2 (BEFORE SN T79T765T02405)



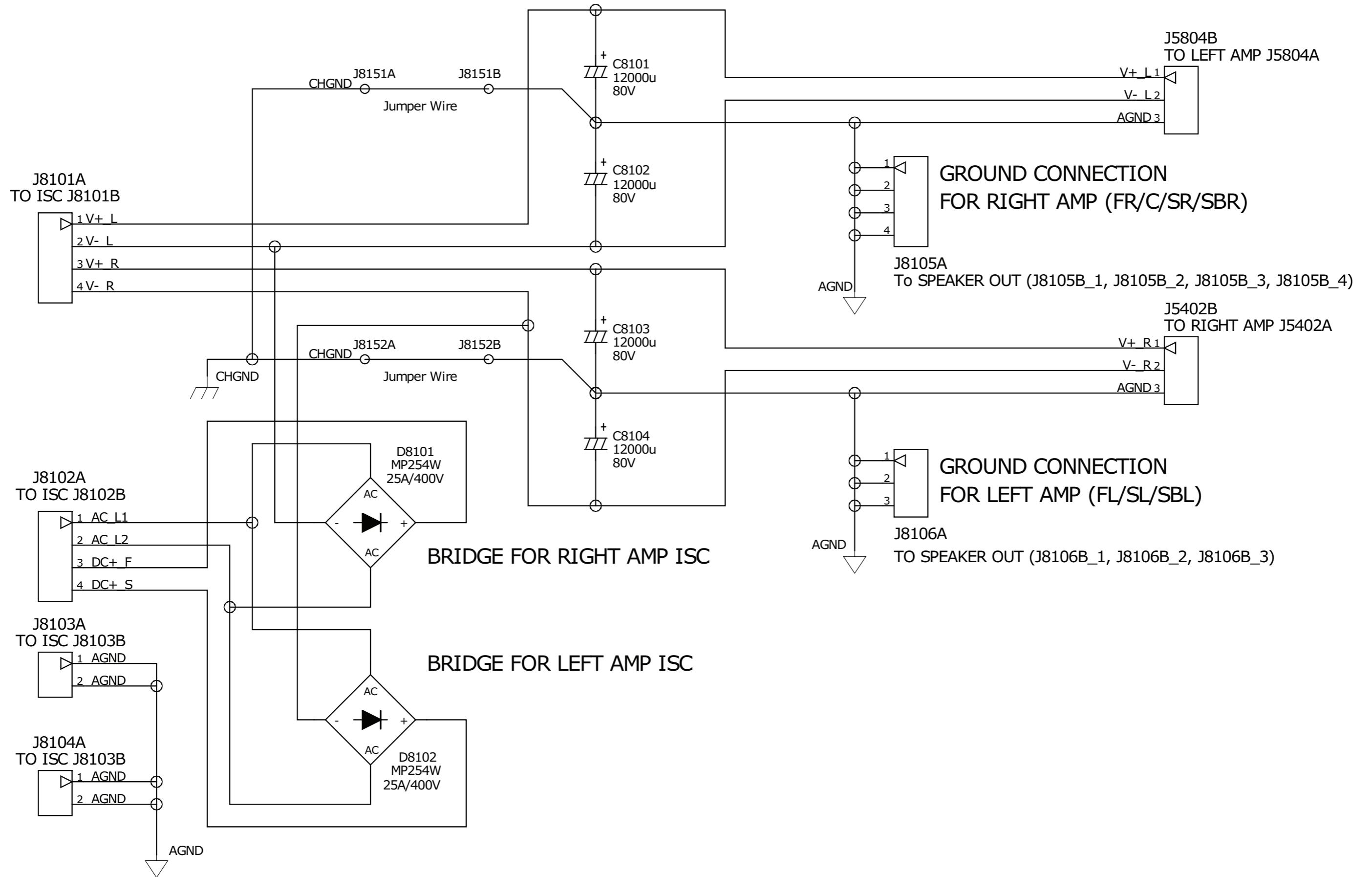
HDMI-2 (AFTER SN T79T765T02404)



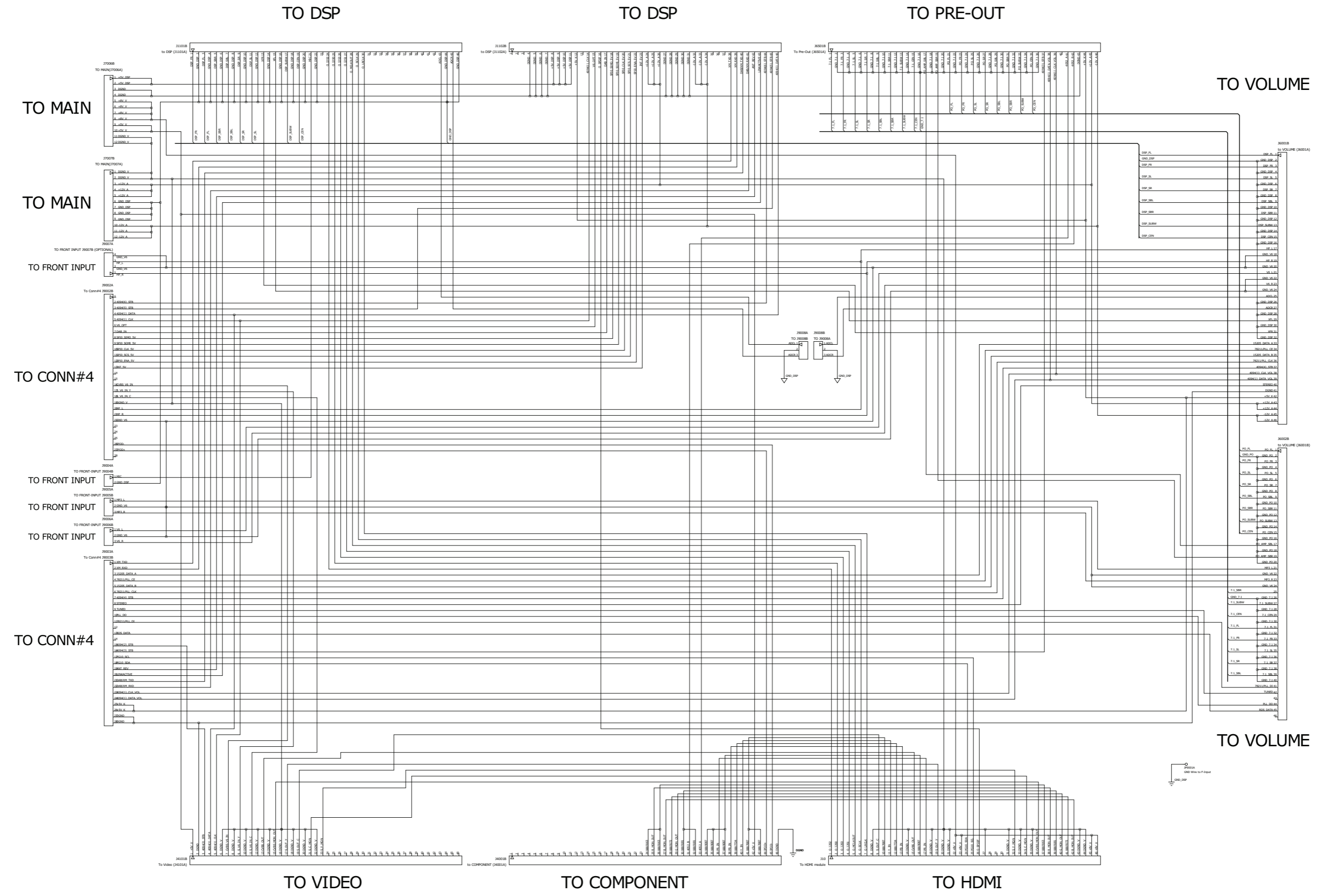
POWER SUPPLY(ISC)



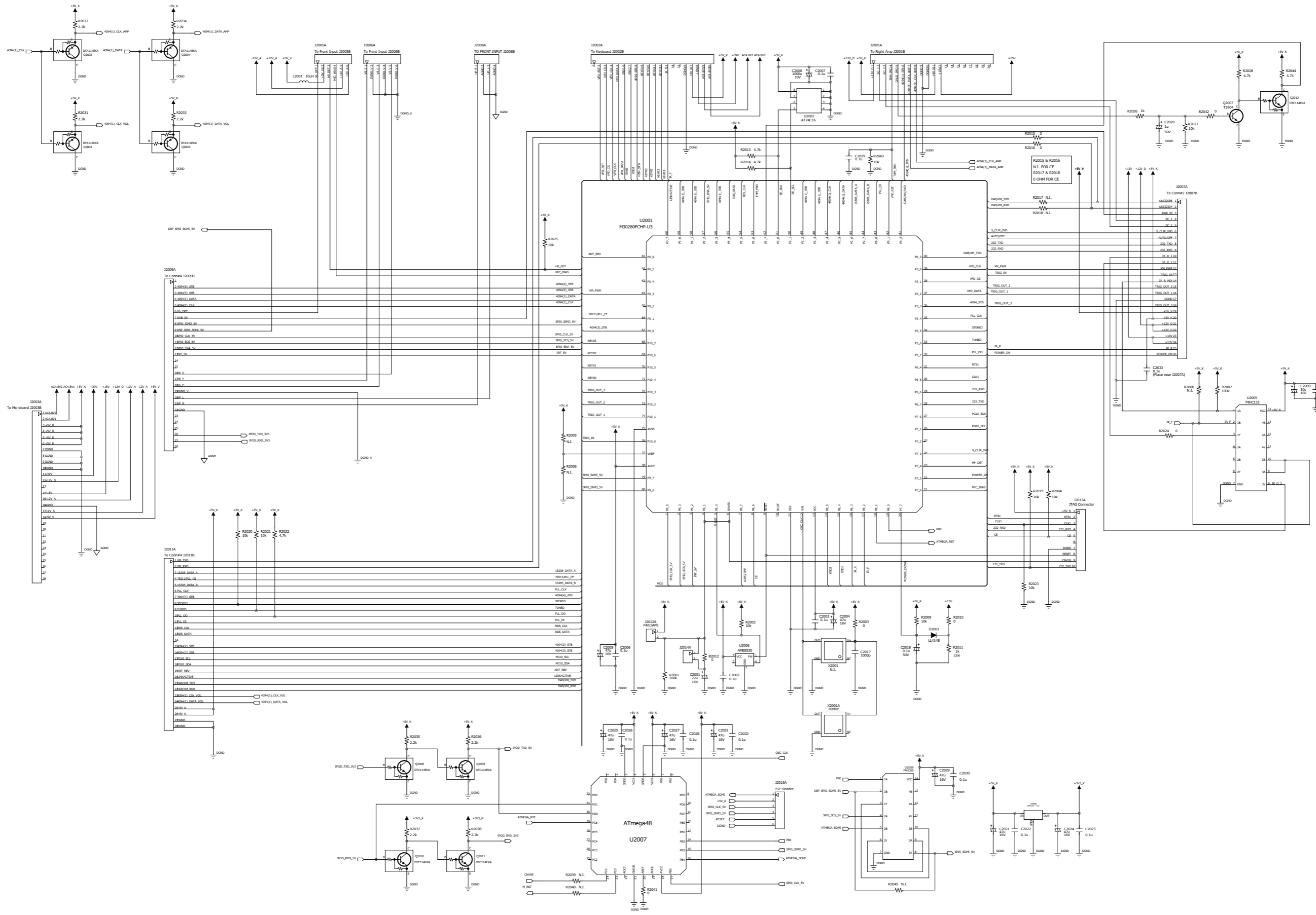
POWER SUPPLY(SECONDARY)



CONNECTOR-1



MCU



ELECTRICAL PARTS LIST

<u>Reference</u>	<u>Database Part No.</u>	<u>DESCRIPTION</u>
<u>POWER AMP MODULE PCB ASSEMBLY</u>	50-940-0765-90	T765/T775 PWR AMP MODULE
<u>RIGHT POWER AMP BOARD PCB ASSEMBLY</u>	NSP	T765 Right Amp Board Assembly NSP
<u>IC & REGULATOR</u>		
U5403	01-004-0049-00	IC VOLT REG 12V 1A TO-220 NJM7812
U5402	01-020-0026-90	IC LM35DT TEMP SENSOR TO-220
<u>RESISTORS</u>		
R5028 R5030 R5128 R5130	02-005-0063-00	RES WW 0.22 OHM 5% 5W AXIAL
R5228 R5230 R5328 R5330		
R5036 R5136 R5236 R5336	02-010-0014-00	RES MO 10 OHM 5% 2W AXIAL
<u>CAPACITORS</u>		
C5018 C5118 C5218 C5318	03-004-0031-00	MPF CAP 104J/63V 5% Mini Box
<u>TRANSISTORS</u>		
Q5018 Q5118 Q5218 Q5318	05-001-0100-90	TRANSISTOR PW DARLINGTON PNP 10A/150V TO-3PB 2SB1560
Q5017 Q5117 Q5217 Q5317	05-001-0101-90	TRANSISTOR PW DARLINGTON NPN 10A/150V TO-3PB 2SD2390
<u>VARIABLE RESISTORS</u>		
R5021 R5121 R5221 R5321	06-004-0016-90	VR SEMI-FIX RES CF 1K OHM B 30% 6mm
<u>COILS</u>		
L5001 L5101 L5201 L5301	07-002-0136-90	AIR COIL 0.2uH 10% 1 X 9 X 13.5 TURNS
<u>RELAYS</u>		
M5401-5405	07-005-0043-90	RELAY POWER DC12V 10A/250V 1P1T TV5 UL/SEMKO/CQC JZC-36F-012-HSL
<u>THERMISTORS</u>		
M5406 M5407	20-004-0039-00	THERMISTOR PTC 100 OHM PTF M04BH471Q2N34B0
<u>SMD ICS</u>		
U5401	01-014-0043-00	SMD IC AS358MTR-E1 SOIC-8 OPERATIONAL AMPLIFIER BCD
<u>RES SMDISTORS</u>		
R5006 R5106 R5206 R5306 R5409	02-007-0026-00	RES SMD 47K OHM 5% 1/10W 0805
R5408	02-007-0028-00	RES SMD 4.7K OHM 5% 1/10W 0805
R5402-5403 R5416 R5419 R5424 R5426	02-007-0033-00	RES SMD 1.2K OHM 5% 1/10W 0805
R5019 R5119 R5219 R5319	02-007-0035-00	RES SMD 2K OHM +/-5% 1/10W 0805
R5037 R5137 R5237 R5337	02-007-0037-00	RES SMD 180K OHM 5% 1/10W 0805
R5414	02-007-0046-00	RES SMD 6.8K OHM 0805 5%
R5401 R5404	02-007-0047-00	RES SMD 18K OHM 5% 1/10W 0805
R5010 R5013 R5110 R5113 R5210	02-007-0073-00	RES SMD 470 OHM 1/8W 0805 5%
R5213 R5310 R5313		
R5421	02-007-0084-00	RES SMD 47.5K OHM 1% 1/10W 0805
R5003 R5015 R5031 R5103 R5115 R5131	02-007-0087-00	RES SMD 10K OHM 1/8W 0805 1%
R5203 R5215 R5231 R5303 R5315 R5331		
R5413 R5422		

R5033 R5133 R5233 R5333	02-007-0088-00	RES SMD 2.2K OHM 0805 5%
R5423	02-007-0126-00	RES SMD 820 OHM +/-5% 1/10W 0805
R5032 R5132 R5232 R5332	02-007-0166-00	RES SMD 330K OHM 0805 5%
R5415	02-007-0172-00	RES SMD 13K OHM 5% 1/10W 0805
R5005 R5009 R5020 R5105 R5109	02-007-0177-00	RES SMD 1K OHM 0805 1%
R5120 R5205 R5209 R5220 R5305		
R5309 R5320 R5410 R5412 R5420		
R5425	02-007-0227-00	RES SMD 22.1K OHM +/-1% 1/10W 0805
R5038 R5138 R5238 R5338	02-007-0258-00	RES SMD 15K OHM 1/10W 1% 0805
R5001 R5101 R5201 R5301	02-007-0308-00	RES SMD 100K OHM 5% 1/4W 1206
R5008 R5108 R5208 R5308	02-007-0316-00	RES SMD 270 OHM 5% 1/4W 1206
R5004 R5104 R5204 R5304	02-007-0318-00	RES SMD 27K OHM 5% 1/4W 1206
R5035 R5135 R5235 R5335	02-007-0323-00	RES SMD 3.3 OHM 5% 1W 2512
R5012 R5112 R5212 R5312	02-007-0324-00	RES SMD 360 OHM 5% 1/4W 1206
R5418	02-007-0325-00	RES SMD 4.22K OHM 1% 1/10W 0805
R5002 R5102 R5202 R5302	02-007-0327-00	RES SMD 470 OHM 5% 1/4W 1206
R5118 R5122 R5218 R5222	02-007-0328-00	RES SMD 47 OHM 5% 1/2W 2010
R5018 R5022 R5318 R5322		
R5017 R5117 R5217 R5317	02-007-0330-00	RES SMD 56K OHM 5% 1/4W 1206
R5040 R5140 R5240 R5340 R5405	02-007-0339-00	RES SMD 1M OHM 5% 1/10W 0805
R5039 R5139 R5239 R5339 R5407	02-007-0342-00	RES SMD 22K OHM 5% 1/10W 0805
R5007 R5011 R5107 R5111 R5207	02-007-0343-00	RES SMD 22 OHM 5% 1/10W 0805
R5211 R5307 R5311		
R5034 R5134 R5234 R5334 R5406	02-007-0347-00	RES SMD 33K OHM 5% 1/10W 0805
R5014 R5016 R5114 R5116 R5214	02-007-0353-00	RES SMD 47 OHM 5% 1/10W 0805
R5216 R5314 R5316		
R5411	02-007-0356-00	RES SMD 560 OHM 5% 1/10W 0805
R5417	02-007-0468-00	RES SMD 27K OHM 0805 1%
SMD CAPACITORS		
C5408,C5409	03-009-0080-00	CAP CER SMD 0.1uF/250V 10% X7R 1210
C5010 C5110 C5210 C5310 C5403-5404	03-009-0105-00	CAP CER SMD 0.1uF 50V 10% X7R 1206
C5005-5006 C5105-5106 C5205-5206 C5305-5306	03-009-0124-00	CAP CER SMD 10pF 50V 5% NPO 0603
C5003 C5007-5008 C5012-5015 C5103 C5107-5108 C5112-5115 C5203 C5207-5208 C5212-5215 C5303 C5307-5308 C5312-5315	03-009-0125-00	CAP CER SMD 100pF 100V 10% X7R 0805
C5019 C5119 C5219 C5319	03-009-0129-00	CAP CER SMD 150pF 100V +/-5% NPO 0603
C5410 C5411	03-009-0136-00	CAP ELEC SMD 10uF 16V +/-20% 4 x5.4
C5001 C5101 C5201 C5301 C5401-5402 C5406-5407	03-009-0137-00	CAP ELEC SMD 100uF 50V +/-20% 8X10.5
C5002 C5102 C5202 C5302	03-009-0141-00	CAP ELEC SMD 2.2uF 50V +/-20% 4X5.4
C5004 C5104 C5204 C5304	03-009-0144-00	CAP ELEC SMD 470uF 16V +/-20% 10X10.5
C5009 C5011 C5109 C5111 C5209 C5211 C5309 C5311	03-009-0145-00	CAP ELEC SMD 47uF 100V +/-20% 10X10
C5405	03-009-0153-00	CAP ELEC SMD 1uF/50V +/-20% B CASE 4 X 5.4
SMD DIODES		
D5002 D5003 D5102 D5103 D5202 D5203 D5302 D5303 D5401-D5405	04-006-0019-00	SMD Diode RECT 1A/400V DO-214AC GS1G M4 GS1G
D5004-5009 D5104-5109 D5204-5209 D5304-5309 D5407 D5410-5415 D5417-5418 D5420-5421	04-006-0021-90	SMD Diode LL4148 SOD80
D5416 D5419	04-007-0026-00	DIODE ZENER SMD 22V 500mW 5% SOD123 MMSZ5251B

D5406 D5409	04-007-0031-00	DIODE ZENER SMD 6.2V 500mW 5% SOD123 MMSZ5234B
D5001 D5101 D5201 D5301	04-007-0035-90	DIODE ZENER SMD 15V 500mW 5% SOD123 MMSZ5245B
SMD TRANSISTORS		
Q5001-5005 Q5011-5012 Q5019 Q5101-5105 Q5111-5112 Q5119 Q5201-5205 Q5211-5212 Q5219 Q5301-5305 Q5311-5312 Q5319 Q5409 Q5008 Q5108 Q5208 Q5308 Q5408 Q5406	05-004-0018-90	SMD Transistor MMBT5551LT1 NPN CAP ELEC SMD SOT-23
Q5010 Q5110 Q5210 Q5310	05-004-0030-90	SMD Transistor MMBT5401LT1G PN PCAP ELEC SMD SOT-23
Q5006 Q5007 Q5009 Q5106 Q5107 Q5109 Q5206 Q5207 Q5209 Q5306 Q5307 Q5309 Q5410	05-004-0031-90	XTR 2SD1918 NPN POWER 160V/1.5A 80MHz HFE 120-390 SMD
Q5407	05-004-0032-90	XTR 2SB1275 PNP POWER 160V/1.5A 50MHz HFE 82-180 SMD
Q5401-5405	05-004-0035-90	XTR N-CH 2SK771-4 40V 20mA IDSS=2.5 - 6 mA SMD
	05-004-0036-90	TRANSISTOR SS NPN HFE30 250MHz SPT DTC114EKAT146
		TRANSISTOR SS NPN HFE20 250MHz DTC123EKAT146
LEFT POWER AMP BOARD ***SEE PAGE 115 FOR SINGLE CHANNEL SERVICE KIT # 52-940-0765-90		
PCB ASSEMBLY	NSP	T765 Left Amp Board Assembly NSP
IC & REGULATORS		
U5805	01-004-0049-00	I.C Volt Reg 12V 1A TO-220 NJM7812
U5804	01-004-0054-90	IC REG 1A TO-220(T) LM317T
U5803	01-020-0026-90	IC LM35DT TEMP SENSOR TO-220
RESISTORS		
R5528 R5530 R5628 R5630 R5728 R5730 R5536 R5636 R5736	02-005-0063-00	RES WW 0.22 OHM 5% 5W AXIAL
	02-010-0014-00	RES MO 10 OHM 5% 2W AXIAL
CAPACITORS		
C5806	03-002-0066-00	CAP ELEC 1000uF/25V±20% 105°C 10x20mm
C5518 C5618 C5718	03-004-0031-00	MPF CAP 104J/63V 5% Mini Box
TRANSISTORS		
Q5518 Q5618 Q5718	05-001-0100-90	TRANSISTOR PW DARLINGTON PNP 10A/150V TO-3PB 2SB1560
Q5517 Q5617 Q5717	05-001-0101-90	TRANSISTOR PW DARLINGTON NPN 10A/150V TO-3PB 2SD2390
VARIABLE RESISTORS		
R5521 R5621 R5721	06-004-0016-90	VR SEMI-FIX RES CF 1K OHM B 30% 6mm
COILS		
L5501 L5601 L5701	07-002-0136-90	AIR COIL 0.2uH +/-10% 1 X 9 X 13.5 TURNS
RELAYS		
M5801-5804	07-005-0043-90	RELAY POWER DC12V 10A/250V 1P1T TV5 UL/SEMKO/CQC JZC-36F-012-HSL
THERMISTOR		
M5805 M5808	20-004-0039-00	THERMISTOR PTC 100 OHM PTF M04BH471Q2N34B0

SMD ICS

U5501	01-012-0065-00	IC LOGIC 8-STAGE SHIFT-AND-STORE BUS REGISTER SMD SO16 HEF4094BT
U5802	01-014-0043-00	SMD IC AS358MTR-E1 SOIC-8 OPERA TIONAL AMPLIFIER BCD

RES SMDISTORS

R5506 R5606 R5706 R5803 R5825 R5826	02-007-0026-00 02-007-0028-00	RES SMD 47K OHM 5% 1/10W 0805 RES SMD 4.7K OHM 5% 1/10W 0805
R5808 R5811 R5816 R5818	02-007-0033-00	RES SMD 1.2K OHM 5% 1/10W 0805
R5619 R5519 R5719	02-007-0035-00	RES SMD 2K OHM +/-5% 1/10W 0805
R5537 R5637 R5737	02-007-0037-00	RES SMD 180K OHM 5% 1/10W 0805
R5806	02-007-0046-00	RES SMD 6.8K OHM 0805 5%
R5821	02-007-0058-00	RES SMD 2.2K OHM 0805 5%
R5613 R5510 R5710 R5713 R5610 R5513 R5813	02-007-0073-00 02-007-0084-00	RES SMD 470 OHM 1/8W 0805 5% RES SMD 47.5K OHM 1% 1/10W 0805
R5631 R5503 R5703 R5615 R5515 R5715 R5531 R5731 R5833 R5603 R5829 R5814 R5533 R5633 R5733	02-007-0087-00 02-007-0088-00	RES SMD 10K OHM 1/8W 0805 1% RES SMD 20K OHM 1/8W 0805 1%
R5815	02-007-0126-00	RES SMD 820 OHM +/-5% 1/10W 0805
R5532 R5632 R5732	02-007-0166-00	RES SMD 330K OHM 0805 5%
R5807 R5831	02-007-0172-00	RES SMD 12K OHM 0805 5%
R5505 R5605 R5509 R5520 R5609 R5620 R5705 R5709 R5720 R5812 R5827 R5830 R5834	02-007-0177-00	RES SMD 1K OHM 0805 1%
R5817	02-007-0227-00	RES SMD 22.1K OHM +/-1% 1/10W 0805
R5638 R5538 R5738 R5805	02-007-0258-00	RES SMD 15K OHM 1/10W 1% 0805
R5501 R5601 R5701	02-007-0308-00	RES SMD 100K OHM 5% 1/4W 1206
R5508 R5608 R5708	02-007-0316-00	RES SMD 270 OHM 5% 1/4W 1206
R5504 R5604 R5704 R5819	02-007-0318-00	RES SMD 27K OHM 5% 1/4W 1206
R5735 R5635 R5535	02-007-0323-00	RES SMD 3.3 OHM 5% 1W 2512
R5712 R5512 R5612	02-007-0324-00	RES SMD 360 OHM 5% 1/4W 1206
R5810	02-007-0325-00	RES SMD 4.22K OHM 1% 1/10W 0805
R5502 R5602 R5702	02-007-0327-00	RES SMD 470 OHM 5% 1/4W 1206
R5522 R5718 R5518 R5622 R5722 R5618 R5517 R5617 R5717	02-007-0328-00 02-007-0330-00	RES SMD 47 OHM 5% 1/2W 2010 RES SMD 56K OHM 5% 1/4W 1206
R5540 R5740 R5640 R5822	02-007-0339-00	RES SMD 1M OHM 5% 1/10W 0805
R5539 R5639 R5739 R5824	02-007-0342-00	RES SMD 22K OHM 5% 1/10W 0805
R5511 R5607 R5611 R5707 R5711 R5507 R5634 R5734 R5801-5802 R5534 R5823 R5820	02-007-0343-00 02-007-0347-00 02-007-0348-00	RES SMD 22 OHM 5% 1/10W 0805 RES SMD 33K OHM 5% 1/10W 0805 RES SMD 390 OHM 5% 1/10W 0805
R5716 R5616 R5514 R5614 R5516 R5714 R5828	02-007-0353-00 02-007-0356-00	RES SMD 47 OHM 5% 1/10W 0805 RES SMD 560 OHM 5% 1/10W 0805
R5809	02-007-0468-00	RES SMD 27K OHM 0805 1%

SMD CAPACITORS

C5812 C5813	03-009-0080-00	CAP CER SMD 0.1uF/250V 10% X7R 1210
C5710 C5510 C5610 C5805 C5807 C5811	03-009-0105-00	CAP CER SMD 0.1uF 50V 10% X7R 1206
C5705-5706 C5505 C5605-5606 C5506 C5503 C5507-5508 C5512-5515 C5603 C5607-5608 C5612-5615 C5703 C5707-5708 C5712-5715	03-009-0124-00 03-009-0125-00	CAP CER SMD 10pF 50V 5% NPO 0603 CAP CER SMD 100pF 100V 10% X7R 0805
C5619 C5519 C5719	03-009-0129-00	CAP CER SMD 150pF 100V +/-5% NPO 0603
C5817 C5818	03-009-0136-00	CAP ELEC SMD 10uF 16V +/-20% 4 x5.4
C5501 C5601 C5701 C5809	03-009-0137-00	CAP ELEC SMD 100uF 50V +/-20% 8X10.5
C5502 C5602 C5702	03-009-0141-00	CAP ELEC SMD 2.2uF 50V +/-20% 4X5.4

C5604 C5704 C5504	03-009-0144-00	CAP ELEC SMD 470uF 16V +/-20% 10X10.5
C5609 C5611 C5709 C5711 C5509 C5511 C5810 C5816	03-009-0145-00 03-009-0153-00	CAP ELEC SMD 47uF 100V +/-20% 10X10 CAP ELEC SMD 1uF/50V ±20% B CASE 4 X 5.4
C5801 C5808 C5819	03-009-0211-00	CAP ELEC SMD 220uF/16V ±20% 6.3X7.7
SMD DIODES		
D5502 D5503 D5602 D5603 D5702 D5703 D5809-D5812 D5816	04-006-0019-00	SMD Diode RECT 1A/400V DO-214AC GS1G M4 GS1G
D5504-5510 D5604-5610 D5704-5710 D5801-5802 D5804-5805 D5808 D5813 D5814 D5815 D5803 D5807	04-006-0021-90 04-007-0031-00	SMD Diode LL4148 SOD80 DIODE ZENER SMD 6.2V 500mW 5% SOD123 MMSZ5234B
D5501 D5601 D5701	04-007-0035-90	DIODE ZENER SMD 15V 500mW 5% SOD123 MMSZ5245B
SMD TRANSISTORS		
Q5501-5505 Q5511-5512 Q5519 Q5601-5605 Q5611-5612 Q5619 Q5701-5705 Q5711-5712 Q5719 Q5805-5806 Q5810	05-004-0018-90	SMD Transistor MMBT5551LT1 NPNCAP ELEC SMD SOT-23
Q5508 Q5608 Q5708 Q5807 Q5808 Q5811	05-004-0019-90	SMD Transistor MMBT5401LT1G PN PCAP ELEC SMD SOT-23
Q5710 Q5610 Q5510	05-004-0030-90	SMD XTR 2SD1918 NPN POWER 160V/1.5A 80MHz HFE 120-390
Q5506 Q5507 Q5509 Q5606 Q5607 Q5609 Q5706 Q5707 Q5709 Q5812	05-004-0031-90 05-004-0032-90	SMD XTR 2SB1275 PNP POWER 160V/1.5A 50MHz HFE 82-180 SMD XTR N-CH 2SK771-4 40V 20mA IDSS=2.5 - 6 Ma
Q5809	05-004-0035-90	TRANSISTOR SS NPN HFE30 250MHz SPT DTC114EKAT146
Q5801-5804	05-004-0036-90	TRANSISTOR SS NPN HFE20 250MHz DTC123EKAT146
MAIN BOARD PCB ASSEMBLY		
	50-901-0765-90	T765/T775/T785 AH MAIN ASSY
REGULATORS		
U7001-7002 U7004	01-004-0048-00	IC VOLT REG 5V 1A TO-220 NJM7805 FA
U7003 U7005	01-004-0049-00	IC VOLT REG 12V 1A TO-220 NJM7812
U7006	01-004-0051-00	IC VOLT REG TO-220F NJM7912
U7007	01-004-0054-90	IC REG 1A TO-220(T) LM317T
RESISTOR		
R7006	02-004-0014-00	RES FUSIBLE 0.22 OHM 10% 1/2W
CAPACITORS		
C7002-7003 C7006 C7009-7010 C7015-7016 C7018 C7021 C7023-7024 C7027-7028 C7030 C7033	03-001-0060-00	CAP CER 0.1uF 50V 20% Y5V
C7005 C7011 C7017 C7020 C7026 C7031 C7022 C7025 C7019 C7032 C7007	03-002-0066-00 03-002-0151-00 03-002-0153-00	CAP ELEC KM 1000uF 25V 20% 105C CAP ELEC 2200uF 25V 20% 105C CAP ELECT 330uF 50V 20% 85C
C7001 C7004	03-002-0160-00	CAP ELEC SK 6800uF 35V 20% 105C
C7008 C7029	03-002-0168-00	CAP ELEC SK 4700uF 25V 20% 105C

DIODES

D7004 D7006	04-001-0003-00	Diode 1N4007 DO-41 1A/1000V
D7003	04-005-0020-90	DIODE BRI 4A/70V RS402L
D7001-7002	04-005-0022-90	DIODE BRI 6A/600V RS605

RESISTORS

R7001	02-001-0442-00	RES CF 33K OHM 5% 1/6W
R7002	02-002-0129-00	RES MF 1K OHM 1% 1/6W
R7003	02-002-0134-00	RES MF 3.3K OHM 1% 1/6W

JUMPERS

JMP7 JMP9 JMP11 JMP13-17 JMP19-21	17-016-0077-00	Jumper wire Dia. 0.5mm L=52.0mm
JMP23 JMP25 JMP31 JMP33 JMP35		
D7005 JMP1-4 JMP6 JMP8 JMP10 JMP12	17-016-0080-90	Jumper Wire Dia. 0.5mm For L Smaller than 14mm
JMP18 JMP22 JMP24 JMP26-28 JMP32		
JMP34 JMP36		

PSU BOARD

PCB ASSEMBLY *AH	50-903-0765-90	T765 AH PSU ASSY
PCB ASSEMBLY *C,CT	50-904-0765-90	T765 C/CT PSU ASSY

RESISTORS

R8005*AH	02-001-0451-00	RES CONDUCTIVE PATH 3.9M OHM 1/2W 5% 250V
R8003	02-004-0014-00	RES FUSIBLE 0.22 OHM 10% 1/2W AXIAL

CAPACITORS

C8002	03-002-0148-00	CAP ELEC SS 4.7uF 50V 20% 85C
C8001	03-004-0115-00	CAP MpF 0.001uF 63V 5% DMF 5 SERIES
C8006	03-007-0014-00	HC CER CAP 0.01uF/250VAC ±20% UL/CSA/VDE

DIODES

D8001-8006	04-001-0003-00	Diode 1N4007 DO-41 1A/1000V
------------	----------------	-----------------------------

TRANSISTORS

Q8001	05-001-0072-00	Transistor SS NPN HEF 100 200MHs TO-92 C1815Y
-------	----------------	---

STANDBY-TRANSFORMER

T8001	10-005-0186-90	Transformer PW EL-35 100V/220V T05382B
-------	----------------	--

RELAYS

M8002	07-005-0056-90	RELAY POWER DC 12V 20A 220VAC ME-14FW-012-HTS UL/CUL
M8002*C,CT	07-005-0044-90	RELAY MINIATURE 12VDC/10A 1P1T TV-5 SDT-SS-112DM S/CSA/UL

FUSES

F8002*C,CT	20-001-0069-90	FUSE TIME-LAG 800mA 250V 5x20mm TSD UL/CSA/VDE/CCC
F8001*C,CT	20-001-0072-90	FUSE TIME-LAG 6.3A 250V 5X20mm TSD UL/CSA/VDE/CCC
F8002*AH	20-001-0076-90	FUSE TIME LAG 1.6A 250V 5x20mm TSD UL/CSA/VDE/SEMKO
F8001*AH	20-001-0078-90	FUSE TIME-LAG 10A/250V 5X20mm UL/CSA 5T
FH8001, FH8002	20-002-0030-90	FUES CLIP 5.2X20mm WL-210A 10A 250V

JUMPERS

JMP1 JMP2 JMP4-5	17-016-0077-00	Jumper wire Dia. 0.5mm L=52.0mm
JMP3 JP8001*C,CT JP8002*AH R8006	17-016-0080-90	Jumper Wire Dia. 0.5mm For L Smaller than 14mm

VOLUME BOARD**PCB ASSEMBLY****50-914-0765-90****T765/T775/T785 VOLUME ASSY****IC**

U6009	01-025-0002-90IC	LC78211 ANALOG FUNCTION SWITCH 30 PIN DIP
-------	------------------	---

INDUCTORS

L6010 L6011	07-002-0144-90	IND CHOKE 180uH +/-10% AXIAL EC24-181K
-------------	----------------	--

RELAYS

M6004	07-005-0049-90	RELAY DC12V 0.5A/125V 2P2T KH1-12 VDC MINIATURE PCB MOUNT
-------	----------------	---

RCA JACKS

M6001-M6003	15-003-0047-90	RCA JACK 6 R-R-R/W-W-W PCB MOUNT GOLD W/O COVER
-------------	----------------	---

SMD ICS

U6003	01-012-0065-00	IC LOGIC 8-STAGE SHIFT-AND-STORE BUS REGISTER SMD SO16 HEF4094BT
U6004-6007 U6018	01-014-0041-00	IC AUDIO LOW NOISE OP-AMP SMD NJM5532M
U6008	01-014-0051-90	IC TPA6120A2DWP HIGH FIDELITY HEADPHONE AMPLIFIER 20 PINS SOIC
U6001-6002	01-027-0012-90	IC R2S15205FP 8 CH ELECTRONIC VOLUME W/ INPUT SWITCH & TONE CTRL SMD 80 PINS QFP

RES SMDISTORS

R6040 R6016 R6052 R6064 R6028 R6004	02-007-0042-00	RES SMD 1K OHM 0603 5%
R6101-6104 R6107-6108 R6111-6116		
R6161-6162 R6199 R6093 R6094 R6097 R6098		
R6124 R6127-6128 R6135-6140 R6145-6146	02-007-0136-00	RES SMD 33K OHM 0603 5%
R6151-6156 R6123 R6258-6261		
R6018-6019 R6030-6031 R6042-6043	02-007-0139-00	RES SMD 4.7K OHM 0603 5%
R6054-6055 R6006 R6066-6067 R6079-6080		
R6085-6086 R6007 R6192 R6194 R6195		
R6213-6214 R6255 R6257	02-007-0140-00	RES SMD 47K OHM 0603 5%
R6193	02-007-0145-00	RES SMD 22K OHM 0603 5%
R6099 R6096	02-007-0146-00	RES SMD 47 OHM 0603 5%
R6100 R6095	02-007-0151-00	RES SMD 10 OHM 0603 5%
R6091 R6174-6179 R6182-6185	02-007-0157-00	RES SMD 10K OHM 0603 1%
R6034-6035 R6022-6023 R6046-6047	02-007-0267-00	RES SMD 100K OHM 5% 1/16W 0603
R6058-6059 R6070-6071 R6083-6084		
R6089-6090 R6010-6011 R6073 R6075 R6077		
R6029 R6041 R6065 R6053 R6017	02-007-0268-00	RES SMD 56K OHM 5% 1/16W 0603
R6201-6206 R6005,R6001 R6013 R6025		
R6037 R6049 R6061 R6188 R6207 R6210		
R6118 R6105 R6109-6110 R6106 R6117	02-007-0270-00	RES SMD 330 OHM 1% 1/16W 0603
R6142 R6144 R6148 R6150 R6158 R6160	02-007-0288-00	RES SMD 0 OHM 5% 1/16W 0603
R6197 R6238-6253		
R6231-6234	02-007-0292-00	RES SMD 2.2K OHM 1% 1/16W 0603

R6081-6082 R6068-6069 R6044 R6020 R6033 R6008-6009 R6045 R6021 R6032 R6087-6088 R6056-6057 R6254 R6256 R6200 R6198 R6236 R6237	02-007-0294-00 02-007-0300-00	RES SMD 470 OHM 5% 1/16W 0603 RES. SMD 200K OHM +/-5% 1/16W 0603
R6186 R6189 R6166 R6169-6170 R6074 R6092 R6078 R6076 R6187 R6165 R6167-6168 R6171 R6164 R6163 R6012 R6024 R6036 R6048 R6060 R6072 R6191	02-007-0306-00 02-007-0312-00 02-007-0319-00 02-007-0321-00 02-007-0322-00 02-007-0335-00 02-007-0372-00 02-007-0383-00	RES SMD 1K OHM 1% 1/16W 0603 RES SMD 20K OHM 1/16W 1% 0603 RES SMD 300 OHM 5% 1/16W 0603 RES SMD 3.3K OHM 1% 1/16W 0603 RES SMD 33K OHM 1% 1/16W 0603 RES SMD 75K OHM 1% 1/16W 0603 RES SMD 220 OHM 5% 1/16W 0603 RES SMD 2.7K OHM +/-1% 1/16W 0603
SMD CAPACITORS		
C6077-6080,C6116	03-009-0049-00	CAP ELEC SMD 100uF/16V ±20% 6.3X5.5
C6115 C6121 C6097 C6101 C6103 C6139 C6141 C6144-6145 C6151-6152 C6159-6160 C6167-6168 C6175-6176 C6183-6184 C6192-6193 C6198-6199 C6201-6202 C6221-6222 C6225-6226 C6229-6230 C6233-6234 C6241-6242 6237-6238 C6267 C6269	03-009-0075-00	CAP CER SMD 0.1uF 50V 20% Y5V 0603
C6001-6018 C6124 C6127 C6130-6132 C6135 C6265 C6243 C6082-6083 C6085 C6195-6197 C6158 C6204 C6166 C6174 C6182 C6150 C6191 C6112 C6113	03-009-0111-00 03-009-0112-00 03-009-0113-00 03-009-0114-00 03-009-0115-00	CAP CER SMD 100pF 50V 10% X7R 0603 CAP CER SMD 1nF 50V 10% X7R 0603 CAP CER SMD 10nF 50V 10% X7R 0603 CAP CER SMD 220pF 50V 10% X7R 0603 CAP CER SMD 2.2nF 50V 10% X7R 0603
C6114 C6096 C6100 C6119 C6099 C6095 C6118	03-009-0131-00 03-009-0134-00	CAP CER SMD 22nF 50V 20% Y5V 0603 CAP CER SMD 0.047uF 50V 10% X7R 0603
C6178 C6187 C6146 C6154 C6162 C6170 C6250 C6254 C6261-6264	03-009-0136-00 03-009-0138-00	CAP ELEC SMD 10uF 16V +/-20% 4X5.4 CAP ELEC SMD 1000uF 10V +/-20% 10x10.5
C6019-6022 C6065-6066 C6069-6074 C6081 C6084 C6122-6123 C6136 C6153 C6161 C6169 C6177 C6186 C6194 C6200 C6203 C6244-6249 C6258 C6259 C6266 C6268 C6110-6111 C6120 C6137 C6140 C6142-6143 C6086-6092 C6223-6224 C6227-6228 C6231-6232 C6235-6236 C6239-6240 C6093 C6102 C6104-6109 C6094 C6098 C6117	03-009-0140-00 03-009-0143-00 03-009-0148-00 03-009-0198-00	CAP ELEC SMD 47uF 50V +/-20% 6.3X7.7 CAP CER SMD 0.15uF 25V 10% X7R 0603
SMD DIODES		
D6001-6004 D6007	04-006-0019-00	DIODE RECT 1A/400V DO-214AC SMD GS1G M4 GS1G
D6011-6013 D6104 D6005-6006	04-006-0021-90 04-007-0042-90	SMD DIODE LL4148 SOD80 DIODE ZENER SMD 7.5V 500mW 5% SOD123 MMSZ5236B

SMD TRANSISTORS

Q6005-6016 Q6021-6024 Q6026-6027 Q6101	05-004-0017-00 05-004-0030-90	SMD Transistor 2SC4695 NPN SOT-23 XTR 2SD1918 NPN POWER 160V/1.5A 80MHz HFE 120-390 SMD
Q6102	05-004-0031-90	XTR 2SB1275 PNP POWER 160V/1.5A 50MHz HFE 82-180 SMD
Q6025	05-004-0036-90	TRANSISTOR SS NPN HFE20 250MHz DTC123EKAT146
Q6017-6020	05-004-0037-90	TRANSISTOR SS PNP HFE 30 250MHz SPT DTA114EKAT146

DSP BOARD

PCB ASSEMBLY*AH
PCB ASSEMBLY*C,CT

50-918-0765-90
50-945-0765-90

T765 AH DSP ASSY
T765 C/CT DSP ASSY

FIBER OPTIC

M1004	04-004-0007-90	FIBER OPTIC TRANSMITTER 650nm 5V JST1164
M1001-1003	04-009-0004-90	FIBRE OPTIC RECEIVING UNIT 700nm JSR1164-D

INDUCTORS

L1008-1014	07-002-0132-90	IND CHOKE 10uH +/-10% AXIAL EC24- 100K
L1007	07-002-0134-90	IND CHOKE 22uH +/-10% AXIAL EC24- 220K

TACT SWITCH

S1001	11-007-0061-90	SW TACT 1P1T 50mA/12V VER H=5mm LUG FUNG
-------	----------------	---

RCA JACKS

M1005 M1006 M1007 M1008	15-003-0034-90	RCA JACK 1 ORANGE PCB MOUNT GOLD W/SHIELD
-------------------------	----------------	--

SMD ICS

U1020	01-004-0056-90	IC VOLT REG. LOW DROPOUT 3.3V 1A SOT-223 LM1117S-3.3
U1034	01-004-0061-90	IC VOLT REG LOW DROPOUT 5.0V 1A SOT-223 LM1117S-5.0
U1004	01-011-0032-90	IC FLASH MEMORY SMD 8M 3.3V SST39VF800A-70-4C-EK TSOP
U1003	01-011-0033-90	IC SDRAM 1M X 4 X 16BIT 133MHz SMD 54PIN TSOP(II) K4S641632K-T(U)C/L75
U1033	01-012-0060-00	IC LOGIC QUAD 2-INPUT MULTIPLEX ER 74HC157D
U1005, U1006*C,CT	01-012-0061-00	IC LOGIC 8-CHANNEL MULTIPLEXER SOP 74HC251D
U1007 U1008	01-012-0065-00	IC LOGIC 8-STAGE SHIFT-AND-STORE BUS REGISTER SMD SO16 HEF4094BT
U1018-1019	01-012-0066-00	IC LOGIC HEX INVERTER SMD SOP 74HCU04D
U1010 U1022	01-012-0068-90	IC LOGIC OCTAL BUS TRANSCEIVER WITH 3-STATE OUTPUTS 20PIN TSSOP SN74LVC245APWER
U1011	01-012-0074-90	IC PWM CONTROL IC SOP8 TL5001CD
U1009	01-012-0083-90	IC LOGIC OCTAL BUS TRANSCEIVERS WITH 3-STATE OUTPUTS SMD SN74H CT245PWR
U1023 U1027-1031	01-014-0041-00	IC AUDIO LOW NOISE OP-AMP SMD NJM5532M

U1017	01-020-0022-90	IC AUDIO STEREO ADC PCM1802 SOP20
U1021	01-020-0023-90	IC SUPPLY-VOLTAGE SUPERVISORY IC SOP6 TPS3103E12DBVR
U1002	01-020-0024-90	IC 192KHz DIGITAL AUDIO INTERFACE RECEIVER 28PIN SOIC CS8416 -CS
U1032	01-020-0030-90	IC XMDT IC BU9450KV VQFP48C
U1001	01-027-0007-90	IC D707E001BRFP250 FLOATING- POINT DSP SMD 144 PINS RFP
U1012-1016	01-027-0011-90	IC PCM1791A 24-BIT 192kHz AUDIO STEREO DAC SMD 28 PIN SSOP

RES SMDISTORS

R1006 R1013 R1020 R1032 R1231 R1242-1243*AH	02-007-0042-00	SMD R 1K OHM 0603 5%
R1022-1024 R1034	02-007-0134-00	RES SMD 4.7 OHM 0805 5%
R1316-1317 R1035*C,CT	02-007-0139-00	SMD R 4.7K OHM 0603 5%
R1005 R1012 R1019 R1031 R1061 R1071-1072	02-007-0140-00	SMD R 47K OHM 0603 5%
R1062 R1069 R1240 R1244-1245*AH R1028	02-007-0141-00 02-007-0146-00	SMD R 100 OHM 0603 5% SMD R 47 OHM 0603 5%
R1078-1079 R1082-1083 R1086-1087 R1090-1091 R1167-1168 R1226 R1190 R1199 R1208	02-007-0151-00	SMD R 10 OHM 0603 5%
R1050	02-007-0153-00	SMD R 20K OHM 0603 5%
R1066 R1077 R1080-1081 R1084-1085 R1088-1089 R1092 R1166 R1169 R1196	02-007-0157-00	SMD R 10K OHM 0603 1%
R1223-1224 R1230 R1236-1237 R1259-1264 R1267 R1268 R1270 R1271 R1186 R1114 R1123 R1129 R1139 R1149 R1159 R1098 R1107 R1176 R1298 R1301 R1191 R1200 R1205 R1206 R1188 R1192 R1197 R1201 R1249-1253*AH	02-007-0267-00	RES SMD 100K OHM 5% 1/16W 0603
R1001 R1008 R1015 R1232 R1246-1247*AH R1256*AH R1276-1294 R1300 R1318-1319 R1322-R1325	02-007-0288-00	RES SMD 0 OHM 5% 1/16W 0603
R1239	02-007-0291-00	RES SMD 150 OHM 5% 1/16W 0603
R1007 R1014 R1021 R1025-1027 R1047 R1320-1321	02-007-0292-00	RES SMD 2.2K OHM 1% 1/16W 0603
R1037-1041 R1265-1266 R1073	02-007-0293-00 02-007-0300-00	RES SMD 33 OHM 5% 1/16W 0603 RES. SMD 200K OHM +/-5% 1/16W 0603
R1045 R1099 R1108 R1115 R1130 R1140 R1150 R1160 R1177 R1187 R1241	02-007-0301-00	RES. SMD 620 OHM +/-5% 1/16W 0603
R1096-1097 R1105-1106 R1112-1113 R1121-1122 R1127-1128 R1136-1137 R1146-1147 R1156-1157 R1173-1174 R1183-1184	02-007-0309-00	RES SMD 1.18K OHM 1%1/10W 0603
R1095 R1104 R1111 R1120 R1126 R1135 R1138 R1145 R1148 R1155 R1158 R1161-1165 R1172 R1175 R1182 R1185	02-007-0334-00	RES SMD 7.5K OHM 1% 1/16W 0603
R1049	02-007-0337-00	RES SMD 91K OHM 1% 1/16W 0603
R1002 R1009 R1016 R1029 R1042-R1044 R1046	02-007-0341-00	RES SMD 120 OHM 5% 1/16W 0603
R1068	02-007-0345-00	RES SMD 3K OHM 5% 1/16W 0603
R1074	02-007-0350-00	RES SMD 39K OHM 5% 1/16W 0603
R1003 R1010 R1017 R1030	02-007-0351-00	RES SMD 39 OHM 5% 1/16W 0603
R1004 R1011 R1018	02-007-0357-00	RES SMD 75 OHM 5% 1/16W 0603
R1093-1094 R1102-1103 R1109-1110 R1118-1119 R1124-1125 R1133-1134 R1143-1144 R1153-1154 R1170-1171 R1180-1181	02-007-0383-00	RES SMD 2.7K OHM +/-1% 1/16W 0603

SMD CAPACITORS

C1003 C1007 C1011 C1013 C1015 C1017 C1019 C1023 C1025 C1026*C,CT C1028 C1030 C1032 C1035-1037 C1047 C1049 C1051 C1053 C1056 C1062 C1064 C1067-1068 C1070 C1077 C1079-1124 C1127-1131 C1134-1136 C1154-1155 C1159-1160 C1164-1165 C1169 C1171 C1243-1244 C1288 C1293 C1296 C1299 C1303-1305*AH C1311*AH C1313 C1315-1322*AH C1330*AH C1341 C1342 C1344 C1297	03-009-0075-00	CAP CER SMD 0.1uF 50V 20% Y5V 0603
C1175-1176 C1182-1183 C1189-1190 C1196-1197 C1203-1204 C1210-1211 C1217-1218 C1224-1225 C1249-1250 C1259-1260	03-009-0104-00	SMD CER CAP 27pF/50V +10% NPO 0603 CAP CER SMD 2700pF 50V 10% X7R 0603
C1042 C1230-1231 C1233-1234 C1236 C1238 C1241 C1300-1302	03-009-0111-00	CAP CER SMD 100pF 50V 10% X7R 0603
C1044 C1063 C1065	03-009-0112-00	CAP CER SMD 1nF 50V 10% X7R 0603
C1001 C1004-1005 C1008-1009 C1012 C1022 C1038 C1043	03-009-0113-00	CAP CER SMD 10nF 50V 10% X7R 0603
C1002 C1006 C1010	03-009-0114-00	CAP CER SMD 220pF 50V 10% X7R 0603
C1039	03-009-0117-00	CAP CER SMD 330pF 50V 10% X7R 0603
C1058	03-009-0128-00	CAP CER SMD 1200pF 50V 10% X7R 0603
C1048 C1050 C1054	03-009-0128-90	CAP ELEC SMD 470uF/10V ±20% G TAPE
C1021	03-009-0130-00	CAP CER SMD 22pF 50V 5% COG 0603
C1045	03-009-0131-00	CAP CER SMD 22nF 50V 20% Y5V 0603
C1066	03-009-0133-00	CAP CER SMD 470pF 50V 5% NPO 0603
C1014 C1016 C1018 C1020 C1024 C1027*C,CT C1031 C1033-1034 C1046 C1052 C1069 C1071 C1076 C1078 C1153 C1157-1158 C1162-1163 C1167-1168 C1170 C1173-1174 C1180-1181 C1187-1188 C1194-1195 C1201-1202 C1208-1209 C1215-1216 C1222-1223 C1242 C1246-1248 C1257-1258 C1264 C1269 C1294-1295 C1312 C1156 C1161 C1166 C1172 C1245 C1298 C1340 C1343 C1345	03-009-0136-00	CAP ELEC SMD 10uF 16V +/-20% 4X5.4
C1055	03-009-0138-00	CAP ELEC SMD 1000uF 10V +/-20% 10X10.5
C1265 C1270 C1332	03-009-0140-00	CAP ELEC SMD 22uF 16V +/-20% 5X5.4
C1179 C1186 C1193 C1200 C1207 C1214 C1221 C1228 C1253 C1263	03-009-0142-00	CAP ELEC SMD 3.3uF 50V +/-20% 4X5.4
C1029 C1137-1141 C1143 C1146-1150 C1152 C1323*AH	03-009-0143-00	CAP ELEC SMD 47uF 50V +/-20% 6.3X7.7
C1287	03-009-0153-00	CAP ELEC SMD 1uF/50V ±20% B CASE 4 X 5.4
C1177-1178 C1184-1185 C1191-1192 C1198-1199 C1205-1206 C1212-1213 C1219-1220 C1226-1227 C1251-1252 C1261-1262	03-009-0157-00	CAP CER SMD 560pF 50v 10% X7R 0603
C1268 C1273	03-009-0211-00	CAP ELEC SMD 220uF/16V ±20% 6.3X7.7

SMD DIODES

D4001 D4002	04-006-0021-90	SMD DIODE LL4148 SOD80
-------------	----------------	------------------------

SMD TRANSISTORS

Q1016	05-001-0096-90	XTR PW PNP 5A/60V SC-63 2SA1952TLQ
Q1020-1022	05-004-0017-00	SMD Transistor 2SC4695 NPN SOT-23
Q1017*C,CT Q1024 Q1030 Q1032-1033	05-004-0035-90	TRANSISTOR SS NPN HFE30 250MHz SPT DTC114EKAT146
Q1025 Q1031 Q1034-1035	05-004-0037-90	TRANSISTOR SS PNP HFE 30 250MHz SPT DTA114EKAT146

SMD INDUCTORS

L1018	07-007-0017-90	IND 2.7uH SMD 10% 0805 CI201209-2 R7KG
L1020 L1021 L1022 L1023	07-007-0035-90	IND SMD 1.5uH 10% 0805 CI2012-1R5K
L1001-1004	10-009-0005-90	DIGITAL AUDIO INTERFACE SIGNAL TRANSFORMER ER9.5 225uH RA070228-1

SMD OSCILLATORS

X1001C	14-004-0020-90	CRYSTAL OSCILLATOR 24.576MHz 3.3V 50ppm 30pF
X1003	14-004-0024-90	CRYSTAL OSCILLATOR 45.1584MHz 3.3V 50ppm 30pF

**COMPOSITE VIDEO BOARD
PCB ASSEMBLY**

50-920-0765-90

T765 COMPOSITE VIDEO ASSY**CAPACITORS**

C4112 C4108 C4116 C4124 C4126	03-002-0014-00	E CAP 470uF/16V 85*C 8X12mm P=3.5
C4128-4130 C4139-4140 C4145-4146 C4152	03-002-0129-00	CAP ELEC SS 10uF 16V 20% 85C RAD HEIGHT =7mm MAX
C4132	03-002-0135-00	CAP ELEC GS 1000uF 10V 20% 85C RAD ST5
C4134 C4137 C4119 C4117 C4141 C4131	03-002-0144-00	CAP ELEC SS 47uF 50V 20% 85C RAD 8x9mm
C4101-4107 C4109-4111 C4113-4115 C4121-4123 C4125 C4127,C4147	03-002-0157-00	CAP ELEC SS 2.2uF 50V 20% 85C RAD HEIGHT=7mm MAX

RCA JACKS

M4101-M4108	15-003-0032-90	RCA JACK 1 YELLOW & S-VIDEO PCB MOUNT W/COVER DASW-8.4-11
M4109	15-003-0037-90	RCA JACK 1 Y PCB MOUNT GOLD W/ COVER

SMD ICS

U4103-4106	01-012-0062-00	IC LOGIC 8-CHANNEL ANALOG MUX/ DEMUX SMD 74HC4051D
U4107	01-012-0065-00	IC LOGIC 8-STAGE SHIFT-AND-STORE BUS REGISTER SMD SO16 HEF4094BT
U4101-4102	01-026-0001-90	IC VIDEO 3-CHANNEL 75 OHM DRIVER SSOP BA7660FS

RES SMDISTORS

R4125 R4134	02-007-0042-00	RES SMD 1K OHM 0603 5%
R4149-4150	02-007-0089-00	RES. SMD 0 OHM +/-5% 1/10W 0805
R4113-4114 R4107-4108 R4142	02-007-0141-00	RES SMD 100 OHM 0603 5%

R4121 R4122 R4133 R4132	02-007-0146-00	RES SMD 47 OHM 0603 5%
R4119 R4120 R4151 R4152	02-007-0151-00	RES SMD 10 OHM 0603 5%
R4143-4144 R4146-4147	02-007-0157-00	RES SMD 10K OHM 0603 1%
R4135 R4126 R4145 R4148	02-007-0267-00	RES SMD 100K OHM 5% 1/16W 0603
R4123 R4161 R4162	02-007-0288-00	RES SMD 0 OHM 5% 1/16W 0603
R4156 R4157	02-007-0289-00	RES SMD 68 OHM +/-1% 1/16W 0603
R4139-4140 R4137-4138	02-007-0352-00	RES SMD 470K OHM 5% 1/16W 0603
R4101-4106 R4109-4112 R4115-R4118	02-007-0357-00	RES SMD 75 OHM 5% 1/16W 0603
R4124 R4127-4131 R4136 R4160		
SMD CAPACITORS		
C4118 C4120 C4135 C4138 C4153	03-009-0075-00	CAP CER SMD 0.1uF 50V 20% Y5V 0603 TAPE
C4142-4143	03-009-0113-00	CAP CER SMD 10nF 50V 10% X7R 0603 TAPE
SMD DIODES		
D4101-4106	04-006-0021-90	SMD Diode LL4148 SOD80
SMD TRANSISTORS		
Q4102 Q4104 Q4107-4108 Q4113-4114	05-004-0017-00	SMD Transistor 2SC4695 NPN SOT-23
Q4101 Q4103 Q4109-4112 Q4118	05-004-0034-90	TRANSISTOR 2SA1037AKS PNP HFE 270-560 140MHz SMD SMT3
Q4105-4106 Q4115-4116	05-004-0036-90	TRANSISTOR SS NPN HFE20 250MHz DTC123EKAT146
JUMPERS		
JMP17 JMP21-25 JMP29 JMP31 JMP35	17-016-0077-00	Jumper wire Dia. 0.5mm L=52.0mm
JMP42-48 JMP50-62 JMP65 JMP70-74		
JMP76 JMP83-87 JMP89 JMP94-95		
JMP99-100 JMP102 JMP105-106		
JMP108-112 JMP114-116 JMP124-125		
JMP127 JMP131 JMP135-136		
JMP1-16 JMP18-20 JMP26-28 JMP30	17-016-0080-90	Jumper Wire Dia. 0.5mm For L Smaller than 14mm
JMP32-34 JMP36-41 JMP49 JMP63-64		
JMP66-69 JMP75 JMP77-82 JMP86 JMP88		
JMP90-93 JMP96-98 JMP101 JMP103-104		
JMP107 JMP113 JMP117-123 JMP126		
JMP128-130 JMP132-134 JMP137		
KEYBOARD		
PCB ASSEMBLY	50-922-0765-90	T765/T775/T785 KEYBOARD ASSY
CAPACITORS		
C2208	03-002-0137-00	CAP ELEC SS 1uF 50V 20% 85C RAD HEIGHT= 7mm MAX
C2211	03-002-0143-00	CAP ELEC SS 47uF 16V 20% 85C RAD HEIGHT = 7mm MAX
IR		
D2202	04-009-0003-90	IR RX 37.9kHz SHIELD RT FM-6038TM2-5AN
ENCODER		
M2201	06-006-0009-90	ENCODER ROTATRY STD L=20MM VERT. W/O CLICK
TACT SWITCH		
S2201-S2218	11-007-0061-90	SW TACT NO 1P1T 50mA/12V VER H=5mm

VFD VD2201	12-005-0029-90	VFD 16-BT-130-GINK T775
LED D2201	12-006-0125-90	LED RED-ORN-BLU CIRCULAR 5X8.7MM BL-BUBJFB52C4V-1 COMMON ANODE
SMD IC U2201	01-012-0065-00	IC LOGIC 8-STAGE SHIFT-AND-STORE BUS REGISTER SMD SO16 HEF4094BT
RES SMDISTORS R2201 R2237-R2239 R2204 R2202 R2232-2233 R2210 R2207 R2212-2216 R2230-2231 R2203 R2211 R2234-2236 R2240 R2241 R2205 R2209 R2206 R2208	02-007-0042-00 02-007-0136-00 02-007-0139-00 02-007-0141-00 02-007-0151-00 02-007-0157-00 02-007-0292-00 02-007-0294-00 02-007-0315-00	RES SMD 1K OHM 0603 5% RES SMD 33K OHM 0603 5% RES SMD 4.7K OHM 0603 5% RES SMD 100 OHM 0603 5% RES SMD 10 OHM 0603 5% RES SMD 10K OHM 0603 1% RES SMD 2.2K OHM 1% 1/16W 0603 RES SMD 470 OHM 5% 1/16W 0603 RES SMD 22 OHM 5% 1/4W 1206
SMD CAPACITORS C2201-2204 C2207 C2210 C2205-2206 C2212	03-009-0075-00 03-009-0111-00 03-009-0119-00	CAP CER SMD 0.1uF 50V 20% Y5V 0603 CAP CER SMD 100pF 50V 10% X7R 0603 CAP CER SMD 4.7nF 50V 10% X7R 0603
SMD DIODES D2204-2209 D2203	04-006-0021-90 04-007-0031-00	SMD Diode LL4148 SOD80 DIODE ZENER SMD 6.2V 500mW 5% SOD123 MMSZ5234B
SMD TRANSISTORS Q2201 Q2202-Q2204 Q2205 Q2206	05-004-0030-90 05-004-0037-90	XTR 2SD1918 NPN POWER 160V/1.5A 80MHz HFE 120-390 SMD TRANSISTOR SS PNP HFE30 250MHz SPT DTA114EKAT146
JUMPERS JMP1, JMP3, JMP5-12, JMP16, JMP20-23 JMP26-29, JMP32-34, JMP36, JMP38, JMP43 JMP2, JMP4, JMP13-15, JMP17-19, JMP24-25, JMP30-31, JMP35, JMP37, JMP39-41	17-016-0077-00 17-016-0080-90	Jumper wire Dia. 0.5mm L=52.0mm Jumper Wire Dia. 0.5mm For L Smaller than 14mm
PRE-OUT BOARD PCB ASSEMBLY	50-924-0765-90	T765/T775/T785 PRE-OUT ASSY
RCA JACKS M6502,M6504 M6505 M6501,M6503	15-003-0022-90 15-003-0036-90 15-003-0046-90	RCA JACK 2 B/B PCB MOUNT GOLD RS-213G-02(W) RCA JACK 1 BLACK PCB MOUNT GOLD W/O COVER RCA JACK 6 W-W-W/R-R-R PCB MOUNT GOLD W/O SHIELD

SMD ICS

U6901	01-012-0065-00	IC LOGIC 8-STAGE SHIFT-AND-STORE BUS REGISTER SMD SO16 HEF4094BT
U6501 U6601 U6701 U6801	01-014-0041-00	IC AUDIO LOW NOISE OP-AMP SMD NJM5532M

RES SMDISTORS

R6901-6902 R6907-6908 R6913-6914 R6919-6920	02-007-0042-00	RES SMD 1K OHM 0603 5%
R6971-6979	02-007-0089-00	RES SMD 0 OHM 1/8W 0805 5%
R6924 R6917-6918 R6905-6906 R6911-6912 R6923	02-007-0136-00	RES SMD 33K OHM 0603 5%
R6502 R6602 R6702 R6802 R6513 R6613 R6713 R6813 R6524 R6624 R6724 R6824 R6535 R6635 R6735	02-007-0140-00	RES SMD 47K OHM 0603 5%
R6632 R6531-6532 R6642-6643 R6647 R6648 R6610 R6509-6510 R6709-6710 R6609 R6620-6621 R6720-6721 R6731-6732 R6747 R6748 R6521 R6742-6743 R6542 R6809-6810 R6520 R6543 R6547 R6548 R6820-6821 R6831-6832 R6848-R6850 R6631	02-007-0267-00	RES SMD 100K OHM 5% 1/16W 0603
R6501 R6504 R6512 R6515 R6601 R6604 R6612 R6615, R6701 R6704 R6712 R6715 R6801 R6804 R6812 R6815, R6955 - R6962 R6940 R6945-6946 R6927-6928 R6933-6934 R6951 R6939 R6723 R6734 R6551 R6552 R6651 R6652 R6751 R6752 R6851 R6980-6985	02-007-0288-00	RES SMD 0 OHM 5% 1/16W 0603
R6517-6518 R6528-6529 R6539-6540 R6506 R6606-6607 R6507 R6617-6618 R6628-6629 R6639-6640 R6706-6707 R6717-6718 R6728-6729 R6739-6740 R6806-6807 R6817-6818 R6828-6829	02-007-0292-00 02-007-0294-00	RES SMD 2.2K OHM 1% 1/16W 0603 RES SMD 470 OHM 5% 1/16W 0603
R6608 R6508 R6616 R6519 R6619 R6505 R6705 R6708 R6716 R6719 R6805 R6808 R6516 R6816 R6819 R6605 R6527 R6530 R6538 R6541 R6627 R6630 R6638 R6641 R6727 R6730 R6738 R6741 R6827 R6830 R6523 R6534 R6646 R6545 R6746 R6845-6847 R6645 R6546 R6745	02-007-0295-00	RES SMD 4.7K OHM +/-1% 1/16W 0603
R6623 R6634 R6644 R6711 R6744 R6622 R6511 R6811 R6544 R6722 R6822 R6823 R6533 R6733 R6522 R6833 R6611 R6633	02-007-0319-00 02-007-0372-00	RES SMD 300 OHM 5% 1/16W 0603 RES SMD 220 OHM 5% 1/16W 0603

SMD CAPACITORS

C6626-6627 C6526-6527 C6519 C6719-6720 C6726-6727 C6520 C6619 C6819-6820 C6620 C6974	03-009-0075-00	CAP CER SMD 0.1uF 50V 20% Y5V 0603
C6903-6904 C6907-6908 C6911-6912 C6915-6916	03-009-0111-00	CAP CER SMD 100pF 50V 10% X7R 0603
C6502 C6509 C6516 C6523 C6529-6530 C6602 C6609 C6616 C6623 C6629-6630 C6702 C6709 C6716 C6723 C6729-6730 C6802 C6809 C6816 C6830-6831 C6869	03-009-0114-00	CAP CER SMD 220pF 50V 10% X7R 0603
C6501 C6508 C6601 C6608 C6701 C6708 C6801 C6808 C6973	03-009-0136-00	CAP ELEC SMD 10uF 16V +/-20% 4X5.4
C6980-6985	03-009-0138-00	CAP ELEC SMD 1000uF 10V +/-20% 10x10.5

TRANSISTORS		
Q8201 Q8203 Q8205 Q8208 Q8210 Q8212	05-001-0072-00	Transistor SS NPN HEF 100 200MHs TO-92 C1815Y
Q8202 Q8204 Q8209 Q8211	05-001-0080-00	TRANSISTOR SS PNP HFE 100 200MHz TO-92 A1015Y
Q8206-8207 Q8213-8214	05-001-0083-00	TRANSISTOR SS PNP HFE 280-560 110MHz 2SA1016KG-AA
VARIABLE RESISTORS		
R8214 R8217	06-004-0017-90	VR SEMI-FIXED RESISTOR CF 50K OHM 30% B 6mm
SMD ICS		
U8201	01-014-0041-00	IC AUDIO LOW NOISE OP-AMP SMD NJM5532M
RES SMDISTORS		
R8209 R8203	02-007-0042-00	RES SMD 1K OHM 0603 5%
R8225 R8230	02-007-0139-00	RES SMD 4.7K OHM 0603 5%
R8206 R8212 R8215 R8218	02-007-0157-00	RES SMD 10K OHM 0603 1%
R8201-8202 R8207-8208	02-007-0267-00	RES SMD 100K OHM 5% 1/16W 0603
R8205 R8204 R8210-8211	02-007-0292-00	RES SMD 2.2K OHM 1% 1/16W 0603
R8216 R8213	02-007-0333-00	RES SMD 680K OHM 5% 1/16W 0603
SMD CAPACITORS		
C8201 C8205	03-009-0075-00	CAP CER SMD 0.1uF 50V 20% Y5V 0603
JUMPERS		
MP4,JMP7-JMP16,JMP18-20	17-016-0077-00	Jumper wire Dia. 0.5mm L=52.0mm
JMP1,JMP2,JMP3,JMP5-6,JMP17,JMP21-24	17-016-0080-90	Jumper Wire Dia. 0.5mm For L Smaller than 14mm
SPEAKER BOARD		
PCB ASSEMBLY	50-927-0765-90	T765 SPEAKER ASSY
SPEAKER TERMINALS		
M9201-M9203	16-001-0429-90	SPEAKER TERMINAL 6P BINDING R/B W/O PLUG KF-J5000-06
TRIGGER BOARD		
PCB ASSEMBLY*AH	50-930-0765-90	T765/T775/T785 AH TRIGGER ASSY
PCB ASSEMBLY*C,CT	50-947-0765-90	T765/T775/T785 C/CT TRIGGER ASSY
CAPACITORS		
C2314 C2316 C2325 C2328 C2329	03-002-0129-00	CAP ELEC SS 10uF 16V 20% 85C RAD HEIGHT =7mm MAX
C2318-2320 C2324	03-002-0137-00	CAP ELEC SS 1uF 50V 20% 85C RAD HEIGHT= 7mm MAX
C2311*C,CT	03-002-0143-00	CAP ELEC SS 47uF 16V 20% 85C RAD HEIGHT = 7mm MAX
SLIDE SWITCHES		
S2301-S2302	11-002-0042-90	SW SLIDE 2P2T RIGHT L=9
JACKS		
M2301-M2304	15-002-0030-90	PHONE JACK X2 BLACK PCB MOUNT 3.5mm RIGHT ANGLE SCJ351 P00XS0B00G
M2306*C,CT	15-017-0003-90	DIN MINI JACK BLACK PCB MOUNT W/ COVER RIGHT ANGLE 9 PINS

XM CONNECTOR

M2307*AH	16-001-0440-90	XM 4 PINS SMALL CONNECTOR B TYPE 2.4mm PCB MOUNT
----------	----------------	---

DAB CONNECTOR

M2306*C,CT	15-017-0003-90	DIN MINI JACK BLACK PCB MOUNT W/ COVER RIGHT ANGLE 9 PINS
------------	----------------	--

DB9 CONNECTOR

M2305	16-002-0200-90	DB9 FEMALE CONNECTOR PCB MOUNT RIGHT ANGLE
-------	----------------	---

COILS

L2301-L2303	07-002-0154-90	COIL 15uH ±30% W/BEAD RH3.5 X 1.3 X 3-4.5Ts-A
-------------	----------------	--

SMD ICS

U2304*C,CT	01-004-0056-90	IC VOLT REG. LOW DROPOUT 3.3V 1A SOT-223 LM1117S-3.3
U2303	01-012-0075-90	IC 74HC86D LOGIC QUAD 2-INPUT EXCLUSIVE-OR GATE SMD 14 PINS SOIC
D2308*AH	01-012-0076-90	IC CM1213 8-Channel Low Capacitance ESD Protection Arrays CM1213-08MR
U2301	01-015-0005-90	IC RS-232 DRIVERS AND RECEIVERS ST232BDR
U2302	01-028-0003-90	IC TPS2011A 8-SOIC LEAD FREE

RES SMDISTORS

R2330*C,CT	02-007-0042-00	RES SMD 1K OHM 0603 5%
R2341	02-007-0127-00	RES SMD 15K OHM 0603 5%
R2309	02-007-0136-00	RES SMD 33K OHM 0603 5%
R2329,R2348*C,CT	02-007-0139-00	RES SMD 4.7K OHM 0603 5%
R2320-2321	02-007-0146-00	RES SMD 47 OHM 0603 5%
R2324	02-007-0149-00	RES SMD 1.8K OHM 0603 5%
R2304 R2308 R2313 R2316 R2319	02-007-0157-00	RES SMD 10K OHM 0603 1%
R2322-2323 R2344-2346 R2351		
R2356	02-007-0208-00	RES SMD 0 OHM 1/8W 1206 5%
R2310	02-007-0267-00	RES SMD 100K OHM 5% 1/16W 0603
R2331-2332*AH, R2339	02-007-0288-00	RES SMD 0 OHM 5% 1/16W 0603
R2303	02-007-0292-00	RES SMD 2.2K OHM 1% 1/16W 0603
R2311-2312 R2314-2315 R2317-2318	02-007-0323-00	RES SMD 3.3 OHM 5% 1W 2512
R2354	02-007-0343-00	RES SMD 22 OHM 5% 1/10W 0805
R2305-2307	02-007-0356-00	RES SMD 560 OHM 5% 1/10W 0805
R2358 R2359	02-007-0396-00	RES SMD 100 OHM +/-5% 1W 2512

SMD CAPACITORS

C2305-2308 C2310*C,CT C2315 C2326-2327	03-009-0075-00	CAP CER SMD 0.1uF 50V 20% Y5V 0603
C2302-2304	03-009-0078-00	CAP CER SMD 47pF/50V 10% NPO 0603
C2317	03-009-0111-00	CAP CER SMD 100pF 50V 10% X7R 0603
C2301	03-009-0113-00	CAP CER SMD 10nF 50V 10% X7R 0603

SMD DIODES

D2301-2306 D2307*C,CT	04-006-0021-90	SMD Diode LL4148 SOD80
-----------------------	----------------	------------------------

SMD TRANSISTORS

Q2309 Q2311 Q2313	05-004-0031-90	XTR 2SB1275 PNP POWER 160V/1.5A 50MHz HFE 82-180 SMD
-------------------	----------------	---

Q2301 Q2303 Q2305 Q2307-2308 Q2310 Q2312 Q2314 Q2321 Q2316-2319* <i>C,CT</i> Q2302 Q2304 Q2306 Q2320	05-004-0035-90 05-004-0037-90	TRANSISTOR SS NPN HFE30 250MHz SPT DTC114EKAT146 TRANSISTOR SS PNP HFE 30 250MHz SPT DTA114EKAT146
JUMPERS		
JMP3, JMP6, JMP14, JMP19-21, JMP34,JMP41-42	17-016-0077-00	Jumper wire Dia. 0.5mm L=52.0mm
JMP1-2, JMP4-5, JMP7-13, JMP15-18, JMP22-33, JMP35-40, JMP43-44	17-016-0080-90	Jumper Wire Dia. 0.5mm For L Smaller than 14mm
VIDEO 6 BOARD		
PCB ASSEMBLY	50-931-0765-90	T765/T775/T785 VIDEO-6 ASSY
CAPACITORS		
C9309 C9307 C9315 C9320-9321 C9302-9305 C9314	03-002-0073-00 03-002-0140-00	CAP ELEC 22uF/16VP=1.5 D=4.2 H=7.6 CAP ELEC SS 2.2uF 50V 20% 85C RAD P=1.5
FIBRE OPTIC		
M9301	04-009-0004-90	FIBRE OPTIC RECEIVING UNIT 700nm JSR1164-D
JACKS		
M9302	15-002-0028-90	PHONE JACK 1 BLACK PCB MOUNT 3.5mm RIGHT
M9308	15-002-0029-90	PHONE JACK D6.3 1 PCB MOUNT GOLD
M9305	15-003-0048-90	RCA JACK 1 YELLOW PCB MOUNT GOLD RCA-105BL1-13Z1
M9306	15-003-0049-90	RCA JACK 1 RED PCB MOUNT GOLD RCA-105AL1-14Z1
M9307	15-003-0050-90	RCA JACK 1 WHITE PCB MOUNT GOLD RCA-105AL1-12Z1
M9304	15-017-0001-90	DIN JACK 1 BLACK PCB MOUNT MD-113
SMD IC		
U9301	01-014-0041-00	IC AUDIO LOW NOISE OP-AMP SMD NJM5532M
RES SMDISTORS		
R9333	02-007-0042-00	RES SMD 1K OHM 0603 5%
R9301	02-007-0134-00	RES SMD 4.7 OHM 0805 5%
R9307 R9310 R9311 R9330-9332	02-007-0136-00	RES SMD 33K OHM 0603 5%
R9320 R9323 R9327	02-007-0139-00	RES SMD 4.7K OHM 0603 5%
R9313	02-007-0143-00	RES SMD 18K OHM 0603 5%
R9319 R9326	02-007-0157-00	RES SMD 10K OHM 0603 1%
R9317	02-007-0160-00	RES SMD 43K OHM 0603 5%
R9325 R9324	02-007-0267-00	RES SMD 100K OHM 5% 1/16W 0603
R9305 R9308 R9328 R9329	02-007-0288-00	RES SMD 0 OHM 5% 1/16W 0603
R9314,R9316	02-007-0292-00	RES SMD 2.2K OHM 1% 1/16W 0603
R9321-9322	02-007-0294-00	RES SMD 470 OHM 5% 1/16W 0603
R9318	02-007-0319-00	RES SMD 300 OHM 5% 1/16W 0603
R9302-9304	02-007-0357-00	RES SMD 75 OHM 5% 1/16W 0603
SMD CAPACITORS		
C9301 C9316-9317 C9323-9324 C9306 C9308 C9318-9319	03-009-0075-00 03-009-0111-00	CAP CER SMD 0.1uF 50V 20% Y5V 0603 CAP CER SMD 100pF 50V 10% X7R 0603

C9310-9311	03-009-0112-00	CAP CER SMD 1nF 50V 10% X7R 0603
C9326	03-009-0113-00	CAP CER SMD 10nF 50V 10% X7R 0603
C9313	03-009-0114-00	CAP CER SMD 220pF 50V 10% X7R 0603
C9322	03-009-0116-00	CAP CER SMD 33pF 50V 10% X7R 0603
C9325	03-009-0127-00	CAP CER SMD 1uF 16V +80/-20% Y5V 0805
SMD TRANSISTORS		
Q9303-9304 Q9305	05-004-0017-00	SMD Transistor 2SC4695 NPN SOT-23
Q9301-9302	05-004-0037-90	TRANSISTOR SS PNP HFE 30 250MHz SPT DTA114EKAT146
JUMPERS		
JMP3-4,JMP6-8,JMP10,JMP14-15,JMP22	17-016-0077-00	Jumper wire Dia. 0.5mm L=52.0mm
JMP1, JMP5, JMP9, JMP11-13,JMP16-21, JMP23	17-016-0080-90	Jumper Wire Dia. 0.5mm For L Smaller than 14mm
COMPONENT VIDEO BOARD		
PCB ASSEMBLY	27-932-0765-92	T765 COMPONENT VIDEO ASSY
CAPACITORS		
C4006-4008	03-002-0129-00	CAP ELEC SS 10uF 16V 20% 85C RAD HEIGHT =7mm MAX
C4003-4005	03-002-0133-00	CAP ELEC GS 1000uF 10V 20% 85C RAD ST5
C4002 C4011-4019	03-002-0157-00	CAP ELEC SS 2.2uF 50V 20% 85C RAD HEIGHT=7mm MAX
JACKS		
M4001	15-002-0035-90	PHONE JACK 1 GREEN PCB MOUNT 3.5mm RIGHT
M4011,M4012	15-003-0033-90	RCA JACK 6 R-BL-G/R-BL-G PCB MOUNT GOLD
SMD ICS		
U4002-4003	01-012-0067-00	IC LOGIC ANALOG MULTIPLEXER/DE MULTIPLEXER SMD SOIC-16 74HC4052D
U4001	01-026-0001-90	IC VIDEO 3-CHANNEL 75 OHM DRIVER SSOP BA7660FS
RES SMDISTORS		
R4021 R4023 R4024	02-007-0288-00	RES SMD 0 OHM 5% 1/16W 0603 TAPE
R4004-4006	02-007-0352-00	RES SMD 470K OHM 5% 1/16W 0603 TYPE
R4001-4003 R4011-4019	02-007-0357-00	RES SMD 75 OHM 5% 1/16W 0603 TYPE
SMD CAPACITORS		
C4001 C4009-4010	03-009-0075-00	CAP CER SMD 0.1uF 50V 20% Y5V 0603 TAPE
C4020-4022	03-009-0114-00	CAP CER SMD 220pF 50V 10% X7R 0603 TAPE
JUMPERS		
JMP5-6, JMP12,JMP16-18, JMP28-29, JMP31,JMP35-36	17-016-0077-00	Jumper wire Dia. 0.5mm L=52.0mm

JMP1-4, JMP7-11, JMP13-15, JMP19-27, JMP30, JMP32-34, JMP37-38	17-016-0080-90	Jumper Wire Dia. 0.5mm For L Smaller than 14mm
HMDI BOARD PCB ASSEMBLY	50-933-0765-92	T765 HDMI ASSY (FROM SN T79T765T02406)
REGULATORS U4512,U4521	01-004-0048-00	IC VOLT REG 5V 1A TO-220 NJM7805FA
DIDOES D4508	04-001-0003-00	Diode 1N4007 DO-41 1A/1000V
INDUCTORS L4502-4503	07-002-0135-90	IND CHOKE 5.6uH +/-10% AXIAL EC24- 5R6K
CRYSTAL X4501	14-002-0025-90	CRYSTAL 14.31818MHz 30ppm 16pF HC-49S
SMD ICS U4504	01-004-0056-90	IC VOLT REG. LOW DROPOUT 3.3V 1A SOT-223 LM1117S-3.3
U4505	01-004-0057-90	IC VOLT REG. LM1117S-1.8 LOW DROPOUT 1.8V 1A SOT-223
U4520	01-010-0031-90	IC MCU 8 BITS 2K ROM 128 BYTES RAM SOIC 20 PINS ATtiny261-20SU
U4518	01-012-0068-90	IC LOGIC OCTAL BUS TRANSCEIVER WITH 3-STATE OUTPUTS 20PIN TSSOP SN74LVC245APWER
D4304 D4504-4506	01-012-0076-90	IC CM1213 8-Channel Low Capacitance ESD Protection Arrays CM1213-08MR
U4513	01-012-0077-90	IC PCA9517 LEVEL TRANSLATING I2C- BUS REPEATER PCA9517D SMD SO8
U4517	01-012-0082-90	IC LOGIC OCTAL BUFFERS/DRIVERS WITH 3-STATE OUTPUTS 20PIN TSSOP SN74AHCT244PWR (TI)
U4515	01-012-0087-90	SMD IC LOGIC CD74HC4053M SOIC16 TRIPLE 2CH ANALOG MUX/DEMUX
U4501 U4511 U4522	01-026-0001-90	IC VIDEO 3-CHANNEL 75 OHM DRIVER SSOP BA7660FS
U4514	01-026-0007-90	IC MC141585DW LCD MONITOR OSD II - 16 SMD 16 PINS SOIC
U4519	01-028-0002-90	IC TMDS341PFC 3-TO-1 DVI/HDMI SWITCH SMD 80 PINS PQFP
U4507	01-029-0001-90	IC NTSC/PAL/SECAM 4X10BIT VIDEO DECODER W/MACR. YCBCR/RGB INPUTS 80PIN PQFP TVP5146PFP
U4508	01-029-0002-90	IC SAA7128AH DIGITAL VIDEO ENCODER QFP44
RES SMDISTORS R4640	02-007-0055-00	RES SMD 750 OHM 5% 0805
R4613	02-007-0146-00	RES SMD 47 OHM 5% 0603
R4535	02-007-0271-00	RES SMD 1M OHM 5% 1/16W 0603
R4505-4507 R4529-4531 R4563 R4594-4599 R4601 R4606 R4626 R4638	02-007-0288-00	RES SMD 0 OHM 5% 1/16W 0603

R4621	02-007-0289-00	RES SMD 68 OHM +/-1% 1/16W 0603
R4551-4554 R4627-4628	02-007-0292-00	RES SMD 2.2K OHM 1% 1/16W 0603
R4635	02-007-0293-00	RES SMD 33 OHM 5% 1/16W 0603
R4564 R4634	02-007-0306-00	RES SMD 1K OHM 1% 1/16W 0603
R4592	02-007-0319-00	RES SMD 300 OHM 5% 1/16W 0603
R4629	02-007-0326-00	RES SMD 4.64K OHM 1% 1/10W 0805
R4630-4632	02-007-0340-00	RES SMD 1 OHM 5% 1/10W 0805
R4624	02-007-0341-00	RES SMD 120 OHM 5% 1/16W 0603
R4555-4557 R4581-4583 R4642-4644	02-007-0352-00	RES SMD 470K OHM 5% 1/16W 0603
R4520-4528 R4547-4549 R4558-4560	02-007-0357-00	RES SMD 75 OHM 5% 1/16W 0603
R4585-4587 R4591 R4593 R4614-4615		
R4623 R4645-4650		
R4501 R4502	02-007-0367-00	RES SMD 0 OHM 5% 1/10W 0805
R4589	02-007-0369-00	RES SMD 390 OHM 5% 1/16W 0603
R4636 R4637	02-007-0372-00	RES SMD 220 OHM 5% 1/16W 0603
R4588 R4590	02-007-0393-00	RES SMD 270 OHM 5% 1/16W 0603
R4641	02-007-0430-00	RES SMD 1.5K OHM 1% 1/10W 0805
R4622	02-007-0434-00	RES SMD 56 OHM 5% 1/16W 0603
R4536 R4600 R4633	02-007-0435-00	RES. SMD 10K OHM +/-5% 1/16W 0603
R4509-4510	02-007-0436-00	RES. SMD 12 OHM +/-5% 1/16W 0603
SMD CAPACITORS		
C4541 C4548-4551 C4621 C4623 C4644	03-009-0049-00	CAP ELEC SMD 100uF/16V ±20%
C4682-4684		
C4501-4531 C4533-4535C4537	03-009-0075-00	CAP CER SMD 0.1uF 50V 20% Y5V 0603
C4539-4540 C4634 C4645-4656		
C4669-4673 C4674 C4676 C4680		
C4657-4668	03-009-0113-00	CAP CER SMD 10nF 50V 10% X7R 0603
C4603-4614	03-009-0117-00	CAP CER SMD 330pF 50V 10% X7R 0603
C4572-4573	03-009-0130-00	CAP CER SMD 22pF 50V 5% COG 0603
C4636 C4554 C4556 C4681	03-009-0136-00	CAP ELEC SMD 10uF 16V +/-20% 4 x5.4
C4545-4547	03-009-0138-00	CAP ELEC SMD 1000uF 10V +/-20% 10x10.5
C4562	03-009-0141-00	CAP ELEC SMD 2.2uF 50V +/-20% 4x5.4
C4685	03-009-0150-00	CAP CER SMD 820pF 50V 10% X7R 0805
C4558-C4560 C4627-4629 C4675 C4677-4679	03-009-0153-00	CAP ELEC SMD 1uF/50V ±20% B CASE 4 X 5.4
C4577-4578 C4581-4585 C4600-4602	03-009-0157-00	CAP CER SMD 560pF 50v 10% X7R 0603
C4615-4620	03-009-0164-00	CAP CER SMD 680pF 50V 10% X7R 0603
SMD DIODES		
D4501-4503 D4507	04-006-0019-00	SMD Diode RECT 1A/400V DO-214AC GS1G M4 GS1G
SMD TRANSISTORS		
Q4502	05-004-0017-00	SMD Transistor 2SC4695 NPN SOT-23
Q4507	05-004-0034-90	TRANSISTOR 2SA1037AKS PNP HFE 270-560 140MHz SMD SMT3
Q4501	05-004-0035-90	TRANSISTOR SS NPN HFE20 250MHz DTC123EKAT146
SMD INDUCTOR		
L4501 L4504 L4506 L4511-4525	07-007-0017-90	IND 2.7uF SMD 10% 0805 CI201209-2 R7KG
SMD OSCILLATOR		
X4503	14-004-0030-90	CRYSTAL OSCILLATOR 13.5000MHZ 3.3V 50ppm 30pF SMD

MCU BOARD**PCB ASSEMBLY*AH
PCB ASSEMBLY*C,CT****50-937-0765-90
50-946-0765-90****T765 AH MCU ASSY
T765 C/CT MCU ASSY****SMD ICS**

U2008	01-004-0056-90	IC VOLT REG. LOW DROPOUT 3.3V 1A SOT-223 LM1117S-3.3
U2006	01-008-0007-90	IC MICROPOWER UP WATCH DOG TIMER 2.93V SOT-25 AME8530AEEVEFX29Z
U2001	01-010-0025-90	IC M30280FCHP-U3 16-BIT MCU 128K ROM 12K RAM QFP 80P6Q-A
U2007	01-010-0030-90	IC MCU 8 BITS 8K ROM 512 BYTES RAM TQFP ATmega48-20
U2002	01-011-0034-90	IC LE030401 AT24C16-AN-2.7 ATMEL
U2009	01-012-0059-00	IC LOGIC QUAD 2-INPUT NAND GATE SOP 74HC00D
U2005	01-012-0073-90	IC 74HC132D LOGIC QUAD 2-INPUT NAND SCHMITT TRIGGER SMD 14 PINS

RES SMDISTORS

R2026	02-007-0042-00	RES SMD 1K OHM 0603 5%
L2001	02-007-0089-00	RES SMD 0 OHM 1/8W 0805 5%
R2011	02-007-0094-00	RES SMD 1K OHM 1/4W 1206 1%
R2013-2014 R2022 R2028 R2044	02-007-0139-00	RES SMD 4.7K OHM 0603 5%
R2004 R2009 R2002 R2019-2021 R2023 R2025 R2027 R2043	02-007-0157-00	RES SMD 10K OHM 0603 1%
R2001 R2007	02-007-0267-00	RES SMD 100K OHM 5% 1/16W 0603
R2003 R2010 R2012 R2015-2016*AH R2017-2018*C,CT R2024 R2041 R2042	02-007-0288-00	RES SMD 0 OHM 5% 1/16W 0603
R2031-R2038	02-007-0292-00	RES SMD 2.2K OHM 1% 1/16W 0603

SMD CAPACITORS

C2002-2003 C2006-2007 C2010 C2019 C2022 C2023 C2026 C2028 C2030 C2032 C2033	03-009-0075-00	CAP CER SMD 0.1uF 50V 20% Y5V 0603
C2017	03-009-0112-00	CAP CER SMD 1nF 50V 10% X7R 0603
C2009	03-009-0136-00	CAP ELEC SMD 10uF 16V +/-20% 4X5.4
C2008	03-009-0138-00	CAP ELEC SMD 1000uF 10V +/-20% 10X10.5
C2018	03-009-0139-00	CAP ELEC SMD 0.1uF 50V +/-20% 4X5.4
C2001	03-009-0140-00	CAP ELEC SMD 22uF 16V +/-20% 5X5.4
C2004-2005, C2021 C2024 C2025 C2027 C2029 C2031	03-009-0143-00	CAP ELEC SMD 47uF 50V +/-20% 6.3X7.7
C2020	03-009-0153-00	CAP ELEC SMD 1uF/50V ±20% B CASE 4 X 5.4

SMD DIODES

D2001	04-006-0021-90	SMD Diode LL4148 SOD80
-------	----------------	------------------------

SMD TRANSISTORS

Q2007	05-004-0020-00	SMD Transistor T3904 SOT-23
Q2008 Q2009 Q2010 Q2011 Q2012	05-004-0035-90	TRANSISTOR SS NPN HFE30 250MHz SPT DTC114EKAT146
Q2001-Q2004	05-004-0037-90	TRANSISTOR SS PNP HFE 30 250MHz SPT DTA114EKAT146

SMD OSCILLATOR

X2001A	14-004-0019-90	CRYSTAL OSCILLATOR 20.000MHz 5V 50ppm 15pF SMD
--------	----------------	---

CONNECTOR #1 BOARD
PCB ASSEMBLY

50-938-0775-90

T765/T775/T785 CONNECTION # 1
ASSY

CONNECTOR #2 BOARD
PCB ASSEMBLY

50-942-0765-90

T765 CONNECTION # 2 ASSY

CONNECTOR #3 BOARD
PCB ASSEMBLY

50-943-0765-90

T765/T775/T785 CONNECTION # 3
ASSY

CONNECTOR #4 BOARD
PCB ASSEMBLY

50-944-0765-90

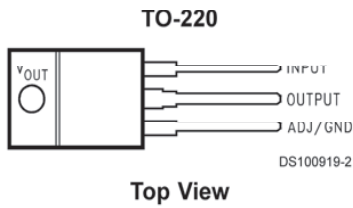
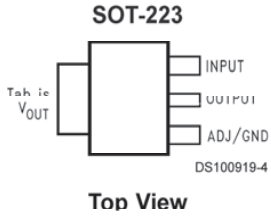
T765 CONNECTION # 4 ASSY

IC BLOCK DIAGRAM

MAINBOARD

LM1117

(U1020 in DSP, U2008 in MCU, U4505 in HDMI, U1034 in DSP)



MCU

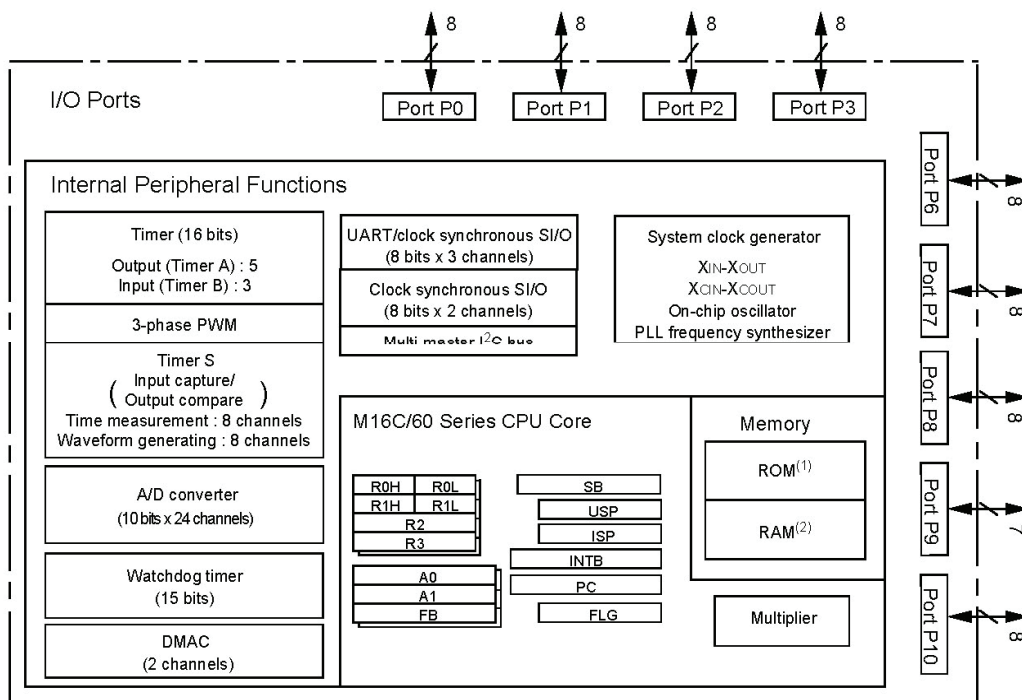
AME8530

U2006

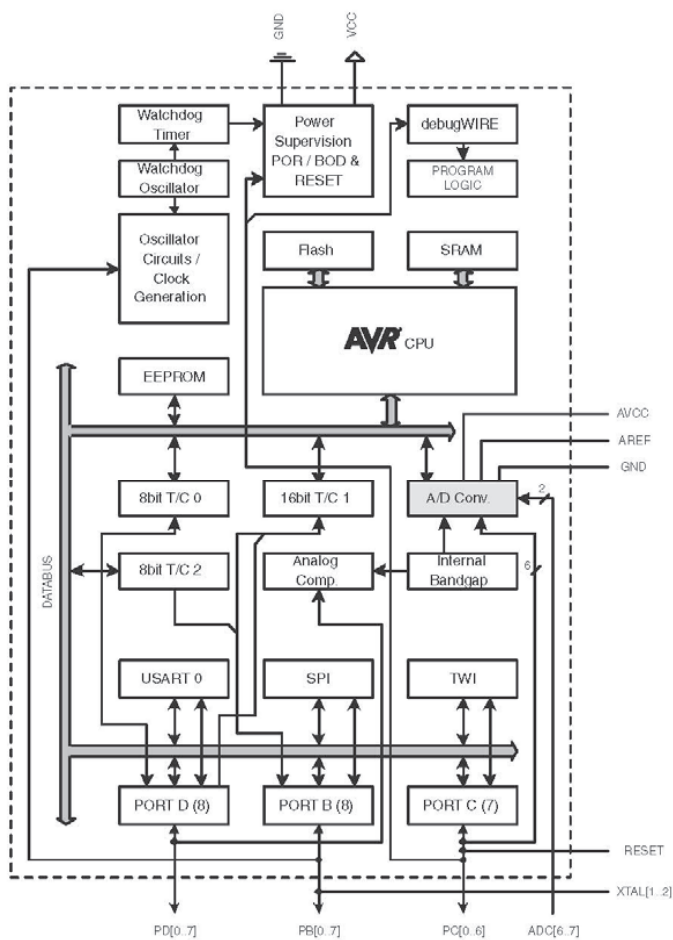


M30280

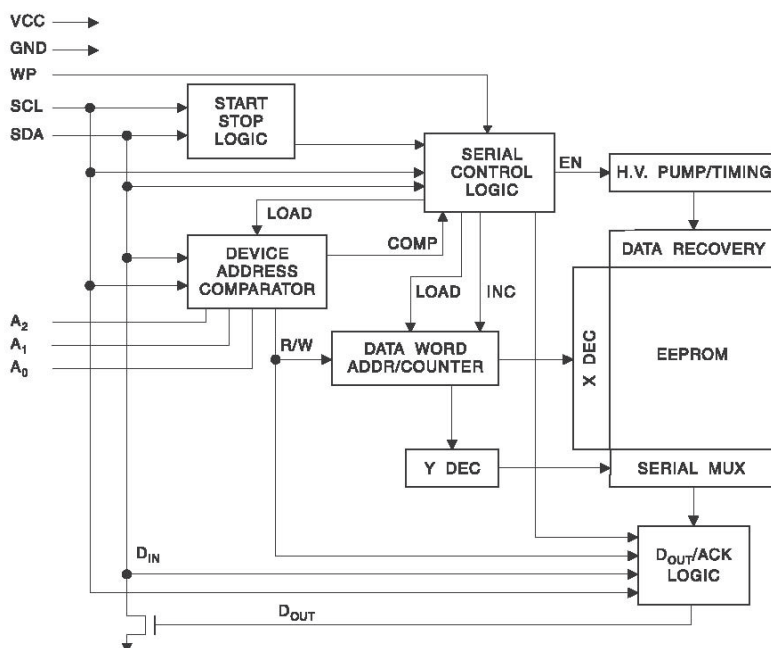
(U2001)



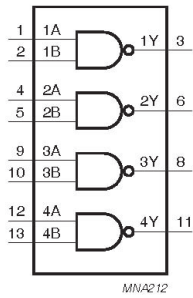
ATMEGA48-20
(U2007)



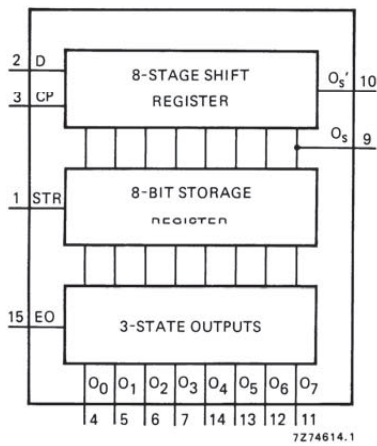
AT24C16
(U2002)



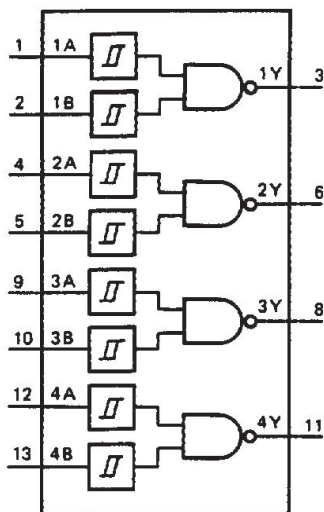
74HC00D
(U2009)



HEF4094BT
(U2201, U4107 in Composite, U1007, U1008 in DSP, U6901 in Pre-Out, U5501 in AMP-L, U6003 in Volume)



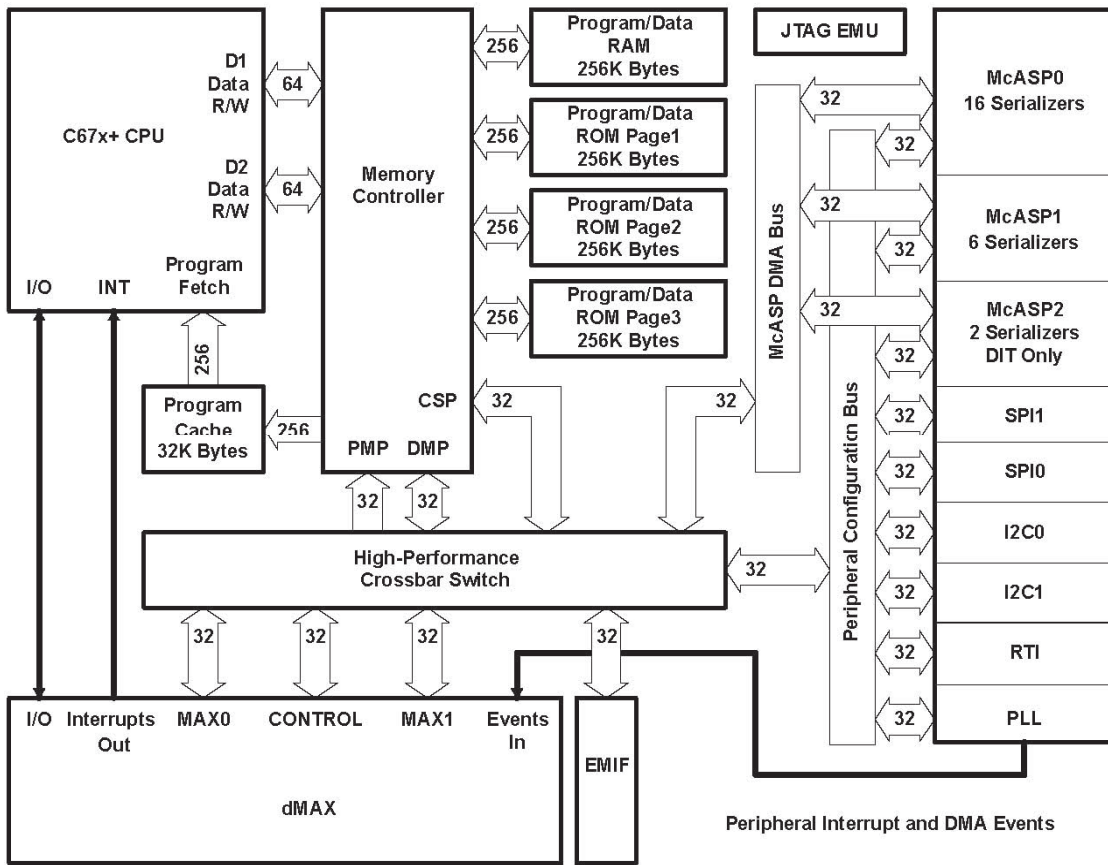
74HC132
(U2005)



DSP

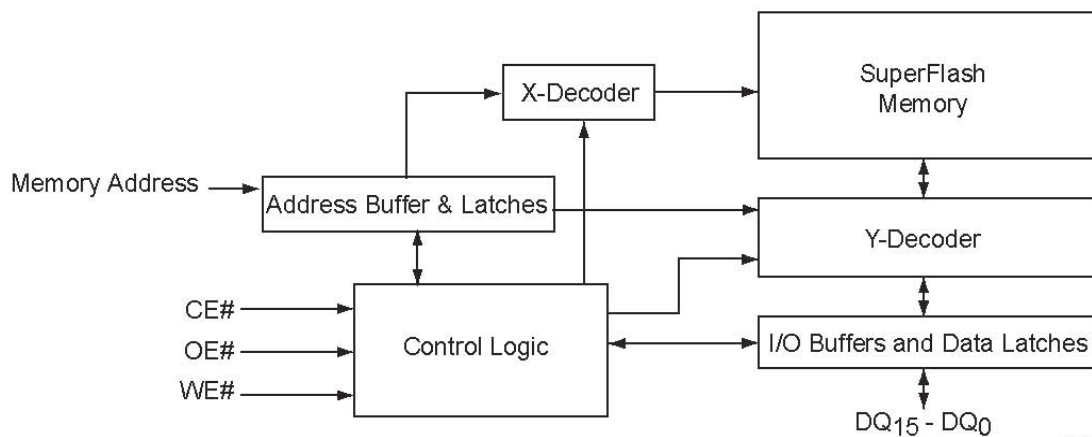
D707E0001BRFP250

(U1001)



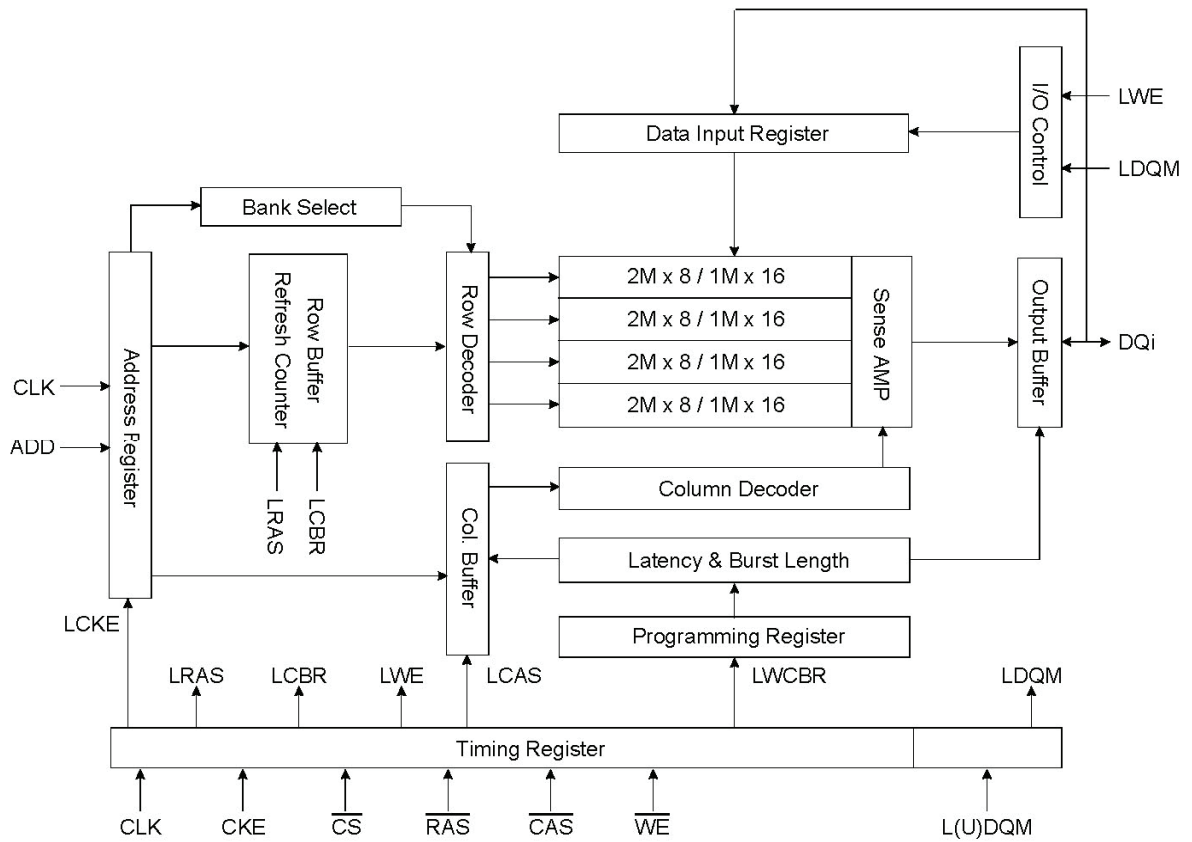
SST39VF800

(U1004)

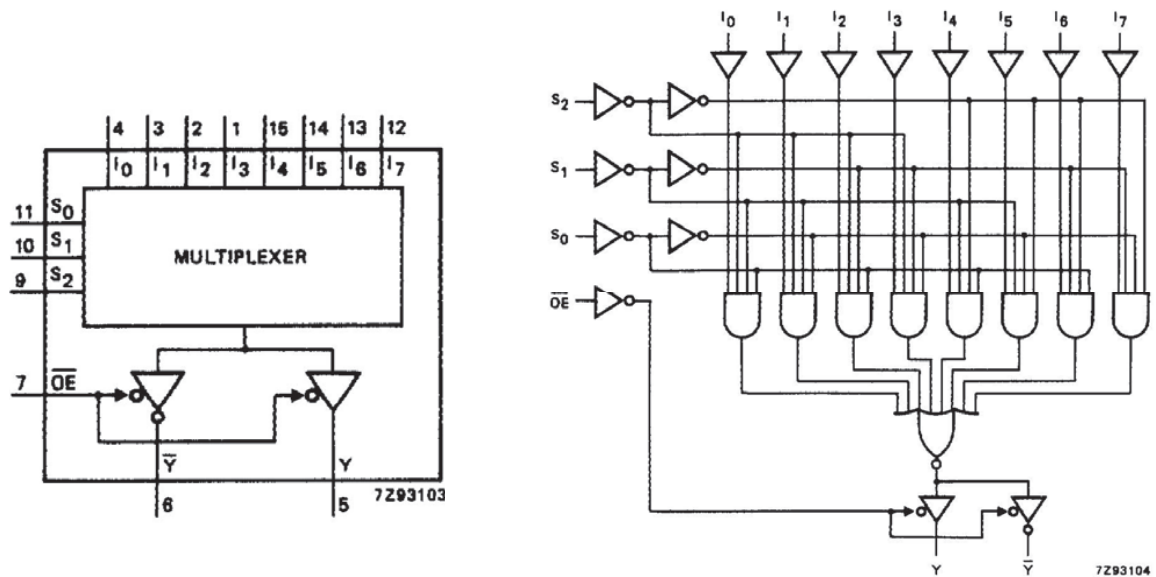


360 ILL B1.2

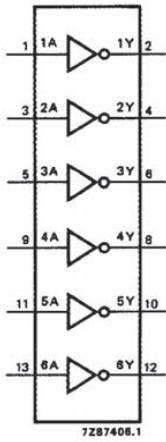
K4S641632K
(U1003)



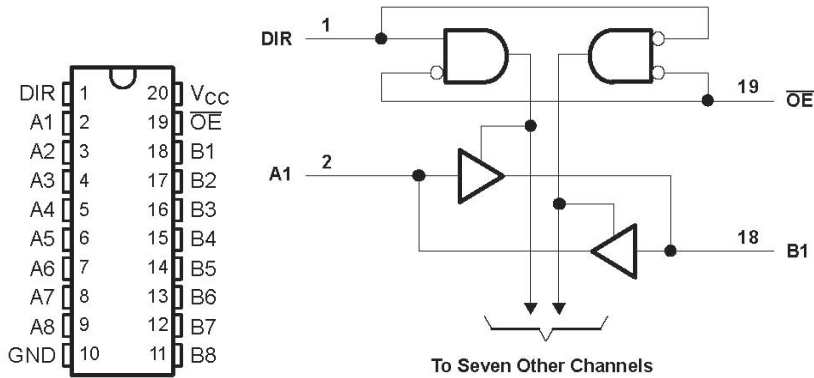
74HC251D
(U1005)



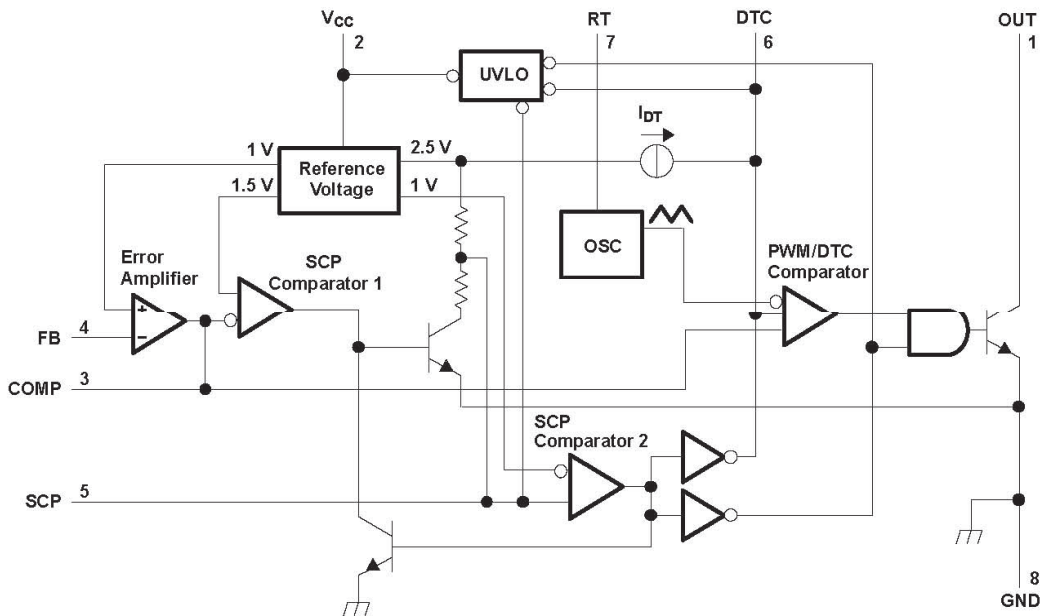
74HCU04D
(U1018, U1019)



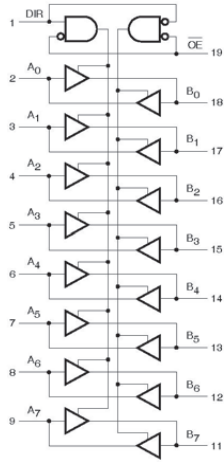
SN74LVC245
(U1010, U1022, U4518 in HDMI)



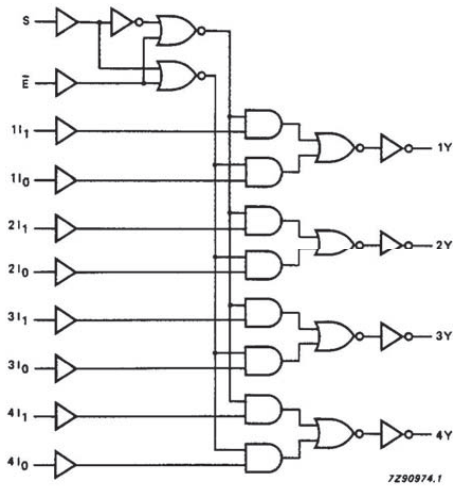
TL5001CD
(U1011)



SN74HCT245
(U1009)

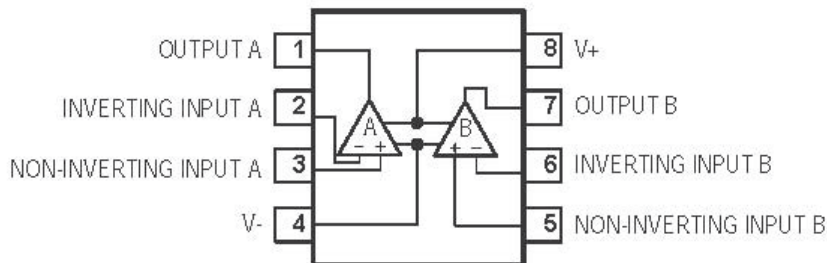


74HC157D
(U1033)

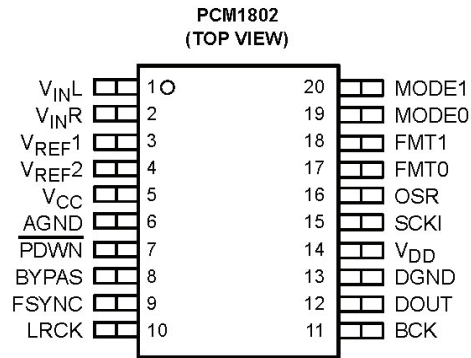


NJM5532M

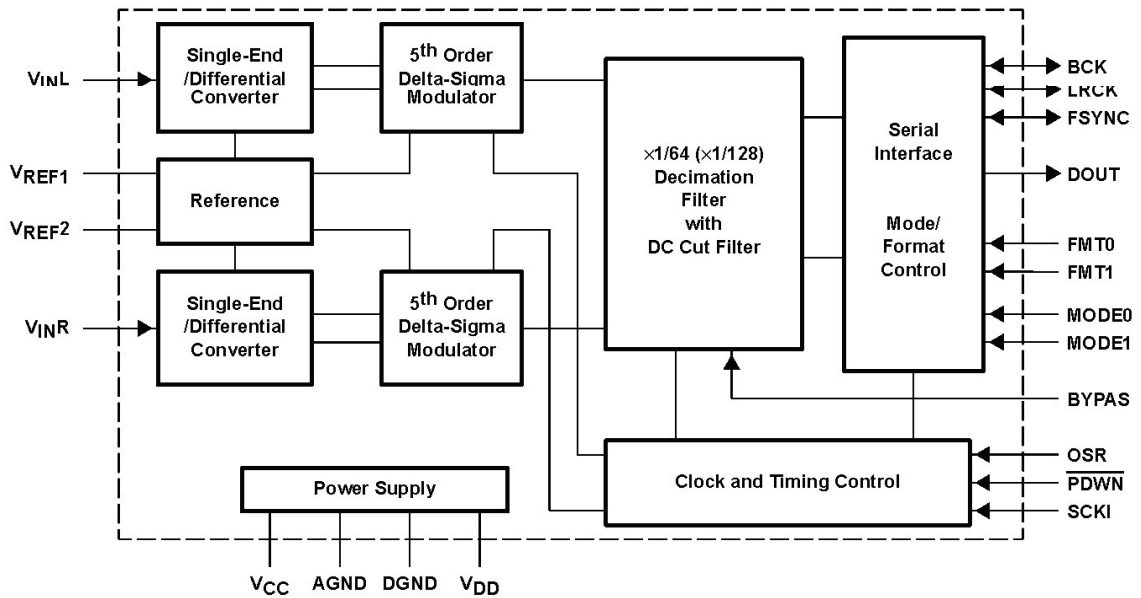
(U1023, U1027-1031, U9301 in F-input, U8201 in ISC, U6501, U6601, U6701, U6801 in Pre-Out, U6004-6007, U6018 in Volume)



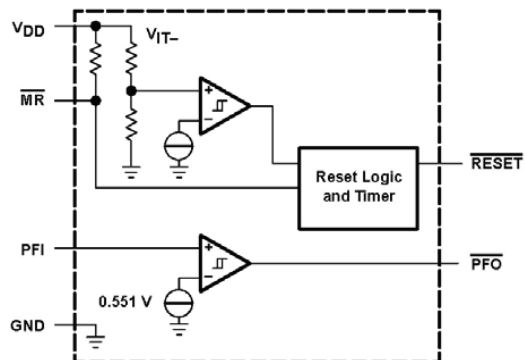
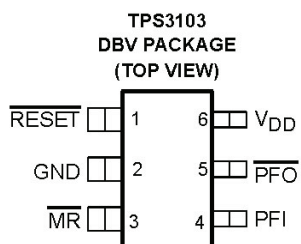
PCM1802
(U1017)



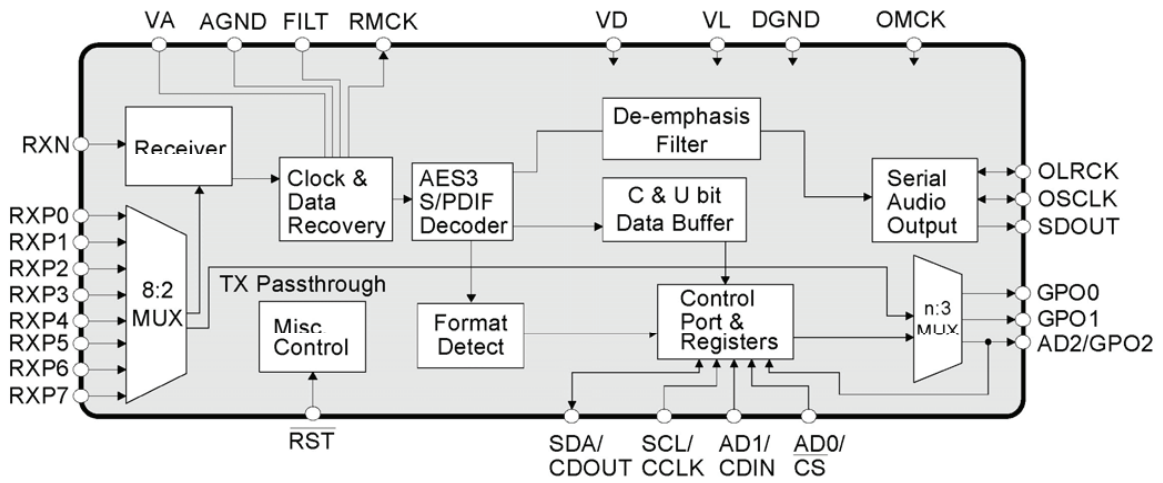
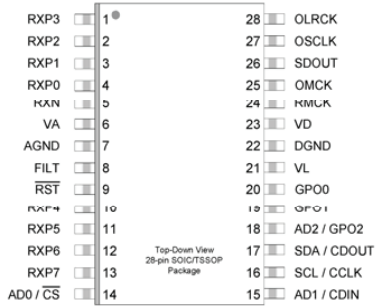
block diagram



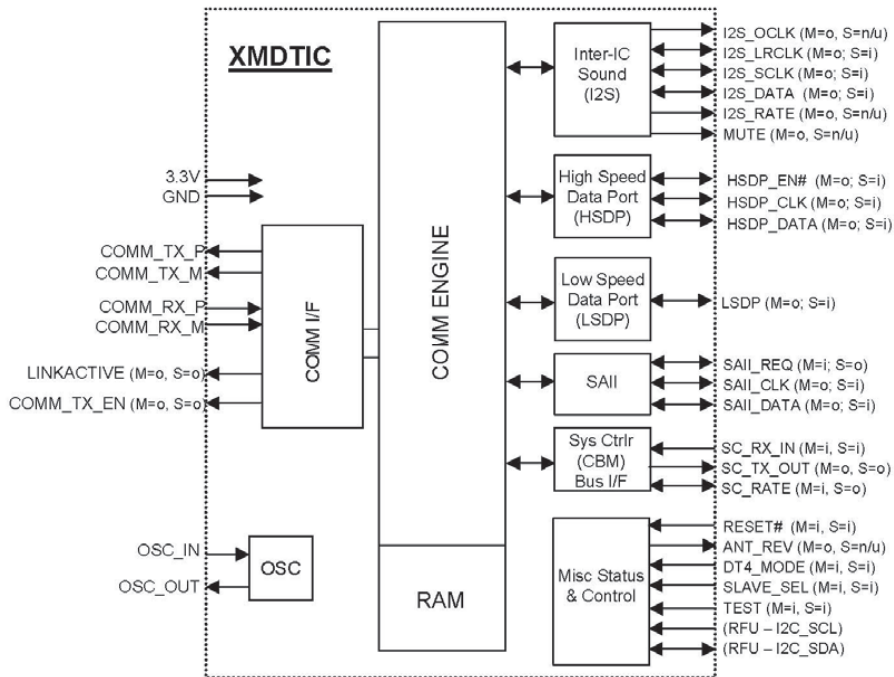
TPS3103
(U1021)



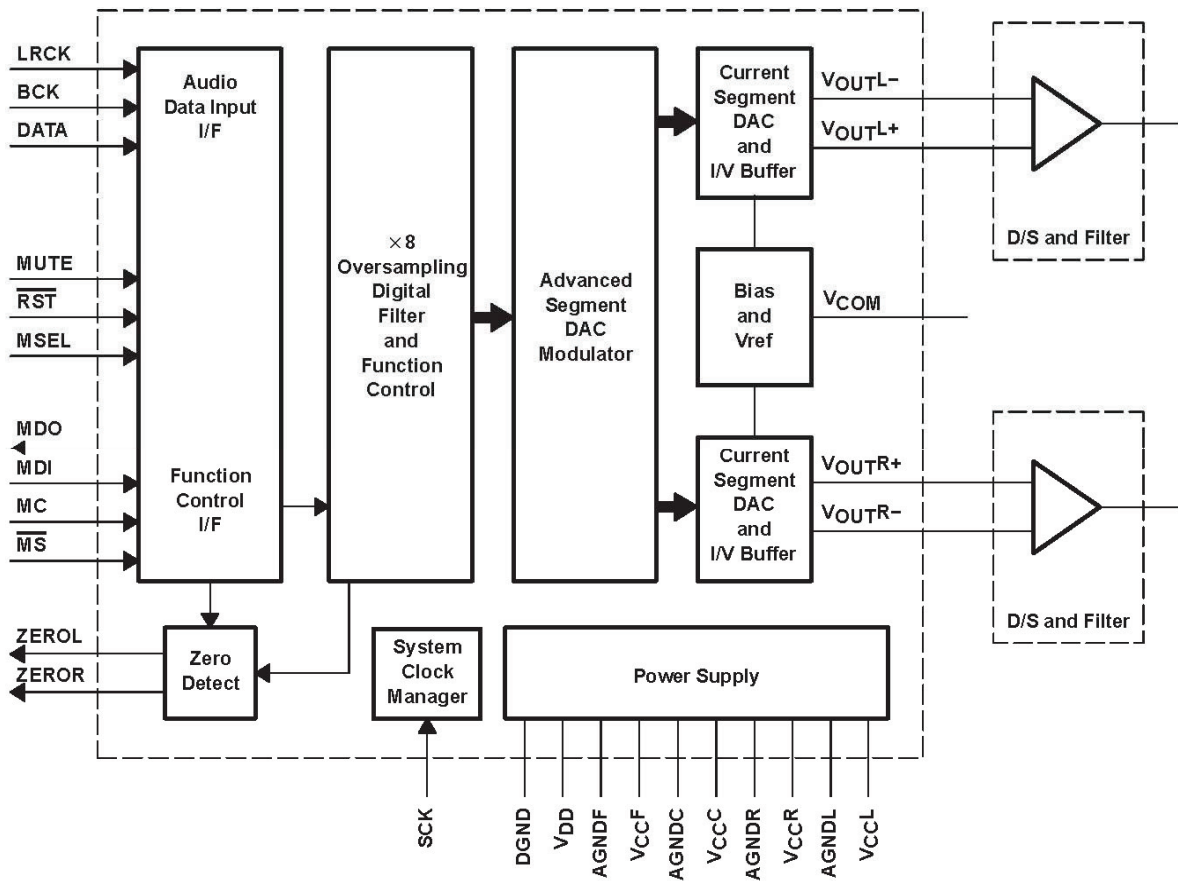
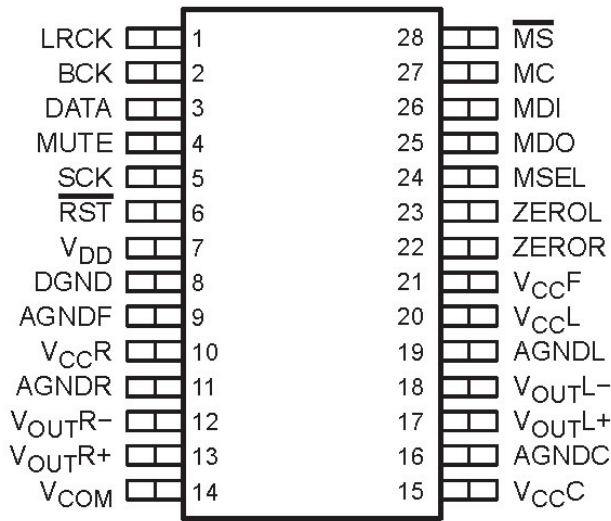
CS8416
(U1002)



BU9450
(U1032)



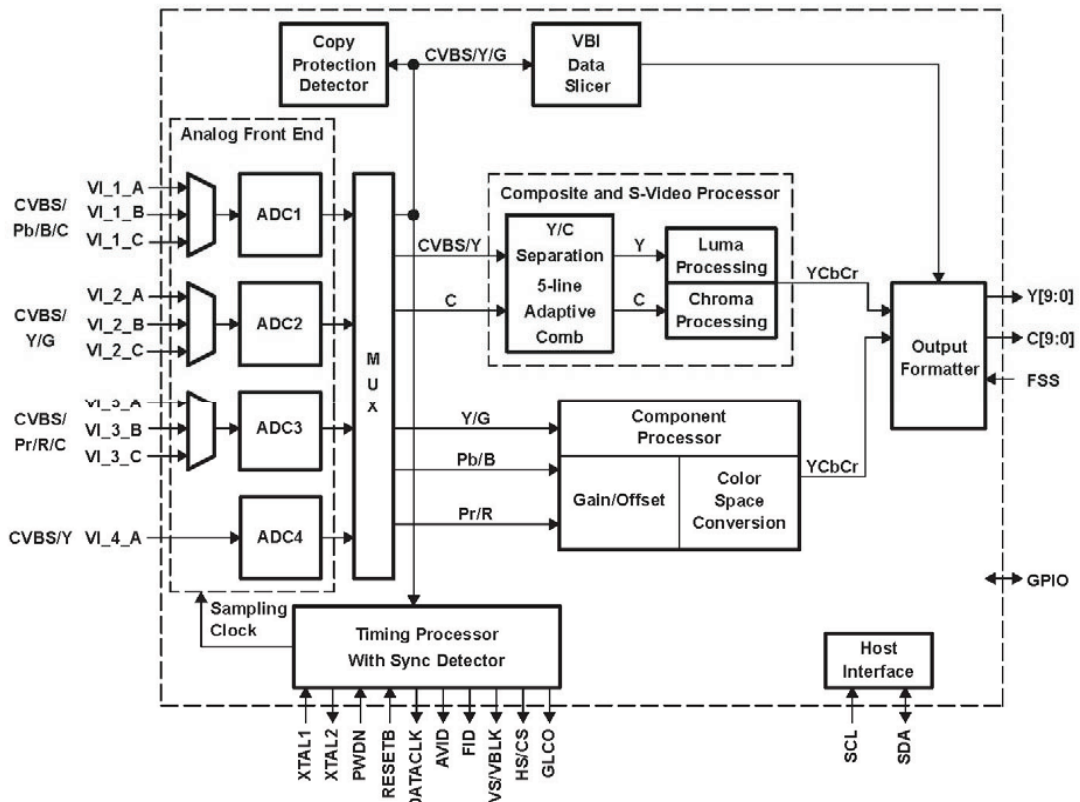
PCM1791A
(U1012-1016)



HDMI

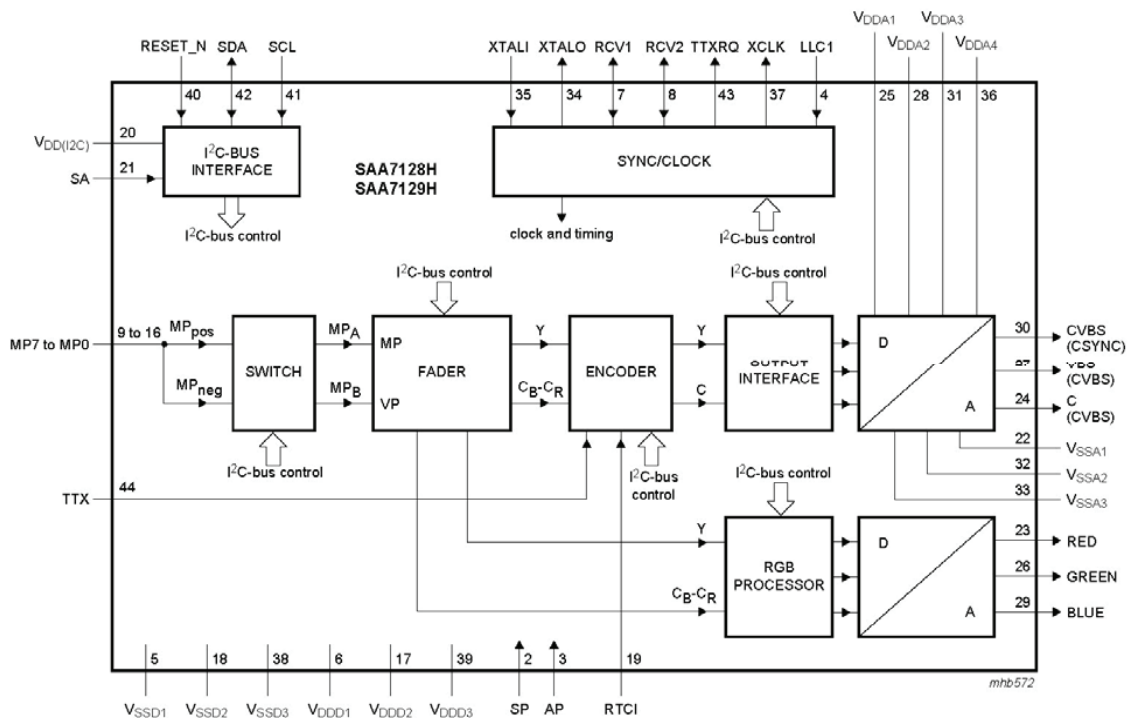
TVP5146PFP

(U4507)

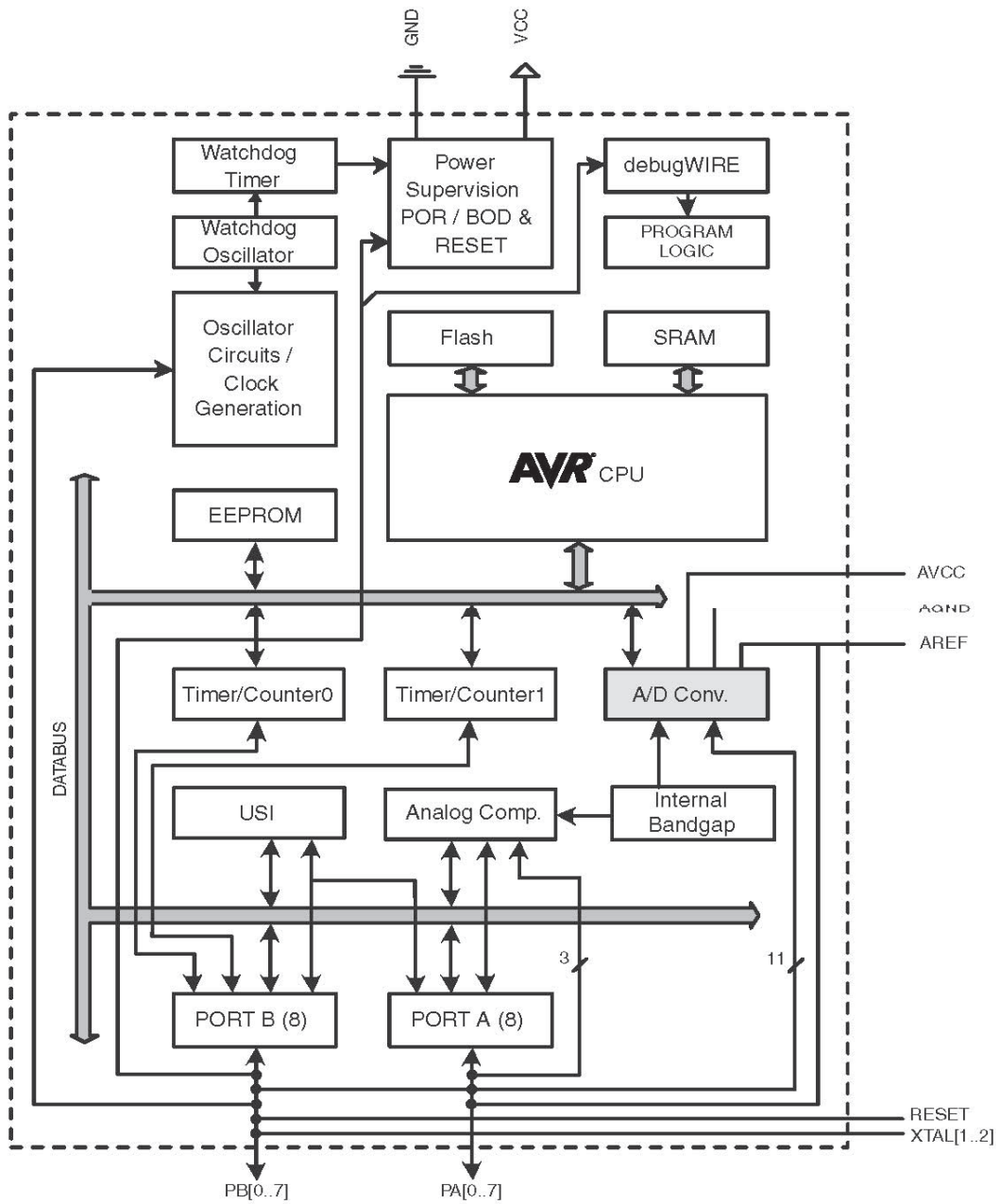


SAA7128

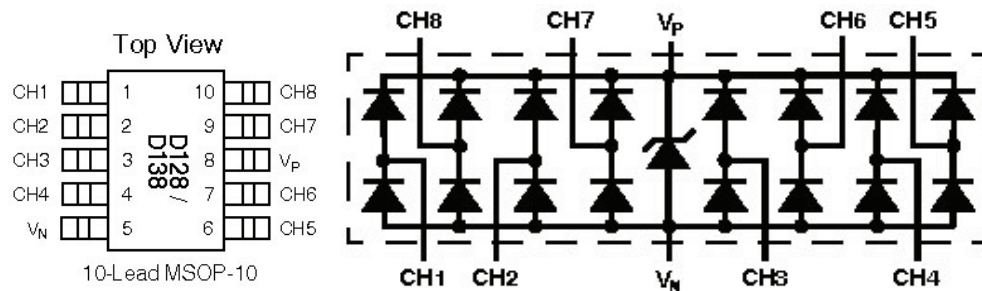
(U4508)



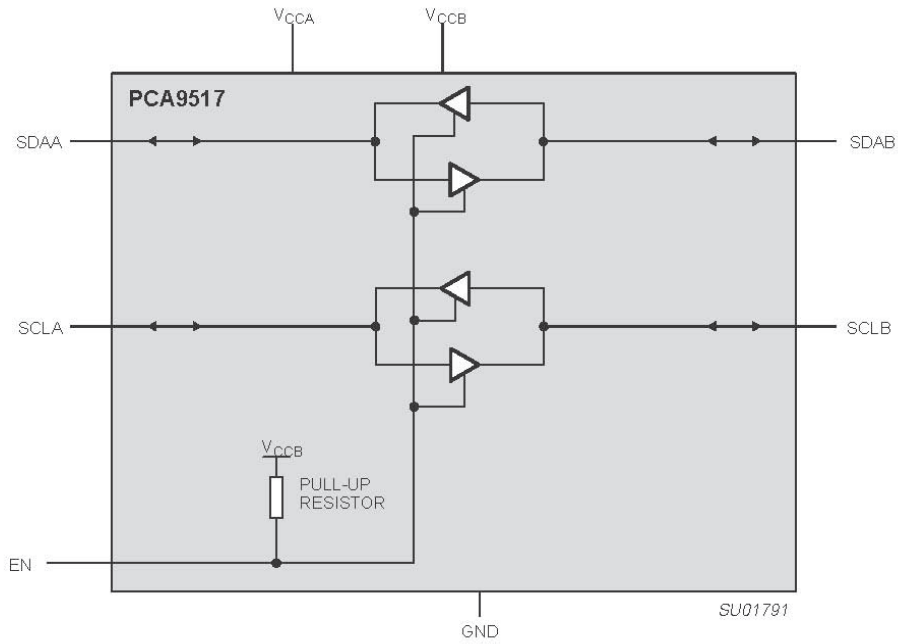
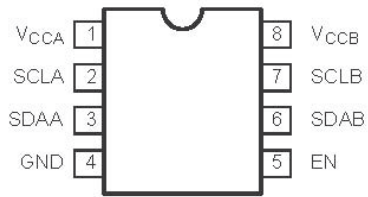
ATtiny261
(U4520)



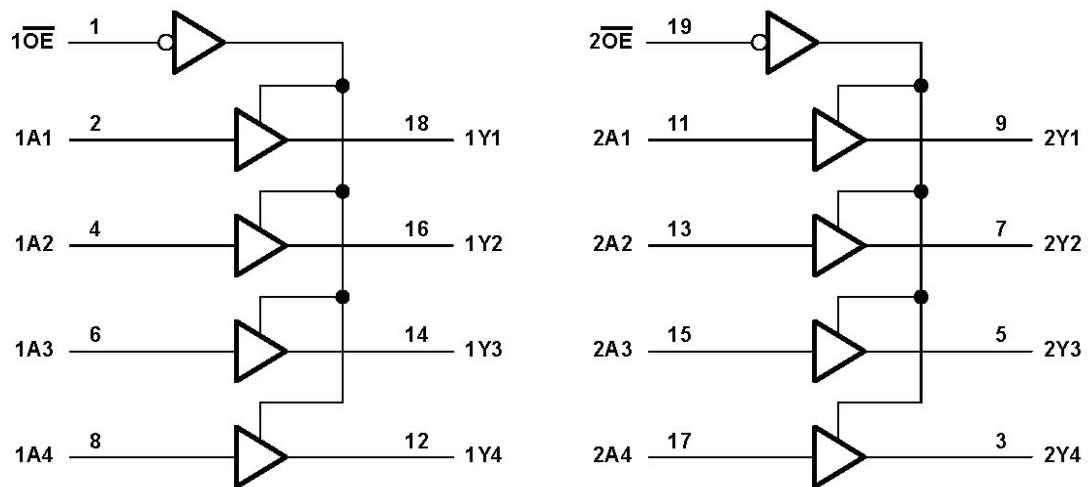
CM1213-8
(D4304, D4504-4506 in HDMI, D2308 in Trigger)



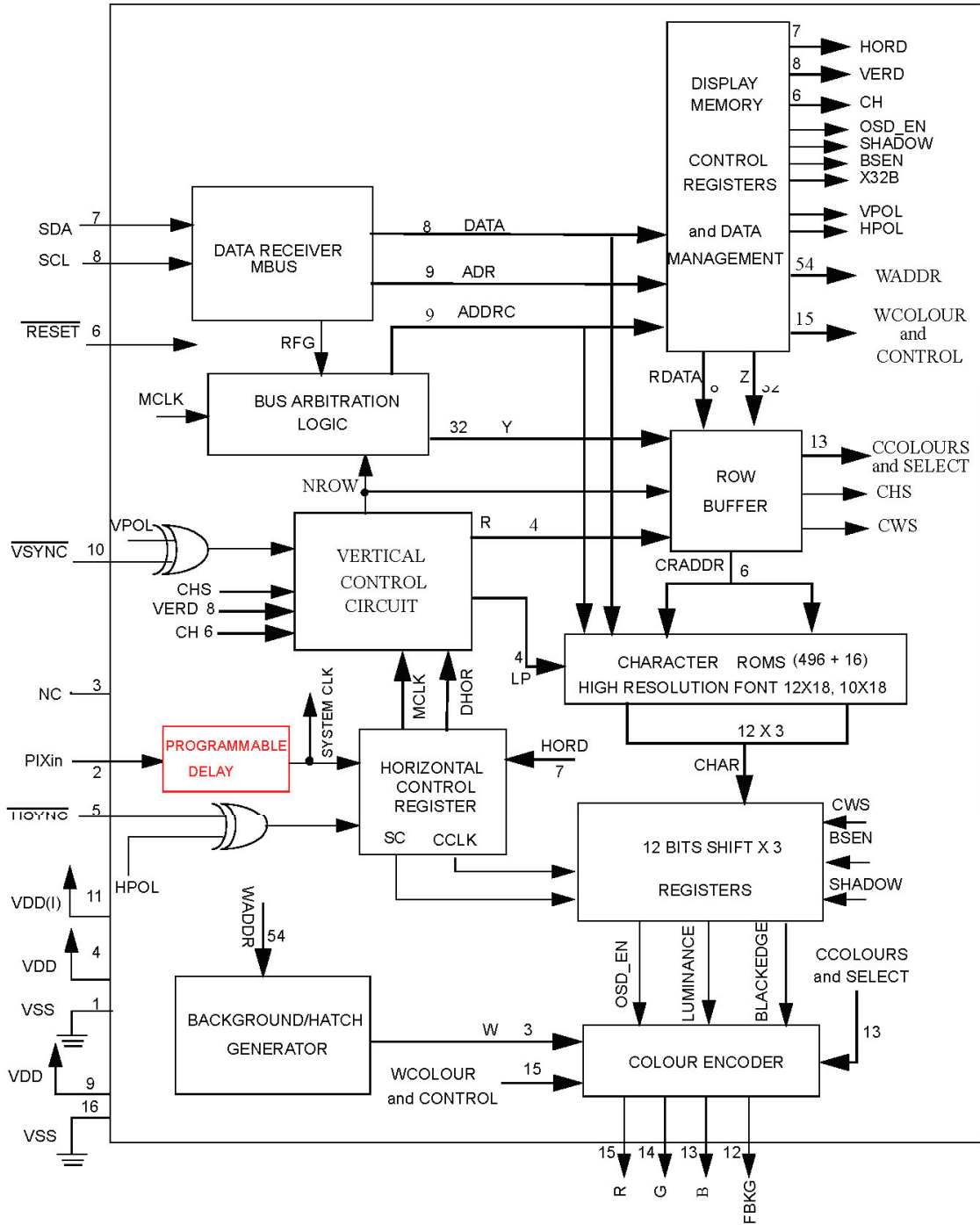
PCA9517
(U4513)



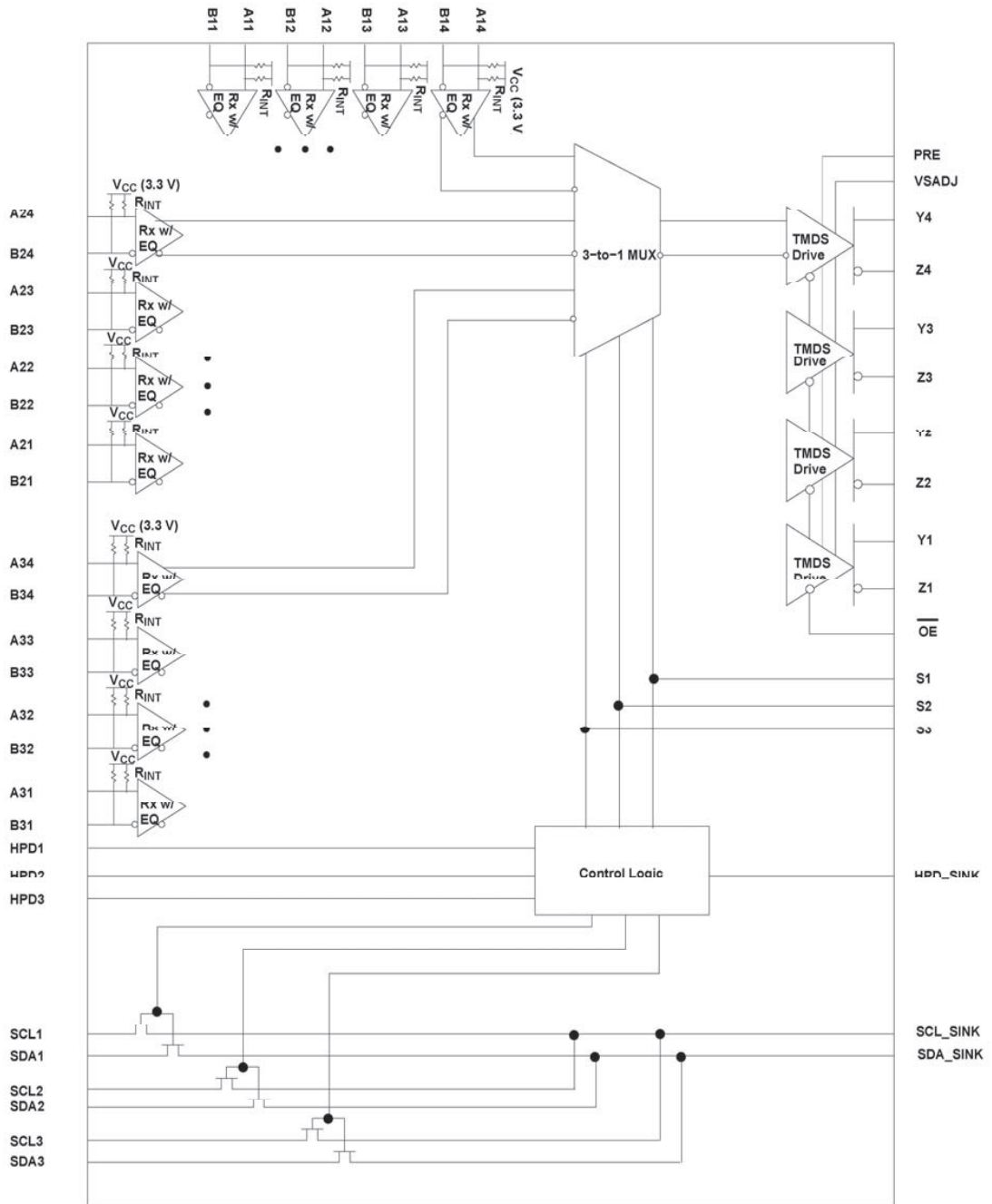
SN74AHCT244
(U4517)



MC141585DW
(U4514)



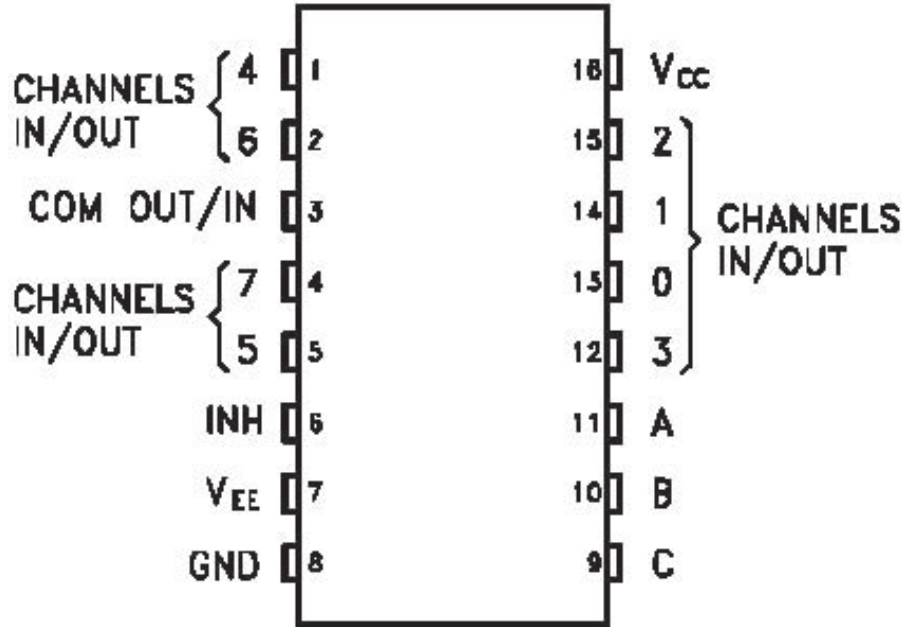
TMDS341
(U4519)



Composite / S-Video

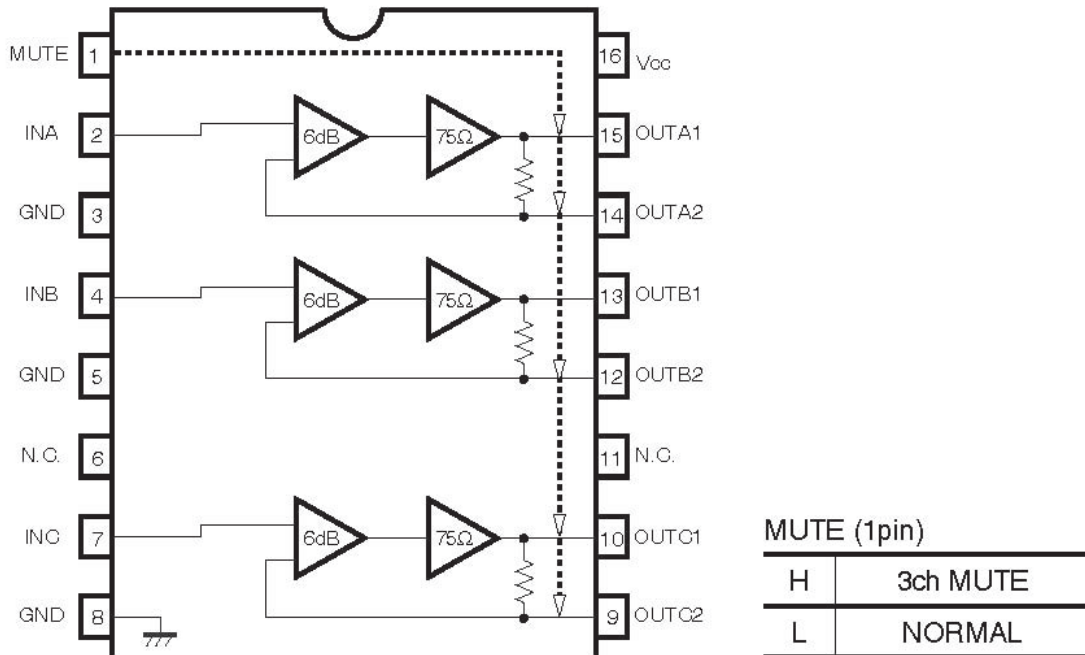
74HC4051D

(U4103-4106)

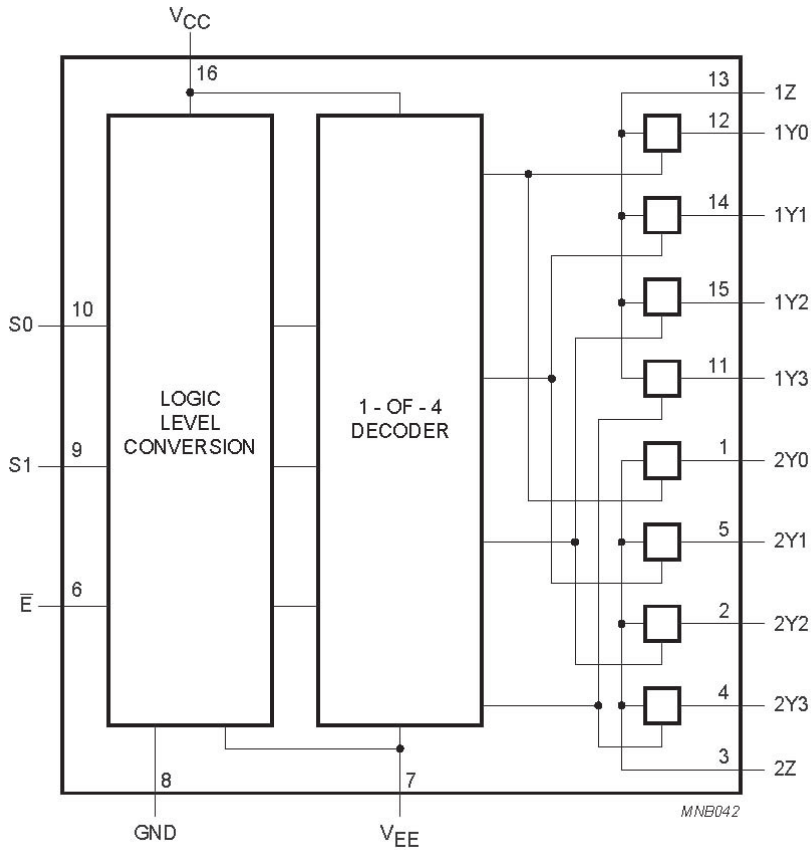


BA7660FS

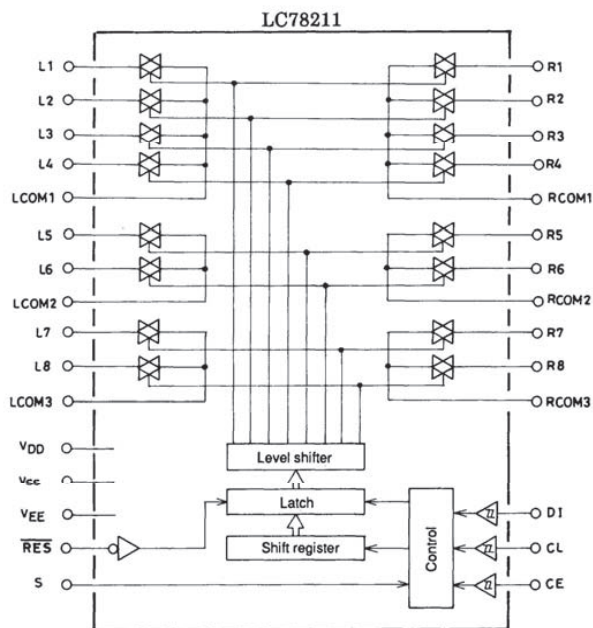
(U4101-4102, U4001 in Component, U4501, U4511, U4522 in HDMI)



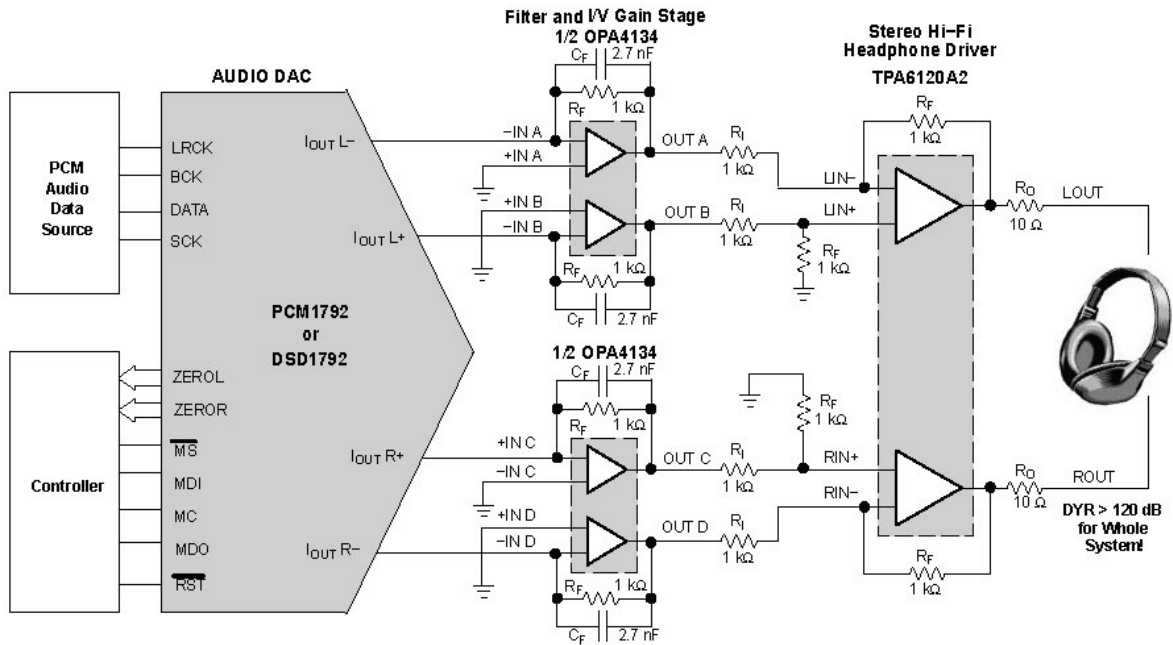
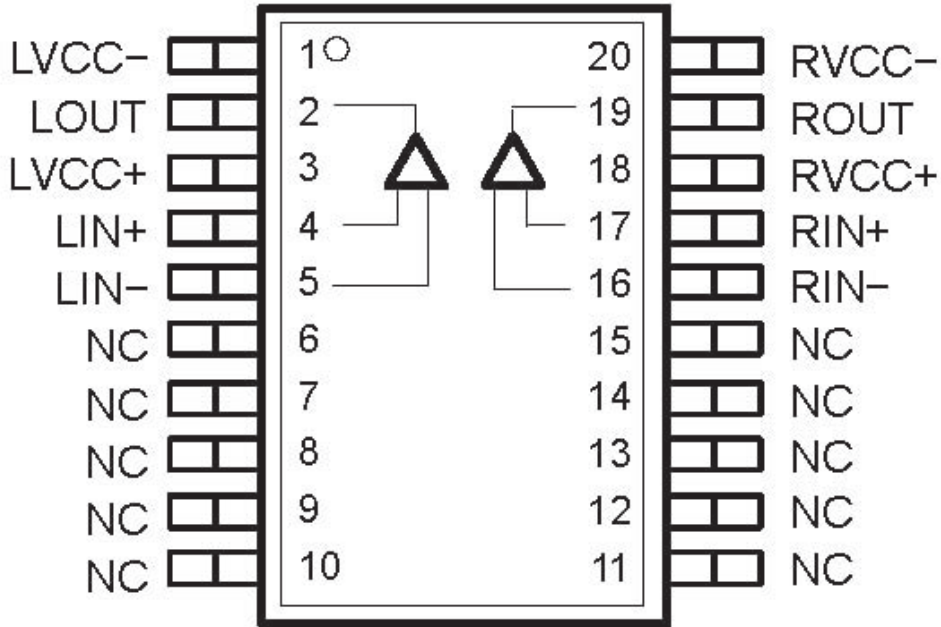
Component
74HC4052D
 (U4002-4003)



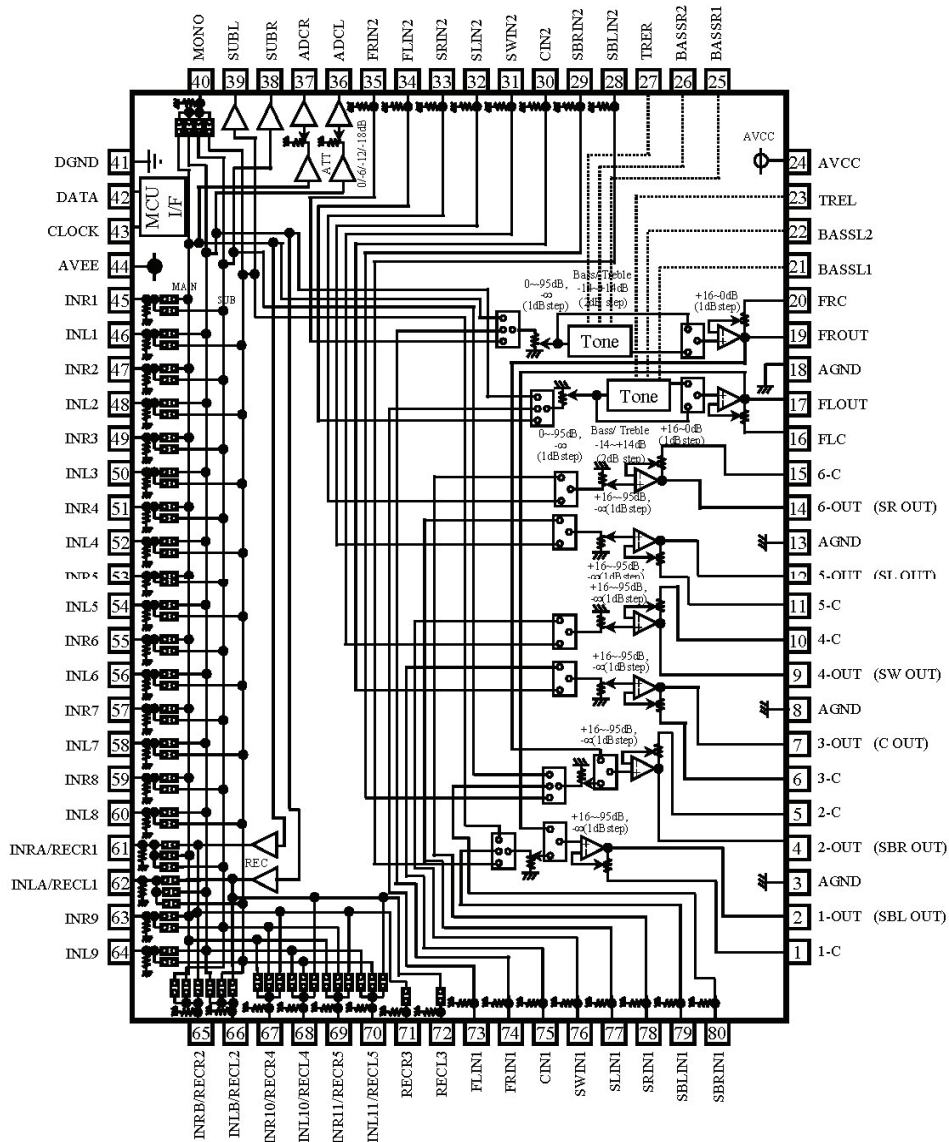
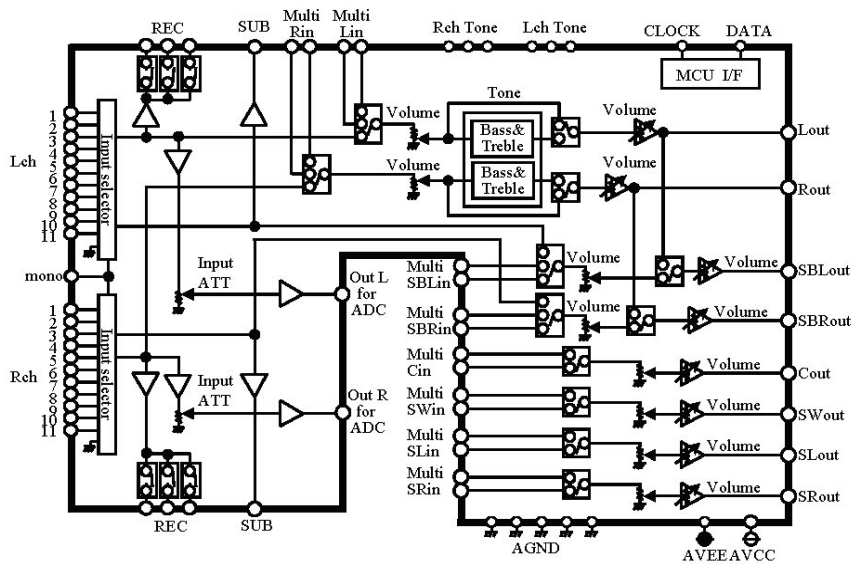
LC78211
 (U6009)



Volume
 TPA6120A2DWP
 (U6008)

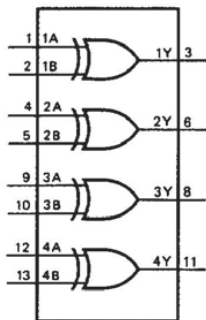


R2S15205FP
(U6001-6002)

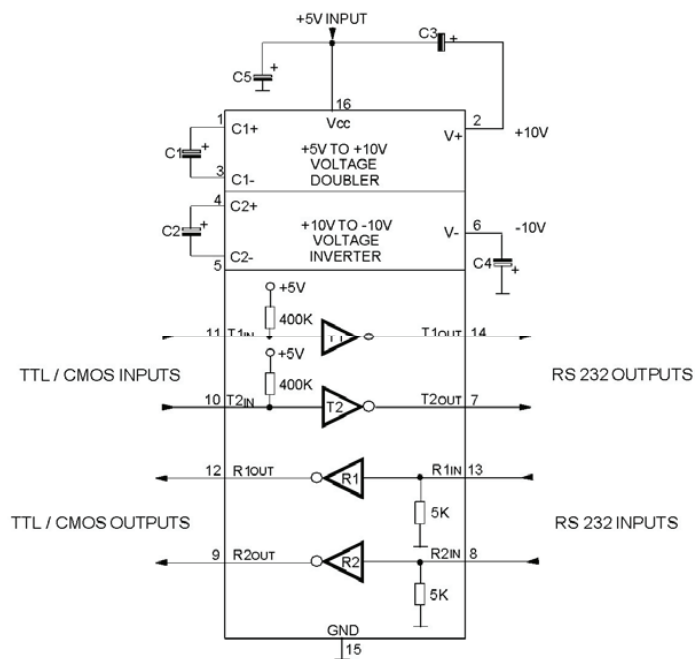


Trigger

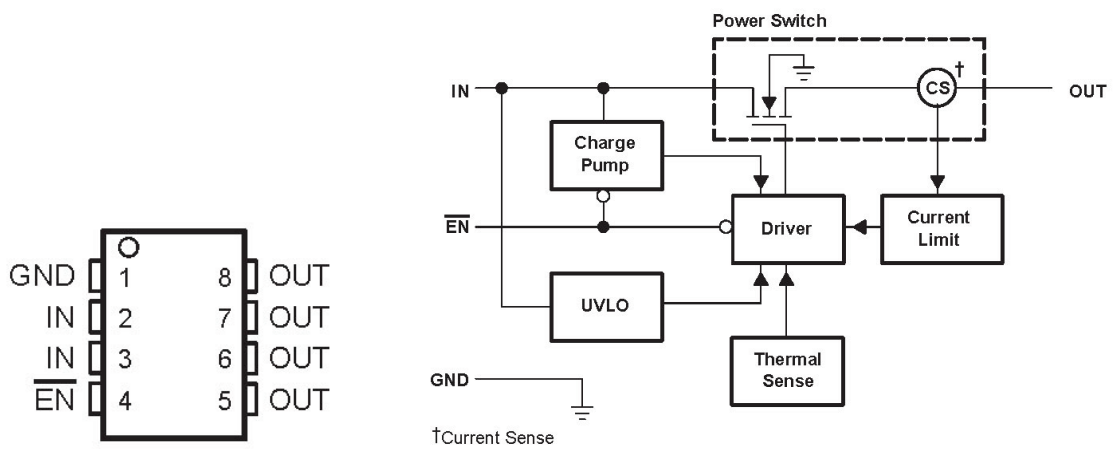
74HC86D (U2303)



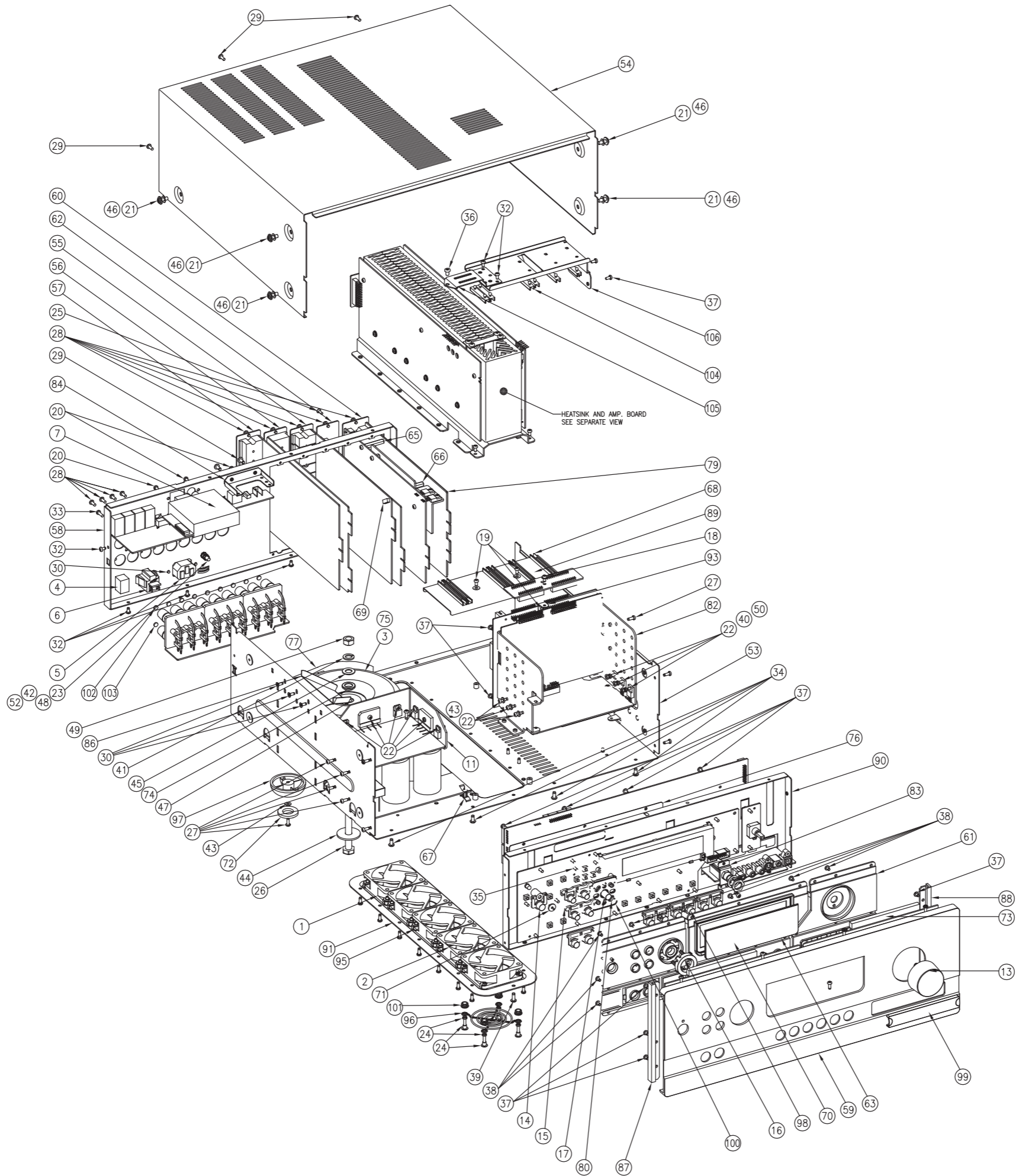
ST232BDR (U2301)



TPS2011A (U2302)



EXPLODED VIEW - A



EXPLODED VIEW PARTS LIST

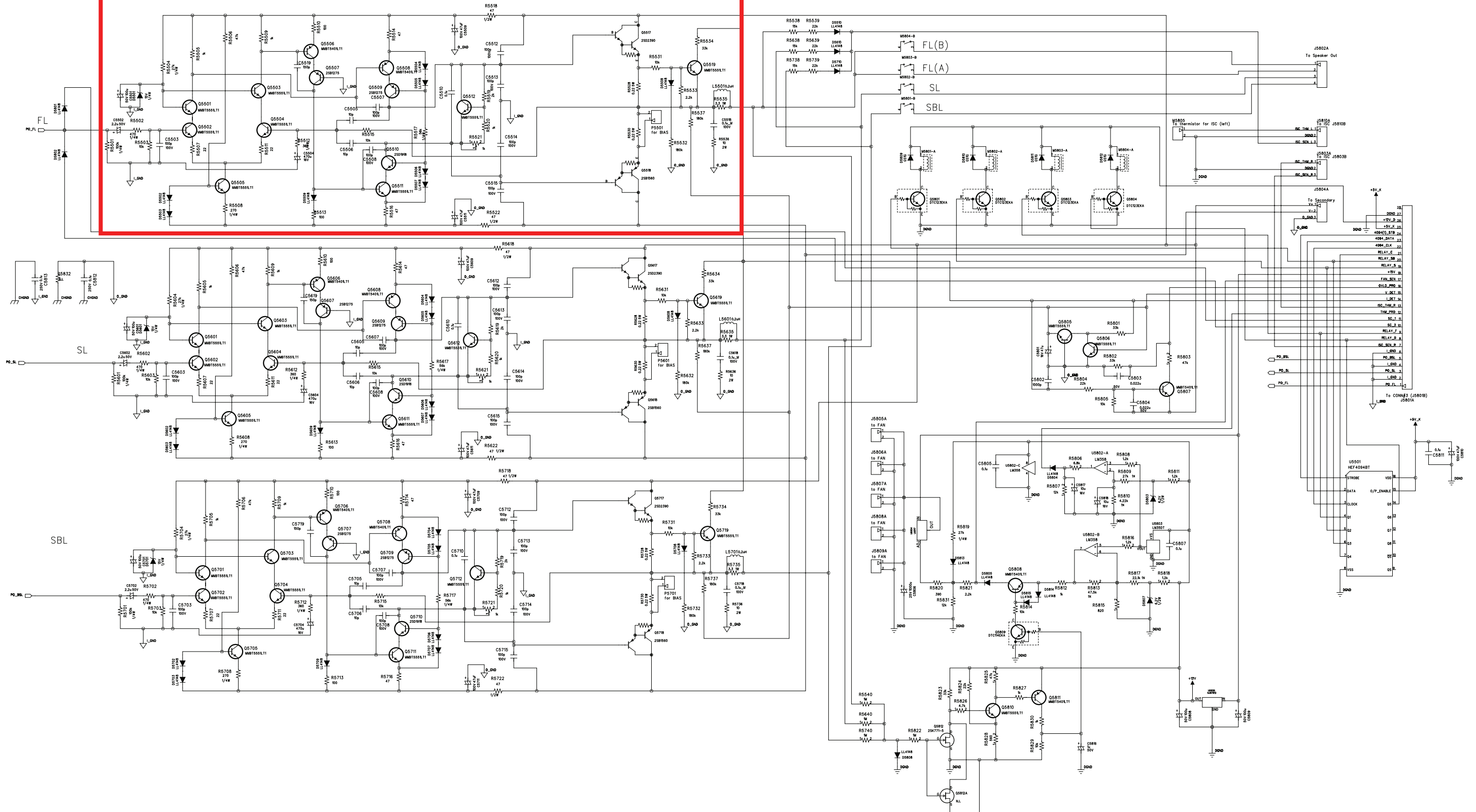
ITEM	PART NO.	DESC.	QTY
1	08-002-0067-90	FAN DC 60x20mm 12V 0.18A 3800RPM DF126020SL L=430mm w/ 2.5P CONNECTOR (RoHS)	2
2	08-002-0068-90	FAN DC 60x20mm 12V 0.18A 3800RPM DF126020SL L=330mm w/ 2.5P CONNECTOR (RoHS)	3
3	10-005-0268-90	TRANSFORMER PW TOROIDAL 120V T765 AT4.531.0132 TA-700 (RoHS) [FOR 120V VERSION]	1
	10-005-0269-90	TRANSFORMER PW TOROIDAL 230V T765 AT4.531.0132/2 TA-700 (RoHS) [FOR 230V VERSION]	1
4	11-001-0062-90	SWITCH ROCKER 1P1T BLK/BLK 10A/250VAC TV-5 UL/CSA/VDE/SEMKO (RoHS)	1
5	15-004-0074-90	AC SOCKET IEC 10A 250V JR-101 (RoHS) [FOR 120V VERSION]"	1
	15-004-0075-90	AC INLET 10A 250V R-301 RICH BAY UL/CCC/VDE/N/S (RoHS) [FOR 230V VERSION]	1
6	15-004-0078-90	AC OUTLET 3 PINS US POLARIZED SS-6B-1-NY (RoHS) [FOR 120V VERSION]	1
	15-004-0076-90	AC OUTLET EURO CEE 7 2.5A/250V A302D0060P (RoHS) [FOR 230V VERSION]	1
7	15-016-0001-90	AM/FM TUNER MIDULE KST-MB114MA0-23 (RoHS)	1
8	19-001-0088-91	EXT.HTSK LEFT T775(ROHS)	1
9	19-001-0089-91	EXT. HTSK RIGHT T775 (RoHS)	1
10	19-001-0090-90	U-SHAPE EXT. HTSK T775 (RoHS)	1
11	19-001-0093-91	HEATSINK-RECTIFER T762 (RoHS)	1
12	19-001-0116-90	HEATSINK PLATE TRANSISTOR 2.5MM ALUMINIUM (RoHS)	7
13	21-001-0030-90	NEW VOLUME KNOB ASSY T175 GRAPHITE (RoHS) [FOR GRAPHITE VERSION]	1
	21-001-0031-90	NEW VOLUME KNOB ASSY T175 TITANIUM (RoHS) [FOR TITANIUM VERSION]"	1
14	21-002-0155-90	POWER BUTTON TACT ACTIVE T765 GRAPHITE (RoHS)[FOR GRAPHITE VERSION]	1
	21-002-0156-90	POWER BUTTON TACT ACTIVE T765 TITANIUM (RoHS)[FOR TITANIUM VERSION]	1
15	21-002-0157-90	2X BUTTON SET T765 GRAPHITE (RoHS) [FOR GRAPHITE VERSION]	2
	21-002-0158-90	2X BUTTON SET T765 TITANIUM (RoHS) [FOR TITANIUM VERSION]	2
16	21-002-0159-90	4 WAYS BUTTON T765 GRAPHITE (RoHS) [FOR GRAPHITE VERSION]	1
	21-002-0160-90	4 WAYS BUTTON T765 TITANIUM (RoHS) [FOR TITANIUM VERSION]	1
17	21-002-0161-91	CENTER BUTTON T765 GRAPHITE (RoHS) [FOR GRAPHITE VERSION]	1
	21-002-0162-90	CENTER BUTTON T765 TITANIUM (RoHS) [FOR TITANIUM VERSION]	1
18	22-001-0043-00	SCREW MACHINE M3 x 6 P/H WASHER HEAD NI PLT (RoHS)	2
19	22-001-0367-00	SCREW MACHINE M3 x 6 P/H NI PLT (RoHS)	12
20	22-001-0376-90	MACHINE SCREW M3 x 6 P/H BLK (RoHS)	3
21	22-001-0379-90	MACHINE SCREW M4 x 8 WASHER HEAD BLK (RoHS)	6
22	22-001-0381-90	MACHINE SCREW M3 x 10 PAN HEAD NI PLT (RoHS)	18
23	22-001-0384-90	MACHINE SCREW M4 x 14 WASHER HEAD BLK (RoHS)	1
24	22-001-0409-90	SCREW MACHINE M3 x 15 WASHER HEAD W/ STOPPER NI PLT (RoHS)	20

25	22-001-0410-90	SCREW MACHINE M2.6 X 6 K/H BLK PLT (RoHS)	4
26	22-001-0469-90	HEX BOLT M8 LENGTH=100mm ZN PLATED (RoHS)	1
27	22-003-0030-00	TAPTITE SCREW 3x8 P/H TYPE "B" ZN/NI PLT (RoHS)	67
28	22-003-0049-00	SCREW TAPTITE 3x8 B/H TYPE "B" BLK PLT (RoHS)	48
29	22-003-0107-00	SCREW TAPTITE 3.5x8 B/H TYPE "B" BLK PLT (RoHS)	6
30	22-003-0129-00	SCREW TAPTITE 3x8 SMALL K/H TYPE "B" BLK PLT (RoHS)	19
31	22-003-0132-00	SCREW TAPTITE 3x15 B/H TYPE "B" CHROME TORX T10 W/ COMPRESS (RoHS)	14
32	22-003-0141-90	TAPTITE SCREW 3 X 6 B/H TYPE "B" BLK PLT (RoHS)	8
33	22-003-0143-90	TAPTITE SCREW 3 X 10 P/H TYPE "B" BLK (RoHS)	6
34	22-003-0144-90	TAPTITE SCREW 3.5x8 B/H TYPE "B" NI PLT (RoHS)	4
35	22-003-0145-90	SELF TAPPING SCREW 2.6x8 B/H TYPE "A" NI PLT (RoHS)	4
36	22-003-0147-90	TAPTITE SCREW 4 X 8 C/H TYPE-B BLK (RoHS)	13
37	22-003-0149-90	TAPTITE SCREW 3X6 PAN HEAD TYPE "B" NI PLT (RoHS)	23
38	22-003-0159-90	SCREW TAPTITE 3x5 B/H TYPE "B" NI PLT (RoHS)	22
39	22-003-0161-90	SCREW TAPTITE 3.5x10 B/H TYPE "B" NI PLT (RoHS)	1
40	22-005-0032-00	SPRING WASHER ID3.2 x OD5.6 x 0.9 THK. (RoHS)	26
41	22-005-0033-00	SPRING WASHER ID8.5 x OD12.5 x 1.9 THK. (RoHS)	1
42	22-005-0034-00	WASHER SPRING ID4 x OD7 x 1 THK. (RoHS)	2
43	22-006-0081-00	WASHER STEEL ID3.5 x OD8 x 0.4 THK. ZN PLT (RoHS)	10
44	22-006-0082-00	WASHER METAL ID8.5 x OD30 x 2 THK. (RoHS)	1
45	22-006-0089-00	WASHER METAL ID8.5 x OD16 x 1 NI PLT (RoHS)	1
46	22-006-0091-90	WASHER PVC ID4.2 x OD8.2 x 0.5mm (RoHS)	6
47	22-006-0111-90	WASHER RUBBER ID8.5x28x2.0mm BLACK (RoHS)	1
48	22-007-0078-00	NUT M4 X 3.2mm 0.7p (RoHS)	2
49	22-007-0079-00	HEX NUT M8 x 6.5 THK (RoHS)	1
50	22-007-0081-00	NUT M3 X 2.4mm (RoHS)	6
51	22-008-0027-90	WASHER EXTERNAL TOOTH M3 ID3.2 x OD6.5x0.4 THK NI PLT (RoHS)	4
52	22-008-0025-00	WASHER OUTER TOOTH ID4.2xOD8.2x0.4 THK. NI PLT (RoHS)	1
53	23-232-0010-92	BOTTOM CABINET T775 (RoHS)	1
54	23-236-0007-91	TOP COVER T775 (PAINTED PPG GREY) (RoHS) [FOR GRAPHITE VERSION]	1
	23-236-0016-90	TOP COVER T775 (PAINTED NAD SILVER) (RoHS) [FOR TITANIUM VERSION]	1
55	23-237-0015-90	PANEL - SVIDEO T775 (RoHS)	1
56	23-237-0016-90	PANEL - VOLUME T775 (RoHS)	1
57	23-237-0017-90	PANEL - PRE-OUT T775 (RoHS)	1
58	23-237-0036-92	REAR PANEL T765 (AH) (RoHS) [FOR 120V VERSION]	1
	23-237-0037-93	REAR PANEL T765 (C) (RoHS) [FOR 230V VERSION]	1
59	23-237-0044-92	FASCIA T765 GRAPHITE (RoHS) [FOR GRAPHITE VERSION]	1
	23-237-0058-92	FASCIA T765 NEW TITANIUM(RoHS) [FOR TITANIUM VERSION]	1
60	23-237-0047-90	PANEL - DIGITAL & HDMI T765 (RoHS)	1
61	23-237-0051-92	PLASTIC INNER PANEL T755/T765 GRAPHITE (RoHS)[FOR GRAPHITE VERSION]	1
	23-237-0052-92	PLASTIC INNER PANEL T755/T765 TITANIUM (RoHS)[FOR TITANIUM VERSION]	1

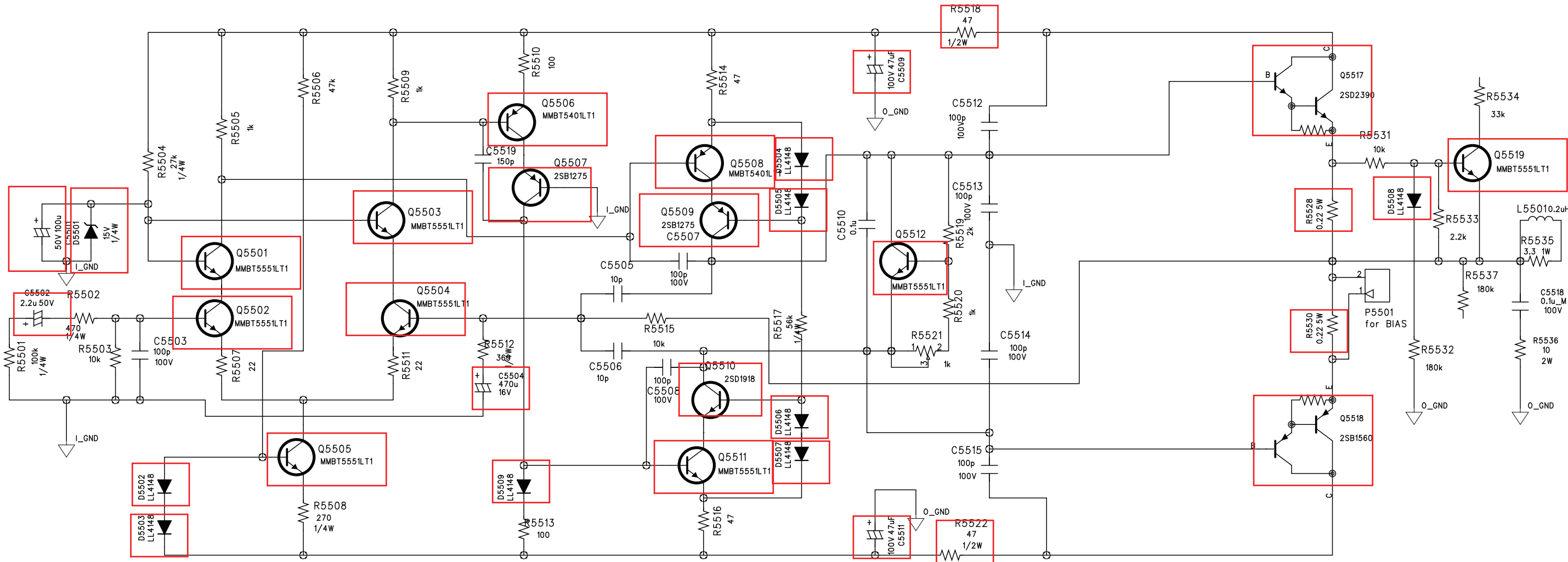
62	23-237-0057-90	PANEL - COMPONENT VIDEO / IPOD T175/785 (RoHS)	1
63	24-031-0007-90	STATIC COVER T775 (PET)(RoHS)	1
64	25-005-0118-90	HEX SPACER AF5.5 H8+6 (RoHS)	1
65	25-005-0121-90	HEX SPACER AF5.5 F/F H29.4 (RoHS)	1
66	25-005-0122-90	HEX SPACER AF5.5 H19.8 (RoHS)	1
67	25-006-0043-90	PCB SUPPORTER "KSS" (H=9.6mm PCB HOLE 4mm) CS-0610 (RoHS)	3
68	25-006-0047-90	PCB CARD GUIDE CG-250(RoHS)	6
69	25-006-0050-90	PCB WIRE HOLDER NYLON MIS-2 (RoHS)	1
70	25-008-0404-90	FRONT LENS TINT COLOR TXX5 AH (RoHS) [FOR 120V VERSION]	1
	25-008-0405-92	FRONT LENS TINT COLOR TXX5 CE (RoHS) [FOR 230V VERSION]	1
71	25-008-0409-90	POWER LED LENS - ROUND #2 MILKY WHITE (RoHS)	1
72	25-014-0030-90	RUBBER FOOT ID14xOD26x3 PORON HH-48C (RoHS)	4
73	25-016-0033-90	FOAM 100x7x8mm BLK (UL GRADE) W/NITTO500 (RoHS)	2
74	25-017-0278-90	BUSHING NYLON OD 16.5 X 9.3 X 3.5mm (RoHS)	1
75	25-018-0052-90	TRANSFORMER INSULATOR DIA.110 X 1.5mm(RoHS)	1
76	25-020-0431-90	FIBRE PAPER 226x48x0.8mm (RoHS)	1
77	25-020-0441-92	FIBRE PAPER 210x140x0.8mm UL GRADE (RoHS)	1
78	25-020-0475-90	INSULATOR TO-3P MICA 22x27x0.125 W/HOLE (RoHS)	14
79	25-020-0483-90	INSULATOR - PC SHEET DSP BD TXX5 (RoHS)	1
80	25-021-0004-90	RUBBER KEYPAD TXX5 (RoHS)	1
81	25-022-1244-90	HEATSINK MOUNTING BRACKET (RoHS)	1
82	25-022-1247-93	MAIN BOARD BRACKET T775 (RoHS)	1
83	25-022-1248-90	PHONE BRACKET T775 (RoHS)	1
84	25-022-1249-90	REAR HTSK SUPPORT BRACKET (RoHS)	1
85	25-022-1250-90	HTSK HANDLE PLATE (RoHS)	1
86	25-022-1279-90	X'FORMER SUPPORT BRACKET T762 (RoHS)	1
87	25-022-1280-90	SIDE CAP - L T775 GRAPHITE (RoHS) [FOR GRAPHITE VERSION]	1
	25-022-1392-90	SIDE CAP - L T775 TITANIUM (RoHS) [FOR TITANIUM VERSION]	1
88	25-022-1281-90	SIDE CAP - R T775 GRAPHITE (RoHS) [FOR GRAPHITE VERSION]	1
	25-022-1393-90	SIDE CAP - R T775 TITANIUM (RoHS) [FOR TITANIUM VERSION]	1
89	25-022-1282-90	PCB GUIDE BRACKET T775/T785 (RoHS)	1
90	25-022-1283-90	SUBFASCIA T775(RoHS)	1
91	25-022-1284-90	FAN MOUNTING COVER T775 (RoHS)	1
92	25-022-1285-91	LARGE FAN MOUNTING BRACKET T772 (RoHS)	1
93	25-022-1287-90	L-SHAPE BRACKET 13 X 10mm (RoHS)	1
94	25-022-1326-90	SPACER BRACKET 5.0mm (RoHS)	6
95	25-022-1341-90	FAN SCREW BRACKET 4.5mm (RoHS)	20
96	25-022-1381-90	FAN GUARD 60mm 40G00002 (RoHS)	5
97	25-024-0315-90	PLASTIC FOOT DOME SHAPE (RoHS)	4
98	25-024-0322-90	DUAL BUTTON T765 GRAPHITE (RoHS) [FOR GRAPHITE VERSION]	4
	25-024-0323-90	DUAL BUTTON T765 TITANIUM (RoHS) [FOR TITANIUM VERSION]	4
99	25-024-0324-90	VIDEO COVER T765 GRAPHITE (RoHS) [FOR GRAPHITE VERSION]	1
	25-024-0325-90	VIDEO COVER T765 TITANIUM (RoHS) [FOR TITANIUM VERSION]	1
100	25-024-0326-90	RUBBER BRACKET T765 (MOLD BLACK) (RoHS)	1

101	25-024-0330-90	FAN RUBBER (RoHS)	20
102	25-020-0350-90	BANANA PLUG BLACK PT#10.B (RoHS) [FOR 230V VERSION]	9
103	25-020-0371-90	BANANA PLUG BRIGHT RED PT#10 (RoHS) [FOR 230V VERSION]	9
104	25-006-0053-90	PCB CARD GUIDE CG-38 (RoHS)	6
105	25-022-1601-90	SIDE SUPPORT BRACKET T765 BLACK (RoHS)	1
106	25-022-1603-90	CARD GUIDE BRACKET - TOP (RoHS)	1

Enlarged in detail on next page

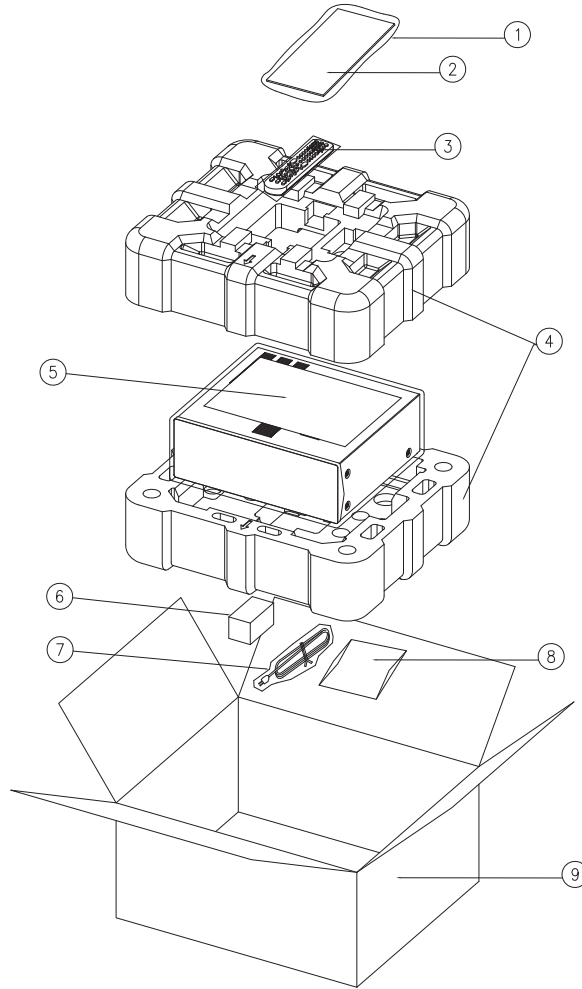


Components in the red boxes are included in the spare part kit part number 52-940-0765-90



T765 Power amplifier components (single channel)		
Part Number	Description	Qty
02-005-0063-90	RES WW 0.22 OHM 5% 5W	2
02-007-0328-90	RES SMD 47 OHM 5% 1/2W	2
03-009-0137-90	CAP ELEC SMD 100uF 50V +/-20%	1
03-009-0141-90	CAP ELEC SMD 2.2uF 50V +/-20%	1
03-009-0144-90	CAP ELEC SMD 470uF 16V +/-20%	1
03-009-0145-90	CAP ELEC SMD 47uF 100V +/-20%	2
04-006-0021-90	SMD DIODE LL4148 SOD80	8
04-007-0035-90	DIODE ZENER SMD 15V 500mW 5% SOD123 MMSZ5245B	1
05-001-0100-90	TRANSISTOR PW DARLINGTON PNP 10A/150V HFE P 6500-20000 TO-3PB 2SB1560 (w/ MICAx1)	1
05-001-0101-90	TRANSISTOR PW DARLINGTON NPN 10A/150V HFE P 6500-20000 TO-3PB 2SD2390 (w/ MICAx1)	1
05-004-0018-90	SMD Transistor MMBT5551LT1G NPN SOT-23	8
05-004-0019-90	SMD Transistor MMBT5401LT1G PNP SOT-23	2
05-004-0030-90	XTR 2SD1918 NPN POWER 160V/1.5A 80MHz HFE 120-390	1
05-004-0031-90	XTR 2SB1275 PNP POWER 160V/1.5A 50MHz HFE 82-180	2

PACKING DIAGRAM & PARTS LIST



ITEM	PART NO.	DESCRIPTION	QTY
1	24-003-0127-90	POLYBAG MAUNAL (RoHS)	1
2	24-004-2006-90	T765 OWNER'S MANUAL GB/F/E/I W/WEEE (RoHS)	1
2	24-004-2007-90	T765 OWNER'S MANUAL D/NL/S/R W/WEEE (RoHS)	1
2	24-004-2153-90	T765 QUICK START MANUAL A3 SIZE (RoHS)	1
2	24-004-1936-90	WARRANTY CARD (RoHS)	1
3	28-008-0004-90	REMOTE CONTROLLER NAD HTR-3 (RoHS)	1
4	24-006-0721-90	POLYFOAM TOP/BOTTOM T775 (RoHS)	2
5	24-003-0130-90	POLYBAG MAIN UNIT (RoHS)	1
5	24-003-0131-90	PROTECTIVE COVER (RoHS)	1
5	24-005-0890-90	A3 WHITE PAPER 80G (RoHS)	1
5	40-001-0108-90	DESSICANT BAG 20g	1
6	09-001-0005-90	MICROPHONE SET WITH PACKING AUDYSSEY(RoHS)	1
6	24-005-1015-90	LABEL TAG 'AUDYSSEY MICROPHONE' (RoHS)	1
7	17-004-0007-00	AC Cord 110V 3PINS 125V/13A SJT AWG16/3C UL/CSA L=2M [FOR AH VERSION]	1
	17-004-0008-00	AC CORD CE 3 PINS 16A 250V LF L=6'7" LP-34 H05VV-F 3C LS- 60 [FOR C, CT VERSION]	1
7	24-003-0120-90	POLYBAG CORD (RoHS)	1
8	15-015-0001-90	ANTENNA ADAPTER 300 TO 75 OHM (RoHS)	1
8	24-003-0122-90	Polybag Manual J9 (RoHS)	1
8	25-027-0001-90	FM WIRE ANTENNA W/Y-TERMINALS (RoHS)	1
8	25-027-0002-90	ANTENNA AM LOOP ASSY W/STAND S0160BL-04 (RoHS)	1
8	28-008-0005-90	REMOTE CONTROLLER NAD ZR-4 (RoHS)	1
9	24-001-0664-90	MASTER CARTON BOX T765 (RoHS)	1

SERVICE MANUAL

T 765

Surround Sound Receiver