


SERVICE MANUAL

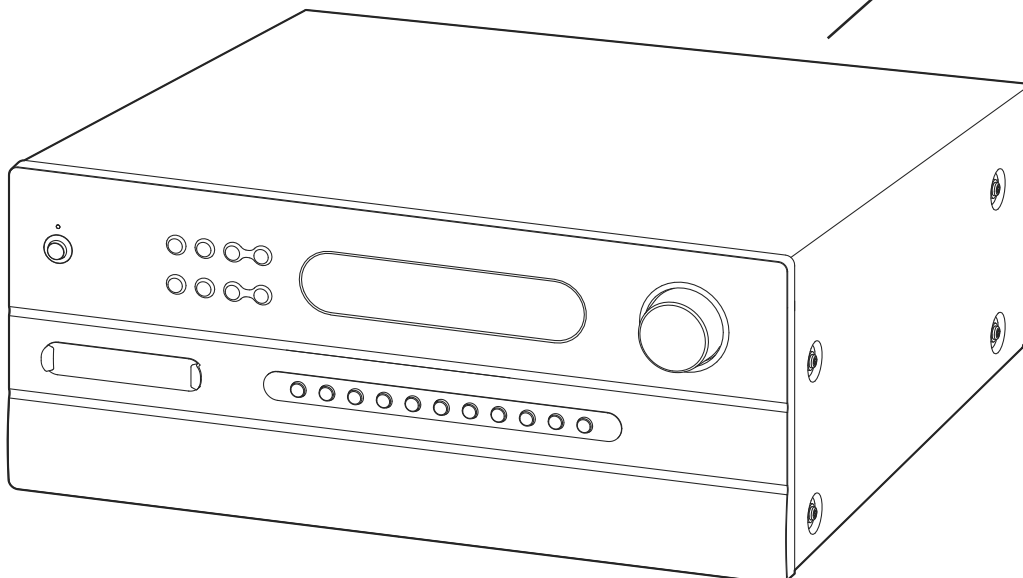


T 773
AV Receiver

T 773
PHASE II & VC

SAFETY INFORMATION

<p><i>Microsoft, HDCD, and the HDCD logo are trademarks or registered trademarks of Microsoft Corporation in the United States and/or other countries.</i></p>
<p>NAD, Soft Clipping, Power Drive and EARS are trademarks of NAD Electronics International, a division of Lenbrook Industries Limited. <i>Copyright 2003, NAD Electronics International, a division of Lenbrook Industries Limited.</i></p> <p>Manufactured under license from Digital Theater Systems, Inc. U.S. Pat. No's. 5,451,942; 5,956,674; 5,974,380; 5,978,762; 6,487,535 and other U.S. and world-wide patents issued and pending. "DTS", "DTS-ES" and "Neo:6" are trademarks of Digital Theater Systems, Inc. Copyright 1996, 2003 Digital Theater Systems, Inc. All Rights Reserved.</p>
<p>Manufactured under license from Dolby Laboratories. "Dolby", "Pro Logic", and the double-D symbol are trademarks of Dolby Laboratories.</p> <p>THIS DEVICE COMPLIES WITH PART 15 OF THE FCC RULES. OPERATION IS SUBJECT TO THE FOLLOWING TWO CONDITIONS: (1) THIS DEVICE MAY NOT CAUSE HARMFUL INTERFERENCE, (2) THIS DEVICE MUST ACCEPT INTERFERENCE RECEIVED, INCLUDING INTERFERENCE THAT MAY CAUSE UNDESIRABLE OPERATION.</p>
<p>NAD ELECTRONICS INTERNATIONAL 633 GRANITE COURT, PICKERING, ON, CANADA L1W 3K1</p> <p>MODEL T 773 A/V SURROUND SOUND RECEIVER</p> <p>POWER RATING 120V 60Hz 8.5A ~</p> <p>CUSTOM MANUFACTURED TO NAD SPECIFICATIONS IN THE PEOPLE'S REPUBLIC OF CHINA</p> <p>AH VERSION</p>
<p>NAD ELECTRONICS INTERNATIONAL</p> <p>MODEL T 773 A/V SURROUND SOUND RECEIVER</p> <p>POWER RATING 230V 50Hz 4.5A ~</p> <p>CUSTOM MANUFACTURED TO NAD SPECIFICATIONS IN THE PEOPLE'S REPUBLIC OF CHINA</p> <p>C VERSION</p>
<p> CAUTION RISK OF ELECTRIC SHOCK DO NOT OPEN</p> <p>WARNING: SHOCK HAZARD - DO NOT OPEN AVIS: RISQUE DE CHOC ELECTRIQUE - NE PAS OUVRIR</p>



SERVICE SAFETY PRECAUTIONS

1. Replacing the fuses

CAUTION:

FOR CONTINUED PROTECTION AGAINST THE RISK OF FIRE REPLACE ONLY WITH SAME TYPE OF FUSE.

<u>Reference Designator</u>	<u>SCM</u>	<u>Part Number</u>	<u>Description</u>
F751*AH ⚠	370-019100-00(2)	33-0321111-00-88	FUSE 10A 250VAC SLOW BLOW 5X20mm 5T UL/CSA
F751*C ⚠	370-016100-04(9)	33-0161006-00-88	FUSE 10A 250VAC TIME-LAG 5X20mm 5D VDE/UL/CSA
F752*AH ⚠	370-011100-06(4)	33-0111006-00-88	FUSE 1.6A 250V TIME LAG 5X20mm 5T UL/CSA/VDE/SEMKO
F752*C ⚠	370-015100-02(2)	33-0151006-00-88	FUSE 800mA 250V TIME LAG 5X20mm TSD UL/CSA/VDE/SEMKO

NOTE:

- <*AH > : USA, CANADIAN MODEL ONLY.
- <*C > : EUROPEAN MODEL ONLY.

2. Safety check out

(Only U.S.A. model)

Before returning the product to the customer, make leakage current or resistance measurements to determine that exposed parts are acceptably insulated from supply circuit.

Parts marked with the symbol ⚠ are critical with regard to the risk of fire and electric shock. Replace only with parts recommended by the manufacturer.

CONTENTS

DESCRIPTION	PAGE
SPECIFICATIONS	4 - 5
REAR PANEL / FRONT PANEL VIEW	6
DISASSEMBLY INSTRUCTIONS	7
WIRING DIAGRAM	8 - 10
BLOCK DIAGRAM	11
SPECIAL FUNCTION	12
DETAILS & WAVEFORMS ON SYSTEM & TEST & DEBUGGING	12
ADJUSTMENT POINTS DIAGRAM / AMPLIFIER ADJUSTMENT	13
PCB LAYOUT	14 - 25
SCHEMATIC DIAGRAM	26 - 43
IC BLOCK DIAGRAM	44 - 52
EXPLODED VIEW & EXPLODED VIEW PARTS LIST	53 - 55
EXPLODED VIEW & EXPLODED VIEW PARTS LIST - FANS & HEATSINK	56 - 57
EXPLODED VIEW & EXPLODED VIEW PARTS LIST - TRANSFORMER	58
ELECTRICAL PARTS LIST	59 - 72
PACKING DIAGRAM	73

SPECIFICATIONS

POWER AMPLIFIER SECTION

Rated distortion	(Rated power level into 8 ohms, THD 20 Hz-20 kHz FL/C/FR) (Rated power level into 8 ohms, THD 20 Hz-20 kHz SL/SR/BS)	$\leq 0.1 \%$ $\leq 0.1 \%$
Input Sensitivity	(ref. 8 ohms, 1 kHz)	387 \pm 20 mV
S/N Ratio	(A-wtd, 1kHz, 1 W, 8 ohm, SL/SR/BL)	≥ -75 dB
Frequency Response	(20 Hz - 20 kHz)	0 \pm 1.0 dB
Channel Balance	(1 dB to -40 dB, 1 kHz) (-41 dB to -50 dB, 1 kHz)	≤ 2 dB ≤ 3 dB
Audio muting at 1 kHz		≥ 55 dB
Subwoofer out, 500 mV in	(THD at 2 V O/P, 100 Hz)	$\leq 0.5 \%$
Crosstalk	(500 mV input, 10 W, 1 kHz)	≥ -57 dB
Controls		
Bass	(at 500 mV in, 1 W out, 100 Hz)	± 10 dB ± 2 dB
Treble	(at 500 mV in, 1 W out, 10 kHz)	± 10 dB ± 2 dB

DOLBY DIGITAL SECTION

Channel Difference(FL ref. Track 30)		± 1.2 dB
Frequency Response at Dolby config.2	SL Track 46 200 - 20 kHz SR Track 47 200 - 20 kHz C Track 44 200 - 20 kHz	± 0.8 dB ± 0.8 dB ± 0.8 dB
Harmonic Distortion	(1 W, Audio LPF, Dolby Congfig 1) FL Track 65 997 Hz FR Track 67 997 Hz SL Track 68 997 Hz SR Track 69 997 Hz C Track 66 997 Hz	$\leq 0.08 \%$ $\leq 0.08 \%$ $\leq 0.08 \%$ $\leq 0.08 \%$ $\leq 0.08 \%$
S/N Ratio	(TRACK 30 for O/P 1 W, FAUSE) CCIR / ARM Audio LPF A-WTD	≥ 65 dB ≥ 70 dB ≥ 70 dB
Channel Separation	(1 W, A-WTD FILTER) Track 65 997 Hz	≥ 60 dB

DOLBY PRO LOGIC II SECTION

Frequency Response

I/P mode : L, R	: 1 V in, 1 W, Ch L/R	40 Hz 20 kHz	0 \pm 2.0 dB 0 \pm 2.0 dB
I/P mode : L=R	: 1 V in, 1 W, Ch /L/R Ch C	40 Hz 20 kHz	0 \pm 2.0 dB 0 \pm 2.0 dB
I/P mode : L=-R	: 1 V in, 1 W, Ch SL/SR	40 Hz 20 kHz	0 \pm 2.0 dB 0 \pm 2.0 dB
S/N Ratio (200 mV in, 1 W, A-WTD w/ 1 k termination)			
I/P mode : L, R	: 1 kHz, Ch L/R		≥ 65 dB
I/P mode : L=R	: 1 kHz, Ch C		≥ 65 dB
I/P mode : L=-R	: 1 kHz, Ch SL/SR		≥ 65 dB
THD (2.2 V in, 1 W, w/ 80 kHz LPF, 1 kHz)			$\leq 0.2 \%$

DTS SECTION

Output Level (Vol 0 dB) : FL/FR/C/SL/SR	Track 6 1 kHz	0.3 - 1.3 W
Channel Difference (FL ref): FL/FR/C/SL/SR	Track 6 1 kHz	± 1.0 dB
Harmonic Distortion (Audio Filter) : FL/FR/C/SL/SR	Track 10-14 1 kHz	≤ 0.08 %
Frequency Response (20 Hz to 20 kHz)	Track 26-30	+2/-1.5 dB
Subwoofer Output Level 1 kHz ref at pre-out (FL)	Play Track 10, charge to 15	12.5 ± 1.5 dB

AM TUNER SECTION

Input level is expressed as the reading in open circuit of 75-ohm source impedance signal generator

Usable sensitivity (999/1000 kHz)	≤ 30 dBuV
S/N Ratio (5 mV in)	≥ 38 dB
THD (5 mV in)	≤ 3 %
IF Rejection (450 kHz)	≥ 36 dB
Image Rejection (F+2xIF)	≥ 28 dB
Selectivity	≥ 17 dB
Output	170 -20/+30 mV
Loop sensitivity (20 dB S/N)	
999/1000 kHz	≤ 66 dB
603/600 kHz	≤ 66 dB
1404/1400 kHz	≤ 66 dB
Frequency Response (100 - 2.3 kHz, 5 mV)	± 6 dB

FM TUNER SECTION

*C

*AH

Input level is expressed as the reading in open circuit of 75-ohm source impedance signal generator

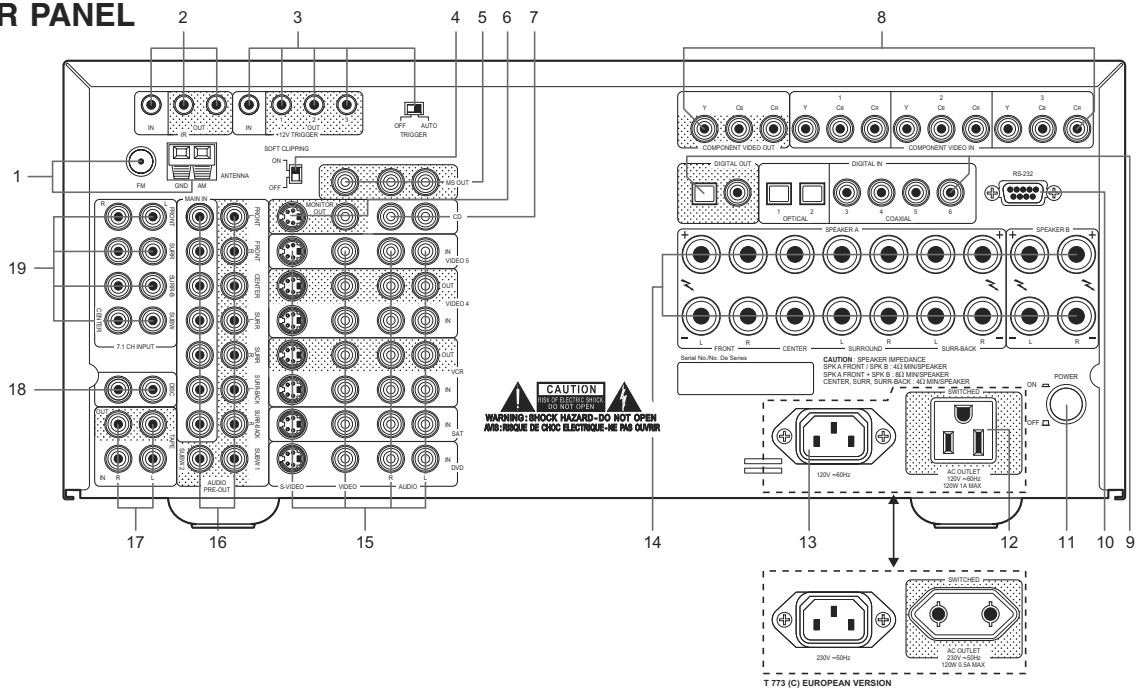
Usable sensitivity (98 MHz)		≤ 15 dBμ	≤ 15 dBμv
S/N Ratio (60 dB, IHF wtd)	Mono	≥ 63 dB	≥ 63 dB
	Stereo	≥ 63 dB	≥ 63 dB
Frequency Response (20 Hz - 15 kHz, 60 dBμ)		0 ± 1.5 dB	0 ± 1.5 dB
Channel Separation (60 dBμ)	100 Hz	≥ 30 dB	≥ 30 dB
	1 k	≥ 38 dB	≥ 38 dB
	10 kHz	≥ 30 dB	≥ 30 dB
Alternate Channel Selectivity (40 dBμ, ± 400 kHz)		≥ 60 dB	≥ 45 dB
Capture Ratio (40 dBμ)		≤ 3 dB	≤ 3 dB
AM Suppression (60 dBμ, 100% Mod. FM, 30% Mod. AM)		≥ 48 dB	≥ 48 dB
Image Rejection (119.4 MHz)		-	≥ 65 dB
I.F. Rejection (10.7 MHz)		≥ 78 dB	-
Pilot Suppression (98 MHz)		≥ 60 dB	≥ 60 dB
THD (60 dBμ, L=R 75 kHz for AH, 40 kHz Dev for C)	Mono	≤ 0.25 %	≤ 0.25 %
	Stereo	≤ 0.35 %	≤ 0.35 %
Auto-Search Sensitivity	On	≥ 24 dBμ	≥ 24 dBμ
	Off	≤ 15 dBμ	≤ 15 dBμ
RDS decode Sensitivity		≤ 26 dBμ	-

PHYSICAL SPECIFICATIONS

Dimensions (Width x Height x Depth)	435 x 195 x 423 mm
Net Weight	24 Kg (52.80 lbs)
Shipping Weight	30.7 Kg (67.50 lbs)

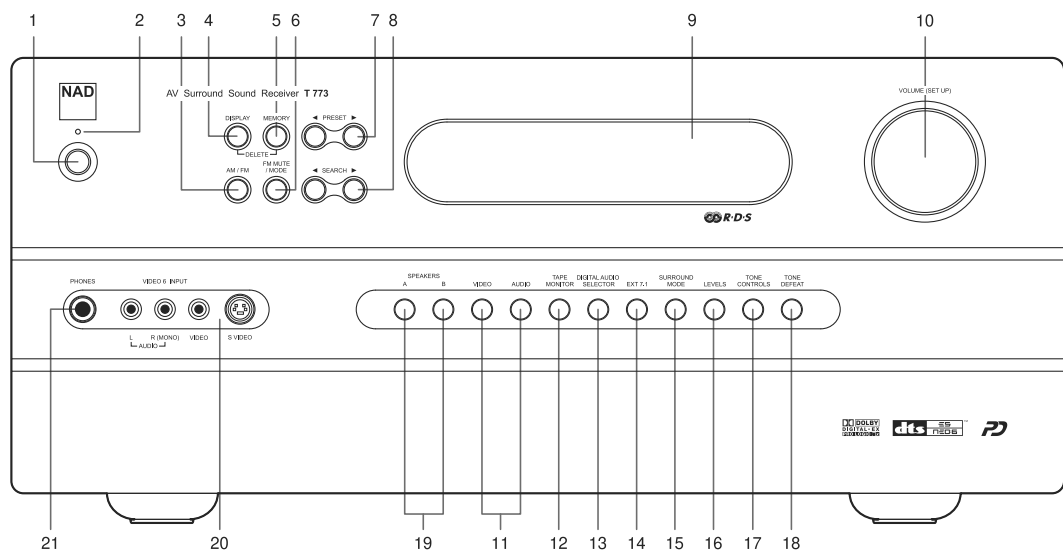
REAR PANEL / FRONT PANEL VIEW

REAR PANEL



- | | |
|---|--|
| 1. FM & AM ANTENNA | 10. RS-232 |
| 2. IR INPUT & OUTPUT | 11. POWER SWITCH |
| 3. +12V TRIGGER INPUT & OUTPUT | 12. SWITCHED AC OUTLETS |
| 4. SOFT CLIPPING ON/OFF | 13. AC POWER INLET |
| 5. MS OUT (MULTISOURCE OUT) | 14. SPEAKERS A & B |
| 6. MONITOR OUT | 15. DVD, SAT, VCR, VIDEO 4 & VIDEO 5 |
| 7. CD INPUT | 16. MAIN IN / AUDIO PRE-OUTS / SUBWOOFER OUT |
| 8. COMPONENT VIDEO IN & COMPONENT VIDEO OUT | 17. TAPE INPUT & OUTPUT |
| 9. DIGITAL AUDIO INPUT & DIGITAL AUDIO OUTPUT | 18. DISC INPUT |
| | 19. 7.1 CH. INPUTS |

FRONT PANEL



- | | | |
|---------------------|----------------------------|--------------------|
| 1. STANDBY SWITCH | 8. SEARCH DOWN / UP | 15. SURROUND MODE |
| 2. STANDBY LED | 9. VFL DISPLAY | 16. LEVELS |
| 3. AM / FM | 10. VOLUME (SETUP) | 17. TONE CONTROLS |
| 6. FM MUTE / MODE | 11. VIDEO & AUDIO | 18. TONE DEFEAT |
| 4. DISPLAY | 12. TAPE MONITOR | 19. SPEAKERS A & B |
| 5. MEMORY | 13. DIGITAL AUDIO SELECTOR | 20. VIDEO 6 INPUT |
| 7. PRESET DOWN / UP | 14. EXT. 7.1 | 21. PHONES |

DISASSEMBLY INSTRUCTIONS

1. Remove machine screws M4.0 x 8.0 (1 to 8) from the side panels. Remove tapping screw 3.0 x 8.0 (9 to 12) from the back panel. Refer to **Figure No. 1**.

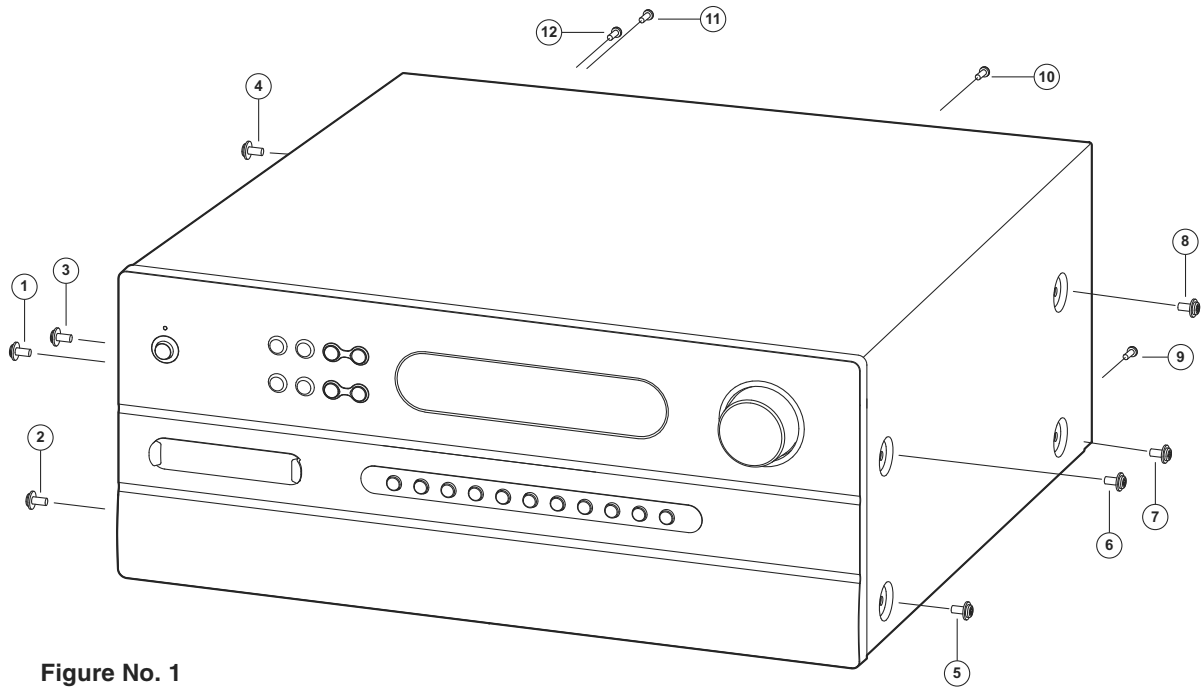


Figure No. 1

2. Pull both sides of the TOP COVER slightly outwards 13 and tilt approx. 35° and then remove in the direction as indicated by the arrow 14. Refer to **Figure No. 2**.

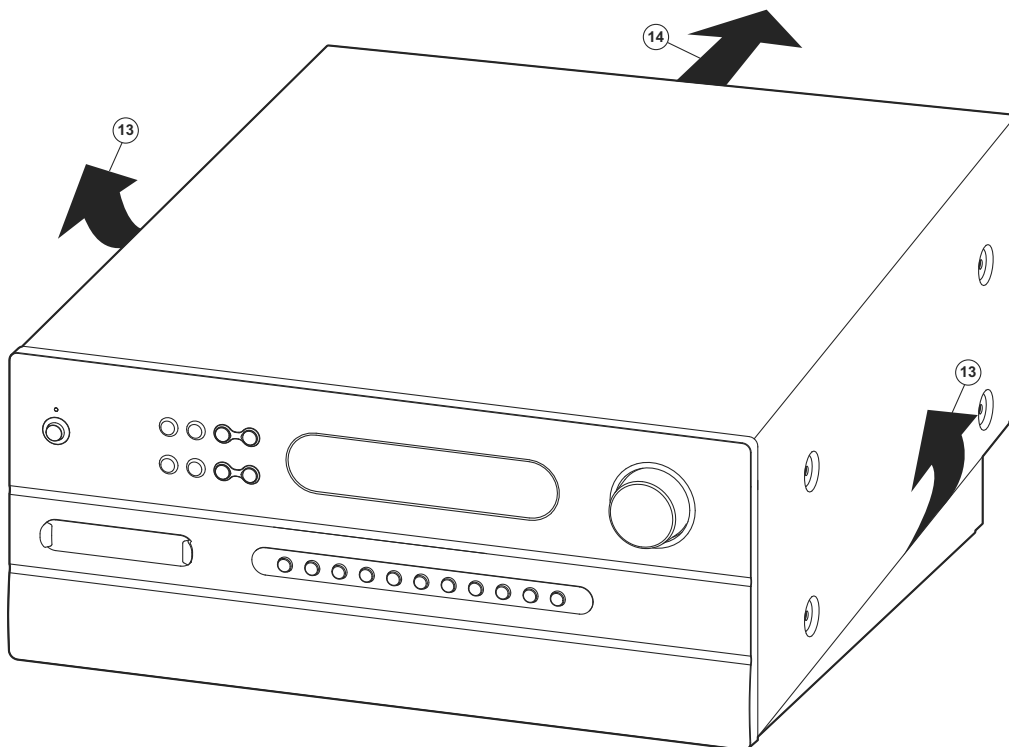
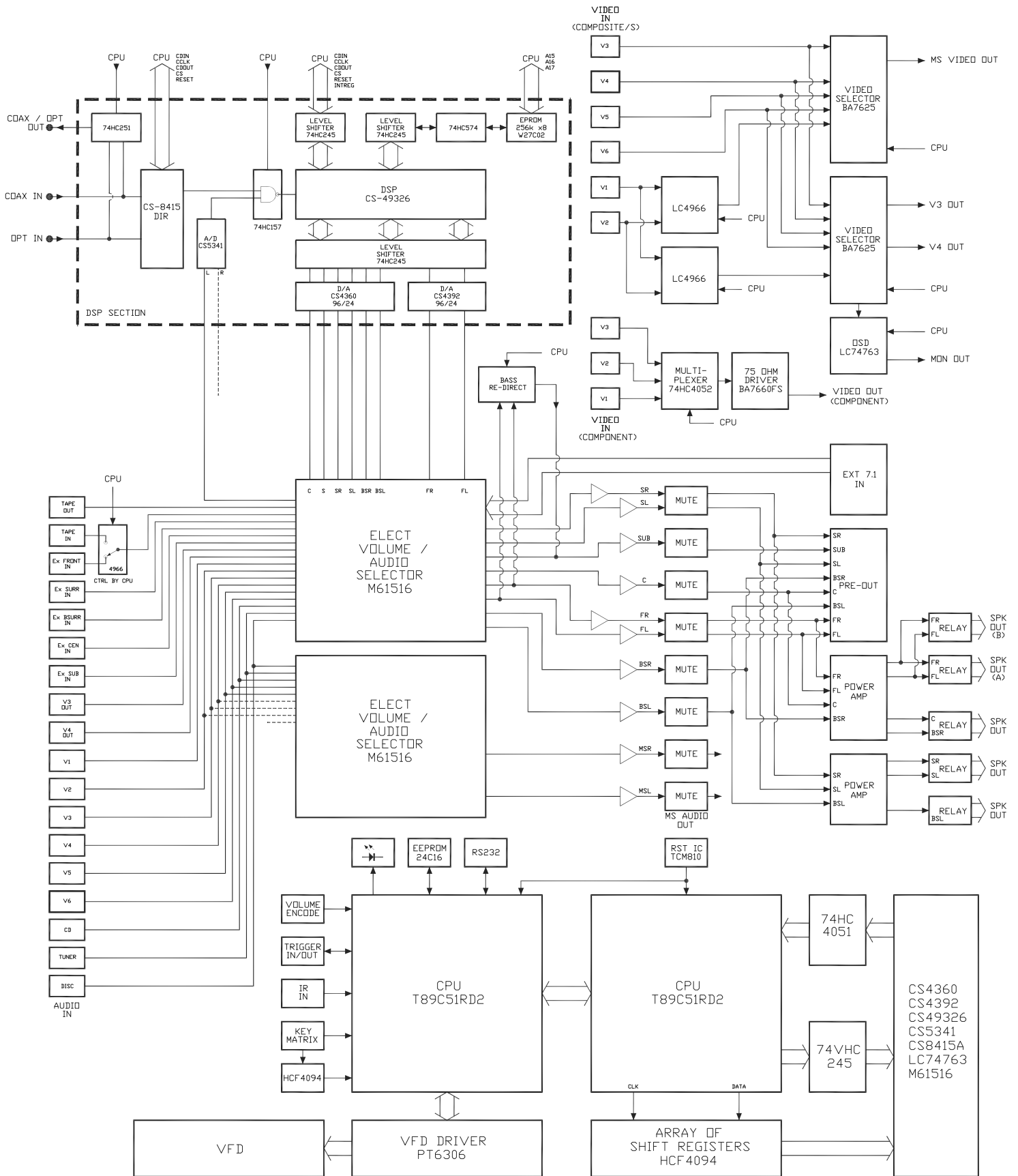


Figure No. 2

<u>ITEM</u>	<u>PART NO.</u>	<u>DESCRIPTION</u>	<u>REMARK</u>
1	276-041823-05	CABLE ASSY 4 WAYS AWG=18 3.96P UL1007 L=280mm	A1 BD-J505B
2	276-041823-11	CABLE ASSY 4 WAYS AWG=18 3.96P UL1007 L=420mm YB03053103-03A	A1 BD-J581B
3	276-062613-22	CABLE ASSY 6 WAYS AWG=26 2.5P UL1007 L=320mm	A1 BD-J503A
4	276-031823-06	CABLE ASSY 3 WAYS AWG=18 3.96P UL1007 L=180mm	A2 BD-J509B
5	276-041823-02	CABLE ASSY 4 WAYS AWG=18 3.96P UL1007 L=200mm REV.B	A2 BD-J781B
6	276-042613-08	CABLE ASSY 4 WAYS AWG=26 2.5P L=450mm YB03091104-02	AU BD-J3103A
7	276-022613-07	CABLE ASSY 2 WAYS AWG=26 2.5P UL1533 L=540mm	DG BD-J1009A
8	276-042613-06	CABLE ASSY 4 WAYS AWG=26 2.5P UL2468 L=540mm	DG BD-J1010A
9	276-042613-10	CABLE ASSY 4 WAYS AWG=26 2.5P UL2877 L=430mm	DG BD-J901A
10	276-011843-01	CABLE ASSY 1 WAY AWG18 UL1007 BLACK L=100mm W/ RING TERMINAL	KE BD-J201
11	276-052613-08	CABLE ASSY 5 WAYS #26 2.5P UL1007 L=160mm	LED BD-J204A
12	276-011843-03	CABLE ASSY 1 WAY AWG=18 UL1007 BLACK L=360mm W/ RING TERMINAL	MAIN BD-J701
13	276-032613-18	CABLE ASSY 3 WAYS AWG=26 2.5P L=110mm	MAIN BD-J6106B
14	276-032613-19	CABLE ASSY 3 WAYS AWG=26 2.5P L=60mm	MAIN BD-J6105B
15	276-032613-29	CABLE ASSY 3 WAYS AWG26X2C UL2547 L=210mm (UL LABEL)	MAIN BD-J715A
16	276-082613-22	CABLE ASSY 8 WAYS AWG=26X3C L=480mm	MAIN BD-J709A
17	276-102613-11	CABLE ASSY 10 WAYS AWG=26 2.5P UL1007 L=260mm (UL LABEL)	MAIN BD-J350B
18	276-122613-12	CABLE ASSY 12 WAYS AWG=26 2.5P L=300mm	MAIN BD-J502B
19	276-142613-02	CABLE ASSY 14 WAYS #26 2.5P UL1007 L=540mm	MAIN BD-J8101B
20	276-031823-11	CABLE ASSY 3 WAYS AWG=18 3.96P UL1015 L=350mm	SPK BD-J582B1 / B2/B3
21	276-041823-10	CABLE ASSY 4 WAYS AWG=18 3.96P UL1007 L=320mm	SPK BD-J782B1 / B2/B3/B4
22	276-051823-07	CABLE ASSY 5 WAYS AWG=18 3.96P UL1007 L=250mm (V/BL/Y)	SPK BD-J501B1 / B3/B5
23	276-051823-10	CABLE ASSY 5 WAYS AWG=18 3.96P UL 1007 L=120mm (R/BK/BR/BK/O)	SPK BD-J801B1 / B2/B3/B4/B5
24	276-051823-11	CABLE ASSY 5 WAYS AWG=18 3.96P UL1007 L=320 (BK/W/BL)	SPK BD-J504B1 / B2/B5
25	276-062613-09	CABLE ASSY 6 WAYS AWG=26 2.5P UL 1533X1C L=540mm REV.B	PO BD-J611A
26	276-082613-09	CABLE ASSY 8 WAYS AWG=26 2.5P UL1533 L=340mm YB03053103-02A	PO BD-J612A
27	276-042613-07	CABLE ASSY 4 WAYS AWG=26 2.5P UL2468 L=400mm	PS BD-J753A
28	276-011643-59	CABLE ASSY 1 WAY AWG=16 UL1672 BROWN L=120mm YB04072905-02	PW BD-J756B
29	276-011643-60	CABLE ASSY 1 WAY AWG=16 UL1672 BLUE L=120mm YB04072905-01	PW BD-J757B
30	276-022613-05	CABLE ASSY 2 WAYS AWG=26 2.5P UL2468 L=340mm	ISC S BD-J811B
31	276-022613-06	CABLE ASSY 2 WAYS AWG=26 2.5P UL2468 L=440mm	ISC F BD-J511B
32	276-021823-02	CABLE ASSY 2 WAYS AWG=18 UL1007 L=170MM S0436-03-02	SE BD-J8105B, J8205B

<u>ITEM</u>	<u>PART NO.</u>	<u>DESCRIPTION</u>	<u>REMARK</u>
33	276-061823-00	CABLE ASSY 6 WAYS AWG=18 UL1007 L=140MM S0436-03-03	SE BD-J8202B
34	276-061823-02	CABLE ASSY 6 WAYS AWG=18 UL1007 L=170MM S0436-03-01	SE BD-J8102B
35	276-082613-20	CABLE ASSY 8 WAYS AWG=26 2.5P UL1007 L=380mm	SV BD-J414A
36	276-011843-01	CABLE ASSY 1 WAY AWG18 UL1007 BLACK L=100mm W/ RING TERMINAL	V6 BD-P4401, P4402
37	238-172820-03	FFC CABLE 17 PINS P1.25 L=200mm W/ SHIELD	J720C
38	238-200016-00	FFC CABLE 20 PINS P1.25 L=160mm W/ SHIELD	J604C
39	238-280017-00	FFC CABLE 28 PINS P1.25 L=170mm W/ SHIELD	J602C,J603C
40	238-300222-00	FFC CABLE 30 PINS P1.25 L=220mm W/ SHIELD	J713C,J714C
41	238-302807-00	FFC CABEL 30 PINS P1.25 L=70mm	J601C
42	276-011643-23	CABLE ASSY 1 WAY AWG=16 UL 1015 GREEN/ YELLOW L=100mm	CHASIS GND, AC OUTLET GND
43	276-011643-29	CABLE ASSY 1 WAY AWG=16 UL1672 BROWN L=100mm	J761_L, J759
44	276-011643-69	CABLE ASSY 1 WAY AWG=16 UL1672 BLUE L=100mm	J761_N, J758

BLOCK DIAGRAM

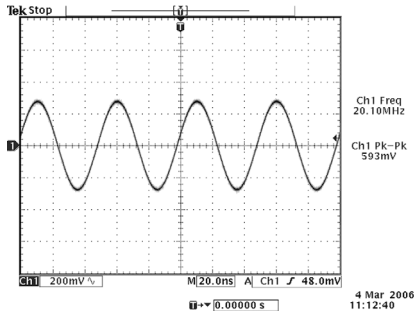


SPECIAL FUNCTION

FEATURE	KEYS PRESS ON FRONT PANEL
RESET FOR AH VERSION RESET FOR C VERSION NTSC / PAL SELECTION VFD ALL DISPLAY AM FREQ. STEP COLOUR BAR GENERATOR (VC-version units only)	VIDEO + TONE DEFEAT VIDEO + TONE CONTROLS VIDEO + MEMORY AUDIO + TAPE MONITOR AM/FM + FM MUTE AUDIO + DIGITAL AUDIO (all monitor outputs will show the generated colour bar)

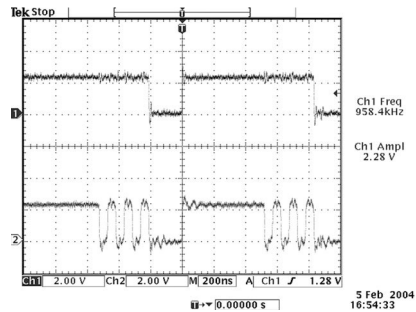
DETAILS & WAVEFORMS ON SYSTEM TEST & DEBUGGING

T89C51RD2 (U202) main clock is at 20MHz (X202)

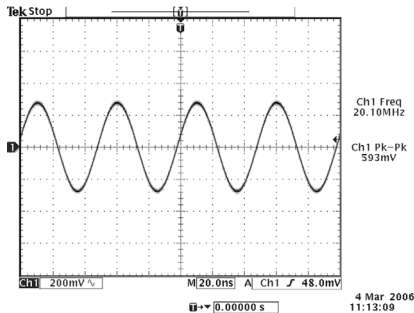


UPPER - OUTPUT ENABLE (pin 24) of EPROM (W27C02) when changing SURROUND MODES

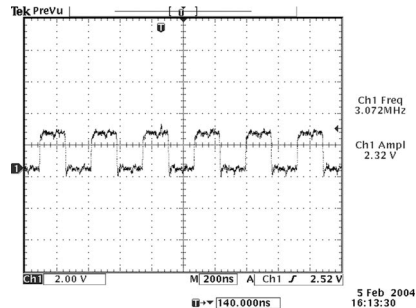
LOWER - CHIP ENABLE (pin 22) of EPROM (W27C02) when changing SURROUND MODES



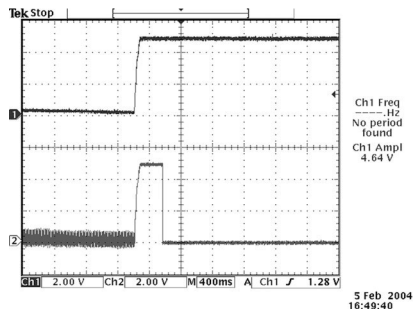
T89C51RD2 (U201) main clock is at 20MHz (X201)



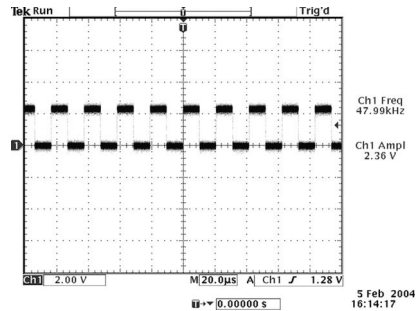
SCLK (pin 43 of CS49326)



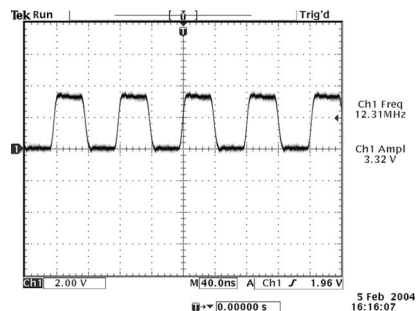
UPPER - +5V supply to KEYBOARD when power up
LOWER - RESET line (TCM810LENB713) when power up



LRCLK (pin 42 of CS49326)



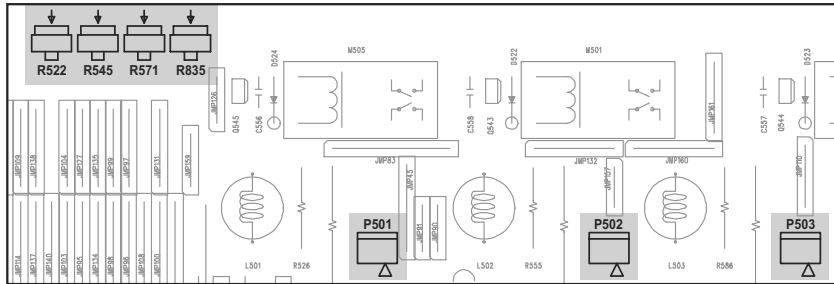
MCLK (pin 30 of CS49326)



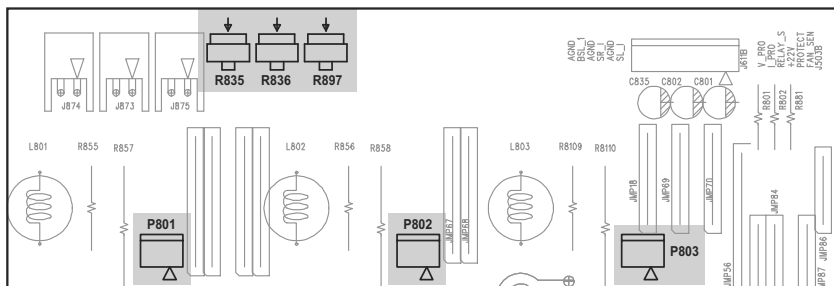
NOTE: The waveforms are based on software version V2.13V.

ADJUSTMENT POINT DIAGRAM

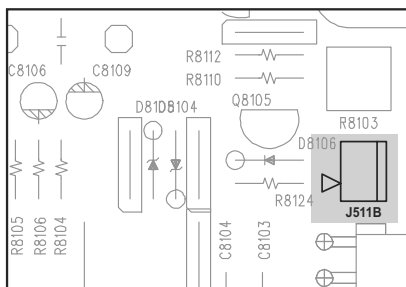
FRONT/CENTER AMPLIFIER BOARD



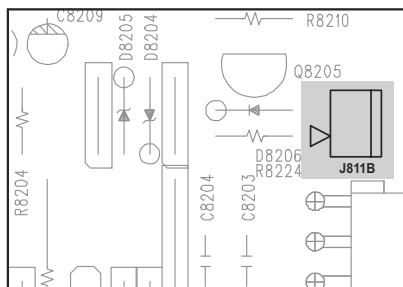
SURROUND AMPLIFIER BOARD



ISC FRONT AMP BOARD



ISC SURROUND AMP BOARD



AMPLIFIER ADJUSTMENT

Idle Current

1. Rotate R522 fully clockwise.
2. Connect DC millivoltmeter to P501 (i.e. Across half of R523, 0.22 Ohm resistor).
3. Turn on the unit.
4. Adjust R522 for 2mV reading on voltmeter.
5. Leave power on for at least 5 min, and check for idle current again.
6. Repeat for other channels.

(IN FRONT POWER AMP PCB)

CHANNEL	JUMPER	VR
FL	P502	R545
FR	P53	R571
C	P503	R571
BSR	P501	R522

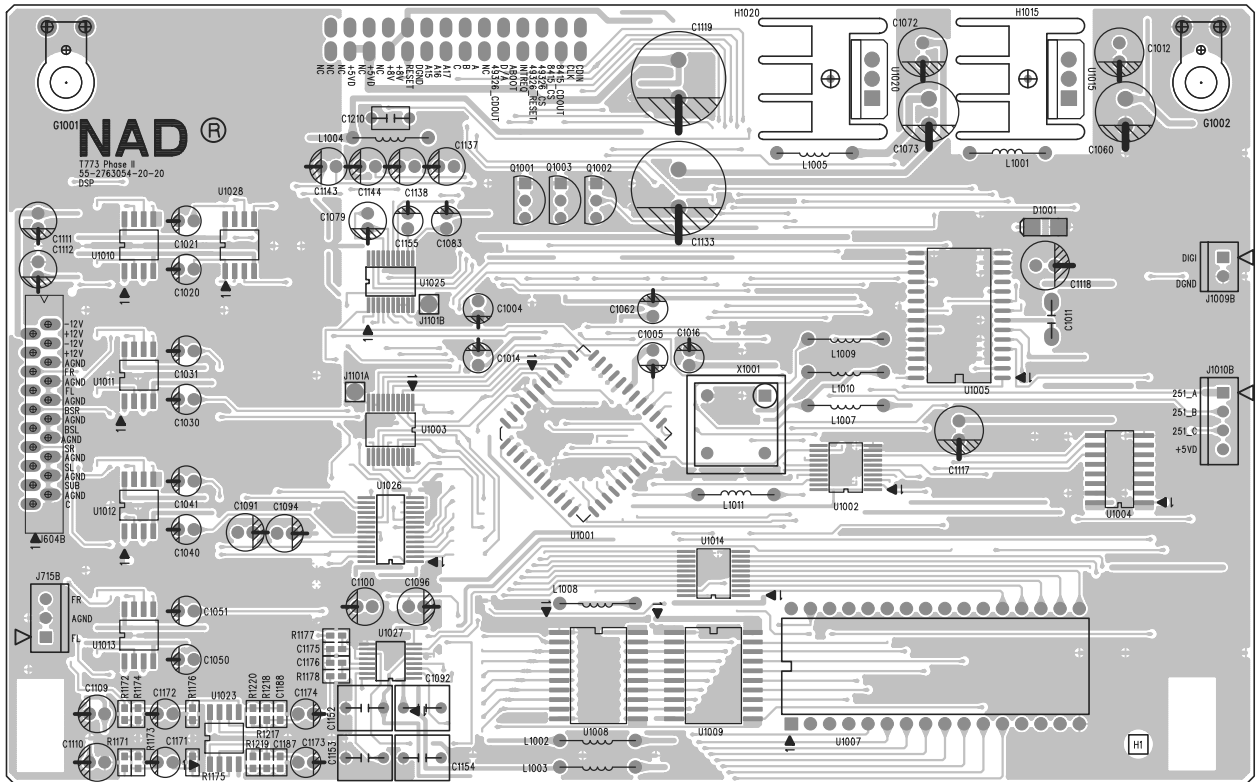
(IN SURROUND POWER AMP PCB)

CHANNEL	JUMPER	VR
SL	P801	R835
SR	P802	R836
BSL	P803	R897

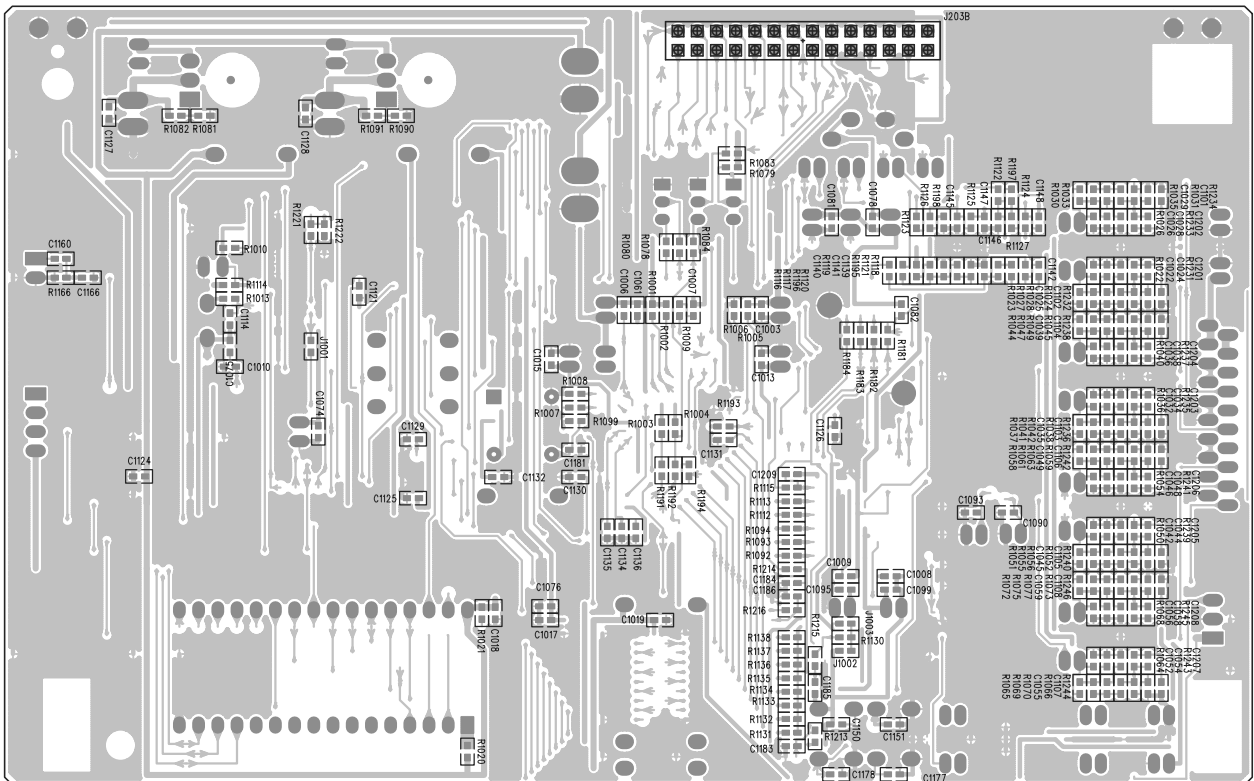
ISC Sensitivity

Rotate J511B & J811B fully clockwise.

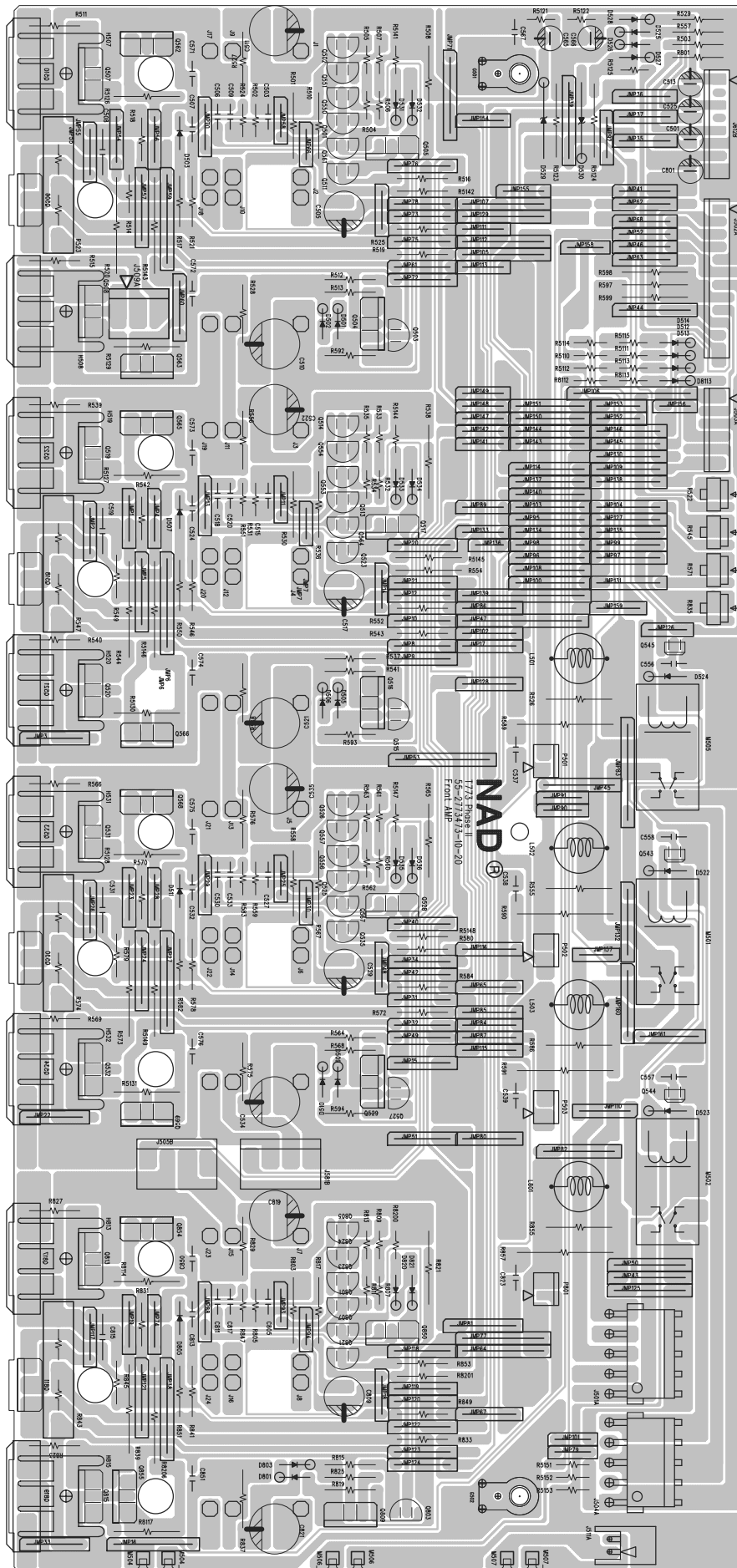
DSP BOARD - COMPONENT SIDE



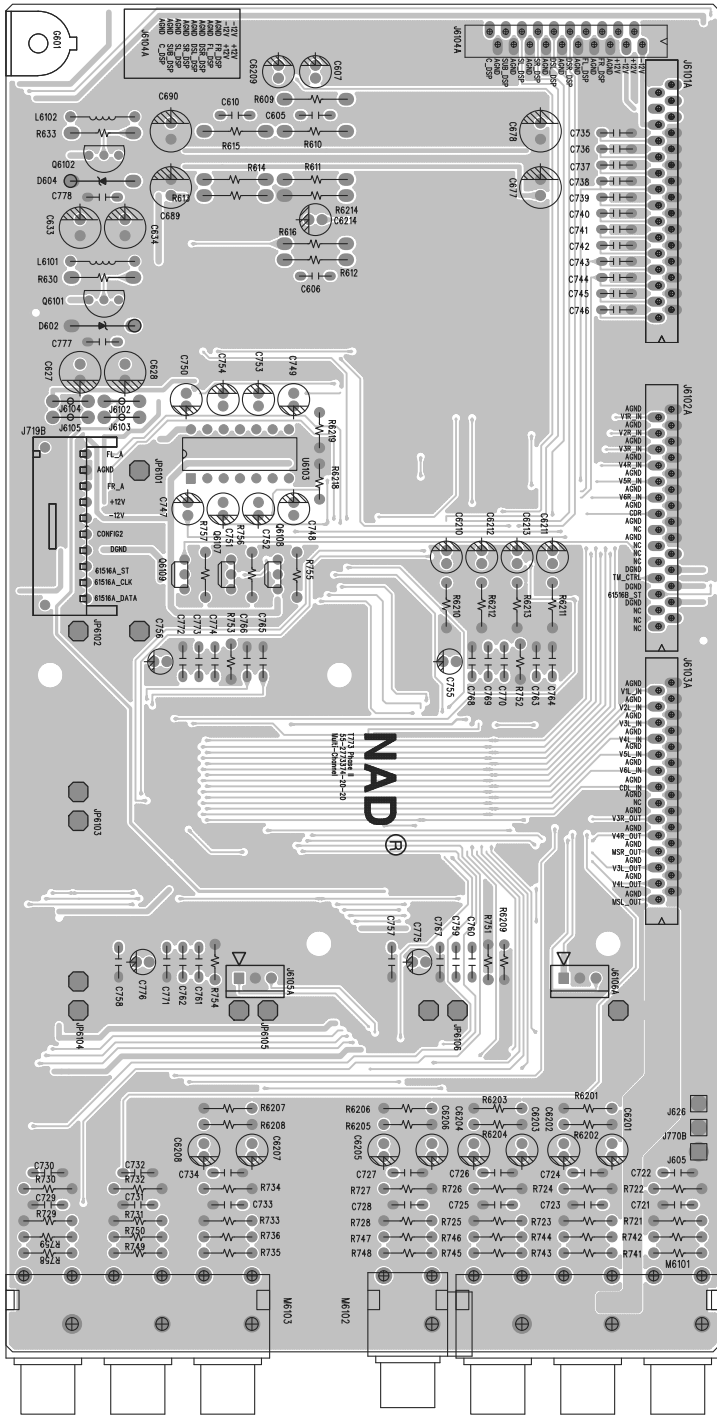
DSP BOARD - COPPER SIDE



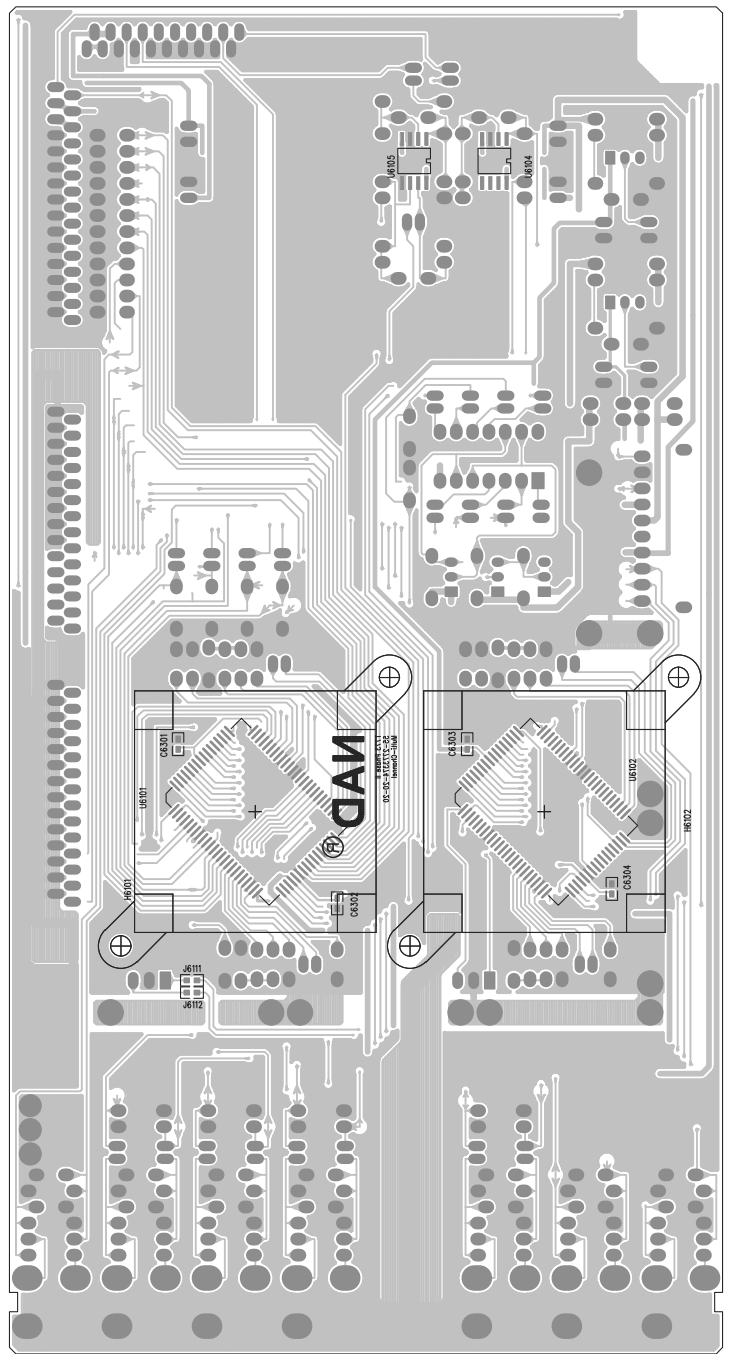
FRONT/CENTER AMPLIFIER BOARD



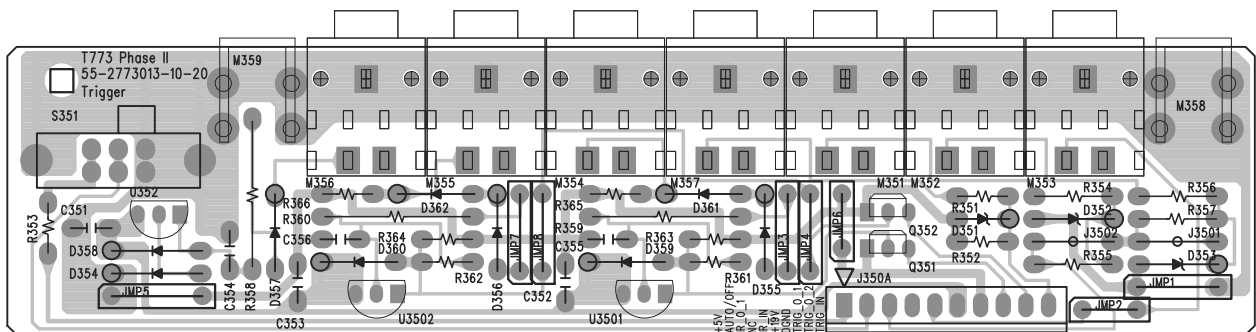
MULTI-CHANNEL BOARD - COMPONENT SIDE



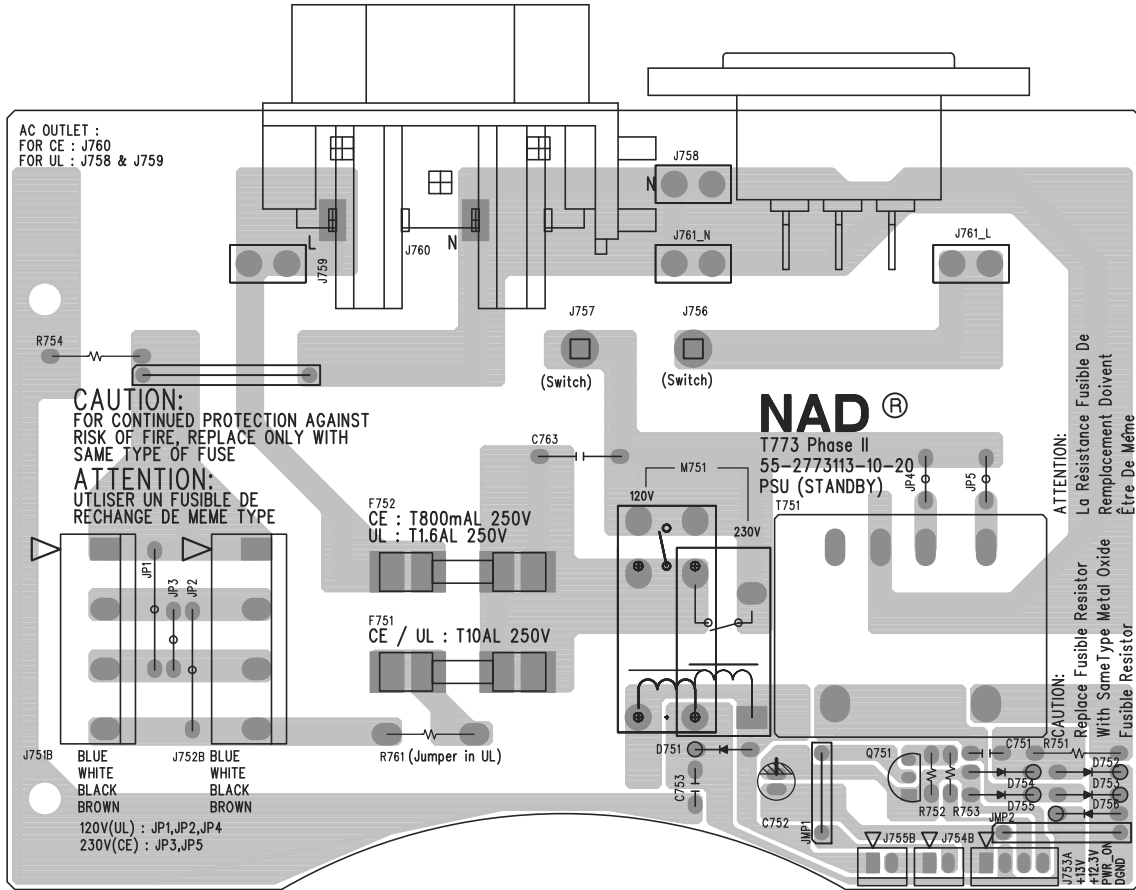
- COPPER SIDE



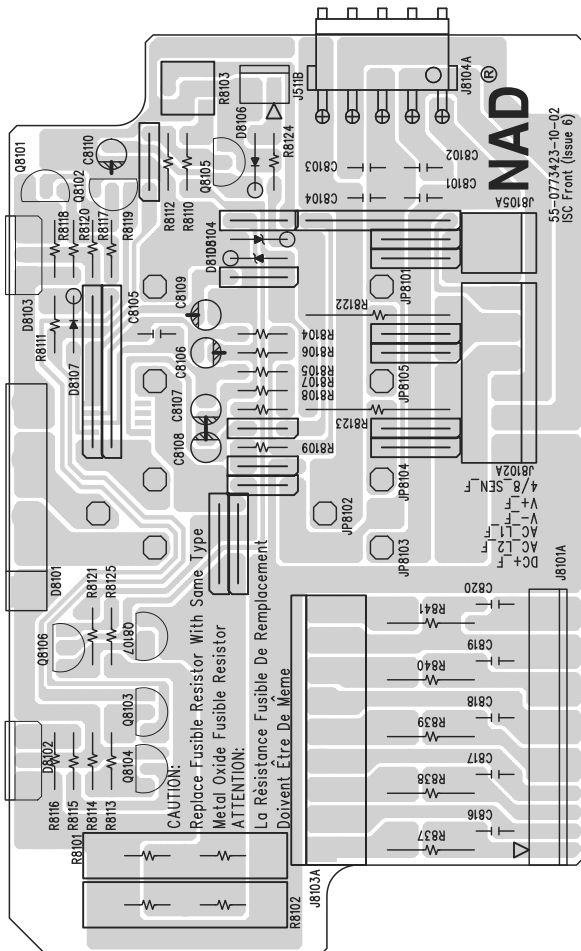
TRIGGER BOARD



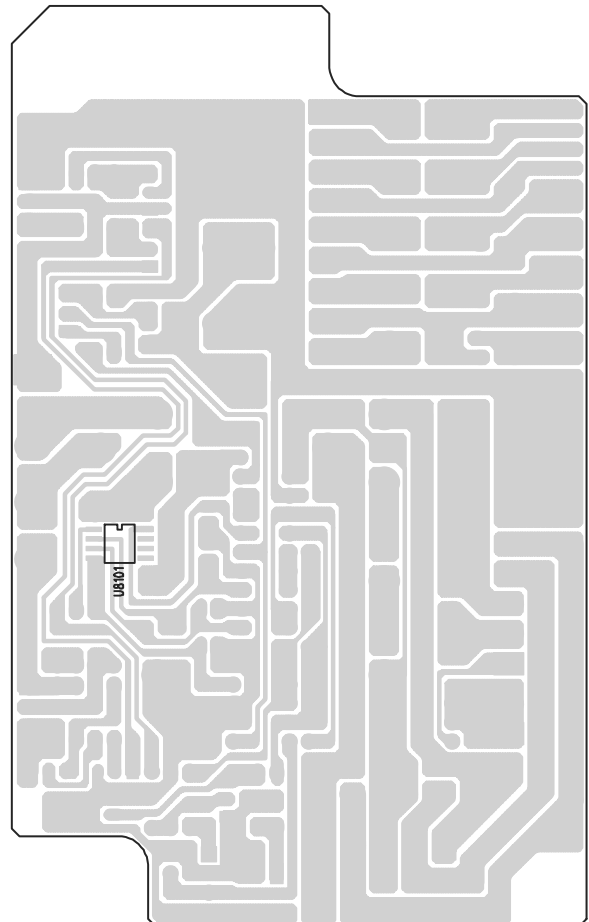
POWER SUPPLY (STANDBY)



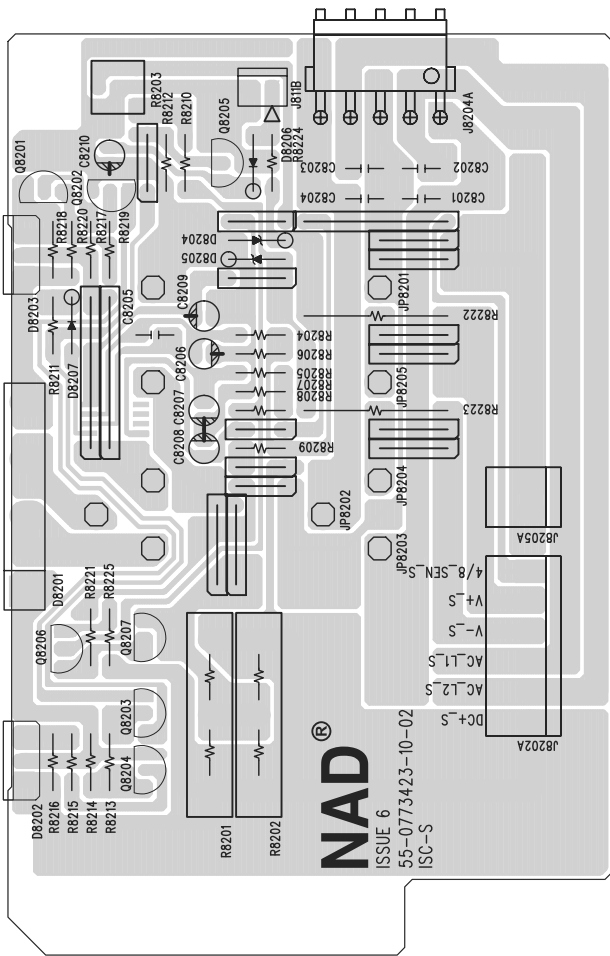
ISC FOR FRONT AMP BOARD - COMPONENT SIDE



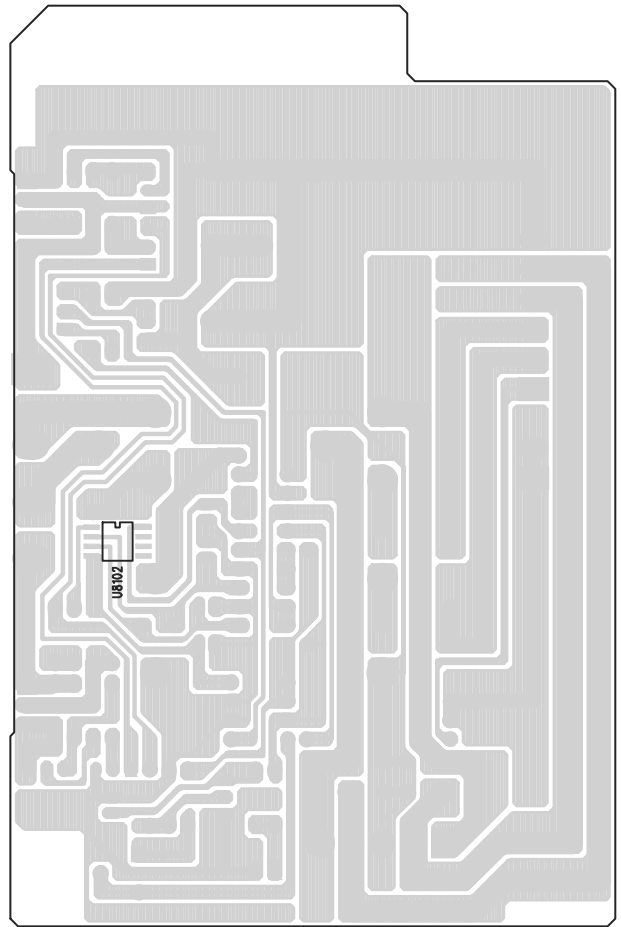
- COPPER SIDE



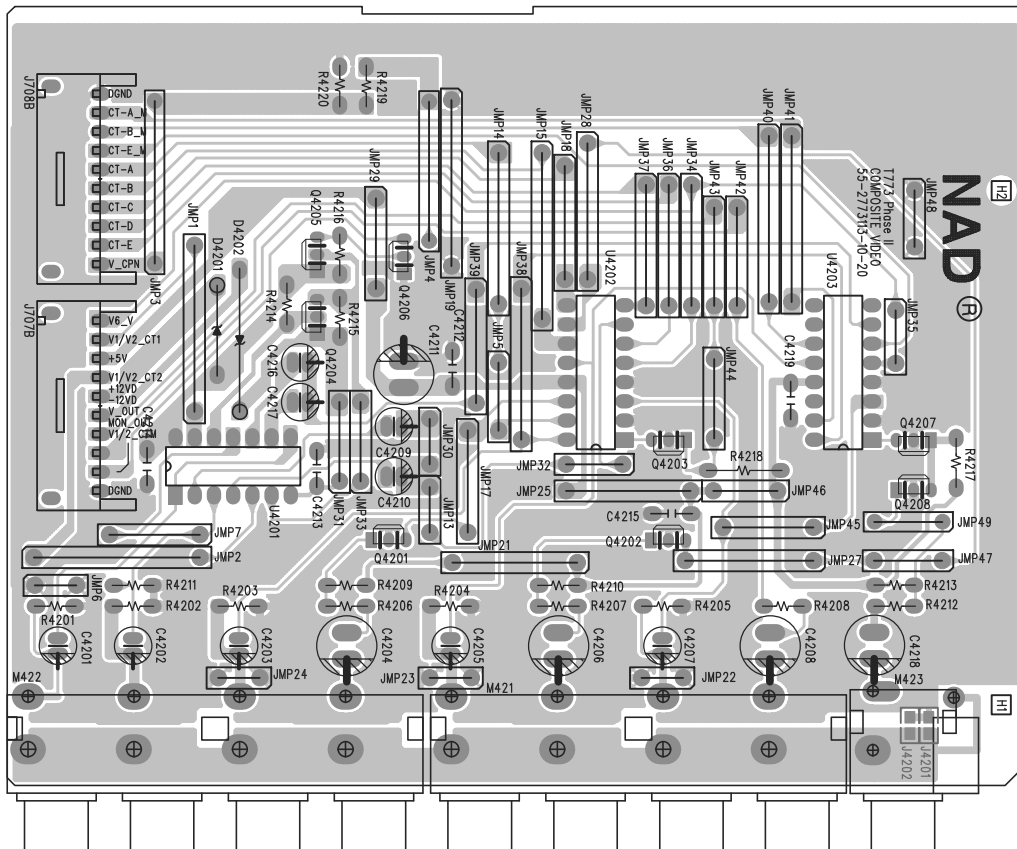
**ISC FOR SURROUND AMP BOARD
- COMPONENT SIDE**



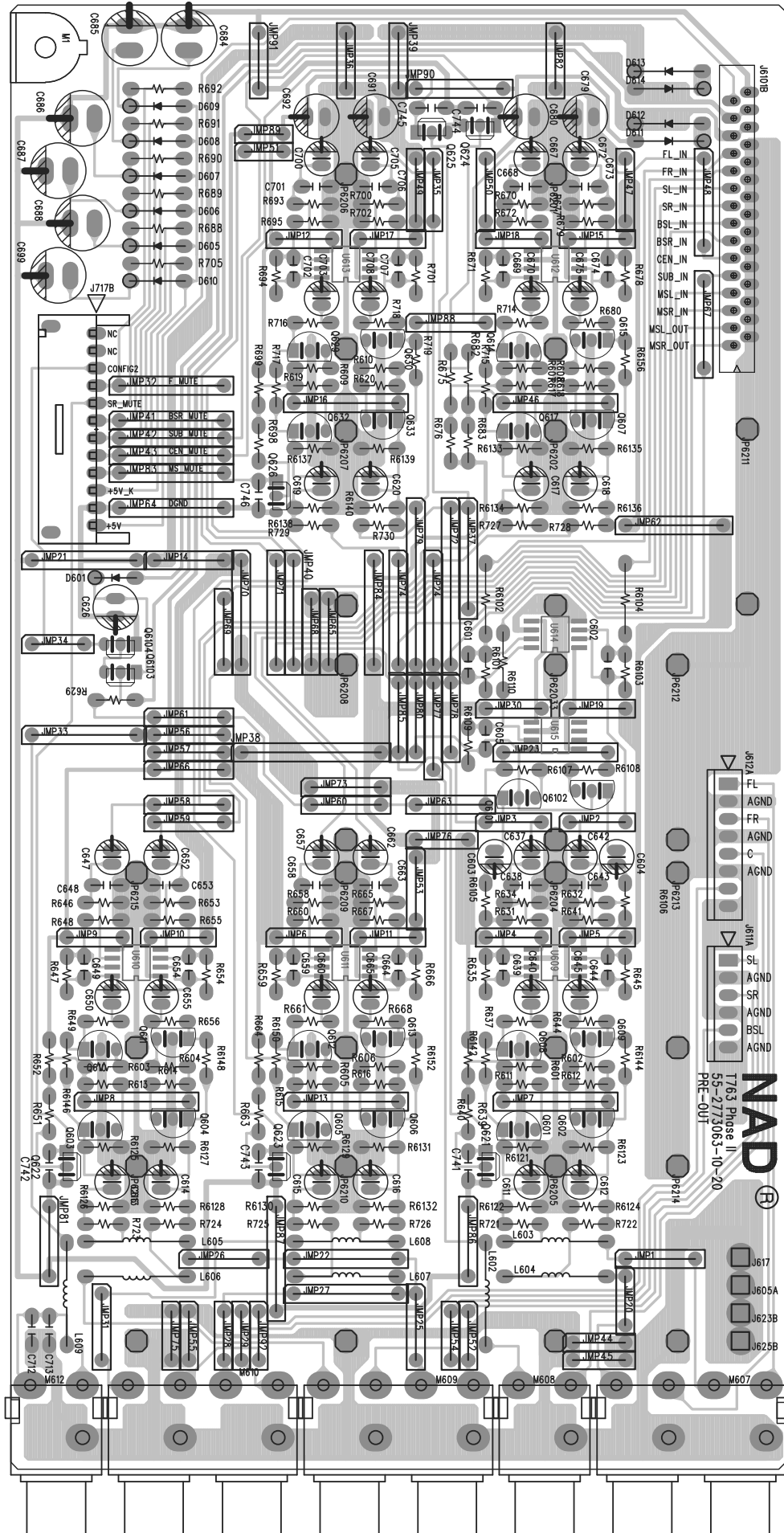
- COPPER SIDE



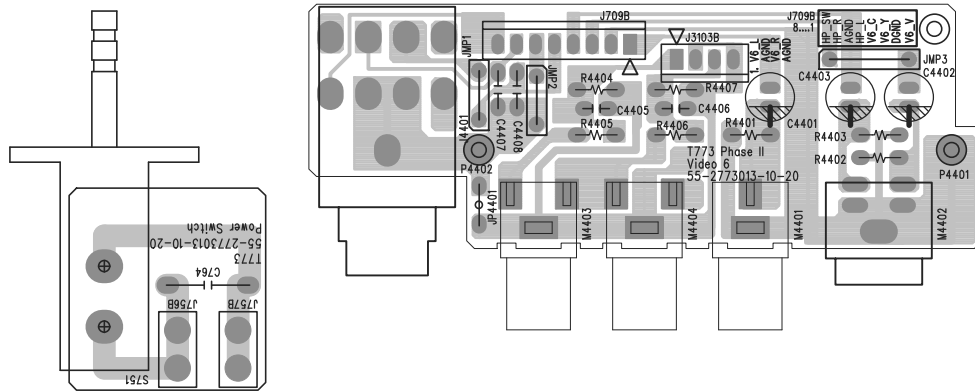
COMPOSITE VIDEO BOARD



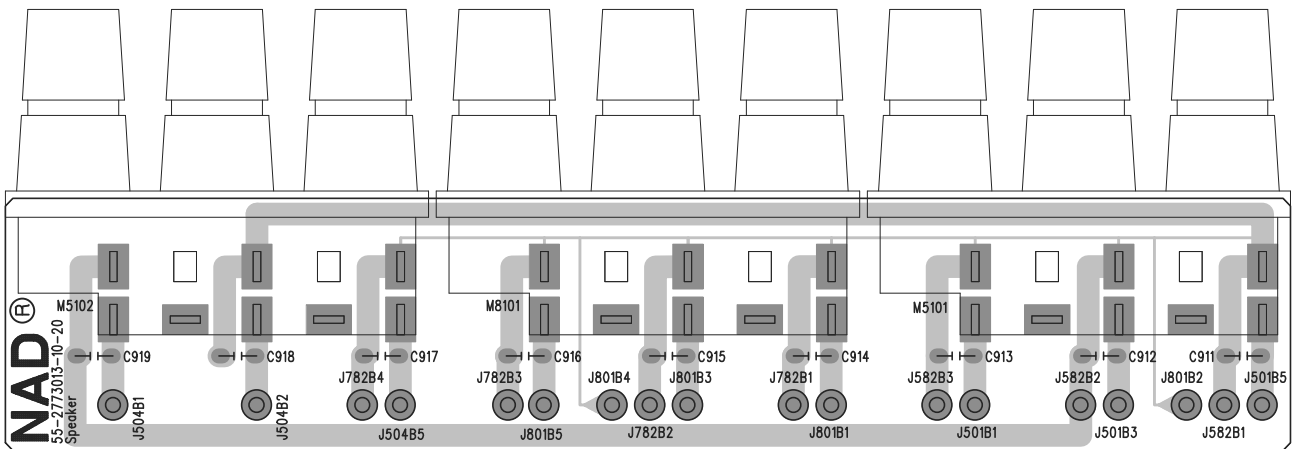
PRE-OUT BOARD



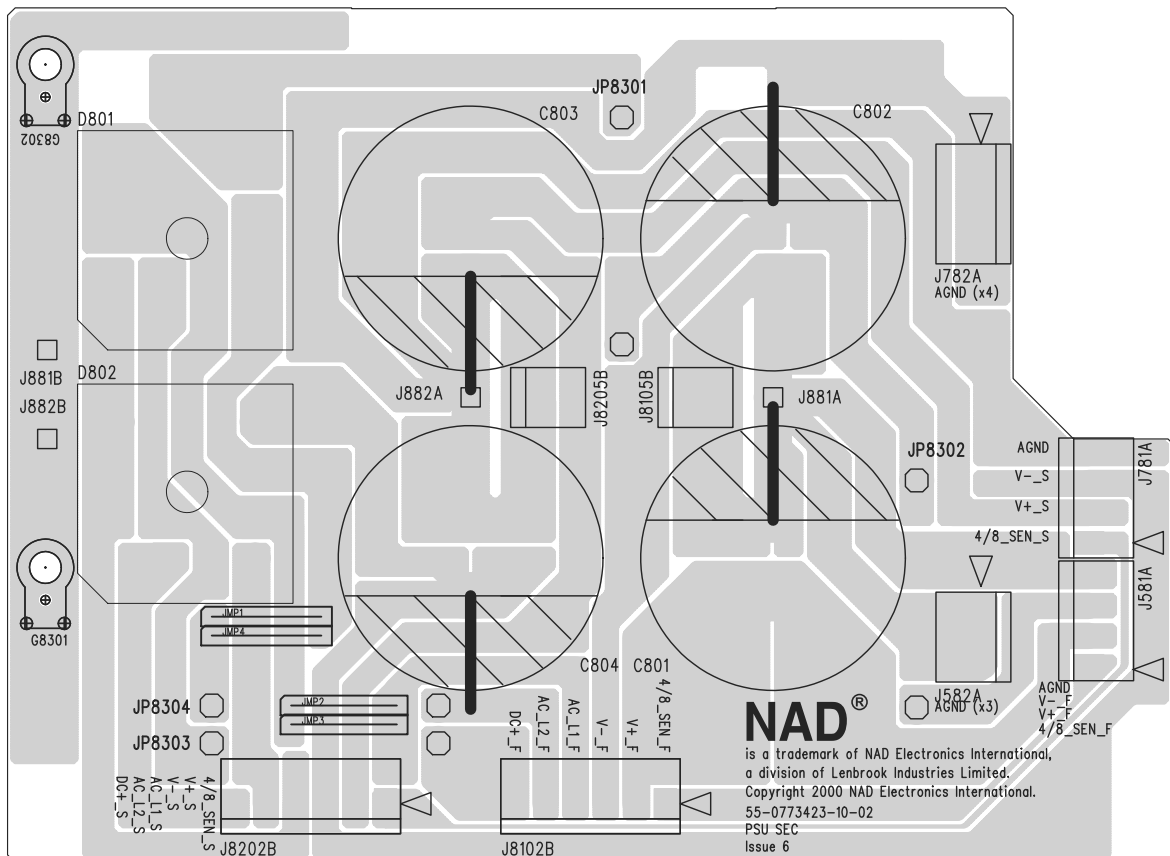
POWER SWITCH / VIDEO 6 BOARD



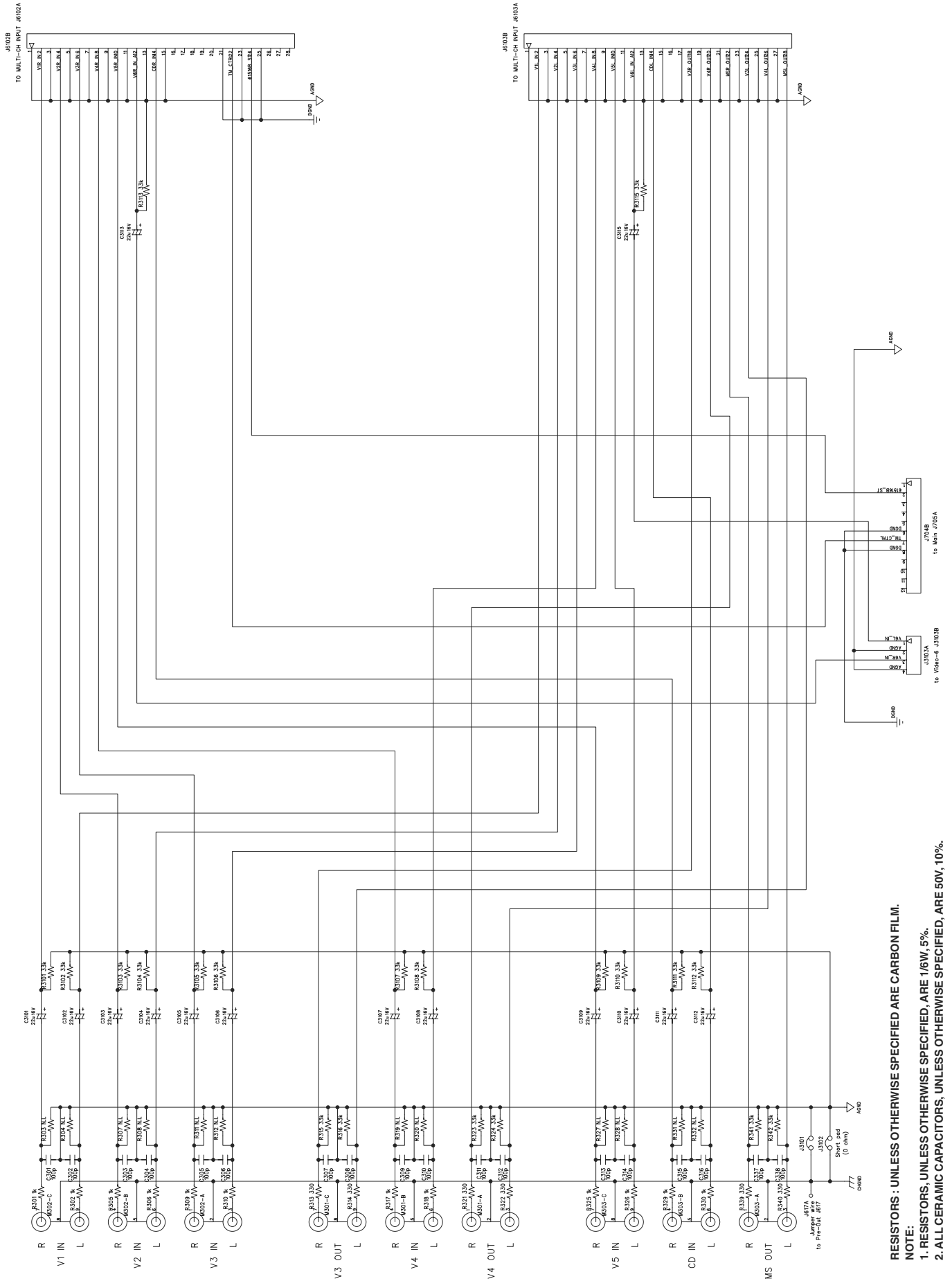
SPEAKER TERMINAL BOARD



SECONDARY BOARD

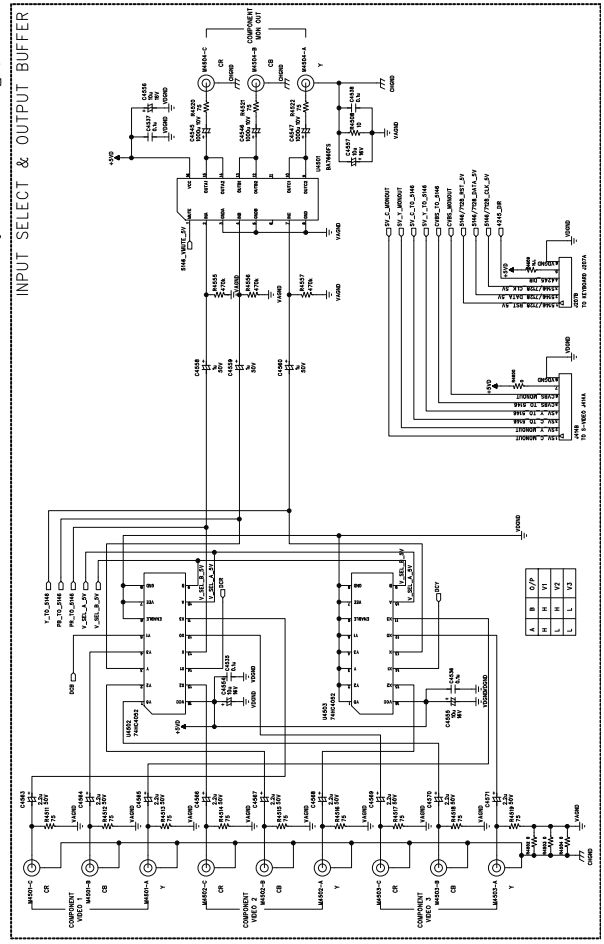
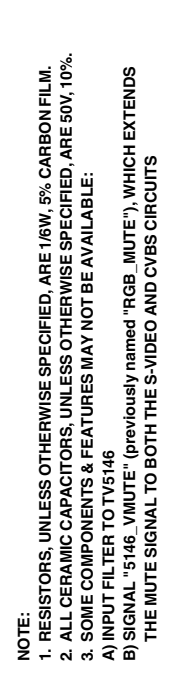
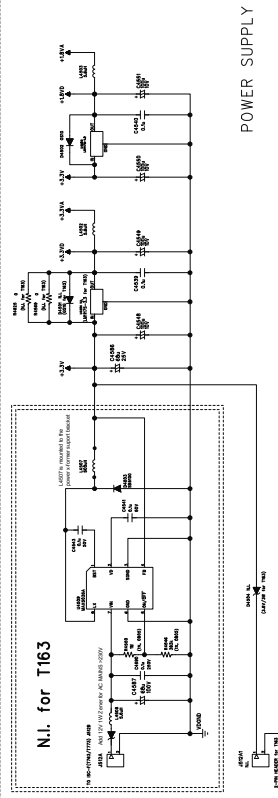
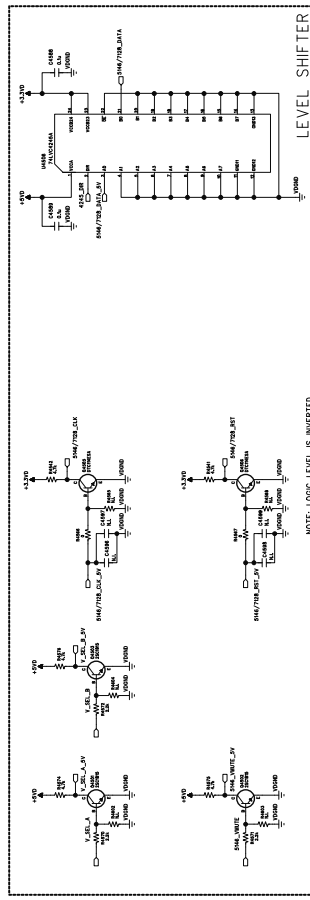
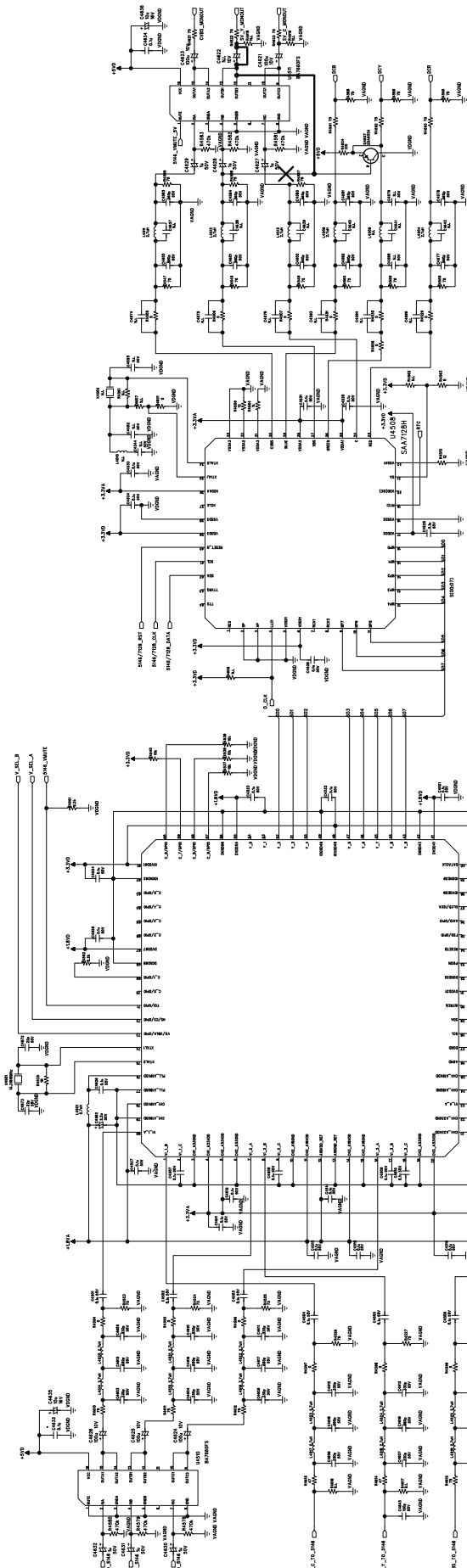


SCHEMATIC DIAGRAM AUDIO SWITCH

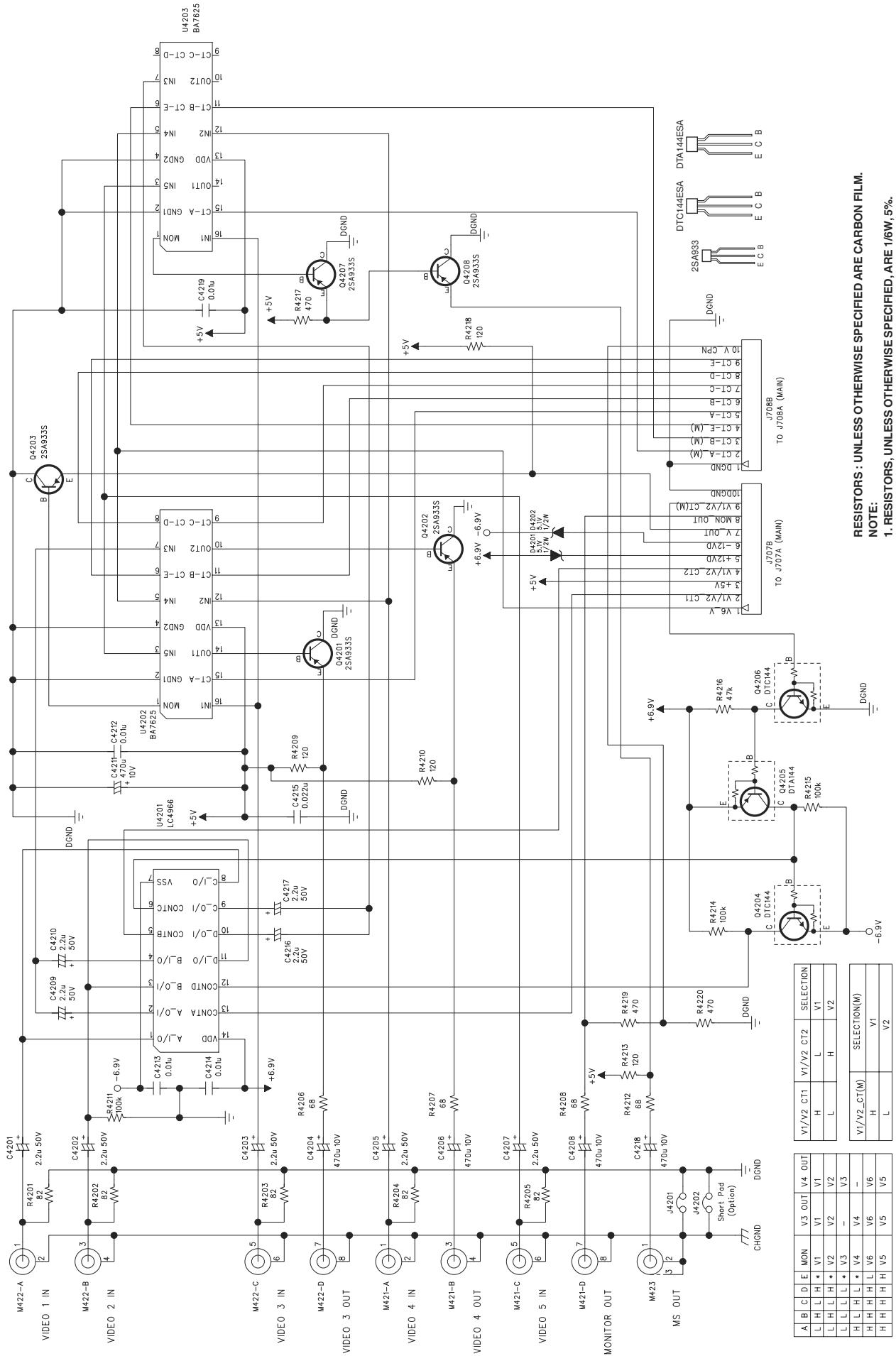


RESISTORS : UNLESS OTHERWISE SPECIFIED ARE CARBON FILM.
NOTE:
 1. RESISTORS, UNLESS OTHERWISE SPECIFIED, ARE 1/6W, 5%.
 2. ALL CERAMIC CAPACITORS, UNLESS OTHERWISE SPECIFIED, ARE 50V, 10%.

COMPONENT VIDEO



COMPOSITE VIDEO



RESISTORS : UNLESS OTHERWISE SPECIFIED ARE CARBON FILM.

NOTE:

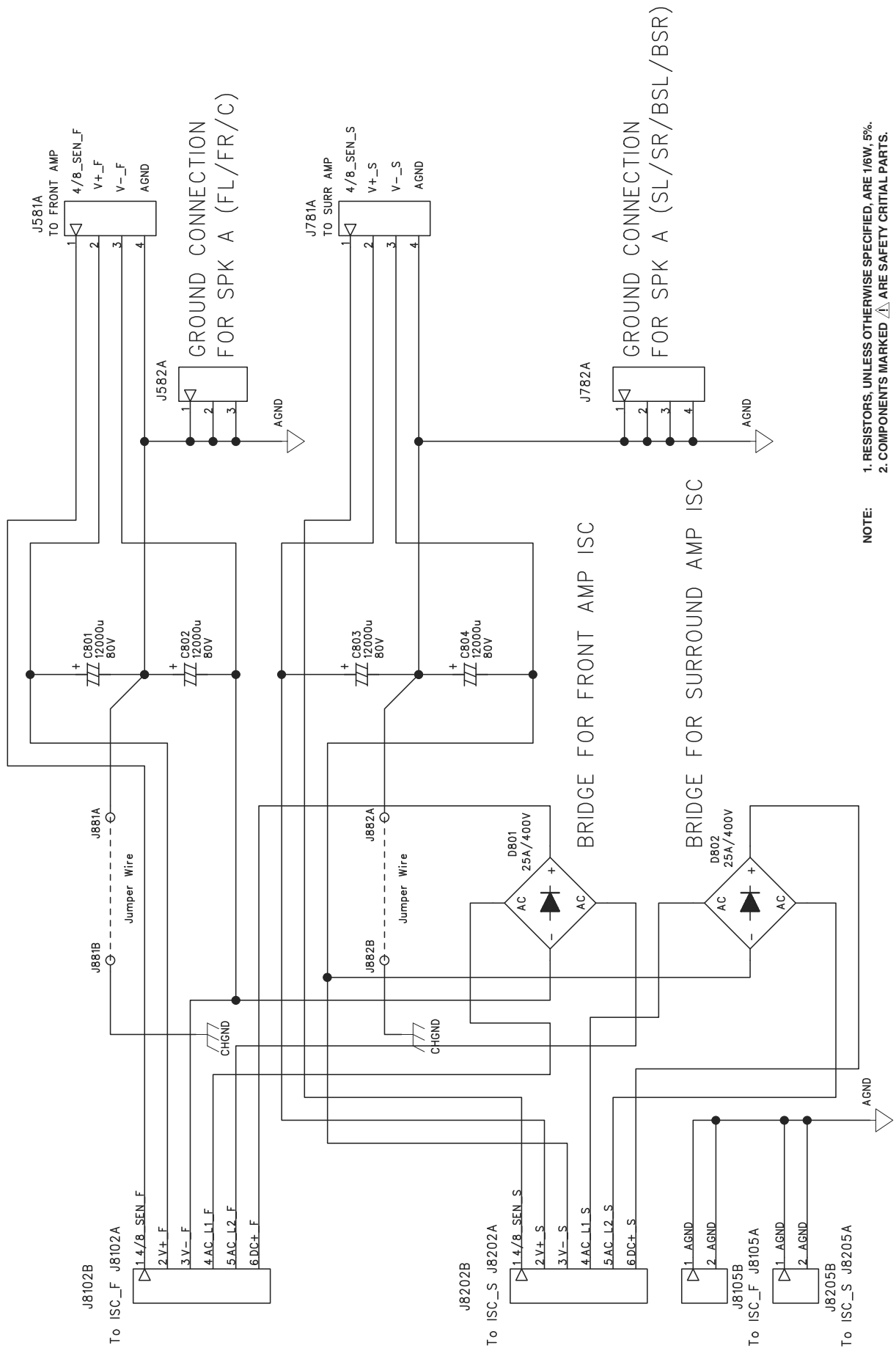
1. RESISTORS, UNLESS OTHERWISE SPECIFIED, ARE 1/6W, 5%.
2. ALL CERAMIC CAPACITORS, UNLESS OTHERWISE SPECIFIED, ARE 50V, 10%.

V1/V2	CT1	SELECTION
H	L	V1
L	H	V2

V1/V2	CT(M)	SELECTION(M)
H	L	V1
L	H	V2

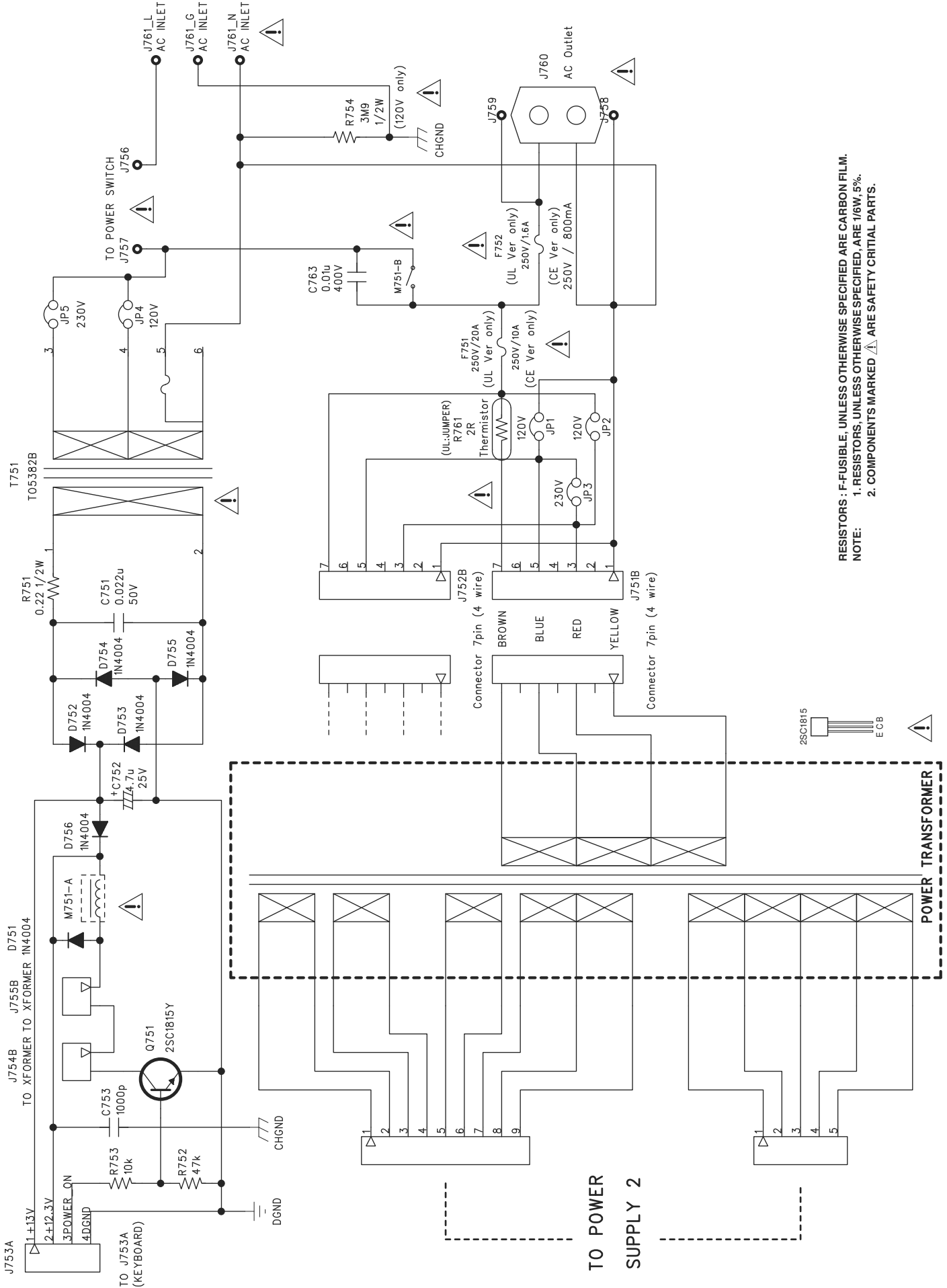
A	B	C	D	E	MON	V3	OUT	V4	OUT
L	H	L	H	*	V1	V1	V1	V1	V1
L	H	L	H	*	V2	V2	V2	V2	V2
L	L	L	L	*	V3	-	V3	-	V3
H	L	L	L	*	V4	-	V4	-	V4
H	H	L	L	*	V6	V6	V6	V6	V6
H	H	H	L	*	V5	V5	V5	V5	V5

POWER SUPPLY (SECONDARY)



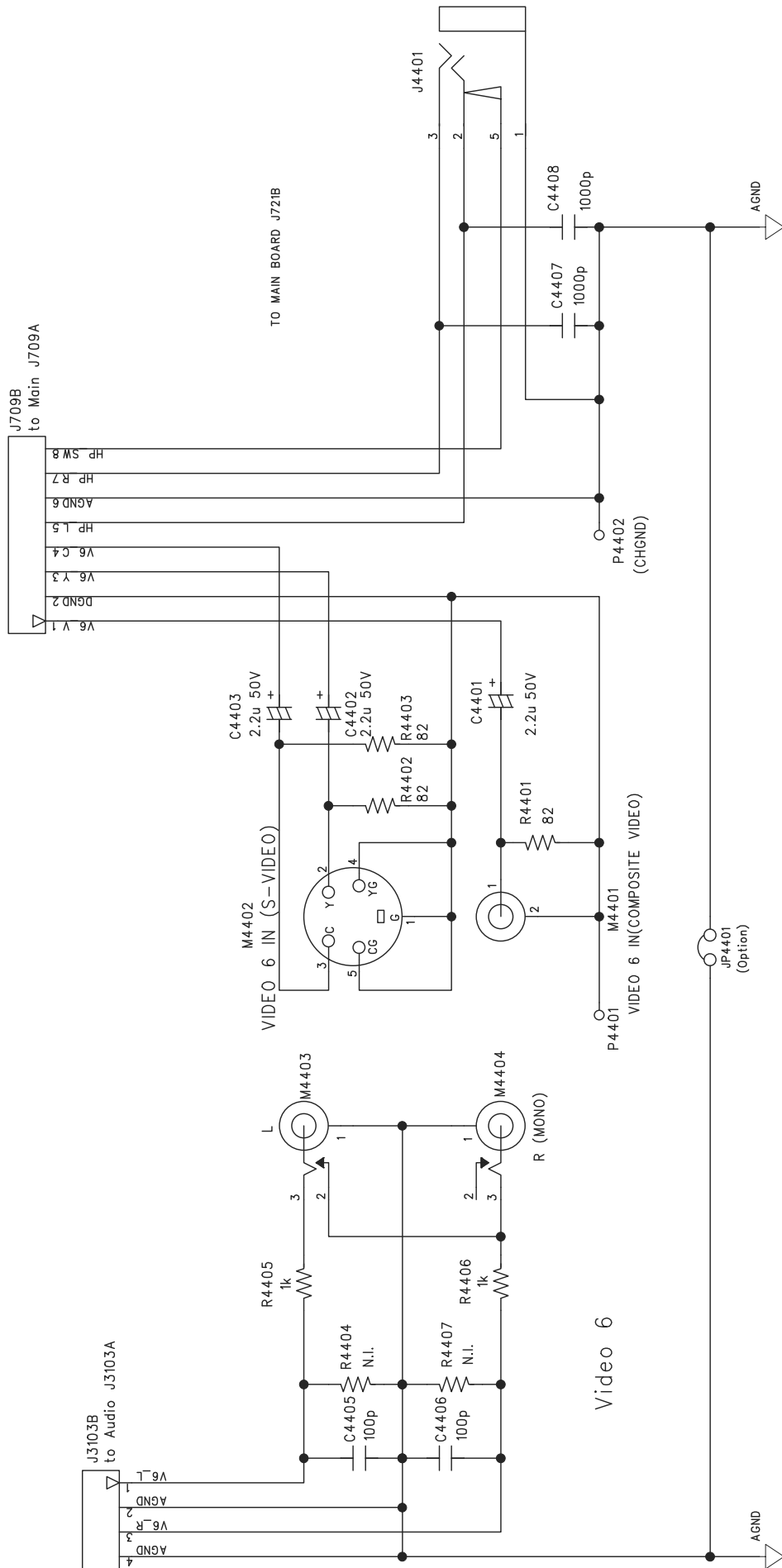
NOTE: 1. RESISTORS, UNLESS OTHERWISE SPECIFIED, ARE 1/6W, 5%.
 2. COMPONENTS MARKED  ARE SAFETY CRITICAL PARTS.

POWER SUPPLY (STAND BY)



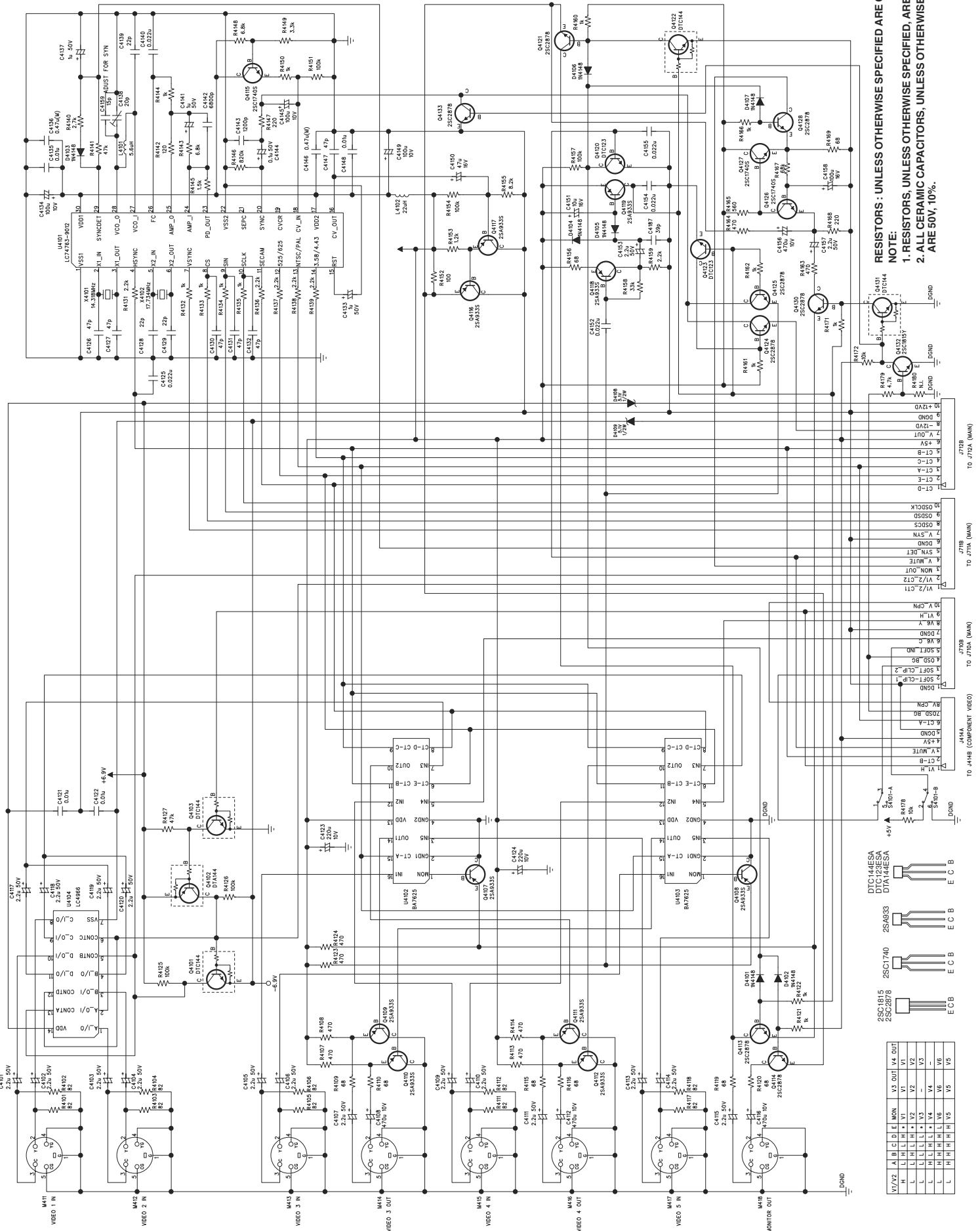
RESISTORS : F-FUSIBLE, UNLESS OTHERWISE SPECIFIED ARE CARBON FILM.
 NOTE: 1. RESISTORS, UNLESS OTHERWISE SPECIFIED, ARE 1/6W, 5%.
 2. COMPONENTS MARKED ⚠ ARE SAFETY CRITICAL PARTS.

VIDEO 6



RESISTORS : UNLESS OTHERWISE SPECIFIED ARE CARBON FILM.
 NOTE:
 1. RESISTORS, UNLESS OTHERWISE SPECIFIED, ARE 1/6W, 5%.
 2. ALL CERAMIC CAPACITORS, UNLESS OTHERWISE SPECIFIED, ARE 50V, 10%.

S-VIDEO

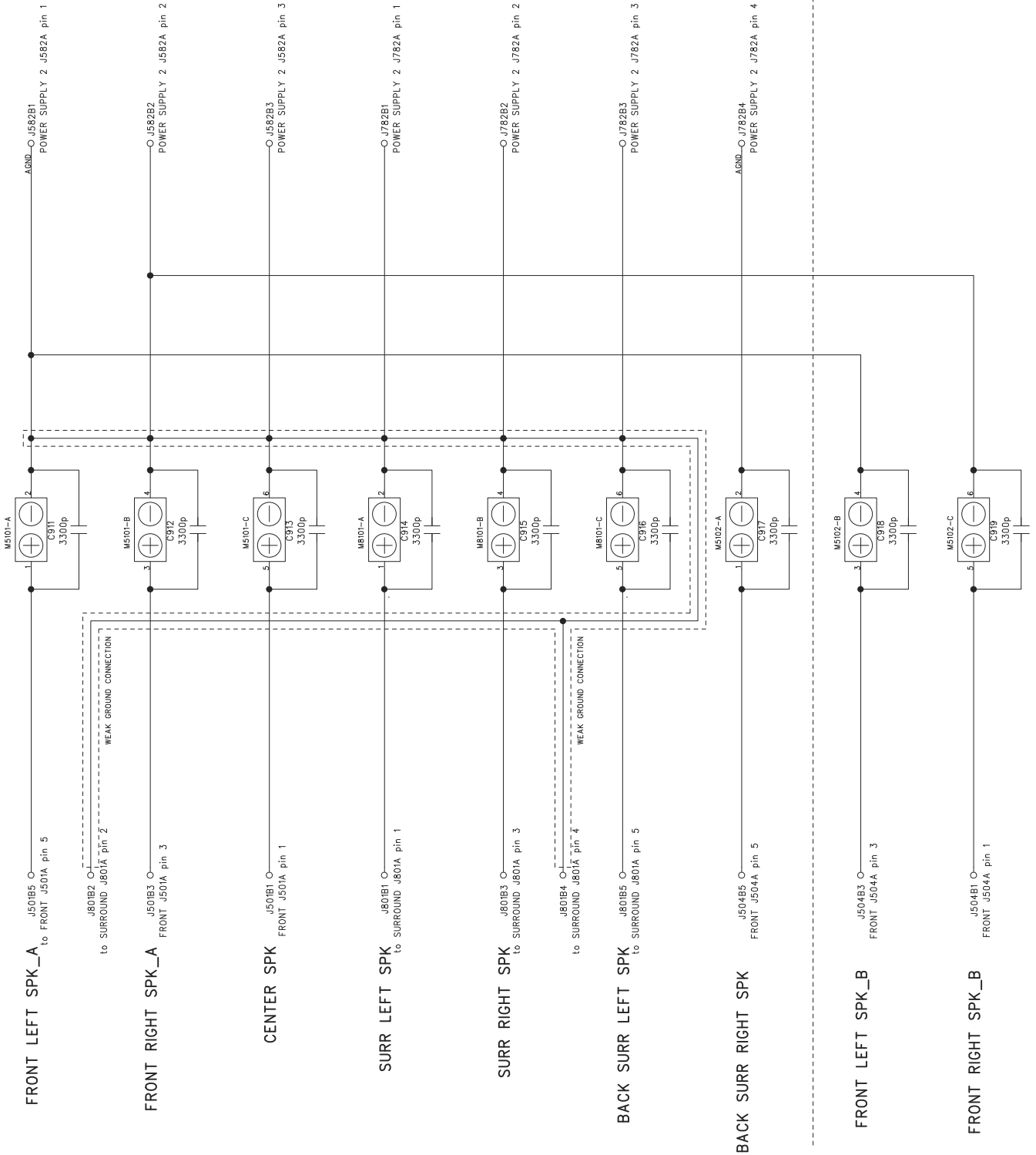


RESISTORS : UNLESS OTHERWISE SPECIFIED ARE CARBON FILM.
 NOTE:
 1. RESISTORS, UNLESS OTHERWISE SPECIFIED, ARE 1/6W, 5%.
 2. ALL CERAMIC CAPACITORS, UNLESS OTHERWISE SPECIFIED, ARE 50V, 10%.

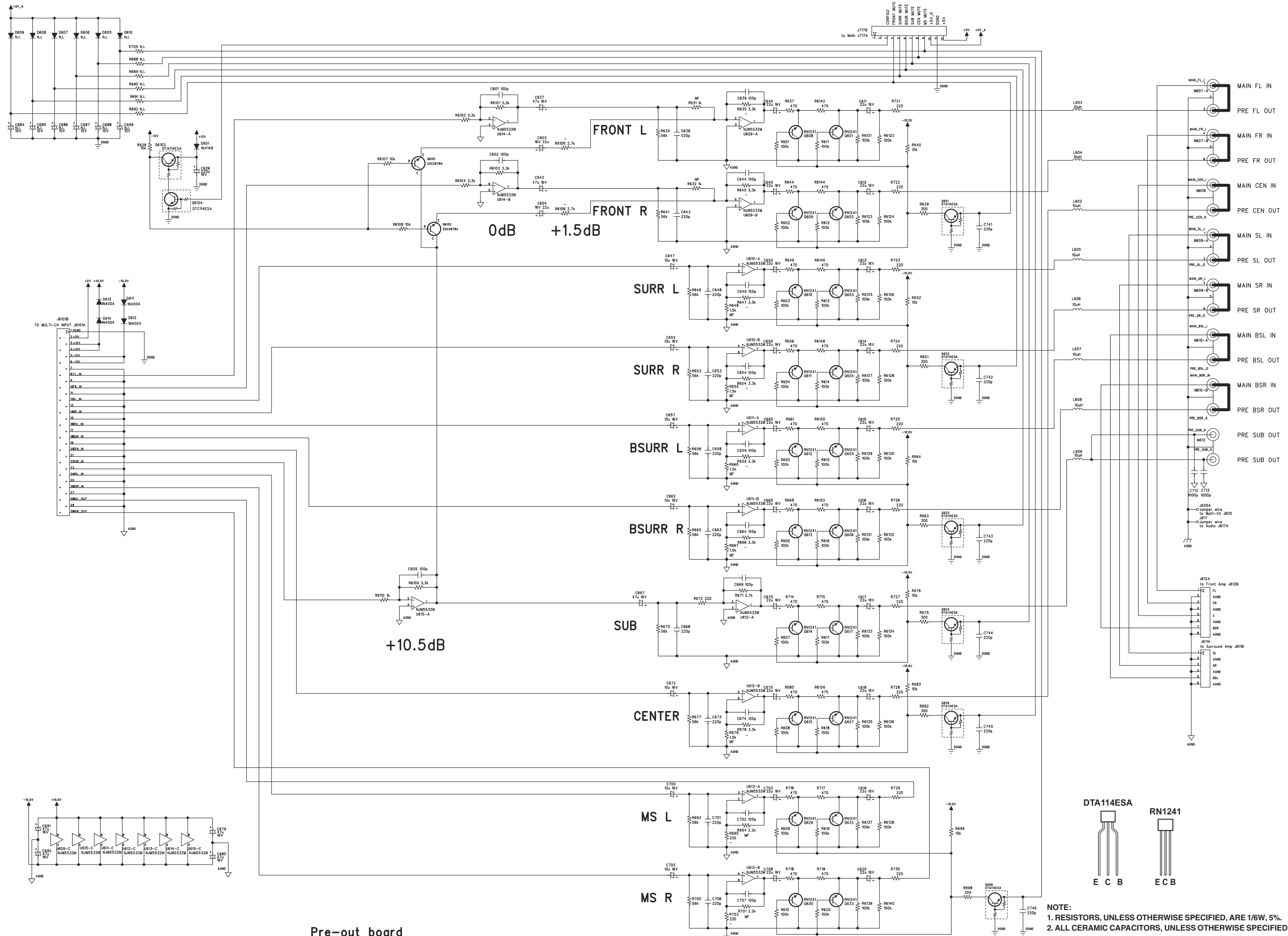
W/2	A	B	C	D	E	MON	V3	OUT	V4	OUT
H	L	H	L	H	L	H	V1	V1	V1	V1
L	L	H	L	H	L	H	V2	V2	V2	V2
L	L	H	L	H	L	H	V3	V3	V3	V3
L	L	H	L	H	L	H	V4	V4	V4	V4
L	L	H	L	H	L	H	V5	V5	V5	V5

SPEAKER A & B

SPEAKER A SPEAKER B

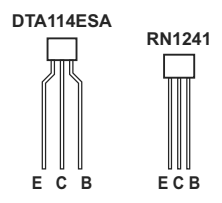


PRE-OUT

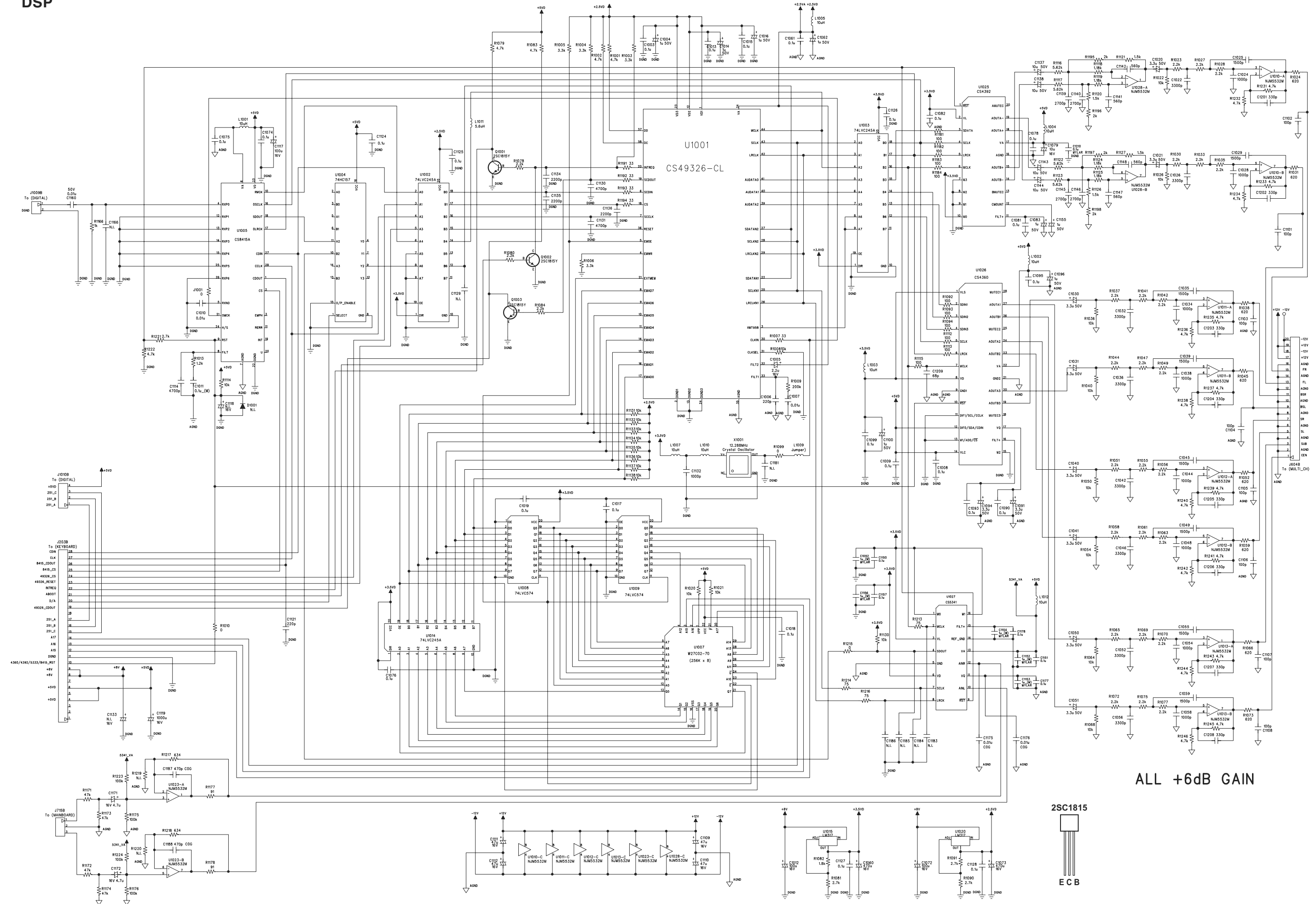


Pre-out board

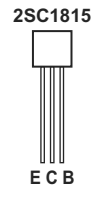
ALL +10dB GAIN EXCEPT SUB (+18.3dB)



NOTE:
1. RESISTORS, UNLESS OTHERWISE SPECIFIED, ARE 1/6W, 5%.
2. ALL CERAMIC CAPACITORS, UNLESS OTHERWISE SPECIFIED, ARE 50V, 10%.

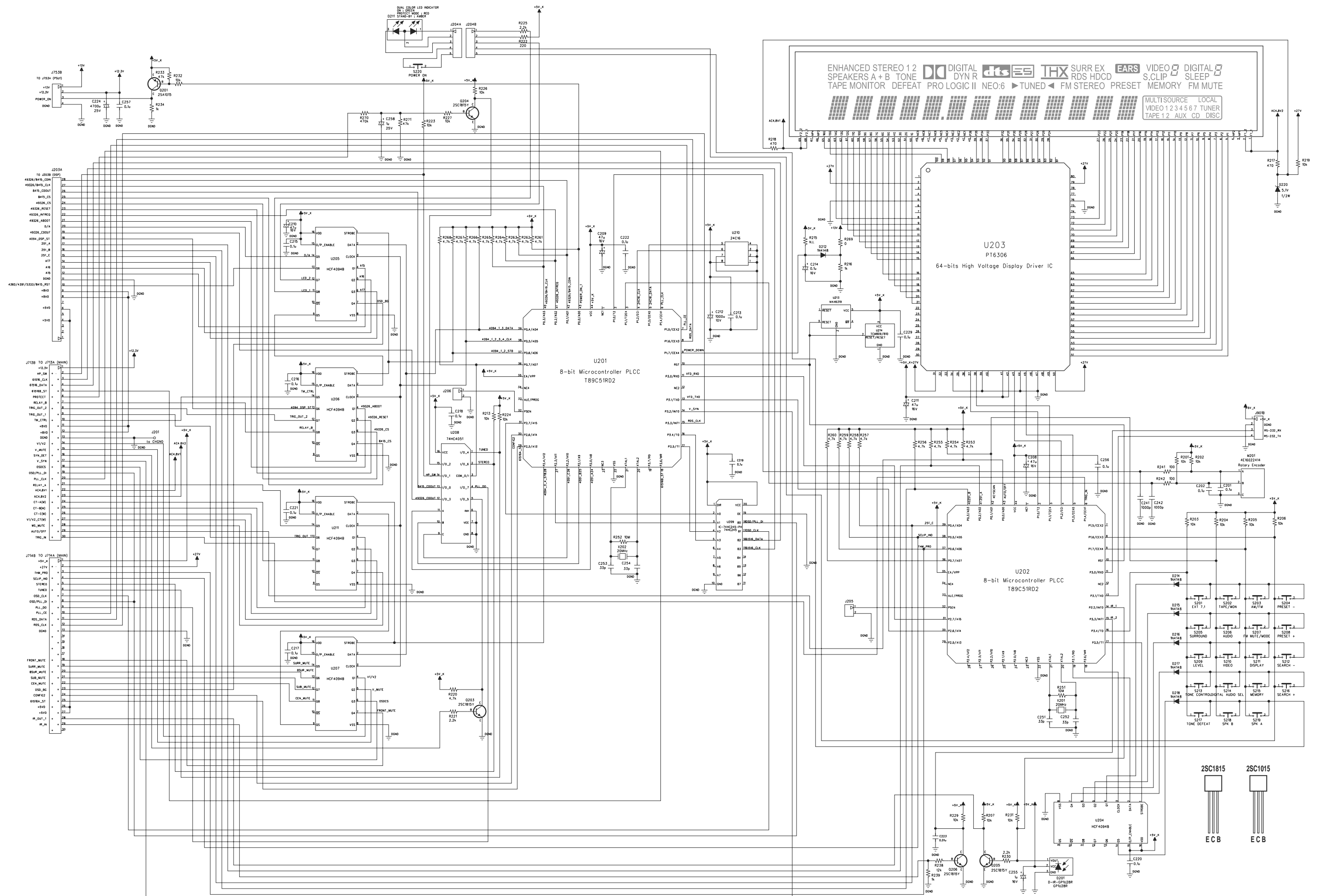


ALL +6dB GAIN



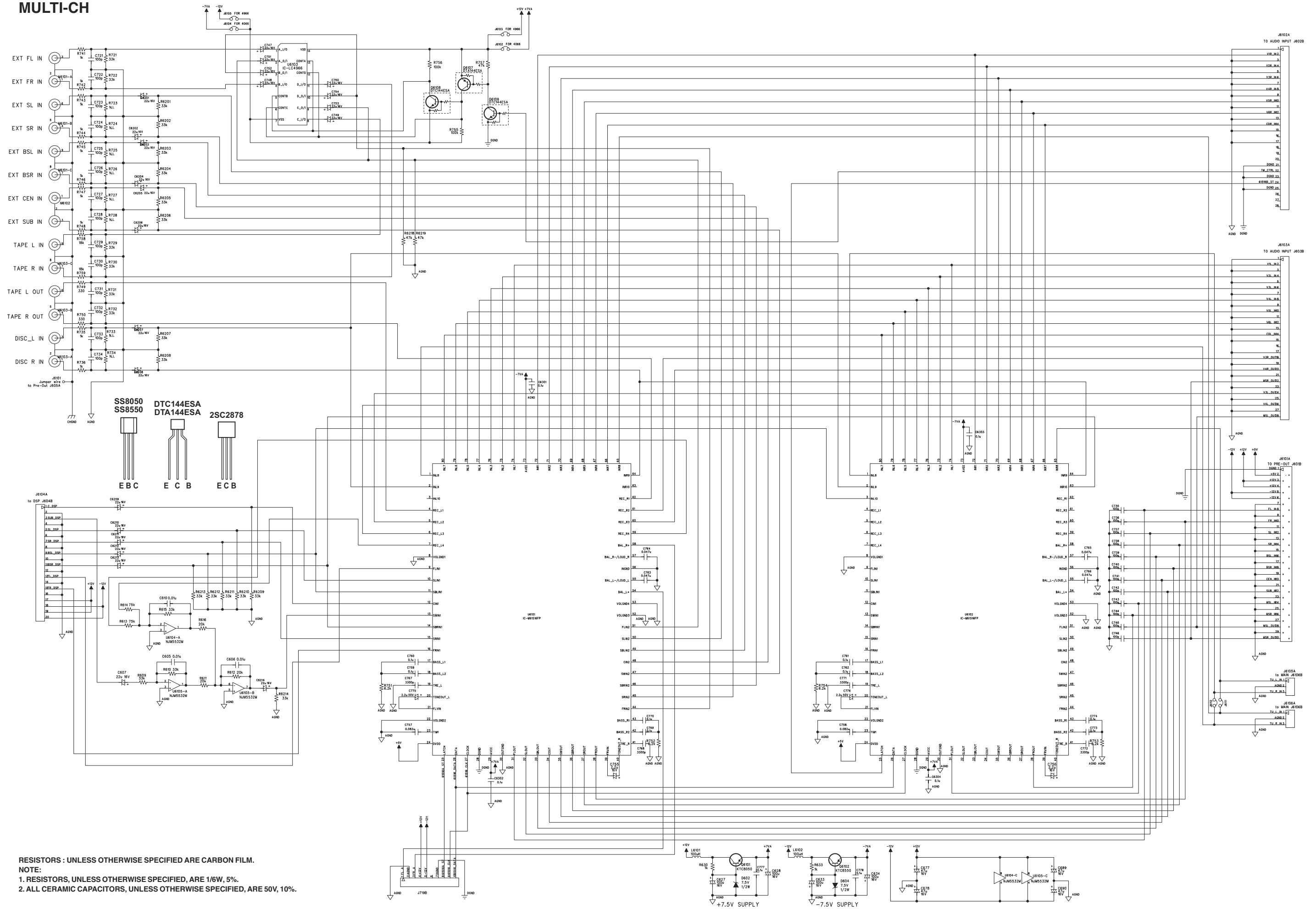
NOTE:
 1. RESISTORS, UNLESS OTHERWISE SPECIFIED, ARE 1/8W, 5%.
 2. ALL CERAMIC CAPACITORS, UNLESS OTHERWISE SPECIFIED, ARE 50V, 10%.

KEYBOARD



NOTE:
 1. RESISTORS, UNLESS OTHERWISE SPECIFIED, ARE 1/6W, 5%.
 2. ALL CERAMIC CAPACITORS, UNLESS OTHERWISE SPECIFIED, ARE 50V, 5%.

MULTI-CH



RESISTORS : UNLESS OTHERWISE SPECIFIED ARE CARBON FILM.
 NOTE:
 1. RESISTORS, UNLESS OTHERWISE SPECIFIED, ARE 1/6W, 5%.
 2. ALL CERAMIC CAPACITORS, UNLESS OTHERWISE SPECIFIED, ARE 50V, 10%.

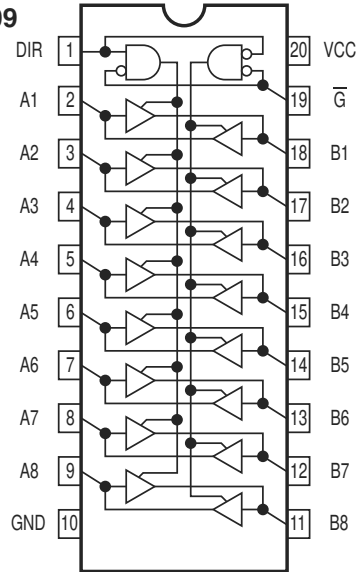
IC BLOCK DIAGRAM

74LVC245

DSP BOARD: U1002, U1003, U1014

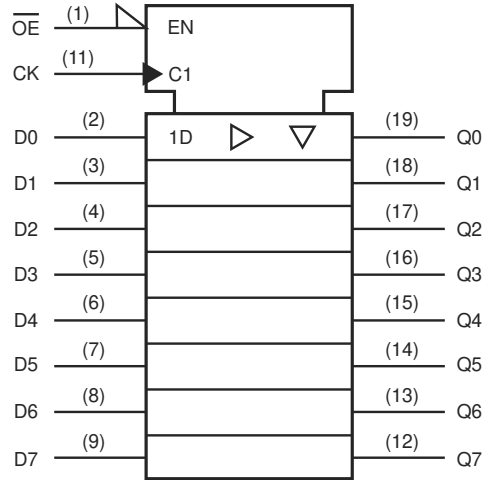
74VHC245

KEYBOARD: U209



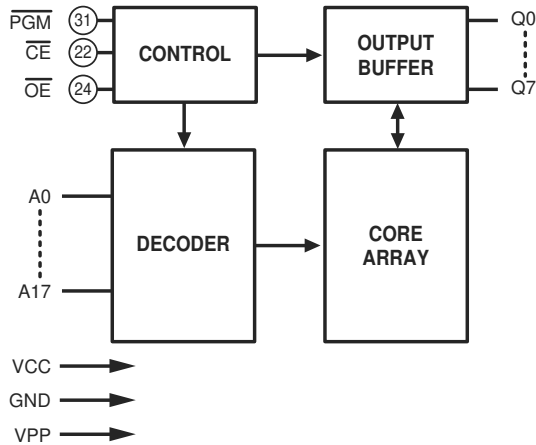
74LVQ574

DSP BOARD: U1008, U1009



W27C020

DSP BOARD: U1007



NJM5532

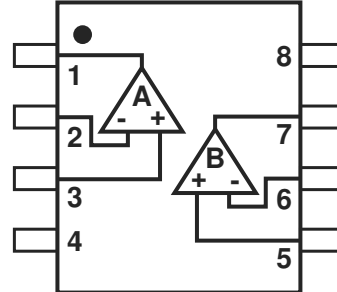
DSP BOARD: U1010~U1013, U1023 & U1028

MULTI-CHANNEL: U6104~U6107

PRE-OUT BOARD: U609~U613

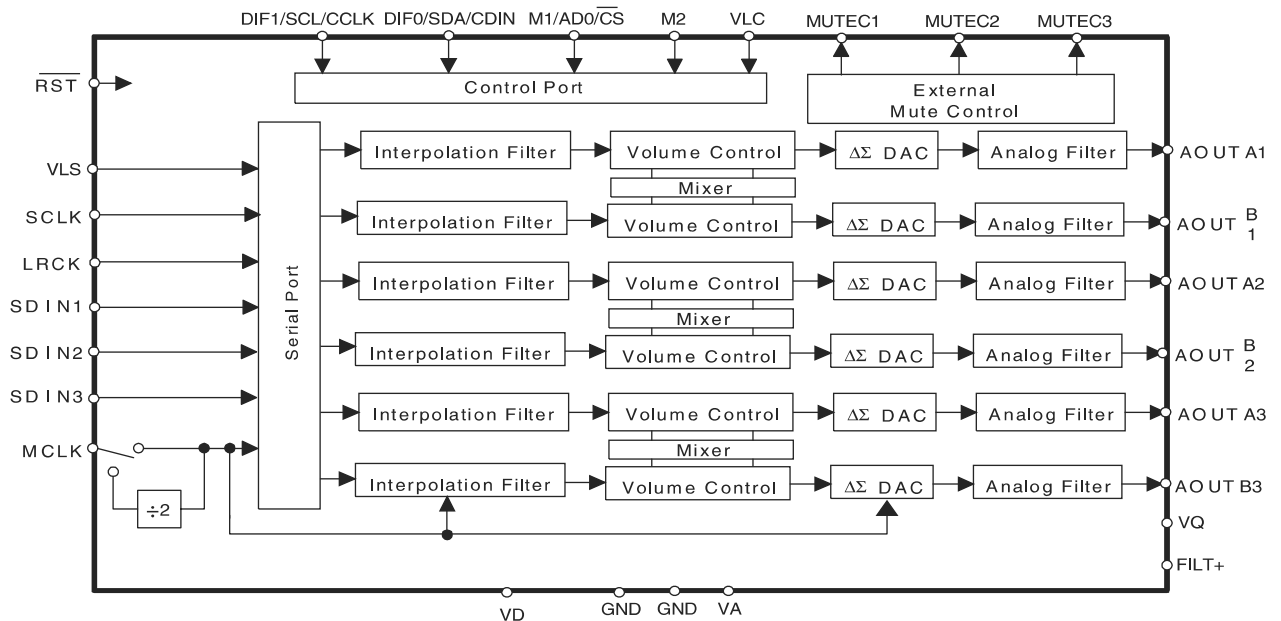
ISC FRONT BOARD: U8101

ISC SURROUND BOARD: U8102

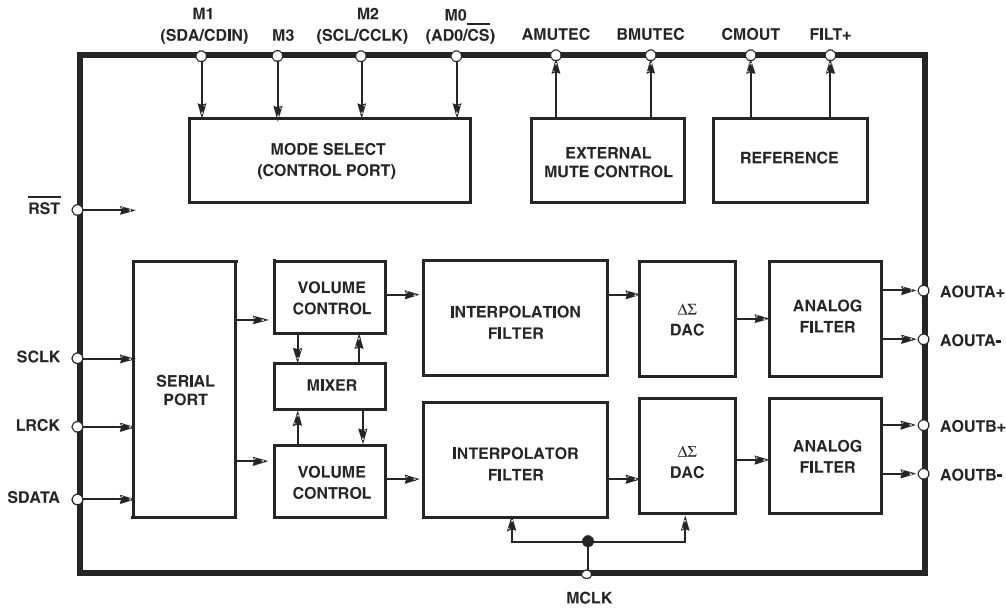


CS4360KZ

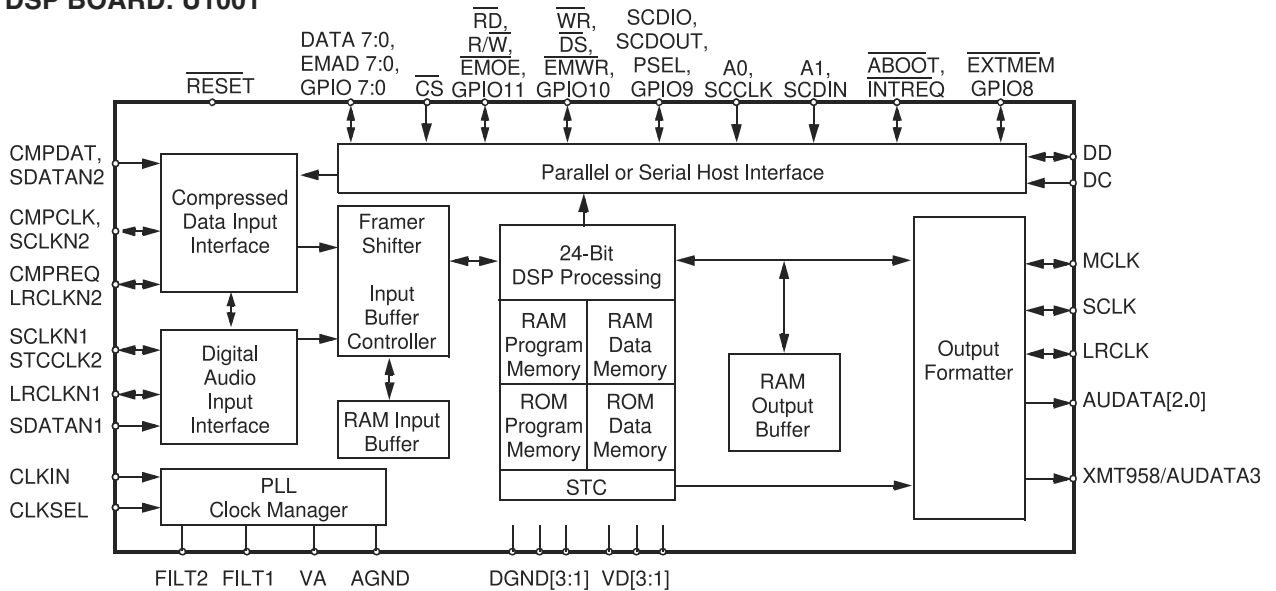
DSP BOARD: U1026



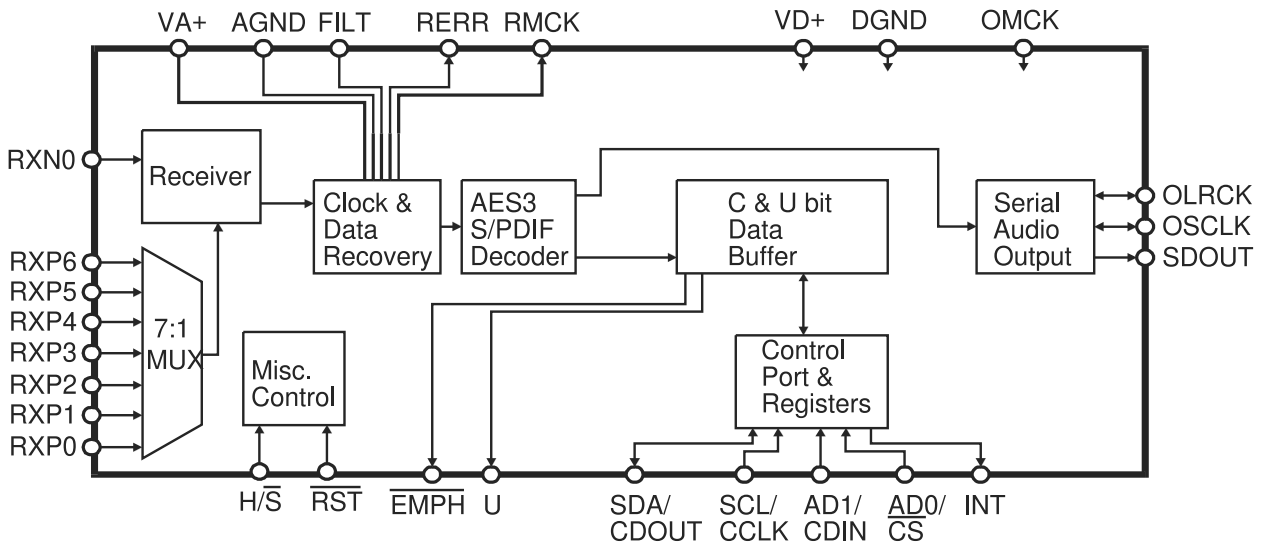
CS4392
DSP BOARD: U1025



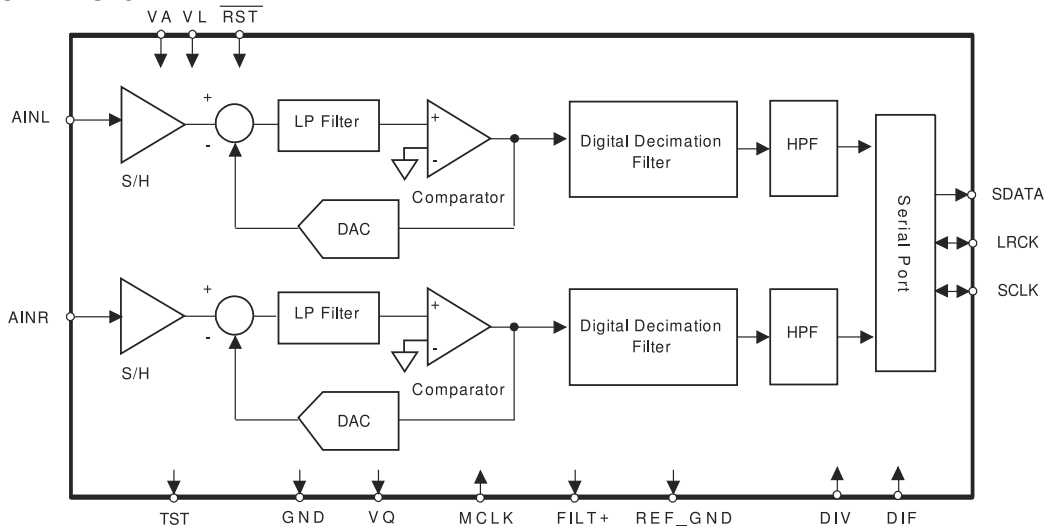
CS49326
DSP BOARD: U1001



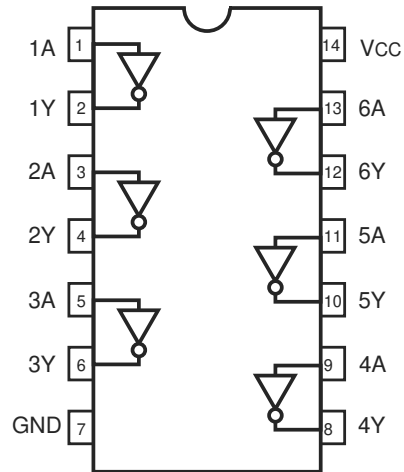
CS8415A
DSP BOARD: U1005



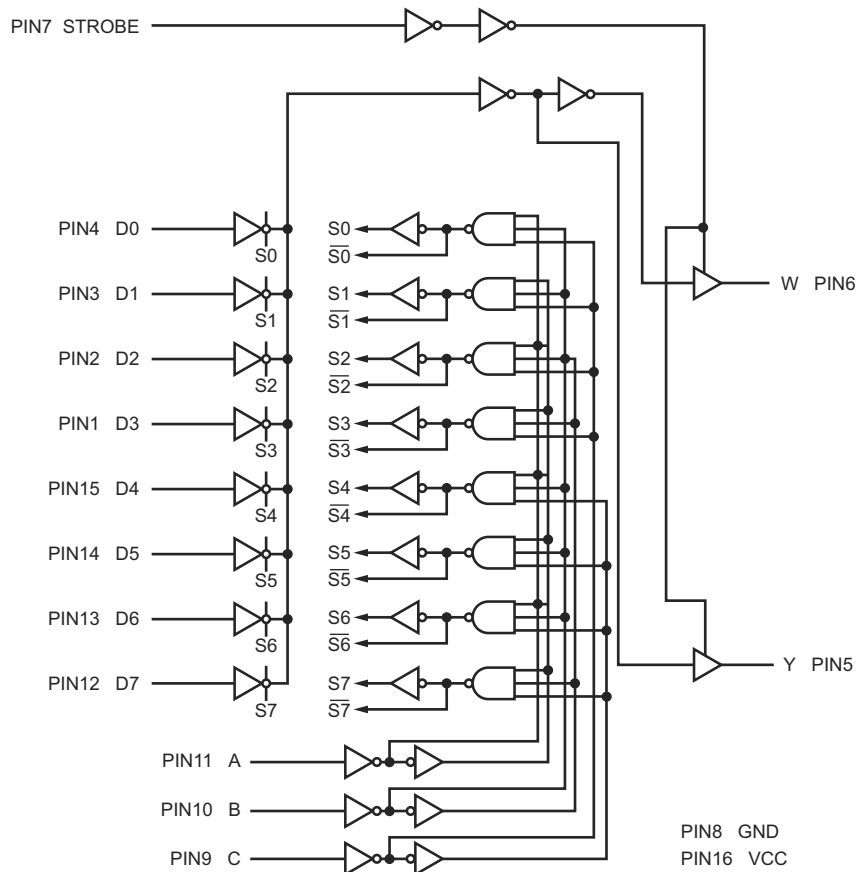
CS5333KZ
DSP BOARD: U1027



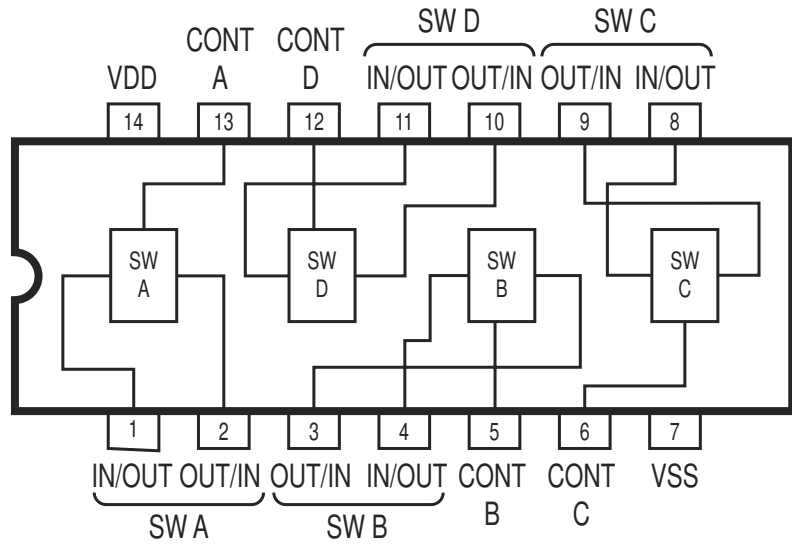
74HCU04
DIGITAL BOARD: U1201 & U1202



74HC251
DIGITAL BOARD: U1203



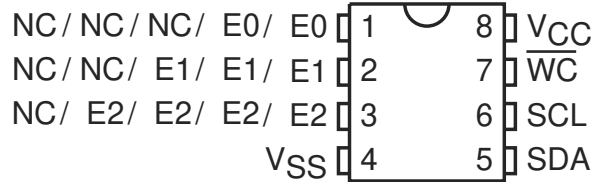
LC4966
COMPOSITE VIDEO: U4201
S-VIDEO BOARD: U4104
MULTI-CHANNEL: U6103



AT24C16
KEYBOARD: U210

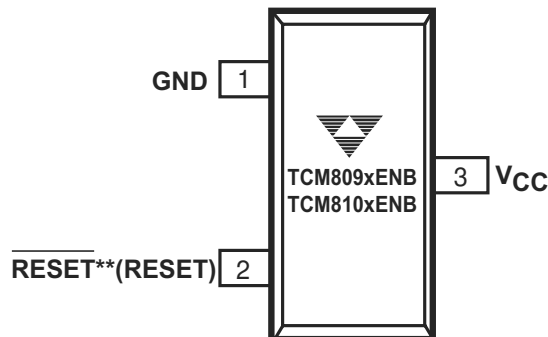
M24Cxx

16Kb/8Kb/4Kb/2Kb/1Kb



TCM810
KEYBOARD: U214

***3-Pin SOT-23B**

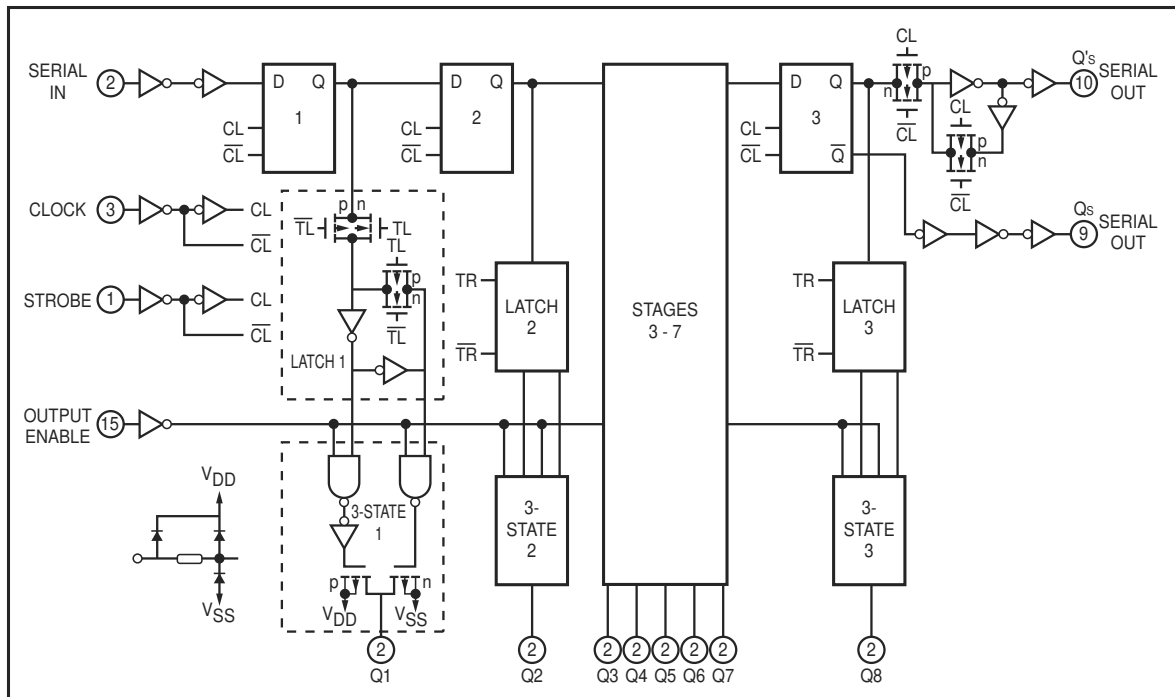


NOTE: *3-Pin SOT-23B is equivalent to JEDEC TO-236
 ** () is for TCM810

HCF4094B

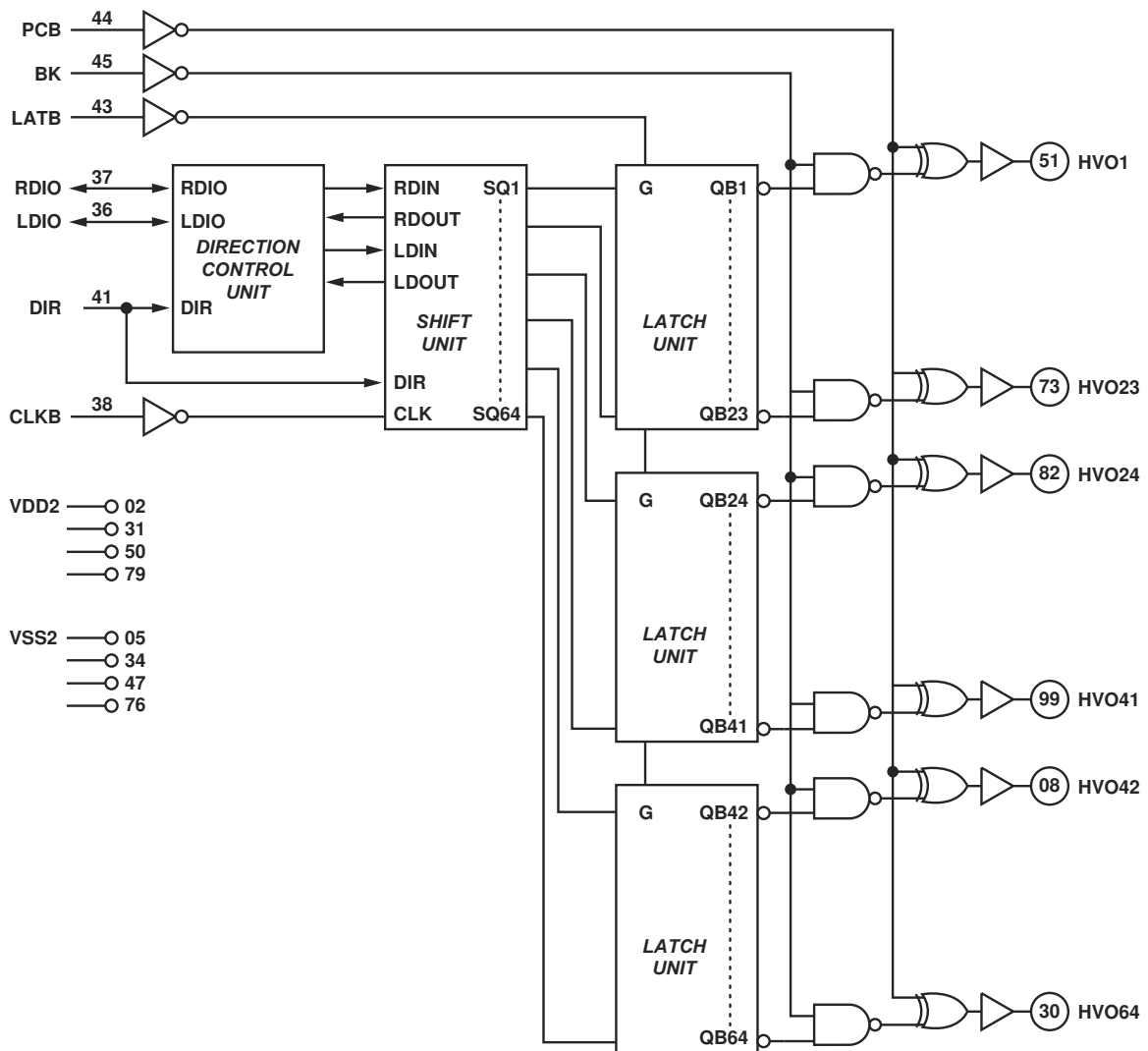
KEYBOARD: U204~U207 & U211

DSP BOARD: U1029

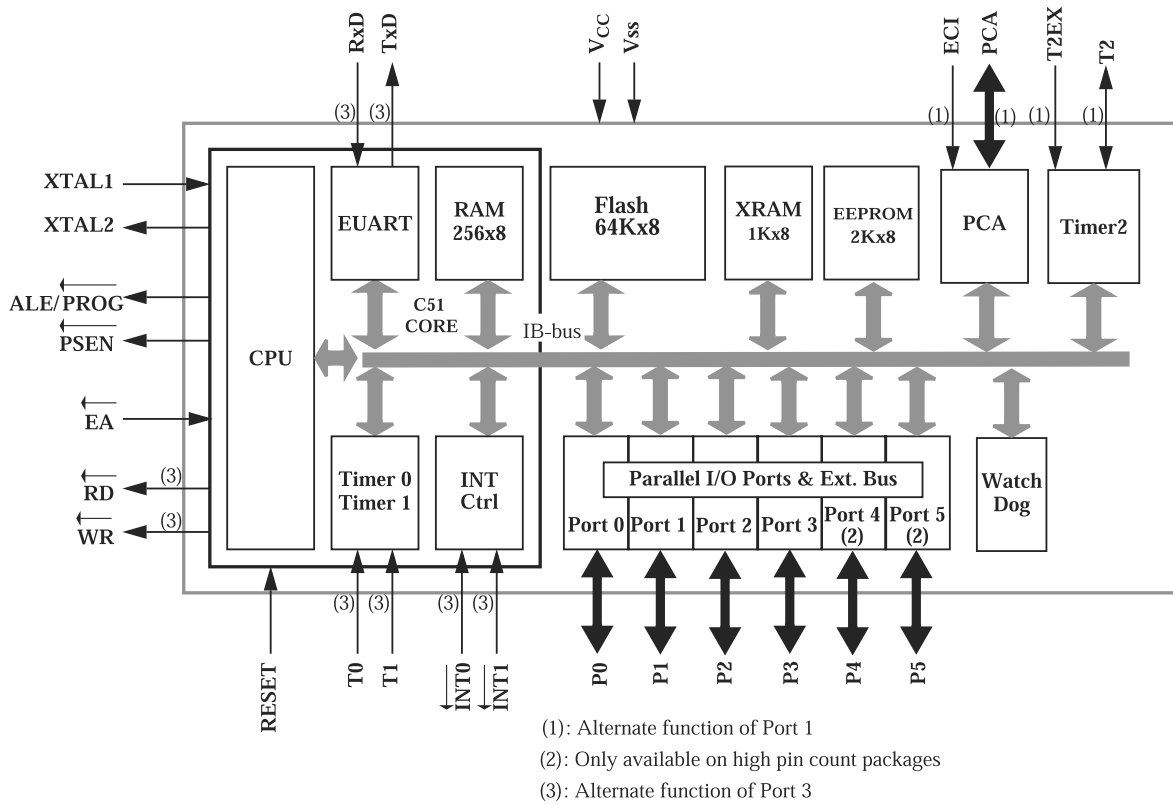


PT6306

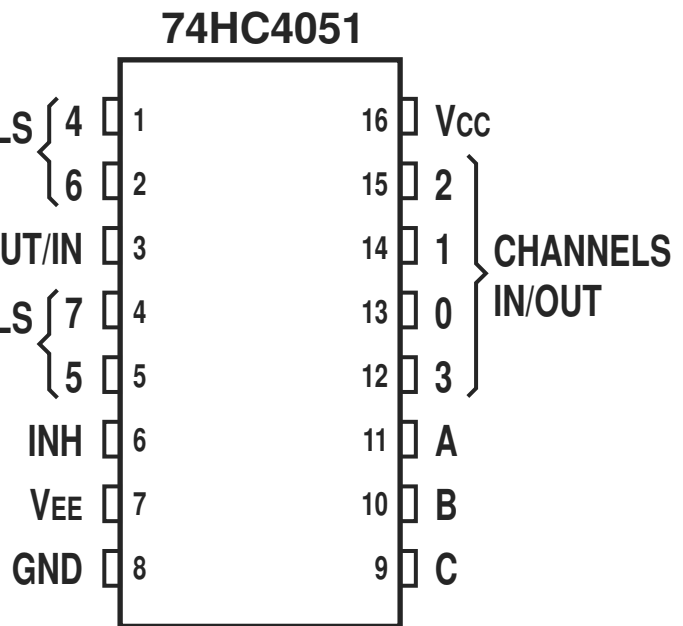
KEYBOARD: U203



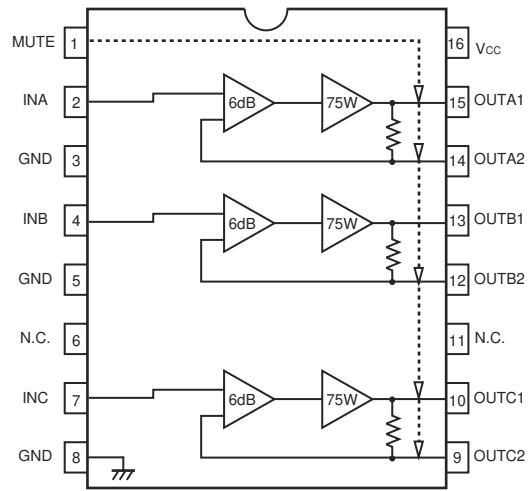
T89C51RD2
KEYBOARD: U201 & U202



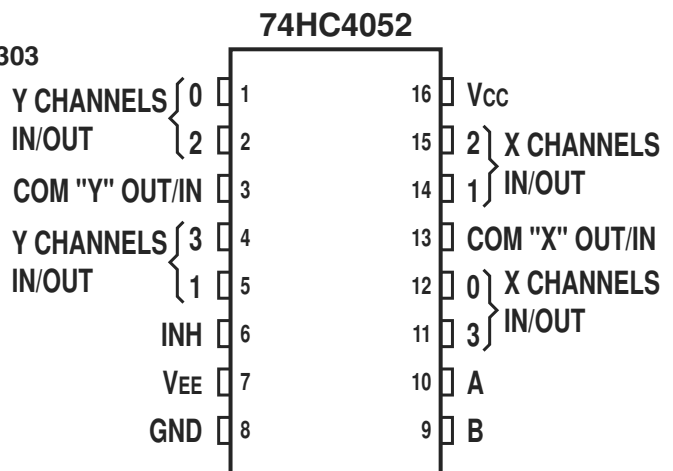
74HC4051
KEYBOARD: U208



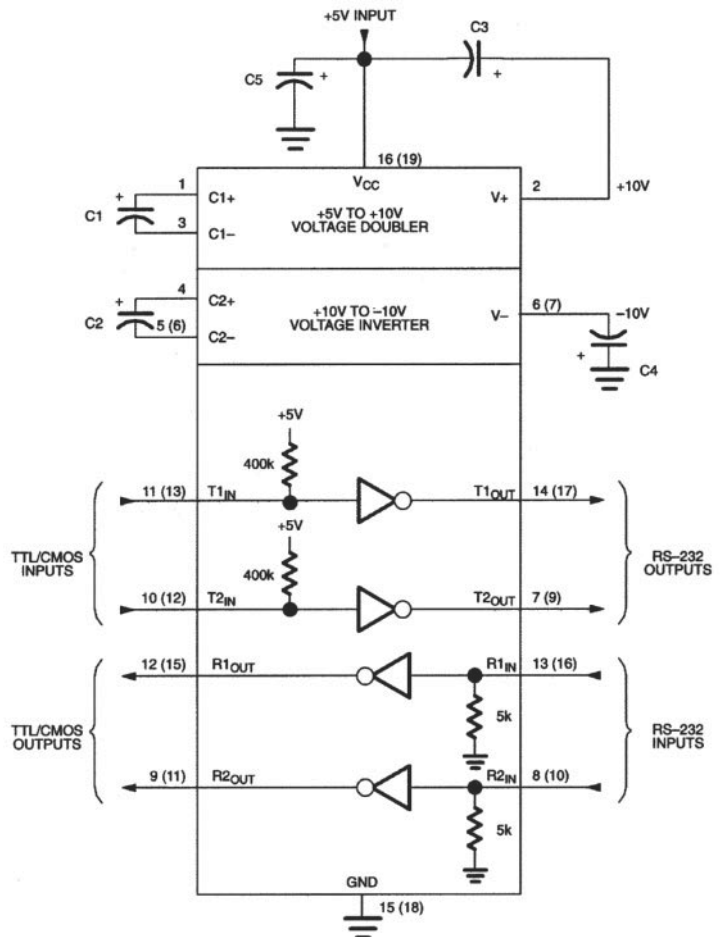
BA7660FS
COMPONENT VIDEO BOARD: U4301



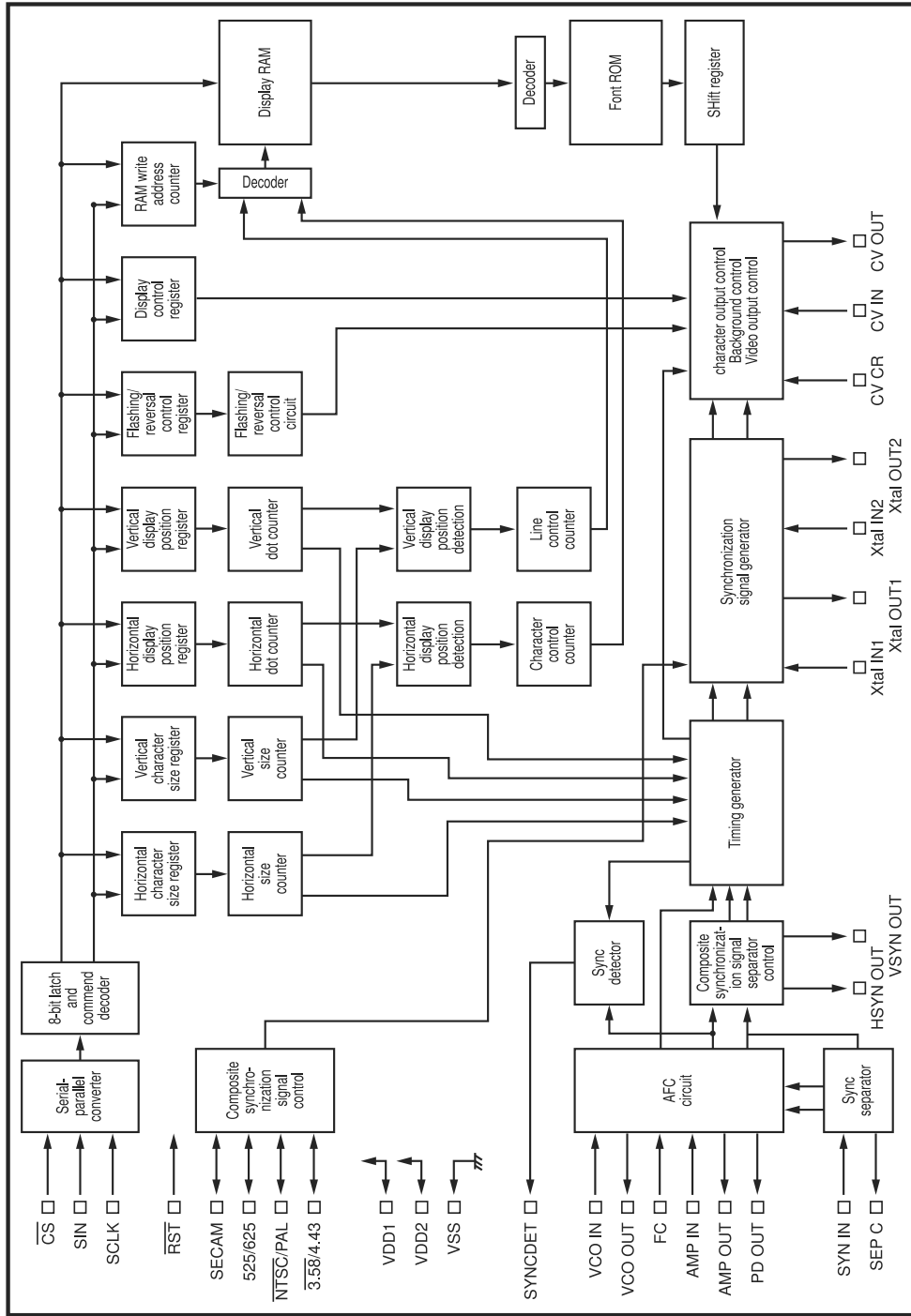
74HC4052
COMPONENT VIDEO BOARD: U4302 & U4303



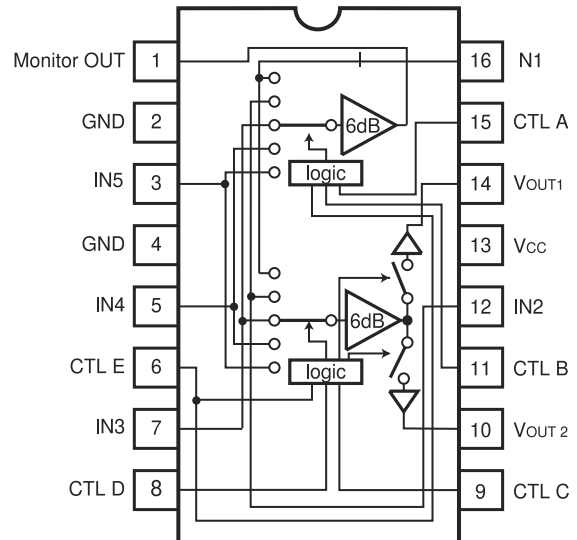
DS232A
DIGITAL BOARD: U901



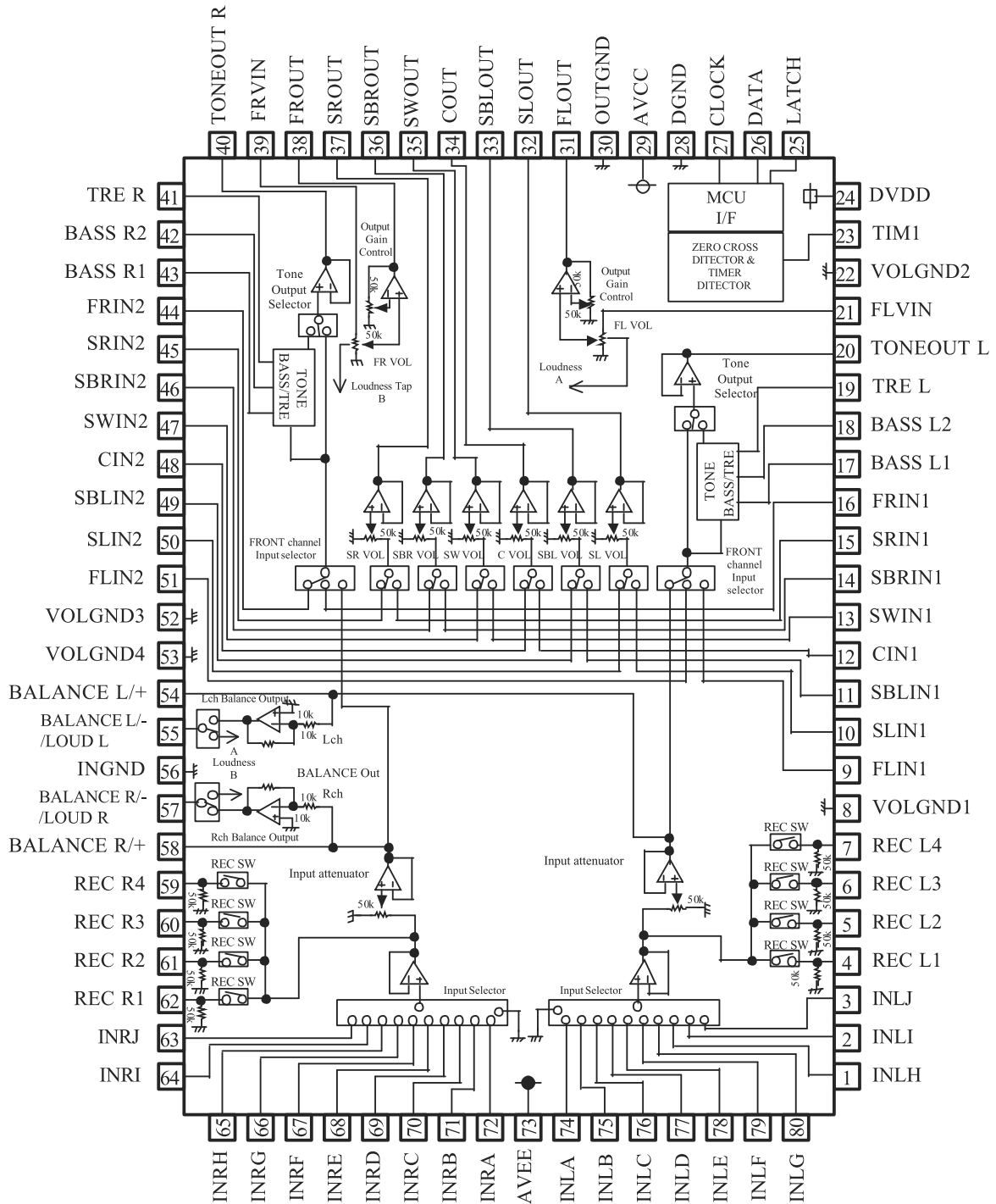
LC74763
S-VIDEO BOARD:
U4101



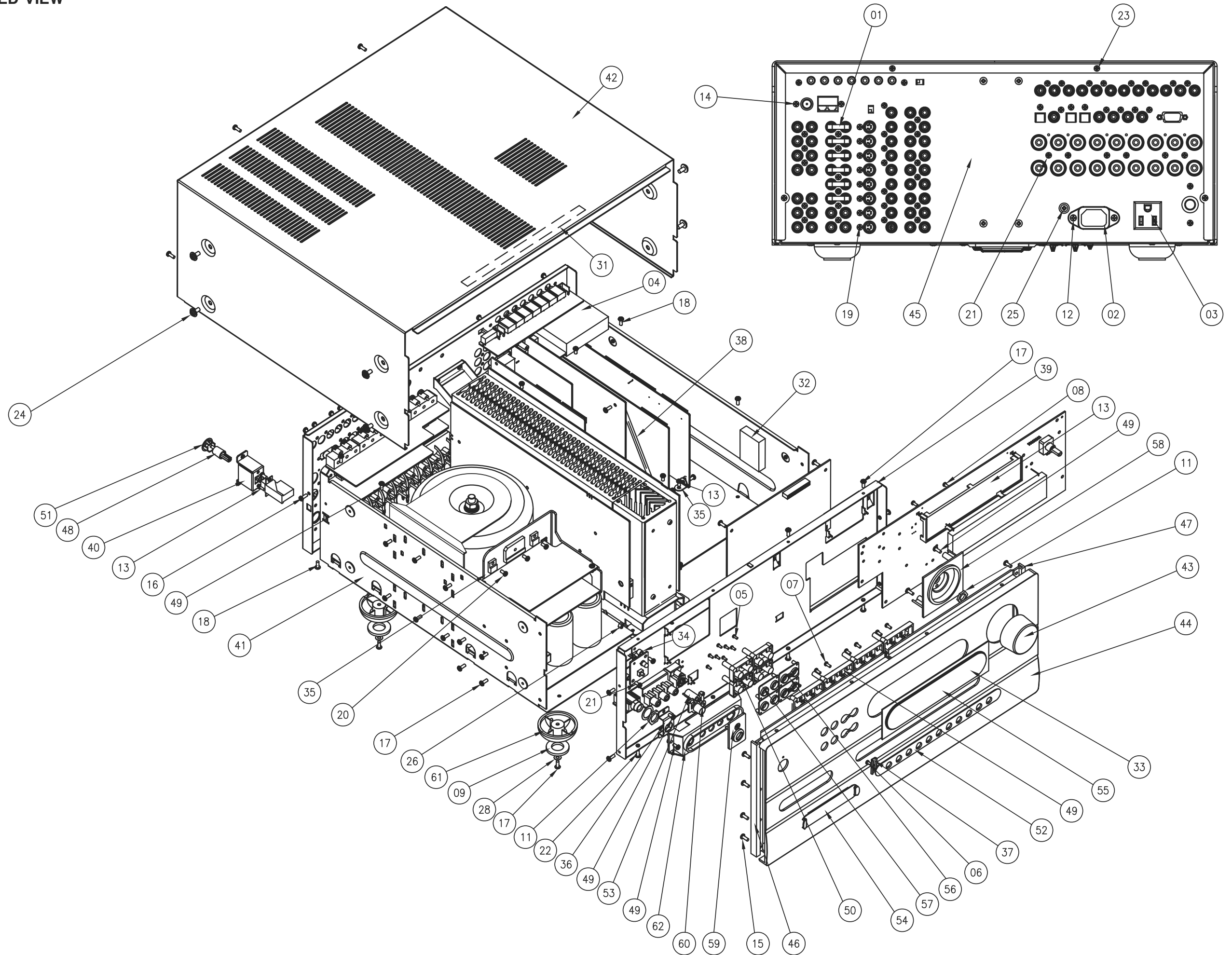
BA7625
COMPOSITE VIDEO BOARD: U4202 & U4203
S-VIDEO BOARD: U4102 & U4103



M61516FP
MULTI-CHANNEL BOARD: U6101 & U6102



EXPLODED VIEW



EXPLODED VIEW PARTS LIST

Item	SCM.	Part No.	Description	Qty.
1	275-006103-00(7)	34-0061030-00-67	JUMPER PLUG PITCH 14mm	7
2	275-010100-00(2)	34-0101000-00-63	AC SOCKET IEC 10A/250V	1
3*AH	275-010100-05(7)	34-0101003-00-63	AC OUTLET 3 PINS US POLARIZED SS-6B-1-NY	1
3*C	275-010000-03(8)	34-0100002-00-78	AC OUTLET EURO CEE 7 2.5A/250V	1
4*AH	560-400000-02(7)	29-4000004-00-38	AM/FM TUNER MODULE KST-MB114MA0-23	1
4*C	560-400000-00(5)	29-4000002-00-38	AM/FM TUNER MODULE KST-MB114MA1-23	1
5	601-020050-02(8)	13-0200502-22-00	SELF TAPPING SCREW 2X5 WASHER HEAD TYPE B NI PLT	8
6	601-026050-00(9)	13-0260500-02-00	SELF TAPPING SCREW 2.6 X 5 P/H TYPE A NI PLT	1
7	601-026060-00(7)	13-0260600-02-00	SELF TAPPING SCREW 2.6 X 6 P/H TYPE A NI PLT	8
8	601-026080-01(4)	13-0260803-02-00	SELF TAPPING SCREW 2.6 X 8 B/H TYPE A NI PLT	16
9	608-140260-01(6)	17-1402603-30-22	RUBBER FOOT I/D14 X O/D26 X 3 PORON HH-48C	4
10	610-040032-00(6)	15-0400320-07-20	NUT M4 X 3.2mm 0.7p	2
11	610-090022-00(1)	15-0900220-11-30	NUT ZINC PLATED M9.0 X 2.2mm 11p	1
12	614-030008-01(2)	14-0300084-54-00	TAPTITE SCREW 3 X 8 SMALL K/H TYPE B BLK PLT	2
13	614-030060-00(6)	14-0300600-02-00	MACHINE SCREW M3 X 6 P/H NI PLT	16
14	614-030060-01(7)	14-0300600-04-00	MACHINE SCREW M3 X 6 P/H BLK	4
15	614-030060-03(9)	14-0300600-52-00	MACHINE SCREW M3.0 X 6.0 B/H TAP TYPE NICKEL PLT	34
16	614-030060-11(7)	14-0300603-54-00	TAPTITE SCREW 3 X 6 B/H TYPE B BLK	4
17	614-030080-05(7)	14-0300800-53-00	SELF TAPPING SCREW 3 X 8 B/B ZINC PLATED TAPTITE-TYPE	4
18	614-030080-12(4)	14-0300803-44-00	TAPTITE SCREW 3 X 8 B/H TYPE S BLK PLT	4
19	614-030080-13(5)	14-0300803-54-00	TAPTITE SCREW 3 X 8 B/H TYPE B BLK PLT	42
20	614-030100-00(6)	14-0301000-02-00	MACHINE SCREW M3 X 10 PAN HEAD NI PLT	6
21	614-030100-04(1)	14-0301000-54-00	TAPTITE SCREW 3 X 10 P/H TYPE B BLK	8
22	614-035080-04(4)	14-0350803-52-00	TAPTITE SCREW 3.5 X 8.0 B/H TYPE B NI PLT	5
23	614-035080-05(5)	14-0350803-54-00	TAPTITE SCREW 3.5 X 8 B/H TYPE B BLK PLT	4
24	614-040080-03(9)	14-0400802-04-00	MACHINE SCREW M4 X 8 WASHER HEAD BLK	8
25	614-040140-01(3)	14-0401402-04-00	MACHINE SCREW M4 X 14 WAHER HEAD BLK	1
26	616-050096-00(6)	17-0500960-00-01	PCB SUPPORTER H=9.6mm PCB HOLE 4mm	3
27	616-118080-00(5)	17-1180800-00-01	PCB PLASTIC SPACER H=8.0mm PCB HOLE 4mm MBS-8	1
28	617-035008-01(6)	16-0350080-04-35	WASHER STEEL I/D 3.5 X O/D 8.0 0.4mm THK. ZINC PLT.	24
29	617-040007-00(3)	16-0400074-10-31	WASHER SPRING I/D 4 x O/D 7 x 1 THK	2
30	617-042082-00(2)	16-0420820-04-21	OUTER TOOTH WASHER ID 4.2 X OD 8.2 X 0.4 THK NICKEL PLT	1
31	622-009240-00(7)	17-0092401-15-20	FOAM 9 X 240 X 1.5mm BLACK UL GRADE	1
32	622-030025-00(6)	17-0300251-06-00	FOAM 30x25x6mm	1
33	622-075300-00(2)	12-0753009-70-00	STATIC COVER SHEET	1
34	659-016303-00(6)	11-0163035-80-00	METAL SPACER OD6 X ID3.2 X 4.5mm	2
35	659-057007-01(6)	11-0570075-80-01	L BRACKET	2
36	659-075206-00(7)	11-0752065-80-00	PHONE BRACKET	1
37	659-075207-00(6)	11-0752075-80-00	DUMMY BRACKET	1
38	659-076207-00(2)	11-0762075-80-00	S-VIDEO SUPPORT BRACKET T762	1
39	659-077202-00(3)	11-0772025-80-00	SUBFASCIA	1
40	659-077309-00(2)	11-0773095-80-00	POWER BUTTON BRACKET H=24.8mm	1
41	660-077200-03(9)	11-0772004-80-07	BOTTOM CABINET	1
42	661-077200-03(2)	11-0772003-85-13	TOP COVER	1
43	664-075200-00(4)	11-0752002-72-00	VOLUME KNOB ASSY	1
44	665-077300-01(5)	11-0773000-95-11	FASCIA	1
45*AH	666-077300-04(1)	11-0773006-94-14	REAR PANEL (AH)	1
45*C	666-077301-03(8)	11-0773016-94-13	REAR PANEL (C)	1

<u>Item</u>	<u>SCM.</u>	<u>Part No.</u>	<u>Description</u>	<u>Qty.</u>
46	667-077202-00(9)	11-0772028-95-00	SIDE CAP L	1
47	667-077203-00(8)	11-0772038-95-00	SIDE CAP R	1
48	684-075202-01(5)	10-0752022-02-00	POWER BUTTON BLACK	1
49	684-075203-11(4)	/	INPUT BUTTON	4
50	684-075204-02(4)	10-0752042-72-01	DUO BUTTON	4
51	684-075204-05(7)	10-0752045-01-00	POWER BUTTON BEZEL	1
52	684-076203-02(1)	10-0762035-72-01	INPUT BUTTON LOZENGE	1
53	684-077202-02(7)	10-0772022-72-01	POWER BUTTON TACT ACTIVATE	1
54	688-075200-01(6)	10-0752007-72-00	VIDEO COVER	1
55	691-075200-00(1)	10-0752001-00-10	WINDOW LENS	1
56	694-016304-01(9)	10-0163045-72-00	LINKED GOGGLE BEZEL	2
57	694-016305-02(9)	10-0163055-72-01	DUO GOGGLE BEZEL	2
58	694-075200-01(8)	10-0752005-72-00	VOLUME BEZEL	1
59	694-077204-02(6)	10-0772045-72-01	POWER BUTTON BEZEL	1
60	695-077201-00(9)	10-0772011-00-00	LED LENS ROUND	1
61	698-016301-00(1)	10-0163017-01-00	PLASTIC FOOT DOME SHAPE	4
62	698-075206-00(9)	10-0752065-01-00	VIDEO HOUSING	1

NOTE: THE COMPONENTS IDENTIFIED BY ⚠ MARK ARE CRITICAL FOR RISK OF FIRE AND ELECTRICAL SHOCK. REPLACE ONLY WITH PART NUMBER SPECIFIED.

<*AH > : USA, CANADIAN MODEL ONLY.

<*C > : EUROPEAN MODEL ONLY.

Interim P/N Final P/N with Description

800-AUBD73-20 50-919-2773-90 - T773 PH II AUDIO BOARD ASSEMBLY

800-CVBD73-20 50-932-2773-90 - T773 PH II COMPONENT VIDEO BD ASSY

800-DGBD73-20 50-921-2773-90 - T773 PH II DIGITAL OUTPUT BD ASSY

800-KEBD73-20 50-922-2773-90 - T773 PH II KEYBOARD ASSEMBLY

800-MABD73-20 50-901-2773-90 - T773 PH II MAIN BOARD ASSEMBLY

800-PABD73-20 50-927-2773-90 - T773 PH II SPEAKER BOARD ASSEMBLY

800-POBD73-20 50-924-2773-90 - T773 PH II PRE-OUT BOARD ASSEMBLY

800-PSUD73-20 50-903-2773-90 - T773AH PH II PUS UL BOARD ASSEMBLY

800-VEBD73-20 50-920-2773-90 - T773 PH II COMPOSITE VIDEO DB ASSY

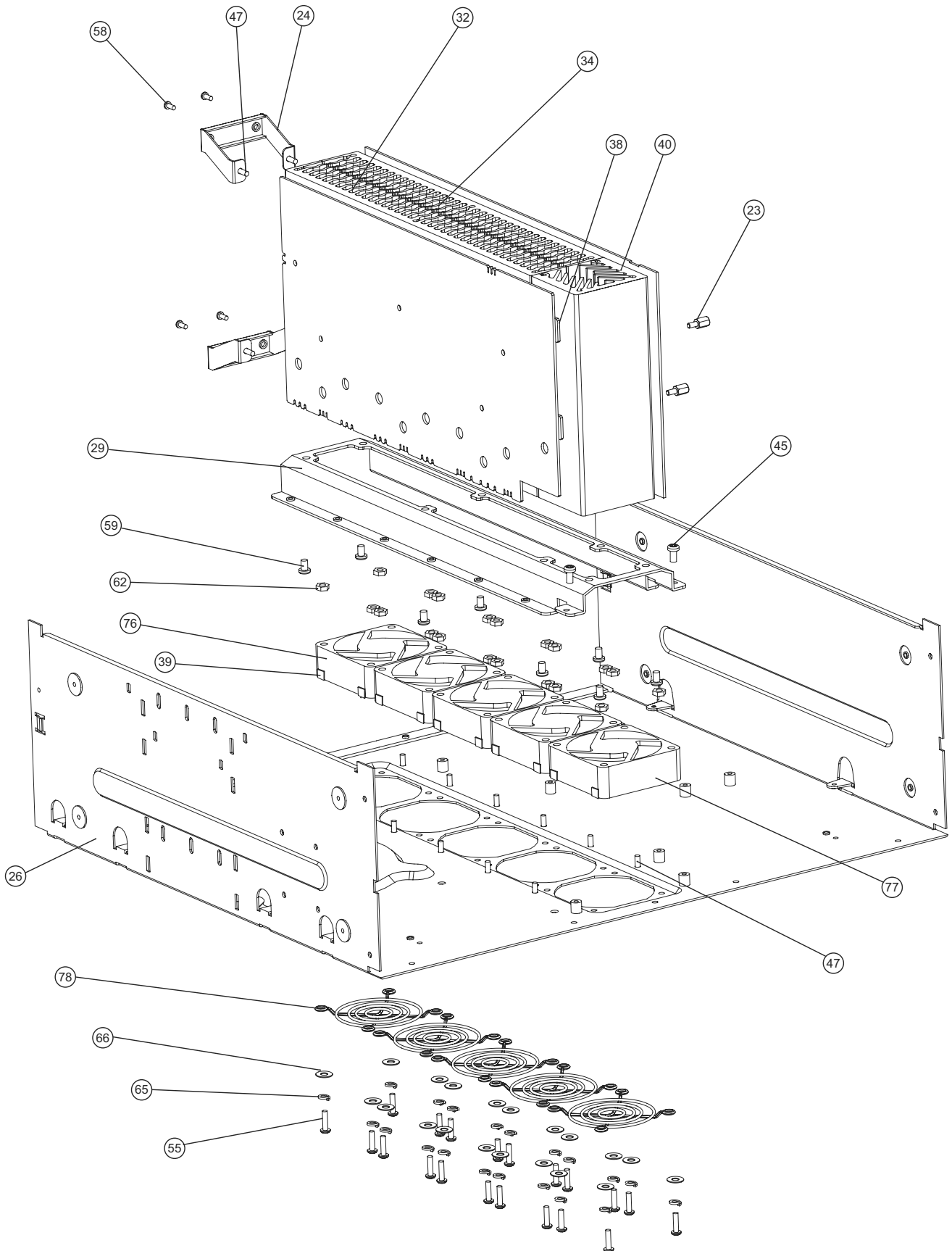
800-MUBD73-20 50-923-2773-90 - T773 PH II MULTI-CH BOARD ASSEMBLY

OHF-N2773S-01 50-940-2773-90 - T773AH PH II POWER AMPLIFIER MODULE

Interim P/N	Final P/N with Description
--------------------	-----------------------------------

810-377300-01	50-901-3773-90 - T773 V3 MAIN BOARD ASSEMBLY
810-377300-22	50-922-3773-90 - T773 V3 KEYBOARD ASSEMBLY
810-377300-29	50-932-3773-90 - T773 V3 COMPONENT VIDEO BOARD ASSEMBLY
810-377300-45	50-934-3773-90 - T773 V3 ISC FRONT BOARD ASSEMBLY
810-377301-45	50-935-3773-90 - T773 V3 ISC SURROUND BOARD ASSEMBLY
800-MUBD73-20	50-923-2773-90 - T773 PH II MULTI-CH BOARD ASSEMBLY
800-SVBD73-20	50-929-2773-90 - T773 S-Video Board Assembly
OHF-N0773S-01	50-940-0773-90 - T773AH POWER AMPLIFIER MODULE
OHF-N2773S-01	50-940-2773-90 - T773AH PH II POWER AMPLIFIER MODULE
OHF-N3773S-01	50-940-3773-90 - T773AH V3 POWER AMPLIFIER MODULE

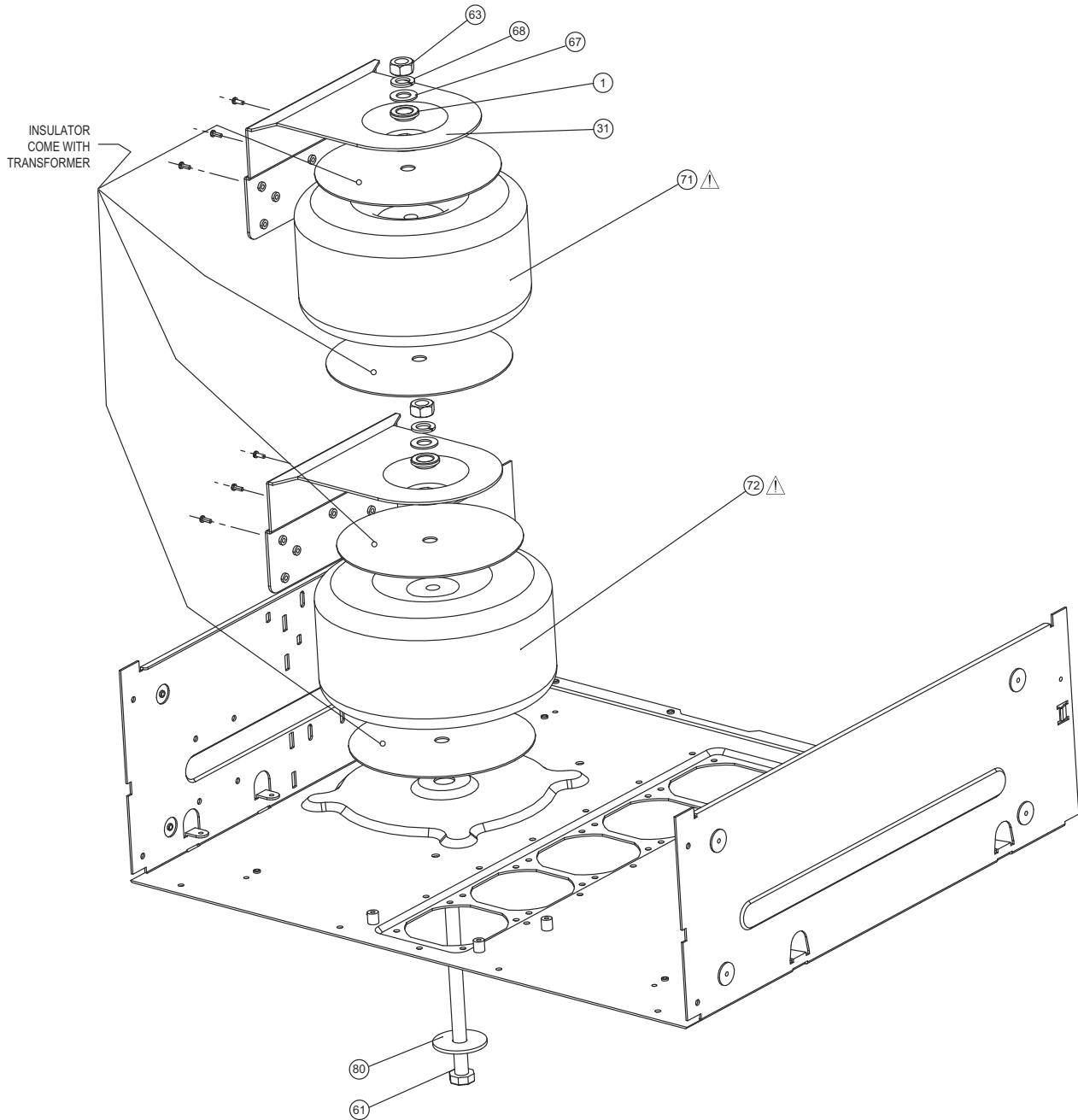
EXPLODED VIEW - FANS & HEATSINK



EXPLODED VIEW PARTS LIST - FANS & HEATSINK

<u>Item</u>	<u>SCM.</u>	<u>Part No.</u>	<u>Description</u>	<u>Qty.</u>
71	176-201123-02(5)	37-2011230-02-63	FAN DC 60 X 60 X 20mm 12V 0.13A 3000RPM W/450mm	2
72	176-201123-03(6)	37-2011230-03-63	FAN DC 60 X 60 X 20mm 12V 0.13A 3000RPM W/350mm	3
73	181-000000-09(2)	39-0000008-00-63	FAN GUARD 60mm DFG-60	5
74	614-030060-00(6)	14-0300600-02-00	MACHINE SCREW M3 X 6 P/H NI PLT	7
75	614-030060-03(9)	14-0300600-52-00	MACHINE SCREW M3.0 X 6.0 B/H TAP TYPE NICKEL PLT	26
76	614-030080-00(2)	14-0300800-02-00	MACHINE SCREW M3 X 8 P/H NI PLT	5
77	614-030120-02(4)	14-0301203-02-00	MACHINE SCREW M3 X 12 B/H NI-PLT	23
78	614-030140-00(7)	14-0301400-02-00	MACHINE SCREW M3 X 14 B/H NI-PLT	20
79	614-040080-06(3)	14-0400803-54-00	TAPTITE SCREW _4 X 8 B/H BLK TYPE-B	4
80	614-040080-08(5)	14-0400808-54-00	TAPTITE SCREW 4 X 8 C/H TYPE -B BLK	8
81	617-030004-00(2)	16-0300044-00-25	INTERNAL TOOTH WASHER M3 X 0.4mm	5
82	617-032056-00(9)	16-0320560-09-20	WASHER SPRING I/D 3.2 X O/D 5.6 0.9mm THK	50
83	617-035008-01(6)	16-0350080-04-35	WASHER STEEL I/D 3.5 X O/D 8.0 0.4mm THK ZINC PLT	20
84	622-077300-00(3)	12-0773001-70-00	FIBRE PAPER 140 x 54 x 0.8mm UL GRADE	1
85	659-076200-00(9)	11-0762005-80-00	HEX SPACER AF5.5 H8+6	10
86	659-076209-01(1)	11-0762095-80-00	HTSK SUPPORT BRACKET	2
87	659-077203-00(2)	11-0772035-80-00	LARGE FAN MOUNTING BRACKET	1
88	659-077307-00(4)	11-0773075-80-00	MOUNTING BRACKET	4
89	659-077308-00(3)	11-0773085-80-00	FAN SCREW BRACKET	20
90	659-210013-00(7)	11-2100135-80-00	CLIP THERMAL SWITCH	1
91	672-077205-03(9)	11-0772058-94-03	EXTRUDED HEATSINK L	1
92	672-077206-00(5)	11-0772068-94-00	EXTRUDED HEATSINK R	1
93	672-077309-01(9)	11-0773098-94-01	U-SHAPE HTSK	1

EXPLODED VIEW - TRANSFORMER



EXPLODED VIEW PARTS LIST - TRANSFORMER

Item	SCM.	Part No.	Description	Qty.
96		25-0090062-00-21	TRANSFORMER PW TOROIDAL 120V/240V TI-033080	1
97		25-0090063-00-21	TRANSFORMER PW TOROIDAL 120V/240V TI-033081	1
98		02-0000020-00-00	NYLON OD18 X 9.3 X 3.5mm WR-1809	2
99		15-0807600-05-30	HEX NUT M8 X 6.5 THK	2
100		14-0300804-54-00	TAPTITE SCREW M3 X 8 K/H TYPE B BLK PLT	8
101		14-0801515-03-02	HEX BOLT M8 L=150mm ZN PLT	1
102		16-0850160-10-30	WASHER METAL ID8.5 X OD16 X 1.0mm NICKEL	2
103		16-0850300-20-30	WASHER METAL ID8.5 X OD30 X 2 THK	1
104		16-0851500-12-30	WASHER SPRING I/D 8.5 X O/D 12.5 X 1.9THK	2
105		11-0772055-80-01	TRANSFORMER BRACKET	2

ELECTRICAL PARTS LIST

<u>Reference No.</u>	<u>SCM.</u>	<u>Part No.</u>	<u>Description</u>
<u>FRONT & CENTER AMP BOARD</u> <i>PCB ASSEMBLY</i>	800-A1BD73-20	/	Front and Center Amp Assembly
CAPACITORS			
C501,C513,C525,C801	130-477052-04(8)	22-3476052-00-43	CAP ELEC SS 4.7uF 50V 20% 85C
C503,C515,C527,C805	110-102677-00(3)	22-4110203-10-28	CAP MYLAR MCC-R 1000P 100V 10%
C505,C517,C529,C809	130-472022-01(4)	22-3471022-00-28	CAP ELEC GR 470uF 16V 20% 85C
C508,C519,C531,C815	110-154677-00(6)	22-4115403-10-10	CAP MYLAR KT-G 150nF 100V 10%
C510,C511,C521,C522,C534, C535,C819,C821	130-102082-02(1)	22-3101082-00-28	CAP ELEC GR 100uF 100V 20%
C537-C539,C823	106-104076-01(8)	22-4210402-00-71	CAP MPF 0.1uF 63V 5% MEM TYPE
C565,C566	130-471022-03(1)	22-3470022-00-43	CAP ELEC SS 47uF 16V 20% 85C
DIODES			
D501-D503,D505-D507,D509-D514, D522-D528,D531-D536,D805,D820, D821,D8113,D801,D803	300-000000-08(2)	20-0000000-00-62	DIODE SW 4NS DO35 1N4148
D529,D530	303-322200-01(4)	20-3222002-02-01	DIODE ZENER BZX55 22V 1/2W 5%
COILS			
L501-L503,L801	153-100000-01(7)	24-1000001-00-28	AIR COIL 0.2uH 10% 1 X 9 X 13.5 TURNS
RELAYS			
M501,M502,M505	182-312405-01(2)	32-3124051-03-40	RELAY POWER DC24V 5A/250V 2P1T
THERMISTORS			
M504,M507	384-100057-00(5)	23-6110100-00-08	THERMISTOR PTC 100 OHM
THERMAL PROTECTOR			
M506	181-000000-07(9)	39-0000007-00-15	THERMAL CUT OFF SWITCH 90C
TRANSISTORS			
Q501-Q503,Q511,Q513-Q515, Q523,Q525-Q527,Q535,Q801, Q803,Q805,Q821	339-000041-00(6)	21-0000410-00-12	XTR SS NPN HFE160-320 130MHz 2SC2362KF
Q504,Q506,Q516,Q518,Q529, Q530,Q562,Q565,Q568,Q809, Q811,Q854	330-101121-00(6)	21-1011210-50-12	XTR PW NPN 1A/100V TO-126 2SD600KE
Q505,Q508,Q517,Q520,Q528, Q532,Q815,Q850	330-101161-02(9)	21-1011611-30-12	XTR PW PNP 1.5A/160V TO-220ML 2SA1606E
Q507,Q519,Q531,Q813	330-101161-00(7)	21-1011610-30-12	XTR PW NPN 1.5A/160V TO-220ML 2SC4159E
Q510,Q522,Q533,Q817	330-108231-00(9)	21-1082310-10-00	XTR PW NPN 15A/230V TO-3P 2SC5200-O/R
Q521,Q534,Q819	330-118231-00(4)	21-1182310-10-00	XTR PW PNP 15A/230V TO-3P 2SA1943-O/R
Q543-Q545	339-000038-00(1)	21-0000380-70-14	XTR SS NPN HFE20 250MHz DTC123ESATP
Q550,Q551,Q553-Q557,Q561, Q564,Q567,Q807,Q823,Q824	339-010041-00(1)	21-0100410-00-12	XTR SS PNP HFE 280-560 110MHz 2SA1016KG-AA
Q563,Q566,Q569,Q855	330-101121-01(7)	21-1011211-50-12	XTR PW PNP 1A/100V TO-126 2SB631KE
RESISTORS			
R522,R545,R571,R835	253-010210-00(9)	30-0102106-01-64	VR SEMI-FIX RES CF 1K OHM B 30% 6mm
R523,R547,R574,R843	386-022853-01(5)	23-4228280-08-20	RES RN 0.22 OHM 5% 5W SIL 3 PIN

Reference No.	SCM.	Part No.	Description
R527,R528,R548,R556,R575, R576,R829,R837	383-010033-60(3)	23-2100230-00-00	RES MO 10 OHM 5% 1/2W
R589,R590,R591,R857	383-010033-80(3)	23-2100250-00-01	RES MO 10 OHM 5% 2W
<u>SURR LETT/RIGHT/BACK AMP BOARD</u>			
PCB ASSEMBLY	800-A2BD73-20	/	SURR LEFT/RIGHT/BACK AMP ASSEMBLY
CAPACITORS			
C554	130-221022-03(2)	22-3220022-00-43	CAP ELEC GS 22uF 16V 20% 85C
C801,C802,C835	130-477052-04(8)	22-3476052-00-43	CAP ELEC SS 4.7uF 50V 20% 85C
C805,C806,C836	110-102677-00(3)	22-4110203-10-28	CAP MYLAR MCC-R 1000P 100V 10%
C809,C810,C837	130-472022-01(4)	22-3471022-00-28	CAP ELEC GR 470uF 16V 20% 85C
C815,C816,C840	110-154677-00(6)	22-4115403-10-10	CAP MYLAR KT-G 150nF 100V 10%
C819,C820,C821,C822,C842,C843	130-102082-02(1)	22-3101082-00-28	CAP ELEC GR 100uF 100V 20%
C823,C824,C844	106-104076-01(8)	22-4210402-00-71	CAP MPF 0.1uF 63V 5% MEM TYPE
C871,C873,C874	130-103032-80(5)	22-3102032-30-28	CAP ELEC KM 1000uF 25V 20% 105C
C872	130-101022-02(8)	22-3100022-00-43	CAP ELEC SS 10uF 16V 20% 85C
C875	130-223042-04(9)	22-3222042-30-49	CAP ELEC KM 2200uF 35V 20% 105C
DIODES			
D801-D809,D814-D818,D820-D825, D871-D872,D875	300-000000-08(2)	20-0000000-00-62	DIODE SW 4NS DO35 1N4148
D873	301-100110-10(3)	20-1001102-20-26	DIODE RECT 1A/1000V DO41 WIN4007
D879	303-313391-00(9)	20-3133912-20-36	DIODE ZENER BZX85 3.3V 1W 5%
COILS			
L801-L803	153-100000-01(7)	24-1000001-00-28	AIR COIL 0.2uH 10% 1 X 9 X 13.5 TURNS
RELAY			
M801,M802	182-312408-00(7)	32-3124081-02-40	RELAY POWER DC24V 8A/250V 2P1T
THERMISTOR			
M807	384-100057-00(5)	23-6110100-00-08	THERMISTOR PTC 100 OHM
TRANSISTORS			
Q509,Q819,Q820,Q846	330-118231-00(4)	21-1182310-10-00	XTR PW PNP 15A/230V TO-3P 2SA1943-O/R
Q512,Q807,Q808,Q823,Q824, Q826,Q827,Q834,Q835,Q837	339-010041-00(1)	21-0100410-00-12	XTR SS PNP HFE 280-560 110MHz 2SA1016KG-AA
Q545,Q546,Q801-Q806,Q821, Q822,Q838,Q839,Q840,Q847	339-000041-00(6)	21-0000410-00-12	XTR SS NPN HFE160-320 130MHz 2SC2362KF
Q809-Q812,Q841,Q842,Q854, Q856,Q858	330-101121-00(6)	21-1011210-50-12	XTR PW NPN 1A/100V TO-126 2SD600KE
Q813,Q814,Q843	330-101161-00(7)	21-1011610-30-12	XTR PW NPN 1.5A/160V TO-220ML 2SC4159E
Q815,Q816,Q844,Q850-Q852	330-101161-02(9)	21-1011611-30-12	XTR PW PNP 1.5A/160V TO-220ML 2SA1606E
Q817,Q818,Q845	330-108231-00(9)	21-1082310-10-00	XTR PW NPN 15A/230V TO-3P 2SC5200-O/R
Q829,Q848	339-000038-00(1)	21-0000380-70-14	XTR SS NPN HFE20 250MHz DTC123ESATP
Q855,Q857,Q859	330-101121-01(7)	21-1011211-50-12	XTR PW PNP 1A/100V TO-126 2SB631KE
Q871	330-103600-04(1)	21-1036003-50-06	XTR PW 3A/60V TO-126 2SB772Q
Q872	339-000039-00(9)	21-0000390-70-14	XTR SS NPN HFE270-560 180MHz 2SC1740STPS

Reference No.	SCM.	Part No.	Description
RESISTORS R8103,R843,R844 R8110,R857,R858 R829,R830,R837,R838,R894,R898 R835,R836,R897	386-022853-01(5) 383-010033-80(3) 383-010033-60(3) 253-010210-00(9)	23-4228280-08-20 23-2100250-00-01 23-2100230-00-00 30-0102106-01-64	RES RN 0.22 OHM 5% 5W SIL 3 PIN RES MO 10 OHM 5% 2W AXIAL RES MO 10 OHM 5% 1/2W AXIAL VR SEMI-FIX RES CF 1K OHM B 30% 6mm
REGULATORS U871 U872	503-300120-07(2) 503-300050-14(5)	27-3001201-17-14 27-3000501-17-14	IC VOLT REG 12V 1A TO-220 NJM7812 IC VOLT REG 5V 1A TO-220 NJM7805FA
AUDIO BOARD PCB ASSEMBLY	800-AUBD73-20	/	Audio Board Assembly
CAPACITORS C3101-C3113,C3115	130-221022-03(2)	22-3220022-00-43	CAP ELEC GS 22uF 16V 20% 85C
RCA JACKS M301-M303	265-406042-00(5)	34-4060420-00-60	RCA JACK 6 R-R-R/W-W-W PCB MOUNT GOLD
RESISTORS SMD J3101,J3102	390-000036-20(9)	44-0000027-11-00	RES SMD 0 OHM 5% 1/10W 0805
COMPONENT VIDEO BOARD PCB ASSEMBLY	800-CVBD73-20	/	Component Video Board Assembly
CAPACITORS C4301-C4309 C4310-C4312,C4325,C4331 C4313-C4315 C4316,C4318,C4320 C4326-C4330	130-227052-04(9) 130-101022-02(8) 130-107052-03(6) 130-103012-03(3) 100-104579-21(5)	22-3226052-00-43 22-3100022-00-43 22-3106052-00-43 22-3102012-00-00 22-1104172-21-56	CAP ELEC SS 2.2uF 50V 20% 85C CAP ELEC SS 10uF 16V 20% 85C CAP ELEC SS 1uF 50V 20% 85C CAP ELEC GS 1000uF 10V 20% 85C CAP CER CS1 0.1uF 50V +80/-20%
DIODES D4301,D4302	300-000000-08(2)	20-0000000-00-62	DIODE SW 4NS DO35 1N4148
RCA JACKS M431-M434	265-403202-00(1)	34-4032020-00-60	RCA 3 G-BL-R PCB MOUNT GOLD
RESISTORS SMD J4301-J4303	390-000036-20(9)	44-0000027-11-00	RES SMD 0 OHM 5% 1/10W 0805
ICS U4301 U4302,U4303 U4304	505-517660-00(3) 500-744052-00(5) 500-010099-02(2)	27-5176600-18-23 / 27-0100990-25-00	IC VIDEO 3-CHANNEL 75 OHM DRIVER SSOP BA7660FS IC LOGIC ANALOG MULTIPLEXER / DEMULTIPLEXER SMD SOIC-16 74HC4052D IC QUAD 2-INPUT NAND GATE SOP M74HC00RM13TR

Reference No.	SCM.	Part No.	Description
DIGITAL INPUT BOARD			
PCB ASSEMBLY	800-DGBD73-20	/	Digital Input Board Assembly
CAPACITORS			
C1213,C1214,C1221	130-227052-04(9)	22-3226052-00-43	CAP ELEC SS 2.2uF 50V 20% 85C
C1222,C1223	130-102022-06(8)	22-3101022-00-43	CAP ELEC SS 100uF 16V 20% 85C
C901-C904	130-107052-03(6)	22-3106052-00-43	CAP ELEC SS 1uF 50V 20% 85C
C905	130-101022-02(8)	22-3100022-00-43	CAP ELEC SS 10uF 16V 20% 85C
RCA JACKS			
J1001-J1004,J1007	265-401032-00(9)	34-4010320-00-60	RCA JACK 1 BLACK PCB MOUNT GOLD
OPTICAL FIBRE			
J1005,J1006	320-670138-00(7)	26-6701380-01-16	FIBRE OPTIC RECEIVING UNIT GP1FA550RZ
J1008	320-669138-01(4)	26-6691386-00-16	FIBRE OPTIC TRANSMITTER GP1FA550TZ
CONNECTOR			
M901	274-500000-01(6)	34-5000007-00-79	DB9 FEMALE CONNECTOR PCB MOUNT RIGHT ANGLE
ICS			
U1201,U1202	500-080499-00(7)	27-0804990-18-00	IC LOGIC HEX INVERTER SMD SOP M74HCU04MIR
U1203	500-012519-00(2)	27-0125190-18-00	IC LOGIC 8-CHANNEL MULTIPLEXER-SSOP 74HC251M1R
U901	500-072320-00(3)	27-0723200-18-43	IC LOGIC DUAL RS-232 TRANSMITTER SMD SOIC DS232AR
DSP BOARD			
PCB ASSEMBLY	800-DSBD63-20	/	DSP Board Assembly
CAPACITORS			
C1004,C1014,C1062,C1155, C1100,C1096,C1083,C1016	130-107052-03(6)	22-3106052-00-43	CAP ELEC SS 1uF 50V 20% 85C
C1005	130-227052-04(9)	22-3226052-00-43	CAP ELEC SS 2.2uF 50V 20% 85C
C1011,C1210	106-104076-01(8)	22-4210402-00-71	CAP MPF 0.1uF 63V 5% MEM
C1021,C1020,C1030,C1031,C1040, C1041,C1050,C1051,C1091,C1094	130-337052-01(4)	22-3336052-00-43	CAP ELEC SS 3.3uF 50V 20% 85C
C1056,C1092,C1152-C1154	106-105076-01(4)	22-4210502-00-71	CAP MPF 1uF 63V 5% MEM TYPE
C1060,C1073	130-472022-01(4)	22-3471022-00-28	CAP ELEC GR 470uF 16V 20% 85C
C1012,C1072,C1079,C1137, C1138,C1143,C1144	130-101022-02(8)	22-3100022-00-43	CAP ELEC SS 10uF 16V 20% 85C
C1109-C1112	130-471022-03(1)	22-3470022-00-43	CAP ELEC SS 47uF 16V 20% 85C
C1117	130-102022-06(8)	22-3101022-00-43	CAP ELEC SS 100uF 16V 20% 85C
C1171,C1172	130-477052-04(8)	22-3476052-00-43	CAP ELEC SS 4.7uF 50V 20% 85C
C1003,C1008,C1009,C1013,C1015, C1017-C1019,C1061,C1074-C1076, C1078,C1081,C1082,C1090,C1093, C1095,C1099,C1124-C1128,C1150, C1151,C1157,C1177,C1178	120-104528-71(9)	45-0104056-57-57	CAP CER SMD 0.1uF 50V 20% Y5V 0603
C1007,C1010,C1160,C1175,C1176	120-103527-51(5)	45-0103055-55-56	CAP CER SMD 10nF 50V 10% X7R 0603
C1022,C1026,C1032,C1036,C1042, C1046,C1052,C1056	120-332527-50(8)	45-0332055-55-56	CAP CER SMD 3.3nF 50V 10% X7R 0603

Reference No.	SCM.	Part No.	Description
C1024,C1028,C1034,C1038,C1044, C1048,C1054,C1058,C1132	120-102527-50(8)	45-0102055-55-56	CAP CER SMD 1nF 50V 10% X7R 0603
C1025,C1029,C1035,C1039,C1045, C1049,C1055,C1059	120-152527-50(1)	45-0152055-55-56	CAP CER SMD 1.5nF 50V 10% X7R 0603
C1101-C1108,C1183	120-101527-50(3)	45-0101055-55-56	CAP CER SMD 100pF 50V 10% X7R 0603
C1114,C1130,C1131	120-472527-50(9)	45-0472055-55-56	CAP CER SMD 4.7nF 50V 10% X7R 0603
C1121,C1006	120-221527-50(5)	45-0221055-55-57	CAP CER SMD 220pF 50V 10% X7R 0603
C1134-C1136	120-222527-50(1)	45-0222055-55-56	CAP CER SMD 2.2nF 50V 10% X7R 0603
C1139,C1145,C1146,C1140	120-272527-51(4)	45-0272055-55-57	CAP CER SMD 2.7nF 50V 10% X7R 0603
C1141,C1142,C1147,C1148	120-561527-50(3)	45-0561055-55-56	CAP CER SMD 560pF 50V +10% X7R 0603
C1187,C1188	120-471526-20(5)	45-0471054-52-56	CAP CER SMD 470pF 50V 5% NPO 0603
C1201-C1208	120-331527-50(3)	45-0331055-55-56	CAP CER SMD 330pF 50V 10% X7R 0603
C1209	120-680527-50(9)	45-0680055-55-56	CAP CER SMD 68pF 50V 10% X7R 0603
INDUCTORS			
L1001-L1005,L1007,L1010, L1012-L1015	152-010012-02(3)	24-0100127-00-28	IND CHOKE 10uH 10%
L1011	152-056910-03(7)	24-0569107-00-28	IND CHOKE 5.6uH 10%
TRANSISTORS			
Q1001-Q1003	339-000001-01(6)	21-0000010-00-46	XTR SS NPN HEF 100 200MHz TO-92 C1815Y
RESISTORS SMD			
J1001,R1215,R1010,R1099, R1247,R1249	390-000026-11(3)	44-0000020-51-00	RES SMD 0 OHM 5% 1/16W 0603
R1001,R1002,R1079,R1083, R1222,R1231-R1246	390-470126-11(4)	44-0470120-51-00	RES SMD 4.7K OHM 5% 1/16W 0603
R1003-R1006	390-330126-11(3)	44-0330120-51-00	RES SMD 3.3K OHM 5% 1/16W 0603
R1007,R1191-R1194	390-330926-11(6)	44-0330920-51-00	RES SMD 33 OHM 5% 1/16W 0603
R1008,R1020-R1022,R1026,R1036, R1040,R1050,R1054,R1064,R1068, R1114,R1130-R1138	390-100226-11(9)	44-0100220-51-00	RES SMD 10K OHM 5% 1/16W 0603
R1009	390-200326-10(8)	44-0200320-51-00	RES SMD 200K OHM 5% 1/16W 0603
R1013	390-120126-12(3)	44-0120120-51-00	RES SMD 1.2K OHM 5% 1/16W 0603
R1023,R1027,R1028,R1030,R1033, R1035,R1037,R1041,R1042,R1044, R1047,R1049,R1051,R1055,R1056, R1058,R1061,R1063,R1065,R1069, R1070,R1072,R1075,R1077,R1078, R1080,R1084	90-220126-11(5)	44-0220120-51-00	RES SMD 2.2K OHM 5% 1/16W 0603
R1024,R1031,R1038,R1045,R1052, R1059,R1073,R1066	390-620026-10(1)	44-0620020-51-00	RES SMD 620 OHM 5% 1/16W 0603
R1081,R1090,R1091,R1221	390-270124-10(8)	44-0270110-51-00	RES SMD 2.7K OHM 1% 1/16W 0603
R1082	390-180124-10(9)	44-0180110-51-00	RES SMD 1.8K OHM 1% 1/16W 0603
R1092-R1094,R1112-R1113, R1115,R1181-R1184	390-100026-11(6)	44-0100020-51-00	RES SMD 100 OHM 5% 1/16W 0603
R1117,R1116,R1123,R1122	390-562124-20(5)	44-0562117-51-00	RES SMD 5.62K OHM 1% 1/10W 0603
R1118,R1119,R1124,R1125	390-118124-20(3)	44-0118117-51-00	RES SMD 1.18K OHM 1% 1/10W 0603
R1120,R1121,R1126,R1127	390-150126-11(5)	44-0150120-51-00	RES SMD 1.5K OHM 5% 1/16W 0603
R1166	390-100126-11(3)	44-0100120-51-00	RES SMD 1K OHM 5% 1/16W 0603
R1171-R1174	390-470224-21(3)	44-0470217-51-00	RES SMD 47K OHM 1% 1/10W 0603
R1175,R1176,R1223,R1224	390-100324-10(7)	44-0100310-51-00	RES SMD 100K OHM 1% 1/16W 0603
R1177,R1178	390-910926-11(7)	44-0910920-51-00	RES SMD 91 OHM 5% 1/16W 0603

Reference No.	SCM.	Part No.	Description
R1195-R1198 R1213-R1214,R1216 R1217,R1218	390-200126-12(7) 390-750926-11(8) 390-634024-10(9)	44-0200120-51-00 44-0750920-51-00 /	RES SMD 2K OHM 5% 1/16W 0603 RES SMD 75 OHM 5% 1/16W 0603 RES SMD 634 OHM 1% 1/16W 0603
ICS			
U1001	509-949326-00(2)	27-9493260-04-70	IC DD DTS & MPEG DECODER PLCC CS49326
U1004	500-011579-01(4)	27-0115790-25-00	IC LOGIC QUAD 2-INPUT SELECTOR SOIC 74HC157MIR
U1005	509-984150-00(8)	27-9841500-25-53	IC 96KHz DIGITAL AUDIO INTERFACE RECEIVER SMD CS8415A-CS
U1007 U1008,U1009	502-027020-00(3) 500-065749-00(7)	27-2325607-00-61 27-0657490-18-00	I.C.EEPROM 256X8 BYTE 70ns PDIL SST27SF020 IC LOGIC OCTAL D-FLIP FLOPS WITH 3-STAGE O/P SMD 74LVQ574 M
U1010-U1013,U1023,U1028 U1002,U1003,U1014	507-705532-01(7) 500-032459-00(5)	27-7055320-18-14 27-0324590-24-00	IC AUDIO LOW NOISE OP-AMP SMD NJM5532M IC LOGIC OCTAL BIDIRECTIONAL TRANSCEIVER SMD 74LVC245ATTR
U1020,U1015 U1025	503-303171-00(8) 509-943920-00(5)	27-3031710-06-00 27-9439200-24-53	IC REG 1A TO-220(T) LM317T IC 24BIT 192KHz STEREO DAC TSSOP CS4392-KZ
U1026 U1027	509-943600-00(9) 509-953410-00(8)	27-9436000-24-53 27-9534100-18-47	IC 24BIT 192KHz 6 CH DAC CS4360KZ IC AUDIO A/D CONVERTER 16PIN SMD TSSOP CS5341-CZZ
CRYSTAL			
X1001	290-512220-01(4)	28-5122200-04-19	CRYSTAL CLOCK OSCILLATOR 12.288 MHz 50 ppm
KEYBOARD			
PCB ASSEMBLY	800-KEBD73-20	/	Keyboard Board Assembly
CAPACITORS			
C208-C211	130-471022-03(1)	22-3470022-00-43	CAP ELEC SS 47uF 16V 20% 85C
C212	130-103012-04(4)	22-3102012-00-28	CAP ELEC GR 1000uF 10V 20% 85C
C214	130-108052-01(9)	22-3107052-00-43	CAP ELEC SS 0.1uF 50V 20% 85C
C223	100-103577-17(8)	22-1103150-17-37	CAP CER CG 0.01uF 50V 10%
C224	130-473032-02(8)	22-3472032-00-28	CAP ELEC GR 4700uF 25V 20% 85C
C241,C242	120-102527-51(9)	45-0102055-55-57	CAP CER SMD 1nF 50V 10% X7R 0603
C251-C254	120-330527-50(7)	45-0330055-55-57	CAP CER SMD 33pF 50V 10% X7R 0603
C255,C258	130-107052-03(6)	22-3106052-00-43	CAP ELEC SS 1uF 50V 20% 85C
DIODES			
D212,D214-D218 D220	300-000000-08(2) 303-385190-00(9)	20-0000000-00-62 20-3851902-00-05	DIODE SW 4NS DO35 1N4148 DIODE ZENER BZX79 5.1V 1/2W 5%
IR RECEIVER			
D201	320-094138-00(8)	26-0941380-00-00	IR RX 940nm 37.9KHz SHIELD
ENCODER			
M201	254-600121-01(8)	35-6001219-00-47	ENCODER ROTATRY STD L=20MM VERT W/O CLICK

Reference No.	SCM.	Part No.	Description
TRANSISTORS			
Q201	339-010010-01(9)	21-0100100-00-46	XTR SS PNP HFE 100 200MHz TO-92 A1015Y
Q203-Q206	339-000001-01(6)	21-0000010-00-46	XTR SS NPN HEF 100 200MHz TO-92 C1815Y
RESISTORS SMD			
R201-R207,R213,R219,R223,R224, R226,R227,R229,R231,R232	390-100226-11(9)	44-0100220-51-00	RES SMD 10K OHM 5% 1/16W 0603 TAPE
R217,R218	390-470026-11(7)	44-0470020-51-00	RES SMD 470 OHM 5% 1/16W 0603 TAPE
R220,R261,R263,R265-R276	390-470126-11(4)	44-0470120-51-00	RES SMD 4.7K OHM 5% 1/16W 0603 TAPE
R221,R230	390-220126-11(5)	44-0220120-51-00	RES SMD 2.2K OHM 5% 1/16W 0603 TAPE
R222	390-068024-70(5)	44-0680910-51-00	RES SMD 68 ohm 1% 1/16W 0603 TAPE
R225	390-560024-11(8)	44-0560010-51-00	RES SMD 560 OHM 1% 1/16W 0603 TAPE
R233,R271	390-470226-11(1)	44-0470220-51-00	RES SMD 47K OHM 5% 1/16W 0603 TAPE
R234,R216	390-100126-11(3)	44-0100120-51-00	RES SMD 1K OHM 5% 1/16W 0603 TAPE
R238	390-120226-11(8)	44-0120220-51-00	RES SMD 12K OHM 5% 1/16W 0603 TAPE
R241,R242	390-100026-11(6)	44-0100020-51-00	RES SMD 100 OHM 5% 1/16W 0603 TAPE
R251,R252	390-100526-10(8)	44-0100520-51-00	RES SMD 10M OHM 5% 1/16W 0603 TAPE
R262,R264	390-680026-11(8)	44-0680020-51-00	RES SMD 680 OHM 5% 1/16W 0603 TAPE
R269	390-000036-20(9)	44-0000027-11-00	RES SMD 0 OHM 5% 1/10W 0805 TAPE
R270	390-470326-11(7)	44-0470320-51-00	RES SMD 470K OHM 5% 1/16W 0603 TAPE
TACT SWITCHES			
S201-S219	182-100111-08(9)	35-1001117-00-67	SW TACT NO 1P1T 50mA/12V VER H=7mm
ICS			
U201,U202	501-108640-01(7)	27-1086401-04-25	IC MCU 8 BIT 64KROM 1024 BYTE SCRAM PLCC T89C51RD2-SL
U203	509-963060-00(5)	27-9630600-14-62	IC VFD DRIVER SMD QFP PT6306
U204-U207,U211	500-054094-01(6)	27-0540940-18-08	IC LOGIC 8-STAGE SHIFT-AND-STORE BUS REGISTER SMD SO16 94BT
U208	500-014051-00(9)	27-0140510-18-00	IC LOGIC SINGLE 8 CH ANALOG MUX/DEMUX SMD M74HC4051MIR
U209	500-032459-03(8)	27-0324591-18-00	IC LOGIC OCTAL BUS TRANSCEIVER (3-STATE) 74VHC245M
U210	502-230022-08(2)	27-2300225-00-25	IC EEPROM 2K BYTE 250nS PDIL AT 24C16
U214	509-981000-00(6)	27-9810000-28-36	IC MICROCONTROLLER RESET MONITORS TCM810LENB713
VFD			
VD201	354-434010-00(4)	41-4340100-00-13	VFD 16-BT-93GNK
CRYSTALS			
X201,X202	290-520020-02(5)	28-5200200-06-19	CRYSTAL 20.000MHz 30ppm HC-49S
LED BOARD			
PCB ASSEMBLY	800-LEBD73-20	/	LED Board Assembly
TACT SWITCH			
S220	182-100111-08(9)	35-1001117-00-67	SW TACT NO 1P1T 50mA/12V VER H=7mm

<u>Reference No.</u>	<u>SCM.</u>	<u>Part No.</u>	<u>Description</u>
LED D211	314-001258-05(7)	26-0012587-01-17	LED RED-GRN CIRCULAR 5X8.7MM 5RG9SW-2-A COMMON ANODE
MAIN BOARD PCB ASSEMBLY	800-MABD73-20	/	Main Board Assembly
CAPACITORS			
C701	130-333042-06(9)	22-3332042-30-62	CAP ELEC SK 3300uF 35V 20% 105C
C702,C719	130-101022-10(6)	130-102022-00 XXX	CAP ELEC KM 100uF 16V 20% 105C
C704	130-473047-00(8)	22-3472042-30-35	CAP ELEC 4700uF 35V 105C
C705,C706,C716,C725	130-103032-80(5)	22-3102032-30-28	CAP ELEC KM 1000uF 25V 20% 105C
C707	130-223042-04(9)	22-3222042-30-49	CAP ELEC KM 2200uF 35V 20% 105C
C710	130-471052-70(1)	22-3470052-00-43	CAP ELEC SS 47uF 50V 20% 85C
C711-C713,C741	130-103052-03(4)	22-3102052-30-28	CAP ELEC KM 1000uF 50V 20% 105C
C715	106-105076-01(4)	22-4210502-00-71	CAP MPF 1uF 63V 5% MEM TYPE
C724	130-473032-06(3)	/	CAP ELEC EGH 4700uF 25V 20% 105C
DIODES			
D701-D710	301-100110-10(3)	20-1001102-20-26	DIODE RECT 1A/1000V DO41 WIN4007
D711	303-320310-02(8)	20-3203102-00-01	DIODE ZENER BZX55 30V 1/2W 5%
D715	305-500470-00(2)	20-5004700-50-02	DIODE BRI 4A/70V RS402L
TRANSISTOR			
Q701	330-101121-00(6)	21-1011210-50-12	XTR PW NPN 1A/100V TO-126 2SD600KE
REGULATORS			
U701,U704,U705	503-300050-14(5)	27-3000501-17-14	IC VOLT REG 5V 1A TO-220 NJM7805FA
U702,U707	503-300120-07(2)	27-3001201-17-14	IC VOLT REG 12V 1A TO-220 NJM7812
U703	503-310120-01(9)	27-3101201-13-14	IC VOLT REG TO-220F NJM7912
MULTI-CHANNEL BOARD PCB ASSEMBLY	800-MUBD73-20	/	Multi-Channel Board Assembly
CAPACITORS			
C607,C747-C754,C6201-C6214	130-221022-03(2)	22-3220022-00-43	CAP ELEC GS 22uF 16V 20% 85C
C627,C628,C633,C634	130-102022-06(8)	22-3101022-00-43	CAP ELEC SS 100uF 16V 20% 85C
C6301-C6304	120-104528-71(9)	45-0104056-57-57	CAP CER SMD 0.1uF 50V 20% Y5V 0603
C677-C690	130-471022-03(1)	22-3470022-00-43	CAP ELEC SS 47uF 16V 20% 85C
C755,C756,C775,C776	130-227052-09(5)	22-8226052-00-28	CAP ELEC 2.2uF 50V 20% NON-POLAR
C757,C758	106-282076-00(5)	22-4282302-00-31	CAP MpF 0.082uF 63V 5% DMF 5 SERIES
C759-C762,C769,C770,C773,C774	106-104076-01(8)	22-4210402-00-71	CAP MPF 0.1uF 63V 5% MEM TYPE
C763-C766	106-247076-01(6)	22-4247302-00-31	CAP MpF 0.047uF 63V 5% DMF 5 SERIES
C767,C768,C771,C772	106-233076-00(8)	22-4233202-00-31	CAP MpF 0.0033uF 63V 5% DMF 5 SERIES
DIODES			
D602,D604	303-327590-00(1)	20-3275902-00-01	DIODE ZENER BZX55 7.5V 1/2W 5%
INDUCTORS			
L6101,L6102	152-010110-03(3)	24-0101108-00-28	IND CHOKE 100uH 10%

Reference No.	SCM.	Part No.	Description
RCA JACKS M6101,M6103 M6102	265-406042-00(5) 265-402032-00(5)	34-4060420-00-60 34-4020320-00-60	RCA JACK 6 R-R-R/W-W-W PCB MOUNT GOLD RCA JACK 2 B/B PCB MOUNT GOLD
TRANSISTORS Q6101 Q6102 Q6107 Q6108,Q6109	339-000014-00(9) 339-010022-00(4) 339-000045-00(2) 339-000012-00(2)	21-0000140-00-01 21-0100220-00-01 21-0000450-70-14 21-0000120-70-14	XTR SS NPN HFE 120-200 190MHz TO-92 8050C XTR SS PNP HFE 120-200 200MHz TO-92 8550C XTR SS NPN 68 250MHz SPT DTA144ESATP XTR SS NPN HFE 68 30MHz SPT DTC144ESATP
RESISTORS R609,R610,R615 R611,R612,R616 R613,R614	381-330221-00(5) 381-200221-00(8) 381-750221-00(7)	/	RES MF 33K OHM 1% 1/6W RES MF 20K OHM 1% 1/6W RES MF 75K OHM 1% 1/6W
ICS U6101,U6102 U6103 U6104,U6105	507-766151-00(8) 500-054066-04(4) 507-705532-01(7)	27-7661516-14-01 27-0540660-00-94 27-7055320-18-14	IC SOUND PROCESSOR 7.1CH VOL+TONE SMD QFP M61516FP IC LOGIC ANALOG PDIL CD4066B IC AUDIO LOW NOISE OP-AMP SMD NJM5532M
<u>SPEAKER BOARD</u> PCB ASSEMBLY	800-PABD73-20	/	Speaker Board Assembly
SPEAKER TERMINAL M5101,M5102,M8101	262-300002-02(3)	34-3000021-00-80	SPEAKER TERMINAL 6P BINDING R/B W/O PLUG
<u>PRE-OUT BOARD</u> PCB ASSEMBLY	800-POBD73-20	/	Pre-Out Board Assembly
CAPACITORS C603,C604,C611-C620,C640,C645, C650,C655,C660,C665,C670,C675, C703,C708 C621,C622,C637,C642,C667,C679, C680,C691,C692 C626 C647,C652,C657,C662,C672, C700,C705 C684-C688,C699 C712,C713 C738-C740 C747-C766	130-221022-03(2) 130-471022-03(1) 133-222022-70(1) 130-101022-02(8) 130-332022-02(4) 100-102577-09(5) 120-221527-50(5) 120-104528-71(9)	22-3220022-00-43 22-3470022-00-43 / 22-3100022-00-43 22-3331022-00-28 22-1102150-09-01 45-0221055-55-57 45-0104056-57-57	CAP ELEC GS 22uF 16V 20% 85C CAP ELEC SS 47uF 16V 20% 85C CAP ELEC SS 220uF 16V 20% 85C CAP ELEC SS 10uF 16V 20% 85C CAP ELEC GR 330uF 16V 20% 85C CAP CER CCU05 1nF 50V 10% CAP CER SMD 220pF 50V 10% X7R 0603 CAP CER SMD 0.1uF 50V 20% Y5V 0603
DIODES D601,D605-D610 D611-D614	300-000000-08(2) 301-100110-10(3)	20-0000000-00-62 20-1001102-20-26	DIODE SW 4NS DO35 1N4148 DIODE RECT 1A/1000V DO41 WIN4007

Reference No.	SCM.	Part No.	Description
INDUCTORS			
L602-L610	152-010012-02(3)	24-0100127-00-28	IND CHOKE 10uH 10%
RCA JACKS			
M607,M609,M610	265-404050-00(4)	34-4040500-00-60	RCA JACK 4 R-W/R-W PCB MOUNT GOLD
M608,M612	265-402030-00(7)	34-4020300-00-60	RCA JACK 2 B/B PCB MOUNT GOLD
TRANSISTORS			
Q601-Q615,Q617,Q629-Q630, Q632-Q633	339-000035-00(4)	21-0000350-70-00	XTR SS NPN HFE200-700 30MHz SPT RN1241A
Q6101,Q6102	339-000036-00(3)	21-0000360-00-00	XTR SS NPN HFE200-700 30MHz 2SC2878A
Q6104	339-000040-00(7)	21-0000400-70-14	XTR SS NPN HFE30 250MHz SPT DTC114ESATP
Q621-Q626,Q6103	339-010039-00(4)	21-0100390-70-14	XTR SS PNP HFE 30 250MHz SPT DTA114ESATP
RESISTORS			
R631,R632,R6110	381-100121-10(8)	23-1102002-00-00	RES MF 1K OHM 1% 1/6W
R635,R645,R647,R654,R659,R666, R678,R6101-R6104,R6109	381-330131-10(6)	23-1330100-00-00	RES MF 3.3K OHM 1% 1/6W
R648,R655,R660,R667,R679	381-150121-31(2)	23-1150102-00-00	RES MF 1.5K OHM 1% 1/8W
R671,R6105,R6106	381-270121-10(3)	23-1272002-00-00	RES MF 2.7K OHM 1% 1/6W
R672,R695,R702	381-330021-01(3)	23-1330002-00-00	RES MF 330 OHM 1% 1/6W
R694,R701	381-220121-01(2)	23-1220102-00-00	RES MF 2.2K OHM 1% 1/6W
ICS			
U609-U615	507-705532-01(7)	27-7055320-18-14	IC AUDIO LOW NOISE OP-AMP SMD NJM5532M
PSU BOARD			
PCB ASSEMBLY*AH	800-PSUD73-20	/	PSU Board Assembly
PCB ASSEMBLY*C	800-PSED73-20	/	PSU Board Assembly
CAPACITORS			
C752	130-477052-04(8)	22-3476052-00-43	CAP ELEC SS 4.7uF 50V 20% 85C
C753	106-102076-00(6)	22-4210202-00-31	CAP MpF 0.001uF 63V 5% DMF 5 SERIES
C763 ⚠	100-103578-21(1)	22-1103960-37-71	CAP CER 0.01uF 250VAC 20%
DIODES			
D751-D756	301-100110-10(3)	20-1001102-20-26	DIODE RECT 1A/1000V DO41 WIN4007
FUSES			
F751*AH ⚠	370-019100-00(2)	33-0191001-00-88	FUSE TIME-LAG 10A/250VAC 5 X 20 mm UL/CSA 5T
F752*AH ⚠	370-011100-06(4)	33-0111006-00-88	FUSE 1.6A 250V TIME LAG LBC 5 x 20 mm 5T UL/CSA/VDE/SEMKO
F751*C ⚠	370-016100-04(9)	33-0161006-00-88	FUSE TIME-LAG 10A/250VAC 5 X 20 mm UL/VDE 5D
F752*C ⚠	370-015100-02(2)	33-0151006-00-48	FUSE 800mA 250V TIME LAG LBC 5 x 20 mm TSD UL/CSA/VDE/SEMKO
RELAY			
M751 ⚠	182-311221-00(2)	32-3112210-00-40	RELAY POWER DC12V 20A 220VAC 1P1T PCB UL/CUL

Reference No.	SCM.	Part No.	Description
TRANSISTOR Q751	339-000001-01(6)	21-0000010-00-46	XTR SS NPN HEF 100 200MHz TO-92 C1815Y
RESISTORS R751 ⚠	382-022834-60(8)	23-5228330-00-00	RES FUSIBLE 0.22 OHM 10% 1/2W
R754*AH ⚠	387-390453-60(9)	23-8395232-00-06	RES CONDUCTIVE PATH 3.9M OHM 1/2W 5%
STANDBY TRANSFORMER T751 ⚠	177-004005-01(2)	25-0040058-31-18	TRANSFORMER PW EI-35 100V/220V T05382B
<u>POWER SWITCH BOARD</u> PCB ASSEMBLY	800-PWBD73-20	/	Power Switch Board Assembly
CAPACITOR C764 ⚠	100-103578-21(1)	22-1103960-37-71	CAP CER 0.01uF 250VAC 20%
POWER SWITCH S751 ⚠	182-010110-05(8)	35-0101109-01-63	POWER SWITCH TV-8 10A/250VAC UL/CSA/VDE/SEMKO/NEMKO
<u>ISC SURROUND BOARD</u> PCB ASSEMBLY	800-S1BD73-20	/	ISC Surround Board Assembly
CAPACITORS C8201-C8204 C8206,-C8210	106-104076-01(8) 130-101022-02(8)	22-4210402-00-71 22-3100022-00-43	CAP MPF 0.1uF 63V 5% MEM TYPE CAP ELEC SS 10uF 16V 20% 85C
DIODES D8201 D8202,D8203 D8204,D8205 D8206,D8207	305-501040-00(7) 301-191260-00(4) 303-321200-04(2) 300-000000-08(2)	20-5010401-50-47 20-1912601-90-45 20-3212002-00-36 20-0000000-00-62	DIODE BRI 10A/400V KBK10G DIODE RECT 12A/600V TO-220 TYN612 DIODE ZENER BZX55 12V 1/2W 5% DO35 BZX55-C12V DIODE SW 4NS DO35 1N4148
TRANSISTORS Q8201,Q8203,Q8205 Q8202,Q8204 Q8206,Q8207	339-000001-01(6) 339-010010-01(9) 339-010041-00(1)	21-0000010-00-46 21-0100100-00-46 21-0100410-00-12	XTR SS NPN HEF 100 200MHz TO-92 C1815Y XTR SS PNP HFE 100 200MHz TO-92 A1015Y XTR SS PNP HFE 280-560 110MHz 2SA1016KG-AA
RESISTORS R8201,R8202 R8203 R8222,R8223	386-022853-01(5) 253-050310-02(6) 383-400133-90(8)	23-4228280-08-20 30-0503106-02-22 23-2402260-00-00	RES RN 0.22 OHM 5% 5W SIL 3 PIN COMMAND PIN2 W VR SEMI-FIXED RESISTOR CF 50K OHM 30% B 6mm RES MO 4K OHM 5% 3W
ICS U8102	507-705532-01(7)	27-7055320-18-14	IC AUDIO LOW NOISE OP-AMP SMD NJM5532M

Reference No.	SCM.	Part No.	Description
<u>ISC FRONT BOARD</u>			
PCB ASSEMBLY	800-SCBD73-20	/	ISC Front Board Assembly
CAPACITORS			
C8101-C8104,C816-C820	106-104076-01(8)	22-4210402-00-71	CAP MPF 0.1uF 63V 5% MEM TYPE
C8106-C8110	130-101022-02(8)	22-3100022-00-43	CAP ELEC SS 10uF 16V 20% 85C
DIODES			
D8101	305-501040-00(7)	20-5010401-50-47	DIODE BRI 10A/400V KBK10G
D8102,D8103	301-191260-00(4)	20-1912601-90-45	DIODE RECT 12A/600V TO-220 TYN612
D8104,D8105	303-321200-04(2)	20-3212002-00-36	DIODE ZENER BZX55 12V 1/2W 5% DO35 BZX55-C12V
D8106,D8107	300-000000-08(2)	20-0000000-00-62	DIODE SW 4NS DO35 1N4148
TRANSISTORS			
Q8101,Q8103,Q8105	339-000001-01(6)	21-0000010-00-46	XTR SS NPN HEF 100 200MHz TO-92 C1815Y
Q8102,Q8104	339-010010-01(9)	21-0100100-00-46	XTR SS PNP HFE 100 200MHz TO-92 A1015Y
Q8106,Q8107	339-010041-00(1)	21-0100410-00-12	XTR SS PNP HFE 280-560 110MHz 2SA1016KG-AA
RESISTORS			
R8101,R8102	386-022853-01(5)	23-4228280-08-20	RES RN 0.22 OHM 5% 5W SIL 3 PIN COMMAND
R8103	253-050310-02(6)	30-0503106-02-22	VR SEMI-FIXED RESISTOR CF 50K OHM 30% B 6mm
R8122,R8123	383-400133-90(8)	23-2402260-00-00	RES MO 4K OHM 5% 3W
R837-R841	383-022823-60(4)	23-2228232-00-00	RES MO 0.22 OHM 5% 1/2W
ICS			
U8101	507-705532-01(7)	27-7055320-18-14	
<u>SECONDARY BOARD</u>			
PCB ASSEMBLY	800-SEBD73-20	/	Secondary Board Assembly
CAPACITORS			
C801-C804	130-124072-00(1)	22-3123072-00-41	CAP ELEC LP 12000uF 80V 20% RAD
DIODES			
D801,D802	305-512540-04(5)	20-5125401-50-47	BRIDGE RECTIFIER 25A 400V BR254W BR-25W
<u>S-VIDEO BOARD</u>			
PCB ASSEMBLY	800-SVBD73-20	/	S-Video Board Assembly
CAPACITORS			
C4101-C4107,C4109-C4111,C4113- C4115,C4117-C4120,C4153,C4157	130-227052-04(9)	22-3226052-00-43	CAP ELEC SS 2.2uF 50V 20% 85C
C4108,C4112,C4116,C4156	130-472012-02(7)	22-3471012-00-28	CAP ELEC GR 470uF 10V 20% 85C
C4123,C4124	130-222012-03(9)	22-3221012-00-43	CAP ELEC SS 220uF 10V 20% 85C
C4134,C4145,C4149,C4158	130-102012-03(7)	22-3101012-00-43	CAP ELEC SS 100uF 10V 20% 85C
C4136,C4146	106-247076-04(9)	22-4247402-00-31	CAP MPF 0.47uF 63V 5% DMF 5 SERIES

Reference No.	SCM.	Part No.	Description
C4137,C4133,C4141 C4138	130-107052-03(6) 118-200078-00(2)	22-3106052-00-43 22-7200210-00-09	CAP ELEC SS 1uF 50V 20% 85C CAP TRIMMER 20pF 20% SEALED HORI. PITCH=5mm
C4144 C4150 C4151	130-108052-01(9) 130-471022-03(1) 130-101022-02(8)	22-3107052-00-43 22-3470022-00-43 22-3100022-00-43	CAP ELEC SS 0.1uF 50V 20% 85C CAP ELEC SS 47uF 16V 20% 85C CAP ELEC SS 10uF 16V 20% 85C
DIODES D4101-D4107 D4108,D4109	300-000000-08(2) 303-385190-00(9)	20-0000000-00-62 20-3851902-00-05	DIODE SW 4NS DO35 1N4148 DIODE ZENER BZX79 5.1V 1/2W 5%
INDUCTORS L4101 L4102	152-056910-03(7) 152-022010-02(1)	24-0569107-00-28 24-0220107-00-28	IND CHOKE 5.6uH 10% IND CHOKE 22uH 10%
DIN JACKS M411-M418	266-411030-01(9)	34-4110300-00-60	DIN JACK 1 BLACK PCB MOUNT MD-113
TRANSISTORS Q4101,Q4103,Q4122,Q4131 Q4102 Q4107-Q4112,Q4116-Q4119 Q4113,Q4114,Q4121,Q4124,Q4125, Q4128,Q4130,Q4133 Q4115,Q4126,Q4127 Q4120,Q4123 Q4132	339-000012-00(2) 339-000045-00(2) 339-010037-00(6) 339-000036-00(3) 339-000039-00(9) 339-000038-00(1) 339-000001-01(6)	21-0000120-70-14 21-0000450-70-14 21-0100370-70-14 21-0000360-00-00 21-0000390-70-14 21-0000380-70-14 21-0000010-00-46	XTR SS NPN HFE 68 30MHz SPT DTC144ESATP XTR SS NPN 68 250MHz SPT DTA144ESATP XTR SS PNP HFE 270-560 140MHz 2SA933ASTPS XTR SS NPN HFE200-700 30MHz 2SC2878A XTR SS NPN HFE270-560 180MHz 2SC1740STPS XTR SS NPN HFE20 250MHz DTC123ESATP XTR SS NPN HEF 100 200MHz TO-92 C1815Y
SLIDE SWITCH S4101	182-410220-02(3)	35-4102209-00-67	SW SLIDE 2P2T RIGHT L=9
ICS U4101 U4102,U4103 U4104	505-557476-00(8) 505-507625-00(2) 500-054066-04(4)	27-5574763-21-02 27-5076250-21-23 27-0540660-00-94	IC OSD DIP30SD LC74763-9012 IC AV SWITCH DIP BA7625 IC LOGIC ANALOG PDIL CD4066B
CRYSTALS X4101 X4102	290-514320-01(2) 290-517720-01(5)	28-5143200-06-19 28-5177200-06-19	CRYSTAL 14.318MHz 30ppm 32pF HC-49S CRYSTAL 17.73447MHz 20ppm 30pF HC-49S
TRIGGER BOARD PCB ASSEMBLY	800-TRBD73-20	/	Trigger Board Assembly
DIODES D351-D353 D354-D362,D363-D365	303-385190-00(9) 301-100110-10(3)	20-3851902-00-05 20-1001102-20-26	DIODE ZENER BZX79 5.1V 1/2W 5% DIODE RECT 1A/1000V DO41 WIN4007
PHONE JACKS M351-M357 M358,M359	270-431030-01(6) 262-300002-00(1)	34-4310300-00-60 34-3000020-00-00	PHONE JACK 1 BLACK PCB MOUNT 3.5mm RIGHT ST-030-07 PCB TERMINAL PCB-2

<u>Reference No.</u>	<u>SCM.</u>	<u>Part No.</u>	<u>Description</u>
TRANSISTORS Q351,Q352	339-000038-00(1)	21-0000380-70-14	XTR SS NPN HFE20 250MHz DTC123ESATP
RESISTOR S351	182-410220-02(3)	35-4102209-00-67	SW SLIDE 2P2T RIGHT L=9 JSK022N09-G09
ICS U3501,U3502 U352	503-000317-00(2) 503-300120-03(7)	27-3031701-07-85 27-3001201-07-85	I.C. REG 0.1A TO-92 AZ317LZ IC VOLT REG 12V 0.1A TO-92 LM78L12
<u>VIDEO-6 BOARD</u> PCB ASSEMBLY	800-V6BD73-20	/	Video-6 Board Assembly
CAPACITORS C4401-C4403	130-227052-04(9)	22-3226052-00-43	CAP ELEC SS 2.2uF 50V 20% 85C
JACKS J4401 M4401 M4402 M4403 M4404	270-451030-14(8) 265-401000-01(9) 266-411030-01(9) 265-401020-01(5) 265-401010-01(7)	34-4510302-01-80 34-4010000-01-60 34-4110300-00-60 34-4010200-01-60 34-4010100-01-60	PHONE JACK D6.3 1 PCB MOUNT GOLD RCA JACK 1 YELLOW PCB MOUNT GOLD DIN JACK 1 BLACK PCB MOUNT RCA 1 WHITE PCB MOUNT GOLD RCA JACK 1 RED PCB MOUT GOLD
<u>COMPOSITE VIDEO BOARD</u> PCB ASSEMBLY	800-VEBD73-20	/	Composite Video Board Assembly
CAPACITORS C4201-C4203,C4205,C4207,C4209, C4210,C4216,C4217 C4204,C4206,C4208,C4211,C4218	130-227052-04(9) 130-472012-02(7)	22-3226052-00-43 22-3471012-00-28	CAP ELEC SS 2.2uF 50V 20% 85C CAP ELEC GR 470uF 10V 20% 85C
DIODES D4201,D4202	303-385190-00(9)	20-3851902-00-05	DIODE ZENER BZX79 5.1V 1/2W 5%
RESISTORS SMD J4201,J4202	390-000036-20(9)	44-0000027-11-00	RES SMD 0 OHM 5% 1/10W 0805 TAPE
RCA JACKS M421,M422 M423	265-404002-00(3) 265-401000-00(8)	34-4040020-00-60 34-4010000-00-60	RCA JACK 4 Y-Y/Y-Y PCB MOUNT GOLD RCA 1 Y PCB MOUNT GOLD
TRANSISTORS Q4201-Q4203,Q4207-Q4208 Q4204,Q4206 Q4205	339-010037-00(6) 339-000012-00(2) 339-000045-00(2)	21-0100370-70-14 21-0000120-70-14 21-0000450-70-14	XTR SS PNP HFE 270-560 140MHz 2SA933ASTPS XTR SS NPN HFE 68 30MHz SPT DTC144ESATP XTR SS NPN 68 250MHz SPT DTA144ESATP
ICS U4201 U4202,U4203	500-054066-04(4) 505-507625-00(2)	27-0540660-00-94 27-5076250-21-23	IC LOGIC ANALOG PDIL CD4066B IC AV SWITCH DIP BA7625

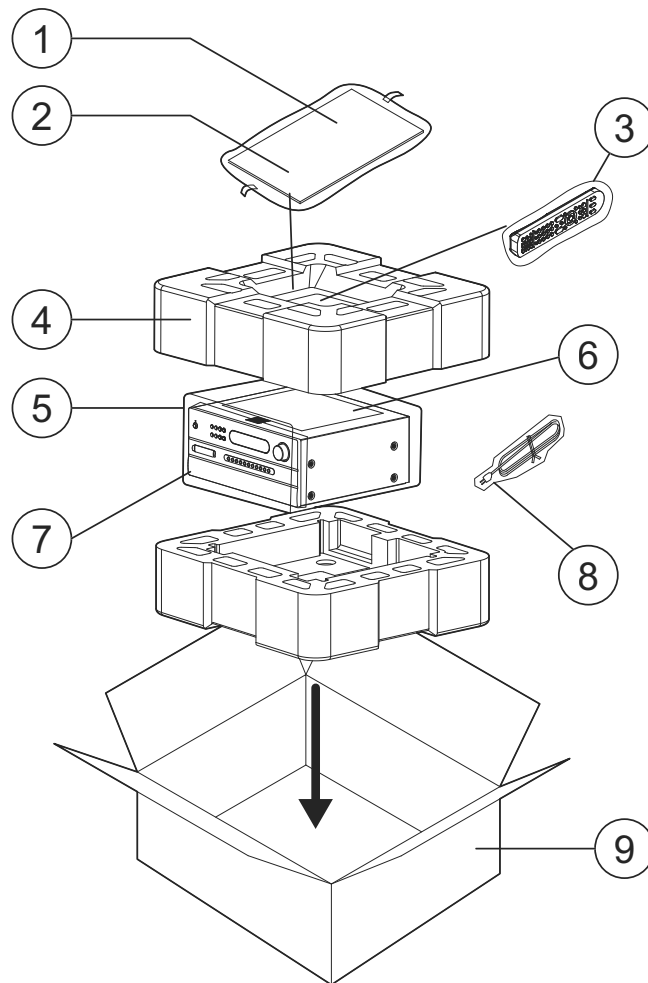
NOTE: THE COMPONENTS IDENTIFIED BY ⚠ MARK ARE CRITICAL FOR RISK OF FIRE AND ELECTRICAL SHOCK. REPLACE ONLY WITH PART NUMBER SPECIFIED.

<AH > : USA, CANADIAN MODEL ONLY.

<C > : EUROPEAN MODEL ONLY.

RESISTORS: MO-METAL OXIDE, RN-CERAMIC CASE, MF-METAL FILM.

PACKING DIAGRAM & PARTS LIST



<u>Item</u>	<u>SCM.</u>	<u>Part No.</u>	<u>Description</u>	<u>Qty.</u>
1	906-020000-05(7)	64-0200001-01-00	POLYBAG MANUAL	1
2	210-002020-02(2)	37-0020200-00-79	BATTERY AAA 1.5V ER03X	4
	173-640752-00(6)	31-6407520-00-98	FM WIRE ANTENNA L=2700mm	1
	212-024030-00(2)	37-0240300-00-81	BATTERY LITHIUM BUTTON CELL CR2025 3V	1
	222-647280-00(1)	31-6472801-00-28	ANTENNA AM LOOP ASSY W/STAND	1
	223-076200-00(8)	83-0762000-00-04	REMOTE CONTROLLER NAD ZR-2	1
	277-008100-02(8)	34-0081004-00-67	ANTENNA ADAPTER 300 TO 75 OHM	1
	903-077300-09(6)	/	T773 OWNERS MANUAL GB/F/D/NL W/WEEE	1
	904-075200-00(1)	65-0752000-00-98	CARD WARRANTY	1
3	223-075200-03(6)	/	REMOTE CONTROLLER NAD HTR-2A	1
4	901-077300-01(3)	63-0773001-00-01	POLYFOAM TOP/BOTTOM	2
5	906-076200-01(2)	64-0762001-00-00	POLYBAG T762 W/SILKSCREEN	1
6	904-075207-00(3)	65-0752070-00-99	A3 WHITE PAPER 80G	1
7	906-077300-01(4)	64-0773001-00-00	PROTECTIVE COVER	1
8*AH	234-288101-00(6)	36-2881010-07-15	AC CORD 110V 3PINS 125V/13A SJT AWG16/3C UL/CSA L=2M	1
*C	234-298311-00(2)	36-2983110-07-15	AC CORD CE 3 PINS 16A 250V LF L=67 INCH LP-34 H05VV-F 3C LS- 60	1
9	911-077300-01(4)	67-0773000-11-99	MASTER CARTON BOX T773 R.1	1

NOTE: THE COMPONENTS IDENTIFIED BY MARK ARE CRITICAL FOR RISK OF FIRE AND ELECTRICAL SHOCK. REPLACE ONLY WITH PART NUMBER SPECIFIED.

<*AH > : USA, CANADIAN MODEL ONLY.

<*C > : EUROPEAN MODEL ONLY.

SERVICE MANUAL

T 773

AV Receiver (Phase II)