

SERVICE MANUAL



T977 C/AH
SEVEN CHANNEL AMPLIFIER

T977 C/AH

SEVEN CHANNEL AMPLIFIER

CONTENTS

FRONT PANEL/REAR PANEL VIEW.....	3
SPECIFICATIONS.....	4
ALIGNMENT PROCEDURE/ALIGNMENT POINTS.....	5-6
WIRING DIAGRAM.....	7
SCHEMATIC DIAGRAM.....	8-15
PCB LAYOUT.....	16-21
ELECTRICAL PARTS LIST.....	22-37
EXPLODED VIEW.....	38
EXPLODED VIEW PARTS LIST.....	39
PACKING DIAGRAM.....	40

SERVICE SAFETY PRECAUTIONS

1. Replacing the Fuses

CAUTION: FOR CONTINUED PROTECTION AGAINST THE RISK OF FIRE REPLACE ONLY WITH SAME TYPE OF FUSE.

REFERENCE NO.	PART NUMBER	DESCRIPTION
Rear Panel		
AH ▲	20-11203-10	MDA T20AL/250V
C ▲	20-12103-20	MDA T10AL/250V
AMP Board		
F101/F102 ▲	20-12632-00	T6.3AL/250V
PSU Board		
F201-F204 ▲	20-12162-01	T1.6AL/250V

NOTE:

*AH : North American version only

*C : European version only

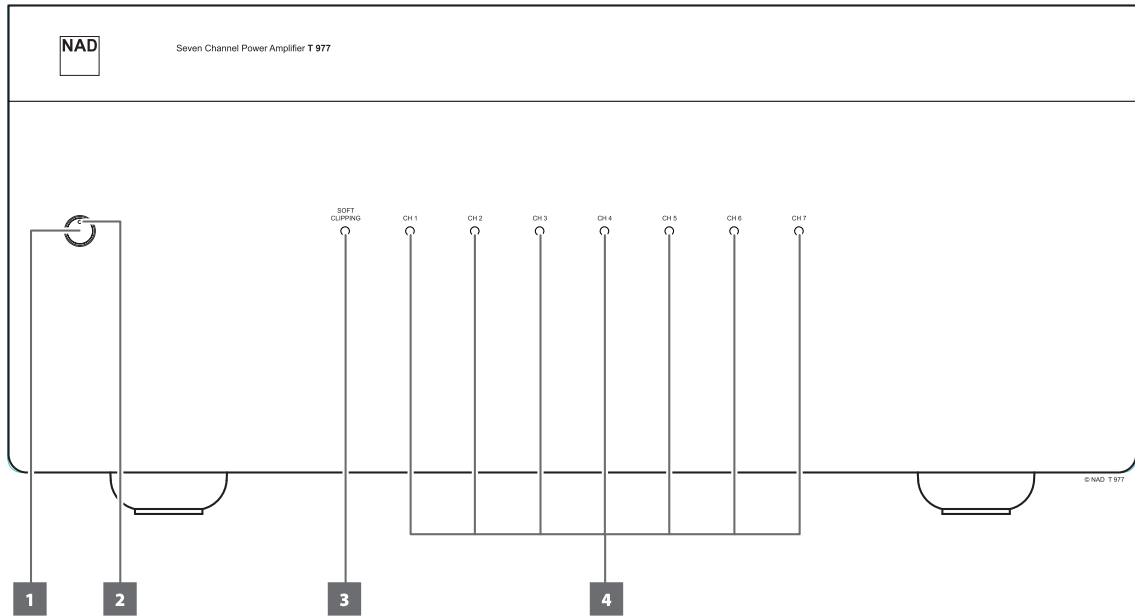
2. Safety-check out (North American model only)

Before returning the product to the customer, make leakage current or resistance measurements to determine that exposed parts are acceptably insulated from the supply circuit.

Parts marked with the symbol ▲ are critical with regard to the risk of fire and electric shock. Replace only parts recommended by the manufacturer.

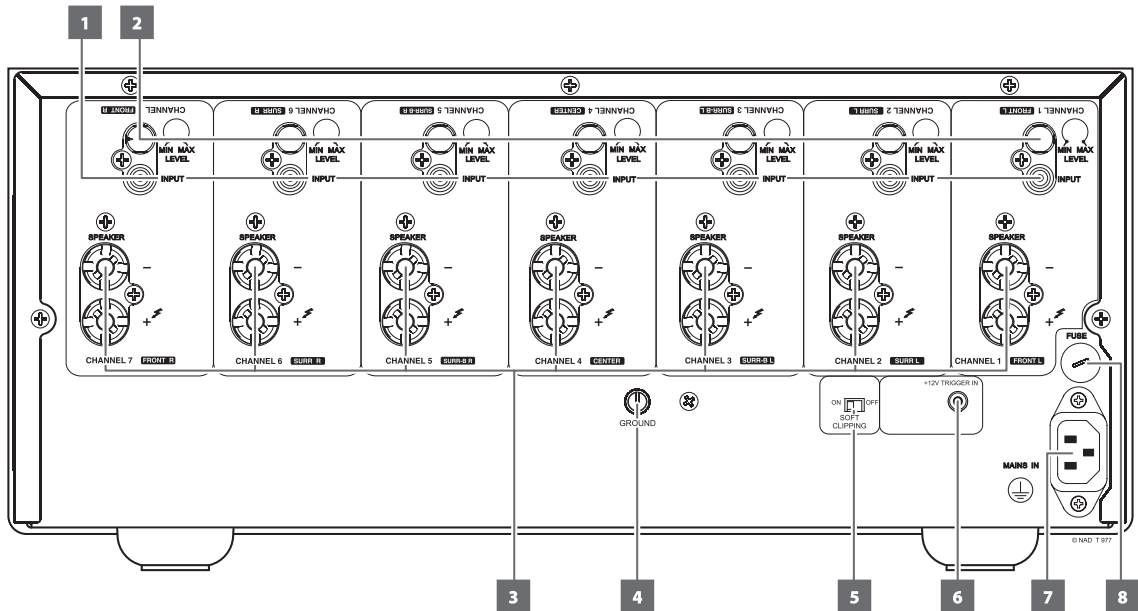
FRONT PANEL / REAR PANEL VIEW

FRONT PANEL CONTROLS



- | | |
|-------------------------|----------------------------------|
| 1 STANDBY BUTTON | 3 SOFT CLIPPING INDICATOR |
| 2 STANDBY LED | 4 CHANNEL STATUS LED |

REAR PANEL CONTROLS



- | | |
|------------------------------|--------------------------|
| 1 INPUT | 5 SOFT CLIPPING |
| 2 INPUT LEVEL CONTROL | 6 +12V TRIGGER IN |
| 3 SPEAKER | 7 FUSE HOLDER |
| 4 GROUND TERMINAL | 8 AC MAINS INPUT |

SPECIFICATIONS

CONTINUOUS AVERAGE POWER OUTPUT INTO 8 OHMS OR 4 OHMS (Min. power per channel, 20 Hz – 20 kHz, both channels driven, with no more than rated distortion)	≥140 W (21.5 dBW)
Rated Distortion (THD 20 Hz – 20 kHz)	≤0.03%
Clipping power (maximum continuous power per channel).	≥170 W(22.3 dBW)
IHF dynamic power (Maximum short term power per channel)	
8 ohms:	≥230 W (23.6 dBW)
4 ohms:	≥390 W (25.9 dBW)
2 ohms:	≥450 W (26.5 dBW)
Time to go to Standby mode at no input signal	≤ 30 minutes
Damping factor (ref. 8 ohms 50Hz)	>300
Input Impedance	R = 1 Mohms C = 180 pF
Input sensitivity (for rated output into 8 ohms)	1180mV+/-50mV
Voltage gain	29 dB
Frequency response 20 Hz – 20 kHz	±0.2 dB - 3dB at 3 Hz/100 kHz
Signal / Noise ratio, A-weighted	>96 dB ref. 1 W >125 dB ref. 140W

DIMENSIONS AND WEIGHTS

Net Weight	32.3 kg (71.2 lb)
Shipping Weight	36.5 kg (80.5 lb)
Dimension (W×H×D)	435 × 194 × 476mm

ALIGNMENT PROCEDURE (T977)

A. THERMAL SENSE ADJUSTMENT

This adjustment should be always done when the T977 is cool condition. (That means the temperature inside the unit should be almost same as the ambient temperature. Connector P208B that connects the transformer and power board should be removed to avoid that the Idling current heats up the unit excessively) At ambient temperature of 25 C degrees and when the unit is just turned on (still in cool condition), adjust the pot RV103(as marked as “Thermal Sense ADJ” in below drawing) for a voltage between the THERMAL TEST POINT and AGND to be 750mV \pm 10mV. If the ambient temperature is different, the voltage setting should be changed by 20mV per degree difference. So at 20C degrees, the voltage should be 850mV \pm 10mV; and at 30C degrees, the voltage should be 650mV \pm 10mV, etc.

B. DC OFFSET VOLTAGE

The DC OFFSET between OFFSET Test Point and AGND must be within 0 \pm 3mV. If it's found to be out of this range, change the TL084BCD to one selected for low offset voltage to meet the requirement.

C. IDLING CURRENT

The idling current in the output stage of the poweramp should be set to 40mA \pm 10mA per pnp-npn transistor pair(This means the mid point voltage is 17.6mV with down limit of 13.2mV and up limit of 22mV). The alignment procedure is: At first, adjust RV102 (Marked as “Idling Current ADJ” in the drawing below) for a voltage of 17.6mV \pm 1mV between Test point 1 and 2. Then preheat the unit for 5 minutes, let idling current settled and then readjust to 17.6mV \pm 1mV.

Pls note:

1. The idling current must be adjusted when all modules are assembled into the unit.
2. Though the idling current is set as 17.6mV \pm 1mV during the adjustment, due to the influence of varied ambient temperature and mains voltage etc., the idling current will drift after some time. During the normal checking of idling current in the service field, it's acceptable as long as the voltage is in the range of 13.2mV—22.0mV.

D. ISC SENSITIVITY

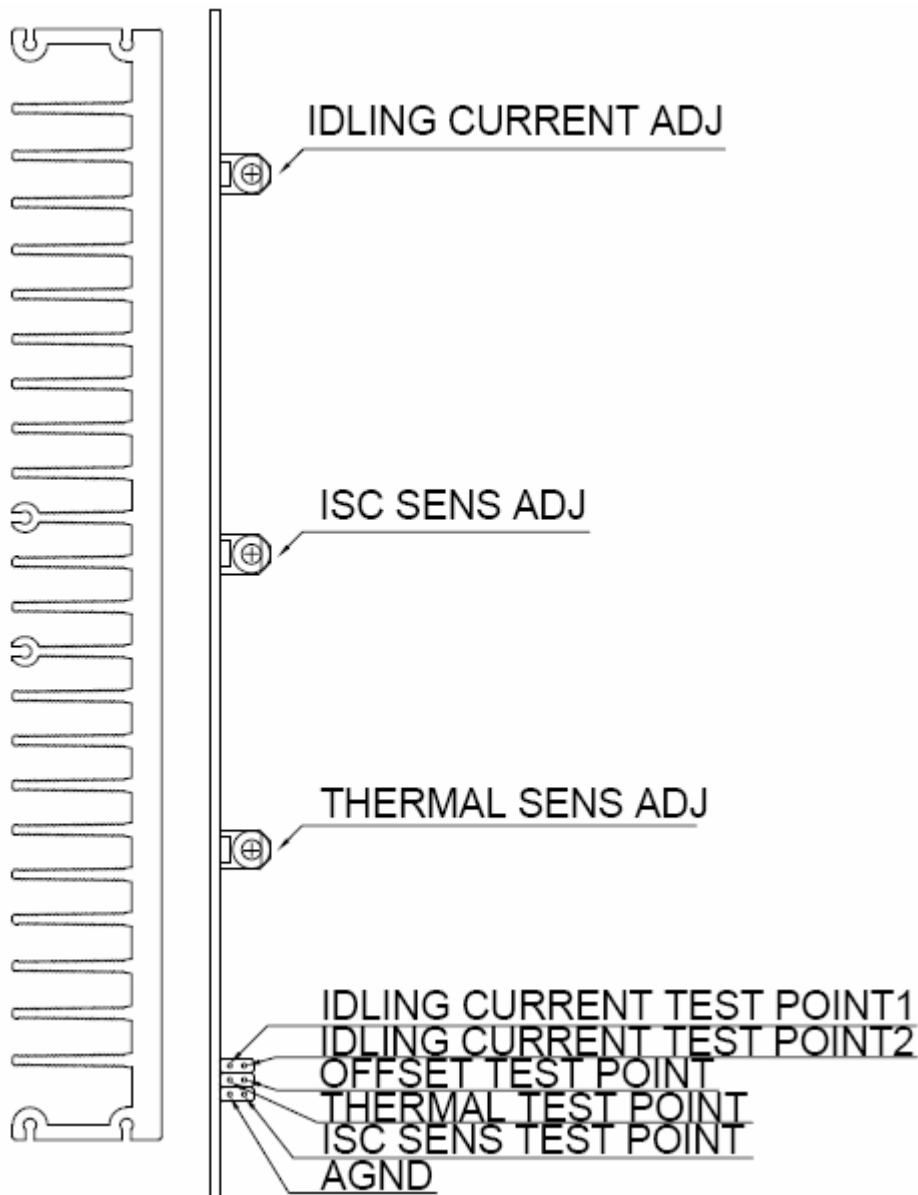
The ISC sensing voltage can allow 0mV \pm 50mV. But, for the alignment process in our factory, we tighten the limit to 0mV \pm 10mV. That is to adjust Pot RV104 (as marked as “ISC SENSE ADJ” in the below drawing) to get a voltage between the “ISC SENSE TEST POINT” and AGND to be 0mV \pm 10mV.

(Pls note the ISC should be adjusted when all modules are plugged in. It's not possible to get 0mV \pm 10mV if any of the modules are removed.)

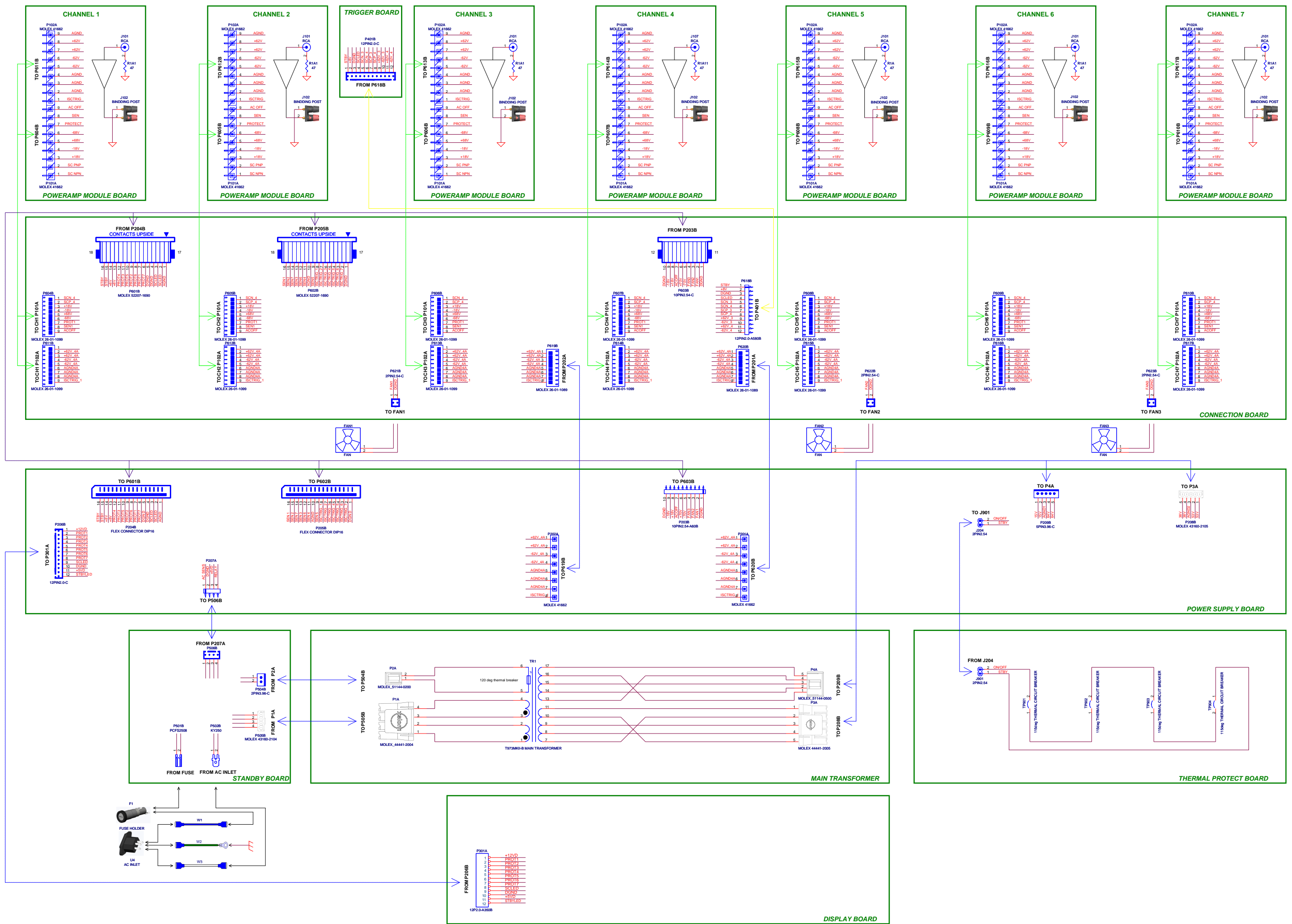
E. Fan Cut Off Point Adjustment

Check the Fan sense voltage first. Turn Pot RV201 to the end clockwise and confirm TP2 of J201 is in negative voltage. Run the unit to heat it up and drive the fan to start turning,

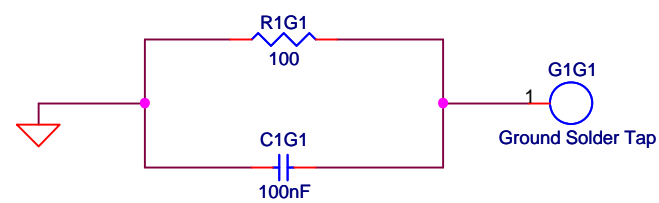
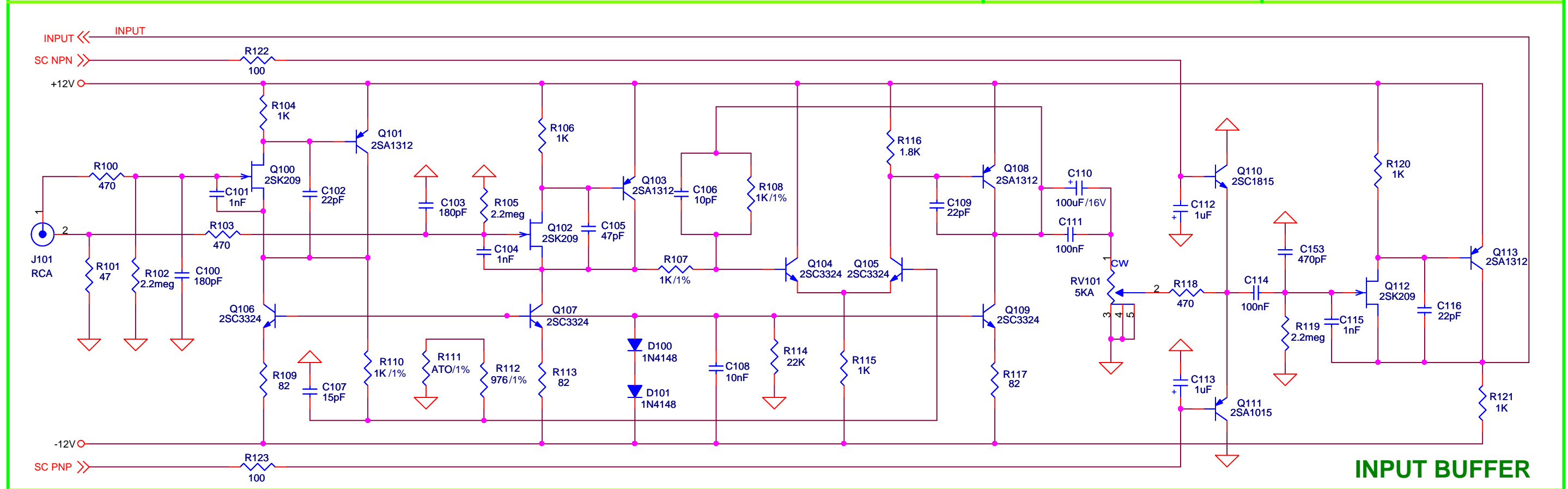
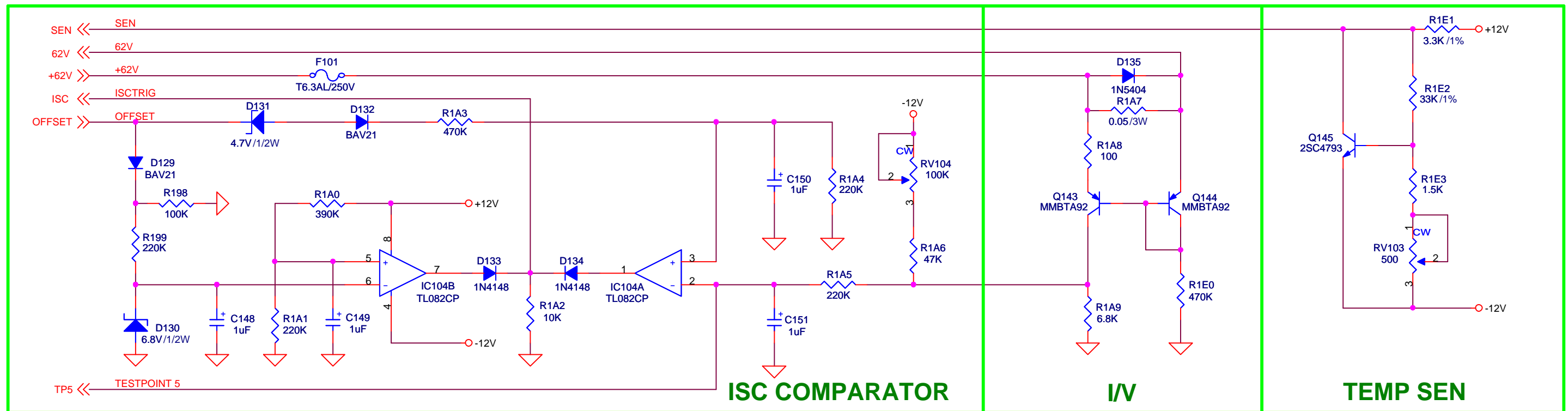
for example, all 7 channels at 50W/4ohms for 10 minutes or 5 minutes or even less (as long as the fan can starts turning). Turn off the signal but still keep the unit operating for 1 minute. Then run all 7 channels at 1kHz, **0.25W** at 4 ohms load, monitor the voltage at TP1 of Pot RV201. Adjust RV201 to get the voltage from negative to positive to ensure that the Fans are turned off. Then run all 7 channels at 1kHz, **0.5W** at 4 ohms load, monitor if the voltage at TP1 of Pot RV201 is negative, if not, adjust Pot RV201 just to the point that TP1 changes from positive to negative (to get the fans just start turning). Finally, turn off the signal and monitor if fans stop turning within about 30s Max."



WIRING DIAGRAM

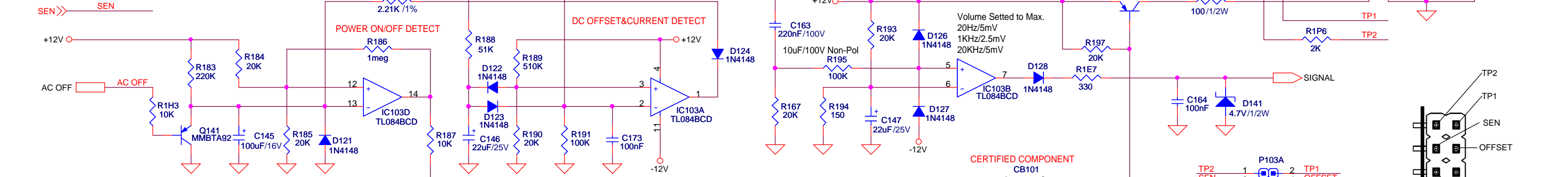
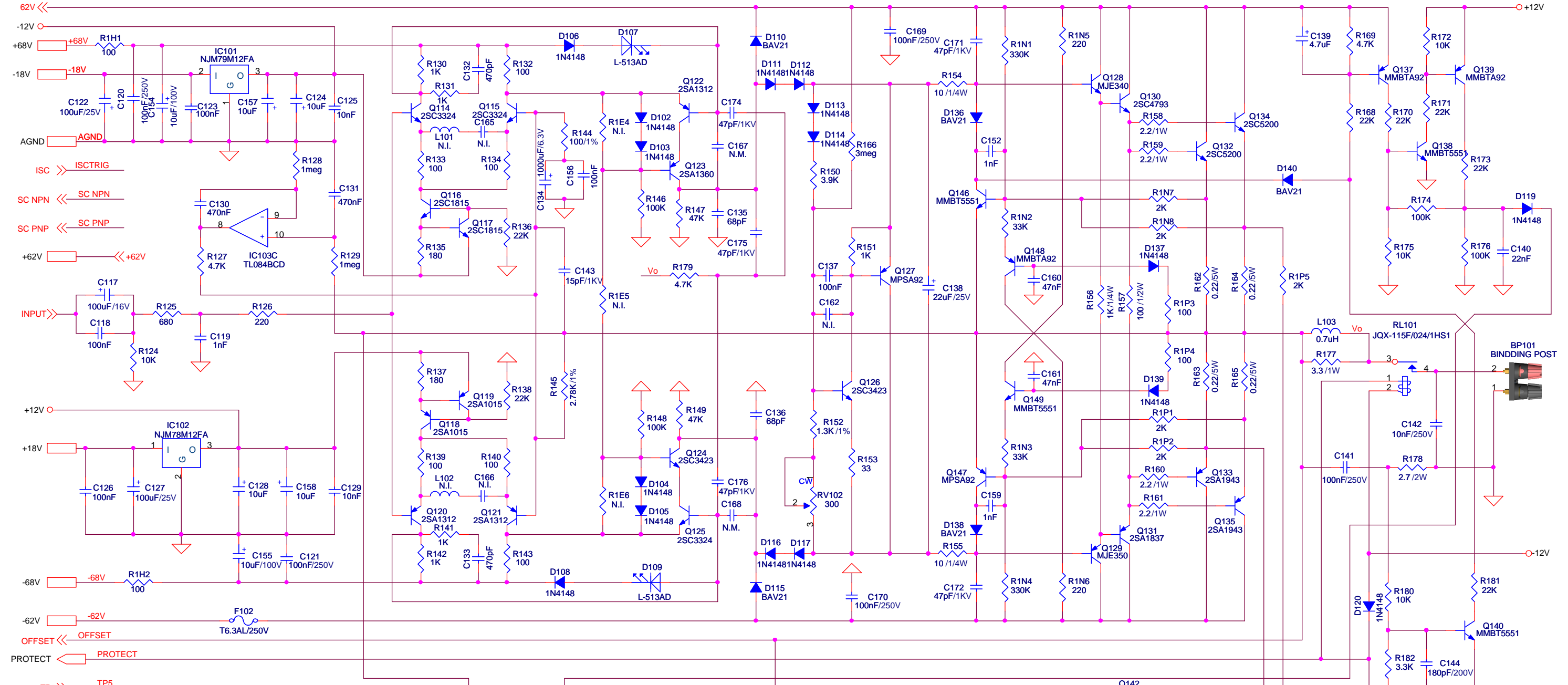


SCHEMATICS DIAGRAM



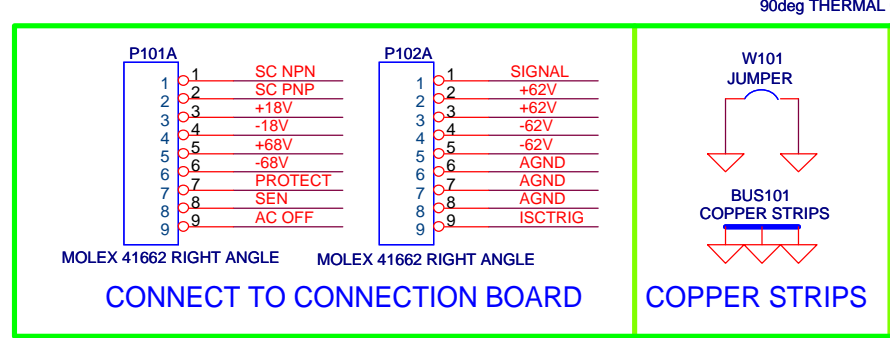
All Polyester capacitors are 63V unless noted.
 All Elec. capacitors are 50V unless noted.
 All Resistor are 1/6W RJ13 unless noted.

SCHEMATICS DIAGRAM



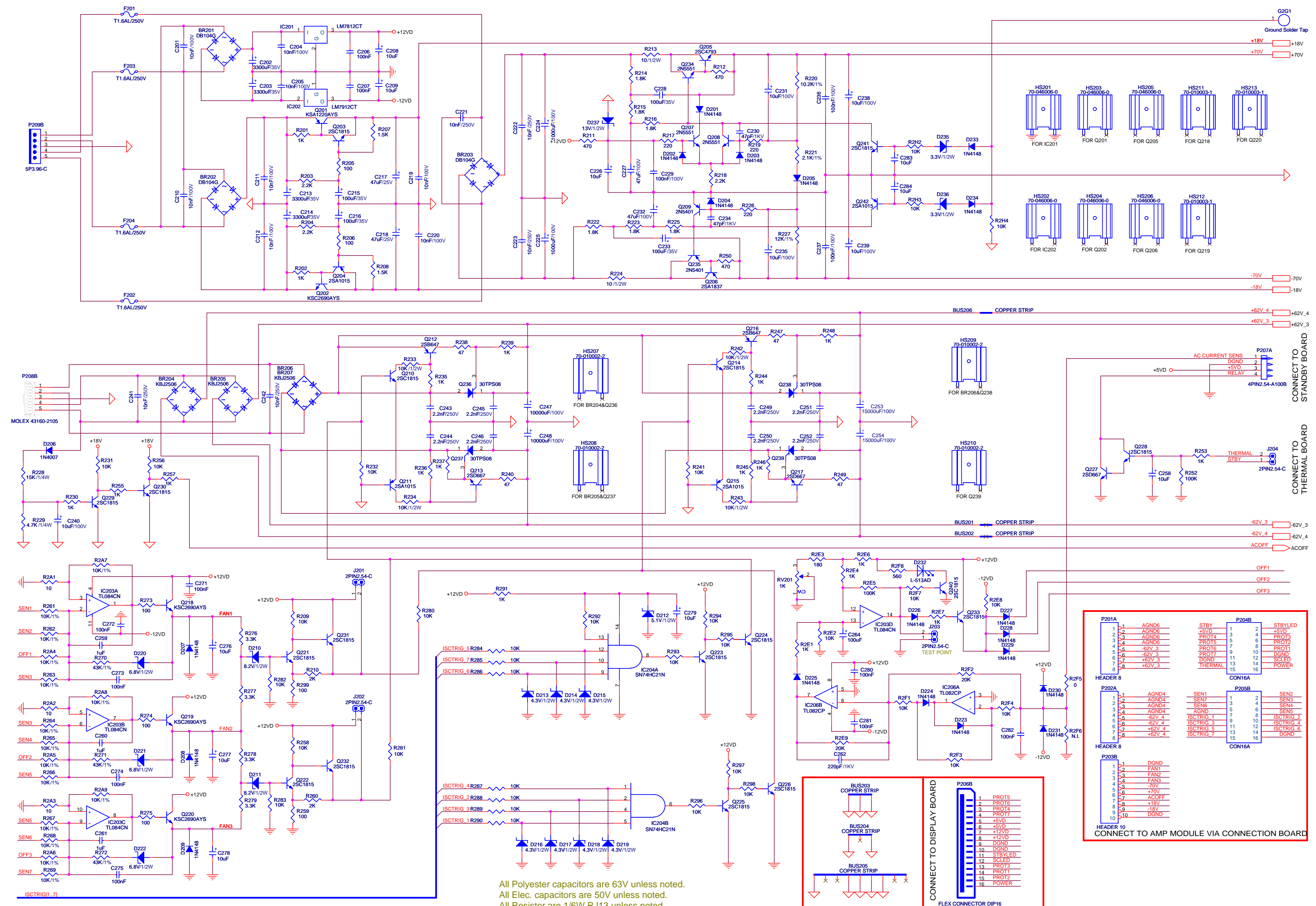
- TO-92: 2SA970, 2N4403, 2SK170
- TO-92: 2N4403, MPSA42, MPSA92
- TO-126: 2SA1360, 2SC3423
- TO-220: 2SA1837, 2SC4793, NJM78M12A, NJM79M12A
- TO-220: 2SA1943, 2SC5200

All Polyester capacitors are 63V unless noted.
 All Elec. capacitors are 50V unless noted.
 All Resistor are 1/6W RJ13 unless noted.

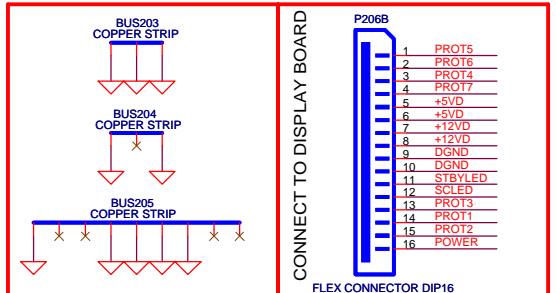
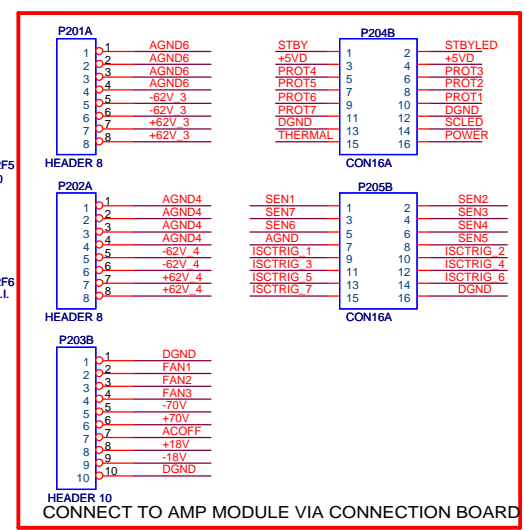


IDLING CURRENT SETTING:
 ADJUST RV102 LET VOLTAGE BETWEEN TP101 AND TP102: 17.6mV
FAN&ISC SENSITIVITY SETTING
 ADJUST RV103 LET VOLTAGE AT SEN PORT: +750mV/25Deg
 RESISTORS ARE CARBON FILM 1/6W UNLESS SPECIFIED

SCHEMATICS DIAGRAM



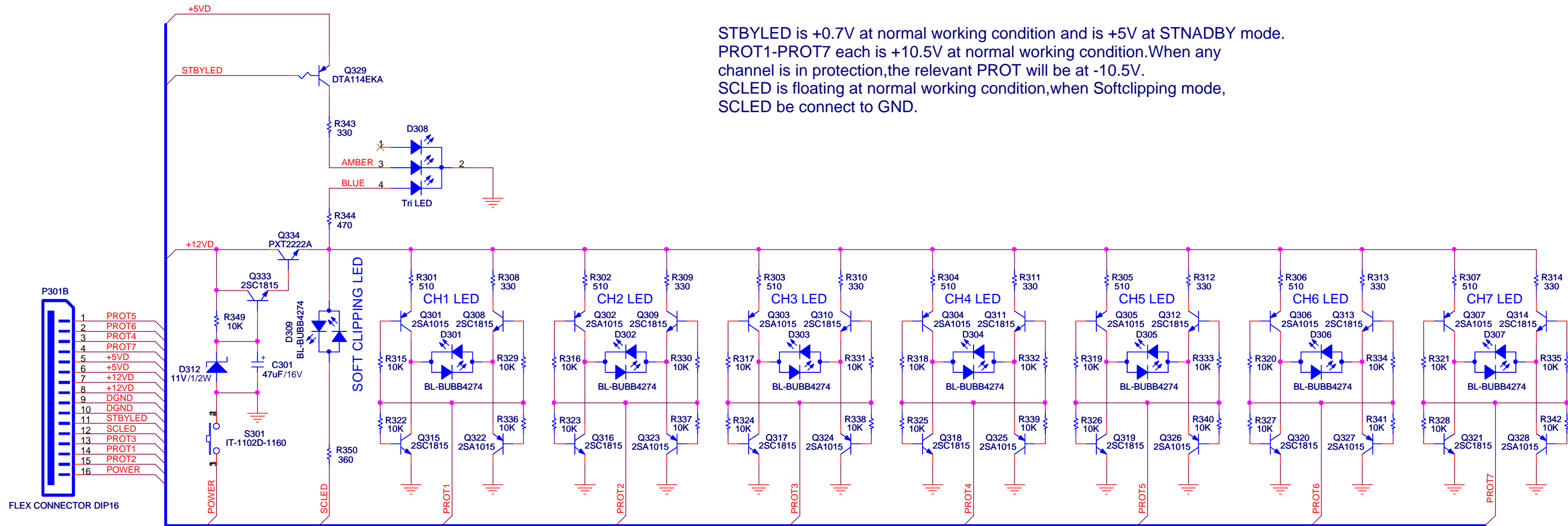
All Polyester capacitors are 63V unless noted.
 All Elec. capacitors are 50V unless noted.
 All Resistor are 1/6W RJ13 unless noted.



SCHEMATICS DIAGRAM

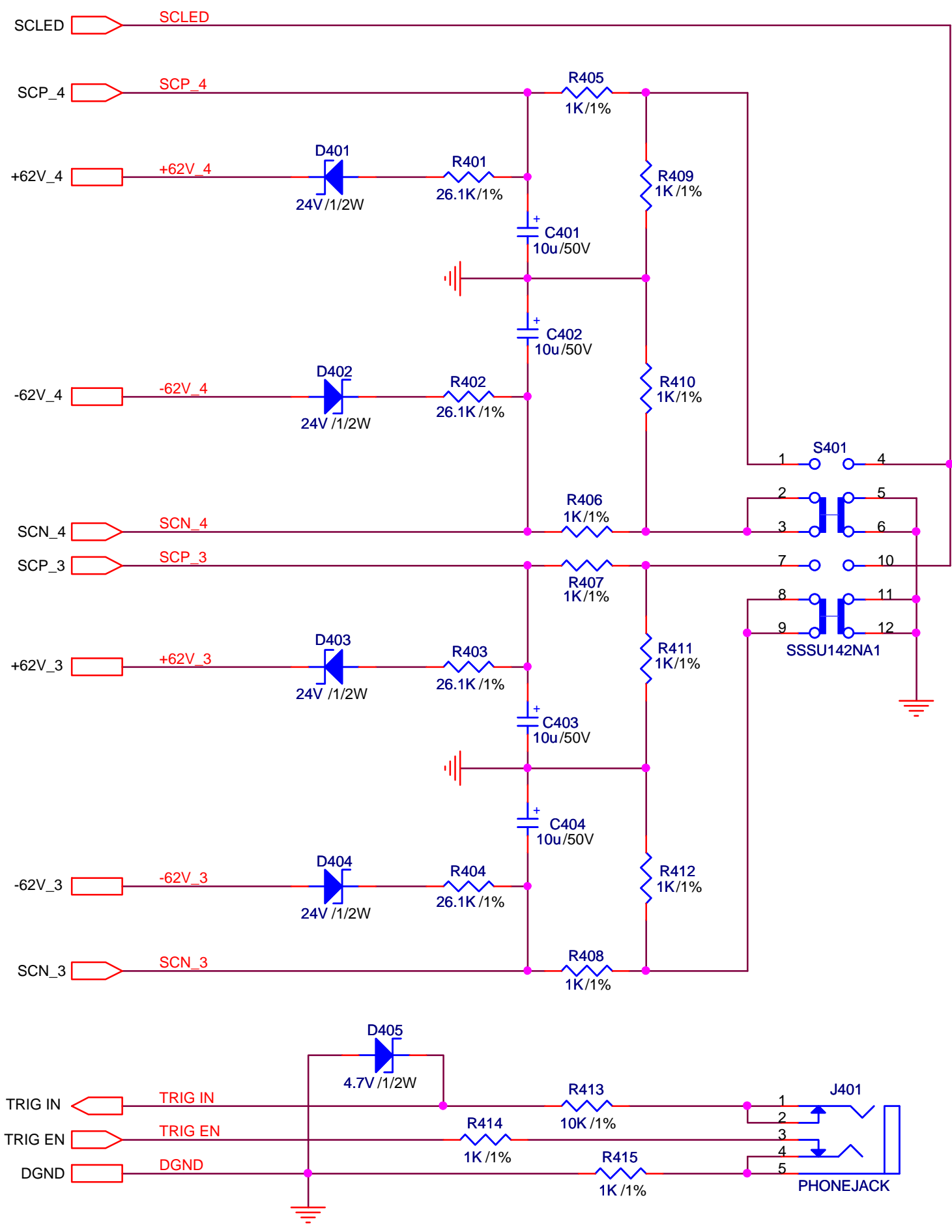
LED Pin1 Red Pin3 Amber Pin4 Blue

STBYLED is +0.7V at normal working condition and is +5V at STNADBY mode.
 PROT1-PROT7 each is +10.5V at normal working condition. When any channel is in protection, the relevant PROT will be at -10.5V.
 SCLED is floating at normal working condition, when Softclipping mode, SCLED be connect to GND.

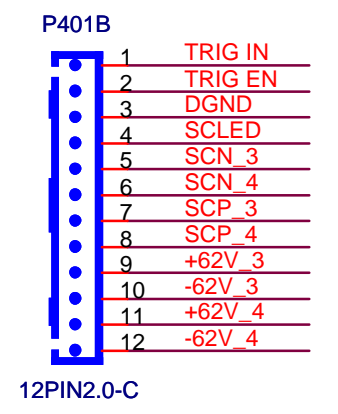


All Polyester capacitors are 63V unless noted.
 All Elec. capacitors are 50V unless noted.
 All Resistor are 1/6W unless noted.

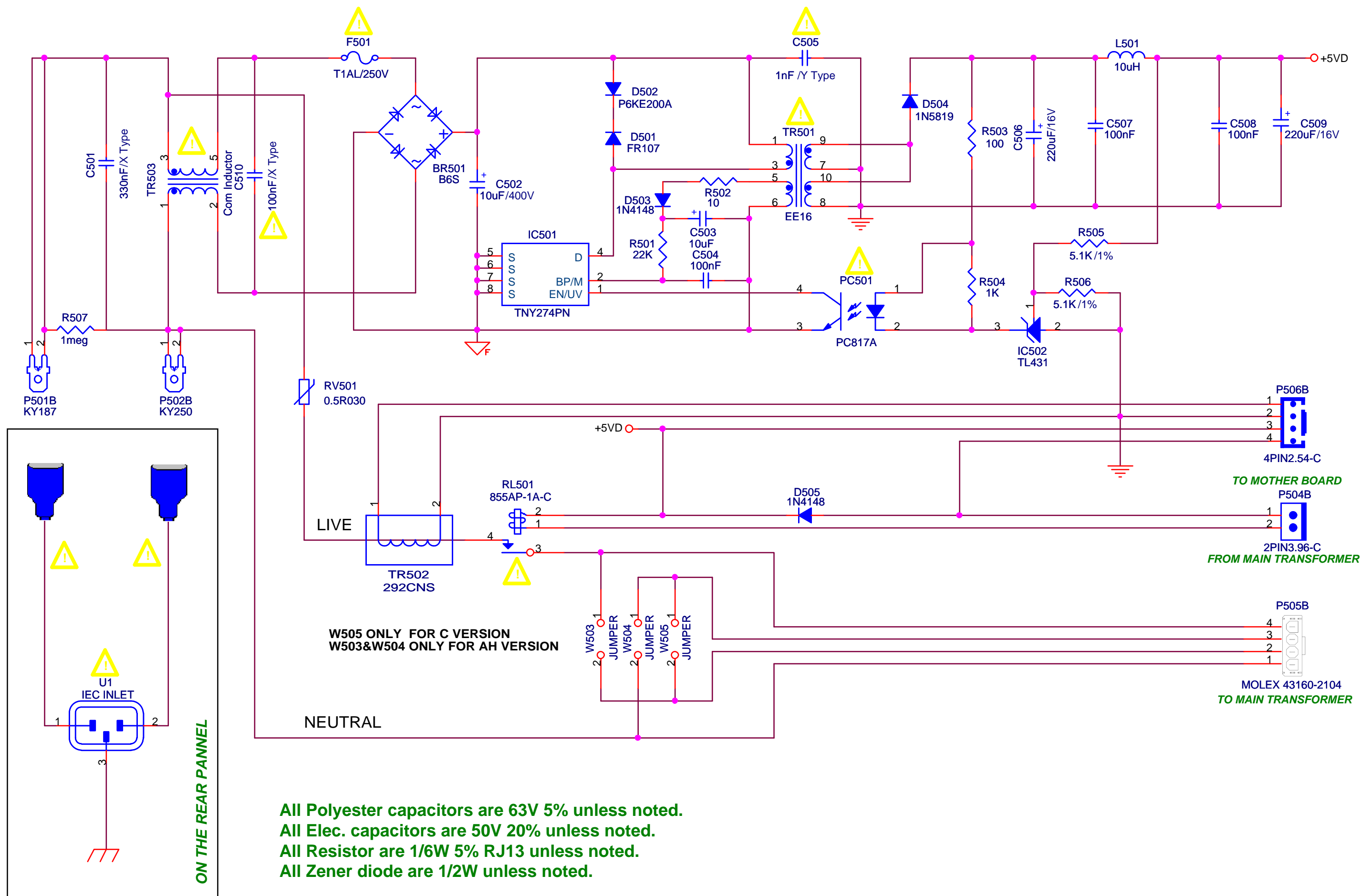
SCHEMATICS DIAGRAM



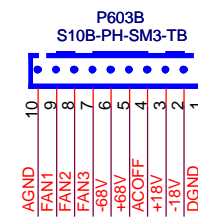
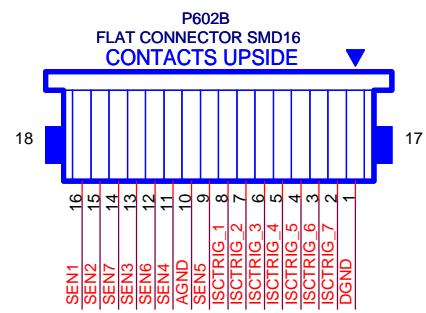
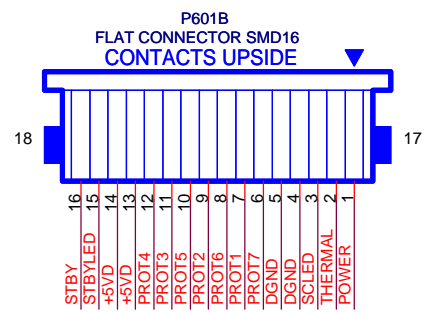
TRIG EN PULL-UP with 47K resistor connect to MCU Port



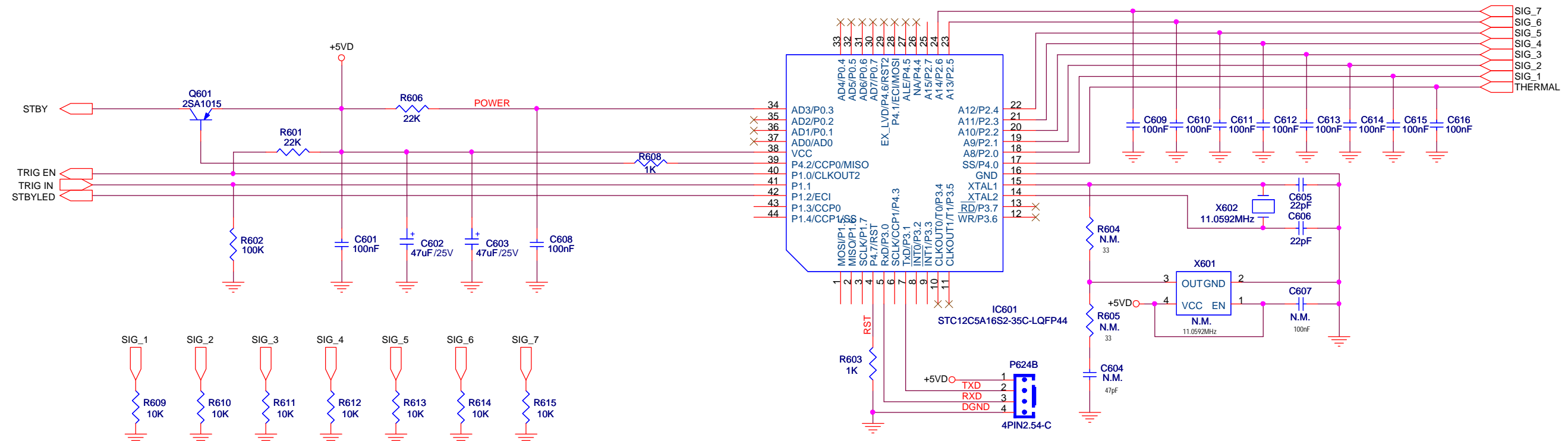
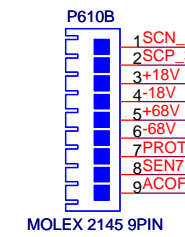
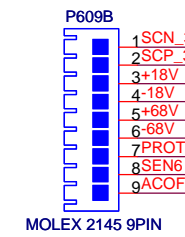
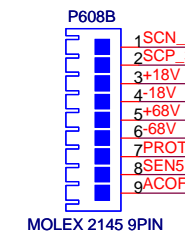
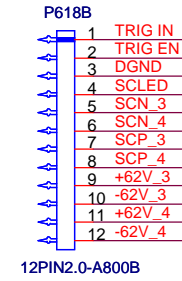
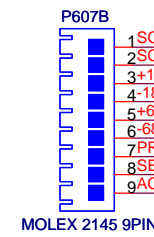
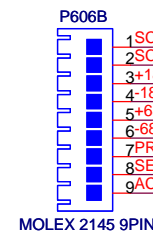
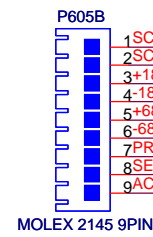
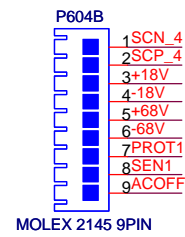
SCHEMATICS DIAGRAM



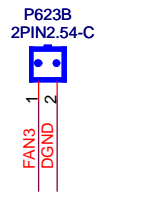
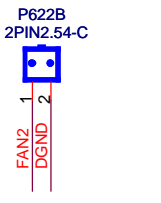
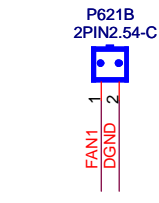
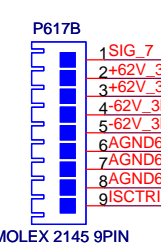
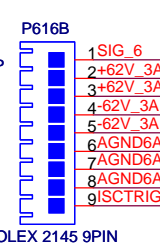
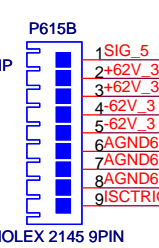
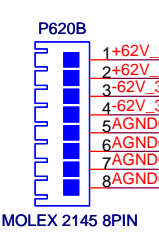
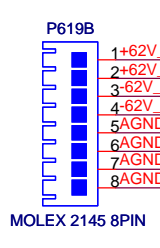
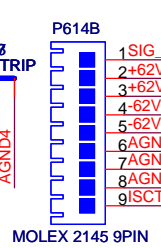
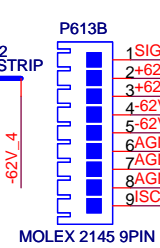
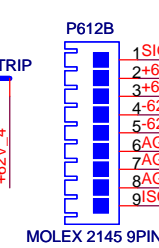
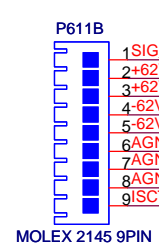
SCHEMATICS DIAGRAM

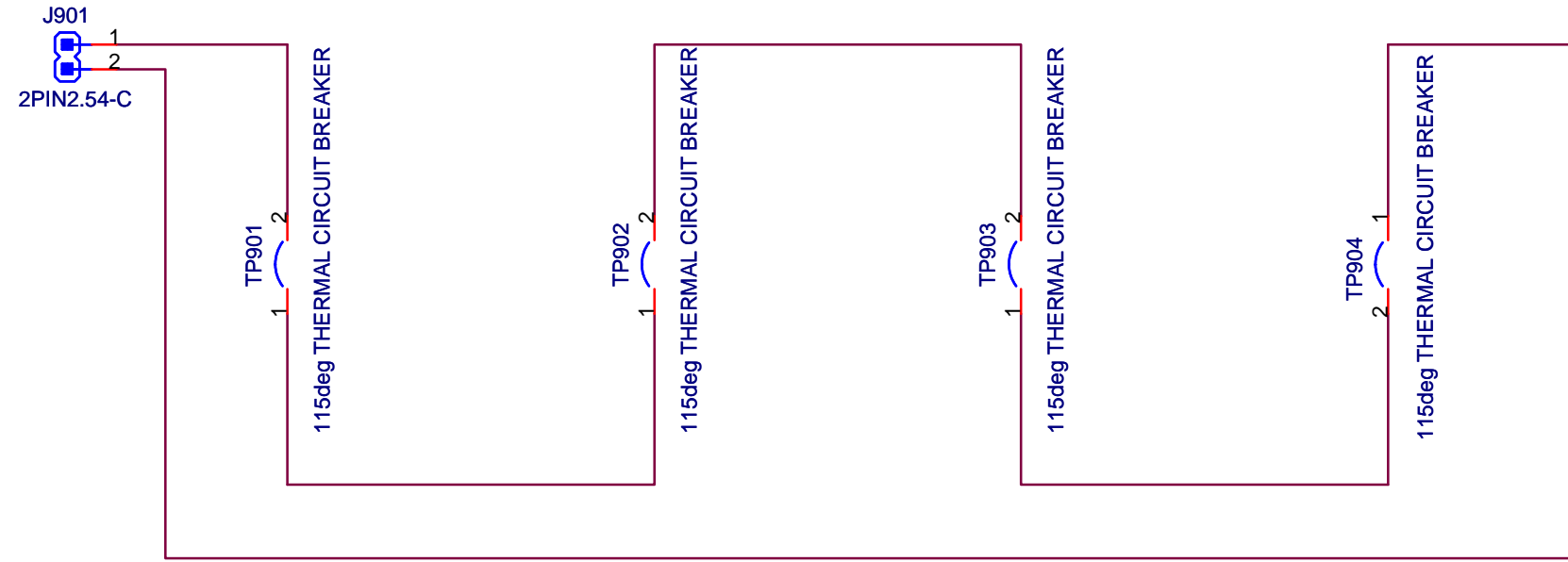


All capacitors are SMD0805 50V unless noted.
All Elec. capacitors are 50V 20% unless noted.
All Resistor are SMD0805 5% unless noted.
All Zener diode are 1/2W unless noted.

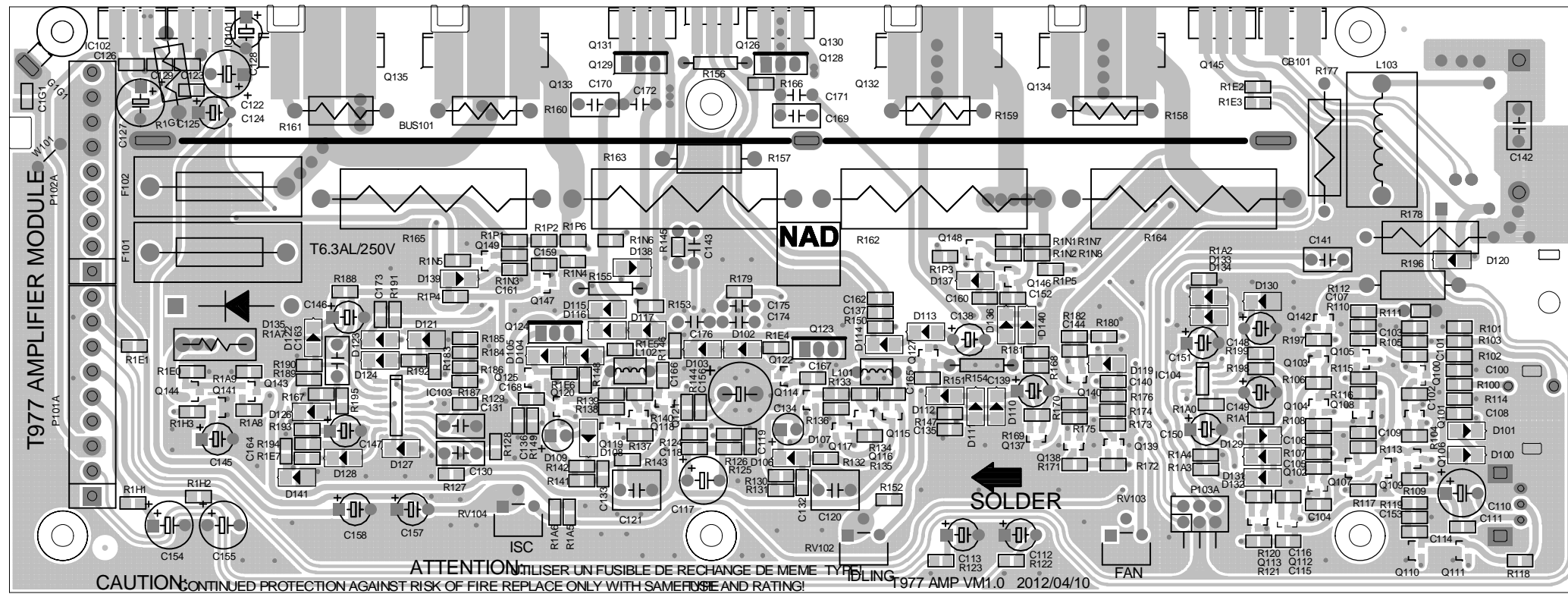


FIRMWARE UPDATE

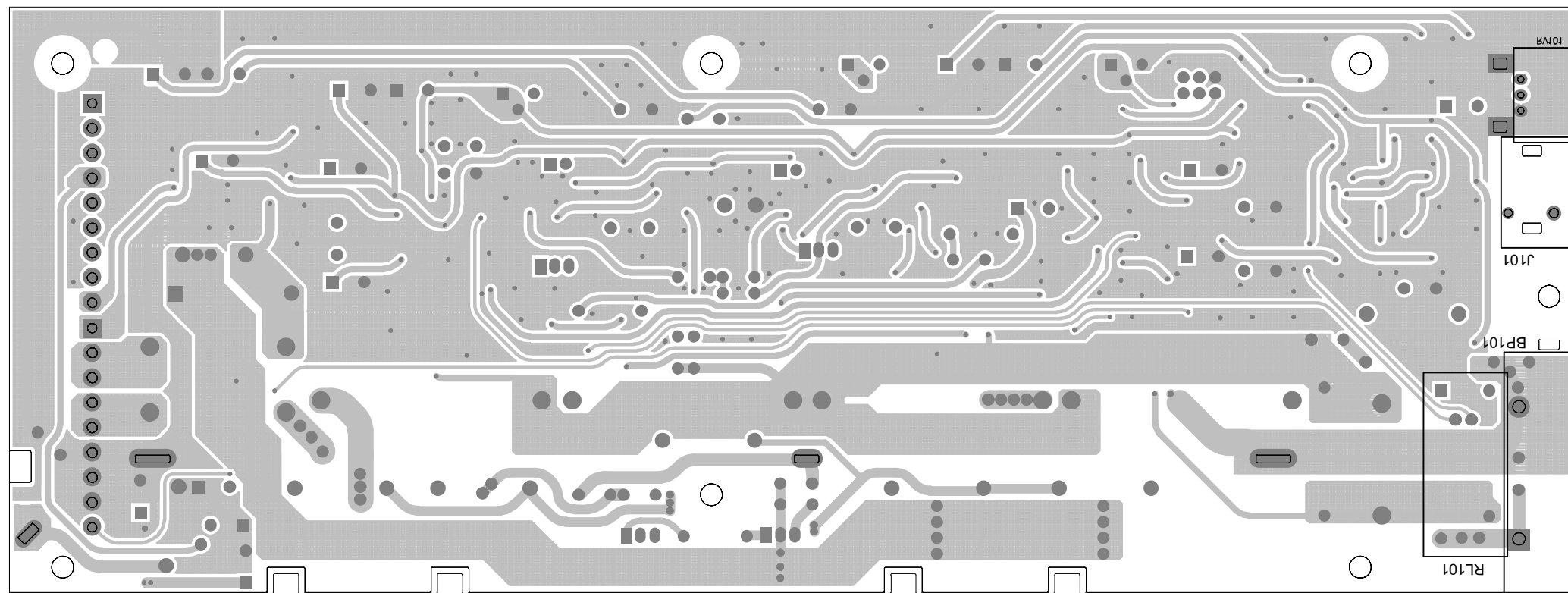




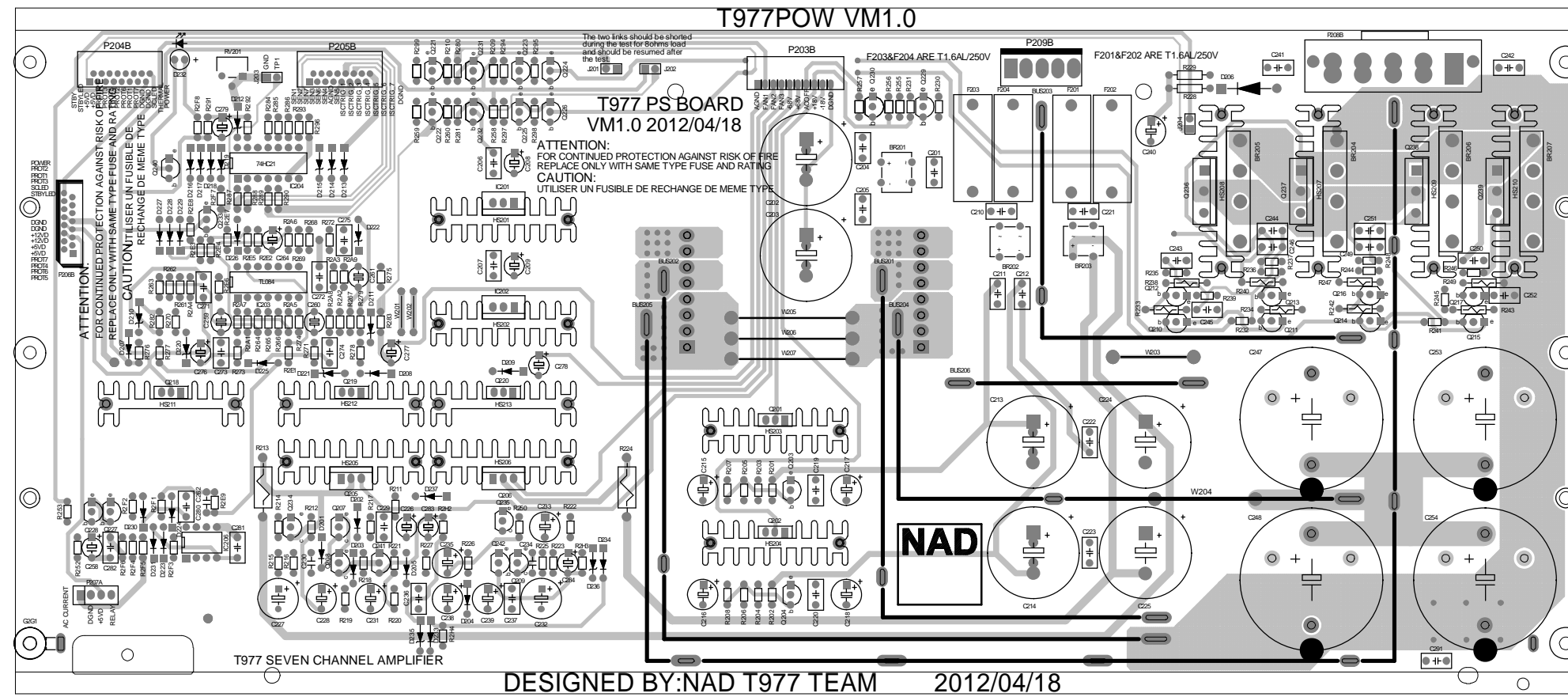
T977 AMP Board Upper - COMPONENT SIDE



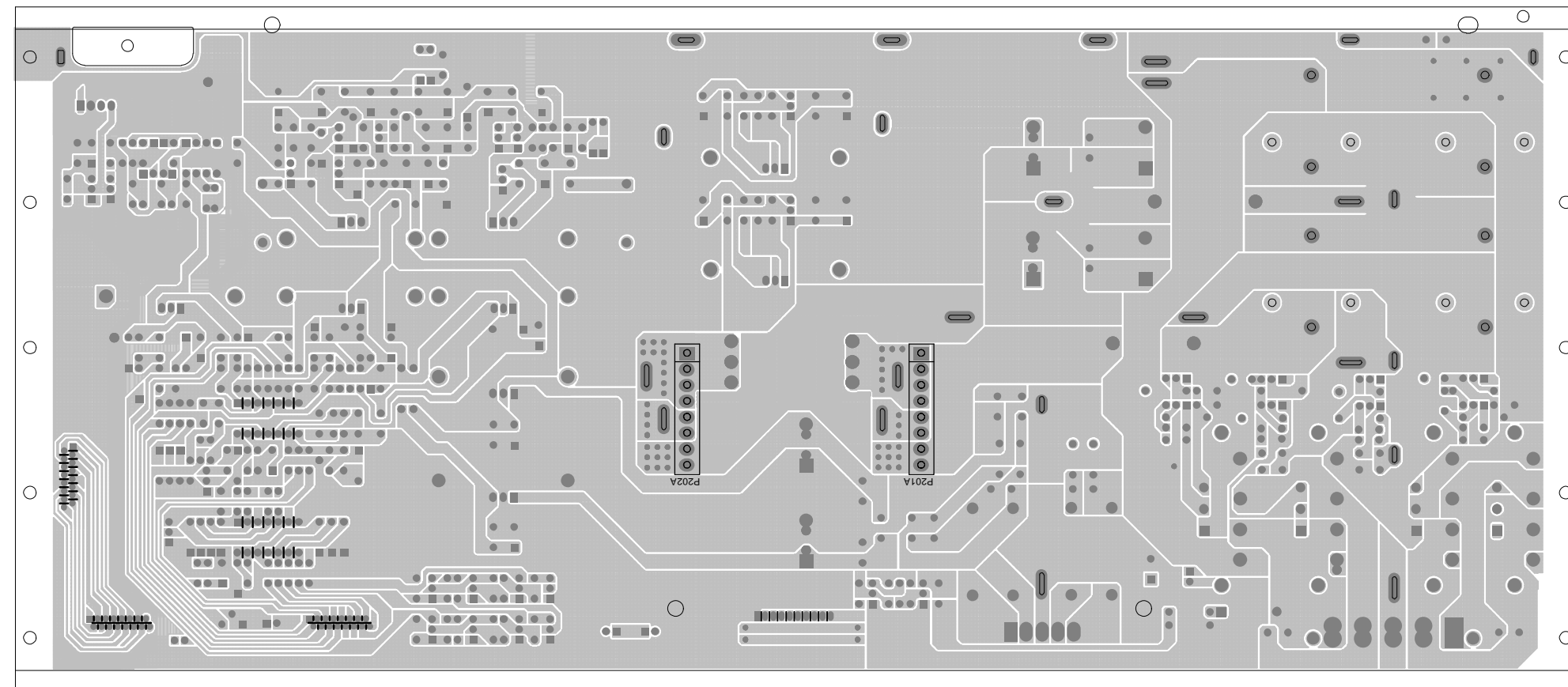
T977 AMP Board Upper - SOLDER SIDE



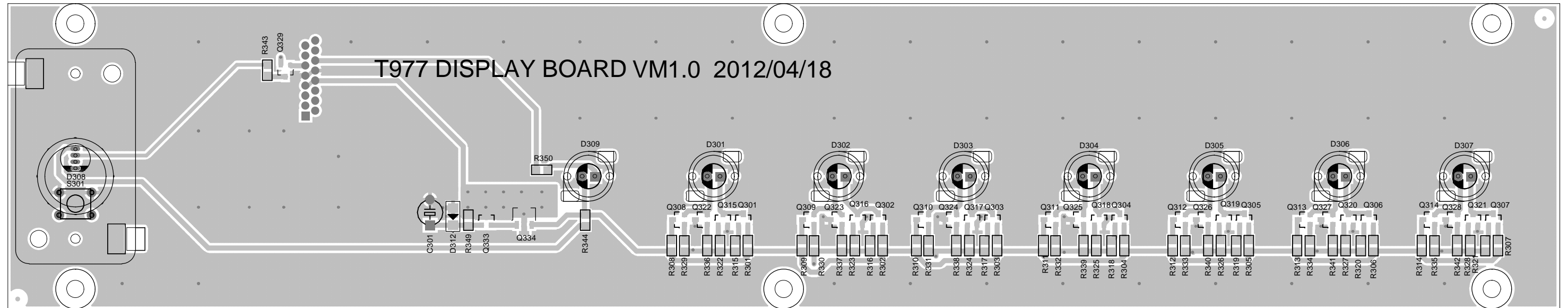
T977 POW Board Upper - COMPONENT SIDE



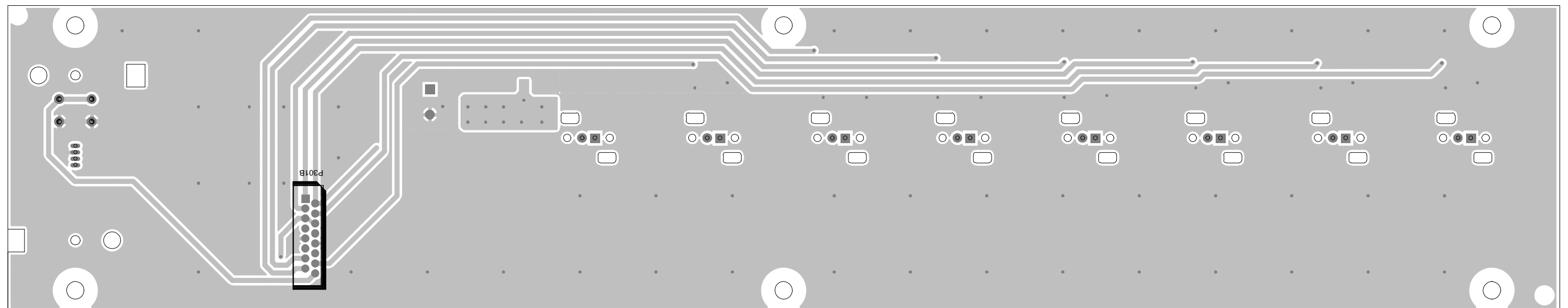
T977 POW Board Upper - SOLDER SIDE



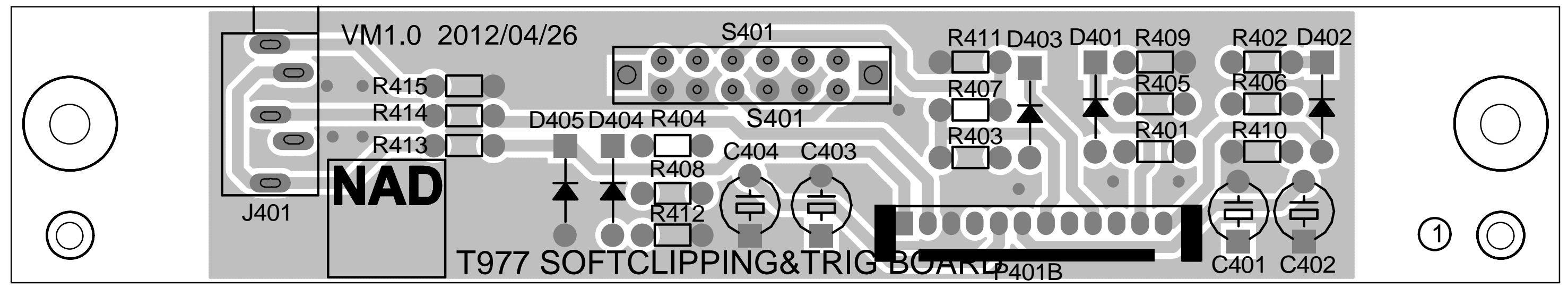
T977 DISPLAY Board Upper - COMPONENT SIDE



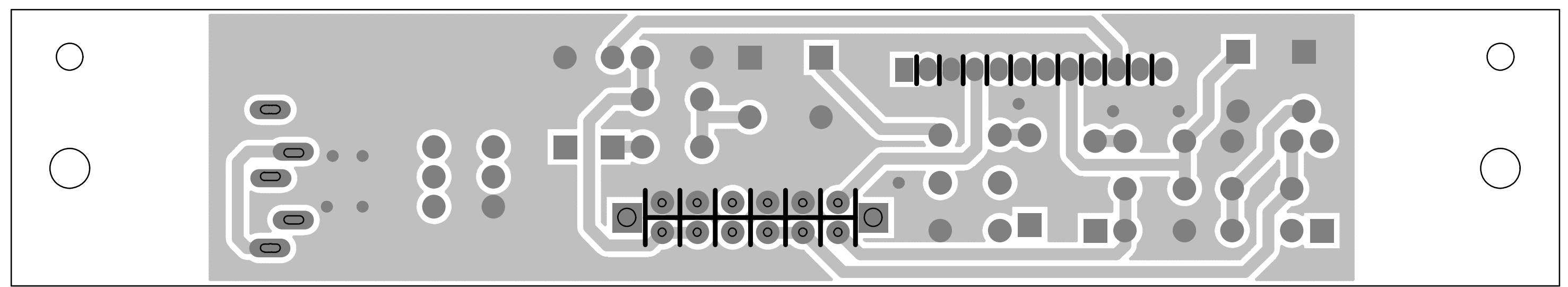
T977 DISPLAY Board Upper - SOLDER SIDE



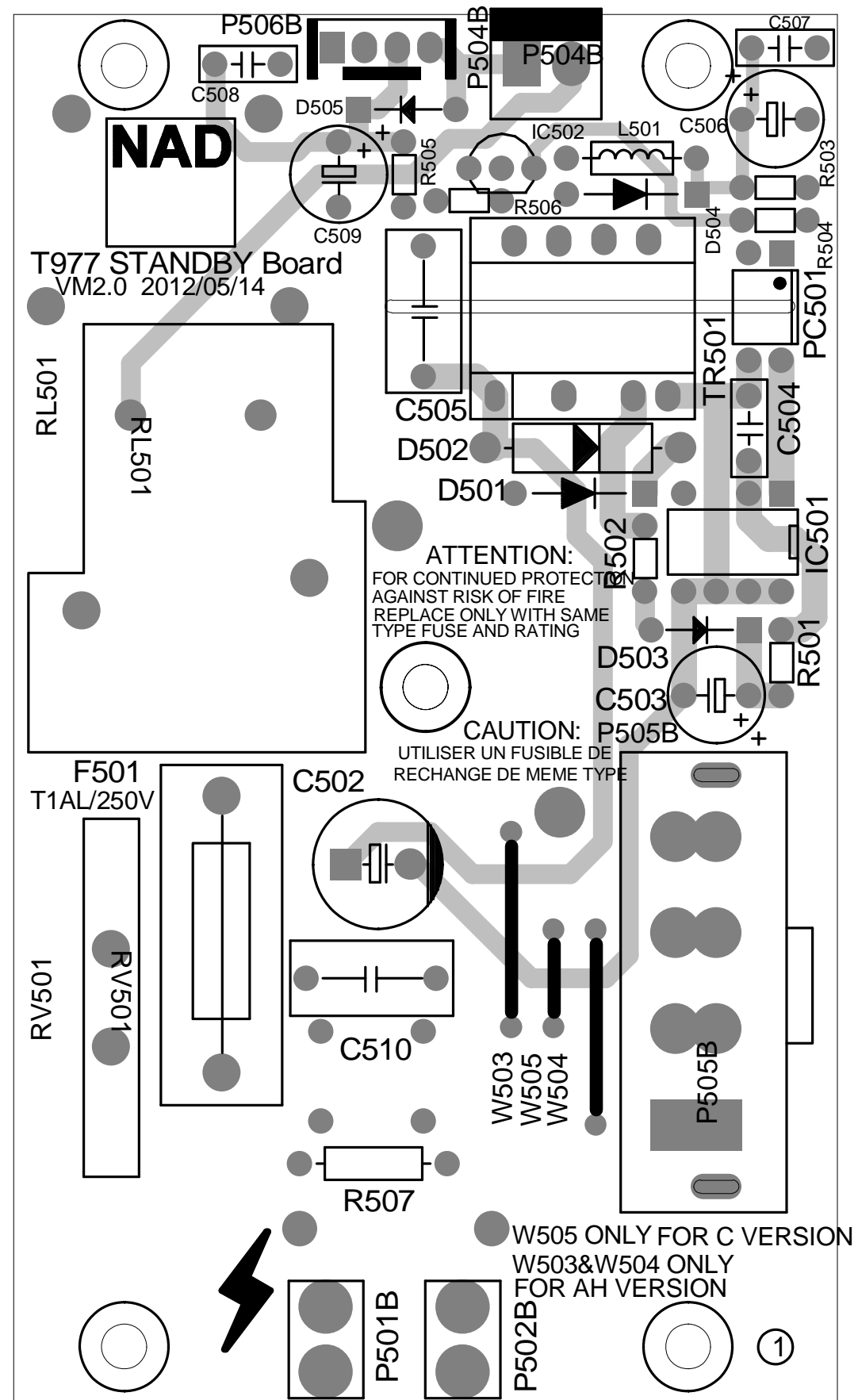
T977 SOFTCLIPPING&TRIG Board Upper - COMPONENT SIDE



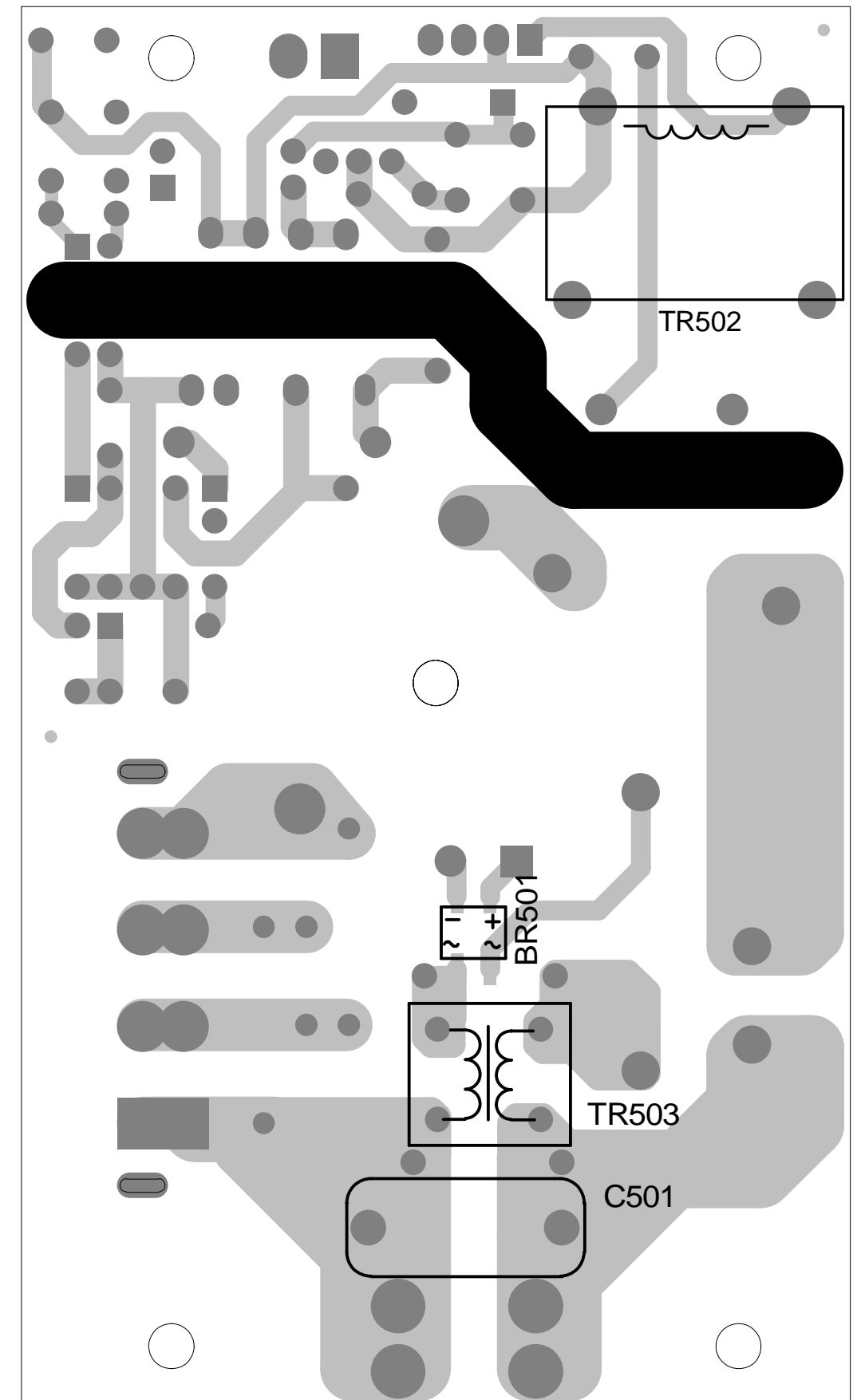
T977 SOFTCLIPPING&TRIG Board Upper - SOLDER SIDE



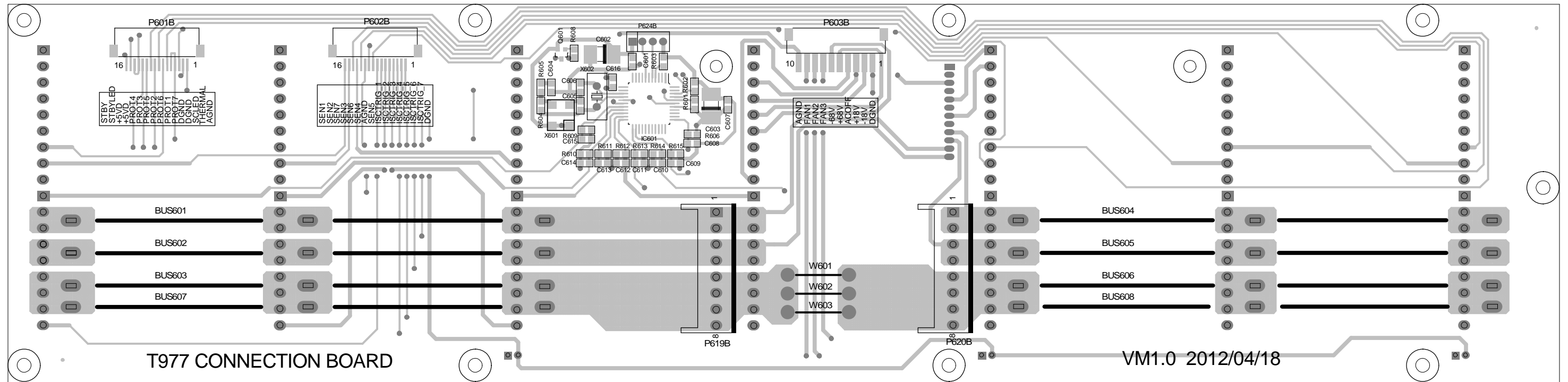
T977 STBY Board Upper - COMPONENT SIDE



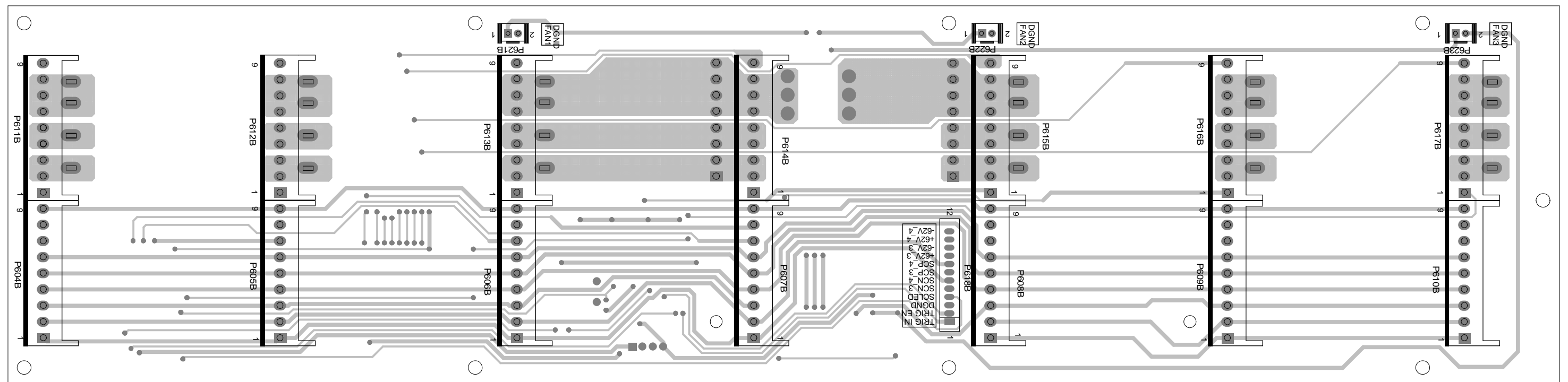
T977 STBY Board Upper - SOLDER SIDE



T977 Connection Board Upper - COMPONENT SIDE



T977 Connection Board Upper - SOLDER SIDE



ELECTRICAL PARTS LIST

DESIGNATOR	DESCRIPTION	PART TYPE	PART NUMBER	FOOTPRINT
AH P/N : 00-97700-10 C P/N : 00-97700-20				
AH P/N : 01-97710-10 C P/N : 01-97710-20		PCB1 BOARD (AMP MODULE)		
DIODE				
D100	Switch Diode	1N4148W-NR	33-44148-17	SOD-123
D101	Switch Diode	1N4148W-NR	33-44148-17	SOD-123
D102	Switch Diode	1N4148W-NR	33-44148-17	SOD-123
D103	Switch Diode	1N4148W-NR	33-44148-17	SOD-123
D104	Switch Diode	1N4148W-NR	33-44148-17	SOD-123
D105	Switch Diode	1N4148W-NR	33-44148-17	SOD-123
D106	Switch Diode	1N4148W-NR	33-44148-17	SOD-123
D107	LED (Blue)	LUB33842/G	33-50360-20	
D108	Switch Diode	1N4148W-NR	33-44148-17	SOD-123
D109	LED (Blue)	LUB33842/G	33-50360-20	
D110	Switch Diode	BAV21W	33-40021-11	SOD-123
D111	Switch Diode	1N4148W-NR	33-44148-17	SOD-123
D112	Switch Diode	1N4148W-NR	33-44148-17	SOD-123
D113	Switch Diode	1N4148W-NR	33-44148-17	SOD-123
D114	Switch Diode	1N4148W-NR	33-44148-17	SOD-123
D115	Switch Diode	BAV21W	33-40021-11	SOD-123
D116	Switch Diode	1N4148W-NR	33-44148-17	SOD-123
D117	Switch Diode	1N4148W-NR	33-44148-17	SOD-123
D119	Switch Diode	1N4148W-NR	33-44148-17	SOD-123
D120	Switch Diode	1N4148W-NR	33-44148-17	SOD-123
D121	Switch Diode	1N4148W-NR	33-44148-17	SOD-123
D122	Switch Diode	1N4148W-NR	33-44148-17	SOD-123
D123	Switch Diode	1N4148W-NR	33-44148-17	SOD-123
D124	Switch Diode	1N4148W-NR	33-44148-17	SOD-123
D126	Switch Diode	1N4148W-NR	33-44148-17	SOD-123
D127	Switch Diode	1N4148W-NR	33-44148-17	SOD-123
D128	Switch Diode	1N4148W-NR	33-44148-17	SOD-123
D129	Switch Diode	BAV21W	33-40021-11	SOD-123
D130	Zener Diode	6V8,1/2W	33-16809-10	SOD80C
D131	Zener Diode	4V7,1/2W	33-14709-10	LL34
D132	Switch Diode	BAV21W	33-40021-11	SOD-123
D133	Switch Diode	1N4148W-NR	33-44148-17	SOD-123
D134	Switch Diode	1N4148W-NR	33-44148-17	SOD-123
D135	Recti Diode	1N5404	33-25404-00	DAX1/1N_5400-5408
D136	Switch Diode	BAV21W	33-40021-11	SOD-123
D137	Switch Diode	1N4148W-NR	33-44148-17	SOD-123
D138	Switch Diode	BAV21W	33-40021-11	SOD-123
D139	Switch Diode	1N4148W-NR	33-44148-17	SOD-123
D140	Switch Diode	BAV21W	33-40021-11	SOD-123
D141	Zener Diode	4V7,1/2W	33-14709-10	LL34
TRANSISTOR				
Q100	MOSFET	2SK209-GR(TE85L,F)	31-00209-00	TO-236MOD
Q101	Transistor	2SA1312GR(TE85L,F)	31-01312-00	TO-236MOD
Q102	MOSFET	2SK209-GR(TE85L,F)	31-00209-00	TO-236MOD
Q103	Transistor	2SA1312GR(TE85L,F)	31-01312-00	TO-236MOD
Q104	Transistor	2SC3324-GR(TE85L,F)	31-03324-00	TO-236MOD
Q105	Transistor	2SC3324-GR(TE85L,F)	31-03324-00	TO-236MOD
Q106	Transistor	2SC3324-GR(TE85L,F)	31-03324-00	TO-236MOD
Q107	Transistor	2SC3324-GR(TE85L,F)	31-03324-00	TO-236MOD
Q108	Transistor	2SA1312GR(TE85L,F)	31-01312-00	TO-236MOD
Q109	Transistor	2SC3324-GR(TE85L,F)	31-03324-00	TO-236MOD
Q110	Transistor	C1815	31-01815-03	SOT23
Q111	Transistor	A1015	31-01015-03	SOT23
Q112	MOSFET	2SK209-GR(TE85L,F)	31-00209-00	TO-236MOD
Q113	Transistor	2SA1312GR(TE85L,F)	31-01312-00	TO-236MOD
Q114	Transistor	2SC3324-GR(TE85L,F)	31-03324-00	TO-236MOD
Q115	Transistor	2SC3324-GR(TE85L,F)	31-03324-00	TO-236MOD
Q116	Transistor	C1815	31-01815-03	SOT23
Q117	Transistor	C1815	31-01815-03	SOT23
Q118	Transistor	A1015	31-01015-03	SOT23
Q119	Transistor	A1015	31-01015-03	SOT23
Q120	Transistor	2SA1312GR(TE85L,F)	31-01312-00	TO-236MOD
Q121	Transistor	2SA1312GR(TE85L,F)	31-01312-00	TO-236MOD

ELECTRICAL PARTS LIST

DESIGNATOR	DESCRIPTION	PART TYPE	PART NUMBER	FOOTPRINT
Q122	Transistor	2SA1312GR(TE85L,F)	31-01312-00	TO-236MOD
Q123	Transistor	2SA1360-O	31-01360-00	TO126/90/ECB
Q124	Transistor	2SC3423-O	31-03423-00	TO126/90/ECB
Q125	Transistor	2SC3324-GR(TE85L,F)	31-03324-00	TO-236MOD
Q126	Transistor	2SC3423-O	31-03423-00	TO126/90/ECB
Q127	Transistor	FMMTA92/MMBTA92/MMBTA92LT1	31-00092-01	SOT23
Q128	Transistor	MJE340	31-00340-01	TO126/90/ECB
Q129	Transistor	MJE350	31-00350-01	TO126/90/ECB
Q130	Transistor	2SC4793	31-04793-00	TO220AB/215/SURFACE/BC E
Q131	Transistor	2SA1837	31-01837-00	TO220AB/215/SURFACE/BC E
Q132	Transistor	2SC5200-O	31-05200-00	TO220AB/215/SURFACE/BC E
Q133	Transistor	2SA1943-O	31-01943-00	TO220AB/215/SURFACE/BC E
Q134	Transistor	2SC5200-O	31-05200-00	TO220AB/215/SURFACE/BC E
Q135	Transistor	2SA1943-O	31-01943-00	TO220AB/215/SURFACE/BC E
Q137	Transistor	FMMTA92/MMBTA92/MMBTA92LT1	31-00092-01	SOT23
Q138	Transistor	MMBT5551	31-05551-04	SOT23
Q139	Transistor	FMMTA92/MMBTA92/MMBTA92LT1	31-00092-01	SOT23
Q140	Transistor	MMBT5551	31-05551-04	SOT23
Q141	Transistor	FMMTA92/MMBTA92/MMBTA92LT1	31-00092-01	SOT23
Q142	Transistor	FMMTA92/MMBTA92/MMBTA92LT1	31-00092-01	SOT23
Q143	Transistor	FMMTA92/MMBTA92/MMBTA92LT1	31-00092-01	SOT23
Q144	Transistor	FMMTA92/MMBTA92/MMBTA92LT1	31-00092-01	SOT23
Q145	Transistor	3DA4793	31-04793-01	TO220AB/215/SURFACE/BC E
Q145	Transistor	2SC4793	31-04793-00	TO220AB/215/SURFACE/BC E
Q146	Transistor	MMBT5551	31-05551-04	SOT23
Q147	Transistor	FMMTA92/MMBTA92/MMBTA92LT1	31-00092-01	SOT23
Q148	Transistor	FMMTA92/MMBTA92/MMBTA92LT1	31-00092-01	SOT23
Q149	Transistor	MMBT5551	31-05551-04	SOT23
IC				
IC101	Regulator	NJM79M12FA	03-07912-20	TO220AB/SURFACE
IC102	Regulator	NJM78M12FA	03-07812-20	TO220AB/SURFACE
IC103	Quad OPAMP	TL084CD/TL084CDR	03-00084-03	SOIC14
IC104	Dual OPAMP	TL082CD/TL082CDR	03-00082-02	SOIC8
CB101	THERMAL CIRCUIT BRAKE	ST-22 90C L TYPE	A07-70022-09	TO220AC/SURFACE
CB101	THERMAL CIRCUIT BRAKE	67L090	A03-67090-00	TO220AC/SURFACE
RESISTOR				
R100	Chip Resistor	470Ω,0805,1/8W,±5%	07-90471-01	SM/R_0805
R101	Chip Resistor	47Ω,0805,1/8W,±5%	07-90470-01	SM/R_0805
R102	Chip Resistor	2.2MΩ,0805,1/8W,±5%	07-90225-01	SM/R_0805
R103	Chip Resistor	470Ω,0805,1/8W,±5%	07-90471-01	SM/R_0805
R104	Chip Resistor	1KΩ,0805,1/8W,±5%	07-90102-01	SM/R_0805
R105	Chip Resistor	2.2MΩ,0805,1/8W,±5%	07-90225-01	SM/R_0805
R106	Chip Resistor	1KΩ,0805,1/8W,±5%	07-90102-01	SM/R_0805
R107	Chip Resistor	1KΩ,0805,1/8W,±1%	07-91001-01	SM/R_0805
R108	Chip Resistor	1KΩ,0805,1/8W,±1%	07-91001-01	SM/R_0805
R109	Chip Resistor	82Ω,0805,1/8W,±5%	07-90820-01	SM/R_0805
R110	Chip Resistor	1KΩ,0805,1/8W,±1%	07-91001-01	SM/R_0805
R111	Metal Film Resistor	AOT, 1/6W, 1%	07-2****-00	Pitch=5mm
R112	Chip Resistor	976Ω,0805,1/8W,±1%	07-99760-01	SM/R_0805
R113	Chip Resistor	82Ω,0805,1/8W,±5%	07-90820-01	SM/R_0805
R114	Chip Resistor	22KΩ,0805,1/8W,±5%	07-90223-01	SM/R_0805
R115	Chip Resistor	1KΩ,0805,1/8W,±5%	07-90102-01	SM/R_0805
R116	Chip Resistor	1.8KΩ,0805,1/8W,±5%	07-90182-01	SM/R_0805
R117	Chip Resistor	82Ω,0805,1/8W,±5%	07-90820-01	SM/R_0805
R118	Chip Resistor	470Ω,0805,1/8W,±5%	07-90471-01	SM/R_0805
R119	Chip Resistor	2.2MΩ,0805,1/8W,±5%	07-90225-01	SM/R_0805
R120	Chip Resistor	1KΩ,0805,1/8W,±5%	07-90102-01	SM/R_0805
R121	Chip Resistor	1KΩ,0805,1/8W,±5%	07-90102-01	SM/R_0805
R122	Chip Resistor	100Ω,0805,1/8W,±5%	07-90101-01	SM/R_0805
R123	Chip Resistor	100Ω,0805,1/8W,±5%	07-90101-01	SM/R_0805
R124	Chip Resistor	10KΩ,0805,1/8W,±5%	07-90103-01	SM/R_0805

ELECTRICAL PARTS LIST

DESIGNATOR	DESCRIPTION	PART TYPE	PART NUMBER	FOOTPRINT
R125	Chip Resistor	680Ω,0805,1/8W,±5%	07-90681-01	SM/R_0805
R126	Chip Resistor	220Ω,0805,1/8W,±5%	07-90221-01	SM/R_0805
R127	Chip Resistor	4.7KΩ,0805,1/8W,±5%	07-90472-01	SM/R_0805
R128	Chip Resistor	1MΩ,0805,1/8W,±5%	07-90105-01	SM/R_0805
R129	Chip Resistor	1MΩ,0805,1/8W,±5%	07-90105-01	SM/R_0805
R130	Chip Resistor	1KΩ,0805,1/8W,±5%	07-90102-01	SM/R_0805
R131	Chip Resistor	1KΩ,0805,1/8W,±5%	07-90102-01	SM/R_0805
R132	Chip Resistor	100Ω,0805,1/8W,±5%	07-90101-01	SM/R_0805
R133	Chip Resistor	100Ω,0805,1/8W,±5%	07-90101-01	SM/R_0805
R134	Chip Resistor	100Ω,0805,1/8W,±5%	07-90101-01	SM/R_0805
R135	Chip Resistor	180Ω,0805,1/8W,±5%	07-90181-01	SM/R_0805
R136	Chip Resistor	22KΩ,0805,1/8W,±5%	07-90223-01	SM/R_0805
R137	Chip Resistor	180Ω,0805,1/8W,±5%	07-90181-01	SM/R_0805
R138	Chip Resistor	22KΩ,0805,1/8W,±5%	07-90223-01	SM/R_0805
R139	Chip Resistor	100Ω,0805,1/8W,±5%	07-90101-01	SM/R_0805
R140	Chip Resistor	100Ω,0805,1/8W,±5%	07-90101-01	SM/R_0805
R141	Chip Resistor	1KΩ,0805,1/8W,±5%	07-90102-01	SM/R_0805
R142	Chip Resistor	1KΩ,0805,1/8W,±5%	07-90102-01	SM/R_0805
R143	Chip Resistor	100Ω,0805,1/8W,±5%	07-90101-01	SM/R_0805
R144	Chip Resistor	100Ω,0805,1/8W,±1%	07-91000-01	SM/R_0805
R145	Metal Film Resistor	2K78Ω,1/6W,±1%	07-22781-50	RJ13
R146	Chip Resistor	100KΩ,0805,1/8W,±5%	07-90104-01	SM/R_0805
R147	Chip Resistor	47KΩ,0805,1/8W,±5%	07-90473-01	SM/R_0805
R148	Chip Resistor	100KΩ,0805,1/8W,±5%	07-90104-01	SM/R_0805
R149	Chip Resistor	47KΩ,0805,1/8W,±5%	07-90473-01	SM/R_0805
R150	Chip Resistor	3.9KΩ,0805,1/8W,±5%	07-90392-01	SM/R_0805
R151	Chip Resistor	1KΩ,0805,1/8W,±5%	07-90102-01	SM/R_0805
R152	Chip Resistor	1.3KΩ,0805,1/8W,±1%	07-91301-01	SM/R_0805
R153	Chip Resistor	33Ω,0805,1/8W,±5%	07-90330-01	SM/R_0805
R154	Metal Film Resistor	10Ω,1/4W,5%	07-20100-51	Pitch=10mm
R155	Metal Film Resistor	10Ω,1/4W,5%	07-20100-51	Pitch=10mm
R156	FUSEABLE Resistor	1KΩ,1/4W,5%	07-50102-00	Pitch=10mm
R157	Metal Oxide Film Resistor	100Ω,1/2W,5%	07-30101-00	Pitch=15mm
R158	Metal Oxide Film Resistor	2.2Ω,1W,5%	07-30229-01	Pitch=15mm
R159	Metal Oxide Film Resistor	2.2Ω,1W,5%	07-30229-01	Pitch=15mm
R160	Metal Oxide Film Resistor	2.2Ω,1W,5%	07-30229-01	Pitch=15mm
R161	Metal Oxide Film Resistor	2.2Ω,1W,5%	07-30229-01	Pitch=15mm
R162	Cement Resistor	0.22Ω,5W,5%	07-40228-05	Pitch=35mm
R163	Cement Resistor	0.22Ω,5W,5%	07-40228-05	Pitch=35mm
R164	Cement Resistor	0.22Ω,5W,5%	07-40228-05	Pitch=35mm
R165	Cement Resistor	0.22Ω,5W,5%	07-40228-05	Pitch=35mm
R166	Chip Resistor	3MΩ,0805,1/8W,±5%	07-90305-01	SM/R_0805
R167	Chip Resistor	20KΩ,0805,1/8W,±5%	07-90203-01	SM/R_0805
R168	Chip Resistor	22KΩ,0805,1/8W,±5%	07-90223-01	SM/R_0805
R169	Chip Resistor	4.7KΩ,0805,1/8W,±5%	07-90472-01	SM/R_0805
R170	Chip Resistor	22KΩ,0805,1/8W,±5%	07-90223-01	SM/R_0805
R171	Chip Resistor	22KΩ,0805,1/8W,±5%	07-90223-01	SM/R_0805
R172	Chip Resistor	10KΩ,0805,1/8W,±5%	07-90103-01	SM/R_0805
R173	Chip Resistor	22KΩ,0805,1/8W,±5%	07-90223-01	SM/R_0805
R174	Chip Resistor	100KΩ,0805,1/8W,±5%	07-90104-01	SM/R_0805
R175	Chip Resistor	10KΩ,0805,1/8W,±5%	07-90103-01	SM/R_0805
R176	Chip Resistor	100KΩ,0805,1/8W,±5%	07-90104-01	SM/R_0805
R177	Metal Oxide Film Resistor	3.3Ω,1W,5%	07-30339-10	Pitch=20mm
R178	Metal Oxide Film Resistor	2.7Ω,2W,5%	07-30279-02	Pitch=20mm
R179	Chip Resistor	4.7KΩ,0805,1/8W,±5%	07-90472-01	SM/R_0805
R180	Chip Resistor	10KΩ,0805,1/8W,±5%	07-90103-01	SM/R_0805
R181	Chip Resistor	22KΩ,0805,1/8W,±5%	07-90223-01	SM/R_0805
R182	Chip Resistor	3.3KΩ,0805,1/8W,±5%	07-90332-01	SM/R_0805
R183	Chip Resistor	220KΩ,0805,1/8W,±5%	07-90224-01	SM/R_0805
R184	Chip Resistor	20KΩ,0805,1/8W,±5%	07-90203-01	SM/R_0805
R185	Chip Resistor	20KΩ,0805,1/8W,±5%	07-90203-01	SM/R_0805
R186	Chip Resistor	1MΩ,0805,1/8W,±5%	07-90105-01	SM/R_0805
R187	Chip Resistor	10KΩ,0805,1/8W,±5%	07-90103-01	SM/R_0805
R188	Chip Resistor	51KΩ,0805,1/8W,±5%	07-90513-01	SM/R_0805
R189	Chip Resistor	510KΩ,0805,1/8W,±5%	07-90514-01	SM/R_0805
R190	Chip Resistor	20KΩ,0805,1/8W,±5%	07-90203-01	SM/R_0805
R191	Chip Resistor	100KΩ,0805,1/8W,±5%	07-90104-01	SM/R_0805
R192	Chip Resistor	2.21KΩ,0805,1/8W,±1%	07-92211-01	SM/R_0805
R193	Chip Resistor	20KΩ,0805,1/8W,±5%	07-90203-01	SM/R_0805

ELECTRICAL PARTS LIST

DESIGNATOR	DESCRIPTION	PART TYPE	PART NUMBER	FOOTPRINT
R194	Chip Resistor	150Ω,0805,1/8W,±5%	07-90151-01	SM/R_0805
R195	Chip Resistor	100KΩ,0805,1/8W,±5%	07-90104-01	SM/R_0805
R196	Metal Oxide Film Resistor	100Ω, 1/2W, 5%	07-30101-00	Pitch=15mm
R197	Chip Resistor	20KΩ,0805,1/8W,±5%	07-90203-01	SM/R_0805
R198	Chip Resistor	100KΩ,0805,1/8W,±5%	07-90104-01	SM/R_0805
R199	Chip Resistor	220KΩ,0805,1/8W,±5%	07-90224-01	SM/R_0805
R1A0	Chip Resistor	390KΩ,0805,1/8W,±1%	07-93903-01	SM/R_0805
R1A1	Chip Resistor	220KΩ,0805,1/8W,±5%	07-90224-01	SM/R_0805
R1A2	Chip Resistor	10KΩ,0805,1/8W,±5%	07-90103-01	SM/R_0805
R1A3	Chip Resistor	470KΩ,0805,1/8W,±5%	07-90474-01	SM/R_0805
R1A4	Chip Resistor	220KΩ,0805,1/8W,±5%	07-90224-01	SM/R_0805
R1A5	Chip Resistor	220KΩ,0805,1/8W,±5%	07-90224-01	SM/R_0805
R1A6	Chip Resistor	47KΩ,0805,1/8W,±5%	07-90473-01	SM/R_0805
R1A7	Cement Resistor	0.05Ω, 3W, 5%	07-40507-04	Pitch=10mm
R1A8	Chip Resistor	100Ω,0805,1/8W,±5%	07-90101-01	SM/R_0805
R1A9	Chip Resistor	6.8KΩ,0805,1/8W,±5%	07-90682-01	SM/R_0805
R1E0	Chip Resistor	470KΩ,0805,1/8W,±5%	07-90474-01	SM/R_0805
R1E1	Chip Resistor	3.3KΩ,0805,1/8W,±1%	07-93301-01	SM/R_0805
R1E2	Chip Resistor	33KΩ,0805,1/8W,±1%	07-93302-01	SM/R_0805
R1E3	Chip Resistor	1.5KΩ,0805,1/8W,±5%	07-90152-01	SM/R_0805
R1E7	Chip Resistor	330Ω,0805,1/8W,±5%	07-90331-01	SM/R_0805
R1G1	Metal Oxide Film Resistor	100Ω, 2W, 5%	07-30101-12	Pitch=12.5mm
R1H1	Chip Resistor	10Ω,0805,1/8W,±5%	07-90100-01	SM/R_0805
R1H2	Chip Resistor	10Ω,0805,1/8W,±5%	07-90100-01	SM/R_0805
R1H3	Chip Resistor	10KΩ,0805,1/8W,±5%	07-90103-01	SM/R_0805
R1N1	Chip Resistor	330KΩ,0805,1/8W,±5%	07-90334-01	SM/R_0805
R1N2	Chip Resistor	33KΩ,0805,1/8W,±1%	07-93302-01	SM/R_0805
R1N3	Chip Resistor	33KΩ,0805,1/8W,±1%	07-93302-01	SM/R_0805
R1N4	Chip Resistor	330KΩ,0805,1/8W,±5%	07-90334-01	SM/R_0805
R1N5	Chip Resistor	220Ω,0805,1/8W,±5%	07-90221-01	SM/R_0805
R1N6	Chip Resistor	220Ω,0805,1/8W,±5%	07-90221-01	SM/R_0805
R1N7	Chip Resistor	2KΩ,0805,1/8W,±5%	07-90202-01	SM/R_0805
R1N8	Chip Resistor	2KΩ,0805,1/8W,±5%	07-90202-01	SM/R_0805
R1P1	Chip Resistor	2KΩ,0805,1/8W,±5%	07-90202-01	SM/R_0805
R1P2	Chip Resistor	2KΩ,0805,1/8W,±5%	07-90202-01	SM/R_0805
R1P3	Chip Resistor	100Ω,0805,1/8W,±5%	07-90101-01	SM/R_0805
R1P4	Chip Resistor	100Ω,0805,1/8W,±5%	07-90101-01	SM/R_0805
R1P5	Chip Resistor	2KΩ,0805,1/8W,±5%	07-90202-01	SM/R_0805
R1P6	Chip Resistor	2KΩ,0805,1/8W,±5%	07-90202-01	SM/R_0805
CAPACITOR				
C100	Ceramic Capacitor SMD	180pJ,50V,0805,NPO	26-18151-01	SM/C_0805
C101	Ceramic Capacitor SMD	1nJ,50V,0805,NPO	26-10251-11	SM/C_0805
C102	Ceramic Capacitor SMD	22PJ,50V,0805,NPO	26-22051-01	SM/C_0805
C103	Ceramic Capacitor SMD	180pJ,50V,0805,NPO	26-18151-01	SM/C_0805
C104	Ceramic Capacitor SMD	1nJ,50V,0805,NPO	26-10251-11	SM/C_0805
C105	Ceramic Capacitor SMD	47PJ,50V,0805,NPO	26-47051-01	SM/C_0805
C106	Ceramic Capacitor SMD	10pJ,50V,0805,NPO	26-10051-01	SM/C_0805
C107	Ceramic Capacitor SMD	15PJ,50V,0805,NPO	26-15051-01	SM/C_0805
C108	Ceramic Capacitor SMD	10nJ,50V,0805,NPO	26-10351-11	SM/C_0805
C109	Ceramic Capacitor SMD	22PJ,50V,0805,NPO	26-22051-01	SM/C_0805
C110	ALU Electrolytic Capacitor	100uF/16V, 20%, 105 °C	06-10111-07	Pitch=5mm
C111	Ceramic Capacitor SMD	100nK,50V,0805,X7R	26-10451-11	SM/C_0805
C112	ALU Electrolytic Capacitor	1uF/50V, 20%, 105 °C	06-10951-03	Pitch=5mm
C113	ALU Electrolytic Capacitor	1uF/50V, 20%, 105 °C	06-10951-03	Pitch=5mm
C114	Ceramic Capacitor SMD	100nK,50V,0805,X7R	26-10451-11	SM/C_0805
C115	Ceramic Capacitor SMD	1nJ,50V,0805,NPO	26-10251-11	SM/C_0805
C116	Ceramic Capacitor SMD	22PJ,50V,0805,NPO	26-22051-01	SM/C_0805
C117	ALU Electrolytic Capacitor	100uF/16V, 20%, 105 °C	06-10111-07	Pitch=5mm
C118	Ceramic Capacitor SMD	100nK,50V,0805,X7R	26-10451-11	SM/C_0805
C119	Ceramic Capacitor SMD	1nJ,50V,0805,NPO	26-10251-11	SM/C_0805
C120	Polyester capacitor	100nF, 5%, 250V	25-10422-01	Pitch=5mm
C121	Polyester capacitor	100nF, 5%, 250V	25-10422-01	Pitch=5mm
C122	ALU Electrolytic Capacitor	100uF/25V, 20%, 105 °C	06-10121-02	Pitch=5mm
C123	Ceramic Capacitor SMD	100nK,50V,0805,X7R	26-10451-11	SM/C_0805
C124	ALU Electrolytic Capacitor	10uF/50V, 20%, 105 °C	06-10051-01	Pitch=5mm
C125	Ceramic Capacitor SMD	10nJ,50V,0805,NPO	26-10351-11	SM/C_0805
C126	Ceramic Capacitor SMD	100nK,50V,0805,X7R	26-10451-11	SM/C_0805
C127	ALU Electrolytic Capacitor	100uF/25V, 20%, 105 °C	06-10121-02	Pitch=5mm

ELECTRICAL PARTS LIST

DESIGNATOR	DESCRIPTION	PART TYPE	PART NUMBER	FOOTPRINT
C128	ALU Electrolytic Capacitor	10uF/50V, 20%, 105 °C	06-10051-01	Pitch=5mm
C129	Ceramic Capacitor SMD	10nJ,50V,0805,NPO	26-10351-11	SM/C_0805
C130	Polyester capacitor	470nF, 10%, 63V	25-47461-01	Pitch=5mm
C131	Polyester capacitor	470nF, 10%, 63V	25-47461-01	Pitch=5mm
C132	Ceramic Capacitor SMD	470pJ,50V,0805,NPO	26-47151-01	SM/C_0805
C133	Ceramic Capacitor SMD	470pJ,50V,0805,NPO	26-47151-01	SM/C_0805
C134	ALU Electrolytic Capacitor	1000uF/6.3V, 20%, 105 °C	06-10260-01	Pitch=5mm
C135	Ceramic Capacitor SMD	68PJ,50V,0805,NPO	26-68051-01	SM/C_0805
C136	Ceramic Capacitor SMD	68PJ,50V,0805,NPO	26-68051-01	SM/C_0805
C137	Ceramic Capacitor SMD	100nK,50V,0805,X7R	26-10451-11	SM/C_0805
C138	ALU Electrolytic Capacitor	22uF/25V, 20%, 105 °C	06-22021-01	Pitch=5mm
C139	ALU Electrolytic Capacitor	4.7uF/50V, 20%, 105 °C	06-47951-05	Pitch=5mm
C140	Ceramic Capacitor SMD	22nK,50V,0805,X7R	26-22351-01	SM/C_0805
C141	Polyester capacitor	100nF, 5%, 250V	25-10422-01	Pitch=5mm
C142	Polyester capacitor	10nF, 5%, 250V	25-10322-02	Pitch=5mm
C143	Ceramic Capacitor	15pF, 10%, 1KV	05-15013-00	Pitch=5mm
C144	Ceramic Capacitor SMD	180pJ,250V,0805,NPO	26-18122-01	SM/C_0805
C145	ALU Electrolytic Capacitor	100uF/16V, 20%, 105 °C	06-10111-07	Pitch=5mm
C146	ALU Electrolytic Capacitor	22uF/25V, 20%, 105 °C	06-22021-01	Pitch=5mm
C147	ALU Electrolytic Capacitor	22uF/25V, 20%, 105 °C	06-22021-01	Pitch=5mm
C148	ALU Electrolytic Capacitor	1uF/50V, 20%, 105 °C	06-10951-03	Pitch=5mm
C149	ALU Electrolytic Capacitor	1uF/50V, 20%, 105 °C	06-10951-03	Pitch=5mm
C150	ALU Electrolytic Capacitor	1uF/50V, 20%, 105 °C	06-10951-03	Pitch=5mm
C151	ALU Electrolytic Capacitor	1uF/50V, 20%, 105 °C	06-10951-03	Pitch=5mm
C152	Ceramic Capacitor SMD	1nJ,50V,0805,NPO	26-10251-11	SM/C_0805
C153	Ceramic Capacitor SMD	470pJ,50V,0805,NPO	26-47151-01	SM/C_0805
C154	ALU Electrolytic Capacitor	10uF/100V, 20%, 105 °C	06-10012-01	Pitch=5mm
C155	ALU Electrolytic Capacitor	10uF/100V, 20%, 105 °C	06-10012-01	Pitch=5mm
C156	Ceramic Capacitor SMD	100nK,50V,0805,X7R	26-10451-11	SM/C_0805
C157	ALU Electrolytic Capacitor	10uF/50V, 20%, 105 °C	06-10051-01	Pitch=5mm
C158	ALU Electrolytic Capacitor	10uF/50V, 20%, 105 °C	06-10051-01	Pitch=5mm
C159	Ceramic Capacitor SMD	1nJ,50V,0805,NPO	26-10251-11	SM/C_0805
C160	Ceramic Capacitor SMD	47nK,50V,0805,X7R	26-47351-01	SM/C_0805
C161	Ceramic Capacitor SMD	47nK,50V,0805,X7R	26-47351-01	SM/C_0805
C163	Metallized Polyester Film Capacitor	CL23B-100V-224J RA	25-22412-03	Pitch=5mm
C164	Ceramic Capacitor SMD	100nK,50V,0805,X7R	26-10451-11	SM/C_0805
C169	Polyester capacitor	100nF, 5%, 250V	25-10422-01	Pitch=5mm
C170	Polyester capacitor	100nF, 5%, 250V	25-10422-01	Pitch=5mm
C171	Ceramic Disc Capacitor	47pF,1KV,±5%	05-47013-01	Pitch=5mm
C172	Ceramic Disc Capacitor	47pF,1KV,±5%	05-47013-01	Pitch=5mm
C173	Ceramic Capacitor SMD	100nK,50V,0805,X7R	26-10451-11	SM/C_0805
C174	Ceramic Disc Capacitor	47pF,1KV,±5%	05-47013-01	Pitch=5mm
C175	Ceramic Disc Capacitor	47pF,1KV,±5%	05-47013-01	Pitch=5mm
C176	Ceramic Disc Capacitor	47pF,1KV,±5%	05-47013-01	Pitch=5mm
C1G1	Ceramic Capacitor SMD	100nK,50V,0805,X7R	26-10451-11	SM/C_0805
RELAY				
RL101	RELAYS	JQX-115F/024/1HS1	A12-03101-03	RELAY_1
INDUCTOR				
For Q132	FERRIT TOROID	φ5×φ3×5	19-05005-00	
For Q133	FERRIT TOROID	φ5×φ3×5	19-05005-00	
For Q134	FERRIT TOROID	φ5×φ3×5	19-05005-00	
For Q135	FERRIT TOROID	φ5×φ3×5	19-05005-00	
L103	Inductor	0.7uH	08-01079-01	Pitch=18mm
FUSE and FUSE HOLDER				
F101	FUSE	T6.3AL/250V	A20-12632-00	5X20
F102	FUSE	T6.3AL/250V	A20-12632-00	5X20
For F101	FUSE HOLDER	LS-PTF-78, 不要盖子 (CQ-200C)	JA20-20000-06	Pitch=21.5mm
For F102	FUSE HOLDER	LS-PTF-78, 不要盖子 (CQ-200C)	JA20-20000-06	Pitch=21.5mm
CONNECTOR				
J101	RCA	AV-8.4-14, 白色, 无接地片	17-01001-10	RCA_1A
R111	Test Pin	CNT-M254-1*1-GS-GS-6/3-N	13-10001-22	
G1G1	Ground Solder Tap	GND-8	32-28042-00	
P103A	CONNECTOR	CNT-M254-2*3-GD-6/3/1.5-N	13-12506-20	
P101A	CONNECTOR	9PIN	13-13909-00	
P102A	CONNECTOR	9PIN	13-13909-00	
	BINDING POST ASSY	C版	02-03003-20	
	BINDING POST ASSY	AH版	02-03003-10	

ELECTRICAL PARTS LIST

DESIGNATOR	DESCRIPTION	PART TYPE	PART NUMBER	FOOTPRINT
	Binding Post(Black)		17-03002-04	
	Binding Post(Red)		17-03002-03	
	Binding Post(Black)		17-03002-14	
	Binding Post(Red)		17-03002-13	
	Binding Post(Red)	ABS	(73-001003-0)	
	Binding Post(Black)	ABS	(73-001004-0)	
	BDP CAP(Red)	ABS	(73-001005-0)	
	BDP CAP(Black)	ABS	(73-001006-0)	
BP101	Shaft	HPB59-1	(69-010009-0)	
	Shaft	HPB59-1	(69-001002-0)	
	Binding Post	HS4-C320-B009V1-P002 B	71-001001-1	
	PIN	HS4-T972-B009V1-M017	69-010003-0	
	Plain Washer	M3	62-010302-3	
	Plain Washer	φ3,0.3mm	63-010303-0	
	Plain Washer	φ3,0.8mm	63-010308-1	
	Plain Washer	φ5,0.5mm	63-010505-0	
	Spring Washer	φ3	63-020308-0	
For Q132	Insulated Cushion	SFAT686	78-005005-0	
For Q133	Insulated Cushion	SFAT686	78-005005-0	
For Q134	Insulated Cushion	SFAT686	78-005005-0	
For Q135	Insulated Cushion	SFAT686	78-005005-0	
W101	JUMPER	5mm	21-06500-00	
BUS101	BUSBAR	HS4-T972-B009V1-M015	69-010001-0	
	Teflon	18AWG-L	76-000001-0	
METAL PARTS				
	BRACKET2	SECC-N5, T=1.2mm	66-010007-0	
	BRACKET4	HS4-T973-B009V3-M012 B	67-010002-2	
	BRACKET4	SECC-N5, T=1.0mm	65-010002-2	
CB101	Tem.Sw Clamp		66-018005-0	
	TR CLAMPER	HS4-C370-B009V1-M007	66-005009-0	
	HEAT SINK	HS4-T972-B009V1-M026 C	70-010001-1	
FASTENERS				
	self screw	STB3x8	61-023108-0	
	self screw	BTB3x10	61-023210-0	
	self taping screw	BTB3x8	61-023208-0	
	self taping screw	BTB3x15	61-023215-0	
	machine screw	MB3x14	61-223514-0	
	machine screw	MB3x18	61-223518-0	
	bolt		61-013206-0	
	Washer	φ3.2xφ10mm, 厚度1.0mm	63-010310-0	
PLASTIC PARTS				
	space support	4-5	85-010001-0	
	ROTATE KNOB	HS4-T972-B009V1-P005	73-010001-0	
Q117(3x7)	Heat Shrinking Tube	φ2x15	78-000020-0	
	Wire	UL1569 26AWG L=56±5mm	14-97501-00	
P/N	01-97702-00	PCB2 BOARD (POWER SUPPLY BOARD)		
DIODE				
D201	Switch Diode	1N4148	33-44148-00	Pitch=7.5mm
D202	Switch Diode	1N4148	33-44148-00	Pitch=7.5mm
D203	Switch Diode	1N4148	33-44148-00	Pitch=7.5mm
D204	Switch Diode	1N4148	33-44148-00	Pitch=7.5mm
D205	Switch Diode	1N4148	33-44148-00	Pitch=7.5mm
D206	RECTIFY DIODES	1N4007	33-24007-00	Pitch=14mm
D207	Switch Diode	1N4148	33-44148-00	Pitch=7.5mm
D208	Switch Diode	1N4148	33-44148-00	Pitch=7.5mm
D209	Switch Diode	1N4148	33-44148-00	Pitch=7.5mm
D210	Zener Diode	8.2V, 1/2W	33-18209-00	Pitch=7.5mm
D211	Zener Diode	8.2V, 1/2W	33-18209-00	Pitch=7.5mm
D212	Zener Diode	5.1V, 1/2W	33-15109-00	Pitch=7.5mm
D213	Zener Diode	4.3V, 1/2W	33-14309-00	Pitch=7.5mm
D214	Zener Diode	4.3V, 1/2W	33-14309-00	Pitch=7.5mm
D215	Zener Diode	4.3V, 1/2W	33-14309-00	Pitch=7.5mm
D216	Zener Diode	4.3V, 1/2W	33-14309-00	Pitch=7.5mm
D217	Zener Diode	4.3V, 1/2W	33-14309-00	Pitch=7.5mm
D218	Zener Diode	4.3V, 1/2W	33-14309-00	Pitch=7.5mm
D219	Zener Diode	4.3V, 1/2W	33-14309-00	Pitch=7.5mm
D220	Zener Diode	6.8V, 1/2W	33-16809-00	Pitch=7.5mm
D221	Zener Diode	6.8V, 1/2W	33-16809-00	Pitch=7.5mm
D222	Zener Diode	6.8V, 1/2W	33-16809-00	Pitch=7.5mm

ELECTRICAL PARTS LIST

DESIGNATOR	DESCRIPTION	PART TYPE	PART NUMBER	FOOTPRINT
D223	Switch Diode	1N4148	33-44148-00	Pitch=7.5mm
D224	Switch Diode	1N4148	33-44148-00	Pitch=7.5mm
D225	Switch Diode	1N4148	33-44148-00	Pitch=7.5mm
D226	Switch Diode	1N4148	33-44148-00	Pitch=7.5mm
D227	Switch Diode	1N4148	33-44148-00	Pitch=7.5mm
D228	Switch Diode	1N4148	33-44148-00	Pitch=7.5mm
D229	Switch Diode	1N4148	33-44148-00	Pitch=7.5mm
D230	Switch Diode	1N4148	33-44148-00	Pitch=7.5mm
D231	Switch Diode	1N4148	33-44148-00	Pitch=7.5mm
D233	Switch Diode	1N4148	33-44148-00	Pitch=7.5mm
D234	Switch Diode	1N4148	33-44148-00	Pitch=7.5mm
D235	Zener Diode	3.3V, 1/2W	33-13309-00	Pitch=7.5mm
D236	Zener Diode	3.3V, 1/2W	33-13309-00	Pitch=7.5mm
D237	Zener Diode	13V, 1/2W	33-11300-00	Pitch=7.5mm
BR201	BRIDGE	DB104G	33-30142-00	BRIDGE/.400X.500/.051
BR202	BRIDGE	DB104G	33-30142-00	BRIDGE/.400X.500/.051
BR203	BRIDGE	DB104G	33-30142-00	BRIDGE/.400X.500/.051
BR204	BRIDGE	GBJ2506	33-32562-00	BRIDGE/1.180X.180/.087
BR205	BRIDGE	GBJ2506	33-32562-00	BRIDGE/1.180X.180/.087
BR206	BRIDGE	GBJ2506	33-32562-00	BRIDGE/1.180X.180/.087
BR207	BRIDGE	GBJ2506	33-32562-00	BRIDGE/1.180X.180/.087
TRANSISTOR				
Q201	Transistor	KSA1220AYSTU	31-01220-00	TO126/90/ECB
Q202	Transistor	KSC2690AYSTU	31-02690-00	TO126/90/ECB
Q203	Transistor	C1815-GR	31-01815-04	TO92/100/ECB
Q204	Transistor	A1015-GR	31-01015-04	TO92/100/ECB
Q205	Transistor	3DA4793	31-04793-01	TO220AB/BCE
Q205	Transistor	2SC4793	31-04793-00	TO220AB/BCE
Q205	Transistor	KTD2061-Y	31-02061-00	TO220AB/BCE
Q206	Transistor	3CA1837	31-01837-01	TO220F
Q206	Transistor	2SA1837	31-01837-00	TO220AB/BCE
Q206	Transistor	KTB1369-Y	31-01369-00	TO220AB/BCE
Q207	Transistor	2N5551	31-05551-02	TO92/100/ECB
Q208	Transistor	2N5551	31-05551-02	TO92/100/ECB
Q209	Transistor	2N5401	31-05401-03	TO92/100/ECB
Q210	Transistor	C1815-GR	31-01815-04	TO92/100/ECB
Q211	Transistor	A1015-GR	31-01015-04	TO92/100/ECB
Q212	Transistor	2SB647-AWC	31-00647-00	TO92/100/ECB
Q213	Transistor	2SD667-AWC	31-00667-00	TO92/100/ECB
Q214	Transistor	C1815-GR	31-01815-04	TO92/100/ECB
Q215	Transistor	A1015-GR	31-01015-04	TO92/100/ECB
Q216	Transistor	2SB647-AWC	31-00647-00	TO92/100/ECB
Q217	Transistor	2SD667-AWC	31-00667-00	TO92/100/ECB
Q218	Transistor	KSC2690AYSTU	31-02690-00	TO126/90/ECB
Q219	Transistor	KSC2690AYSTU	31-02690-00	TO126/90/ECB
Q220	Transistor	KSC2690AYSTU	31-02690-00	TO126/90/ECB
Q221	Transistor	C1815-GR	31-01815-04	TO92/100/ECB
Q222	Transistor	C1815-GR	31-01815-04	TO92/100/ECB
Q223	Transistor	C1815-GR	31-01815-04	TO92/100/ECB
Q224	Transistor	C1815-GR	31-01815-04	TO92/100/ECB
Q225	Transistor	C1815-GR	31-01815-04	TO92/100/ECB
Q226	Transistor	C1815-GR	31-01815-04	TO92/100/ECB
Q227	Transistor	2SD667-AWC	31-00667-00	TO92/100/ECB
Q228	Transistor	C1815-GR	31-01815-04	TO92/100/ECB
Q229	Transistor	C1815-GR	31-01815-04	TO92/100/ECB
Q230	Transistor	C1815-GR	31-01815-04	TO92/100/ECB
Q231	Transistor	C1815-GR	31-01815-04	TO92/100/ECB
Q232	Transistor	C1815-GR	31-01815-04	TO92/100/ECB
Q233	Transistor	C1815-GR	31-01815-04	TO92/100/ECB
Q234	Transistor	2N5551	31-05551-02	TO92/100/ECB
Q235	Transistor	2N5401	31-05401-03	TO92/100/ECB
Q236	SCR	30TPS12PBF	33-83008-00	TO247AC
Q237	SCR	30TPS12PBF	33-83008-00	TO247AC
Q238	SCR	30TPS12PBF	33-83008-00	TO247AC
Q239	SCR	30TPS12PBF	33-83008-00	TO247AC
Q240	Transistor	C1815-GR	31-01815-04	TO92/100/ECB
Q241	Transistor	C1815-GR	31-01815-04	TO92/100/ECB
Q242	Transistor	A1015-GR	31-01015-04	TO92/100/ECB
IC				
IC201	RAGULATOR	L7812CT	03-07812-00	TO220AB/123

ELECTRICAL PARTS LIST

DESIGNATOR	DESCRIPTION	PART TYPE	PART NUMBER	FOOTPRINT
IC202	RAGULATOR	L7912CT	03-07912-00	TO220AB/123
IC203	QUAD OP-AMP	TL084CN	03-00084-00	DIP.100/14/W.300/L.750
IC204	GATE IC	SN74HC21N	03-07421-00	DIP.100/14/W.300/L.750
IC206	DUAL OP-AMP	TL082CP	03-00082-00	DIP.100/8/W.300/L.750
RESISTOR				
R201	Metal Film Resistor	1K Ω , 1/6W, 5%	07-20102-50	AX/.200X.080/.031
R202	Metal Film Resistor	1K Ω , 1/6W, 5%	07-20102-50	AX/.200X.080/.031
R203	Metal Film Resistor	2K2 Ω , 1/6W, 5%	07-20222-50	AX/.200X.080/.031
R204	Metal Film Resistor	2K2 Ω , 1/6W, 5%	07-20222-50	AX/.200X.080/.031
R205	Metal Film Resistor	100 Ω , 1/6W, 5%	07-20101-50	AX/.200X.080/.031
R206	Metal Film Resistor	100 Ω , 1/6W, 5%	07-20101-50	AX/.200X.080/.031
R207	Metal Film Resistor	1K5 Ω , 1/6W, 5%	07-20152-50	AX/.200X.080/.031
R208	Metal Film Resistor	1K5 Ω , 1/6W, 5%	07-20152-50	AX/.200X.080/.031
R209	Metal Film Resistor	10K Ω , 1/6W, 5%	07-20103-50	AX/.200X.080/.031
R210	Metal Film Resistor	2K Ω , 1/6W, 5%	07-20202-50	AX/.200X.080/.031
R211	Metal Film Resistor	470 Ω , 1/6W, 5%	07-20471-50	AX/.200X.080/.031
R212	Metal Film Resistor	470 Ω , 1/6W, 5%	07-20471-50	AX/.200X.080/.031
R213	Metal Oxide Film Resistor	10 Ω , 1/2W, 5%	07-30100-03	AX/.600X.125/.039
R214	Metal Film Resistor	1K8 Ω , 1/6W, 5%	07-20182-50	AX/.200X.080/.031
R215	Metal Film Resistor	1K8 Ω , 1/6W, 5%	07-20182-50	AX/.200X.080/.031
R216	Metal Film Resistor	1K8 Ω , 1/6W, 5%	07-20182-50	AX/.200X.080/.031
R217	Metal Film Resistor	220 Ω , 1/6W, 5%	07-20221-50	AX/.200X.080/.031
R218	Metal Film Resistor	2K2 Ω , 1/6W, 5%	07-20222-50	AX/.200X.080/.031
R219	Metal Film Resistor	220 Ω , 1/6W, 5%	07-20221-50	AX/.200X.080/.031
R220	Metal Film Resistor	10K2 Ω , 1/6W, 1%	07-21022-50	AX/.200X.080/.031
R221	Metal Film Resistor	2K1 Ω , 1/6W, 1%	07-22101-50	AX/.200X.080/.031
R222	Metal Film Resistor	1K8 Ω , 1/6W, 5%	07-20182-50	AX/.200X.080/.031
R223	Metal Film Resistor	1K8 Ω , 1/6W, 5%	07-20182-50	AX/.200X.080/.031
R224	Metal Oxide Film Resistor	10 Ω , 1/2W, 5%	07-30100-03	AX/.600X.125/.039
R225	Metal Film Resistor	1K8 Ω , 1/6W, 5%	07-20182-50	AX/.200X.080/.031
R226	Metal Film Resistor	220 Ω , 1/6W, 5%	07-20221-50	AX/.200X.080/.031
R227	Metal Film Resistor	12K Ω , 1/6W, 1%	07-21202-50	AX/.200X.080/.031
R228	Metal Film Resistor	15K Ω , 1/4W, 5%	07-20153-51	AX/.400X.080/.031
R229	Metal Film Resistor	4K7 Ω , 1/4W, 5%	07-20472-51	AX/.400X.080/.031
R230	Metal Film Resistor	1K Ω , 1/6W, 5%	07-20102-50	AX/.200X.080/.031
R231	Metal Film Resistor	10K Ω , 1/6W, 5%	07-20103-50	AX/.200X.080/.031
R232	Metal Film Resistor	10K Ω , 1/6W, 5%	07-20103-50	AX/.200X.080/.031
R233	Metal Oxide Film Resistor	10K Ω , 1/2W, 5%	07-30103-00	AX/.400X.100/.031
R234	Metal Oxide Film Resistor	10K Ω , 1/2W, 5%	07-30103-00	AX/.400X.100/.031
R235	Metal Film Resistor	1K Ω , 1/6W, 5%	07-20102-50	AX/.200X.080/.031
R236	Metal Film Resistor	1K Ω , 1/6W, 5%	07-20102-50	AX/.200X.080/.031
R237	Metal Film Resistor	1K Ω , 1/6W, 5%	07-20102-50	AX/.200X.080/.031
R238	Metal Oxide Film Resistor	47 Ω , 1/2W, 5%	07-30470-00	AX/.400X.080/.031
R239	Metal Film Resistor	1K Ω , 1/6W, 5%	07-20102-50	AX/.200X.080/.031
R240	Metal Oxide Film Resistor	47 Ω , 1/2W, 5%	07-30470-00	AX/.400X.080/.031
R241	Metal Film Resistor	10K Ω , 1/6W, 5%	07-20103-50	AX/.200X.080/.031
R242	Metal Oxide Film Resistor	10K Ω , 1/2W, 5%	07-30103-00	AX/.400X.100/.031
R243	Metal Oxide Film Resistor	10K Ω , 1/2W, 5%	07-30103-00	AX/.400X.100/.031
R244	Metal Film Resistor	1K Ω , 1/6W, 5%	07-20102-50	AX/.200X.080/.031
R245	Metal Film Resistor	1K Ω , 1/6W, 5%	07-20102-50	AX/.200X.080/.031
R246	Metal Film Resistor	1K Ω , 1/6W, 5%	07-20102-50	AX/.200X.080/.031
R247	Metal Oxide Film Resistor	47 Ω , 1/2W, 5%	07-30470-00	AX/.400X.080/.031
R248	Metal Film Resistor	1K Ω , 1/6W, 5%	07-20102-50	AX/.200X.080/.031
R249	Metal Oxide Film Resistor	47 Ω , 1/2W, 5%	07-30470-00	AX/.400X.080/.031
R250	Metal Film Resistor	470 Ω , 1/6W, 5%	07-20471-50	AX/.200X.080/.031
R252	Metal Film Resistor	100K Ω , 1/6W, 5%	07-20104-50	AX/.200X.080/.031
R253	Metal Film Resistor	1K Ω , 1/6W, 5%	07-20102-50	AX/.200X.080/.031
R255	Metal Film Resistor	1K Ω , 1/6W, 5%	07-20102-50	AX/.200X.080/.031
R256	Metal Film Resistor	10K Ω , 1/6W, 5%	07-20103-50	AX/.200X.080/.031
R257	Metal Film Resistor	1K Ω , 1/6W, 5%	07-20102-50	AX/.200X.080/.031
R258	Metal Film Resistor	10K Ω , 1/6W, 5%	07-20103-50	AX/.200X.080/.031
R259	Metal Film Resistor	100 Ω , 1/6W, 5%	07-20101-50	AX/.200X.080/.031
R260	Metal Film Resistor	2K Ω , 1/6W, 5%	07-20202-50	AX/.200X.080/.031
R261	Metal Film Resistor	10K Ω , 1/6W, 1%	07-21002-50	AX/.200X.080/.031
R262	Metal Film Resistor	10K Ω , 1/6W, 1%	07-21002-50	AX/.200X.080/.031
R263	Metal Film Resistor	10K Ω , 1/6W, 1%	07-21002-50	AX/.200X.080/.031
R264	Metal Film Resistor	10K Ω , 1/6W, 1%	07-21002-50	AX/.200X.080/.031
R265	Metal Film Resistor	10K Ω , 1/6W, 1%	07-21002-50	AX/.200X.080/.031
R266	Metal Film Resistor	10K Ω , 1/6W, 1%	07-21002-50	AX/.200X.080/.031
R267	Metal Film Resistor	10K Ω , 1/6W, 1%	07-21002-50	AX/.200X.080/.031
R268	Metal Film Resistor	10K Ω , 1/6W, 1%	07-21002-50	AX/.200X.080/.031
R269	Metal Film Resistor	10K Ω , 1/6W, 1%	07-21002-50	AX/.200X.080/.031

ELECTRICAL PARTS LIST

DESIGNATOR	DESCRIPTION	PART TYPE	PART NUMBER	FOOTPRINT
R270	Metal Film Resistor	43K Ω , 1/6W, 1%	07-24302-50	AX/.200X.080/.031
R271	Metal Film Resistor	43K Ω , 1/6W, 1%	07-24302-50	AX/.200X.080/.031
R272	Metal Film Resistor	43K Ω , 1/6W, 1%	07-24302-50	AX/.200X.080/.031
R273	Metal Film Resistor	100 Ω , 1/6W, 5%	07-20101-50	AX/.200X.080/.031
R274	Metal Film Resistor	100 Ω , 1/6W, 5%	07-20101-50	AX/.200X.080/.031
R275	Metal Film Resistor	100 Ω , 1/6W, 5%	07-20101-50	AX/.200X.080/.031
R276	Metal Film Resistor	3K3 Ω , 1/6W, 5%	07-20332-50	AX/.200X.080/.031
R277	Metal Film Resistor	3K3 Ω , 1/6W, 5%	07-20332-50	AX/.200X.080/.031
R278	Metal Film Resistor	3K3 Ω , 1/6W, 5%	07-20332-50	AX/.200X.080/.031
R279	Metal Film Resistor	3K3 Ω , 1/6W, 5%	07-20332-50	AX/.200X.080/.031
R280	Metal Film Resistor	10K Ω , 1/6W, 5%	07-20103-50	AX/.200X.080/.031
R281	Metal Film Resistor	10K Ω , 1/6W, 5%	07-20103-50	AX/.200X.080/.031
R282	Metal Film Resistor	10K Ω , 1/6W, 5%	07-20103-50	AX/.200X.080/.031
R283	Metal Film Resistor	10K Ω , 1/6W, 5%	07-20103-50	AX/.200X.080/.031
R284	Metal Film Resistor	10K Ω , 1/6W, 5%	07-20103-50	AX/.200X.080/.031
R285	Metal Film Resistor	10K Ω , 1/6W, 5%	07-20103-50	AX/.200X.080/.031
R286	Metal Film Resistor	10K Ω , 1/6W, 5%	07-20103-50	AX/.200X.080/.031
R287	Metal Film Resistor	10K Ω , 1/6W, 5%	07-20103-50	AX/.200X.080/.031
R288	Metal Film Resistor	10K Ω , 1/6W, 5%	07-20103-50	AX/.200X.080/.031
R289	Metal Film Resistor	10K Ω , 1/6W, 5%	07-20103-50	AX/.200X.080/.031
R290	Metal Film Resistor	10K Ω , 1/6W, 5%	07-20103-50	AX/.200X.080/.031
R291	Metal Film Resistor	1K Ω , 1/6W, 5%	07-20102-50	AX/.200X.080/.031
R292	Metal Film Resistor	10K Ω , 1/6W, 5%	07-20103-50	AX/.200X.080/.031
R293	Metal Film Resistor	10K Ω , 1/6W, 5%	07-20103-50	AX/.200X.080/.031
R294	Metal Film Resistor	10K Ω , 1/6W, 5%	07-20103-50	AX/.200X.080/.031
R295	Metal Film Resistor	10K Ω , 1/6W, 5%	07-20103-50	AX/.200X.080/.031
R296	Metal Film Resistor	10K Ω , 1/6W, 5%	07-20103-50	AX/.200X.080/.031
R297	Metal Film Resistor	10K Ω , 1/6W, 5%	07-20103-50	AX/.200X.080/.031
R298	Metal Film Resistor	10K Ω , 1/6W, 5%	07-20103-50	AX/.200X.080/.031
R299	Metal Film Resistor	100 Ω , 1/6W, 5%	07-20101-50	AX/.200X.080/.031
R2A1	Metal Film Resistor	10 Ω , 1/6W, 5%	07-20100-50	AX/.200X.080/.031
R2A2	Metal Film Resistor	10 Ω , 1/6W, 5%	07-20100-50	AX/.200X.080/.031
R2A3	Metal Film Resistor	10 Ω , 1/6W, 5%	07-20100-50	AX/.200X.080/.031
R2A4	Metal Film Resistor	10K Ω , 1/6W, 1%	07-21002-50	AX/.200X.080/.031
R2A5	Metal Film Resistor	10K Ω , 1/6W, 1%	07-21002-50	AX/.200X.080/.031
R2A6	Metal Film Resistor	10K Ω , 1/6W, 1%	07-21002-50	AX/.200X.080/.031
R2A7	Metal Film Resistor	10K Ω , 1/6W, 1%	07-21002-50	AX/.200X.080/.031
R2A8	Metal Film Resistor	10K Ω , 1/6W, 1%	07-21002-50	AX/.200X.080/.031
R2A9	Metal Film Resistor	10K Ω , 1/6W, 1%	07-21002-50	AX/.200X.080/.031
R2E1	Metal Film Resistor	1K Ω , 1/6W, 5%	07-20102-50	AX/.200X.080/.031
R2E2	Metal Film Resistor	10K Ω , 1/6W, 5%	07-20103-50	AX/.200X.080/.031
R2E3	Metal Film Resistor	180 Ω , 1/6W, 5%	07-20181-50	AX/.200X.080/.031
R2E4	Metal Film Resistor	1K Ω , 1/6W, 5%	07-20102-50	AX/.200X.080/.031
R2E5	Metal Film Resistor	100K Ω , 1/6W, 5%	07-20104-50	AX/.200X.080/.031
R2E6	Metal Film Resistor	1K Ω , 1/6W, 5%	07-20102-50	AX/.200X.080/.031
R2E7	Metal Film Resistor	1K Ω , 1/6W, 5%	07-20102-50	AX/.200X.080/.031
R2E8	Metal Film Resistor	10K Ω , 1/6W, 5%	07-20103-50	AX/.200X.080/.031
R2E9	Metal Film Resistor	20K Ω , 1/6W, 5%	07-20203-50	AX/.200X.080/.031
R2F1	Metal Film Resistor	10K Ω , 1/6W, 5%	07-20103-50	AX/.200X.080/.031
R2F2	Metal Film Resistor	20K Ω , 1/6W, 5%	07-20203-50	AX/.200X.080/.031
R2F3	Metal Film Resistor	10K Ω , 1/6W, 5%	07-20103-50	AX/.200X.080/.031
R2F4	Metal Film Resistor	10K Ω , 1/6W, 5%	07-20103-50	AX/.200X.080/.031
R2F5	Link	L=5mm	21-06500-00	AX/.200X.080/.031
R2F7	Metal Film Resistor	10K Ω , 1/6W, 5%	07-20103-50	AX/.200X.080/.031
R2F8	Metal Film Resistor	560 Ω , 1/6W, 5%	07-20561-50	AX/.200X.080/.031
R2H2	Metal Film Resistor	10K Ω , 1/6W, 5%	07-20103-50	AX/.200X.080/.031
R2H3	Metal Film Resistor	10K Ω , 1/6W, 5%	07-20103-50	AX/.200X.080/.031
R2H4	Metal Film Resistor	10K Ω , 1/6W, 5%	07-20103-50	AX/.200X.080/.031
RV201	SEMI POT	1K, 立式可调电阻	09-02102-02	VRES17
W201	JUMPER	10mm	21-06101-00	10mm
W202	JUMPER	10mm	21-06101-00	10mm
CAPACITOR				
C201	Polyester capacitor	10nF, 10%, 100V	25-10312-01	RAD/.300X.150/LS.200/.035
C202	ALU Electrolytic Capacitor	3300uF/35V, 20%, 105 °C	06-33231-00	CPCYL1/D.900/LS.400/.062
C203	ALU Electrolytic Capacitor	3300uF/35V, 20%, 105 °C	06-33231-00	CPCYL1/D.900/LS.400/.062
C204	Polyester capacitor	10nF, 10%, 100V	25-10312-01	RAD/.300X.150/LS.200/.035
C205	Polyester capacitor	10nF, 10%, 100V	25-10312-01	RAD/.300X.150/LS.200/.035
C206	Polyester capacitor	100nF, 10%, 100V	25-10412-02	RAD/.300X.150/LS.200/.037
C207	Polyester capacitor	100nF, 10%, 100V	25-10412-02	RAD/.300X.150/LS.200/.037
C208	ALU Electrolytic Capacitor	10uF/50V, 20%, 105 °C	06-10051-01	CPCYL1/D.200/LS.200/.031
C209	ALU Electrolytic Capacitor	10uF/50V, 20%, 105 °C	06-10051-01	CPCYL1/D.200/LS.200/.031
C210	Polyester capacitor	10nF, 10%, 100V	25-10312-01	RAD/.300X.150/LS.200/.035

ELECTRICAL PARTS LIST

DESIGNATOR	DESCRIPTION	PART TYPE	PART NUMBER	FOOTPRINT
C211	Polyester capacitor	10nF, 10%, 100V	25-10312-01	RAD/.300X.150/LS.200/.035
C212	Polyester capacitor	10nF, 10%, 100V	25-10312-01	RAD/.300X.150/LS.200/.035
C213	ALU Electrolytic Capacitor	3300uF/35V, 20%, 105 °C	06-33231-00	CPCYL1/D.900/LS.400/.062
C214	ALU Electrolytic Capacitor	3300uF/35V, 20%, 105 °C	06-33231-00	CPCYL1/D.900/LS.400/.062
C215	ALU Electrolytic Capacitor	100uF/35V, 20%, 105 °C	06-10131-05	CPCYL1/D.300/LS.200/.031
C216	ALU Electrolytic Capacitor	100uF/35V, 20%, 105 °C	06-10131-05	CPCYL1/D.300/LS.200/.031
C217	ALU Electrolytic Capacitor	47uF/25V, 20%, 105 °C	06-47021-01	CPCYL1/D.300/LS.200/.031
C218	ALU Electrolytic Capacitor	47uF/25V, 20%, 105 °C	06-47021-01	CPCYL1/D.300/LS.200/.031
C219	Polyester capacitor	10nF, 10%, 100V	25-10312-01	RAD/.300X.150/LS.200/.035
C220	Polyester capacitor	10nF, 10%, 100V	25-10312-01	RAD/.300X.150/LS.200/.035
C221	Polyester capacitor	10nF, 10%, 250V	25-10322-01	RAD/.300X.150/LS.200/.036
C222	Polyester capacitor	10nF, 10%, 250V	25-10322-01	RAD/.300X.150/LS.200/.036
C223	Polyester capacitor	10nF, 10%, 250V	25-10322-01	RAD/.300X.150/LS.200/.036
C224	ALU Electrolytic Capacitor	1000uF/100V,±20%,105 °C,CD294	06-10212-01	CPCYL1/D.900/LS.400/.062
C225	ALU Electrolytic Capacitor	1000uF/100V,±20%,105 °C,CD294	06-10212-01	CPCYL1/D.900/LS.400/.062
C226	ALU Electrolytic Capacitor	10uF/50V, 20%, 105 °C	06-10051-01	CPCYL1/D.200/LS.200/.031
C227	ALU Electrolytic Capacitor	47uF/100V, 20%, 105 °C	06-47012-01	CPCYL1/D.300/LS.200/.031
C228	ALU Electrolytic Capacitor	100uF/35V, 20%, 105 °C	06-10131-05	CPCYL1/D.300/LS.200/.031
C229	Polyester capacitor	100nF, 10%, 100V	25-10412-02	RAD/.300X.150/LS.200/.037
C230	Ceramic Capacitor	47pF, 10%, 1KV	05-47013-00	CPAX/.200X.100/.036
C231	ALU Electrolytic Capacitor	10uF/100V, 20%, 105 °C	06-10012-01	CPCYL1/D.200/LS.200/.031
C232	ALU Electrolytic Capacitor	47uF/100V, 20%, 105 °C	06-47012-01	CPCYL1/D.300/LS.200/.031
C233	ALU Electrolytic Capacitor	100uF/35V, 20%, 105 °C	06-10131-05	CPCYL1/D.300/LS.200/.031
C234	Ceramic Capacitor	47pF, 10%, 1KV	05-47013-00	CPAX/.200X.100/.036
C235	ALU Electrolytic Capacitor	10uF/100V, 20%, 105 °C	06-10012-01	CPCYL1/D.200/LS.200/.031
C236	Polyester capacitor	100nF, 10%, 100V	25-10412-02	RAD/.300X.150/LS.200/.037
C237	Polyester capacitor	100nF, 10%, 100V	25-10412-02	RAD/.300X.150/LS.200/.037
C238	ALU Electrolytic Capacitor	10uF/100V, 20%, 105 °C	06-10012-01	CPCYL1/D.200/LS.200/.031
C239	ALU Electrolytic Capacitor	10uF/100V, 20%, 105 °C	06-10012-01	CPCYL1/D.200/LS.200/.031
C240	ALU Electrolytic Capacitor	10uF/100V, 20%, 105 °C	06-10012-01	CPCYL1/D.200/LS.200/.031
C241	Polyester capacitor	10nF, 10%, 250V	25-10322-01	RAD/.300X.150/LS.200/.036
C242	Polyester capacitor	10nF, 10%, 250V	25-10322-01	RAD/.300X.150/LS.200/.036
C243	Polyester capacitor	2.2nF, 10%, 250V	25-22222-00	RAD/.300X.150/LS.200/.034
C244	Polyester capacitor	2.2nF, 10%, 250V	25-22222-00	RAD/.300X.150/LS.200/.034
C245	Polyester capacitor	2.2nF, 10%, 250V	25-22222-00	RAD/.300X.150/LS.200/.034
C246	Polyester capacitor	2.2nF, 10%, 250V	25-22222-00	RAD/.300X.150/LS.200/.034
C247	ALU Electrolytic Capacitor	10000uF, 100V, 105 °C, 20%	06-10312-02	CPCYL1/D1.420/LS.880/.079
C248	ALU Electrolytic Capacitor	10000uF, 100V, 105 °C, 20%	06-10312-02	CPCYL1/D1.420/LS.880/.079
C249	Polyester capacitor	2.2nF, 10%, 250V	25-22222-00	RAD/.300X.150/LS.200/.034
C250	Polyester capacitor	2.2nF, 10%, 250V	25-22222-00	RAD/.300X.150/LS.200/.034
C251	Polyester capacitor	2.2nF, 10%, 250V	25-22222-00	RAD/.300X.150/LS.200/.034
C252	Polyester capacitor	2.2nF, 10%, 250V	25-22222-00	RAD/.300X.150/LS.200/.034
C253	ALU Electrolytic Capacitor	CD294,15000uF,100V,105 °C,±20%	06-15312-00	CPCYL1/D1.420/LS.880/.079
C254	ALU Electrolytic Capacitor	CD294,15000uF,100V,105 °C,±20%	06-15312-00	CPCYL1/D1.420/LS.880/.079
C258	ALU Electrolytic Capacitor	10uF/50V, 20%, 105 °C	06-10051-01	CPCYL1/D.200/LS.200/.031
C259	ALU Electrolytic Capacitor	1uF/50V, 20%, 105 °C	06-10951-10	CPCYL1/D.200/LS.200/.031
C260	ALU Electrolytic Capacitor	1uF/50V, 20%, 105 °C	06-10951-10	CPCYL1/D.200/LS.200/.031
C261	ALU Electrolytic Capacitor	1uF/50V, 20%, 105 °C	06-10951-10	CPCYL1/D.200/LS.200/.031
C262	Ceramic Capacitor	220pF, 10%, 1KV	05-22113-01	CPAX/.200X.100/.036
C264	ALU Electrolytic Capacitor	100uF/16V, 20%, 105 °C	06-10111-07	CPCYL1/D.200/LS.200/.031
C271	Polyester capacitor	100nF, 10%, 100V	25-10412-02	RAD/.300X.150/LS.200/.037
C272	Polyester capacitor	100nF, 10%, 100V	25-10412-02	RAD/.300X.150/LS.200/.037
C273	Polyester capacitor	100nF, 10%, 100V	25-10412-02	RAD/.300X.150/LS.200/.037
C274	Polyester capacitor	100nF, 10%, 100V	25-10412-02	RAD/.300X.150/LS.200/.037
C275	Polyester capacitor	100nF, 10%, 100V	25-10412-02	RAD/.300X.150/LS.200/.037
C276	ALU Electrolytic Capacitor	10uF/50V, 20%, 105 °C	06-10051-01	CPCYL1/D.200/LS.200/.031
C277	ALU Electrolytic Capacitor	10uF/50V, 20%, 105 °C	06-10051-01	CPCYL1/D.200/LS.200/.031
C278	ALU Electrolytic Capacitor	10uF/50V, 20%, 105 °C	06-10051-01	CPCYL1/D.200/LS.200/.031
C279	ALU Electrolytic Capacitor	10uF/50V, 20%, 105 °C	06-10051-01	CPCYL1/D.200/LS.200/.031
C280	Polyester capacitor	100nF, 10%, 100V	25-10412-02	RAD/.300X.150/LS.200/.037
C281	Polyester capacitor	100nF, 10%, 100V	25-10412-02	RAD/.300X.150/LS.200/.037
C282	Polyester capacitor	100nF, 10%, 100V	25-10412-02	RAD/.300X.150/LS.200/.037
C283	ALU Electrolytic Capacitor	10uF/50V, 20%, 105 °C	06-10051-01	CPCYL1/D.200/LS.200/.031
C284	ALU Electrolytic Capacitor	10uF/50V, 20%, 105 °C	06-10051-01	CPCYL1/D.200/LS.200/.031
FUSE and FUSE HOLDER				
F201	FUSE	T1.6AL/250V	A20-12162-01	T1.6AL/250V
F202	FUSE	T1.6AL/250V	A20-12162-01	T1.6AL/250V
F203	FUSE	T1.6AL/250V	A20-12162-01	T1.6AL/250V
F204	FUSE	T1.6AL/250V	A20-12162-01	T1.6AL/250V
For F201	FUSE HOLDER	LS-PTF-78, (CQ-200C)	JA20-20000-06	RAD/.1000X.400/LS.850/.066

ELECTRICAL PARTS LIST

DESIGNATOR	DESCRIPTION	PART TYPE	PART NUMBER	FOOTPRINT
For F202	FUSE HOLDER	LS-PTF-78, (CQ-200C)	JA20-20000-06	RAD/.1000X.400/LS.850/.066
For F203	FUSE HOLDER	LS-PTF-78, (CQ-200C)	JA20-20000-06	RAD/.1000X.400/LS.850/.066
For F204	FUSE HOLDER	LS-PTF-78, (CQ-200C)	JA20-20000-06	RAD/.1000X.400/LS.850/.066
JUMPER				
W203	JUMPER	20mm	21-10201-00	20mm
W204	JUMPER	25mm	21-10251-00	25mm
W205	Link(ϕ 1.0)	L=30mm	21-10301-00	
W206	Link(ϕ 1.0)	L=30mm	21-10301-00	
W207	Link(ϕ 1.0)	L=30mm	21-10301-00	
BUS201	BUSBAR	HS4-C270-B009V1-M006	69-006001-0	
BUS202	BUSBAR	HS4-T972-B009V1-M018	69-010004-0	
BUS203	BUSBAR	HS4-T972-B009V1-M019	69-010005-0	
BUS204	BUSBAR	HS4-T972-B009V1-M020	69-010006-0	
BUS205	BUSBAR	HS4-T972-B009V1-M021	69-010007-0	
BUS206	BUSBAR	HS4-T972-B009V1-M022	69-010008-0	
METAL PARTS				
	BRACKET 3	SECC-N5, T=1.2mm	66-010008-0	
	HEAT SINK	6063 T5 BLACK 85mm	70-046005-1	
	HEAT SINK3	22mm	70-010003-1	
	HEAT SINKC	6063 T5 BLACK 22mm	70-046006-0	
Accessory				
	CUSHION	HS4-T972-B009V1-P004	75-010002-0	
FASTENERS				
	self screw	STB3x6	61-023106-0	
	Machine Screw	MB3x6	61-023506-0	
	Machine Screw	MB3x8	61-023508-0	
	self screw	STB3x8	61-023108-0	
	machine screw	PWM3x16	61-083516-0	
	nut	M3	62-010302-0	
	Washer	ϕ 3	63-010303-0	
	Spring Washer	ϕ 3	63-020308-0	
PLASTIC PARTS				
	capacitor holder	HS4-T973-B009V1-P002 B	75-010001-1	
CONNECTOR				
J201	Connector	2.54mm, 2Pin, CNT-M254-1*2-GS-5.6/3-N	13-12502-19	
J202	Connector	2.54mm, 2Pin, CNT-M254-1*2-GS-5.6/3-N	13-12502-19	
J203	Connector	2.54mm, 2Pin, CNT-M254-1*2-GS-5.6/3-N	13-12502-19	
D232	Connector	2.54mm, 2Pin, CNT-M254-1*2-GS-5.6/3-N	13-12502-19	
P203B	Connector Ribbon	10P2.0-A35B	14-97310-00	PHB-2.0A-10Y
P207A	Connector Ribbon	UL2468#24AWG*4C,L=100mm	14-29004-00	PHB-2.54A-4Y
P209B	HOUSING	5PIN3.96-C	13-23905-00	
P208B	HOUSING	5PIN7.5-C	13-27505-00	
P206B	HOUSING	FPC-1.0-16P/1.0-11-16P	13-21016-04	
P204B	CONNECTOR	FPC1.0-16P	13-21016-02	
P205B	CONNECTOR	FPC1.0-16P	13-21016-02	
P201A	CONNECTOR	8PIN	13-13908-00	
P202A	CONNECTOR	8PIN	13-13908-00	
	Flat Cable	1.0mm,16Pin,L=60mm,KPW9249-1A	14-97316-00	
G2G1	Ground Solder Tap	GND-8	32-28042-00	
P/N 01-97703-00 PCB3 BOARD (PROTECT & SOFTCLIPPING LED BOARD)				
DIODE				
D301	LED	ϕ 5, Blue Red	33-50565-03	DYL/D.200/LS.100/.039
D301	LED	ϕ 5, Blue Red, A	33-50565-00	DYL/D.200/LS.100/.039
D302	LED	ϕ 5, Blue Red	33-50565-03	DYL/D.200/LS.100/.039
D302	LED	ϕ 5, Blue Red, A	33-50565-00	DYL/D.200/LS.100/.039
D303	LED	ϕ 5, Blue Red, A	33-50565-00	DYL/D.200/LS.100/.039
D303	LED	ϕ 5, Blue Red	33-50565-03	DYL/D.200/LS.100/.039
D304	LED	ϕ 5, Blue Red	33-50565-03	DYL/D.200/LS.100/.039
D304	LED	ϕ 5, Blue Red, A	33-50565-00	DYL/D.200/LS.100/.039
D305	LED	ϕ 5, Blue Red, A	33-50565-00	DYL/D.200/LS.100/.039
D305	LED	ϕ 5, Blue Red	33-50565-03	DYL/D.200/LS.100/.039
D306	LED	ϕ 5, Blue Red	33-50565-03	DYL/D.200/LS.100/.039
D306	LED	ϕ 5, Blue Red, A	33-50565-00	DYL/D.200/LS.100/.039
D307	LED	ϕ 5, Blue Red, A	33-50565-00	DYL/D.200/LS.100/.039
D307	LED	ϕ 5, Blue Red	33-50565-03	DYL/D.200/LS.100/.039

ELECTRICAL PARTS LIST

DESIGNATOR	DESCRIPTION	PART TYPE	PART NUMBER	FOOTPRINT
D308	LED	φ5, Red Orange Blue	33-55236-00	
D309	LED	φ5, Blue Red	33-50565-03	DYL/D.200/LS.100/.039
D309	LED	φ5, Blue Red, A	33-50565-00	DYL/D.200/LS.100/.039
D312	Zener Diode	DL5241B,11V,0.5W,±5%	33-11100-11	DL-35
TRANSISTOR				
Q301	Transistor	A1015, SOT23	31-01015-03	SOT23
Q302	Transistor	A1015, SOT23	31-01015-03	SOT23
Q303	Transistor	A1015, SOT23	31-01015-03	SOT23
Q304	Transistor	A1015, SOT23	31-01015-03	SOT23
Q305	Transistor	A1015, SOT23	31-01015-03	SOT23
Q306	Transistor	A1015, SOT23	31-01015-03	SOT23
Q307	Transistor	A1015, SOT23	31-01015-03	SOT23
Q308	Transistor	C1815 SOT23	31-01815-03	SOT23
Q309	Transistor	C1815 SOT23	31-01815-03	SOT23
Q310	Transistor	C1815 SOT23	31-01815-03	SOT23
Q311	Transistor	C1815 SOT23	31-01815-03	SOT23
Q312	Transistor	C1815 SOT23	31-01815-03	SOT23
Q313	Transistor	C1815 SOT23	31-01815-03	SOT23
Q314	Transistor	C1815 SOT23	31-01815-03	SOT23
Q315	Transistor	C1815 SOT23	31-01815-03	SOT23
Q316	Transistor	C1815 SOT23	31-01815-03	SOT23
Q317	Transistor	C1815 SOT23	31-01815-03	SOT23
Q318	Transistor	C1815 SOT23	31-01815-03	SOT23
Q319	Transistor	C1815 SOT23	31-01815-03	SOT23
Q320	Transistor	C1815 SOT23	31-01815-03	SOT23
Q321	Transistor	C1815 SOT23	31-01815-03	SOT23
Q322	Transistor	A1015, SOT23	31-01015-03	SOT23
Q323	Transistor	A1015, SOT23	31-01015-03	SOT23
Q324	Transistor	A1015, SOT23	31-01015-03	SOT23
Q325	Transistor	A1015, SOT23	31-01015-03	SOT23
Q326	Transistor	A1015, SOT23	31-01015-03	SOT23
Q327	Transistor	A1015, SOT23	31-01015-03	SOT23
Q328	Transistor	A1015, SOT23	31-01015-03	SOT23
Q329	Digital transistor	DTA114EKA	31-00114-01	SM/SC59_IGO
Q333	Transistor	C1815 SOT23	31-01815-03	SOT23
Q334	Transistor	PXT2222A, SOT89	31-02222-05	SOT89
RESISTOR				
R301	Chip Resistor	510Ω,0805,1/8W,±5%	07-90511-01	SM/R_0805
R302	Chip Resistor	510Ω,0805,1/8W,±5%	07-90511-01	SM/R_0805
R303	Chip Resistor	510Ω,0805,1/8W,±5%	07-90511-01	SM/R_0805
R304	Chip Resistor	510Ω,0805,1/8W,±5%	07-90511-01	SM/R_0805
R305	Chip Resistor	510Ω,0805,1/8W,±5%	07-90511-01	SM/R_0805
R306	Chip Resistor	510Ω,0805,1/8W,±5%	07-90511-01	SM/R_0805
R307	Chip Resistor	510Ω,0805,1/8W,±5%	07-90511-01	SM/R_0805
R308	Chip Resistor	330Ω,0805,1/8W,±5%	07-90331-01	SM/R_0805
R309	Chip Resistor	330Ω,0805,1/8W,±5%	07-90331-01	SM/R_0805
R310	Chip Resistor	330Ω,0805,1/8W,±5%	07-90331-01	SM/R_0805
R311	Chip Resistor	330Ω,0805,1/8W,±5%	07-90331-01	SM/R_0805
R312	Chip Resistor	330Ω,0805,1/8W,±5%	07-90331-01	SM/R_0805
R313	Chip Resistor	330Ω,0805,1/8W,±5%	07-90331-01	SM/R_0805
R314	Chip Resistor	330Ω,0805,1/8W,±5%	07-90331-01	SM/R_0805
R315	Chip Resistor	10KΩ,0805,1/8W,±5%	07-90103-01	SM/R_0805
R316	Chip Resistor	10KΩ,0805,1/8W,±5%	07-90103-01	SM/R_0805
R317	Chip Resistor	10KΩ,0805,1/8W,±5%	07-90103-01	SM/R_0805
R318	Chip Resistor	10KΩ,0805,1/8W,±5%	07-90103-01	SM/R_0805
R319	Chip Resistor	10KΩ,0805,1/8W,±5%	07-90103-01	SM/R_0805
R320	Chip Resistor	10KΩ,0805,1/8W,±5%	07-90103-01	SM/R_0805
R321	Chip Resistor	10KΩ,0805,1/8W,±5%	07-90103-01	SM/R_0805
R322	Chip Resistor	10KΩ,0805,1/8W,±5%	07-90103-01	SM/R_0805
R323	Chip Resistor	10KΩ,0805,1/8W,±5%	07-90103-01	SM/R_0805
R324	Chip Resistor	10KΩ,0805,1/8W,±5%	07-90103-01	SM/R_0805
R325	Chip Resistor	10KΩ,0805,1/8W,±5%	07-90103-01	SM/R_0805
R326	Chip Resistor	10KΩ,0805,1/8W,±5%	07-90103-01	SM/R_0805
R327	Chip Resistor	10KΩ,0805,1/8W,±5%	07-90103-01	SM/R_0805
R328	Chip Resistor	10KΩ,0805,1/8W,±5%	07-90103-01	SM/R_0805
R329	Chip Resistor	10KΩ,0805,1/8W,±5%	07-90103-01	SM/R_0805
R330	Chip Resistor	10KΩ,0805,1/8W,±5%	07-90103-01	SM/R_0805
R331	Chip Resistor	10KΩ,0805,1/8W,±5%	07-90103-01	SM/R_0805
R332	Chip Resistor	10KΩ,0805,1/8W,±5%	07-90103-01	SM/R_0805
R333	Chip Resistor	10KΩ,0805,1/8W,±5%	07-90103-01	SM/R_0805
R334	Chip Resistor	10KΩ,0805,1/8W,±5%	07-90103-01	SM/R_0805
R335	Chip Resistor	10KΩ,0805,1/8W,±5%	07-90103-01	SM/R_0805

ELECTRICAL PARTS LIST

DESIGNATOR	DESCRIPTION	PART TYPE	PART NUMBER	FOOTPRINT
R336	Chip Resistor	10K Ω ,0805,1/8W, \pm 5%	07-90103-01	SM/R_0805
R337	Chip Resistor	10K Ω ,0805,1/8W, \pm 5%	07-90103-01	SM/R_0805
R338	Chip Resistor	10K Ω ,0805,1/8W, \pm 5%	07-90103-01	SM/R_0805
R339	Chip Resistor	10K Ω ,0805,1/8W, \pm 5%	07-90103-01	SM/R_0805
R340	Chip Resistor	10K Ω ,0805,1/8W, \pm 5%	07-90103-01	SM/R_0805
R341	Chip Resistor	10K Ω ,0805,1/8W, \pm 5%	07-90103-01	SM/R_0805
R342	Chip Resistor	10K Ω ,0805,1/8W, \pm 5%	07-90103-01	SM/R_0805
R343	Chip Resistor	330 Ω ,0805,1/8W, \pm 5%	07-90331-01	SM/R_0805
R344	Chip Resistor	470 Ω ,0805,1/8W, \pm 5%	07-90471-01	SM/R_0805
R349	Chip Resistor	10K Ω ,0805,1/8W, \pm 5%	07-90103-01	SM/R_0805
R350	Chip Resistor	360 Ω ,0805,1/8W, \pm 5%	07-90361-01	SM/R_0805
CAPACITOR				
C301	ALU Electrolytic Capacitor	47uF/16V, 20%, 105 °C	06-47011-00	CPCYL1/D.200/LS.200/.031
CONNECTOR				
P301B	HOUSING	FPC-1.0-16P 直/1.0-11-16P	13-21016-04	
S301	Tact Switch	IT-1102-1160-RS	11-04101-04	
PLASTIC PARTS				
For D301	Sleeve	ABS/BLACK	75-062001-0	
For D302	Sleeve	ABS/BLACK	75-062001-0	
For D303	Sleeve	ABS/BLACK	75-062001-0	
For D304	Sleeve	ABS/BLACK	75-062001-0	
For D305	Sleeve	ABS/BLACK	75-062001-0	
For D306	Sleeve	ABS/BLACK	75-062001-0	
For D307	Sleeve	ABS/BLACK	75-062001-0	
For D309	Sleeve	ABS/BLACK	75-062001-0	
P/N 01-97704-00 PCB4 BOARD (TRIGGER BOARD)				
DIODE				
D401	Zener Diode	24V, 1/2W	33-12400-00	DAX/.300X.080/.031
D402	Zener Diode	24V, 1/2W	33-12400-00	DAX/.300X.080/.031
D403	Zener Diode	24V, 1/2W	33-12400-00	DAX/.300X.080/.031
D404	Zener Diode	24V, 1/2W	33-12400-00	DAX/.300X.080/.031
D405	Zener Diode	4V7,1/2W,DO-35	33-14709-00	DAX/.300X.080/.031
RESISTOR				
R401	Metal Film Resistor	26.1K Ω , 1/6W, 1%	07-22612-50	AX/.200X.080/.031
R402	Metal Film Resistor	26.1K Ω , 1/6W, 1%	07-22612-50	AX/.200X.080/.031
R403	Metal Film Resistor	26.1K Ω , 1/6W, 1%	07-22612-50	AX/.200X.080/.031
R404	Metal Film Resistor	26.1K Ω , 1/6W, 1%	07-22612-50	AX/.200X.080/.031
R405	Metal Film Resistor	1K Ω , 1/6W, 1%	07-21001-50	AX/.200X.080/.031
R406	Metal Film Resistor	1K Ω , 1/6W, 1%	07-21001-50	AX/.200X.080/.031
R407	Metal Film Resistor	1K Ω , 1/6W, 1%	07-21001-50	AX/.200X.080/.031
R408	Metal Film Resistor	1K Ω , 1/6W, 1%	07-21001-50	AX/.200X.080/.031
R409	Metal Film Resistor	1K Ω , 1/6W, 1%	07-21001-50	AX/.200X.080/.031
R410	Metal Film Resistor	1K Ω , 1/6W, 1%	07-21001-50	AX/.200X.080/.031
R411	Metal Film Resistor	1K Ω , 1/6W, 1%	07-21001-50	AX/.200X.080/.031
R412	Metal Film Resistor	1K Ω , 1/6W, 1%	07-21001-50	AX/.200X.080/.031
R413	Metal Film Resistor	10K Ω , 1/6W, 1%	07-21002-50	AX/.200X.080/.031
R414	Metal Film Resistor	1K Ω , 1/6W, 1%	07-21001-50	AX/.200X.080/.031
R415	Metal Film Resistor	1K Ω , 1/6W, 1%	07-21001-50	AX/.200X.080/.031
CAPACITOR				
C401	ALU Electrolytic Capacitor	10uF/50V, 20%, 105 °C	06-10051-01	CPCYL1/D.200/LS.200/.031
C402	ALU Electrolytic Capacitor	10uF/50V, 20%, 105 °C	06-10051-01	CPCYL1/D.200/LS.200/.031
C403	ALU Electrolytic Capacitor	10uF/50V, 20%, 105 °C	06-10051-01	CPCYL1/D.200/LS.200/.031
C404	ALU Electrolytic Capacitor	10uF/50V, 20%, 105 °C	06-10051-01	CPCYL1/D.200/LS.200/.031
CONNECTOR				
P401B	Connector Socket	PH 2.0A-12A	13-22012-00	
J401	HEADPHONE SOCKET	CKX-3.5-20A / LJE0366DS-5	17-07001-07	
SWITCH				
S401	Slide Switch	SSSU142NA1	J11-05402-00	
METAL PARTS				
	BRACKET 6	HS4-T972-B009V2-M010	66-010010-0	
FASTENERS				
	self screw	STB3x6	61-023106-0	
AH P/N : 01-97705-10 C P/N : 01-97705-20 PCB5 BOARD (STANDBY BOARD)				
DIODE				
D501	Super Fast Recovery Rectifier Diode	FR107, Pitch=8mm	33-20107-00	DAX/.400X.100/.039
D502	Transient Suppressor	P6KE-200A	33-26200-00	AX/.600X.125/.039
D503	Switch Diode	1N4148	33-44148-00	DAX/.300X.080/.031
D504	Switch Diode	1N5819	33-25819-00	DAX/.400X.100/.039

ELECTRICAL PARTS LIST

DESIGNATOR	DESCRIPTION	PART TYPE	PART NUMBER	FOOTPRINT
D505	Switch Diode	1N4148	33-44148-00	DAX/.300X.080/.031
BR501	Rectifier Bridge	B6S, 0.8A 600V	33-30062-00	MBS
IC				
IC501	Power controller IC	TNY274PN	03-00274-00	DIP-8C
IC502	Shunt Regulator	TL431	03-00431-02	TO-92
PC501	Photocoupler	PC817X1J000F	03-00817-06	DIP4
PC501	Photocoupler	PC817A DIP4	03-00817-01	DIP4
RESISTOR				
R501	Metal Film Resistor	22K Ω , 1/6W, \pm 5%	07-20223-50	AX/.200X.100/.031
R502	Metal Film Resistor	10 Ω , 1/6W, \pm 5%	07-20100-50	AX/.200X.100/.031
R503	Metal Film Resistor	100 Ω , 1/6W, \pm 5%	07-20101-50	AX/.200X.100/.031
R504	Metal Film Resistor	1K Ω , 1/6W, \pm 5%	07-20102-50	AX/.200X.100/.031
R505	Metal Film Resistor	5K1 Ω , 1/6W, \pm 1%	07-25101-50	AX/.200X.100/.031
R506	Metal Film Resistor	5K1 Ω , 1/6W, \pm 1%	07-25101-50	AX/.200X.100/.031
R507	Metal film Resistor	R181 1M Ω , 1/2W, \pm 5%	A07-30105-03	Pitch=11.5mm
RV501	Inrush Current Limiter	SL32 0R530	A07-70059-00	RAD/1.110X.180/LS.300/.047
CAPACITOR				
C501	Interfernece Suppression Cap	MKP62,330nF,275VAC, \pm 20%	A25-33422-08	17.5*13.5*7.5mm
C502	Alu Electrolytic Capacitor	CD11H,10uF,400V, \pm 20%	06-10042-00	Pitch=5mm,10*20mm
C503	Alu Electrolytic Capacitor	CD263(X),10uF,50V, \pm 20%,105 $^{\circ}$ C,F5.0	06-10051-01	CPCYL1/D.300/LS.200/.031
C504	Metallized Polyester Film Capacitor	100nF, \pm 5%, 63V, CL23B	25-10461-07	Pitch=5mm
C505	Y Capacitor	CT81, 1nF, Y Type	A05-10242-00	Pitch=10mm
C506	Alu Electrolytic Capacitor	CD286, 220uF, 16V, \pm 20%, 105 $^{\circ}$ C, F5.0	06-22111-21	CPCYL1/D.300/LS.200/.031
C507	Metallized Polyester Film Capacitor	100nF, \pm 5%, 63V, CL23B	25-10461-07	Pitch=5mm
C508	Metallized Polyester Film Capacitor	100nF, \pm 5%, 63V, CL23B	25-10461-07	Pitch=5mm
C509	Alu Electrolytic Capacitor	CD286, 220uF, 16V, \pm 20%, 105 $^{\circ}$ C, F5.0	06-22111-21	CPCYL1/D.300/LS.200/.031
C510	Interfernece Suppression Cap	MPX,0.1uF/275V,13mm*6mm,10%	A25-10422-07	Pitch=10mm
JUMPER				
W503	JUMPER	15mm	21-10151-00	15mm
W504	JUMPER	15mm	21-10151-00	15mm
W505	JUMPER	7.5mm	21-10750-00	7.5mm
INDUCTOR				
L501	INDUCTOR	10uH	19-35980-00	AX/.400X.100/.031
TR501	Transformer	EE16S977 Suzhou Hejia	A22-00016-33	EE16
TR502	Current Transformer	DHCT3 10A/4mA	18-52510-00	
TR503	Inductor	HJ-10mH UU9.8	22-00098-00	UU9.8
FUSE and FUSE HOLDER				
F501	FUSE	0618001MXP, T1AL/250V	A20-12102-00	
For F501	FUSE Holder	CQ-200C	JA20-20000-06	
RELAY				
RL501	RELAYS	832A-1A-C-BH DC5V	A12-03101-02	
CONNECTOR				
P504B	Connector Socket	VH 3.96A-2A	13-23902-00	
P506B	Connector	XHB 2.5A-4A	13-22504-00	
P505B	Connector Socket	4PIN7.5C,43160-2104	13-27504-00	
P502B	PCB Terminal(KY250)	6.3-1	32-26308-06	
P501B	PCB Terminal	PCFS250L	32-26304-10	
	WIRE	UL1672#16AWG,L=150mm	A14-97701-00	
ACCESSORIES				
For RV501	HEAT SHRINKING TUBE	Φ 20	78-000200-0	
P/N 01-97706-00 PCB6 BOARD (CONNECTION BOARD)				
TRANSISTOR				
Q601	Transistor	A1015	31-01015-03	SOT23
IC				
IC601	MCU	STC12C5A16S2-35I-LQFP44	03-00162-01	QFP44-2
RESISTOR				
R601	Chip Resistor	22K Ω ,0805,1/8W, \pm 5%	07-90223-01	SM/R_0805
R602	Chip Resistor	100K Ω ,0805,1/8W, \pm 5%	07-90104-01	SM/R_0805
R603	Chip Resistor	1K Ω ,0805,1/8W, \pm 5%	07-90102-01	SM/R_0805
R606	Chip Resistor	22K Ω ,0805,1/8W, \pm 5%	07-90223-01	SM/R_0805
R608	Chip Resistor	1K Ω ,0805,1/8W, \pm 5%	07-90102-01	SM/R_0805
R609	Chip Resistor	10K Ω ,0805,1/8W, \pm 5%	07-90103-01	SM/R_0805
R610	Chip Resistor	10K Ω ,0805,1/8W, \pm 5%	07-90103-01	SM/R_0805
R611	Chip Resistor	10K Ω ,0805,1/8W, \pm 5%	07-90103-01	SM/R_0805
R612	Chip Resistor	10K Ω ,0805,1/8W, \pm 5%	07-90103-01	SM/R_0805
R613	Chip Resistor	10K Ω ,0805,1/8W, \pm 5%	07-90103-01	SM/R_0805
R614	Chip Resistor	10K Ω ,0805,1/8W, \pm 5%	07-90103-01	SM/R_0805

ELECTRICAL PARTS LIST

DESIGNATOR	DESCRIPTION	PART TYPE	PART NUMBER	FOOTPRINT
R615	Chip Resistor	10K Ω ,0805,1/8W, \pm 5%	07-90103-01	SM/R_0805
CAPACITOR				
C601	Ceramic Chip Capacitor	100nK,50V,0805,X7R	26-10451-11	SM/C_0805
C602	Tan Capacitor	47uF,25V, \pm 10%	27-47021-02	CASE-D(7343-31)
C603	Tan Capacitor	47uF,25V, \pm 10%	27-47021-02	CASE-D(7343-31)
C605	Ceramic Chip Capacitor	22PJ,50V,0805,NPO	26-22051-01	SM/C_0805
C606	Ceramic Chip Capacitor	22PJ,50V,0805,NPO	26-22051-01	SM/C_0805
C608	Ceramic Chip Capacitor	100nK,50V,0805,X7R	26-10451-11	SM/C_0805
C609	Ceramic Chip Capacitor	100nK,50V,0805,X7R	26-10451-11	SM/C_0805
C610	Ceramic Chip Capacitor	100nK,50V,0805,X7R	26-10451-11	SM/C_0805
C611	Ceramic Chip Capacitor	100nK,50V,0805,X7R	26-10451-11	SM/C_0805
C612	Ceramic Chip Capacitor	100nK,50V,0805,X7R	26-10451-11	SM/C_0805
C613	Ceramic Chip Capacitor	100nK,50V,0805,X7R	26-10451-11	SM/C_0805
C614	Ceramic Chip Capacitor	100nK,50V,0805,X7R	26-10451-11	SM/C_0805
C615	Ceramic Chip Capacitor	100nK,50V,0805,X7R	26-10451-11	SM/C_0805
C616	Ceramic Chip Capacitor	100nK,50V,0805,X7R	26-10451-11	SM/C_0805
Crystal				
X602	Crystal	11.0592MHz,CL=15pF,HC-49U/S	04-11102-00	
For X602		QW-3	75-040001-0	
JUMPER				
W601	Link(ϕ 1.0)	L=15mm	21-10151-00	
W602	Link(ϕ 1.0)	L=15mm	21-10151-00	
W603	Link(ϕ 1.0)	L=15mm	21-10151-00	
BUS601	Bus Bar	HS4-T972-B009V1-M016	69-010002-0	
BUS602	Bus Bar	HS4-T972-B009V1-M016	69-010002-0	
BUS603	Bus Bar	HS4-T972-B009V1-M016	69-010002-0	
BUS604	Bus Bar	HS4-T972-B009V1-M016	69-010002-0	
BUS605	Bus Bar	HS4-T972-B009V1-M016	69-010002-0	
BUS606	Bus Bar	HS4-T972-B009V1-M016	69-010002-0	
BUS607	Bus Bar	HS4-T972-B009V1-M016	69-010002-0	
BUS608	Bus Bar	HS4-T972-B009V1-M016	69-010002-0	
CONNECTOR				
P601B	FFC Connector	MOLEX 52207-1685	13-21016-01	
P602B	FFC Connector	MOLEX 52207-1685	13-21016-01	
P603B	CONNECTOR	2.0mm 10Pin,S10B-PH-SM4-TB(LF)(SN)	13-22010-01	
P604B	Connector Socket	MOLEX 2145/3215 TOP ENTRY/9PIN,26-01-1099	13-25009-00	
P605B	Connector Socket	MOLEX 2145/3215 TOP ENTRY/9PIN,26-01-1099	13-25009-00	
P606B	Connector Socket	MOLEX 2145/3215 TOP ENTRY/9PIN,26-01-1099	13-25009-00	
P607B	Connector Socket	MOLEX 2145/3215 TOP ENTRY/9PIN,26-01-1099	13-25009-00	
P608B	Connector Socket	MOLEX 2145/3215 TOP ENTRY/9PIN,26-01-1099	13-25009-00	
P609B	Connector Socket	MOLEX 2145/3215 TOP ENTRY/9PIN,26-01-1099	13-25009-00	
P610B	Connector Socket	MOLEX 2145/3215 TOP ENTRY/9PIN,26-01-1099	13-25009-00	
P611B	Connector Socket	MOLEX 2145/3215 TOP ENTRY/9PIN,26-01-1099	13-25009-00	
P612B	Connector Socket	MOLEX 2145/3215 TOP ENTRY/9PIN,26-01-1099	13-25009-00	
P613B	Connector Socket	MOLEX 2145/3215 TOP ENTRY/9PIN,26-01-1099	13-25009-00	
P614B	Connector Socket	MOLEX 2145/3215 TOP ENTRY/9PIN,26-01-1099	13-25009-00	
P615B	Connector Socket	MOLEX 2145/3215 TOP ENTRY/9PIN,26-01-1099	13-25009-00	
P616B	Connector Socket	MOLEX 2145/3215 TOP ENTRY/9PIN,26-01-1099	13-25009-00	
P617B	Connector Socket	MOLEX 2145/3215 TOP ENTRY/9PIN,26-01-1099	13-25009-00	
P618B	Connector	12920-A580B	14-97312-11	
P619B	Connector Socket	MOLEX 5145-NCH TOP ENTRY/8PIN,26-01-1089	13-25008-00	
P620B	Connector Socket	MOLEX 5145-NCH TOP ENTRY/8PIN,26-01-1089	13-25008-00	
P621B	Connector Socket	XHB 2.5A-2A	13-22502-00	
P622B	Connector Socket	XHB 2.5A-2A	13-22502-00	
P623B	Connector Socket	XHB 2.5A-2A	13-22502-00	
P624B	Connector	XHB 2.5A-4AW	13-22504-05	
METAL PARTS				
	Bracket	HS4-T972-B009V2-M006	66-010006-0	
FASTENERS				
	Self Tapping Screw	STB3x6	61-023106-0	
P/N	01-97509-00	PCB7 BOARD (TP Board)		
SWITCH				
TP901	Thermal Breaker	ST-22 115C L TYPE	07-70022-11	
TP901	Thermal Breaker	ST-22 115C W TYPE	07-70022-12	
TP902	Thermal Breaker	ST-22 115C L TYPE	07-70022-11	
TP902	Thermal Breaker	ST-22 115C W TYPE	07-70022-12	
TP903	Thermal Breaker	ST-22 115C L TYPE	07-70022-11	
TP903	Thermal Breaker	ST-22 115C W TYPE	07-70022-12	
TP904	Thermal Breaker	ST-22 115C L TYPE	07-70022-11	
TP904	Thermal Breaker	ST-22 115C W TYPE	07-70022-12	

ELECTRICAL PARTS LIST

DESIGNATOR	DESCRIPTION	PART TYPE	PART NUMBER	FOOTPRINT
	Heat Shrinking Tube	Φ1	78-000010-0	
METAL PARTS				
For TP901	Tem. SW Clamper	65Mn HRC48-52	66-018005-0	
For TP902	Tem. SW Clamper	65Mn HRC48-52	66-018005-0	
For TP903	Tem. SW Clamper	65Mn HRC48-52	66-018005-0	
For TP904	Tem. SW Clamper	65Mn HRC48-52	66-018005-0	
FASTENERS				
	self screw	BTB3×10	61-023210-0	
	self screw	BTB2.6×5	61-022205-6	
CONNECTORS				
J204	Connector	2P2.54	13-12502-02	
Accessory				
For J204	Heat Shrinking Tube	Φ5×80	78-000050-0	
Assembly Parts				
TRANSFORMER				
	TRANSFORMER	TI-69860L	JA18-97732-00	
FUSE HOLDER				
	FUSE HOLDER	HTB-32I	A20-20000-03	
AC INLET				
	AC Inlets	R-301(00)	A17-07003-01	
CONNECTOR				
	Connector Ribbon	1.0mm,16pin, L=230mm	14-52516-10	
	Connector Ribbon	One terminal:KST FDFD2-187(8), another terminal: KST FDFD2-250, wire:16AWG 300V,105C 1672#, L=600mm	A14-97301-00	
	Connector Ribbon	One terminal:KST FDFD2-187(5), another terminal: KST MDFN2-250, wire:16AWG 300V,105C 1672#, L=600mm	A14-97301-01	
	Connector Ribbon	One terminal:KST FDFD2-187(5), another terminal: KST FDFD2-187(8), wire:16AWG 300V,105C 1672#, L=150mm	A14-97301-02	
	Connector Ribbon	One terminal:KST FDFD2-187(8), another terminal: KST RNBL2-4, wire:16AWG 300V,105C , L=150mm	A14-97301-03	
	Connector	FDFD2-250	(13-10001-04)	
	Connector	MDFN2-250	(13-10001-05)	
	Connector	FDFD2-187(8)	(13-10001-06)	
	Connector	FDFD2-187(5)	(13-10001-07)	
	Grounding Tab	天恒 RNBL2-4	(32-20608-00)	