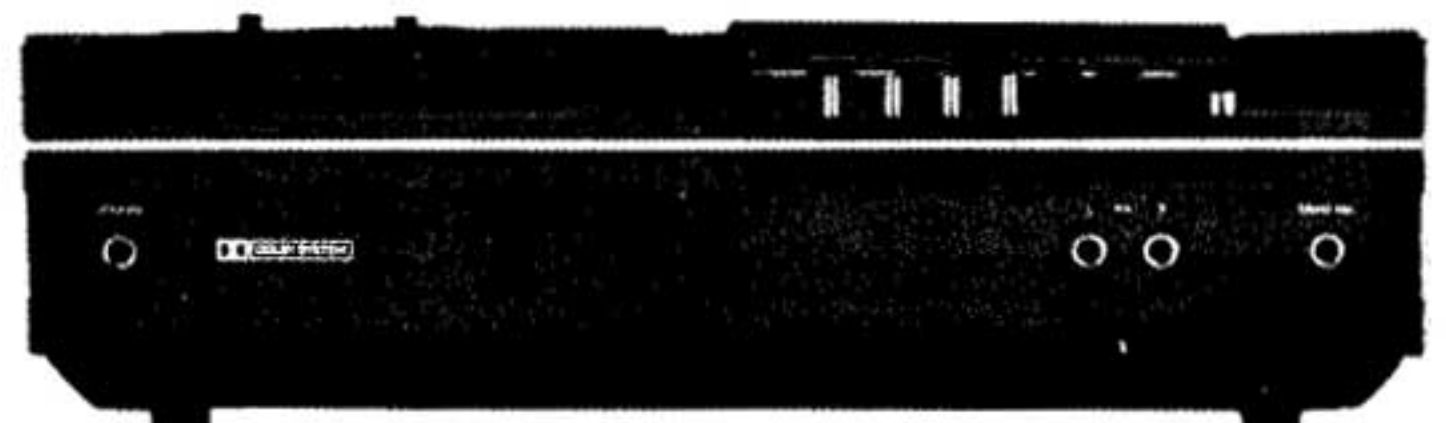
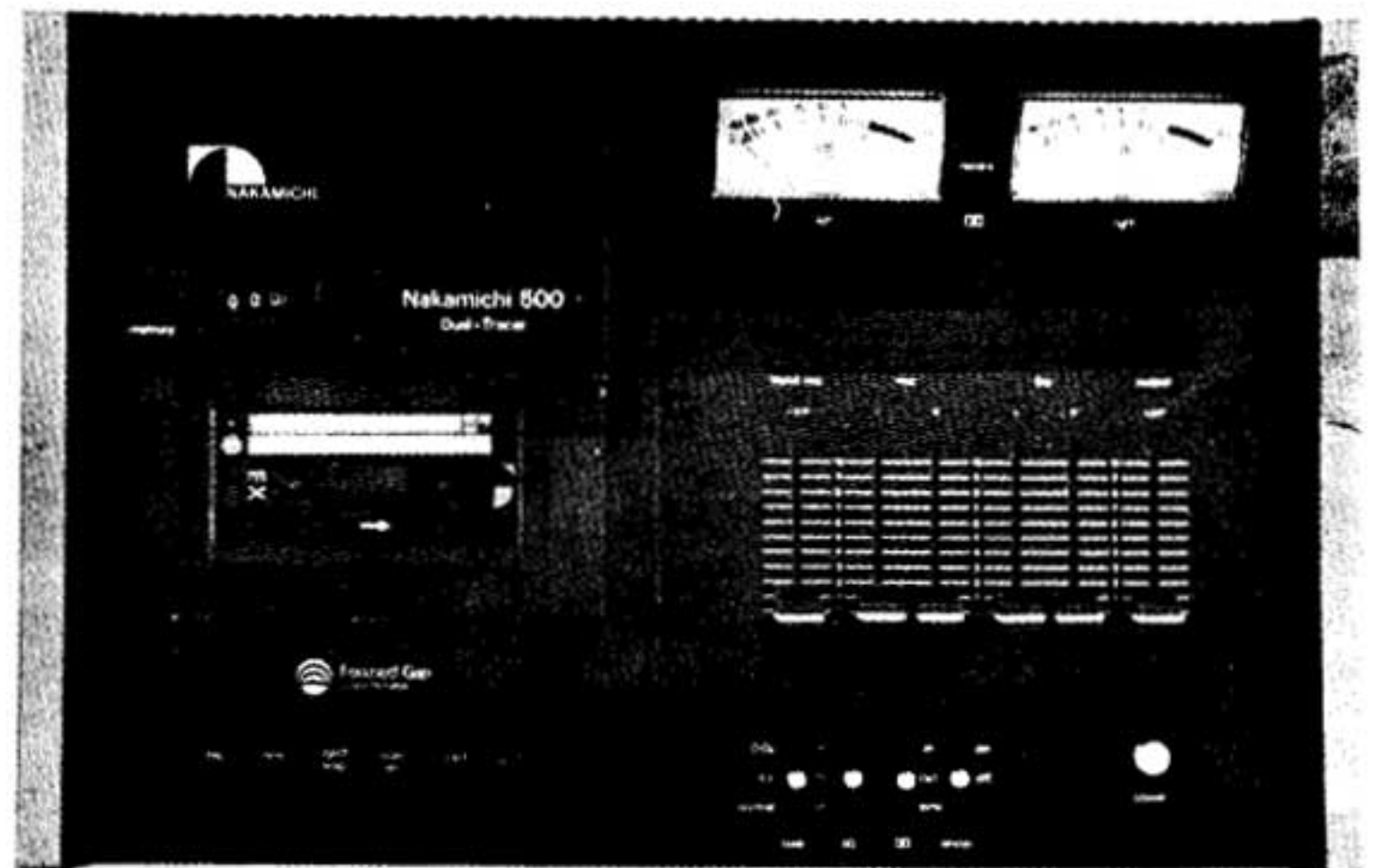




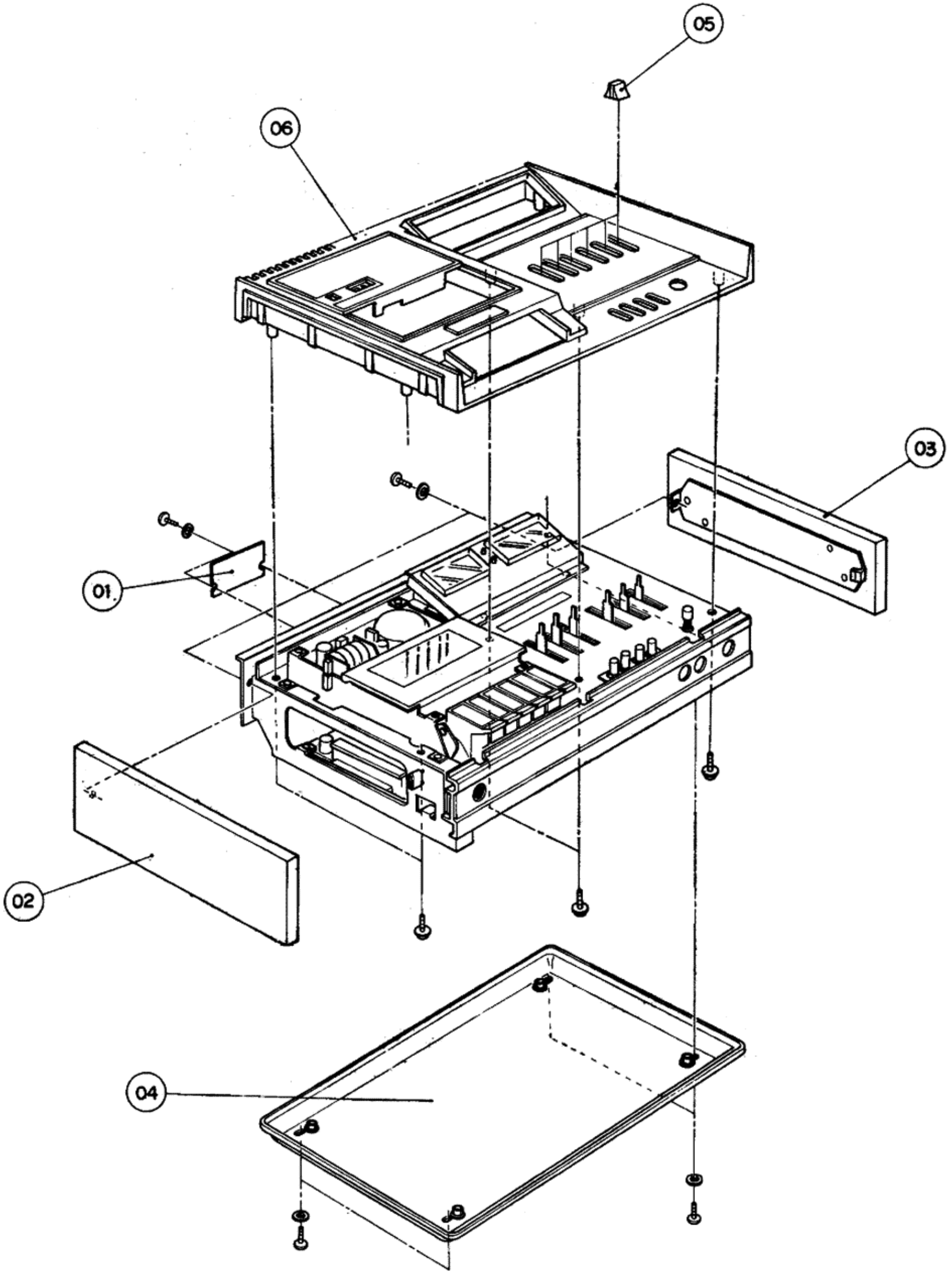
# Service Manual

# Nakamichi 500

Dual-Tracer  
2 Head Cassette System



# CABINET DISASSEMBLY INSTRUCTIONS

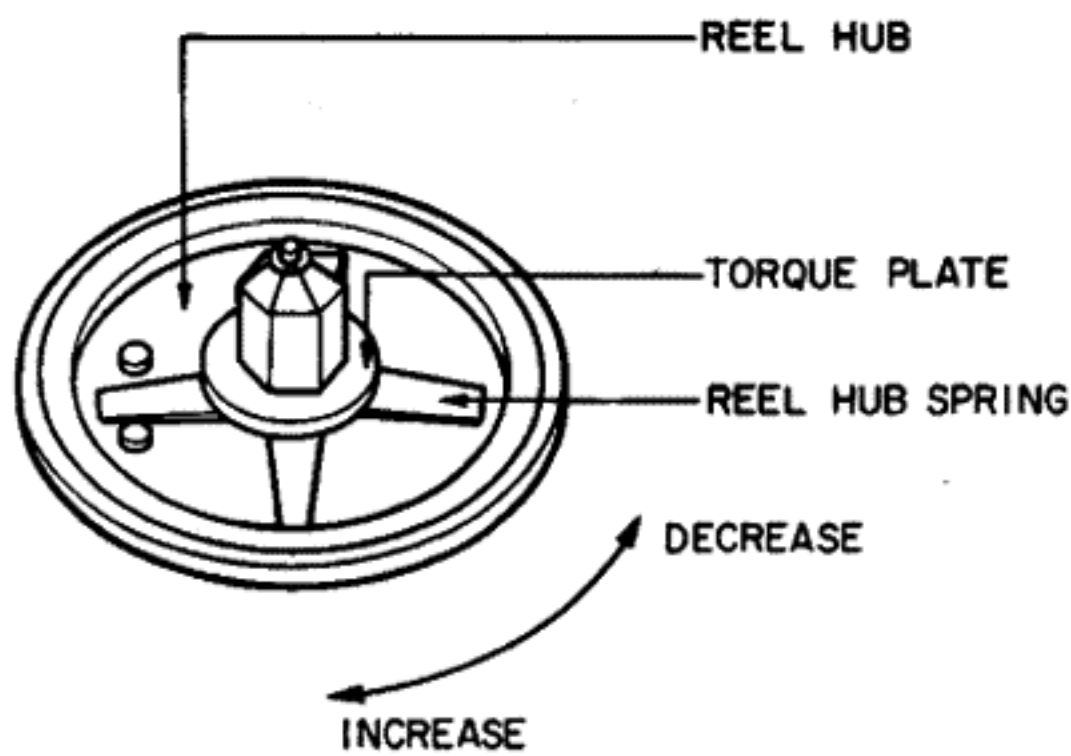


- (1) Remove control knobs 05 from the Cabinet Top.
- (2) Remove 4 screws from the Cabinet Bottom 04 .
- (3) Remove the Cabinet Bottom 04 .
- (4) Remove 2 screws from Rear Panel.
- (5) Pull out the woodframe 02 , 03 .
- (6) Remove 6 screws from the stud of Plastic Cabinet 06 .
- (7) Pull out the Plastic Cabinet 06 .
- (8) All Mechanism and Electronics can be accessible from outside.
- (9) Disassemble of individual Mechanism and Electronics circuit board are shown on later pages.

# MECHANISM ADJUSTMENT PROCEDURE

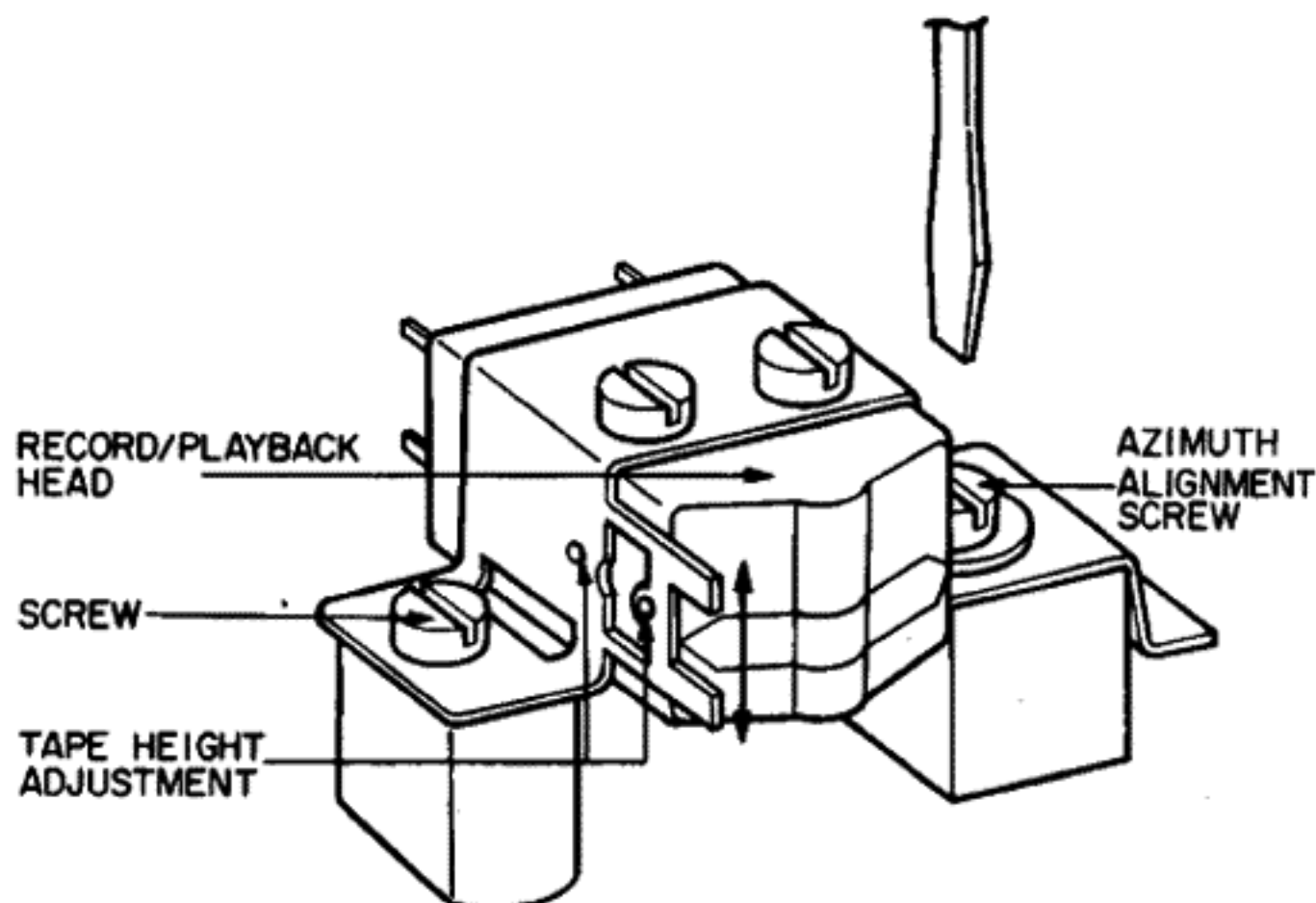
## TAKEUP TORQUE AND SUPPLY TORQUE ADJUSTMENT

- (1) Remove top and bottom cabinets of the cassette recorder.
- (2) Remove cassette case.
- (3) To adjust torque, move Torque Plate as shown in the figure.
- (4) The Takeup Torque should be  $45g \pm 10g$ .
- (5) The Supply Torque should be 35g to 60g.



## RECORD/PLAYBACK HEAD HEIGHT ADJUSTMENT AND AZIMUTH ALIGNMENT

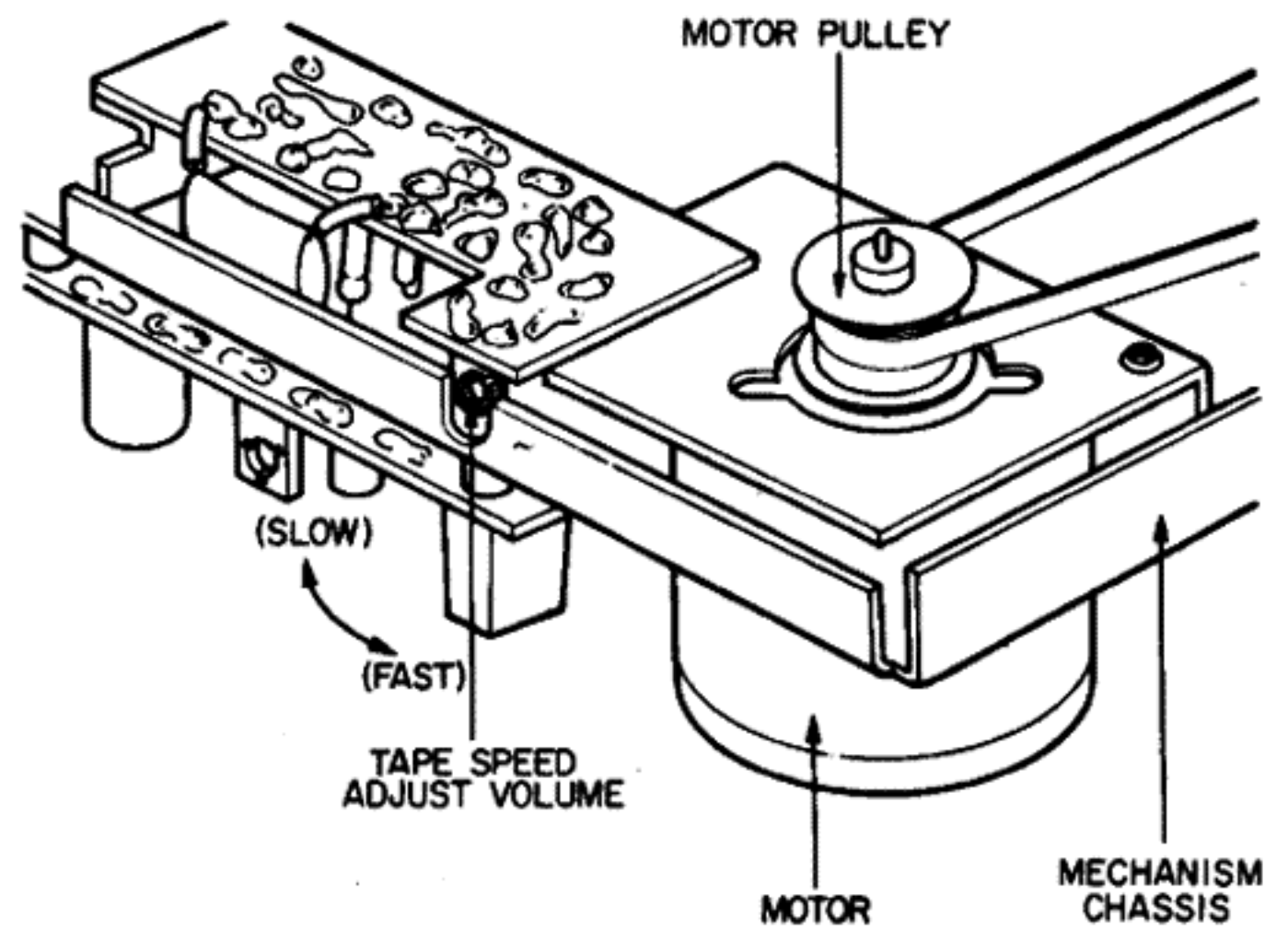
- (1) Connect a VTVM to PLAYBACK output jack.
- (2) Track Alignment Tape for adjusting the Head height.
- (3) Insert the Head height — Adjusting jig into each hole of the tape guide beside the Head. Adjust the jig for minimizing each output signal of the right and left channels.
- (4) 10KHz Test Tape for azimuth alignment.
- (5) Adjust the azimuth alignment screw for maximizing each output signal of the right and left channels.



## TAPE SPEED ADJUSTMENT

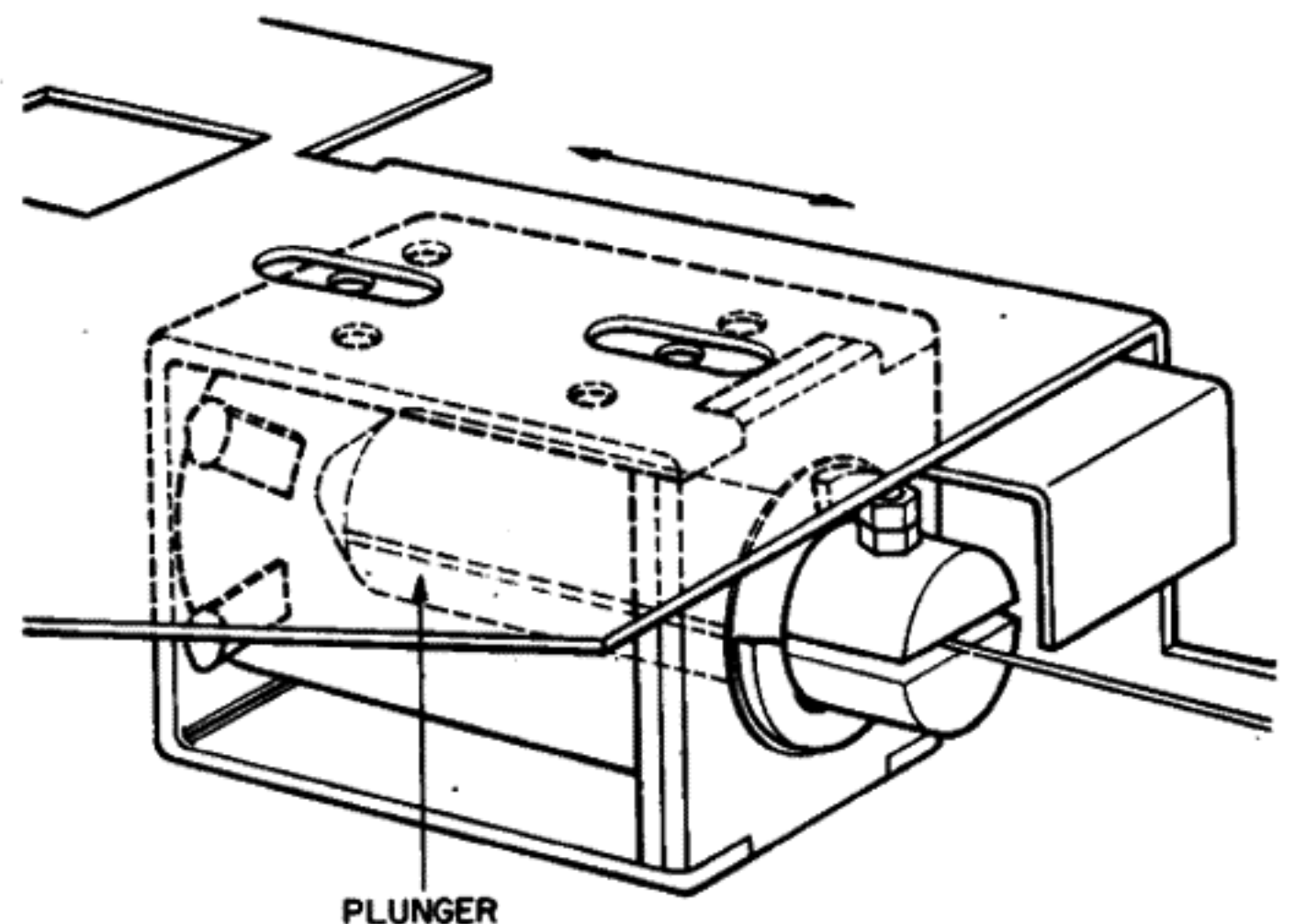
- (1) Connect a frequency counter to either the Left or Right PLAYBACK output jack.
- (2) Insert the alignment cassette and play the 3KHz reference level portion of the tape.
- (3) Adjust the Tape Speed Adjust potentiometer (accessible from the rear apron of the cassette recorder) for an average reading of 3KHz on the frequency counter.

**CAUTION:** The following procedure requires the use of a frequency counter to accurately set the tape speed. Any other method used for speed determination may result in a significant speed error.



## AUTOMATIC PUSH BUTTON RELEASE ADJUSTMENT

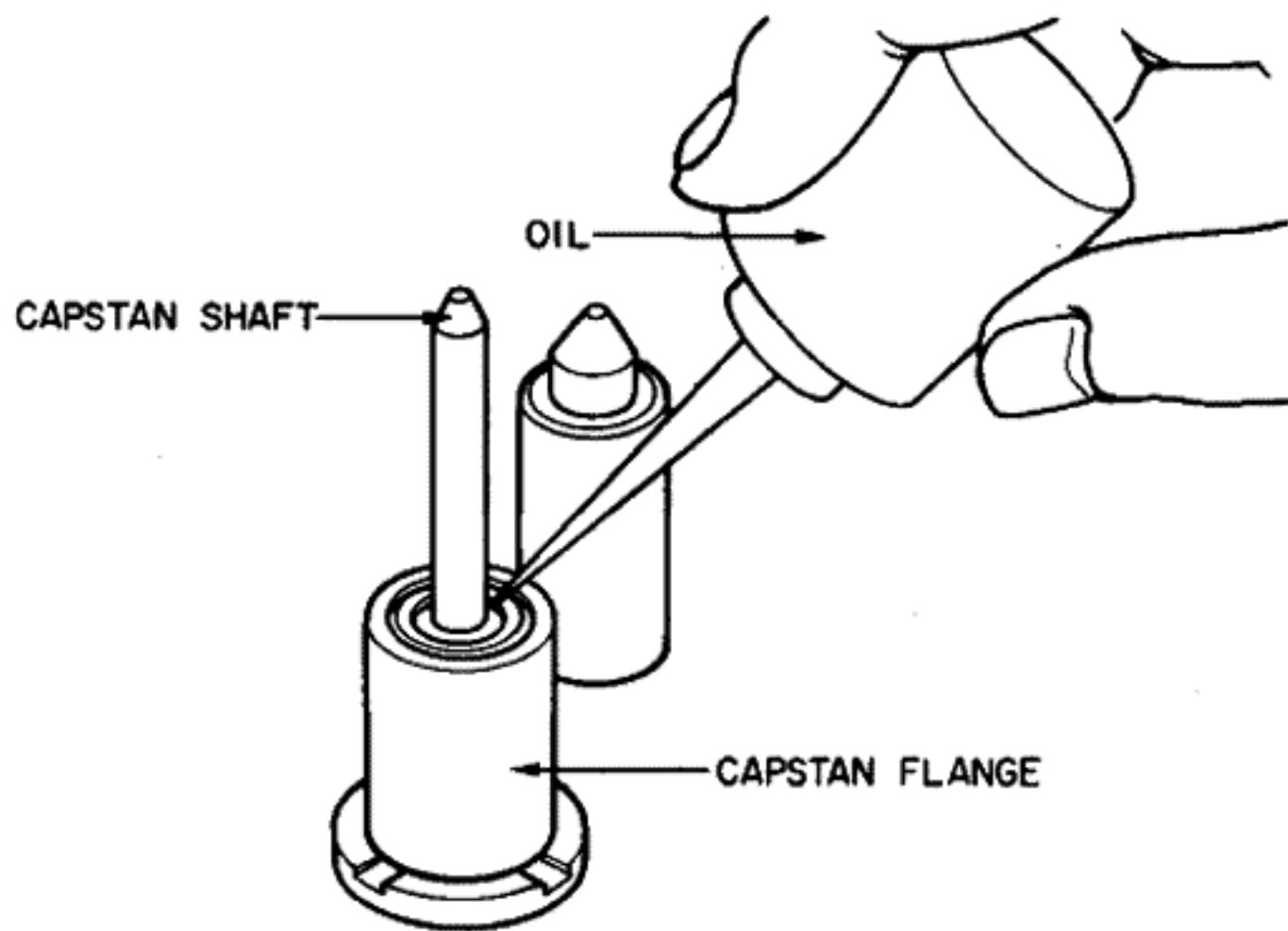
Adjust location the Plunger with the screw, so that the Push Button key can automatically be released when the tape comes to an end in RECORD mode.  
(See illustration below)



# MECHANISM ADJUSTMENT PROCEDURE

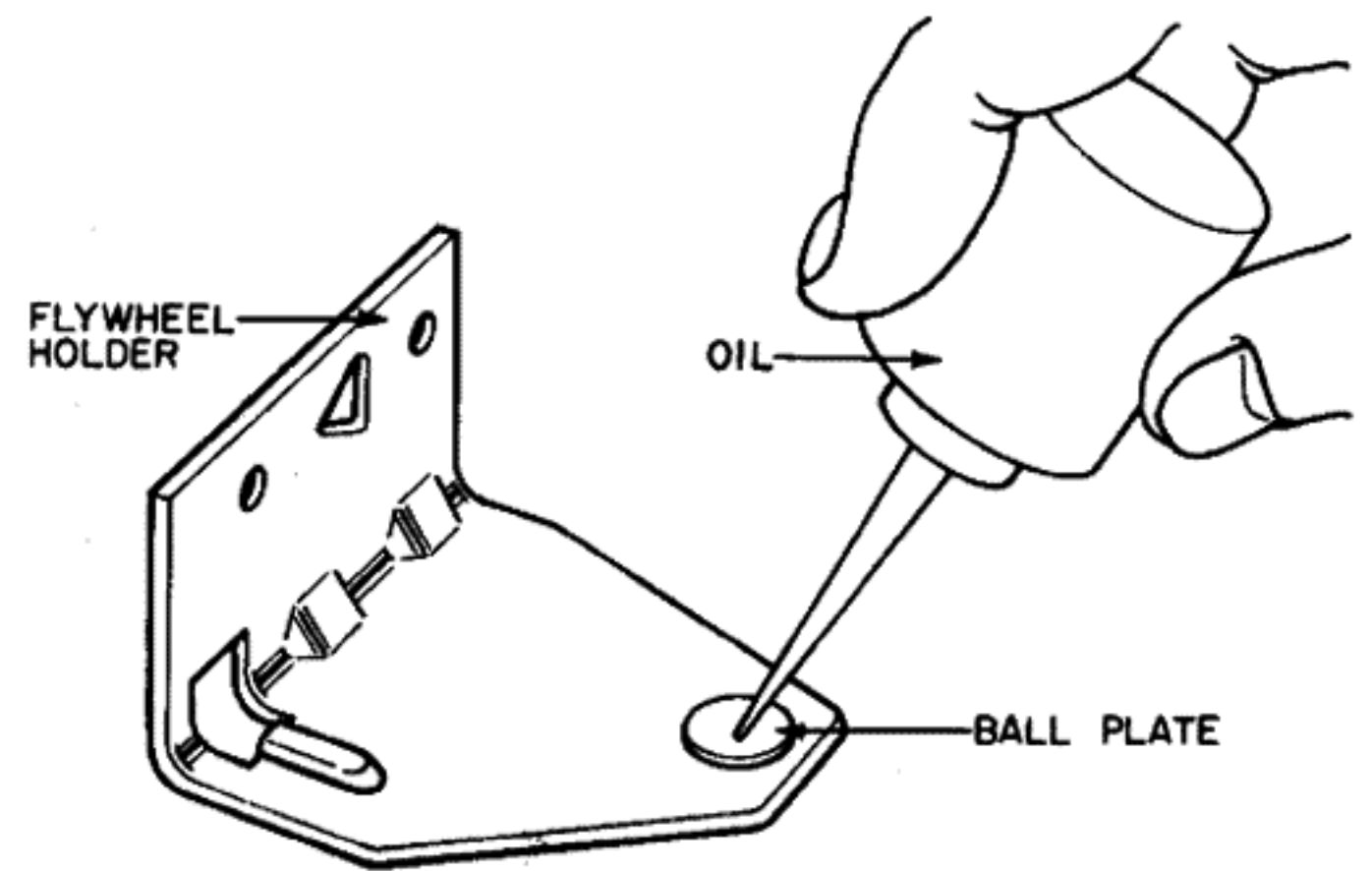
## LUBRICATION

- (1) Remove top panel and take out chassis from the cabinet.
- (2) After 500 hours of use apply a few drops of light machine oil (Mobil DTE Oil or equivalent) between capstan and capstan bearing. See illustration below.



**CAUTION:** Do not allow oil to run at the pressure roller, counter belt, or other rubber parts. If oil touches any of these parts, wipe the parts clean.

**NOTE:** When mounting the Flywheel Holder, be sure to allow the flywheel to play 0.1mm to 0.5mm vertically.



# ELECTRICAL ADJUSTMENT PROCEDURE

STEP	ITEM	SIGNAL SOURCE	OUTPUT CONNECTION	MODE	ADJUST	REMARKS
1	Tape Speed	3 KHz Pre-recorded Test Tape	Wow/Flutter Meter or Frequency Counter to OUTPUT Jack	Playback	Governor Board VR501	Adjust VR501 to obtain 3 KHz
2	Head Azimuth Alignment	10 KHz Pre-recorded Test Tape	VTVM to OUTPUT Jack	Playback	Azimuth Alignment Screw	Adjust the Screw to obtain maximum reading on the VTVM
3	Playback Output Level	400 Hz 20mM/mm Alignment Test Tape	VTVM to Pin 3 & 12 of Connector CN 3 and Chassis Ground	Playback	Main Board VR101 VR201	Adjust the VR101,201 to obtain 580mV on the VTVM
4	Meter Level	400Hz, 0.5V to INPUT Jack	Same as above	Record Pause	Main Board VR102 VR202	1. Adjust VR1,2, Record Level Controls to obtain 580 mV on the VTVM 2. Adjust VR 102, 202 to obtain 0dB on VU meters
5	MPX Filter	19 KHz to INPUT Jack	VTVM to OUTPUT Jack	Record Pause	Main Board L102 L202 MPXSW·ON	Adjust the Coils to obtain minimum reading on the VTVM
6	Record Amplifier Equalizer	17 KHz to INPUT Jack	VTVM across R101, 201	Record Pause	Main Board L103 L203	Adjust the Coils to obtain peak readings at 17 KHz Note: Stop Bias Oscillation
7	Bias Frequency	105 KHz Generator Signal to Oscilloscope Horizontal Terminal	Bias Oscillator Signal at Erase Head to the Scope Vertical Terminal	Record Pause	Main Board T301	Amjust the Coil until a circle pattern appears on the Oscilloscope
			Coupling Erase Head to Frequency Counter	Record Pause	Main Board T301	Adjust the Coil to obtain 105 KHz on the Frequency Counter
8	Bias Trap		VTVM across X109, 209 Collector & Ground	Record Pause	Main Board L104 L204	Adjust the Coils to obtain less than 1V on the VTVM
9	Recording Bias Current	400Hz, 0.5V to INPUT Jack	VTVM to OUTPUT Jack	Record & Playback	Volume Sub Board TR702 802 703 803 704 804	1. Adjust VR1, 2, Record Input Level Controls to obtain 0 dB on the Level Meters 2. Record the signal on blank tape and palyback 3. Repeating Step 2 adjust VR 702, 802 to obtain maximum output on the VTVM (Normal) 4. Repeating Step 2 adjust VR703, 803 to obtain maximum output on the VTVM (EX) 5. Repeating Step 2 adjust VR704, 804 to obtain maximum output on the VTVM (CrO <sub>2</sub> )

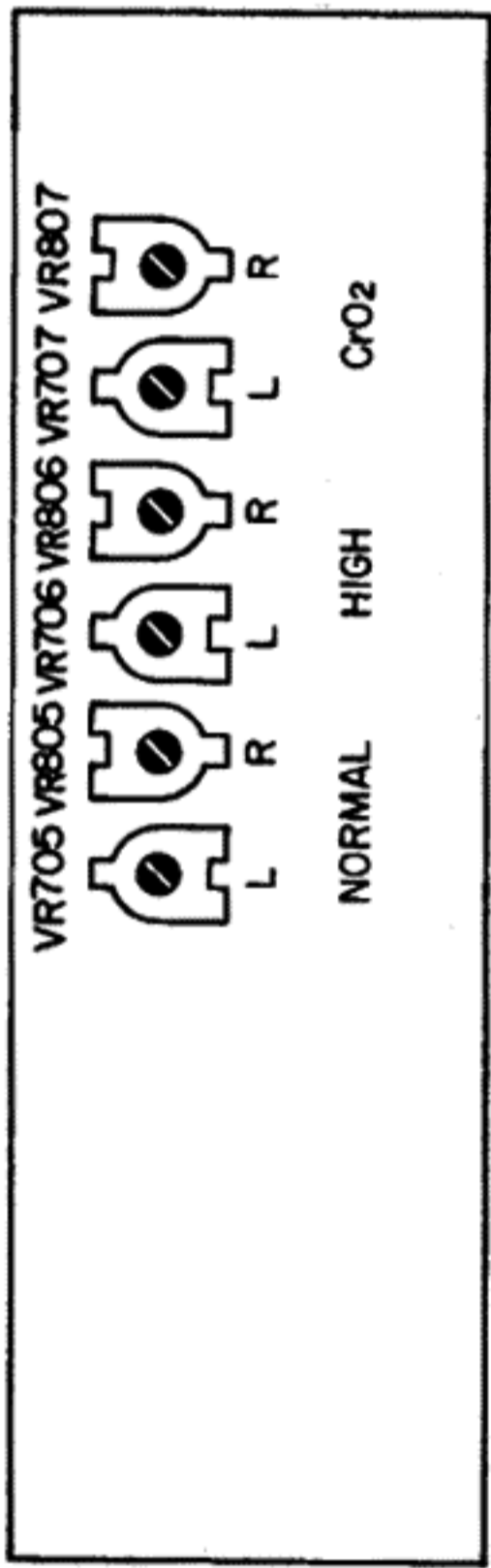
## ELECTRICAL ADJUSTMENT PROCEDURE

STEP	ITEM	SIGNAL SOURCE	OUTPUT CONNECTION	MODE	ADJUST	REMARKS
10	Record/ Playback Output Level	400Hz, 0.5V to INPUT Jack	VTVM to OUTPUT Jack	Record & Playback	REC. CAL. Board VR705 805 706 806 707 807	<ol style="list-style-type: none"> <li>1. Adjust VR1, 2 Record Input Level Controls to obtain 0dB on the Level Meters</li> <li>2. Record the signal on blank tape and playback it</li> <li>3. Repeating Step 2, adjust VR705, 805 to obtain 1 volt on the VTVM, or 0dB on the Level Meters (Normal)</li> <li>4. Repeating Step 2, adjust VR706, 806 to obtain 1 volt on the VTVM, or 0dB on the Level Meters (EX)</li> <li>5. Repeating Step 2, adjust VR707, 807 to obtain 1 volt on the VTVM, or 0dB on the Level Meters (Cr02)</li> </ol>
11	Limiter Level	1KHz, 0.5V to INPUT Jack	VTVM to OUTPUT Jack	Record Pause	Volume sub Board VR701 VR801	<ol style="list-style-type: none"> <li>1. Adjust VR 1. 2 Record Level Controls to obtain 0dB on the Level Meter.</li> <li>2. Set Limiter SW to ON position.</li> <li>3. Adjust VR701, 801, so that the Output Level may be decreased by 1dB.</li> </ol>

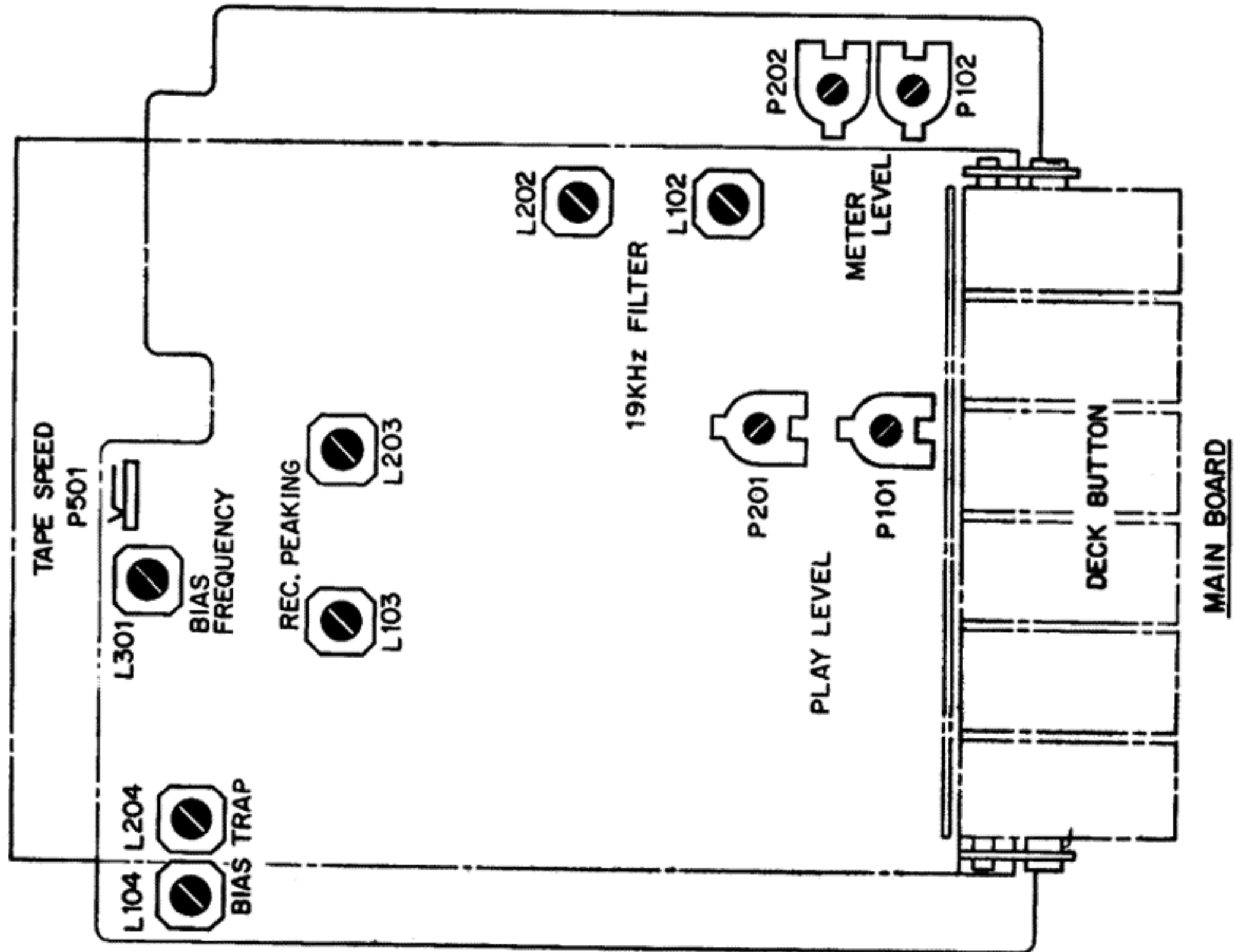
## DOLBY CIRCUIT ALIGNMENT PROCEDURE

- (1) Turn LAW Control VR101, 201 fully counterclockwise.
- (2) Turn GAIN Controls VR102 and VR202 fully counterclockwise.
- (3) Set Dolby Switch (IN-OUT) to OUT position and ground FET Gate Terminal with a jumper wire.
- (4) Connect an AC VTVM to METERING Terminal 3 for the Right channel or 12 for the Left channel.
- (5) Apply 5KHz signals having a proper level to INPUT Terminal 2 for the Right channel or 13 for the Left channel, so that the VTVM reads 17.5mV in each channel.
- (6) Remove the VTVM from Terminal 3 or 12 and reconnect it to OUTPUT Terminal 6 or 9. Note the output voltage on VTVM.
- (7) Set DOLBY Switch to IN position and adjust GAIN Controls VR102 and 202, so that the VTVM indicates 10dB over the noted voltage in Step (6).
- (8) Set DOLBY Switch to IN position. Note the voltage at OUTPUT Terminal 6 for the Right channel or 9 for the Left channel.
- (9) Remove the jumper wire from the FET Gate Terminal. Adjust the LAW Controls VR101 and VR201, so that the voltage at OUTPUT Terminals 6 and 9 read 2dB below the noted voltage in step (8).

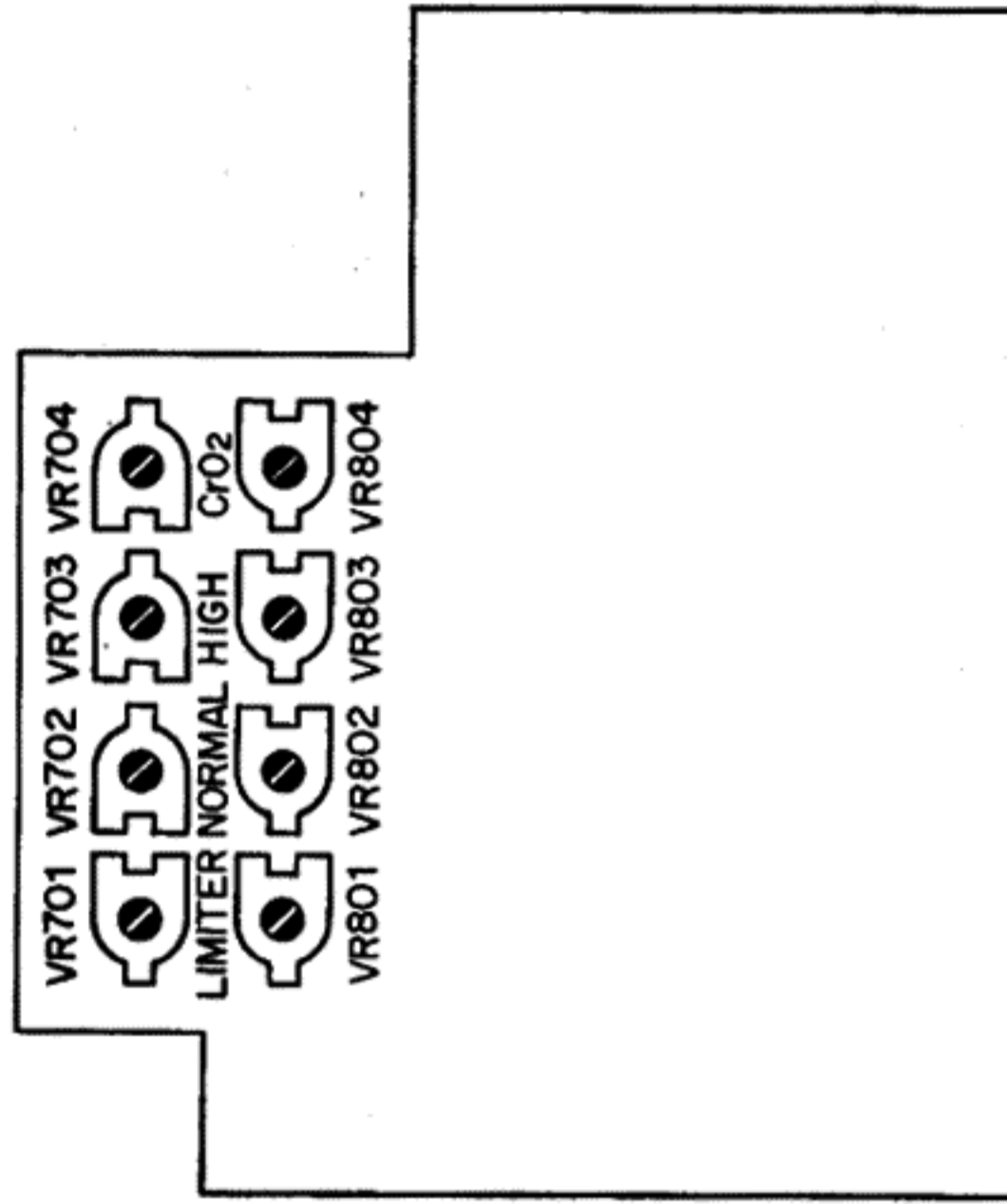
# PARTS LOCATION OF ELECTRICAL ADJUSTMENT



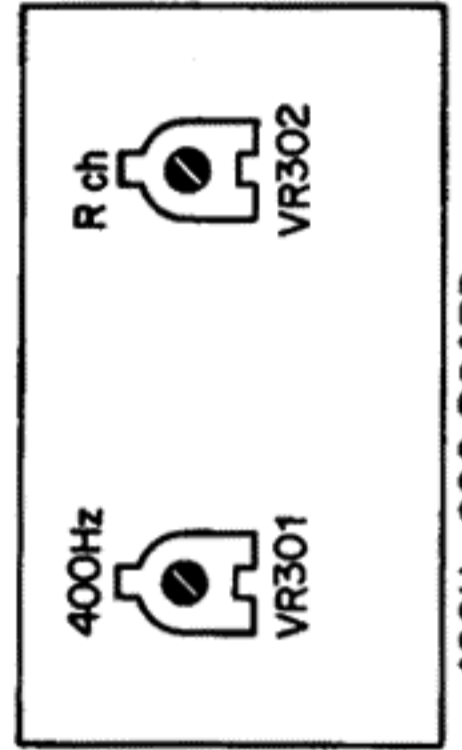
REC CAL BOARD



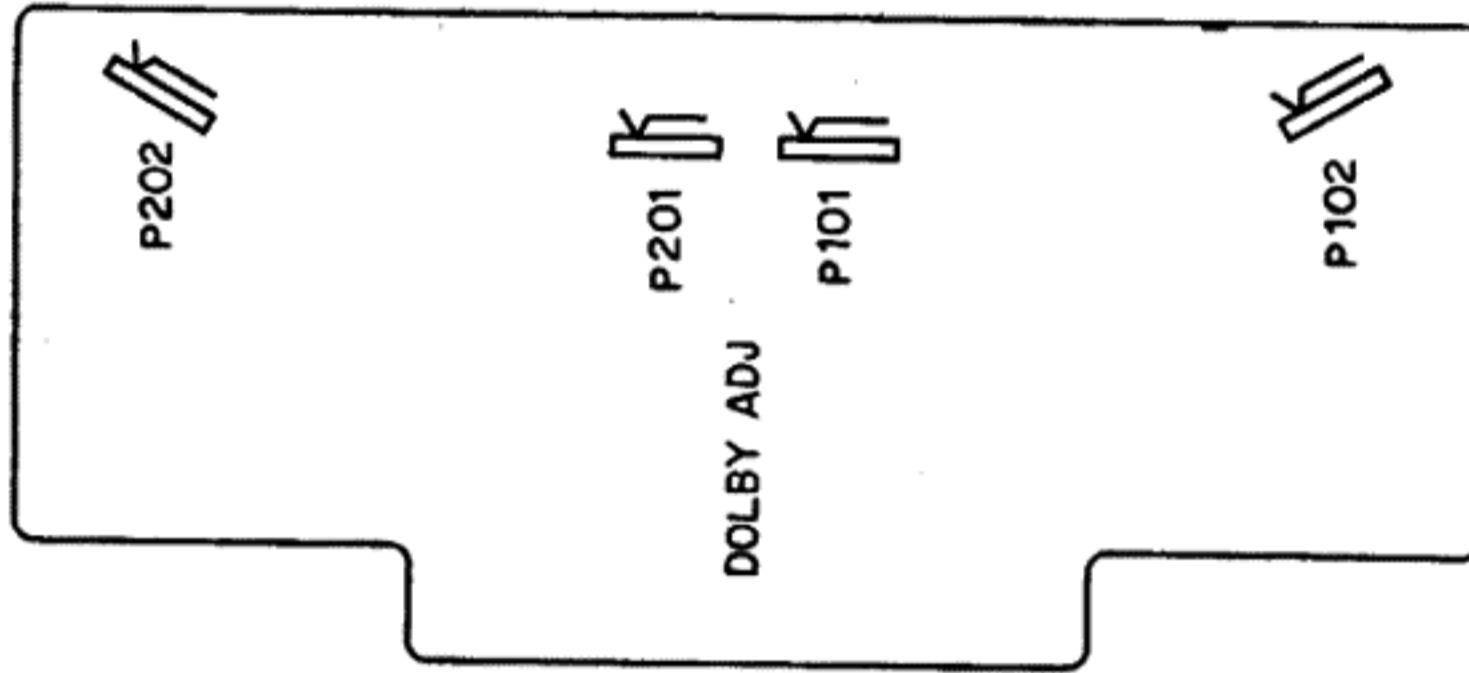
MAIN BOARD



VOLUME SUB BOARD

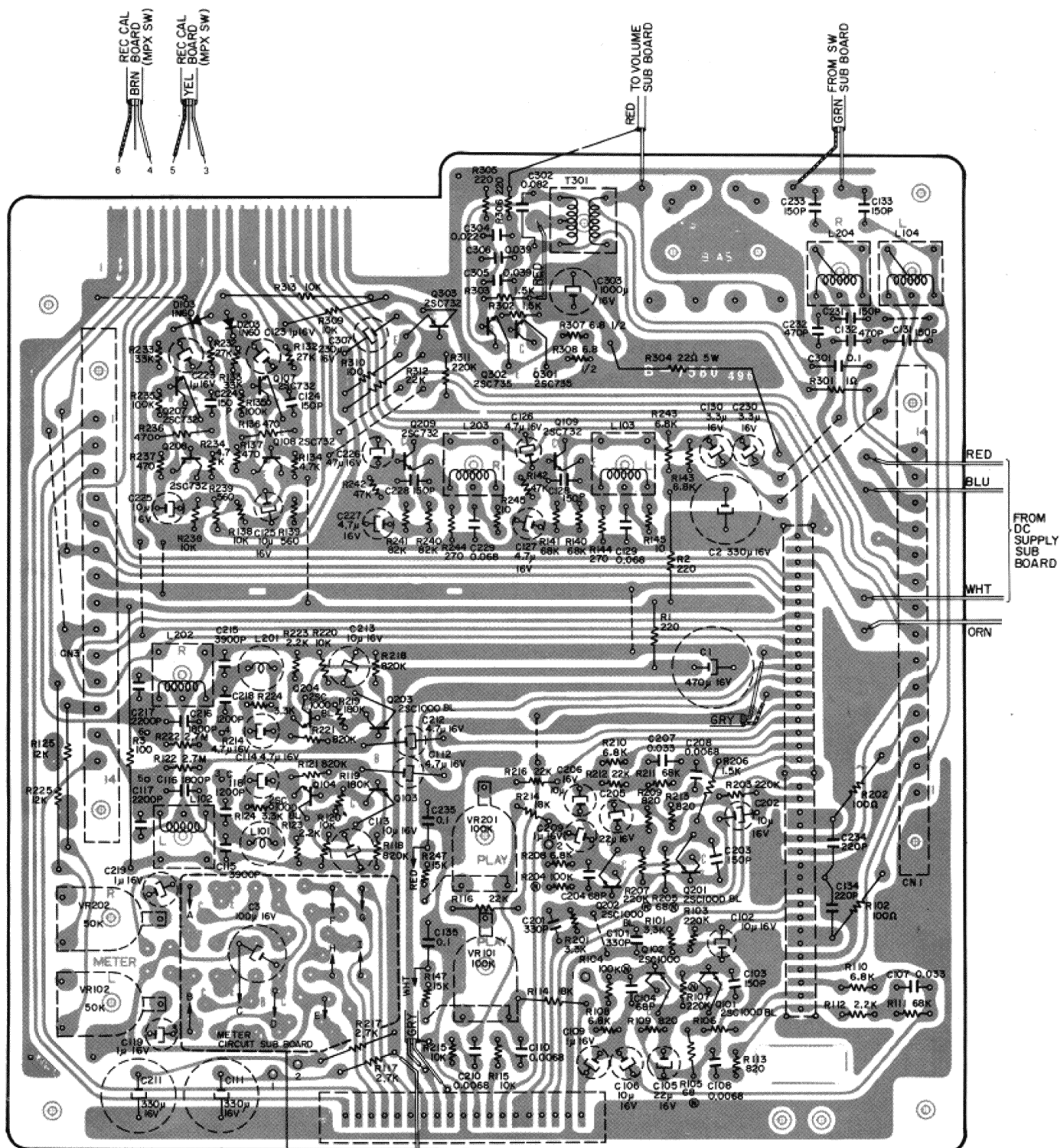


400Hz OSC BOARD

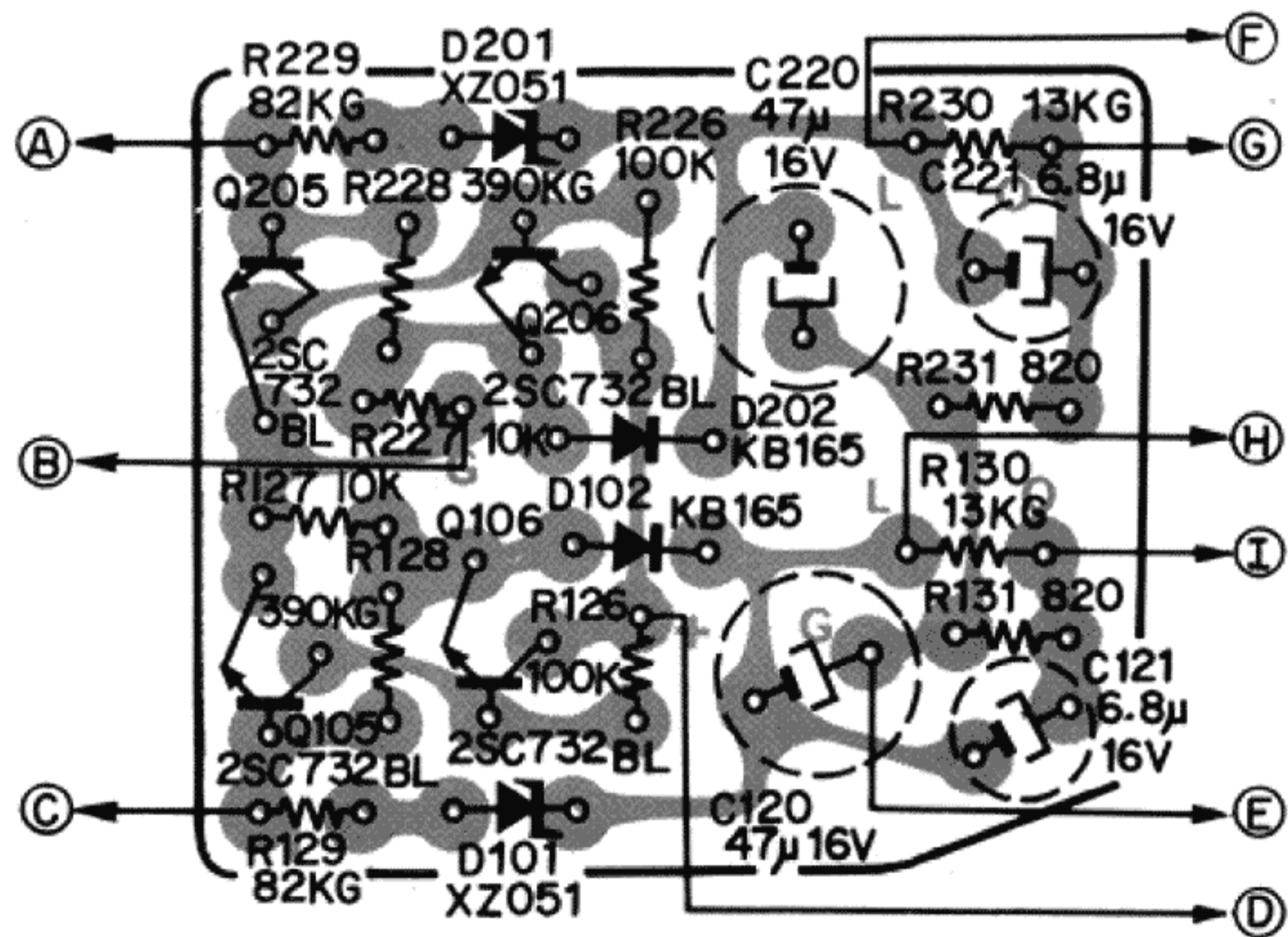


DOLBY BOARD

# MOUNTING DIAGRAM



- MAIN CIRCUIT BOARD -



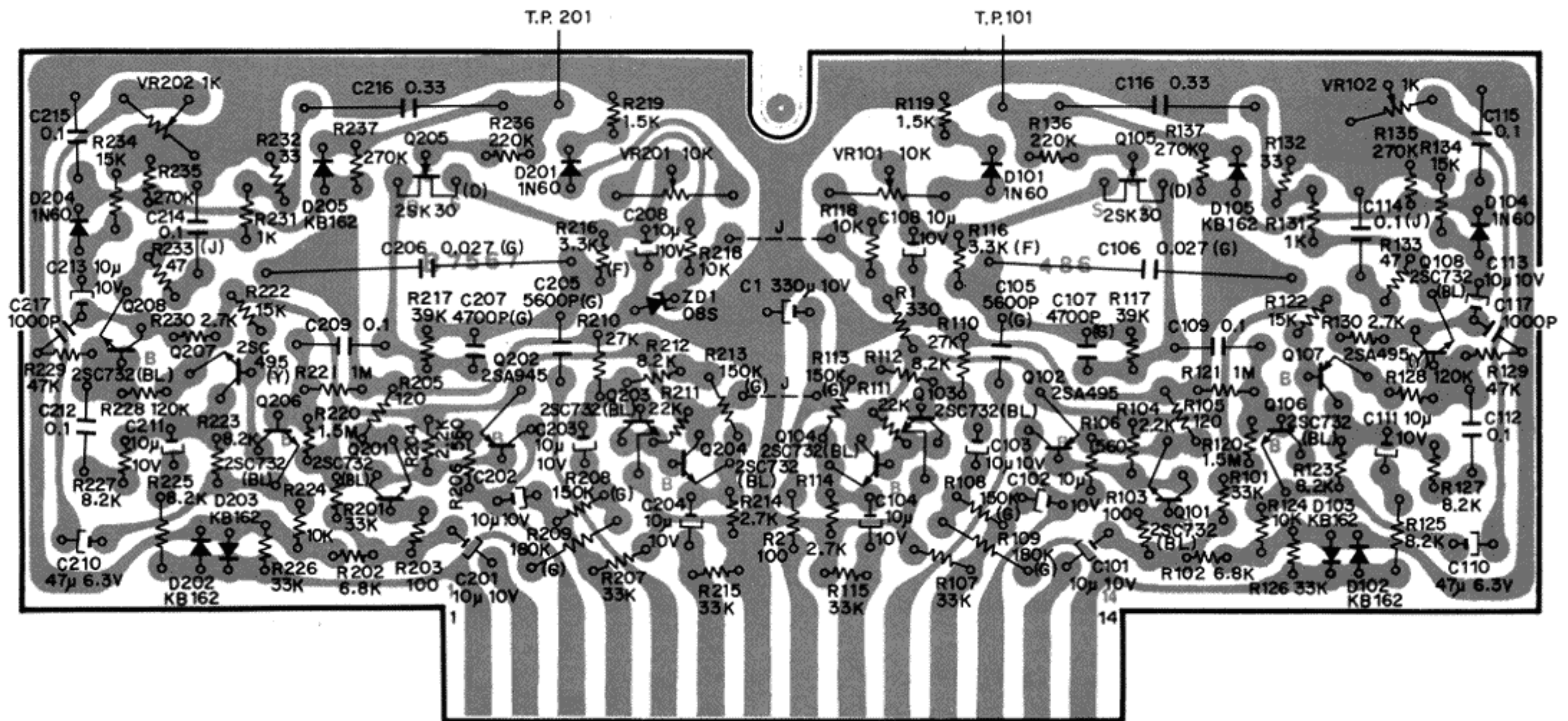
- METER CIRCUIT SUB BOARD -



# PARTS LIST

Schematic Ref. No.	Part No.	Description	Schematic Ref. No.	Part No.	Description
<b>BA-3682 Main Board Ass'y</b>					
<b>- Pre. AMP -</b>					
Q101, 201 102, 202	B-6003	Transistor 2SC1000 (BL)	R131, 231 C120, 220 C121, 221	B-5511 B-5770 B-5769	Carbon Resistor 820Ω ELR½, J Electrolytic Capacitor 47μ 16V Tantal Capacitor 6.8μ 16V
R101, 201	B-1793	Carbon Resistor 3.3K ELR½, J	<b>- Line AMP -</b>		
R102, 202	B-1679	Carbon Resistor 100Ω ELR½, J	Q107, 207 108, 208	B-6005	Transistor 2SC732 (BL)
R103, 203 107, 207	B-5517	Carbon Resistor 220K N ELR½, J	R132, 232	B-5538	Carbon Resistor 27K ELR½, J
R104, 204	B-1931	Carbon Resistor 100K N ELR½, J	R133, 233	B-1879	Carbon Resistor 33K ELR½, J
R105, 205	B-5683	Carbon Resistor 68Ω N ELR½, J	R134, 234	B-1795	Carbon Resistor 4.7K ELR½, J
R106, 206	B-5505	Carbon Resistor 1.5K ELR½, J	R135, 235	B-1920	Carbon Resistor 100K ELR½, J
R108, 208 110, 210	B-1877	Carbon Resistor 6.8K ELR½, J	R136, 236 137, 237	B-1792	Carbon Resistor 470Ω ELR½, J
R109, 209 113, 213	B-5511	Carbon Resistor 820Ω ELR½, J	R138, 238	B-1833	Carbon Resistor 10K ELR½, J
R111, 211	B-1902	Carbon Resistor 68K ELR½, J	R139, 239	B-5678	Carbon Resistor 560Ω ELR½, J
R112, 212	B-5566	Carbon Resistor 2.2K ELR½, J	C123, 223	B-1405	Electrolytic Capacitor 1μ 16V
R114, 214	B-5561	Carbon Resistor 18K ELR½, J	C124, 224	B-5599	Ceramic Capacitor 150P, 50V, M
R115, 215	B-1833	Carbon Resistor 10K ELR½, J	C125, 225	B-1412	Electrolytic Capacitor 10μ 16V
R116, 216	B-5661	Carbon Resistor 22K ELR½, J	<b>- REC. AMP -</b>		
R117, 217	B-1782	Carbon Resistor 2.7K ELR½, J	Q109, 209	B-6005	Transistor 2SC732 BL
R147, 247	B-5591	Carbon Resistor 15K ELR½, J	L103, 203	B-3858	Peaking Coil 1.14mH
R148, 248	B-1920	Carbon Resistor 100K ELR½, J	L104, 204	B-3859	Bias Trap Coil 10.5mH
C101, 201	B-1180	Ceramic Capacitor 330P, 50V, M	R2	B-1933	Carbon Resistor 220Ω R½, J
C102, 202 106, 206	B-1412	Electrolytic Capacitor 10μ 16V	R140, 240 141, 241	B-1564	Carbon Resistor 82K ELR½, J
C103, 203	B-5599	Ceramic Capacitor 150P, 50V, M	R142, 242	B-5562	Carbon Resistor 47K ELR½, J
C104, 204	B-5525	Ceramic Capacitor 68P, 50V, M	R143, 243	B-1877	Carbon Resistor 6.8K ELR½, J
C105, 205	B-1862	Electrolytic Capacitor 22μ, 16V	R144, 244	B-5651	Carbon Resistor 270Ω ELR½, J
C107, 207	B-5531	Mylar Capacitor 0.033μ, 50V, K	R145, 245	B-5663	Carbon Resistor 10Ω ELR½, J
C108, 208 110, 210	B-5701	Mylar Capacitor 0.0068μ, 50V, K	C2	B-1502	Electrolytic Capacitor 330μ 16V
C109, 209	B-1405	Electrolytic Capacitor 1μ, 16V	B-1389	B-1389	Electrolytic Capacitor 4.7μ 16V
C111, 211	B-1502	Electrolytic Capacitor 330μ, 16V	C126, 226 127, 227	B-5599	Ceramic Capacitor 150P, 50V, M
C134, 234	B-1289	Ceramic Capacitor 220P 50V, M	C128, 228 131, 231	B-5586	Mylar Capacitor 0.068μ 50V, K
C135, 235	B-1603	Mylar Capacitor 0.1μ 50V, K	C129, 229	B-608	Electrolytic Capacitor 3.3μ 25V
VR101, 201	B-1812	Semi-fixed Volume 100K	C130, 230 C132, 232	B-1716	Ceramic Capacitor 470P, 50V, M
<b>- Buffer AMP -</b>			<b>- BIAS OSC -</b>		
Q103, 203 104, 204	B-6003	Transistor 2SC1000 (BL)	Q301, 302	B-1338	Transistor 2SC735 (Y)
L101, 201	B-3562	Inductor 36mH	T301	B-3932	BIAS, OSC Coil
L102, 202	B-3857	19KHz Coil 23mH	R301	B-5746	Carbon Resistor 1Ω ELR½, J
R1	B-5608	Carbon Resistor 220Ω ELR½, J	R302, 303	B-5505	Carbon Resistor 1.5K ELR½, J
R118, 218 121, 221	B-5674	Carbon Resistor 820K ELR½, J	R304	B-5762	Cement Resistor 22Ω 5W
R119, 219	B-5669	Carbon Resistor 180K ELR½, J	R305, 306	B-5608	Carbon Resistor 220Ω ELR½, J
R120, 220	B-1833	Carbon Resistor 10K ELR½, J	R307, 308	B-5696	Carbon Resistor 6.8Ω R50, J
R122, 222	B-5753	Carbon Resistor 2.7M ELR½, J	C301	B-1603	Mylar Capacitor 0.1μ 50V, K
R123, 223	B-5566	Carbon Resistor 2.2K ELR½, J	C302	B-1904	Mylar Capacitor 0.082μ 50V, K
R124, 224	B-1793	Carbon Resistor 3.3K ELR½, J	C303	B-1400	Electrolytic Capacitor 100μ 16V
C1	B-1392	Electrolytic Capacitor 470μ 16V	C304	B-4062	Mylar Capacitor 0.022μ 50V, K
C112, 212 114, 214	B-1389	Electrolytic Capacitor 4.7μ 16V	C305, 306	B-5684	Mylar Capacitor 0.039μ 50V, K
C113, 213	B-1412	Electrolytic Capacitor 10μ 16V	C133, 233	B-5599	Ceramic Capacitor 150P, 50V, M
C115, 215	B-1804	Mylar Capacitor 3900P, 50V, J	<b>- Muting Circuit -</b>		
C116, 216	B-5751	Mylar Capacitor 1800P, 50V, K	Q303	B-6005	Transistor 2SC732 BL
C117, 217	B-1802	Mylar Capacitor 2200P 16V, J	D103, 203	B-1909	Silicon Diode 151555
C118, 218	B-5750	Mylar Capacitor 1200P 16V, K	R309	B-1833	Carbon Resistor 10K ELR½, J
<b>- Meter AMP -</b>			R310	B-5558	Carbon Resistor 100Ω ELR½, J
R3	B-1679	Carbon Resistor 100Ω R½, J	R311	B-5596	Carbon Resistor 220K ELR½, J
R125, 225	B-5771	Carbon Resistor 12K R½, J	R312	B-5615	Carbon Resistor 22K R½, J
C3	B-1400	Electrolytic Capacitor 100μ 16V	R313	B-1888	Carbon Resistor 10K R½, J
C119, 219	B-1405	Electrolytic Capacitor 1μ 16V	C307	B-1862	Electrolytic Capacitor 22μ 16V
VR102, 202	B-1807	Semi-fixed Volume 50K	<b>- Miscellaneous -</b>		
<b>- BA3658 Meter Circuit Ass'y -</b>			SW1	B-7580	Main Board
Q105, 205 106, 206	B-7603	Meter Sub Board (NR)		B-7036	Record Switch
D101, 201	B-6005	Transistor 2SC732 (BL)		B-3804	Record Switch Spring
D102, 202	B-6058	Zener Diode YZ-051		B-3918	Record Switch Spring Insulator
R126, 226	B-6007	Silicon Diode KB-165		B8103	Shield Plate
R127, 227	B-1920	Carbon Resistor 100K ELR½, J		B-1814	14P Connector
R128, 228	B-1833	Carbon Resistor 10K ELR½, J		B-1797	19P Connector
R129, 229	B-5544	Carbon Resistor 390K RD½, G		B-1800	Connector Pin
R130, 230	B-5766	Carbon Resistor 82K RD½, G		E-185	Screw M2x6 Cylinder Head
	B-5767	Carbon Resistor 13K RD½, G		E-176	Nut 2m/m
				E-25	Washer 2m/m Steel

# MOUNTING DIAGRAM/PARTS LIST

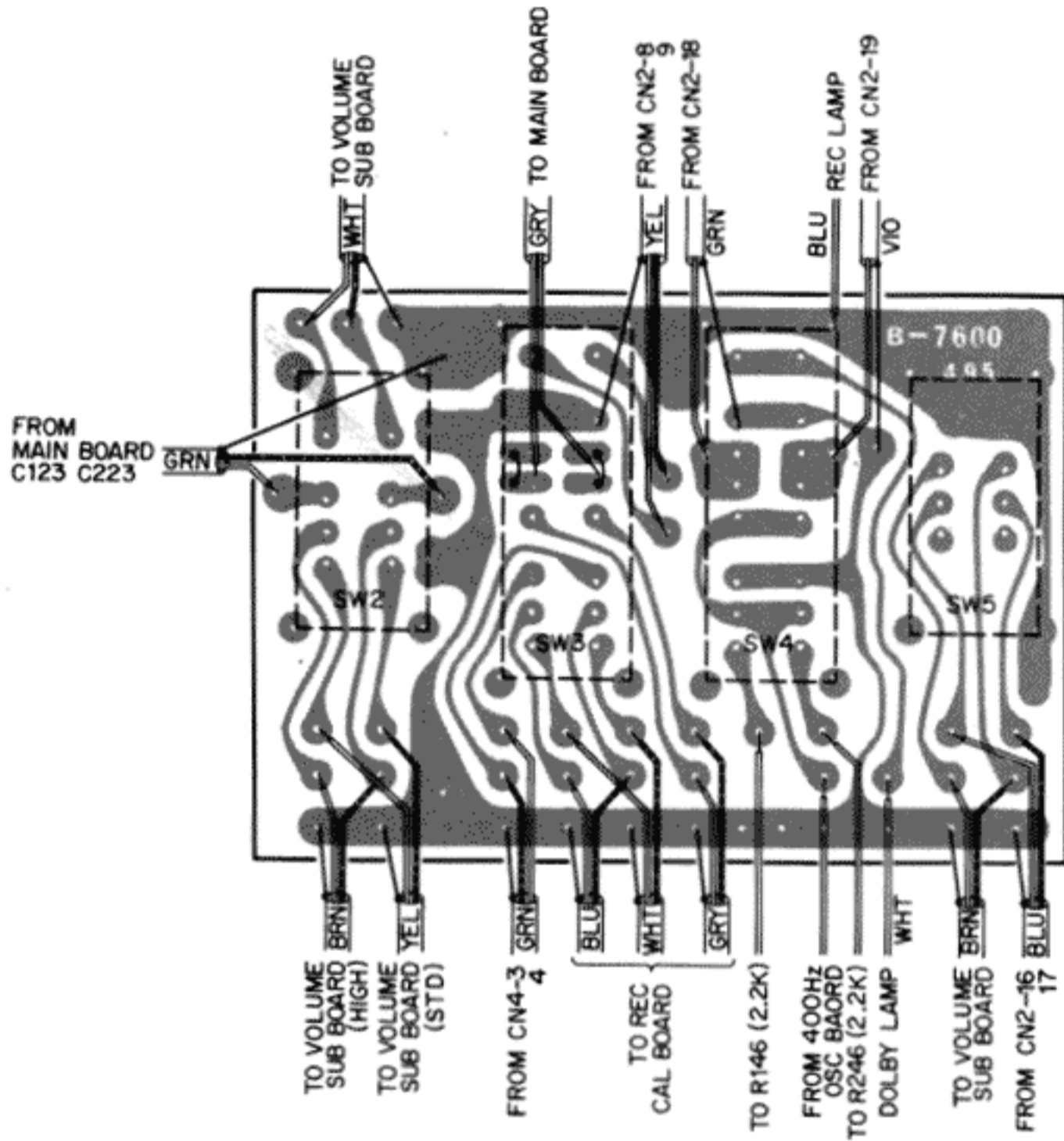


-DOLBY CIRCUIT BOARD-

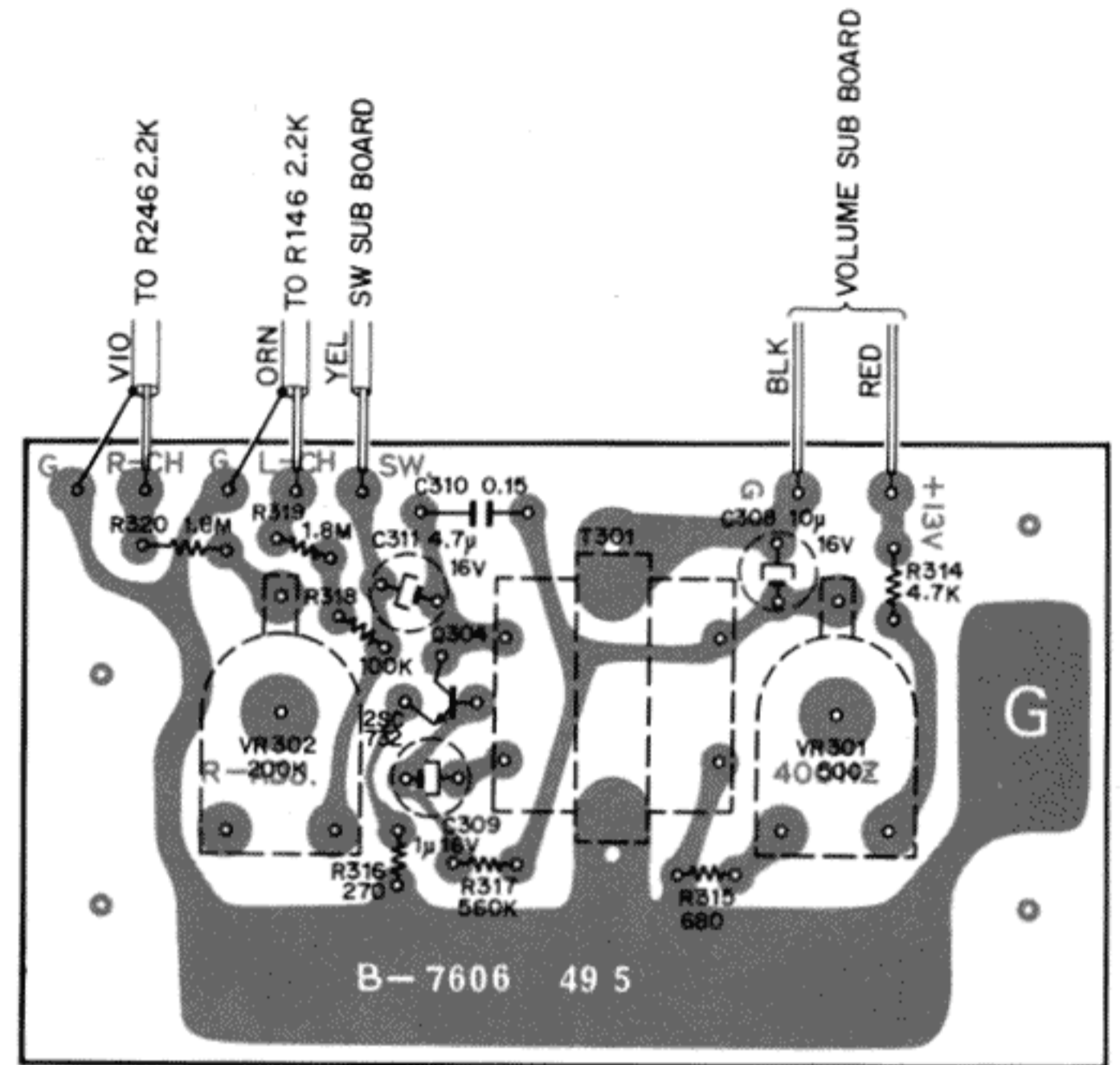
Schematic Ref. No.	Part No.	Description	Schematic Ref. No.	Part No.	Description
<b>BA-3625 Dolby Board Ass'y</b>					
	B-7567	Dolby PC Board	R116, 216	B-1585	Carbon Resistor 3.3K RD $\frac{1}{4}$ , F
Q101, 201	B-6005	Transistor 2SC732 (BL)	R117, 217	B-1885	Carbon Resistor 39K ELR $\frac{1}{4}$ , J
103, 203			R118, 218	B-1833	Carbon Resistor 10K ELR $\frac{1}{4}$ , J
104, 204			124, 224		
106, 206			R119, 219	B-5505	Carbon Resistor 1.5K ELR $\frac{1}{4}$ , J
108, 208			R120, 220	B-5601	Carbon Resistor 1.5M ELR $\frac{1}{4}$ , J
Q102, 202	B-6006	Transistor 2SA495 (Y)	R121, 221	B-5564	Carbon Resistor 1M ELR $\frac{1}{4}$ , J
107, 207			R122, 222	B-5591	Carbon Resistor 15K ELR $\frac{1}{4}$ , J
O105, 205	B-6001	FET 2SK30 (D)	134, 234		
D101, 201	B-30P	Germanium Diode 1N60P	R128, 228	B-5568	Carbon Resistor 120K ELR $\frac{1}{4}$ , J
104, 204			R129, 229	B-5562	Carbon Resistor 47K ELR $\frac{1}{4}$ , J
D102, 202	B1599	Silicon Diode KB162	R131, 231	B-1781	Carbon Resistor 1K ELR $\frac{1}{4}$ , J
103, 203			R132, 232	B-5567	Carbon Resistor 33 $\Omega$ ELR $\frac{1}{4}$ , J
105, 205			R133, 233	B-5569	Carbon Resistor 47 $\Omega$ ELR $\frac{1}{4}$ , J
DZ1	B-6004	Zener Diode 08S	137, 237	B-5600	Carbon Resistor 270K ELR $\frac{1}{4}$ , J
R1	B-1789	Carbon Resistor 330 $\Omega$ ELR $\frac{1}{4}$ , J	R136, 236	B-5596	Carbon Resistor 220K ELR $\frac{1}{4}$ , J
R2, 103, 203	B-5558	Carbon Resistor 100 $\Omega$ ELR $\frac{1}{4}$ , J	C1	B-1502	Electrolytic Capacitor 330 $\mu$ 16V
R101, 201	B-1879	Carbon Resistor 33K ELR $\frac{1}{4}$ , J	C101, 201	B-78	Electrolytic Capacitor 10 $\mu$ 10V
107, 207			102, 202		
115, 215			103, 203		
126, 226			104, 204		
R102, 202	B-1877	Carbon Resistor 6.8K ELR $\frac{1}{4}$ , J	108, 208		
R104, 204	B-5566	Carbon Resistor 2.2K ELR $\frac{1}{4}$ , J	111, 211		
R105, 205	B-5570	Carbon Resistor 120 $\Omega$ ELR $\frac{1}{4}$ , J	113, 213		
R106, 206	B-5678	Carbon Resistor 560 $\Omega$ ELR $\frac{1}{4}$ , J	C105, 205	B-1864	P.P. Capacitor 5600P, 50V, G
R108, 208	B-1859	Carbon Resistor 150K RD $\frac{1}{4}$ , G	C106, 206	B-1892	P.P. Capacitor 0.027 $\mu$ , 50V, G
113, 213			C107, 207	B-1608	P.P. Capacitor 4700P, 50V, G
R109, 209	B-1590	Carbon Resistor 180K RD $\frac{1}{4}$ , G	C109, 209	B-1603	Mylar Capacitor 0.1 $\mu$ , 50V, K
R110, 210	B-5538	Carbon Resistor 27K ELR $\frac{1}{4}$ , J	112, 212		
R111, 211	B-5661	Carbon Resistor 22K ELR $\frac{1}{4}$ , J	115, 215		
R112, 212	B-1878	Carbon Resistor 8.2K ELR $\frac{1}{4}$ , J	C110, 210	B-1404	Electrolytic Capacitor 47 $\mu$ 6.3V
123, 223			C114, 214	B-1780	Mylar Capacitor 0.1 $\mu$ 50V, J
125, 225			C116, 216	B-1602	Mylar Capacitor 0.33 50V, K
127, 227			C117, 217	B-4059	Mylar Capacitor 0.001 $\mu$ 50V, K
R114, 214	B-1782	Carbon Resistor 2.7K ELR $\frac{1}{4}$ , J	VR101, 201	B-1458	Semi-fixed Volume 10K
130, 230			VR102, 202	B-1428	Semi-fixed Volume 1K
			TP101, 201	B-3924	FET Gate Pin



# MOUNTING DIAGRAM/PARTS LIST



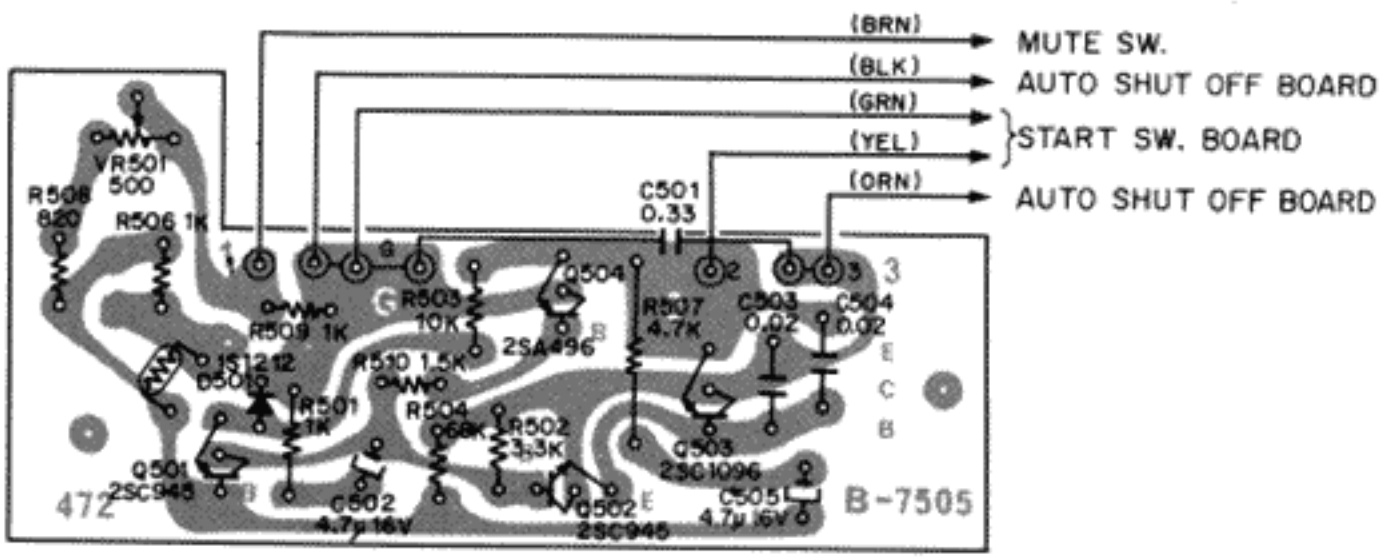
— SWITCH CIRCUIT BOARD —



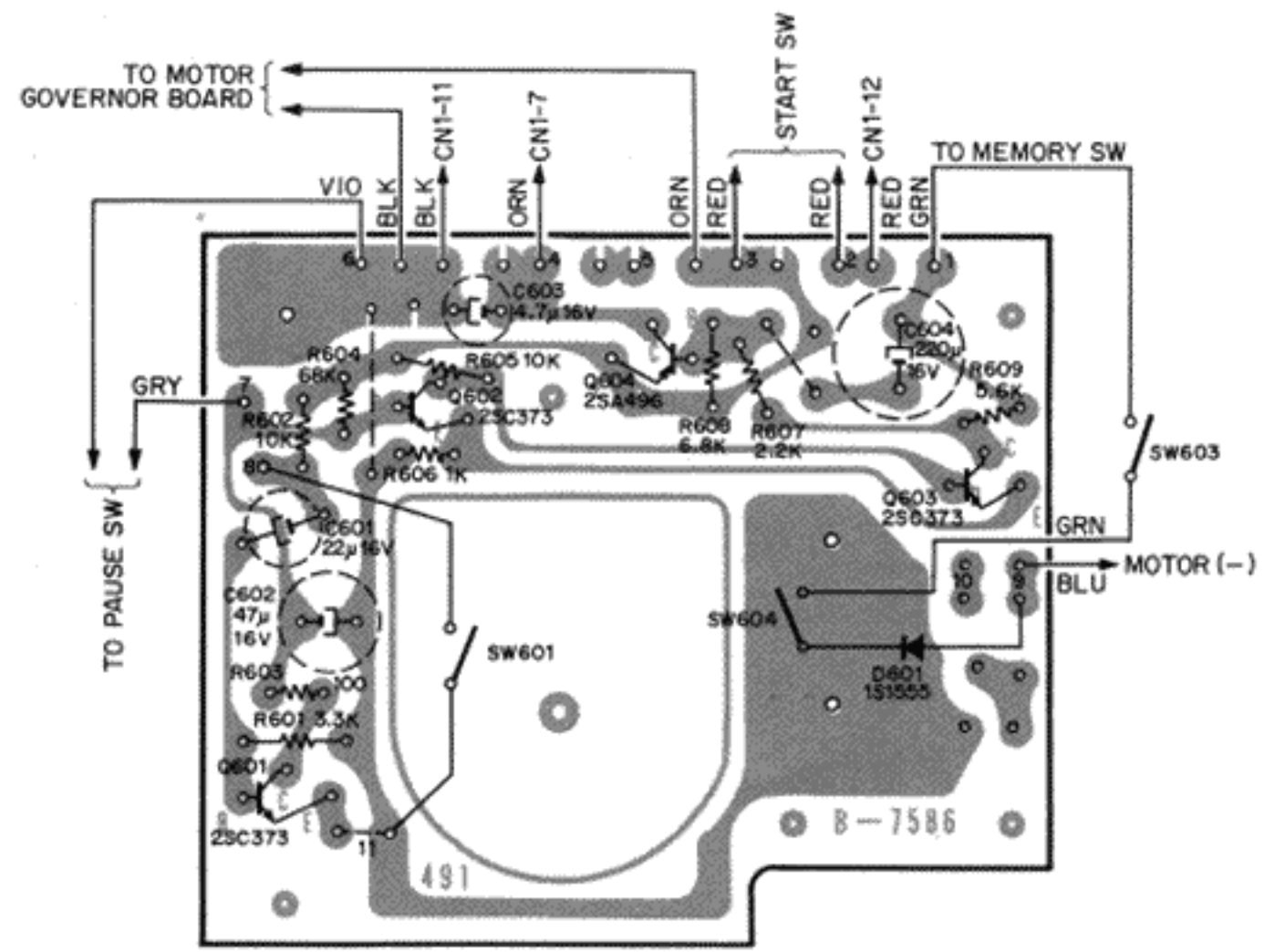
— 400 Hz OSC CIRCUIT BOARD —

Schematic Ref. No.	Part No.	Description	Schematic Ref. No.	Part No.	Description
	<b>BA-3657 Switch Board Ass'y</b>			<b>BA-3659 400Hz OSC Board Ass'Y</b>	
SW2	B-7600	Switch Sub Board (NR)		B-7606	400HZ OSC Board (NR)
SW3, 4	B-7048	Lever Switch (SLE12303)		J-3339	400Hz OSC Board Holder
SW5	B-7049	Lever Switch (SLE14303)		E-606	Screw M3x6 (3A) Philips Pan Head
	B-7047	Lever Switch (SLE12202)	Q304	B-6005	Transistor 2SC732 BL
			T302	B-3879	400Hz OSC Trans.
			R314	B-1795	Carbon Resistor 4.7K ELR $\frac{1}{4}$ , J
			R315	B-5559	Carbon Resistor 680 $\Omega$ ELR $\frac{1}{4}$ , J
			R316	B-5651	Carbon Resistor 270 $\Omega$ ELR $\frac{1}{4}$ , J
			R317	B-5665	Carbon Resistor 560K ELR $\frac{1}{4}$ , J
			R318	B-1920	Carbon Resistor 100K ELR $\frac{1}{4}$ , J
			R319, 320	B-5670	Carbon Resistor 1.8M ELR $\frac{1}{4}$ , J
			C308	B-1412	Electrolytic Capacitor 10 $\mu$ 16V
			C309	B-1405	Electrolytic Capacitor 1 $\mu$ 16V
			C310	B-5551	Mylar Capacitor 0.15 $\mu$ , 50V, K
			C311	B-1389	Electrolytic Capacitor 4.7 $\mu$ 16V
			VR301	B-1596	Semi-fixed Volume 500 $\Omega$
			VR302	B-1597	Semi-fixed Volume 200K

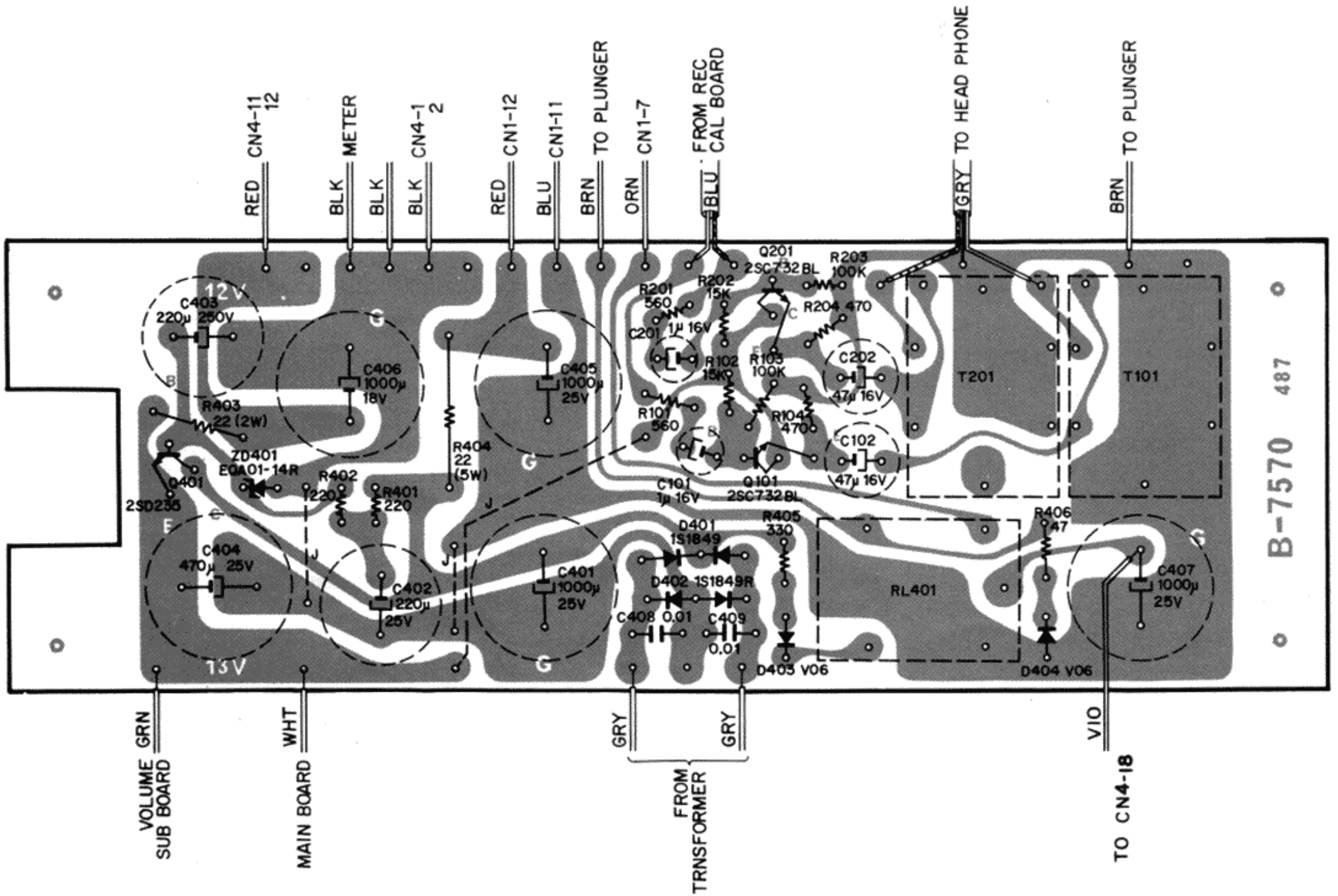
# MOUNTING DIAGRAM



— MOTOR GOVERNOR CIRCUIT BOARD —



— AUTO SHUT-OFF CIRCUIT BOARD —

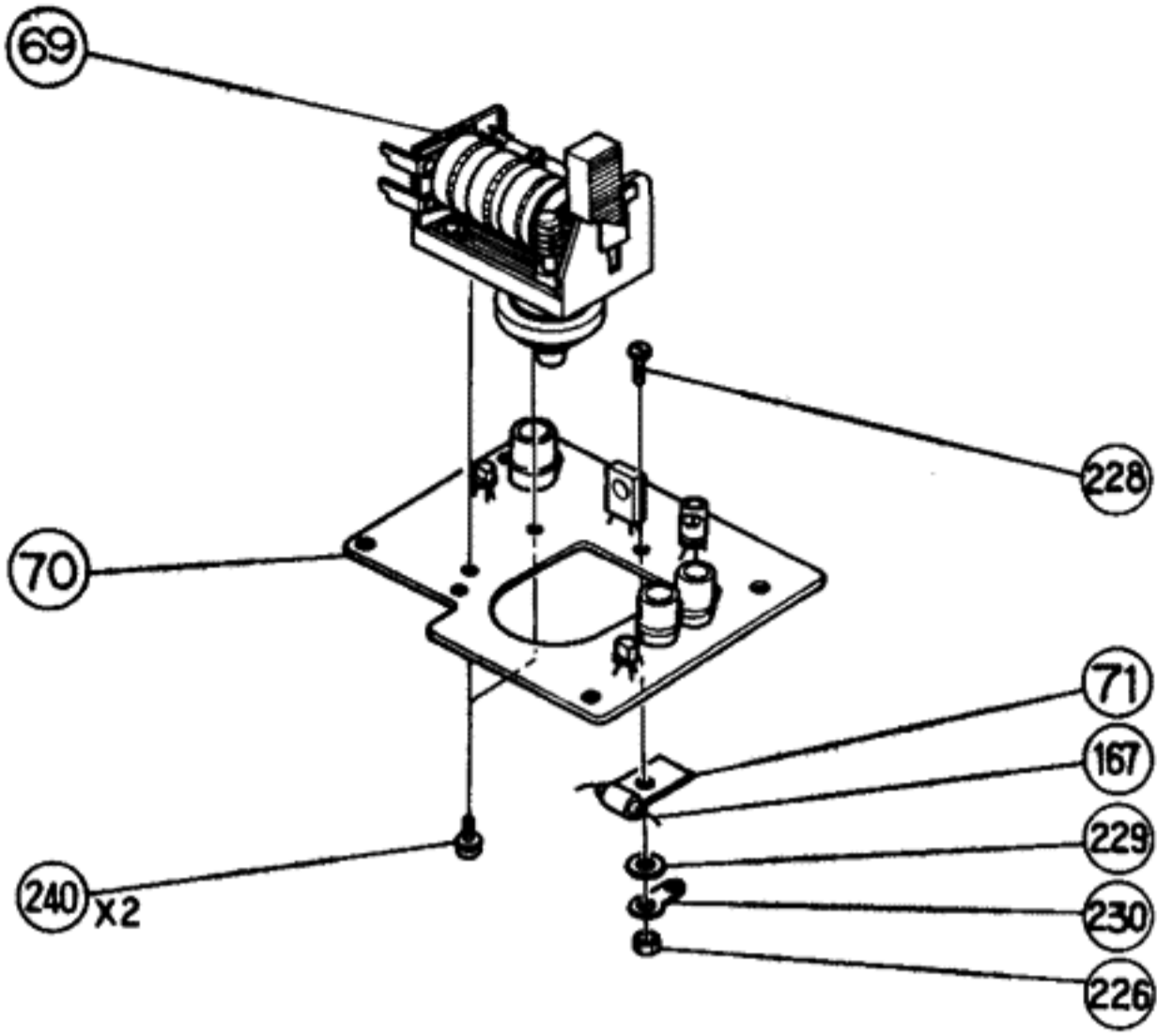


— DC SUPPLY CIRCUIT BOARD —

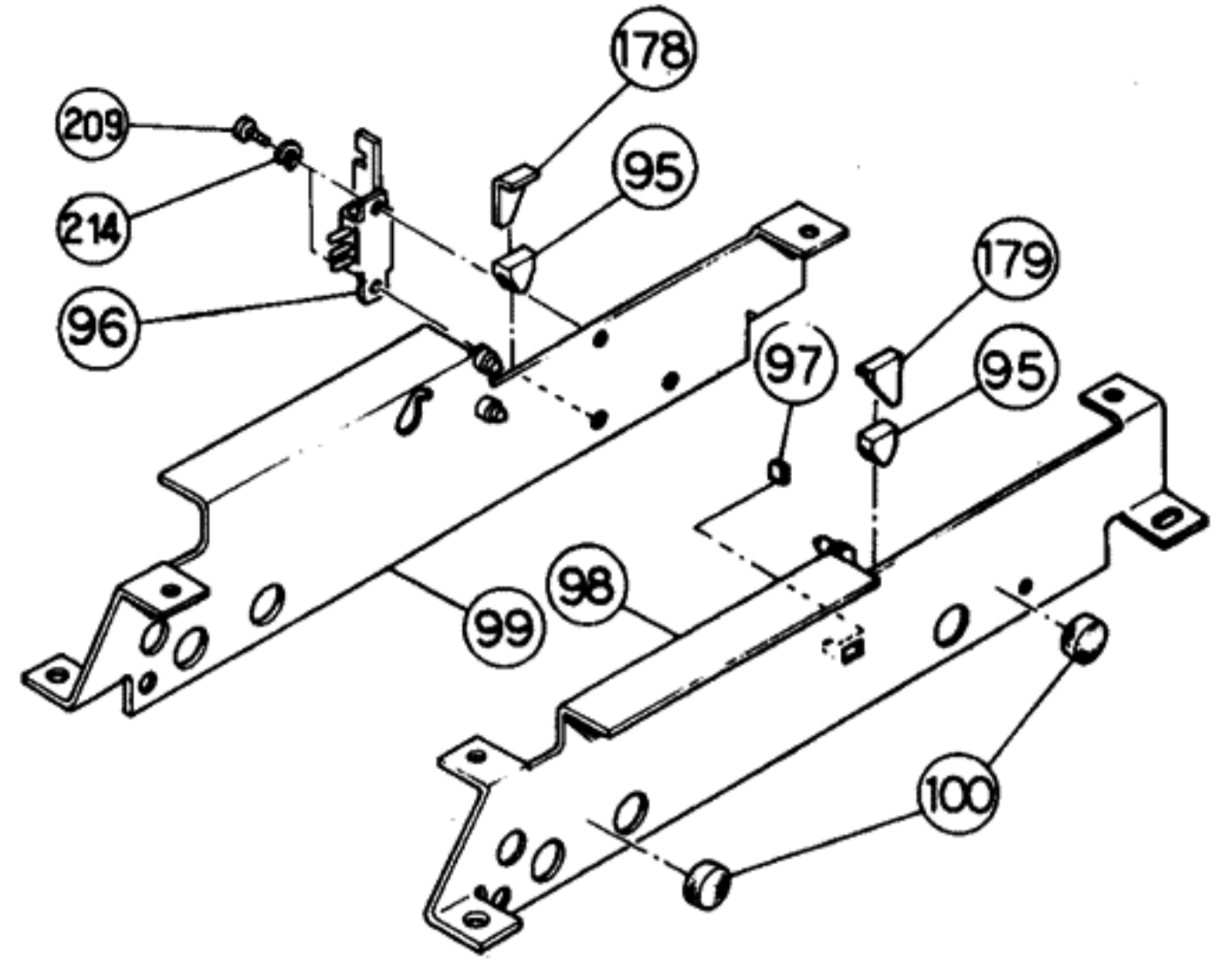
# PARTS LIST

Schematic Ref. No.	Part No.	Description	Schematic Ref. No.	Part No.	Description
<b>CA-3164 Motor Governor Board Ass'y</b>					
Q501, 502	B-1367	Transistor	2SC373		
Q503	B-1895	Transistor	2SC1096		
Q504	B-1695	Transistor	2SA496		
D501	B-1896	Silicon Diode	1S1212		
TH501	B-1897	Thermister	5B-27 (700 ohm)		
R501, 505 506, 509	B-1781	Carbon Resistor	1K ELR $\frac{1}{4}$ , J		
R502	B-1793	Carbon Resistor	3.3K ELR $\frac{1}{4}$ , J		
R503	B-1833	Carbon Resistor	10K ELR $\frac{1}{4}$ , J		
R504	B-1902	Carbon Resistor	68K ELR $\frac{1}{4}$ , J		
R507	B-1846	Carbon Resistor	4.7K R $\frac{1}{4}$ , J		
R508	B-5511	Carbon Resistor	820 $\Omega$ ELR $\frac{1}{4}$ , J		
R510	B-5505	Carbon Resistor	1.5K ELR $\frac{1}{4}$ , J		
C501	B-1602	Mylar Capacitor	0.33 $\mu$ 50V, K		
C502, 505	B-1389	Electrolytic Capacitor	4.7 $\mu$ 16V		
C503, 504	B-1905	Ceramic Capacitor	0.02 $\mu$ 50V, M		
VR501	B-1883	Semi-fixed Volume	500 ohm		
<b>CA-3208 Auto Shutt - off BOARD ASS'y</b>					
Q601, 602 603	B-1367	Transistor	2SC373		
Q604	B-1695	Transistor	2SA496		
D601	B-1909	Silicon Diode	1S1555		
R601	B-1793	Carbon Resistor	3.3K ELR $\frac{1}{4}$ , J		
R602, 605	B-1833	Carbon Resistor	10K ELR $\frac{1}{4}$ , J		
R603	B-5558	Carbon Resistor	100 $\Omega$ ELR $\frac{1}{4}$ , J		
R604	B-1902	Carbon Resistor	68K ELR $\frac{1}{4}$ , J		
R606	B-1781	Carbon Resistor	1K ELR $\frac{1}{4}$ , J		
R607	B-5566	Carbon Resistor	2.2K ELR $\frac{1}{4}$ , J		
R608	B-1877	Carbon Resistor	6.8K ELR $\frac{1}{4}$ , J		
R609	B-5673	Carbon Resistor	5.6K ELR $\frac{1}{4}$ , J		
C601	B-1862	Electrolytic Capacitor	22 $\mu$ 16V		
C602	B-1403	Electrolytic Capacitor	47 $\mu$ 16V		
C603	B-1389	Electrolytic Capacitor	4.7 $\mu$ 16V		
C604	B-1398	Electrolytic Capacitor	220 $\mu$ 16V		
<b>BA-3634 D.C. Supply Board Ass'y</b> - D.C. Supply Circuit -					
Q401	B-1823	Transistor	2SD235		
D401	B-6037	Silicon Diode	1S1849		
D402	B-6038	Silicon Diode	1S1849R		
ZD401	B-6023	Zener Diode	EQA01-14R		
R401, 402	B-5608	Carbon Resistor	220 $\Omega$ ELR $\frac{1}{4}$ , J		
R403	B-5757	Metal Film Resistor	22 $\Omega$ 2W		
R404	B-5762	Cement Resistor	22 $\Omega$ 5W		
C401, 405	B-1870	Electrolytic Capacitor	1000 $\mu$ 25V		
C402, 403	B-1391	Electrolytic Capacitor	220 $\mu$ 25V		
C404	B-1401	Electrolytic Capacitor	470 $\mu$ 25V		
C406	B-1673	Electrolytic Capacitor	1000 $\mu$ 18V		
C408, 409	B-1290	Ceramic Capacitor	0.01 $\mu$ 50V, M		
- Relay Circuit -					
D403, 404	B-1501	Silicon Diode	V06-C		
R405	B-1365	Carbon Resistor	330 $\Omega$ , R50, J		
R406	B-5569	Carbon Resistor	47 $\Omega$ ELR $\frac{1}{4}$ , J		
C407	B-1870	Electrolytic Capacitor	1000 $\mu$ 25V		
RL401	B-7001	Micro Relay	LC1		
- Head Phone Circuit-					
Q101, 201	B-6005	Transistor	2SC732 BL		
R101, 201	B-5678	Carbon Resistor	560 $\Omega$ ELR $\frac{1}{4}$ , J		
R102, 202	B-5591	Carbon Resistor	15K ELR $\frac{1}{4}$ , J		
R103, 203	B-1920	Carbon Resistor	100K ELR $\frac{1}{4}$ , J		
R104, 204	B-5572	Carbon Resistor	470 $\Omega$ , R50, J		
C101, 201	B-1405	Electrolytic Capacitor	1 $\mu$ 16V		
C102, 202	B-1403	Electrolytic Capacitor	47 $\mu$ 16V		
T101, 201	B-3879	Head Phone Trans.			
	B-7570	D.C. Supply Board			
	J-3278	Heat Sink GM			
	E-37	Earth Lug B-5			
	E-607	Screw M3x8 Philips Pan Head			
	E-608	Screw M3x10 Philips Pan Head			
	E-507	Nut 3m/m			

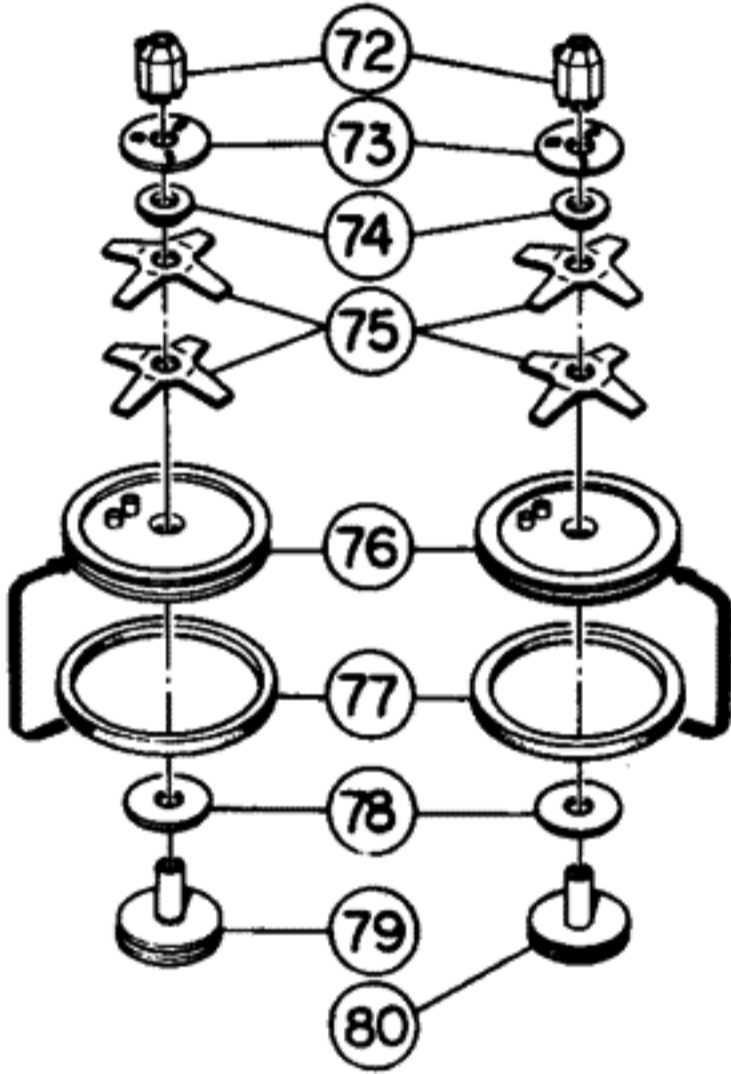
# SUB ASSEMBLY MECHANISM



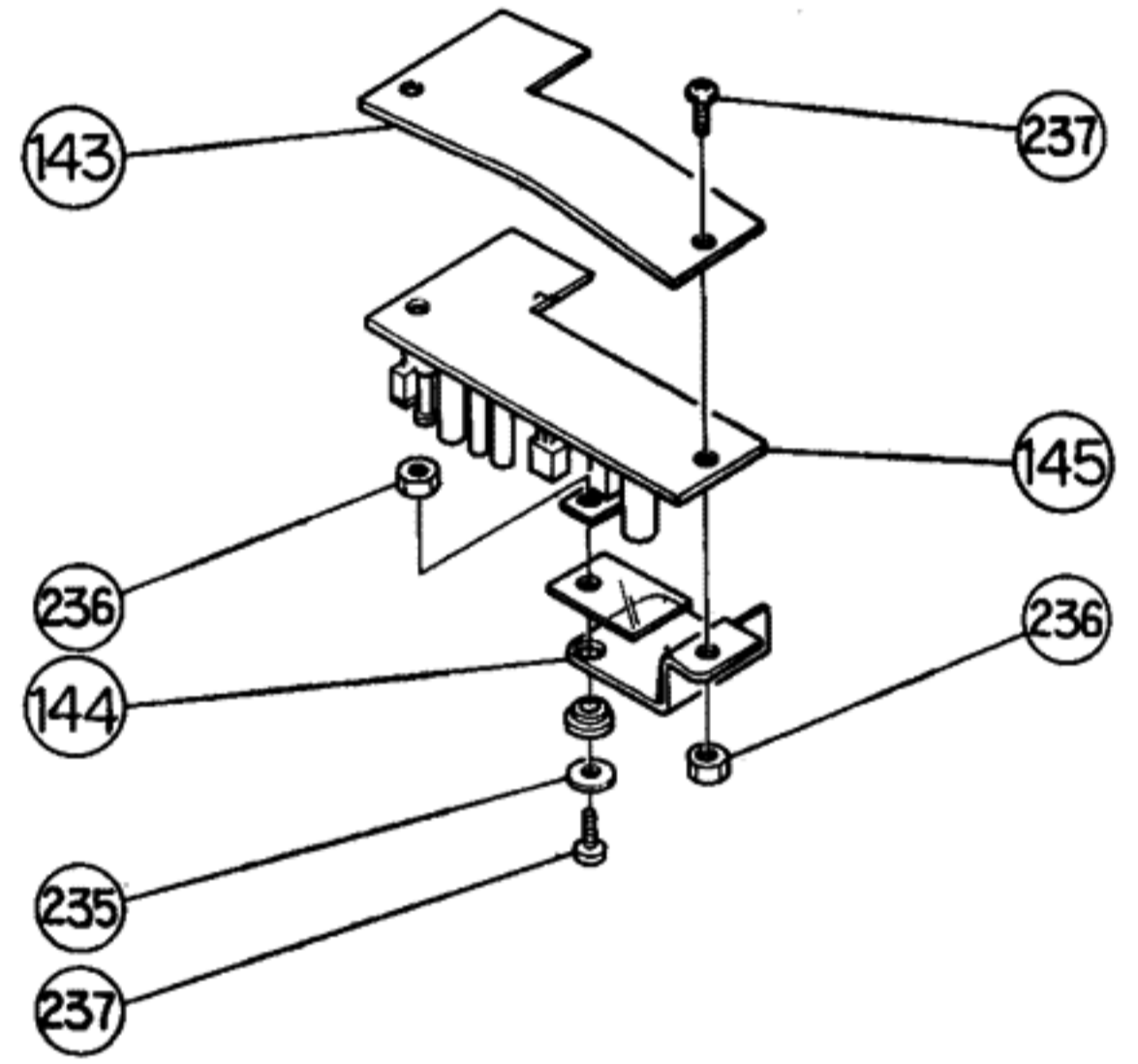
④ CA-3208 AUTO SHUT-OFF ASS'Y.



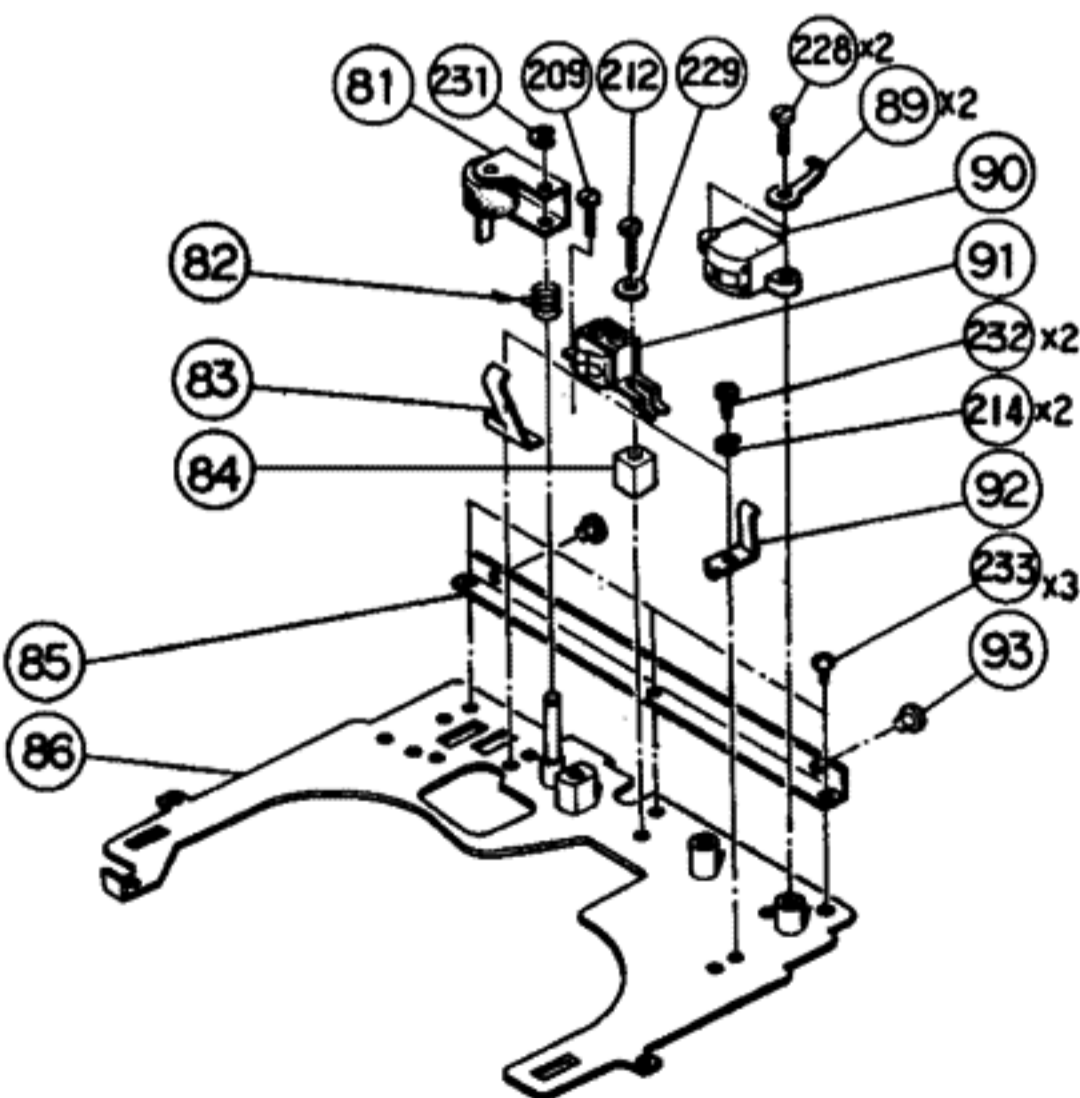
⑭ CA-3171 MECHANISM BRACKET L ASS'Y.  
⑲ CA-3172 MECHANISM BRACKET R ASS'Y.



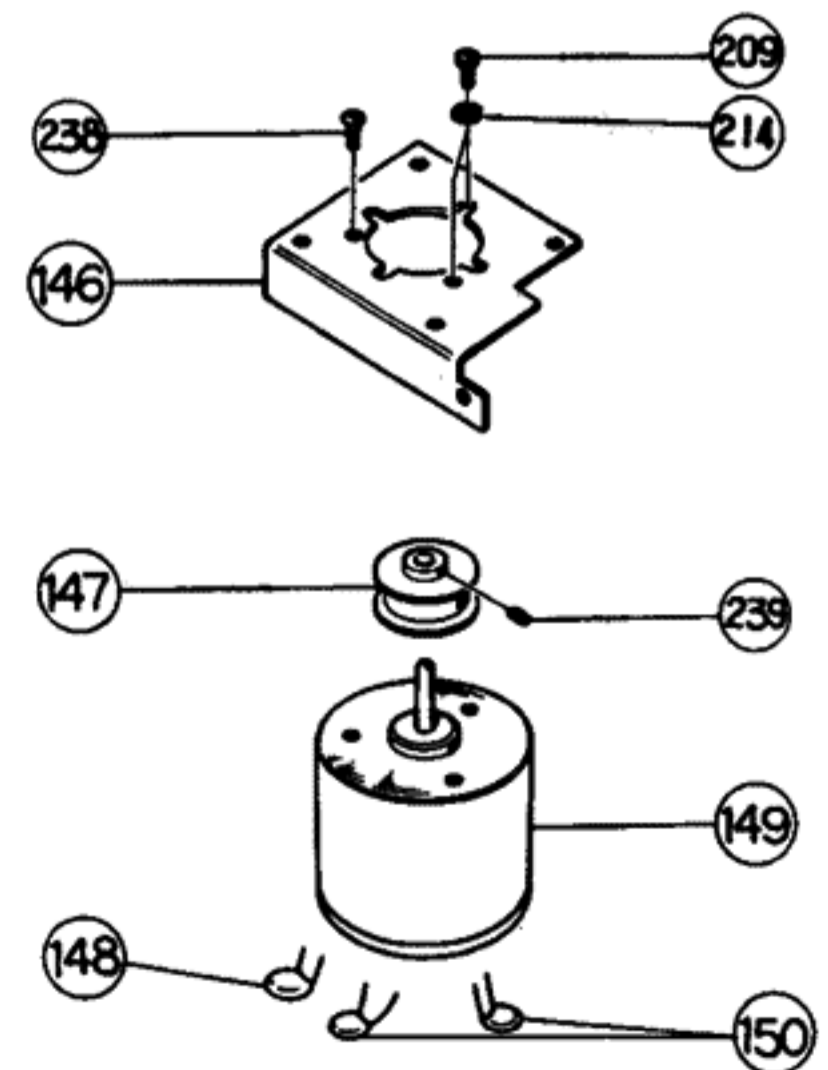
⑦ CA-3192 REEL HUB ASS'Y. (SUPPLY)  
⑳ CA-3193 REEL HUB ASS'Y. (TAKE UP)



⑤③ CA-3164 MOTOR GOVERNOR ASS'Y. (JA)

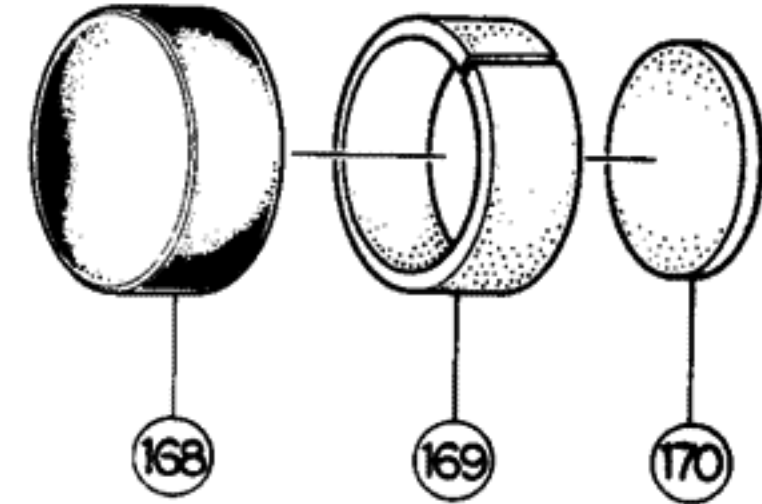
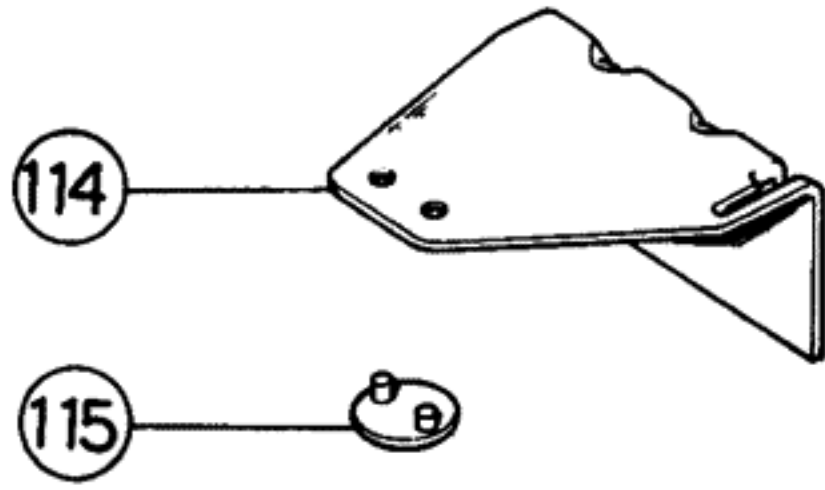


⑫ CA-3156 HEAD BASE ASS'Y.



⑤⑤ CA-3163 MOTOR ASS'Y. (JA)

# SUB ASSEMBLY MECHANISM/PARTS LIST



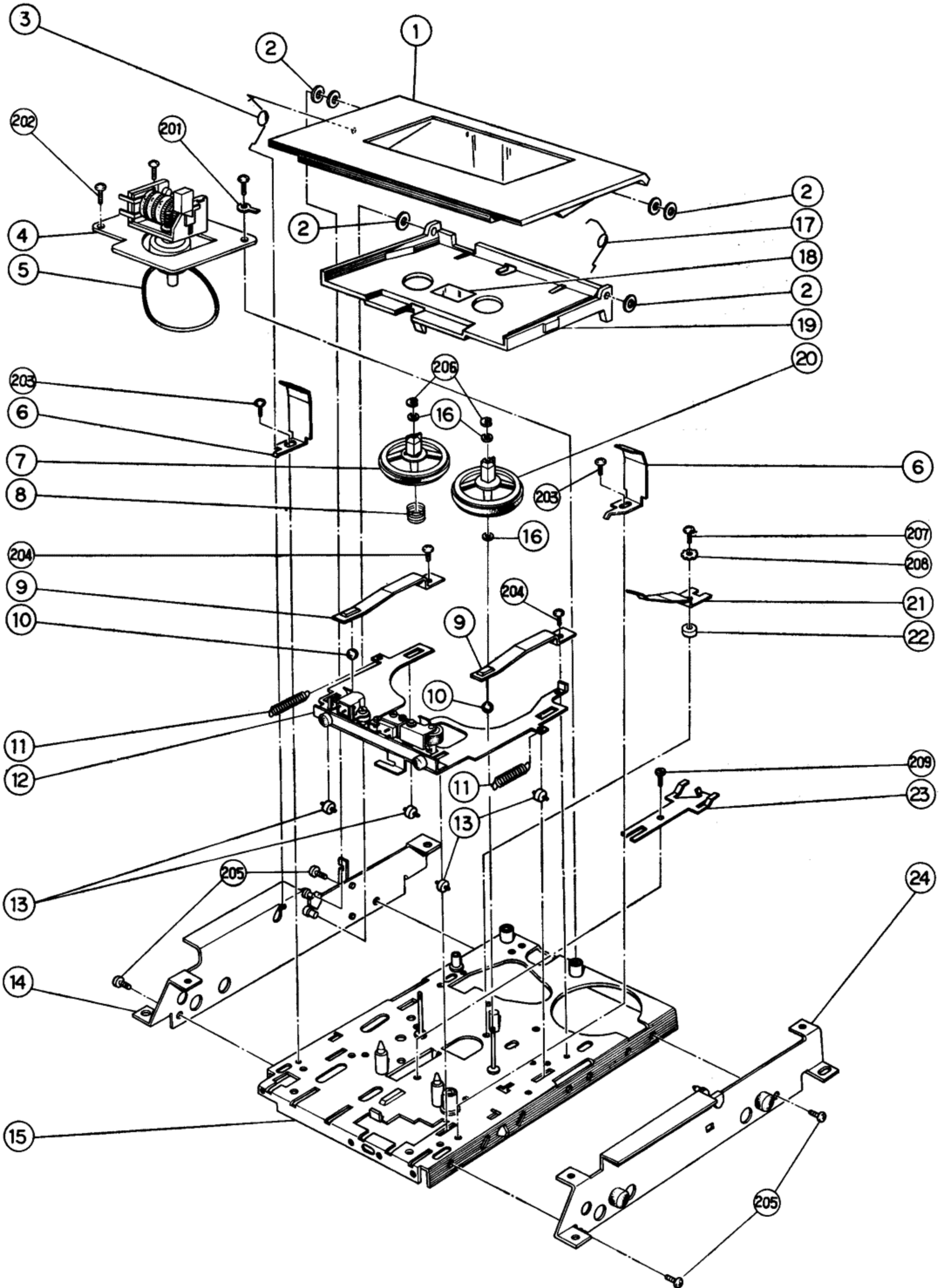
Ⓒ CA-3194 FLYWHEEL HOLDER ASS'Y. B

Ⓒ CA-3187 MOTOR COVER ASS'Y.

Schematic Ref. No.	Part No.	Description	Schematic Ref. No.	Part No.	Description
④	CA-3208	Auto Shut - off Ass'y.		C-3506	EH Stud
69	C-5497	Tape Counter		C-3732	Head Base B
70	B-7586	Auto Shut Off PC Board		C-3693	Mute Switch Pin
71	C-3763	Read Switch Holder	⑭	CA-3171	Mechanism Bracket R Ass'y
167	B-3803	Read Switch	95	C-3790	Lid Stopper
226	E-176	Nut 2m/m	96	B-7051	Memory Switch
228	B-185	Screw M2x6 Cylinder Head	99	CA-3223	SS Mechanism Bracket L Sub Ass'y
229	E-149	Washer 2.3m/m Steel	209	E-166	Screw M2x4 Cylinder Head
230	E-37	Earth Lug B-5	214	E-25	Washer 2m/m Steel
240	E-612	Screw M3x6 Philips Pan Head	⑨⑨	CA-3223	SS Mechanism Bracket L Sub Ass'y.
⑦	CA-3192	Reel Hub Ass'y (Supply)		C-3737	SS Mechanism Bracket L
72	C-3785	Sprocket B		C-3739	Well Shaft B
73	C-3786	Torque Plate		C-3740	Lid Shaft
74	C-3521	Thrust Bearing	②④	CA-3172	Mechanism Bracket R Ass'y
75	C-3520	Reel Hub Spring	95	C-3790	Lid Stopper
76	C-3787	Pulley G	97	C-3764	Well Stopper Rubber
77	C-3522	Reel Hub Ring	98	CA3224	SS Mechanism Bracket R Sub Ass'y
78	C-3519	Reel Hub Felt	100	B-3671	Board Stopper B
79	C-3516	Pulley C	⑨⑧	CA-3224	SS Mechanism Bracket R Sub Ass'y
				C-3738	SS Mechanism Bracket R
⑳	CA-3193	Reel Hub Ass'y (Take up)		C-3739	Well Shaft B
72	C-3785	Sprocket B		C-3740	Lid Shaft
73	C-3786	Torque Plate	⑤③	CA-3164	Motor Governor Ass'y (JA)
74	C-3521	Thrust Bearing	143	C-3806	Governor Insulation Fiber B
75	C-3320	Reel Hub Spring	144	B-3922	Governor Heat Sink
76	C-3787	Pulley G	145	B-7505A	Governor PC Board JA
77	C-3522	Reel Hub Ring	235	E-30	Washer 3 m/m Steel
78	C-3519	Reel Hub Felt	236	E-507	Nut 3 m/m
80	C-3689	Pulley F	237	E-521	Screw M3x8 Philips Pan Head
				CA-3163	Motor Ass'y (JA)
⑫	CA-3156	Head Base Ass'y	146	J-3221	Motor Bracket C
81	CA-3159	Pressure Roller Ass'y B	147	C-3770	Motor Pulley JA
82	C-3758	Pressure Roller Spring B	148	B-1905	Ceramic Capacitor 0.02μ 50V
83	C-3691	Cassette Retainer Spring R	149	C-3769	Motor J
84	C-3588	Azimuth Adjust Rubber	150	T-4025	Ceramic Capacitor 0.001μ 50V
85	C-3692	Base Angle	209	E-166	Screw M2x4 Cylinder Head
86	CA-3177	Head Base Sub Ass'y.	214	E-25	Washer 2 m/m Spring
89	C-3591	Cord Holder	238	E-114	Screw M2x3
90	CA-3170	Erase Head Ass'y (E-50)	239	E-224	Screw M2x3
91	CA-3207	REC/Play Head Ass'y (RP-52)	②⑧	CA3194	Flywheel Holder Ass'y B
92	C-3690	Cassette Retainer Spring L	114	C-3797	Flywheel Holder B
93	C-3767	Base Stopper Rubber	115	C-3804	Ball Plate B
209	E-166	Screw M2x4 Cylinder Head	⑥⑧	CA-3187	Motor Cover Ass'y
212	E-218	Scres M2x10 Cylinder Head	168	C-3796	Motor Cap
214	C-25	Washer 2m/m Spring	169	C-3794	Motor Cover A
228	C-185	Screw M2x6 Cylinder Head	170	C-3795	Motor Cover B
229	C-149	Washer 2.3 m/m Steel			
231	C-42	E Ring E-1.5			
232	C-2	Screw M2x3 Cylinder Head			
233	C-120	Screw M2.6x3 Philips Pan Head			
⑧①	CA-3159	Pressure Roller Ass'y B			
	C-3174	Washer 2.1 m/m Mylar			
	C-3733	Pressure Roller B			
	C-3508	Roller Shaft			
	C-3734	Pressure Roller Arm C			
⑧⑥	CA-3177	Head Base Sub Ass'y			
	C-3510	Pressure Roller Arm Shaft			
	C-3505	RH Stud			



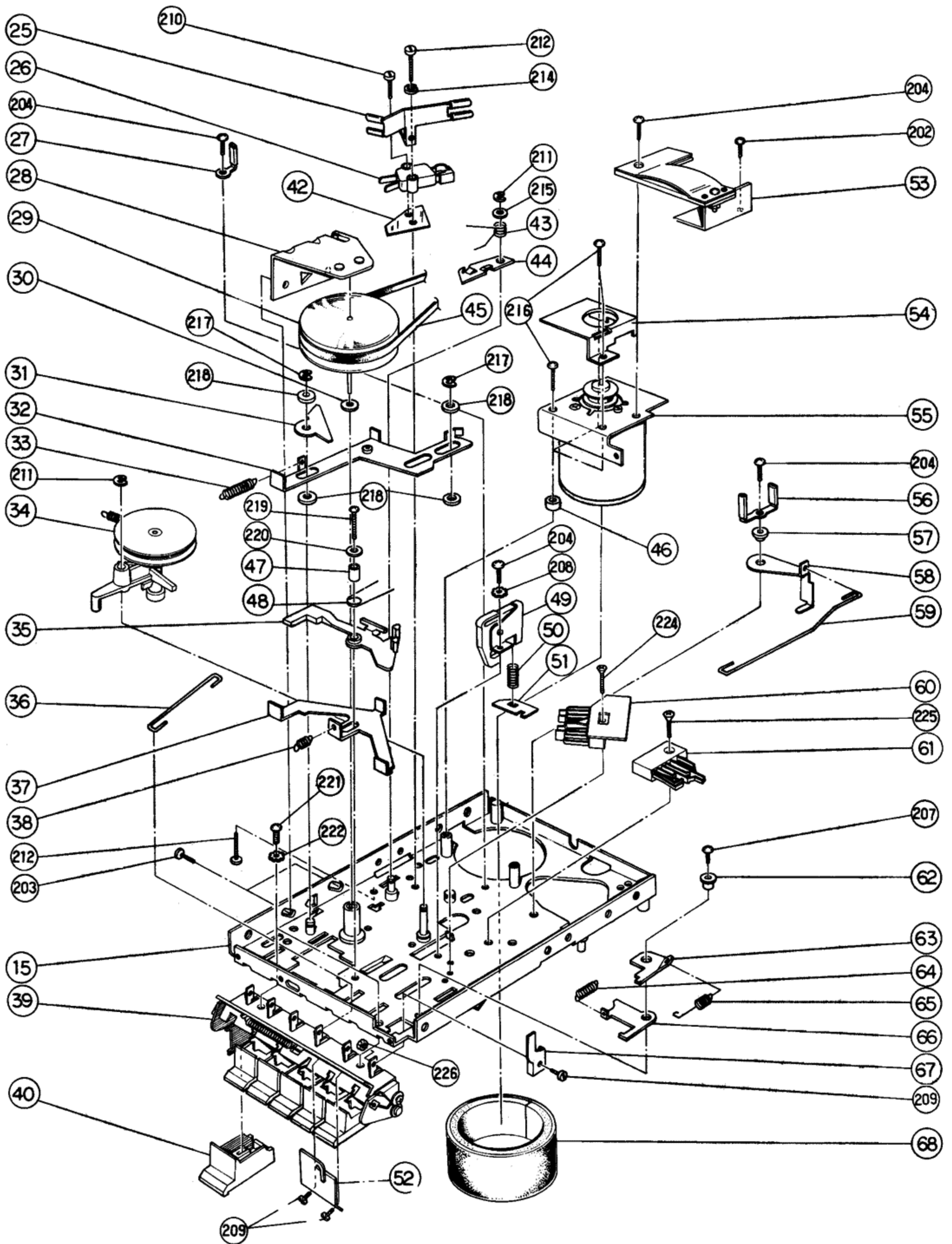
# EXPLODED VIEW OF TRANSPORT MECHANISM



# PARTS LIST—TRANSPORT

Schematic Ref. No.	Part No.	Description	Schematic Ref. No.	Part No.	Description
1	C-3736	Cassette Lid			
2	E-254	Washer 3.1 m/m Plastics			
3	C-3759	SS Lid Spring L			
4	CA-3208	Auto Shut off Ass'y			
5	C-3651	Counter Belt E			
6	J-3220	Cassette Guide C			
7	CA-3192	Reel Hub Ass'y (Supply)			
8	C-3612	Back Tension Spring			
9	C-3513	Ball Retainer Spring			
10	C-3595	3 m/m Steel Ball			
11	C-3694	Base Return Spring			
12	CA-3156	Head Base Ass'y			
13	C-3504	Head Base Guide Roller			
14	CA-3171	Mechanism Bracket L Ass'y			
15	CA-3154	Mechanism Chassis Ass'y B			
16	C-3613	Washer 1.6 m/m Plastics			
17	C-3760	SS Lid Spring R			
18	M-3167	Silver Seal B			
19	C-3699	Cassette Well			
20	CA-3193	Reel Hub Ass'y (Take-up)			
21	C-3705	Cassette Well Spring B			
22	C-3706	Cassette Well Spring Stud			
23	CA-3140	Brake Ass'y			
24	CA-3172	Mechanism Bracket R Ass'y			
201	E-130	Earth Lug 2.6 m/m			
202	E-219	Screw M2.6x5 Philips Pan Head			
203	E-226	Screw M2.6x4 Philips Pan Head			
204	E-228	Screw M2.6x6 (FT) Philips Pan Head			
205	E-502	Screw M3x5 Philips Pan Head			
206	E-165	E Ring E-1.2			
207	E-231	Screw M2.6x8 (7.7) Philips Pan Head			
208	E-233	Washer 2.6 m/m Toothed Lock			
209	E-166	Screw m2x4 Cylinder Head			
⑮	CA-3154	Mechanism Sub Ass'y.			
	C-3113	Counter Stud			
	C-3817	Counter Stud B			
	C-3514	Reel Hub Shaft			
	C-3515	Reel Hub Shaft			
	C-3502	Reference Pin			
	C-3728	Mechanism Chassis B			
	C-3512	Cassette Stud			
	C-3525	Capstan Sleeve Ass'y			
	C-3713	Motor Stud B			
	C-3731	Pause Lock Plate Shaft			
	C-3729	Slide Guide Pin A			
	C-3730	Slide Guide Pin B			
	C-3531	Drive Arm Shaft			

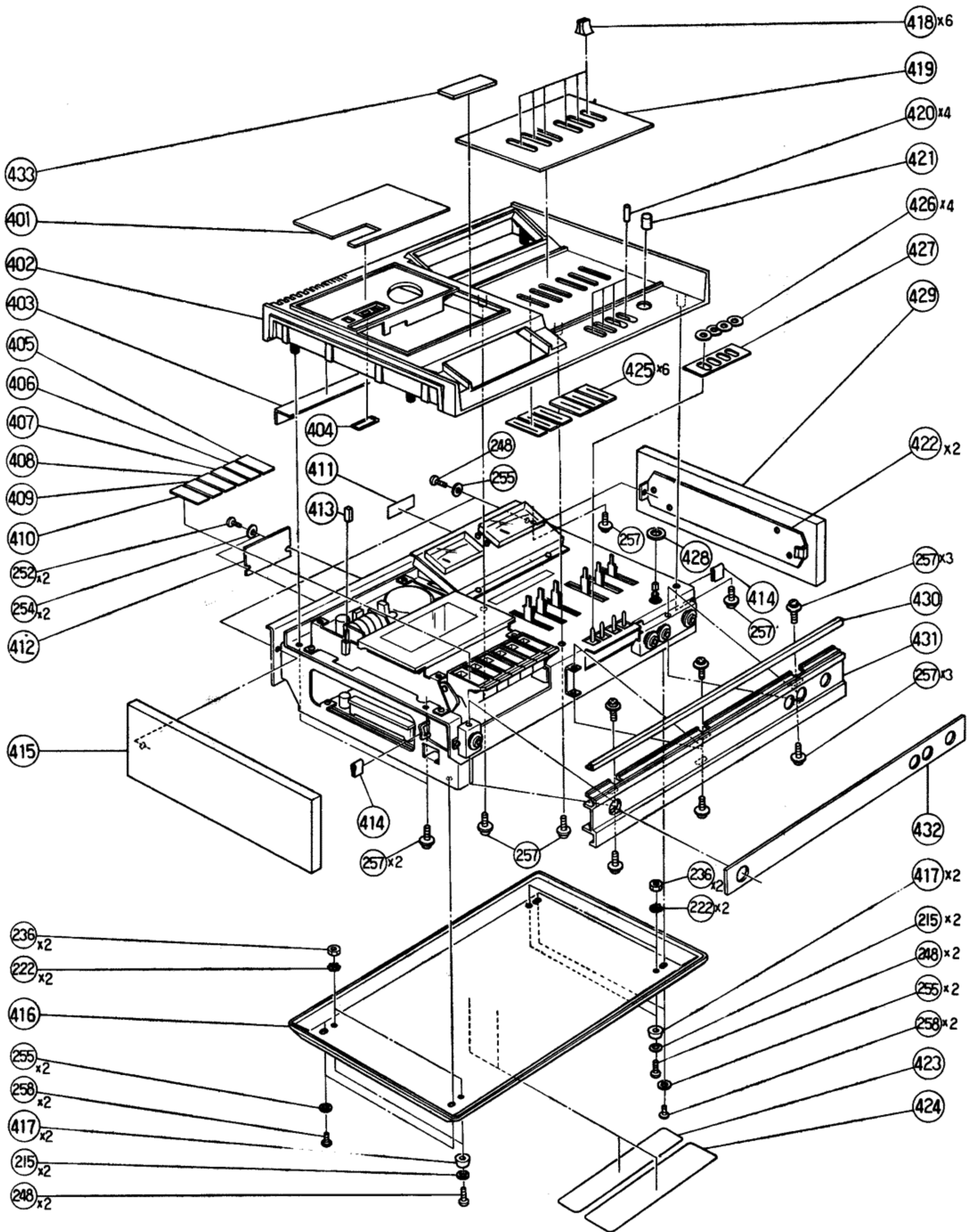
# EXPLODED VIEW OF TRANSPORT MECHANISM



# PARTS LIST—TRANSPORT

Schematic Ref. No.	Part No.	Description	Schematic Ref. No.	Part No.	Description
25	C-3799	Belt Guide		C-3558	Cam Spring
26	C-3743	Pause Switch		C-3554	Button Bracket
27	C-3591	Cord Holder		C-3555	Button Cam
28	CA-3194	Flywheel Holder Ass'y B		C-3735	Cam Spring B
29	CA-3115	Flywheel Ass'y		CA-3168	Lock Plate Ass'y
30	C-3174	Washer 2.1m/m Plastics		C-3783	Stud B
31	C-3746	Pause Bar		E-166	Screw M2x4 Cylinder Head
32	CA-3167	Slide Plate Ass'y		E-181	E-Ring E-3
33	C-3748	Slide Plate Spring		E-184	Screw M2.6x6 Flat Head
34	CA-3150	Idler Pulley Ass'y		E-30	Washer 3m/m Steel
35	C-3646	FRP Lever B			
36	C-3553	Eject Linkage Wire			
37	C-3647	See-Saw Arm	(49)	CA-3118	Eject Arm Ass'y.
38	C-3649	See-Saw Arm Spring			
39	CA-3174C	Button Bracket Ass'y		C-3551	Eject Pin
40	C-3752	Deck Button (SS)		C-3667	Eject Lever B
42	C-3800	Pause Switch Mylar		C-3550	Eject Bracket
43	C-3747	Lock Lever Spring			
44	C-3084	Pause Lock Lever			
45	C-3668	Driving Belt			
46	C-3805	Motor Stud Color	(60)	CA-3169	Start Switch Ass'y.
47	C-3648	See-Saw Arm Pipe			
48	C-3650	Lever Spring		C-3643	Start Switch Board
49	CA-3118	Eject Arm Ass'y		C-3781	Mother Spring B
50	C-3552	Eject Spring		C-3577	Start Switch A
51	C-3644	Spring Stopper		C-3578	Start Switch B
52	C-3823	Solenoid Connection Plate C		C-3777	Start Switch C
53	CA-3164	Motor Governor Ass'y JA		C-3576	Switch Case
54	C-3814	Motor Shield		C-3780	Start Switch F
55	CA-3163	Motor Ass'y		C-3779	Start Switch E
56	B-3067	Bind Holder		C-3778	Start Switch D
57	C-3546	Record Lock Shaft			
58	C-3703	Record Censer B			
59	C-3704	Record Censer Linkage B			
60	CA-3169	Start Switch Ass'y	(61)	CA-3141	Mute Switch Ass'y.
61	CA-3141	Mute Switch Ass'y			
62	C-3775	Base Cam Shaft		C-3698	Mute Switch Spring Stopper
63	C-3652	Record Lock B		C-3575	Mute Switch Spring E
64	C-3774	Base Cam Spring		C-3574	Mute Switch Spring D
65	C-3791	Record Lock Spring B		C-3696	Mute Switch Spring L
66	C-3773	Base Cam		C-3697	Mute Switch Spring R
67	C-3727	Record Cam Ring		C-3695	Mute Switch Holder B
68	CA-3187	Motor Cover Ass'y		C-3572	Mute Switch Spring B
210	E-4	Screw M2x8 Cylinder Head			
211	E-222	E Ring E-2	(135)	CA-3168	Lock Plate Ass'y.
212	E-218	Screw M2x10 Cylinder Head			
214	E-25	Washer 2m/m Spring		C-3776	Lock Plate C
215	E-253	Washer 3.3m/m Steel		C-3610	Lock Spring B
216	E-220	Screw M2.6x8 Philips Pan Head		C-3611	Lock Plate B Guide
217	E-181	E-Ring E-3		C-3607	Lock Plate B
218	E-31	Washer 4m/m Steel			
219	E-229	Screw M2.6x10 Philips Pan HFad			
220	E-142	Washer 2.6m/m Steel			
221	E-509	Screw M3x6 Philips Pan Head			
222	E-172	Washer 3m/m Toothed Lock			
224	E-223	Screw M2x10 Flat Head			
225	E-8	Screw M2.6x8 Flat Head			
226	E-176	Nut 2m/m			
(32)	CA-3167	Slide Plate Ass'y.			
	C-3086	Pause Lock Pin			
	C-3744	Pause Slide Plate			
(34)	CA-3150	Idler Pulley Ass'y			
	C-3717	Idler Pulley B			
	C-3718	Earth Spring C			
	C-3715	Idler Pulley Arm B			
	C-3623	Drive Pulley			
	C-3613	Washer 1.6m/m Plastic			
	C-3716	Idler Pulley Metal			
	C-3719	Earth Washer			
	C-3534	Drive Pulley Shaft			
(39)	CA-3174C	Push Button Ass'y.			
	C-3609	Lock Spring A			
	C-3677	Lock Plate Stopper			
	C-3560	Button Shaft			

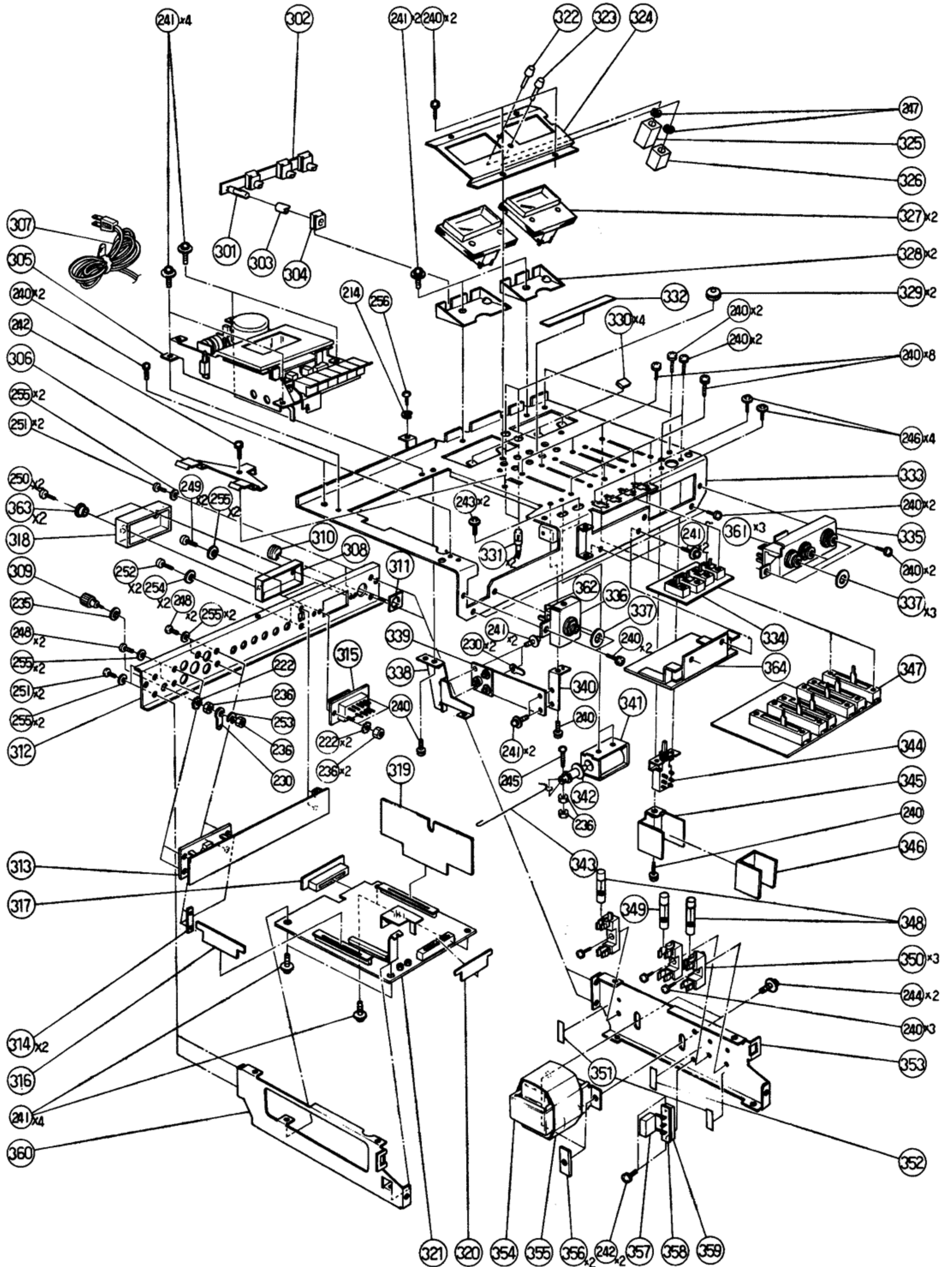
# EXPLODED VIEW OF CABINET



# PARTS LIST—CABINET

Schematic Ref. No.	Part No.	Description	Schematic Ref. No.	Part No.	Description
<b>— HA-3595 Top Cover Ass'y (NR) —</b>					
401	M-3488	Counter Pannel (DT-500)			
402	A-3210	Top Cover			
	A-3194	Stud e			
	A-3195	Stud g			
	A-3196	Stud h			
403	A-3197	Top Cover Hemilor			
404	H-3099	Counter Lens V			
419	M-3489	Control Name Plate (DT-500)			
425	H-3294	Volume Shade			
433	M-3505	FG Badge (NR-35)			
<b>— HA-3591 Bottom Cover Ass'y —</b>					
416	A-3071	Bottom Cover			
417	A-318	Rubber Foot			
423	M-3330	Dolby Level			
424	M-3339	Caution Level			
215	E-253	Washer 3m/m Steel			
222	E-172	Washer 3m/m Toothed Lock			
236	E-507	Nut 3m/m			
248	E-588	Screw M3x8 Philips Pan Head			
<b>— HA-3596 Front Pannel Ass'y —</b>					
430	A-3193	Sash GM			
431	H-3348	Front Pannel (DT-500)			
432	M-3490	Front Name Plate (DT-500)			
405	M-3496	Pause Name Plate			
406	M-3495	FF Name Plate			
407	M-3494	PLAY Name Plate			
408	M-3493	STOP Name Plate			
409	M-3492	REW Name Plate			
410	M-3491	REC Name Plate			
412	M-3497	Serial Name Plate (DT-500)			
413	H-3324	Memory Switch Button			
414	A-3032	Side Plate Spring			
415	A-3213	Side Plate L			
418	H-3196	Slide Volume Knob			
420	H-3310	Switch Cap			
421	H-3248	Switch Buttom			
422	A-3065	CN Bracket			
426	H-3338	Switch Shade B			
427	H-3337	Switch Shade A			
428	H-3313	Switch Shade			
429	A-3212	Side Plate R			
248	E-588	Screw M3x8 Philips Pan Head			
252	E-592	Screw M2.6x4 Philips Pan Head			
254	E-651	Washer 2.6m/m Plastic			
255	E-157	Washer 3m/m Plastic			
257	E-607	Screw M3x8 (3A) Philips Pan Head			
258	E-593	Screw M3x6 Philips Pan Head			

# EXPLODED VIEW OF CHASSIS

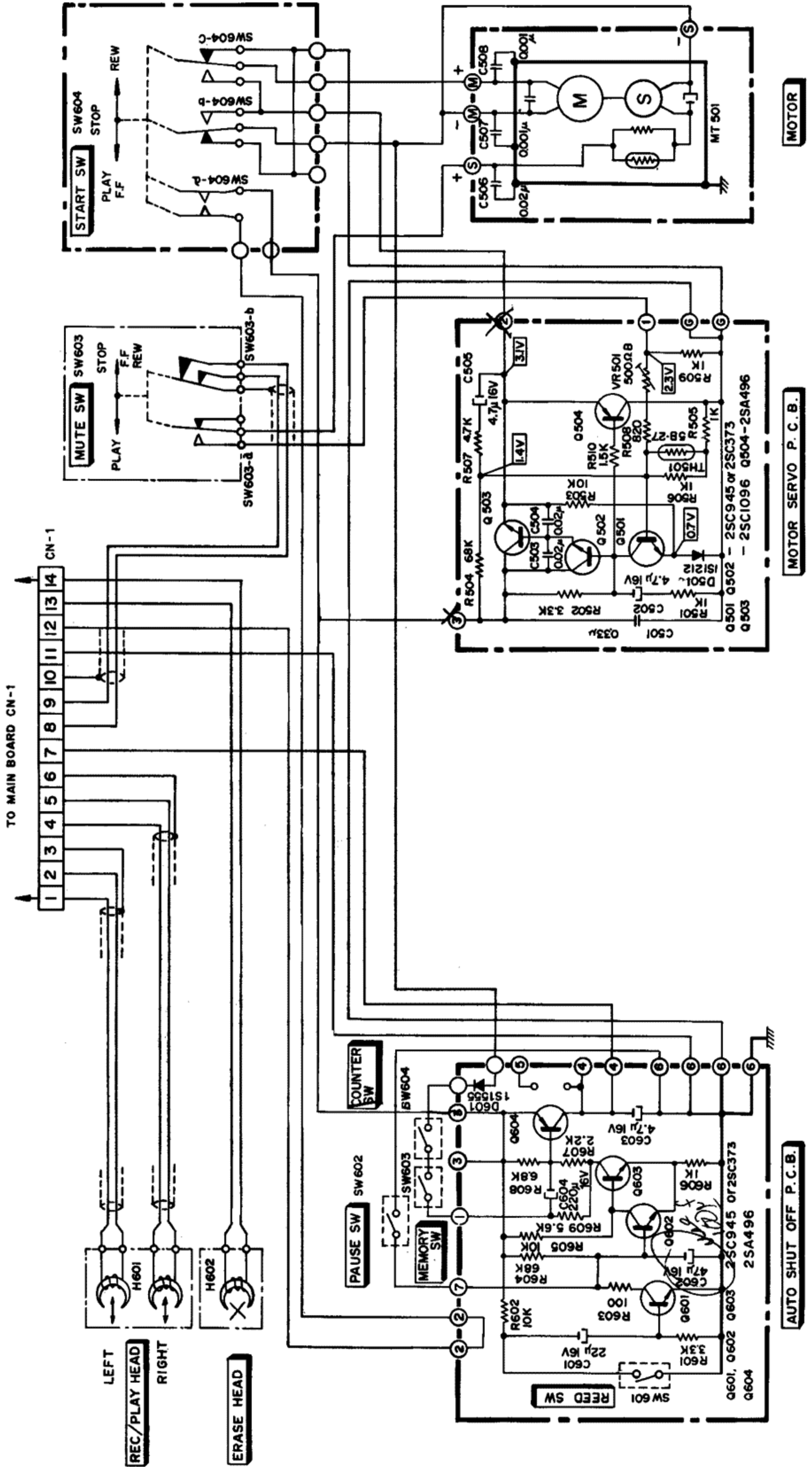


# PARTS LIST—CHASSIS

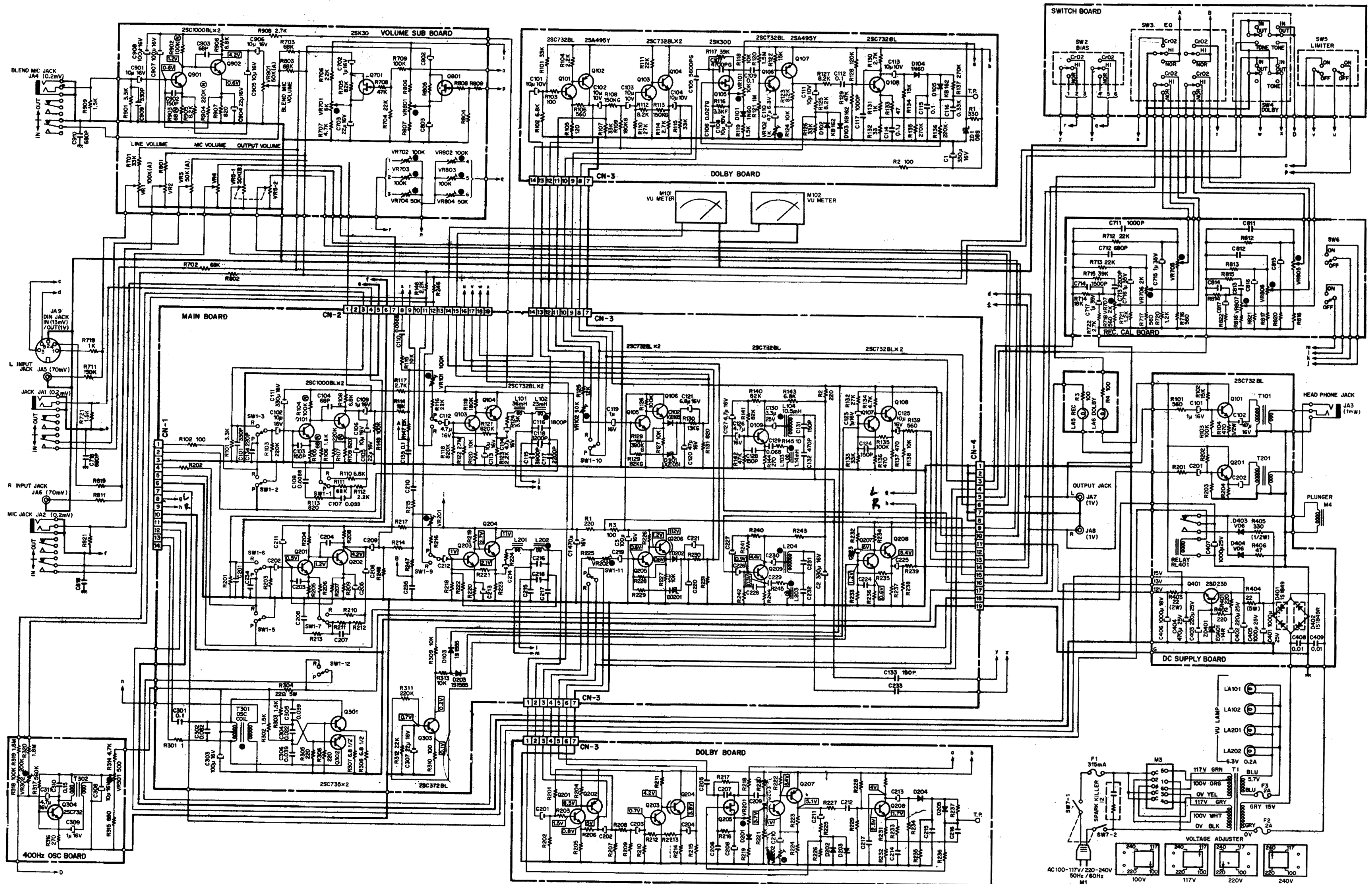
Schematic Ref. No.	Part No.	Description	Schematic Ref. No.	Part No.	Description
301	B-8101	Meter Lamp 6.3V, 0.2A	242	E-510	Screw M3x8 (2A) Philips Pan Head
302	B-7599U	Lamp PC Board	243	E-618	Screw M3x4 (Triple) Philips Pan Head
303	J-3316	Lamp Shield	244	E-643	Screw M4x8 (3A) Philips Pan Head
304	J-3274	Meter Lamp Hold	245	E-514	Screw M3x15 Philips Pan Head
305	CA-3228	Mechanism Ass'y	246	E-259	Screw M2.6x4 (Triple) Philips Pan Head
306	B-3843	Dolby PC Board Holder	247	E-252	Washer 3m/m CS type
307	B-3900U	Power Cord	248	E-588	Screw M3x8 Philips Pan Head
308	H-3335	Voltage Selector Socket Cover	249	E-590	Screw M3x12 Philips Pan Head
309	B-3920	Ground Terminal	251	E-589	Screw M3x6 Philips Pan Head
310	B-8037	Cord Bushing C	252	E-592	Screw M2.6x4 Philips Pan Head
311	A-3154	Cord Spacer	253	E-581	Washer 3m/m Spring
312	J-3323	Rear Panel (DT-500)	254	E-651	Washer 2.6m/m Plastic
313	BA-3660	Record CAL. Board Ass'y	255	E-157	Washer 3m/m Plastic
314	J-3277	Metal Seat Nut	256	E-124	Screw M2x4 Philips Pan Head
315	B-3877	Voltage Selector Socket	257	E-591	Screw M3x20 Philips Pan Head
316	B-1651	14P Plug Board			
317	BA-3694	19P Sub Board Ass'y			
318	H-3334	Voltage Selector Socket Acrylic Cover			
319	BA-3625	Dolby Board Ass'y			
320	B-1798	19P Plug Board			
321	BA-3682	Main Board Ass'y			
322	H-3141	Lamp Cover CN1 (RED)			
323	H-3142	Lamp Cover CN2 (Green)			
324	H-3345	Meter Holder (DT-500)			
325	J-3321	Light Intercepting Pipe GA			
326	J-3322	Light Intercepting Pipe GB			
327	B-8111	Level Meter			
328	J-3315	Reflecting Plate			
329	B-1431	Rubber Bush			
330	B-3939	Meter Cushion			
331	B-3884	Pilot Lamp 12V, 25mA			
332	M-3524	Adj. Indicator Level			
333	JA-3254	Main Chassis Ass'y			
334	BA-3657	Switch Sub Board Ass'y			
335	J-3261	Jack Holder			
336	J-3264	Head Phone Holder			
337	J-3236	Jack Cover			
338	J-3267	Main PC Board Holder			
339	BA-3634	D.C. Supply Board Ass'y			
340	J-3340	D.C. Supply Board Holder			
341	B-8092	Solenoid			
342	B-8099	Solenoid Mylar			
343	J-3273	Solenoid Connection Plate			
344	B-3771	Power Switch			
345	J-3263	Power Switch Cover			
346	B-8110	Shield Plate			
347	BA-3661	Volume Sub Board Ass'y			
348	B-8100	Fuse 250V, 2A			
349	B-8098	Fuse 250V, 315mA			
350	B-8048	Fuse Holder			
351	M-3448	Fuse Level 2A			
352	M-3449	Fuse Level 315mA			
353	J-3255	Chassis Right			
354	B-6520	Power Trans			
355	J-3051	Trans Shield Plate			
356	C-1162	Metal Seat Nut			
357	B-3873	Spark Killer			
358	B-8030	3P Terminal Insulator			
359	B-8024	3P Terminal Strip			
360	J-3256	Chassis Left			
361	B-3881	Mic Jack			
362	B-3882	Headphone Jack			
363	H-3366	Washer for Voltage Selector Cover			
364	BA-3659	400Hz OSC Board Ass'y			
365	J-3327	Blue Filter			
R146, 246	B-4042	3P Lug Terminal			
R721, 821	B-5566	Carbon Resistor 2.2K ELR $\frac{1}{4}$ , J			
909	B-5698	Carbon Resistor 1.5K R $\frac{1}{4}$ , J			
C718, 818	T-4027	Ceramic Capacitor 680P, 50V, M			
910					
214	E-25	Washer 2m/m Spring			
222	E-172	Washer 3m/m Toothed Lock			
230	E-37	Earth Lug B-5			
235	E-30	Washer 3m/m Steel			
236	E-507	Nut 3m/m			
240	E-612	Screw M3x6 (2A) Philips Pan Head			
241	E-606	Screw M3x6 (3A) Philips Pan Head			



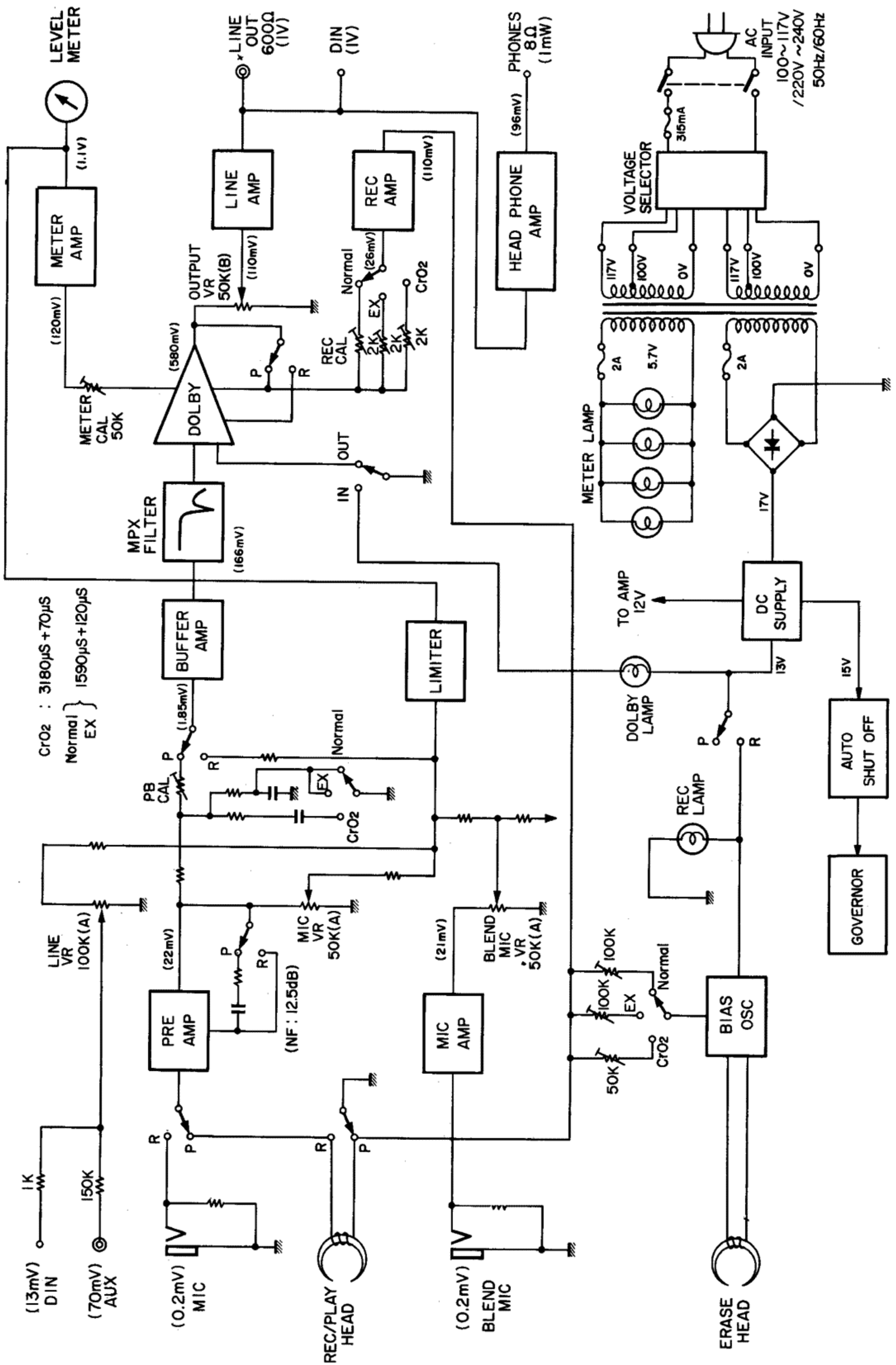
# MECHANISM WIRING DIAGRAM



# SCHEMATIC DIAGRAM



# BLOCK DIAGRAM



# Service Manual

# Nakamichi 500

## **NAKAMICHI RESERACH INC.**

1-153 Suzukicho, Kodaira, Tokyo  
Phone: (0423) 42-1111  
Telex: 2832610 (NAKREI J)  
Cable: NAKREI KKB

## **NAKAMICHI RESEARCH (U.S.A.) INC.**

West Coast Office  
1101 Colorado Avenue,  
Santa Monica, Calif. 90404  
Phone: (213) 451-5901  
Telex: 65249 (NAKREI SNM)

## **NAKAMICHI RESEARCH (U.S.A.) INC.**

New York Office  
220 Westbury Avenue,  
Carle Place, N.Y. 11514  
Phone: (516) 333-5440  
Telex: 144513 (NAKREI CAPL)