



Service Manual

Nakamichi 581

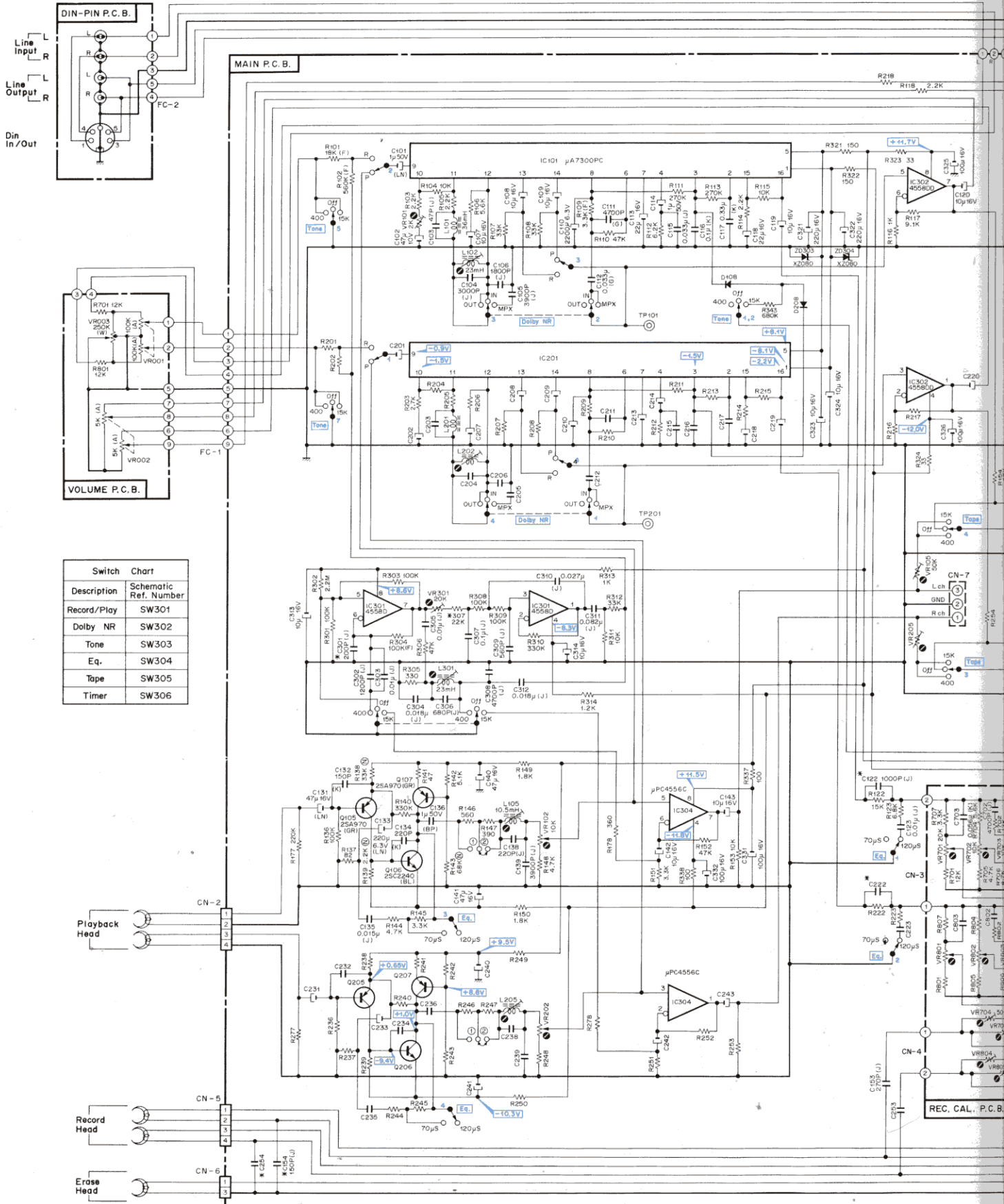
Discrete Head Cassette Deck



13. SCHEMATIC DIAGRAMS

Note: Refer to diagrams of ICs on page 91.

13.1. Amplifier



Switch Chart	
Description	Schematic Ref. Number
Record/Play	SW301
Dolby NR	SW302
Tone	SW303
Eq.	SW304
Tap	SW305
Timer	SW306

Fig. 13.1.1 Serial No

Notes: 1. Diode is 1SS53, 1S953, or 1S1555 unless otherwise specified.
2. Resistor and capacitor marked with * show typical value.

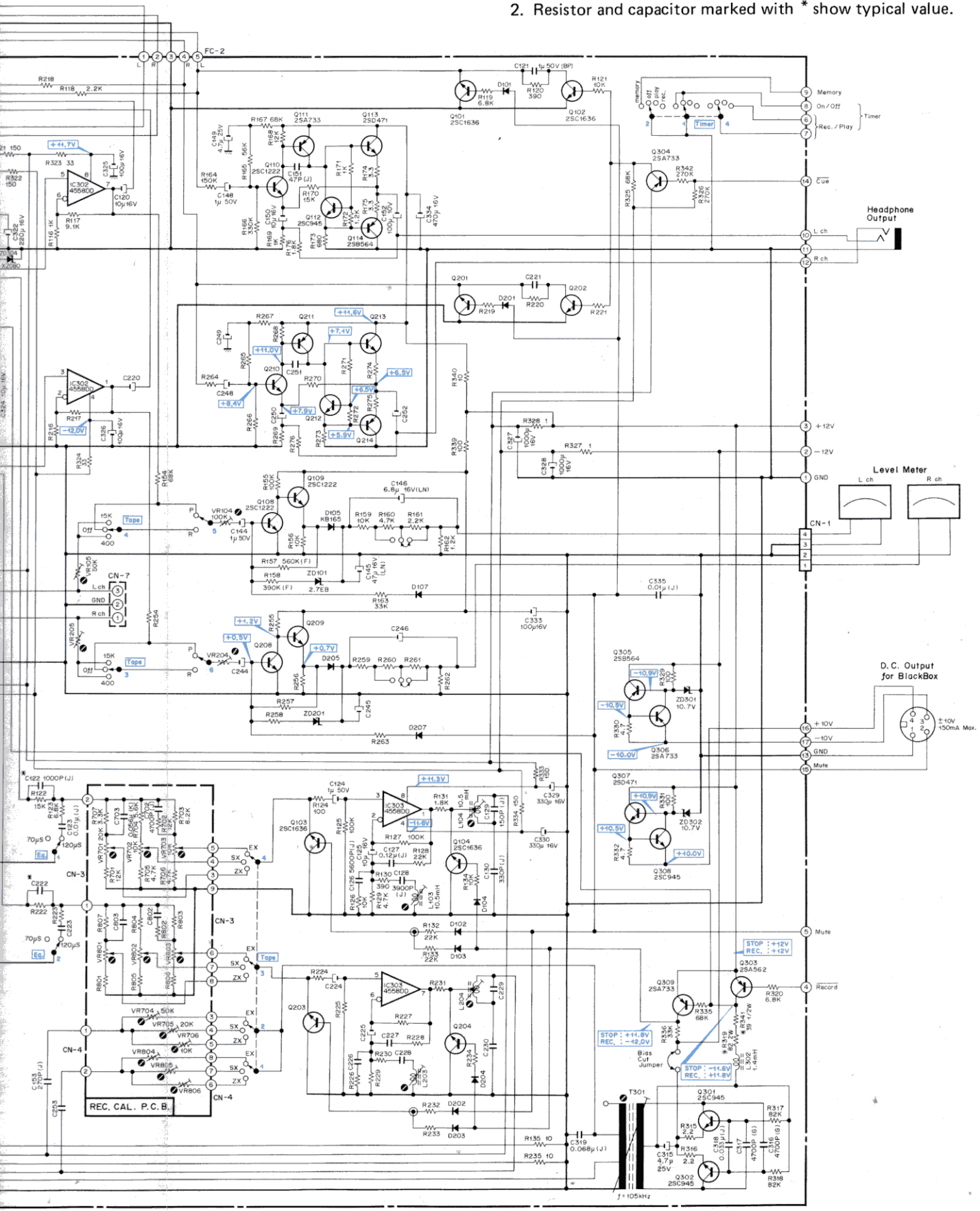
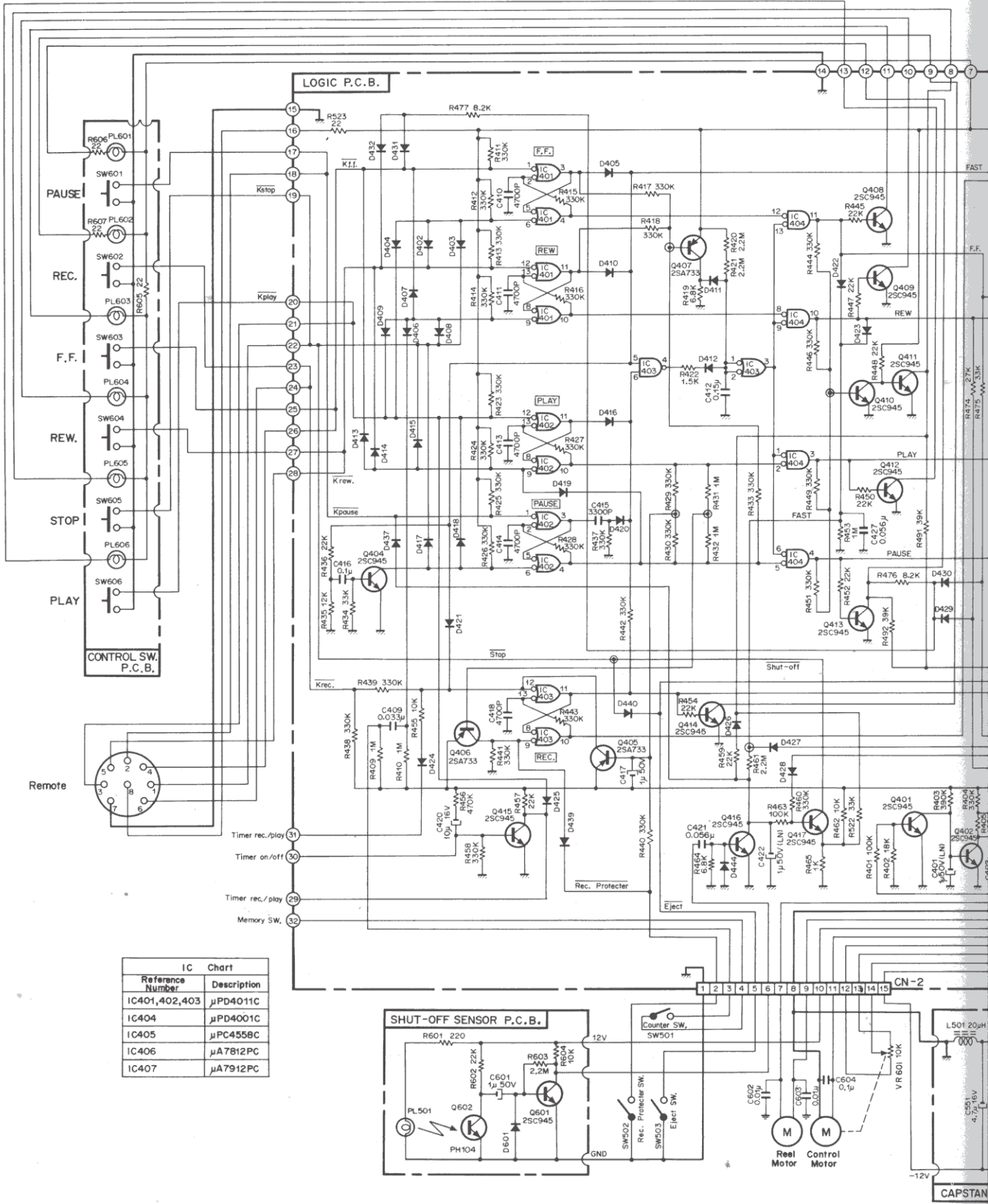


Fig. 13.1.1 Serial No.: A30206060 -

13.2. Mechanism Control



IC Chart	
Reference Number	Description
IC401,402,403	μPD4011C
IC404	μPD4001C
IC405	μPC4558C
IC406	μA7812PC
IC407	μA7912PC

Fig. 13.2.1
Serial No.: A30206790

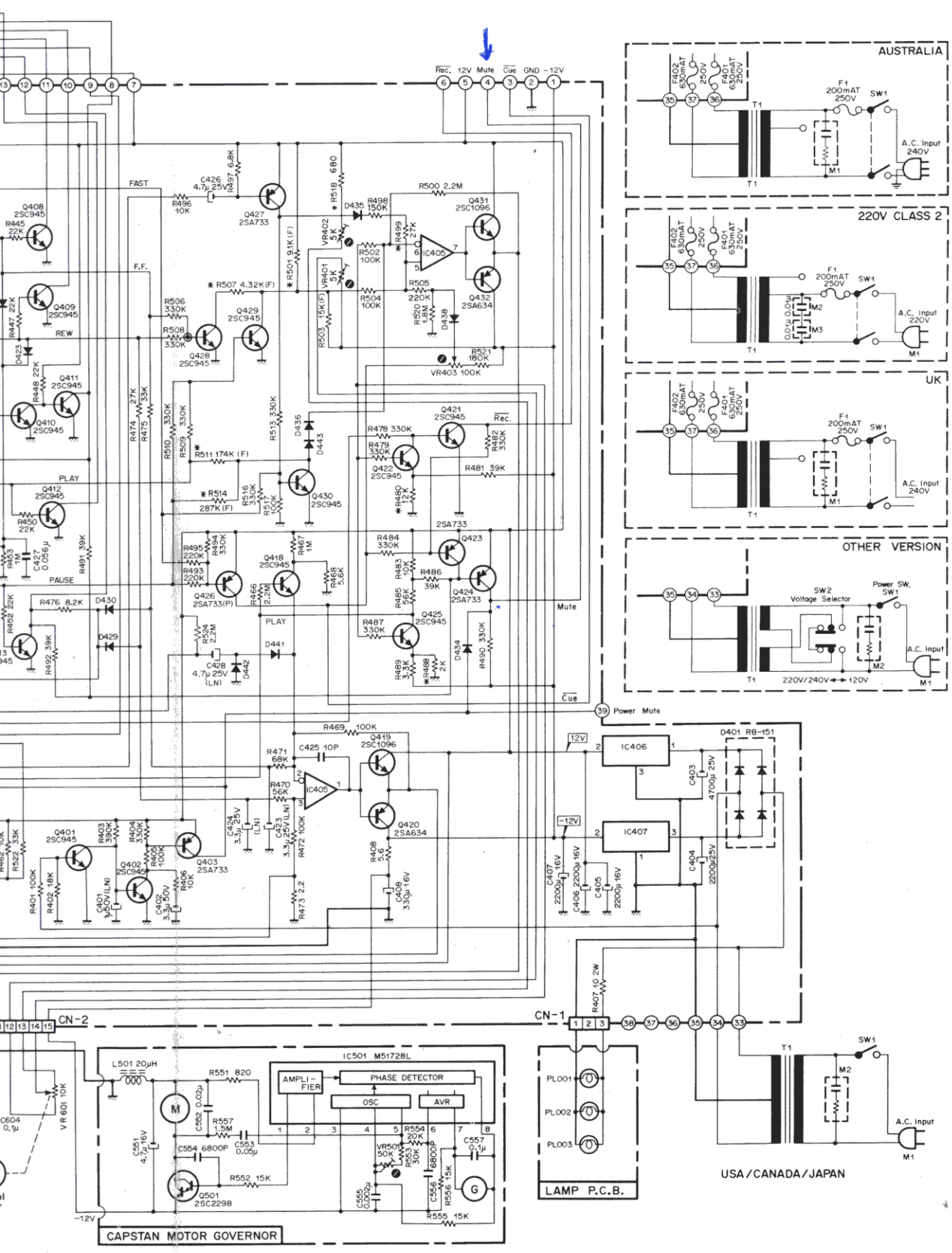


Fig. 13.2.1

- Notes: 1. Diode is 1SS53, 1S953, or 1S1555 unless otherwise specified.
- 2. Resistor marked with * shows typical value.

erial No.: A30206790 --