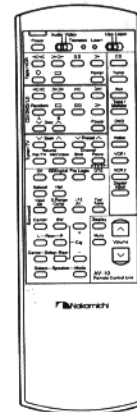
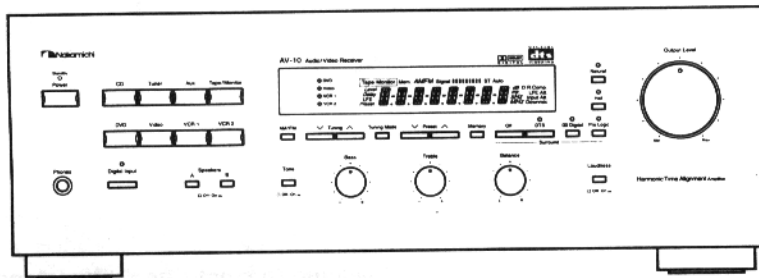


# Service Manual

## AV-10 Audio/Video Receiver



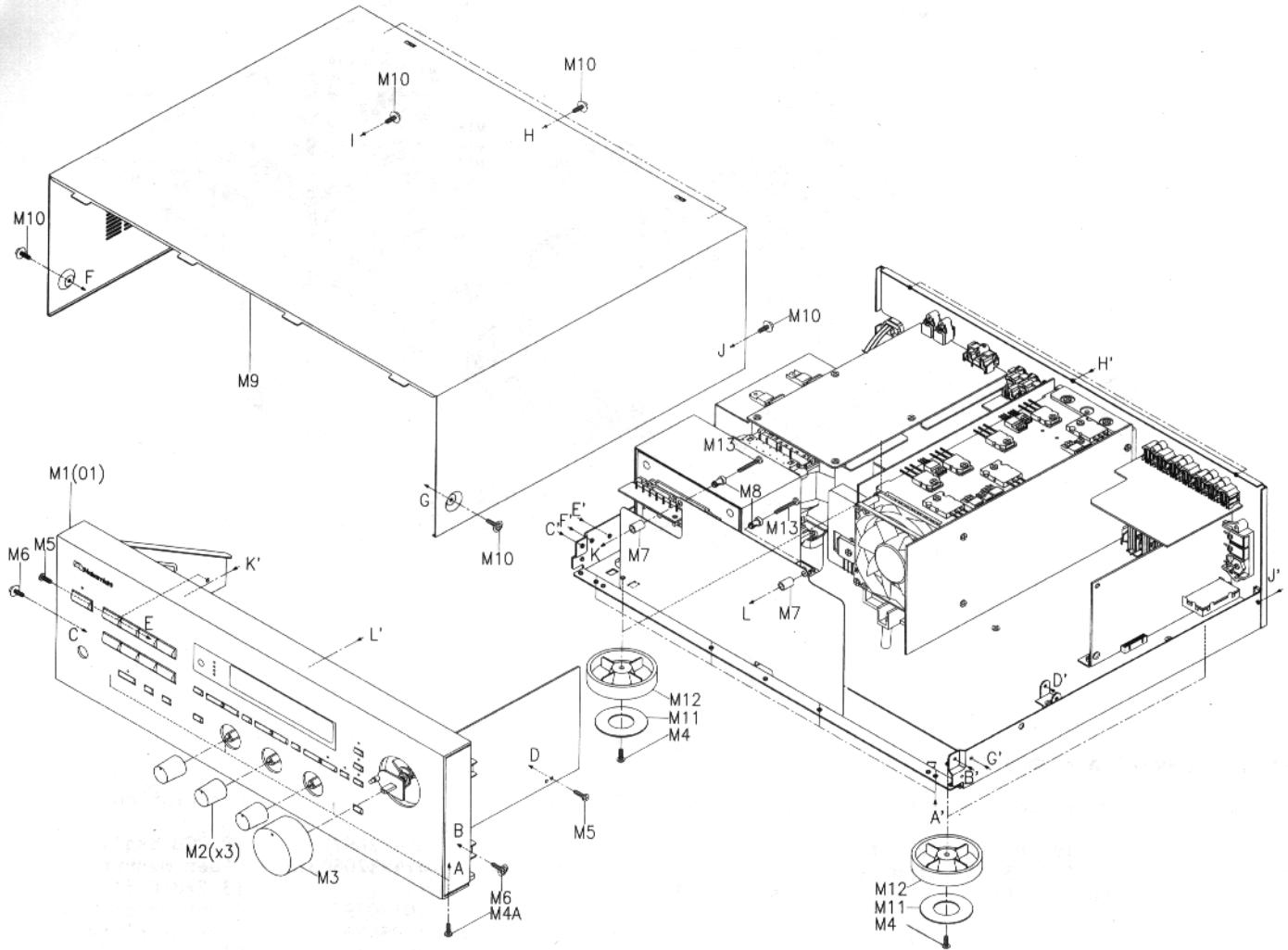
 Nakamichi

**1-4. Package Ass'y and Accessory Ass'y**

Package Ass'y Ref. No.	Part No.	Description	Q'ty	Ref. No.	Part No.	Description	Q'ty
01	900107975P	Snow box	2		9080024620	Instruction book (F/SP)	1
02	900307975P	Soft sheet 700x1200	1		4300103380	AM loop antenna ass'y	1
03	900207975P	Master carton	1		4620320031	Battery R6P/SUM-3N	2
					5401160021	FM indoor antenna	1
					704975A013	Antenna adaptor YAE-21-0425	1
Accessory Ass'y					9120005480	Warranty card	1
	RE66-D2	Remote control ass'y	1		9902304080	Poly bag 23x40 (1/B)	1
	9080024600	Instruction book (E)	1				

# 4. MECHANISM ASS'Y AND PARTS LIST

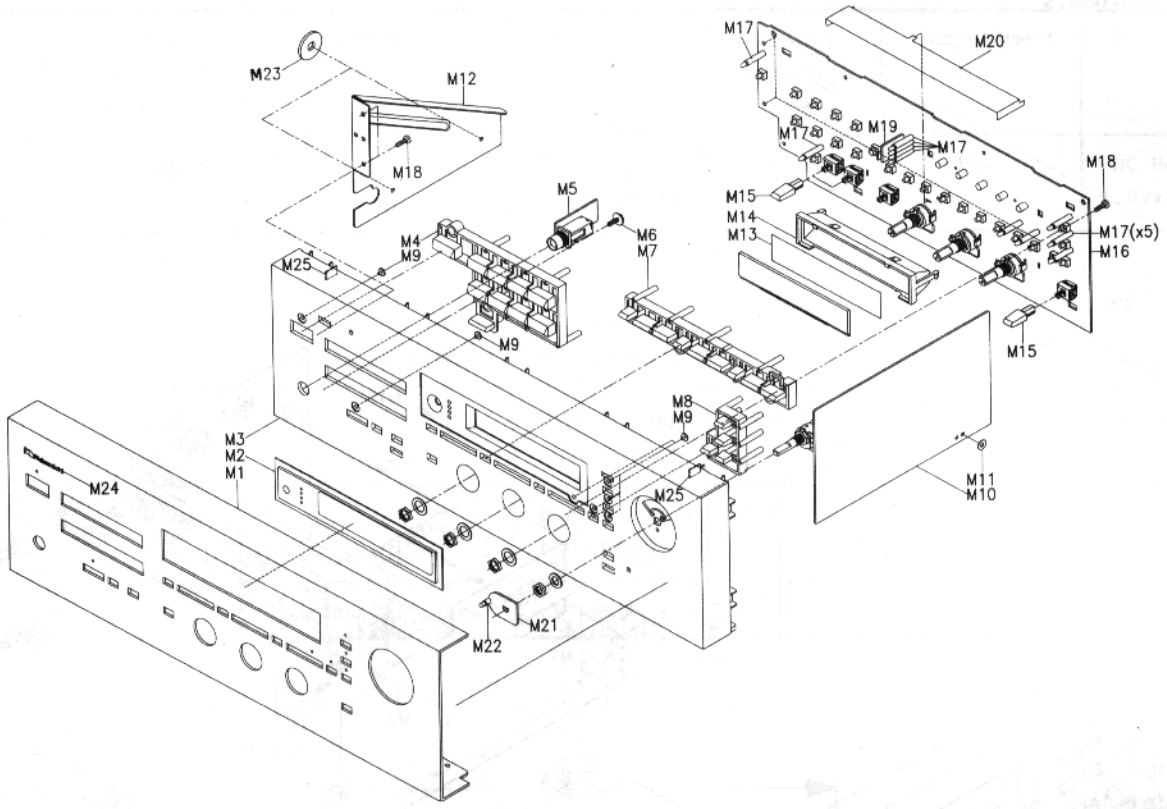
## 4-1. Synthesis



## 4-1. Synthesis

Ref. No.	Part Number	Description	Q'ty	Ref. No.	Part Number	Description	Q'ty
M1	B985A81001	Front panel ass'y (01) (For UL)	1	M5	8941300600	9 (Taptite-B) BID3006 ZN3A	3
	B985A87001	Front panel ass'y (01) (For DU)	1	M6	8961300600	9 (Taptite-B) CUP3006 ZN3A	2
M2	101007975A	Balance knob (For UL)	3	M7	201707975P	Spacer supports (RS-105)	2
	101207981A	Balance knob (For DU)	3	M8	201607975P	Spacer supports (RS-1)	2
M3	000107975A	Volume knob ass'y (For UL)	1	M9	101207975P	Top cover (For UL)	1
	000107981A	Volume knob ass'y (For DU)	1	M10	100807984A	Top cover (For DU)	1
M4	8941300800	9 (Taptite-B) BID3008 ZN3A	4	M11	8962300800	9 (Taptite-B) CUP3008 ZN3K	7
M4A	0E03936A	BT3x8 Bind+ BLK C BID3022 ZN3A	4	M12	JS27593800	Foot sheet (20)	4
				M13	JS85047200	55 foot A	4
					8741302200	7 (Taptite-P)	2

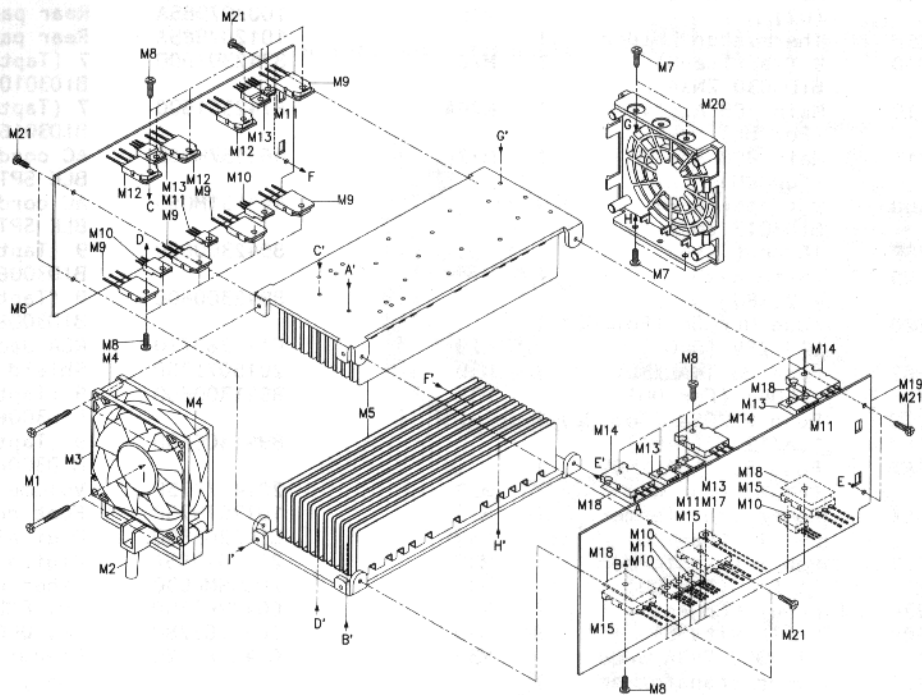
4-2. Front Panel Assembly (01)



4-2. Front Panel Assembly (01)

Ref. No.	Part Number	Description	Q'ty	Ref. No.	Part Number	Description	Q'ty
M1	100107985A	Front panel	1	M10	C147269720	VR PCB ass'y	1
M2	101207975A	Tuning window	1	M11	W149320805	Fiber washer (3.2x8x0.5)	1
M3	100227975A	Front chassis (For UL)	1	M12	201207975P	Front panel bracket	1
	101707981A	Front chassis (For DU)	1	M13	100907975P	Display plate	1
M4	100507985A	Function button (For UL)	1	M14	2M975A0010	Display holder	1
	100607985A	Function button (For DU)	1	M15	100907975A	Push button (For UL)	4
M5	C043267930	Headphone PCB ass'y	1	M16	101307981A	Push button (For DU)	4
M6	8741301014	7 (Taptite-P) BID3010 WF14 ZN3A	1		C143267910	Front PCB ass'y (For UL)	1
M7	100607975A	Tuning button (For UL)	1		C143267913	Front PCB ass'y (For DU)	1
	100907984A	Tuning button (For DU)	1	M17	2014072115	LED holder (2 PIN)	11
M8	100817975A	Natural button (For UL)	1	M18	8741301000	7 (Taptite-P) BID3010 ZN3A	6
	100707984A	Natural button (For DU)	1	M19	C043267920	Sensor PCB ass'y	1
M9	1047071600	Indicator	7	M20	201307975P	Shield plate (A)	1
				M21	C047269760	LED PCB ass'y	1
				M22	2017001005	LED holder	1
				M23	201807975P	Sponge (SIDE)	2
				M24	101007985A	Badge (For UL)	1
				M25	101107985A	Badge (For DU)	1
					202007975P	PVC space	2

### 4-3. Heat Sink Assembly (02)



### 4-3. Heat Sink Assembly (02)

Ref. No.	Part Number	Description	Q'ty	Ref. No.	Part Number	Description	Q'ty
M1	8941303000	9 (Taptite-B) BID3030 ZN3A	4	M12	410001962Y,0,R	TR 2SA1962Y,0 [Q310L/R,Q312L/R]	4
M2	200707975P	Heat sink holder	1	M13	4100018370	TR 2SA1837 [Q308C,Q308L/R, Q358L/R]	5
M3	722974P001	DC fan CHA8012B	1	M14	4100019870,R	TR 2SA19870,R	3
M4	2061079607	Spacer supports	2	M15	4100253590,R	2SC53590,R	3
M5	000117975P	Heat sink ass'y	2	M17	7132110001	Thermistor PTH9M04BH471TS2F333	1
M6	C142267810	L/R amp PCB ass'y	1	M18	2000001130	Desc. mica 4Q (18x23)	2
M7	8941300800	9 (Taptite-B) BID3008 ZN3A	4	M19	C142267820	3 amp PCB assembly	1
M8	8941301000	9 (Taptite-B) BID3010 ZN3A	30	M20	1K53K79607	Block holder	1
M9	410025242Y,0,R	TR 2SC5242Y,0,R [Q309L/R,Q311L/R]	4	M21	8941300600	9 (Taptite-B) BID3006 ZN3A	8
M10	4100247930	TR 2SC47930 [Q307C,Q307L/R, Q357L/R]	5				
M11	410023421Y,0	TR 2SC3421Y,0 [Q306C,Q306L/R,Q356L ,Q356R]	5				

4-4. Bottom Chassis Assembly (03)

Ref. No.	Part Number	Description	Q'ty	Ref. No.	Part Number	Description	Q'ty
M1	200117975P	Bottom chassis	1	M20	2011079510	PCB holder	1
M2	2125079993	Spacer supporter	9	M21	2000000145	P-rivet 3x4.5	1
M4	8941300800	9 (Taptite-B)	5	M22	C142264800	Tuner PCB Ass'y	1
M5	B985A81003	BID3008 ZN3A	1	M23	2010079510	Earth terminal	1
M6	200907975P	Heat sink Ass'y	1	M24	4580000021	Cord stopper 2271	1
M7	8941303000	(02)	1	M25	100307985A	Rear panel (For UL)	1
M8	C147269710	Thermistor holder	1	M26	101207985A	Rear panel (For DU)	1
M9	C147269713	9 (Taptite-B)	1	M26	8742301000	7 (Taptite-P)	24
M10	8941301800	BID3030 ZN3A	1	M26A	8742301600	BID3010 ZN3K	4
M11	200807975P	Main PCB Ass'y	1	M27	463157M065	7 (Taptite-P)	1
M12	5266400B20	(For UL)	1	M27	463131M065	BID3016 ZN3K	1
M13	5267400B62	Main PCB Ass'y	1	M28	8942300600	AC cord 6.5FT	1
M14	52661A0L20	(For DU)	1	M28	8942300600	BLK SPT-2 (For UL)	1
M15	52671A0B62	9 (Taptite-B)	9	M29	8942300600	AC cord 6.5FT	1
M16	705985P081	BID3018 ZN3A	1	M30	8942300600	BLK SPT-2 (For DU)	1
M17	705985P087	IC heat sink	1	M31	8942300600	9 (Taptite-B)	3
M18	C047269730	Earth washer	1	M32	C147269770	BID3006 ZN3K (For UL)	7
M19	8641400808	4.2Qx8Q	1	M33	201507975P	BID3006 ZN3K (For DU)	1
	420D862296	Fuse UL/CSA (For UL)	1	M34	8941300600	9 (Taptite-B)	2
	420F869209	4A/125V (F404)	1	M35	8941300600	BID3006 ZN3A (For UL)	6
	C147269740	Fuse BS T4AL250V	1	M36	201407975P	9 (Taptite-B)	1
	5266200B20	(F404) (For DU)	1	M37	101307975P	RCA Jack PCB Ass'y	1
	5267200B62	Fuse UL/CSA (For UL)	1	M38	C142268800	Shield plate (B)	1
		10A/125V (F401)	1	M39	201207985A	9 (Taptite-B)	2
		Fuse BS T10AL250V	1	M40	2MCOMM0030	BID3006 ZN3A (For UL)	1
		(F401) (For DU)	1	M41	C047269750	9 (Taptite-B)	6
		Power transformer	1	M42	C047269780	BID3006 ZN3A (For DU)	1
		EI-114 (For UL)	1	M43	C142267720	Volume PCB holder	1
		EI-114 (For DU)	1	M44	C142267710	Foot rubber	1
		Power PCB Ass'y	1		C144270800	Digital PCB Ass'y	1
		6 (Taptite-S)	8		5267500B62	Digital PCB bracket	1
		BID4008 ZN3A SWQ8	1		200107975A	Fiber washer (0.25)	5
		Power transformer	1		200207975A	TR. PCB Ass'y	1
		EI-86 (For UL)	1			TR. Q403 PCB Ass'y	1
		Power transformer	1			Preout jack PCB	1
		EI-86 (For DU)	1			Ass'y	1
		Fuse PCB Ass'y	1			S. video PCB Ass'y	1
		Fuse UL/CSA 2A/125V	2			AC selector PCB	1
		(F402,403) (For UL)	2			Ass'y (For DU)	1
		Fuse BS T2AL250V	3			Fuse BS T5AL250V	1
		(F402,403,406)	3			(F405) (For DU)	1
		(For DU)	3			AC switch bracket	1
						(For DU)	1
						AC slide plate	1
						(For DU)	1

**NOTES: Abbreviations**

TR-Transistor, SID-Silicon Diode, ZD-Zener Diode, RK-Carbon Resistor  
 RSS/RSN-Metal Film Resistor, RC-Cement Resistor, CE-Electrolytic Capacitor  
 CM-Mylar Capacitor, CG-Gold Capacitor, CC-Ceramic Capacitor, CKF-Ceramic Capacitor  
 CMEM-Metalized Polyester Capacitor, CPL-Polystyrene Capacitor, C-Mica Capacitor  
 CML-Multi-layer Ceramic Capacitor, Parts Marked With \* Show Chip Parts.

**Front P.C.B. Ass'y**

Schematic Ref. No.	Part No.	Description	Schematic Ref. No.	Part No.	Description
	C143267910	Front P.C.B. Ass'y (For UL)	R040L,R	4050412355	RK 12K 1/4W J
	C143267913	Front P.C.B. Ass'y (For DU)	R041L,R	4050182355	RK 82K 1/6W J
	4143267910	Front P.C.B.	R042L,R	4050147155	RK 470 1/6W J
			R043L,R	4050127255	RK 2.7K 1/6W J
			R044L,R	4050115355	RK 15K 1/6W J
			R045L,R	4050120255	RK 2K 1/6W J
			R046L,R	4050168155	RK 680 1/6W J
			R047L,R	4050110355	RK 10K 1/6W J
IC001	415286524X	IC LC865624A-XXX	R050,051	4050147355	RK 47K 1/6W J
IC002	415275824E	IC LC75824E	R052,053	4050110355	RK 10K 1/6W J
IC003,004	4159021140	IC BU2114	R054	4050147455	RK 470K 1/6W J
IC005	4151045708	IC UPC4570HA	R055	4050110255	RK 1K 1/6W J
IC006	41594556AL	NJM4556AL	R056-059	4050110155	RK 100 1/6W J
	or 415904556L	NJM4556L	R060	4050422155	RK 220 1/4W J
Q001,002	410520945P,Q	2SC945P,Q	R061	4050127155	RK 270 1/6W J
Q005-008	4109101245	DTA124ES	R062	4050112155	RK 120 1/6W J
Q010	410520945P,Q	2SC945P,Q	R063	4050110155	RK 100 1/6W J
Q012	410500733P,Q	2SA733P,Q	R064-066	4050110355	RK 10K 1/6W J
Q013-016	410522878A	2SC2878A	R068	4050112155	RK 120 1/6W J
Q001	410090600M	Crystal 6.00MHz	R069	4050168155	RK 680 1/6W J
D001	4121901330	Sid 1SS133	R070L,R	4050110255	RK 1K 1/6W J
D002	4138104002	Sid IN4002L	R071L,R	4050147355	RK 47K 1/6W J
D003-007	4121901330	Sid 1SS133	R072L,R	4050110255	RK 1K 1/6W J
LCD001	4110440257	LCD Display DLC-A1996PN	R073L,R	4050156255	RK 5.6K 1/6W J
LED001-005	412064240D	LED 5Q EL424-6USOD/S283 (AMBER)	R074L,R	4050110155	RK 100 1/6W J
			R075L,R	4050110355	RK 10K 1/6W J
LED006-008	4120612543	LED 3Q EL1254SOT (ORG)	R076,077	4050447055	RK 47 1/4W J
LED009	412063VGNW	LED 3Q L-3VGNW (AMBER/GREEN)	R078,079	4050147255	RK 4.7K 1/6W J
			R080	4050182155	RK 820 1/6W J
LED010-015	4120612543	LED 3Q EL1254SOT (ORG)	R081	4050112255	RK 1.2K 1/6W J
LED016	412063VGNW	LED 3Q L-3VGNW (AMBER/GREEN)	R082	4050115255	RK 1.5K 1/6W J
			R083	4050122255	RK 2.2K 1/6W J
VR001	5020125160	VR 250KMN	R084	4050133255	RK 3.3K 1/6W J
VR002	5020252307	VR 100Kx2	R085	4050147255	RK 4.7K 1/6W J
VR003	5020254158	VR 50Kx2	R086	4050182255	RK 8.2K 1/6W J
S001-023	4400000160	Tact SW. SKHVBL3720-CP	R087	4050115355	RK 15K 1/6W J
S024	4430402700	Push SW. SPEA12MCO4-CP5	R088	4050168155	RK 680 1/6W J
S025-027	4430206415	Push SW. SEA12MCO01-CP	R089	4050182155	RK 820 1/6W J
L001	4328247186	Motor Choke 470uH "K"	R090	4050112255	RK 1.2K 1/6W J
L003	4325047093	Peaking Coil 47uH	R091	4050115255	RK 1.5K 1/6W J
			R092	4050122255	RK 2.2K 1/6W J
R001	4050147355	RK 47K 1/6W J	R093	4050133255	RK 3.3K 1/6W J
R002	4050110255	RK 1K 1/6W J	R094	4050168155	RK 680 1/6W J
R003	4050147355	RK 47K 1/6W J	R095	4050182155	RK 820 1/6W J
R004	4050147255	RK 4.7K 1/6W J	R096	4050112255	RK 1.2K 1/6W J
R005	4050147355	RK 47K 1/6W J	R097	4050115255	RK 1.5K 1/6W J
R006-013	4050110355	RK 10K 1/6W J	R098	4050122255	RK 2.2K 1/6W J
R017	4050110355	RK 10K 1/6W J	R099	4050147255	RK 4.7K 1/6W J
R018-020	4050110255	RK 1K 1/6W J			
R021	4050147355	RK 47K 1/6W J	C001,002	5121200552	CC 20p 50V J (CH)
R022	4050127455	RK 270K 1/6W J	C003	2000001014	CG .1F 5.5V Z (Gold)
R023	4050410255	RK 1K 1/4W J	C004	7308622345	CML .022u 25V Z
R024,025	4050110255	RK 1K 1/6W J	C005	7306610445	CML .1u 50V Z
R026	4050410255	RK 1K 1/4W J	C006	5153221216	CE 220u 16V M
R027,028	4050110155	RK 100 1/6W J	C007	5153470210	CE 47u 10V M
R029	4050127155	RK 270 1/6W J	C008	5153100250	CE 10u 50V M
R030L,R	4050156255	RK 5.6K 1/6W J	C009	7308622345	CML .022u 25V Z
R031L,R	4050156255	RK 5.6K 1/6W J	C010	7306610445	CML .1u 50V Z
R032L,R	4050110155	RK 100 1/6W J	C011	5157229250	CE 2.2u 50V M (LN)
R033L,R	4050115455	RK 150K 1/6W J	C012	5153109250	CE 1u 50V M
R034L,R	4050110475	RK 100K 1/6W J 1%	C013	7306610445	CML .1u 50V Z
R035L,R	4050156455	RK 560K 1/6W J	C016	5153101210	CE 100u 10V M
R036L,R	4050110255	RK 1K 1/6W J	C017	7308622345	CML .022u 25V Z
R037L,R	4050112375	RK 12K 1/6W J 1%	C018	5153221216	CE 220u 16V M
R038L,R	4050110275	RK 1K 1/6W J 1%	C030L,R	5116102550	CM .001u 50V J
R039L,R	4050112375	RK 12K 1/6W J 1%	C031L,R	5113104563	CMEM .1u 63V J





Schematic Ref. No.	Part No.	Description
C131	5116122511	CM 0.0012u 100V J
C132	5153100250	CE 10u 50V M
C133,134	5116333511	CM 0.033u 100V J
C135,136	5153339250	CE 3.3u 50V M
C139L,R	5153479250	CE 4.7u 50V M
C140L,R	5116472511	CM 0.0047u 100V J
C141L,R	7306510215	CML 0.001u 50V K
C145,146	7306510215	CML 0.001u 50V K
C147	7307110315	CML 0.01u 16V Z
C148	5163339250	CE 3.3u 50V M (NON)
C149	5153101216	CE 100u 16V M
C150	7308622345	CML 0.022u 25V Z
C151	5153101216	CE 100u 16V M
C152,153	7307110315	CML 0.01u 16V Z
C154	5153470216	CE 47u 16V M
C155-157	7306510115	CML 100P 50V K
C158	7308622345	CML 0.022u 25V Z
C159	7306647345	CML 0.047u 50V Z
C160	7306510215	CML 0.001u 50V K
C161	7308622345	CML 0.022u 25V Z
C162	5153331216	CE 330u 16V M
C163,164	5121270552	CC 27P 50V J (CH)
C165	7306647345	CML 0.047u 50V Z
C167	7306015055	CML 15p 50V J
C168-170	7308622345	CML 0.022u 25V Z
C171	7306647345	CML 0.047u 50V Z
C172	7306510215	CML 0.001u 50V K
C173	5153101216	CE 100u 16V M
CN101	4491100317	Socket 11P
TP1	4494000297	40P Pin Header
	4562030003	Egg Terminal 3Q

### S. Video P.C.B. Ass'y

Schematic Ref. No.	Part No.	Description
	C142267710	S. Video P.C.B. Ass'y
	4142267710	S. Video P.C.B.
IC301,302	4152079510	IC LA7951
IC301	4121901330	Sid 1SS133 (T. Up)
Q301-306	410520945P,Q	2SC945P,Q
D301,302	4121901330	1SS133
JK301	4500900470	3P Y/C Con. Jack
		YKF-515516
JK302,303	4500900469	2P Y/C Con. Jack
		YKF-515512
R301-304	4050175055	RK 75 1/6W J
R305,306	4050168055	RK 68 1/6W J
R307,308	4050110355	RK 10K 1/6W J
R309,310	4050175055	RK 75 1/6W J
R311,312	4050168055	RK 68 1/6W J
R313,314	4050110355	RK 10K 1/6W J
R315,316	4050175055	RK 75 1/6W J
R317,318	4050168055	RK 68 1/6W J
R319,320	4050110355	RK 10K 1/6W J
R323	4050112255	RK 1.2K 1/6W J
R324	4050115155	RK 150 1/6W J
R325	4050112255	RK 1.2K 1/6W J
R326	4050115155	RK 150 1/6W J
R327	4050112255	RK 1.2K 1/6W J
R328	4050115155	RK 150 1/6W J
R329	4050112255	RK 1.2K 1/6W J
R330	4050115155	RK 150 1/6W J
R331	4050112255	RK 1.2K 1/6W J
R332	4050115155	RK 150 1/6W J
R333	4050112255	RK 1.2K 1/6W J
R334	4050115155	RK 150 1/4W J
C301-304	5153100216	CE 10u 16V M
C305	5153471210	CE 470u 10V M

Schematic Ref. No.	Part No.	Description
C306-308	5153100216	CE 10u 16V M
C309	5153471210	CE 470u 10V M
C310-312	5153100216	CE 10u 16V M
C313	5153471210	CE 470u 10V M
C314	5153100216	CE 10u 16V M
C315-320	7306510115	CML 100p 50V K
C321	5153470216	CE 47u 16V M
C322	5153101216	CE 100u 16V M
C323	5153470216	CE 47u 16V M
C324,325	7306522115	CML 220p 50V K
C327	7306522115	CML 220p 50V K
C328	5153470216	CE 47u 16V M
C330,331	7306610445	CML .1u 50V Z
CN901	4490500270	FTW 5P Top Base

### Preout Jack P.B.C. Ass'y

Schematic Ref. No.	Part No.	Description
	C142267720	Preout Jack P.B.C. Ass'y
	4142267720	Preout Jack P.B.C.
R340	4050110355	RK 10K 1/6W J
R341	4050122155	RK 220 1/6W J
R342	4050110355	RK 10K 1/6W J
R343	4050122155	RK 220 1/6W J
R344	4050110355	RK 10K 1/6W J
R345	4050122155	RK 220 1/6W J
R346	4050110355	RK 10K 1/6W J
R347	4050122155	RK 220 1/6W J
R348	4050110355	RK 10K 1/6W J
R349	4050122155	RK 220 1/6W J
R350	4050110355	RK 10K 1/6W J
R351	4050122155	RK 220 1/6W J

Schematic Ref. No.	Part No.	Description
S-GND	5116104550	CM .1u 50V J
JK304	4500800473	6P RCA Jack
		RJ-1074-25-0300A
CN008-	4490301004	PH 3P Top Base
CN902-	4490601004	PH 6P Top Base

### L/R Amp. P.C.B. Ass'y

Schematic Ref. No.	Part No.	Description
	C142267810	L/R Amp. P.C.B. Ass'y
	4142267810	L/R Amp. P.C.B.
Q301L,R	4105222402	TR 2SC2240BL
Q302L,R	4105222402	TR 2SC2240BL
Q303L,R	4105222402	TR 2SC2240BL
Q304L,R	410501145Y,0	TR 2SA1145Y,0
Q305L,R	410522705Y,0	TR 2SC2705Y,0
Q313L,R	4105222402	TR 2SC2240BL
Q314L,R	4105009702	TR 2SA970BL
Q317	4105222402	TR 2SC2240BL
D301L,R	4121141480	Sid 1N4148
D302L,R	4121141480	Sid 1N4148
D303L,R	4121141480	Sid 1N4148
D305	4121141480	Sid 1N4148
L301L,R	4298822034	Audio Coil 0.8uH
VR301L,R	5226102177	Semi VR 1KX
R301L,R	4050110255	RK 1K 1/6W J
R302L,R	4050122455	RK 220K 1/6W J
R303L,R	4050112355	RK 12K 1/6W J
R304L,R	4050482155	RK 820 1/4W J
R305L,R	4050482155	RK 820 1/4W J
R306L,R	4050422055	RK 22 1/4W J
R307L,R	4050422055	RK 22 1/4W J
R308L,R	4050136155	RK 360 1/6W J

Schematic Ref. No.	Part No.	Description
R309L,R	4050422155	RK 220 1/4W J
R310L,R	4050447355	RK 47K 1/4W J
R311L,R	4050491055	RK 91 1/4W J
R312L,R	4050418355	RK 18K 1/4W J
R313L,R	4050410155	RK 100 1/4W J
R314L,R	4050420255	RK 2K 1/4W J
R315L,R	4050433155	RK 330 1/4W J
R316L,R	4270222155	RSS 220 1/2W J
R317L,R	4050315355	RK 15K 1/4W J
R318L,R	7195022852	RC 0.22x2 5W J
R319L,R	7195022852	RC 0.22x2 5W J
R321L,R	4050410355	RK 10K 1/4W J
R322L,R	4050482255	RK 8.2K 1/4W J
R323L,R	4050427455	RK 270K 1/4W J
R324L,R	4050418355	RK 18K 1/4W J
R325L,R	4050410455	RK 100K 1/4W J
R329L,R	4050418455	RK 180K 1/4W J
R330L,R	4171033955	RSN 3.3 1W J
R331	4050410355	RK 10K 1/4W J
FR301-304	4180247057	Fuse Resistor 47 1/2W

C301L,R	5153479250	CE 4.7u 50V M
C302L,R	5116473511	CM 0.047u 100V J
C303L,R	5116102511	CM 0.001u 100V J
C304L,R	5153101216	CE 100u 16V M
C305L,R	5116473511	CM 0.047u 100V J
C306L,R	5128470552	CC 47P 50V J
C307L,R	5128100852	CC 10P 50V D
C308L,R	5113154563	CMEM 0.15u 63V J
C309L,R	5091101513	CPL 100p 100V J
C310L,R	5154101201	CE 100u 100V M
C311L,R	5154101201	CE 100u 100V M
C312L,R	5104104452	CC 0.1u 50V Z
C315	5153109250	CE 1u 50V M
CN300L,R	4494000297	40P Pin Header
CN302	4490700210	FTW 7P Top Base
CN303	4491000210	FTW 10P Top Base
CN304	4490900268	Wire Holder 9P25
CN308	4490301004	PH 3P Top Base

### 3 Amp. P.C.B. Ass'y

Schematic Ref. No.	Part No.	Description
	C142267820	3 Amp. P.C.B. Ass'y
	4142267820	3 Amp. P.C.B.
Q301C	4105222402	TR 2SC2240BL
Q302C	4105222402	TR 2SC2240BL
Q303C	4105222402	TR 2SC2240BL
Q304C	410501145Y,0	TR 2SA1145Y,0
Q305C	410522705Y,0	TR 2SC2705Y,0
Q313C	4105222402	TR 2SC2240BL
Q314C	4105009702	TR 2SA970BL
Q318	410520945P,Q	TR 2SC945P,Q
Q319	410500934R	TR 2SA934R
Q351L,R	4105222402	TR 2SC2240BL
Q352L,R	4105222402	TR 2SC2240BL
Q353L,R	4105222402	TR 2SC2240BL
Q354L,R	410501145Y,0	TR 2SA1145Y,0
Q355L,R	410522705Y,0	TR 2SC2705Y,0
Q363L,R	4105222402	TR 2SC2240BL
Q364L,R	4105009702	TR 2SA970BL
D301C	4121141480	Sid 1N4148
D302C	4121141480	Sid 1N4148
D303C	4121141480	Sid 1N4148
D305C	4121141480	Sid 1N4148
D306	4121141480	Sid 1N4148
D351L,R	4121141480	Sid 1N4148
D352L,R	4121141480	Sid 1N4148
D353L,R	4121141480	Sid 1N4148
D355	4121141480	Sid 1N4148

Schematic Ref. No.
L301C
L351L,R
VR301C
VR351L,R
FR301C
FR302C
FR351-354

R301C
R302C
R303C
R304C
R305C
R306C,307C
R308C
R309C
R310C
R311C
R312C
R313C
R314C
R315C
R316C
R317C
R319C
R321C
R322C
R323C
R324C
R325C
R329C
R330C
R332
R333
R334
R351L,R
R352L,R
R353L,R
R354L,R
R355L,R
R356L,R
R357L,R
R358L,R
R359L
R359R
R360L,R
R361L,R
R362L,R
R363L
R363R
R364L,R
R365L,R
R366L,R
R367L,R
R368L,R
R370L,R
R372L,R
R373L,R
R374L,R
R375L,R
R379L,R
R380L,R

C301C
C302C
C303C
C304C
C305C
C306C
C307C
C308C
C309C
C310C,311C

Part No.	Description
4298822034	Audio Coil 0.8uH
4298822034	Audio Coil 0.8uH
5226102177	Semi VR 1KX
5226102177	Semi VR 1KX
4180247057	Fuse Resistor 47 1/2W
4180247057	Fuse Resistor 47 1/2W
4180247057	Fuse Resistor 47 1/2W

4050110255	RK 1K 1/6W J
4050122455	RK 220K 1/6W J
4050112355	RK 12K 1/6W J
4050482155	RK 820 1/4W J
4050482155	RK 820 1/4W J
4050422055	RK 22 1/4W J
4050136155	RK 360 1/6W J
4050422155	RK 220 1/4W J
4050447355	RK 47K 1/4W J
4050491055	RK 91 1/4W J
4050418355	RK 18K 1/4W J
4050410155	RK 100 1/4W J
4050420255	RK 2K 1/4W J
4050433155	RK 330 1/4W J
4270222155	RSS 220 1/2W J
4050415355	RK 15K 1/4W J
7195022852	RC 0.22x2 5W J
4050410355	RK 10K 1/4W J
4050443255	RK 4.3K 1/4W J
4050418455	RK 180K 1/4W J
4050418355	RK 18K 1/4W J
4050410455	RK 100K 1/4W J
4050418455	RK 180K 1/4W J
4171033955	RSN 3.3 1W J
4050447255	RK 4.7K 1/4W J
4050147255	RK 4.7K 1/6W J
4270218055	RSS 18 1/2W J
4050110255	RK 1K 1/6W J
4050122455	RK 220K 1/6W J
4050112355	RK 12K 1/6W J
4050482155	RK 820 1/4W J
4050482155	RK 820 1/4W J
4050122055	RK 22 1/6W J
4050122055	RK 22 1/6W J
4050136155	RK 360 1/6W J
4050122155	RK 220 1/6W J
4050422155	RK 220 1/4W J
4050447355	RK 47K 1/4W J
4050491055	RK 91 1/4W J
4050118355	RK 18K 1/6W J
4050110155	RK 100 1/6W J
4050410155	RK 100 1/4W J
4050420255	RK 2K 1/4W J
4050433155	RK 330 1/4W J
4270222155	RSS 220 1/2W J
4050415355	RK 15K 1/4W J
7195022852	RC 0.22x2 5W J
4050410355	RK 10K 1/4W J
4050443255	RK 4.3K 1/4W J
4050418455	RK 180K 1/4W J
4050418355	RK 18K 1/4W J
4050410455	RK 100K 1/4W J
4050418455	RK 180K 1/4W J
4171033955	RSN 3.3 1W J

5153479250	CE 4.7u 50V M
5116473511	CM 0.047u 100V J
5116102511	CM 0.001u 100V J
5153101216	CE 100u 16V M
5116473511	CM 0.047u 100V J
5128470552	CC 47P 50V J
5128100852	CC 10P 50V D
5113154563	CMEM 0.15u 63V J
5091101513	CPL 100p 100V J
5154101201	CE 100u 100V M

## Schematic

Ref. No.	Part No.	Description
C312C	5104104452	CC 0.1u 50V Z
C313	5153100250	CE 10u 50V M
C314	5153471216	CE 470u 16V M
C351L,R	5153479250	CE 4.7u 50V M
C352L,R	5116473511	CM 0.047u 100V J
C353L,R	5116102511	CM 0.001u 100V J
C354L,R	5153101216	CE 100u 16V M
C355L,R	5116473511	CM 0.047u 100V J
C356L,R	5128470552	CC 47P 50V J
C357L,R	5128100852	CC 10P 50V D
C358L,R	5113154563	CMEM 0.15u 63V J
C359L,R	5091101513	CPL 100p 100V J
C360L,R	5154101201	CE 100u 100V M
C361L,R	5154101201	CE 100u 100V M
C362L,R	5104104452	CC 0.1u 50V Z
CN300C	4494000297	40P Pin Header
CN301	4490700270	FTW 7P Top Base
CN304-	4490900268	Wire Holder 9P25
CN305	4490201004	PH 2P Top Base
CN307	4490500210	FTW 5P Top Base
CN350L,R	4494000297	40P Pin Header

## Main P.C.B. Ass'y

Schematic  
Ref. No.

Part No.	Description
C147269710	Main P.C.B. Ass'y (For UL)
C147269713	Main P.C.B. Ass'y (For DU)
4147269710	Main P.C.B.
U401	1C UPC1237HA
U402	1C UPC78L05J
U506	1C LC78213
U510-521	1C UPC4570C
U523,524	1C UPC4570C
U525	1C LC7821
U526	1C LC78213
U530	1C LC7821
U550	1C UPC4570C
U555	1C UPC4570C
U800	1C LA7951
Q401	TR 2SC945P,Q
Q404	TR 2SD1667
Q405	TR 2SB1134
Q406-412	TR 2SC945P,Q
Q413	TR 2SA733P,Q
Q415	TR 2SD1761E (For DU)
Q416	TR 2SC945P,Q
Q417	TR 2SA9530 (For UL)
Q418	TR 2SC945P,Q
Q508,509	TR 2SC945P,Q
Q580	TR 2SC2878A
Q803	TR 2SD1761E
Q810,811	TR 2SC945P,Q
D10	RD 2W02G
D401,402	RD GBU8D
D403	RD GBU6D
D404	RD 2W02G
ZD405	ZD MTZJ12B
D406,407	Sid 1SS133
ZD409,410	ZD MTZJ15B
ZD411	ZD MTZJ12B (For DU)
D412-419	Sid 1SS133
D420,421	Sid 1N4002L
ZD423	ZD MTZJ11B
D424	Sid 1SS133
D426,432	Sid 1SS133
D530	Sid 1SS133
D540	Sid 1SS133
D570,571	Sid 1SS133

## Schematic

Ref. No.	Part No.	Description
ZD801	41215J120B	ZD MTZJ12B
D802	413022W02G	RD 2W02G
PJ800,801	4500800446	9P RCA Jack
PJ803	4500800432	1P RCA Jack
JK401	4560008113	8P SP. Jack
JK402	4560006115	6P SP. Jack
JK403	4570101460	AC Outlet CCT1304-0211
JK506	4500100448	REM Jack 3.5mm
RY401,402	4390000067	Relay SDT-SS-112DM
RY403-406	4395555564	Relay OSA-SS-212DM5
RY407	4390000066	Relay OSZ-SH-112DM8
T401	420D351132	Power Transformer EI-35 (For UL)
THR1	420D419181	Power Transformer EI-41x23 (For DU)
R10	7138801010	Thermistor 50KD-5
R401,402	4180247857	Fuse Resistor 0.47 1/2W
R403-405	4050110355	RK 10K 1/6W J
R406-408	4271010955	RSS 1 1W J
R409	4050147155	RK 470 1/6W J
R410	4271010055	RSS 10 1W J (For DU)
R411,412	4271010255	RSS 1K 1W J (For DU)
R413	4050147255	RK 4.7K 1/6W J
R415	4050147355	RK 47K 1/6W J
R416	4050110255	RK 1K 1/6W J
R417	4050110455	RK 100K 1/6W J
R418	4050147355	RK 47K 1/6W J
R419	4050110155	RK 100 1/6W J
R420	4050110255	RK 1K 1/6W J
R421,422	4050110355	RK 10K 1/6W J
R423	4050147255	RK 4.7K 1/6W J
R424,426	4050110355	RK 10K 1/6W J
R427	4050147255	RK 4.7K 1/6W J
R428	4050110355	RK 10K 1/6W J
R429C	405024755T	RK 4.7M 1/2W J (For UL)
R429L,R	4272010055	RSS 10 2W J
R430L,R	4272010055	RSS 10 2W J
R431-434	4270222355	RSS 22K 1/2W J
R435	4050191255	RK 9.1K 1/6W J
R436	4050147355	RK 47K 1/6W J
R438	4050147255	RK 4.7K 1/6W J
R439,440	4050110355	RK 10K 1/6W J
R441	4271010055	RSS 10 1W J
R457	4170439155	RSN 390 1/4W J (For UL)
R505L,R	4270215255	RSS 1.5K 1/2W J (For DU)
R506L,R	4050110255	RK 1K 1/6W J
R507L,R	4050110455	RK 100K 1/6W J
R508L,R	4050110255	RK 1K 1/6W J
R509L,R	4050110455	RK 100K 1/6W J
R510L,R	4050110255	RK 1K 1/6W J
R511L,R	4050110455	RK 100K 1/6W J
R512L,R	4050110255	RK 1K 1/6W J
R517L,R	4050110455	RK 100K 1/6W J
R518L,R	4050110255	RK 1K 1/6W J
R519L,R	4050110455	RK 100K 1/6W J
R520L,R	4050110255	RK 1K 1/6W J
R530-532	4050110455	RK 100K 1/6W J
R533	4050122255	RK 2.2K 1/6W J
R534	4050110355	RK 10K 1/6W J
R535,536	4050422155	RK 220 1/4W J
R537	4050110355	RK 10K 1/6W J
R540-542	4050422155	RK 220 1/4W J
R543	4050122255	RK 2.2K 1/6W J
R544	4050110355	RK 10K 1/6W J
R545,546	4050422155	RK 220 1/4W J
R547	4050110355	RK 10K 1/6W J
R550L,R	4050422155	RK 220 1/4W J
R551L,R	4050110255	RK 1K 1/6W J
R552L,R	4050110455	RK 100K 1/6W J
R553L,R	4050182255	RK 8.2K 1/6W J
	4050147255	RK 4.7K 1/6W J

## Schematic

Ref. No.	Part No.	Description
R555L,R	4050110255	RK 1K 1/6W J
R556L,R	4050110455	RK 100K 1/6W J
R560L,R	4050168255	RK 6.8K 1/6W J
R561L,R	4050168255	RK 6.8K 1/6W J
R563L,R	4050168155	RK 680 1/6W J
R560L,R	4050168155	RK 680 1/6W J
R564L,R	4050147255	RK 4.7K 1/6W J
R565L,R	4070106043	RN 60.4K 1/6W J 1%
R566L,R	4070103013	RN 30.1K 1/6W J 1%
R567L	4050147255	RK 4.7K 1/6W J
R567R	4050447255	RK 4.7K 1/4W J
R568L,R	4050147255	RK 4.7K 1/6W J
R569L,R	4050147255	RK 4.7K 1/6W J
R570	4050168255	RK 6.8K 1/6W J
R571-573	4050147255	RK 4.7K 1/6W J
R574	4070106043	RN 60.4K 1/6W J 1%
R575	4070103013	RN 30.1K 1/6W K 1%
R576,577	4050147255	RK 4.7K 1/6W J
R580	4050122455	RK 220K 1/6W J
R583	4050122355	RK 22K 1/6W J
R585	4050110155	RK 100 1/6W J
R586	4050122055	RK 22 1/6W J
R590	4050110355	RK 10K 1/6W J
R591	4050162255	RK 6.2K 1/6W J
R592	4050113355	RK 13K 1/6W J
R593	4050110355	RK 10K 1/6W J
R594	4050182455	RK 820K 1/6W J
R595L,R	4050456255	RK 5.6K 1/4W J
R596L,R	4050156255	RK 5.6K 1/6W J
R597L,R	4070104123	RN 41.2K 1/6W J 1%
R598L,R	4070104123	RN 41.2K 1/6W J 1%
R599L,R	4050147255	RK 4.7K 1/6W J
R600L,R	4050147255	RK 4.7K 1/6W J
R601L,R	4050191255	RK 9.1K 1/6W J
R602L,R	4050110355	RK 10K 1/6W J
R603L,R	4050110355	RK 10K 1/6W J
R604L,R	4050156255	RK 5.6K 1/6W J
R605	4050147255	RK 4.7K 1/6W J
R605L,R	4050147255	RK 4.7K 1/6W J
R610L,R	4050168255	RK 6.8K 1/6W J
R611L,R	4050147255	RK 4.7K 1/6W J
R612L,R	4050147255	RK 4.7K 1/6W J
R613L,R	4050147255	RK 4.7K 1/6W J
R614L,R	4070106043	RN 60.4K 1/6W J 1%
R615L,R	4070103013	RN 30.1K 1/6W J 1%
R616L,R	4050147255	RK 4.7K 1/6W J
R617L,R	4050147255	RK 4.7K 1/6W J
R620,621	4271010055	RSS 10 1W J
R630-632	4050122255	RK 2.2K 1/6W J
R633	4050422155	RK 220 1/4W J
R634,635	4050110355	RK 10K 1/6W J
R636	4050422155	RK 220 1/4W J
R637	4050110355	RK 10K 1/6W J
R640-642	4050122255	RK 2.2K 1/6W J
R643	4050422155	RK 220 1/4W J
R644,645	4050110355	RK 10K 1/6W J
R646	4050422155	RK 220 1/4W J
R647	4050110355	RK 10K 1/6W J
R651-654	4050122255	RK 2.2K 1/6W J
R655	4050110255	RK 1K 1/6W J
R700	4050110255	RK 1K 1/6W J
R701	4050110055	RK 10 1/6W J
R810-813	4050175055	RK 75 1/6W J
R814	4050168055	RK 68 1/6W J
R815	4050110355	RK 10K 1/6W J
R816	4050115155	RK 150 1/6W J
FR816	4180210957	Fuse R. 1 1/2W (For UL)
	4180410957	Fuse R. 1 1/4W (For DU)
R817	4050112255	RK 1.2K 1/6W J
R818	4050168055	RK 68 1/6W J
R819	4050110355	RK 10K 1/6W J
R820	4050115155	RK 150 1/6W J
R821	4050112255	RK 1.2K 1/6W J
R822	4050468055	RK 68 1/4W J

## Schematic

Ref. No.	Part No.	Description
R823	4050110355	RK 10K 1/6W J
R824-826	4050110255	RK 1K 1/6W J
R882	4050468055	RK 68 1/4W J
C10	5154102225	CE 1000u 25V M
C12,13	7308622345	CML .022u 25V Z
C14	5153471210	CE 470u 10V M
C15,16	5116103511	CM .01u 100V J
C401,402	5155103280	CE 10000u 80V (TSW) M
C403,404	5155472280	CE 4700u 80V (TSW) M
C405-412	5116103511	CM .01u 100V J
C413-415	5154102225	CE 1000u 25V M
C416	5153471225	CE 470u 25V M
C417,418	5116103511	CM .01u 100V J
C419,420	7308622345	CML .022u 25V Z
C421,422	5153471216	CE 470u 16V M
C423	5153101216	CE 100u 16V M
C425	5153101216	CE 100u 16V M
C427-433	7308622345	CML .022u 25V Z
C434,435	7308622345	CML .022u 25V Z (For DU)
C436	7308622345	CML .022u 25V Z
C437	5100472243	CC .0047u AC400V Spark "K" Z
C438	7308622345	CML .022u 25V Z (For DU)
C439	7307110315	CML .01u 16V K
C440	7308622345	CML .022u 25V Z
C441	5153470225	CE 47u 25V M
C442	5153101216	CE 100u 16V M
C443	5153229250	CE 2.2u 50V M
C445C	5116104511	CM .1u 100V J
C445L,R	5116104511	CM .1u 100V J
C447L,R	5116104511	CM .1u 100V J
C449	5153101216	CE 100u 16V M (For DU)
C450,451	5153101216	CE 100u 16V M
C452	5153470250	CE 47u 50V M (For DU)
C463-466	5116104511	CM .1u 100V J
C488	5153101216	CE 100u 16V M (For DU)
C515,516	7308622345	CML .022u 25V Z
C520L,R	5116122550	CM .0012u 50V J
C521L,R	5116122550	CM .0012u 50V J
C530,531	5153101225	CE 100u 25V M
C532,533	7306610445	CML .1u 50V Z
C534	5153100250	CE 10u 50V M
C540,541	5153101225	CE 100u 25V M
C542,543	7306610445	CML .1u 50V Z
C544	5153100250	CE 10u 50V M
C555L,R	5153479250	CE 4.7u 50V M
C557,VIDEO GND	5116104550	CM .1u 50V J
C560L,R	5153470216	CE 47u 16V M
C561L,R	5116473550	CM .047u 50V J
C562L,R	5116473550	CM .047u 50V J
C563L,R	5153220216	CE 22u 16V M
C565	5153470216	CE 47u 16V M
C566,567	5116473550	CM .047u 50V J
C568	5153220216	CE 22u 16V M
C570,571	5153101225	CE 100u 25V M
C572,573	7306610445	CML .1u 50V Z
C574	5153100250	CE 10u 50V M
C575,576	5153101225	CE 100u 25V M
C577,578	7306610445	CML .1u 50V Z
C579	5153100250	CE 10u 50V M
C580	5153470216	CE 47u 16V M
C581L,R	5116333550	CM .033u 50V J
C583L,R	5116683550	CM .068u 50V J
C584	5153220216	CE 22u 16V M
C585L,R	5153470216	CE 47u 16V M
C586L,R	5116473550	CM .047u 50V J
C587L,R	5116473550	CM .047u 50V J
C588L,R	5153220216	CE 22u 16V M
C590,591	5153471216	CE 470u 16V M
C592,593	5116223550	CM .022u 50V M
C594,595	5116104550	CM .1u 50V J
C700	5153101216	CE 100u 16V M

## Schematic

Ref. No.	Part No.	Description
C701	5154102225	CE 1000u 25V M
C702	5153221216	CE 220u 16V M
C703,704	7308622345	CML .022u 25V Z
C800	5153470225	CE 47u 25V M
C801	7306610445	CML .1u 50V Z
C802	5153100250	CE 10u 50V M
C803-805	7306510215	CML .001u 50V K
C806,807	5153471210	CE 470u 10V M
C816	5153471210	CE 470u 10V M
C820-823	5153479250	CE 4.7u 50V M
J190-J191	7306610445	CML .1u 50V Z (T. Up)
CN12	4490200270	FTW 2P Top Base
CN13	4490300261	Wire Holder 3P20
CN005	4490700261	Wire Holder 7P20
CN015	4490600261	Wire Holder 6P20
CN302	4490700268	Wire Holder 7P25
CN502	4491000270	FTW 10P Top Base
CN506	4490900270	FTW 9P Top Base
CN508	4490900270	FTW 9P Top Base
CN513	4492000263	FFC 20P Top Base
CN514	4490200261	Wire Holder 2P20
CN515	4490200270	FTW 2P Top Base
CP13	4490300261	Wire Holder 3P20
CP002	4492800263	FFC 28P Top Base
CP006	4490301004	PH 3P Top Base
CP10, Q403	4490300270	FTW 3P Top Base
CP103	4491100316	11P Header IMSA-9115B-11
CP303	4491000268	Wire Holder 10P25
CP307	4490500268	Wire Holder 5P25
CP901	4490500261	Wire Holder 5P20
PP1-4	2000000478	Terminal Pin "K"
AC1,2	2000000843	Terminal Pin "L"
PT401-404	4692000034	Fuse Holder PFC5000-0202TR

## Digital P.C.B. Ass'y

Schematic  
Ref. No.

Ref. No.	Part No.	Description
	C142268800	Digital P.C.B. Ass'y
	4142268800	Digital P.C.B.
U801	415374U046	IC TC74HCU04AF
U802	4153741536	IC TC74HCT153AF
U803	415Y03436D	IC YM3436D
U804	4159053350	IC CS5335
U805	4159049260	IC CS4926
U806,807	415902100M	IC NJM2100M-T1
U808,809	415374574F	IC TC74VHC574F
U810	415902702A	IC AT27LV020A
U811	415Q020050	IC QL2005
U812	4159062057	IC V62C518256
U814	4159043290	IC CS4329
U815	4151045707	IC UPC4570G2
U816	4159043290	IC CS4329
U817	4151045707	IC UPC4570G2
U818	4159043290	IC CS4329
U819	4151045707	IC UPC4570G2
U820	415902VZ11	IC PQ20VZ11
U821	4153747007	IC TC74HCT7007F
U822	415374V04F	IC TC74VHCU04F
U823,824	415374V32F	IC TC74VHC32F
U825	415374V04F	IC TC74VHCU04F
U827	415374V74F	IC TC74VHC74F
Q801,802	SA500314TK *	TR DTC314TK *
Q803	SA40114EKA	TR DTA114EKA *
Q804,806	SA50114EKA	TR DTC114EKA *
X801	4100949152	Crystal 49.152MHz
PJ801	4500800472	2P RCA Jack YKC21-3044
RA801	408H10359A	R-Array 10KX8
CP801,802	714985A081	Photo-Receiver TORX178A
L801	4325A47091	Peaking coil 47uH
L802	4325A10091	Peaking Coil 10uH

## Schematic

Ref. No.	Part No.	Description
L804	4325047093	Peaking Coil 47uH
L806	4325A47091	Peaking coil 47uH
L810	4325A47091	Peaking coil 47uH
R801	4050A7505D	RK 75 1/10W J *
R802	4050A4735D	RK 47K 1/10W J *
R803	4050A8215D	RK 820 1/10W J *
R804	4050A7505D	RK 75 1/10W J *
R805	4050A4735D	RK 47K 1/10W J *
R806	4050A8215D	RK 820 1/10W J *
R807	4050A6805D	RK 68 1/10W J *
R808	4050422955	RK 2.2 1/4W J
R811-813	4050A1035D	RK 10K 1/10W J *
R814,815	4050A4725D	RK 4.7K 1/10W *
R816-818	4050A1035D	RK 10K 1/10W J *
R819,820	4050A4725D	RK 4.7K 1/10W *
R821,822	4050A1035D	RK 10K 1/10W J *
R823,824	4050A1045D	RK 100K 1/10W J *
R825	4050A8245D	RK 820K 1/10W J *
R826-829	4050A1515D	RK 150 1/10W J *
R830	4050A4725D	RK 4.7K 1/10W *
R831	4050A1015D	RK 100 1/10W J *
R832	4050A3325D	RK 3.3K 1/10W J *
R833-836	4050A1035D	RK 10K 1/10W J *
R838	4050A1035D	RK 10K 1/10W J *
R845,846	4050A1335D	RK 13K 1/10W J *
R847	4050A3325D	RK 3.3K 1/10W J *
R848,849	4050A1335D	RK 13K 1/10W J *
R850	4050A3325D	RK 3.3K 1/10W J *
R851,852	4050A1335D	RK 13K 1/10W J *
R853	4050A3325D	RK 3.3K 1/10W J *
R854,855	4050A1335D	RK 13K 1/10W J *
TR856	4050A3325D	RK 3.3K 1/10W J *
R859,860	4050A1335D	RK 13K 1/10W J *
R861	4050A3325D	RK 3.3K 1/10W J *
R862,863	4050A1335D	RK 13K 1/10W J *
R864	4050A3325D	RK 3.3K 1/10W J *
R865,866	4050A1335D	RK 13K 1/10W J *
R867	4050A3325D	RK 3.3K 1/10W J *
R868,869	4050A1335D	RK 13K 1/10W J *
R870	4050A3325D	RK 3.3K 1/10W J *
R871,872	4050110255	RK 1K 1/6W J
R873,874	4050A1335D	RK 13K 1/10W J *
R875	4050A3325D	RK 3.3K 1/10W J *
R876,877	4050A1335D	RK 13K 1/10W J *
R878	4050A3325D	RK 3.3K 1/10W J *
R879,880	4050A1335D	RK 13K 1/10W J *
R881	4050A3325D	RK 3.3K 1/10W J *
R882,883	4050A1335D	RK 13K 1/10W J *
R884	4050A3325D	RK 3.3K 1/10W J *
R885	4050A1625D	RK 1.6K 1/10W J *
R886	4050A1025D	RK 1K 1/10W J *
R887,888	4050A2215D	RK 220 1/10W J *
R889-894	4050A1035D	RK 10K 1/10W J *
R895	4050A6805D	RK 68 1/10W J *
R896-899	4050A1035D	RK 10K 1/10W J *
C550	510410442D	CC .1u 25V *
C551	5153100216	CE 10u 16V M
C552	5153101210	CE 100u 10V M
C553-557	510410442D	CC .1u 25V *
C558	5153100216	CE 10u 16V M
C559-561	510410442D	CC .1u 25V *
C865	7306610445	CML .1u 50V Z
C801	510410442D	CC .1u 25V *
C802	5153100216	CE 10u 16V M
C803,804	5096104582	CPL .1u 50V J
C805,806	510410442D	CC .1u 25V *
C808,809	510410442D	CC .1u 25V *
C810	5153100216	CE 10u 16V M
C811	510410442D	CC .1u 25V *
C812	5153101210	CE 100u 10V M
C813	510410442D	CC .1u 25V *

## Schematic

Ref. No.	Part No.	Description
C814	5116472550	CM .0047u 50V J
C815,816	510410442D	CC .1u 25V *
C817	5153100216	CE 10u 16V M
C818	510410442D	CC .1u 25V *
C819	5153100216	CE 10u 16V M
C820	510410442D	CC .1u 25V *
C821,822	5153100216	CE 10u 16V M
C823	510410442D	CC .1u 25V *
C824	510122215D	CC .0022u 50V *
C825	5153101210	CE 100u 10V M
C827	5153100216	CE 10u 16V M
C828	510410442D	CC .1u 25V *
C829	510122215D	CC .0022u 50V *
C830-832	510410442D	CC .1u 25V *
C833	5096104582	CPL .1u 50V J
C834	5157100216	CE 10u 16V M (LN)
C835	5096104582	CPL .1u 50V J
C836	5157100216	CE 10u 16V M (LN)
C837	5096104582	CPL .1u 50V J
C838	5157100216	CE 10u 16V M (LN)
C840	5116102550	CM .001u 50V J
C841	5116221M50	CM 220p 50V J
C842	5096104582	CPL .1u 50V J
C843	5116102550	CM .001u 50V J
C844	5116221M50	CM 220p 50V J
C845	5096104582	CPL .1u 50V J
C846	5157100216	CE 10u 16V M (LN)
C847	5096104582	CPL .1u 50V J
C848	5157100216	CE 10u 16V M (LN)
C849	5096104582	CPL .1u 50V J
C850	5157100216	CE 10u 16V M (LN)
C852	5116102550	CM .001u 50V J
C853	5116221M50	CM 220p 50V J
C854	5096104582	CPL .1u 50V J
C855	5116102550	CM .001u 50V J
C856	5116221M50	CM 220p 50V J
C857	5116102550	CM .001u 50V J
C858	5116221M50	CM 220p 50V J
C859	5096104582	CPL .1u 50V J
C860	5116102550	CM .001u 50V J
C861	5116221M50	CM 220p 50V J
C865	7306610445	CML .1u 50V Z
C866	7306547115	CML 470p 50V K
C867	7306510115	CML 100p 50V K
C868	7306610445	CML .1u 50V Z
C869	5116102550	CM .001u 50V J
C870	5116221M50	CM 220p 50V J
C871	5096104582	CPL .1u 50V J
C872	5116102550	CM .001u 50V J
C877	5116221M50	CM 220p 50V J
C878	5116102550	CM .001u 50V J
C879	5116221M50	CM 220p 50V J
C880	5096104582	CPL .1u 50V J
C881	5116102550	CM .001u 50V J
C882	5116221M50	CM 220p 50V J
C883	510410442D	CC .1u 25V *
C884	510410442D	CC .1u 25V *
C885	5153101210	CE 100u 10V M
C886,887	5157101250	CE 100u 50V M (LN)
C888-892	510410442D	CC .1u 25V *
C893	510422442D	CC .22u 25V *
C895	5116102550	CM .001u 50V J
C896	5116221M50	CM 220p 50V J
C897	5096104582	CPL .1u 50V J
C898	5116102550	CM .001u 50V J
C899	5116221M50	CM 220p 50V J
CN-15-	4490600270	FTW 6P Top Base
CP-5-	4490700270	FTW 7P Top Base
CP-6-	4490301004	PH 3P Top Base
CN810	4491200263	FFC 12P Top Base
CN811	4491300263	FFC 13P Top Base
	4562030003	Egg Terminal Q3.0
	4573201760	IC Socket 32P PLCC (For U810)

## Variable Resistor P.B.C. Ass'y

Schematic Ref. No.	Part No.	Description
	C147269720	VR. P.C.B. Ass'y
	4147269720	VR. P.C.B.
U904	4152016410	IC LB1641
U940,941	415104570C	IC UPC4570C
U960	4152075350	IC LC7535
U961	415104570C	IC UPC4570C
U963	4152075350	IC LC7535
U964	415104570C	IC UPC4570C
U980,981	415104570C	IC UPC4570C
Q980L,R	410522878A	TR 2SC2878A
Q981,982	410522878A	TR 2SC2878A
Q983	410520945P,Q	TR 2SC945P,Q
Q984	410500733P,Q	TR 2SA733P,Q
Q985	410520945P,Q	TR 2SC945P,Q
Q986	410500733P,Q	TR 2SA733P,Q
Q987	410520945P,Q	TR 2SC945P,Q
Q988	410500733P,Q	TR 2SA733P,Q
ZD901	41215J056B	ZD MTZJ5.6B
ZD960,961	41215J056B	ZD MTZJ5.6B
D980	4121901330	Sid 1SS133
R933(-)-R939(+)	4121901330	Sid 1SS133
VR901	5025254308	Semi VR 50KB
R910-913	4050156255	RK 5.6K 1/6W J
R919,920	4050110355	RK 10K 1/6W J
R921	4050110455	RK 100K 1/6W J
R922-925	4050110355	RK 10K 1/6W J
R926	4050110455	RK 100K 1/6W J
R927-930	4050110355	RK 10K 1/6W J
R931	4050110455	RK 100K 1/6W J
R932,933	4050110355	RK 10K 1/6W J
R934-936	4050110155	RK 100 1/6W J
FR936	4180410057	Fuse Resistor 10 1/4W
R937,938	4050410155	RK 100 1/4W J
R939	4050110155	RK 100 1/6W J
R940L,R	4050122255	RK 2.2K 1/6W J
R941L,R	4050122255	RK 2.2K 1/6W J
R942L,R	4050151255	RK 5.1K 1/6W J
R943L,R	4050110455	RK 100K 1/6W J
R944L,R	4050410255	RK 1K 1/4W J
R945L,R	4050110455	RK 100K 1/6W J
R947,948	4050122255	RK 2.2K 1/6W J
R949	4050151255	RK 5.1K 1/6W J
R950	4050110455	RK 100K 1/6W J
R951	4050410255	RK 1K 1/4W J
R952	4050110455	RK 100K 1/6W J
R953,954	4050122255	RK 2.2K 1/6W J
R955	4050110455	RK 100K 1/6W J
R956	4050151255	RK 5.1K 1/6W J
R957	4050410255	RK 1K 1/4W J
R958	4050110455	RK 100K 1/6W J
R960L,R	4050168455	RK 680K 1/6W J
R961	4050122255	RK 2.2K 1/6W J
R962,963	4050422255	RK 2.2K 1/4W J
R964	4050122255	RK 2.2K 1/6W J
R965L,R	4050168455	RK 680K 1/6W J
R966-969	4050122255	RK 2.2K 1/6W J
R980L	4050122255	RK 2.2K 1/6W J
R980R	4050422255	RK 2.2K 1/4W J
R981L,R	4050110455	RK 100K 1/6W J
R982L,R	4050120255	RK 2K 1/6W J
R983L,R	4050112355	RK 12K 1/6W J
R984	4050422255	RK 2.2K 1/4W J
R985	4050110455	RK 100K 1/6W J
R986	4050120255	RK 2K 1/6W J
R987	4050112355	RK 12K 1/6W J
R988	4050122255	RK 2.2K 1/6W J
R989	4050110455	RK 100K 1/6W J

**Schematic**

Ref. No.	Part No.	Description
R900	4050147255	RK 4.7K 1/6W J
R990	4050120255	RK 2K 1/6W J
R991	4050112355	RK 12K 1/6W J
R992L,R	4050110255	RK 1K 1/6W J
R993L,R	4050110455	RK 100K 1/6W J
R994	4050110255	RK 1K 1/6W J
R994L,R	4050110355	RK 10K 1/6W J
R995	4050110455	RK 100K 1/6W J
R996	4050110355	RK 10K 1/6W J
R997	4050110255	RK 1K 1/6W J
R998	4050110455	RK 100K 1/6W J
R999	4050110355	RK 10K 1/6W J
C911	7306610445	CML .1u 50V Z
C912	5153470216	CE 47u 16V M
C913	7306610445	CML .1u 50V Z
C940L,R	5153479250	CE 4.7u 50V M
C941L,R	5091331513	CPL 330p 100V J
C942L,R	5153479250	CE 4.7u 50V M
C943	5153479250	CE 4.7u 50V M
C944	5091331513	CPL 330p 100V J
C945,946	5153479250	CE 4.7u 50V M
C947	5091331513	CPL 330p 100V J
C948	5153479250	CE 4.7u 50V M
C949,950	5153221225	CE 220u 25V M
C951,952	7308622345	CML .022u 25V Z
C960L,R	5165109250	CE 1u 50V M (NON)
C963L,R	5153479250	CE 4.7u 50V M
C964	5153470216	CE 47u 16V M
C965L,R	5153479250	CE 4.7u 50V M
C966	5165109250	CE 1u 50V M (NON)
C968	5153479250	CE 4.7u 50V M
C969	5153470216	CE 47u 16V M
C970	5153479250	CE 4.7u 50V M
C971	5165109250	CE 1u 50V M (NON)
C973,974	5153479250	CE 4.7u 50V M
C975,976	5153221225	CE 220u 25V M
C977,978	7308622345	CML .022u 25V Z
C980L,R	5091331513	CPL 330p 100V J
C981L,R	5091101513	CPL 100p 100V J
C982L,R	5153479250	CE 4.7u 50V M
C983	5091331513	CPL 330p 100V J
C984	5091101513	CPL 100p 100V J
C985	5153479250	CE 4.7u 50V M
C986	5091331513	CPL 330p 100V J
C987	5091101513	CPL 100p 100V J
C988	5153479250	CE 4.7u 50V M
C989,990	5153221225	CE 220u 25V M
C991,992	7308622345	CML .022u 25V Z
C993L,R	5153479250	CE 4.7u 50V M
C994,995	5153479250	CE 4.7u 50V M
CP301 Pin (-) - R923 (+)	5153221216	CE 220u 16V M
CP003	4490700270	FTW 7P Top Base
CP301	4490700261	Wire Holder 7P20
CP513	4492000263	FFC 20P Top Base
CN901	4490200261	Wire Holder 2P20

**Fuse P.C.B. Ass'y**

Schematic Ref. No.	Part No.	Description
	C147269740	Fuse P.C.B. Ass'y
	4147269740	Fuse P.C.B.
CN508-	4490900261	Wire Holder 9P20
CP12	4490200261	Wire Holder 2P20
	4692000034	Fuse Holder
		PFC5000-0202T (F402A/B,F403A/B)

**RCA Jack P.C.B. Ass'y**

Schematic Ref. No.	Part No.	Description
	C147269770	RCA Jack P.C.B. Ass'y
	4147269770	RCA Jack P.C.B.
PJ500	4500800444	8P RCA Jack
R501L,R	4050110255	RK 1K 1/6W J
R502L,R	4050110455	RK 100K 1/6W J
R503L,R	4050110255	RK 1K 1/6W J
R504L,R	4050110455	RK 100K 1/6W J
R513L,R	4050110255	RK 1K 1/6W J
R514L,R	4050110455	RK 100K 1/6W J
R515L,R	4050110255	RK 1K 1/6W J
R516L,R	4050110455	RK 100K 1/6W J
CP506	4490900261	Wire Holder 9P20

**Sensor P.C.B. Ass'y**

Schematic Ref. No.	Part No.	Description
	C043267920	Sensor P.C.B. Ass'y
	4143267920	Sensor P.C.B.
RM001	714SPS4471	Remote Receiver
CN001-	4494000314	SPS-447-1 40P Side Pin Header

**Headphone P.C.B. Ass'y**

Schematic Ref. No.	Part No.	Description
	C043267930	Headphone P.C.B. Ass'y
	4143267930	Headphone P.C.B.
JK001	4500700390	Headphone Jack
CN005-	4490300261	JY-6317-01-030G2 Wire Holder 3P20

**Transistor P.C.B. Ass'y**

Schematic Ref. No.	Part No.	Description
	C047269750	Transistor P.C.B. Ass'y
	4147269750	Transistor P.C.B.
U10	41597805FA	IC NJM7805FA
CN10	4490300261	Wire Holder 3P20

**Transistor Q403 P.C.B. Ass'y**

Schematic Ref. No.	Part No.	Description
	C047269780	Trans. Q403 P.C.B. Ass'y
	4147269780	Trans. Q403 P.C.B.
Q-DUMMY	410031761E	TR 2SD1761E
CN-DUMMY	4490300261	Wire Holder 3P20

**LED P.C.B. Ass'y**

Schematic Ref. No.	Part No.	Description
	C047269760	LED P.C.B. Ass'y
	4147269760	LED P.C.B.
D422	4120612543	LED 3Q EL1254SOT (ORG)
CN004-422	4050127155	RK 270 1/6W J (T. Up)