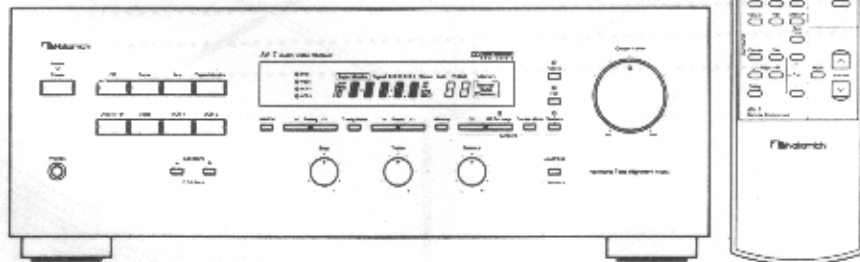


Service Manual

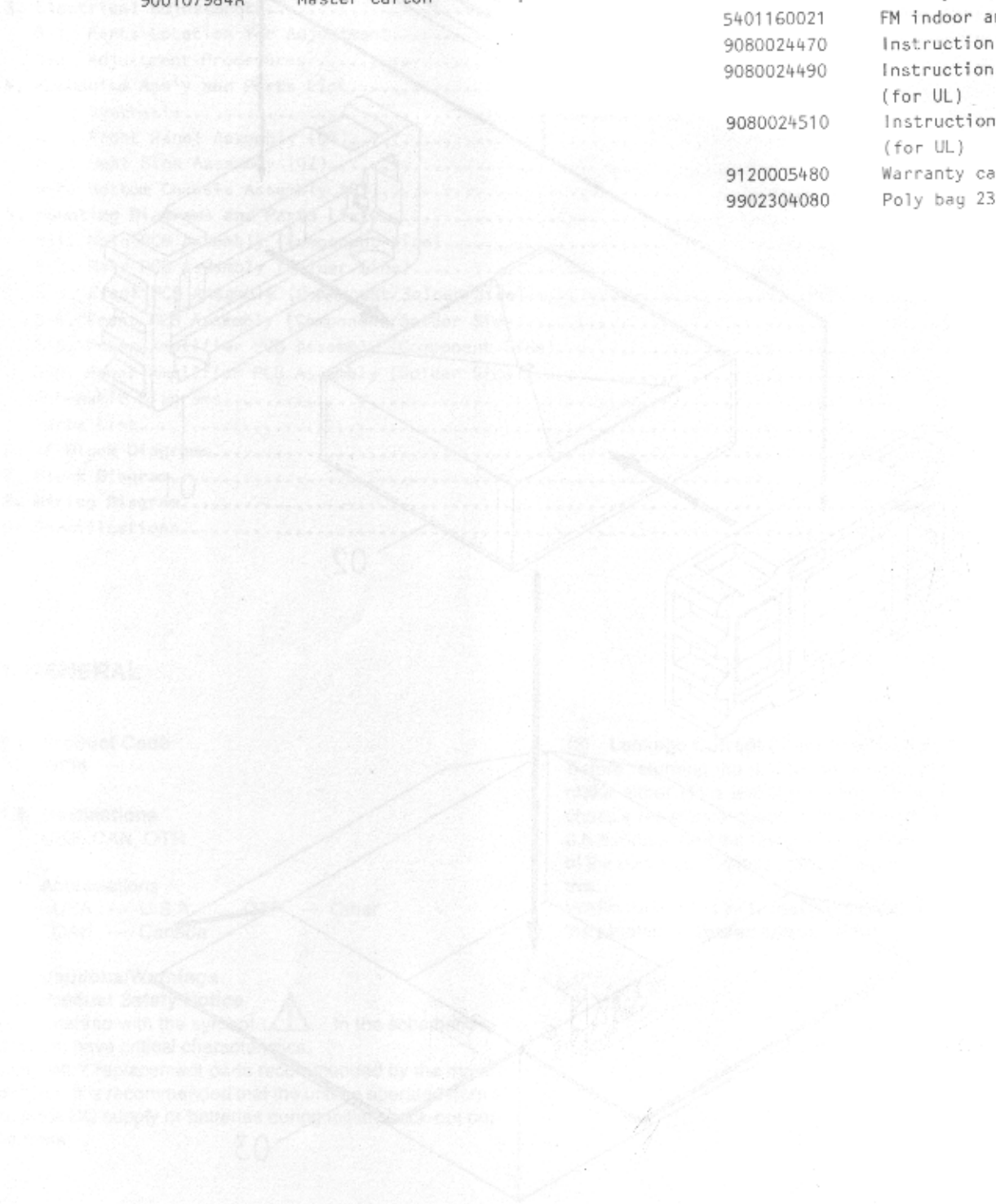
AV-7

Audio/Video Receiver



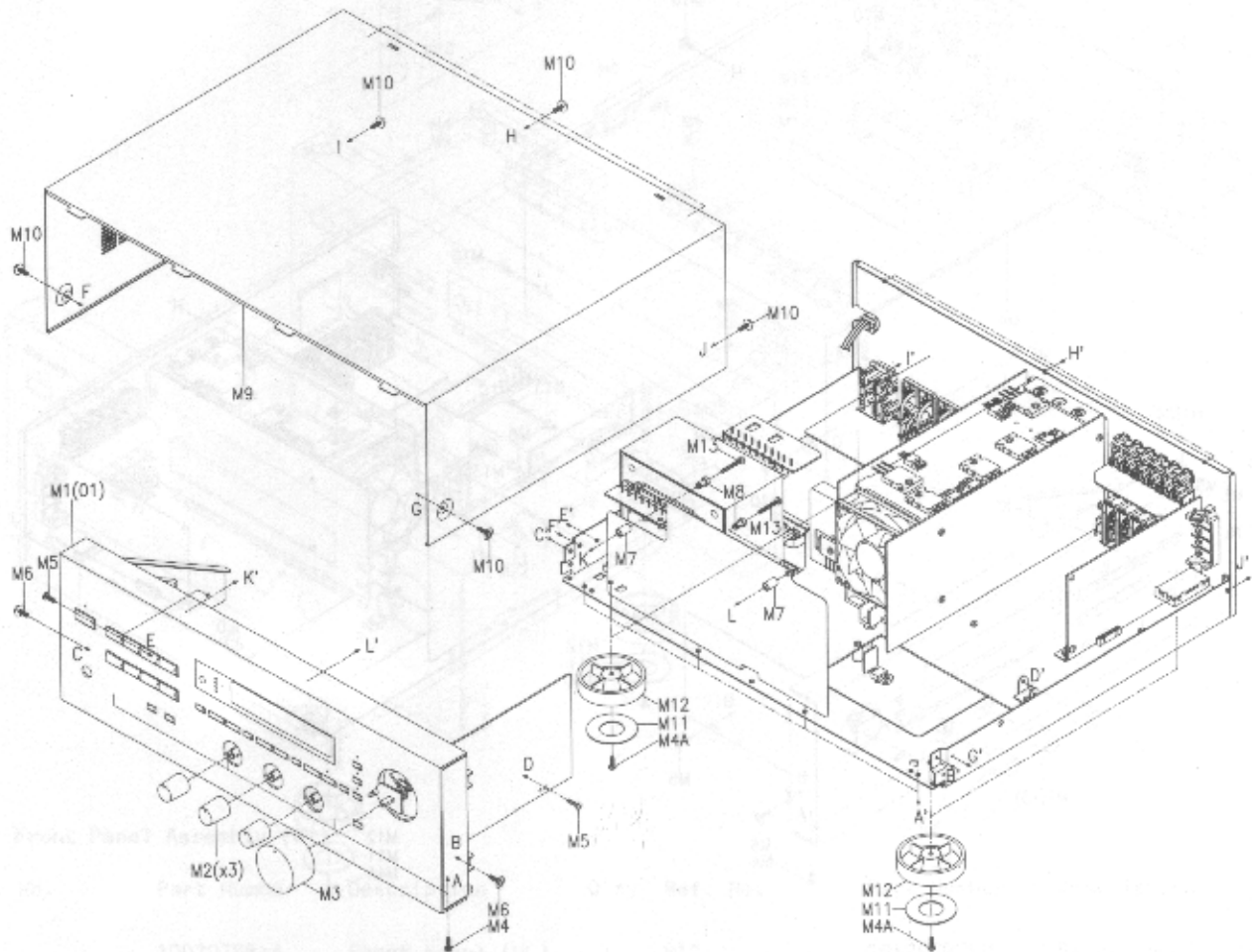
1-4. Packing Ass'y and Accessory Ass'y

Packing Ass'y				Accessory Ass'y			
Ref. No.	Part Number	Description	Q'ty	Ref. No.	Part Number	Description	Q'ty
01	900107975P	Snow box	2		RE64-D1	Remote trans. ass'y	1
02	900307975P	Soft sheet 700x1200	1		4300103380	AM loop antenna ass'y	1
03	900107984A	Master carton	1		4620320031	Battery R6P(N)/SUM-3N	2
					5401160021	FM indoor antenna	1
					9080024470	Instruction book (E)	1
					9080024490	Instruction book (F)	1
						(for UL)	
					9080024510	Instruction book (SP)	1
						(for UL)	
					9120005480	Warranty card (for UL)	1
					9902304080	Poly bag 23x40 (1/8)	1



4. MECHANISM ASS'Y AND PARTS LIST

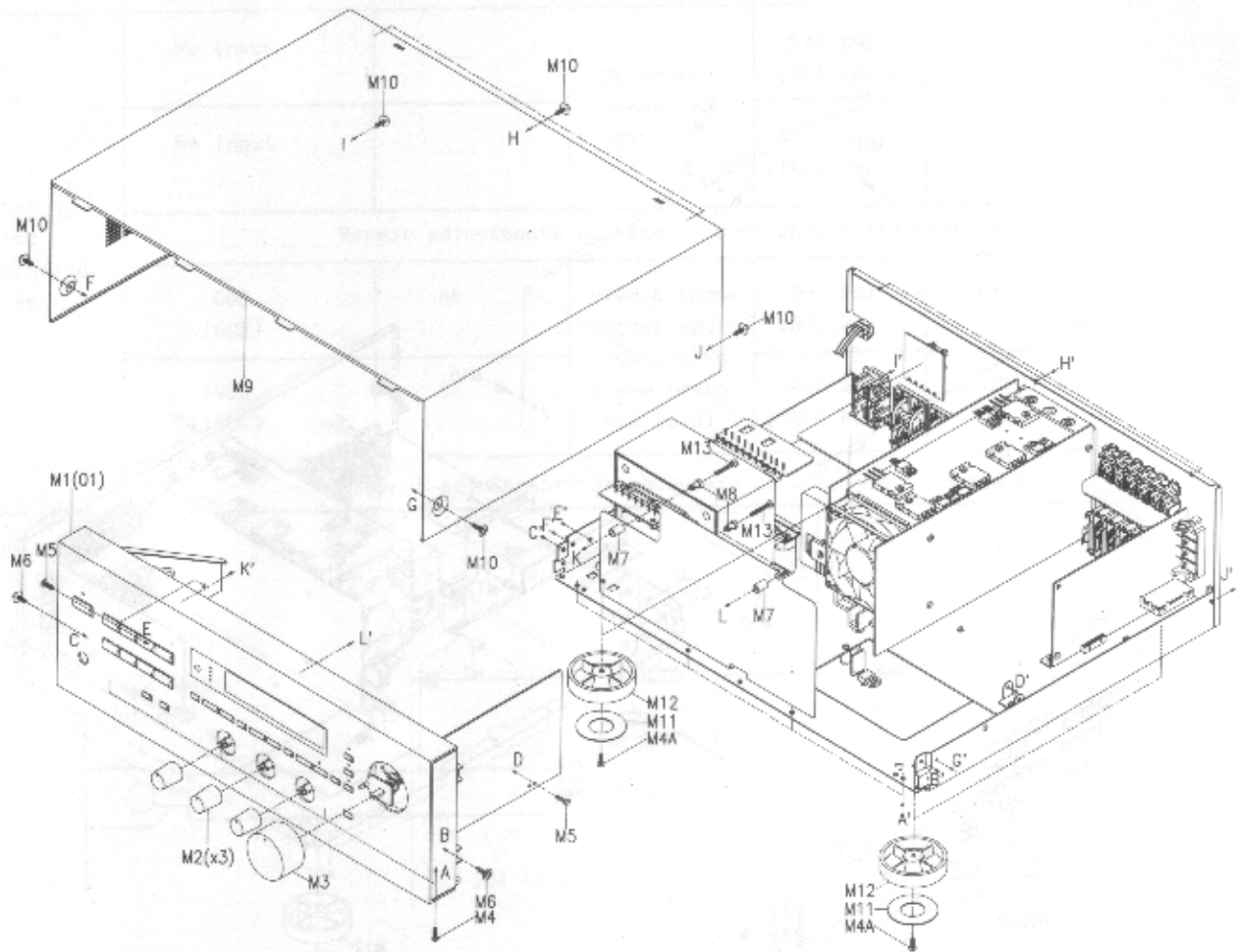
4-1. Synthesis -- for UL



4-1. Synthesis -- for UL

Ref. No.	Part Number	Description	Q'ty	Ref. No.	Part Number	Description	Q'ty
M1	B984A81001	Front panel assembly (01)	1	M7	201707975P	Spacer supports (RS-105)	2
M2	101007975A	Balance knob	3	M8	201607975P	Spacer supports (RS-1)	2
M3	000107975A	Volume knob	1	M9	101207975P	Top cover	1
M4	0E03936A	BT3x8 BIND+ BLK C	4	M10	8962300800	9 (Taptite-B)	7
M4A	8941300800	BID3008 ZN3A	4	M11	JS27593800	Foot sheet (20)	4
M5	8941300600	BID3006 ZN3A	3	M12	JS85047200	55 foot A	4
M6	8961300600	CUP3006 ZN3A	2	M13	8741302200	7 (Taptite-P)	2
		CUP3006 ZN3A				BID3022 ZN3A	

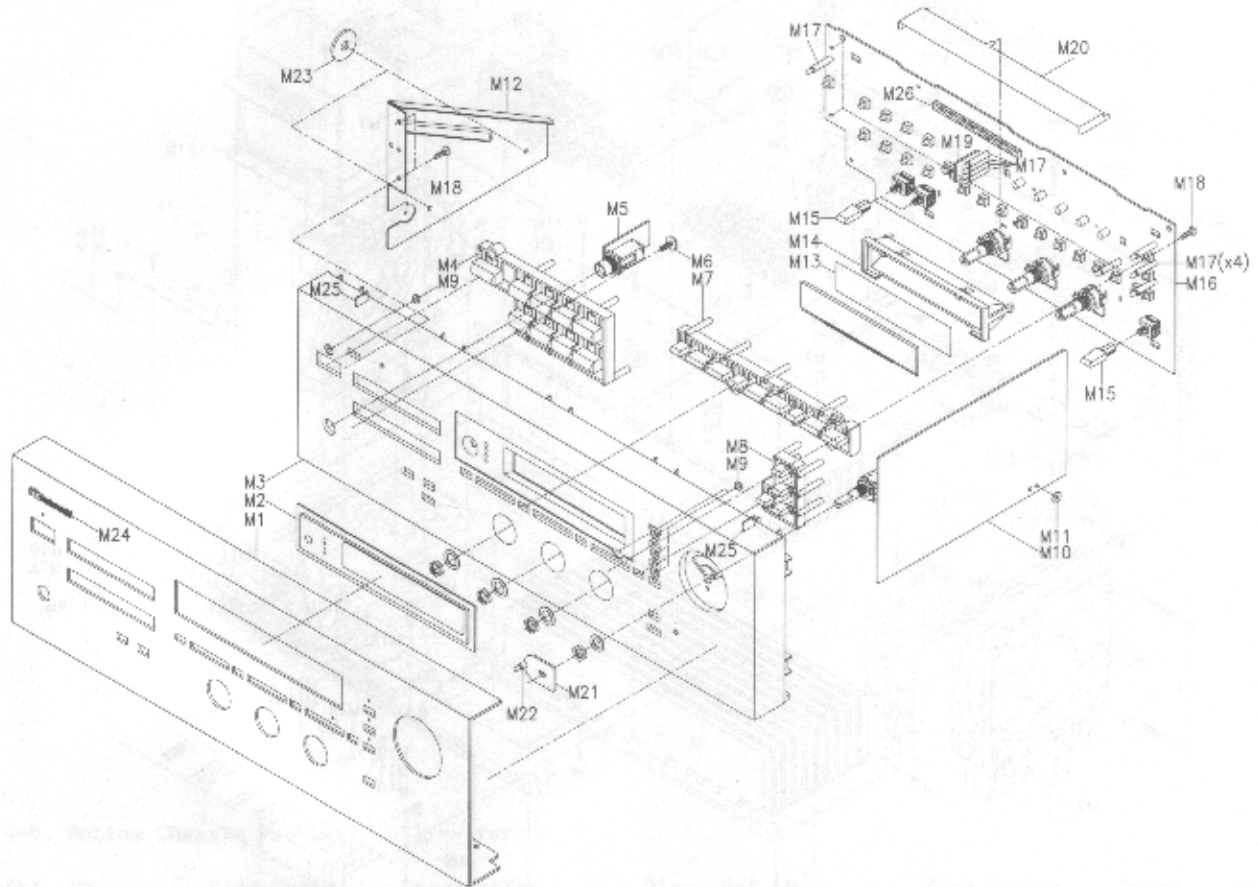
4-1. Synthesis -- for DU



4-1. Synthesis -- for DU

Ref. No.	Part Number	Description	Q'ty	Ref. No.	Part Number	Description	Q'ty
M1	B984A87001	Front panel assembly (01)	1	M7	201707975P	Spacer supports (RS-105)	2
M2	101207981A	Balance knob	3	M8	201607975P	Spacer supports (R5-1)	2
M3	000107981A	Volume knob assembly	1	M9	100807984A	Top cover	1
M4	0E03936A	BT3x8 BIND+ BLK C	4	M10	8962300800	9 (Taptite-B)	7
M4A	8941300800	BID3008 ZN3A	4	M11	JS27593800	Foot sheet (20)	4
M5	8941300600	BID3006 ZN3A	3	M12	JS85047200	55 foot A	4
M6	8961300600	CUP3006 ZN3A	2	M13	8741302200	7 (Taptite-P)	2
						BID3022 ZN3A	

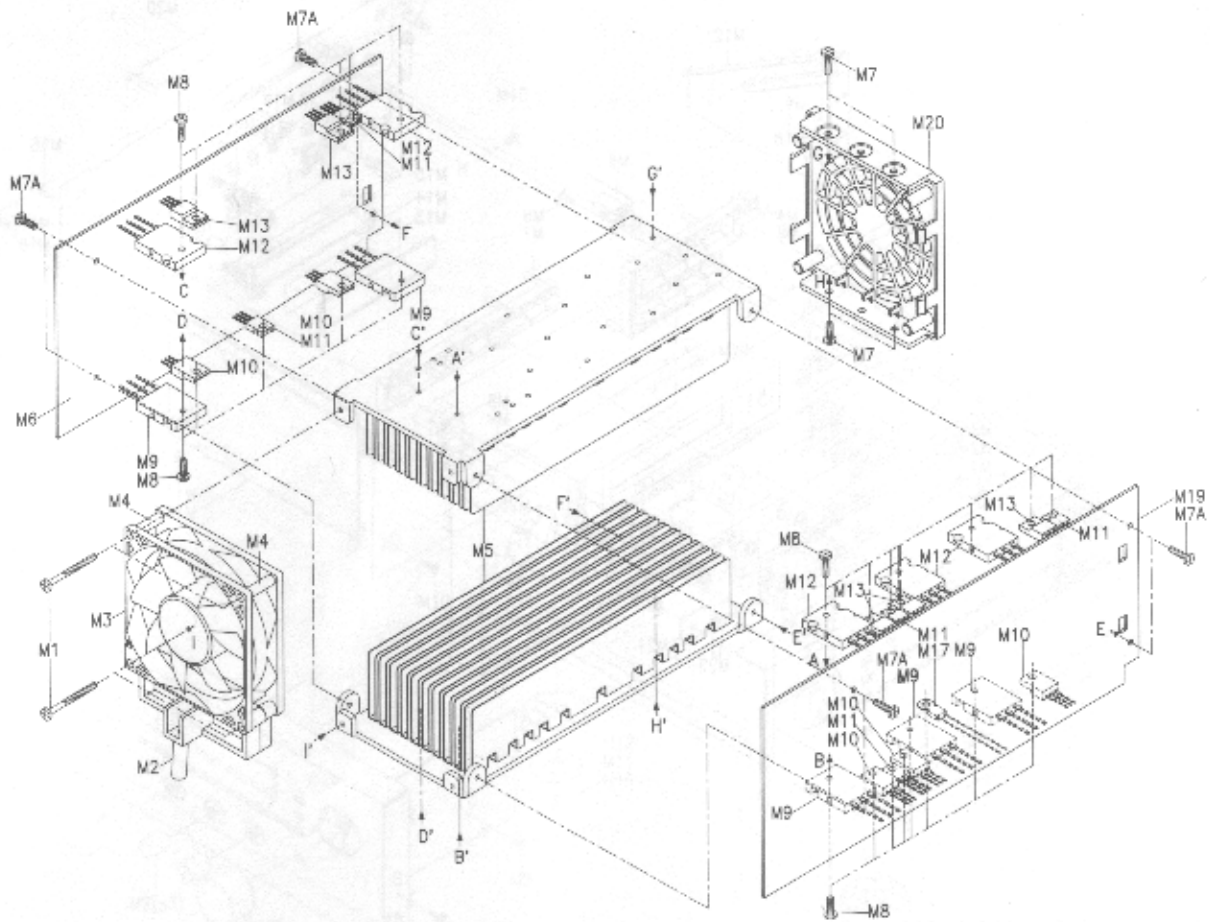
4-2. Front Panel Assembly (01)



4-2. Front Panel Assembly (01)

Ref. No.	Part Number	Description	Q'ty	Ref. No.	Part Number	Description	Q'ty
M1	100207984A	Front panel (UL)	1	M12	201207975P	Front panel bracket	1
	100107984A	Front panel (DU)	1	M13	100907975P	Display plate	1
M2	101207975A	Tuning window	1	M14	2M975A0010	Display holder	1
M3	100227975A	Front chassis (UL)	1	M15	100907975A	Push button (UL)	3
	101707981A	Front chassis (DU)	1		101307981A	Push button (DU)	3
M4	100707975A	Function button (UL)	1	M16	C143259024	Front PCB assembly (UL)	1
	101007984A	Function button (DU)	1		C143259026	Front PCB assembly (DU)	1
M5	C043259033	Headphone PCB assembly	1	M17	2014072115	LED holder (2 PIN)	9
M6	8741301000	7 (Taptite-P) BIN3010 WF14 ZN3A	1	M18	8741301000	7 (Taptite-P) BID3010 ZN3A	6
M7	100607975A	Tuning button (UL)	1	M19	C043259021	Sensor PCB assembly	1
	100907984A	Tuning button (DU)	1	M20	201307975P	Shield plate (A)	1
M8	100807975A	Natural button (UL)	1	M21	C048264960	LED PCB assembly	1
	100707984A	Natural button (DU)	1	M22	2017001005	LED holder	1
M9	1047071600	Indicator	5	M23	201807975P	Sponge (SIDE)	2
M10	C148264950	VR PCB assembly	1	M24	101007985A	Badge	1
M11	W149320805	Fiber washer (3.2x8x0.5)	1	M25	202007975P	PVC spacer	2
				M26	202207975P	EVA spacer	1

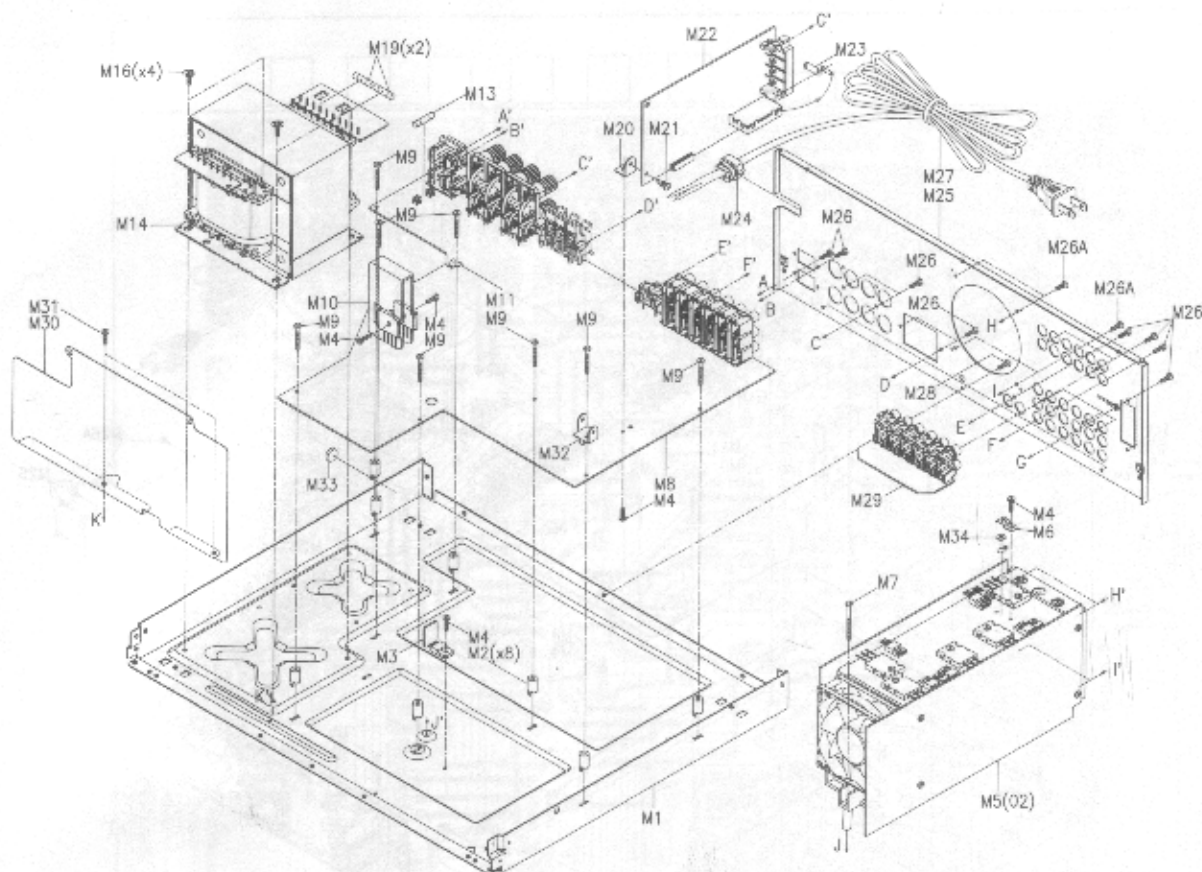
4-3. Heat Sink Assembly (02)



4-3. Heat Sink Assembly (02)

Ref. No.	Part Number	Description	Q'ty	Ref. No.	Part Number	Description	Q'ty
M1	8941303000	9 (Taptite-B) BID3030 ZN3A	4	M10	4100247930	TR 2SC47930 (Q307C,Q307L,Q307R, Q357L,Q357R)	5
M2	200707975P	Heat sink holder	1	M11	410023421Y,0	TR 2SC3421Y,0 (Q306C,Q306L,Q306R, Q356L,Q356R)	5
M3	722974P001	DC fan CHA8012B	1	M12	4100019430	TR 2SA19430 (Q312L,Q312R,Q360L, Q360R,Q310C)	5
M4	2061079607	Spacer supports	2	M13	4100018370	TR 2SA18370 (Q308C,Q308L,Q308R, Q358L,Q358R)	5
M5	000117975P	Heat sink assembly	2	M17	7132110001	Thermistor PTH9M04BH471TS2F333	1
M6	C142266710	L/R amp PCB assembly	1	M19	C142266720	3 amp PCB assembly	1
M7	8941300800	9 (Taptite-B) BID3008 ZN3A	4	M20	1K53K79607	Block holder	1
M7A	8941300600	9 (Taptite-B) BID3006 ZN3A	8				
M8	8941301000	9 (Taptite-B) BID3010 ZN3A	26				
M9	4100252000	TR 2SC52000 (Q309C,Q311L,Q311R, Q359L,Q359R)	5				

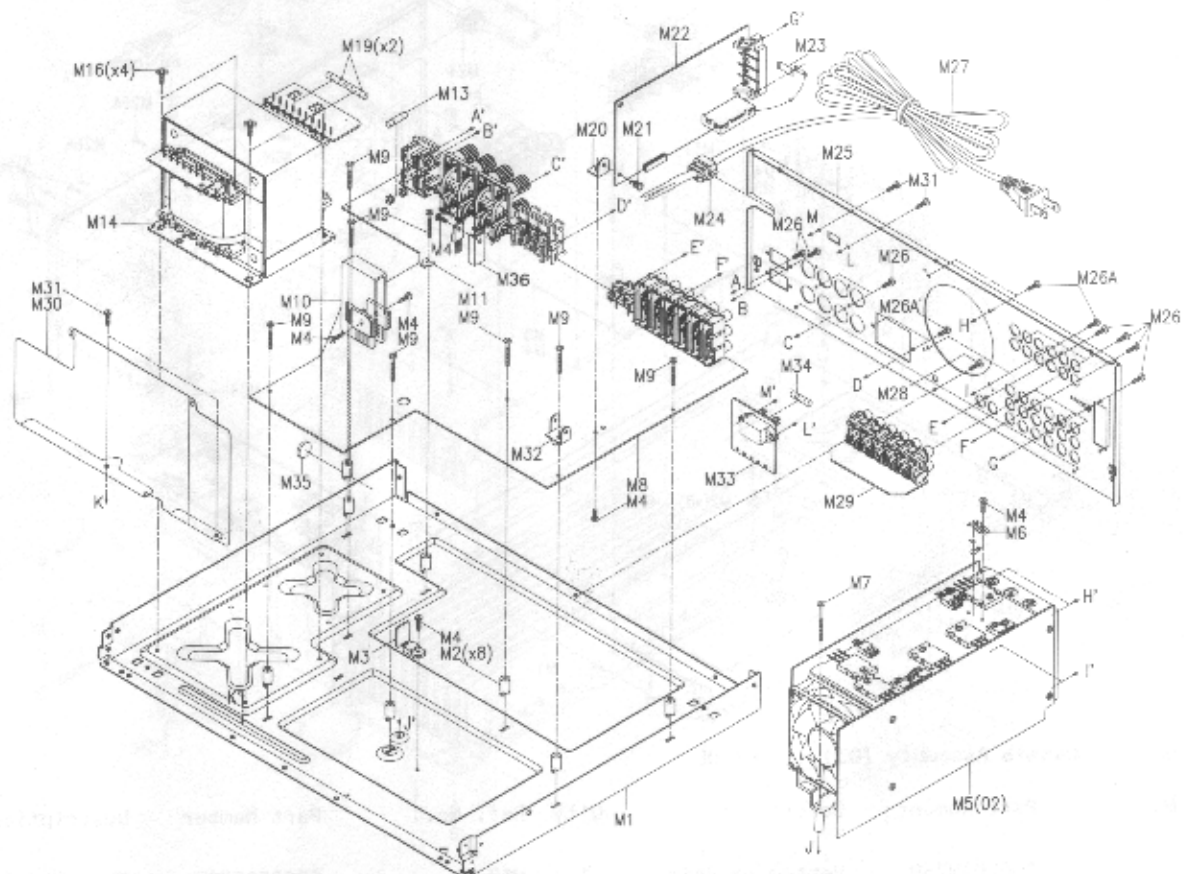
4-4. Bottom Chassis Assembly (03) -- for UL



4-4. Bottom Chassis Assembly (03) -- for UL

Ref. No.	Part Number	Description	Q'ty	Ref. No.	Part Number	Description	Q'ty
M1	200107975P	Bottom chassis	1	M19	5266200B20	Fuse UL/CSA	2
M2	2125079993	Spacer supporter	8			2A/125V (F402,403)	
M3	C048264920	Transistor PCB assembly	1	M20	2011079510	PCB holder	1
M4	8941300800	9 (Taptite-B) BID3008 ZN3A	5	M21	2000000145	P-rievet 3x4.5	1
M5	B984A81003	Heat sink assembly (02)	1	M22	C148264980	Tuner PCB assembly	1
M6	200907975P	Thermistor holder	1	M23	2000000026	Earth terminal	1
M7	8941303000	9 (Taptite-B) BID3030 ZN3A	1	M24	4580000021	Cord stopper 2271	1
M8	C148264910	Main PCB assembly	1	M25	100407984A	Rear panel	1
M9	8941301800	9 (Taptite-B) BID3018 ZN3A	8	M26	8742301000	7 (Taptite-P) BID3010 ZN3K	15
M10	200807975P	IC heat sink	1	M26A	8742301600	7 (Taptite-P) BID3016 ZN3K	4
M11	2000001209	Earth washer 4.2Qx8Q	1	M27	463157M065	AC cord 6.5FT BLK SPT-2	1
M13	52661A0B20	Fuse UL/CSA 10A/125V (F401)	1	M28	8942300600	9 (Taptite-B) BID3006 ZN3K	3
M14	705975P081	Power transformer EI-114	1	M29	C148264930	Jack PCB assembly	1
M16	8641400808	6 (Taptite-S) BID4008 ZN3A SWQ8	4	M30	201507975P	Shield plate (B)	1
M18	C148264940	Fuse PCB assembly	1	M31	8941300600	9 (Taptite-B) BID3006 ZN3A	2
				M32	201407975P	Volume PCB holder	1
				M33	101307975P	Feet rubber	1
				M34	2MCOMM0030	Fiber washer (0.25)	1

4-4. Bottom Chassis Assembly (03) -- for DU



4-4. Bottom Chassis Assembly (03) -- for DU

Ref. No.	Part Number	Description	Q'ty	Ref. No.	Part Number	Description	Q'ty
M1	200107975P	Bottom chassis	1	M19	5267200B62	Fuse BS T2AL250V (F402,403)	2
M2	2125079993	Spacer supporter	8	M20	2011079510	PCB holder	1
M3	C048264921	Transistor PCB assembly	1	M21	2000000145	P-rievet 3x4.5	1
M4	8941300800	9 (Taptite-B) BID3008 ZN3A	6	M22	C148264980	Tuner PCB assembly	1
M5	B984A87003	Heat sink assembly (02)	1	M23	2000000026	Earth terminal	1
M6	200907975P	Thermistor holder	1	M24	4580000021	Cord stopper 2271	1
M6A	2MCOMMO030	Fiber washer (0.25)	1	M25	100607984A	Rear panel	1
M7	8941303000	9 (Taptite-B) BID3030 ZN3A	1	M26	8742301000	7 (Taptite-P) BID3010 ZN3K	15
M8	C148264912	Main PCB assembly	1	M26A	8742301600	7 (Taptite-P) BID3016 ZN3K	4
M9	8941301800	9 (Taptite-B) BID3018 ZN3A	8	M27	463131M065	AC cord 6.5FT BLK SPT-2	1
M10	200807975P	IC heat sink	1	M28	8942300600	9 (Taptite-B) BID3006 ZN3K	7
M11	2000001209	Earth washer 4.2Qx8Q	1	M29	C148264930	Jack PCB assembly	1
M12	5267400L62	Fuse BS T4AL250V (F404)	1	M30	201507975P	Shield plate (B)	1
M13	52671A0862	Fuse BS T10AL250V (F401)	1	M31	8941300600	9 (Taptite-B) BID3006 ZN3A	6
M14	705984P087	Power transformer E1-114	1	M32	201407975P	Volume PCB holder	1
M16	8641400808	6 (Taptite-S) BID4008 ZN3A SWQ8	4	M33	C141262400	AC selector PCB assembly	1
M18	C148264941	Fuse PCB assembly	1	M34	5267500B62	Fuse BS T5AL250V (F405)	1
				M35	101307975P	Foot rubber	1
				M36	201004145D	Heat sink U	1

NOTES: Abbreviations

TR-Transistor, SID-Silicon Diode, ZD-Zener Diode
 RK-Carbon Resistor, RSS/RSN-Metal Film Resistor, RC-Cement Resistor
 CE-Electrolytic Capacitor, CM-Mylar Capacitor, CG-Gold Capacitor
 CC-Ceramic Capacitor, CMEM-Metalized Polyester Capacitor, CKF-Ceramic Capacitor
 CPL-Polystyrene Capacitor, C-Mica Capacitor, CML-Multi-layer Ceramic Capacitor

Front P.C.B. Ass'y

Schematic Ref. No.	Part No.	Description	Schematic Ref. No.	Part No.	Description
		Front P.C.B. Ass'y	R031L,R	4050156255	RK 5.6K 1/6W J
	4143259024	Front P.C.B. Ass'y	R032L,R	4050110155	RK 100 1/6W J
	4143259011	Front P.C.B.	R033L,R	4050115455	RK 150K 1/6W J
			R034L,R	4050110475	RK 100K 1/6W 1%
			R035L,R	4050156455	RK 560K 1/6W J
IC001	41517530E2	IC UPD753012AGC-E20-3B9	R036L,R	4050110255	RK 1K 1/6W J
IC002	4153742371	IC TC74HC237AP	R037L,R	4050112375	RK 12K 1/6W 1%
IC003	4159020920	IC BU2092	R038L,R	4050110275	RK 1K 1/6W 1%
IC004	4151045708	IC UPC4570HA	R040L,R	4050412355	RK 12K 1/4W J
IC006	415904556L	IC NJM4556L	R041L,R	4050182355	RK 82K 1/6W J
Q001,002	410520945P,Q	TR 2SC945P,Q	R042L,R	4050147155	RK 470 1/6W J
Q003	4109101245	TR DTA124ES	R043L,R	4050127255	RK 2.7K 1/6W J
Q004	410520945P,Q	TR 2SC945P,Q	R044L,R	4050115355	RK 15K 1/6W J
Q010	410520945P,Q	TR 2SC945P,Q	R045L,R	4050120255	RK 2K 1/6W J
Q012	410500733P,Q	TR 2SA733P,Q	R046L,R	4050168155	RK 680 1/6W J
Q013-016	410522878A	TR 2SC2878A	R047L,R	4050110355	RK 10K 1/6W J
X001	410094194S	X'tal 4.194304MHz	R050,051	4050147355	RK 47K 1/6W J
	or 410094194I	X'tal 4.19430MHz	R052,053	4050110355	RK 10K 1/6W J
D001	4121901330	Sid 1SS133	R054	4050147455	RK 470K 1/6W J
	or 412114148M	Sid 1N4148M	R055-059	4050110255	RK 1K 1/6W J
D002	4132104002	Sid 1N4002	R060	4050427155	RK 270 1/4W J
D003-006	4121901330	Sid 1SS133	R061	4050127355	RK 27K 1/6W J
	or 412114148M	Sid 1N4148M	R062	4050182355	RK 82K 1/6W J
D011-018	4121141480	Sid 1N4148	R063	4050182255	RK 8.2K 1/6W J
D019	4121901330	Sid 1SS133	R070L,R	4050110255	RK 1K 1/6W J
	or 412114148M	Sid 1N4148M	R071L,R	4050147355	RK 47K 1/6W J
D021	4121901330	Sid 1SS133	R072L,R	4050110255	RK 1K 1/6W J
	or 412114148M	Sid 1N4148M	R073L,R	4050156255	RK 5.6K 1/6W J
D022	4121901330	Sid 1SS133 (for DU)	R074L,R	4050110155	RK 100 1/6W J
	or 412114148M	Sid 1N4148M	R075L,R	4050110355	RK 10K 1/6W J
D024	4121901330	Sid 1SS133 (for DU)	R076,077	4050447055	RK 47 1/4W J
	or 412114148M	Sid 1N4148M	R081,082	4050147255	RK 4.7K 1/6W J
D026	4121901330	Sid 1SS133	C001,002	5121220552	CC 22P 50V J (CH)
	or 412114148M	Sid 1N4148M	C003	2000001014	CC 0.1F 5.5V (Gold)
LED001-LED005	412064240D	LED 5Q 424-6USOD/S283 (AMBER)	C004	7308622345	CML 0.022u 25V Z
LED006-LED013	4120612543	LED 3Q EL1254SOT (ORG)	C005	7306610445	CML 0.1u 50V Z
LED015	4120612543	LED 3Q EL1254SOT (ORG)	C006	5153221216	CE 220u 16V M
L001	4328247186	Motor Choke 470uH "K"	C007	5153470216	CE 47u 16V M
L002,003	4325047093	P. Coil 47uH	C008	5153100250	CE 10u 50V M
S001-022	4400000160	Tact SW SKHVBL3720-CP	C009	7308622345	CML 0.022u 25V Z
S023	4430206415	Push SW SEA12MCO01-CP	C010	7306610445	CML 0.1u 50V Z
S025,026	4430206415	Push SW SEA12MCO01-CP	C011	5157229250	CE 2.2u 50V M (LN)
LC001	4110440246	LCD Display	C012	5153109250	CE 1u 50V M
VR001	5020125160	VR 250KMx2	C013	7306610445	CML 0.1u 50V Z
VR002	5020252307	VR 100Kx2	C014	5153101210	CE 100u 10V M
VR003	5020254158	VR 50Kx2	C015	7308622345	CML 0.022u 25V Z
RA001	408147257A	Sip. Resistor	C016	5153101210	CE 100u 10V M
		4.7K 1/10W J	C017	7308622345	CML 0.022u 25V Z
R001	4050147355	RK 47K 1/6W J	C018	5153221216	CE 220u 16V M
R002	4050110255	RK 1K 1/6W J	C019	5101102152	CC 0.001u 50V K
R003	4050147355	RK 47K 1/6W J	C030L,R	5116102511	CM 0.001u 100V J
R004	4050110255	RK 1K 1/6W J	C031L,R	5113104563	CMEM 0.1u 63V J
R005	4050147355	RK 47K 1/6W J	C032L,R	5091331513	CPL 330P 100V J
R006	4050410355	RK 10K 1/4W J	C033L,R	5157229250	CE 2.2u 50V M (LN)
R007,008	4050110355	RK 10K 1/6W J	C034L,R	5128101552	CE 100P 50V J
R009-013	4050147355	RK 47K 1/6W J	C035L,R	5157479250	CE 4.7u 50V M (LN)
R014,015	4050447255	RK 4.7K 1/4W J	C036L,R	5128470552	CC 47P 50V J
R020	4050127155	RK 270 1/6W J	C037L,R	5157229250	CE 2.2u 50V M (LN)
R021-024	4050427155	RK 270 1/4W J	C038L,R	5116683511	CM 0.068u 100V J
R025-029	4050127155	RK 270 1/6W J	C039L,R	5113394563	CMEM 0.39u 63V J
R030L,R	4050156255	RK 5.6K 1/6W J	C040L,R	5116272511	CM 0.0027u 100V J
			C041L,R	5128181552	CC 180P 50V J

Schematic Ref. No.	Part No.	Description
C042L,R	5116183511	CM 0.018u 100V J
C043L,R	5153479250	CE 4.7u 50V M
C060	5153220216	CE 22u 16V M
C065-069	7306647345	CML 0.047u 50V Z
C070L,R	5153100250	CE 10u 50V M
C071L,R	5128101552	CC 100P 50V J
C072L,R	5153100250	CE 10u 50V M
C074,075	5153101225	CE 100u 25V M
CN002	4492800265	Side Base FFC 28P
CN003	4490700337	Wire Holder 7P20
	or 4490700261	Wire Holder 7P20
CN004	4490201005	Side Base PH 2P
CN005	4490300337	Wire Holder 3P20
	or 4490302261	Wire Holder 3P20

Sensor P.C.B. Ass'y

Schematic Ref. No.	Part No.	Description
	C043259021	Sensor P.C.B. Ass'y
	4143259021	Sensor P.C.B.

RM001	714SPS4471	Remote Receiver SPS-447-1
CN001-	4494000314	40P Side Pin Header

Headphone P.C.B. Ass'y

Schematic Ref. No.	Part No.	Description
	C043259033	Headphone P.C.B. Ass'y
	4143259031	Headphone P.C.B.

JK001	4500700390	Headphone Jack
CN005-	4490300261	Wire Holder 3P20
	or 4490300337	Wire Holder 3P20

Main P.C.B. Ass'y

Schematic Ref. No.	Part No.	Description
	C148264910	Main P.C.B. Ass'y
	4148264910	Main P.C.B.

IC401	4151012378	IC UPC1237HA
IC402	4151078005	IC UPC78L05J
	or 415978L05A	IC NJM78L05A
IC501	415904558D	IC NJM4558D
IC502,503	4151045708	IC UPC4570HA
IC504	4153040662	IC TC4066BP
IC505,506	4152078211	IC LC78211
IC701	4152027860	IC LA2786
IC702	4152010160	IC LV1016
IC801	4152079510	IC LA7951
Q401	410520945P,Q	TR 2SC945P,Q
Q404	410030882P,Q	TR 2SD882P,Q
Q405	4100009530	TR 2SA953
Q406-412	410520945P,Q	TR 2SC945P,Q
Q413	410500733P,Q	TR 2SA733P,Q
Q415	410031761E,D	TR 2SD1761E,D (for DU)
Q416	410520945P,Q	TR 2SC945P,Q
Q417	4100009530	TR 2SA953
Q418	410520945P,Q	TR 2SC945P,Q
Q501	410522878A	TR 2SC2878A
Q502	410520945P,Q	TR 2SC945P,Q
Q503	410500733P,Q	TR 2SA733P,Q
Q508,509	410520945P,Q	TR 2SC945P,Q
Q701	410522001L	TR 2SC2001L
Q702,703	410520945P,Q	TR 2SC945P,Q
Q801,802	410520945P,Q	TR 2SC945P,Q
Q803	410030882P,Q	TR 2SD882P,Q
CF701	410090008M	X'tal 8.00MHz

Schematic Ref. No.	Part No.	Description
D401,402	41300GBU8D	RD GBU8D
D404	413022W02C	RD 2W02C
D405	412150120B	ZD MTZ12B
D406,407	4121901330	Sid 1SS133
	or 412114148M	Sid 1N4148M
D409,410	412150150B	ZD MTZ15B
D411	412150120B	ZD MTZ12B (for DU)
D412-419	4121901330	Sid 1SS133
	or 412114148M	Sid 1N4148M
D420,421	4138104002	Sid 1N4002L
D423	412150110B	ZD MTZ11B
D424	4121901330	Sid 1SS133
	or 412114148M	Sid 1N4148M
D426-428	4121901330	Sid 1SS133
	or 412114148M	Sid 1N4148M
D701	412150100B	ZD MTZ10B
D702,703	4121901330	Sid 1SS133
	or 412114148M	Sid 1N4148M
D801	412150120B	ZD MTZ12B
D802	413022W02C	RD 2W02C
T401	420D351132	Power Trans. EI-35 (for UL)
	420D419187	Power Trans. EI-41x23 (for DU)
JK401	4560008113	8P SP Jack
JK402	4560006112	6P SP Jack
JK403	4570101460	AC Outlet CCT1304-0211
JK503,504	4500800446	9P RCA Jack
JK505	4500800445	2P RCA Jack
JK506	4500100448	Remote Jack 3.5MM
RY401,402	4390000067	Relay STD-SS-112DM
RY403-406	4395555564	Relay OSA-SS-212DMS
RY407	4390000066	Relay OSZ-SH-11
THR1	7138801010	Thermistor 50KD-5
FR816	4180410957	Fuse Resistor 1 1/4W
R401,402	4050110355	RK 10K 1/6W J
R403,404	4271010955	RSS 1 1W J
R405	4271068955	RSS 6.8 1W J
R406-408	4050447155	RK 470 1/4W J
R409	4271010055	RSS 10 1W J (for DU)
R410	4271010255	RSS 1K 1W J (for DU)
R411,412	4050147255	RK 4.7K 1/6W J
R413	4050147355	RK 47K 1/6W J
R415	4050410255	RK 1K 1/4W J
R416	4050110455	RK 100K 1/6W J
R417	405C147355	RK 47K 1/6W J
R418	4050110155	RK 100 1/6W J
R419	4050110255	RK 1K 1/6W J
R420-423	4050110355	RK 10K 1/6W J
R424-426	4050147255	RK 4.7K 1/6W J
R427	4050110355	RK 10K 1/6W J
R428	405024755T	RK 4.7M 1/2W J (for UL)
R429C,L,R	4272010055	RSS 10 2W J
R430L,R	4272010055	RSS 10 2W J
R431,432	4050222359	RK 22K 1/2W J
R435	4050168255	RK 6.8K 1/6W J
R436	4050147355	RK 47K 1/6W J
R437	4050215259	RK 1.5K 1/2W J
R438	4050147255	RK 4.7K 1/6W J
R439	4050110355	RK 10K 1/6W J
R440	4050110455	RK 100K 1/6W J
R441	4271027055	RSS 27 1W J
R519L,R	4050110255	RK 1K 1/6W J
R520L,R	4050110455	RK 100K 1/6W J
R521L,R	4050110255	RK 1K 1/6W J
R522L,R	4050110455	RK 100K 1/6W J
R523L,R	4050110255	RK 1K 1/6W J
R524L,R	4050110455	RK 100K 1/6W J
R525L,R	4050110255	RK 1K 1/6W J
R526L,R	4050110455	RK 100K 1/6W J
R527L,R	4050110255	RK 1K 1/6W J

Schematic

Ref. No.	Part No.	Description
R528L,R	4050110455	RK 100K 1/6W J
R529L,R	4050110255	RK 1K 1/6W J
R530L,R	4050110455	RK 100K 1/6W J
R531L,R	4050122255	RK 2.2K 1/6W J
R532	4050110355	RK 10K 1/6W J
R533-535	4050122255	RK 2.2K 1/6W J
R536,537	4050110355	RK 10K 1/6W J
R538-541	4050422155	RK 220 1/4W J
R542,543	4050110355	RK 10K 1/6W J
R544-546	4050122255	RK 2.2K 1/6W J
R547L,R	4050122255	RK 2.2K 1/6W J
R548C,L,R,S	4050122255	RK 2.2K 1/6W J
R550L,R	4050110455	RK 100K 1/6W J
R551L,R	4050110255	RK 1K 1/6W J
R552L,R	4050110455	RK 100K 1/6W J
R554,555	4050410155	RK 100 1/4W J
R560	4050122255	RK 2.2K 1/6W J
R562C,L,R,S	4050113355	RK 13K 1/6W J
R563C,L,R,S	4050147255	RK 4.7K 1/6W J
R564-567	4050110355	RK 10K 1/6W J
R568	4050110255	RK 1K 1/6W J
R569	4050110455	RK 100K 1/6W J
R570	4050110255	RK 1K 1/6W J
R580	4050122455	RK 220K 1/6W J
R583	4500122355	RK 22K 1/6W J
R585	4050110155	RK 100 1/6W J
R586	4050122055	RK 22 1/6W J
R587	4050110355	RK 10K 1/6W J
R588-591	4050122255	RK 2.2K 1/6W J
R593L,R	4050110455	RK 100K 1/6W J
R594L,R	4050110255	RK 1K 1/6W J
R595L,R	4050147255	RK 4.7K 1/6W J
R596C,L,R,S	4050110455	RK 100K 1/6W J
R597C,L,R,S	4050110455	RK 100K 1/6W J
R598L,R	4050112255	RK 1.2K 1/6W J
R599	4050124355	RK 24K 1/6W J
R600L,R	4050110455	RK 100K 1/6W J
R601	4050110455	RK 100K 1/6W J
R610	4050410355	RK 10K 1/4W J
R701,702	4050110155	RK 100 1/6W J
R703,704	4050122255	RK 2.2K 1/6W J
R705,706	4050110155	RK 100 1/6W J
R707	4050120355	RK 20K 1/6W J
R708L,R	4050110255	RK 1K 1/6W J
R709	4050110555	RK 1M 1/6W J
R711	4271068955	RSS 6.8 1W J
R712	4050139355	RK 39K 1/6W J
R713	4050447155	RK 470 1/4W J
R714,715	4050110355	RK 10K 1/6W J
R716,717	4050122255	RK 2.2K 1/6W J
R801-808	4050175055	RK 75 1/6W J
R809,810	4050112255	RK 1.2K 1/6W J
R811,812	4050115155	RK 150 1/6W J
R813,814	4050175055	RK 75 1/6W J
R815	4050410255	RK 1K 1/4W J
R817	4050110055	RK 10 1/6W J
R818	4050110255	RK 1K 1/6W J
R819,820	4050410255	RK 1K 1/4W J
C401,402	5155103280	CE 10000u 80V (TSW)
C405-408	5104103441	CKF 0.01u 100V Z
C411,412	5104103441	CKF 0.01u 100V Z
C413	5154102225	CE 1000u 25V M
C414	5154222225	CE 2200u 25V M
C415	5153471225	CE 470u 25V M
C416	5153471225	CE 470u 25V M
C417,418	5104103441	CKF 0.01u 100V Z
C419,420	7308622345	CML 0.022u 25V Z
C421,422	5153471216	CE 470u 16V M
C423	5153221225	CE 220u 25V M
C424	5153471225	CE 470u 25V M
C425	5153221225	CE 220u 25V M

Schematic

Ref. No.	Part No.	Description
C426	5153471225	CE 470u 25V M
C427-433	7308622345	CML 0.022u 25V Z
C434,435	7308622345	CML 0.022u 25V Z(DU)
C436	7308622345	CML 0.022u 25V Z
C437	5100472243	C Spark 4700p AC400V
C438	5153101225	CE 100u 25V M (for DU)
C439	7307110315	CML 0.01u 16V K
C441	5163470225	CE 47u 25V M (NON)
C442	5153101216	CE 100u 16V M
C443	5153229250	CE 2.2u 50V M
C445C,L,R	5116104511	CM 0.1u 100V J
C447L,R	5116104511	CM 0.1u 100V J
C449	5153479250	CE 4.7u 50V M
C450,451	5153101216	CE 100u 16V M
C488	5153101225	CE 100u 25V M (for DU)
C508L,R	5153479250	CE 4.7u 50V M
C509L,R	5153479250	CE 4.7u 50V M
C510L,R	5153479250	CE 4.7u 50V M
C511L,R	5153479250	CE 4.7u 50V M
C512L,R	5153479250	CE 4.7u 50V M
C513L,R	5153479250	CE 4.7u 50V M
C514C,L,R,S	5153479250	CE 4.7u 50V M
C515L,R	5153479250	CE 4.7u 50V M
C516	5153108250	CE 0.1u 50V M
C517-520	5153101225	CE 100u 25V M
C521	5153108250	CE 0.1u 50V M
C522L,R	5153229250	CE 2.2u 50V M
C523L,R	5153479250	CE 4.7u 50V M
C524,525	5153221225	CE 220u 25V M
C526,527	7308622345	CML 0.022u 25V Z
C530L,R	5153479250	CE 4.7u 50V M
C531C,L,R,S	7306510115	CML 100P 50V K
C533	5153479250	CE 4.7u 50V M
C535L,R	5153479250	CE 4.7u 50V M
C536	5153229250	CE 2.2u 50V M
C537	5153479250	CE 4.7u 50V M
C537C,L,R,S	5153479250	CE 4.7u 50V M
C538,539	5153479250	CE 4.7u 50V M
C540-542	7306610445	CML 0.1u 50V Z
C701	7308622345	CML 0.022u 25V Z
C702	7306647345	CML 0.047u 50V Z
C703	5153221216	CE 220u 16V M
C704-707	5153100250	CE 10u 50V M
C708	5153221216	CE 220u 16V M
C709L,R	5153109250	CE 1u 50V M
C710,711	7306610445	CML 0.1u 50V Z
C712	5153478250	CE 0.47u 50V M
C713	5157479250	CE 4.7u 50V M (LN)
C714	5153478250	CE 0.47u 50V M
C715	5157479250	CE 4.7u 50V M (LN)
C716	5153158250	CE 0.15u 50V M
C717	5157339250	CE 3.3u 50V M (LN)
C718	5113154563	CMEM 0.15u 63V J
C719	7306568115	CML 680P 50V K
C720L,R	5153100250	CE 10u 50V M
C721	5153100250	CE 10u 50V M
C722	5113474563	CMEM 0.47u 63V J
C723	5153470225	CE 47u 25V M
C724,725	7306610445	CML 0.1u 50V Z
C726	5153478250	CE 0.47u 50V M
C727	5157479250	CE 4.7u 50V M (LN)
C728	5153478250	CE 0.47u 50V M
C729	5157479250	CE 4.7u 50V M (LN)
C730	5153158250	CE 0.15u 50V M
C731	5157339250	CE 3.3u 50V M (LN)
C732	5113154563	CMEM 0.15u 63V J
C733	5153229250	CE 2.2u 50V M
C734L,R	7306533115	CML 330P 50V K
C735	5153338250	CE 0.33u 50V M
C736	7308622345	CML 0.022u 25V Z
C737	5153471216	CE 470u 16V M

Schematic Ref. No.	Part No.	Description
C738L,R	5153100250	CE 10u 50V M
C739	5153478250	CE 0.47u 50V M
C740	5116823511	CM 0.082u 100V J
C741	5116332551	CM 0.0033u 50V J
C742	5116823511	CM 0.082u 100V J
C743	5153221216	CE 220u 16V M
C744,745	7306930055	CML 30P 50V J
C746-748	7306547115	CML 470P 50V K
C749	5153101225	CE 100u 25V M
C750	5153101216	CE 100u 16V M
C751,752	7308622345	CML 0.022u 25V Z
C753,754	7306610445	CML 0.1u 50V Z
C801-803	5153479250	CE 4.7u 50V M
C804	5153470225	CE 47u 25V M
C805-807	5153471210	CE 470u 10V M
C808	5153101216	CE 100u 16V M
C809	5153479250	CE 4.7u 50V M
C810	7308622345	CML 0.022u 25V Z
C811	5153221216	CE 220u 16V M
C812	5153471225	CE 470u 25V M
C813	7308622345	CML 0.022u 25V Z
C814	5153100250	CE 10u 50V M
C815,816	7308622345	CML 0.022u 25V Z
C817	7307110315	CML 0.01u 16V K
C818,819	7306510215	CML 0.001u 50V K
CN002-	4492800263	FFC 28P Top Base
CN006-	4490301004	PH 3P Top Base
CN101-	4491100316	Header 11P IMSA-9115B-11
CN302-	4490700268	Wire Holder 7P25
	or 4490700338	Wire Holder 7P25
CN303-	4491000268	Wire Holder 10P25
	or 4491000338	Wire Holder 10P25
CN307-	4490500268	Wire Holder 5P25
	or 4490500338	Wire Holder 5P25
CN502	4491000270	FTW 10P Top Base
CN506	4491300270	FTW 13P Top Base
CN508	4490900270	FTW 9P Top Base
CN510	4490300261	Wire Holder 3P20
	or 4490300337	Wire Holder 3P20
CN513-	4492000263	FFC 20P Top Base
CN514	4490200261	Wire Holder 2P20
	or 4490200337	Wire Holder 2P20
CN515	4490200270	FTW 2P Top Base
AC1,2	2000000843	Terminal Pin (L)
PP1-4	2000000478	Terminal pin (K)
T401	420D351132	Power Transformer EI-35 (for UL)
	420D419147	Power Transformer EI-41 (for DU)
	4692000034	Fuse Holder PFC5000-0202T(F401)

Transistor P.C.B. Ass'y

Schematic Ref. No.	Part No.	Description
	C048264920	Transistor P.C.B. Ass'y
	4148264920	Transistor P.C.B.
Q403	410031761E,D	TR 2SD1761E,D
CN510-	4490300261	Wire Holder 3P20
CN510-	or 4490300337	Wire Holder 3P20

Jack P.C.B. Ass'y

Schematic Ref. No.	Part No.	Description
	C148264930	Jack P.C.B. Ass'y
	4148264930	Jack P.C.B.

Schematic Ref. No.	Part No.	Description
	JK501	6P RCA Jack
	JK502	6P RCA Jack
CN506-	4491300261	Wire Holder 13P20
	or 4491300337	Wire Holder 13P20
R501	4050110255	RK 1K 1/6W J
R502	4050110455	RK 100K 1/6W J
R503	4050110255	RK 1K 1/6W J
R504	4050110455	RK 100K 1/6W J
R505L,R	4050110255	RK 1K 1/6W J
R506L,R	4050110455	RK 100K 1/6W J
R507L,R	4050110255	RK 1K 1/6W J
R508L,R	4050110455	RK 100K 1/6W J
R509L,R	4050110255	RK 1K 1/6W J
R510L,R	4050110455	RK 100K 1/6W J
R511L,R	4050110455	RK 100K 1/6W J
R512L,R	4050110255	RK 1K 1/6W J
R517L,R	4050110255	RK 1K 1/6W J
R518L,R	4050110455	RK 100K 1/6W J
C543	7306610445	CML 0.1u 50V Z
C501,502	5153479250	CE 4.7u 50V M
C503L,R	5153479250	CE 4.7u 50V M
C504L,R	5153479250	CE 4.7u 50V M
C505L,R	5153479250	CE 4.7u 50V M
C506L,R	5153479250	CE 4.7u 50V M
C507L,R	5153479250	CE 4.7u 50V M
A	2000000655	Pin 1.3Q 1PS-1102-2

Fuse P.C.B. Ass'y

Schematic Ref. No.	Part No.	Description
	C148264940	Fuse P.C.B. Ass'y
	4148264940	Fuse P.C.B.
CN508-	4490300261	Wire Holder 3P20
	or 4490300337	Wire Holder 3P20
CN502-	4491000261	Wire Holder 10P20
	or 4491000337	Wire Holder 10P20
CN515-	4490200261	Wire Holder 2P20
	or 4490200337	Wire Holder 2P20
	4692000034	Fuse Holder PFC5000-0202T(F402,F403)

VR P.C.B. Ass'y

Schematic Ref. No.	Part No.	Description
	C148264950	VR P.C.B. Ass'y
	4148264950	VR P.C.B.
IC901,902	4152075350	IC LC7535
IC904	4152016410	IC LB1641
IC905,906	4151045708	IC UPC4570HA
Q901C,L,R,S	410520945P,Q	TR 2SC945P,Q
Q902C,L,R	410522878A	TR 2SC2878A
Q903,904	410520945P,Q	TR 2SC945P,Q
Q905,906	410500733P,Q	TR 2SA733P,Q
D901,902	412150056B	ZD MTZ 5.6B
D906	412150047B	ZD MTZ4.7B
VR901	5025254308	VR50KB RK16316 MC030-50KBX6
R901C,L,R,S	4050110455	RK 100K 1/6W J
R903C,L,R,S	4050168455	RK 680K 1/6W J
R904C,L,R,S	4050110255	RK 1K 1/6W J
R905C,L,R,S	4050122255	RK 2.2K 1/6W J
R907C,S	4050122255	RK 2.2K 1/6W J
R908-910	4050122255	RK 2.2K 1/6W J
R911	4050110255	RK 1K 1/6W J
R912-914	4050122255	RK 2.2K 1/6W J

Schematic Ref. No.	Part No.	Description
R915	4050110255	RK 1K 1/6W J
R916	4050422155	RK 220 1/4W J
R917	4050410155	RK 100 1/4W J
R920C,L,R,S	4050156255	RK 5.6K 1/6W J
R925C,L,R	4050110355	RK 10K 1/6W J
R926-932	4050110355	RK 10K 1/6W J
R933	4050110455	RK 100K 1/6W J
R934	4050110355	RK 10K 1/6W J
R935	4050110455	RK 100K 1/6W J
R937	4050147255	RK 4.7K 1/6W J
R938,939	4050410155	RK 100 1/4W J
R940C,L,R,S	4050110455	RK 100K 1/6W J
R941C,L,R,S	4050110455	RK 100K 1/6W J
R942C,L,R,S	4050112355	RK 12K 1/6W J
R943C,L,R	4050120255	RK 2K 1/6W J
R943S	4050118255	RK 1.8K 1/6W J
R944C,L,R	4050110255	RK 1K 1/6W J
R945C,L,R,S	4050110255	RK 1K 1/6W J
FR936	4180410057	Fuse Resistor 10 1/4W
C901C,L,R,S	5165109250	CE 1u 50V M (NON)
C902C,L,R,S	5153479250	CE 4.7u 50V M
C903C,L,R,S	5153479250	CE 4.7u 50V M
C904C,S	5153479250	CE 4.7u 50V M
C905C,L,R,S	7306547115	CML 470P 50V K
C906,907	5153470216	CE 47u 16V M
C908	5153221216	CE 220u 16V M
C909	5153221225	CE 220u 25V M
C910C,L,R,S	7306533115	CML 330P 50V K
C911	7306610445	CML 0.1u 50V Z
C912	5153470216	CE 47u 16V M
C913	7306610445	CML 0.1u 50V Z
C914,915	5153221225	CE 220u 25V M
C916,917	7308622345	CML 0.022u 25V Z
C918C,L,R,S	7306510115	CML 100P 50V K
C919C,L,R,S	5153479250	CE 4.7u 50V M
C922C,L,R,S	5153479250	CE 4.7u 50V M
CN003-	4490700270	FTW 7P Top Base
CN001-	4490700261	Wire Holder 7P20
	or 4490700337	Wire Holder 7P20
C513-	4492000263	FFC 20P Top Base
CN901	4490200268	Wire Holder 2P25
	or 4490200338	Wire Holder 2P25

LED P.C.B. Ass'y

Schematic Ref. No.	Part No.	Description
	C048264960	LED P.C.B. Ass'y
	4148264960	LED P.C.B.
D422	4120612543	LED 3Q EL1254 S0T

Tuner P.C.B. Ass'y

Schematic Ref. No.	Part No.	Description
	C148264980	Tuner P.C.B. Ass'y
	4148264980	Tuner P.C.B.

IC101	4152018360	IC LA1836
IC102	4152072180	IC LC7218
Q101	410521675L	TR 2SC1675L
Q102	41065192AY	FET 2SK192AY
Q103	4109101145	TR DTA114ES
Q104-106	410520945P,Q	TR 2SC945P,Q
X101	410090720M	X'tal 7.2MHz
D101-106	4121901330	Sid 1SS133
	or 412114148M	Sid 1N4148M
D107,108	4120115612	Sid KV1561A-2

Schematic Ref. No.	Part No.	Description
D109	412150051B	ZD MTZ5.1B
D110	4121901330	Sid 1SS133
	or 412114148M	Sid 1N4148M
L101,102	4325022093	P. Coil 22uH
L103	4300103280	AM Ant Coil
		TWS-358-762
L104	4330101830	MW Osc Coil
		TWS-358-673
L105L,R	4329239311	Inductance 39uH
T101	4340201430	FM Det TWS-358-675
T102	4160500199	Ceramic Filter
		TWS-358-679
CF101	4160220044	Ceramic Filter
		SFE10.7MS3GYM RED
CF102	4160200003	Ceramic Filter
		SFE10.7MA5 RED
CF103	4160500148	Resonator BFU450C4N
CF104	4160500203	Resonator CSB456F15
JK101	4560004118	4P Ant Terminal
FE101	71602U511A	FM Front End
		TFEJ2U511A
SFR101	5226103177	Semi VR 10KX
SFR102	5226203177	Semi VR 20KX
R101	4050156255	RK 5.6K 1/6W J
R102	4050122055	RK 22 1/6W J
R103	4050139155	RK 390 1/6W J
R104	4050468355	RK 68K 1/4W J
R105	4050110555	RK 1M 1/6W J
R106	4050139155	RK 390 1/6W J
R107	4050110555	RK 1M 1/6W J
R108	4050147255	RK 4.7K 1/6W J
R109	4050118455	RK 180K 1/6W J
R110	4050122155	RK 220 1/6W J
R111	4050133355	RK 33K 1/6W J
R112	4050133255	RK 3.3K 1/6W J
R113	4050110355	RK 10K 1/6W J
R114	4050110255	RK 1K 1/6W J
R115	4050168255	RK 6.8K 1/6W J
R116,117	4050122155	RK 220 1/6W J
R118	4050139255	RK 3.9K 1/6W J
R119,120	4050133255	RK 3.3K 1/6W J
R121	4050122355	RK 22K 1/6W J
R122	4050147255	RK 4.7K 1/6W J
R123	4050110155	RK 100 1/6W J
R127L,R	4050133255	RK 3.3K 1/6W J
R128L,R	4050133255	RK 3.3K 1/6W J
R129L,R	4050110155	RK 100 1/6W J
R130	4050182255	RK 8.2K 1/6W J
R131	4050133355	RK 33K 1/6W J
R133,134	4050410155	RK 100 1/4W J
R135	4050456255	RK 5.6K 1/4W J
R136	4050133255	RK 3.3K 1/6W J
R137	4271018155	RSS 180 1W J
R138	4050110355	RK 10K 1/6W J
R139	4050147255	RK 4.7K 1/6W J
R140	4050110255	RK 1K 1/6W J
R141	4270218155	RSS 180 1/2W J
R145	4050410355	RK 10K 1/4W J
R146	4050147155	RK 470 1/6W J
R147	4270222155	RSS 220 1/2W J
R148	4050147255	RK 4.7K 1/6W J
R149,150	4050410455	RK 100K 1/4W J
TC101	5010100045	C Trimmer 10P
		VCT51CS54A
C101	7306647345	CML 0.047u 50V Z
C102	5153101216	CE 100u 16V M
C103	7306647345	CML 0.047u 50V Z
C104	7306910055	CML 10P 50V J
C105,106	5104104402	CC 0.1u 50V Z

Schematic Ref. No.	Part No.	Description
C107	5091471513	CPL 470P 100V J
C108	7306610445	CML 0.1u 50V Z
C111	7306510115	CML 100P 50V K
C112	7306610445	CML 0.1u 50V Z
C113	7308622345	CML 0.022u 25V Z
C115	7308622345	CML 0.022u 25V Z
C116	7306647345	CML 0.047u 50V Z
C117	5153100250	CE 10u 50V M
C118	7308622345	CML 0.022u 25V Z
C119	5153100250	CE 10u 50V M
C120	7308622345	CML 0.022u 25V Z
C121	7306647345	CML 0.047u 50V Z
C122	5153100250	CE 10u 50V M
C123	5153478250	CE 0.47u 50V M
C124,125	5153109250	CE 1u 50V M
C126	7306920055	CML 20P 50V J
C127	5153339250	CE 3.3u 50V M
C128	7308622345	CML 0.022u 25V Z
C129	5153101216	CE 100u 16V M
C130	5116123511	CM 0.012u 100V J
C131	5116122511	CM 0.0012u 100V J
C132	5153100250	CE 10u 50V M
C133,134	5116333511	CM 0.033u 100V J
C135,136	5153339250	CE 3.3u 50V M
C139L,R	5153479250	CE 4.7u 50V M
C140L,R	5116472511	CM 0.0047u 100V J
C141L,R	7306510215	CML 0.001u 50V K
C145,146	7306510215	CML 0.001u 50V K
C147	7307110315	CML 0.01u 16V Z
C148	5163339250	CE 3.3u 50V M (NON)
C149	5153101216	CE 100u 16V M
C150	7308622345	CML 0.022u 25V Z
C151	5153101216	CE 100u 16V M
C152,153	7307110315	CML 0.01u 16V Z
C154	5153470216	CE 47u 16V M
C155-157	7306510115	CML 100P 50V K
C158	7308622345	CML 0.022u 25V Z
C159	7306647345	CML 0.047u 50V Z
C160	7306510215	CML 0.001u 50V K
C161	7308622345	CML 0.022u 25V Z
C162	5153331216	CE 330u 16V M
C163,164	5121270552	CC 27P 50V J (CH)
C165,166	7306647345	CML 0.047u 50V Z
C167	7306015055	CML 15p 50V J
C169,170	7308622345	CML 0.022u 25V Z
C173	5153101216	CE 100u 16V M
CN101	4491100317	Socket 11P
TP1	4494000297	40P Pin Header
	4562030003	Egg Terminal 3Q

L/R Amp. P.C.B. Ass'y

Schematic Ref. No.	Part No.	Description
	C142266710	L/R Amp.P.C.B. Ass'y
	4142266710	L/R Amp.P.C.B.
Q301L,R	4105222402	TR 2SC2240BL
Q302L,R	4105222402	TR 2SC2240BL
Q303L,R	4105222402	TR 2SC2240BL
Q304L,R	410501145Y,0	TR 2SA1145Y,0
Q305L,R	410522705Y,0	TR 2SC2705Y,0
Q313L,R	4105222402	TR 2SC2240BL
Q314L,R	4105009702	TR 2SA970BL
Q317	4105222402	TR 2SC2240BL
D301L,R	4121141480	Sid 1N4148
D302L,R	4121141480	Sid 1N4148
D303L,R	4121141480	Sid 1N4148
D305	4121141480	Sid 1N4148
L301L,R	4298822034	Audio Coil 0.8uH

Schematic Ref. No.	Part No.	Description
VR301L,R	5226102177	Semi VR 1KX
R301L,R	4050110255	RK 1K 1/6W J
R302L,R	4050122455	RK 220K 1/6W J
R303L,R	4050112355	RK 12K 1/6W J
R304L,R	4050482155	RK 820 1/4W J
R305L,R	4050482155	RK 820 1/4W J
R306L,R	4050422055	RK 22 1/4W J
R307L,R	4050422055	RK 22 1/4W J
R308L,R	4050136155	RK 360 1/6W J
R309L,R	4050422155	RK 220 1/4W J
R310L,R	4050447355	RK 47K 1/4W J
R311L,R	4050491055	RK 91 1/4W J
R313L,R	4050410155	RK 100 1/4W J
R314L,R	4050420255	RK 2K 1/4W J
R315L,R	4050433155	RK 330 1/4W J
R316L,R	4270222155	RSS 220 1/2W J
R317L,R	4050315355	RK 15K 1/4W J
R319L,R	7195022852	RC 0.22x2 5W
R321L,R	4050410355	RK 10K 1/4W J
R322L,R	4050343255	RK 4.3K 1/4W J
R323L,R	4050418455	RK 180K 1/4W J
R324L,R	4050418355	RK 18K 1/4W J
R325L,R	4050410455	RK 100K 1/4W J
R329L,R	4050418455	RK 180K 1/4W J
R330L,R	4171033955	RSN 3.3 1W J
R331	4050410355	RK 10K 1/4W J
FR301-304	4180247057	Fuse Resistor 47 1/2W
C301L,R	5153479250	CE 4.7u 50V M
C302L,R	5116473511	CM 0.047u 100V J
C303L,R	5116102511	CM 0.001u 100V J
C304L,R	5153101216	CE 100u 16V M
C305L,R	5116473511	CM 0.047u 100V J
C306L,R	5128470552	CC 47P 50V J
C307L,R	5128100852	CC 10P 50V D
C308L,R	5113154563	CMEM 0.15u 63V J
C310L,R	5154101201	CE 100u 100V M
C311L,R	5154101201	CE 100u 100V M
C312L,R	5104104452	CC 0.1u 50V Z
C315	5153109250	CE 1u 50V M
CN300L,R	4494000297	40P Pin Header
CN302	4490700210	FTW 7P Base
CN303	4491000210	FTW 10P Base
CN304	4490900268	Wire Holder 9P25
	or 4490900338	Wire Holder 9P25
CN308	4490301004	PH 3P Top Base

3 Amp. P.C.B. Ass'y

Schematic Ref. No.	Part No.	Description
	C142266720	3 Amp. P.C.B. Ass'y
	4142266720	3 Amp. P.C.B.
Q301C	4105222402	TR 2SC2240BL
Q302C	4105222402	TR 2SC2240BL
Q303C	4105222402	TR 2SC2240BL
Q304C	410501145Y,0	TR 2SA1145Y,0
Q305C	410522705Y,0	TR 2SC2705Y,0
Q313C	4105222402	TR 2SC2240BL
Q314C	4105009702	TR 2SA970BL
Q318	410520945P,0	TR 2SC945P,0
Q319	410500934R	TR 2SA934R
Q351L,R	4105222402	TR 2SC2240BL
Q352L,R	4105222402	TR 2SC2240BL
Q353L,R	4105222402	TR 2SC2240BL
Q354L,R	410501145Y,0	TR 2SA1145Y,0
Q355L,R	410522705Y,0	TR 2SC2705Y,0
Q363L,R	4105222402	TR 2SC2240BL
Q364L,R	4105009702	TR 2SA970BL
D301C	4121141480	Sid 1N4148

Schematic
Ref. No.
D302C
D303C
D305C
D306
D351L,R
D352L,R
D353L,R
D355
L301C
L351L,R
VR301C
VR351L,R
FR301C
FR302C
FR351-354
R301C
R302C
R303C
R304C
R305C
R306C,307C
R308C
R309C
R310C
R311C
R313C
R314C
R315C
R316C
R317C
R318C
R321C
R322C
R323C
R324C
R325C
R329C
R330C
R332
R333
R334
R351L,R
R352L,R
R353L,R
R354L,R
R355L,R
R356L,R
R357L,R
R358L,R
R359L
R359R
R360L,R
R361L,R
R363L

Part No.
4121141480
4121141480
4121141480
4121141480
4121141480
4121141480
4121141480
4121141480
4121141480
4298822034
4298822034
5226102177
5226102177
4180247057
4180247057
4180247057
4050110255
4050122455
4050112355
4050482155
4050482155
4050422055
4050136155
4050422155
4050473355
4050491055
4050410155
4050420255
4050433155
4270222155
4050415355
7195022852
4050410355
4050415355
4050418455
4050418355
4050410455
4050418455
4171033955
4050447255
4050147255
4270247055
4050110255
4050122455
4050112355
4050482155
4050482155
4050122055
4050122055
4050143155
4050122155
4050422155
4050447355
4050491055
4050110155

Description
Sid 1N4148
Sid 1N4148
Sid 1N4148
Sid 1N4148
Sid 1N4148
Sid 1N4148
Sid 1N4148
Sid 1N4148
Audio Coil 0.8uH
Audio Coil 0.8uH
Semi VR 1KX
Semi VR 1KX
Fuse Resistor 47 1/2W
Fuse Resistor 47 1/2W
Fuse Resistor 47 1/2W
RK 1K 1/6W J
RK 220K 1/6W J
RK 12K 1/6W J
RK 820 1/4W J
RK 820 1/4W J
RK 22 1/4W J
RK 360 1/6W J
RK 220 1/4W J
RK 47K 1/4W J
RK 91 1/4W J
RK 100 1/4W J
RK 2K 1/4W J
RK 330 1/4W J
RSS 220 1/2W
RK 15K 1/4W J
RC 0.22x2 5W
RK 10K 1/4W J
RK 15K 1/4W J
RK 180K 1/4W J
RK 18K 1/4W J
RK 100K 1/4W J
RK 180K 1/4W J
RSN 3.3 1W
RK 4.7K 1/4W J
RK 4.7K 1/6W J
RSS 47 1/2W
RK 1K 1/6W J
RK 220K 1/6W J
RK 12K 1/6W J
RK 820 1/4W J
RK 820 1/4W J
RK 22 1/6W J
RK 22 1/6W J
RK 430 1/6W J
RK 220 1/6W J
RK 220 1/4W J
RK 47K 1/4W J
RK 91 1/4W J
RK 100 1/6W J

Schematic
Ref. No.
R363R
R364L,R
R365L,R
R366L,R
R367L,R
R368L,R
R370L,R
R372L,R
R373L,R
R374L,R
R375L,R
R379L,R
R380L,R
C301C
C302C
C303C
C304C
C305C
C306C
C307C
C308C
C310C,311C
C312C
C313
C314
C351L,R
C352L,R
C353L,R
C354L,R
C355L,R
C356L,R
C357L,R
C358L,R
C360L,R
C361L,R
C362L,R
CN300C
CN301
CN304-
CN305
CN307
CN350L,R

Part No.
4050410155
4050420255
4050433155
4270222155
4050415355
7195022852
4050410355
4050443255
4050424455
4050418355
4050410455
4050418455
4171033955
5153479250
5116473511
5116102511
5153101216
5116473511
5128470552
5128100852
5113154563
5154101201
5104104452
5153100250
5153471216
5153479250
5116473511
5116102511
5153101216
5116473511
5128470552
5128100852
5113154563
5154101263
5154101263
5104104452
4494000297
4490700270
4490900268
or 4490900338
4490201004
4490500210
4494000297

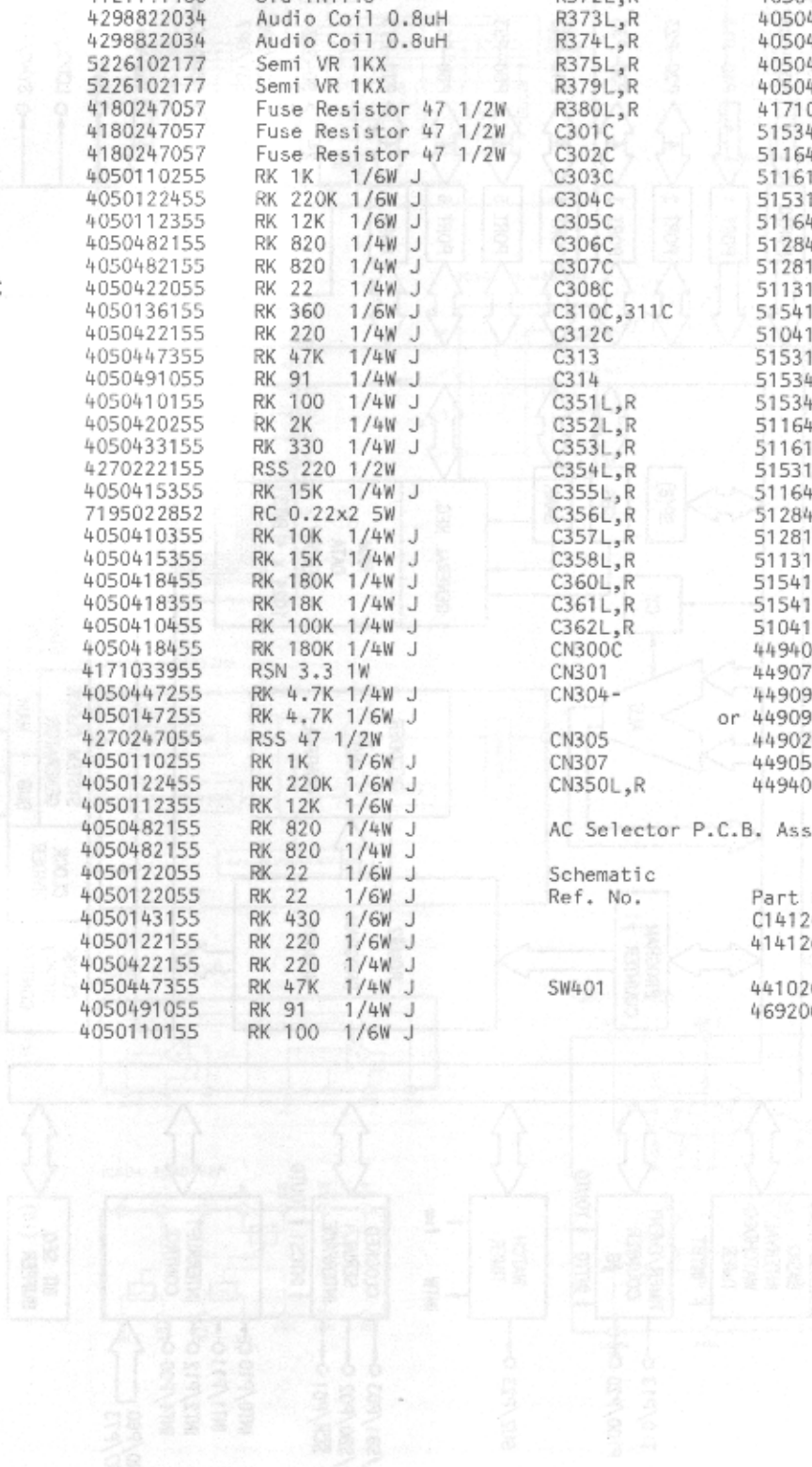
Description
RK 100 1/4W J
RK 2K 1/4W J
RK 330 1/4W J
RSS 220 1/2W
RK 15K 1/4W J
RC 0.22x2 5W
RK 10K 1/4W J
RK 4.3K 1/4W J
RK 240K 1/4W J
RK 18K 1/4W J
RK 100K 1/4W J
RK 180K 1/4W J
RSN 3.3 1W
CE 4.7u 50V M
CM 0.047u 100V J
CM 0.001u 100V J
CE 100u 16V M
CM 0.047u 100V J
CC 47P 50V J
CC 10P 50V D
CMEM 0.15u 63V J
CE 100u 100V M
CC 0.1u 50V Z
CE 10u 50V M
CE 470u 16V M
CE 4.7u 50V M
CM 0.047u 100V J
CM 0.001u 100V J
CE 100u 16V M
CM 0.047u 100V J
CC 47P 50V J
CC 10P 50V D
CMEM 0.15u 63V J
CE 100u 63V M
CE 100u 63V M
CC 0.1u 50V Z
40P Pin Header
FTW 7P Top Base
Wire Holder 9P25
Wire Holder 9P25
PH 2P Top Base
5P FTW Base
40P Pin Header

AC Selector P.C.B. Ass'y (for DU)

Schematic
Ref. No.
SW401

Part No.
C141262400
4141262400
4410206199
4692000034

Description
AC Selector P.C.B.Ass'y
AC Selector P.C.B.
AC Slide SW. L21-22A2
Fuse Holder
PFC5000-0702T(F405)



Nakamichi Corporation

1-153 Suzukicho, Kodaira, Tokyo 187

Nakamichi America Corporation

955 Francisco St., Torrance, CA 90502 Phone:(310)538-8150

Nakamichi Canada

276 South West, Marine Drive, Vancouver, B.C. V5X 2R4 Phone: (604)324-7535