

6.2. Schematic Diagrams  
6.2.1. Amplifier Section

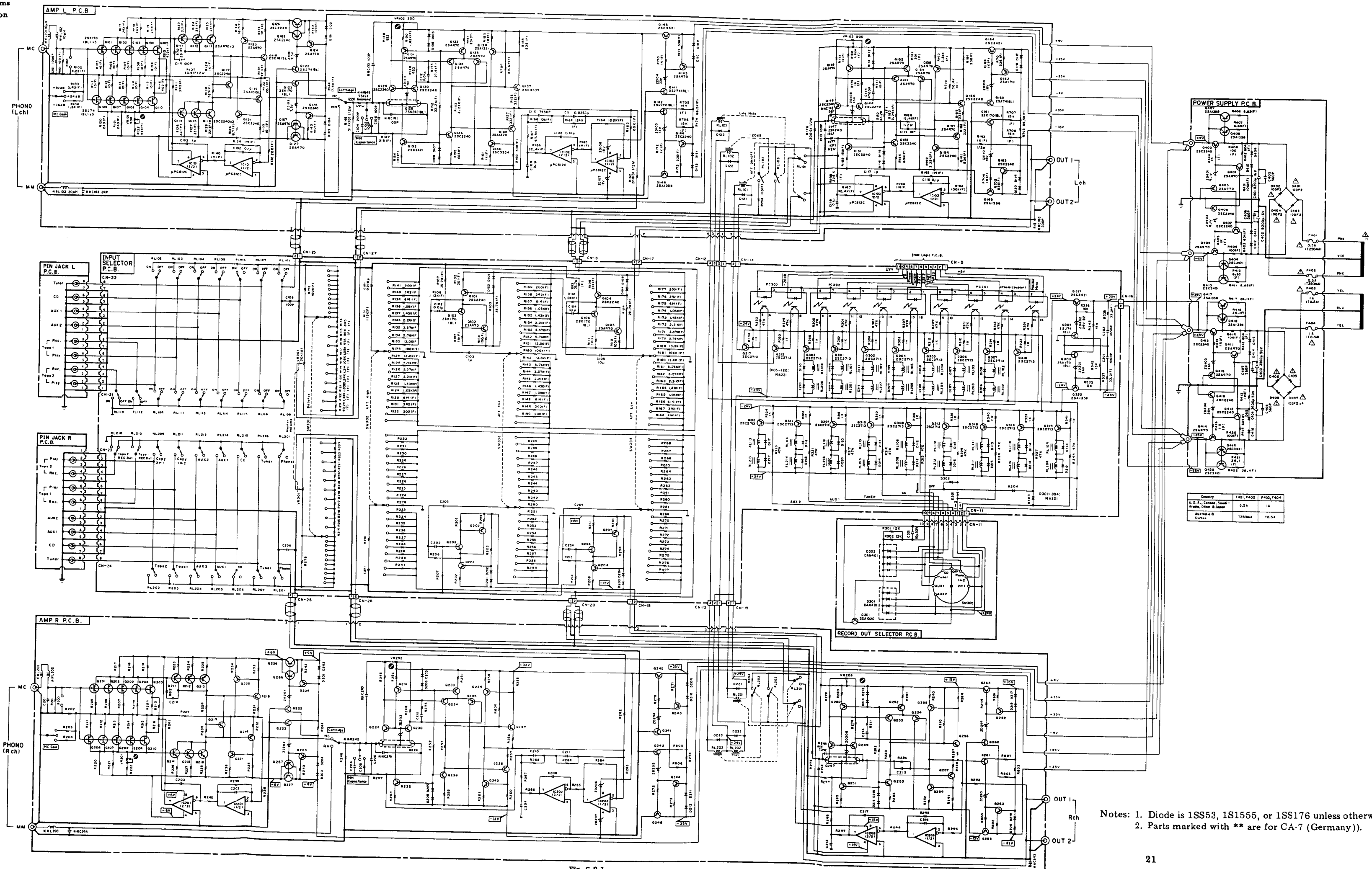


Fig. 6.2.1

6.2.2. Control Section

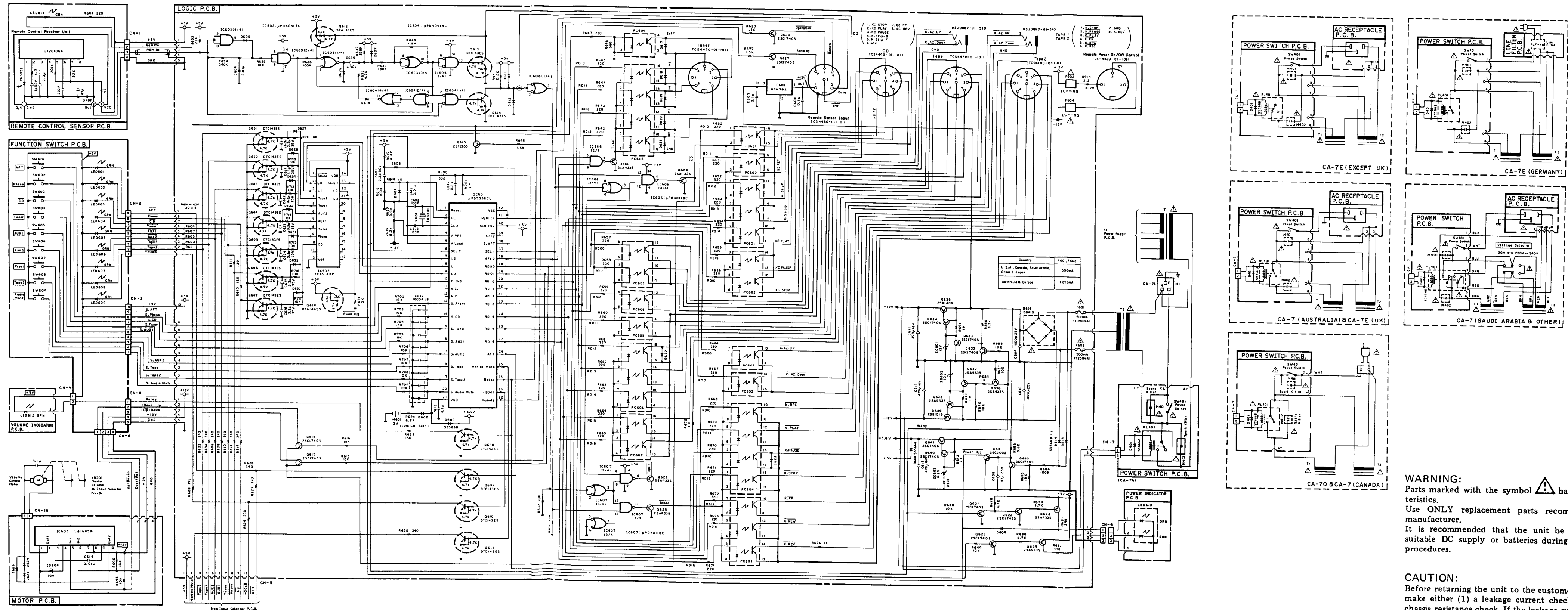


Fig. 6.2.2

Note: Diode is 1SS53, 1S1555, or 1SS176 unless otherwise specified.

**WARNING:**  
Parts marked with the symbol have critical characteristics. Use ONLY replacement parts recommended by manufacturer. It is recommended that the unit be operated from suitable DC supply or batteries during initial check-procedures.

**CAUTION:**  
Before returning the unit to the customer, make sure to make either (1) a leakage current check or (2) a line chassis resistance check. If the leakage current exceeds milliamp, or if the resistance from chassis to either side the power cord is less than 240 kohms, the unit is defective.  
**WARNING — DO NOT** return the unit to the customer until the problem is located and corrected.