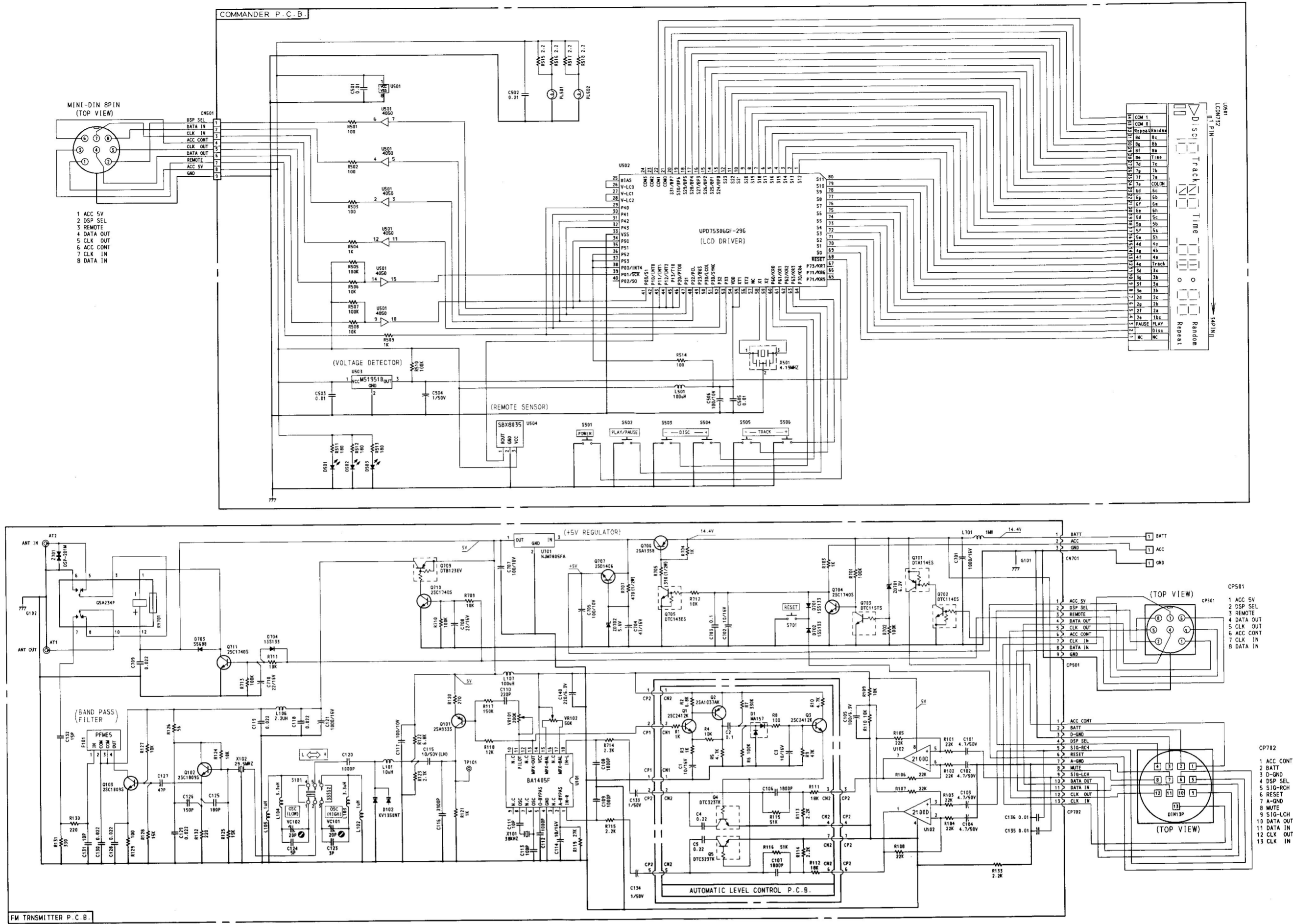
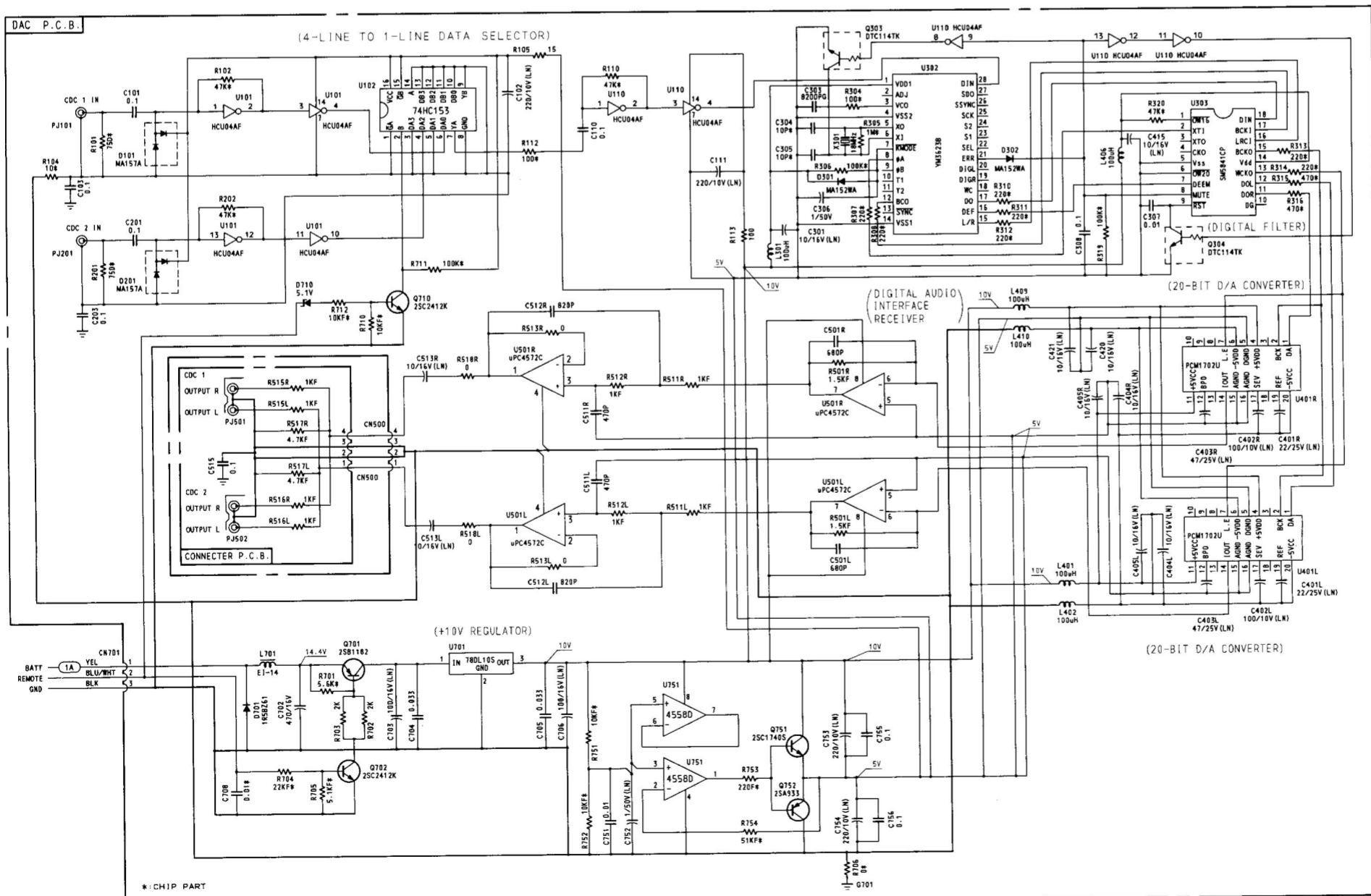


● FM MODULATOR (MF-31FM ONLY)



● DAC-41



NOTE: Description of electrolytic capacitor: 100/16V = 100μ 16V

