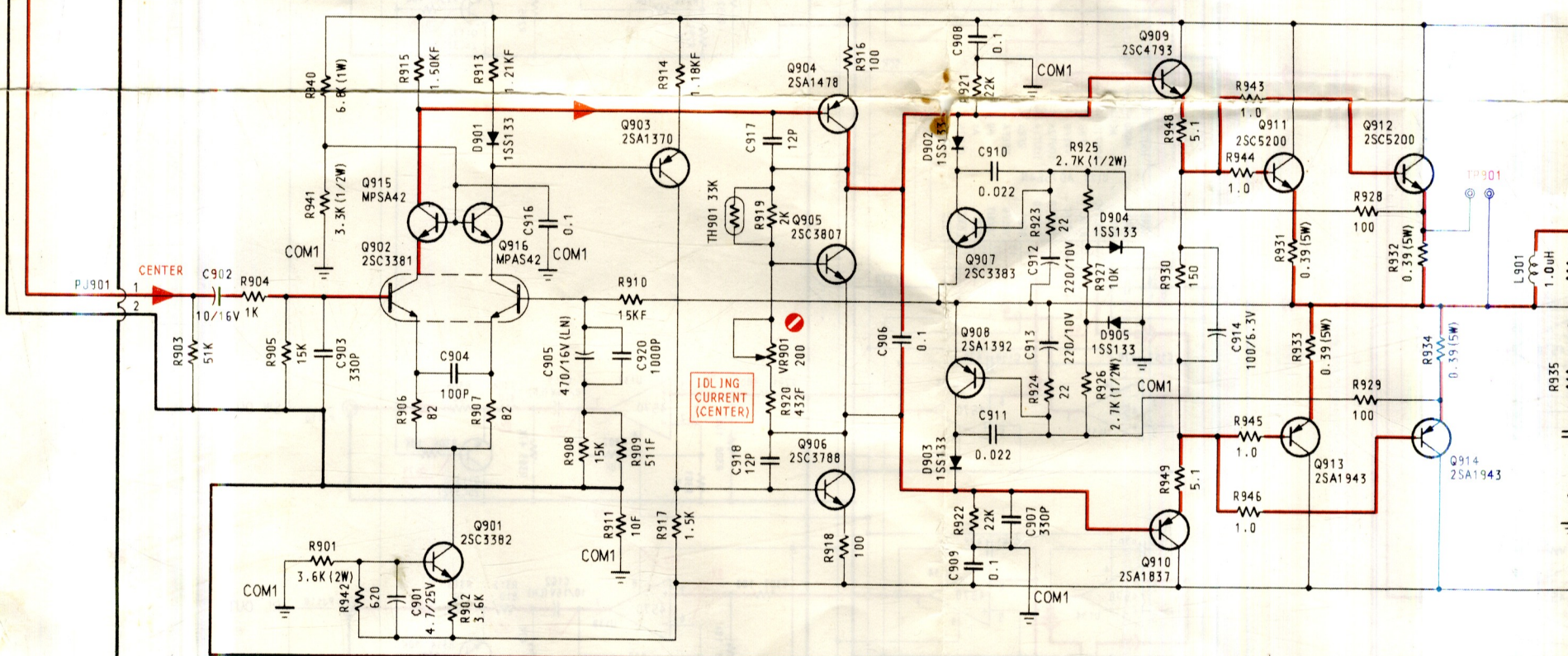
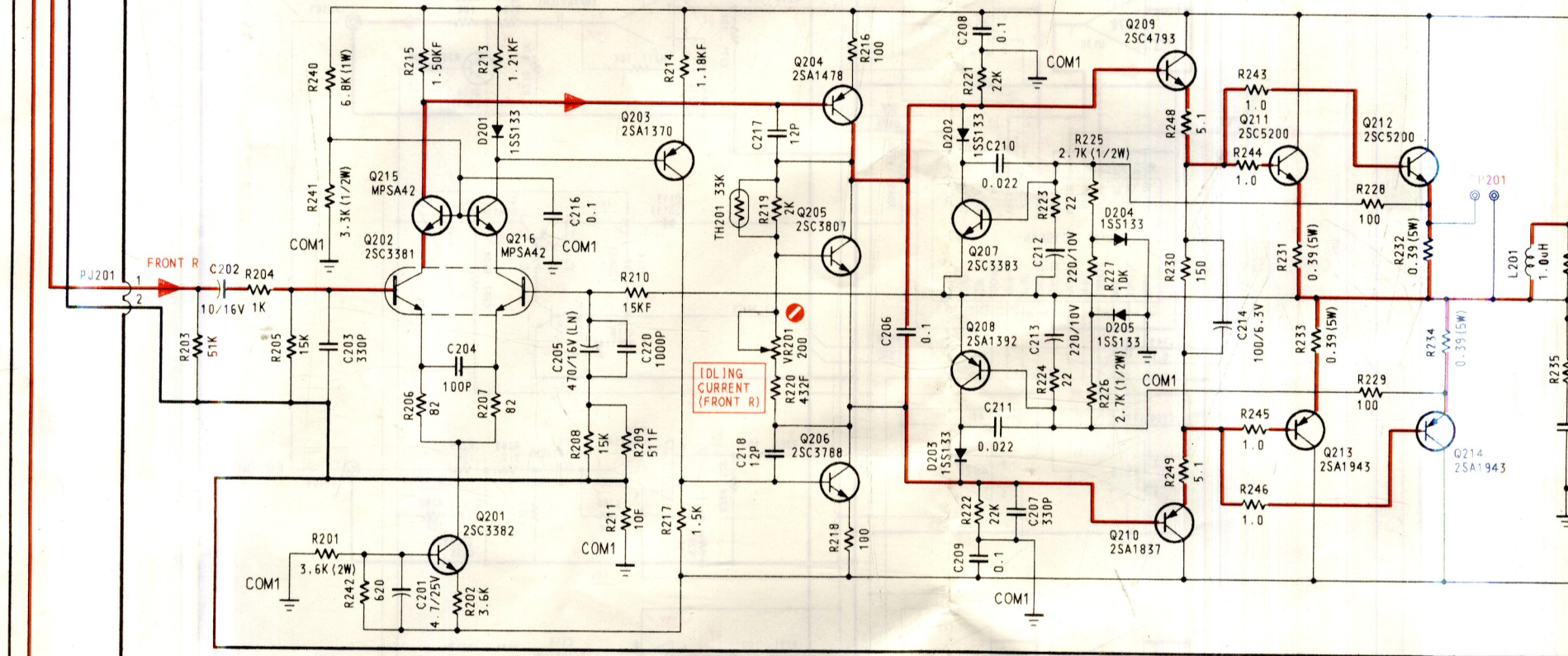
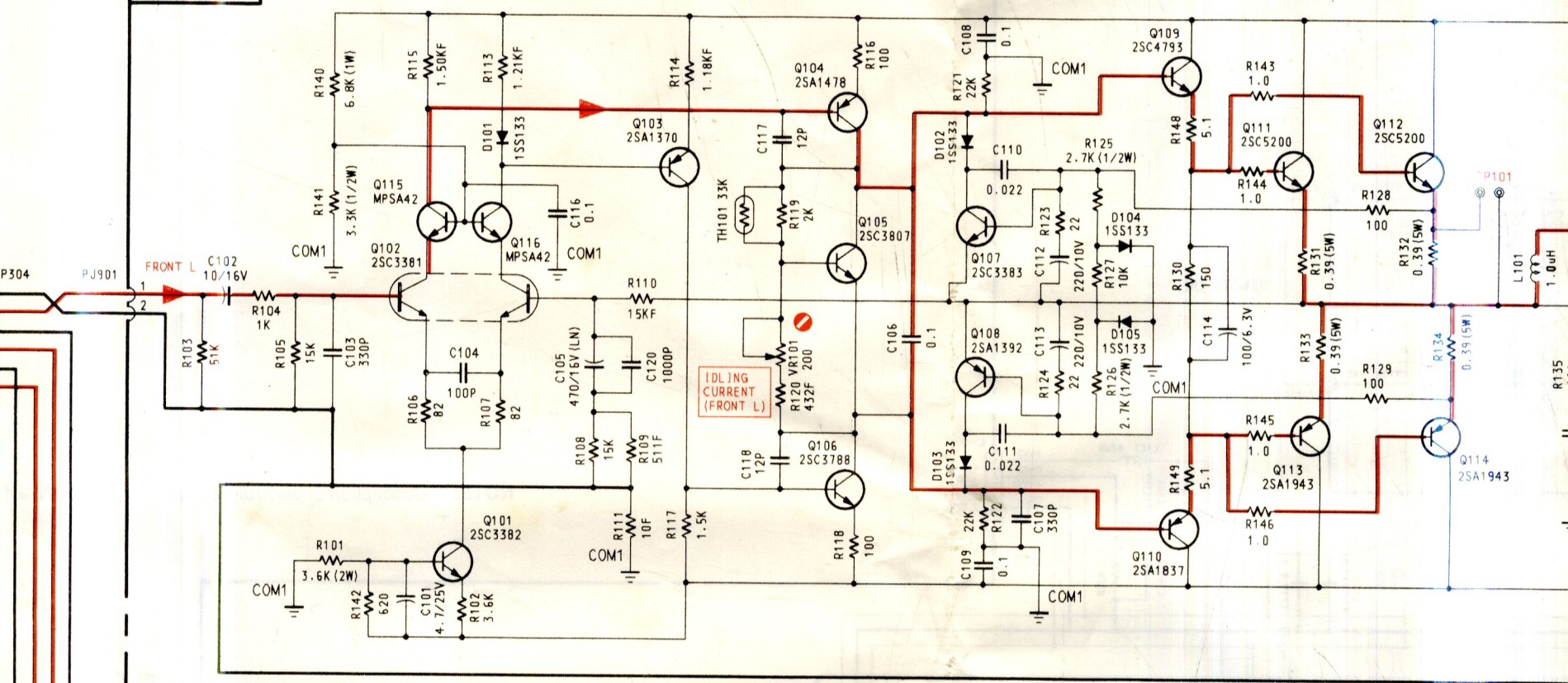
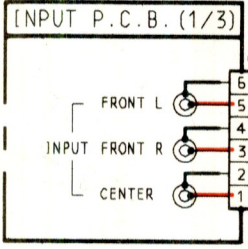
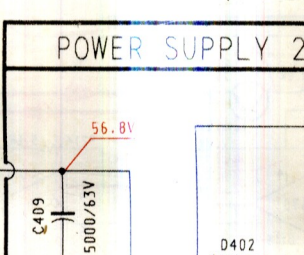
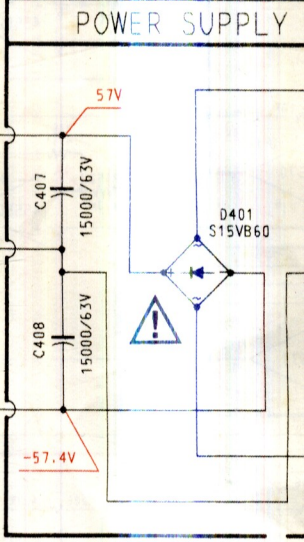
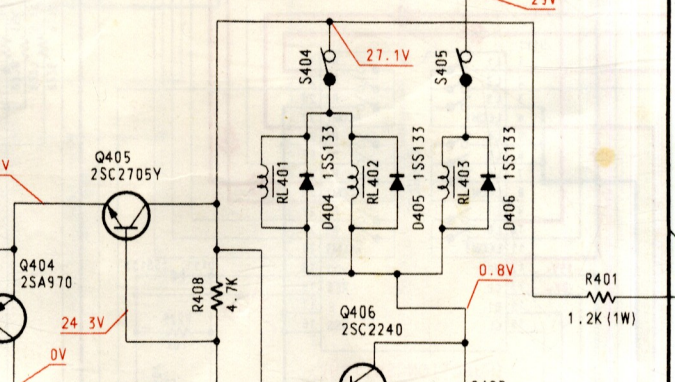
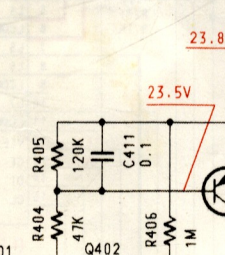
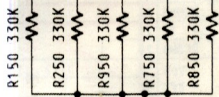
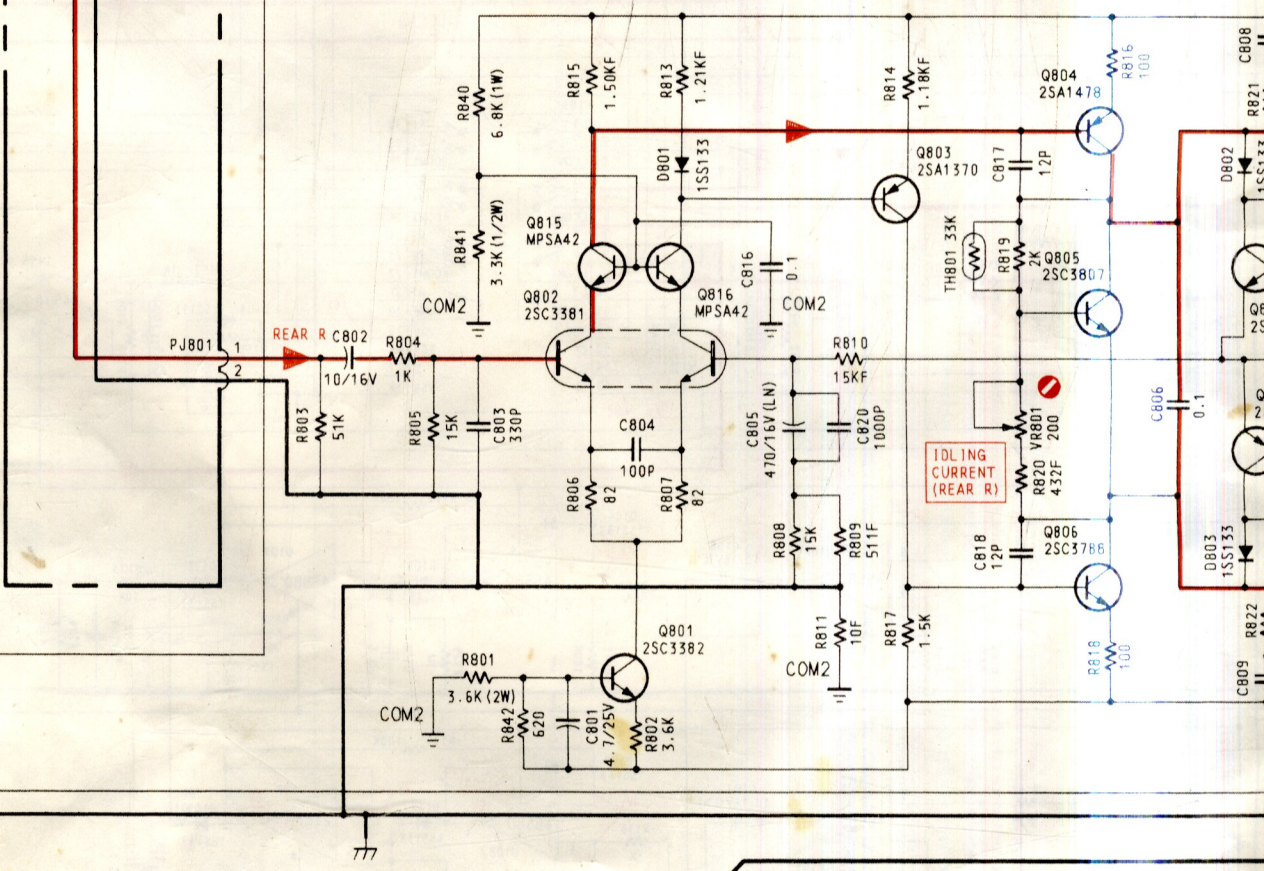
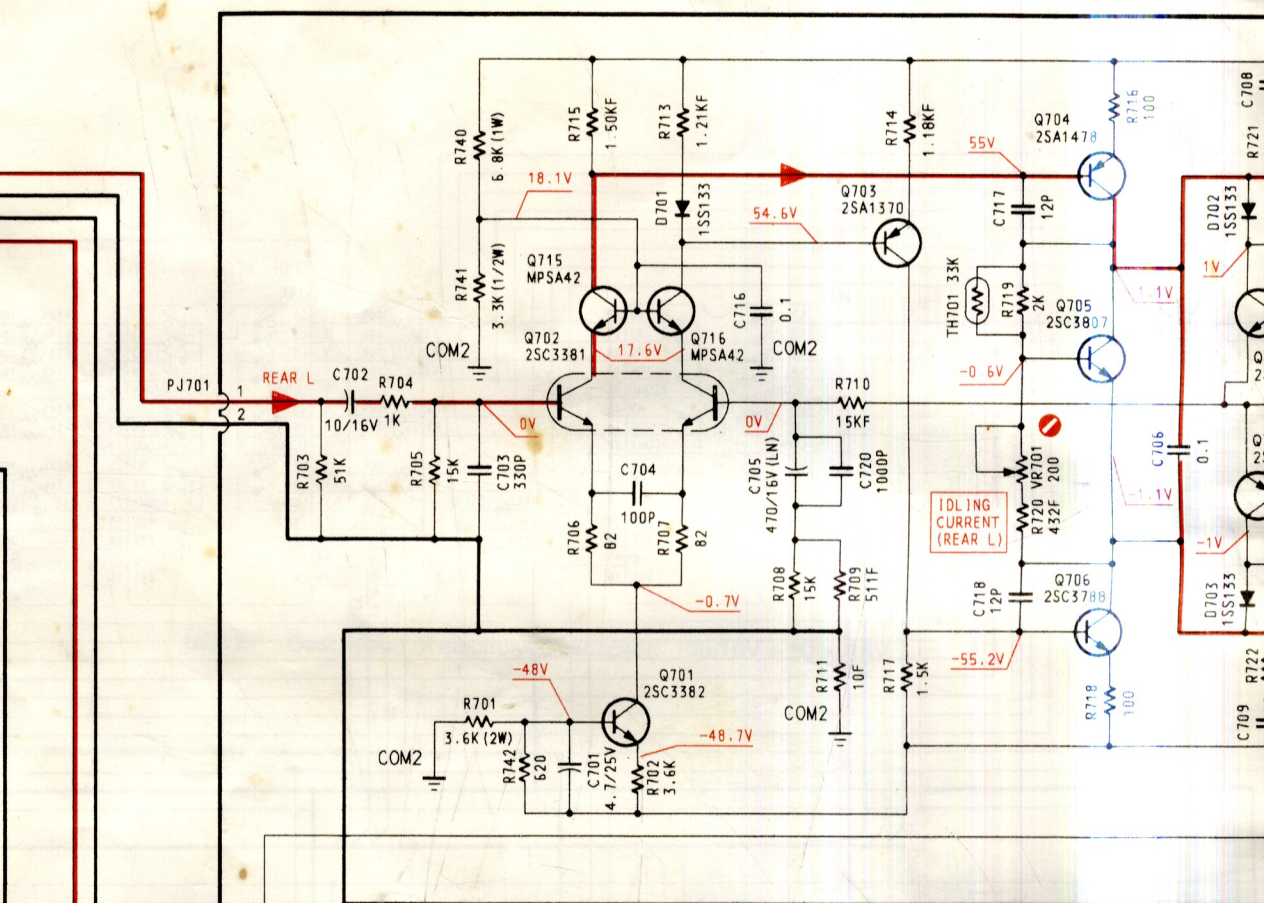
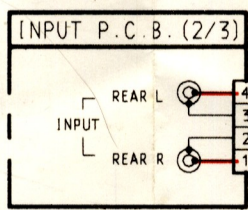
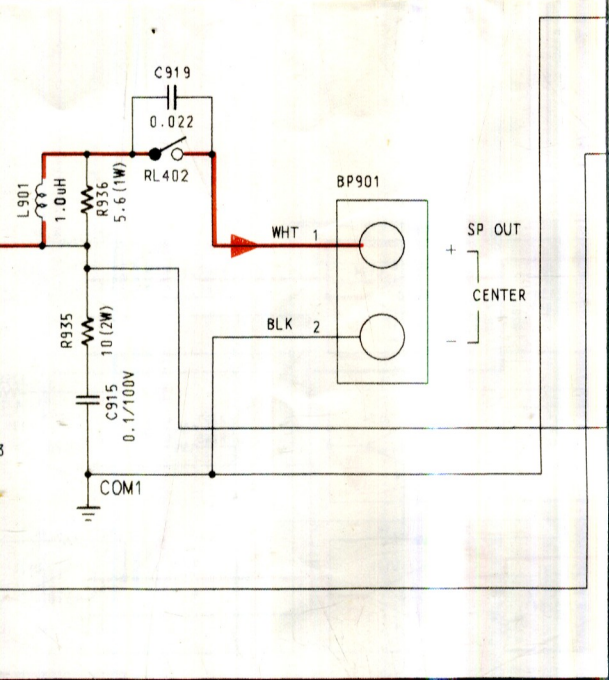
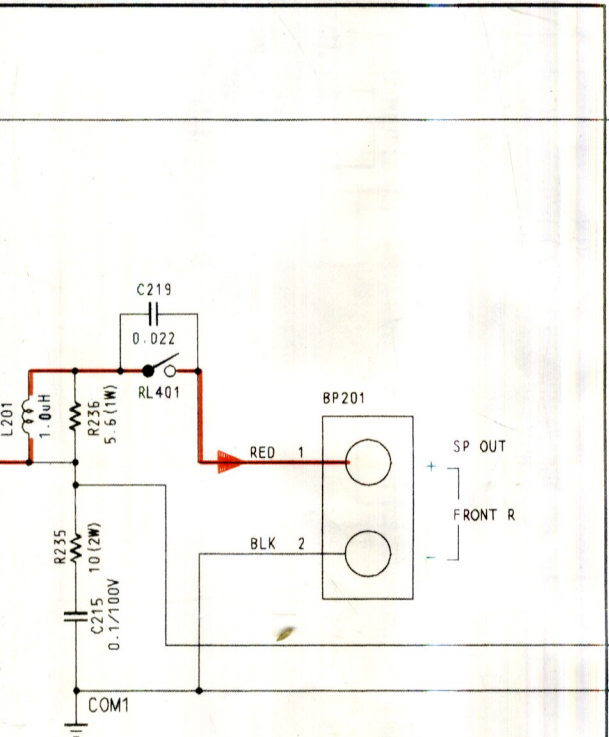
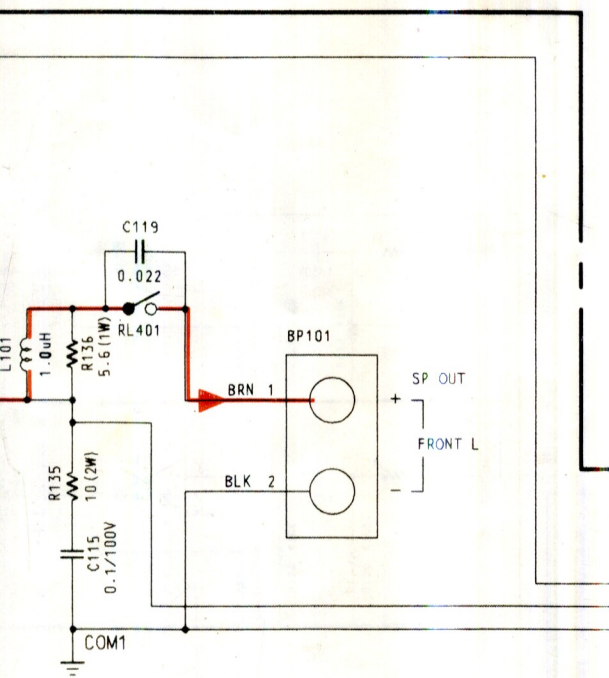
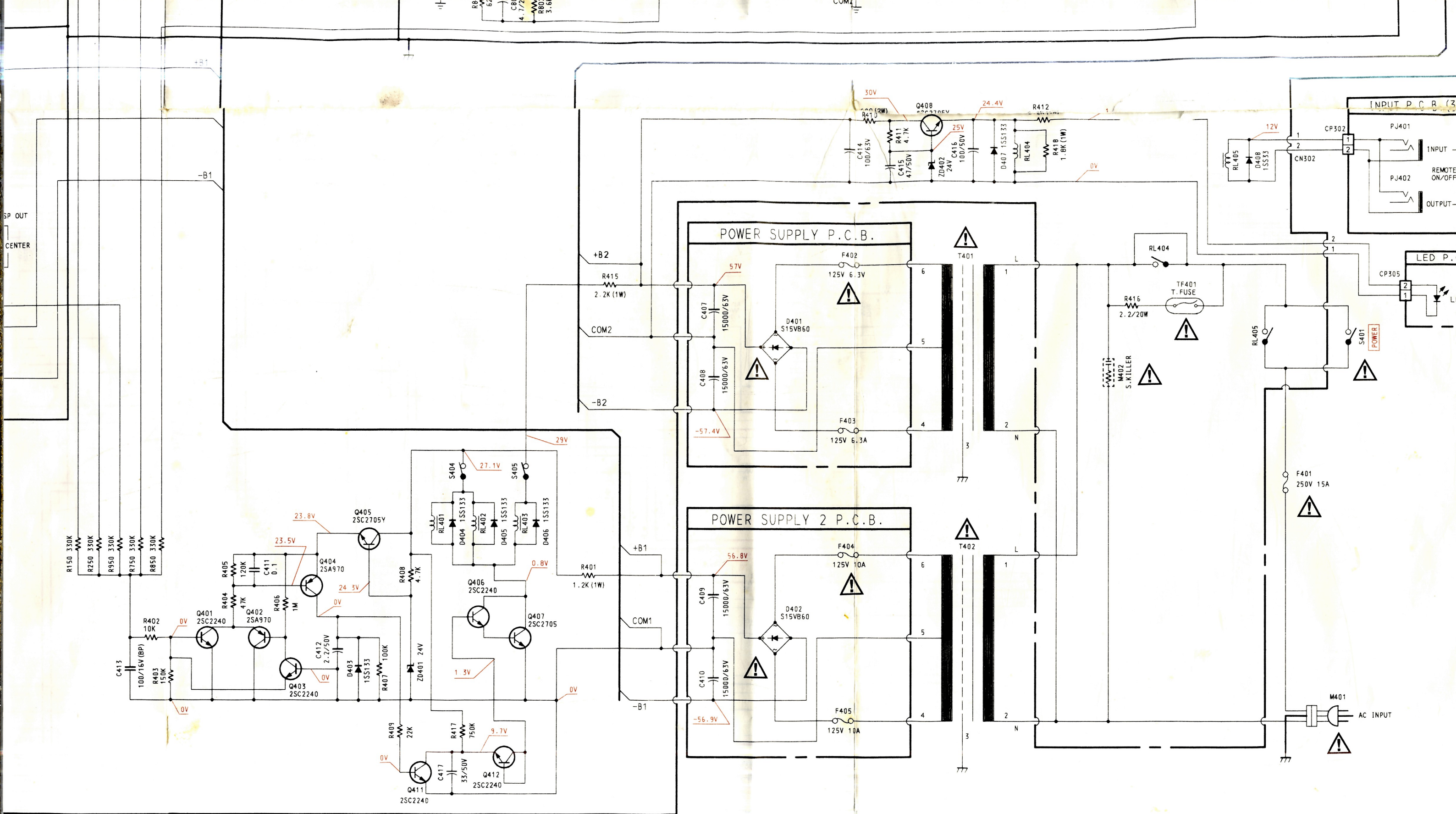



● PA-1

MAIN P.C.B.







WARNING:
 Parts marked with the symbol  in the schematic diagram have critical characteristics. Use ONLY replacement parts recommended by the manufacturer. It is recommended that the unit be operated from a suitable DC supply or batteries during initial check-out procedures.

NOTE: Description of electrolytic capacitor: 100/16V = 100μ 16V