



Service Manual

Nakamichi

PA-5 PA-5E

Power Amplifier



CONTENTS

1. General	1
2. Parts Location for Electrical Adjustment	2
3. Electrical Adjustments	2
3. 1. Preparation for Adjustment	2
3. 2. Idling Current Adjustment	2
4. Mechanism Ass'y and Parts List	3
4. 1. Synthesis	4
4. 2. Front Panel Ass'y (A01)	4
4. 3. Rear Panel Ass'y (A02)	5
5. Mounting Diagrams and Parts List	5
5. 1. Clipping LED P.C.B. Ass'y	5
5. 2. Power LED P.C.B. Ass'y	5
5. 3. Limiter P.C.B. Ass'y	5
5. 4. Amp. L P.C.B. Ass'y	6
5. 5. Amp. R P.C.B. Ass'y	7
6. Schematic Diagram	8
7. Wiring Diagram	9
8. Block Diagram	9
9. Specifications	10

1. GENERAL

1.1. Voltage Selector

Voltage selector is installed on the rear panel for Other version of the Nakazichi PA-5.
This voltage selector can select 110 V, 120 V, 220 V or 240 V at customer's disposal.

1.2. Packing Materials, Owner's Manual and Auxiliary Parts

Part No.	Description	Qty
OF03904A	Outer Carton PA-5	1
OF03906A	Outer Carton PA-5E	1
OF03903A	Inner Carton PA-5	1
OF03905A	Inner Carton PA-5E	1
OF03908A	Packing	2
OD04531A	Owner's Manual (English)	1
OD04530A	Owner's Manual (English/German/French)	1
OB90137A	Power Cord PA-5 (U.S.A. & Others)	1
OB90139A	Power Cord PA-5 (Australia)	1
OB90138A	Power Cord PA-5E (Europe)	1
OB90154A	Power Cord PA-5E (Switzerland)	1
OB90140A	Power Cord PA-5E (UK)	1
OF03887A	Power Cord Band	1
OB90164A	Fuse 6A PA-5 (U.S.A., Canada & Others)	1
OB90166A	Fuse T2.5A PA-5 (Australia) & PA-5E	1

2. PARTS LOCATION FOR ELECTRICAL ADJUSTMENT

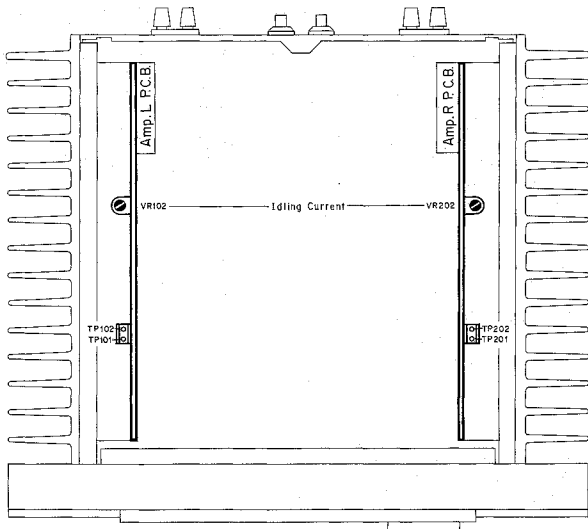


Fig. 2

3. ELECTRICAL ADJUSTMENTS

3.1. Preparation for Adjustment

- (1) Insert shorting pins into the Input Jacks.
- (2) Remove loads of the speaker terminals.
- (3) Before starting adjustment, allow twenty minutes or more after power is turned ON. In this case, the Tape Cover must be installed.

3.2. Idling Current Adjustment

- (1) Connect a DC voltmeter between TP101 and TP102 (TP201 and TP202) on the Amp. L (R) P.C.B. Assy.
- (2) Adjust VR102 (VR202) to obtain 40 mV on the DC voltmeter (Idling current: 40 mA).
- (3) Remove shorting pins from the Input Jacks.

4. MECHANISM ASS'Y AND PARTS LIST

Schematic Ref. No.	Part No.	Description	Qty	Schematic Ref. No.	Part No.	Description	Qty
		Synthesis Serial No.: B20701001 -		A01	HA04920A HA04921A	Front Panel Ass'y PA-5 Front Panel Ass'y PA-5E Serial No.: B20701001 -	1 1
01	HA04920A	Front Panel Ass'y PA-5	1				
	HA04921A	Front Panel Ass'y PA-5E	1				
02	BA0588A	Clipping LED P.C.B. Ass'y	2	01	0K04754A	Sub Front Panel	1
03	BA05687A	Power LED P.C.B. Ass'y	1	02	0H04681A	Lens A	2
04	0J05097A	Front Chassis	1	03	0E04753A	Front Panel PA-5	1
05	0B71004A	Power Switch	1		0H04766A	Front Panel PA-5E	1
06	0J05095A	Cushion A	2	04	HA04849A	Power Switch Knob Ass'y	1
07	BA05897A	Limitier F.C.B. Ass'y PA-5 (U.S.A. & Canada)	1	05	0J05000B	Power Switch Spring	1
	BA05898A	Limitier F.C.B. Ass'y PA-5 (Australia & Others) & PA-5E	1	06	0H04652B	Power Switch Guide	1
				07	0H04653B	Lens B	1
				L01	0E00866A	M2.6x4 @ Binding	5
08	0H04769A	Heat Sink LF	1				
09	0J05096A	Cushion B	2				
10	0H04768A	Side Cover L	1				
11	0H04760A	Heat Sink LR	1				
12	0J05101A	Upper Channel L	1				
13	0J05099A	Lower Channel L	1				
14	0J05103A	P.C.B. Holder	2				
15	BA05868A	Amp. L P.C.B. Ass'y	1				
16	0H04762A	Top Cover	1				
17	0J05094A	Cushion C	4				
18	0J05098A	Ground Plate	1				
19	0B12253A	Diode Bridge 15G4B41	1				
20	0B50061A	Power Transformer PA-5 (U.S.A. & Canada)	1				
	0B50062A	Power Transformer PA-5 (Others)	1				
	0B50062A	Power Transformer PA-5 (Australia & PA-5E)	1				
21	0B40366A	Electrolytic Capacitor 47000uF 80V	2				
22	0H04765A	Bottom Chassis	1				
23	0J05104A	Leg	4				
24	0H04761A	Heat Sink RF	1				
25	0H04764A	Side Cover R	1				
26	0H04762A	Heat Sink RR	1				
27	0J05100A	Lower Channel R	1				
28	0J05102A	Upper Channel R	1				
29	BA05969A	Amp. R P.C.B. Ass'y	1				
30	0M04377B	Caution Label	1				
31	HA04926A	Rear Panel Ass'y PA-5 (U.S.A.)	1				
	HA04923A	Rear Panel Ass'y PA-5 (Others)	1				
	HA04924A	Rear Panel Ass'y PA-5 (Australia)	1				
	HA04925A	Rear Panel Ass'y PA-5E	1				
	HA04954A	Rear Panel Ass'y PA-5 (Canada)	1				
32	0B70049A	Voltage Selector PA-5 (Others)	1				
33	0B08515A	Insu-Lock	20				
L01	0E00921A	BT 3x3 @ Binding (Black Chromate)	7				
L02	0E00668A	BT 3x8 @ Binding	8				
L03	0E00857A	BT 3x6 @ Binding	2				
L04	0E00896A	M 3x6 @ Binding	2				
L05	0E00970A	M 3x4 @ Binding (Black Chromate)	14				
L06	0E00688A	BT 3x12 @ Binding	4				
L07	0E03290A	M 4x15 @ Binding (Bronze)	29				
L08	0E03030A	M 3x6 @ Binding (Nickel)	4				
L09	0E00713A	M 3x6 @ Trias (Bronze)	9				
L10	0E0325A	M 4x8 @ Binding (Gold Plated)	5				
L11	0E03287A	M 4x6 @ Binding (Gold Plated)	4				
L12	0E03385A	M 5x6 @ Binding (Black Chromate)	4				
L13	0E03296A	M 4x4 @ Binding (Black Chromate)	7				
L14	0E00852A	BT 4x12 @ Binding (Black Chromate)	4				
L15	0E03386A	Nut Hex. M5 (Black Chromate)	4				
L16	0E00594A	M 3x8 @ Binding (Bronze)	4				
L17	0E00818A	M 3x8 @ Binding (Black Chromate) (PA-5 (Others))	2				
-	0E00752A	Eyelet 2x3 PA-5 (Canada)	2				

4.1. Synthesis

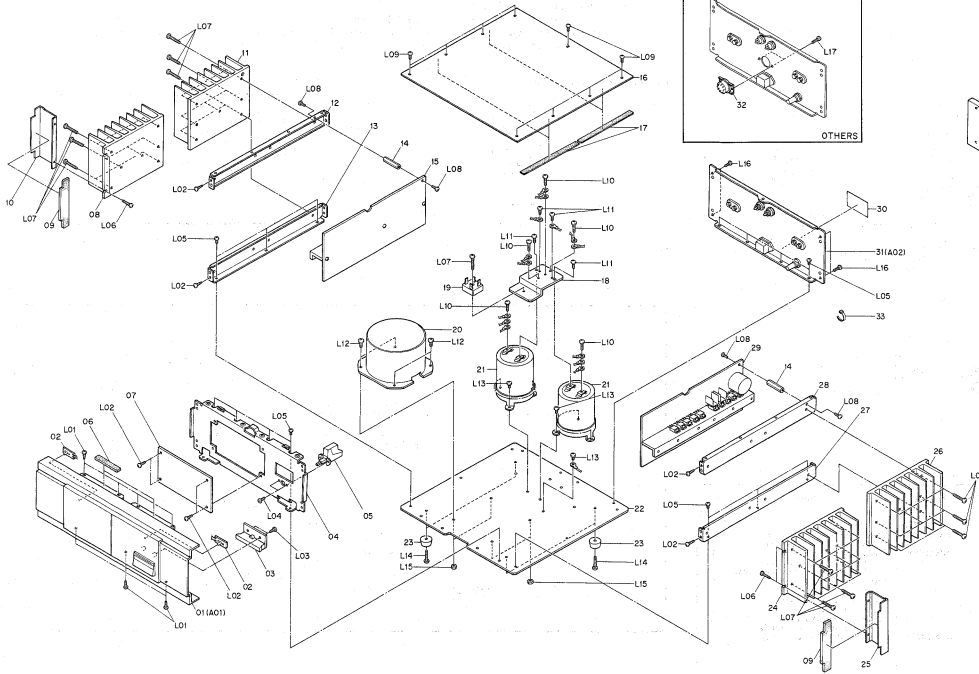


Fig. 4.1

4.2. Front Panel Assy (A01)

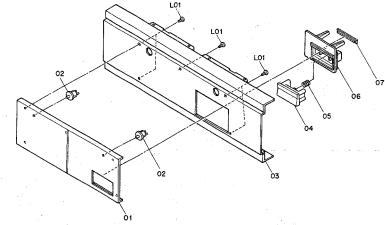


Fig. 4.2

4.3. Rear Panel Assy (A02)

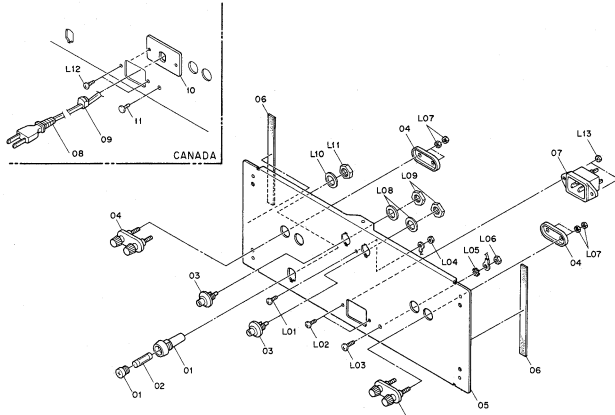


Fig. 4.3

Schematic Ref. No.	Part No.	Description	Q'ty	Schematic Ref. No.	Part No.	Description	Q'ty
A02	HA04926A	Rear Panel Assy PA-5 (U.S.A.)	1	L04	0E00972A	Nut Hex. M3	1
	HA04923A	Rear Panel Assy PA-5 (Others)	1	L05	0E00078A	Washer 4mm Toothed-Lock	1
	HA04924A	Rear Panel Assy PA-5 (Australia)	1	L06	0E00506A	Nut Hex. M4	1
	HA04925A	Rear Panel Assy PA-5E	1	L07	—	Nut for Speaker Output Terminal	8
HA04954A	Rear Panel Assy PA-5 (Canada)	1	L08	—	Washer for Pin Jack	2	
01	0B90093A	Fuse Holder PA-5 (U.S.A., Canada & Others)	1	L09	—	Nut for Pin Jack	2
	0B90094A	Fuse Holder PA-5 (Australia) & PA-5E	1	L10	—	Washer for Fuse Holder	1
	0B90164A	Fuse 6A PA-5 (U.S.A., Canada & Others)	1	L11	—	Nut for Fuse Holder	1
	0B90166A	Fuse T2.5A PA-5 (Australia) & PA-5E	1	L12	0E00921A	BT3x8 Binding (Black Chromate) PA-5 (Canada)	2
03	0B81364A	Pin Jack	2	L13	0E00507A	Nut Hex. M3 PA-5 (U.S.A.)	2
	0B81365A	Speaker Output Terminal	1				
	0H04710A	Rear Panel PA-5 (U.S.A.)	1				
	0H04756A	Rear Panel PA-5 (Others)	1				
05	0H04757A	Rear Panel PA-5 (Australia)	1				
	0H04758A	Rear Panel PA-5E	1				
	0H04759A	Rear panel PA-5 (Canada)	1				
	0H04768A	Rear Panel Assy PA-5E	2				
06	0B90092A	AC Inlet PA-5 (U.S.A.)	1				
	0B90087A	AC Inlet PA-5 (Australia) & Others) & PA-5E	1				
	0B90156A	Power Cord PA-5 (Canada)	1				
08	0B90157A	Cord Bushing PA-5 (Canada)	1				
	0H04775A	Bushing Holder PA-5 (Canada)	1				
	11	Plug PA-5 (Canada)	1				
	L01	M3x8 Binding (Bronze)	1				
L02	0E00594A	M3x8 Binding (Black Chromate)	2				
	0E00818A	M3x8 Binding (Black Chromate) (except PA-5 (Canada))	2				
L03	0E03058A	M4x8 Binding (Black Chromate) (except PA-5 (Canada))	1				

5. MOUNTING DIAGRAMS AND PARTS LIST

- Mounting diagram shows a dip side view of the printed circuit board.
- Diode is 1SS53, 1S1555, or 1SS176 unless otherwise specified.
- Abbreviation for part name:

TR - Transistor, SID - Silicon Diode, ZD - Zener Diode
 RK - Carbon Resistor, RM - Metal Film Resistor, RF - Fail Safe Type Resistor, RC - Cement Resistor
 CE - Electrolytic Capacitor, CM - Mylar Capacitor, C - Mica Capacitor

5.1. Clipping LED P.C.B. Assy



Fig. 5.1

5.2. Power LED P.C.B. Assy

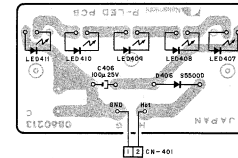


Fig. 5.2

5.3. Limiter P.C.B. Assy

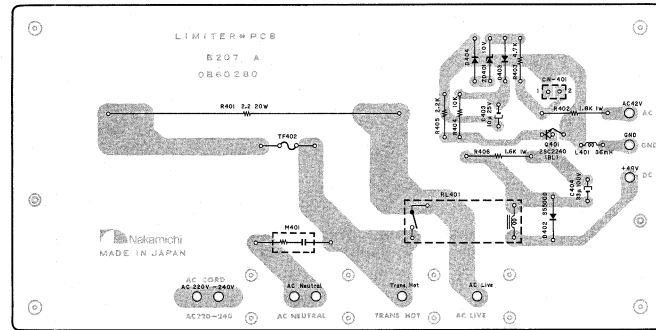


Fig. 5.3

Schematic Ref. No.	Part No.	Description	Schematic Ref. No.	Part No.	Description	Schematic Ref. No.	Part No.	Description
LED001	EA05688A	Clipping LED P.C.B. Assy	D406 410,411 408,409 C406	BA05687A	Power LED P.C.B. Assy	BA05897A BA05898A	BA05897A	Limiter F.C.B. Assy PA-5 (U.S.A. & Canada)
	0B60214A	LED Red		0B0213C	Power LED P.C.B. SID S500D		BA05898A	Limiter F.C.B. Assy PA-5 (Australia & Others) & PA-5E
	0B12280B	LED Cord		0B12252A	LED Green			
	0B2418A	LED Cord		0B01272A	CE 100u 25V		0B06280A	Limiter P.C.B. TR 25C2240 (BL)
				0B2493A	Power LED Cord		0B06142A	TR 25C2240 (BL)
				0J04998B	Power Reflector (1)		0B06232A	ZD 10V ED10E33
				0M0910C	Sheet		0B12252A	SID S5000D
				0E00857A	BT3x6 Binding		0B06181A	SID 15553
							0E03819C	Inductor 60MH
							R401	RC 2.2 20W K
							R402	RF 1.8K 1W J

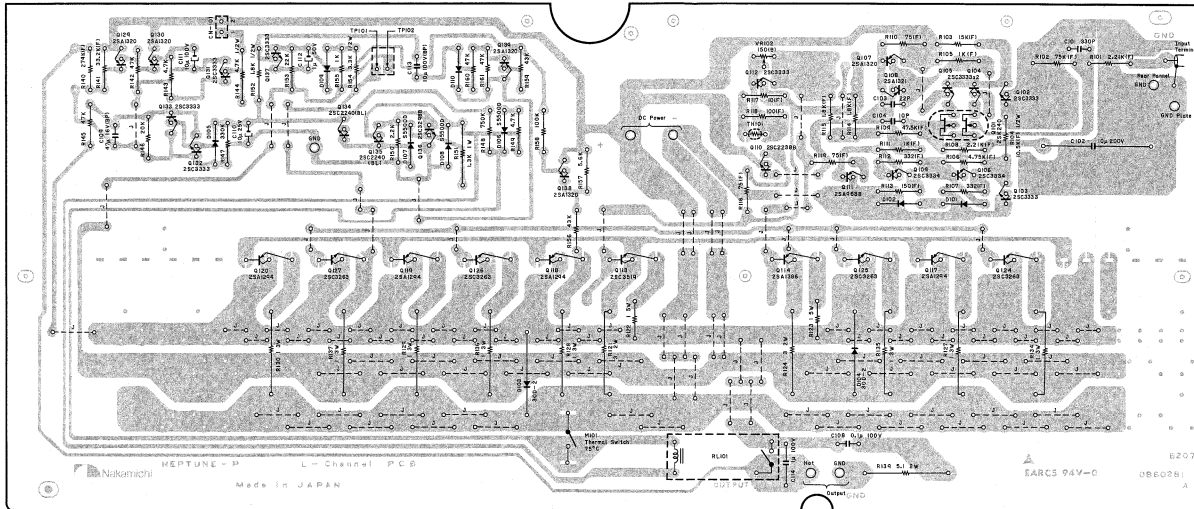


Fig. 5.4

Schematic Ref. No.	Part No.	Description	Schematic Ref. No.	Part No.	Description	Schematic Ref. No.	Part No.	Description	Schematic Ref. No.	Part No.	Description		
R403	OB01846A	RK 4.7K 1/4W J	BA0968A	Amp. L.P.C.B. Assy	R108	OB09547A	RM 2.21K 1/4W F	R158	OB01889A	RK 100K 1/4W J	Q114	OB10136A	TR 2SA1386
R404	OB01888A	RK 10K 1/4W J	OB06281A	Amp. L.P.C.B.	R109	OB22638A	RM 47.5K 1/4W F	C101	OB41541A	C 330P 100V J	Q117-120	OB10098A	TR 2SA1294 (4)
R405	OB06222A	RK 2.2K 1/4W J	OB06257A	FET 2SK240	R110,116	OB22632A	RM 75 1/4W F	C102	OB41538A	CM 150 200V K	Q124-127	TR 2SC3263 (4)	
R406	OB24091A	RF 1.6K 1W J	(GR. 100 V)		119			C103	OB41539A	C 22P 50V J	TH101	OB19003A	Thermistor 102P
C403	OB01674A	CE 10u 25V	OB10103A	TR 2SC8333	R111	OB22633A	RM 150 1/4W F	C104	OB41538A	C 10P 50V J		OB09145B	Heat Sink (1)
C404	OB40341A	CE 33u 100V	(9)		R114,115	OB09559A	RM 1.8K 1/4W F	C108	OB4137A	CM 0.1u 100V J		OB0147B	Sheet A (1)
RL401	OB09083A	Relay 10A 250VAC			R117	OB22666A	RM 10 1/4W F	C109	OB40321A	CE 47u 16V (BP)		OB01175A	Sheet B (1)
M401	OB08442A	Spark Killer PA-5 (U.S.A. & Canada)			R118	OB22667A	RM 100 1/4W F	C110	OB41538A	CE 10u 25V		OB0138A	Mix 10 @ Binding (Nickel) (11)
M401	OB08445A	Spark Killer PA-5 (Australia & Others) & PA-5E	OB10143A	TR 2SC3334	R121,124	OB24058A	RF 3 2W J	C111	OB40330A	CE 10u 100V			
			OB10102A	TR 2SA1320	R122,123	OB24064A	RC 1 SW K	C112	OB01400A	CE 1u 50V			
			Q108,109		R127-130	OB24092A	RF 1 SW K	C113	OB40371A	CE 1u 50V			
			130,138		134-137			C114	OB4159A	CM 1u 100V (BP)			
			139		R139	OB24059A	RF 5.1 2W J	RL101	OB90083A	CM 1u 100V J			
TF2	OB08715A	Thermal Fuse 129	OB10142A	TR 2SA1321	R140	OB09752A	RM 274K 1/4W F	M101	OB90084A	Relay 10A 250VAC			
CN401	OB01366A	2P-8 Post	OB09142A	TR 2SC2240 (BL)	R141	OB09446A	RM 33.2K 1/4W F		OB1366A	Thermal Switch 75°C			
	OB09059A	Spark Killer Cover PA-5 (Australia & Others) & PA-5E	OB10145A	TR 2SC3298B	R142,145	OB05641A	RK 47K 1/4W J		OE00754A	2P-8 Post			
			D101,102	SID 135S3	150,151					Mix 8 @ Pan (3)			
			103,109		R143,149			Q110	OB10101A	TR 2SC2238B			
			110		R144	OB01846A	RK 4.7K 1/4W J		OB90173A	Heat Sink TO-220			
D105,104	Q138	Q134,135	OB06458A	SID 30D-2	R146	OB24062A	RF 4.7K 1/2W J			(Nickel) (1)			
D106,107	Q139	Q136	OB12252A	SID S5500D	R147	OB09737A	RM 330K 1/4W J		OE00966A	Mix 5 @ Binding (Nickel) (1)			
108	VR102	R102	OB32052A	Potentiometer 150	R148	OB09755A	RK 750K 1/4W J	Q111	OE00972A	Nut Hex, M8 (1)			
R102	R102	R102	OB09622A	RM 75K 1/4W F	R150	OB05622A	RK 2.2K 1/4W J		OB10100A	TR 2SA968B (3)			
R103	R103	R103	OB09340A	RM 15K 1/4W F	R151	OB24090A	RF 1.3K 1W J		OB90173A	Heat Sink TO-220			
R106	R106	R106	OB23270A	RM 10.5K 1/2W F	R152	OB24081A	RF 1.8K 1/2W J			(Nickel) (1)			
R105,111	R105	R105	OB09491A	RM 1K 1/4W F	R153	OB06155A	RK 22K 1/4W J		OE00966A	Mix 5 @ Binding (Nickel) (1)			
R106	R106	R106	OB08424A	RM 4.75K 1/4W F	R154	OB24089A	RF 5.3K 1/2W J	Q112	OE00972A	Nut Hex, M3 (1)			
R107,112	R107	R107	OB09760A	RM 332 1/4W F	R155	OB01857A	RK 1K 1/4W J	Q113	OB10137A	TR 2SC3519			
					R156,159	OB09760A	RF 43K 1/4W J						
					R157	OB01887A	RK 5.6K 1/4W J						

5.5. Amp. R.F.C.B. Assy

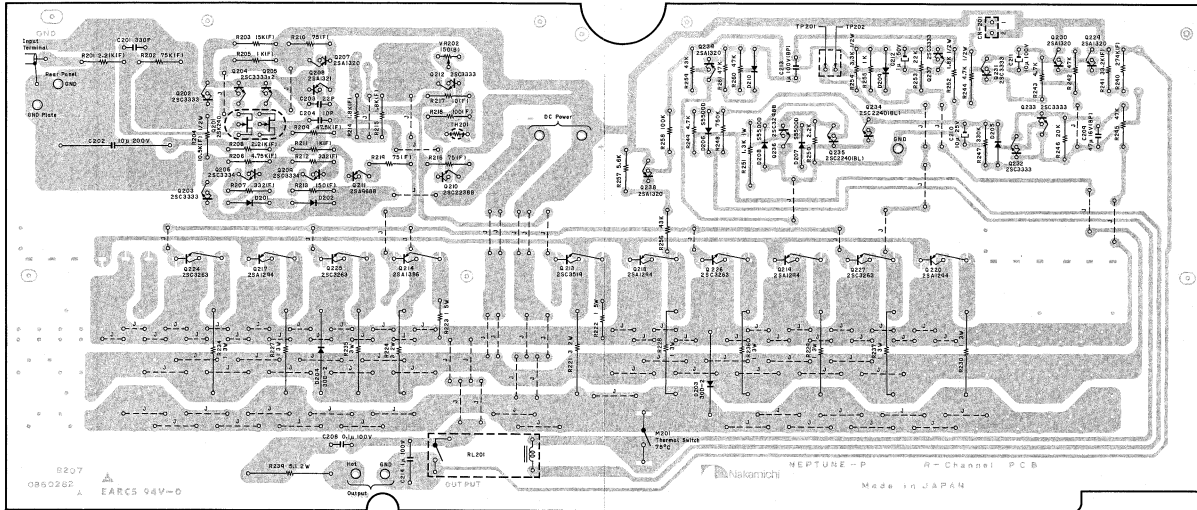
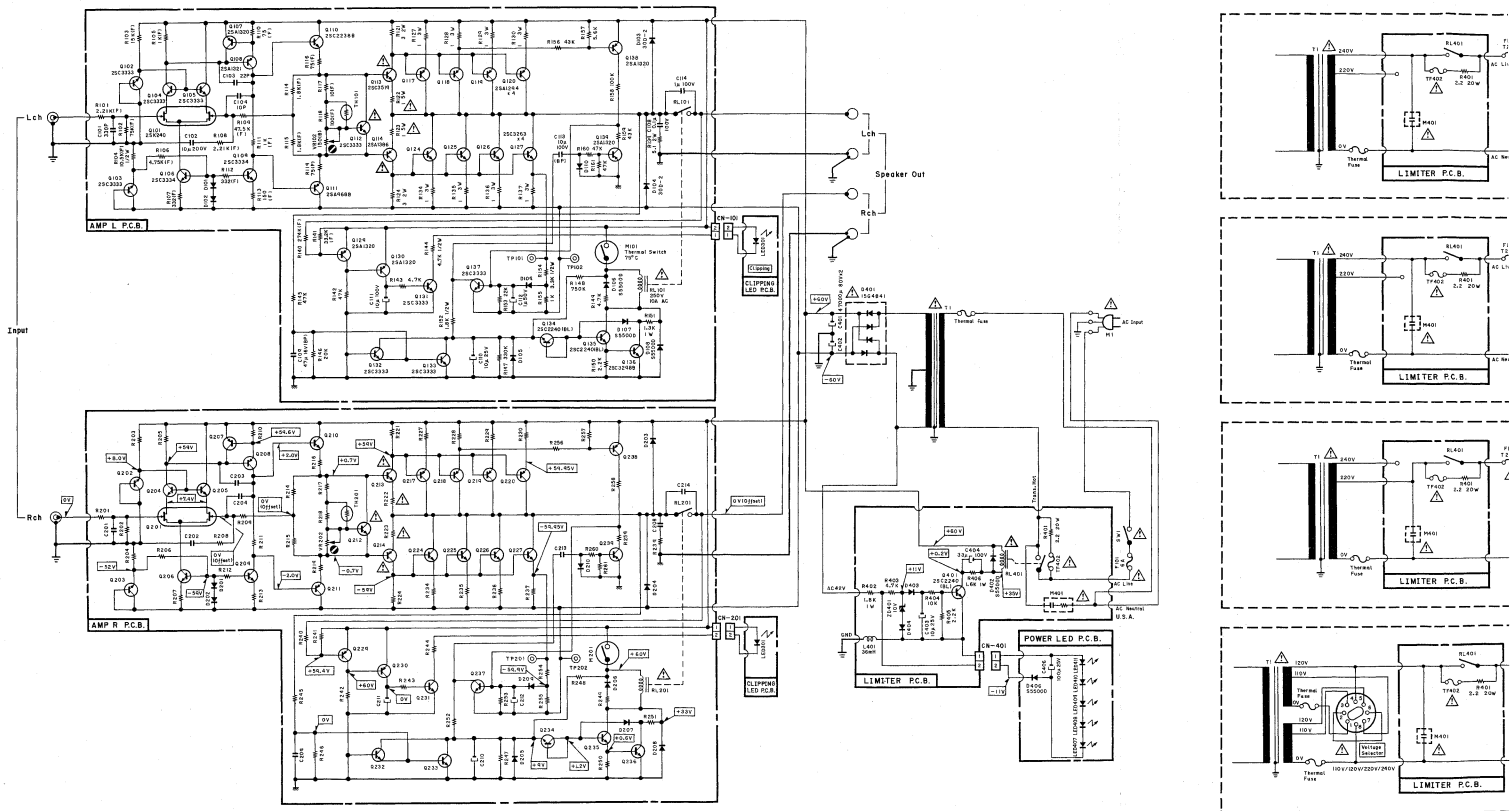


Fig. 5.5

Schematic Ref. No.	Part No.	Description	Schematic Ref. No.	Part No.	Description	Schematic Ref. No.	Part No.	Description	Schematic Ref. No.	Part No.	Description
	BA05969A	Amp. R.F.C.B. Assy	R205	OB08547A	RM 2.21K 1/4W F	R258	0B01889A	RK 100K 1/4W J	Q214	OB10136A	TR 2SA1386
Q201	OB08082A	Amp. R.F.C.B.	R209	OB22638A	RM 47.5K 1/4W F	C201	0B11041A	C 330F 100V J	Q217-220	OB10008A	TR 2SA1294 (4)
	OB06267A	FET 2SK240 (GR. BL. V)	R210,216	OB22632A	RM 75 1/4W F	C202	0B41536A	CM 10u 200V K	Q224-227	OB10098A	TR 2SC2263 (4)
Q202-205	OB10103A	TR 2SC3333 (9)	R213	OB22633A	RM 150 1/4W F	C203	0B41539A	C 22F 50V J	TH201	OB10003A	Thermistor 102F
210,231			R214,215	OB08559A	RM 1.8K 1/4W F	C204	0B41538A	C 10P 50V J		OB90146B	Heat Sink (1)
232,233			R217	OB22567A	RM 10 1/4W F	C208	0B41537A	CM 0.1u 100V J		OB90147R	Sheet A (1)
Q206,209	OB10143A	TR 2SC3334	R218	OB22567A	RM 100 1/4W F	C209	OB40331A	CE 47u 16V (BP)		OB90175A	Sheet B (1)
Q207,229	OB10102A	TR 2SA1320	R221,224	OB24058A	RF 3 2W J	C210	OB01674A	CE 10u 25V		OB90138A	Mx5.10 @ Binding (Nickel) (11)
230,238			R222,223	OB24094A	RF 1 5W K	C211	OB40330A	CE 10u 100V			
239			R227,230	OB24092A	RF 1 3W J	C212	OB01405A	CE 1u 50V			
Q208	OB10142A	TR 2SA1321	R239	OB24059A	RF 5.1 2W J	C213	OB40371A	CE 10u 100V (BP)			
Q234,235	OB06142A	TR 2SC2240 (BL)	R240	OB09752A	RM 274K 1/4W F	C214	OB41619A	CM 1u 100V J			
Q236	OB10145A	TR 2SC3398B	R241	OB09446A	RM 32.2K 1/4W F	RL201	OB90083A	Relay 10A 250V AC			
D201,202	OB06181A	SID 1S853	R242,245	OB06041A	RK 47K 1/4W J	M201	OB90084A	Thermal Switch 75°C			
205,209			260,261	OB01846A	RK 4.7K 1/4W J		OB13866A	2PS Post			
210			R243,249	OB24062A	RF 4.7K 1/2W J		OB00754A	Mx5 @ Fan (Nickel)			
D203,204	OB06428A	SID 30D-2	R246	OB09509A	RK 20K 1/4W J	Q210	OB10101A	TR 2SC2238B			
D206,207	OB10252A	SID S800D	R247	OB09727A	RK 330K 1/4W J		OB90173A	Heat Sink TO-220			
208			R248	OB09755A	RK 750K 1/4W J		OE00966A	Mx5 @ Binding (Nickel) (1)			
VR492	OB23052A	Potentiometer 150	R249	OB09727A	RK 330K 1/4W J		OE00972A	Nut Hex. M3 (1)			
R201	OB22592A	RM 2.21K 1/4W F	R251	OB24090A	RF 1.3K 1W J	Q211	OB10100A	TR 2SA968B (1)			
R202	OB09662A	RM 75K 1/4W F	R252	OB24061A	RF 1.8K 1/2W J		OB90173A	Heat Sink TO-220			
R203	OB09400A	RM 15K 1/4W F	R253	OB06015A	RK 22K 1/4W J		OE00966A	Mx5 @ Binding (Nickel) (1)			
R204	OB22670A	RM 10.5K 1/2W F	R254	OB24089A	RF 3.3K 1/2W J		OE00972A	Nut Hex. M3 (1)			
R205,211	OB06491A	RM 1K 1/4W F	R255	OB01887A	RK 1K 1/4W J	Q213	OB10137A	TR 2SC3519			
R206	OB09424A	RM 4.75K 1/4W F	R256,259	OB09750A	RK 43K 1/4W J						
R207,212	OB09760A	RM 332 1/4W F	R257	OB01887A	RK 5.6K 1/4W J						

6. SCHEMATIC DIAGRAM



Notes: 1. Diode is 1SS53, 1S1555, or 1SS176 unless otherwise specified.
 2. Voltages shown in \square are typical value with no input signal at 60 Hz.

Fig. 6

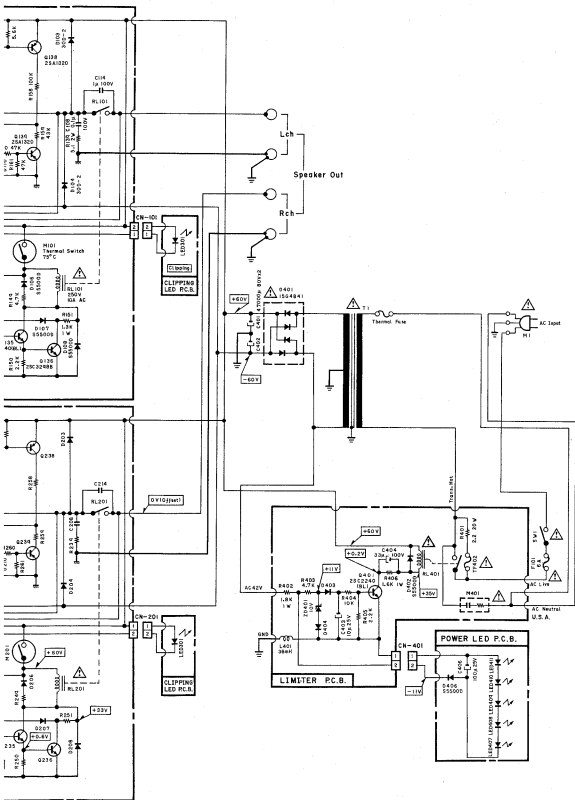
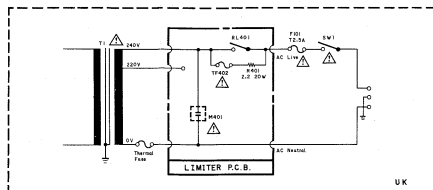
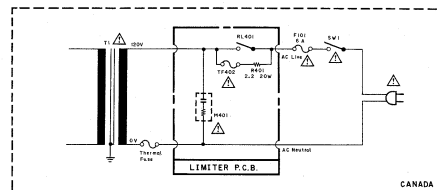


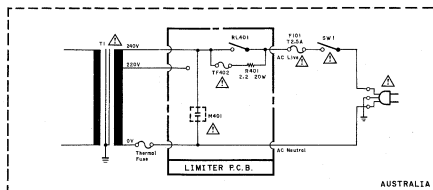
Fig. 6



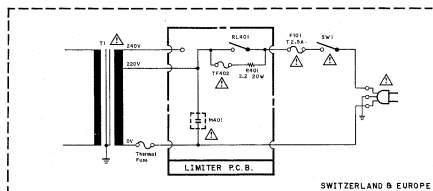
UK



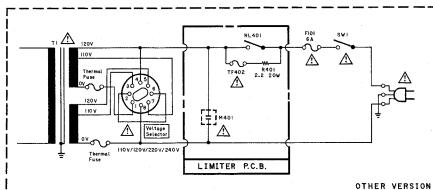
CANADA




AUSTRALIA



SWITZERLAND & EUROPE



OTHER VERSION

WARNING:
Parts marked with the symbol  have critical characteristics.
Use **ONLY** replacement parts recommended by the manufacturer.

It is recommended that the unit be operated from a suitable DC supply or batteries during initial check-out procedures.

CAUTION:
Before returning the unit to the customer, make sure you make either (1) a leakage current check or (2) a line to chassis resistance check. If the leakage current exceeds 0.5 milliamp, or if the resistance from chassis to either side of the power cord is less than 240 k ohms, the unit is defective.
WARNING — DO NOT return the unit to the customer until the problem is located and corrected.

7. WIRING DIAGRAM

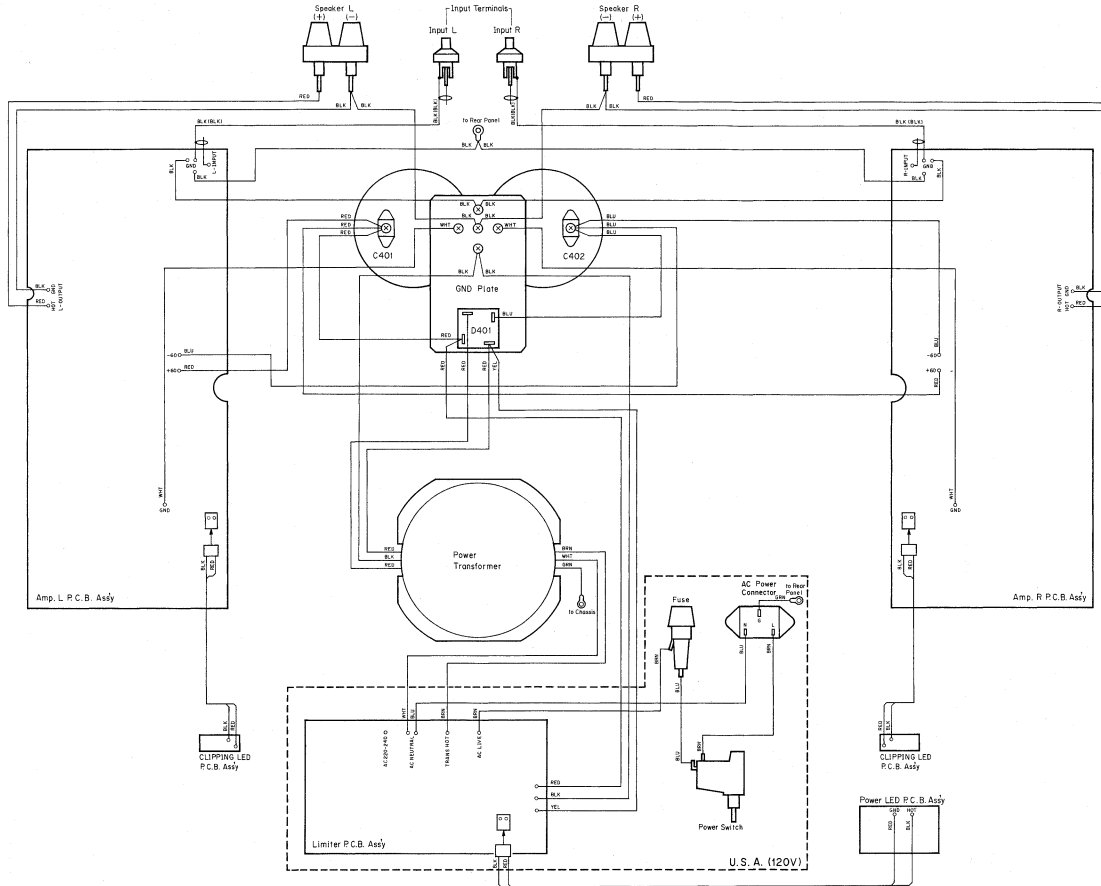
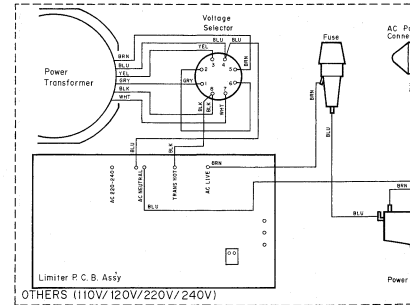
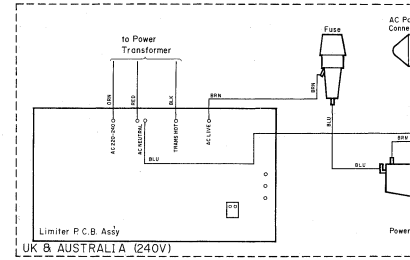
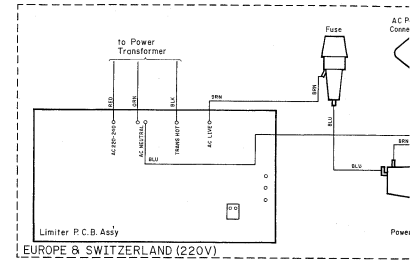
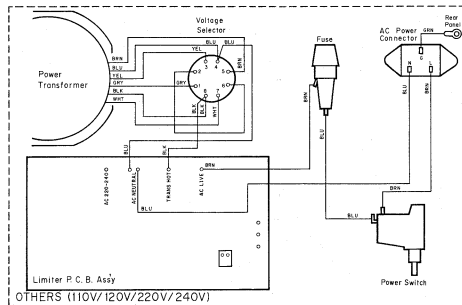
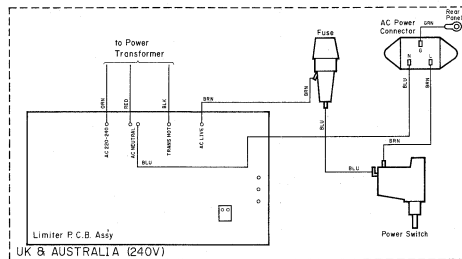
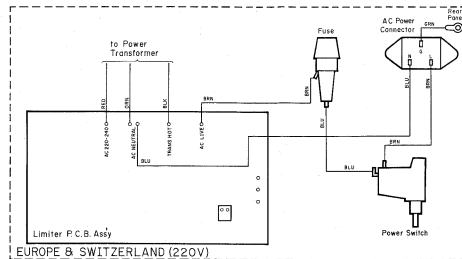
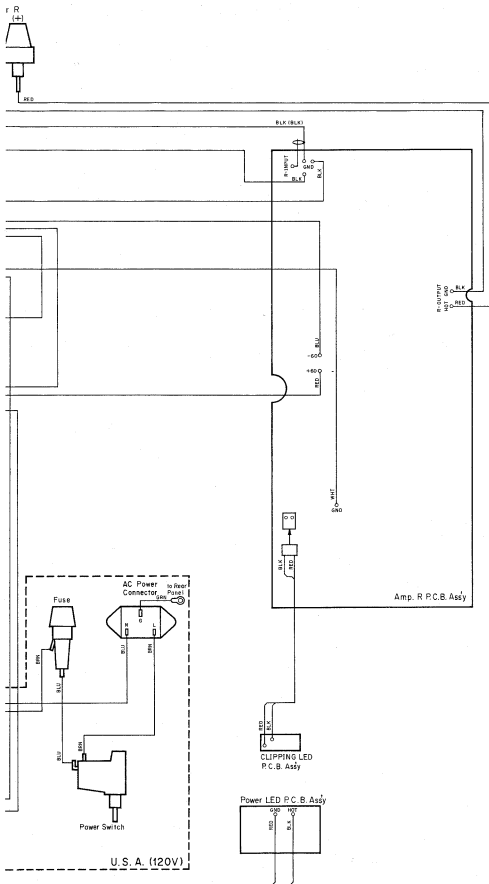
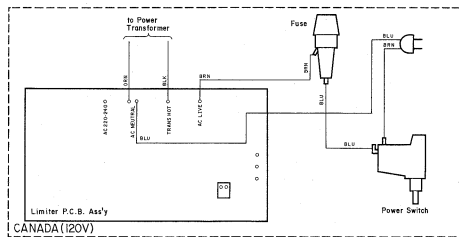
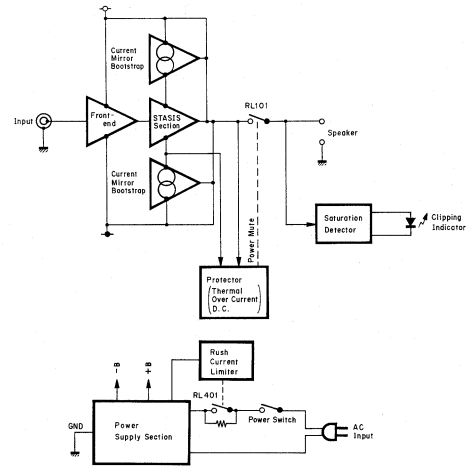


FIG. 7





8. BLOCK DIAGRAM



Notes: 1. Table of wire colors

BRN - Brown	GRN - Green	WHT - White
RED - Red	BLU - Blue	BLK - Black
ORN - Orange	VIO - Violet	
YEL - Yellow	GRY - Gray	

2. Component side view of the P.C.B. is illustrated unless otherwise specified.

3. Wire tube color is shown in ().

9. SPECIFICATIONS

Continuous Average Power	100 W x 2 (8 ohms, both channels driven, 20-20,000 Hz, 0.1% THD)
Output (NEW IHF)	
Dynamic Power per Channel	150 W (8 ohms)
Dynamic Head Room	1.7 dB (8 ohms)
(New IHF)	
Power Bandwidth (Half	5 Hz - 50 kHz
Rated Power, 0.1% THD)	
Damping Factor (NEW IHF)	Greater than 60/60/60
20 Hz/1 kHz/20 kHz	
Input Sensitivity/Impedance	1.4 V/75 k ohms (rated power)
(New IHF)	140 mV (1 W output)
Frequency Response	20-20,000 Hz +0, -0.5 dB
(1 W, NEW IHF)	7-150,000 Hz +0, -3 dB
Signal to Noise Ratio	Better than 120 dB
(Input Shorted, Rated Power, IHF-A-WTD)	
Residual Noise Level	Less than 25 μ V
(IHF-A-WTD)	
Total Harmonic Distortion	Less than 0.1%
(Rated Power, 20-20,000 Hz)	
Intermodulation Distortion	Less than 0.1%
(Rated Power, 60 Hz: 7 kHz, 4:1)	
Stereo Separation	100/90/70 dB
(Input Shorted)	
100 Hz/1 kHz/10 kHz	
Output Complement	10 transistors per channel
Output Current Capability	12 A continuous, 35 A peak (per channel)
Power Supply	450 W toroidal transformer, 94,000 μ F total filter capacitance
Power Source	120, 220, 240, 110-120/220-240 V AC; 50/60 Hz (According to country of sale)
Power Consumption	450 W max.
Dimensions	435 (W) x 135 (H) x 368 (D) mm 17-1/8 (W) x 5-5/16 (H) x 14-1/2 (D) inches
Approximate Weight	16 kg; 35 lbs., 4 oz.

- Specifications and design are subject to change for further improvement without notice.
- STASIS manufactured under license from Threshold Corporation.
- STASIS is a trademark of Threshold Corporation.

Service Manual

Nakamichi PA-5, PA-5E

Nakamichi Corporation

Tokyo Office
Shinjuku Daiichi Seimei Bldg.
2-7-1 Nishishinjuku, Tokyo
Phone (03) 342-4461
Telex : 2324721 (NAKAM J)

Nakamichi U.S.A. Corporation

19701 South Vermont Avenue
Torrance, California 90502
Phone : (213) 538-8150

Nakamichi GmbH

Stephanienstrasse 6, 4000 Düsseldorf 1
Phone : (0211) 359036