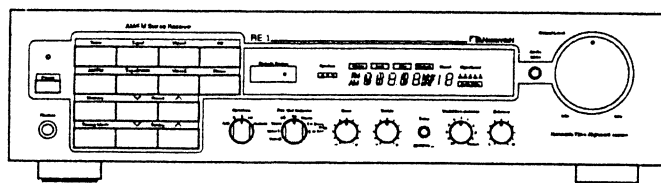


Service Manual

RE-1

AM/FM Stereo Receiver



CONTENTS

1. General	1
2. Mechanism Ass'y and Parts List	3
2.1. Synthesis	3
2.2. Chassis Ass'y (A01)	4
2.3. Front Chassis Ass'y (A02)	5
2.4. Heat Sink Ass'y (B01)	6
3. Mounting Diagrams and Parts List	7
3.1. AC Outlet P.C.B. Ass'y	7
3.2. Power Switch P.C.B. Ass'y	7
3.3. Headphone P.C.B. Ass'y	7
3.4. Treble P.C.B. Ass'y	7
3.5. Bass P.C.B. Ass'y	7
3.6. Balance P.C.B. Ass'y	7
3.7. Volume LED P.C.B. Ass'y	7
3.8. Loudness P.C.B. Ass'y	7
3.9. Motor Volume P.C.B. Ass'y	7
3.10. Speaker Selector P.C.B. Ass'y	8
3.11. Record Selector P.C.B. Ass'y	8
3.12. Speaker Terminal P.C.B. Ass'y	8
3.13. Power Supply P.C.B. Ass'y	8
3.14. Front P.C.B. Ass'y	8
3.15. System Remote P.C.B. Ass'y	8
3.16. Main P.C.B. Ass'y	9
4. Schematic Diagrams	14

1. GENERAL

Reference Service Manual

The base Model of RE-1 is Receiver 1. In this Service Manual, identical sections/items are omitted. So, please refer to the Service Manual of Receiver 1 (0Q06136A).

1.1. Product Code

D119

1.2. Destinations

USA, CAN


Abbreviation

USA — U.S.A.

CAN — Canada

1.3. Cautions/Warnings

(1) Product Safety Notice

Parts marked with the symbol  in the schematic diagram have critical characteristics.

Use ONLY replacement parts recommended by the manufacturer. It is recommended that the unit be operated from a suitable DC supply or batteries during initial check-out procedures.

(2) Leakage Current Check/Resistance Check

Before returning the unit to the customer, make sure you make either (1) a leakage current check or (2) a line to chassis resistance check. If the leakage current exceeds 0.5 milliamp, or if the resistance from chassis to either side of the power cord is less than 240 k ohms, the unit is defective.

WARNING — DO NOT return the unit to the customer until the problem is located and corrected.

(3) Lithium Battery Caution

Use ONLY replacement parts recommended by the manufacturer. Replacement must be done only by qualified service personnel because of risk for explosion.

WARNING

Litiumbatteri. Explosionsfare ved felaktig hantering. Byte får endast ske av sakkunnig personal enligt servicedokumentationens anvisningar.

ADVARSEL!

Litiumbatterier. Eksplosionsfare. Udskiftning må kun foretages af en sagkyndig og som beskrevet i service manualen.

batterierne kun må udskiftes med batterier af samme fabrikat og type.

(4) Resetting the MPU After Repair

When the RE-1 does not work properly with the button operation after repair or after replacing the battery (the display shows abnormal indication), reset the Microprocessing Unit (MPU) U001 (uPD75208CW-A77) on the Front P.C.B. Ass'y as follows:

1. With the power turned ON, press the Reset switch S016 on the Front P.C.B. Ass'y. See Fig. 3.14.
2. Since the memory contents are cleared, reset them again.

1.4. Package Ass'y

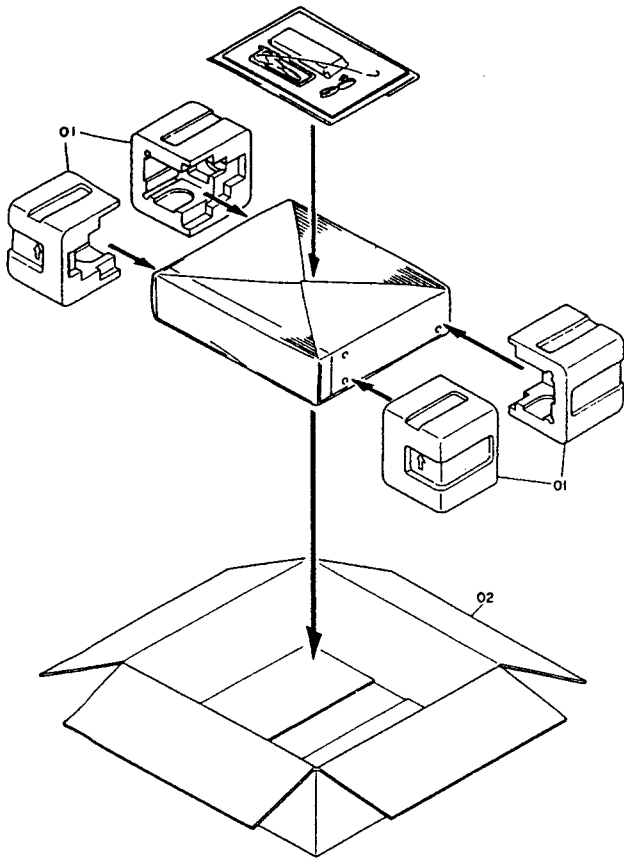
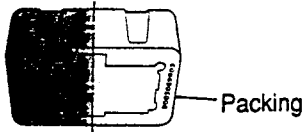
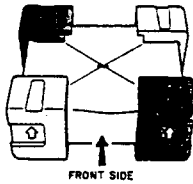


Fig. 1.1



Break each packing into 2 pcs, and mount them as follows:



1.5. Accessory Ass'y

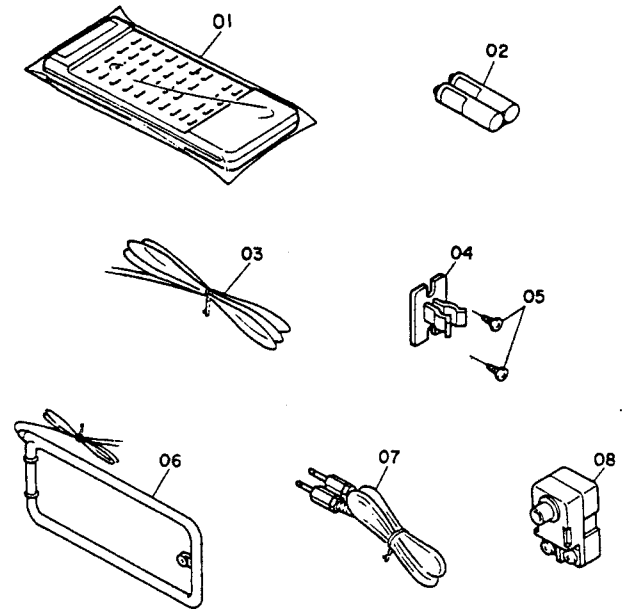


Fig. 1.2

Schematic Ref. No.	Part No.	Description	Q'ty
Package Ass'y			
01	0N00052A	Packing	2
02	0F04720A	Carton Box	1
—	0C85457A	Soft Sheet	1

Schematic Ref. No.	Part No.	Description	Q'ty
CB00092A Accessory Ass'y			
01	HA06495A	Remote Control Ass'y	1
02	0B90341A	Battery AA Type x 2	1
03	0B90320A	Feeder Antenna	1
04	0B90319A	Loop Antenna Holder	1
05	0E03659A	3x12 + Tapping (Black Chromate)	2
06	0C85374A	Loop Antenna	1
07	0C85415A	Remote Control Cable	1
08	0C85555A	Antenna Adapter S-U5025	1
—	0D06419C	Owner's Manual (English)	1
—	0D06420C	Owner's Manual (French)	1

2. MECHANISM ASS'Y AND PARTS LIST

2.1. Synthesis

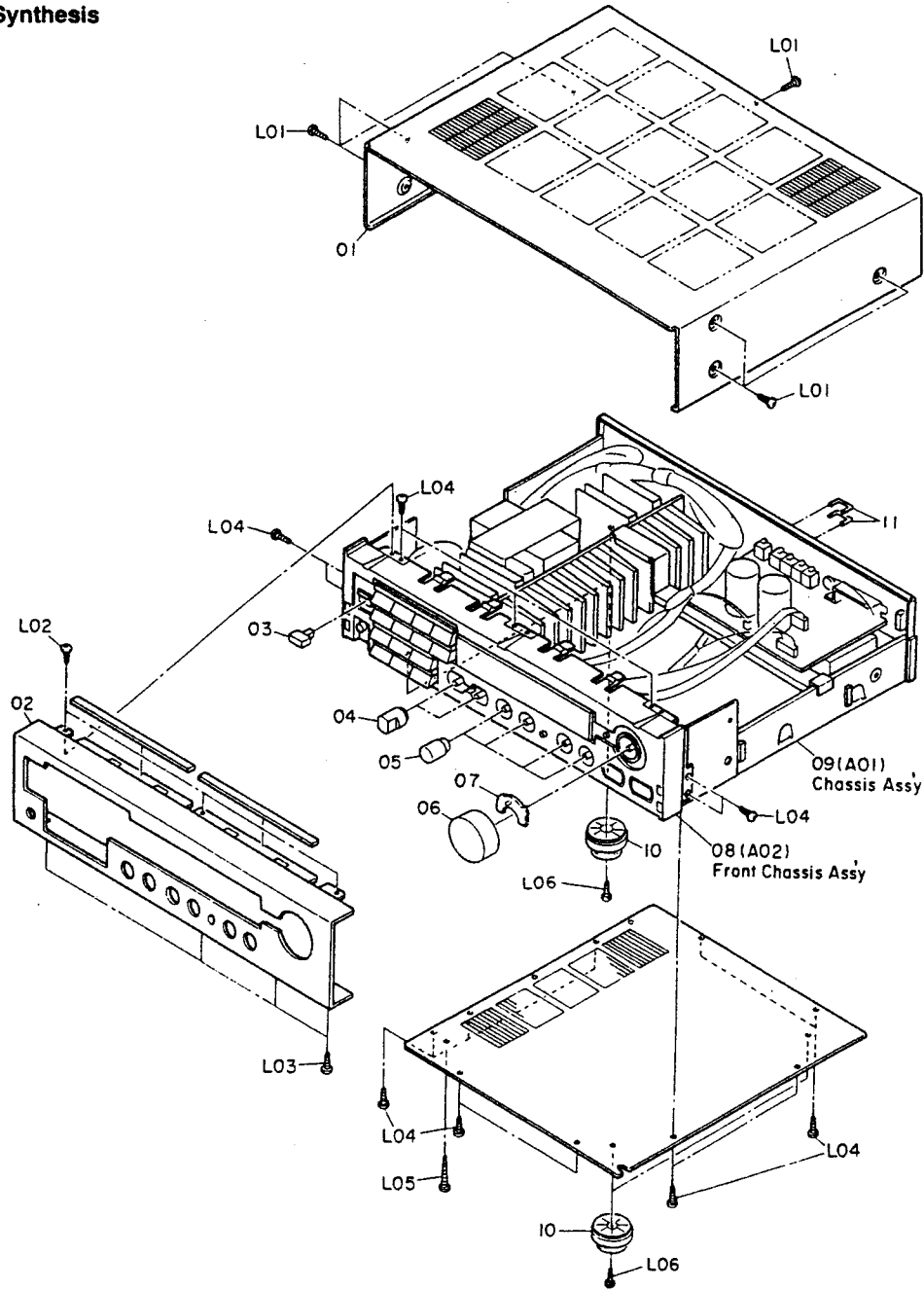


Fig. 2.1

2.1. Synthesis

Schematic Ref. No.	Part No.	Description	Q'ty	Schematic Ref. No.	Part No.	Description	Q'ty
	—	Synthesis		11	0J05710A	Shorting Pin	2
01	0C85459B	Top Cover	1	L01	0E03433A	BT3x6 + Binding Projected (Black Chromate)	
02	0H06457A	Front Panel	1	L02	0E00868A	BT3x8 + Binding	
03	0H06418A	Power Knob	1	L03	0E00948A	BT3x10 + Binding (Black Chromate)	
04	HA06503A	Volume Knob Ass'y DR	2	L04	0E00857A	BT3x6 + Binding	
05	HA06502A	Volume Knob CDR Ass'y	4	L05	0C85577A	BT3x16 + Binding (Tapping)	
06	HA06574A	Master Volume Ass'y	1	L06	0E03217A	BT4x8 + Binding	
07	CB00031A	Volume LED P.C.B. Ass'y	1				
08	—	Front Chassis Ass'y	1				
09	—	Chassis Ass'y	1				
10	0H06472A	Leg	4				

2.2. Chassis Ass'y (A01)

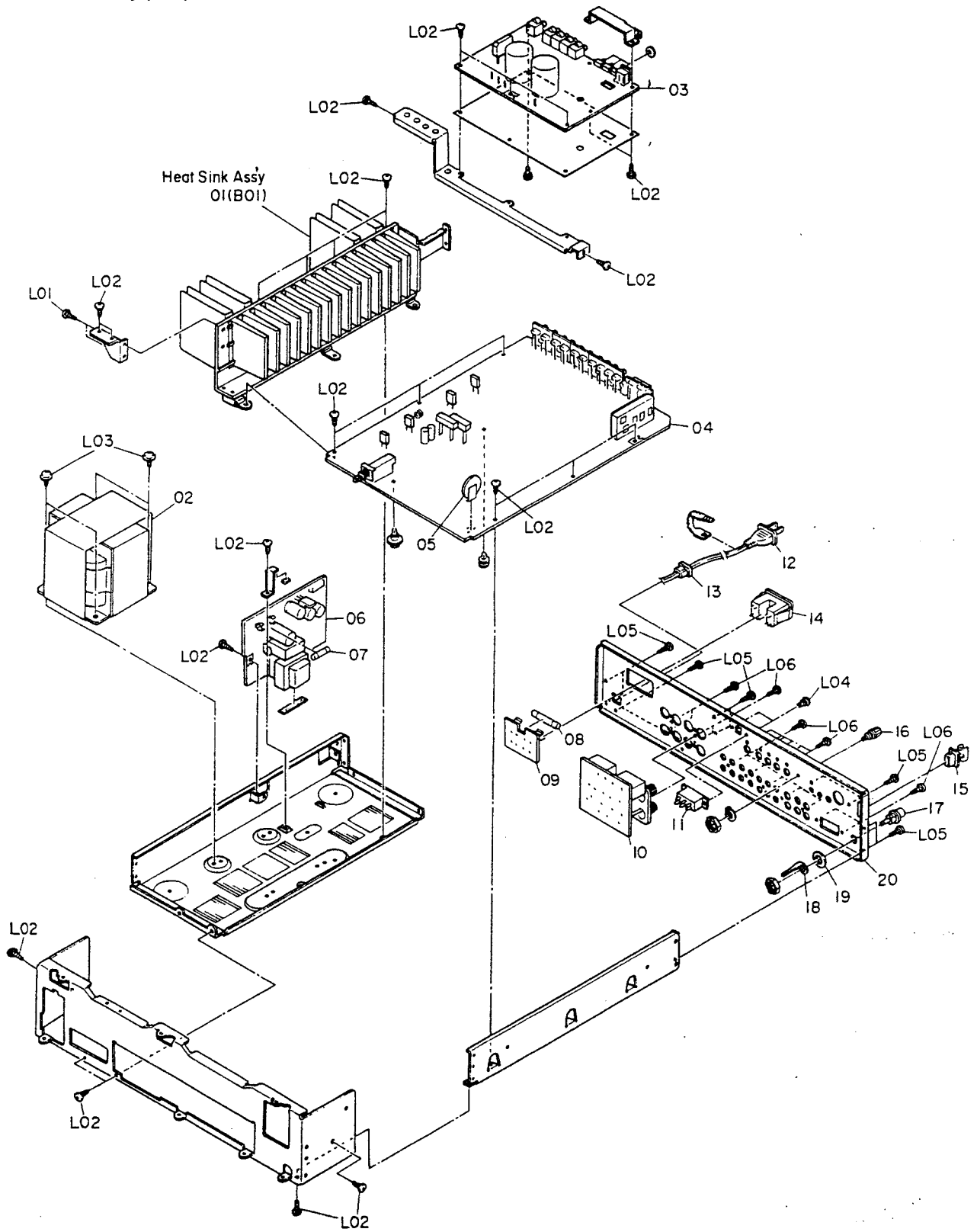


Fig. 2.2

2.3. Front Chassis Ass'y (A02)

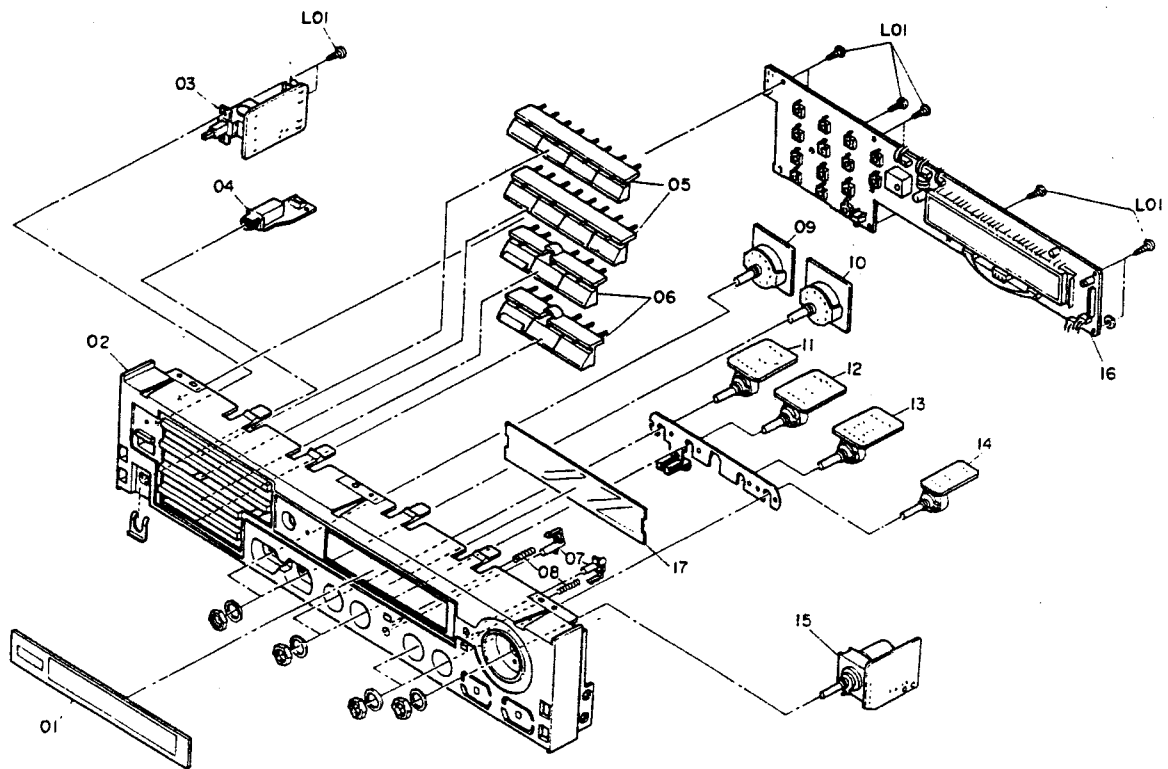


Fig. 2.3

2.2. Chassis Ass'y (A01)

Schematic Ref. No.	Part No.	Description	Q'ty
A01	—	Chassis Ass'y	1
01	—	Heat Sink Ass'y	1
02	0L00184A	Power Transformer	1
03	CB00069A	System Remote P.C.B. Ass'y	1
04	CB00027A	Main P.C.B. Ass'y	1
05	0B90200B	Lithium Battery	1
06	CB00038A	Power Supply P.C.B. Ass'y	1
07	0B90345A	Fuse T0.5A/250V	1
08	0B90348A	Fuse 5A 250V	1
09	CB00041A	AC Outlet P.C.B. Ass'y	1
10	CB00039A	Speaker Terminal P.C.B. Ass'y	1
11	0N00053A	Speaker Select Switch	1
12	0L00185A	AC Power Cord	1
13	0B90280A	Cord Bushing	1
14	0B81928A	AC Outlet	1
15	0B90316A	AM Antenna Holder	1
16	JA04383A	Ground Terminal Ass'y	1
17	0C09584A	Antenna Socket F	1
18	0C85442A	Lug Terminal	1
19	0C85445A	Ground Washer	1
20	0H06527A	Rear Panel	1
L01	0E00868A	BT3x8 + Binding	1
L02	0E00857A	BT3x6 + Binding	1
L03	0C85421A	ST4x6 + Binding Washer-Faced	1
L04	0L00057A	Plastic Rivet 3x5.5	1
L05	0E00860A	BT3x6 + Binding (Black Chromate)	1
L06	0N00066A	PT3x10 + Binding (Black Chromate)	1

2.3. Front Chassis Ass'y (A02)

Schematic Ref. No.	Part No.	Description	Q'ty
A02	—	Front Chassis Ass'y	1
01	HA06567B	Display Lens R Ass'y	1
02	0H06450B	Front Chassis	1
03	CB00042A	Power Switch P.C.B. Ass'y	1
04	CB00040A	Headphone P.C.B. Ass'y	1
05	0H06440B	Control Knob 4R	2
06	0H06441B	Control Knob 3R	2
07	0H06447B	Push Knob	2
08	0J06253A	Push Knob Spring	1
09	CB00032A	Speaker Selector P.C.B. Ass'y	1
10	CB00030A	Record Selector P.C.B. Ass'y	1
11	CB00035A	Bass P.C.B. Ass'y	1
12	CB00036A	Treble P.C.B. Ass'y	1
13	CB00033A	Loudness P.C.B. Ass'y	1
14	CB00034A	Balance P.C.B. Ass'y	1
15	CB00043A	Motor Volume P.C.B. Ass'y	1
16	CB00029A	Front P.C.B. Ass'y	1
17	HA06570A	Filter RE Ass'y	1
L01	0C85416A	PT3x8 + Binding	1

2.4. Heat Sink Ass'y (B01)

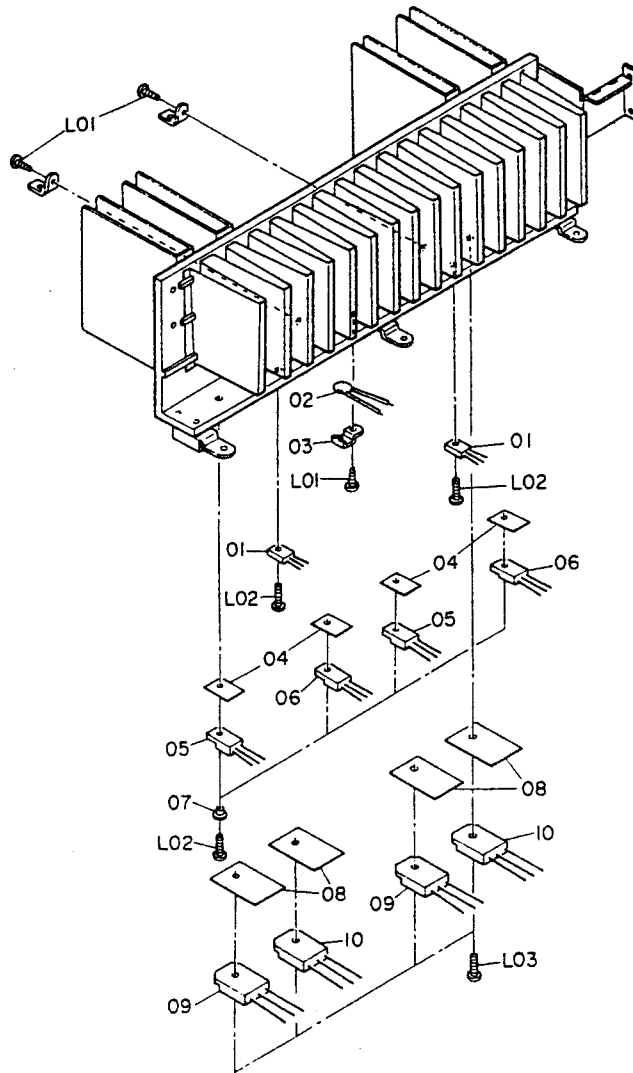


Fig. 2.4

2.4. Heat Sink Ass'y

Schematic Ref. No.	Part No.	Description	Qty
B01	—	Heat Sink Ass'y	1
01	0B10199A	Transistor 2SC3421 [Q306L,R]	2
02	0B19607A	Thermistor 50KD-5 [TH-301]	1
03	0J05615A	TH Holder	1
04	0J05672B	Insulator SIL TO-220	4
05	0B10292A	Transistor 2SC2167 [Q307L,R]	2
06	0B10293A	Transistor 2SA957 [Q308L,R]	2
07	0B08594A	Transistor Bush TO-220	4
08	0J05671A	Insulator SIL	4
09	0B10250A	Transistor 2SC3856 [Q309L,R]	2
10	0B10294A	Transistor 2SA1492 [Q310L,R]	2
L01	0E00868A	BT3x8 + Binding	
L02	0E00986A	M3x10 + Binding	
L03	0E00994A	M3x12 + Binding	

3. MOUNTING DIAGRAMS AND PARTS LIST

3.1. AC Outlet P.C.B. Ass'y

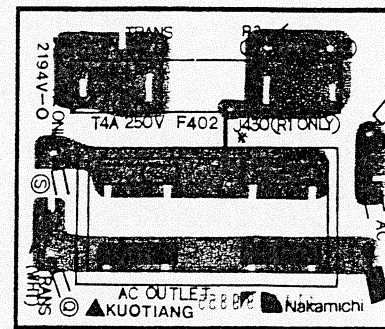


Fig. 3.1

3.2. Power Switch P.C.B. Ass'y

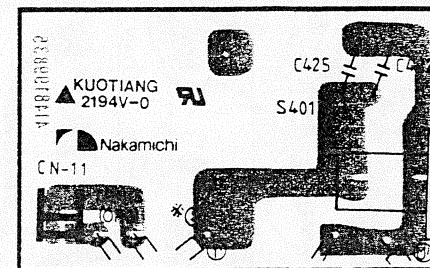


Fig. 3.2

3.3. Headphone P.C.B. Ass'y

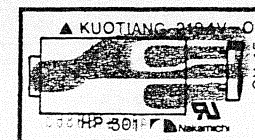


Fig. 3.3

3.4. Treble P.C.B. Ass'y

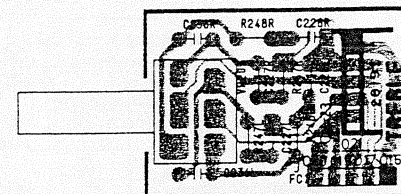


Fig. 3.4

3.5. Bass P.C.B. Ass'y

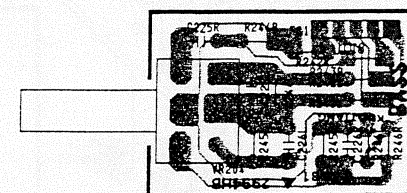


Fig. 3.5

3.6. Balance P.C.B. Ass'y

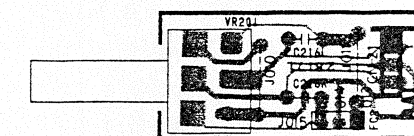


Fig. 3.6

3.7. Volume LED P.C.B. Ass'y

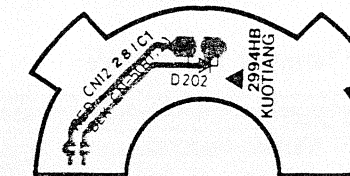


Fig. 3.7

3.8. Loudness P.C.B. Ass'y

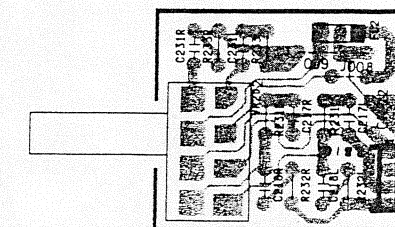


Fig. 3.8

3.9. Motor Volume P.C.B. Ass'y

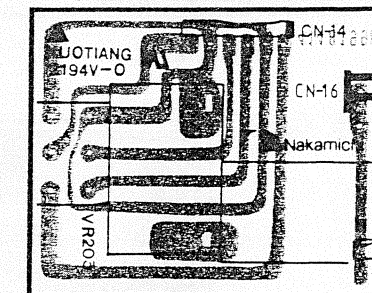


Fig. 3.9

3.10. Speaker Selector P.C.B. Ass'y

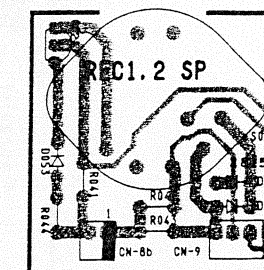


Fig. 3.10

3.11. Record Selector P.C.B. Ass'y

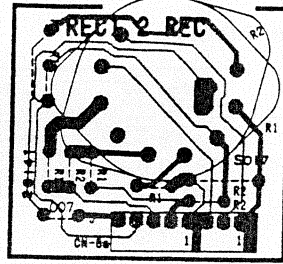


Fig. 3.11

3.12. Speaker Terminal P.C.B. Ass'y

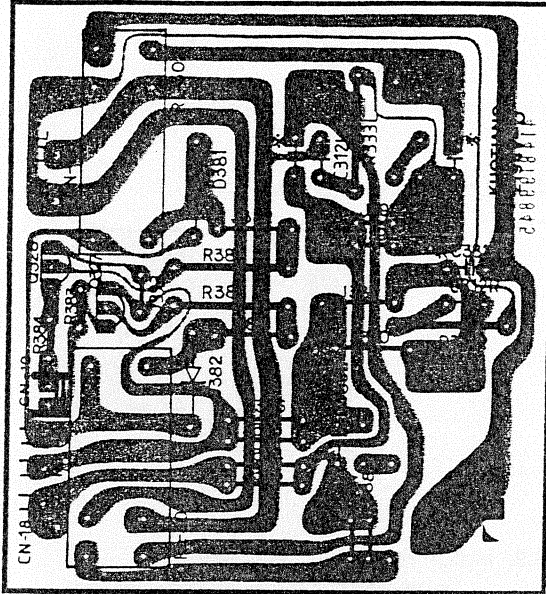


Fig. 3.12

3.13. Power Supply P.C.B. Ass'y

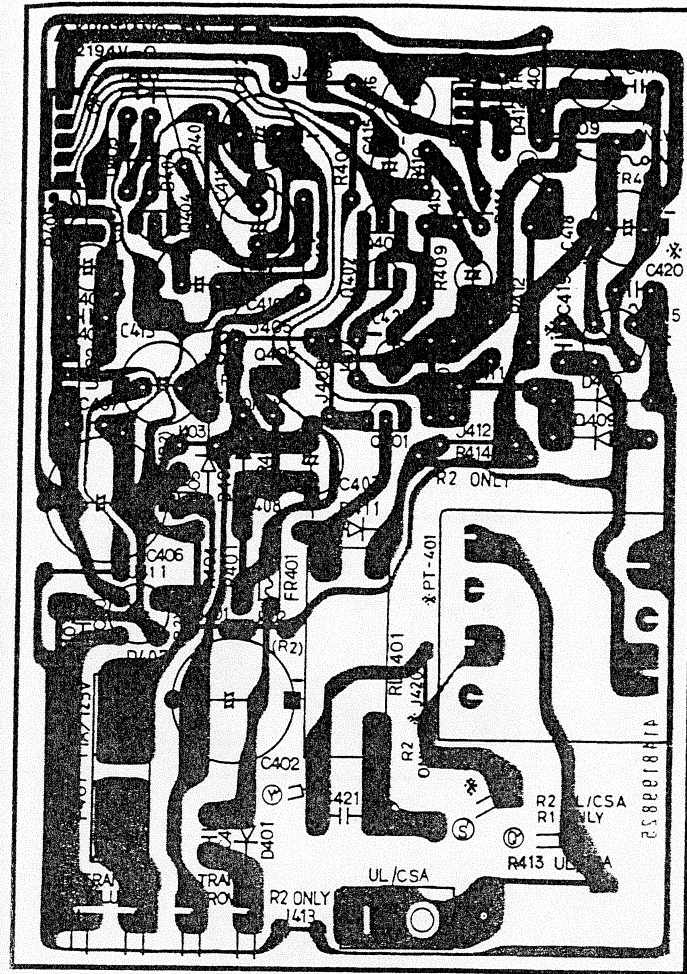


Fig. 3.13

3.15. System Remote P.C.B. Ass'y

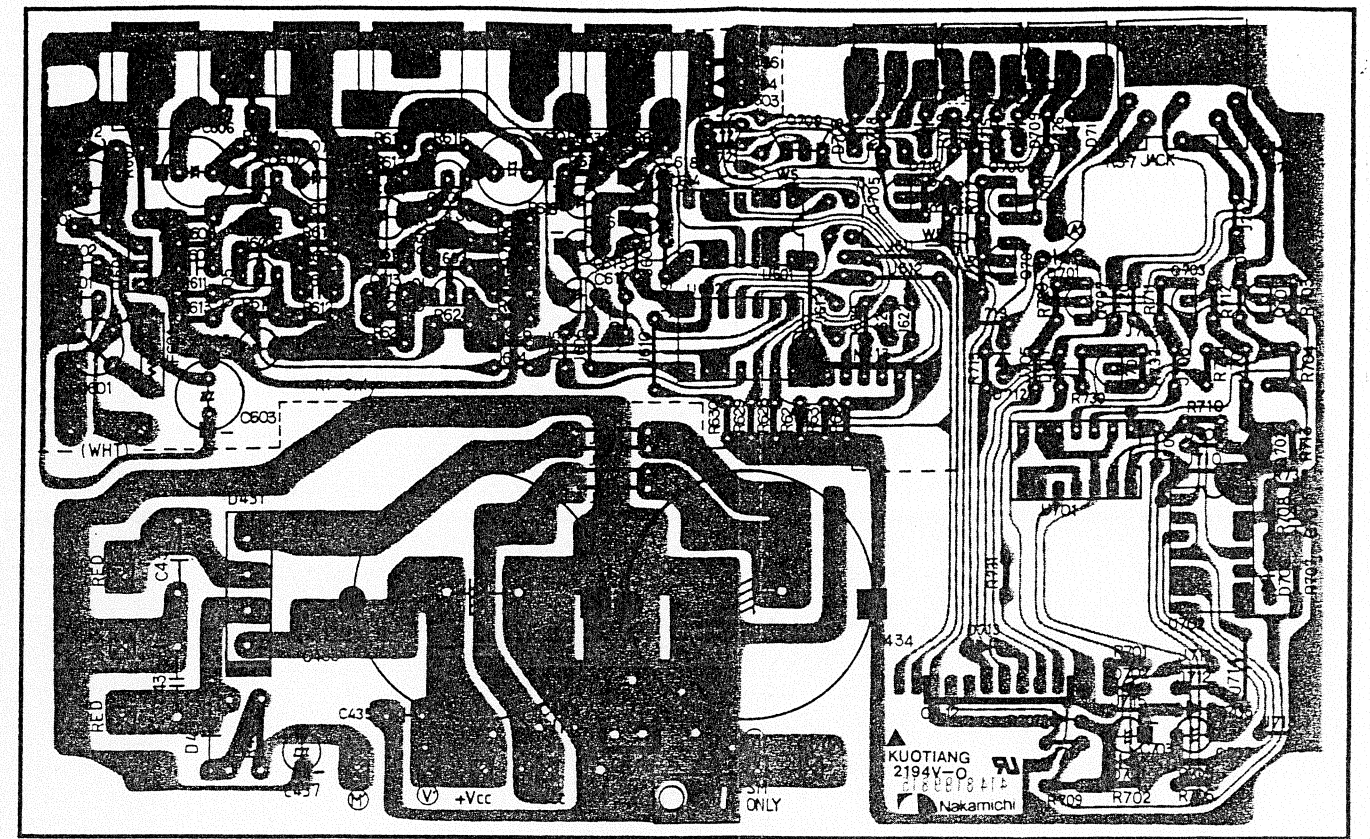


Fig. 3.15

3.14. Front P.C.B. Ass'y

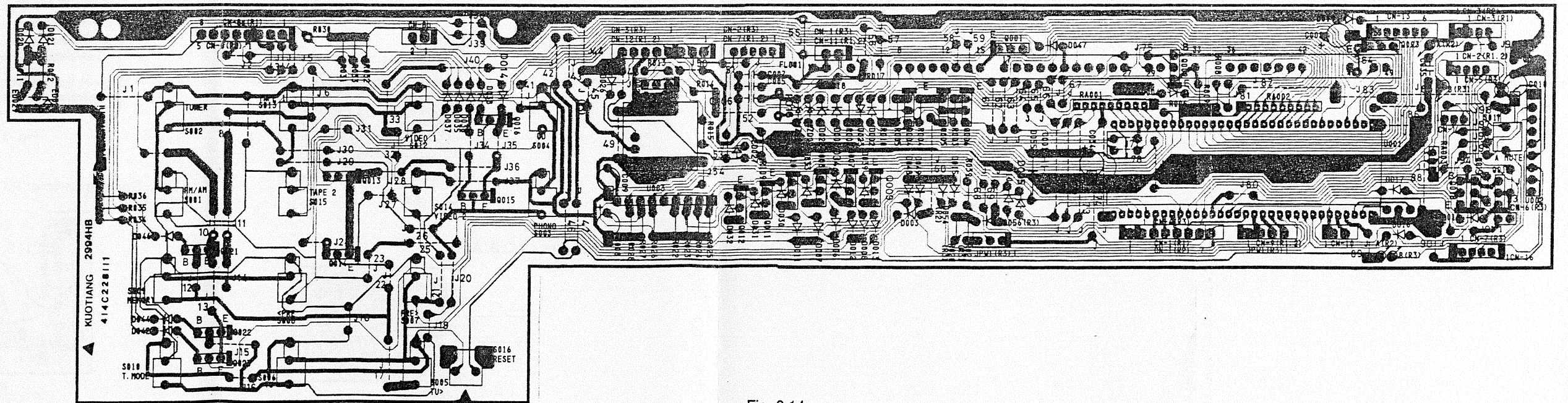
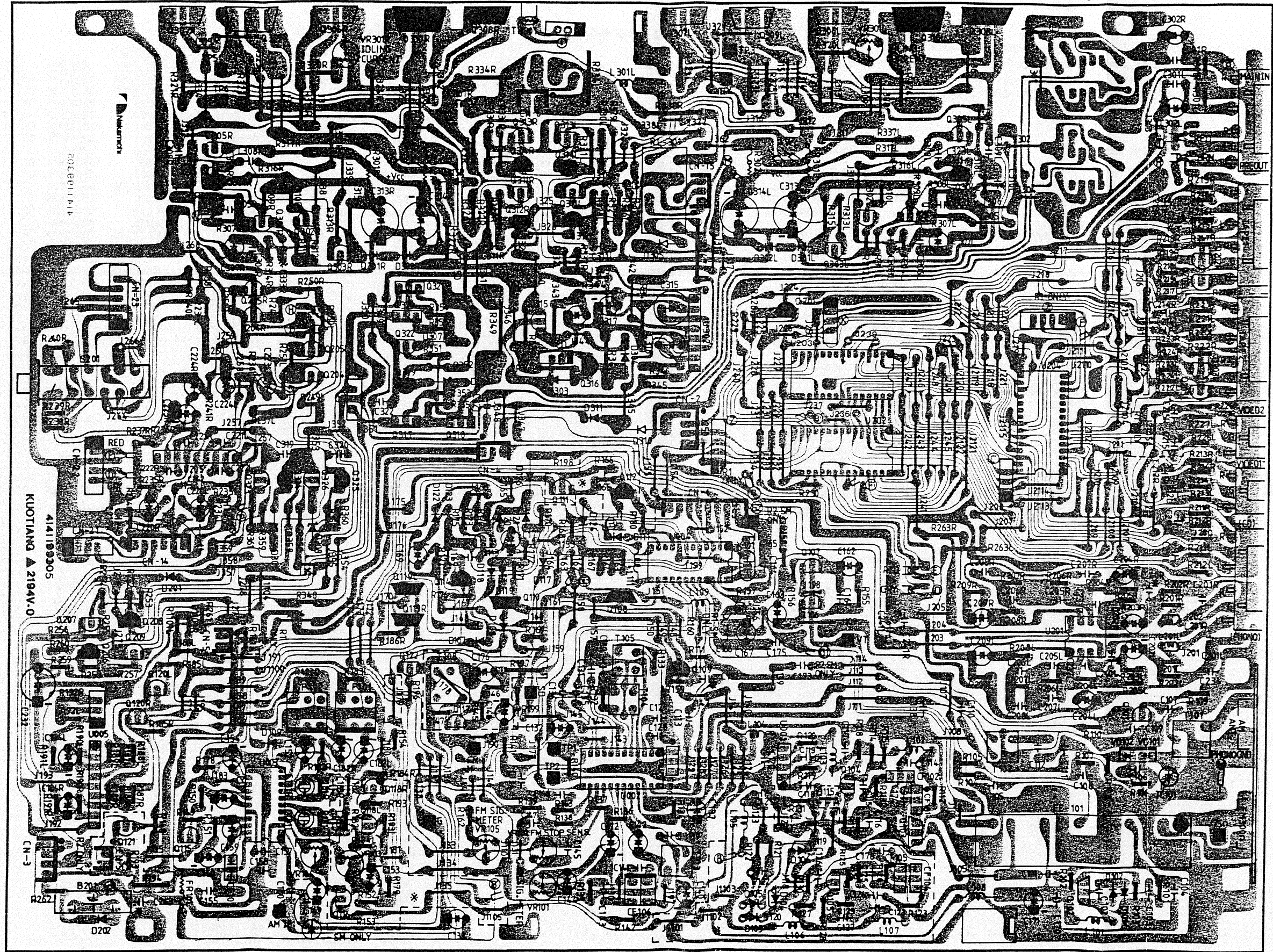


Fig. 3.14

Reset switch



NOTES: 1. Abbreviations

TR – Transistor, SID – Silicon Diode, ZD – Zener Diode, Varicap – Variable Capacitance Diode
 RK – Carbon Resistor, RM – Metal Film Resistor, RF – Fail Safe Type Resistor, RC – Cement Resistor
 CE – Electrolytic Capacitor, CML – Mylar Capacitor, CC – Ceramic Capacitor, CPP – PP Capacitor,
 CMM – Metalized Mylar Capacitor, CSP – Polystyrene Capacitor, C – Mica Capacitor,
 CT – Tantalum Capacitor

2. Description of capacitor: 10 16V = 10µ 16V

3.1. AC Outlet P.C.B. Ass'y

Schematic Ref. No.	Part No.	Description
	CB00041A	AC Outlet P.C.B. Ass'y
	0L00035A	AC Outlet P.C.B.
	0B81930A	Fuse Holder (2)

3.2. Power Switch P.C.B. Ass'y

Schematic Ref. No.	Part No.	Description
	CB00042A	Power Switch P.C.B. Ass'y
	0L00036A	Power Switch P.C.B.
C422,425	0B41987A	CC 0.01 250V
CN11	0B81666A	2P S-Post
S401	0B71011A	Power Switch

3.3. Headphone P.C.B. Ass'y

Schematic Ref. No.	Part No.	Description
	CB00040A	Headphone P.C.B. Ass'y
	0L00034A	Headphone P.C.B.
CN15	0C85503A	3P Connector Ass'y 400mm
HP301	0B81757A	Headphone Jack

3.4. Treble P.C.B. Ass'y

Schematic Ref. No.	Part No.	Description
	CB00036A	Treble P.C.B. Ass'y
	0L00031A	Treble P.C.B.
VR205	0L00061A	VR 100Kx2RK
R247L,R	0B09687A	RK 2.7K 1/6W J
R248L,R	0B09673A	RK 680 1/6W J
C227L,R	0B09189A	CML 2700P 50V J
C228L,R	0B05832A	CML 0.018 50V J
C236L,R	0B41495A	CC 180P 50V J
	0B81669A	5P S-Post

3.5. Bass P.C.B. Ass'y

Schematic Ref. No.	Part No.	Description
	CB00035A	Bass P.C.B. Ass'y
	0L00030A	Bass P.C.B.
VR204	0L00060A	VR 50Kx2RK
R242L,R	0B09703A	RK 12K 1/6W J
R243L,R	0B09669A	RK 470 1/6W J
R244L,R	0B09723A	RK 82K 1/6W J
R245L,R	0B09705A	RK 15K 1/6W J
R246L,R	0B09684A	RK 2K 1/6W J
C225L,R	0B05682A	CPP 0.068 100V G
C226L,R	0B41378A	CML 0.39 50V J

3.6. Balance P.C.B. Ass'y

Schematic Ref. No.	Part No.	Description
	CB00034A	Balance P.C.B. Ass'y
	0L00029A	Balance P.C.B.
VR202	0L00059A	VR 250KMNx2RK
C216L,R	0B09279A	CC 22P 50V J
	0B81667A	3P S-Post (1)

3.7. Volume LED P.C.B. Ass'y

Schematic Ref. No.	Part No.	Description
	CB00031A	Volume LED P.C.B. Ass'y
	0L00026A	Volume LED P.C.B.
ED125	0C85387A	LED SLR-34DC3F
CN5	0C85405A	2P Connector Ass'y 200mm

3.8. Loudness P.C.B. Ass'y

Schematic Ref. No.	Part No.	Description
	CB00033A	Loudness P.C.B. Ass'y
	0L00028A	Loudness P.C.B.
VR201	0L00058A	VR 300Kx2RA
R231L,R	0B09709A	RK 22K 1/6W J
R232L,R	0B09699A	RK 8.2K 1/6W J
R233L,R	0B09707A	RK 18K 1/6W J
C217L,R	0B05550A	CML 1000P 50V J
C218L,R	0B05582A	CML 0.022 50V J
C231L,R	0B41476A	CML 0.1 50V J
	0B81668A	4P S-Post (1)

3.9. Motor Volume P.C.B. Ass'y

Schematic Ref. No.	Part No.	Description
	CB00043A	Motor Volume P.C.B. Ass'y
	0L00037A	Motor Volume P.C.B.
VR203	0L00057A	Volume 50KBx2
CN14	0C85506A	6P Connector Ass'y 150mm
CN16	0B81666A	2P S-Post
M1	0C85507A	Ribbon Wire 2P

3.10. Speaker Selector P.C.B. Ass'y

Schematic Ref. No.	Part No.	Description
	CB00032A	Speaker Selector P.C.B. Ass'y
	0L00027A	Speaker Selector P.C.B.
Q021	0B06100A	TR 2SC945
D051,052	0B06398A	SiD 1SS176
D053	0B06398A	SiD 1SS176
R041	0B09725A	RK 100K1/6W J
R042,043	0B09701A	RK 10K 1/6W J
R044	0B09701A	RK 10K 1/6W J
S016	0B70141A	Rotary Switch MSB15BP20LC
CN8	0B81674A	10P S-Post
CN9	0B81667A	3P S-Post

3.11. Record Selector P.C.B. Ass'y

Schematic Ref. No.	Part No.	Description
	CB00030A	Record Selector P.C.B. Ass'y
	0L00025A	Record Selector P.C.B.
S017	0B70143A	Rotary Switch MSB18

3.12. Speaker Terminal P.C.B. Ass'y

Schematic Ref. No.	Part No.	Description
	CB00039A	Speaker Terminal P.C.B. Ass'y
	0L00033A	Speaker Terminal P.C.B.
Q327,328	0B06142A	TR 2SC2240 (BL)
D381,382	0B12586A	SiD 1N4002L
R333L,R	0B24181A	RF 10 1W J
R383,384	0B09701A	RK 10K 1/6W J
R385,386	0B24107A	RF 1K 2W
C312L,R	0B05796A	CML 0.047 50V J
RL301,302	0B90331A	Relay VB-24MBU
CN6	0C85546A	4P Connector Ass'y 400mm
CN10	0B81666A	2P S-Post
	0C85545A	8P Speaker Terminal (1)

3.13. Power Supply P.C.B. Ass'y

Schematic Ref. No.	Part No.	Description
	CB00038A	Power Supply P.C.B. Ass'y
	0L00032A	Power Supply P.C.B.
U401	0B11010A	IC MC7805T
U402	0B11011A	IC MC7812
Q401,402	0B06100A	TR 2SC945
Q403	0B10049A	TR 2SC2001
Q404	0B06100A	TR 2SC945
Q405	0B10246A	TR 2SA965 (Y)
ZD404,405	0B12104A	ZD 15V B3
ZD408	0B12255A	ZD 33V B2
D401,402	0B12586A	SiD 1N4002L
D403	0B12586A	SiD 1N4002L
D406	0B12586A	SiD 1N4002L
D407	0B12713A	SiD W02G
D409,410	0B12586A	SiD 1N4002L
D411,412	0B12586A	SiD 1N4002L
D413,414	0B06398A	SiD 1SS176
D415	0B12713A	SiD W02G
T401	0C85579A	Sub Power Transformer
FR401	0B24023A	Fuse Resistor 1 1/4W
FR402	0B24088A	Fuse Resistor 10 1/4W
R401	0B05622A	RK 2.2K 1/4W J
R402	0B05577A	RK 330 1/4W J
R403,404	0B01681A	RK 3.3K 1/4W J
R405	0B09685A	RK 2.2K 1/6W J
R406	0B00346A	RK 1K 1/2W J
R407	0B05622A	RK 2.2K 1/4W J
R408	0B05615A	RK 22K 1/4W J
R409	0B01888A	RK 10K 1/4W J
R410	0B09701A	RK 10K 1/6W J
R411	0B01889A	RK 100K 1/4W J
R412	0B24202A	RF 5.6 1W
R413	0B05919A	RK 3.3M 1/2W
RL401	0B90334A	Relay VS-12MB-VD3
C401	0B09387A	CC 0.047 50V Z
C402	0B40124A	CE 1000 50V
C403	0B09313A	CE 100 50V
C404,405	0B09292A	CC 0.1 50V Z
C406	0B40095A	CE 1000 25V
C407,408	0B09292A	CC 0.1 50V Z
C409	0B40079A	CE 220 16V
C410	0B40123A	CE 470 50V
C411,412	0B09126A	CE 100 35V
C413	0B40123A	CE 470 50V
C414	0B01400A	CE 100 16V
C415	0B01674A	CE 10 25V
C416	0B40067A	CE 470 10V
C417	0B40079A	CE 220 16V
C418	0B40082A	CE 1000 16V
C419,420	0B09292A	CC 0.1 50V Z
C421	0B41829B	CC 4700P 400V
C423	0B09372A	CE 2.2 50V
CN4	0C85542A	3P Connector Ass'y
CN7	0B81762A	5P T-Post
F401	0B81848A	Fuse Holder (2)

3.14. Front P.C.B. Ass'y

Schematic Ref. No.	Part No.	Description
	CB00029A	Front P.C.B. Ass'y
	0L00024A	Front P.C.B.
U001	0B11872A	IC uPD75208CW-A77
U002	0B11530A	IC BA6208
U003	0B11244A	IC LB1413N
U004	0C85399A	Remote Control Receiver SBX-1610
Q001,002	0B10328A	TR DTC114TF
Q003	0B10328A	TR DTC114TF
Q004	0B10328A	TR DTC114TF
Q005,006	0B10328A	TR DTC114TF
Q007,008	0B10325A	TR DTA114TF
Q009	0B10327A	TR DTA144TF
Q010	0B10325A	TR DTA114TF
Q011,012	0B10057A	TR DTA114TS
Q013,014	0B10057A	TR DTA114TS
Q015,016	0B10057A	TR DTA114TS
Q017,018	0B10062A	TR DTC144ES
Q019	0B10062A	TR DTC144ES
Q020	0B06100A	TR 2SC945
Q021,022	0B10057A	TR DTA114TS
Q023	0B10057A	TR DTA114TS
ZD024	0B06232A	ZD 9.1V B2
ZD025	0B12159A	ZD 7.5V B2
ED027,028	0C85387A	LED SLR-34DC3F
ED029	0C85387A	LED SLR-34DC3F
D001,002	0B06398A	SiD 1SS176
D003,004	0B06398A	SiD 1SS176
D005,006	0B06398A	SiD 1SS176
D007,008	0B06398A	SiD 1SS176
D010,011	0B06398A	SiD 1SS176
D012,013	0B06398A	SiD 1SS176
D014,015	0B06398A	SiD 1SS176
D016,017	0B06398A	SiD 1SS176
D018,019	0B06398A	SiD 1SS176
D020,021	0B06398A	SiD 1SS176
D022,023	0B06398A	SiD 1SS176
D026	0B06398A	SiD 1SS176
D030,031	0B06398A	SiD 1SS176
D032,033	0B06398A	SiD 1SS176
D034,035	0B06398A	SiD 1SS176
D036,037	0B06398A	SiD 1SS176
D038	0B06398A	SiD 1SS176
D039	0B06398A	SiD 1SS176
D042	0B06398A	SiD 1SS176
D044	0B06398A	SiD 1SS176
D046	0B06398A	SiD 1SS176
D047	0B06398A	SiD 1SS176
D055	0B12584A	SiD 1N4148
X001	0B92034A	Resonator 4.19MHz
L001	0B51291A	Choke Coil 470uH K
RA001,002	0C85399A	R Network 100Kx9
RA003	0B21119A	R Network 10Kx3
R003,004	0B09725A	RK 100K 1/6W J
R005	0B09725A	RK 100K 1/6W J
R006	0B09721A	RK 68K 1/6W J
R007	0B09709A	RK 22K 1/6W J
R008,009	0B09725A	RK 100K 1/6W J
R010	0B09725A	RK 100K 1/6W J
R011,012	0B09661A	RK 220 1/6W J
R013,014	0B09701A	RK 10K 1/6W J
R015	0B09661A	RK 220 1/6W J
R016	0B09701A	RK 10K 1/6W J
R017,018	0B09661A	RK 220 1/6W J
R019	0B09701A	RK 10K 1/6W J
R021	0B09701A	RK 10K 1/6W J
R022,023	0B09701A	RK 10K 1/6W J
R024,025	0B09701A	RK 10K 1/6W J
R026	0B09701A	RK 10K 1/6W J
R027	0B09677A	RK 1K 1/6W J
R028	0B09723A	RK 82K 1/6W J
R030,031	0B09701A	RK 10K 1/6W J

3.15. System Remote P.C.B. Ass'y

Schematic Ref. No.	Part No.	Description
	CB00069A	System Remote P.C.B. Ass'y
	0L00056A	System Remote P.C.B.
U601,602	0B06169A	IC TC4066BP
U701	0B06143A	IC uPD4001BC
U702	0B06219A	IC uPD4081BC
Q601	0B06452A	TR 2SD1406
Q602	0B06100A	TR 2SC945
Q603	0B06013A	TR 2SA733
Q604,605	0B06100A	TR 2SC945
Q606	0B06013A	TR 2SA733
Q607	0B06100A	TR 2SC945
Q701	0B10113A	TR 2SC1815 (G)
Q702	0B06013A	TR 2SA733
Q703	0B10113A	TR 2SC1815 (G)
Q704,705	0B06100A	TR 2SC945
Q706,707	0B06100A	TR 2SC945
Q708	0B06100A	TR 2SC945
Q709	0B10104A	TR DTC114TS
ZD602	0B12390A	ZD 13V B3
D431	0B12626A	SiD KBU6D
D432	0B12586A	SiD 1N4002L
D601	0B12713A	SiD W02G
D603,604	0B06398A	SiD 1SS176
D701,702	0B06398A	SiD 1SS176
D703,704	0B06398A	SiD 1SS176
D705,706	0B06398A	SiD 1SS176
D707,708	0B06398A	SiD 1SS176
D709,710	0B06398A	SiD 1SS176
D711,712	0B06398A	SiD 1SS176
D713,714	0B06398A	SiD 1SS176
D715	0B06398A	SiD 1SS176
R431	0B05615A	RK 22K 1/4W J
R601	0B09677A	RK 1K 1/6W J
R602	0B01857A	RK 1K 1/4W J
R603	0B09701A	RK 10K 1/6W J
R604	0B09649A	RK 68 1/6W J
R605	0B09661A	RK 220 1/6W J
R606	0B09653A	RK 100 1/6W J
R607	0B09683A	RK 1.8K 1/6W J
R608	0B09669A	RK 470 1/6W J
R609	0B09671A	RK 560 1/6W J
R610	0B09665A	RK 330 1/6W J
R611	0B09677A	RK 1K 1/6W J
R612	0B09679A	RK 1.2K 1/6W J
R613	0B09691A	RK 3.9K 1/6W J
R614	0B09651A	RK 82 1/6W J
R615	0B09701A	RK 10K 1/6W J
R616	0B09649A	RK 68 1/6W J
R617	0B09661A	RK 220 1/6W J
R618	0B09653A	RK 100 1/6W J
R619	0B09683A	RK 1.8K 1/6W J
R620	0B09669A	RK 470 1/6W J
R621	0B09671A	RK 560 1/6W J
R622	0B09665A	RK 330 1/6W J
R623	0B09677A	RK 1K 1/6W J
R624	0B09679A	RK 1.2K 1/6W J
R625	0B09691A	RK 3.9K 1/6W J
R626	0B09651A	RK 82 1/6W J
R627,628	0B09749A	RK 1M 1/6W J
R629,630	0B09749A	RK 1M 1/6W J
R631,632	0B09749A	RK 1M 1/6W J
R633,634	0B09650A	RK 75 1/6W J
R635	0B09650A	RK 75 1/6W J
R636	0B09725A	RK 100K 1/6W J
R701	0B09693A	RK 4.7K 1/6W J
R702	0B09733A	RK 220K 1/6W J
R703	0B09701A	RK 10K 1/6W J
R704	0B09685A	RK 2.2K 1/6W J
R705	0B09731A	RK 180K 1/6W J
R706	0B20093A	RK 1.5M 1/6W J

3.16. Main P.C.B. Ass'y

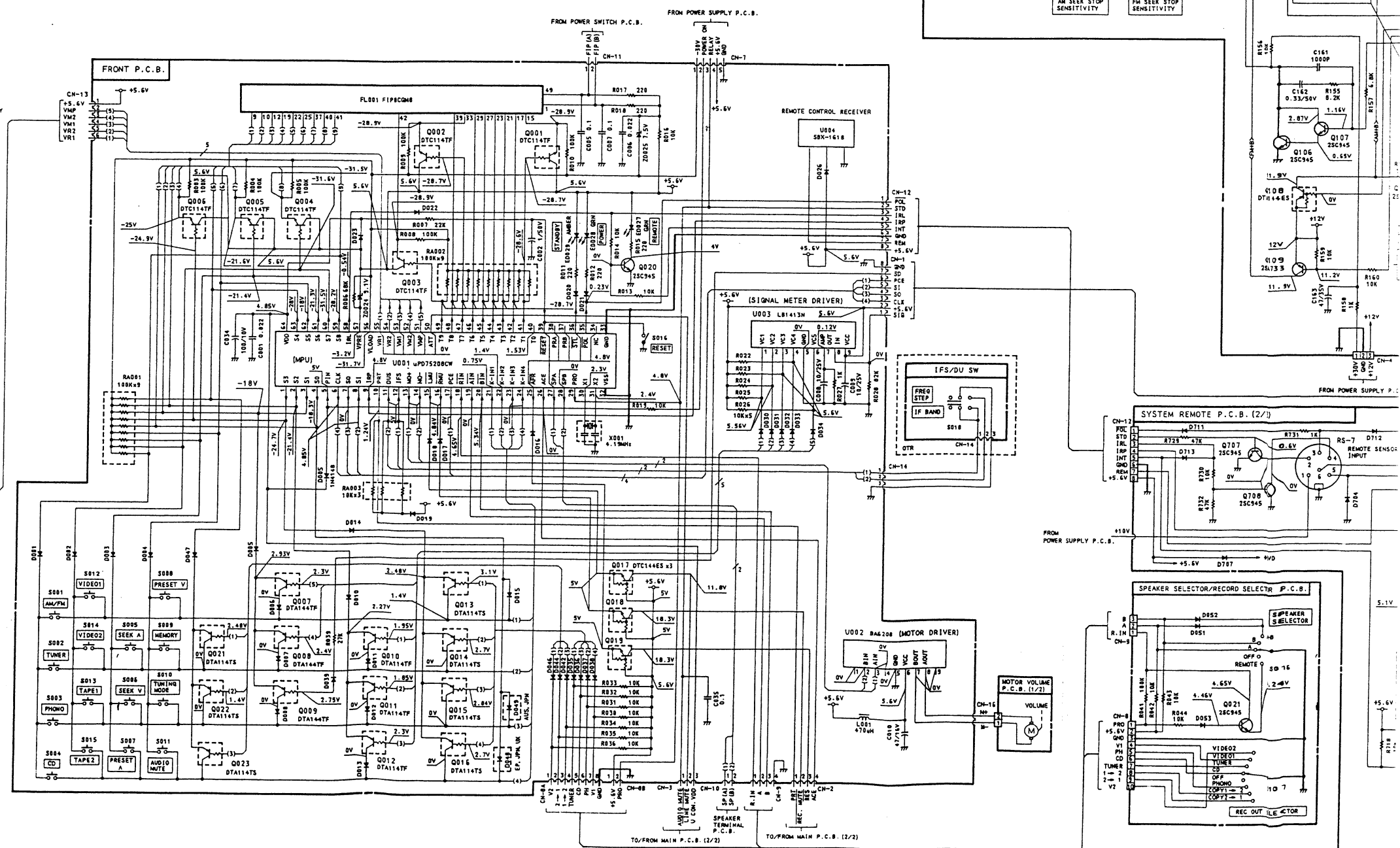
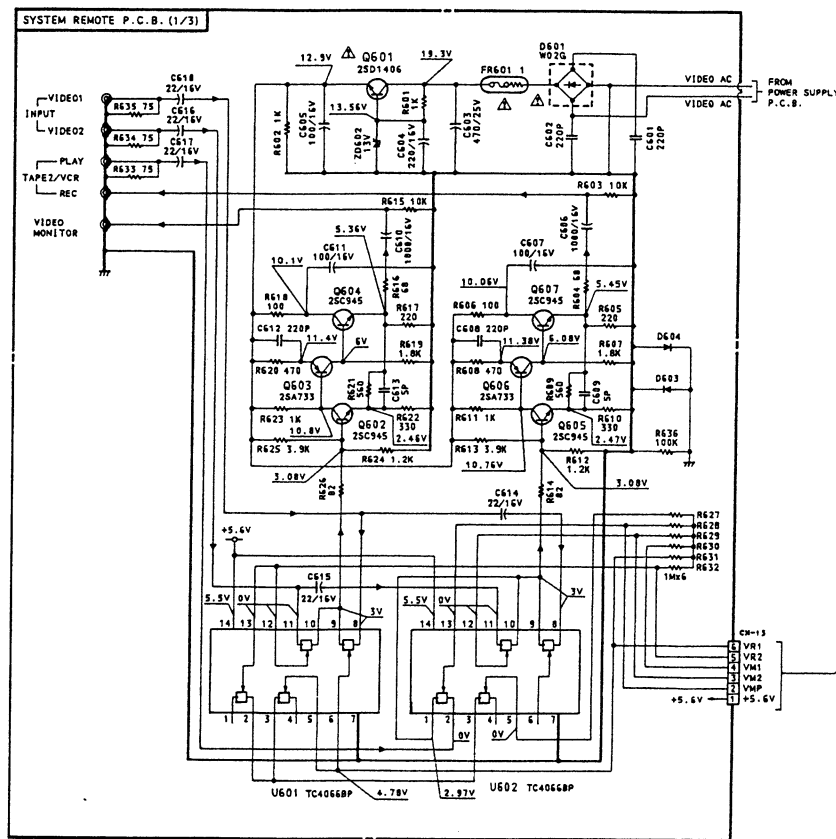
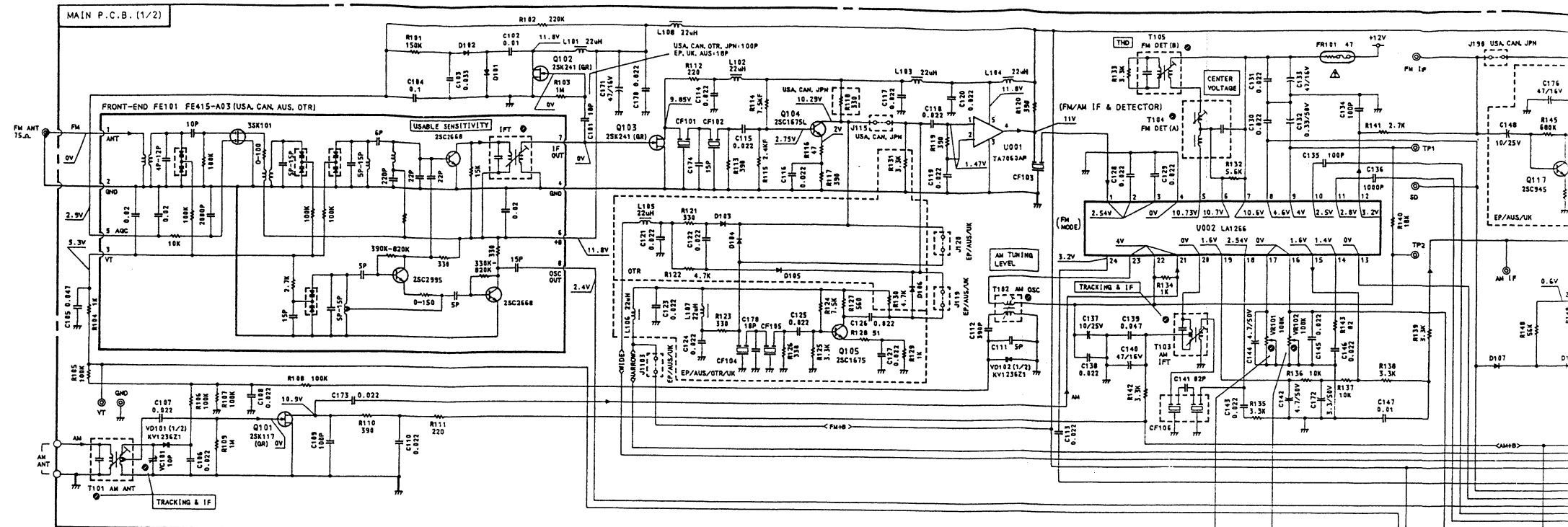
Schematic Ref. No.	Part No.	Description
R707	0B09739A	RK 390K 1/6W J
R708	0B09701A	RK 10K 1/6W J
R709	0B09709A	RK 22K 1/6W J
R710	0B09725A	RK 100K 1/6W J
R711	0B09701A	RK 10K 1/6W J
R712,713	0B09693A	RK 4.7K 1/6W J
R714	0B09677A	RK 1K 1/6W J
R715	0B09717A	RK 47K 1/6W J
R716	0B09701A	RK 10K 1/6W J
R717,718	0B09701A	RK 10K 1/6W J
R719,720	0B09717A	RK 47K 1/6W J
R721,722	0B09701A	RK 10K 1/6W J
R724	0B09637A	RK 22 1/6W J
R726	0B09637A	RK 22 1/6W J
R728	0B09661A	RK 220 1/6W J
R729	0B09717A	RK 47K 1/6W J
R730	0B09701A	RK 10K 1/6W J
R731	0B09677A	RK 1K 1/6W J
R732	0B09717A	RK 47K 1/6W J
R738	0B09749A	RK 1M 1/6W J
FR601	0C85552A	Fuse Resistor 1 1/4W
C431,432	0B41901A	CC 0.022 500V Z
C433,434	0B40519A	CE 10000 63V
C435,436	0B41176A	CML 0.22 63V J
C437	0B40836A	CE 4.7 50V
C601,602	0B41496A	CC 220P 50V J
C603	0B40094A	CE 470 25V
C604	0B40079A	CE 220 16V
C605	0B01400A	CE 100 16V
C606	0B40082A	CE 1000 16V
C607	0B01400A	CE 100 16V
C608	0B41496A	CC 220P 50V J
C609	0B09276A	CC 5P 50V C
C610	0B40082A	CE 1000 16V
C611	0B01400A	CE 100 16V
C612	0B41496A	CC 220P 50V J
C613	0B09276A	CC 5P 50V C
C614,615	0B40075A	CE 22 16V
C616,617	0B40075A	CE 22 16V
C618	0B40075A	CE 22 16V
C701	0B41286A	CML 0.01 50V J
C702	0B09187A	CE 1 50V (BP)
C703	0B40836A	CE 4.7 50V
CN12	0B81765A	8P T-Post
CN13	0B81763A	6P T-Post
CN18	0B81975A	2P T-Post
	0B81952A	Stereo Mini Jack HTJ-035-11 (3)
	0B81953A	6P Din Socket (1)
	0B81947A	1P Pin Jack (5)

Schematic Ref. No.	Part No.	Description
	CB00027A	Main P.C.B. Ass'y
	0L00023A	Main P.C.B.
U001	0B11156A	IC TA7060AP
U002	0B11875A	IC LA1266
U003	0B11876A	IC LA3401
U004	0B11877A	IC LC7218
U005	0B11050A	IC NJM4558S
U201	0B06387A	IC NJM2043DD
U202	0B11878A	IC LC7821
U203,204	0B11879A	IC LC7822N
U205	0B11529A	IC uPC4570HA
U302	0B11246A	IC uPC1237H
Q101	0B10181A	FET 2SK117 (GR)
Q102,103	0B10127A	FET 2SK241 (GR)
Q104	0B06115A	TR 2SC1675 (L)
Q106,107	0B06100A	TR 2SC945
Q108	0B10053A	TR DTA144ES
Q109	0B06013A	TR 2SA733
Q110	0B10053A	TR DTA144ES
Q113	0B06100A	TR 2SC945
Q114	0B06013A	TR 2SA733
Q115	0B06100A	TR 2SC945
Q119L,R	0B10053A	TR DTA144ES
Q120L,R	0B06299A	TR 2SC2878
Q122	0B06100A	TR 2SC945
Q201	0B06013A	TR 2SA733
Q202L,R	0B06299A	TR 2SC2878
Q203L,R	0B06299A	TR 2SC2878
Q204L,R	0B06299A	TR 2SC2878
Q205L,R	0B06299A	TR 2SC2878
Q206	0B06013A	TR 2SA733
Q207	0B06100A	TR 2SC945
Q208	0B06013A	TR 2SA733
Q209	0B06100A	TR 2SC945
Q301L,R	0B06142A	TR 2SC2240 (BL)
Q302L,R	0B06142A	TR 2SC2240 (BL)
Q303L,R	0B06142A	TR 2SC2240 (BL)
Q304L,R	0B10204A	TR 2SA1145
Q305L,R	0B10205A	TR 2SC2705
Q311L,R	0B06142A	TR 2SC2240 (BL)
Q312L,R	0B10050A	TR 2SA970 (BL)
Q313L,R	0B10205A	TR 2SC2705
Q314L,R	0B10050A	TR 2SA970 (BL)
Q315	0B06322A	TR 2SC2002 (K)
Q316	0B06372A	TR 2SA953
Q317,318	0B10248A	TR 2SD313 (E)
Q319	0B06013A	TR 2SA733
Q320,321	0B10264A	TR 2SB507 (E)
Q322,323	0B06100A	TR 2SC945
Q324,325	0B06013A	TR 2SA733
Q326	0B06100A	TR 2SC945
VD101	0B12606A	Varicap KV1236Z1
ZD303	0B06231A	ZD 11V B2
ZD306,307	0B12627A	ZD 18V B2
ZD308,309	0B12614A	ZD 12V B2
D101,102	0B06398A	SiD 1SS176
D107,108	0B06398A	SiD 1SS176
D109	0B06398A	SiD 1SS176
D111	0B06398A	SiD 1SS176
D117,118	0B06398A	SiD 1SS176
D119,120	0B06398A	SiD 1SS176
D121,122	0B06398A	SiD 1SS176
D123	0B06398A	SiD 1SS176
D124	0B12584A	SiD 1N4148
D126	0B12584A	SiD 1N4148
D201,202	0B06398A	SiD 1SS176
D301L,R	0B06398A	SiD 1SS176
D302L,R	0B06398A	SiD 1SS176
D304	0B12584A	SiD 1N4148
D305	0B12586A	SiD 1N4002L
D310	0B12586A	SiD 1N4002L
D311	0B06398A	SiD 1SS176

Schematic			Schematic			Schematic		
Ref. No.	Part No.	Description	Ref. No.	Part No.	Description	Ref. No.	Part No.	Description
D315L,R	0B12584A	SID 1N4148	R176	0B09727A	RK 120K 1/6W J	R313L,R	0B01933A	RK 220 1/4W J
X101	0B92006A	X'tal 7.2MHz	R177	0B09693A	RK 4.7K 1/6W J	R314L,R	0B09668A	RK 430 1/6W J
CF101,102	0B41918A	Ceramic Filter	R178	0B09677A	RK 1K 1/6W J	R315L,R	0B05641A	RK 47K 1/4W J
		SFE10.7ML-A-RED	R181L,R	0B22465A	RM 120K 1/4W F	R316L,R	0B20530A	RK 91 1/4W J
CF103	0B41918A	Ceramic Filter	R182L,R	0B22286A	RM 3.3K 1/4W F	R317L,R	0B01679A	RK 100 1/4W J
		SFE10.7ML-A-RED	R183L,R	0B22286A	RM 3.3K 1/4W F	R318L,R	0B09707A	RK 18K 1/6W J
CF106	0B41897A	Ceramic Filter	R184L,R	0B09727A	RK 120K 1/6W J	R319L,R	0B09301A	RK 2K 1/4W J
		SFZ450G3L	R185L,R	0B09685A	RK 2.2K 1/6W J	R320L,R	0B05577A	RK 330 1/4W J
CF107	0B41927A	Resonator CSB456F	R186L,R	0B09695A	RK 5.6K 1/6W J	R321L,R	0B01933A	RK 220 1/4W J
LF101,102	0B51295A	FM MPX Trap	R187L,R	0B09725A	RK 100K 1/6W J	R322L,R	0B05640A	RK 180K 1/4W J
		TWS-358-484	R188L,R	0B09725A	RK 100K 1/6W J	R323L,R	0B24226A	RC 0.22 5W
T101	0B51269A	AM Ant Coil	R189L,R	0B09725A	RK 100K 1/6W J	R324L,R	0B24226A	RC 0.22 5W
		TWS-385-638	R190L,R	0B09723A	RK 82K 1/6W J	R325L,R	0B01888A	RK 10K 1/4W J
T102	0B51270A	AM OSC Coil	R191L,R	0B09677A	RK 1K 1/6W J	R326L,R	0B09556A	RK 3.6K 1/4W J
		TWS-358-644	R192L,R	0B09725A	RK 100K 1/6W J	R327L,R	0B05560A	RK 18K 1/4W J
T103	0B51271A	AM IFT	R196	0B09731A	RK 180K 1/6W J	R328L,R	0B01889A	RK 100K 1/4W J
		TWS-358-645	R198	0B09709A	RK 22K 1/6W J	R329L,R	0B05627A	RK 330K 1/4W J
T104	0B51272A	FM DET (A)	R199	0B09701A	RK 10K 1/6W J	R330L,R	0B05627A	RK 330K 1/4W J
		TWS-358-636	R201L,R	0B09657A	RK 150 1/6W J	R331L,R	0B05509A	RK 33K 1/4W J
T105	0B51273A	FM DET (B)	R202L,R	0B09743A	RK 560K 1/6W J	R332L,R	0B09731A	RK 180K 1/6W J
		TWS-358-637	R203L,R	0B09718A	RK 51K 1/6W J	R334L,R	0B24229A	RF 3.3 1W
L101,102	0B51274A	Coil 22uH K	R204L,R	0B22229A	RM 1K 1/4W F	R337L,R	0B09334A	RK 11K 1/4W J
L103,104	0B51274A	Coil 22uH K	R205L,R	0B09725A	RK 100K 1/6W J	R338L,R	0B24208A	RF 330 2W
L108,109	0B51274A	Coil 22uH K	R206L,R	0B22542A	RM 560K 1/4W F	R339	0B01888A	RK 10K 1/4W J
L111	0L00018A	Coil 100uH	R207L,R	0B22419A	RM 47K 1/4W F	R340	0B01682A	RK 6.8K 1/4W J
L301L,R	0C85512A	Audio Coil 0.8uH	R208L,R	0B22229A	RM 1K 1/4W F	R341	0B20520A	RK 1.5K 1/2W J
VR101,102	0C85452A	Semi VR 100K	R209L,R	0B09725A	RK 100K 1/6W J	R342	0B09391A	RK 91K 1/4W J
VR103	0C85452A	Semi VR 100K	R211L,R	0B09645A	RK 47 1/6W J	R343	0B01933A	RK 220 1/4W J
VR105	0C85452A	Semi VR 100K	R212L,R	0B09719A	RK 56K 1/6W J	R344	0B01889A	RK 100K 1/4W J
VR301L,R	0C85510A	Semi VR 1K	R213L,R	0B09645A	RK 47 1/6W J	R345	0B05560A	RK 18K 1/4W J
R101	0B09729A	RK 150K 1/6W J	R214L,R	0B09719A	RK 56K 1/6W J	R346	0B05508A	RK 56K 1/4W J
R102	0B09733A	RK 220K 1/6W J	R215L,R	0B09645A	RK 47 1/6W J	R347	0B24248A	RF 3.3K 1W
R103	0B09749A	RK 1M 1/6W J	R216L,R	0B09719A	RK 56K 1/6W J	R348	0B09717A	RK 47K 1/6W J
R104	0B09677A	RK 1K 1/6W J	R217L,R	0B09681A	RK 1.5K 1/6W J	R349,350	0B24357A	RC 220 5W
R105,106	0B09725A	RK 100K 1/6W J	R218L,R	0B09725A	RK 100K 1/6W J	R351,352	0B20586A	RK 2.2K 1/2W J
R107,108	0B09725A	RK 100K 1/6W J	R219L,R	0B09717A	RK 47K 1/6W J	R353,354	0B20586A	RK 2.2K 1/2W J
R109	0B09749A	RK 1M 1/6W J	R220L,R	0B09645A	RK 47 1/6W J	R355,356	0B09673A	RK 680 1/6W J
R110	0B09667A	RK 390 1/6W J	R221L,R	0B09719A	RK 56K 1/6W J	R357,358	0B09685A	RK 2.2K 1/6W J
R111,112	0B09661A	RK 220 1/6W J	R222L,R	0B09681A	RK 1.5K 1/6W J	R359,360	0B09673A	RK 680 1/6W J
R113	0B09667A	RK 390 1/6W J	R223L,R	0B09725A	RK 100K 1/6W J	R361,362	0B09677A	RK 1K 1/6W J
R114	0B22329A	RM 7.5K 1/4W F	R224L,R	0B09717A	RK 47K 1/6W J	R1101L,R	0B09725A	RK 100K 1/6W J
R115	0B22270A	RM 2.4K 1/4W F	R225	0B09725A	RK 100K 1/6W J	FR101	0B24358A	Fuse Resistor 47 1/4W
R116	0B09645A	RK 47 1/6W J	R226L,R	0B09645A	RK 47 1/6W J	FR301L,R	0B24358A	Fuse Resistor 47 1/4W
R117	0B09667A	RK 390 1/6W J	R227L,R	0B09719A	RK 56K 1/6W J	FR302L,R	0B24358A	Fuse Resistor 47 1/4W
R118	0B09665A	RK 330 1/6W J	R229,228	0B09717A	RK 47K 1/6W J	VC101	0B42010A	C Trimmer 10P
R119,120	0B09667A	RK 390 1/6W J	R230	0B09717A	RK 47K 1/6W J	C101	0B41872A	CC 18P 50V J
R132	0B09695A	RK 5.6K 1/6W J	R234L,R	0B09653A	RK 100 1/6W J	C102	0B09290A	CC 0.01 50V Z
R133	0B09689A	RK 3.3K 1/6W J	R235L,R	0B09729A	RK 150K 1/6W J	C103	0B05583A	CML 0.033 50V J
R134	0B09677A	RK 1K 1/6W J	R236L,R	0B09743A	RK 560K 1/6W J	C104	0B09292A	CC 0.1 50V Z
R135	0B09689A	RK 3.3K 1/6W J	R237L,R	0B22457A	RM 100K 1/4W F	C105	0B09387A	CC 0.047 50V Z
R136,137	0B09701A	RK 10K 1/6W J	R238L,R	0B22229A	RM 1K 1/4W F	C106,107	0B09291A	CC 0.022 50V Z
R138,139	0B09689A	RK 3.3K 1/6W J	R239L,R	0B22351A	RM 12K 1/4W F	C108	0B09291A	CC 0.022 50V Z
R140	0B09707A	RK 18K 1/6W J	R240L,R	0B22351A	RM 12K 1/4W F	C109	0B41735A	CC 100P 50V J
R141	0B09687A	RK 2.7K 1/6W J	R241L,R	0B09677A	RK 1K 1/6W J	C110	0B09291A	CC 0.022 50V Z
R142	0B09689A	RK 3.3K 1/6W J	R249L,R	0B09701A	RK 10K 1/6W J	C111	0B09276A	CC 5P 50V C
R143	0B09651A	RK 82 1/6W J	R250L,R	0B09701A	RK 10K 1/6W J	C112	0B41215A	CPP 390P 100V J
R148,149	0B09719A	RK 56K 1/6W J	R251L,R	0B09653A	RK 100 1/6W J	C113	0B09291A	CC 0.022 50V Z
R150	0B09693A	RK 4.7K 1/6W J	R252	0B09725A	RK 100K 1/6W J	C114,115	0B09291A	CC 0.022 50V Z
R151	0B09695A	RK 5.6K 1/6W J	R253,254	0B09701A	RK 10K 1/6W J	C116,117	0B09291A	CC 0.022 50V Z
R154	0B09721A	RK 68K 1/6W J	R255	0B09725A	RK 100K 1/6W J	C118,119	0B09291A	CC 0.022 50V Z
R155	0B09699A	RK 8.2K 1/6W J	R256	0B09701A	RK 10K 1/6W J	C120	0B09291A	CC 0.022 50V Z
R156	0B09701A	RK 10K 1/6W J	R257	0B09717A	RK 47K 1/6W J	C128,129	0B09291A	CC 0.022 50V Z
R157	0B09697A	RK 6.8K 1/6W J	R258	0B09725A	RK 100K 1/6W J	C130,131	0B09291A	CC 0.022 50V Z
R158	0B09677A	RK 1K 1/6W J	R259	0B09717A	RK 47K 1/6W J	C132	0B40833A	CE 0.33 50V
R159,160	0B09701A	RK 10K 1/6W J	R260	0B09725A	RK 100K 1/6W J	C133	0B01403A	CE 47 16V
R161	0B09677A	RK 1K 1/6W J	R261	0B09717A	RK 47K 1/6W J	C134,135	0B41735A	CC 100P 50V J
R162	0B09741A	RK 470K 1/6W J	R262	0B09665A	RK 330 1/6W J	C136	0B09288A	CC 1000P 50V K
R163,164	0B09701A	RK 10K 1/6W J	R263L,R	0B01857A	RK 1K 1/4W J	C137	0B01674A	CE 10 25V
R167,168	0B09701A	RK 10K 1/6W J	R301L,R	0B09733A	RK 220K 1/6W J	C138	0B09291A	CC 0.022 50V Z
R169	0B09725A	RK 100K 1/6W J	R307L,R	0B09677A	RK 1K 1/6W J	C139	0B09387A	CC 0.047 50V Z
R170,171	0B09701A	RK 10K 1/6W J	R308L,R	0B09702A	RK 11K 1/6W J	C140	0B01403A	CE 47 16V
R172	0B09709A	RK 22K 1/6W J	R309L,R	0B09671A	RK 560 1/6W J	C141	0B41908A	CC 82P 50V J
R173	0B09719A	RK 56K 1/6W J	R310L,R	0B09671A	RK 560 1/6W J			
R174	0B09701A	RK 10K 1/6W J	R311L,R	0B09637A	RK 22 1/6W J			
R175	0B09725A	RK 100K 1/6W J	R312L,R	0B09637A	RK 22 1/6W J			

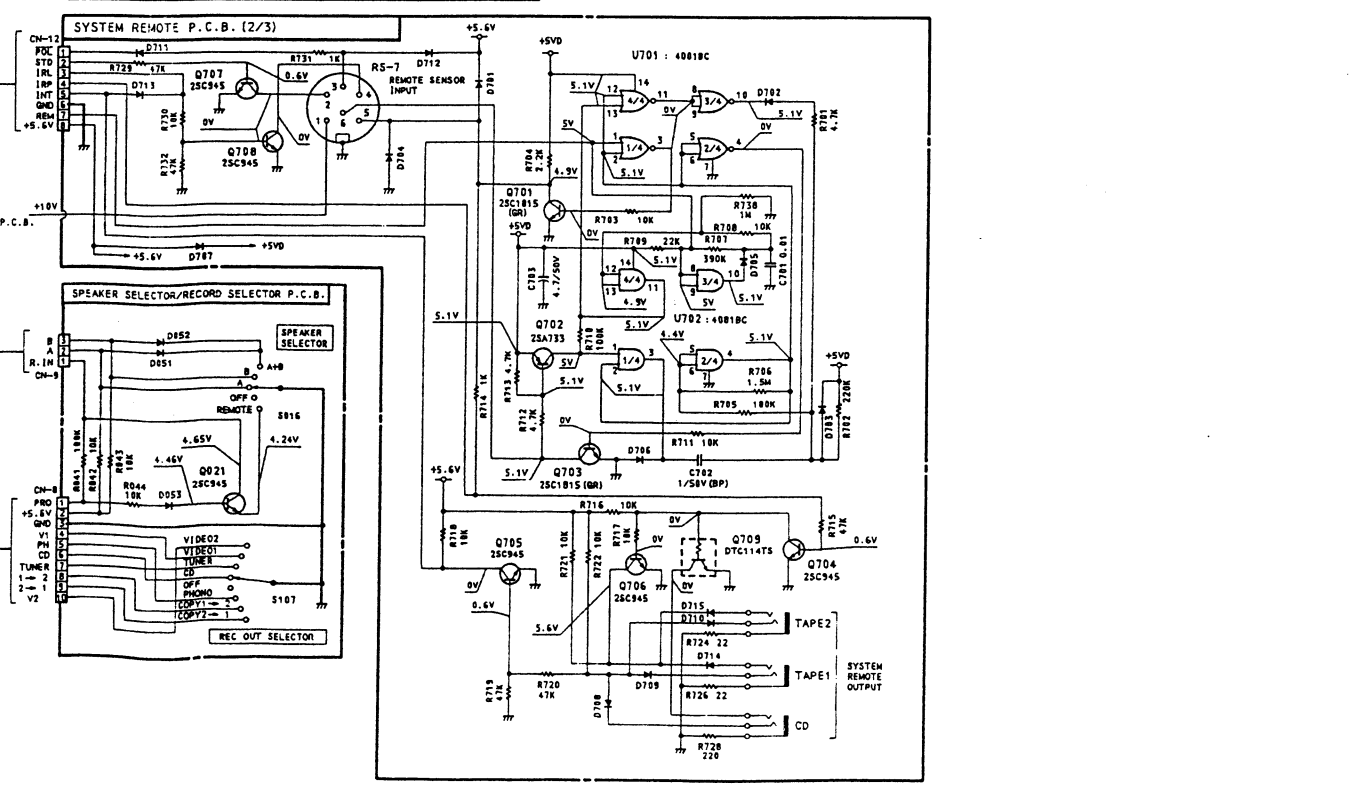
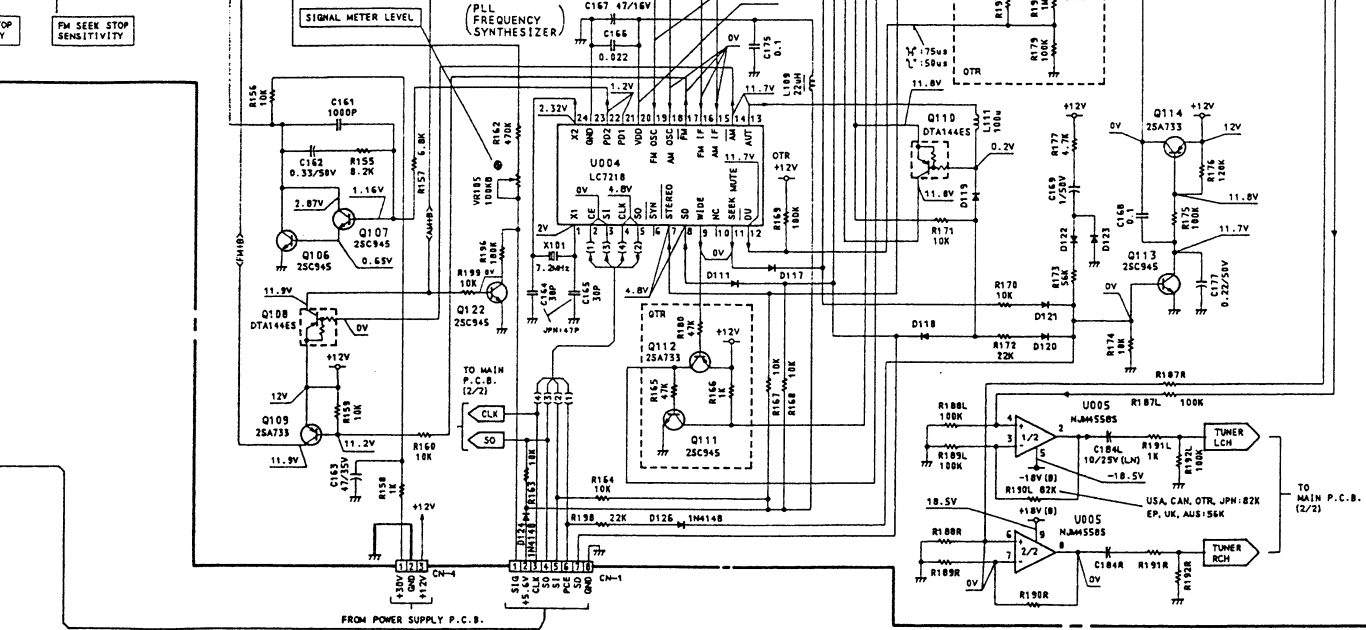
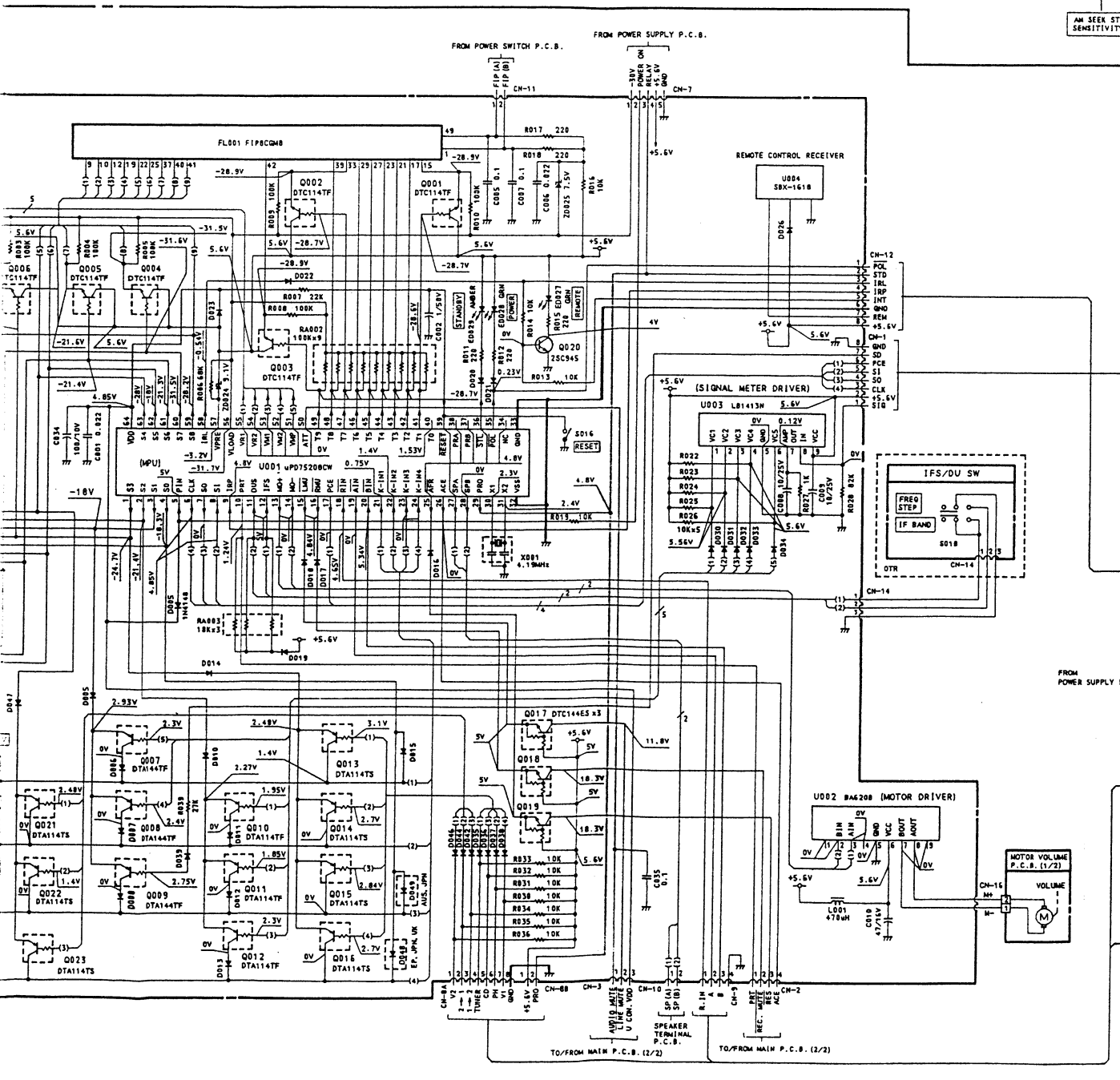
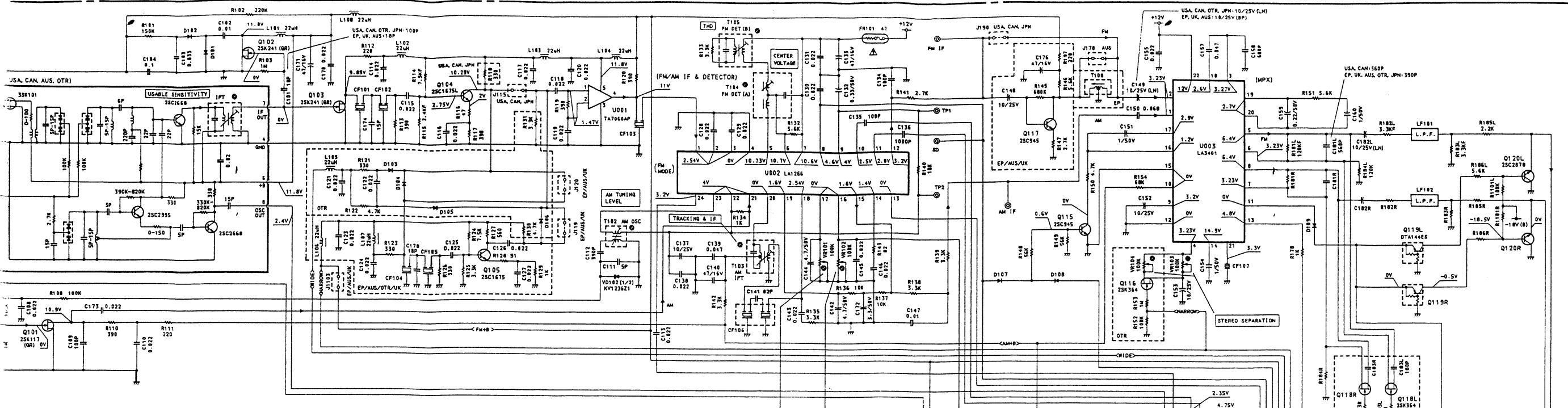
4. SCHEMATIC DIAGRAM

(1) Tuner Section

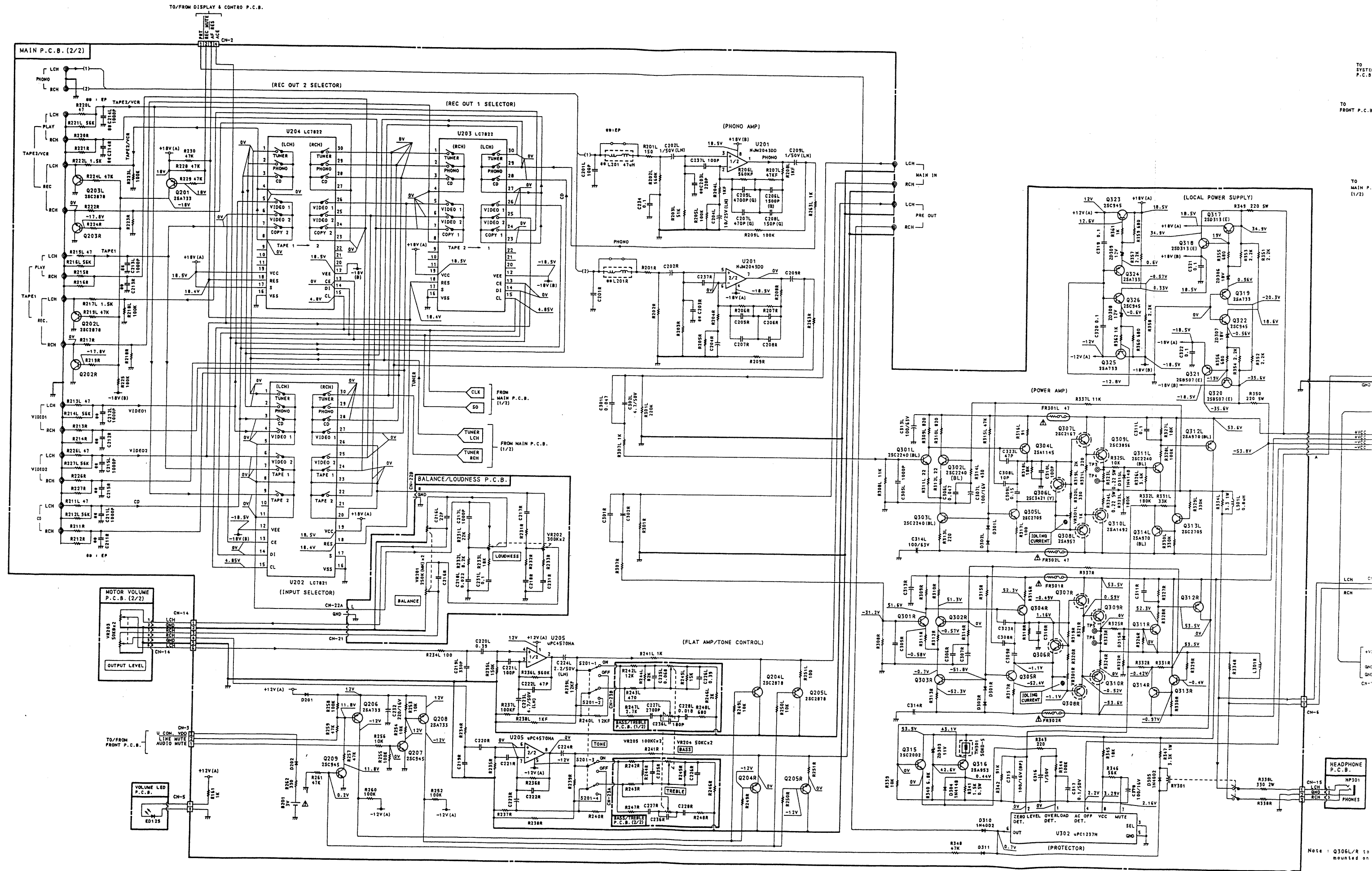


NOTES:

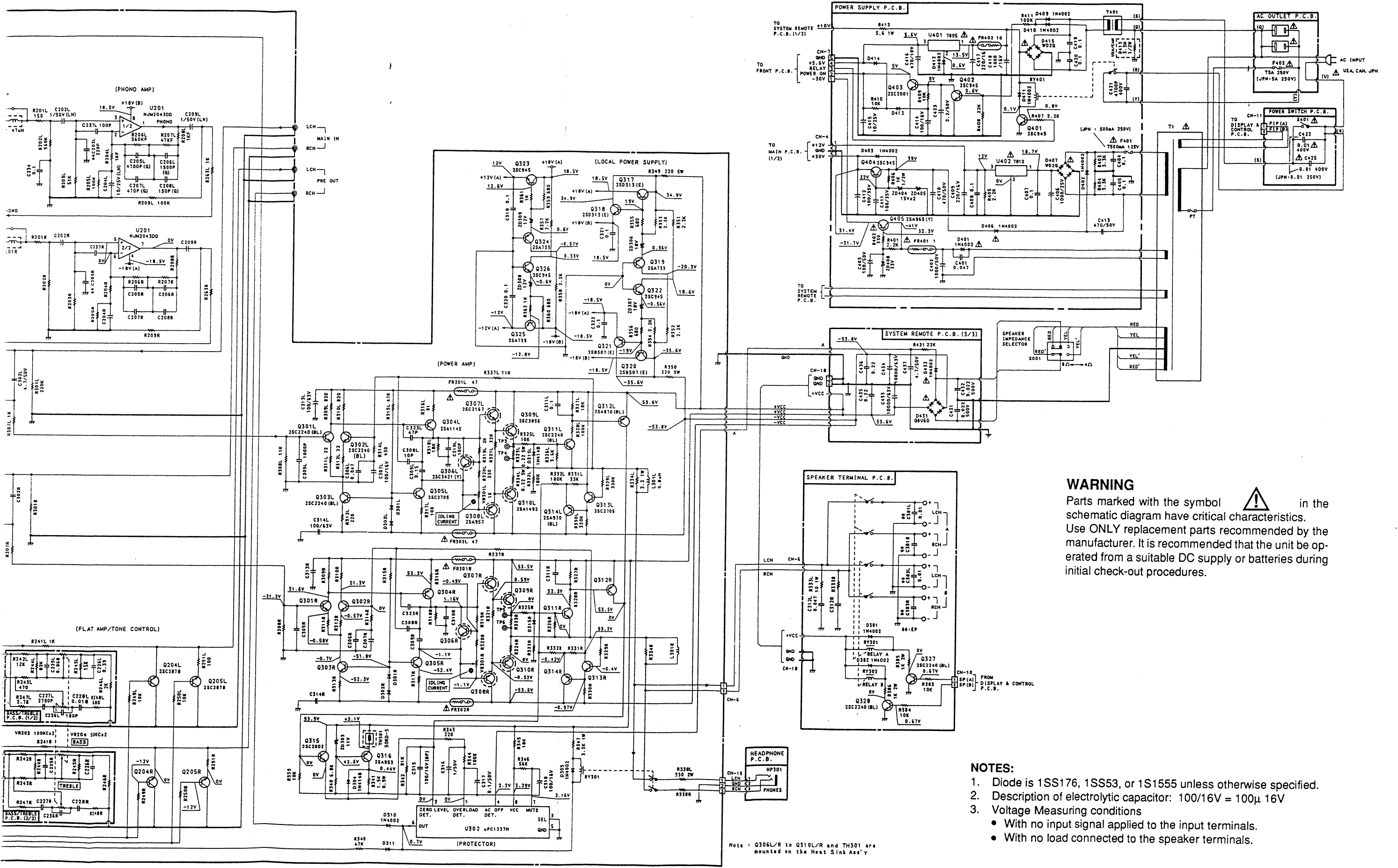
1. Diode is 1SS176, 1SS53, or 1S1555 unless otherwise specified.
2. Description of electrolytic capacitor: 100/16V = 100µ 16V
3. Voltage Measuring conditions
 - With no input signal applied to the input terminals.
 - With no load connected to the speaker terminals.




(2) Amplifier Section



Note: Q306/L to mounted on



WARNING

Parts marked with the symbol  in the schematic diagram have critical characteristics. Use ONLY replacement parts recommended by the manufacturer. It is recommended that the unit be operated from a suitable DC supply or batteries during initial check-out procedures.

NOTES:

1. Diode is 1SS176, 1SS53, or 1S1555 unless otherwise specified.
2. Description of electrolytic capacitor: 100/16V = 100µ 16V
3. Voltage Measuring conditions
 - With no input signal applied to the input terminals.
 - With no load connected to the speaker terminals.

Note: Q306L/R to Q310L/R and TH301 are mounted on the Heat Sink Assy