



# Service Manual

# Nakamichi

## SR-2

## SR-2A

## SR-2E

### Stereo Receiver



# CONTENTS

1.	General	1
2.	Parts Location for Electrical Adjustment	3
3.	Electrical Adjustments	4
3. 1.	Power Amplifier Section	4
3. 2.	Tuner Section	4
4.	Mechanism Ass'y and Parts List	7
4. 1.	Synthesis	7
4. 2.	Chassis Ass'y (A01)	8
4. 3.	Front Panel Ass'y (A02)	9
4. 4.	Rear Panel Ass'y (B01)	9
5.	Mounting Diagrams and Parts List	10
5. 1.	Power Switch P.C.B. Ass'y	10
5. 2.	AC Outlet P.C.B. Ass'y	10
5. 3.	Band Selector P.C.B. Ass'y	10
5. 4.	Volume P.C.B. Ass'y	11
5. 5.	Loudness Switch P.C.B. Ass'y	11
5. 6.	Speaker Switch P.C.B. Ass'y	12
5. 7.	Tone Control P.C.B. Ass'y	12
5. 8.	Speaker Terminal P.C.B. Ass'y	13
5. 9.	Power Supply P.C.B. Ass'y	13
5. 10.	Monitor Switch P.C.B. Ass'y	15
5. 11.	Control Switch P.C.B. Ass'y	16
5. 12.	Display P.C.B. Ass'y	17
5. 13.	Main P.C.B. Ass'y	19
5. 14.	Eq. Sub P.C.B. Ass'y	20
5. 15.	Phono Input P.C.B. Ass'y	30
6.	Schematic Diagrams	31
6. 1.	IC Block Diagrams	31
6. 2.	Schematic Diagrams	34
6.2.1.	Tuner and Power Supply Section	34
6.2.2.	Amplifier Section	37
7.	Wiring Diagrams	40
8.	Block Diagrams	42
8. 1.	Tuner Section	42
8. 2.	Amplifier Section	42
9.	Specifications	43

## 1. GENERAL

### 1.1. Voltage Selector

Voltage selector is installed on the rear panel for Other version of the Nakamichi SR-2.  
This voltage selector can select either 110 V, 120 V, 220 V or 240 V at customer's disposal.

Schematic Ref. No.	Part No.	Description	Q'ty	Schematic Ref. No.	Part No.	Description	Q'ty
01	FA03544A	Package Ass'y (SR-2 (Canada))	1	01	0B90070A	AM Loop Antenna Holder	1
	FA03546A	Package Ass'y (SR-2 (Australia))	1	02	0B90081A	Feeder Antenna	1
	FA03545A	Package Ass'y (SR-2 (Other))	1	03	0B90194A	Antenna Adapter F (SR-2 & SR-2A)	1
	FA03543A	Package Ass'y (SR-2A)	1	04	0B90208A	Antenna Adapter EP (SR-2E)	1
	FA03568A	Package Ass'y (SR-2E (Germany & Europe))	1		0B90198A	AM Loop Antenna	1
	0F03986A	Carton Box (SR-2)	1		0D03092B	Poly-Bag 320x340x0.08	1
	0F03985A	Carton Box (SR-2A)	1	0D04449A	Important Notice Card	1	
	0F03989B	Carton Box (SR-2E)	1	0D04651B	Owner's Manual SR-4/3/2 & SR-4A/3A/2A	1	
	0F03984B	Packing L	1	0D04764B	Owner's Manual SR-4E/3E/2E	1	
	0F03991A	Packing R	1	0D04673B	French Text (SR-4/3/2 (Canada))	1	
	0F03670A	Poly-Sheet	1	0D04674B	Owner's Manual Text (SR-4/3/2 (Australia))	1	
	0M03456A	Voltage Seal 220V (SR-2 (Other))	2	0D04675B	Owner's Manual Text (SR-4/3/2 (Other))	1	
	0M03457A	Voltage Seal 240V (SR-2 (Australia))	2	DA03873A	Warranty Card Ass'y (SR-2A)	1	
	DA03991A	Accessory Ass'y (SR-2 (Canada))	1	0D04766A	Catalogue (SR-2A)	1	
	DA03992A	Accessory Ass'y (SR-2 (Australia))	1	0D04767A	Warranty Card (SR-2 (Canada))	1	
DA04009A	Accessory Ass'y (SR-2 (Other))	1					
DA03990A	Accessory Ass'y (SR-2A)	1					
DA03996A	Accessory Ass'y (SR-2E (Europe))	1					
DA04055A	Accessory Ass'y (SR-2E (Germany))	1					

1.2. Package Ass'y and Parts List

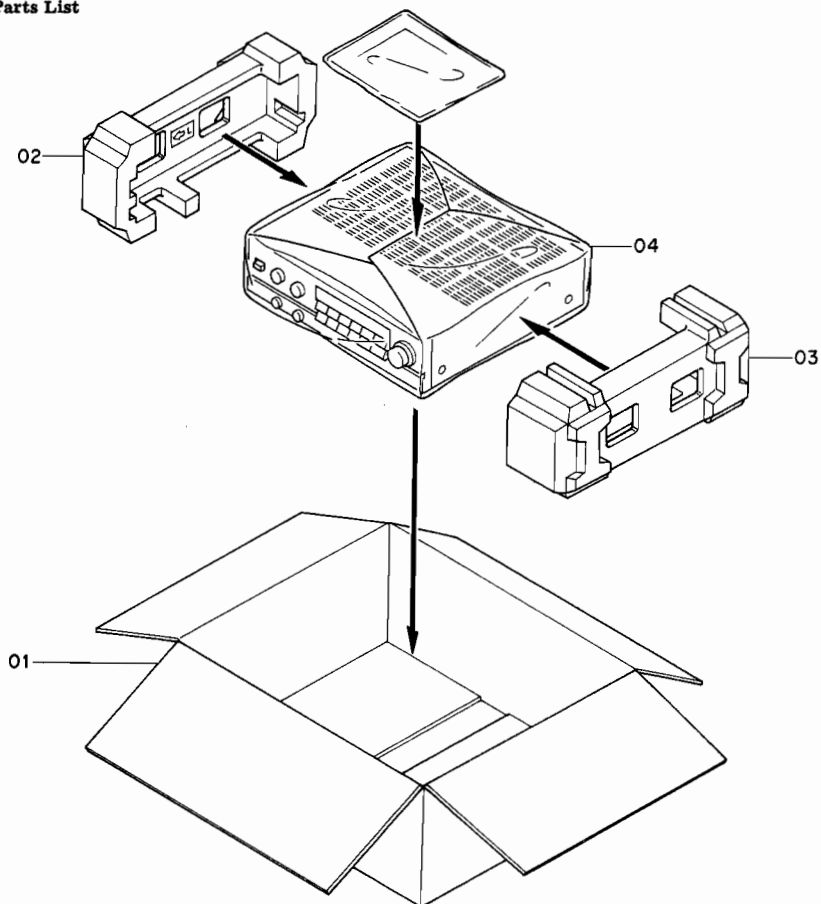


Fig. 1.1

1.3. Accessory Ass'y and Parts List

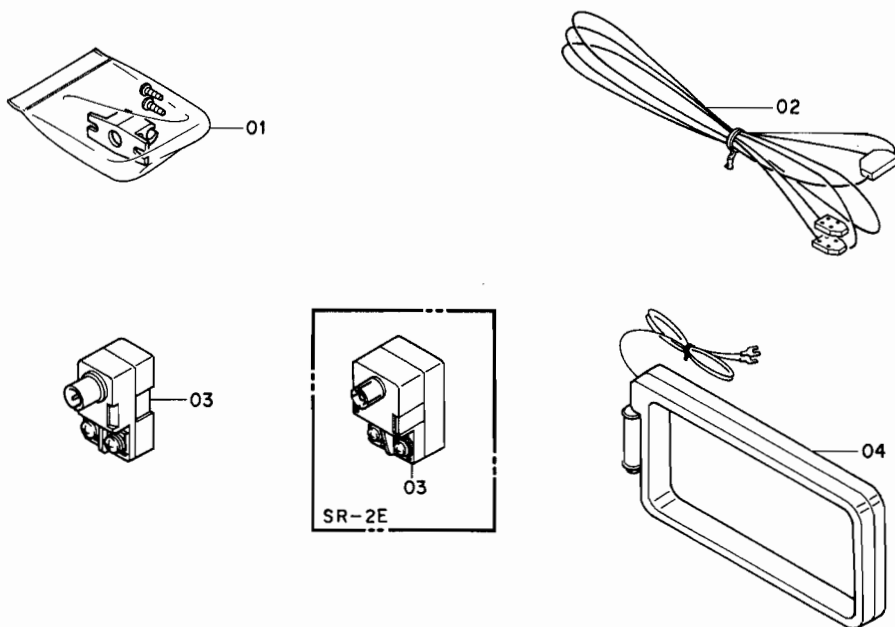


Fig. 1.2

2. PARTS LOCATION FOR ELECTRICAL ADJUSTMENT

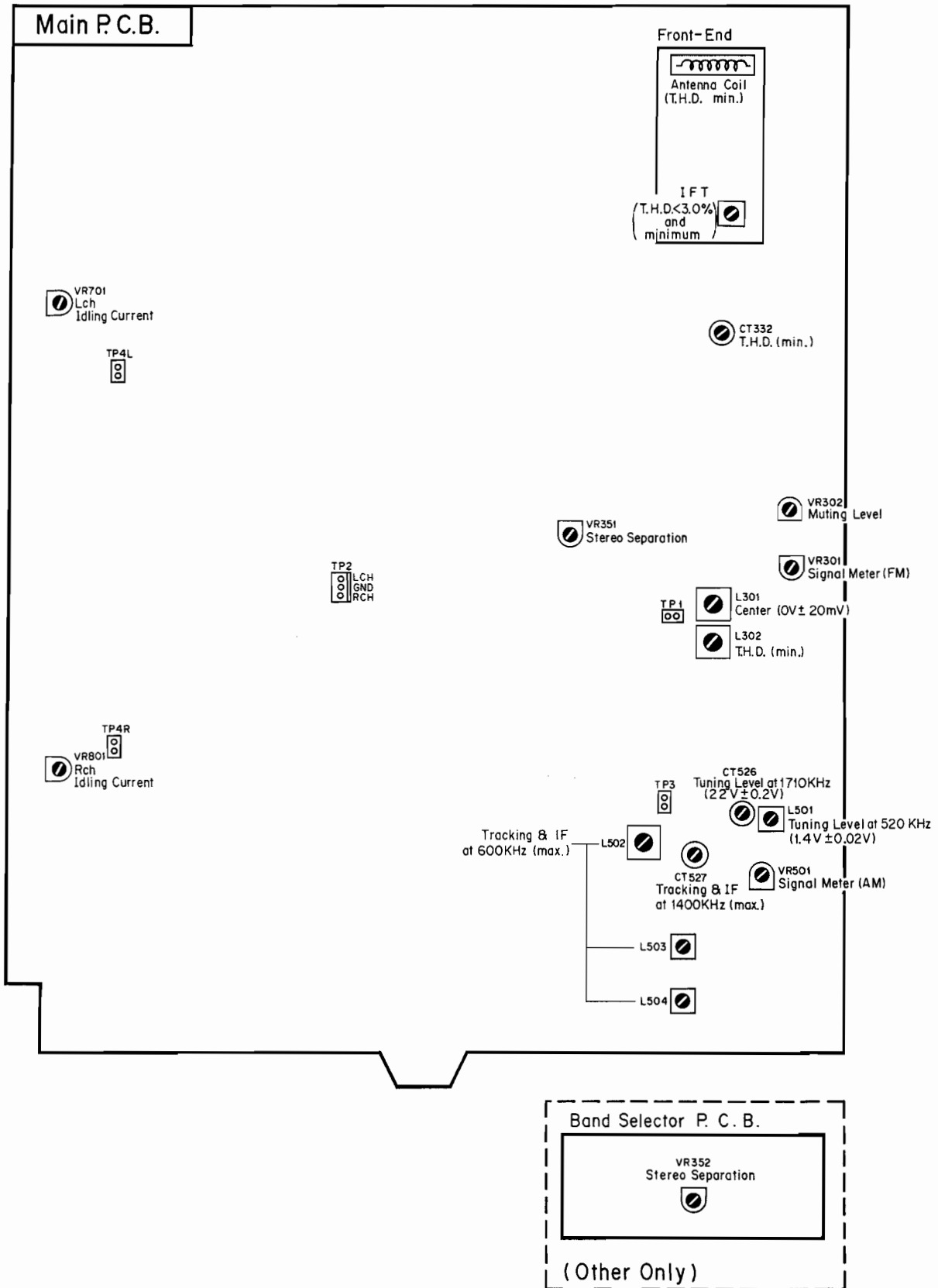


Fig. 2



### 3. ELECTRICAL ADJUSTMENTS

#### 3.1. Power Amplifier Section

STEP	ITEM	SIGNAL SOURCE	OUTPUT CONNECTION	MODE	ADJUSTMENT	REMARKS
1	Idling Current	None	DC Voltmeter between TP4L-1 & 2 and TP4R-1 & 2 on Main P.C.B.	Input Selector - CD Output Level - Min. Speaker Selector A/B - OFF	Main P.C.B. VR701 VR801	<ol style="list-style-type: none"> <li>1. Insert shorting plugs into the CD Player Input Jacks.</li> <li>2. Turn ON the power and allow 3 minutes before adjusting. (Top Cover must be installed in this period of time.)</li> <li>3. Adjust VR701 (VR801) to obtain 20 mV <math>\pm</math> 1 mV on the DC voltmeter.</li> </ol>

#### 3.2. Tuner Section

Note: Adjustment should be made in a shielded room in principle.

##### 3.2.1. FM Tuner Section

STEP	ITEM	OUTPUT CONNECTION	MODE	ADJUSTMENT	REMARKS
1	Preliminary Step	See Fig. 3.1	Stereo Receiver Input Selector - Tuner Band Selector - FM Tape Monitor - Source  Signal Generator Freq. - 98 MHz RF Level - 65 dBf Modulation - See REMARKS		<ol style="list-style-type: none"> <li>1. Set the Stereo Receiver as indicated in the MODE.</li> <li>2. Adjustment and confirmation should be made after tuning in to the set carrier frequency of the Signal Generator.</li> </ol> <p>Note: Contents of modulation</p> <ol style="list-style-type: none"> <li>1. For U.S.A., Canada &amp; Other (Wide)               <ul style="list-style-type: none"> <li>o Stereo Audio: 1 kHz, 91% Pilot: 19 kHz, 9%</li> <li>o Mono Audio: 1 kHz, 100%</li> </ul> </li> <li>2. For Europe, Germany, Australia &amp; Other (Narrow)               <ul style="list-style-type: none"> <li>o Stereo Audio: 1 kHz, 51% Pilot: 19 kHz, 9%</li> <li>o Mono Audio: 1 kHz, 60%</li> </ul> </li> </ol>
2	Usable Sensitivity Adjustment	Distortion Meter to Tape Record Output Jacks	Stereo Receiver Same as above  Signal Generator Freq. - 98 MHz RF Level - 12.5 dBf Modulation - Mono	Main P.C.B. Front-end IFT Antenna Coil (See Fig. 2)	<ol style="list-style-type: none"> <li>1. Set the Stereo Receiver to Manual mode by pressing the Tuning Mode button.</li> <li>2. Adjust the IFT to obtain minimum distortion (total harmonic distortion (THD): 3% or less).</li> <li>3. Adjust the distance between windings of antenna coil to obtain minimum distortion.</li> <li>4. Set the frequency of the Signal Generator to 90 MHz/106 MHz and check that the THD is 3% or less.</li> </ol>

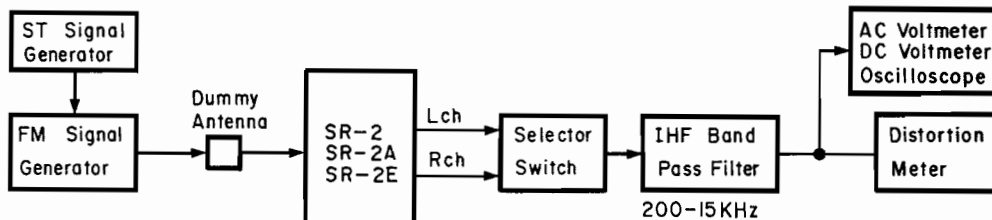


Fig. 3.1

STEP	ITEM	OUTPUT CONNECTION	MODE	ADJUSTMENT	REMARKS
3	Center Voltage and THD Adjustment	DC Voltmeter between TP1-1 & TP1-2 on Main P.C.B. and Distortion Meter to Tape Record Jacks	Stereo Receiver Same as above Signal Generator Freq. - 98 MHz RF Level - 65 dBf Modulation - Mono	Main P.C.B. L301 L302	1. Set the Stereo Receiver to Manual mode. 2. Adjust L301 so that the reading on the DC voltmeter is 0 V $\pm$ 20 mV. 3. Adjust L302 to obtain minimum distortion (THD: 0.07% or less). Repeat 2 and 3, if necessary.
4	Muting Level Adjustment	Oscilloscope to Tape Record Output Jacks	Stereo Receiver Same as above Signal Generator Freq. - 98 MHz RF Level - 30 dBf Modulation - Stereo	Main P.C.B. VR302	1. Set the Stereo Receiver to Auto mode. 2. Rotate VR302 fully counterclockwise. Then, return it clockwise gradually until a waveform appears on the oscilloscope. 3. Decrease the RF level of the Signal Generator until the waveform on the oscilloscope disappears. Then increase the RF level gradually until a waveform appears again. At this point, check that the RF level of the Signal Generator is 30 dBf $\pm$ 3 dB.
5	Signal Strength Meter Level Adjustment	None	Stereo Receiver Same as above Signal Generator Freq. - 98 MHz RF Level - 56 dBf Modulation - Stereo	Main P.C.B. VR301	1. Set the Stereo Receiver to Auto mode. 2. Adjust VR301 so that all segments (1-5) of the signal strength meter light up. 3. Decrease the RF level of the Signal Generator to distinguish the segment 5. Next, increase the RF level gradually so that the segment 5 starts illuminating. At this point, check that the RF level of the Signal Generator is 56 dBf $\pm$ 2 dB.
6	Stereo Separation Adjustment	AC Voltmeter to Tape Record Output Jacks	Stereo Receiver Same as above Signal Generator Freq. - 98 MHz RF Level - 65 dBf Modulation - L or R only	Main P.C.B. VR351 Band Selector P.C.B. VR352 (Other only)	<b>Except for Other version:</b> 1. Set the Stereo Receiver to Auto mode. 2. Apply modulation to only L channel. 3. Adjust VR351 to obtain minimum reading on the AC voltmeter at the R channel output jack. 4. Apply modulation to only R channel. 5. Check that the reading on the AC voltmeter at the L channel output jack is within $\pm$ 1 dB with respect to the reading in 3. If not, repeat 2 through 4.  <b>For Other version:</b> 1. Set the switches on the rear panel as follows: Freq. Step FM/AM - 100 kHz/10 kHz IF Band - Wide 2. Apply the same procedures as above. 3. Set the switches as follows: Freq. Step FM/AM - 50 kHz/9 kHz IF Band - Narrow 4. Apply the same procedures as mentioned above, except for VR352.

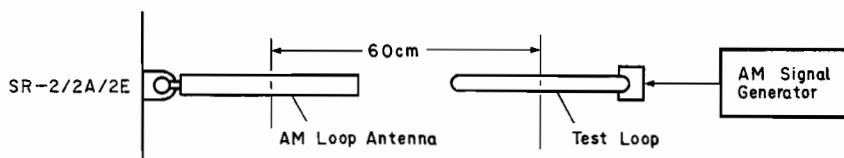


Fig. 3.2

STEP	ITEM	OUTPUT CONNECTION	MODE	ADJUSTMENT	REMARKS
7	Stereo/Mono Selection Check and THD Adjustment		Stereo Receiver Same as above  Signal Generator Freq. - 98 MHz RF Level - 65 dBf Modulation - Stereo/ Mono	Main P.C.B. CT332	1. Set the Stereo Generator to L=-R mode. 2. Set the Stereo Receiver to Manual mode and check that the Stereo indicator goes out and stereo outputs disappear. 3. Set the Stereo Receiver to Auto mode and adjust CT332 to obtain minimum distortion (THD: 0.09% or less).

### 3 2.2. AM Tuner Section

Note: Frequencies for Europe, Germany, Australia and Other (Narrow) are indicated in parentheses.

STEP	ITEM	OUTPUT CONNECTION	MODE	ADJUSTMENT	REMARKS
1	Tuning Level Adjustment	DC Voltmeter between TP3-1 and TP3-2 on Main P.C.B.	Stereo Receiver Input Selector - Tuner Band Selector - AM Tape Monitor - Source  Signal Generator Freq. - 520 (522) kHz/ 1710 (1611) kHz	Main P.C.B. L501 CT526	1. Set the frequency of the Signal Generator to 520 kHz (522 kHz) and make tuning. 2. Adjust L501 to obtain 1.4 V $\pm$ 0.02 V on the DC voltmeter. 3. Change the frequency to 1710 kHz (1611 kHz) and make tuning. 4. Adjust CT526 to obtain 22 V $\pm$ 0.2 V on the DC voltmeter. 5. If satisfactory results are not obtained, repeat 1 through 4.
2	Tracking and IF Adjustment	AC Voltmeter to Tape Record Output Jacks	Stereo Generator Same as above  Signal Generator Freq. - 600 (603) kHz/ 1400 (1404) kHz RF Level - 82 dB $\mu$ /m Modulation - 400 Hz 30%	Main P.C.B. L502 L503 L504 CT527	1. Set the measurement instruments as shown in Fig. 3.2. Set the distance between the AM Loop Antenna of the SR-2/2A/2E and a test loop to 60 cm. To obtain 56 dB $\mu$ /m at the AM Loop Antenna, set the RF level output of the AM Signal Generator to 82 dB $\mu$ /m as loss is 26 dB $\mu$ /m in this setting. 2. Set the frequency of the Signal Generator to 600 kHz (603 kHz) and make tuning. 3. Adjust L502 to obtain maximum reading on the AC voltmeter. 4. Adjust L503 to obtain maximum reading on the AC voltmeter. 5. Adjust L504 to obtain maximum reading on the AC voltmeter. 6. Set the frequency to 1400 kHz (1404 kHz) and make tuning. 7. Adjust CT527 to obtain maximum reading on the AC voltmeter. 8. Repeat 2 through 7 once.
3	Signal Strength Meter Level Adjustment	None	Stereo Generator Same as above  Signal Generator Freq. - 1000 (999) kHz RF Level - 106 dB $\mu$ /m	Main P.C.B. VR501	1. With the same setting as in Step 2, set the RF level output of the AM Signal Generator to 106 dB $\mu$ /m in order to obtain 80 dB $\mu$ /m at the AM Loop Antenna. 2. Adjust VR501 so that the segment 5 of the signal strength meter starts illuminating. Note: Before adjustment, select AM mode and wait for more than three minutes.

#### 4. MECHANISM ASS'Y AND PARTS LIST

##### 4.1. Synthesis

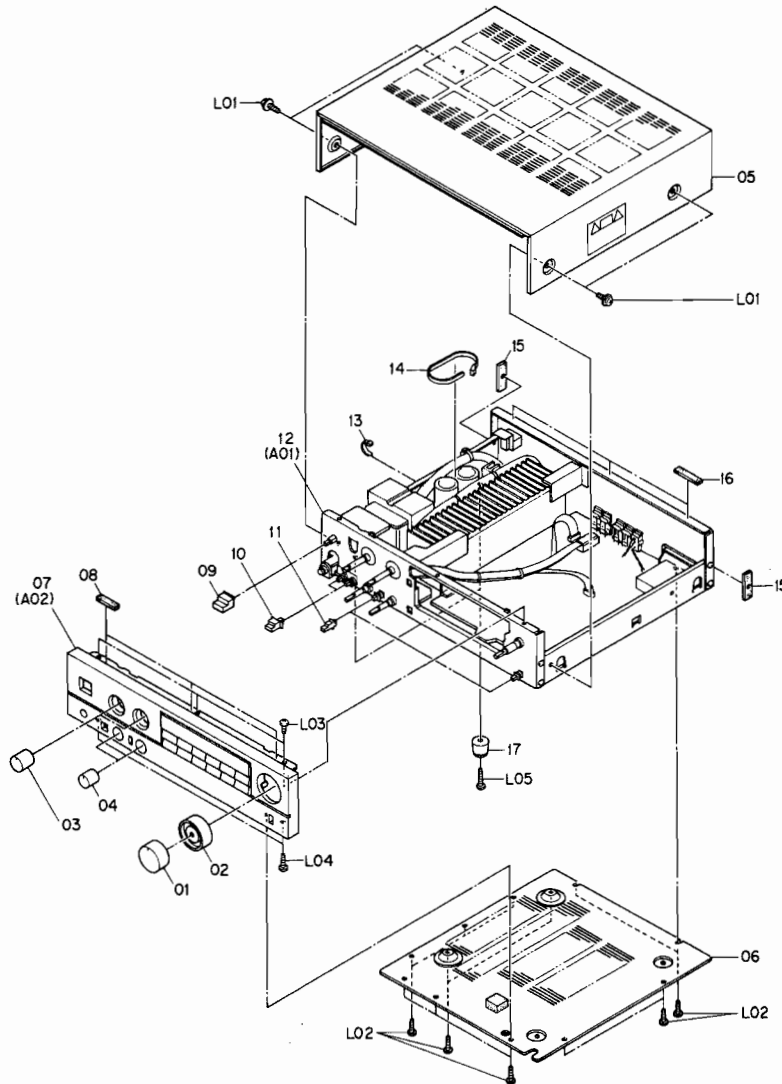


Fig. 4.1

Schematic Ref. No.	Part No.	Description	Qty	Schematic Ref. No.	Part No.	Description	Qty
		<b>Synthesis</b>			HA05097A	Front Panel Ass'y (SR-2A)	1
		Serial No.: D10401001 -			HA05096A	Front Panel Ass'y (SR-2E (Europe & Germany))	1
01	HA05103A	Volume Knob Ass'y	1	08	0J05364A	Top Cover Cushion T4	3
02	HA05104A	Balance Knob Ass'y	1	09	0H04947A	Power Switch Knob	1
03	HA05105A	Selector Knob Ass'y	2	10	0H04950B	Push Switch Knob 10L	2
04	HA05106A	Tone Control Knob Ass'y	2	11	0H04949B	Push Switch Knob 5L	2
05	HA05148A	Top Cover Ass'y (SR-2 (Canada & Australia), SR-2A & SR-2E (Europe & Germany))	1	12	JA04234A	Chassis Ass'y (SR-2 (Canada))	1
	HA05179A	Top Cover Ass'y (SR-2 (Other)) (Consisting of the followings:)	1		JA04236A	Chassis Ass'y (SR-2 (Australia))	1
	(0H04934C)	Top Cover	(1)		JA04235A	Chassis Ass'y (SR-2 (Other))	1
	(0M04377B)	Caution Label	(1)		JA04238A	Chassis Ass'y (SR-2A)	1
	(0J05261A)	Top Cover Cushion S	(3)		JA04237A	Chassis Ass'y (SR-2E (Europe))	1
	(0M04811A)	Voltage Caution Sheet (SR-2 (Other))	(1)	13	0B90019A	Insu-Lock SKB80	25
	(0M04812A)	Voltage Caution Label (SR-2 (Other))	(1)	14	0B08515A	Insu-Lock BK-1	5
				15	0J05226A	Side Cushion	2
				16	0J05363A	Top Cover Cushion T3	3
				17	0J05162A	Leg T-S	2
06	JA04245A	Bottom Cover Ass'y (Consisting of the followings:)	1	L01	0E03032A	BT4x8 @ Pan Washer-faced (Black Chromate)	4
	(0J05203C)	Bottom Cover	(1)	L02	0E00868A	BT3x8 @ Binding	12
	(0J05162A)	Leg T-S	(2)	L03	0E00857A	BT3x6 @ Binding	3
	(0M04377B)	Caution Label	(1)	L04	0E00921A	BT3x8 @ Binding (Black Chromate)	2
	(0E00888A)	BT3x12 @ Binding	(2)	L05	0E00888A	BT3x12 @ Binding	2
	(0J05214A)	P.C.B. Cushion	(1)				
07	HA05094A	Front Panel Ass'y (SR-2 (Canada))	1				
	HA05095A	Front Panel Ass'y (SR-2 (Australia & Other))	1				

Schematic Ref. No.	Part No.	Description	Qty
A01	JA04234A	Chassis Ass'y (SR-2 (Canada))	1
	JA04236A	Chassis Ass'y (SR-2 (Australia))	1
	JA04235A	Chassis Ass'y (SR-2 (Other))	1
	JA04238A	Chassis Ass'y (SR-2A)	1
	JA04237A	Chassis Ass'y (SR-2E (Europe))	1
	JA04287A	Chassis Ass'y (SR-2E (Germany))	1
		Serial No.: D10401001 -	
01	OJ05092A	Snap Plate	1
02	OJ05258B	Selector Knob Himelton	2
03	OJ05200C	Front Chassis	1
04	BA06250A	Power Switch P.C.B. Ass'y (SR-2 (Canada) & SR-2A)	1
	BA06252A	Power Switch P.C.B. Ass'y (SR-2 (Australia & Other))	1
	BA06251A	Power Switch P.C.B. Ass'y (SR-2E (Europe))	1
	BA06821A	Power Switch P.C.B. Ass'y (SR-2E (Germany))	1
05	BA06253A	Speaker Switch P.C.B. Ass'y	1
06	BA06256A	Monitor Switch P.C.B. Ass'y	1
07	OB70080A	Rotary Switch Controller 4-4	1
08	BA06244A	Tone Control P.C.B. Ass'y (SR-2, SR-2A & SR-2E (Europe))	1
	BA06817A	Tone Control P.C.B. Ass'y (SR-2E (Germany))	1
09	BA06243A	Volume P.C.B. Ass'y	1
10	BA06290A	Loudness Switch P.C.B. Ass'y	1
11	OJ05201C	Power Supply Chassis	1
12	OB50072A	Power Transformer (SR-2 (Canada) & SR-2A)	1
	OB50073A	Power Transformer (SR-2 (Australia) & SR-2E (Europe))	1
	OB50074A	Power Transformer (SR-2 (Other))	1
	OB50092A	Power Transformer (SR-2E (Germany))	1
13	BA06246A	Power Supply P.C.B. Ass'y (SR-2 (Canada & Other) & SR-2A)	1
	BA06247A	Power Supply P.C.B. Ass'y (SR-2 (Australia) & SR-2E (Europe))	1
	BA06820A	Power Supply P.C.B. Ass'y (SR-2E (Germany))	1
14	OJ05019A	Collar Bushing 10mm	2
15	OJ05208A	Collar Bushing 15mm	2
16	OB90210A	Insu-Lock T30MR-HS	4
17	OJ05206A	Heat Sink Holder B	1
18	OJ05227A	Heat Sink Holder D	1
19	BA06234A	Main P.C.B. Ass'y (SR-2 (Canada) & SR-2A)	1
	BA06309A	Main P.C.B. Ass'y (SR-2 (Australia))	1
	BA06236A	Main P.C.B. Ass'y (SR-2 (Other))	1
	BA06235A	Main P.C.B. Ass'y (SR-2E (Europe))	1
	BA06814A	Main P.C.B. Ass'y (SR-2E (Germany))	1
20	BA06283A	Speaker Terminal P.C.B. Ass'y (SR-2, SR-2A & SR-2E (Europe))	1
	BA06822A	Speaker Terminal P.C.B. Ass'y (SR-2E (Germany))	1
21	OB82759A	PD Connector (BLK) (SR-2 (Canada & Other) & SR-2A)	1
22	OB82758A	PD Connector (BRN) (SR-2 (Canada & Other) & SR-2A)	1
23	OB60388A	AC Outlet P.C.B. (SR-2 (Canada & Other) & SR-2A)	1
24	OJ05224A	Insulator (SR-2 (Canada))	1
25	HA05083A	Rear Panel Ass'y (SR-2 (Canada))	1
	HA05085A	Rear Panel Ass'y (SR-2 (Australia))	1
	HA05084A	Rear Panel Ass'y (SR-2 (Other))	1
	HA05087A	Rear Panel Ass'y (SR-2A)	1
	HA05086A	Rear Panel Ass'y (SR-2E (Europe & Germany))	1
26	OJ05202C	Side Chassis	1
27	BA06308A	Band Selector P.C.B. Ass'y (SR-2 (Other))	1
28	OB81738A	Ground Wire (SR-2E (Germany))	1
L01	OE00612A	M3x6 @ Pan (2A)	6
L02	OE00868A	BT3x8 @ Binding	18
L03	-	Nut M9	(1)
L04	-	Washer	(1)
L05	-	Nut M7	(4)
L06	-	Washer	(4)
L07	OE03217A	BT4x8 @ Binding	4
L08	OE03157A	BT3x8 @ Binding with Washer	5
L09	OE03071A	BT3x25 @ Binding	2
L10	OE00888A	BT3x12 @ Binding	1
L11	OE00921A	BT3x8 @ Binding (Black Chromate)	11

4.2. Chassis Ass'y (A01)

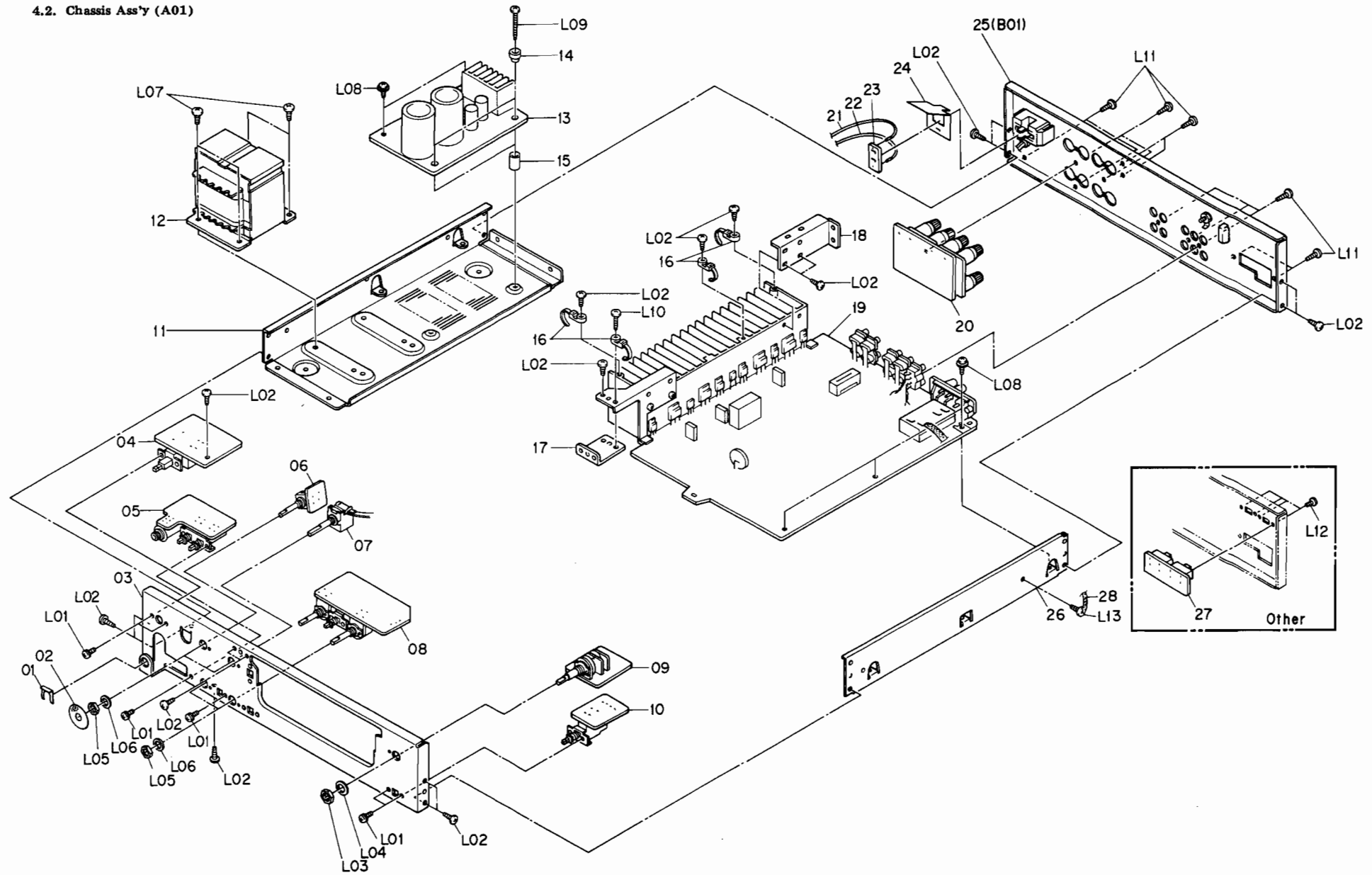


Fig. 4.2

Schematic Ref. No.	Part No.	Description	Qty
L12	OE00945A	M2,6x4 @ Binding (Black Chromate) (SR-2 (Other))	4
L13	OE03321A	ST3x6 @ Binding (SR-2E (Germany))	1

4.3. Front Panel Ass'y (A02)

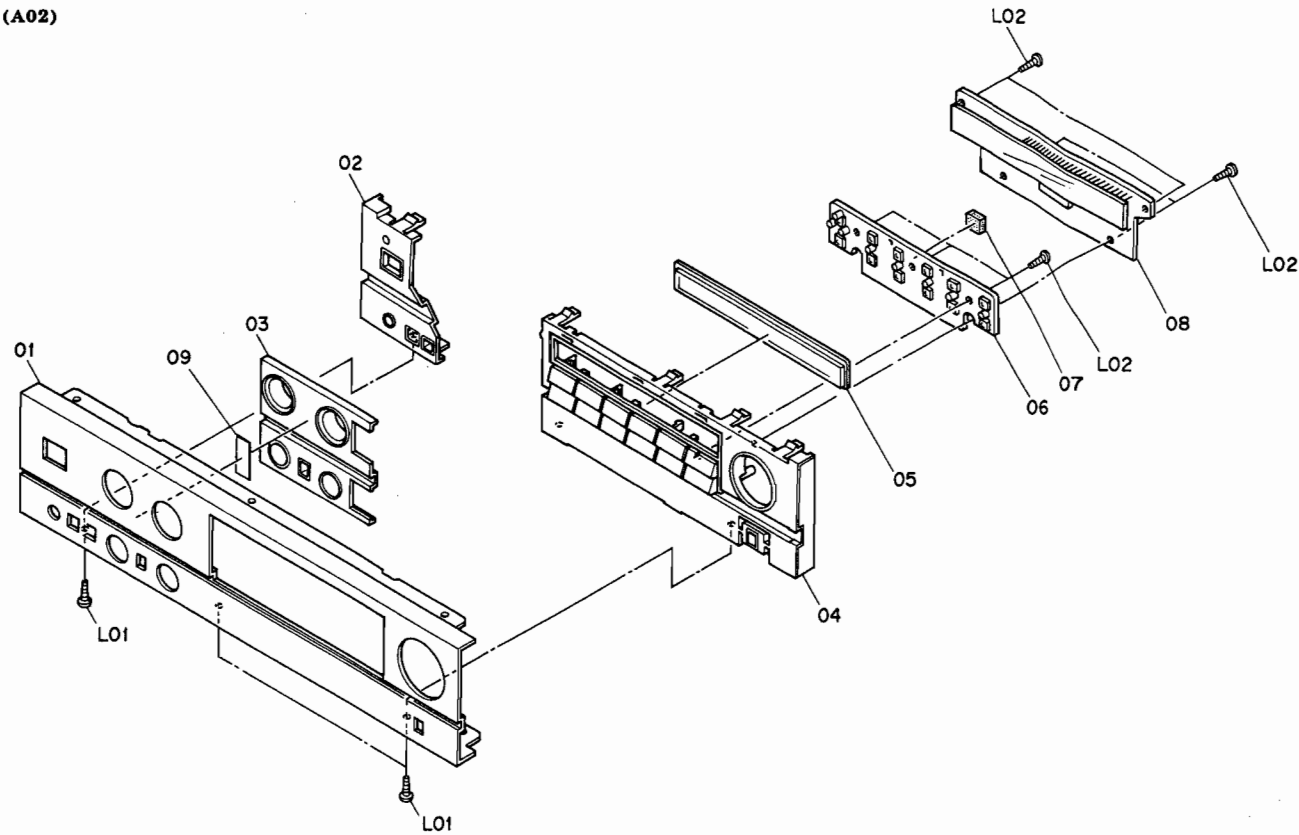


Fig. 4.3

4.4. Rear Panel Ass'y (B01)

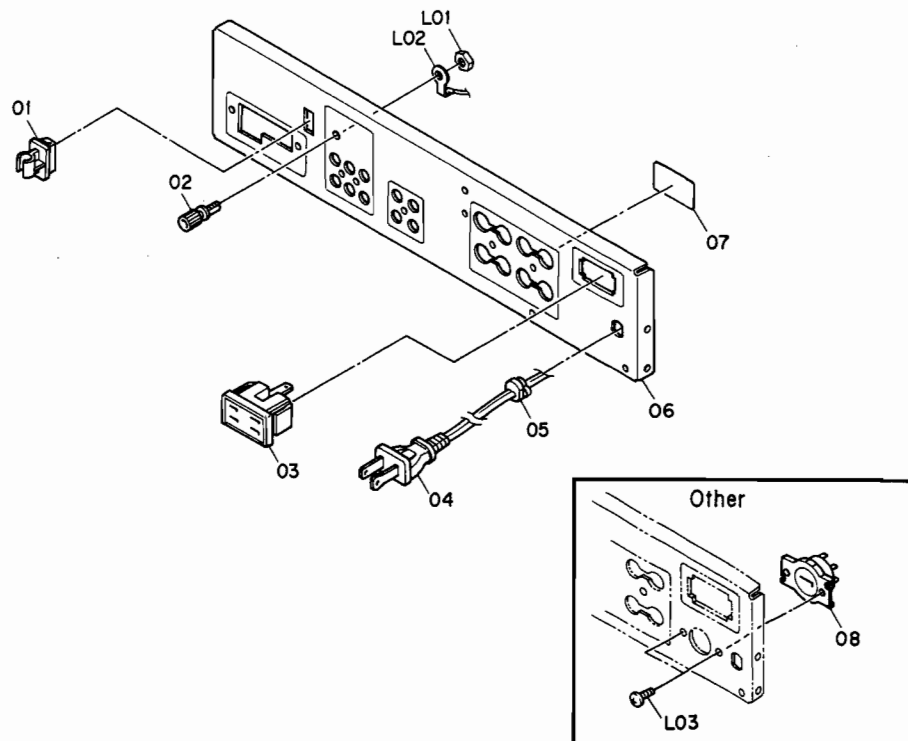


Fig. 4.4

Schematic Ref. No.	Part No.	Description	Qty	
A02	HA05094A	Front Panel Ass'y (SR-2 (Canada))	1	
	HA05095A	Front Panel Ass'y (SR-2 (Australia & Other))	1	
	HA05097A	Front Panel Ass'y (SR-2A)	1	
	HA05096A	Front Panel Ass'y (SR-2E (Europe & Germany))	1	
	Serial No.: D10401001 -			
	01	OH04921B	Front Panel (SR-2)	1
		OH04920B	Front Panel (SR-2A)	1
		OH04922A	Front Panel (SR-2E)	1
02	OH04935C	Front Escutcheon L	1	
03	OH05010A	Front Escutcheon C	1	
04	HA05102B	Front Escutcheon R Ass'y	1	
05	OH04938A	Display Lens	1	
06	BA06242A	Control Switch P.C.B. Ass'y	1	
07	OJ05262A	Indicator Cushion	1	
08	BA06240A	Display P.C.B. Ass'y (SR-2 (Canada) & SR-2A)	1	
	BA06241A	Display P.C.B. Ass'y (SR-2 (Australia & Other) & SR-2E (Europe & Germany))	1	
L01	OE00921A	BT 3x8 ♂ Binding (Black Chromate)	3	
L02	OE00868A	BT 3x8 ♂ Binding	7	
B01	HA05083A	Rear Panel Ass'y (SR-2 (Canada))	1	
	HA05085A	Rear Panel Ass'y (SR-2 (Australia))	1	
	HA05084A	Rear Panel Ass'y (SR-2 (Other))	1	
	HA05087A	Rear Panel Ass'y (SR-2A)	1	
	HA05086A	Rear Panel Ass'y (SR-2E (Europe & Germany))	1	
	Serial No.: D10401001 -			
	01	OB90071A	AM Loop Antenna Holder	1
	02	OB81604A	Ground Terminal T-5435	1
	03	OB81597A	AC Outlet 2P (SR-2 (Canada & Other) & SR-2A)	1
	04	OB90205A	Power Cord (SR-2 (Canada & Other) & SR-2A)	1
		OB05241A	Power Cord (SR-2 (Australia))	1
		OB08093U	Power Cord (SR-2E (Europe & Germany))	1
	05	OB08351A	Cord Bushing 4K-4 (SR-2 (Canada & Other) & SR-2A)	1
		OB08037U	Cord Bushing C (SR-2 (Australia & SR-2E (Europe & Germany))	1
	06	OH04927B	Rear Panel (SR-2 (Canada))	1
		OH04964B	Rear Panel (SR-2 (Australia))	1
		OH04929B	Rear Panel (SR-2 (Other))	1
		OH04926B	Rear Panel (SR-2A)	1
		OH04928A	Rear Panel (SR-2E (Europe & Germany))	1
	07	OM04380A	Barrier Caution Label (SR-2 (Canada) & SR-2A)	1
	08	OB70049A	Voltage Selector (SR-2 (Other))	1
	L01	-	Nut (Ground Terminal)	(1)
	L02	-	Earth Lug (Ground Terminal)	(1)
	L03	OE00985A	M3x6 ♂ Binding (Black Chromate) (SR-2 (Other))	2

## 5. MOUNTING DIAGRAMS AND PARTS LIST

- Notes: 1. Mounting diagram shows a dip side view of the printed circuit board.  
 2. Diode is 1SS53, 1S1555, or 1SS176 unless otherwise specified.  
 3. Following transistors are interchangeable with each other.  
 a. 2SA733, 2SA608SP, 2SA1048, 2SA1175  
 b. 2SC945, 2SC536SP, 2SC2458, 2SC2785  
 4. Abbreviation for part name:  
 TR — Transistor, SiD — Silicon Diode, ZD — Zener Diode, Varicap — Variable Capacitance Diode  
 RK — Carbon Resistor, RM — Metal Film Resistor, RF — Fail Safe Type Resistor, RC — Cement Resistor  
 CE — Electrolytic Capacitor, CM — Mylar Capacitor, CC — Ceramic Capacitor, CP — PP Capacitor,  
 CMM — Metalized Mylar Capacitor, CSP — Polystyrene Capacitor, C — Mica Capacitor

5.1. Power Switch P.C.B. Ass'y

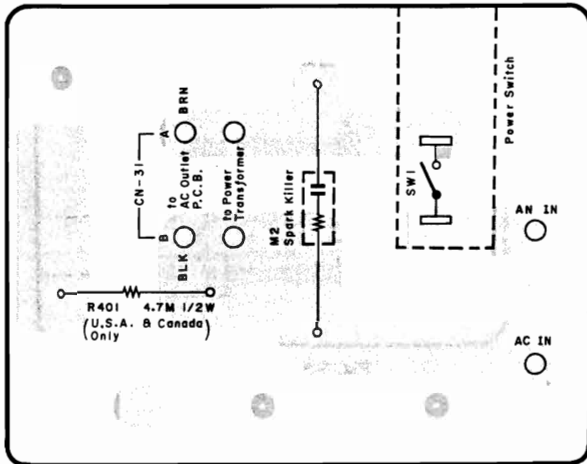


Fig. 5.1

5.2. AC Outlet P.C.B. Ass'y

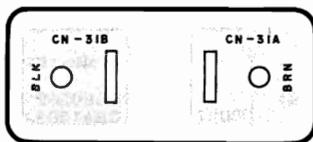


Fig. 5.2

5.3 Band Selector P.C.B. Ass'y

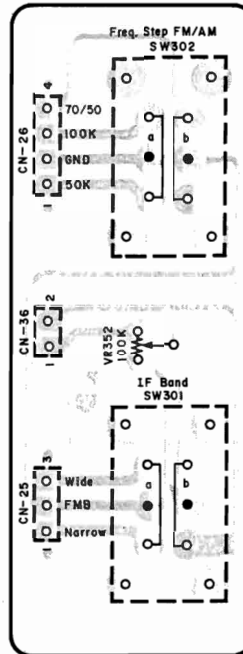


Fig. 5.3.1 2nd Version

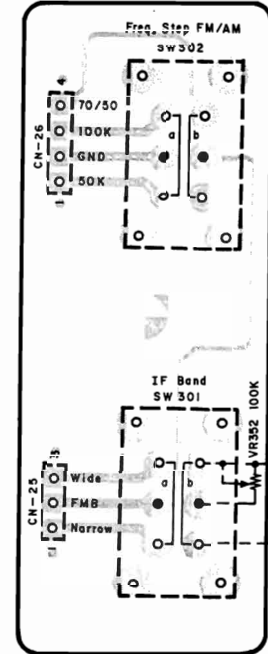


Fig. 5.3.2 1st Version

Schematic Ref. No.	Part No.	Description	Schematic Ref. No.	Part No.	Description
	BA06250A	Power Switch P.C.B. Ass'y (SR-2 (Canada) & SR-2A)		0E00752A	Eyelet 2x3 (2)
	BA06252A	Power Switch P.C.B. Ass'y (SR-2 (Australia & Other))		0E00147A	Earth Lug B-6 (SR-2 (Canada) & SR-2A) (1)
	BA06251A	Power Switch P.C.B. Ass'y (SR-2E (Europe))		BA06255A	AC Outlet P.C.B. Ass'y (SR-2 (Canada & Other) & SR-2A)
	BA06821A	Power Switch P.C.B. Ass'y (SR-2E (Germany))		0B60388A	AC Outlet P.C.B.
R401	0B60387B	Power Switch P.C.B. RK 4.7M 1/2W J (SR-2 (Canada) & SR-2A)	CN31A	0B82758A	PD Connector V450
	0B20057A	Power Switch P.C.B. Ass'y (SR-2 (Canada) & SR-2A)	CN31B	0B82759A	PD Connector V450
SW1 M2	0B71006A	Power Switch	VR352 SW301,302 CN25 CN26 CN36	BA06308A	Band Selector P.C.B. Ass'y (SR-2 (Other))
	0B08342A	Spark Killer (SR-2 (Canada) & SR-2A)		0B60378B	Band Selector P.C.B. Semi VR 100K
	0B08240A	Spark Killer (SR-2 (Australia & Other))		0B32099A	Slide Switch 22S
	0B90264A	Spark Killer XE-333 (SR-2E (Europe & Germany))		0B70039A	3P Connector 160
					0B82804A
			0B82805A	2P Connector S200	

5.4. Volume P.C.B. Ass'y

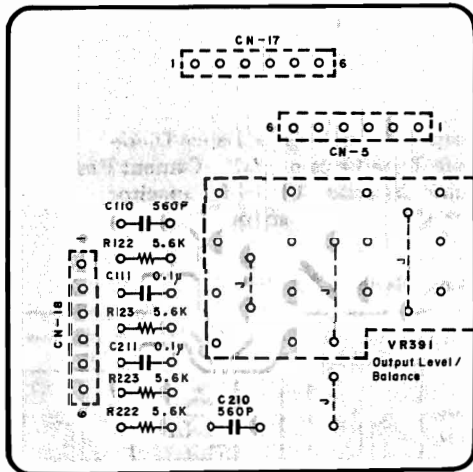


Fig. 5.4

5.5. Loudness Switch P.C.B. Ass'y

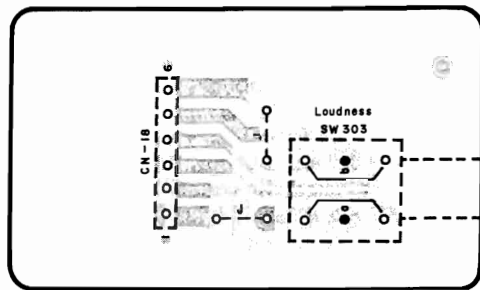


Fig. 5.5.1 2nd Version

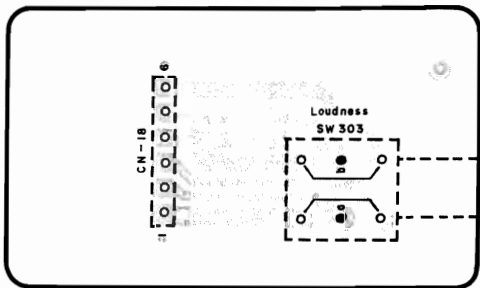


Fig. 5.5.2 1st Version

Schematic Ref. No.	Part No.	Description	Schematic Ref. No.	Part No.	Description	Schematic Ref. No.	Part No.	Description
VR391 R122,123 222,223 C110,210 C111,211 CN5,17 18	BA06243A	Volume P.C.B. Ass'y	Q105,106 205,206 Q107,207 411 Q108,208 410 ZD102,202 ZD402 R124,132 224,232 R125,225 R126,226 R127,227 R128,228 R129,229 R130,230 R131,231 R162,262 R410 R420 R421 C112,212	BA06244A	Tone Control P.C.B. Ass'y (SR-2, SR-2A & SR-2E (Europe))	C113,119 213,219 C114,214 C115,215 C116,216 SW304	OB09816A	CE 10μ 16V (LN)
	OB60383B OB30061A OB09695A	Volume P.C.B. VR RK1612420 RK 5.6K 1/6W J		BA06817A	Tone Control P.C.B. Ass'y (SR-2E (Germany))		OB09242A OB09302A OB05583A OB70074A	C 47P 50V J CM 100P 50V J CM 0.033μ 50V J Push Switch 1 Key
	OB41219A OB01780A OB81013A	CP 560P 100V J CM 0.1μ 50V J Dip Mate 6P WH6D-1		— Line Amp. —	— Miscellaneous —			
SW303 CN18 CN18	BA06290A	Loudness Switch P.C.B. Ass'y	OB10193A	FET 2SK184 (GR)	C027,028 CN3 CN6,17 19,19 CN20,20 AJ BJ	OB60382B OB41803A	Tone Control P.C.B. C 470P 50V J (SR-2E (Germany))	
	OB60390B	Loudness Switch P.C.B. Push Switch 1 Key Dip Mate 6P WH6D-1	OB10050A	TR 2SA970 (BL)		OB82793A OB81013A	3P Connector 500 Dip Mate 6P WH6D-1	
	OB70074A OB81013A	Dip Mate 6P WH6D-1	OB06142A	TR 2SC2240 (BL)		OB81010A	Dip Mate 3P WH3D-1	
R742,842 CN23A CN23B CN33	BA06253A	Speaker Switch P.C.B. Ass'y	OB12150A	ZD 5.6V RD5.6JS-T1B2	OB82040B OB82041B OB82734B OB82735B OB82737B OB82738B	OB82040B OB82041B OB82734B	PD Connector V050 PD Connector V050 Ribbon Cable 6P 500mm (1)	
	OB60385C	Speaker Switch P.C.B. RF 330 1W J	OB12174A	ZD 12V RD12JS-T1B2		OB82735B	Ribbon Cable 6P 320mm (1)	
	OB24104A OB82744B OB82745B OB82760A OB70075A	PD Connector V600 PD Connector V720 PD Connector V350 Push Switch 2 Key (1)	OB22229A	RM 1.00K 1/6W F		OB82737B	Ribbon Cable 6P 120mm (1)	
OB81478A	Headphone Jack (1)	OB22315A OB22371A OB22265A OB22347A OB09673A OB09679A OB09695A OB22515A OB09677A OB09665A OB09685A OB41703A	RM 5.62K 1/6W F RM 18.2K 1/6W F RM 2.20K 1/6W F RM 11.0K 1/6W F RK 680 1/6W J RK 1.2K 1/6W J RK 5.6K 1/6W J RM 332K 1/6W F RK 1K 1/6W J RK 330 1/6W J RK 2.2K 1/6W J CSP 100P 50V J (SR-2, SR-2A & SR-2E (Europe)) CSP 330P 50V J (SR-2E (Germany))	OB41704A	CSP 100P 50V J (SR-2, SR-2A & SR-2E (Europe)) CSP 330P 50V J (SR-2E (Germany))	Ribbon Cable 3P 140mm (1)		
			IC393 VR392 VR393 R134,234 R135-138 235-238 R139,239	— Tone Amp. —	OB11070A OB30062A OB30063A OB09725A OB09715A OB09723A	IC NJM072S VR 100K (B)x2 VR 500K (B)x2 RK 100K 1/6W J RK 39K 1/6W J (8) RK 82K 1/6W J		



5.6. Speaker Switch P.C.B. Ass'y

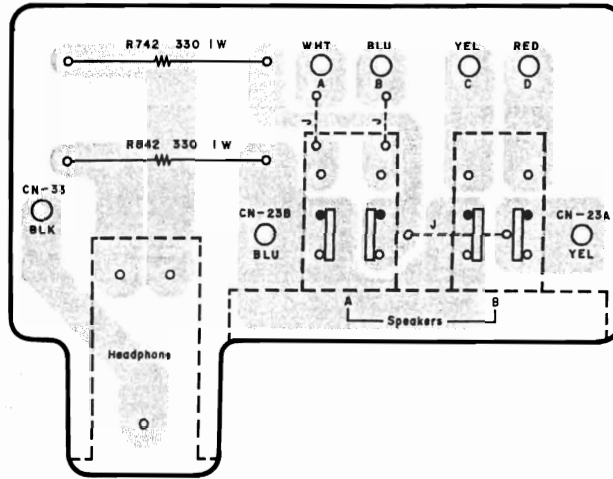


Fig. 5.6

5.7. Tone Control P.C.B. Ass'y

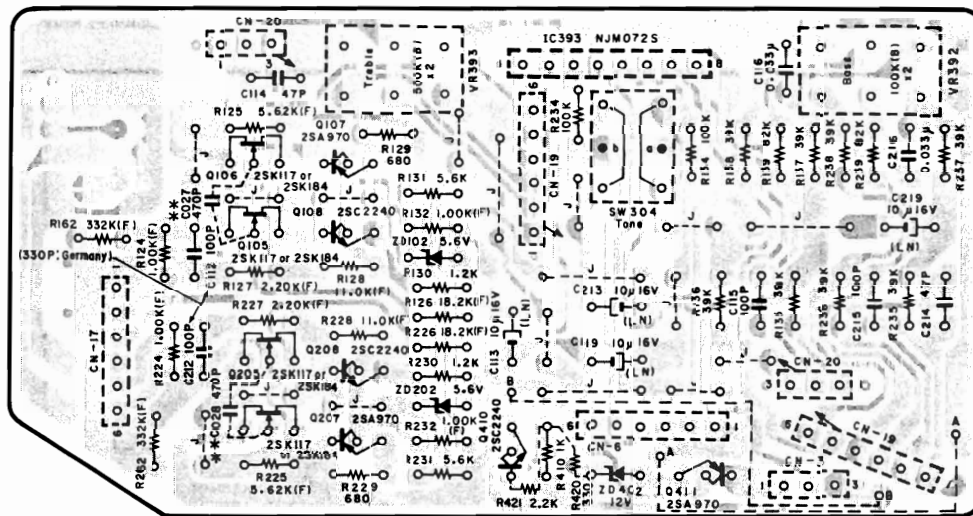


Fig. 5.7.1 2nd Version

\*\* : SR-2E (Germany) only.

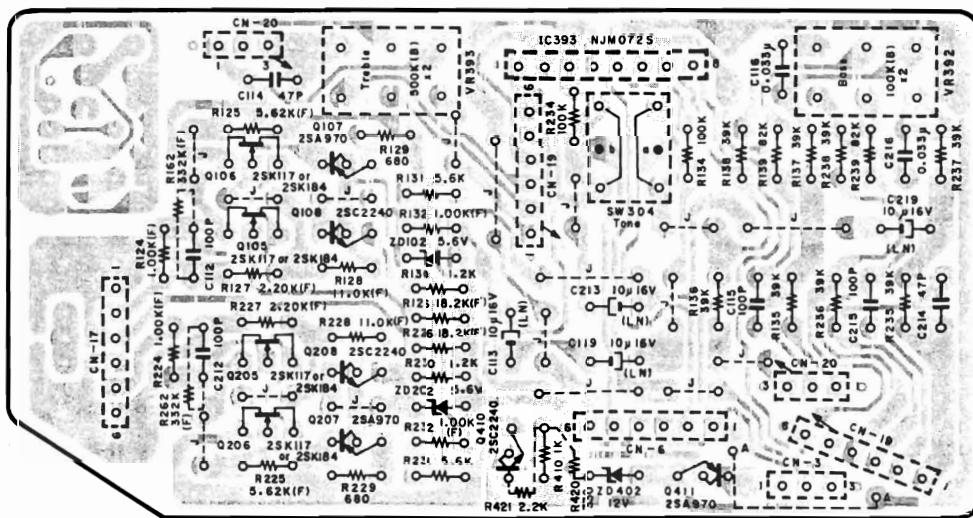


Fig. 5.7.2 1st Version (For SR-2 & SR-2A only)

5.8. Speaker Terminal P.C.B. Ass'y

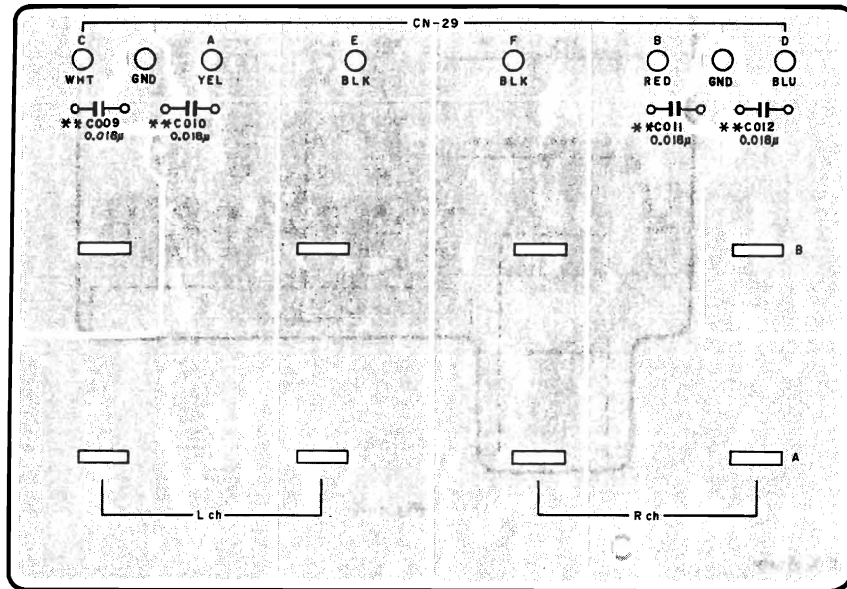


Fig. 5.8

\*\* SR-2E (Germany) only.

5.9. Power Supply P.C.B. Ass'y

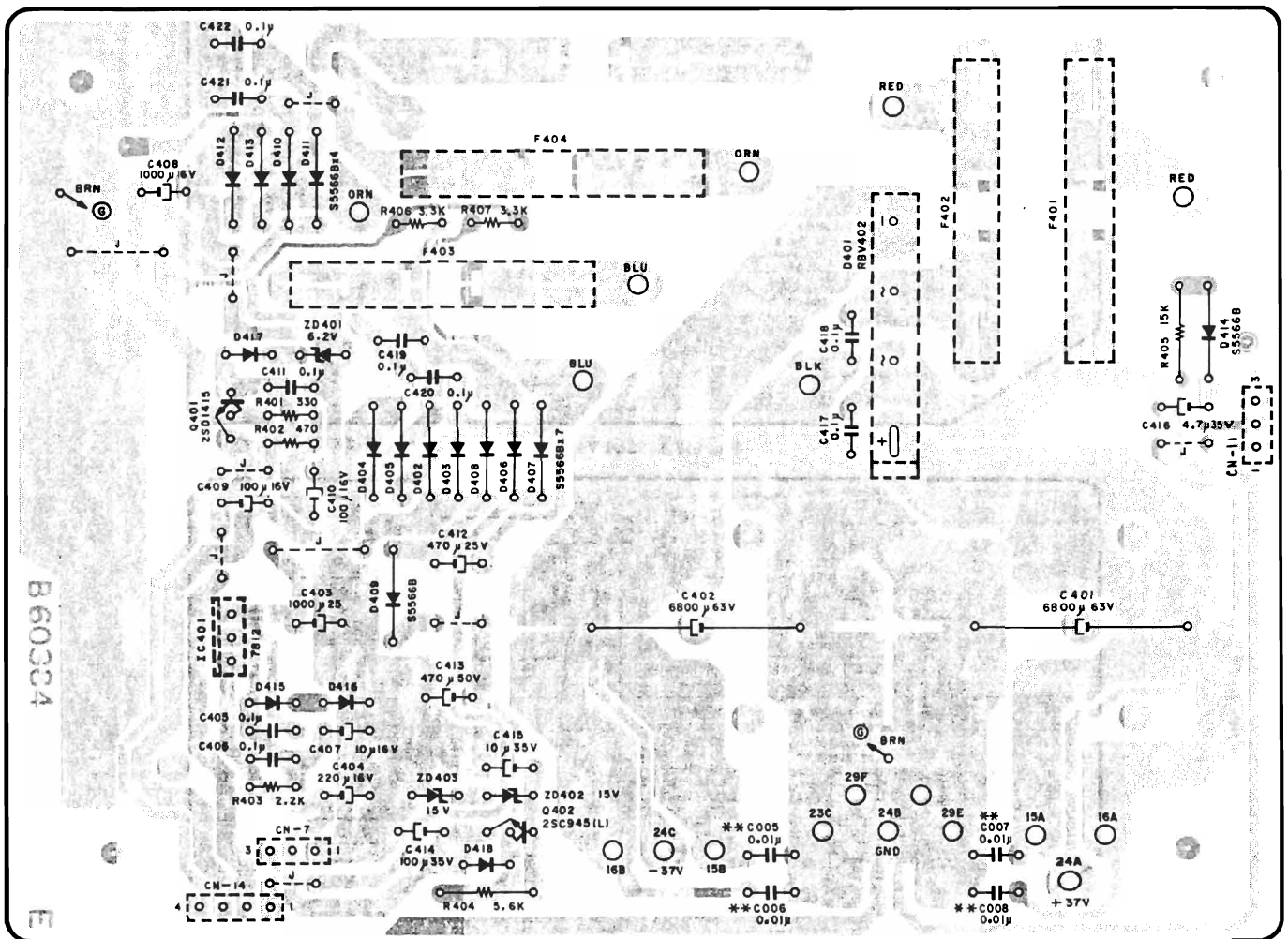


Fig. 5.9

\*\* SR-2E (Germany) only.

Schematic Ref. No.	Part No.	Description	Schematic Ref. No.	Part No.	Description
C009,010 011,012 CN29A CN29B CN29C CN29D CN29E,29F	BA06283A	Speaker Terminal P.C.B. Ass'y (SR-2, SR-2A & SR-2E (Europe))	CN15A CN15B CN16A CN16B CN21 CN23C CN24A CN24B CN24C	OB82740B	PD Connector V400
	BA06822A	Speaker Terminal P.C.B. Ass'y (SR-2E (Germany))		OB82741B	PD Connector V400
	OB60386C	Speaker Terminal P.C.B.		OB82742B	PD Connector V520
	OB41289A	CMM 0.018 $\mu$ 50V J (SR-2E (Germany))		OB82743B	PD Connector V520
	OB82753A	PD Connector V420		OB82803A	2P Connector
	OB82754A	PD Connector V420		OB82746B	PD Connector V440
	OB82755A	PD Connector V420		OB82747B	PD Connector V300
	OB82756A	PD Connector V420		OB82748B	PD Connector V300
	OB82757A	PD Connector V250		OB82749B	PD Connector V300
	OB81595B	Speaker Terminal 8P (1)		OB08349B	Fuse Clip (SR-2 (Australia) & SR-2E (Europe & Germany)) (8)
	OB90019A	Insu-Lock SKB80 (4)		OM04191A	Fuse Label T1A 250V (SR-2 (Australia) & SR-2E (Europe & Germany)) (1)
	OB83056B	Ground Wire (SR-2E (Germany)) (1)		OM04462A	Fuse Label T2.5A 250Vx2 (SR-2 (Australia) & SR-2E (Europe & Germany)) (1)
	IC401 Q401 Q402 ZD401  ZD402,403  D401 D402-414 D415,416 417,418 R401 R402 R403 R404 R405 R406,407 C005,006 007,008 C401,402 C403 C404 C405,406 411,417 418-422 C407 C408 C409,410 C412 C413 C414 C415 C416 F401,402  F401,402  F403,404  F403  F404  CN7,11 CN14	BA06246A		Power Supply P.C.B. Ass'y (SR-2 (Canada & Other) & SR-2A)	OM04194A  OE00612A  OJ05197A OE03355A OB90019A  OB90206A  OJ05225A
BA06247A		Power Supply P.C.B. Ass'y (SR-2 (Australia) & SR-2E (Europe))	OE00612A	M3x6 $\Phi$ Pan (2A) (2)	
BA06820A		Power Supply P.C.B. Ass'y (SR-2E (Germany))	OJ05197A	Heat Sink (1)	
OB60384E		Power Supply P.C.B.	OE03355A	Earth Lug (1)	
OB11252A		IC AN78M12	OB90019A	Insu-Lock SKB80 (6)	
OB10012A		TR 2SD1415	OB90206A	Insu-Lock SKB4M (1)	
OB01872A		TR 2SC945L (P,Q)	OJ05225A	Capacitor Cushion (1)	
OB12153A		ZD 6.2V RD6.2JS-T1B2			
OB12181A		ZD 15V RD15JS-T1B2			
OB12387A		SID RBV-402			
OB12362A		SID S5566B (13)			
OB06398A		SID 1SS176			
OB09665A		RK 330 1/6W J			
OB09669A		RK 470 1/6W J			
OB09685A		RK 2.2K 1/6W J			
OB01887A		RK 5.6K 1/4W J			
OB01683A		RK 15K 1/4W J			
OB09689A		RK 3.3K 1/6W J			
OB41286A		CMM 0.01 $\mu$ 50V J (SR-2E (Germany))			
OB40409A		CE 6800 $\mu$ 63V			
OB40095A		CE 1000 $\mu$ 25V			
OB40079A		CE 220 $\mu$ 16V			
OB41298A		CMM 0.1 $\mu$ 50V J (9)			
OB01412A		CE 10 $\mu$ 16V			
OB40082A		CE 1000 $\mu$ 16V			
OB40078A		CE 100 $\mu$ 16V			
OB40094A		CE 470 $\mu$ 25V			
OB40123A		CE 470 $\mu$ 50V			
OB40104A		CE 100 $\mu$ 35V			
OB40100A		CE 10 $\mu$ 35V			
OB40099A		CE 4.7 $\mu$ 35V			
OB08574A		Fuse 4A (SR-2 (Canada & Other) & SR-2A)			
OB08625A		Fuse T2.5A 250V (SR-2 (Australia) & SR-2E (Europe & Germany))			
OB08374A		Fuse 1A (SR-2 (Canada & Other) & SR-2A)			
OB08263U		Fuse T315mA 250V (SR-2 (Australia) & SR-2E (Europe & Germany))			
OB08347U		Fuse T1A 250V (SR-2 (Australia) & SR-2E (Europe & Germany))			
OB81635A		3P-T Post			
OB81636A		4P-T Post			

5.10. Monitor Switch P.C.B. Ass'y

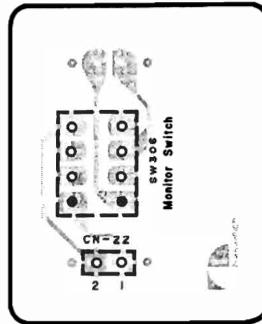


Fig. 5.10

Schematic Ref. No.	Part No.	Description	Schematic Ref. No.	Part No.	Description
SW306 CN22	BA06256A	Monitor Switch P.C.B. Ass'y		BA06242A	Control Switch P.C.B. Ass'y
	OB60379A	Monitor Switch P.C.B.		OB60381D	Control Switch P.C.B.
	OB70079A	Rotary Switch 2-2	Q901,902	OB10058A	TR DTA114ES (6)
	OB81002A	Dip Mate 2P	905-908	OB10068A	TR DTC114ES (6)
	OB82739A	Ribbon Cable 2P(1)	Q903,904	OB12395A	LED SLR-34PC3F (Green) (8)
			LED910-917	OB06398A	SID 1SS176 (10)
			D901-905		
			908,909		
			917-919		
			D906,907	OB12391A	SID MC911
			R901,909	OB09657A	RK 150 1/6W J
			R902,903	OB09689A	RK 3.3K 1/6W J (6)
		905-908	OB09661A	RK 220 1/6W J	
		R904	OB70062A	Tact Switch KHH10910 (12)	
		SW901-912	OB82800A	12P Connector 170mm	
		CN12	OB82801A	5P Connector 170mm	
		CN13	OJ05209B	LED Reflector D100 (8)	

5.11. Control Switch P.C.B. Ass'y

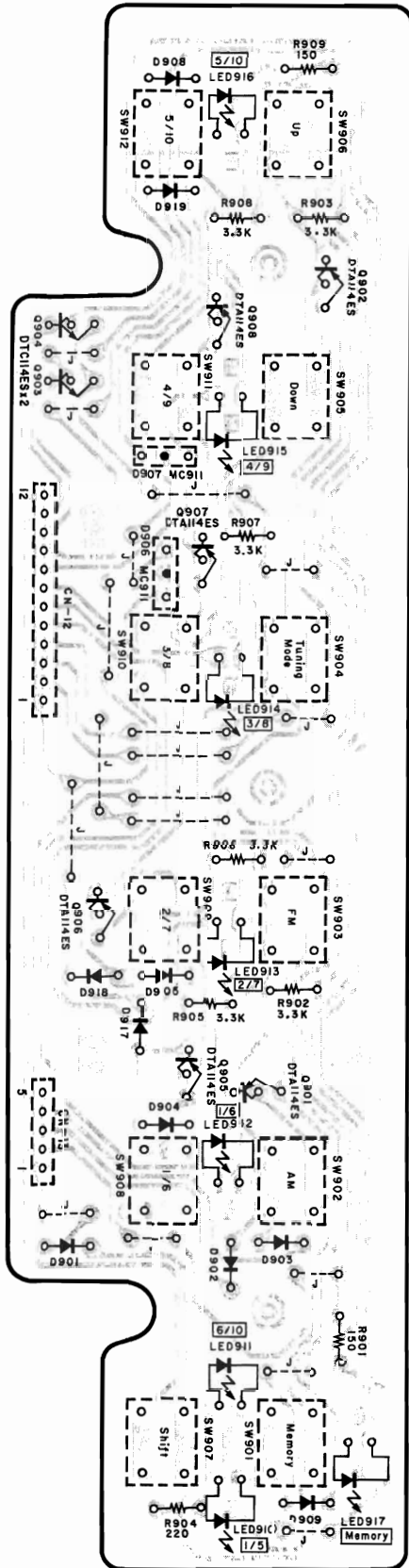


Fig. 5.11.1 2nd Version

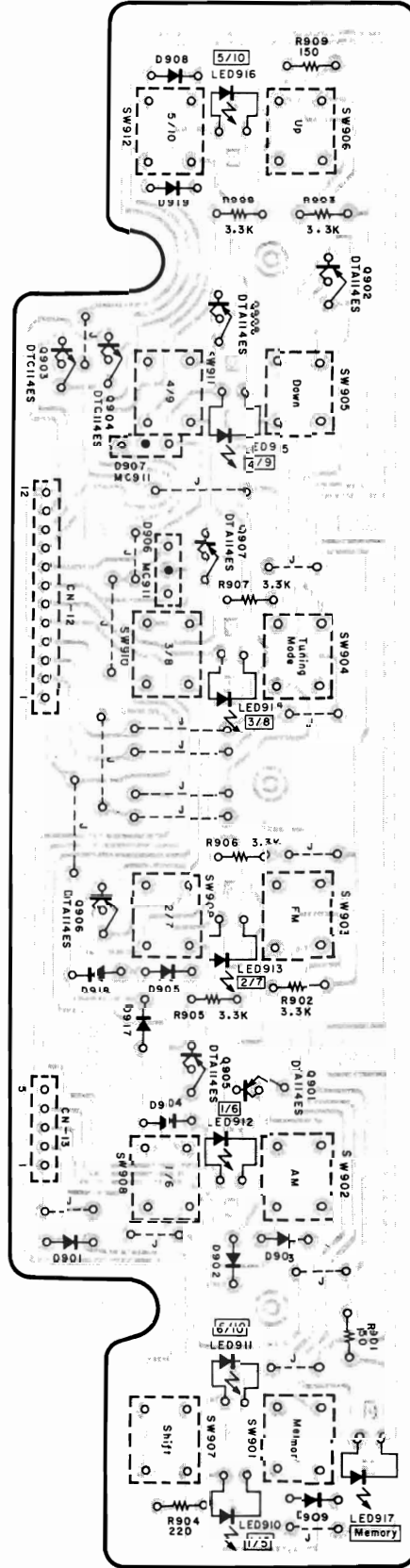


Fig. 5.11.2 1st Version

5.12. Display P.C.B. Ass'y  
 5.12.1. For SR-2 (Canada) & SR-2A  
 (1) 2nd Version

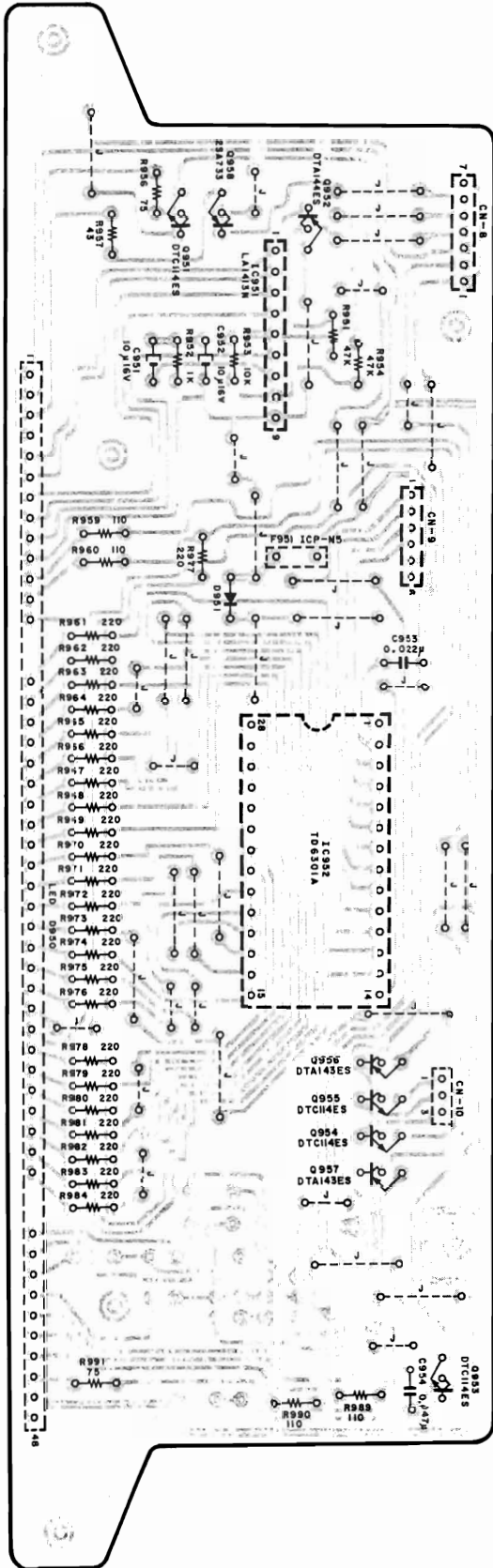


Fig. 5.12.1.1 2nd Version

(2) 1st Version

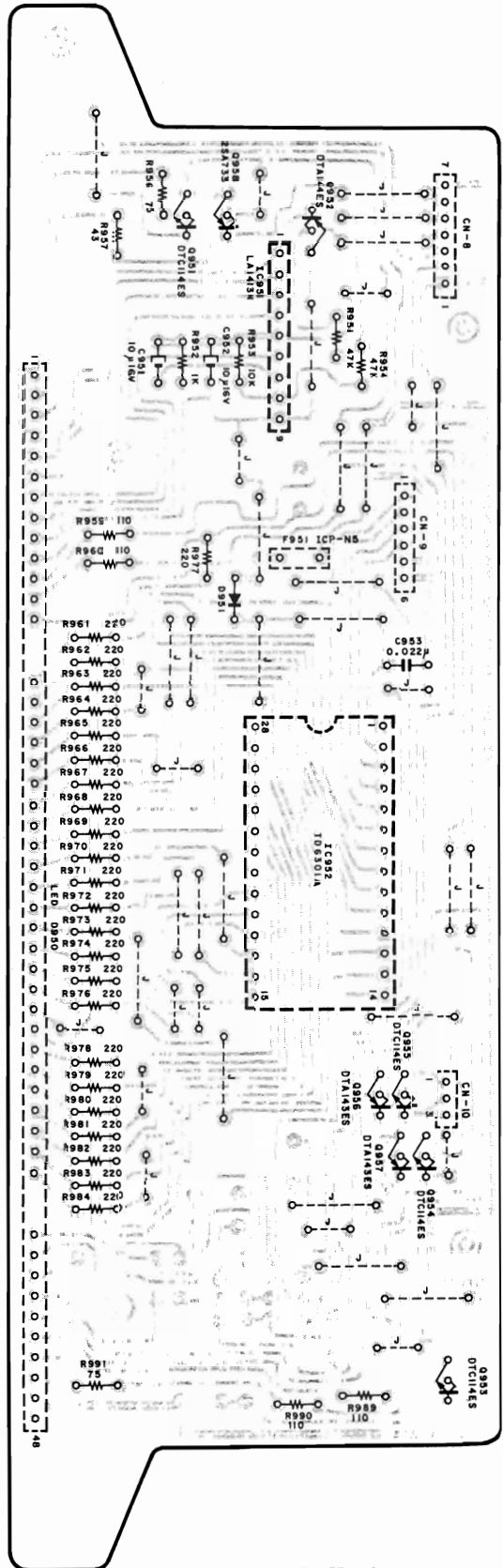


Fig. 5.12.1.2 1st Version



5.12.2. For SR-2 (Australia & Other) & SR-2E (Europe & Germany)  
 (1) 2nd Version

Schematic Ref. No.	Part No.	Description
	BA06240A	Display P.C.B. Ass'y (SR-2 (Canada) & SR-2A) 2nd Version
IC951	OB60380D	Display P.C.B.
IC952	OB11244A	IC LA1413N
Q951,953	OB11160A	IC TD6301A
954,955	OB10068A	TR DTC114ES
Q952	OB10053A	TR DTA144ES
Q956,957	OB10060A	TR DTA143ES
Q958	OB06013A	TR 2SA733 (P,Q)
D950	OB12385A	Display Unit
D951	OB06398A	SiD 1SS176
R951,954	OB09717A	RK 47K 1/6W J
R952	OB09677A	RK 1K 1/6W J
R953	OB09701A	RK 10K 1/6W J
R956,991	OB09650A	RK 75 1/6W J
R957	OB09644A	RK 43 1/6W J
R959,960	OB09654A	RK 110 1/6W J
989,990		
R961-984	OB09661A	RK 220 1/6W J (24)
C951,952	OB40009A	CE 10μ 16V
C953	OB41554A	CC 0.022μ 25V Z
C954	OB41555A	CC 0.047μ 25V Z
F951	OB11248A	IC Protector ICP-N5
CN8	OB82796A	7P Connector 280mm
CN9	OB82797A	6P Connector 280mm
CN10	OB82798A	3P Connector 260mm
	OE00846A	BT3x8 @Pan (2)
	BA06240A	Display P.C.B. Ass'y (SR-2 (Canada) & SR-2A) 1st Version
IC951	OB60380A	Display P.C.B.
IC952	OB11244A	IC LA1413N
Q951,953	OB11160A	IC TD6301A
954,955	OB10068A	TR DTC114ES
Q952	OB10053A	TR DTA144ES
Q956,957	OB10060A	TR DTA143ES
Q958	OB06013A	TR 2SA733 (P,Q)
D950	OB12385A	Display Unit
D951	OB06398A	SiD 1SS176
R951,954	OB09717A	RK 47K 1/6W J
R952	OB09677A	RK 1K 1/6W J
R953	OB09701A	RK 10K 1/6W J
R956,991	OB09650A	RK 75 1/6W J
R957	OB09644A	RK 43 1/6W J
R959,960	OB09654A	RK 110 1/6W J
989,990		
R961-984	OB09661A	RK 220 1/6W J (24)
C951,952	OB40009A	CE 10μ 16V
C953	OB41554A	CC 0.022μ 25V Z
F951	OB11248A	IC Protector ICP-N5
CN8	OB82796A	7P Connector 280mm
CN9	OB82797A	6P Connector 280mm
CN10	OB82798A	3P Connector 260mm
	OE00846A	BT3x8 @Pan (2)

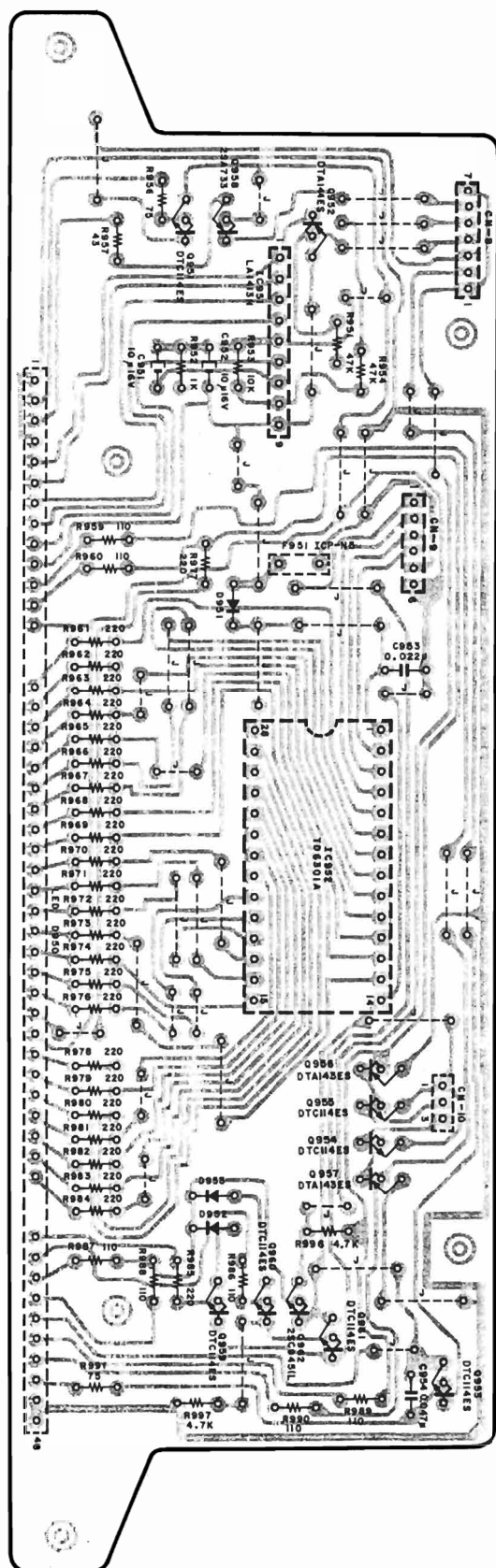


Fig. 5.12.2.1 2nd Version

(2) 1st Version (For SR-2 (Australia & Other only))

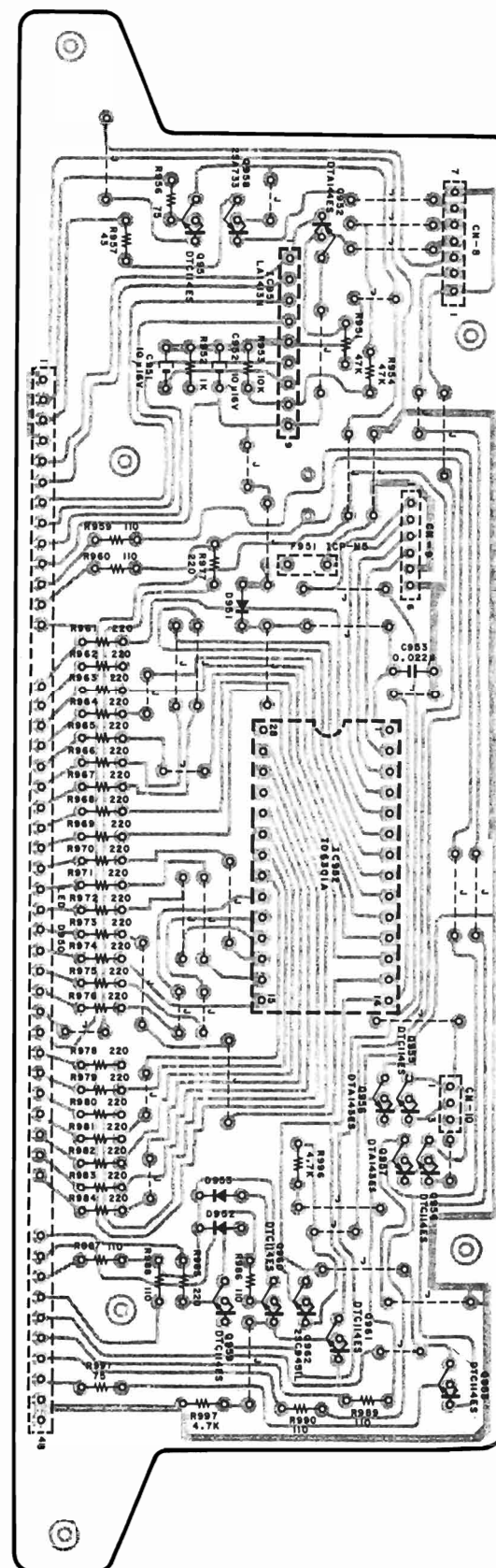


Fig. 5.12.2.2 1st Version

Schematic Ref. No.	Part No.	Description
	BA06241A	Display P.C.B. Ass'y (SR-2 (Australia & Other); 2nd Version) (SR-2E (Europe & Germany))
IC951	OB60380D	Display P.C.B.
IC952	OB11244A	IC LB1413N
Q951,953	OB11160A	IC TD6301A
954,955	OB10068A	TR DTC114ES (7)
959-961		
Q952	OB10053A	TR DTA144ES
Q956,957	OB10060A	TR DTA143ES
Q958	OB06013A	TR 2SA733 (P,Q)
Q962	OB01872A	TR 2SC945L (P,Q)
D950	OB12385A	Display Unit
D951,952	OB06398A	SiD 1SS176
953		
R951,954	OB09717A	RK 47K 1/6W J
R952	OB09677A	RK 1K 1/6W J
R953	OB09701A	RK 10K 1/6W J
R956,991	OB09650A	RK 75 1/6W J
R957	OB09644A	RK 43 1/6W J
R959,960	OB09654A	RK 110 1/6W J
986-990		
R961-985	OB09661A	RK 220 1/6W J (25)
R996,997	OB09693A	RK 4.7K 1/6W J
C951,952	OB40009A	CE 10μ 16V
C953	OB41554A	CC 0.022μ 25V Z
C954	OB41555A	CC 0.047μ 25V Z
F951	OB11248A	IC Protector ICP-N5
CN8	OB82796A	7P Connector 280mm
CN9	OB82797A	6P Connector 260mm
CN10	OB82798A	3P Connector 260mm
	OE00846A	BT3x8 @Pan (2)
	BA06241A	Display P.C.B. Ass'y (SR-2 (Australia & Other)); 1st Version
IC951	OB60380A	Display P.C.B.
IC952	OB11244A	IC LB1413N
Q951,953	OB11160A	IC TD6301A
954,955	OB10068A	TR DTC114ES (7)
959-961		
Q952	OB10053A	TR DTA144ES
Q956,957	OB10060A	TR DTA143ES
Q958	OB06013A	TR 2SA733 (P,Q)
Q962	OB01872A	TR 2SC945L (P,Q)
D950	OB12385A	Display Unit
D951,952	OB06398A	SiD 1SS176
953		
R951,954	OB09717A	RK 47K 1/6W J
R952	OB09677A	RK 1K 1/6W J
R953	OB09701A	RK 10K 1/6W J
R956,991	OB09650A	RK 75 1/6W J
R957	OB09644A	RK 43 1/6W J
R959,960	OB09654A	RK 110 1/6W J
986-990		
R961-985	OB09661A	RK 220 1/6W J (25)
R996,997	OB09693A	RK 4.7K 1/6W J
C951,952	OB40009A	CE 10μ 16V
C953	OB41554A	CC 0.022μ 25V Z
F951	OB11248A	IC Protector ICP-N5
CN8	OB82796A	7P Connector 280mm
CN9	OB82797A	6P Connector 260mm
CN10	OB82798A	3P Connector 260mm
	OE00846A	BT3x8 @Pan (2)

5.1.3. Main P.C.B. Ass'y  
5.1.3.1. For SR-2 (Canada) & SR-2A  
(1) 2nd Version

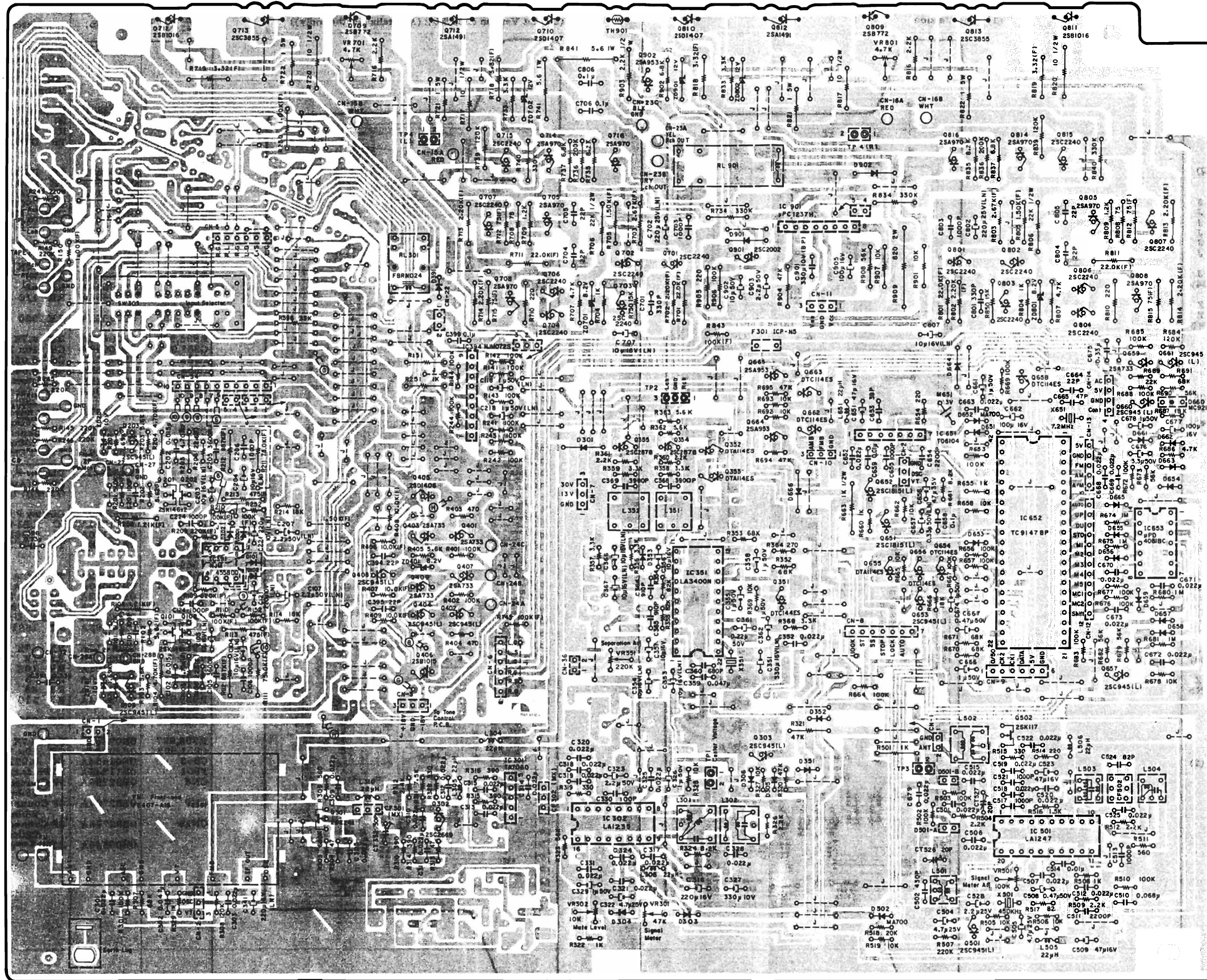


Fig. 5.13.1.1 2nd Version (For SR-2 (Canada) & SR-2A)





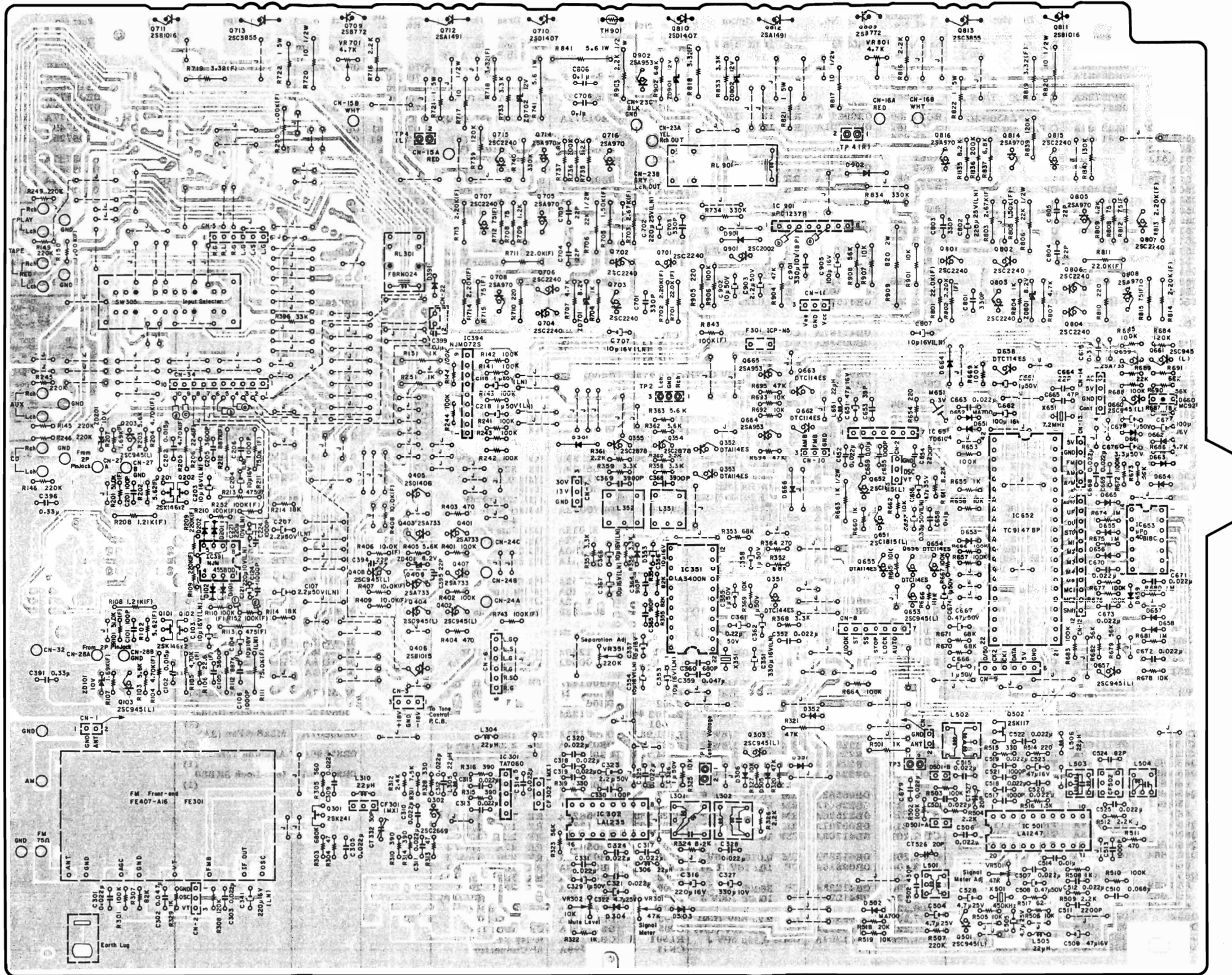


Fig. 5.13.1.2 1st Version (For SR-2 (Canada) & SR-2A)







5.13.2. For SR-2 (Other & Australia)  
(1) 2nd Version

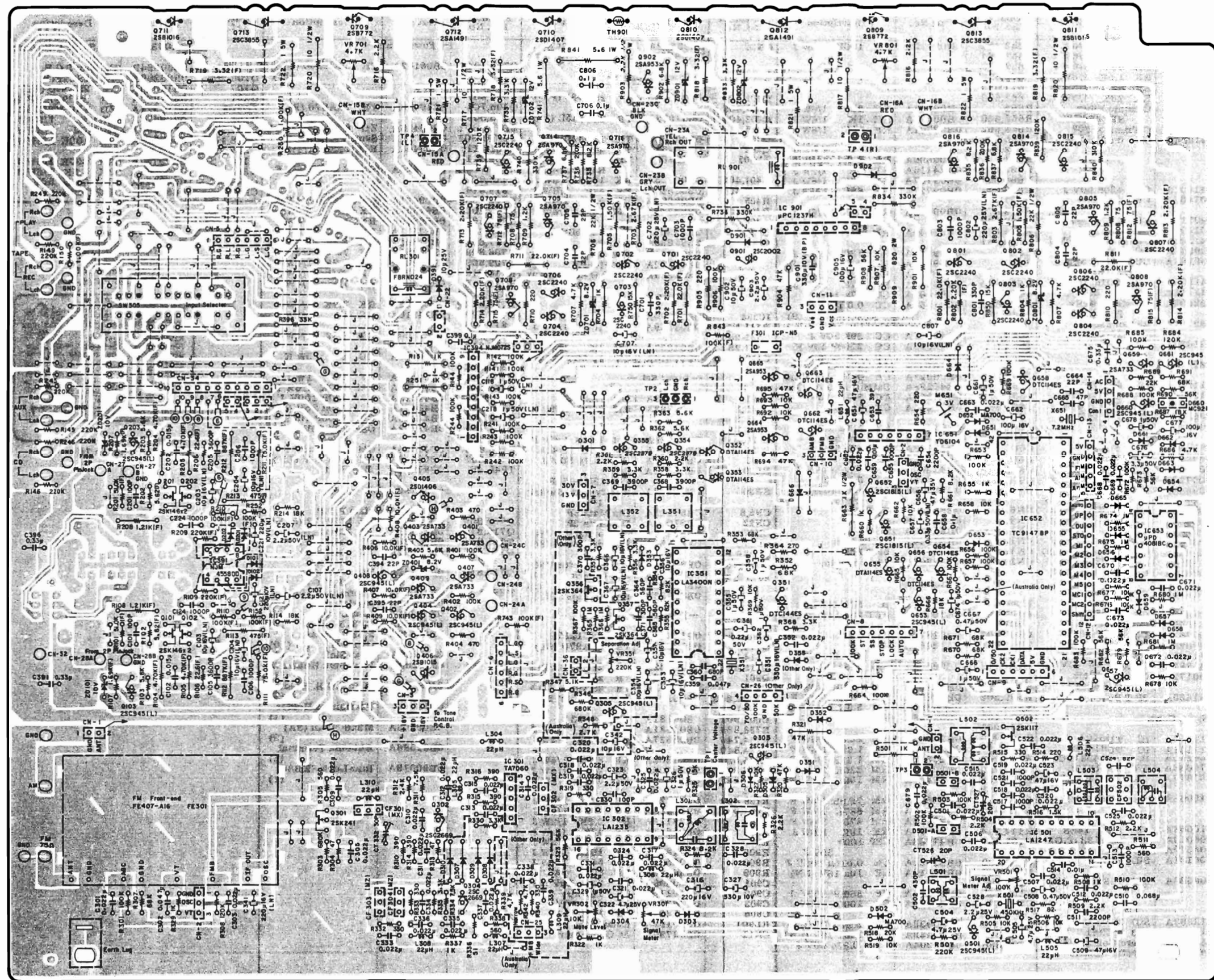


Fig. 5.13.2.1 2nd Version (For SR-2 (Other & Australia))

Note: For Australia, D309, D310, and pins 1 and 2 of CN-25 are shorted with jumper wires.

Schematic Ref. No.	Part No.	Description
	<b>BA06236A</b>	<b>Main P.C.B. Ass'y (SR-2 (Other)) 2nd Version</b>
		<b>- FM -</b>
IC301	OB11156A	IC TA7060AP
IC302	OB11157A	IC LA1235
Q301	OB10127A	FET 2SK241 (GR)
Q302,304	OB10174A	TR 2SC2669 (O,Y)
Q303	OB01872A	TR 2SC945L (P,O)
D303-306	OB06398A	SID 1SS176 (4)
D307-310	OB06181A	SID 1SS53 (4)
L301	OB51240A	FM Det. Coil A
L302	OB51241A	FM Det. Coil B
L304-310	OB51239A	Micro Coil 22μH (7)
VR301	OB32084A	Semi VR 47K
VR302	OB32080A	Semi VR 10K
R301	OB09725A	RK 100K 1/6W J
R303	OB09745A	RK 680K 1/6W J
R304,313	OB09645A	RK 47 1/6W J
R305,338	OB09671A	RK 560 1/6W J
R307	OB09721A	RK 68K 1/6W J
R308		RK 120K 1/6W J
R310,314	OB09667A	RK 390 1/6W J
R315,316		
R311,334	OB09698A	RK 7.5K 1/6W J
R312	OB09686A	RK 2.4K 1/6W J
R319,332	OB09665A	RK 330 1/6W J
333,340		
R320	OB09717A	RK 47K 1/6W J
R321	OB05641A	RK 47K 1/4W J
R322,329	OB09677A	RK 1K 1/6W J
337		
R323	OB09719A	RK 56K 1/6W J
R324	OB09699A	RK 8.2K 1/6W J
R325	OB09705A	RK 15K 1/6W J
R326	OB09685A	RK 2.2K 1/6W J
R327	OB09701A	RK 10K 1/6W J
R330,335	OB09689A	RK 3.3K 1/6W J
R336	OB09646A	RK 51 1/6W J
R339,342	OB09693A	RK 4.7K 1/6W J
CF301,302	OB41818A	Ceramic Filter SFE10.7MX2K-A
CF303,304	OB41746A	Ceramic Filter SFE10.7MS3GH15A
CT332	OB41614A	C Trimmer 30P
C301,303	OB41554A	CC 0.022μ 25V Z
305,309		
310,311		
313,314		
315,318		
319,320		
321,324		
325,328		
331		
333-339		
C302	OB41294A	CMM 0.047μ 50V J
C312,317	OB41290A	CMM 0.022μ 50V J
C316	OB40079A	CE 220μ 16V
C322	OB01402A	CE 4.7μ 25V
C323		CE 2.2μ 50V
C326,329	OB01405A	CE 1μ 50V
C327	OB40066A	CE 330μ 10V
C330	OB41071A	CC 100P 50V J
C341	OB40420A	CE 220μ 16V (LN)
F301	OB11248A	IC Protector ICP-N5
FE301	OB91016A	Front-end FE407-A16
CN2	OB82792A	3P Connector W240
CN7	OB82795A	3P Connector 370
CN25	OB81635A	3P-T Post
TP1	OB81634A	2P-T Post
	OE03355A	Earth Lug (1)
		<b>- AM -</b>
IC501	OB11243A	IC LA1247
Q501	OB01872A	TR 2SC945L (P,Q)
Q502	OB06129A	FET 2SK117 (Y)
D501	OB12386A	Varicap KV1226Y
D502	OB12363A	SID MA700
L501	OB51235A	Osc. Coil
L502	OB51236A	Ant. Coil
L503	OB51234A	IFT 2 AM
L504	OB51233A	IFT 1 AM
L505,506	OB51239A	Micro Coil 22μH
VR501	OB32086A	Semi VR 100K
R501	OB01857A	RK 1K 1/4W J







(2) 1st Version

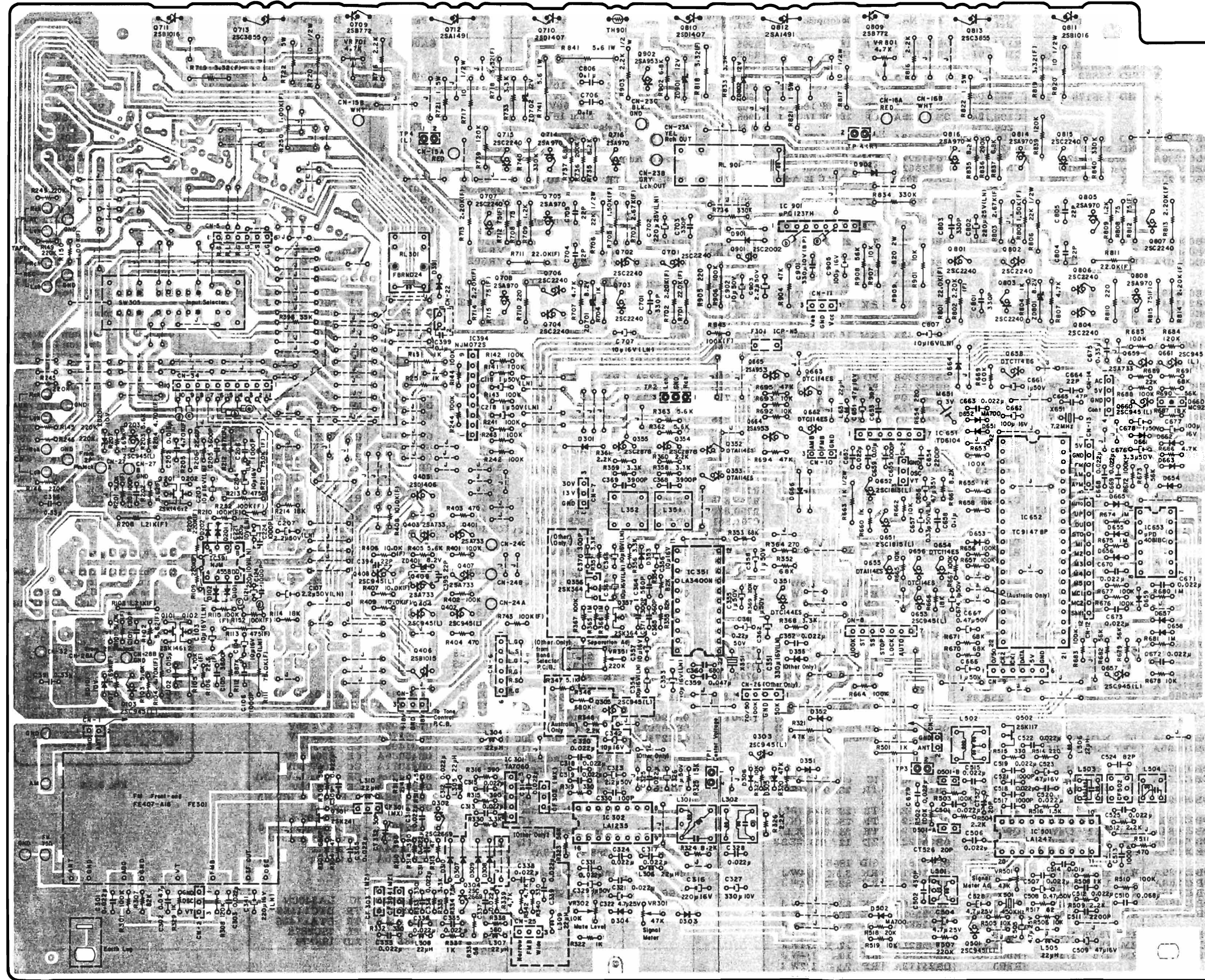


Fig. 5.13.2.2 1st Version (For SR-2 (Other & Australia))

Schematic Ref. No.	Part No.	Description
	BA06236A	Main P.C.B. Ass'y (SR-2 (Other)) 1st Version
	- FM -	
IC301	OB11156A	IC TA7060AP
IC302	OB11157A	IC LA1235
Q301	OB10127A	FET 2SK241 (GR)
Q302,304	OB10174A	TR 2SC2669 (O,Y)
Q303	OB10187A	TR 2SC945L (P,O)
D303-306	OB06398A	SID 1SS176 (4)
D307-310	OB06181A	SID 1SS53 (4)
L301	OB51240A	FM Det. Coil A
L302	OB51241A	FM Det. Coil B
L304-310	OB51239A	Micro Coil 22μH (7)
VR301	OB32084A	Semi VR 47K
VR302	OB32080A	Semi VR 10K
R301	OB09725A	RK 100K 1/6W J
R303	OB09745A	RK 680K 1/6W J
R304,313	OB09645A	RK 47 1/6W J
R305,338	OB09671A	RK 560 1/6W J
R307	OB09723A	RK 82K 1/6W J
R308	OB09727A	RK 120K 1/6W J
R310,314	OB09667A	RK 390 1/6W J
315,316		
R311,334	OB09698A	RK 7.5K 1/6W J
R312	OB09686A	RK 2.4K 1/6W J
R319,332	OB09665A	RK 330 1/6W J
333,340		
R320	OB09717A	RK 47K 1/6W J
R321	OB05641A	RK 47K 1/4W J
R322,329	OB09677A	RK 1K 1/6W J
337		
R323	OB09719A	RK 56K 1/6W J
R324	OB09699A	RK 8.2K 1/6W J
R325	OB09705A	RK 15K 1/6W J
R326	OB09685A	RK 2.2K 1/6W J
R327	OB09701A	RK 10K 1/6W J
R330,335	OB09689A	RK 3.3K 1/6W J
R336	OB09647A	RK 56 1/6W J
R339,342	OB09693A	RK 4.7K 1/6W J
CF301,302	OB41700A	Ceramic Filter SFE10.7MX2H-A
CF303,304	OB41076A	Ceramic Filter SFE10.7MS3GKY-A
CT332	OB41614A	C Trimmer 30P
C301,303	OB41554A	CC 0.022μ 25V Z (24)
305,309		
310,311		
313,314		
315,318		
319,320		
321,324		
325,328		
331		
333-339		
C302	OB41294A	CMM 0.047μ 50V J
C312,317	OB41290A	CMM 0.022μ 50V J
C316	OB40079A	CE 220μ 16V
C322	OB01402A	CE 4.7μ 25V
C323	OB09372A	CE 2.2μ 50V
C326,329	OB01405A	CE 1μ 50V
C327	OB40066A	CE 330μ 10V
C330	OB41071A	CC 100P 50V J
C341	OB40420A	CE 220μ 16V (LN)
F301	OB11248A	IC Protector ICP-N5
FE301	OB91016A	Front-end FE407-A16
CN2	OB82792A	3P Connector W240
CN7	OB82795A	3P Connector 370
CN25	OB81635A	3P-T Post
TP1	OB81634A	2P-T Post
	OE03355A	Earth Lug (1)
	- AM -	
IC501	OB11243A	IC LA1247
Q501	OB01872A	TR 2SC945L (P,Q)
Q502	OB06129A	FET 2SK117 (Y)
D501	OB12386A	Varicap KV1226Y
D502	OB12368A	SID MA700
L501	OB51235A	Osc. Coil
L502	OB51236A	Ant. Coil
L503	OB51234A	IFT 2 AM
L504	OB51233A	IFT 1 AM
L505,506	OB51239A	Micro Coil 22μH
VR501	OB32084A	Semi VR 47K
R501	OB01857A	RK 1K 1/4W J

Note: For Australia, D309, D310, and pins 1 and 2 of CN-25 are shorted with jumper wires.



Schematic Ref. No.	Part No.	Description	Schematic Ref. No.	Part No.	Description	Schematic Ref. No.	Part No.	Description	Schematic Ref. No.	Part No.	Description	Schematic Ref. No.	Part No.	Description	Schematic Ref. No.	Part No.	Description
R502,503 510 R504,509 512 R505,506 519 R507 R508 R511 R514 R515 R516 R517 R518 CF502	OB09725A OB09685A OB09701A OB09733A OB09677A OB09669A OB09661A OB09665A OB09681A OB09648A OB09708A OB41701A	RK 100K 1/6W J RK 2.2K 1/6W J RK 10K 1/6W J RK 220K 1/6W J RK 1K 1/6W J RK 470 1/6W J RK 220 1/6W J RK 330 1/6W J RK 1.5K 1/6W J RK 62 1/6W J RK 20K 1/6W J Ceramic Filter SFZ450G3L	Q655 Q659 Q664,665 D301,664 D651 D652 D660 L651 X651 R653,656 657,664 667,669 672,676 677,683 685,688 R654 R655,660 R658,662 665,678 692,693 R661 R663 R666,687 R670,671 691 R673,679 682,690 R674,675 680,681 R684 R686 R689 R694,695 C651 C652,663 668-673 679	OB10058A OB06013A OB06372A OB06181A OB06398A OB12363A OB12100A OB51239A OB92006A OB09725A OB09661A OB09677A OB09701A OB09699A OB24114A OB09707A OB09721A OB09719A OB09749A OB09727A OB09693A OB09709A OB09717A OB01403A OB41554A OB41187A OB09586A OB09288A OB40103A OB09327A OB41298A OB41553A OB01405A OB01400A OB41708A OB41709A OB40111A OB41304A OB01863A OB90200B OB81639A OB81638A OB81635A OB81644A OB81637A OB82802A OB06146A OB10195A OB01872A OB12168A OB06398A OB22423A OB22684A OB09695A OB09356A OB22039A OB22253A OB22635A OB22493A OB22457A OB09562A OB22641A OB22576A	TR DTA114ES TR 2SA733 (P,Q) TR 2SA953 (K,L) SID 1SS53 SID 1SS176 (12) SID MA700 SID MC921 Micro Coil 22μH Crystal 7.2MHz RK 100K 1/6W J RK 220 1/6W J RK 1K 1/6W J RK 10K 1/6W J RK 8.2K 1/6W J RF 1K 1/2W J RK 18K 1/6W J RK 68K 1/6W J RK 56K 1/6W J RK 1M 1/6W J RK 120K 1/6W J RK 4.7K 1/6W J RK 22K 1/6W J RK 47K 1/6W J CE 47μ 16V CC 0.022μ 25V (9) CC 39P 50V J CC 220P 50V K CC 1000P 50V K CE 47μ 35V CE 0.33μ 50V (LN) CMM 0.1μ 50V J CC 0.01μ 25V CE 1μ 50V CE 100μ 16V CC 22P 50V J CC 47P 50V J CE 0.47μ 50V CMM 0.33μ 50V J CE 3.3μ 50V Lithium Battery 3V CR2430-FT4-1 7P-T Post 6P-T Post 3P-T Post 12P-T Post 5P-T Post 4P Connector IC NJM4558DD FET 2SK146 (BL,V) TR 2SC945L (P,Q) ZD 10V RD10JS-T1B2 SID 1SS176 RM 51.0K 1/6W F RM 5.62 1/4W F RK 5.6K 1/6W J RM 4.7K 1/4W F RM 22.6 1/6W F RM 1.69K 1/6W F RM 1.21K 1/4W F RM 220K 1/6W F RM 100K 1/6W F RM 75.0K 1/4W F RM 887K 1/4W F RM 475 1/4W F	R114,214 C101,201 C102,202 C103,104 203,204 C105,205 C106,124 206,224 C107,207 C121,221 C391,396 CN34 Q401,403 407,409 Q402,404 408 Q405 Q406 ZD401 R401,402 R403,404 R405 R406,407 408,409 C394,395 CN3 IC394 R141-144 241-244 R151,251 C118,218 D391 R145,146 149,245 246,249 R150,250 R396 C399 RL301 SW305 CN5,6 CN22 CN27A CN27B 28B,32 CN28A IC901 Q714,716 814,816 Q715,815 Q901 Q902 ZD702,802 901 D901,902 R733,833 R734,740 834,840 R735,835 R736,836 R737,837 902 R739,839 R901,907 R903 R904	OB09707A OB41703A OB41585A OB09816A OB41238A OB41225A OB09933A OB40422A OB41304A OB82862A BA06355A OB06013A OB01872A OB06452A OB06451A OB12162A OB09725A OB09669A OB09707A OB09721A OB09719A OB09749A OB09727A OB09693A OB09709A OB09717A OB01403A OB41554A OB01877A OB09586A OB09288A OB40103A OB09327A OB41298A OB41553A OB01405A OB01400A OB41708A OB41709A OB40111A OB41304A OB01863A OB90200B OB81639A OB81638A OB81635A OB81644A OB81637A OB82802A OB06146A OB10195A OB01872A OB12168A OB06398A OB22423A OB22684A OB09695A OB09356A OB22039A OB22253A OB22635A OB22493A OB22457A OB09562A OB22641A OB22576A	RK 18K 1/6W J CSP 100P 50V J CM 0.015μ 100V J CE 10μ 16V (LN) CP 3600P 100V J CP 1000P 100V J CE 2.2μ 50V (LN) CE 220μ 10V (LN) CMM 0.33μ 50V J 10P Connector Eq. Sub P.C.B. Ass'y TR 2SA733 (P,Q) TR 2SC945L (P,Q) TR 2SD1406 (Y) TR 2SB1015 (Y) ZD 8.2V RD8,2JS-T1B2 RK 100K 1/6W J RK 470 1/6W J RK 5.6K 1/6W J RM 10.0K 1/6W F C 22P 50V J 3P-T Post Heat Sink A (2) Nut Hex. M3 (2) OE03319A IC NJM072S RK 100K 1/4W J RK 1K 1/4W J CE 1μ 50V (LN) SID 1SS176 RK 220K 1/6W J RM 1.00K 1/6W F RK 33K 1/4W J CMM 0.1μ 50V J Relay FBR42ND024P Rotary Slide Switch 4-4 Dip Mate 6P Dip Mate 2P PD Connector V80 PD Connector V80 2P Pin Jack (1) 4P Pin Jack (2) Ribbon Cable 6P (1) IC μPC1237H TR 2SA970 (BL) TR 2SC2240 (BL) TR 2SC2002 (K,L) TR 2SA953 (K,L) ZD 12V RD12EB3 SID 1SS53 RK 3.3K 1/4W J RK 330K 1/4W J RK 8.2K 1/4W J RK 200K 1/4W J RK 6.8K 1/4W J RK 120K 1/4W J RK 10K 1/4W J RF 2.2K 1/2W J RK 47K 1/4W J	R905 R906 R908 R909 C901 C902 C903 C905 RL901 CN11 Q701-704 706,707 801-804 806,807 Q705,708 805,808 ZD701,801 VR701,801 R701,711 801,811 R702,713 714,802 813,814 R703,803 R704,804 R705,805 R706,806 R707,807 R708,808 R709,809 R710,810 R712,715 812,815 R716,816 R717,720 817,820 R718,719 818,819 R721,722 821,822 R741,841 R743,843 C701,703 801,803 C702,802 C704,705 804,805 C706,806 C707,807 TP4L,4R Q709,809 Q710,810 Q711,811 Q712,812 Q713,813 TH901	OB01933A OB01889A OB05508A OB24106A OB40408A OB40116A OB09372A OB01400A OB90199A OB82799A OB06142A OB10050A OB06418A OB32078A OB09441A OB09420A OB09421A OB01857A OB09230A OB24111A OB01846A OB05959A OB05623A OB01933A OB22632A OB05622A OB24110A OB22700A OB24094A OB24112A OB22457A OB41213A OB40421A OB41702A OB41594A OB09816A OB81634A OB60377A OB06303A OB10121A OB10120A OB10177A OB10179A OB19004A OB90201A OB90210A OE00868A OE03138A OJ05198A OJ05205A OJ05207A OJ05212C OE00606A OB81596A OB90019A	RK 220 1/4W J RK 100K 1/4W J RK 56K 1/4W J RF 820 2W J CE 330μ 10V (BP) CE 10μ 50V CE 2.2μ 50V CE 100μ 16V Relay 24V 3P Connector TR 2SC2240 (BL) (12) TR 2SA970 (BL) ZD 8.2V RD8,2JB2 Semi VR 4.7K RM 22K 1/4W F RM 2.2K 1/4W F RM 2.67K 1/4W F RK 1K 1/4W J RM 1.5K 1/4W F RF 22K 1/2W J RK 4.7K 1/4W J RK 75 1/4W J RK 1.2K 1/4W J RK 220 1/4W J RM 75 1/4W F RK 2.2K 1/4W J RF 10 1/2W J RC 1 5W K RF 5.6 1W J RM 100K 1/6W F CP 330P 100V J CE 220μ 25V (LN) CSP 22P 50V J CM 0.1μ 100V J CE 10μ 16V (LN) 2P-T Post Main P.C.B. TR 2SB772 (P,Q) TR 2SD1407 TR 2SB1016 TR 2SA1491 (P,Y,G) TR 2SC3855 (P,Y,G) Thermistor 50KD-5 Insulator (2) Insu-Lock (3) BT3x8 @ Pan (7) M3x10 @ Pan (Nickel) (10) Heat Sink Holder A Heat Sink Holder A (1) Main P.C.B. Holder (2) Thermistor Holder (1) M3x6 @ Pan (3A) (2) Antenna Terminal (1) Insu-Lock SKB80 (1)	IC301 IC302 Q301 Q302,304 Q303,305 D303-306 L301 L302 L304-308 310 VR301 VR302 R301 R303,346 R304,313 R305,338 R307 R308 R310,314 315,316 R311,334 R312 R319,332 333 R320 R321 R322,329 337 R323 R324 R325 R326,348 R327 R335 R336 R347 CF301,302 CF303,304 CT332 C301,303 305,309 310,311 313,314 315,318 319,320 321,324 325,328 331,333 334,335 336,337 C302 C312,317 C316 C322 C323 C326,329 C327 C330 C341 C342 F301 FE301 CN2 CN7 TP1 IC351 Q351 Q352,353 Q354,355 D351,352 353,355 L351,352 VR351 R352,353 R354,355 R356-359 368 R360,361 R362,363 R364 R365,366 R367 R369 C351 C352 C353,354 366,367 C355,358 362 C356,357 C359 C360 C361 C364,365 C368,369 C370,371 X351 CN26 TP2 IC651 IC652 IC653 Q651,652 Q653,657 660,661 Q654,656 658,662 663	BA06309A Main P.C.B. Ass'y (SR-2 (Australia)) 1st Version Note: BA06309A is the same as BA06236A except for the following sections. - FM - OB11156A OB11157A OB10127A OB10174A OB01872A OB06398A OB51240A OB51241A OB51239A OB32084A OB32080A OB09725A OB09745A OB09645A OB09671A OB09723A OB09727A OB09677A OB09717A OB05641A OB09677A OB09719A OB09699A OB09705A OB09685A OB09701A OB09689A OB09647A OB09649A OB41700A OB41076A OB41614A OB41554A OB41294A OB41290A OB40079A OB01402A OB09372A OB01405A OB40066A OB41071A OB40420A OB01412A OB11248A OB91016A OB82792A OB82795A OB81634A OE03355A - MPX - OB11245A OB10062A OB10058A OB06299A OB10151A OB06398A OB51237A OB32066A OB09721A OB09723A OB09689A OB09685A OB09695A OB09663A OB09749A OB09725A OB09701A OB40418A OB41290A OB09816A OB01405A OB01412A OB41555A OB09287A OB40023A OB41404A OB41281A OB41397A OB90172A OB81636A OB81635A OB11159A OB11161A OB06219A OB10088A OB01872A OB10068A	IC LA3400N TR DTC144ES TR DTA114ES TR 2SC2878 FET 2SK364 SID 1SS176 MPX Filter Semi VR 220K RK 68K 1/6W J RK 82K 1/6W J RK 3.3K 1/6W J (5) RK 2.2K 1/6W J RK 5.6K 1/6W J RK 270 1/6W J RK 1M 1/6W J RK 100K 1/6W J RK 10K 1/6W J CE 330μ 16V (LN) CMM 0.022μ 50V J CE 10μ 16V (LN) CE 1μ 50V CE 10μ 16V RK 0.047μ 25V CC 680P 50V K CE 0.22μ 50V CP 560P 50V J CMM 3900P 50V J CP 300P 50V J Ceramic Filter CSB456F11 3P-T Post 4P-T Post IC LA3400N TR DTC144ES TR DTA114ES TR 2SC2878 TR 2SC945L (P,Q) TR DTC114ES	L351,352 VR351 R352,353 R354,355 R356-359 368 R360,361 R362,363 R364 R369 C351 C352 C353,354 366,367 C355,358 362 C356,357 C359 C360 C361 C364,365 C368,369 C370,371 X351 CN26 TP2 Q106,206 Q107 Q391 ZD103 R156,256 R157,257 R158,159 392,393 R160 R391 C393 CN34	OB51237A OB32066A OB09721A OB09723A OB09689A OB09685A OB09695A OB09663A OB09701A OB40418A OB41290A OB09816A OB01405A OB01412A OB41555A OB09287A OB40023A OB41404A OB41281A OB41397A OB90172A OB81635A OB60394B OB06299A OB10050A OB01872A TR 2SA970 (BL) TR 2SC945L (P,Q) ZD 15V MTZ15C RK 1K 1/6W J RK 1M 1/6W J RK 100K 1/6W J RK 330K 1/6W J RK 1.5K 1/6W J RK 15K 1/6W J RK 2.2K 1/6W J RK 10K 1/6W J RK 3.3K 1/6W J RK 56 1/6W J RK 5.1K 1/6W J Ceramic Filter SFE10,7MX2H-A Ceramic Filter SFE10,7MS3GKY-A C Trimmer 30P CC 0.022μ 25V Z CMM 0.047μ 50V J CMM 0.022μ 50V J CE 220μ 16V CE 4.7μ 25V CE 2.2μ 50V CE 1μ 50V CE 330μ 10V CC 100P 50V J CE 220μ 16V (LN) CE 10μ 16V IC Protector ICP-N5 Front-end FE407-A16 3P Connector W240 3P Connector 370 2P-T Post Earth Lug (1)	MPX Filter Semi VR 220K RK 68K 1/6W J RK 82K 1/6W J RK 3.3K 1/6W J (5) RK 2.2K 1/6W J RK 5.6K 1/6W J RK 270 1/6W J RK 10K 1/6W J CE 330μ 16V (LN) CMM 0.022μ 50V J CE 10μ 16V (LN) CE 1μ 50V CC 10μ 16V CC 0.047μ 25V CC 680P 50V K CE 0.22μ 50V CP 560P 50V J CMM 3900P 50V J CMM 0.022μ 50V J Ceramic Filter CSB456F11 3P-T Post Eq. Sub P.C.B. Ass'y Eq. Sub P.C.B. TR 2SC2878 TR 2SA970 (BL) TR 2SC945L (P,Q) ZD 15V MTZ15C RK 1K 1/6W J RK 1M 1/6W J RK 100K 1/6W J RK 330K 1/6W J RK 1.5K 1/6W J CE 0.33μ 50V 10P Connector

5.14. Eq. Sub P.C.B. Ass'y  
Note: This P.C.B. Ass'y is included  
in the Eq. Amp. section of  
the Main P.C.B. Ass'y for  
Other and Australia versions.

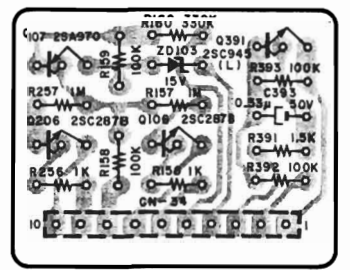


Fig. 5.14

5.1.3.3. For SR-2E (Europe)

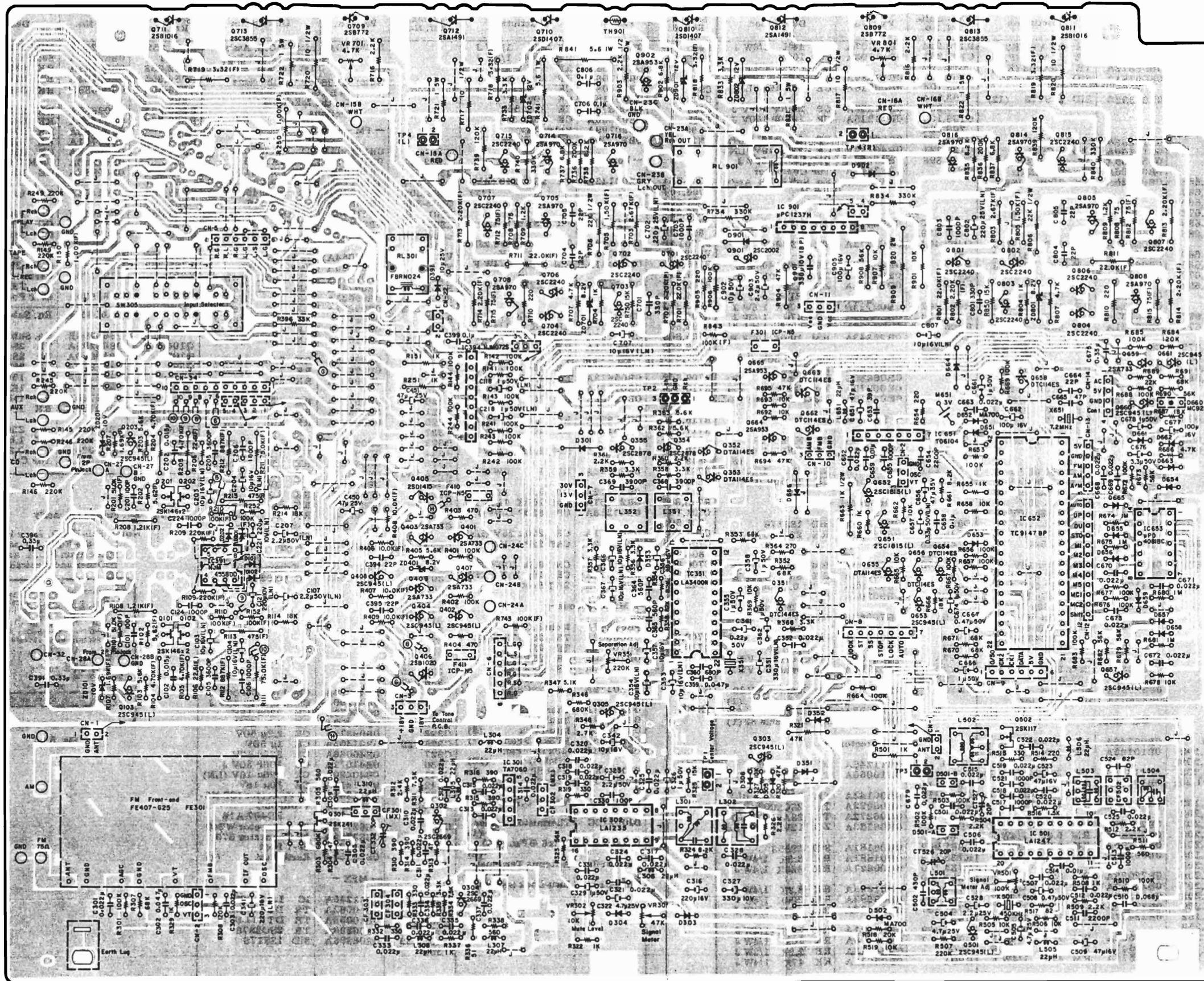
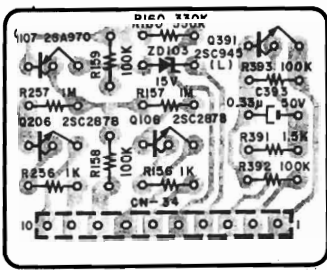


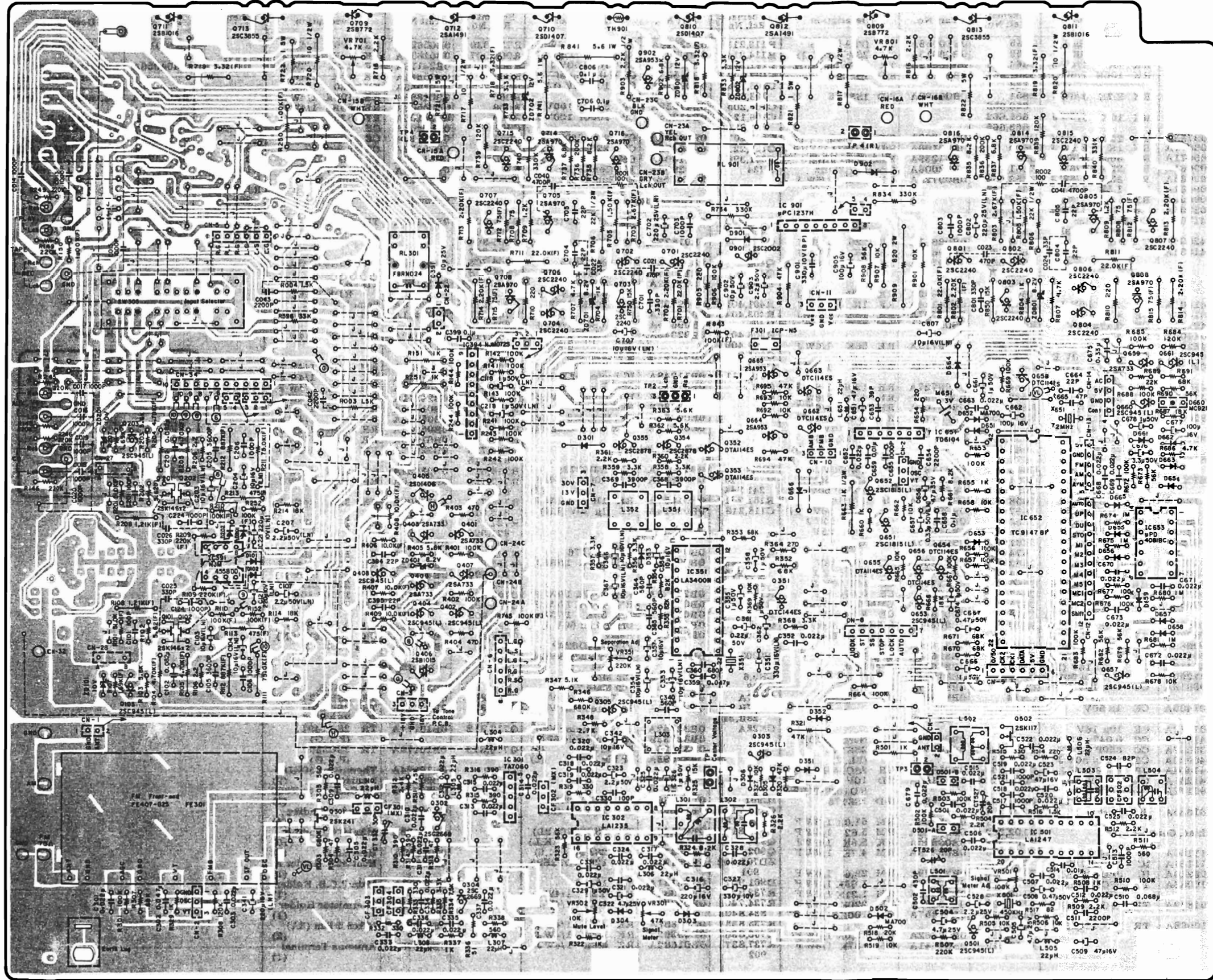
Fig. 5.13.3 For SR-2E (Europe)



Schematic Ref. No.	Part No.	Description	Schematic Ref. No.	Part No.	Description	Schematic Ref. No.	Part No.	Description	Schematic Ref. No.	Part No.	Description	Schematic Ref. No.	Part No.	Description	Schematic Ref. No.	Part No.	Description
	BA06235A	Main F.C.B. Ass'y (SR-2E (Europe))	L505,506 VR501 R501 R502,503 510 R504,509 512 R505,506 519 R507 R508 R511 R514 R515 R516 R517 R518 CF502	OB51239A OB32086A OB01857A OB09725A OB09685A OB09701A OB09733A OB09677A OB09671A OB09661A OB09665A OB09681A OB09651A OB09708A OB41701A	Micro Coil 22μH Semi VR 100K RK 1K 1/4W J RK 100K 1/6W J RK 2.2K 1/6W J RK 10K 1/6W J RK 220K 1/6W J RK 1K 1/6W J RK 560 1/6W J RK 220 1/6W J RK 330 1/6W J RK 1.5K 1/6W J RK 82 1/6W J RK 20K 1/6W J Ceramic Filter SFZ450G3L C Trimmer 20P C 0.022μ 25V	Q655 Q659 Q664,665 D301,664 666 D651 653-659 661,662 663,665 D652 D660 L651 X651 R653,656 657,664 667,669 672,676 677,683 685,688 R654 R655,660 R658,662 665,678 692,693 R661 R663 R666,687 R670,671 691 R673,679 682,690 R674,675 680,681 R684 R686 R689 R694,695 C651 C652,663 668-673 679 C653 C654 C655 C656 C657 C658 C659 C661,666 674,678 C662,677 C664 C665 C667 C675 C676 M651 CN8 CN9 CN10 CN12 CN13 CN14	OB10058A OB06013A OB06372A OB06181A OB06398A OB12363A OB12100A OB51239A OB92006A OB09725A OB09661A OB09677A OB09701A OB09699A OB24114A OB09707A OB09721A OB09719A OB09749A OB09727A OB09693A OB09709A OB09717A OB01403A OB41554A OB41187A OB09586A OB09288A OB40103A OB09327A OB41298A OB41553A OB01405A OB01400A OB41708A OB41709A OB40111A OB41304A OB01863A OB90200B OB81639A OB81638A OB81635A OB81644A OB81637A OB82802A OB06146A OB10195A OB01872A OB12168A OB06398A OB22423A OB22684A OB09695A OB22039A OB22253A OB22635A OB22493A OB22457A OB09562A OB22641A	TR DTA114ES TR 2SA733 (P,Q) TR 2SA953 (K,L) SID 1SS53 SID 1SS176 (12) SID MA700 SID MC921 Micro Coil 22μH Crystal 7.2MHz RK 100K 1/6W J RK 220 1/6W J RK 1K 1/6W J RK 10K 1/6W J RK 8.2K 1/6W J RF 1K 1/2W J RK 18K 1/6W J RK 68K 1/6W J RK 56K 1/6W J RK 1M 1/6W J RK 120K 1/6W J RK 4.7K 1/6W J RK 22K 1/6W J RK 47K 1/6W J CE 47μ 25V CE 2.2μ 50V Crystal 450kHz BFU450C4N 2P Connector 250mm 2P-T Post CC 39P 50V J CC 2200P 50V K CC 1000P 50V K CC 0.01μ 25V CC 82P 50V K CE 2.2μ 50V Crystal 450kHz BFU450C4N 2P Connector 250mm 2P-T Post CC 39P 50V J CC 2200P 50V K CC 1000P 50V K CE 47μ 16V CE 0.33μ 50V (LN) CMM 0.1μ 50V J CC 0.01μ 25V CE 1μ 50V CE 100μ 16V CC 22P 50V J CC 47P 50V J CE 0.47μ 50V CMM 0.33μ 50V J CE 3.3μ 50V Lithium Battery 3V CR2430-FT4-1 7P-T Post 6P-T Post 3P-T Post 12P-T Post 5P-T Post 4P Connector IC NJM4558DD FET 2SK146 (BL,V) TR 2SC945L (P,Q) ZD 10V RD10JS-T1B2 SID 1SS176 RM 51.0K 1/6W F RM 5.62 1/4W F RK 5.6K 1/6W J RK 4.7K 1/4W F RM 22.6 1/6W F RM 1.69K 1/6W F RM 1.21K 1/4W F RM 220K 1/6W F RM 100K 1/6W F RM 75.0K 1/4W F RM 887K 1/4W F	R113,213 R114,214 C101,201 C102,202 C103,104 203,204 C105,205 C106,124 206,224 C107,207 C121,221 C391,396 CN34 Q401,403 407,409 Q402,404 408 Q405 Q406 ZD401 R401,402 R403,404 R405 R406,407 408,409 C394,395 C450,451 F410,411 CN3 GJ IC394 R141-144 241-244 R151,251 C118,218 D391 R145,146 149,245 246,249 R150 R250 R396 C399 RL301 SW305 CN5,6 CN22 CN27A CN27B 28B,32 CN28A IC901 Q714,716 814,816 Q715,815 Q901 Q902 ZD702,802 901 D901,902 R733,833 R734,740 834,840 R735,835 R736,836 R737,837 902	OB22576A OB09707A OB41703A OB41585A OB09816A OB41238A OB41225A OB09933A OB40422A OB41304A OB82862A BA06355A OB06013A OB01872A OB10012A OB10011A OB12162A OB09725A OB09669A OB09695A OB22343A OB41507A OB40466A OB11248A OB81635A OB82135B OB08680B OE00972A OE03319A OB11070A OB01889A OB01857A OB09814A OB06398A OB09733A OB22229A OB09491A OB05509A OB41298A OB90204A OB70082A OB81013A OB81002A OB82750A OB82751A OB82752A OB82733B OB81020A OB81593A OB11246A OB10050A OB06142A OB06322A OB06372A OB06123A OB06181A OB01681A OB05627A OB01856A OB09392A OB01682A	RM 475 1/4W F RK 18K 1/6W F CSP 100P 50V J CMM 0.015μ 50V J CE 10μ 16V (LN) CP 3600P 100V J CP 1000P 100V J CE 2.2μ 50V (LN) CE 220μ 10V (LN) CMM 0.33μ 50V J 10P Connector Eq. Sub. P.C.B. Ass'y TR 2SA733 (P,Q) TR 2SC945L (P,Q) TR 2SD1415 TR 2SB1020 ZD 8.2V RD8,2JS-T1B2 RK 100K 1/6W J RK 470 1/6W J RK 5.6K 1/6W J RM 10.0K 1/6W F C 22P 50V J CE 47μ 25V (LN) IC Protector ICP-N5 3P-T Post PD Connector V130 Heat Sink A (2) Nut Hex, M3 (2) M3x8 @ Binding (2) IC NJM072S RK 100K 1/4W J RK 1K 1/4W J CE 1μ 50V (LN) SID 1SS176 RK 220K 1/6W J RM 1.00K 1/6W F RM 1.00K 1/4W F RK 33K 1/4W J CMM 0.1μ 50V J Relay FBR42ND024P Rotary Slide Switch 4-4 Dip Mate 6P Dip Mate 2P PD Connector V80 PD Connector V80 PD Connector V80 Ribbon Cable 6P(1) 2P Pin Jack (1) 4P Pin Jack (2) IC μPC1237H TR 2SA970 (BL) TR 2SC2240 (BL) TR 2SC2002 (K,L) TR 2SA953 (K,L) ZD 12V RD12EB3 SID 1SS53 RK 3.3K 1/4W J RK 330K 1/4W J RK 8.2K 1/4W J RK 200K 1/4W J RK 6.8K 1/4W J	R739,839 R901,907 R903 R904 R905 R906 R908 R909 C901 C902 C903 C905 RL901 CN11 Q701-704 706,707 801-804 806,807 Q705,708 805,808 ZD701,801 VR701,801 R701,711 801,811 R702,713 714,802 813,814 R703,803 R704,804 R705,805 R706,806 R707,807 R708,808 R709,809 R710,810 R712,715 812,815 R716,816 R717,720 817,820 R718,719 818,819 R721,722 821,822 R741,841 R743,843 R750,850 C701,801 C702,802 C703,803 C704,705 804,805 C706,806 C707,807 TP4L,4R OB05621A OB01888A OB24113A OB05641A OB01933A OB01889A OB05508A OB24106A OB40408A OB40116A OB09372A OB01400A OB90199A OB82799A OB06142A TR 2SC2240 (BL) (12) OB10050A TR 2SA970 (BL) ZD 8.2V RD8,2JSB2 Semi VR 4.7K RM 22K 1/4W F OB09420A RM 2.2K 1/4W F OB09421A RM 2.67K 1/4W F OB01857A RK 1K 1/4W J OB09230A RM 1.5K 1/4W F OB24111A RF 22K 1/2W J OB01846A RK 4.7K 1/4W J OB05959A RK 75 1/4W J OB05623A RK 1.2K 1/4W J OB01933A RK 220 1/4W J OB22632A RM 75 1/4W F OB05622A RK 2.2K 1/4W J OB24110A RF 10 1/2W J OB22700A RM 3.32 1/4W F OB24094A RC 1 5W K OB24112A RF 5.6 1W J OB22457A RM 100K 1/6W F OB01683A RK 15K 1/4W J OB41213A CP 330P 100V J OB40421A CE 220μ 25V (LN) OB41225A CP 1000P 100V J OB41702A CSP 22P 50V J OB41594A CM 0.1μ 100V J OB09816A CE 10μ 16V (LN) OB81634A 2P-T Post OB60377F Main P.C.B. OB06303A TR 2SB772 (P,Q) OB10121A TR 2SD1407 OB10120A TR 2SB1016 OB10177A TR 2SA1491 (P,Y,G) OB10179A TR 2SC3855 (P,Y,G) OB19004A Thermistor 50KD-5 OB90201A Insulator (2) OB82748B PD Connector V300 (1) OE00868A BT3x8 @ Binding (4) OE03138A M3x10 @ Binding (10) OJ05198A Heat Sink (1) OJ05205A Heat Sink Holder A (1) OJ05207A Main P.C.B. Holder (1) OJ05212C Thermistor Holder (1) OE00607A M3x8 @ Pan (3A) (2) OB90078A Antenna Terminal (1)	OB90019A Insu-Lock SKB80 (1) OM04956A Lithium Battery Caution Label (1) BA06355A Eq. Sub P.C.B. Ass'y OB60394B Eq. Sub P.C.B. OB06299A TR 2SC2878 OB10050A TR 2SA970 (BL) OB01872A TR 2SC945L (P,Q) OB12321A ZD 15V MTZ15C OB09677A RK 1K 1/6W J OB09749A RK 1M 1/6W J OB09725A RK 100K 1/6W J OB09737A RK 330K 1/6W J OB09681A RK 1.5K 1/6W J OB40024A CE 0.33μ 50V OB81631A 10P Connector	Q106,206 Q107 Q391 ZD103 R156,256 R157,257 R158,159 392,393 R160 R391 C393 CN34	5.14. Eq. Sub P.C.B. Ass'y Note: This P.C.B. Ass'y is included in the Eq. Amp. section of the Main P.C.B. Ass'y.		Fig. 5.14



5.13.4. For SR-2E (Germany)



Schematic Ref. No.	Part No.	Description
	BA06814A	Main P.C.B. Ass'y (SR-2E (Germany))
	- FM -	
IC301	OB11156A	IC TA7060AP
IC302	OB11157A	IC LA1235
Q301	OB10127A	FET 2SK241 (GR)
Q302,304	OB10174A	TR 2SC2669 (O,Y)
D303,305	OB01872A	TR 2SC945L (P,Q)
D303-306	OB06398A	SID 1SS176 (4)
L301	OB51240A	FM Det. Coil A
L302	OB51241A	FM Det. Coil B
L303	OB51238A	Anti-birdy Filter
L304-308	OB51239A	Micro Coil 22μH (6)
VR301	OB32084A	Semi VR 47K
VR302	OB32085A	Semi VR 10K
R301	OB09725A	RK 100K 1/6W J
R303,346	OB09745A	RK 680K 1/6W J
R304,313	OB09645A	RK 47 1/6W J
R305,338	OB09671A	RK 560 1/6W J
R307	OB09721A	RK 68K 1/6W J
R308	OB09727A	RK 120K 1/6W J
R310,314	OB09667A	RK 390 1/6W J
315,316		
R311,334	OB09698A	RK 7.5K 1/6W J
R312	OB09686A	RK 2.4K 1/6W J
R319,332	OB09665A	RK 330 1/6W J
333		
R320	OB09717A	RK 47K 1/6W J
R321	OB05641A	RK 47K 1/4W J
R322,329	OB09677A	RK 1K 1/6W J
337		
R323	OB09719A	RK 56K 1/6W J
R324	OB09699A	RK 8.2K 1/6W J
R325	OB09705A	RK 15K 1/6W J
R326	OB09685A	RK 2.2K 1/6W J
R327	OB09701A	RK 10K 1/6W J
R335	OB09689A	RK 3.3K 1/6W J
R336	OB09646A	RK 51 1/6W J
R347	OB09694A	RK 5.1K 1/6W J
R348	OB09687A	RK 2.7K 1/6W J
CF301,302	OB41818A	Ceramic Filter SFE10.7MX2K-A
CF303,304	OB41746A	Ceramic Filter SFE10.7MS3GH15A
CT332	OB41614A	C Trimmer 30P
C301,303	OB41554A	CC 0.022μ 25V Z
305,309		
310,311		
313,314		
315,318		
319,320		
321,324		
325,328		
331,333		
334,335		
336,337		
C302	OB41294A	CMM 0.047μ 50V J
C312,317	OB41290A	CMM 0.022μ 50V J
C316	OB40079A	CE 220μ 16V
C322	OB01402A	CE 4.7μ 25V
C323	OB09372A	CE 2.2μ 50V
C326,329	OB01405A	CE 1μ 50V
C327	OB40066A	CE 330μ 10V
C330	OB41071A	CC 100P 50V J
C340	OB41404A	CP 560P 50V J
C341	OB40420A	CE 220μ 16V (LN)
C342	OB01412A	CE 10μ 16V
F301	OB11248A	IC Protector ICP-N5
FE301	OB91017A	Front-end FE407-G25
CN2	OB83053A	3P Connector W240
CN7	OB82795A	3P Connector 370mm
TP1	OB81634A	2P-T Post
	OE03355A	Earth Lug (1)
	- AM -	
IC501	OB11243A	IC LA1247
Q501	OB01872A	TR 2SC945L (P,Q)
Q502	OB06129A	FET 2SK117 (Y)
D501	OB12386A	Variac KV1226Y
D502	OB12363A	SID MA700
L501	OB51235A	Osc. Coil
L502	OB51236A	Ant. Coil

Fig. 5.13.4 For SR-2E (Germany)



Schematic Ref. No.	Part No.	Description	Schematic Ref. No.	Part No.	Description	Schematic Ref. No.	Part No.	Description	Schematic Ref. No.	Part No.	Description	Schematic Ref. No.	Part No.	Description
L503 L504 L505,506 VR501 R501 R502,503 510 R504,509 512 R505,506 519 R507 R508 R511 R514 R515 R516 R517 R518 CF502	OB51234A OB51233A OB51239A OB32086A OB01857A OB09725A OB09685A OB09701A OB09733A OB09677A OB09671A OB09661A OB09665A OB09681A OB09651A OB09708A OB41701A	IFT 2 AM IFT 1 AM Micro Coil 22μH Semi VR 100K RK 1K 1/4W J RK 100K 1/6W J RK 2.2K 1/6W J RK 10K 1/6W J RK 220K 1/6W J RK 1K 1/6W J RK 560 1/6W J RK 220 1/6W J RK 330 1/6W J RK 1.5K 1/6W J RK 82 1/6W J RK 20K 1/6W J Ceramic Filter SFZ450G3L	Q655 Q659 Q664,665 D301,664 666 D651 653-659 661,662 663,665 D652 D660 L651 X651 R653,656 657,664 667,669 672,676 677,683 685,688 R654 R655,660 R658,662 665,678 692,693 R661 R663 R666,687 R670,671 691 R673,679 682,690 R674,675 680,681 R684 R686 R689 R694,695 C651 C652,663 668-673 679 C653 C654 C655 C656 C657 C658 C659 C661,666 674,678 C662,677 C664 C665 C667 C675 C676 M651 CN8 CN9 CN10 CN12 CN13 CN14 IC391 Q101,102 201,202 Q103,203 ZD101,201 D101,102 201,202 R101,201 R102,202 R103,203 R104,105 204,205 R106,206 R107,207 R108,208 R109,209 R110,152 210,252 R111,211 R112,212	OB10058A OB06013A OB06372A OB06181A OB06398A OB12363A OB12100A OB51239A OB92006A OB09725A OB09661A OB09677A OB09701A OB09699A OB24114A OB09707A OB09721A OB09719A OB09749A OB09727A OB09693A OB09709A OB09717A OB01403A OB41554A OB41187A OB09586A OB09288A OB40103A OB09327A OB41298A OB41553A OB01405A OB01400A OB41708A OB41709A OB40111A OB41304A OB01863A OB90200B OB81639A OB81638A OB81635A OB81644A OB81637A OB82802A OB06146A OB10195A OB1872A OB12168A OB06398A OB22423A OB22684A OB09695A OB09356A OB09613A OB22253A OB22635A OB22493A OB22457A OB09562A OB22641A	TR DTA114ES TR 2SA733 (P,Q) TR 2SA953 (K,L) SiD 1SS53 SiD 1SS176 (12) SiD MA700 SiD MC921 Micro Coil 22μH Crystal 7.2MHz RK 100K 1/6W J RK 220 1/6W J RK 1K 1/6W J RK 10K 1/6W J RK 8.2K 1/6W J RF 1K 1/2W J RK 18K 1/6W J RK 68K 1/6W J RK 56K 1/6W J RK 1M 1/6W J RK 120K 1/6W J RK 4.7K 1/6W J RK 22K 1/6W J RK 47K 1/6W J CE 47μ 16V CC 0.022μ 25V (9) CC 39P 50V J CC 2200P 50V K CC 1000P 50V K CE 47μ 16V CE 0.33μ 50V (LN) CMM 0.1μ 50V J CC 0.01μ 25V CE 1μ 50V CE 100μ 16V CC 22P 50V J CC 47P 50V J CC 0.47μ 50V CMM 0.33μ 50V J CE 3.3μ 50V Lithium Battery 3V CR2430-FT4-1 7P-T Post 6P-T Post 3P-T Post 12P-T Post 5P-T Post 4P Connector IC NJM4558DD FET 2SK146 (BL,V) TR 2SC945L (P,Q) ZD 10V RD10JS-T1B2 SiD 1SS176 RM 51.0K 1/6W F RM 5.62 1/4W F RK 5.6K 1/6W J RM 4.7K 1/4W F RK 2.2 1/6W J RM 1.69K 1/6W F RM 1.21K 1/4W F RM 220K 1/6W F RM 100K 1/6W F RM 75.0K 1/4W F RM 887K 1/4W F	R113,213 R114,214 C101,201 C102,202 C103,104 203,204 C105,205 C106,124 206,224 C107,207 C121,221 CN34 Q401,403 407,409 Q402,404 408 Q405 Q406 ZD401 R401,402 R403,404 R405 R406,407 408,409 C394,395 CN3 GJ IC394 R141-144 241-244 R151,251 C118,218 D891 R003,004 R145,146 149,245 246,249 R150 R250 R396 C042,043 C899 RL301 SW305 CN5,6 CN22 CN32 IC901 Q714,716 814,816 Q715,815 Q901 Q902 ZD702,802 901 D901,902 R733,833 R734,740 834,840 R735,835 R736,836 R737,837 902 R739,839 R901,907 R903 OB22576A OB09707A OB41703A OB09867A OB09816A OB41238A OB41225A OB09933A OB40422A OB82862A BA06355A BA06803A — Power Supply — OB06013A TR 2SA733 (P,Q) OB01872A TR 2SC945L (P,Q) OB06452A TR 2SD1406 (Y) OB06451A TR 2SB1015 (Y) OB12162A ZD 8.2V RD8.2JS-T1B2 OB09725A RK 100K 1/6W J OB09669A RK 470 1/6W J OB09695A RK 5.6K 1/6W J OB22343A RM 10.0K 1/6W F OB41507A C 22P 50V J OB1635A 3P-T Post OB82135B PD Connector V130 OB08680B Heat Sink A (2) OE00972A Nut Hex, M3 (2) OE03319A M3x8 @ Binding (2) OB11070A IC NJM072S OB01889A RK 100K 1/4W J (8) OB01857A RK 1K 1/4W J OB09814A CE 1μ 50V (LN) — Input Sel. — OB06398A SiD 1SS176 OB05698A RK 1.5K 1/4W J OB09733A RK 220K 1/6W J OB22229A RM 1.00K 1/6W F OB09491A RM 1.00K 1/4W F OB05509A RK 33K 1/4W J OB41418A CP 2200P 50V J OB41298A CMM 0.1μ 50V J OB90204A Relay FBR42ND024P OB70082A Rotary Slide Switch 4-4 OB81013A Dip Mate 6P OB81002A Dip Mate 2P OB82751A PD Connector V80 OB81593A 4P Pin Jack (2) — Protector — OB11246A IC μPC1237H OB10050A TR 2SA970 (BL) OB06142A TR 2SC2240 (BL) OB06322A TR 2SC2002 (K,L) OB06372A TR 2SA953 (K,L) OB06123A ZD 12V RD12EB3 OB06181A SiD 1SS53 OB01681A RK 3.3K 1/4W J OB05627A RK 330K 1/4W J OB01856A RK 8.2K 1/4W J OB09392A RK 200K 1/4W J OB01682A RK 6.8K 1/4W J OB05621A RK 120K 1/4W J OB01888A RK 10K 1/4W J OB24113A RF 2.2K 1/2W J	R904 R905 R906 R908 R909 C901 C902 C903 C905 RL901 CN11 OB05641A RK 47K 1/4W J OB01933A RK 220 1/4W J OB01889A RK 100K 1/4W J OB05508A RK 56K 1/4W J OB24106A RF 820 2W J OB40408A CE 330μ 10V (BP) OB40116A CE 10μ 50V OB09372A CE 2.2μ 50V OB01400A CE 100μ 16V OB90199A Relay 24V OB82799A 3P Connector — Power Amp. — OB06142A TR 2SC2240 (BL) (12) Q106,206 Q107 Q391 ZD103 R156,256 R157,257 R158,159 392,393 R160 R391 C393 CN34 OB10050A TR 2SA970 (BL) OB12162A ZD 8.2V RD8.2JSB2 OB32078A Semi VR 4.7K OB09441A RM 22K 1/4W F OB09420A RM 2.2K 1/4W F OB09421A RM 2.67K 1/4W F OB01857A RK 1K 1/4W J OB09230A RM 1.5K 1/4W F OB24111A RF 22K 1/2W J OB01846A RK 4.7K 1/4W J OB05959A RK 75 1/4W J OB05623A RK 1.2K 1/4W J OB01933A RK 220 1/4W J OB22632A RM 75 1/4W F OB05622A RK 2.2K 1/4W J OB24110A RF 10 1/2W J OB22700A RM 3.32 1/4W F OB24094A RC 1 5W K OB24112A RF 5.6 1W J OB22457A RM 100K 1/6W F OB01683A RK 15K 1/4W J OB41213A CP 330P 100V J OB40421A CE 220μ 25V (LN) OB41225A CP 1000P 100V J OB41702A CSP 22P 50V J OB41594A CM 0.1μ 100V J OB09816A CE 10μ 16V (LN) OB81634A 2P-T Post — Miscellaneous — OB60377F Main P.C.B. OB06303A TR 2SB772 (P,Q) OB10121A TR 2SD1407 OB10120A TR 2SB1016 OB10177A TR 2SA1491 (P,Y,G) OB10179A TR 2SC3855 (P,Y,G) OB01679A RK 100 1/4W J OB41007A C 1000P 25V J (8) OB41803A C 470P 50V J OB09370A CC 33P 50V J OB09545A C 330P 50V J OB41654A CP 4700P 100V J OB19004A Thermistor 50KD-5 OB90201A Insulator (2) OE00037A Earth Lug B-5 (1) OB82748B PD Connector V300 (1) OE00868A BT3x8 @ Binding (4) OE03138A M3x10 @ Binding (10) OJ05198A Heat Sink (1) OJ05205A Heat Sink Holder A (1) OJ05207A Main P.C.B. Holder (1)							

5.14. Eq. Sub P.C.B. Ass'y

Note: This P.C.B. Ass'y is included in the Eq. Amp. section of the Main P.C.B. Ass'y.

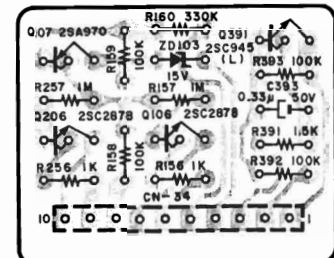


Fig. 5.14

5.15. Phono Input P.C.B. Ass'y

Note: This P.C.B. Ass'y is included in the Eq. Amp. section of the Main P.C.B. Ass'y.

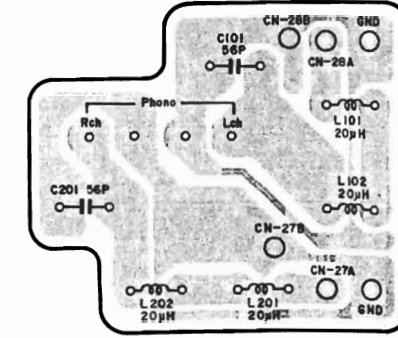


Fig. 5.15

6. SCHEMATIC DIAGRAMS

6.1. IC Block Diagrams

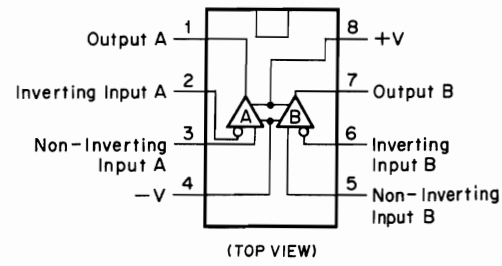


Fig. 6.1.1 Operational Amp. IC 4558DD, 072DE

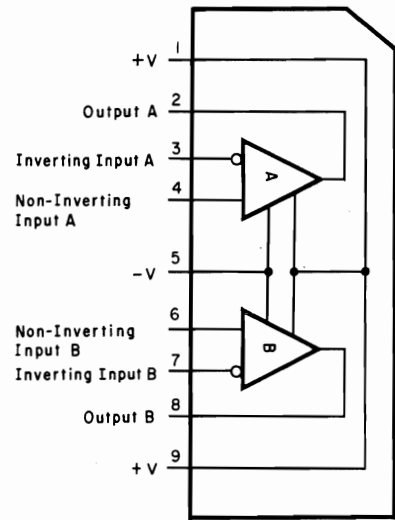


Fig. 6.1.2 Operational Amp. IC 072S

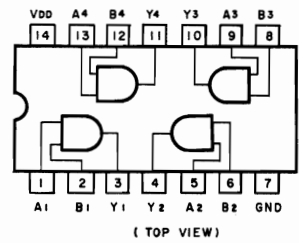


Fig. 6.1.3 AND Gate C-MOS IC μPD4081BC

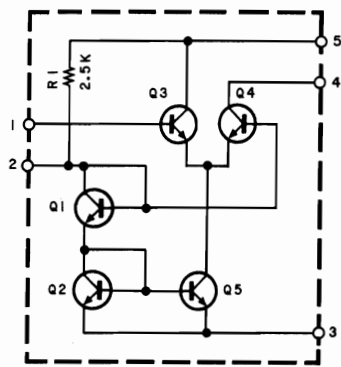


Fig. 6.1.4 FM IF Amp. IC TA7060AP

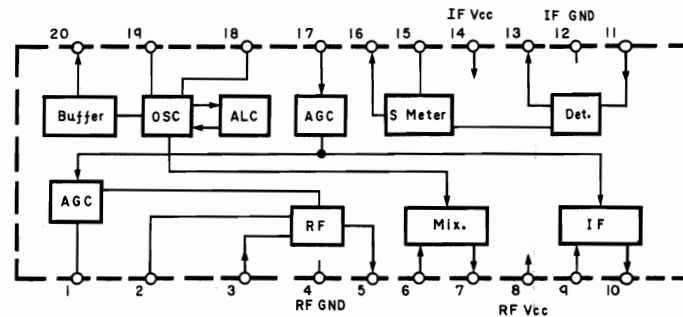


Fig. 6.1.5 AM Tuner IC LA1247

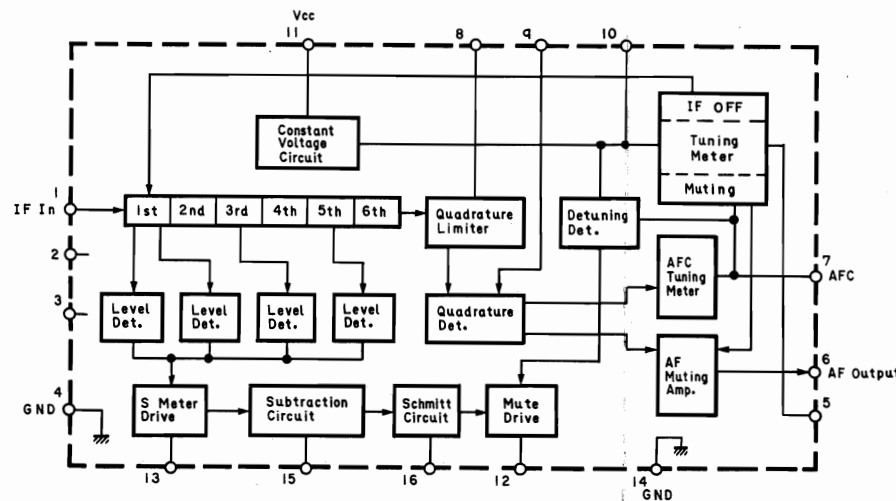


Fig. 6.1.6 FM IF System IC LA1235

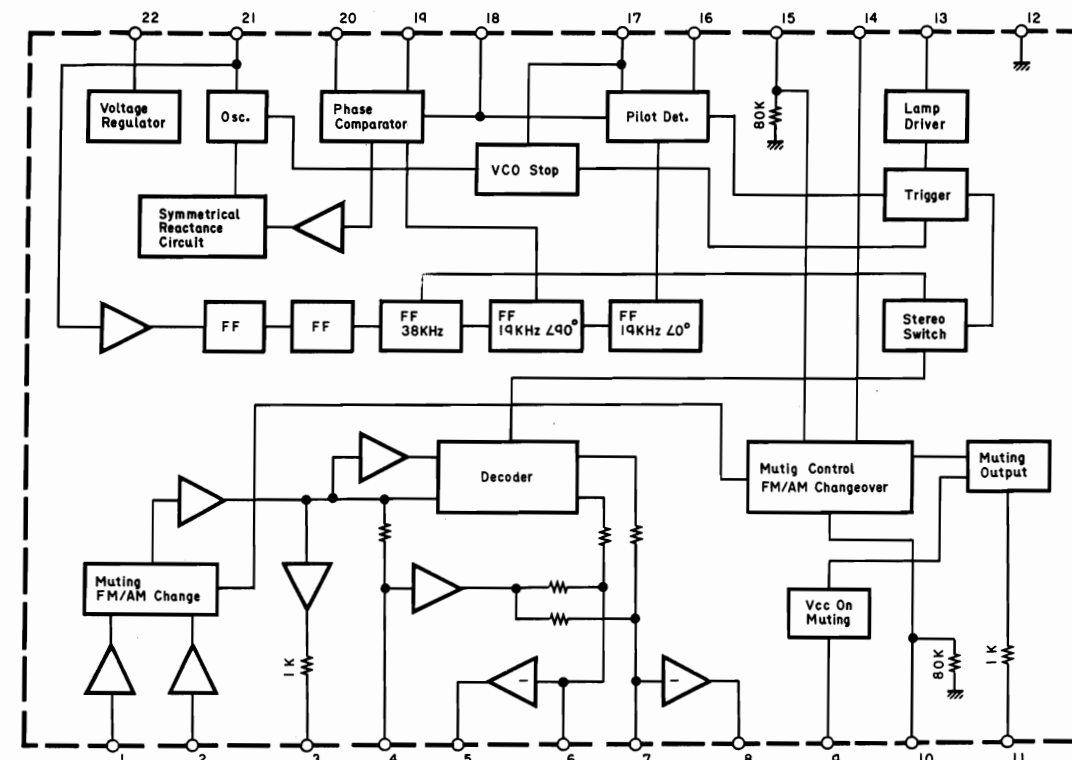


Fig. 6.1.7 FM Stereo Demodulator IC LA3400N

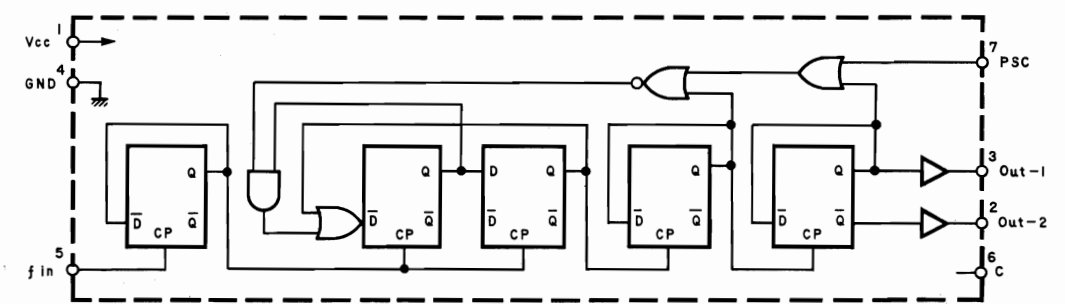


Fig. 6.1.8 ECL Prescaler (FM) IC TD6104

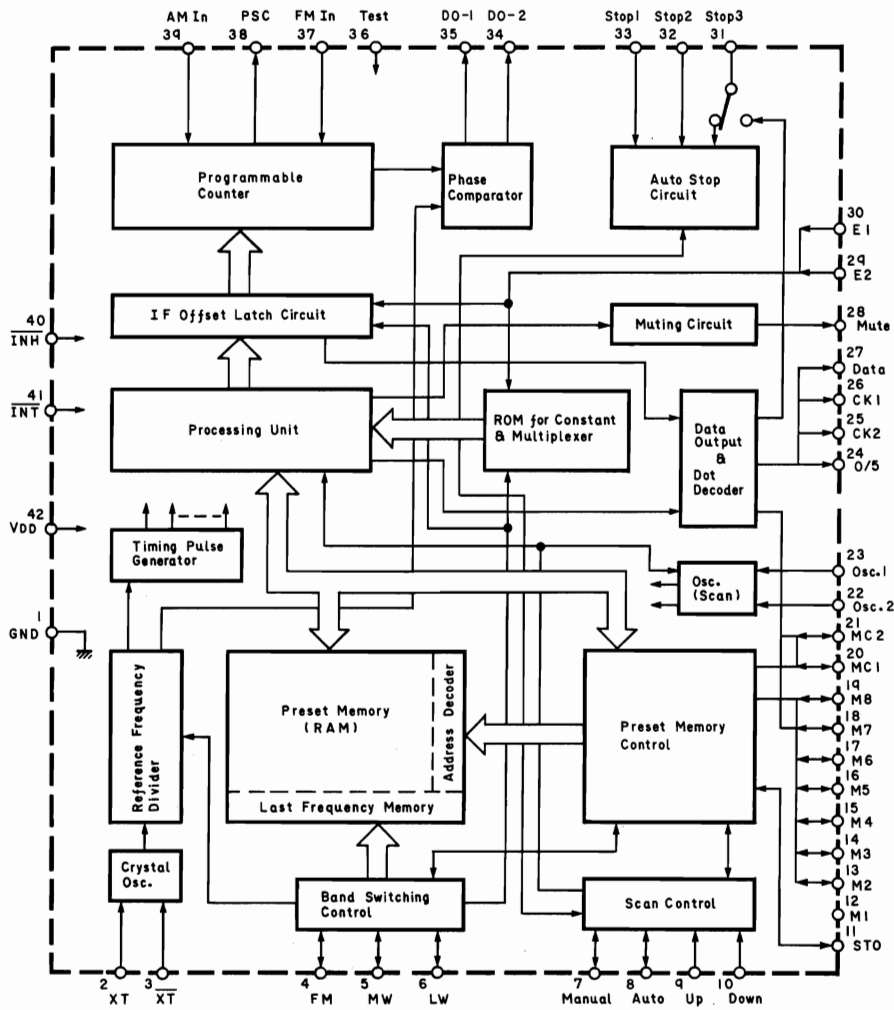


Fig. 6.1.9 FM/MW/LW 3-Band Digital Tuning (Static Method) IC TC9147BP

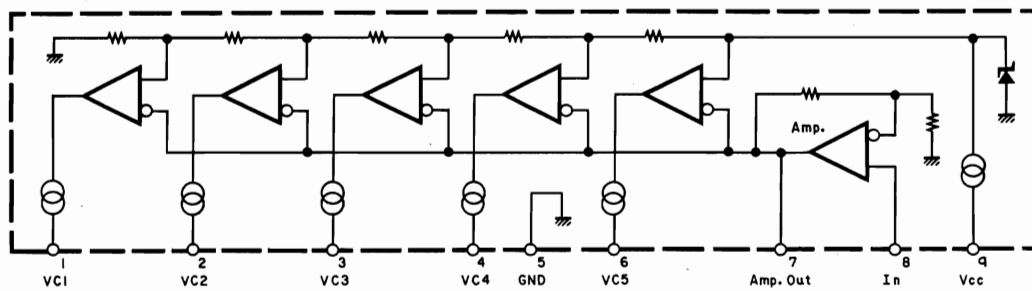


Fig. 6.1.10 Signal Meter Driver IC LB1413N

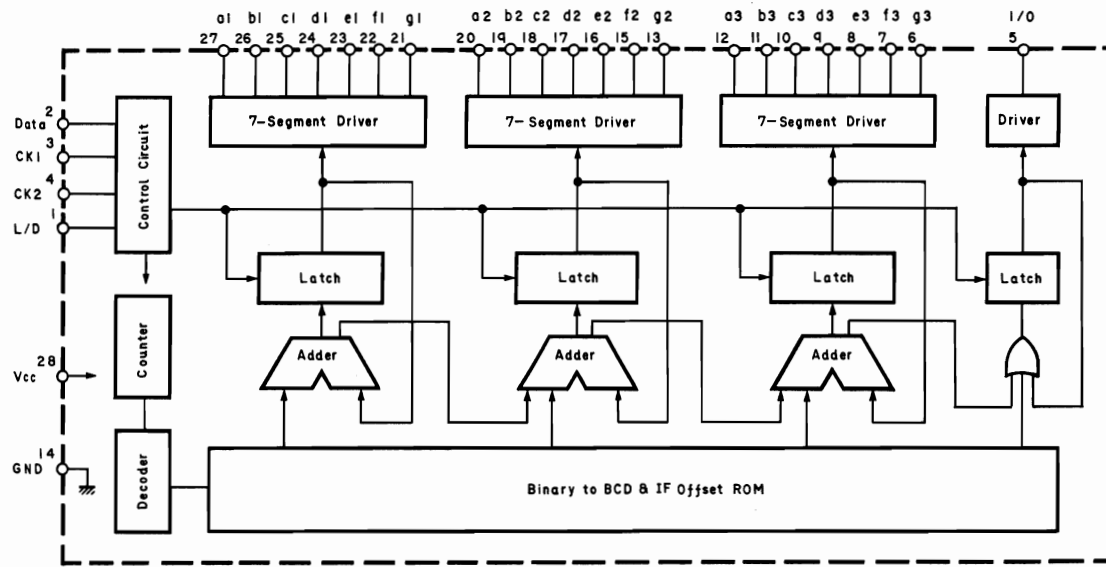


Fig. 6.1.11 Indicator Driver IC TD6301A

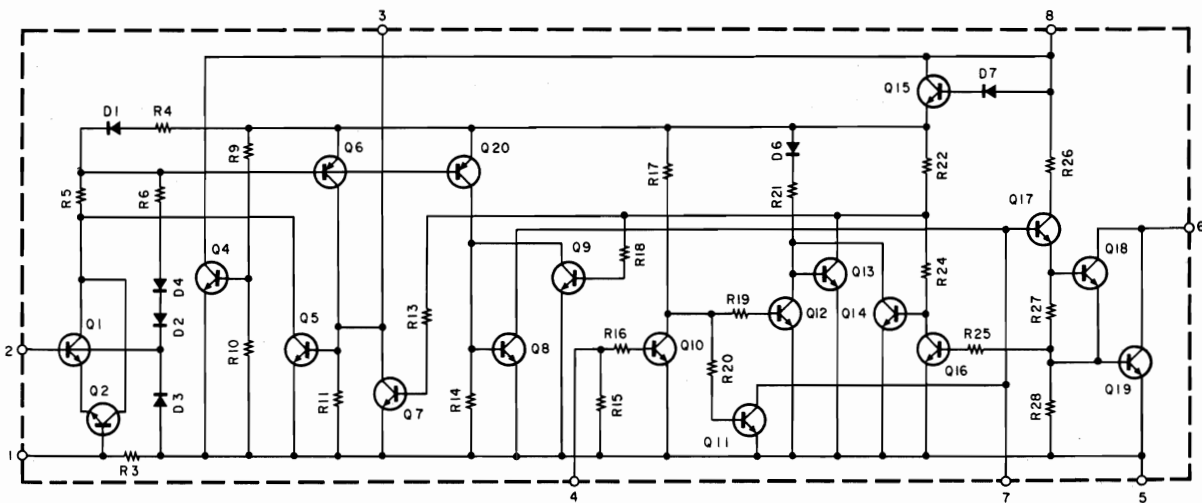


Fig. 6.1.12 Power Amp./Speaker Protector IC μPC1237H

6.2. Schematic Diagrams  
 6.2.1. Tuner and Power Supply Section  
 (1) For SR-2 (Canada) & SR-2A

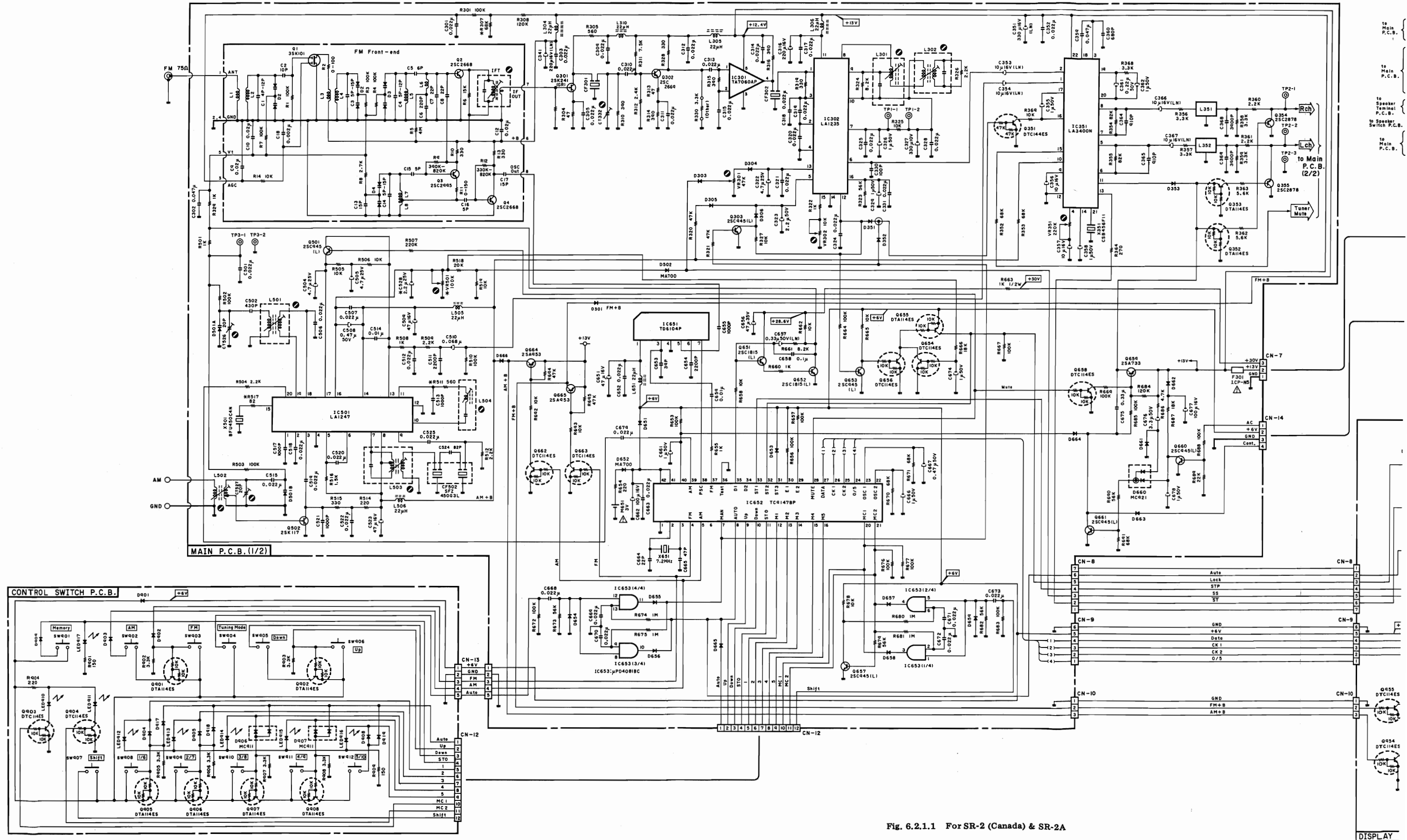


Fig. 6.2.1.1 For SR-2 (Canada) & SR-2A

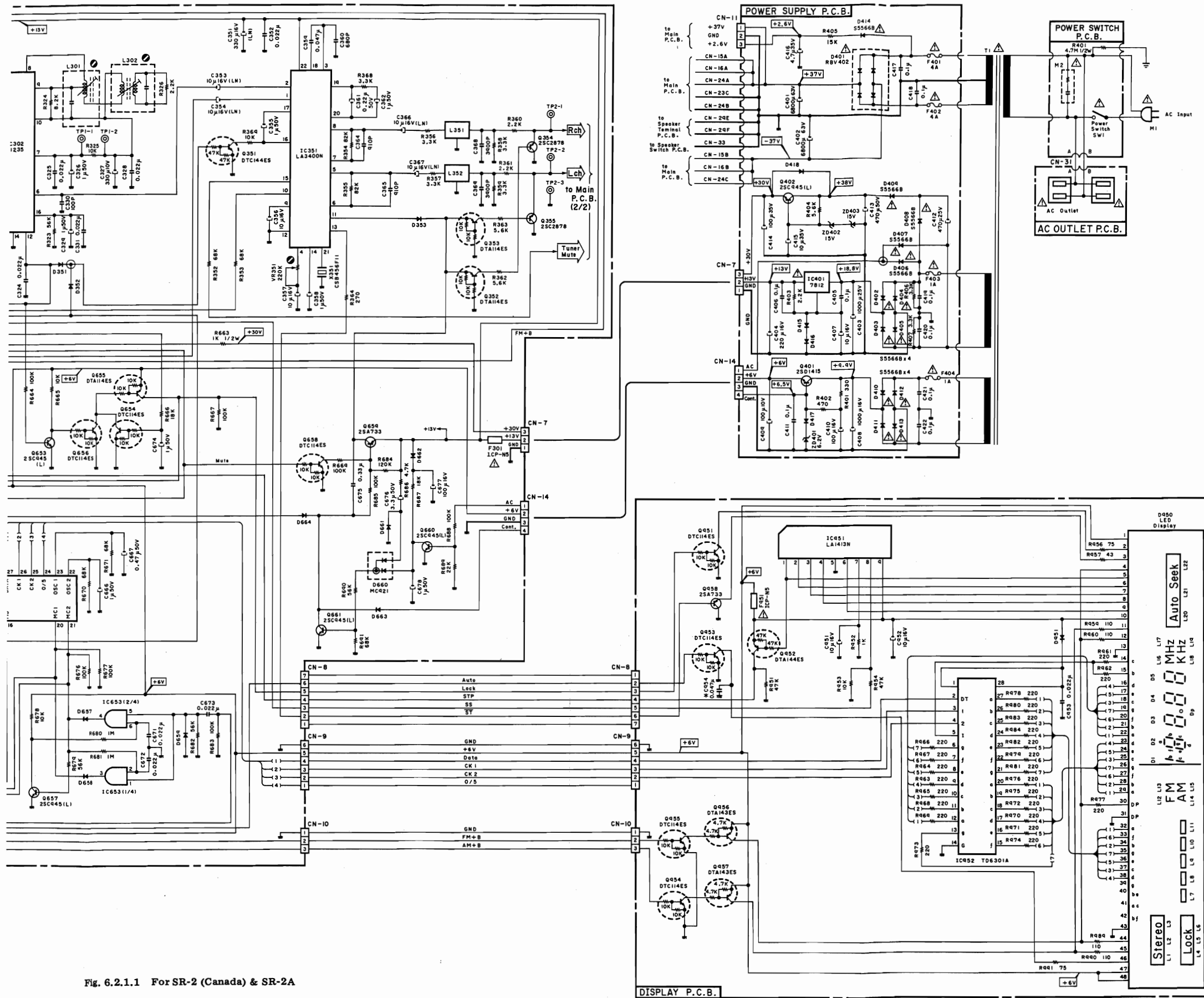



Fig. 6.2.1.1 For SR-2 (Canada) & SR-2A

**WARNING:**  
 Parts marked with the symbol  have critical characteristics. Use **ONLY** replacement parts recommended by the manufacturer. It is recommended that the unit be operated from a suitable DC supply or batteries during initial check-out procedures.

**CAUTION:**  
 Before returning the unit to the customer, make sure you make either (1) a leakage current check or (2) a line to chassis resistance check. If the leakage current exceeds 0.5 milliamp, or if the resistance from chassis to either side of the power cord is less than 240 k ohms, the unit is defective. **WARNING - DO NOT** return the unit to the customer until the problem is located and corrected.

**For Lithium Battery:**  
 Use **ONLY** replacement parts recommended by the manufacturer. Replacement must be done only by qualified service personnel because of risk for explosion.

- Notes:
1. Diode is 1SS53, 1S1555, or 1SS176 unless otherwise specified.
  2. Resistor and capacitor marked with \* show typical value.
  3. 2SA733, 2SA608SP, 2SA1048 and 2SA1175 are interchangeable with each other.
  4. 2SC945, 2SC536SP, 2SC2458 and 2SC2785 are interchangeable with each other.



(2) For SR-2 (Australia & Other)

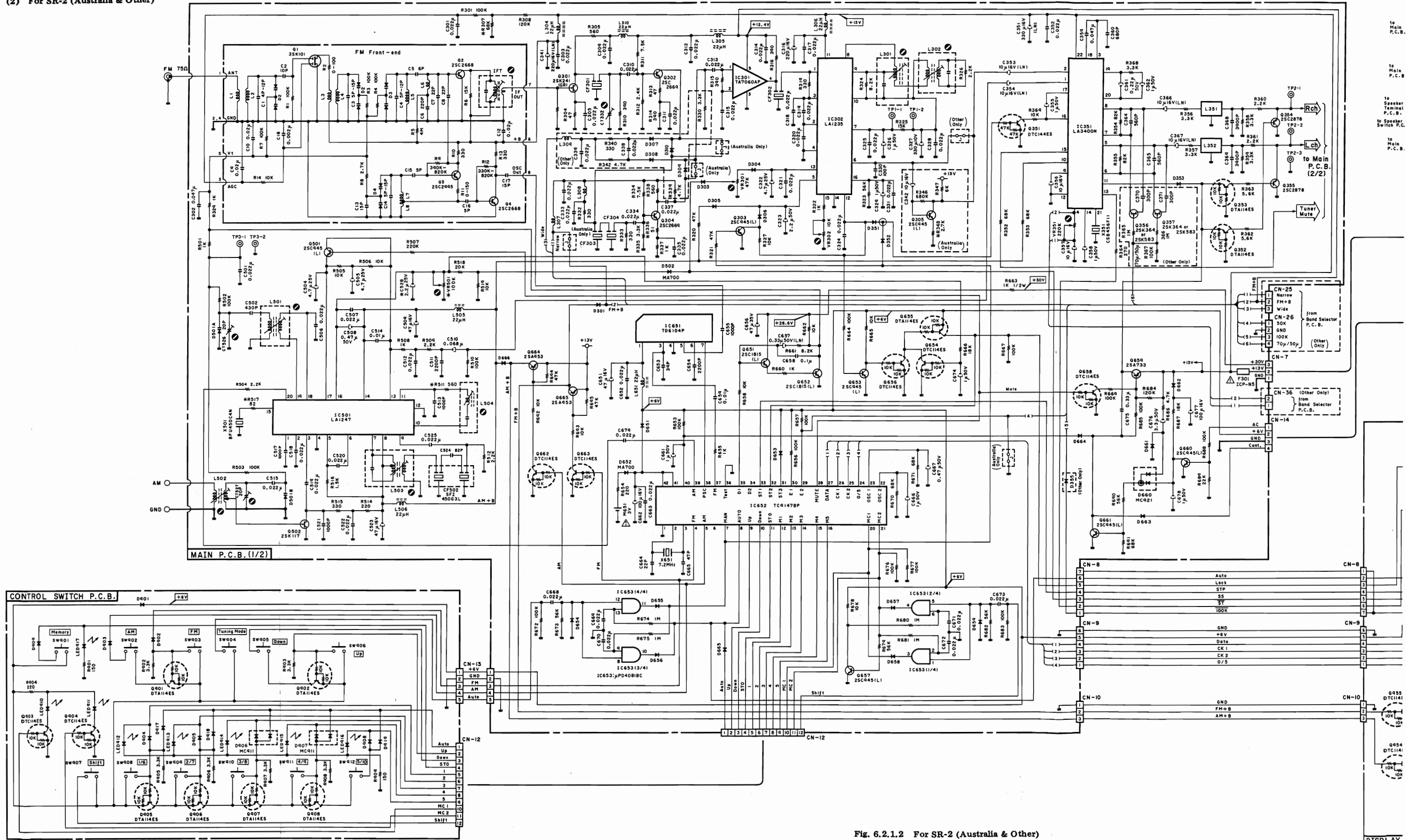


Fig. 6.2.1.2 For SR-2 (Australia & Other)

DISPLAY

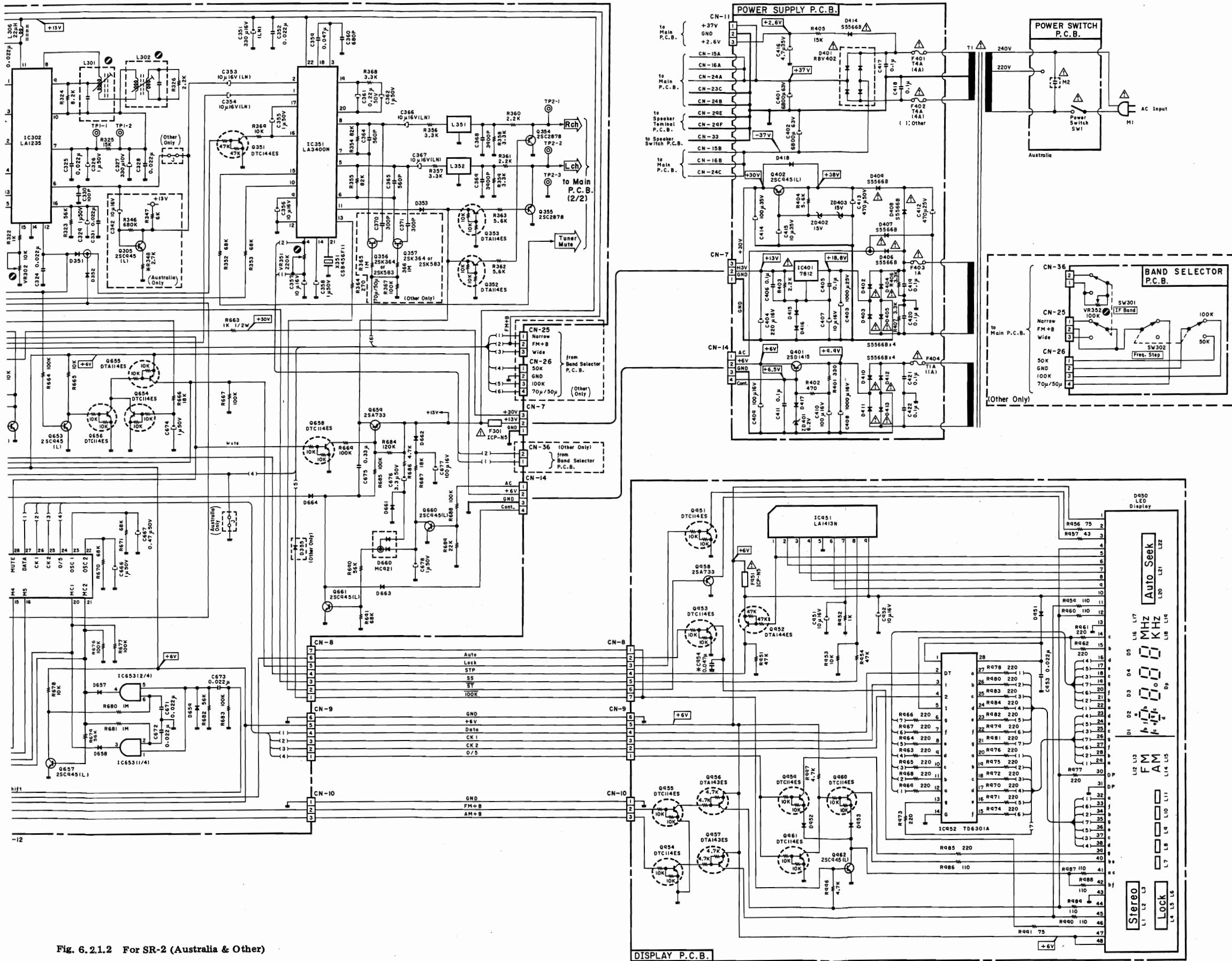



Fig. 6.2.1.2 For SR-2 (Australia & Other)

**WARNING:**  
Parts marked with the symbol  have critical characteristics. Use ONLY replacement parts recommended by the manufacturer. It is recommended that the unit be operated from a suitable DC supply or batteries during initial check-out procedures.

**CAUTION:**  
Before returning the unit to the customer, make sure you make either (1) a leakage current check or (2) a line to chassis resistance check. If the leakage current exceeds 0.5 milliamp, or if the resistance from chassis to either side of the power cord is less than 240 k ohms, the unit is defective. **WARNING — DO NOT** return the unit to the customer until the problem is located and corrected.

**For Lithium Battery:**  
Use ONLY replacement parts recommended by the manufacturer. Replacement must be done only by qualified service personnel because of risk for explosion.

- Notes:
1. Diode is 1SS53, 1S1555, or 1SS176 unless otherwise specified.
  2. Resistor and capacitor marked with \* show typical value.
  3. 2SA733, 2SA608SP, 2SA1048 and 2SA1175 are interchangeable with each other.
  4. 2SC945, 2SC536SP, 2SC2458 and 2SC2785 are interchangeable with each other.

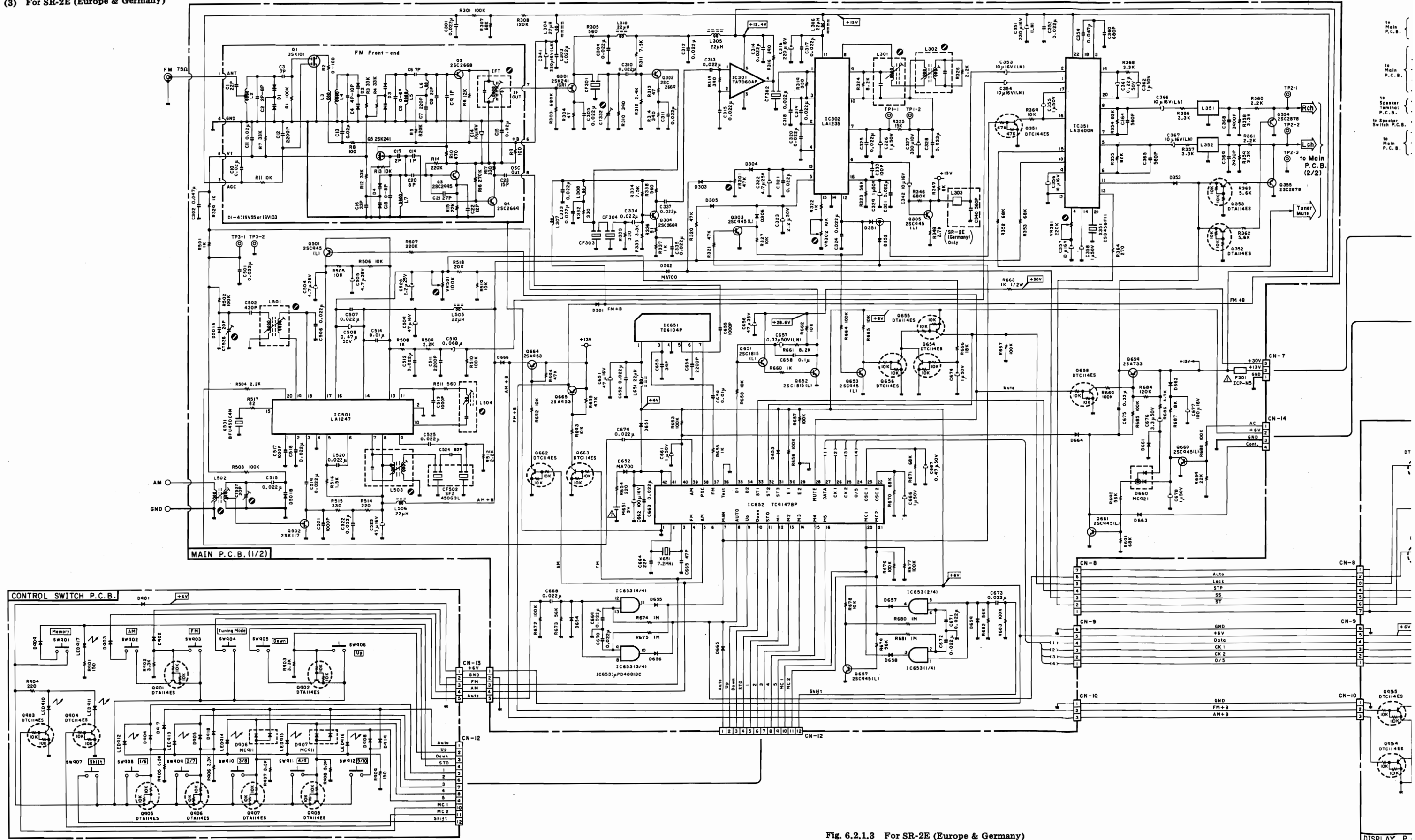


Fig. 6.2.1.3 For SR-2E (Europe & Germany)

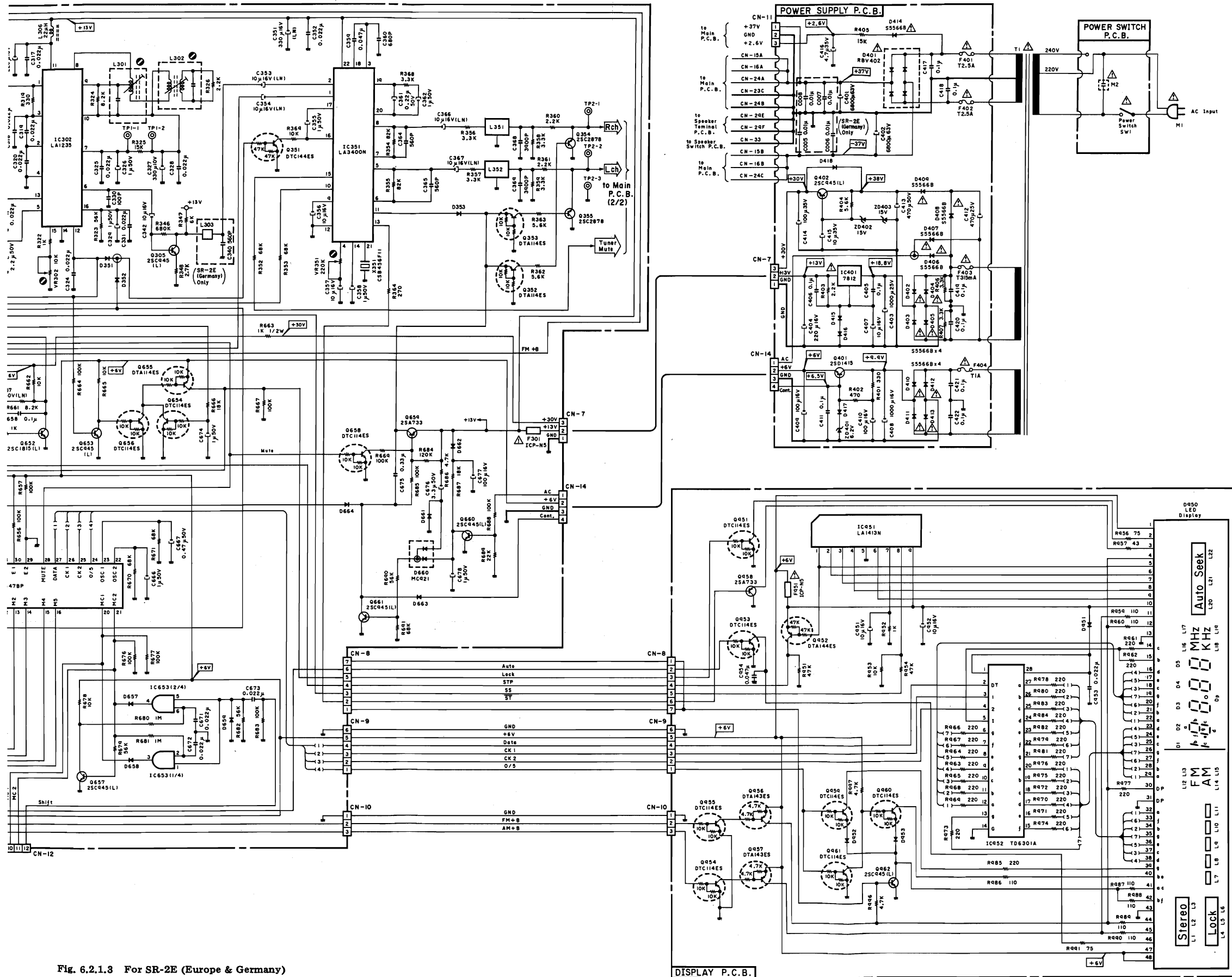



Fig. 6.2.1.3 For SR-2E (Europe & Germany)

**WARNING:**  
 Parts marked with the symbol  have critical characteristics. Use ONLY replacement parts recommended by the manufacturer. It is recommended that the unit be operated from a suitable DC supply or batteries during initial check-out procedures.

**CAUTION:**  
 Before returning the unit to the customer, make sure you make either (1) a leakage current check or (2) a line to chassis resistance check. If the leakage current exceeds 0.5 milliamp, or if the resistance from chassis to either side of the power cord is less than 240 k ohms, the unit is defective. **WARNING - DO NOT** return the unit to the customer until the problem is located and corrected.

**For Lithium Battery:**  
 Use ONLY replacement parts recommended by the manufacturer. Replacement must be done only by qualified service personnel because of risk for explosion.

- Notes:**
1. Diode is 1SS53, 1S1555, or 1SS176 unless otherwise specified.
  2. 2SA733, 2SA608SP, 2SA1048 and 2SA1175 are interchangeable with each other.
  3. 2SC945, 2SC536SP, 2SC2458 and 2SC2785 are interchangeable with each other.

6.2.2. Amplifier Section  
(1) For SR-2 & SR-2A

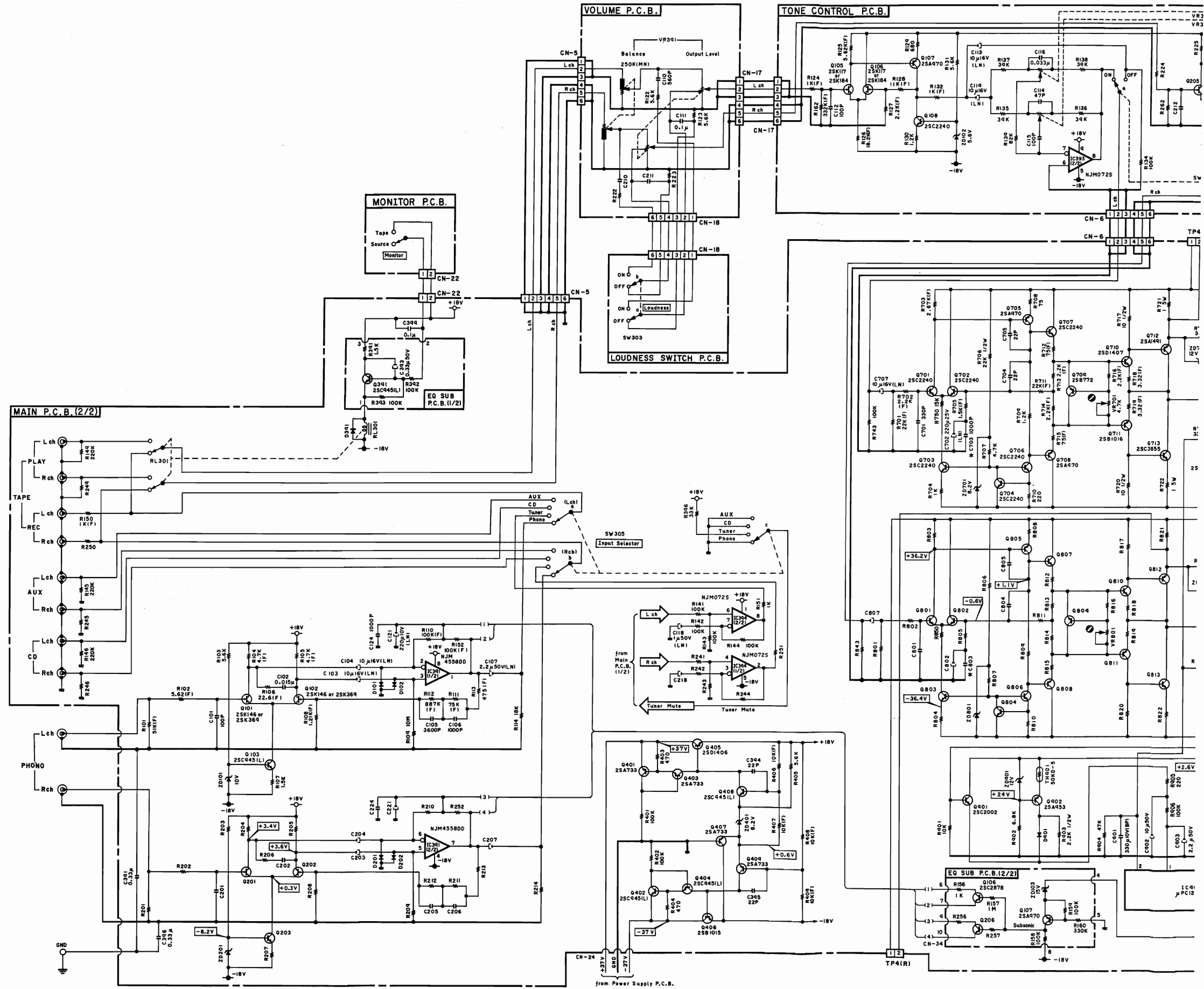
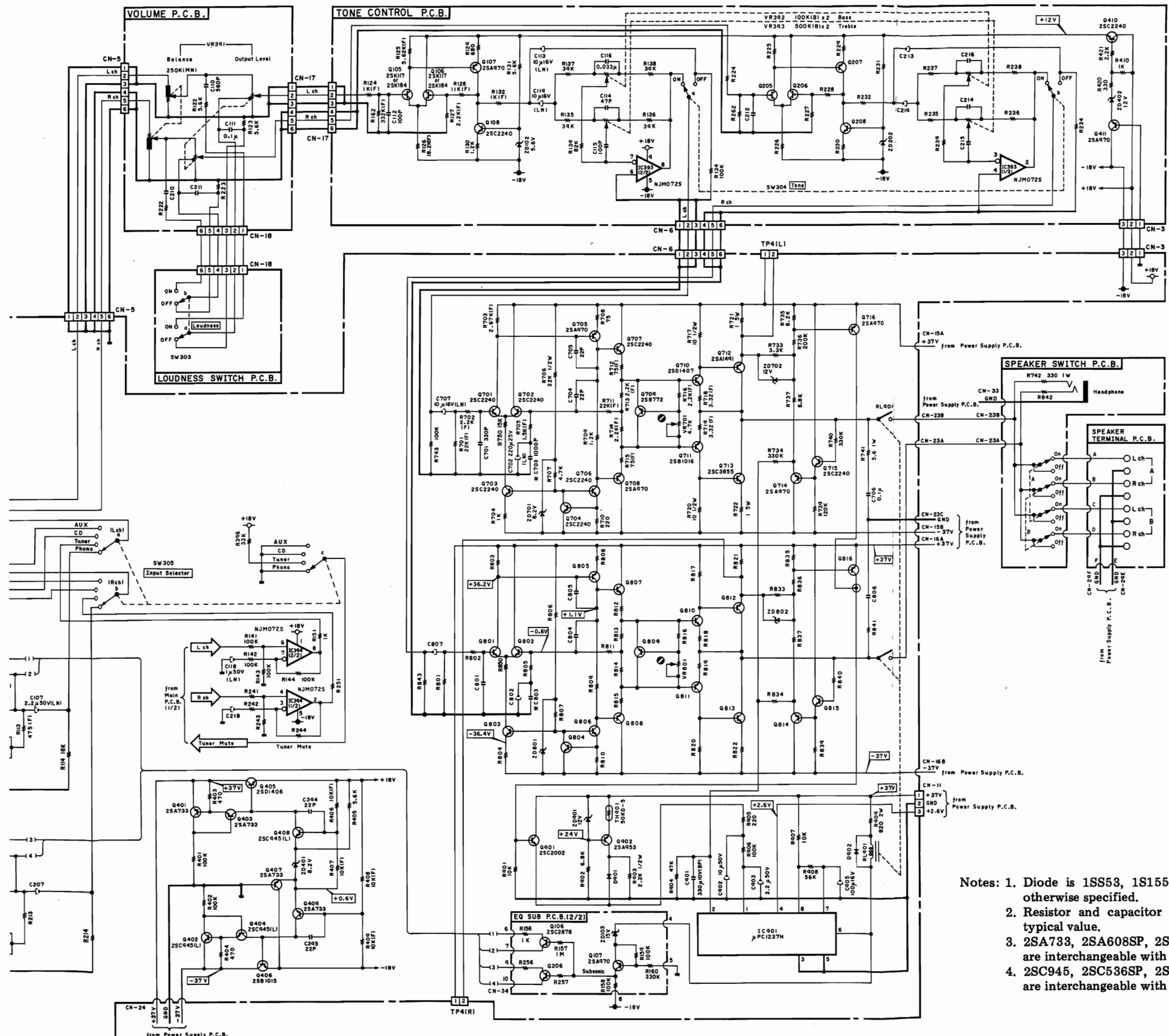


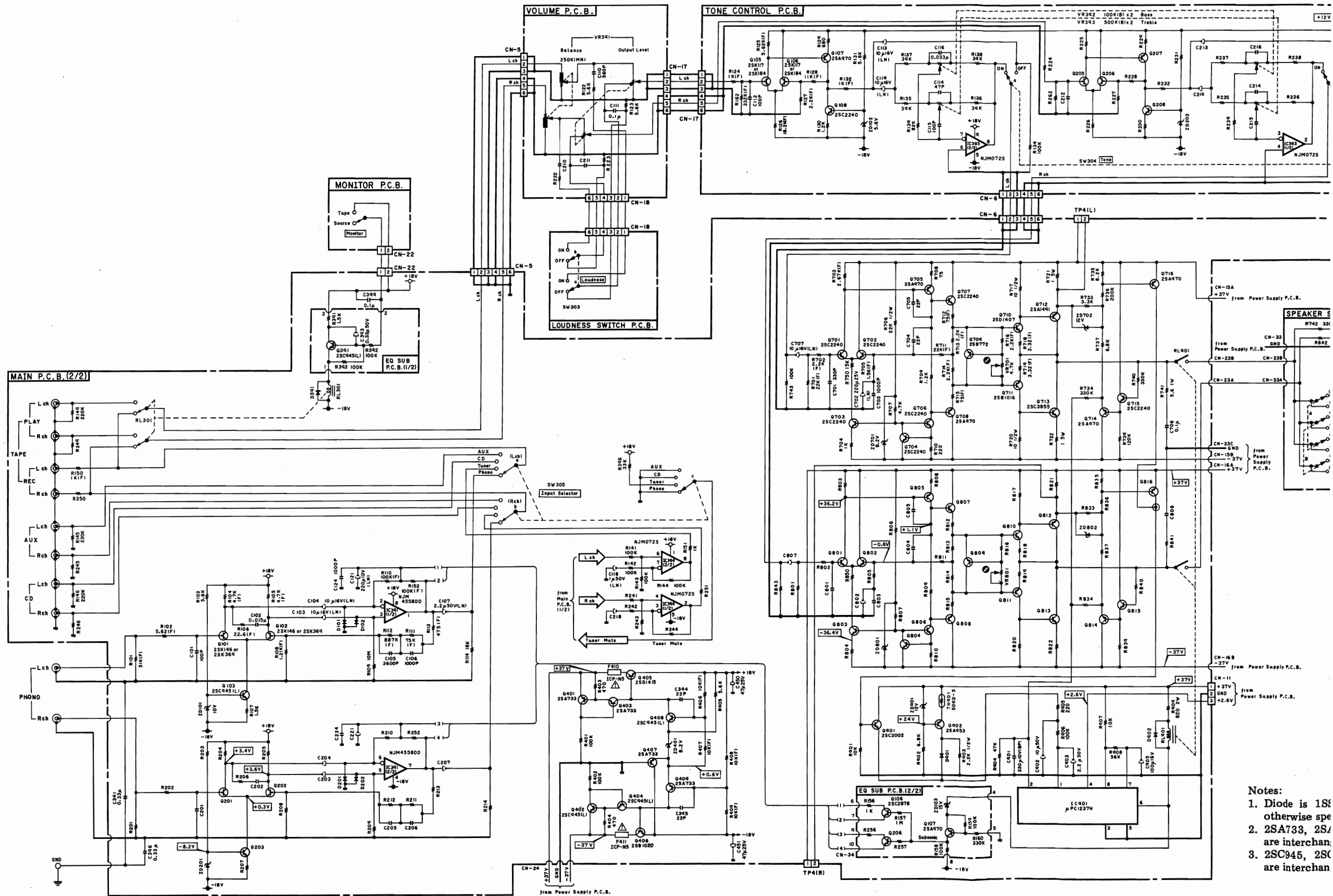
Fig. 6.2.2.1 For SR-2 & SR-2A



- Notes:
1. Diode is 1SS53, 1S1555, or 1SS176 unless otherwise specified.
  2. Resistor and capacitor marked with \* show typical value.
  3. 2SA733, 2SA608SP, 2SA1048 and 2SA1175 are interchangeable with each other.
  4. 2SC945, 2SC536SP, 2SC2458 and 2SC2785 are interchangeable with each other.

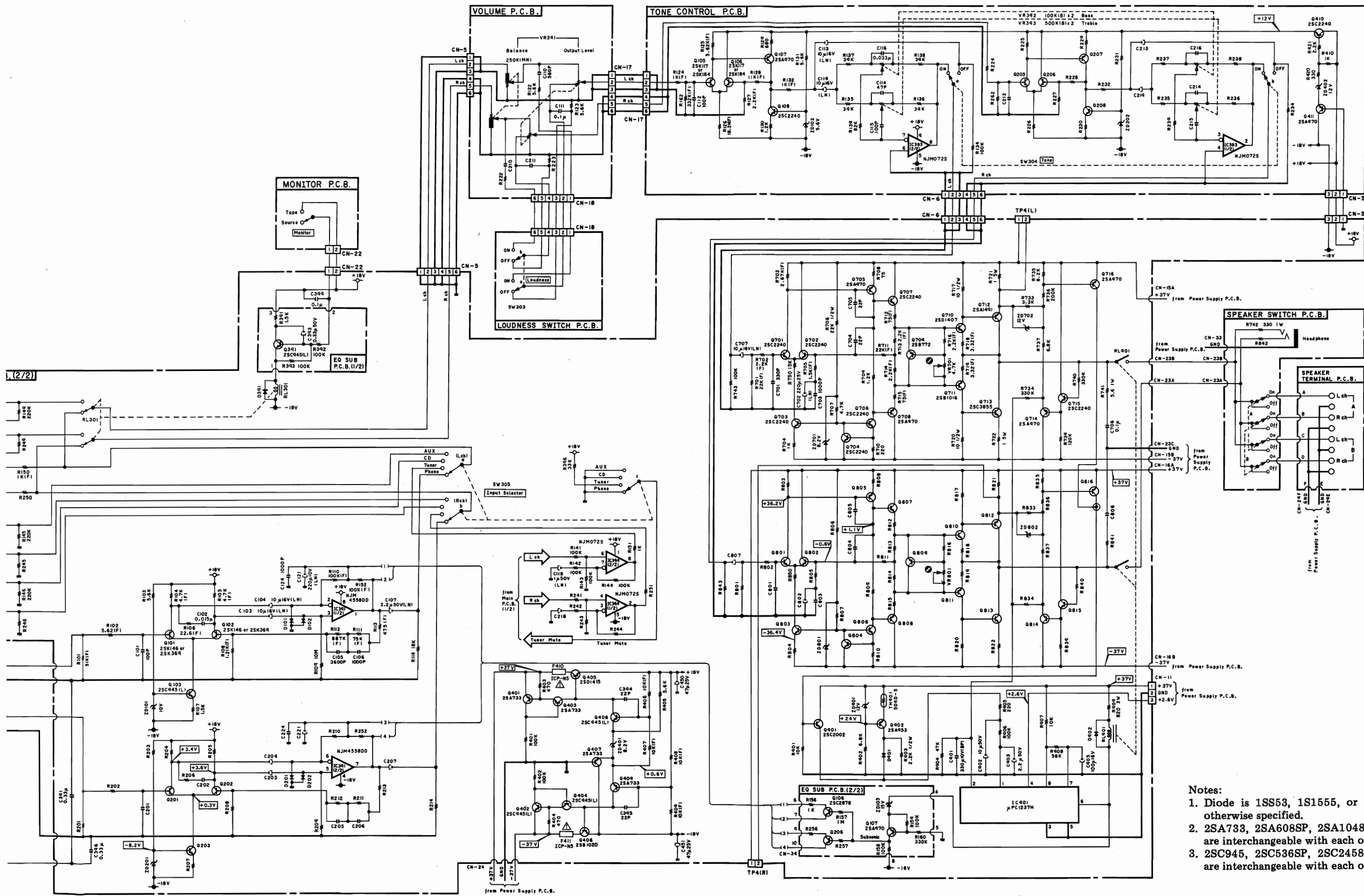
Fig. 6.2.2.1 For SR-2 & SR-2A





- Notes:
1. Diode is 1S8 otherwise spe
  2. 2SA733, 2S are interchan
  3. 2SC945, 2SC are interchan

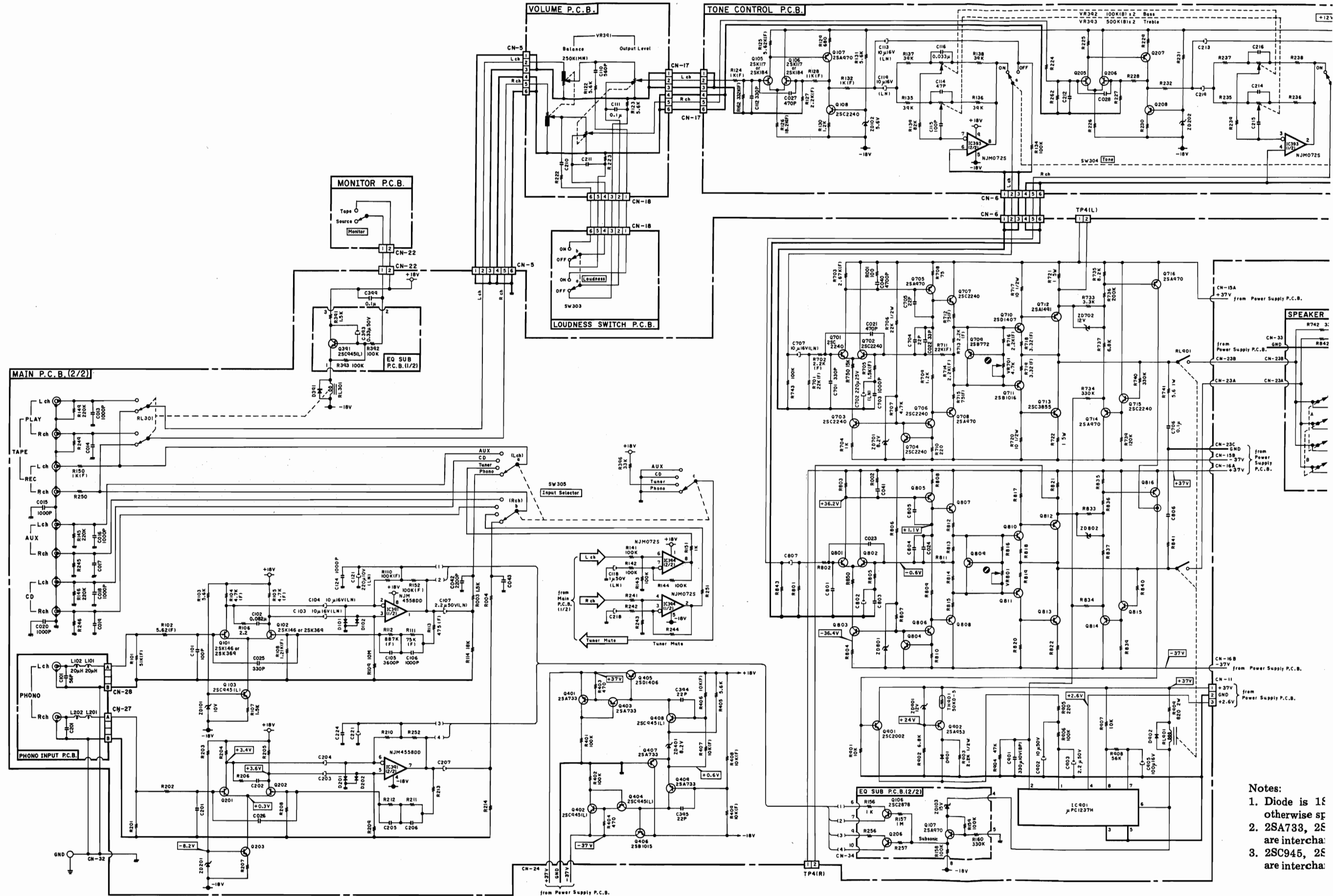
Fig. 6.2.2.2 For SR-2E (Europe)



- Notes:
1. Diode is 1SS53, 1S1555, or 1SS176 unless otherwise specified.
  2. 2SA733, 2SA608SP, 2SA1048 and 2SA1175 are interchangeable with each other.
  3. 2SC945, 2SC536SP, 2SC2458 and 2SC2785 are interchangeable with each other.

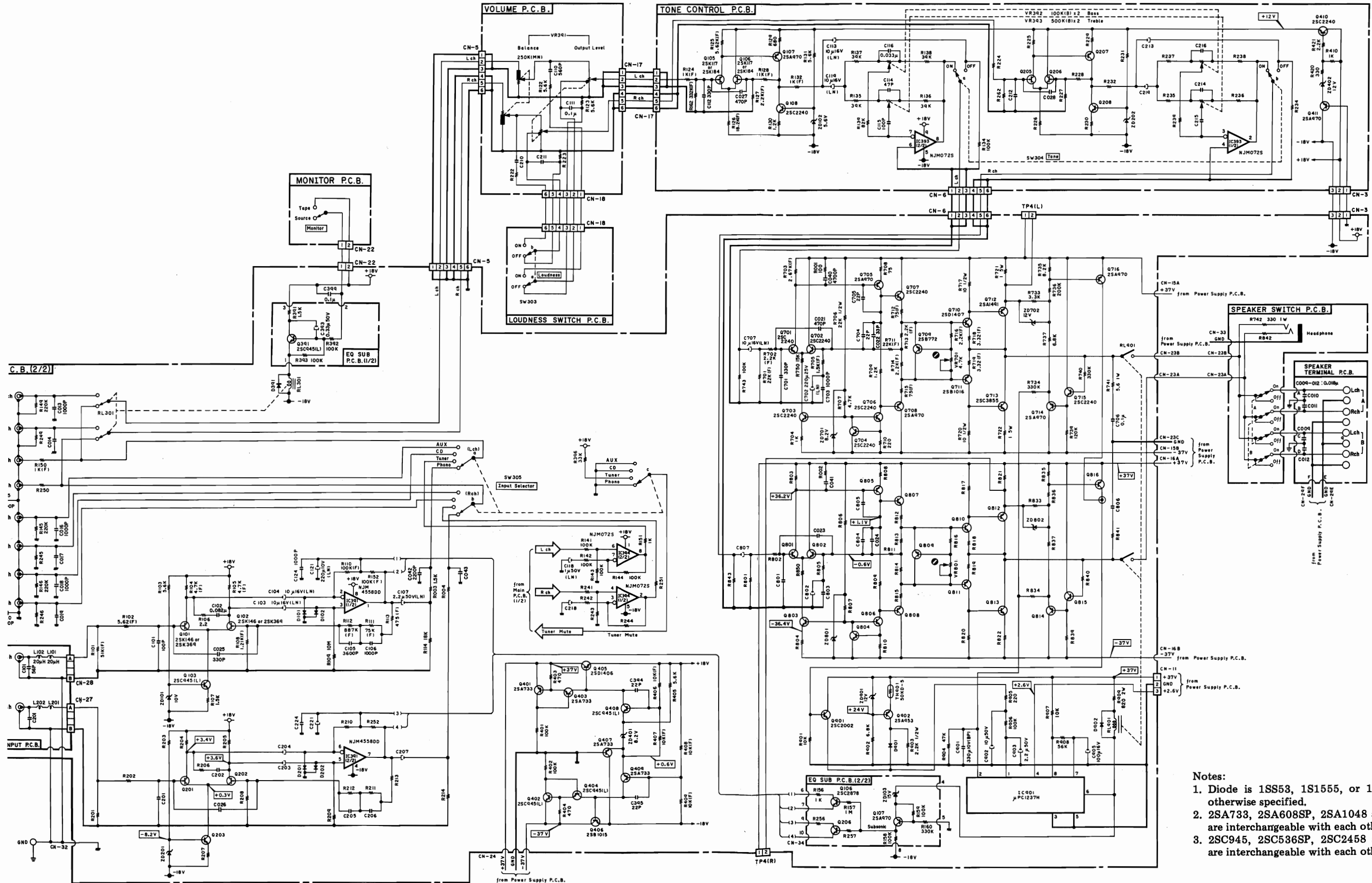
Fig. 6.2.2.2 For SR-2E (Europe)





- Notes:
1. Diode is 1S otherwise 2S
  2. 2SA733, 2S are intercha
  3. 2SC945, 2S are intercha

Fig. 6.2.2.3 For SR-2E (Germany)

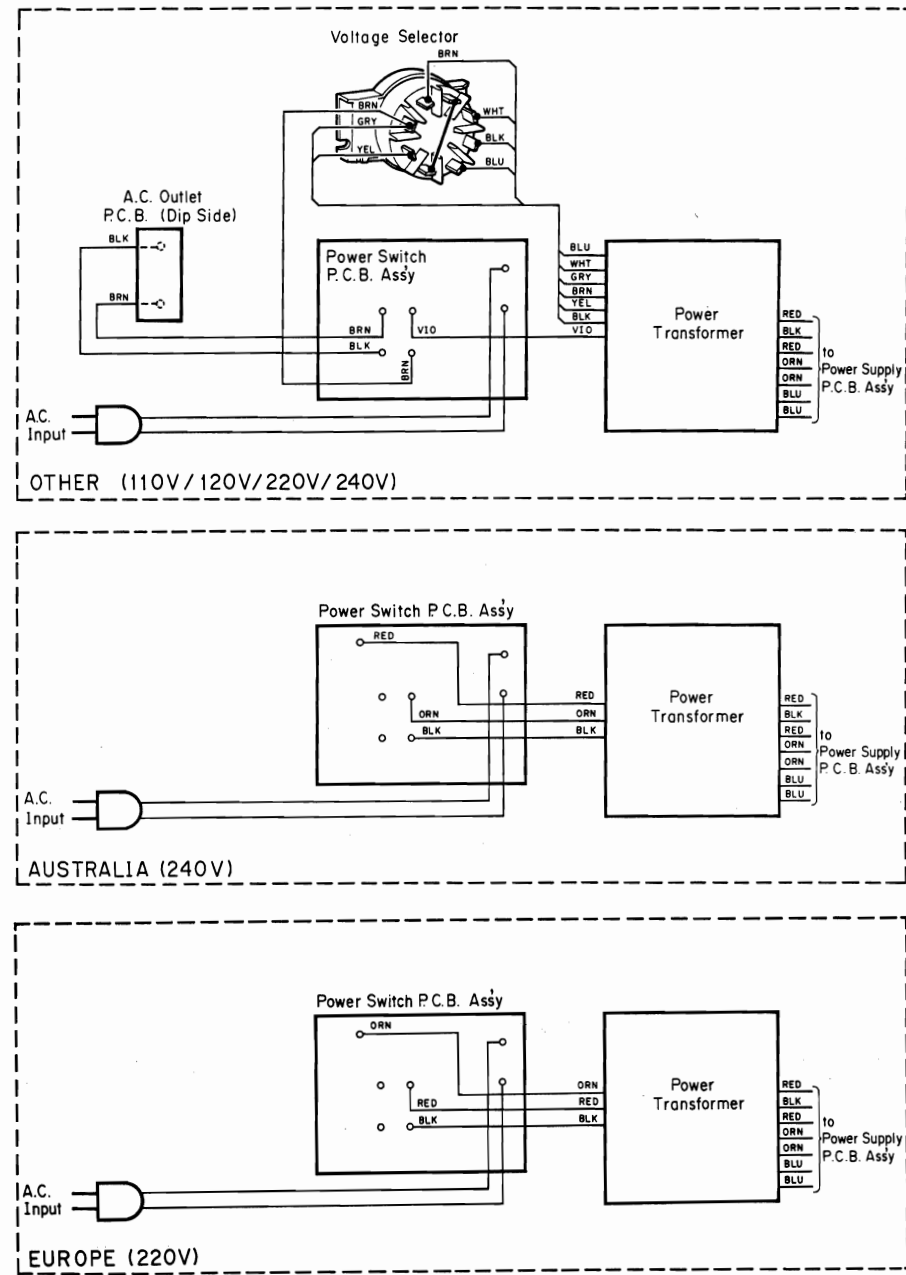


- Notes:
1. Diode is 1SS53, 1S1555, or 1SS176 unless otherwise specified.
  2. 2SA733, 2SA608SP, 2SA1048 and 2SA1175 are interchangeable with each other.
  3. 2SC945, 2SC536SP, 2SC2458 and 2SC2785 are interchangeable with each other.

Fig. 6.2.2.3 For SR-2E (Germany)

7. WIRING DIAGRAMS

(1) For SR-2, SR-2A & SR-2E (Europe)



Notes: 1. Table of wire colors

BRN — Brown	BLU — Blue
RED — Red	VIO — Violet
ORN — Orange	GRY — Gray
YEL — Yellow	WHT — White
GRN — Green	BLK — Black

2. Component side view of the P.C.B. is illustrated unless otherwise specified.  
 3. CN-36 on the Main P.C.B. Ass'y and the Band Selector P.C.B. Ass'y are not mounted for the former Models.

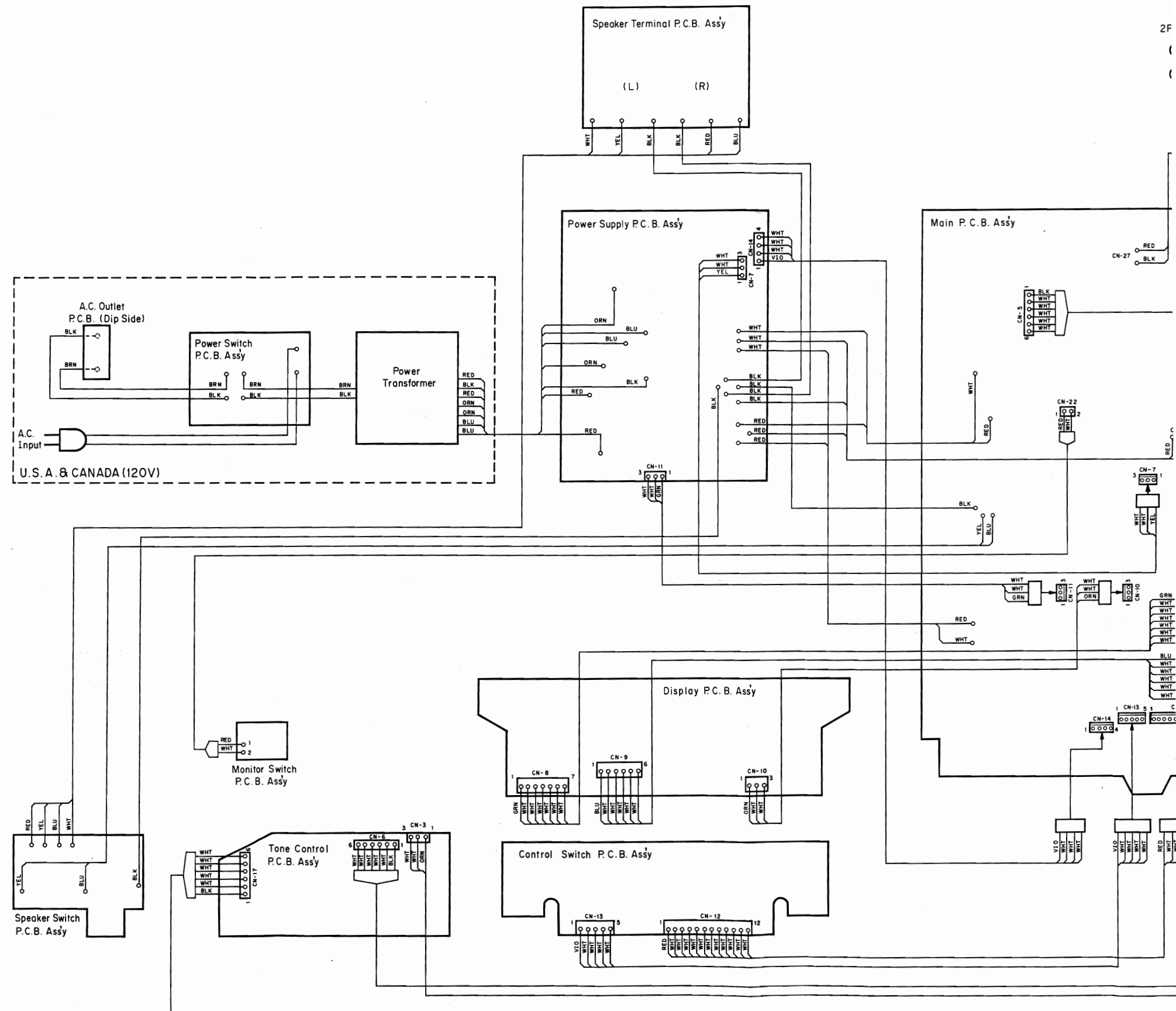
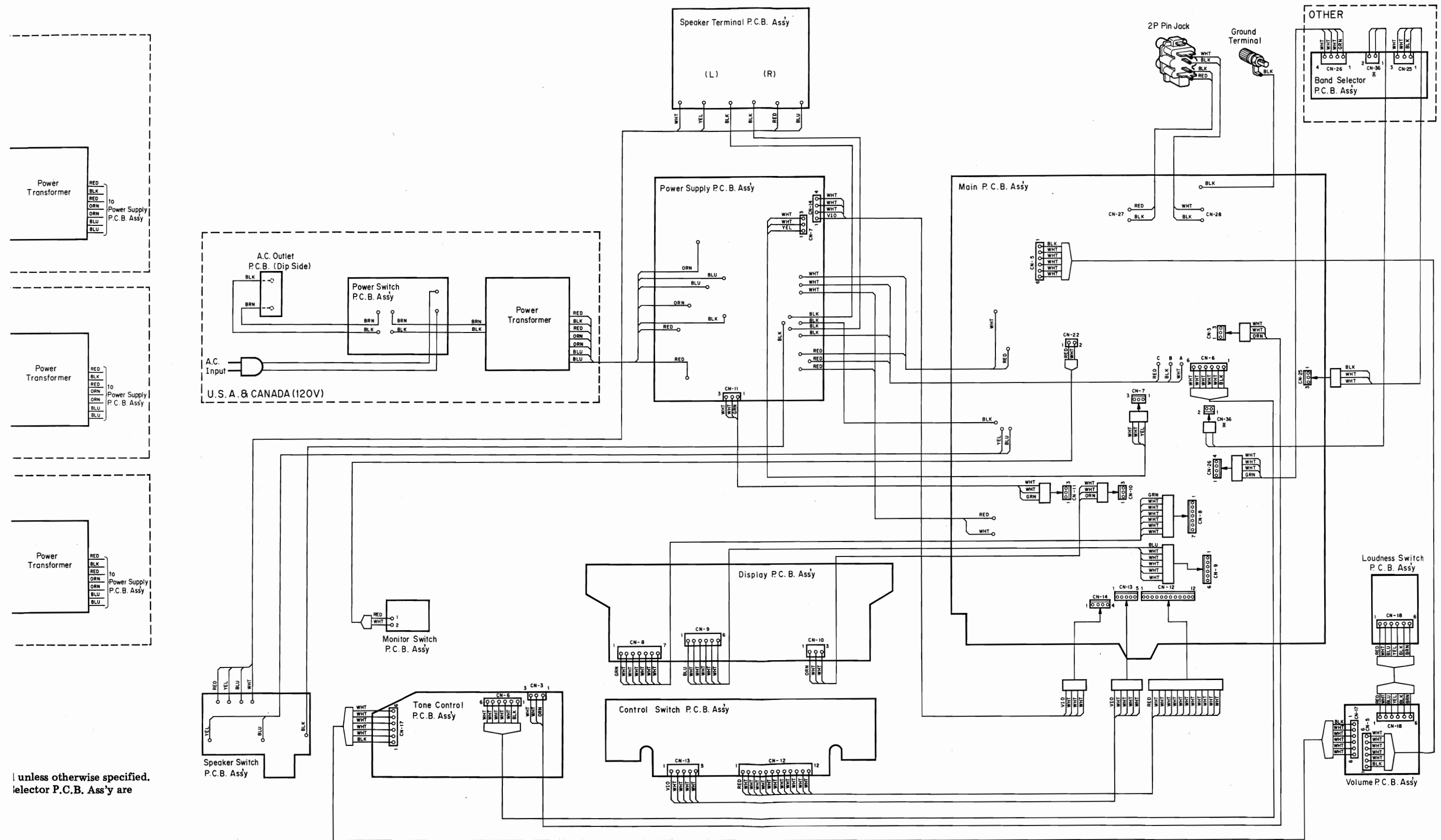


Fig. 7.1 For SR-2, SR-2A & SR-2E (Europe)



unless otherwise specified, selector P.C.B. Assy are

Fig. 7.1 For SR-2, SR-2A & SR-2E (Europe)

(2) For SR-2E (Germany)

Notes: 1. Table of wire colors

BRN — Brown	BLU — Blue
RED — Red	VIO — Violet
ORN — Orange	GRY — Gray
YEL — Yellow	WHT — White
GRN — Green	BLK — Black

2. Component side view of the P.C.B. is illustrated unless otherwise specified.

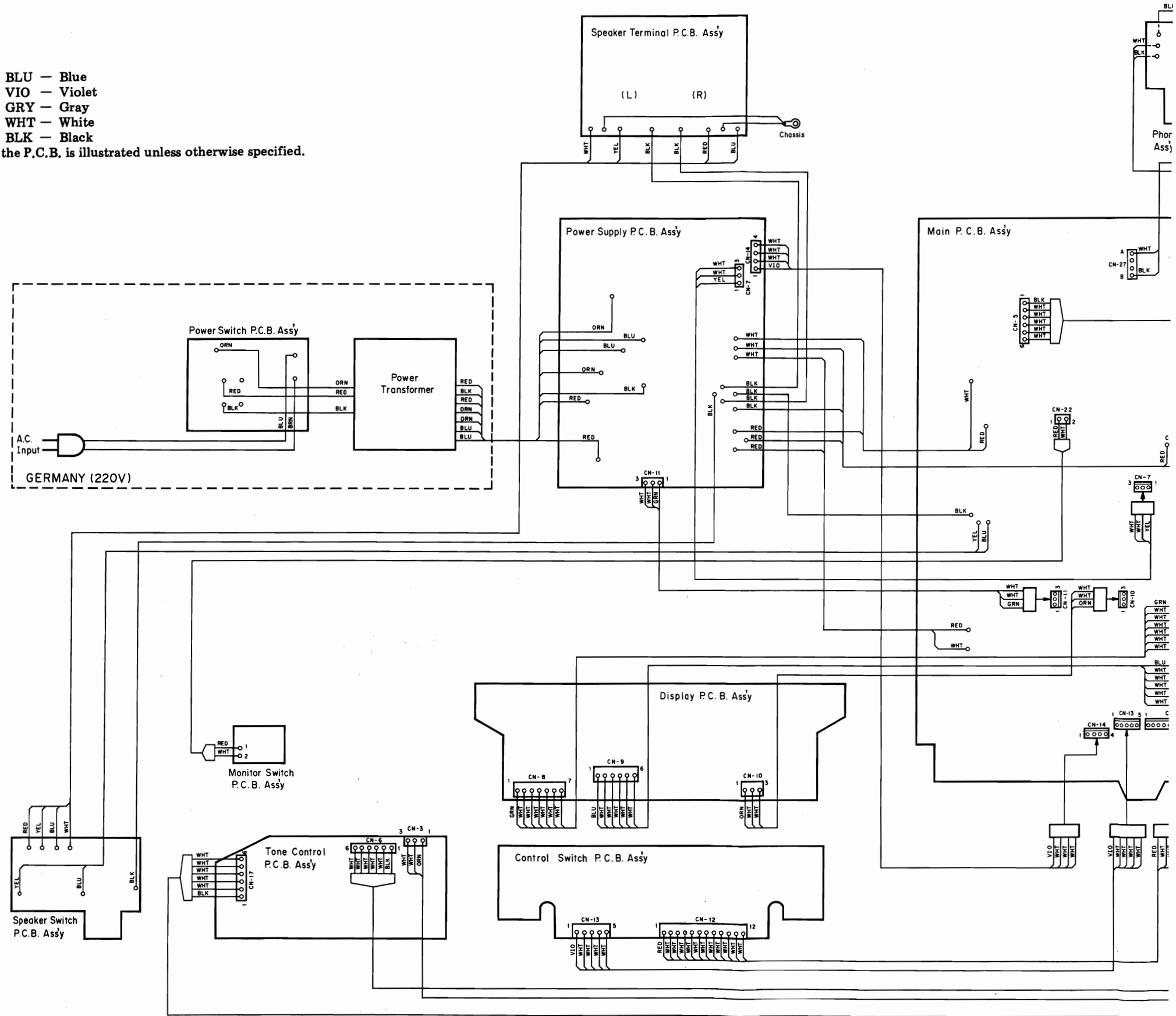


Fig. 7.2 For SR-2E (Germany)

2) For SR-2E (Germany)

Notes: 1. Table of wire colors

BRN — Brown	BLU — Blue
RED — Red	VIO — Violet
ORN — Orange	GRY — Gray
YEL — Yellow	WHT — White
GRN — Green	BLK — Black

2. Component side view of the P.C.B. is illustrated unless otherwise specified.

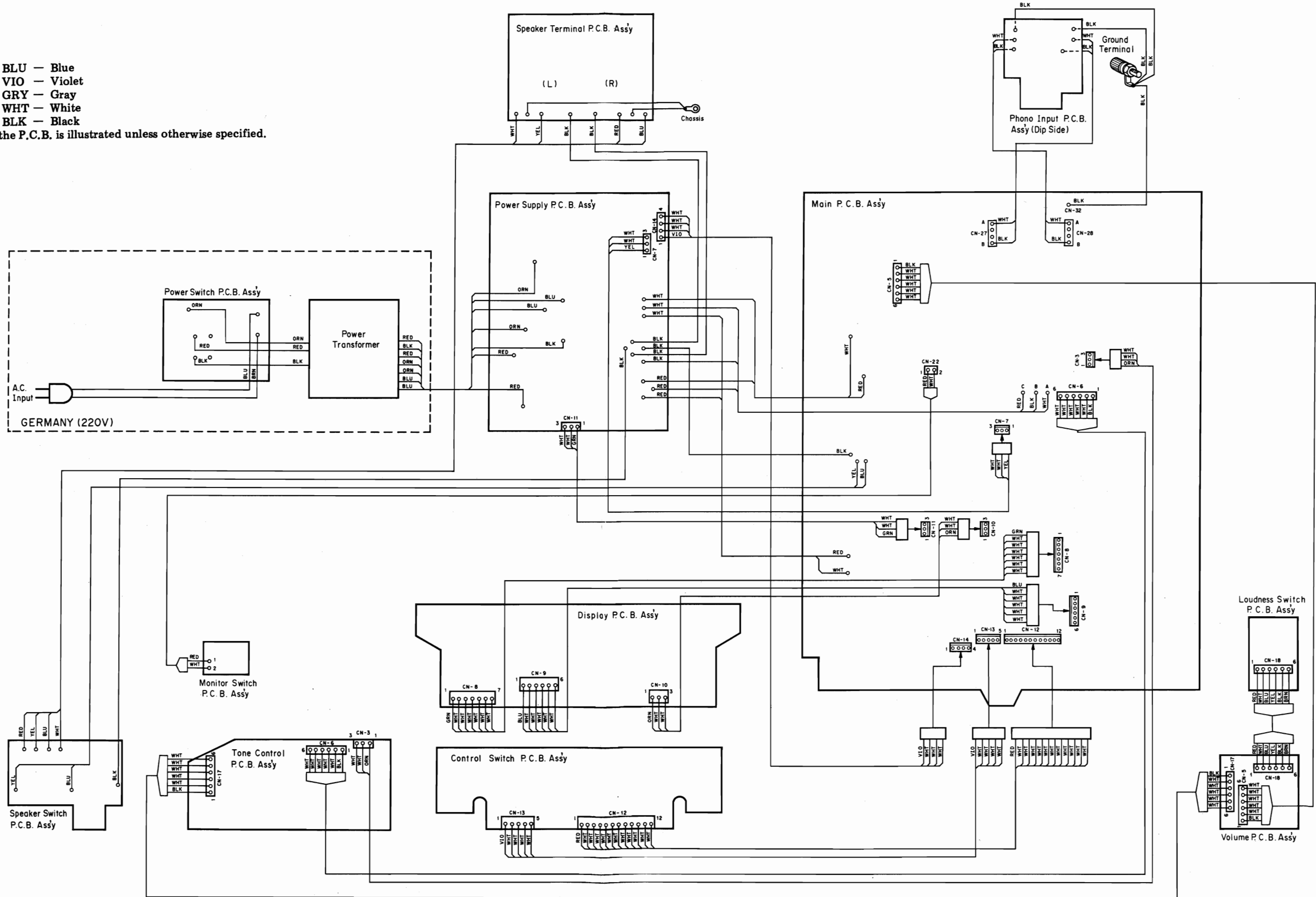


Fig. 7.2 For SR-2E (Germany)

## 8. BLOCK DIAGRAMS

### 8.1. Tuner Section

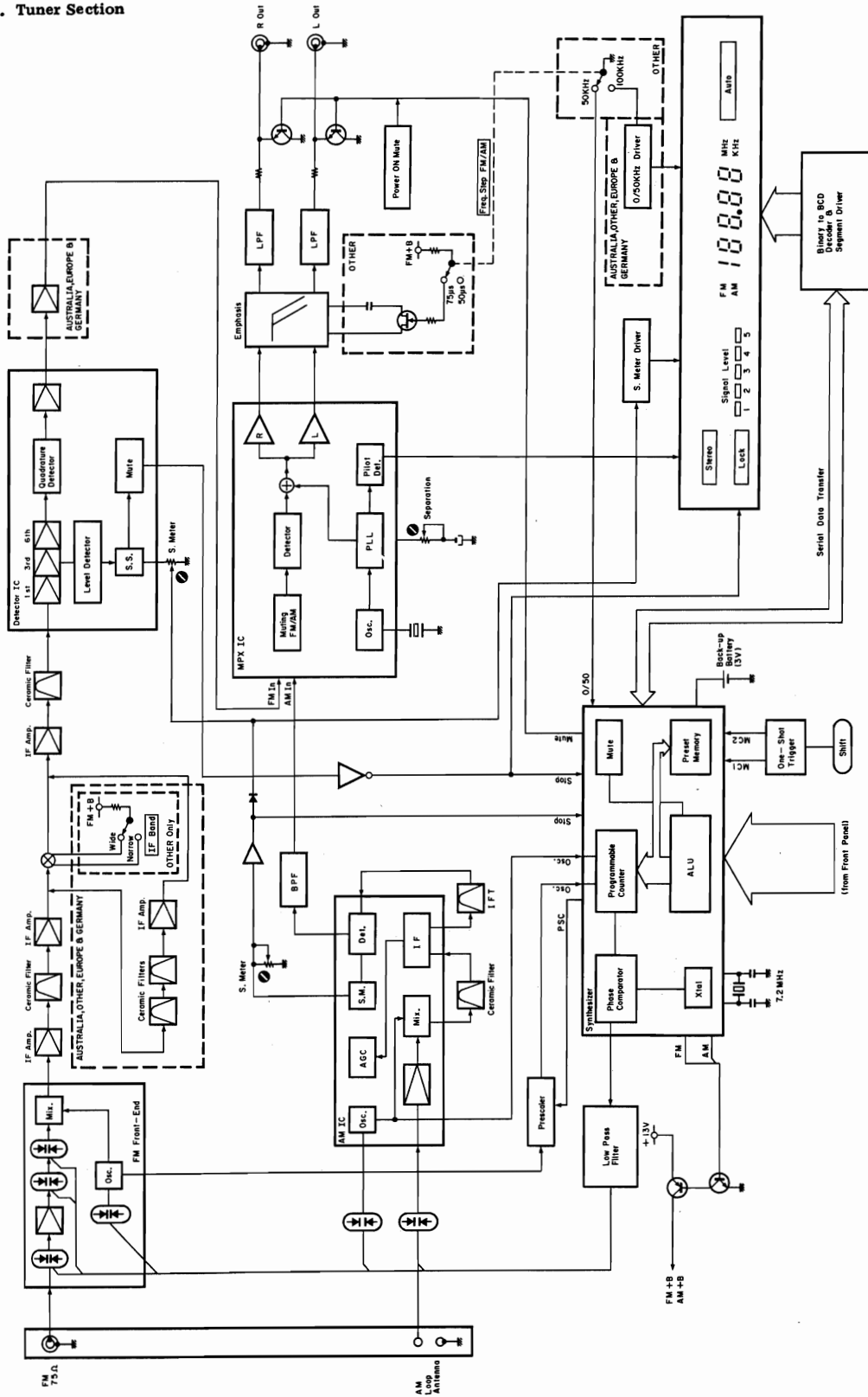


Fig. 8.1

### 8.2. Amplifier Section

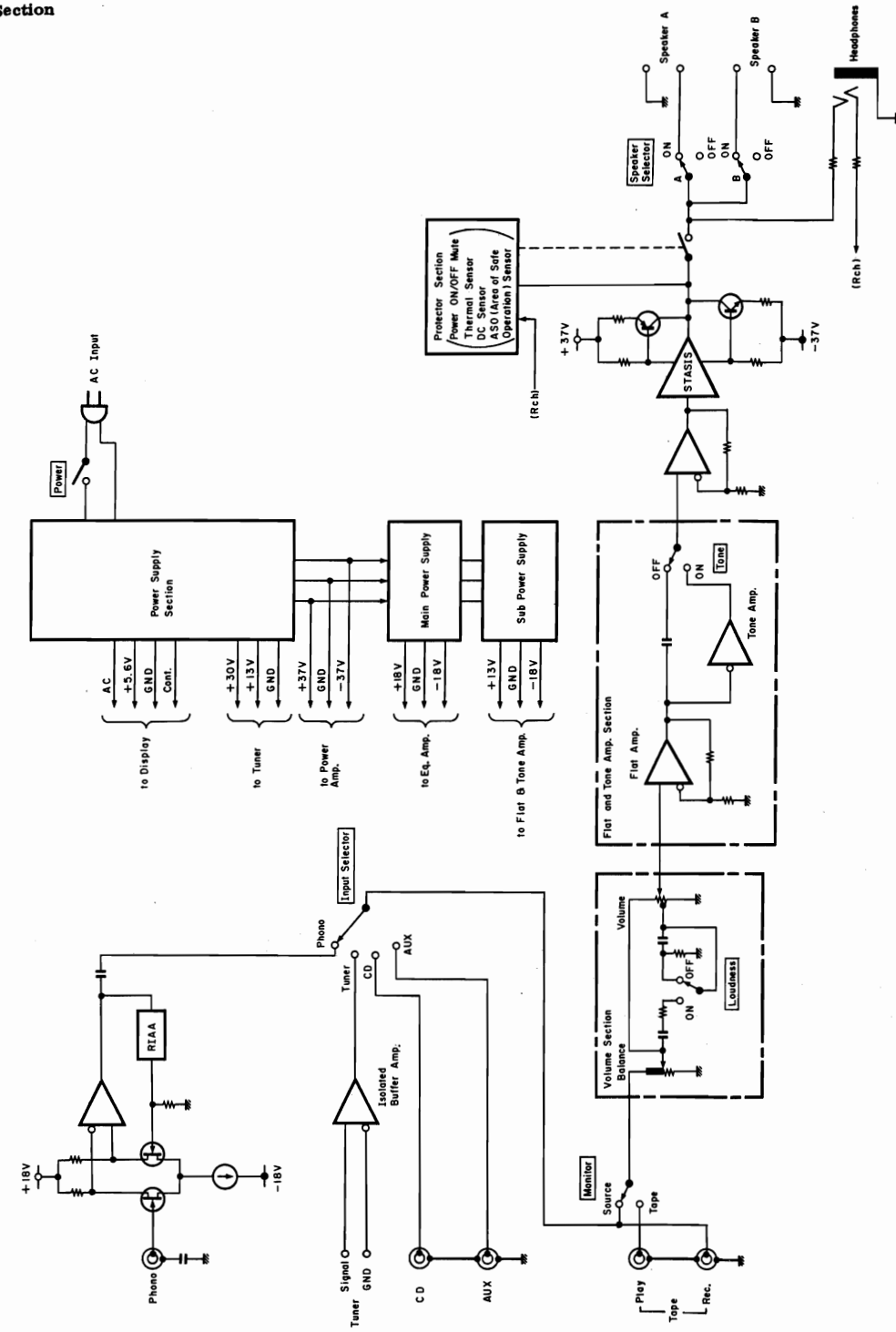


Fig. 8.2



## 9. SPECIFICATIONS

### 9.1. For SR-2 & SR-2A

#### Power Amplifier Section

Note: Unless otherwise noted specifications are in accordance with IHF-A-202 measured from any high-level input (CD/AUX/TAPE) to the speaker output.

Continuous Average Output Power . . . 30 watts per channel into 8 ohms, both channels driven, 20–20,000 Hz at no greater than 0.1% THD  
Dynamic Output Power . . . . . 45 watts per channel into 8 ohms  
55 watts per channel into 4 ohms  
Dynamic Head Room (8 ohms) . . . 1.7 dB  
Power Bandwidth . . . . . 5–40,000 Hz  
Frequency Response . . . . . 20–20,000 Hz; +0, –0.5 dB  
5–75,000 Hz; +0, –3 dB  
Signal to Noise Ratio . . . . . Better than 105 dB re Rated Power  
(A-WTD, Input Shorted) . . . . . Better than 85 dB (IHF-A-202)  
Total Harmonic Distortion . . . . . Less than 0.1%  
(8 ohms, Rated Power,  
20 Hz–20 kHz)  
Intermodulation Distortion . . . . . Less than 0.15%  
(8 ohms, Rated Power,  
60 Hz:7 kHz, 4:1)  
Headphone Rated Output . . . . . 70 mW  
(40 ohms)  
Output Current Capability . . . . . 14A peak per channel

#### Preamplifier Section

Note: Unless otherwise noted, specifications are in accordance with IHF-A-202. Except for Sensitivity, S/N, Tone and Loudness characteristics (which are measured to the speaker outputs), measurements are made from the specified input to Rec. Out.

#### Sensitivity: (for rated Output)

Phono MM . . . . . 2.5 mV  
CD/Tape . . . . . 200 mV

#### Sensitivity: (for 1-watt output per IHF-A-202)

Phono MM . . . . . 0.46 mV  
CD/Tape . . . . . 36.5 mV

#### Input Impedance

Phono MM . . . . . 47 kohms  
CD/Tape . . . . . 22 kohms

#### Maximum Input Level (1 kHz)

Phono MM . . . . . 140 mV  
Record Output Level/ . . . . . 200 mV/1 kohms

#### Impedance

#### Total Harmonic Distortion (1 kHz, to Rec Out, at 1 V)

Phono MM . . . . . Less than 0.002%

#### RIAA Deviation

Phono MM . . . . . 30–20,000 Hz ±0.5 dB

#### Signal to Noise Ratio (to speaker output per IHF-A-202)

Phono MM . . . . . Better than 80 dB

#### Tone Controls

Bass . . . . . 20 Hz, ±10 dB  
Treble . . . . . 20 kHz, ±10 dB

Loudness (Volume: –30 dB) . . . . . 20 Hz, +10 dB; 20 kHz, +6 dB

#### Tuner Section

(1) SR-2 (Canada & Other (see Note)) & SR-2A

Note: Selector switch settings for Other Model

Frequency Step FM/AM: 100 kHz/10 kHz, De-emphasis: 75  $\mu$ s,  
IF Band: Wide

#### [FM Section]

Note: All RF levels in microvolts given re 300-ohm antenna input. Modulation: Mono 100%, Stereo Pilot 9%, Stereo Audio Signal 91%. All measurements made at Rec. Out jack.

Frequency Range . . . . . 87.5–108.0 MHz in 100 kHz steps

IHF Usable Sensitivity . . . . . 11 dBf/1.9  $\mu$ V

(Mono)

#### 50-dB Quieting Sensitivity

Mono . . . . . 14.7 dBf/3.0  $\mu$ V

Stereo . . . . . 37.5 dBf/41.1  $\mu$ V

#### Signal to Noise Ratio at 65 dBf

Mono . . . . . Better than 79 dB

Stereo . . . . . Better than 74 dB

#### Muting Threshold . . . . . 30 dBf/17.3 $\mu$ V

Frequency Response . . . . . 20–15,000 Hz ±1 dB

#### Total Harmonic Distortion (1 kHz)

Mono . . . . . Less than 0.05%

Stereo . . . . . Less than 0.07%

#### Capture Ratio . . . . . 2.0 dB

Alternate Channel Selectivity . . . . . 55 dB (±400 kHz)

Stereo Separation at 100 Hz . . . . . Better than 46 dB

at 1 kHz . . . . . Better than 50 dB

at 10 kHz . . . . . Better than 46 dB

Spurious Response Rejection . . . . . Better than 90 dB

Image Rejection . . . . . Better than 75 dB

IF Rejection . . . . . Better than 80 dB

AM Suppression . . . . . Better than 60 dB

#### [AM Section]

Note: Modulation – 400 Hz, 30%

Frequency Range . . . . . 520–1,710 kHz in 10 kHz steps

Sensitivity . . . . . 53 dB $\mu$ /m

Signal to Noise Ratio at 90 . . . . . Better than 52 dB

dB $\mu$ /m

Total Harmonic Distortion . . . . . Less than 0.3%

at 90 dB $\mu$ /m

Selectivity . . . . . Better than 20 dB (±10 kHz)

**(2) SR-2 (Australia & Other (see Note))**

Note: Selector switch settings for Other Model  
Frequency Step FM/AM: 50 kHz/9 kHz, De-emphasis: 50  $\mu$ s,  
IF Band: Narrow

**[FM Section]**

Note: All RF levels in microvolts given re 300-ohm antenna input. Modulation: Mono 60%, Stereo Pilot 9%, Stereo Audio Signal 51%. All measurements made at Rec Out jack.

Frequency Range . . . . . 87.50—108.00 MHz in 50 kHz steps  
IHF Usable Sensitivity (Mono) . 11 dBf/1.9  $\mu$ V  
50-dB Quieting Sensitivity  
  Mono . . . . . 21.0 dBf/6.1  $\mu$ V  
  Stereo . . . . . 42.0 dBf/69.0  $\mu$ V  
Signal to Noise Ratio at 65 dBf  
  Mono . . . . . Better than 74 dB  
  Stereo . . . . . Better than 69 dB  
Muting Threshold . . . . . 30 dBf/17.3  $\mu$ V  
Frequency Response . . . . . 20—15,000 Hz  $\pm$ 1 dB  
Total Harmonic Distortion (1 kHz)  
  Mono . . . . . Less than 0.12% (for Australia), Less than 0.15% (for Other)  
  Stereo . . . . . Less than 0.20% (for Australia), Less than 0.25% (for Other)  
Capture Ratio . . . . . 2.0 dB  
Alternate Channel Selectivity . . 70 dB ( $\pm$ 300 kHz)  
Stereo Separation at 100 Hz . . . Better than 43 dB  
  at 1 kHz . . . . . Better than 43 dB  
  at 10 kHz . . . . . Better than 37 dB  
Spurious Response Rejection . . . Better than 90 dB  
Image Rejection . . . . . Better than 75 dB  
IF Rejection . . . . . Better than 80 dB  
AM Suppression . . . . . Better than 60 dB

**[AM Section]**

Note: Modulation: 400 Hz, 30%

Frequency Range . . . . . 522—1,611 kHz in 9 kHz steps  
Sensitivity . . . . . 53 dB $\mu$ /m  
Signal to Noise Ratio at 90 . . . . Better than 52 dB  
dB $\mu$ /m  
Total Harmonic Distortion . . . . . Less than 0.3%  
at 90 dB $\mu$ /m  
Selectivity . . . . . Better than 20 dB ( $\pm$ 9 kHz)

**General**

Power Source . . . . . 120, 240 or 110/120/220/240 V AC, 50/60 Hz (According to country of sale)  
Power Consumption . . . . . 190 watts max.  
Convenience Outlets . . . . . Switched: 2 (For U.S.A., Canada & Other only)  
Dimensions . . . . . 430 (W) x 100 (H) x 370 (D) mm  
  16-15/16 (W) x 3-15/16 (H) x 14-9/16 (D) inches  
Approximate Weight . . . . . 7.5 kg, 16 lbs. 9 oz.

## 9.2. For SR-2E (Europe & Germany)

### Power Amplifier Section

Note: Unless otherwise noted specifications are in accordance with IHF-A-202 measured from any high-level input (CD/AUX/TAPE) to the speaker output.

Continuous Average Output Power	30 watts per channel into 8 ohms, both channels driven, 20–20,000 Hz at no greater than 0.1% THD
Dynamic Output Power	45 watts per channel into 8 ohms 55 watts per channel into 4 ohms
Dynamic Head Room (8 ohms)	1.7 dB
Power Bandwidth	5–30,000 Hz
Frequency Response	20–20,000 Hz; +0, –1 dB 5–45,000 Hz; +0, –3 dB
Signal to Noise Ratio (A-WTD, Input Shorted)	Better than 105 dB re Rated Power Better than 85 dB (IHF-A-202)
Total Harmonic Distortion (8 ohms, Rated Power, 20 Hz–20 kHz)	Less than 0.1%
Intermodulation Distortion (8 ohms, Rated Power, 60 Hz:7 kHz, 4:1)	Less than 0.15%
Headphone Rated Output (40 ohms)	70 mW
Output Current Capability	14A peak per channel

### Preamplifier Section

Note: Unless otherwise noted, specifications are in accordance with IHF-A-202. Except for Sensitivity, S/N, Tone and Loudness characteristics (which are measured to the speaker outputs), measurements are made from the specified input to Rec. Out.

Sensitivity: (for rated Output)	
Phono MM	2.5 mV
CD/Tape	200 mV
Sensitivity: (for 1-watt output per IHF-A-202)	
Phono MM	0.46 mV
CD/Tape	36.5 mV
Input Impedance	
Phono MM	47 kohms
CD/Tape	20 kohms
Maximum Input Level (1 kHz)	
Phono MM	140 mV
Record Output Level/ Impedance	200 mV/1 kohms
Total Harmonic Distortion (1 kHz, to Rec Out, at 1 V)	
Phono MM	Less than 0.002%
RIAA Deviation	
Phono MM	30–20,000 Hz ±0.5 dB
Signal to Noise Ratio (to speaker output per IHF-A-202)	
Phono MM	Better than 78 dB
Tone Controls	
Bass	20 Hz, ±10 dB
Treble	20 kHz, ±10 dB
Loudness (Volume: –30 dB)	20 Hz, +10 dB; 20 kHz, +6 dB

### Tuner Section

#### [FM Section]

Note: All RF levels in microvolts given re 300-ohm antenna input. Modulation: Mono 60%, Stereo Pilot 9%, Stereo Audio Signal 51%. All measurements made at Rec Out jack.

Frequency Range	87.50–108.00 MHz in 50 kHz steps
IHF Usable Sensitivity (Mono)	11 dBf/1.9 $\mu$ V
50-dB Quieting Sensitivity	
Mono	23.0 dBf/7.7 $\mu$ V
Stereo	43.0 dBf/77.4 $\mu$ V

**Signal to Noise Ratio at 65 dBf**

Mono . . . . . Better than 72 dB  
Stereo . . . . . Better than 67 dB  
Muting Threshold . . . . . 30 dBf/17.3  $\mu$ V  
Frequency Response . . . . . 20–15,000 Hz  $\pm$ 1 dB  
Total Harmonic Distortion (1 kHz)  
Mono . . . . . Less than 0.20%  
Stereo . . . . . Less than 0.25%  
Capture Ratio . . . . . 2.0 dB  
Alternate Channel Selectivity . . 70 dB ( $\pm$ 300 kHz)  
Stereo Separation at 100 Hz . . . Better than 43 dB  
at 1 kHz . . . . . Better than 43 dB  
at 10 kHz . . . . . Better than 27 dB  
Spurious Response Rejection . . . Better than 90 dB  
Image Rejection . . . . . Better than 75 dB  
IF Rejection . . . . . Better than 80 dB  
AM Suppression . . . . . Better than 60 dB

**[AM Section]**

Note: Modulation: 400 Hz, 30%

Frequency Range . . . . . 522–1,611 kHz in 9 kHz steps  
Sensitivity . . . . . 53 dB $\mu$ /m  
Signal to Noise Ratio at 90 . . . . Better than 52 dB  
dB $\mu$ /m  
Total Harmonic Distortion . . . . . Less than 0.3%  
at 90 dB $\mu$ /m  
Selectivity . . . . . Better than 20 dB ( $\pm$ 9 kHz)

**General**

Power Source . . . . . 220 V AC, 50/60 Hz  
Power Consumption . . . . . 190 watts max.  
Dimensions . . . . . 430 (W) x 100 (H) x 370 (D) mm  
16-15/16 (W) x 3-15/16 (H) x 14-9/16 (D) inches  
Approximate Weight . . . . . 7.5 kg, 16 lbs. 9 oz.

- Specifications and design are subject to change for further improvement without notice.
- STASIS manufactured under license from Threshold Corporation.
- STASIS is a trademark of Threshold Corporation.

Service Manual

# Nakamichi SR-2, SR-2A, SR-2E

Nakamichi Corporation/Tokyo Office  
Nakamichi America Corporation  
Nakamichi Canada  
Nakamichi GmbH

Shinjuku Daiichi Seimei Bldg., 2-7-1 Nishishinjuku, Shinjuku-ku, Tokyo 163 Phone: (03) 342-4461 Telex: 23247:1 (NAKAM J)  
19701 South Vermont Ave., Torrance, CA 90502 Phone: (213) 538-8150  
276 South West, Marine Drive, Vancouver, B.C. V5X 2R4 Phone: (604) 324-7535  
Stephanienstrasse 6, 4000 Düsseldorf 1 Phone: (0211) 359036