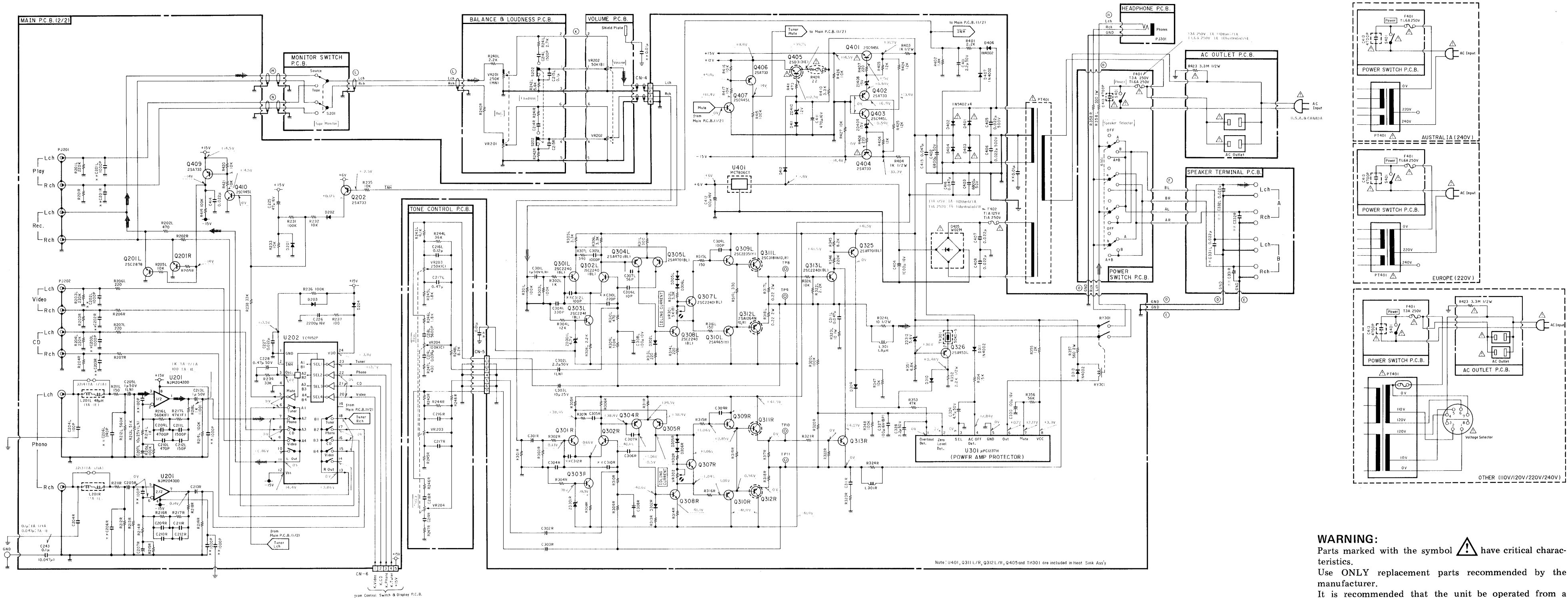



7.2.2. Amplifier Section

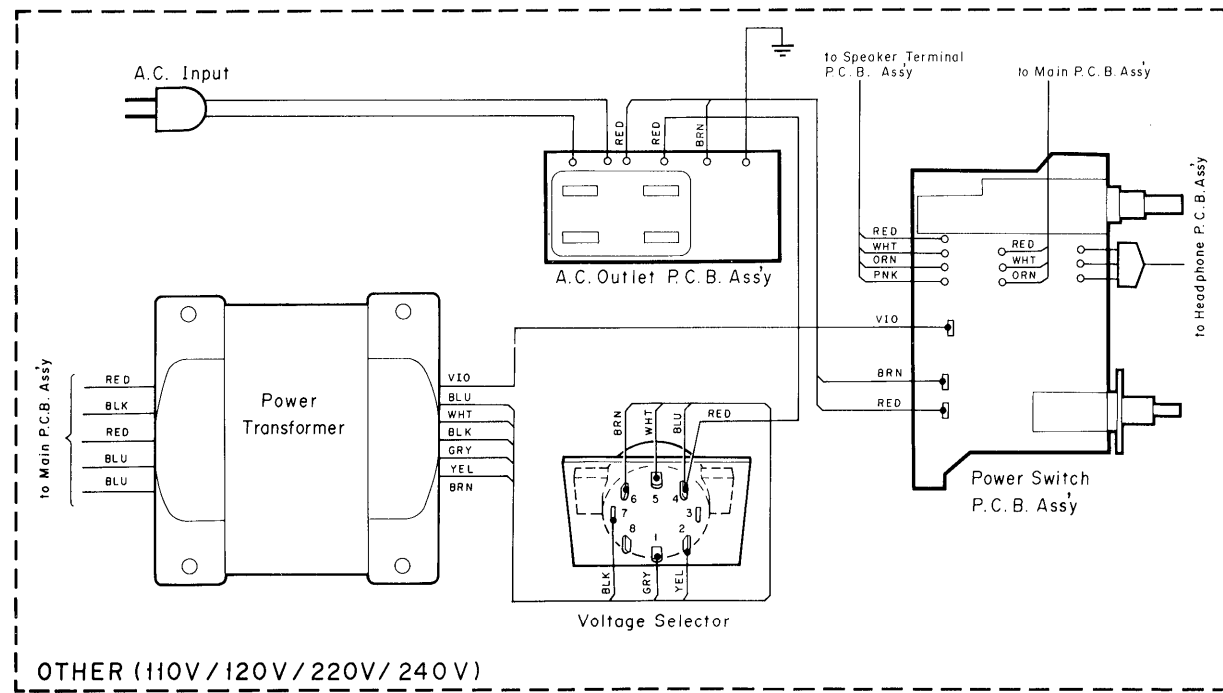
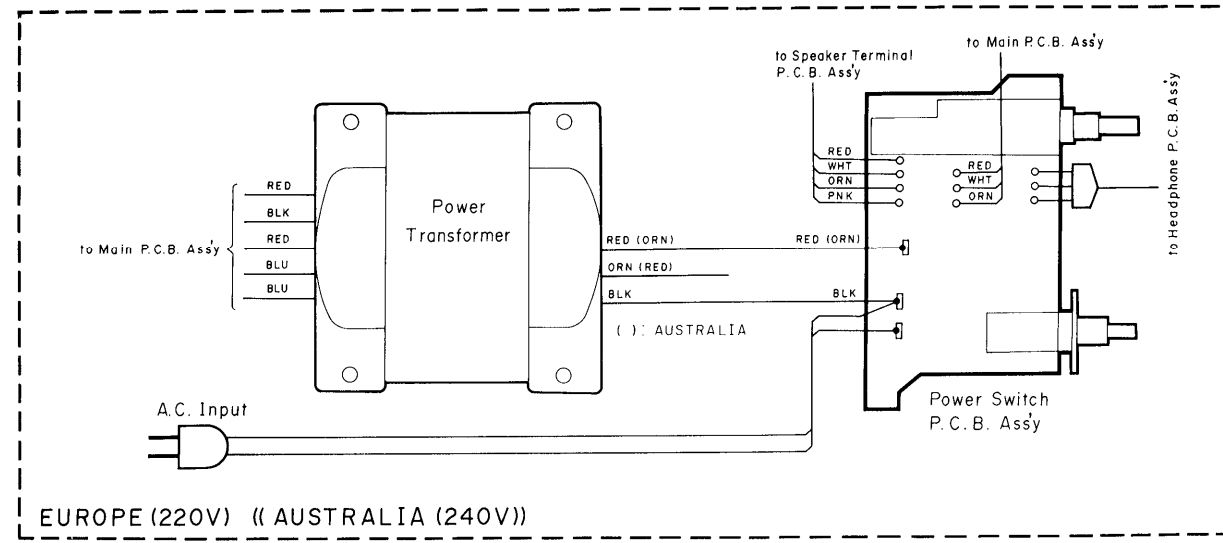


Note: U401, Q311 L/R, Q312 L/R, Q405 and TH301 are included in Heat Sink Assy

Fig. 7.2.2.

**WARNING:**  
Parts marked with the symbol  have critical characteristics. Use ONLY replacement parts recommended by the manufacturer. It is recommended that the unit be operated from a suitable DC supply or batteries during initial check-out procedures.

8. WIRING DIAGRAM



- Notes: 1. Table of wire colors  
 BRN — Brown      BLU — Blue  
 RED — Red        VIO — Violet  
 ORN — Orange    GRY — Gray  
 YEL — Yellow     WHT — White  
 GRN — Green     BLK — Black
2. Component side view of the P.C.B. is illustrated unless otherwise specified.
3. Wire tube color is shown in ( ).

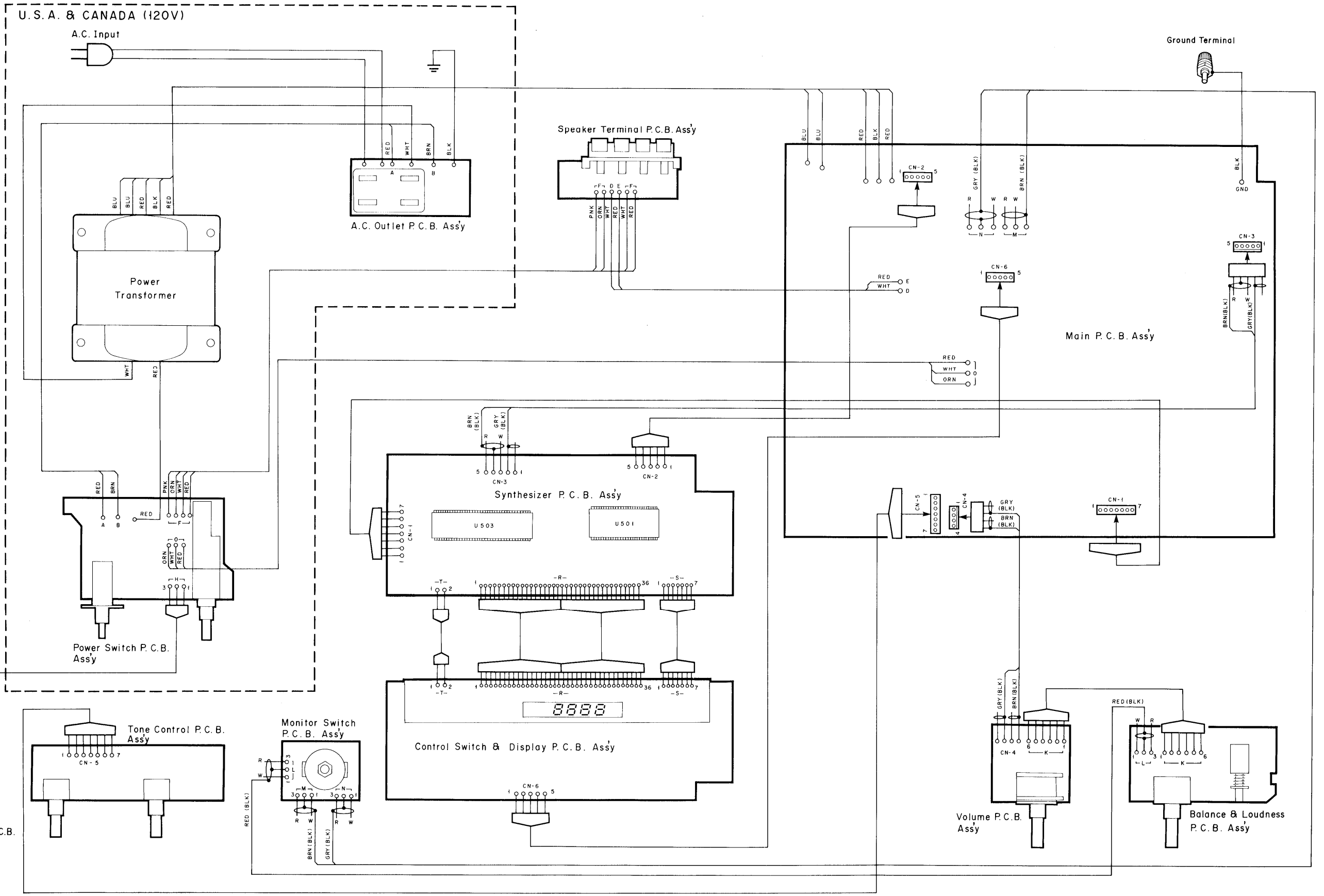


Fig. 8

7. SCHEMATIC DIAGRAMS

Schematic Ref. No.	Part No.	Description	Schematic Ref. No.	Part No.	Description	Schematic Ref. No.	Part No.	Description	Schematic Ref. No.	Part No.	Description	Schematic Ref. No.	Part No.	Description		
T101	OB51271A	AM IFT Coil	R143	OB09689A	RK 3.3K 1/6W J	R415	OB09725A	RK 100K 1/6W J	C209L,R	OB05652A	CML 4700P 50V J		OB81931A	Antenna Terminal (TA-1 & TA-1A) (1)		
T102	OB51272A	FM DET (A) Coil			R416,417	OB09701A	RK 10K 1/6W J	C210L,R	OB09270A	CP 470P 100V J		OB81979A	Antenna Terminal (TA-1E) (1)			
T103	OB51273A	FM DET (B) Coil			R419	OB09725A	RK 100K 1/6W J	C211L,R	OB05653A	CML 1500P 50V J		OB83362A	Lead Wire BLK 180mm (1)			
L101	OB51269A	AM ANT Coil	R144,145	OB09717A	RK 47K 1/6W J	R420,421	OB09701A	RK 10K 1/6W J	C212L,R	OB41895A	CSP 150P 50V J		OB83482A	Terminal Pin (L) (TA-1E) (4)		
L102	OB51270A	AM OSC Coil	R146	OB20513A	RK 56K 1/2W J	R424,425	OB09263A	RK 12K 1/4W J	C213L,R	OB01405A	CE 1μ 50V		OM04191A	Fuse Label T1A 250V (TA-1E) (1)		
L103L,R	OB51276A	Inductor 39mH K	R148L,R	OB09709A	RK 22K 1/6W J	R426,427	OB01888A	RK 10K 1/4W J	C225	OB01403A	CE 47μ 16V					
L104	OB51274A	P. Coil 22μH K-P (TA-1 & TA-1E)	R149L,R	OB09701A	RK 10K 1/6W J		OB42010A	C Trimmer 10P	C226	OB40083A	CE 2200μ 16V					
L105,106	OB51274A	P. Coil 22μH K-P (TA-1 & TA-1E)	R150L,R	OB09717A	RK 47K 1/6W J		OB09291A	CC 0.022μ 50V Z	C227	OB09291A	CC 0.022μ 50V Z					
L107	OB51274A	P. Coil 22μH K-P (TA-1 & TA-1E)	R151L,R	OB09689A	RK 3.3K 1/6W J		C104	OB09379A	CC 560P 50V K	C228	OB40111A	CE 0.47μ 50V				
L108	OB51274A	P. Coil 22μH K-P (TA-1 & TA-1E)	R152L,R	OB09725A	RK 100K 1/6W J (TA-1 (Other))		C105	OB09291A	CC 0.022μ 50V Z	C243	OB01603A	CML 0.1μ 50V K (TA-1 & TA-1A)				
L201L,R	OB51266A	Audio Coil 48μH (TA-1E)	R153L,R	OB09689A	RK 3.3K 1/6W J		C106	OB41896A	CC 22P 50V J		OB09387A	CC 0.047μ 50V Z (TA-1E)				
L301L,R	OB51275A	Audio Coil 1.8μH	R154L,R	OB09683A	RK 1.8K 1/6W J		C107	OB09276A	CC 5P 50V C							
VR102	OB32128A	Semi VR 20K	R156	OB09717A	RK 47K 1/6W J (TA-1 (Australia) & TA-1E)		C108	OB09291A	CC 0.022μ 50V Z							
VR104	OB32126A	Semi VR 5K	R162	OB09677A	RK 1K 1/6W J		C109	OB09291A	CC 0.022μ 50V Z							
VR105	OB32132A	Semi VR 500K	R163	OB09705A	RK 15K 1/6W J		C110	OB01674A	CE 10μ 25V							
VR106	OB32141A	Semi VR 250K (TA-1 (Other))	R201L,R	OB09733A	RK 220K 1/6W J		C111	OB09290A	CC 0.01μ 50V Z							
VR301,302	OB32126A	Semi VR 5K	R202L,R	OB09669A	RK 470 1/6W J		C112	OB09387A	CC 0.047μ 50V Z							
R101	OB09701A	RK 10K 1/6W J	R203L,R	OB09733A	RK 220K 1/6W J		C113	OB01403A	CC 47μ 16V							
R102	OB09717A	RK 47K 1/6W J	R204L,R	OB09733A	RK 220K 1/6W J		C114	OB09387A	CC 0.047μ 50V Z							
R103	OB09689A	RK 470 1/6W J	R205L,R	OB09701A	RK 10K 1/6W J		C115	OB41880A	CC 82P 50V J							
R104	OB09677A	RK 1K 1/6W J	R206L,R	OB09661A	RK 220 1/6W J		C116	OB40029A	CE 4.7μ 50V							
R105	OB09725A	RK 100K 1/6W J (TA-1E)	R207L,R	OB09661A	RK 220 1/6W J		C117	OB01863A	CE 3.3μ 50V							
R106	OB09721A	RK 68K 1/6W J (TA-1E)	R208L,R	OB09657A	RK 150 1/6W J		C118	OB01674A	CE 10μ 25V							
R107	OB09727A	RK 120K 1/6W J (TA-1E)	R209L,R	OB09743A	RK 560K 1/6W J		C119	OB09291A	CC 0.022μ 50V Z							
R108	OB09637A	RK 22 1/6W J	R210L,R	OB09718A	RK 51K 1/6W J		C120	OB09290A	CC 0.01μ 50V Z							
R109	OB09695A	RK 5.6K 1/6W J	R211L,R	OB09718A	RK 51K 1/6W J		C121	OB01780A	CML 0.1μ 50V J (TA-1 (Australia) & TA-1E)							
R110	OB09701A	RK 10K 1/6W J	R212L,R	OB09718A	RK 51K 1/6W J											
R111	OB09701A	RK 10K 1/6W J	R213L,R	OB09677A	RK 1K 1/6W J											
R112	OB09687A	RK 2.7K 1/6W J	R214L,R	OB09725A	RK 100K 1/6W J											
R113	OB09637A	RK 22 1/6W J	R215L,R	OB09725A	RK 100K 1/6W J											
R114	OB09667A	RK 390 1/6W J	R216L,R	OB22542A	RM 560K 1/6W F											
R115	OB09699A	RK 8.2K 1/6W J	R217L,R	OB22419A	RM 47.0K 1/6W F											
R116	OB09665A	RK 330 1/6W J	R218L,R	OB09677A	RK 1K 1/6W J											
R117	OB09677A	RK 1K 1/6W J														
R118	OB09665A	RK 330 1/6W J														
R119,120	OB09693A	RK 4.7K 1/6W J (TA-1 (Other))														
R121	OB09693A	RK 4.7K 1/6W J (TA-1 & TA-1E)														
R122	OB09665A	RK 330 1/6W J (TA-1 & TA-1E)														
R123	OB09689A	RK 3.3K 1/6W J (TA-1 & TA-1E)														
R124	OB09699A	RK 8.2K 1/6W J (TA-1 & TA-1E)														
R125	OB09671A	RK 560 1/6W J (TA-1 & TA-1E)														
R126	OB09647A	RK 56 1/6W J (TA-1 & TA-1E)														
R127	OB09677A	RK 1K 1/6W J (TA-1 & TA-1E)														
R128	OB09693A	RK 4.7K 1/6W J (TA-1 (Other))														
R129	OB09689A	RK 3.3K 1/6W J (TA-1 (Other))														
R130	OB09677A	RK 1K 1/6W J														
R131	OB09721A	RK 68K 1/6W J														
R132,133	OB09701A	RK 10K 1/6W J														
R134	OB09689A	RK 3.3K 1/6W J														
R135	OB09709A	RK 22K 1/6W J (TA-1 (Australia) & TA-1E)														
R136	OB09695A	RK 5.6K 1/6W J (TA-1 (Other) & TA-1A)														
R137	OB09713A	RK 33K 1/6W J (TA-1 & TA-1E)														
R138	OB09701A	RK 10K 1/6W J														
R139	OB09689A	RK 3.3K 1/6W J														
R140	OB09651A	RK 82 1/6W J														
R141	OB09745A	RK 680K 1/6W J (TA-1 (Australia) & TA-1E)														
R142	OB09697A	RK 6.8K 1/6W J (TA-1 (Australia) & TA-1E)														

7.1. IC Block Diagrams

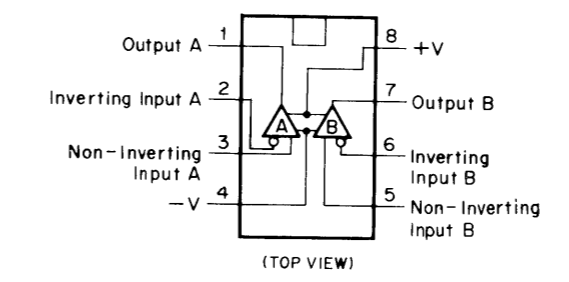


Fig. 7.1.1 Operational Amp. IC NJM2043DD

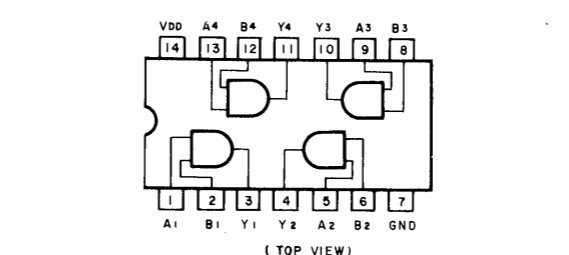


Fig. 7.1.2 AND Gate C-MOS IC μPD4081BC

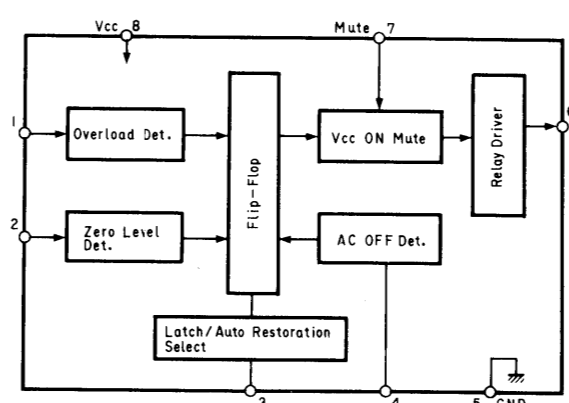


Fig. 7.1.3 Power Amp. Protector IC μPC1237H

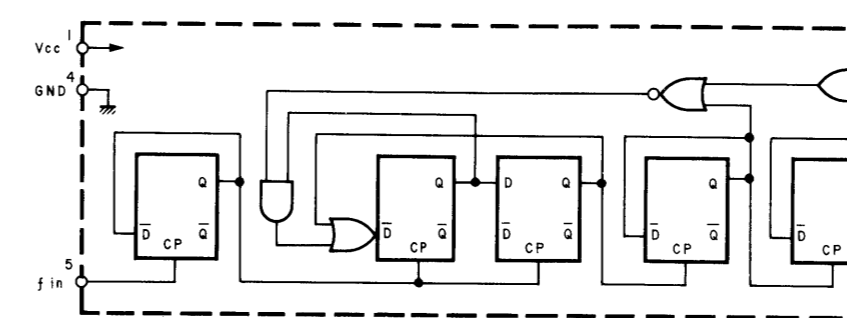


Fig. 7.1.4 ECL Prescaler (FM) IC TD6104P

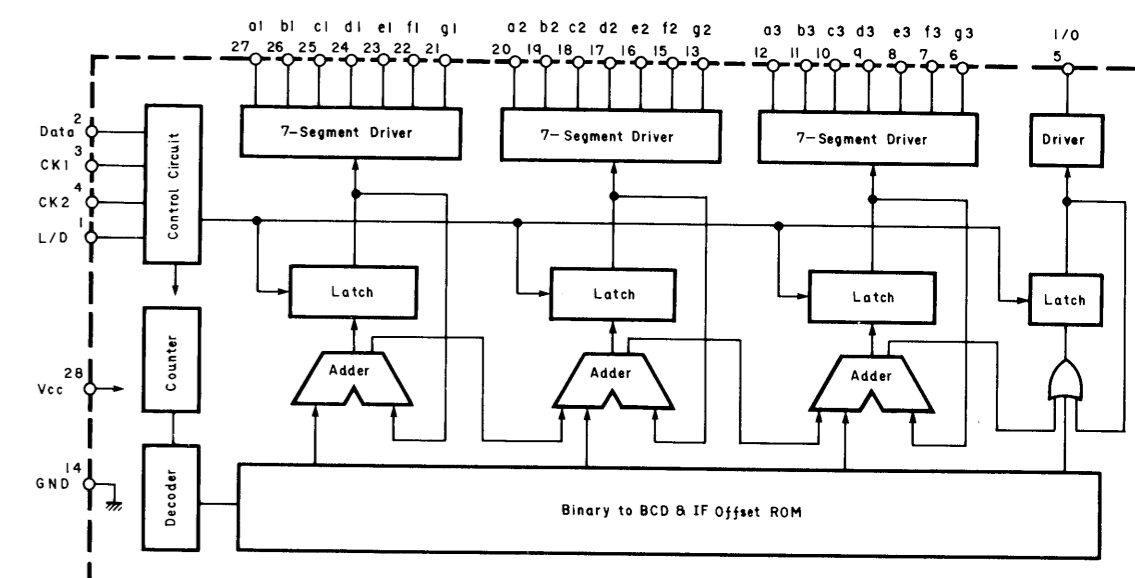


Fig. 7.1.5 Display Driver TD6301AP

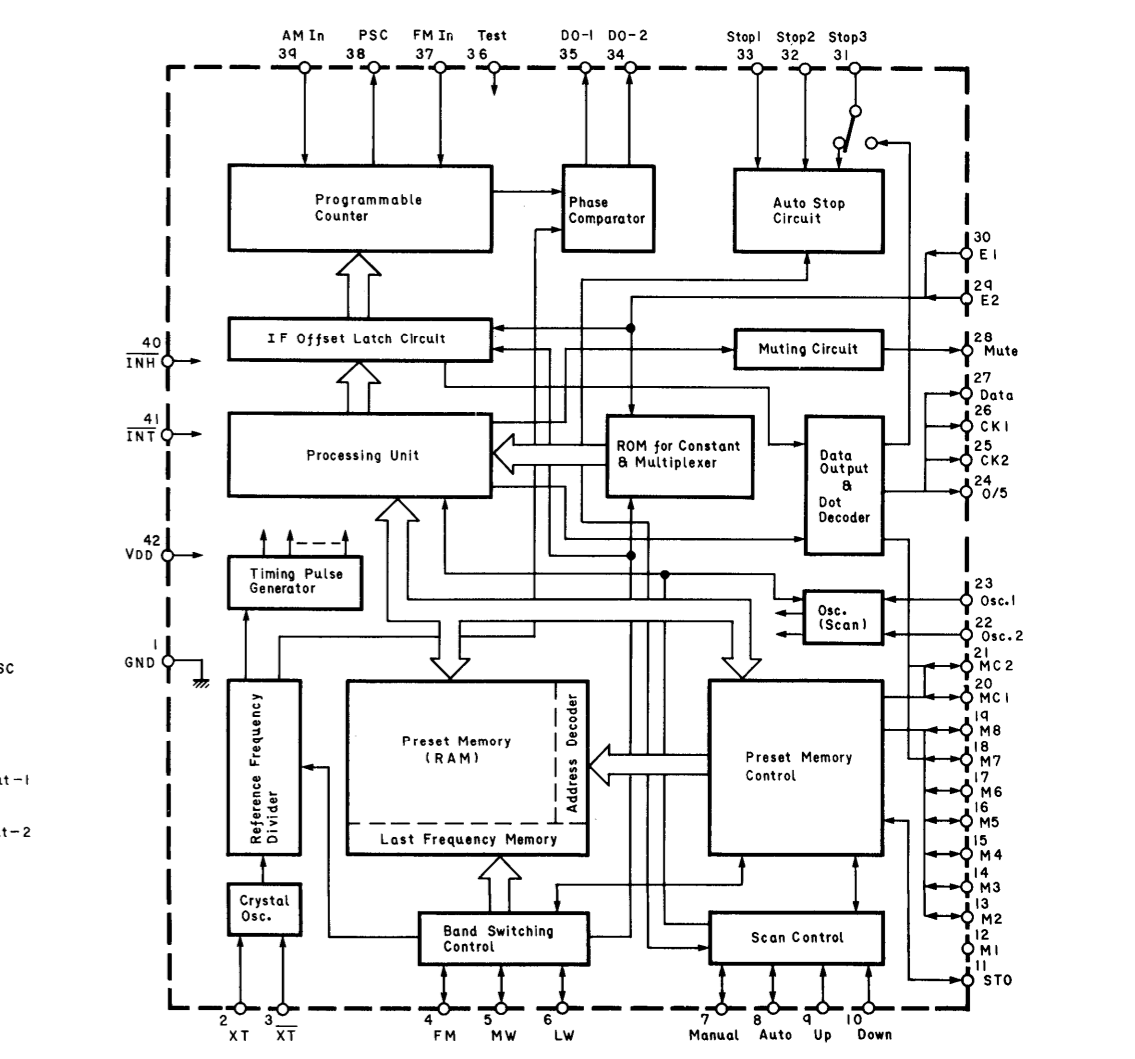
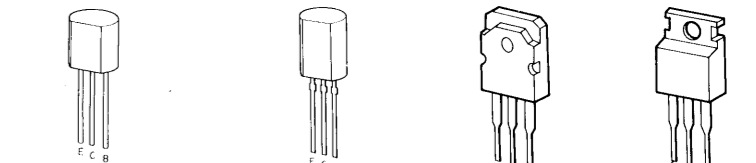
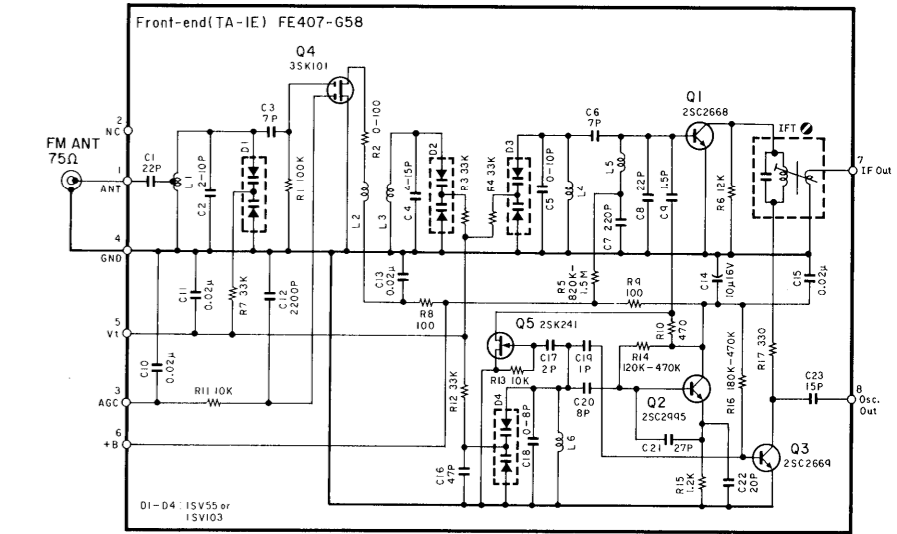
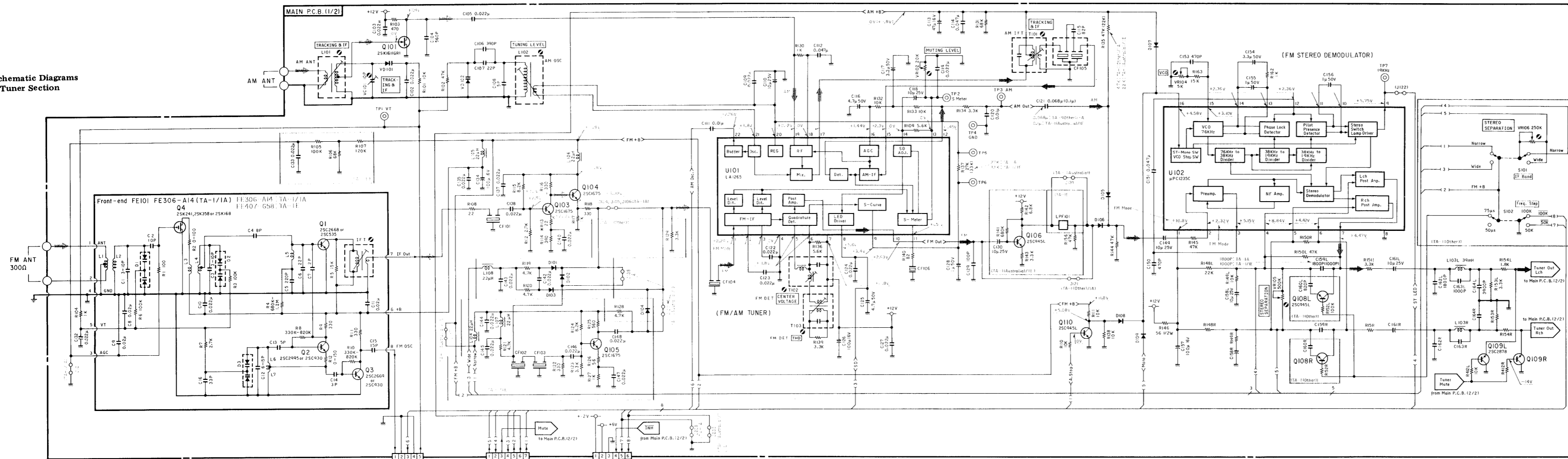


Fig. 7.1.6 PLL Synthesizer IC TC9147BP

7.2. Schematic Diagrams  
7.2.1. Tuner Section



- 2SA733
- 2SA952
- 2SA953
- 2SA970
- 2SC945
- 2SC1675
- 2SC2240
- 2SC2878

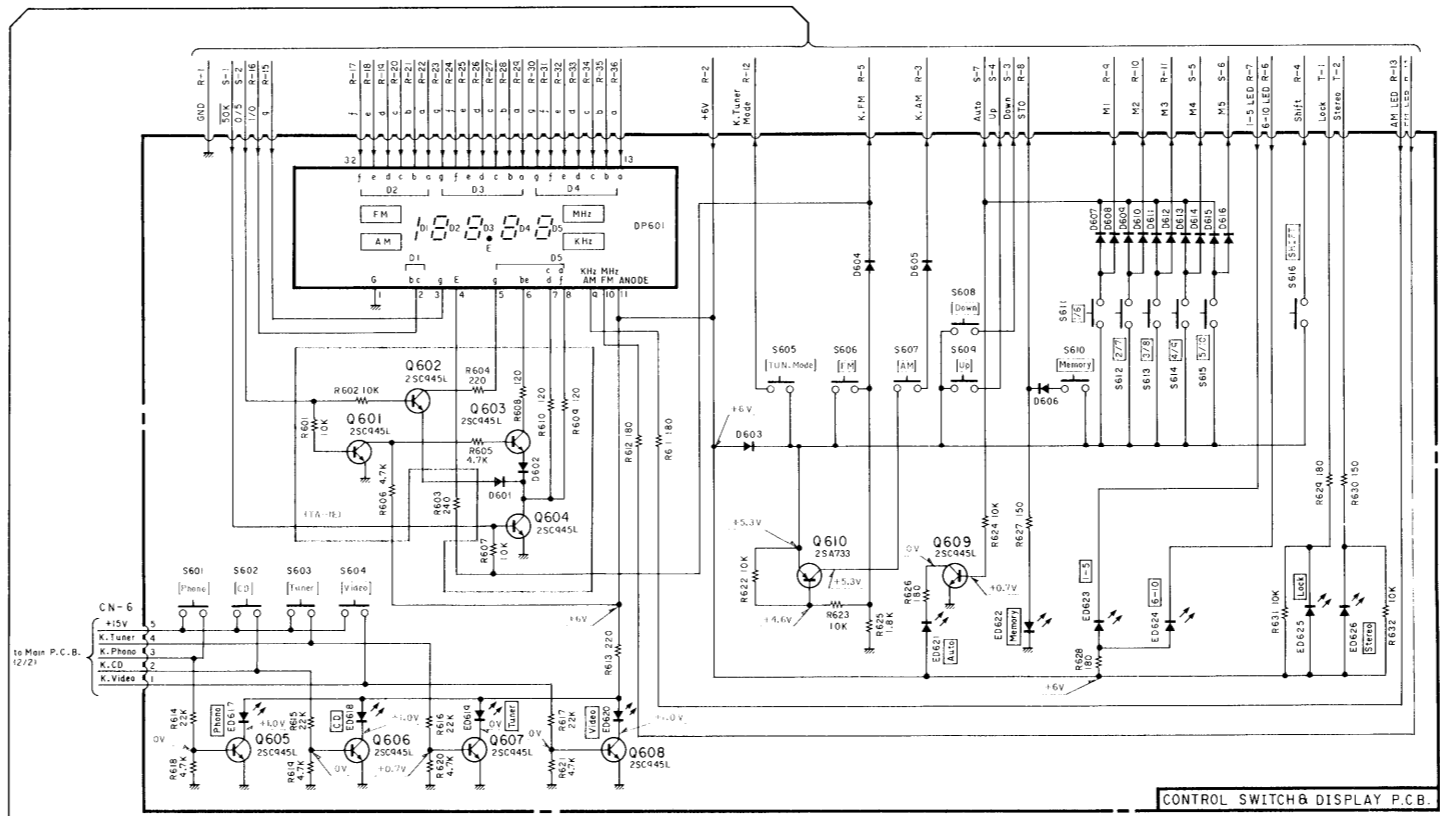
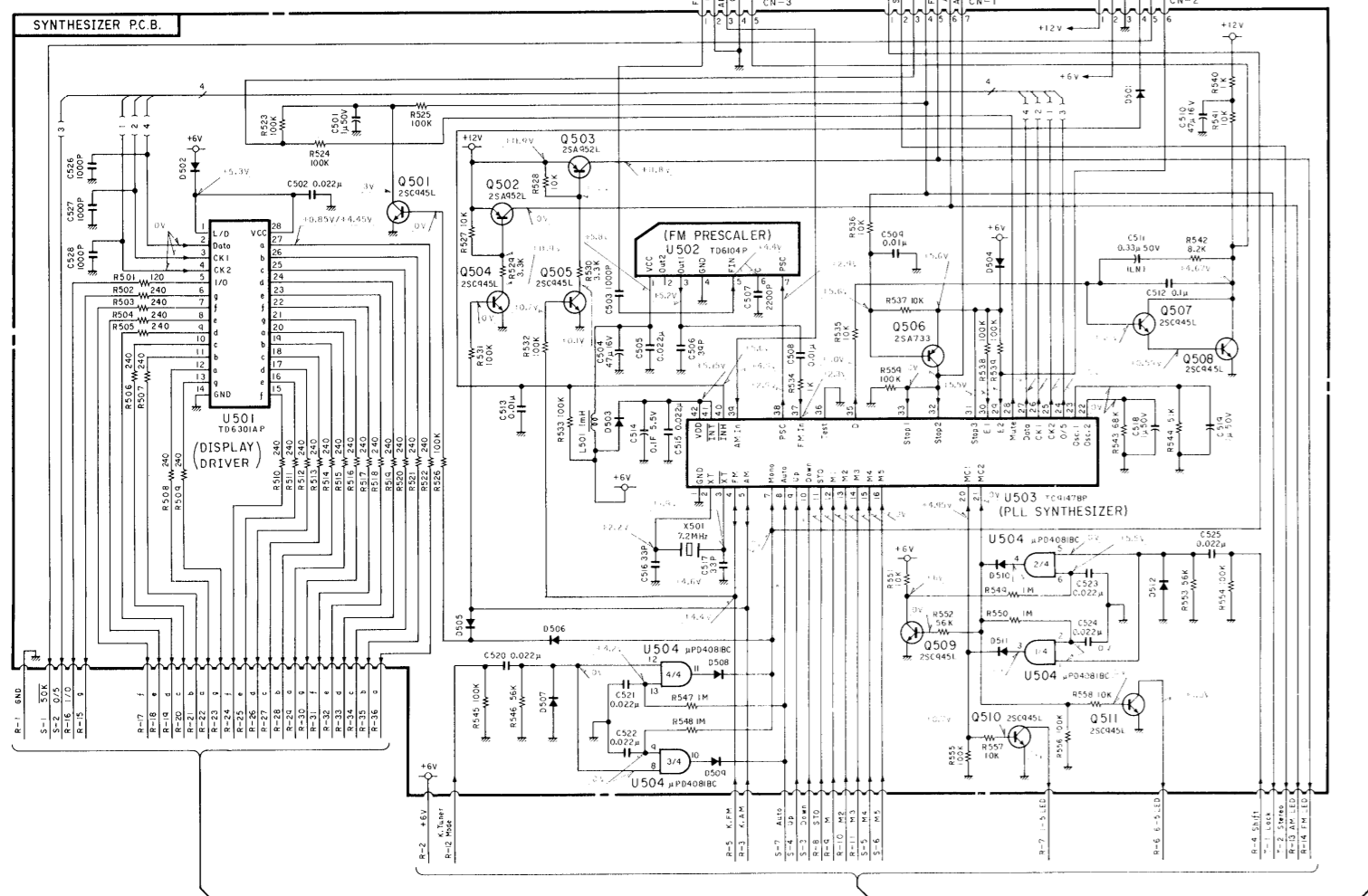


Fig. 7.2.1

- Notes:
1. Diode is 1N4148 unless otherwise specified.
  2. 2SA733, 2SA608SP, 2SA1048 and 2SA1175 are interchangeable with each other.
  3. 2SC945, 2SC536SP, 2SC2458 and 2SC2785 are interchangeable with each other.
  4. Parts marked with \*\* indicate those for TA-1E.
  5. Voltage measuring conditions
    - With no input signal applied to the input terminals.
    - With no lead connected to the speaker terminals.