

NEC

Authentic series

MODEL A230E (SE/SC/SS)

STEREO AMPLIFIER SERVICE MANUAL

SER. NO. 4045



Better Service
Better Reputation
Better Profit



SPECIFICATIONS

ELECTRICAL PERFORMANCE	NOMINAL VALUE
Continuous Output Power (both channels driven)	
20Hz - 20kHz	25W RMS x 2 (8 ohms)
1kHz	30W RMS x 2 (8 ohms)
Total Harmonic Distortion	
Rated Power at 20Hz - 20kHz	0.05%
12.5W Power at 20Hz - 20kHz	0.03%
1W Power at 20Hz - 20kHz	0.05%
Intermodulation Distortion	
Rated Power at 70Hz:7kHz = 4:1	0.05%
12.5W Power at 70Hz:7kHz = 4:1	0.03%
1W Power at 70Hz:7kHz = 4:1	0.05%
Power Bandwidth	
(IHF both channels driven at 8 ohms)	10Hz - 40kHz
Recommended Speaker Impedance	
Speakers A & B Terminal	8 - 16 ohms
Speakers A + B Terminal	8 - 16 ohms
Headphone Jack	4 - 16 ohms
Input Sensitivity/Impedance	
PHONO	2.5mV/47k ohms
TUNER/AUX/TAPE-1/TAPE-2	150mV/47k ohms
MIC	1.6mV/10k ohms
PHONO Overload	140mV max.
TAPE-1 & TAPE-2 Output Level	140mV

Frequency Response

PHONO	20Hz - 20kHz ± 0.5dB
TUNER/AUX/TAPE-1/TAPE-2	10Hz - 50kHz +0.5dB, -2dB
Signal to Noise Ratio	(IHF A-network, short circuit)
PHONO	75dB
TUNER/AUX/TAPE-1/TAPE-2	100dB
Tone Control Response	
BASS	±10dB at 100Hz
TREBLE	±10dB at 10kHz
Loudness Control Response	(at -40dB volume control setting)
100Hz	+6dB
10kHz	+3dB

OTHER SPECIFICATIONS:

Power Supply & Service Outlet	
TYPE	SC SS SE
Voltage (V AC)	120 220 110/120/220/240
Hertz (Hz)	60 50 50/60
Dimensions	430W x 100H x 210D (mm)
Weight	Approximately 4.8 kg

NOTE: The above specifications are subject to change without notice for further improvement.

Nippon Electric Co., Ltd.

TOKYO, JAPAN

NEC

Authentic series

MODEL A230E (SE/SC/SS)

STEREO AMPLIFIER SERVICE MANUAL

SER. NO. 4045



Better Service
Better Reputation
Better Profit



SPECIFICATIONS

ELECTRICAL PERFORMANCE NOMINAL VALUE

Continuous Output Power (both channels driven)	
20Hz - 20kHz	25W RMS x 2 (8 ohms)
1kHz	30W RMS x 2 (8 ohms)
Total Harmonic Distortion	
Rated Power at 20Hz - 20kHz	0.05%
12.5W Power at 20Hz - 20kHz	0.03%
1W Power at 20Hz - 20kHz	0.05%
Intermodulation Distortion	
Rated Power at 70Hz:7kHz = 4:1	0.05%
12.5W Power at 70Hz:7kHz = 4:1	0.03%
1W Power at 70Hz:7kHz = 4:1	0.05%
Power Bandwidth	
(IHF both channels driven at 8 ohms)	10Hz - 40kHz
Recommended Speaker Impedance	
Speakers A & B Terminal	8 - 16 ohms
Speakers A + B Terminal	8 - 16 ohms
Headphone Jack	4 - 16 ohms
Input Sensitivity/Impedance	
PHONO	2.5mV/47k ohms
TUNER/AUX/TAPE-1/TAPE-2	150mV/47k ohms
MIC	1.6mV/10k ohms
PHONO Overload	140mV max.
TAPE-1 & TAPE-2 Output Level	140mV

Frequency Response

PHONO	20Hz - 20kHz ± 0.5dB
TUNER/AUX/TAPE-1/TAPE-2	10Hz - 50kHz +0.5dB, -2dB
Signal to Noise Ratio (IHF A-network, short circuit)	
PHONO	75dB
TUNER/AUX/TAPE-1/TAPE-2	100dB
Tone Control Response	
BASS	±10dB at 100Hz
TREBLE	±10dB at 10kHz
Loudness Control Response (at -40dB volume control setting)	
100Hz	+6dB
10kHz	+3dB

OTHER SPECIFICATIONS:

Power Supply & Service Outlet

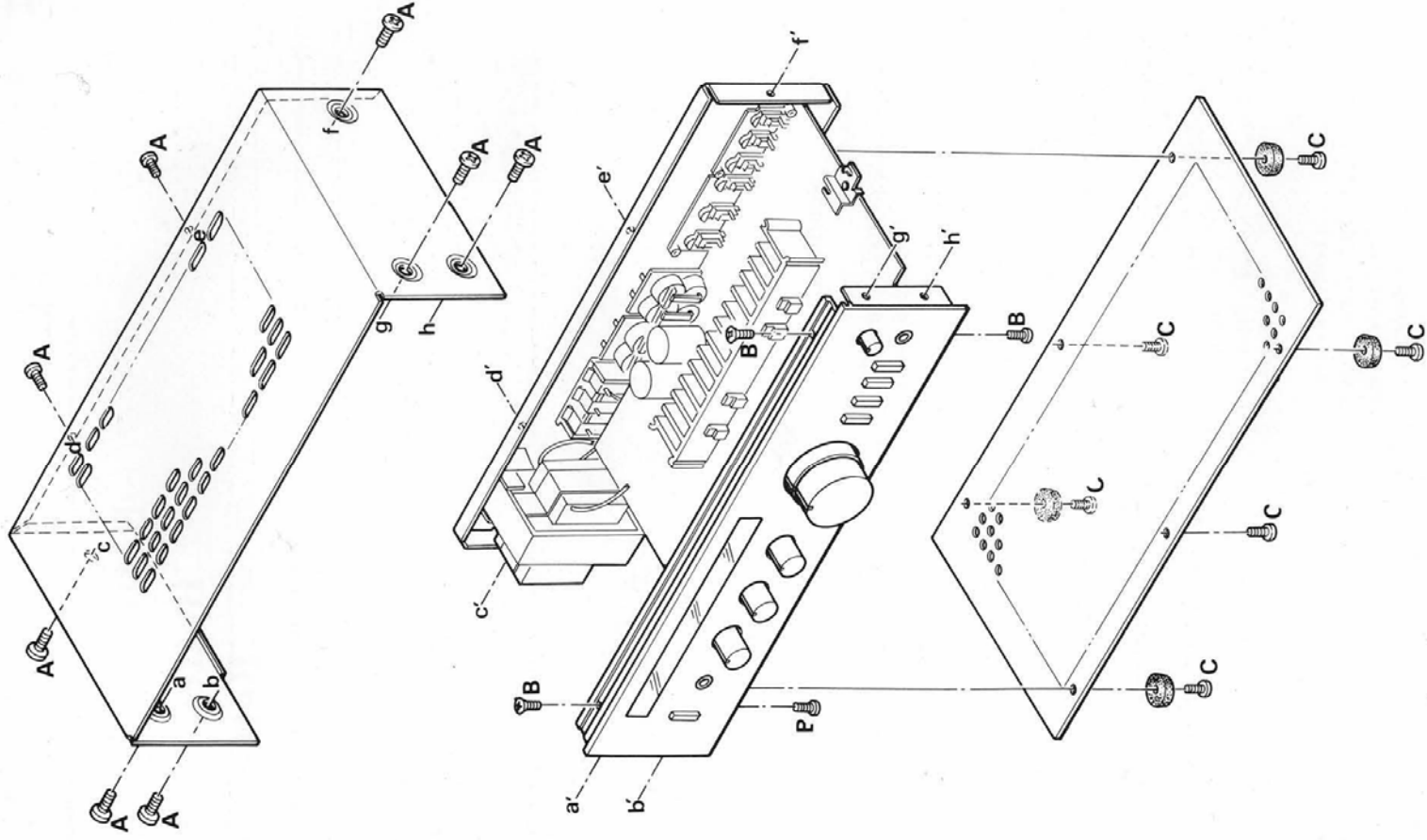
TYPE	SC	SS	SE
Voltage (V AC)	120	220	110/120/220/240
Hertz (Hz)	60	50	50/60
Dimensions	430W x 100H x 210D (mm)		
Weight	Approximately 4.8 kg		

NOTE: The above specifications are subject to change without notice for further improvement.

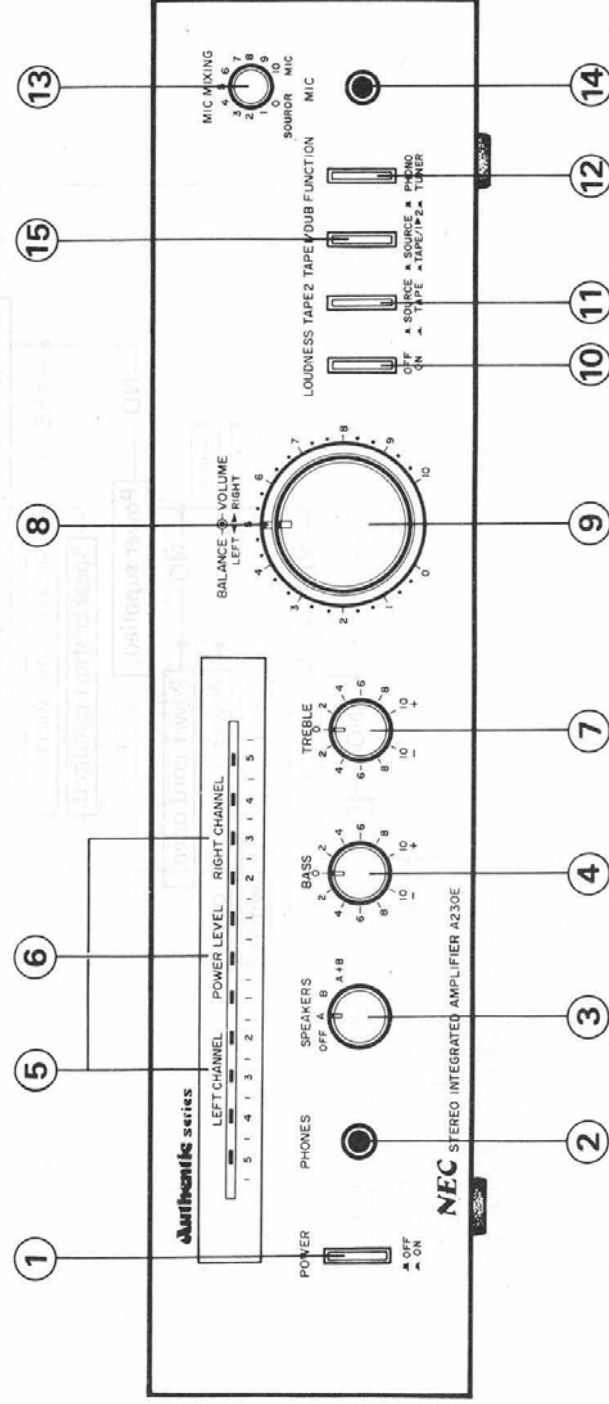
Nippon Electric Co., Ltd.

TOKYO, JAPAN

DISASSEMBLY



EXTERNAL VIEW



1. POWER SWITCH

2. HEADPHONES JACK

3. SPEAKERS SWITCH

4. BASS CONTROL

5. POWER LEVEL indicator

6. POWER indicator

7. TREBLE CONTROL

8. BALANCE CONTROL

9. VOLUME CONTROL

10. LOUDNESS SWITCH

11. TAPE 2 SWITCH

12. FUNCTION SWITCH

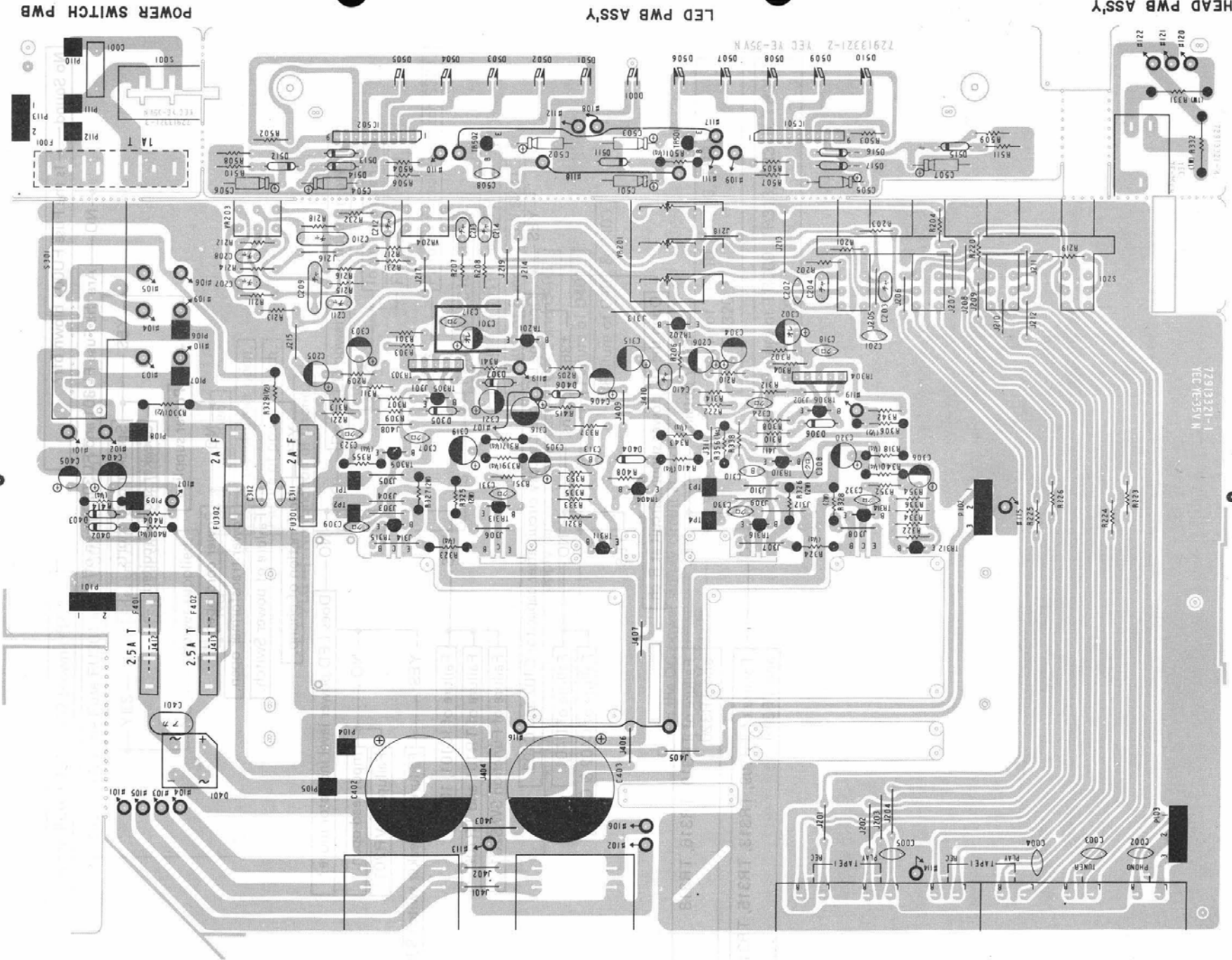
13. MIC MIXING control

14. MIC input jack

15. TAPE 1/DUB switch

MAIN PWB ASS'Y (Solder Side)

LABR-28A12C

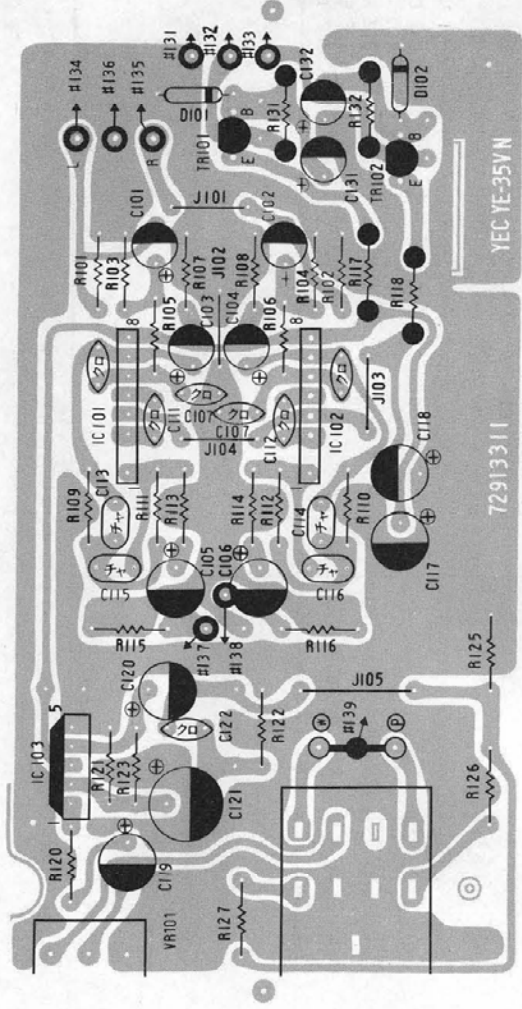


POWER SWITCH PWB

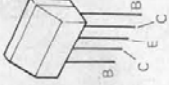
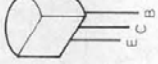
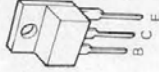
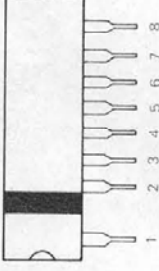
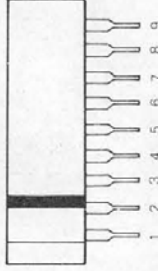
LED PWB ASS'Y

HEAD PWB ASS'Y

EQ PWB ASS'Y (Solder Side)



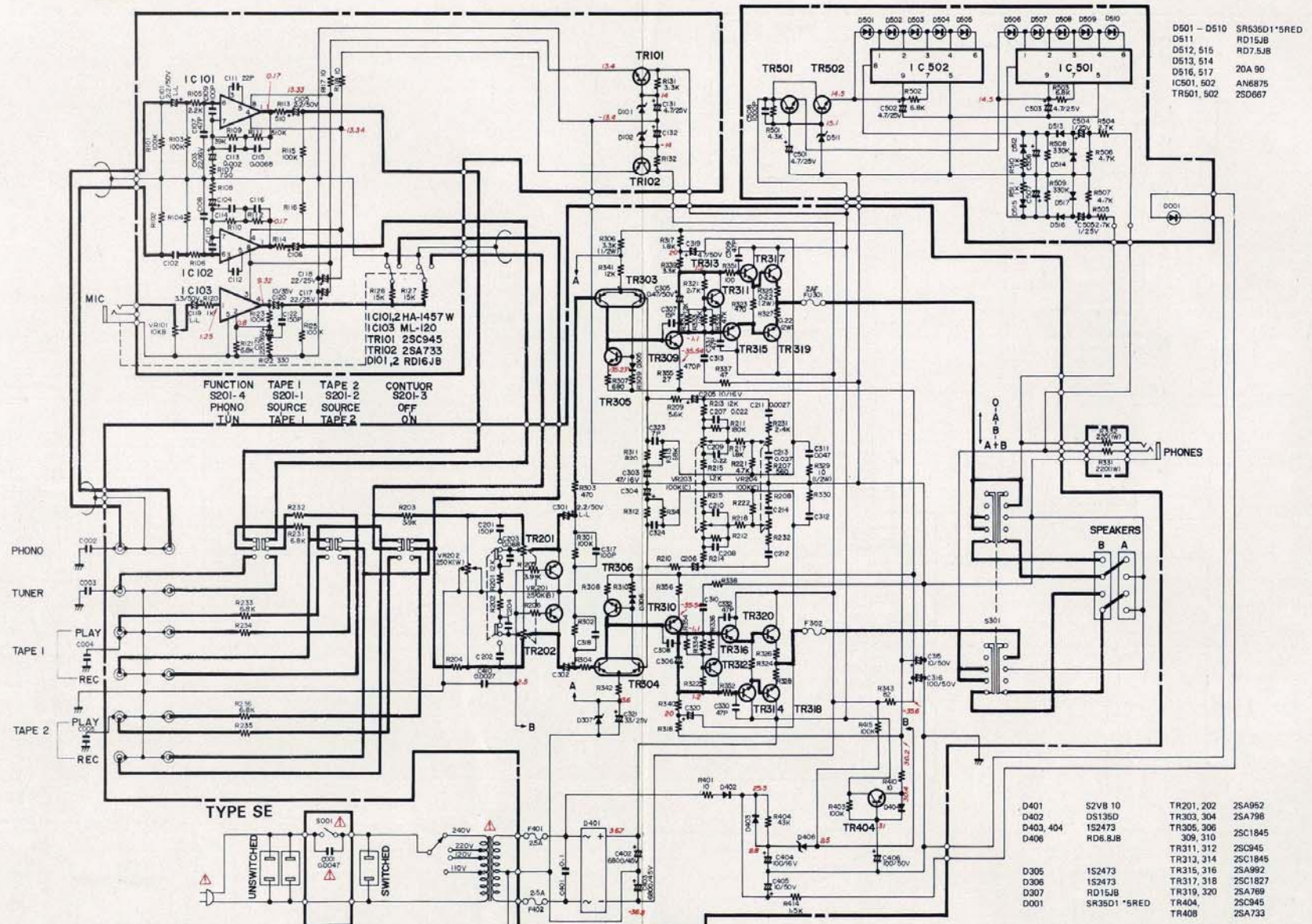
TRANSISTOR & IC LEAD IDENTIFICATION

<p>TR303, 304</p>	<p>2SA798</p>	
<p>TR201, 202 TR305, 306 309, 310 TR311, 312 TR313, 314 TR315, 316 TR404, TR408 TR501, 502</p>	<p>2SA952 2SC1845 2SC945 2SC1845 2SA992 2SC945 2SA733 2SD667</p>	
<p>TR317, 318 TR319, 320</p>	<p>2SC1827 2SA769</p>	
<p>IC101, 102</p>	<p>HA1457W</p>	 <p style="text-align: center;">SIDE VIEW</p>
<p>IC501, 502</p>	<p>AN6875</p>	 <p style="text-align: center;">SIDE VIEW</p>

SYMBOL NO.	PART NO.	DESCRIPTION	QTY	REMARKS
IC1	37903071	IC NJM 4558D	1	
IC2	37903071	IC NJM 4558D	1	
X1 ~ 4	35047216	Transistor, 2SC945 (D)	1	
X5	35003517	Transistor, 2SA733/733AQ	1	
C6 ~ 7	35922700	Transistor, 2SB562 (B)	1	
X8 ~ 9	35963902	Transistor, 2SD468 (B)	1	
ZD1 ~ 2	18990951	WZ 061	1	
D1 ~ 4	18990621	W 03B	1	
R2	40102157	RD ¼ PTY220Ω, B	1	
R25	40102157	RD ¼ PTY220Ω, B	1	
R26	40102157	RD ¼ PTY220Ω, B	1	
R27	40102161	RD ¼ PTY330Ω, B	1	
R28	40102161	RD ¼ PTY330Ω, B	1	
R35	40102161	RD ¼ PTY330Ω, B	1	
R36	40102161	RD ¼ PTY330Ω, B	1	
R1	40102181	RD ¼ PTY 2.2KΩ, B	1	
R5	40102187	RD ¼ PTY 3.9KΩ, B	1	
R21	40102187	RD ¼ PTY 3.9KΩ, B	1	
R14	40102187	RD ¼ PTY 3.9KΩ, B	1	
R17	40102187	RD ¼ PTY 3.9KΩ, B	1	
R6	40102191	RD ¼ PTY 5.6KΩ, B	1	
R7	40102191	RD ¼ PTY 5.6KΩ, B	1	
R15	40102191	RD ¼ PTY 5.6KΩ, B	1	
R16	40102191	RD ¼ PTY 5.6KΩ, B	1	
R20	40102197	RD ¼ PTY 10KΩ, B	1	
R31	40102197	RD ¼ PTY 10KΩ, B	1	
R33	40102197	RD ¼ PTY 10KΩ, B	1	
R4	40102199	RD ¼ PTY 12KΩ, B	1	
R10	40102199	RD ¼ PTY 12KΩ, B	1	
R11	40102199	RD ¼ PTY 12KΩ, B	1	
R12	40102199	RD ¼ PTY 12KΩ, B	1	
R18	40102199	RD ¼ PTY 12KΩ, B	1	
R29	40102203	RD ¼ PTY 18KΩ, B	1	
R30	40102203	RD ¼ PTY 18KΩ, B	1	
R19	40102205	RD ¼ PTY 22KΩ, B	1	
R22	40102209	RD ¼ PTY 33KΩ, B	1	
R23	40102209	RD ¼ PTY 33KΩ, B	1	
R24	40102225	RD ¼ PTY 150Ω, B	1	
R8	40102243	RD ¼ PTY 820KΩ, B	1	
R13	40102237	RD ¼ PTY 470KΩ, B	1	
R3	40102245	RD ¼ PTY 1.0Ω, B	1	

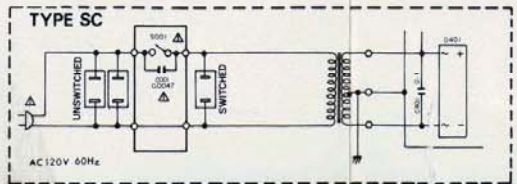
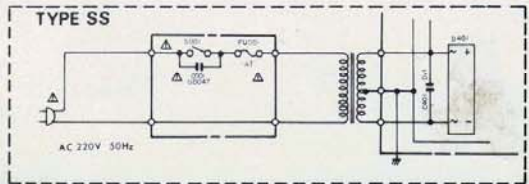
SYMBOL NO.	PART NO.	DESCRIPTION	Q'TY	REMARKS
R37	40102173	RD ¼ PTY 1KΩ, B	1	
R38	40102173	RD ¼ PTY 1KΩ, B	1	
VR1	18990961	VR, 5KΩ (B)	1	
VR2	18990961	VR, 5KΩ (B)	1	
VR3	18997451	VR, 10KΩ (B)	1	
VR4	18997451	VR, 10KΩ (B)	1	
VR5	18997461	VR, 300Ω (B)	1	
C3	42701019	C, Poly, 0.01μF 50V	1	
C4	42701025	C, Poly, 0.1μF 50V	1	
C9	42701025	C, Poly, 0.1μF 50V	1	
C10	42701025	C, Poly, 0.1μF 50V	1	
C11	42701025	C, Poly, 0.1μF 50V	1	
C1	43991014	C, Elec. 22μF 25V	1	
C5	43993060	0.1μF 50V	1	
C2	43991013	C, Elec. 0.01μF 50V	1	
C12	43993032	C, Elec. 1000μF 16V	1	
C13	43993032	C, Elec. 1000μF 16V	1	
C6	43993060	C, Elec. 1μF 50V	1	
C7	43993060	C, Elec. 1μF 50V	1	
C8	43993060	C, Elec. 1μF 50V	1	

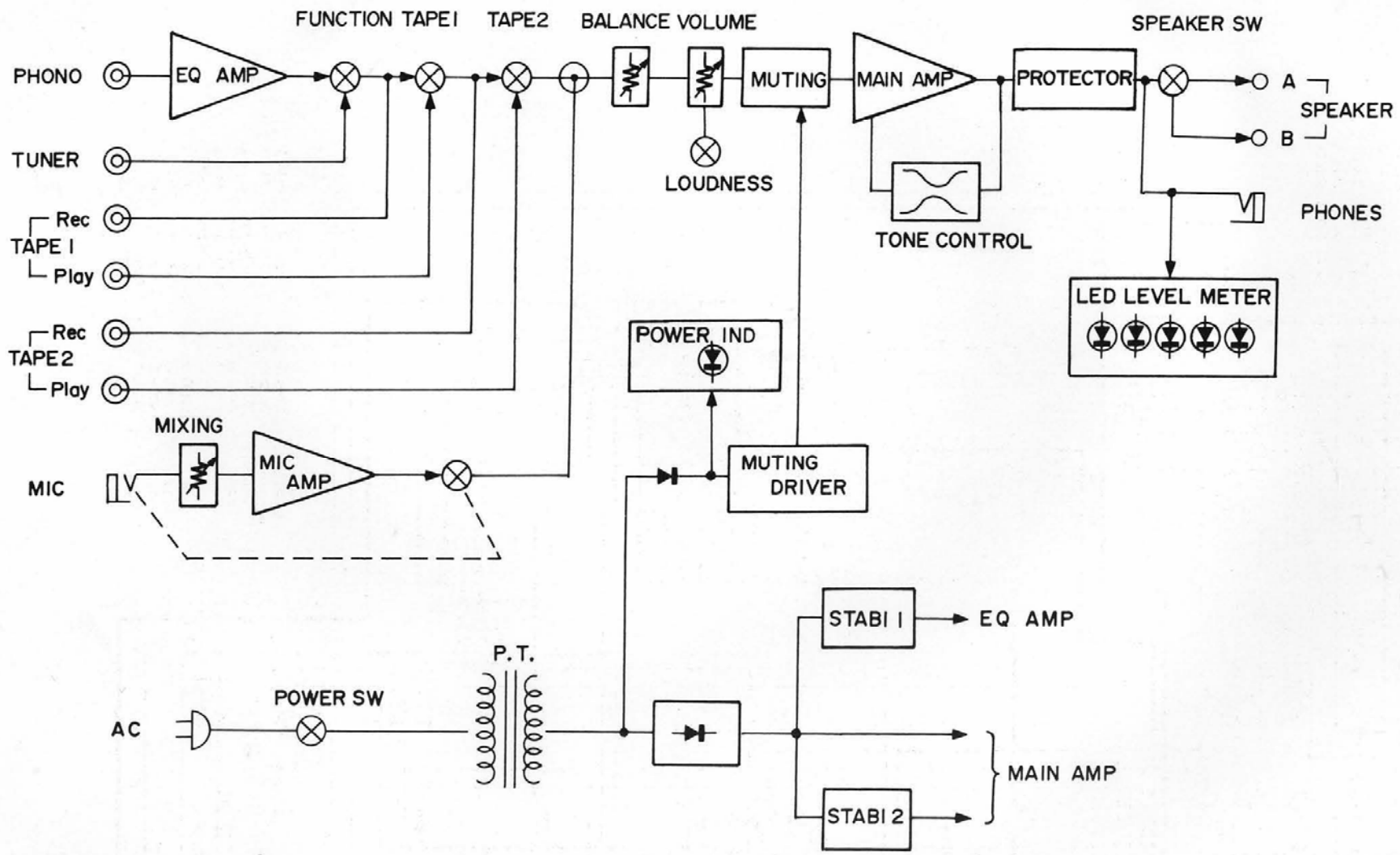
SCHEMATIC DIAGRAM



- | | |
|-------------|---------------|
| D501 - D510 | SR535D1 *5RED |
| D511 | RD15JB |
| D512, 515 | RD7.5JB |
| D513, 514 | 20A 90 |
| D516, 517 | AN6875 |
| IC501, 502 | 2SD667 |
| TR501, 502 | |

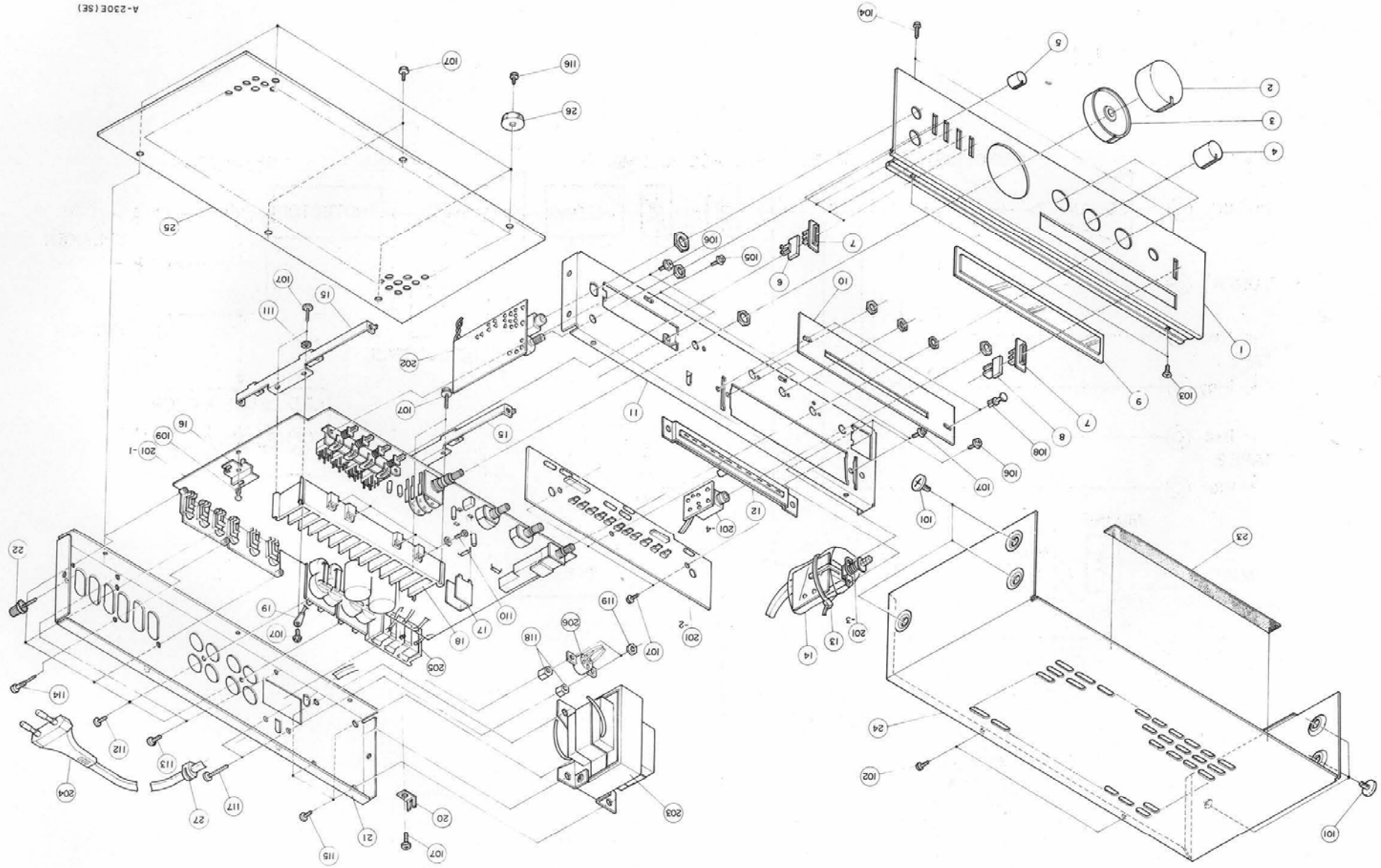
- | | | | |
|-----------|--------------|------------|------------|
| D401 | S2VB 10 | TR201, 202 | 2SA952 |
| D402 | DS135D | TR303, 304 | 2SA798 |
| D403, 404 | 1S2473 | TR305, 306 | 309, 310 |
| D406 | RD6.8JB | | 25C1845 |
| | | | TR311, 312 |
| | | | 25C945 |
| | | | TR313, 314 |
| | | | 25C1845 |
| | | | TR315, 316 |
| | | | 25A992 |
| D305 | 1S2473 | TR317, 318 | 25C1827 |
| D306 | 1S2473 | TR319, 320 | 25A769 |
| D307 | RD15JB | | 25C945 |
| D001 | SR35D1 *5RED | TR404 | 25A733 |
| | | TR408 | |





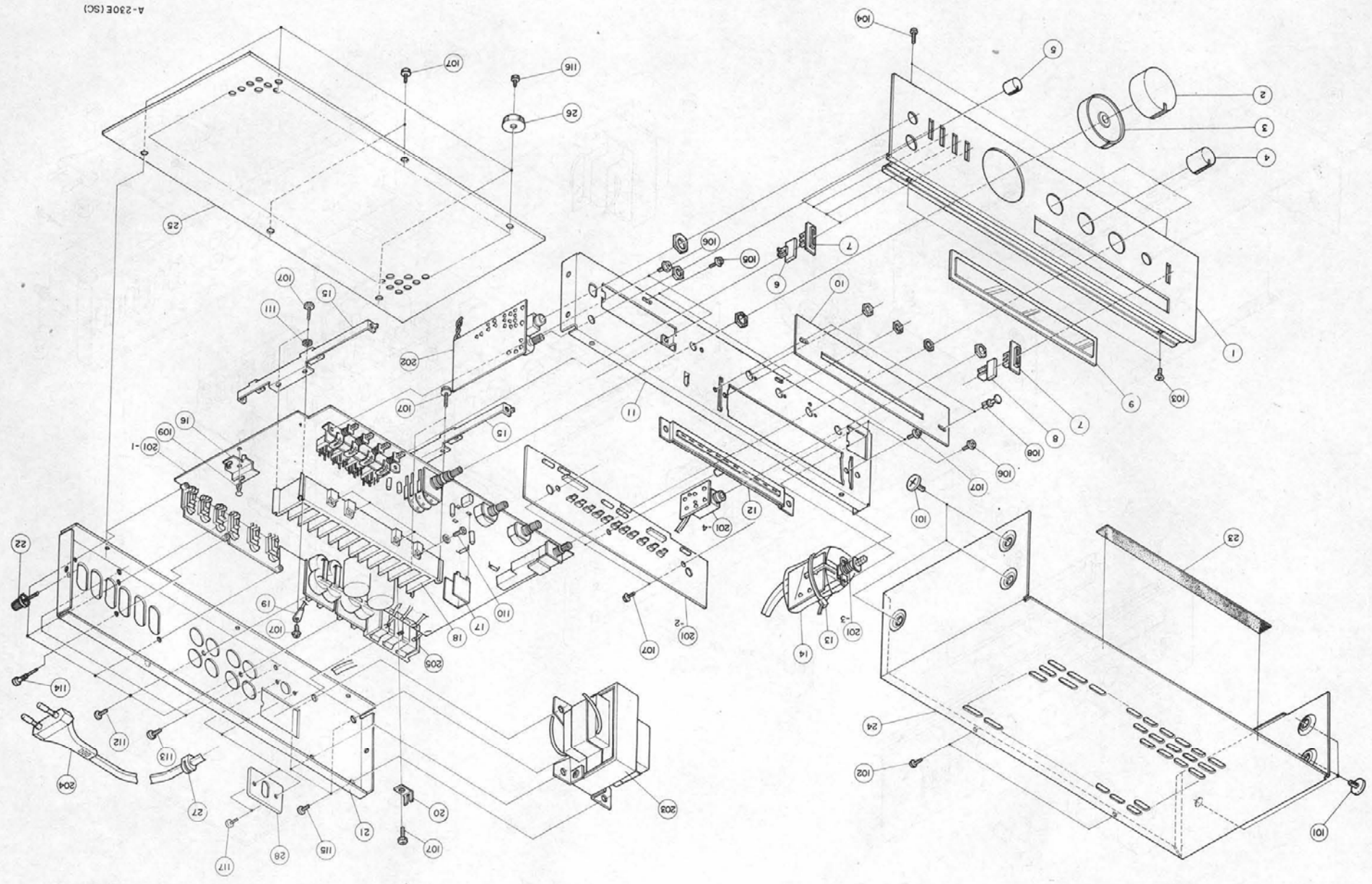
BLOCK DIAGRAM

EXPLODED VIEW (SE)



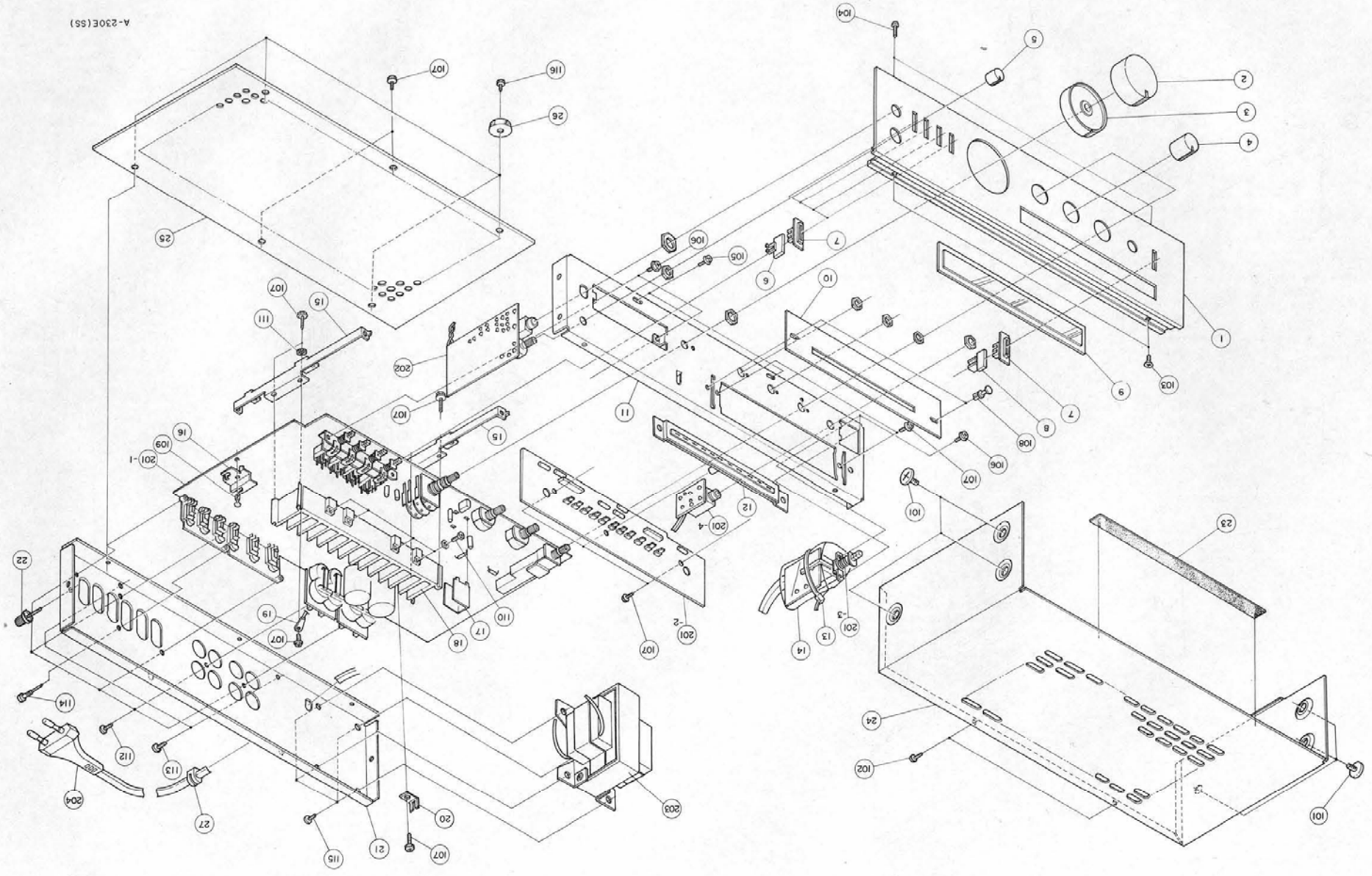
A-230E (SE)

EXPLODED VIEW (SC)



A-230E (SC)

EXPLODED VIEW (SS)



REPLACEMENT PART LIST

REF No.	PART No.	DESCRIPTION	Q'TY	REMARKS
TRANSISTORS				
TR102	35003517	Transistor, 2SA733/733A	1	
TR101, 311, 312	35047217	Transistor, 2SC945Q	3	
TR404	35047218	Transistor, 2SC945R	1	
TR303, 304	35901207	Transistor, 2SA798G	2	
TR315, 316	35901805	Transistor, 2SA992E	2	
TR319, 320	35902325	Transistor, 2SA769Y	2	
TR201, 202	35902912	Transistor, 2SA952L	2	
TR305, 306, 313, 314	35947405	Transistor, 2SC1845E	4	
TR309, 310	35947406	Transistor, 2SC1845E	2	
TR317, 318	35947625	Transistor, 2SC1827Y	2	
TR501, 502	35962203	Transistor, 2SD667C	2	

DIODES

D513, 514, 516, 517	36002513	Diode, 20A90	4	
D305, 306, 403, 404	360K1009	Diode, 1S2473	4	
D402	36107011	Rectifier, 10D-1	1	
D401	36902063	Rectifier, S2VB10	1	
D001	36904074	LED, SG235D GREEN	1	
D501, 502, 503, 504, 505, 506, 507, 508, 509, 510	36904075	LED, SR535 RED	10	
D406	36905122	Zener Diode, RD6.8JB	1	
D512, 515	36905123	Zener Diode, RD7.5JB	2	
D307, 511	36905130	Zener Diode, RD15JB	2	
D101, 102	36905131	Zener Diode, RD16JB	2	

ICs

IC501, 502	37901057	IC, AN6875	2	
IC101, 102	37901058	IC, HA1457W	2	
IC103	37901062	IC, ML120	1	

RESISTORS

R331, 332	40351157	R, Metal	2	220Ω	5%	1W
R329, 330	40912125	R, Carbon	1	10Ω	5%	½W
R306	40912185	R, Carbon	1	3.3KΩ	5%	½W
R117, 118, 401, 410	40913125	R, Carbon	4	10Ω	5%	¼W
R355, 356	40913135	R, Carbon	2	27Ω	5%	¼W
R343	30913147	R, Carbon	1	82Ω	5%	¼W
R323, 324	40913165	R, Carbon	2	470Ω	5%	¼W
R414	40913177	R, Carbon	1	1.5KΩ	5%	¼W
R317, 318	40913179	R, Carbon	2	1.8KΩ	5%	¼W

REF No.	PART No.	DESCRIPTION	Q'TY	REMARKS
R131, 132, 339, 340	40913185	R, Carbon 3.3K Ω 5% $\frac{1}{4}$ W	4	
R501	40913188	R, Carbon 4.3K Ω 5% $\frac{1}{4}$ W	1	
R325, 326, 327, 328	40920050	R, Wirewound 22 Ω 10%	4	
R122	40982161	R, Carbon 330 Ω 5% $\frac{1}{4}$ W	1	
R113, 114	40982166	R, Carbon 510 Ω 5% $\frac{1}{4}$ W	2	
R107, 108	40982170	R, Carbon 750 Ω 5% $\frac{1}{4}$ W	2	
R120	40982173	R, Carbon 1.0K Ω 5% $\frac{1}{4}$ W	1	
R105, 106	40982181	R, Carbon 2.2K Ω 5% $\frac{1}{4}$ W	2	
R121	40982193	R, Carbon 5.8K Ω 5% $\frac{1}{4}$ W	1	
R126, 127	40982201	R, Carbon 15K Ω 5% $\frac{1}{4}$ W	2	
R109, 110	40982211	R, Carbon 39K Ω 5% $\frac{1}{4}$ W	2	
R101, 102, 103, 104, 115, 116, 123, 123, 125,	40982221	R, Carbon 100K Ω 5% $\frac{1}{4}$ W	8	
R111, 112	40982238	R, Carbon 510K Ω 5% $\frac{1}{4}$ W	2	
R337, 338	409H2641	R, Carbon 47 Ω 5% $\frac{1}{4}$ W	2	
R351, 352	409H2649	R, Carbon 100 Ω 5% $\frac{1}{4}$ W	2	
R303, 304	409H2665	R, Carbon 470 Ω 5% $\frac{1}{4}$ W	2	
R207, 208	409H2667	R, Carbon 560 Ω 5% $\frac{1}{4}$ W	2	
R307, 308, 309, 310	409H2669	R, Carbon 680 Ω 5% $\frac{1}{4}$ W	4	
R311, 312	409H2671	R, Carbon 820 Ω 5% $\frac{1}{4}$ W	2	
R510, 511	409H2673	R, Carbon 1.0K Ω 5% $\frac{1}{4}$ W	2	
R215, 216, 333, 334	409H2675	R, Carbon 1.2K Ω 5% $\frac{1}{4}$ W	4	
R217, 218	409H2679	R, Carbon 1.8K Ω 5% $\frac{1}{4}$ W	2	
R231, 232	409H2682	R, Carbon 1.4K Ω 5% $\frac{1}{4}$ W	2	
R321, 322, 504, 505	409H2683	R, Carbon 2.7K Ω 5% $\frac{1}{4}$ W	4	
R204, 205, 206	409H2687	R, Carbon 3.9K Ω 5% $\frac{1}{4}$ W	4	
R222, 506, 507	409H2689	R, Carbon 4.7K Ω 5% $\frac{1}{4}$ W	4	
R210	409H2691	R, Carbon 5.6K Ω 5% $\frac{1}{4}$ W	4	
R219, 220, 223, 224, 225, 226, 502, 503	409H2693	R, Carbon 6.8K Ω 5% $\frac{1}{4}$ W	2	
R201, 202, 213, 214, 341, 342, 353, 354	409H2699	R, Carbon 12K Ω 5% $\frac{1}{4}$ W	8	
R404	409H2712	R, Carbon 43K Ω 5% $\frac{1}{4}$ W	1	
R335, 336	409H2713	R, Carbon 47K Ω 5% $\frac{1}{4}$ W	2	
R313, 314	409H2717	R, Carbon 68K Ω 5% $\frac{1}{4}$ W	2	
R301, 302, 408, 415	409H2721	R, Carbon 100K Ω 5% $\frac{1}{4}$ W	4	
R211, 212	409H2727	R, Carbon 180K Ω 5% $\frac{1}{4}$ W	2	
R508, 509	409H2733	R, Carbon 330K Ω 5% $\frac{1}{4}$ W	2	

CONTROLS

VR203, 204	41950385	Variable Resistor 100K Ω x 2	2	
VR201	41950399	Variable Resistor 250K Ω x 3	1	
VR101,	41950401	Variable Resistor 10K Ω	1	

CAPACITORS

C311	42110433	C, Ceramic 50V 0.047 μ F	1	
C312	42110933	C, Ceramic 50V 0.047 μ F	1	
C508	421A0413	C, Ceramic 50V 1000pF	1	
C002, 003, 004, 005	421A0429	C, Ceramic 50V 22000pF	4	
C310, 313	421C0209	C, Ceramic 50V 470pF	2	
C111, 112	42332049	C, Ceramic 50V 22pF	2	
C107, 108	42332053	C, Ceramic 50V 56pF	2	
C109, 110	42332057	C, Ceramic 50V 100pF	2	

REF No.	PART No.	DESCRIPTION	Q'TY	REMARKS
C317, 318	423A1045	C, Ceramic 50V 100pF	2	
C201, 202	423A1049	C, Ceramic 50V 150pF	2	
C323, 324	423A2012	C, Ceramic 50V 7pF	2	
C307, 308	423A2025	C, Ceramic 50V 15pF	2	
C309, 330, 331, 332	423A2037	C, Ceramic 50V 47pF	4	
C001	42606011	C, MP 250V 4700pF	1	
C122	42972405	C, Poly 50V 150pF	1	
C209, 210	42974002	C, Poly 50V 0.22 μ F	2	
C115, 116	42974015	C, Poly 50V 6800pF	2	
C203, 204	42974024	C, Poly 50V 68000pF	2	
C113, 114	42974033	C, Poly 50V 2000pF	2	
C401	42974307	C, Poly 500V 0.1 μ F	1	
C133, 134	42976813	C, Poly 50V 0.1 μ F	2	
C211, 212, 410	429G4001	C, Poly 50V 2700pF	3	
C213, 214	429G4020	C, Poly 50V 27000pF	2	
C207, 208	429G4065	C, Poly 50V 22000pF	2	
C501, 502, 503	43021042	C, Elec. 25V 4.7 μ F	3	
C504, 505, 506, 507	43021066	C, Elec. 50V 1 μ F	4	
C402, 403	43910027	C, Elec. 45V 6800 μ F	2	
C101, 102	43980055	C, Elec. 50V 2.2 μ F	2	
C119	43980056	C, Elec. 50V 3.3 μ F	1	
C103, 104	43993025	C, Elec. 16V 22 μ F	2	
C121	43993029	C, Elec. 16V 220 μ F	1	
C131, 132	43993036	C, Elec. 25V 4.7 μ F	2	
C117, 118	43993038	C, Elec. 25V 22 μ F	2	
C120	43993049	C, Elec. 35V 10 μ F	1	
C105, 106	43993061	C, Elec. 50V 2.2 μ F	2	
C316, 406	43993068	C, Elec. 50V 100 μ F	2	
C301, 302	439H0055	C, Elec. 50V 2.2 μ F	2	
C303, 304	439J3040	C, Elec. 25V 47 μ F	2	
C404	439J3041	C, Elec. 25V 100 μ F	1	
C321	439J3051	C, Elec. 35V 33 μ F	1	
C305, 306	439J3059	C, Elec. 50V 0.47 μ F	2	
C205, 206, 315, 405	439J3064	C, Elec. 50V 10 μ F	4	
C319, 320	439J3067	C, Elec. 50V 47 μ F	2	

MISCELLANEOUS PARTS

1	18714951	Front Panel	1	
2	18462741	Volume Knob Ass'y	1	
3	18462761	Balance Knob Ass'y	1	
4	18462781	Knob Ass'y, Rotary	3	
5	18462801	Knob Ass'y	1	
6	18462841	Push Button S	4	
7	18404741	Collar	5	
8	18462851	Push Button L	1	
9	18404751	LED Filter	1	
10	18714971	LED Ornamental Plate	1	
11	18519061	Sub Chassis	1	
12	18404771	LED Holder	1	
13	18289551	Band	1	
14	18604601	Insulation Plate	1	
15	18518051	Channel	2	
16	18518031	Bracket, MIC/EQ.PWB	1	
17	18519801	Shield Plate	1	

REF No.	PART No.	DESCRIPTION	Q'TY	REMARKS
18	18517241	Heat Sink	1	
19	18286111	Lug Terminal	1	
20	71905077	2P Ground Terminal	1	
21	18519091	Rear Panel (TYPE SE)	1	
	18520081	Rear Panel (TYPE SC)	1	
	18519121	Rear Panel (TYPE SS)	1	
22	71905104	Ground Terminal	1	
23	18604611	Sheet, Cabinet	1	
24	18356451	Cabinet	1	
25	18356181	Bottom Board	1	
26	18290731	Foot	4	
27	24280261	Cord Clamper	1	
28	18513851	Bracket, Wire Clamper (TYPE SC)	1	
101	18854311	Special Screw	6	
102	18854321	Special Screw	2	
103	91303051	Screw, #2CFTS 3 x 8 x 15BF	2	
104	91283031	Screw, #2CPTS 3 x 6 x 15BF	2	
105	18852641	Special Screw	2	
106	23850871	Special Screw	4	
107	24851551	Screw, FT 3 x 8 x 15BF	13	
108	18850871	Push Rivet	2	
109	24851801	Push Rivet	1	
110	24850201	Special Screw	4	
111	91580302	Screw, ETSTWA 3 x 15CF	1	
112	18852771	Special Screw	5	
113	18853791	Special Screw	2	
114	18852741	Special Screw	1	
115	91664013	Screw, #2CBRTS 4 x 8 x 15KF	4	
116	24851561	Screw, FT 3 x 10 x 15BF	4	
117	91013086	Screw, CPIMS 3 x 14 x 3KF (TYPE SE)	2	
	18852811	Special Screw (TYPE SC)	2	
118	18513901	Stud (TYPE SE)	2	
119	91430301	AHEXIN 3 x 15BF (TYPE SE)	2	
201	87B40101	Main PWB Ass'y	1	
202	87B40201	EQ PWB Ass'y	1	
203	45027097	Power Transformer (TYPE SE)	1	
	45006117	Power Transformer (TYPE SC)	1	
	45019135	Power Transformer (TYPE SS)	1	
204	70803014	Power Cord (TYPE SE/SS)	1	
	79759115	Power Cord (TYPE SC)	1	
205	70905265	AC Outlet (TYPE SE/SC)	1	
206	65901039	Voltage Selector Switch (TYPE SE)	1	
S301	65902067	Slide Rotary Switch	1	
S201	65904168	Push Switch	1	
S001	65904183	Power Switch	1	
	66901058	Fuse 2.5AT SEMKO (TYPE SE)	2	
	66901068	Fuse 2.0AT SEMKO (TYPE SE/SS)	2	
	66901079	Fuse 2.0AN UL (TYPE SC)	2	
	66901090	Fuse 2.0AT UL (TYPE SC)	1	
	66671003	Fuse 1A (TYPE SS)	1	
	70905263	Microphone Jack	1	
	70905264	Headphone Jack	1	
	71905q59	4P Speaker Terminal	2	

REF No.	PART No.	DESCRIPTION	Q'TY	REMARKS
	71905167	6P RCA Pin Terminal	2	
	78912961	Instruction Booklet	1	

PACKING MATERIALS

19800561	Bag, Polyethylene	1	
19800672	Bag B, Polyethylene	1	
19805131	Bag B, Polyethylene	1	
18807361	Filler, Carton	2	
18807341	Carton Box	1	

