

NEC

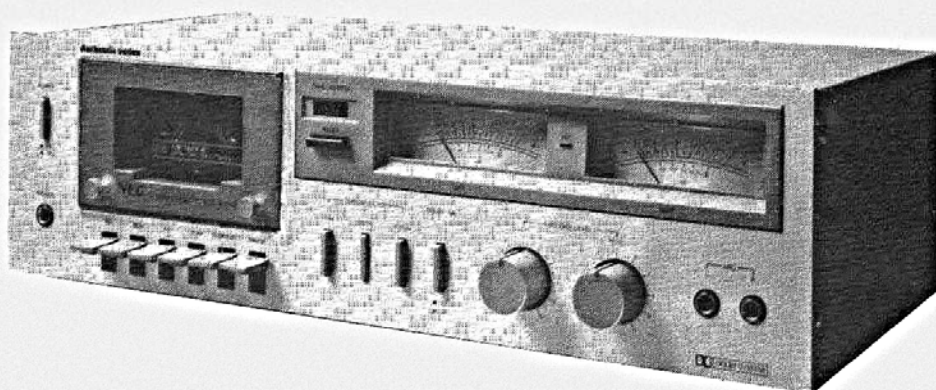
Authentic series

MODEL K315E (SG/SC)

STEREO CASSETTE DECK SERVICE MANUAL



Better Service
Better Reputation
Better Profit



SPECIFICATIONS

MECHANICAL PERFORMANCE NOMINAL VALUE

Tape Speed	4.75 cm/sec.
Tape Speed Deviation	± 1.0%
Tape Speed Variation	0.5%
Wow and Flutter	0.065% (WRMS)
Fast Forward Time	100 sec. with C-60
Rewinding Time	100 sec. with C-60

ELECTRICAL PERFORMANCE NOMINAL VALUE

Bias OSC Frequency	85 KHz
Playback Sensitivity with TEAC MTT-150	580 mV
Frequency Response	
NORMAL	30 ~ 14,000 Hz
CrO ₂	30 ~ 16,000 Hz
METAL	30 ~ 16,000 Hz
Recording Input Sensitivity	
MIC	0.3 mV/10 KΩ
DIN	0.3 mV/6.8 KΩ
LINE	60 mV/47 KΩ

REC/PLAY Distortion		
NORMAL, METAL		1.0%
CrO ₂		2.0%
REC/PLAY Signal to Noise Ratio	Dolby	Dolby
	NR OFF	NR ON
NORMAL	55 dB	63 dB
CrO ₂	58 dB	65 dB
METAL	58 dB	65 dB
Erasing Capability		70 dB
Crosstalk between Channels		45 dB at 1 KHz
Dolby NR Effect		10 dB

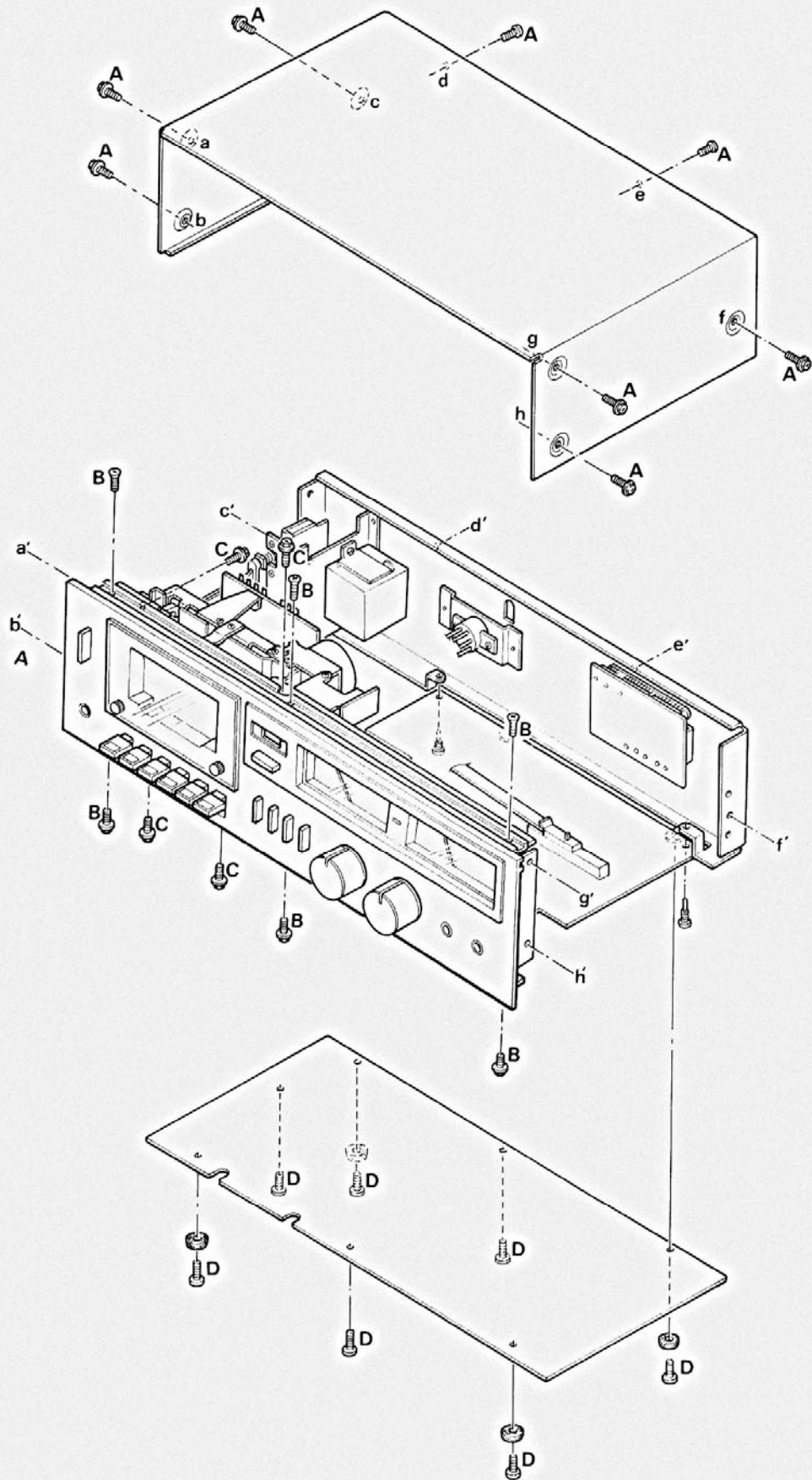
OTHER SPECIFICATIONS

Power Supply		
Type	SC	SG
Volt (V AC)	120	110/120/220/240
Hertz (Hz)	60	50/60
Dimensions	430(W) x 120(H) x 210(D) mm	

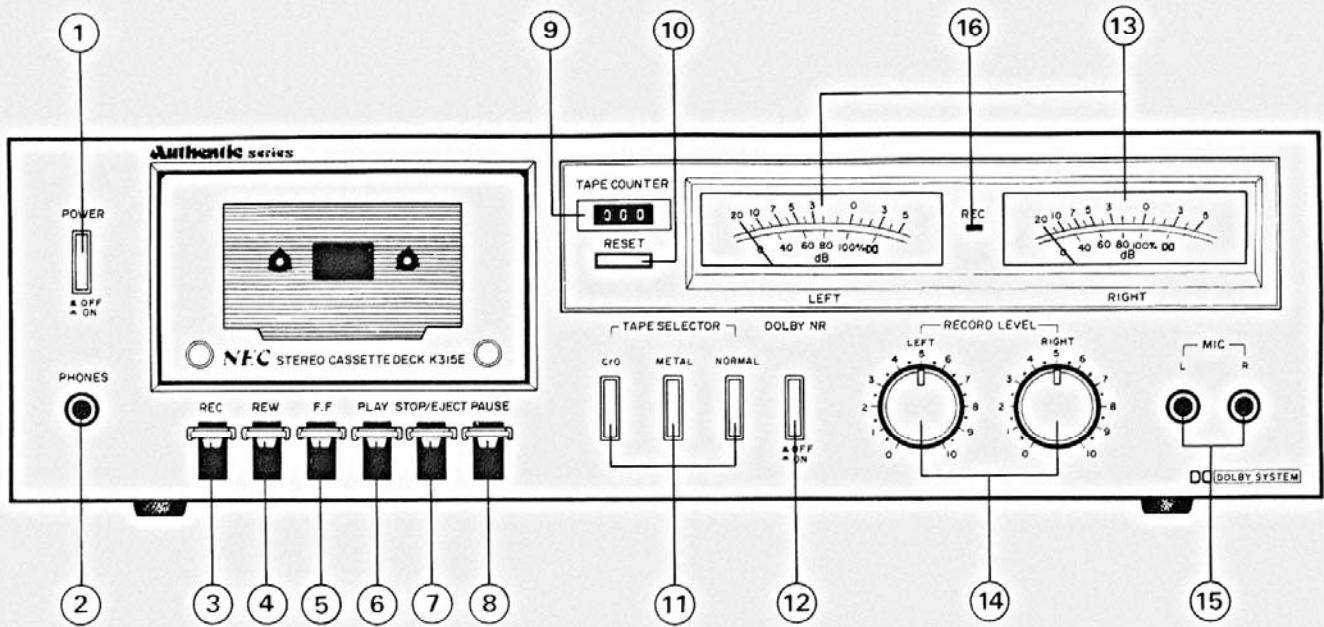
Nippon Electric Co., Ltd.

TOKYO, JAPAN

DISASSEMBLY



EXTERNAL VIEW

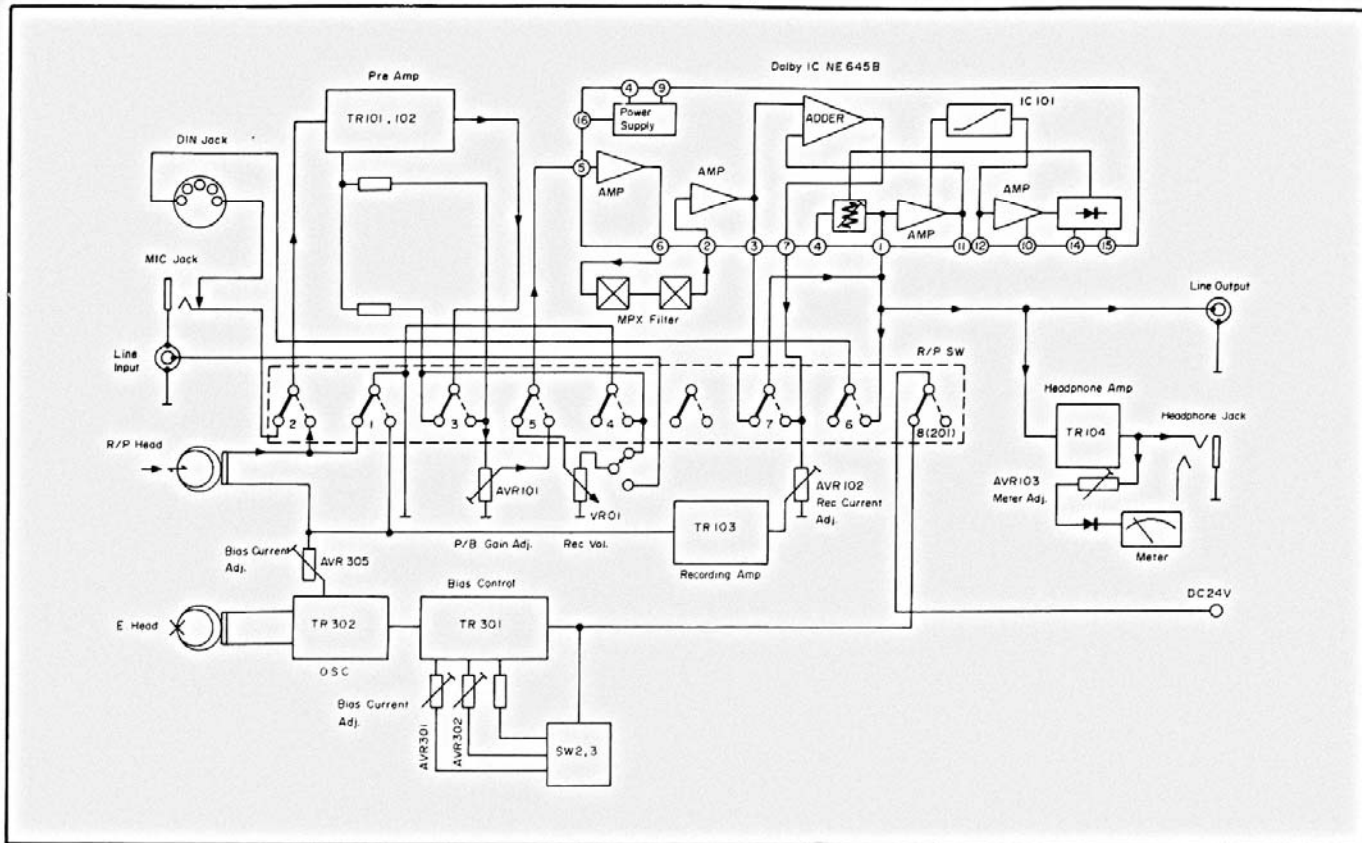


1. POWER Switch
2. PHONE Jack
3. RECORD Key
4. REWIND Key
5. FAST FORWARD Key
6. PLAY Key
7. STOP/EJECT Key
8. PAUSE Key

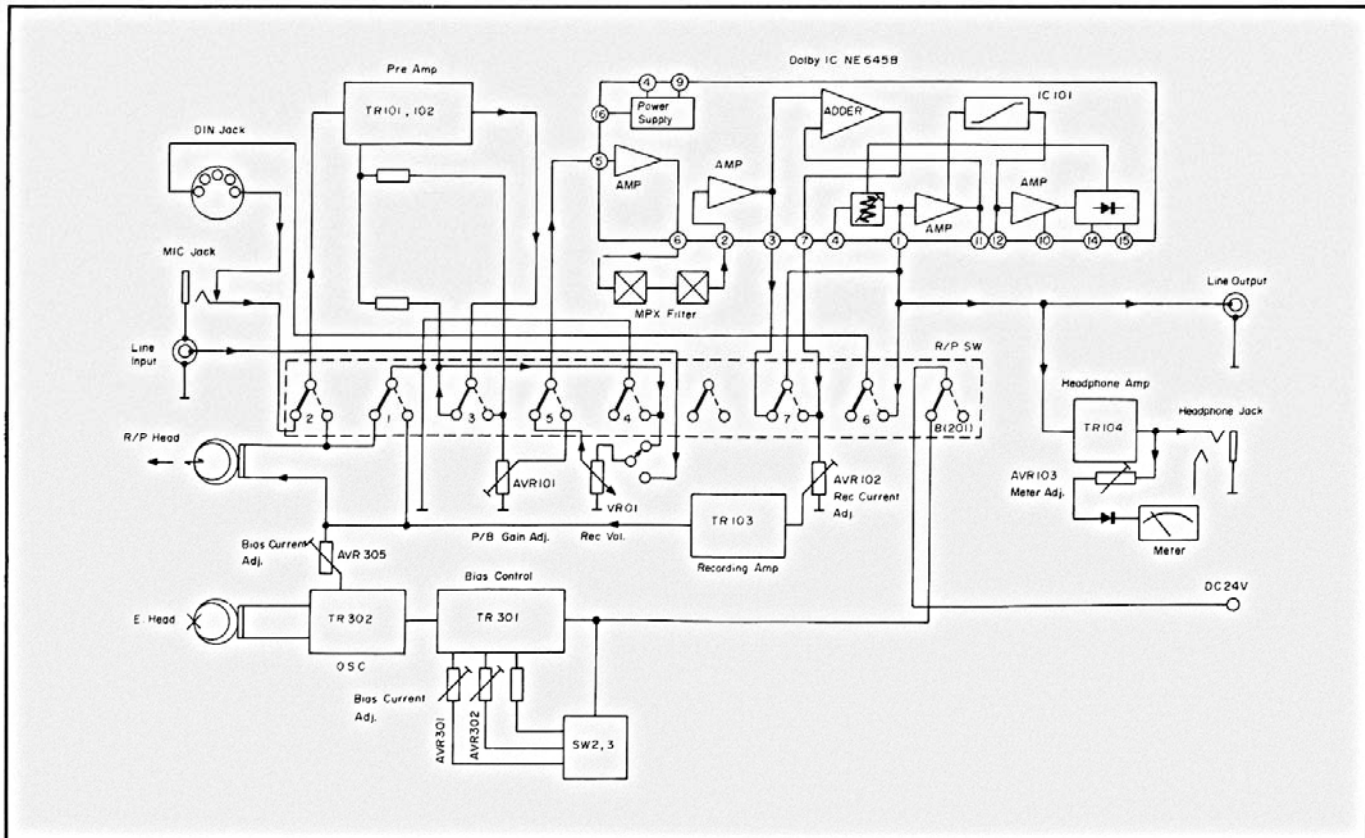
9. TAPE COUNTER
10. RESET Button
11. TAPE SELECTOR Switch
12. DOLBY NR Switch
13. LEVEL METERS
14. RECORD LEVEL Controls
15. MIC Jacks
16. RECORD INDICATOR

SIGNAL FLOW CHART

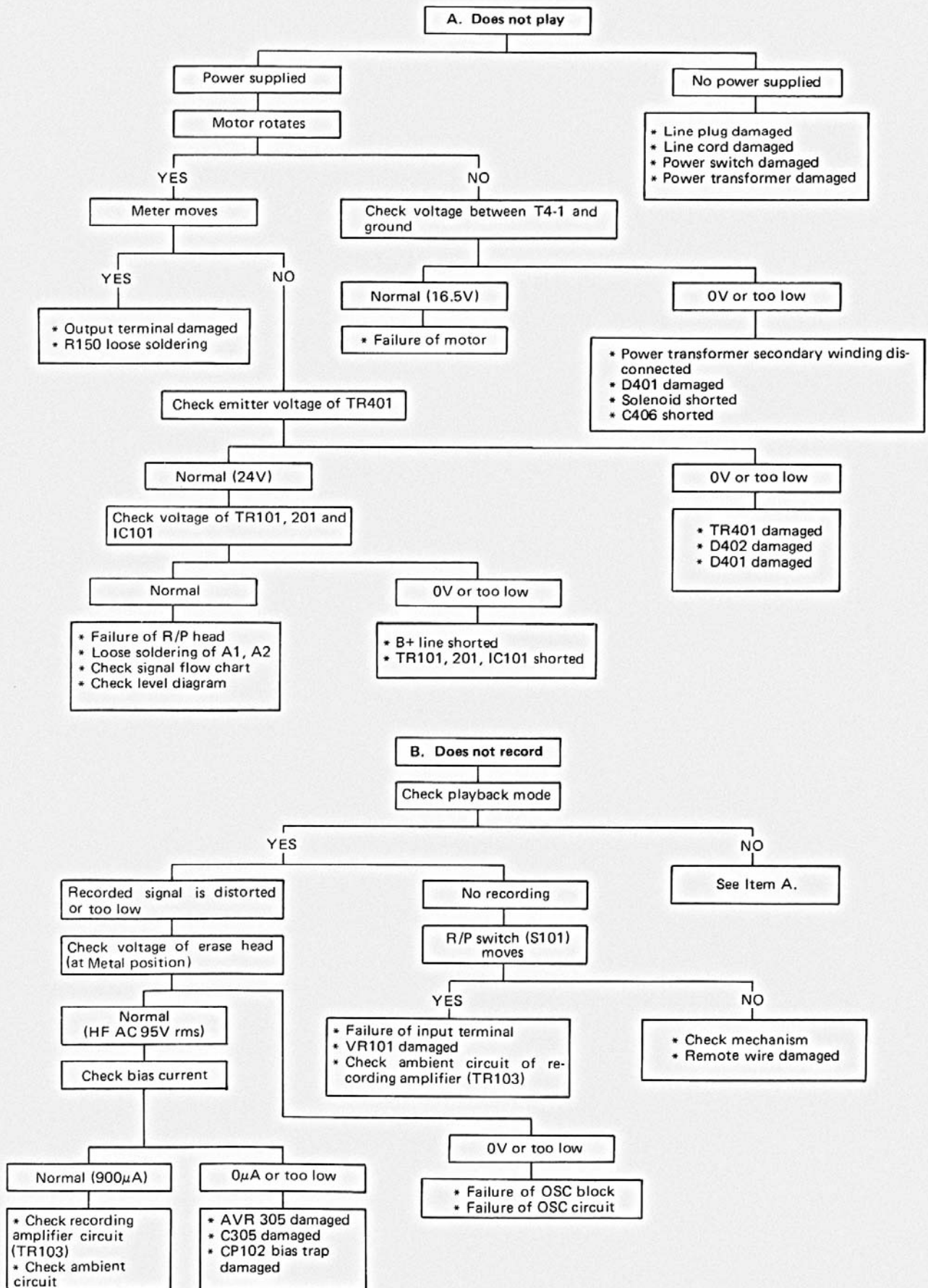
(Play Mode)



(Record Mode)



TROUBLESHOOTING

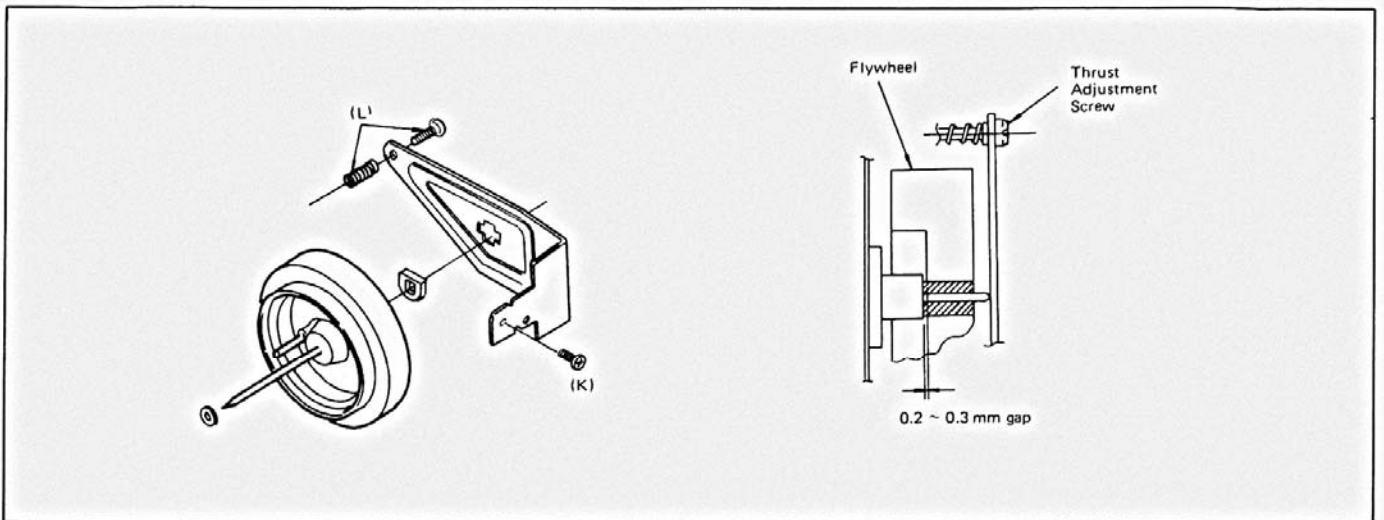


REMOVING FLYWHEEL BELT

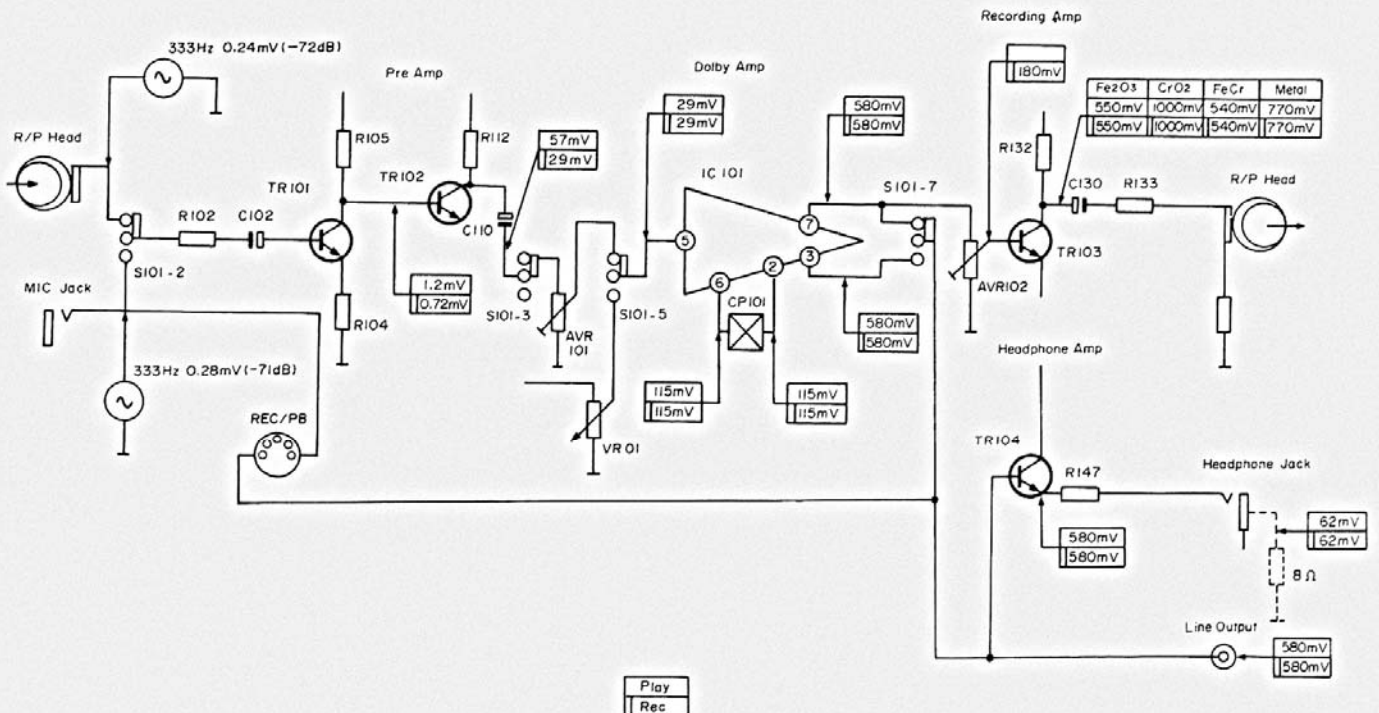
1. Remove Thrust Plate Mounting Screw (K).
2. Remove Thrust Adjustment Screw and Spring Coil (L).
3. Replace new Flywheel Belt then reassemble it.
4. Adjustment

Thrust Gap is adjusted to 0.2 ~ 0.3 mm by Thrust Adjustment Screw.

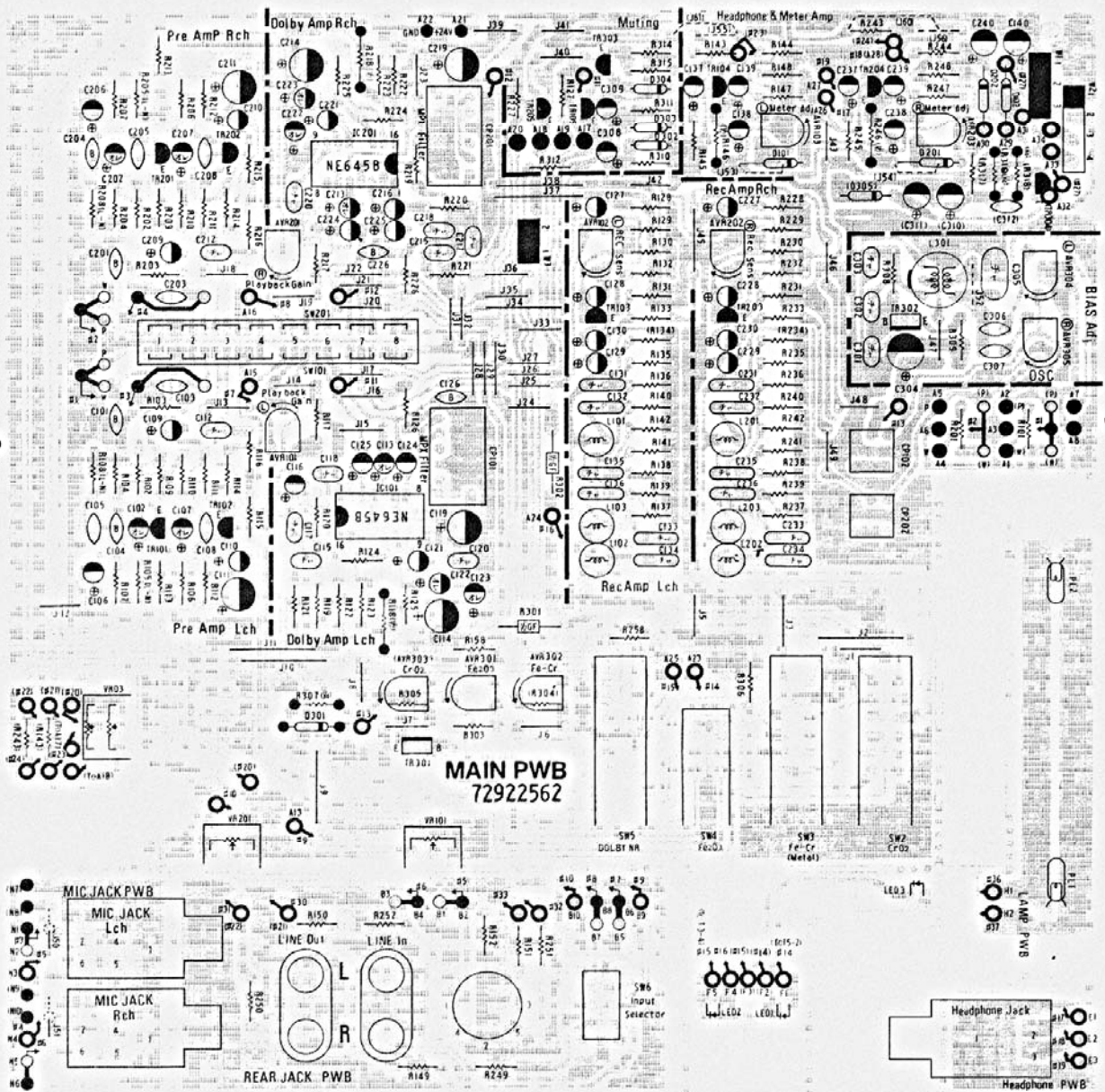
NOTE: Thrust Adjustment should be done before reassembling the Flywheel.



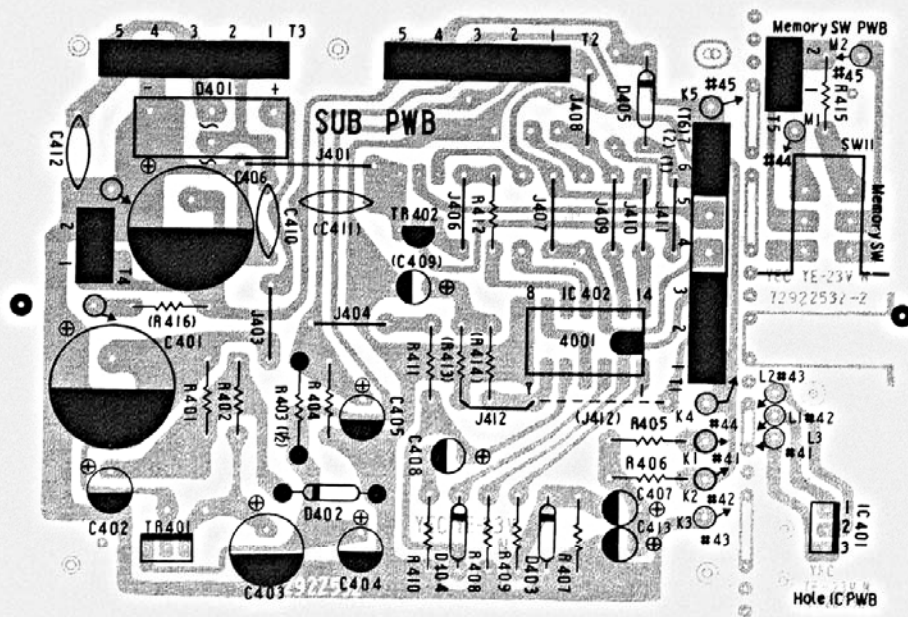
LEVEL DIAGRAM



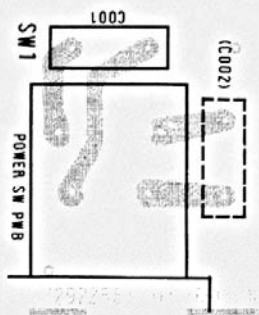
MAIN PWB ASS'Y (Solder Side)



SUB PWB ASS'Y (Solder Side)



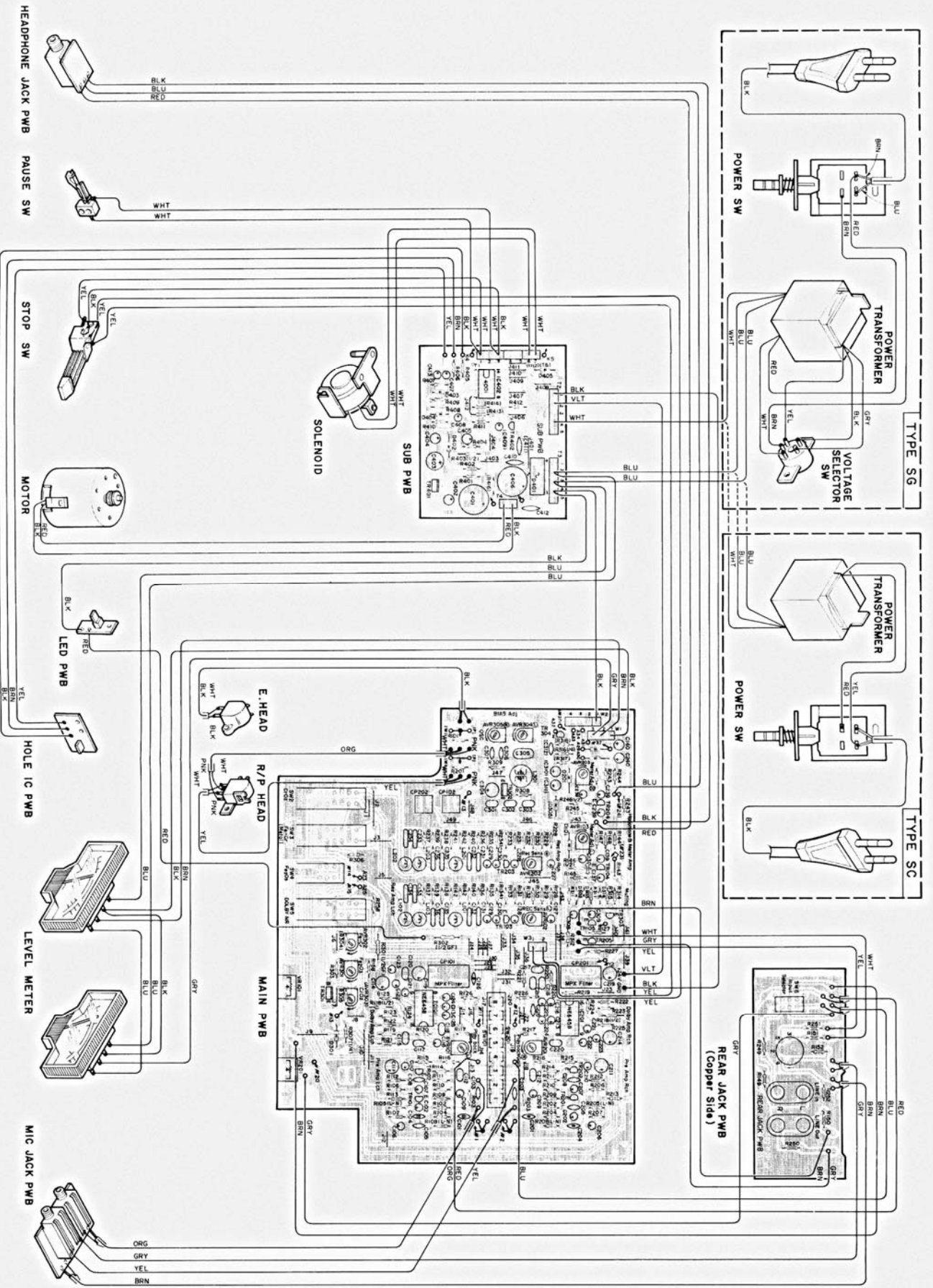
POWER SWITCH PWB ASS'Y (Solder Side)



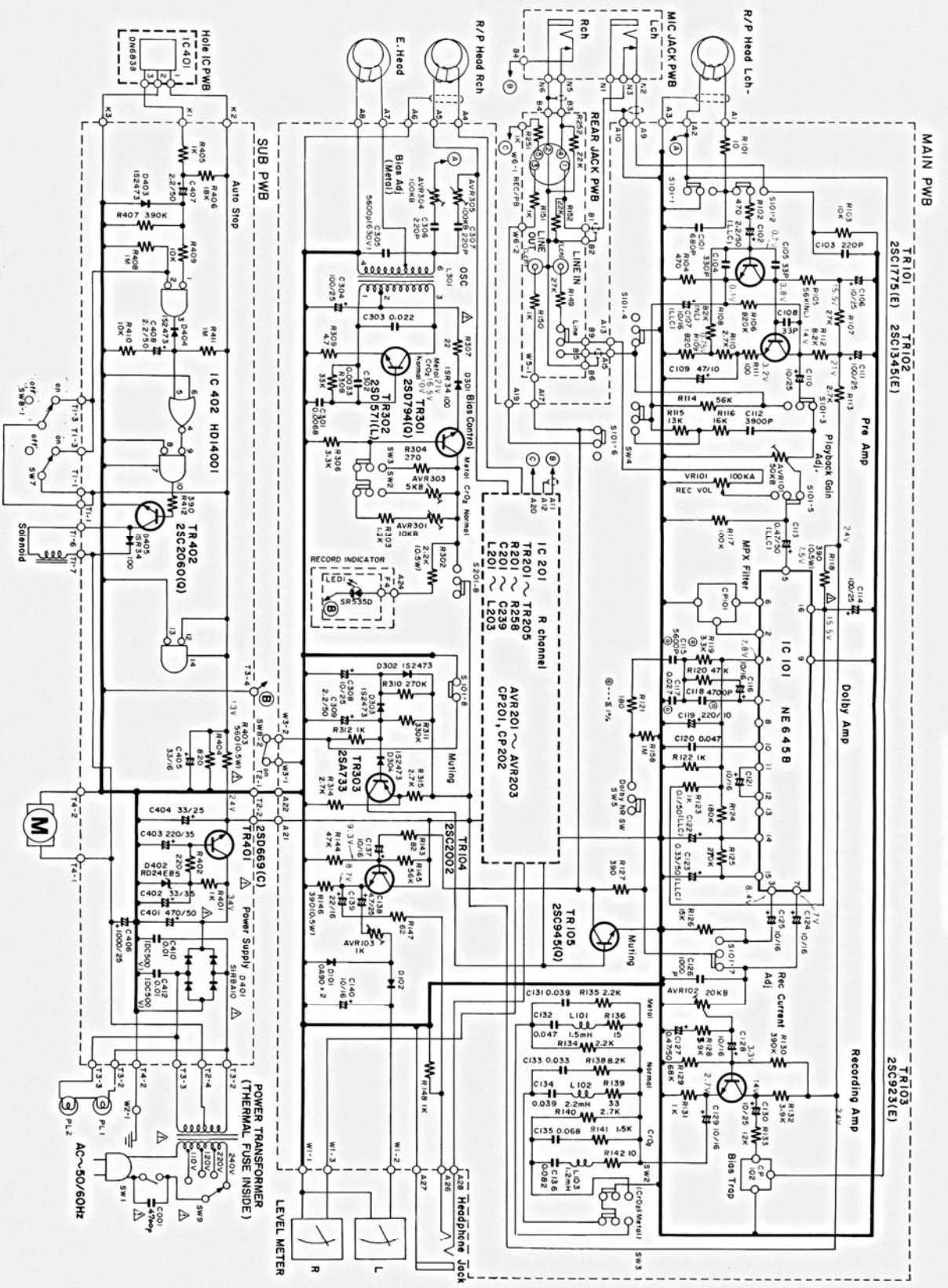
LED PWB ASS'Y (Solder Side)



WIRING DIAGRAM



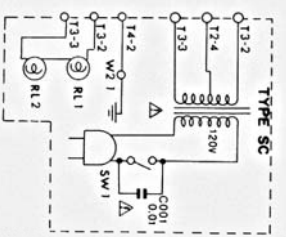
SCHEMATIC DIAGRAM



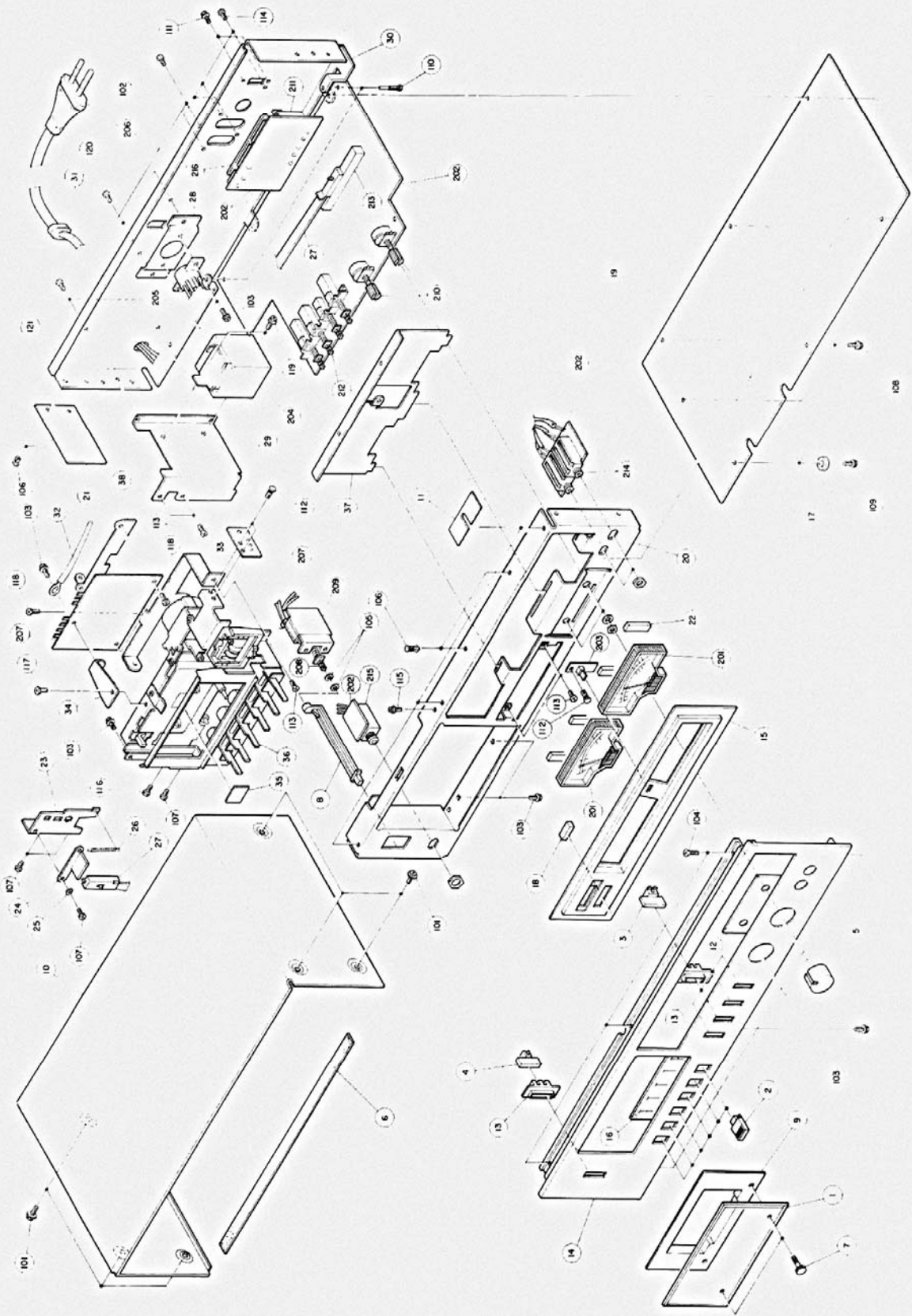
SWITCH

SW NO.	SW Name	Position
1	Power	OFF
2	Tape Selector C/O?	OFF
3	Tape Selector Metal	OFF
4	Tape Selector Normal	ON
5	Dolby NR	OFF
6	Input Selector	Line
7	Pause	ON
8	Stop	ON
9	Voltage Selector	240V
101	Rec/Play	Play
201	Rec/Play	Play

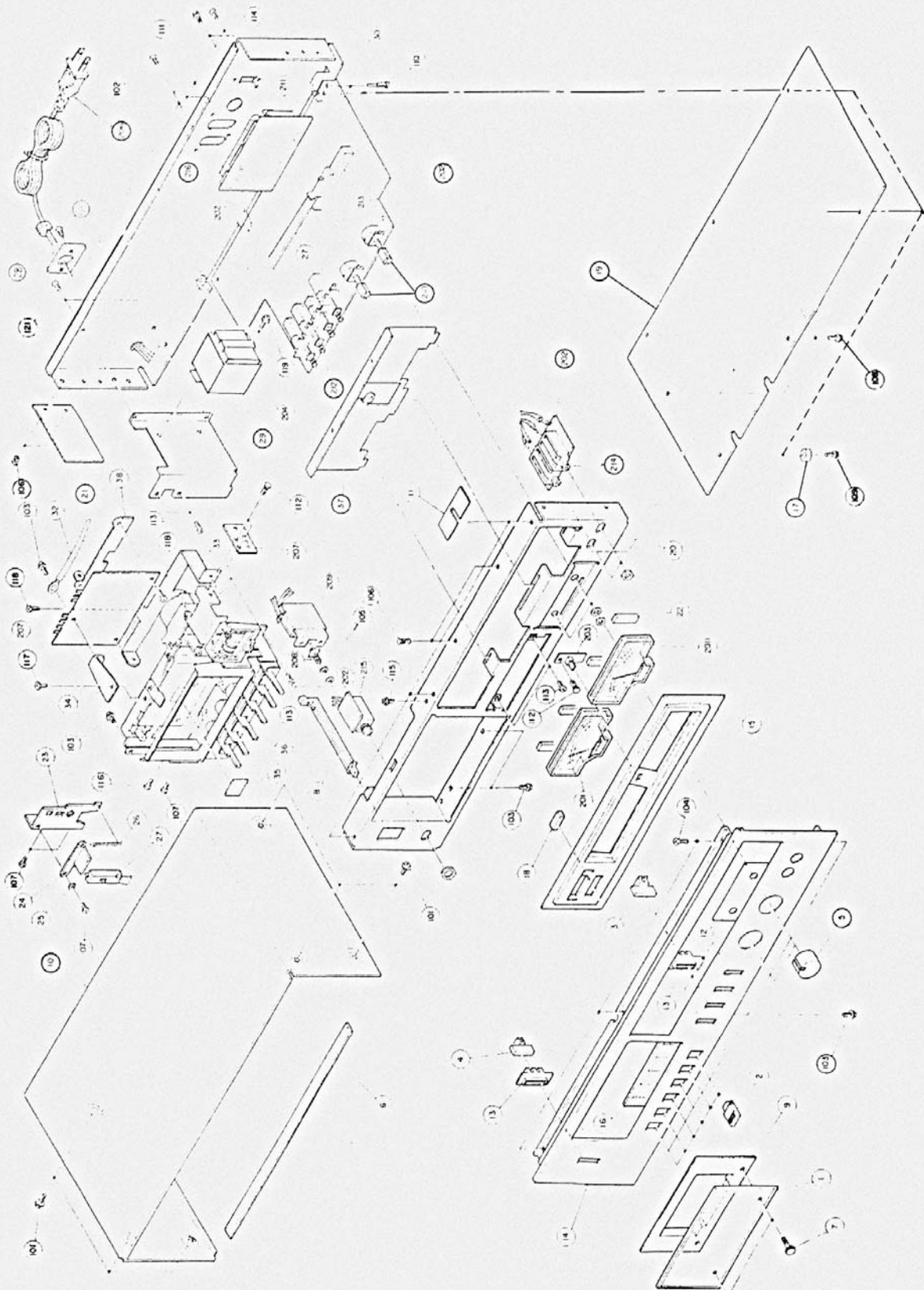
- Notes:
- All resistor values are in ohms Ω , unless otherwise values are noted.
 - All capacitor values are in μ F ($\mu = 10^{-6}$ F), unless (NL) = Nonpolar Resistor.
 - (NL) = Nonpolar Resistor.
 - (LDCI) = Low Leak Capacitor
 - Safety requirements components in accordance with present safety regulations. These components must only be replaced by original parts.



EXPLODED VIEW
TYPE SG



EXPLODED VIEW
TYPE SC



REPLACEMENT PART LIST

REF. NO.	PART NO.		DESCRIPTION	Q'TY	REMARKS
	TYPE SG	TYPE SC			

TRANSISTORS

TR303	35003517	Transistor, 2SA733/733A Q	1	
TR105, 205	35047217	Transistor, 2SC945 Q	2	
TR103, 203	35049205	Transistor, 2SC923 E	2	
TR101, 201	35946005	Transistor, 2SC1775 E	2	
TR102, 202	35946505	Transistor, 2SC1345 E	2	
TR104, 204	35947212	Transistor, 2SC2002L	2	
TR402	35947817	Transistor, 2SC2060Q	1	
TR301	35962617	Transistor, 2SD794 Q	1	
TR302	35962912	Transistor, 2SD571L	1	
T401	35963203	Transistor, 2SD669C	1	

DIODES

D101, 102, 201, 202	36002511	Diode, OA-90	4	
D302, 303, 403, 404	360K1009	Diode, 1S2473	5	
D301, 405	36902051	Diode, 1SR34	2	
D401	36902065	Rectifier, SIRBA10	1	
LED1	36904079	LED, GL-2PG1	1	
D402	36905090	Zener Diode, RD-24E	1	

ICs

IC101, 201	37901043	IC, NE645B	2	
IC401	37903049	Hole IC, DN6838	1	
IC402	37904025	IC, HD14001 B	1	

RESISTORS

R302	40003041	R. Solid 2.2k Ω 10% 1/2W	1	
R118, 146, 218, 246	40912163	R. Carbon 390 Ω 5% 1/2W	4	
R403	40912163	R Carbon 560 Ω 5% 1/2W	1	
R307	40913133	R. Carbon 22 Ω 5% 1/4W	1	
R401	40913173	R. Carbon 1.0k Ω 5% 1/4W	1	
R108, 208	409E0016	R. Metal 82k Ω 2% 1/4W	2	
R105, 205	409E0019	R. Metal 56k Ω 1/4W	2	
R309	409H2617	R. Carbon 4.7 Ω 5% 1/4W	1	
R101, 142, 201, 242	409H2625	R. Carbon 10 Ω 5% 1/4W	2	
R136, 236	409H2629	R. Carbon 15 Ω 5% 1/4W	2	
R139, 239	409H2637	R. Carbon 33 Ω 5% 1/4W	2	
R147, 247	409H2644	R. Carbon 62 Ω 5% 1/4W	2	
R143, 243	409H2647	R. Carbon 82 Ω 5% 1/4W	2	

REF. NO.	PART NO.		DESCRIPTION	Q'TY	REMARKS
	TYPE SG	TYPE SC			
R111, 211	409H2649		R. Carbon 100Ω 5% 1/4W	2	
R121, 221	409H2655		R. Carbon 180Ω 5% 1/4W	2	
R402	409H2657		R. Carbon 220Ω 5% 1/4W	1	
R304	409H2659		R. Carbon 270Ω 5% 1/4W	1	
R127, 227, 412	409H2663		R. Carbon 390Ω 5% 1/4W	3	
R102, 104, 202, 204	409H2665		R. Carbon 470Ω 5% 1/4W	4	
R109, 209, 404	409H2671		R. Carbon 820Ω 5% 1/4W	3	
R122, 123, 131, 148, 150, 222, 223, 231, 248, 250, 312, 405	409H2673		R. Carbon 1.0kΩ 5% 1/4W	12	
R140, 240, 303	409H2675		R. Carbon 1.2kΩ 5% 1/4W	3	
R141, 241	409H2677		R. Carbon 1.5kΩ 5% 1/4W	2	
R134, 135, 234, 235	409H2681		R. Carbon 2.2kΩ 5% 1/4W	4	
R110, 113, 210, 213, 314, 315	409H2683		R. Carbon 2.7kΩ 5% 1/4W	6	
R119, 219, 306	409H2685		R. Carbon 3.3kΩ 5% 1/4W	3	
R128, 132, 228, 232	409H2687		R. Carbon 3.9kΩ 5% 1/4W	4	
R302	409H2689		R. Carbon 4.7kΩ 5% 1/4W	1	
R112, 138, 212, 238	409H2695		R. Carbon 8.2kΩ 5% 1/4W	4	
R103, 203, 309, 410	409H2697		R. Carbon 10kΩ 5% 1/4W	4	
R133, 233	409H2699		R. Carbon 12kΩ 5% 1/4W	2	
R115, 215	409H2700		R. Carbon 13kΩ 5% 1/4W	2	
R126, 226	409H2701		R. Carbon 15kΩ 5% 1/4W	2	
R116, 216	409H2702		R. Carbon 16kΩ 5% 1/4W	2	
R406	409H2703		R. Carbon 18kΩ 5% 1/4W	1	
R152, 252	409H2705		R. Carbon 22kΩ 5% 1/4W	2	
R107, 149, 207, 249	409H2707		R. Carbon 27kΩ 5% 1/4W	4	
R308	409H2709		R. Carbon 33kΩ 5% 1/4W	1	
R120, 144, 220, 244	409H2713		R. Carbon 47kΩ 5% 1/4W	4	
R114, 145, 214, 245	409H2715		R. Carbon 56kΩ 5% 1/4W	4	
R129, 229	409H2717		R. Carbon 68kΩ 5% 1/4W	2	
R117, 217	409H2721		R. Carbon 100kΩ 5% 1/4W	2	
R124, 224	409H2727		R. Carbon 180kΩ 5% 1/4W	2	
R125, 225, 310	409H2731		R. Carbon 270kΩ 5% 1/4W	3	
R311	409H2733		R. Carbon 330kΩ 5% 1/4W	1	
R130, 230, 407	409H2735		R. Carbon 390kΩ 5% 1/4W	3	
R106, 206	409H2743		R. Carbon 820kΩ 5% 1/4W	2	
R158, 258, 408, 411	409H2745		R. Carbon 1MΩ 5% 1/4W	4	

CONTROLS

AVR301	41950016	Semi-fixed Resistor 10kΩ B	1	
AVR101, 201	41950023	Semi-fixed Resistor 50kΩ B	1	
AVR303	41950025	Semi-fixed Resistor 5kΩ B	1	
AVR103, 203	41950026	Semi-fixed Resistor 1kΩ B	2	
AVR102, 202	41950027	Semi-fixed Resistor 20kΩ B	2	
VR101, 102	41950403	Volume Control 100kΩ A	2	
AVR304, 305	41952015	Semi-fixed Resistor 100kΩ B	2	

CAPACITORS

C410, 412	42019575	C. Ceramic 500V 0.01μF	2	
C103, 203	42130205	C. Ceramic 50V 220pF	2	
C104, 204	42130207	C. Ceramic 50V 330pF	2	
C101, 201	42130211	C. Ceramic 50V 680pF	2	
C126, 226	42130213	C. Ceramic 50V 0.001μF	2	
C105, 108, 205, 208	42311033	C. Ceramic 50V 33pF	4	
C306, 307	42311073	C. Ceramic 50V 220pF		

REF. NO.	PART NO.		DESCRIPTION	Q'TY	REMARKS
	TYPE SG	TYPE SC			
C002		42606011	C. MP 250V 4700pF	1	
C303		42799031	C. Film 50V 0.022μF	1	
C305		42970152	C. Poly 630V 5600pF	1	
C133, 233		42974003	C. Poly 50V 0.33μF	2	
C302		42974005	C. Film 50V 3300pF	1	
C118,		42974006	C. Film 50V 4700pF	1	
C112, 212		42974013	C. Poly 50V 3900pF	2	
C115, 215		42974014	C. Poly 50V 5600pF	2	
C301		42974015	C. Poly 50V 6800pF	1	
C117, 217		42974020	C. Poly 50V 27000pF	2	
C131, 134, 231, 234		42974021	C. Poly 50V 39000pF	4	
C120, 132, 220, 232		42974022	C. Poly 50V 47000pF	4	
C135, 235		42974024	C. Poly 50V 68000pF	2	
C136, 236		42974025	C. Poly 50V 82000pF	2	
C218		429G4006	C. Poly 50V 4700pF	1	
C113		43980051	C. Elec. 50V 0.47μF	1	
C129, 224, 225, 229		43993024	C. Elec. 16V 10μF	4	
C111, 211		43993041	C. Elec. 25V 100μF	2	
C406		43993045	C. Elec. 25V 1000μF	1	
C403		43993054	C. Elec. 35V 220μF	1	
C401		43993071	C. Elec. 50V 470μF	1	
C107, 207		439H0014	C. Elec. 16V 10μF	2	
C122, 222		439H0047	C. Elec. 50V 0.1μF	2	
C123, 223		439H0050	C. Elec. 50V 0.33μF	2	
C213		439H0051	C. Elec. 50V 0.47μF	1	
C102, 202		439H0055	C. Elec. 50V 2.2μF	2	
C109, 209		439H3014	C. Elec. 10V 47μF	2	
C119, 219		439H3016	C. Elec. 10V 220μF	2	
C405		439J3026	C. Elec. 16V 33μF	1	
C139, 239		439J3038	C. Elec. 25V 22μF	2	
C114, 214, 304		439J3041	C. Elec. 25V 100μF	3	
C402, 404		439J3051	C. Elec. 35V 33μF	2	
C127, 227		439J3059	C. Elec. 50V 0.47μF	2	
C309, 407, 408		439J3061	C. Elec. 50V 2.2μF	3	
C138, 238		439J3063	C. Elec. 50V 4.7μF	2	
C106, 110, 116, 121, 124, 125, 128, 130, 137, 140, 206, 210, 216, 221, 228, 230, 237, 240, 308		439J3064	C. Elec. 50V 10μF	19	

MISCELLANEOUS PARTS

1	18404061	Cassette Ornamental	1	
2	18461641	Mech. Button	6	
3	18462841	Push Button S	4	
4	18462851	Push Button L	1	
5	18463191	Volume Knob Ass'y	2	
6	18603671	Sheet	1	
7	18854221	Screw, Ornamental	2	
8	19408371	Lever, Power Switch	1	
9	19409021	Cassette Frame	1	
10	19530051	Cabinet	1	
11	19604452	Spacer, Front Panel	3	
12	19604691	Cover, Knob	1	
13	18404741	Collar	5	
14	18715091	Front Panel	1	

REF. NO.	PART NO.		DESCRIPTION	Q'TY	REMARKS
	TYPE SG	TYPE SC			
15		19409031	Meter Frame	1	
16		19604671	Sheet	1	
17		18290641 18290731	Foot	4	
18		18463211	Knob, Counter	1	
19		19350131	Bottom Plate	1	
20		19530631	Sub Chassis	1	
21		19604771	Insulation Plate	1	
22		19604871	Meter Cushion	4	
23		19529322	Bracket, Remote Switch	1	
24		19529861	Switch Return Lever	1	
25		19529871	Washer	1	
26		19529892	Return Spring	1	
27		65913512	Remote Wire	1	
28		18510843 18513851	Cord Clamper	1	
29		1952943	Bracket, Power Switch	1	
30		19530641 19530901	Rear Panel	1	
31		24280261 18286061	Cord Clamper	1	
32		18504221	Lug	1	
33		19529432	Bracket, PWB	1	
34		19529531	Bracket, Mech.	1	
35		19604681	Tape, Reflector	1	
36		72951801	Mech. Unit	1	
37		19530741	Meter Holder	1	
38		19529411	Heat Sink	1	
101		18854311	Special Screw M4 x 6	6	
102		18854321	Special Screw M3 x 6	2	
103		24851541	FT x 3 x 6 x 15BF	7	
104		91053022	CFIMS 3 x 5 x 15CF	3	
105		91490401	SIWA 4 x 15BF	2	
106		24851801	Push Rivet	4	
107		23850961	Special Screw 2.6 x 5	2	
108		24851551	FT 3 x 8 x 15BF	3	
109		24851561	FT 3 x 10 x 15BF	4	
110		18854131	Special Screw	2	
111		91012316	CPIMS 2.6 x 4 x 3KF	2	
112		24851801	Push Rivet	2	
113		91053031	CFIMS 3 x 6 x 15BF	5	
114		91283066	#2 CPTS 3 x 10 x 3KF	4	
115		91303031	#2 CPTS 3 x 6 x 15BF	1	
116		91013031	CPIMS 3 x 6 x 15BF	1	
117		91282321	#2 CPTS 2.6 x 5 x 15BF	1	
118		91013051	CPIMS 3 x 8 x 15BF	3	
119		18852691	PT 4 x 8 x 15BF	2	
120		18852251	Special Screw	2	
121		18853791	Special Screw	2	
201		67950272	Level Meter	1	
202		87676101	Main PWB Ass'y	1	
203		87676301	LED PWB Ass'y	1	
204		45027094 450061006	Power Transformer	1	
205		65901039 -	Voltage Selector	1	
206		70803014 79759115	AC Power Cord	1	
207		87676201	Sub PWB Ass'y	1	
208		65904152 65904099	Push Switch	1	

REF. NO.	PART NO.		DESCRIPTION	Q'TY	REMARKS
	TYPE SG	TYPE SC			
209		72922581	Power Switch PWB Ass'y	1	
210		41950377	Volume 100kΩ A	2	
211		65902066	Slide Switch	1	
212		65904166	Push Switch	1	
213		65913011	Remote Control Switch	1	
214		70905256	Mic. Jack	2	
215		70905257	Headphone Jack	1	
216		71905028	Jack Plate	1	
		18282841	Combination Band	15	
		18286221	Damper Unit	1	
		19518873	Spring, Cassette Holder	2	
		19525242	Damper Arm Ass'y	1	
		19529351	Cassette Lid Ass'y	1	
		19530661	Cassette Backup Plate	1	
L301		61904412	OSC Coil (Metal)	1	
L103, 203		61911110	Coil RC-122J	2	
L101, 201		61911111	Coil RC-152J	2	
L102, 202		61911113	Coil RC-222J	2	
CP101, 201		61911135	Filter 19kHz	2	
CP102, 202		61911136	Filter	2	

PACKING MATERIALS

	19800672	Bag B, Polyethylene	1	
	19804061	Sheet, Protection	2	
	19805122	Filler, Carton	2	
	19805131	Bag B, Polyethylene	1	
	19805451	Gard, Carton	2	
	19805501	Carton Box	1	

REF. NO.	PART NO.		DESCRIPTION	Q'TY	REMARKS
	TYPE SG	TYPE SC			
			Mechanism Unit (T-244)	1	
1		18286221	Damper Unit	1	
2		19525242	Damper Arm Ass'y	1	
3		19529371	Damper Mounting Bracket Ass'y	1	
6		65907044	Leaf Switch	1	
7		18990381	Coil Ass'y	1	
8		19980011	Kick Lever Ass'y	1	
9		19980021	Nylon Washer	1	
10		65907050	Leaf Switch	1	
11		19980031	Motor Bracket	1	
12		19980041	Motor Rubber	3	
13		79752050	Motor with Pulley, DC14V	1	
14		18990391	Main Belt	1	
15		19980061	RF Clutch Ass'y	1	
16		19980071	Spring, RF Clutch Arm	1	
17		19980081	REC Operation Plate	1	
18		19980091	REC Slide Lever Spring	1	
19		19980101	REC Safety Lever	1	
20		19980111	REC Safety Lever Stopper	1	
21		19980121	REC Safety Lever Spring	1	
23		19518873	Spring, Cassette Tape	2	
24		19529351	Cassette Lid Ass'y	1	
25		19980131	Brake Arm	1	
26		19980141	Brake Shoe	2	
27		19980151	Spring, Brake Arm	1	
28		18990201	Spring Plate, Pack	1	
29		18990111	Chassis Ass'y	1	
30		19980181	Supply Reel Ass'y	1	
31		19980191	Take-up Reel Ass'y	1	
32		19980201	Drive Pulley	1	
33		19980211	Main Plate	1	
34		19980221	Spring, Main Plate	1	
35		19980231	REW Arm	1	
36		19980241	Clamp Ass'y, FF Idler Arm	1	
37		19980251	Take-up Roller	1	
38		19980261	Intermediate Gear	1	
39		19980271	Spring, FF Idler Arm	1	
40		19980281	Nylon Washer	1	
41		19980281	Nylon Washer	1	
42		18990121	Bracket, Flywheel	1	
43		18985951	LE Spring	1	
44		19980311	Metal, Flywheel	1	
45		18990131	Flywheel Capstan	1	
46		18990411	F.L Washer	1	
47		19980341	Collar, Counter Bracket Mounting	1	
48		19529381	Counter Bracket	1	
49		18990421	Counter Belt	1	
50		18290081	Counter	1	
51		19980361	Head Panel	1	
52		18990351	Head Panel Spring	1	
53		18990361	Head Panel Spring (L)	1	
54		19980391	RC Spring	1	
55		18990371	Head Panel Collar	1	
56		18990471	Head Brock	1	
57		19980421	Spring, Record/Playback Head	1	

REF. NO.	PART NO.		DESCRIPTION	Q'TY	REMARKS
	TYPE SG	TYPE SC			
58		79751075	Erase Head	2	
59		79751078	Record/Playback Head	1	
60		19529361	Cassette Bottom Plate Ass'y	1	
61		19980431	Arm Lever	1	
62		18990441	Pinch Roller Ass'y	1	
63		19980451	Pinch Roller Spring	1	
64		19980461	Play Slide Lever	1	
65		19980471	Collar, Play Slide Lever	1	
66		18990321	PAUSE Slide Lever Ass'y	1	
67		19980491	Spring, PAUSE Slide Lever	1	
68		19980811	Thrust Spring	1	
69		19880511	PAUSE Lever	1	
70		19980521	Spring, PAUSE Lever	1	
71		18990171	Nylon Washer	1	
72		19980541	Auto Lever	1	
73		19980551	Collar, Auto Lever	1	
74		19980561	Collar, Eject Slide Lever	1	
75		19525221	Eject Slide Lever	1	
76		19980561	Collar, Eject Slide Lever	1	
77		19980601	Push Button Operation Plate Ass'y	1	
78		19980611	REC Operation Plate	1	
79		19980621	Spring, Push Button Operation Plate	1	
80		19980631	Spring, Operation Plate	1	
81		19980571	Push Button Frame	1	
82		19980641	Auto Lever Spring	1	
83		19980581	Push Button Frame Shaft	1	
84		19980651	Cord Clamper (E)	1	
86		19525251	Lid Arm (L)	1	
87		19525261	Lid Arm (R)	1	
88		18990451	Lid Spring	1	
89		18553641	Special Washer	2	
90		19525371	Push Button Lever	5	
91		19525631	Push Button Lever (P)	1	
92		19980591	Spring, Push Button Lever	6	
93		18985501	REW Spring Plate	1	
94		18985511	PAUSE Kick Lever	1	
95		19980841	REW Stopper	1	
96		19986121	RC Slide Lever	1	
97		19983351	Spring, RC Slide Lever	1	
98		18986011	Cassette Guide (L)	1	
99		18986071	Cassette Guide (R)	1	
100		19980401	Collar	1	
101		18990501	Back Tension Spring	1	
102		19983331	Collar	1	
103		19983341	Stopper B	1	
109		18985981	Collar, Erase Head	1	
110		19529901	Stud	1	
111		19529841	Switch Push Lever	1	
112		19529851	Over Stroke Lever	1	
113		19529881	Over Stroke Spring	1	
501		23850921	Special Screw	2	
502		91012311	Screw, CPIMS x 2.6 x 4 x 15BF	1	
505		91112321	Screw, CBIMS x 2.6 x 5 x 15BF	1	
506		91012311	Screw, CPIMS x 2.6 x 4 x 15BF	1	

REF. NO.	PART NO.		DESCRIPTION	Q'TY	REMARKS
	TYPE SG	TYPE SC			
507		18853661	Special Screw	3	
508		91012311	Screw, CPIMS x M2.6 x 4 x 15BF	1	
509		91012311	Screw, CPIMS x M2.6 x 4 x 15BF	2	
511		91012016	Screw, CPIMS x M2 x 4	2	
512		91012311	Screw, CPIMS x 2.6 x 4 x 15BF	1	
513		18851081	E ring 4.0	1	
514		91012372	Screw, CPIMS x 2.6 x 12 x 15BF	1	
516		91012311	Screw, CPIMS x 2.6 x 4 x 15BF	1	
517		91053021	Screw, CPIMS x 3 x 5 x 15BF	2	
518		91012341	Screw, CPIMS x 2.6 x 8 x 15BF	2	
519		91112321	Screw, CPIMS x 2.6 x M2 x 8	1	
521		91112321	Special Screw	2	
522		18853631	Special Screw	1	
523		18853631	Special Screw	1	
524		18851351	E ring 2.5	1	
525		91012321	Screw, CPIMS x 2.6 x 5 x 15BF	1	
526		18853651	Special Washer	1	
527		91012361	Screw, CPIMS x 2.6 x 10 x 15BF	1	
528		91012341	Screw, CPIMS x 2.6 x 8 x 15BF	2	
529		91012321	Screw, CPIMS x 2.6 x 5 x 15BF	1	
530		18851071	E ring 3.2	1	
531		18850741	E ring 2.3	2	
532		91012321	Screw, CPIMS x 2.6 x 5 x 15BF	2	
533		91053021	Screw, CFIMS x 3 x 5 x 15BF	2	
534		91052316	Screw, CFIMS x 2.6 x 5 x 3KF	4	
535		91510201	Collar	1	
536		91012312	Screw, CPIMS x 2.6 x 4 x 15CF	1	
537		18853611	E ring 2.0	2	
538		91540201	Screw, #2STLWA x 2 x 15BF	1	
539			Screw, CPIMS x 2 x 5 x 15BF	1	
540			Washer	1	
541			Screw, M2 x 4	2	
542			Screw, M2 x 8C	1	
543			Washer	1	
544			Nyron Washer $\phi 2 \times \phi 5 \times \phi 0.2$	1	
545			Screw, M2.6 x 6	1	
548			Screw, M2.6 x 4	1	
549		18953611	E ring 2.0	1	
550			Screw, CPIMS 2.6 x 6 x 15BF	1	
551		91510262	Screw, PIWA 2.6 x 15CF	1	
552		23850961	Special Screw (2.6 x 5)	1	

