

# Nikko Audio

Nikko Electric Corp. of America, 16270 Raymer Street Van Nuys, California 91406/(213) 988-0105

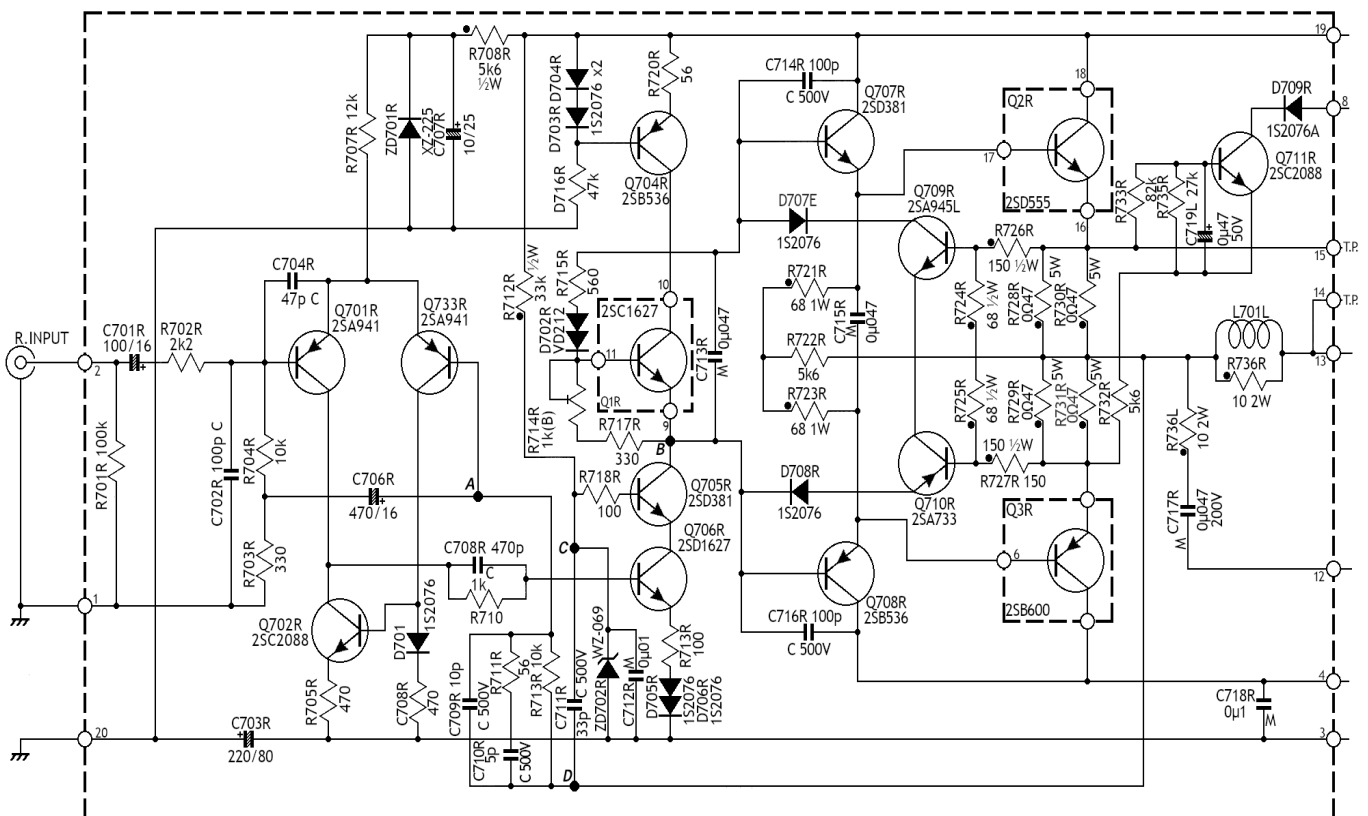
PAGE 1 of 2

## SERVICE!! BULLETIN

### MODIFICATION FOR THE ALPHA II AMP. EFFECTIVE

IMMEDIATELY, in order to modify the circuits,  
please follow the following steps for all in - warranty  
repairs before returning to customer,

1. Disconnect (cut) positions C710 and C709 from the circuit.
2. Add 5pfd cap. between test points A and B (see diagram),
3. If C711 is valued at 33 pfd, add one more 33pfd cap.  
in parallel with C711, (test points C and D.)  
another version (replacement of 56ohm res.) of diagram  
follows on the second page of this bulletin.

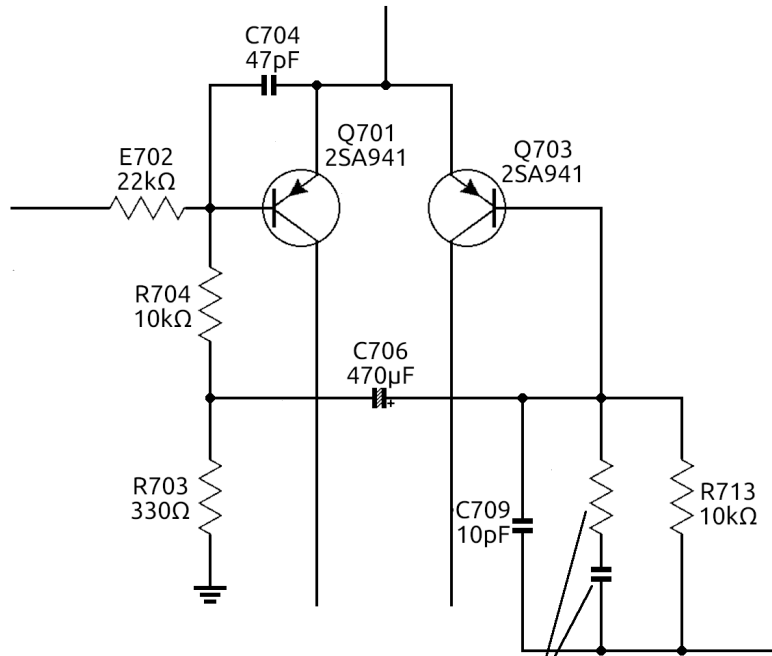


- Connect 5pfd cap. to test points A and B
- Connect 33pfd cap. to points C and D

# Nikko Audio

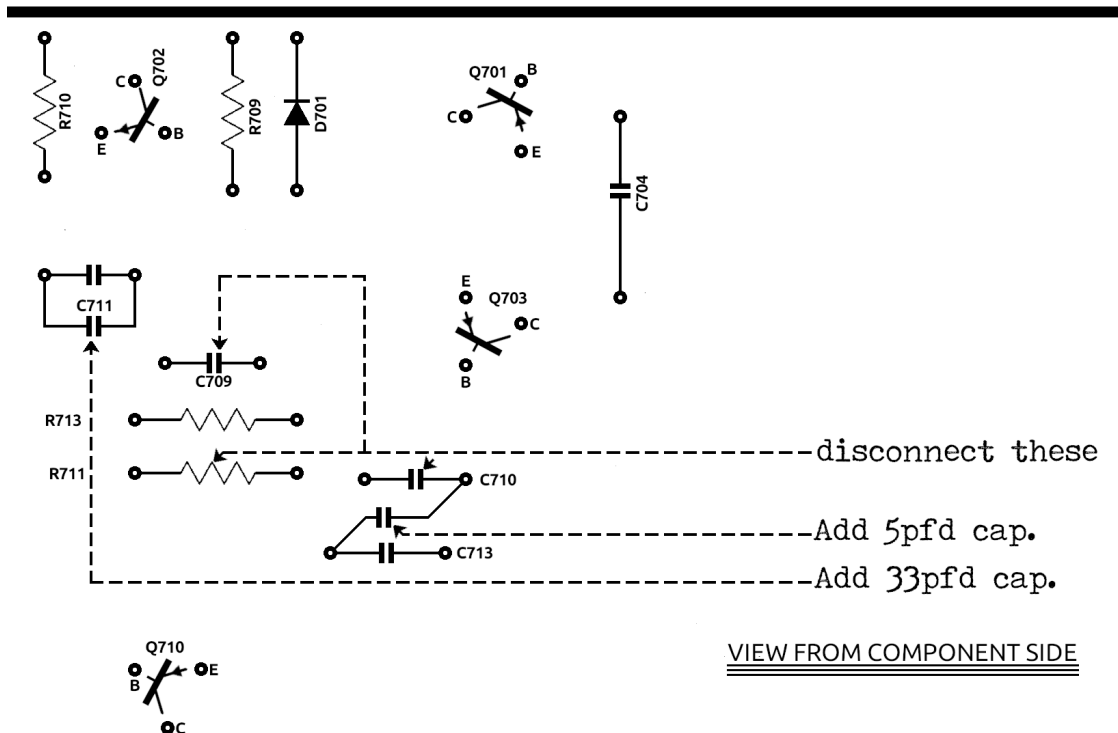
Nikko Electric Corp. of America, 16270 Raymer Street Van Nuys, California 91406/(213) 988-0105

PAGE 2 of 2



SCHEMATIC DIAGRAM

R711 56Ω  
C710 5pF disconnect these



NIKKO SERVICECENTRE

Please reply to: PO Box 7878 Van Nuys, CA 91409