

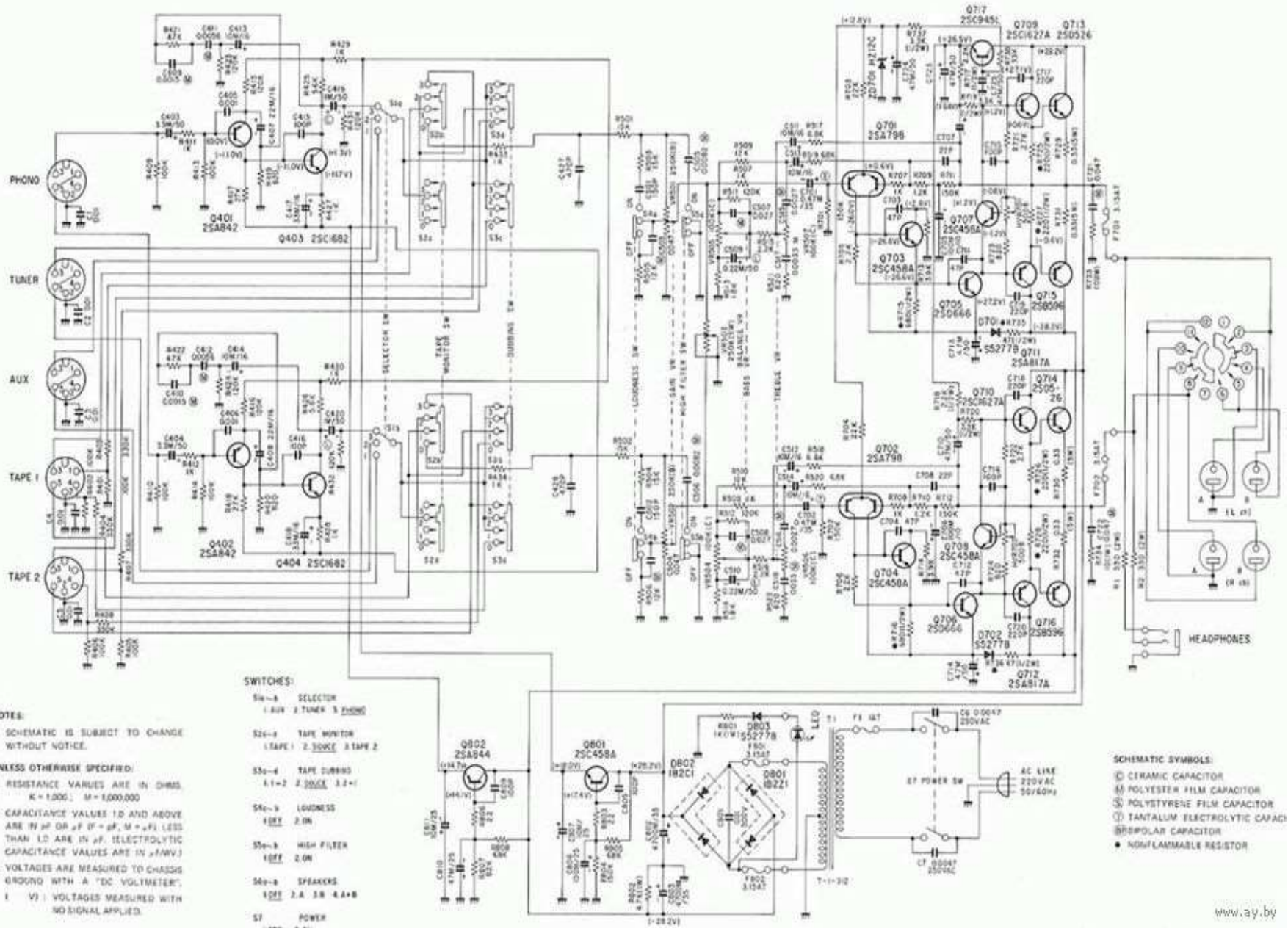
NOTES:

1. SCHEMATIC IS SUBJECT TO CHANGE WITHOUT NOTICE.
- UNLESS OTHERWISE SPECIFIED:
2. RESISTANCE VALUES ARE IN OHMS, K = 1,000; M = 1,000,000
3. CAPACITANCE VALUES 1.0 AND ABOVE ARE IN μ F OR μ F = μ F, M = μ F, LESS THAN 1.0 ARE IN μ F. ELECTROLYTIC CAPACITANCE VALUES ARE IN μ F(V.V.)
4. VOLTAGES ARE MEASURED TO CHASSIS GROUND WITH A "DC VOLTMETER".
1 V) VOLTAGES MEASURED WITH NO SIGNAL APPLIED.

SWITCHES:

- S1-8 SELECTOR
1-AUX 2-TUNER 3-PHONO
- S2-8 TAPE MONITOR
1-TAPE 2-30KHZ 3-TAPE 2
- S3-4 TAPE DURING
1-1-2 2-30KHZ 3-2-1
- S4-3 LOWNESS
1-1KX 2-0N
- S5-3 HIGH FILTER
1-1KX 2-0N
- S6-8 SPEAKERS
1-1KX 2-A 3-R 4-A+B
- S7 POWER

- SCHEMATIC SYMBOLS:**
- ⊖ CERAMIC CAPACITOR
 - ⊖ POLYESTER FILM CAPACITOR
 - ⊖ POLYSTYRENE FILM CAPACITOR
 - ⊖ TANTALUM ELECTROLYTIC CAPACITOR
 - ⊖ BIPOLAR CAPACITOR
 - NON-FLAMMABLE RESISTOR



NOTES:

1. SCHEMATIC IS SUBJECT TO CHANGE WITHOUT NOTICE.
2. RESISTANCE VALUES ARE IN OHMS, K = 1,000; M = 1,000,000.
3. CAPACITANCE VALUES 1.0 AND ABOVE ARE IN μF OR μF IF = μF , M = μF ; LESS THAN 1.0 ARE IN pF . ELECTROLYTIC CAPACITANCE VALUES ARE IN $\mu F/WV$.
4. VOLTAGES ARE MEASURED TO CHASSIS GROUND WITH A "DC VOLTMETER".
 1 V) VOLTAGES MEASURED WITH NO SIGNAL APPLIED.

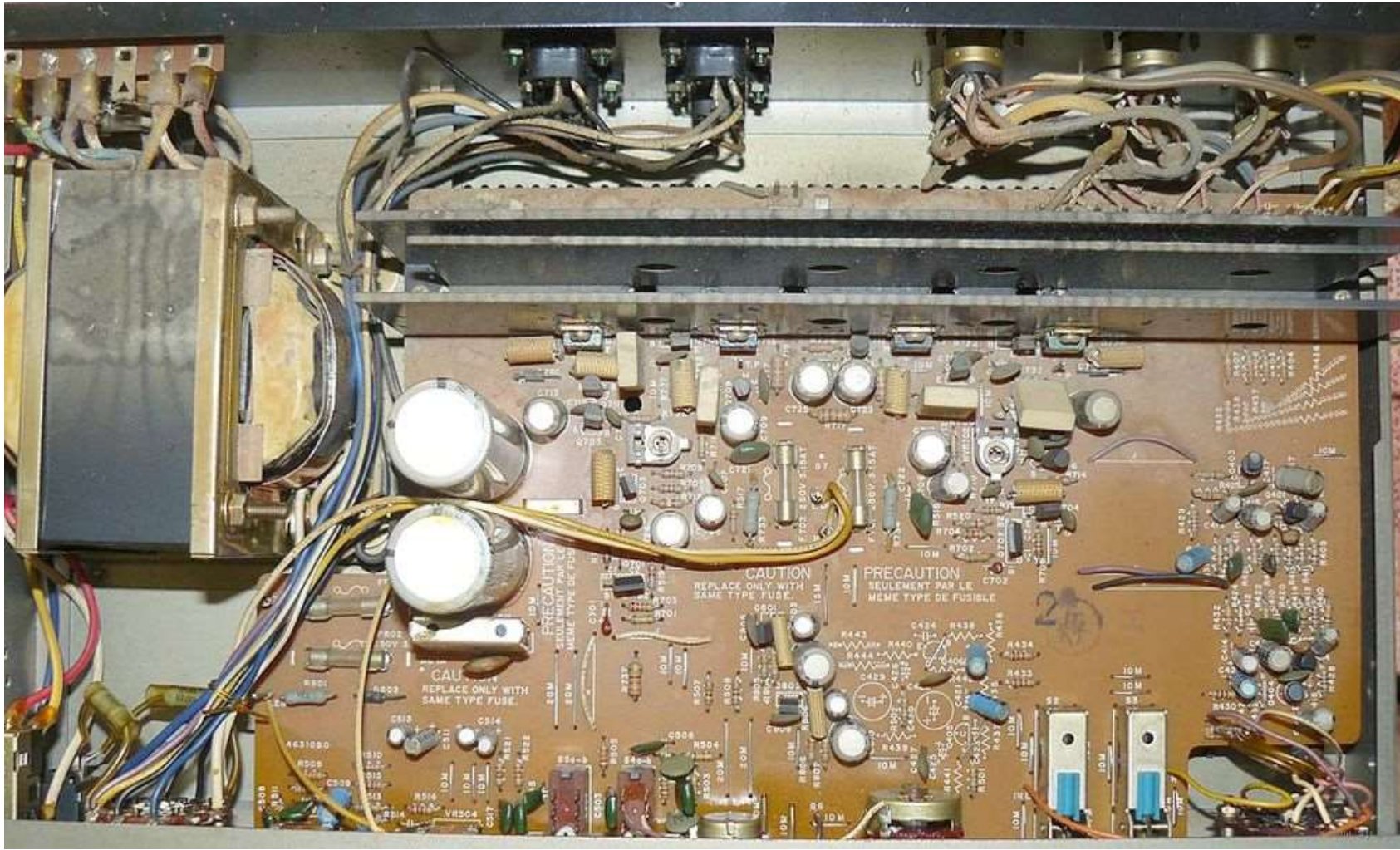
SWITCHES:

- S1-8 SELECTOR
1. AUX 2. TUNER 3. PHONO
- S2-8 TAPE MONITOR
1. TAPE 2. SOURCE 3. TAPE 2
- S3-8 TAPE DUBBING
1. 1-2 2. SOURCE 3. 2-1
- S4-3 LOUDNESS
100% 2.0N
- S5-3 HIGH FILTER
100% 2.0N
- S6-8 SPEAKERS
1. OFF 2. A 3. B 4. A+B
- S7 POWER

SCHEMATIC SYMBOLS:

- ⊖ CERAMIC CAPACITOR
- ⊖ POLYESTER FILM CAPACITOR
- ⊖ POLYSTYRENE FILM CAPACITOR
- ⊖ TANTALUM ELECTROLYTIC CAPACITOR
- ⊖ BIPOLAR CAPACITOR
- NON-FLAMMABLE RESISTOR





ENDSTUFE

Sinusleistung

| | |
|-------------------------------------|-----------------------------------|
| Sinusleistung Pro Kanal | .35W an 4 Ohm |
| Musikleistung (IHF) | .50W an 4 Ohm |
| Klirrfaktor bei 0,8 PA | .0,056% |
| Leistungsbandbreite (IHF) | .7Hz bis 40kHz |
| Dämpfungsfaktor | .(Sign for more than) 50 an 4 Ohm |

VORVERSTÄRKER

Eingangsempfindlichkeit/Impedanz

| | |
|--------------------------|---------------|
| PHONO | .2,2mV/50kOhm |
| RESERVE, TUNER | .150mV/50kOhm |
| BAND, 1, 2 | .150mV/50kOhm |

Übersteuerungsfestigkeit der Phono-Eingänge120mV

Ausgangspegel/Impedanz150mV/3.3kOhm

Frequenzgang

| | |
|------------------------------------|---------------------------------|
| PHONO (RIAA) | .30Hz bis 15kHz (± 0.5 dB) |
| RESERVE, BAND WIEDERGABE | ± 7 dB |

Gehörriichtige Frequenzgangkorrektur (bei -30 dB)
+10dB bei 70Hz
+6dB bei 10kHz

Klangregler

| | |
|-----------------|-----------------------|
| Bässe | ± 10 dB bei 70Hz |
| Höhen | ± 10 dB bei 10kHz |

Fremdspannungsabstand

| | |
|-------------------|-------|
| PHONO | .65dB |
| RESERVE | .75dB |
| TUNER | .75dB |

ALLGEMEINE DATEN

Netzspannung und -frequenz220–240V, 50/60Hz

Leistungsaufnahme140W