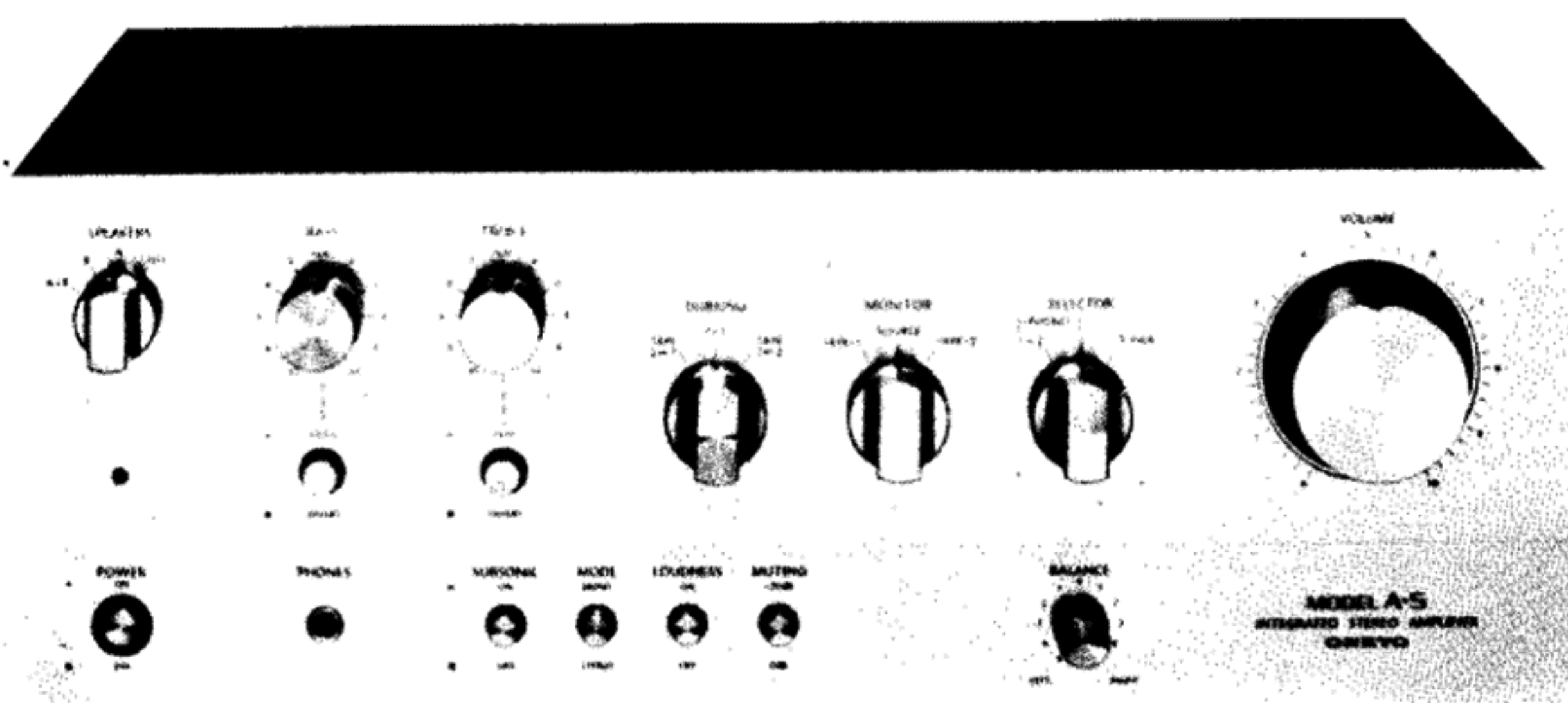


ONKYO SERVICE MANUAL

INTEGRATED STEREO AMPLIFIER

Model A-5



INDEX

DESCRIPTION	Page
Specifications	2
Service Procedures	2
Component Location	3
Chassis Layout	4
NAAF-383a PC Board View	5
Preamp. and Rectifier P.C.B. – Parts List	5
NAMA-384a PC Board View	7
Main Amp. P.C.B. – Parts List	7
Schematic Diagram	9
Packing Procedures	11

ONKYO®
AUDIO COMPONENTS

SPECIFICATIONS

Power Amplifier Section

Continuous	60 watts per channel, min. RMS, at 4 ohms, both channels driven, 1kHz, 0.1% THD. 50 watts per channel, min. RMS, at 8 ohms, both channels, driven, 1kHz 0.1% THD. 50 watts per channel, min. RMS, at 4 ohms, both channels driven, from 20Hz to 20kHz, 0.1% THD. 45 watts per channel, min. RMS, at 8 ohms, both channels driven, from 20Hz to 20kHz, 0.1% THD.
Dynamic	250 watts total at 4 ohms 1% THD. (DIN) 160 watts total at 8 ohms 1% THD. (DIN) 220 watts total at 4 ohms 0.1% THD. 150 watts total at 8 ohms 0.1% THD.
Total Harmonic Distortion	0.1% at rated power 0.08% at 1 watt output
IM Distortion (70Hz:7kHz=4:1)	0.08% at 1 watt output
Frequency Response	2-70,000Hz (± 1 dB)
Tilt of Square Wave	better than 5% at 50Hz
Signal to Noise Ratio	110dB (IHF A NETWORK)
Damping Factor	50 at 8 ohms
Input Impedance	25 k-ohms
Rated Input	1.5 volts
Load Impedance	4-16 ohms

Preamplifier Section

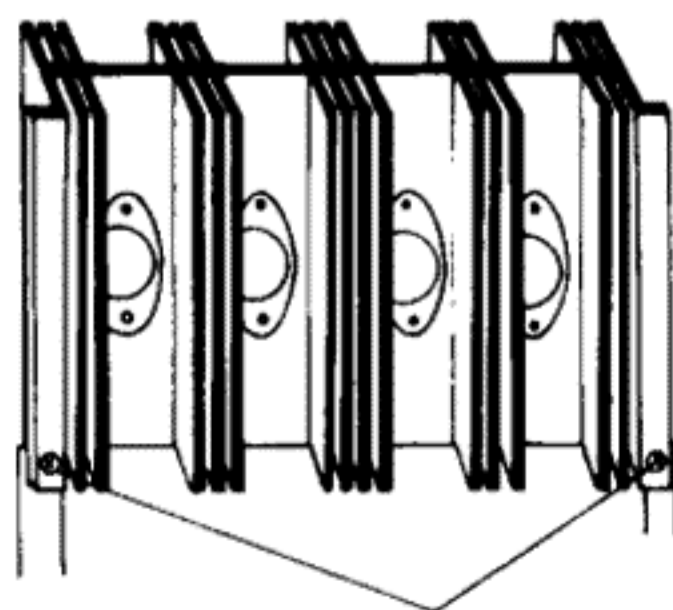
Input Sensitivity & Impedance	PHONO 1 & 2: 2.5mV, 50 k-ohms TUNER: 150mV, 50 k-ohms TAPE PLAY 1 & 2: 150mV, 50 k-ohms
Total Harmonic Distortion	0.08% at rated output
IM Distortion (70Hz:7kHz=4:1)	0.08% at rated output
Frequency Response	PHONO: ± 0.3 dB at 30-15,000Hz TUNER: 15-40,000Hz (+0, -1dB)
Phono Overload	170mV RMS at 1kHz, 0.1% THD
Signal to Noise Ratio	PHONO: 75dB (IHF A NETWORK) TUNER: 90dB (IHF A NETWORK)
Tone Controls	
BASS	± 10 dB at 100Hz
TREBLE	± 10 dB at 10kHz
Output Voltage	1.5 volts
Output Impedance	2.2 k-ohms
Subsonic Filter	10Hz (6dB/oct.)
Muting	-20dB
Loudness (-40dB)	+5dB at 100Hz +5dB at 10kHz
General	
Power Supply	AC 110/120/220/240V, 50/60Hz. (Universal Model) AC 120V, 60Hz (U.S.A. Model)
Dimensions (W x H x D)	444 x 159 x 380mm (17½" x 6¼" x 15")
Net Weight	12.2kg (26.9 lbs.)

Specifications and features are subject to change without notice.

SERVICE PROCEDURES

1. Checking the circuit board of the power amplifier.

- 1) Remove two lower screws from the heat sink.
- 2) Remove two screws on the back of the heat sink.
- 3) Remove two heat-sensor transistors Q613 and Q614 from the heat sink. If they cannot be pulled out, remove two mounting screws from the transistor sockets.
- 4) The check can also be performed by fastening it as shown in Fig. 1 with screws that have been removed.

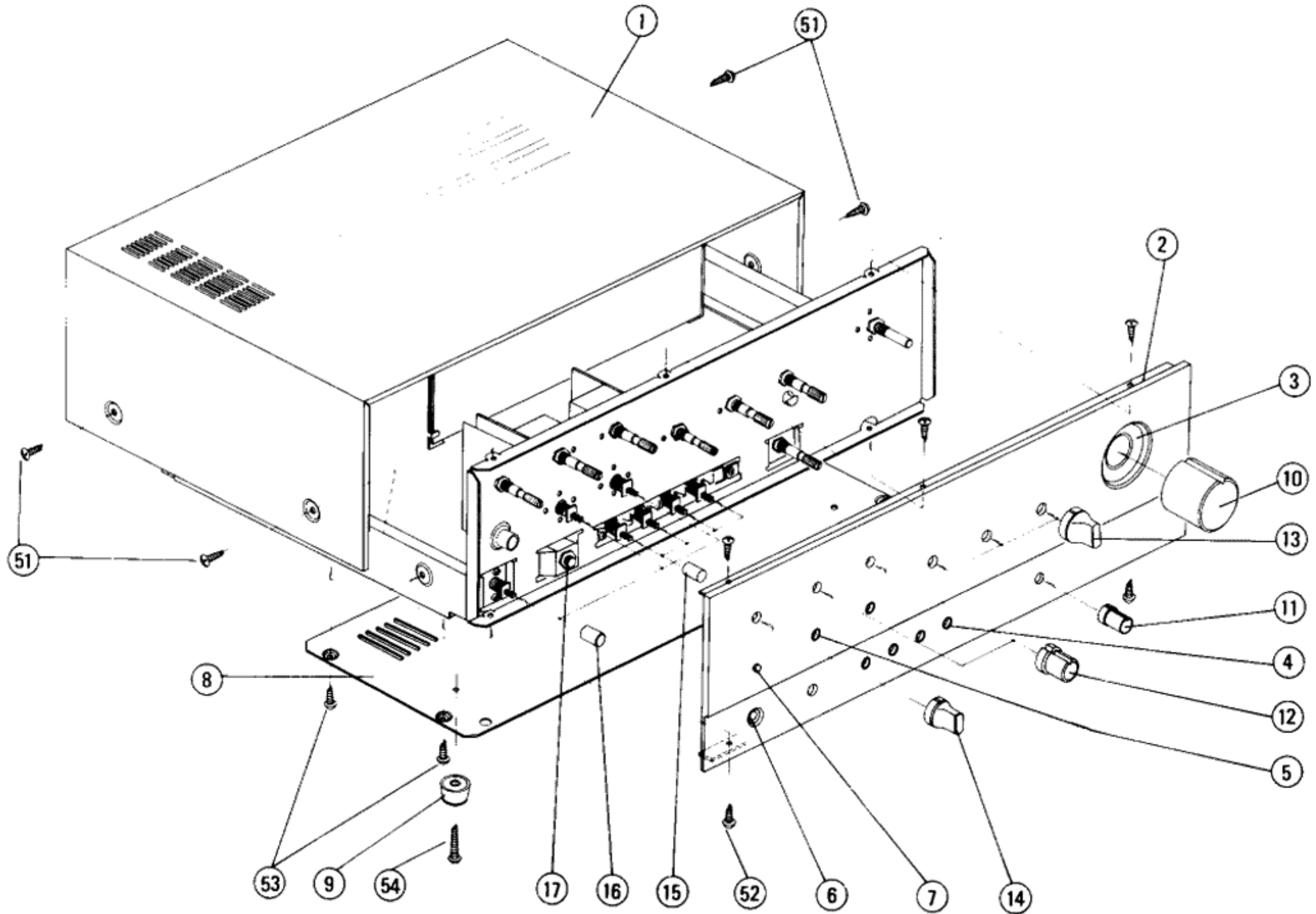


Screw

Fig. 1

2. The screws used to fasten the bus grounding strips and the terminals of the power supply electrolytic capacitor have can influence sound quality. They must be tightened securely.
3. When replacing differential amplifier or push-pull amplifier transistors, be sure that transistors of both channels have the the same h_{FE} ratings.

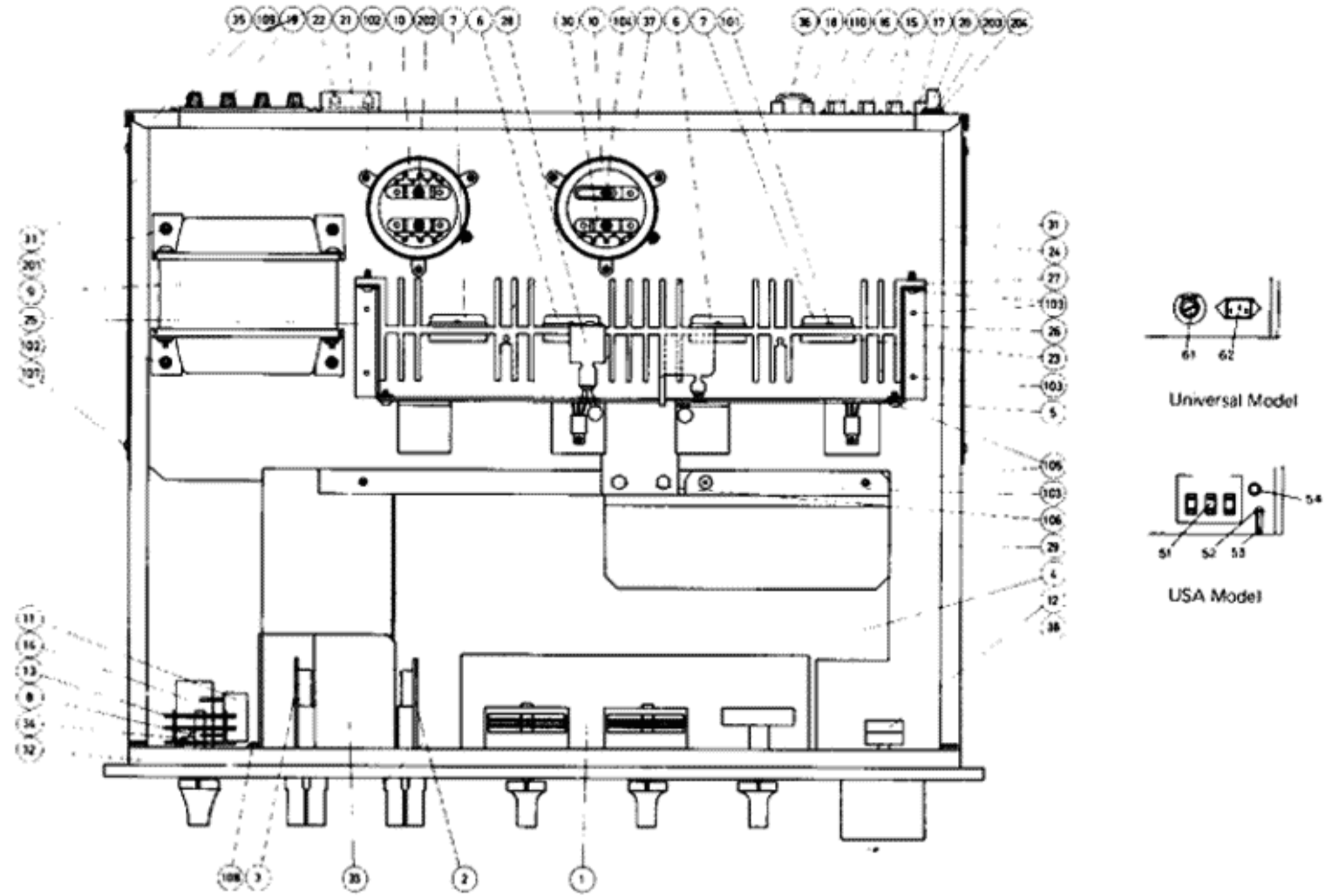
COMPONENT LOCATION



PARTS LIST

REF. NO.	STOCK NO.	DESCRIPTION	REF. NO.	STOCK NO.	DESCRIPTION
1.	28184017A	Top Cover	12.	28320161	TONE Knob
	12809121	Front Panel Ass'y (2-7)	13.	28320158	SELECTOR Knob
2.	2710070	Front Panel	14.	28320162	SPEAKER Knob
3.	27265009A	Ring	15.	28320160	PUSH Knob
4.	27267014	Knob Guide	16.	28320159	POWER Knob
5.	27266014	Shift Knob Guide	17.	250126	Stereo Headphone Jack
6.	27267015	Power Knob Guide			SCREWS
7.	28198502	Facet	51.	838440109	4TTB+10C BC
8.	27170019	Bottom Board	52.	838130062	3STB+6BQ Tapping
9.	280379	Leg	53.	831130082	3STW+8BQ Tapping
10.	28320155	VOLUME Knob	54.	832140122	4STR+12BQ Tapping
11.	28320157	LEVEL Knob			

CHASSIS LAYOUT



PARTS LIST

REF. NO.	STOCK NO.	DESCRIPTION	REF. NO.	STOCK NO.	DESCRIPTION
1.	12835573A	NATM-373a Tape Monitor PCB. Complete	24.	27100017A	Main Chassis
2.	128355821	NATS-382 Part-1 Treble Unit PCB. Complete	25.	27140127	Heat Sink Bracket L
3.	128355822	NATS-382 Part-2 Bass Unit PCB. Complete	26.	27140128	Heat Sink Bracket R
4.	12809583A	NAAF-383a Preamp. PCB. Complete	27.	27160022	Heat Sink
5.	12809584A	NAMA-384a Main Amp. PCB. Complete	28.	27140085A	Transistor Socket
6.	2200373 or 2200372	2SD427 (O) or Power Amp. Transistor	29.	27150055A	Shielded Plate B
7.	2200383 or 2200382	2SB557 (O) or Power Amp. Transistor	30.	25060025	7P Terminal
8.	210015A	PL6.3V0 05AW-3UL RED Power Illumination Lamp	31.	27115014A	Side Bracket
9.	230192	NPT-611D Power Transformer	32.	27110034A	Front Bracket
10.	3504093	13,000µF 50V Elect. Capacitor	33.	27150048	Shielded Plate
11.	3504012	10000pF 125V UL. Capacitor	34.	270611	Lamp Cover
12.	5177018	N24RGR21C100KBT30M Variable Resistor, VOLUME	35.	27120072	Back Panel
13.	25030078	NRS-244-30Y Rotary Switch, SPEAKER SELECTOR	36.	25055015	Connection plug
14.	25035050	NPS-111-L15P Push Switch, Power	37.	28140024	Cushion
15.	250170	NTM-2WPBL-E1 Terminal	51.	25050015	NSCT-6P01 AC Outlet
16.	25045023	NPJ-2PRBL02 Terminal	52.	252049	4A ST-6 Main Fuse
17.	25045022	NPJ-6PRBL01 Terminal	53.	253072	AS-UC Power Supply Cord
18.	25045029	NPJ-6PRBL07 Terminal	54.	270025	SR-3P-4 Strainrelief
19.	25060023	NTM-4PRMN01 Terminal	101.	82113015	3P+15F-N Pan Head Screw
20.	25060008	GND. Terminal	102.	833140087	4TTP+8S Screw
21.	25050004	Fuse Holder with a cover	103.	834140102	4STS+10BQ Tapping Screw
22.	252014	4A-T Fuse, Speaker	104.	801150	LW4+8BS-Ni Hex Volt
23.	250249	M-1614 Transistor Socket	105.	831130082	3STW+8BQ Tapping Screw
			106.	84114010	B4 x 10 Hex Volt
			107.	831130082	3STW+8BQ Tapping Screw
			108.	834130062	3STS+6BQ Tapping Screw
			109.	834430102	3STS+10BQ BC Tapping Screw
			201.	87614012	W4 x 12F Washer
			202.	871440	SW-4BC Spring Washer
			203.	87613010	W3 x 10F Washer
			204.	87313006	M-3-B Toothed Lock Washer
			110.	82143006	3P+6F-N BC Pan Head Screw

The Universal type differs from the U.S.A. model at the following points.

REF. NO.	STOCK NO.	DESCRIPTION	REF. NO.	STOCK NO.	DESCRIPTION
9.	230195	NPT-611ADGQ Transformer-Power	51~54.	none	
11.	3500052	PMF271Y510CEE IS Capacitor	56.	25050018	PA-125 3P Inlet
14.	25035051	NPS-121-L16P POWER Push Switch	57.	252003	3A-T Main Fuse
35.	27120073	Back Panel	58.	250186	S-I7205-7 VS Socket

NAAF-383a PC BOARD VIEW

Preamp., Rectifier and Transient Killer Bottom View

EQ./TONE AMP. AND TRANSIENT KILLER PC BOARD-PARTS LIST

CIRCUIT NO.	STOCK NO.	DESCRIPTION
ICs		
Q201, Q202	222422	TA-7136P(ONK) Equalizer Amp.
Q301, Q302	222423	TA-7136P Tone Amp.
Transistors		
Q303, Q304	2210711	2SC1636(1) or Transient Killer
	2210712	2SC1636(2) or
Q501	2211062	2SC1509(Q) or Rectifier
	2211063	2SC1509(R) or
Q502	2211072	2SA777(Q) or Rectifier
	2211073	2SA777(R) or
Q701	2210671	2SC1681(0-2) Transient Killer
Q001, Q002	2200373	2SD427(O) or Power Amp.
	2200372	2SD427(R) or
Q003, Q004	2200383	2SB557(O) or Power Amp.
	2200382	2SB557(R) or
Diodes		
D501, D502	223920	WZ-177 Zener
D701~D704	223815	SR3AM-6B or
	223840	GP-25G or
D705	223802	1S1885
D706, D707	223829	1S1887
D708, D709	223106	1S1554

CIRCUIT NO.	STOCK NO.	DESCRIPTION
Capacitors		
C201, C202	390480227	2.2 μ F 50V LD
C209, C210	390882217	220 μ F 50V SLD
C211, C212	374121824	1800pF \pm 5% 50V DE
C213, C214	374121624	1600pF \pm 5% 50V DE
C215, C216	374121224	1200pF \pm 5% 50V DE
C219, C210	390480107	1 μ F 50V LD
C225, C226	352753311	330 μ F 25V Elect.
C303, C304	390480227	2.2 μ F 50V LD
C317, C318	390480107	1 μ F 50V LD
C319, C320	390480477	4.7 μ F 50V LD
C321, C322	390486897	0.68 μ F 50V LD
C501, C502	352762211	220 μ F 35V Elect.
C507, C508	352783301	33 μ F 50V Elect.
C705, C707	352782211	220 μ F 50V Elect.
C706	352783311	330 μ F 50V Elect.
Resistors		
R305	5148011	N16RGL250KMN30, Variable
R503, R504	441525114	510 Ω 1/2W, Metal Oxide Film
R701	48195615	560 Ω 3W, Cement
R702	441721224	1.2k Ω 2W, Metal Oxide Film
R711, R712	441623914	390 Ω 1W, Metal Oxide Film

CIRCUIT NO.	STOCK NO.	DESCRIPTION
S301~S304		Push Switches
	25035041	NPS-422-L06, Mode/Muting/Loudness/Subsonic
		Ground Plate
	27300059	BUS-PRE.

NOTES:**Capacitors**

DE: Non-Inductive Polyester Film Capacitor
LD, SLD: Low Leakage Current Type Electrolytic Capacitor.

NAMA-384a PC BOARD VIEW

Main Amp. Bottom View

MAIN AMP. PC BOARD-PARTS LIST

CIRCUIT NO.	STOCK NO.	DESCRIPTION
Transistors		
Q601, Q602	2210754	2SC1775A(D) or Differential Amp.
Q603, Q604	2210755 or	2SC1775A(E)
Q605, Q606	2211084	2SA872A(D) or Differential Amp.
Q607, Q608	2211085 or	2SA872A(E)
Q609, Q610	2211032	2SA912(Q) or Driver
	2211033 or	2SA912(R)
Q611, Q612	2211022	2SC1885(Q) or Driver
	2211023 or	2SC1885(R)
Q613, Q614	2210743	2SC945(L)(P) Bias Stabilization
	2200364	2SD358(D)
Q615, Q616	2200365 or	2SD358(E) or Complement
	2200354	2SB528(D)
Q617, Q618	2200355 or	2SB528(E) or Complement
Coils		
L601, L602	231001	S-1.3B Load Compensation
Capacitors		
C601, C602	390882207	22 μ F 50V SLD
C605, C606	390883317	330 μ F 50V SLD
C613, C614	374121045	0.1 μ F \pm 10% 50V DE
C615, C616	374122245	0.22 μ F \pm 10% 50V DE
C617, C618	352780331	3.3 μ F 50V Elect.
C619, C620		
Thermistors		
TH601, TH602	4000003	D22A
Resistors		
R633, R634	5221007	R-HK2.2KB3S, Variable, Idling Current Adjust.
R639~R642	451630274	2.7 Ω 1W, Metal
R643~R646	48194795	0.47 Ω 3W, Cement
R647, R648	451730474	4.7 Ω 2W, Metal
R649, R650	451630684	6.8 Ω 1W, Metal
Radiators		
	270187-1	RAD-01
Ground Plate		
	27300062	BUS-MAIN

TAPE MONITOR PC BOARD-PARTS LIST

CIRCUIT NO.	STOCK NO.	DESCRIPTION
Rotary Switches		
S101	25030071	NRS-143-30ZL Tape Selector
S102	25030068	NRS-143-30A Tape Dubbing
S103	25030068	NRS-143-30A Tape Monitor

TREBLE CONTROL PC BOARD-PARTS LIST

CIRCUIT NO.	STOCK NO.	DESCRIPTION
Capacitors		
C401, C402	390882207	22 μ F 50V SLD
C400, C410	374121244	0.12 μ F 5% 50V DE
Variable Resistor		
R401	5148010	N16RGM11C200KRD30 Treble Control
Push Switch		
S402	25035042	NPS-142-L07

BASS CONTROL PC BOARD-PARTS LIST

CIRCUIT NO.	STOCK NO.	DESCRIPTION
Capacitors		
C409, C410	374121244	0.12 μ F 5% 50V DE
Variable Resistor		
R423	5148010	N16RGM11C200KRD30, Bass Control
Push Switches		
S403	25035042	NPS-142-L07

MAIN AMP. ALIGNMENT

NOTES:

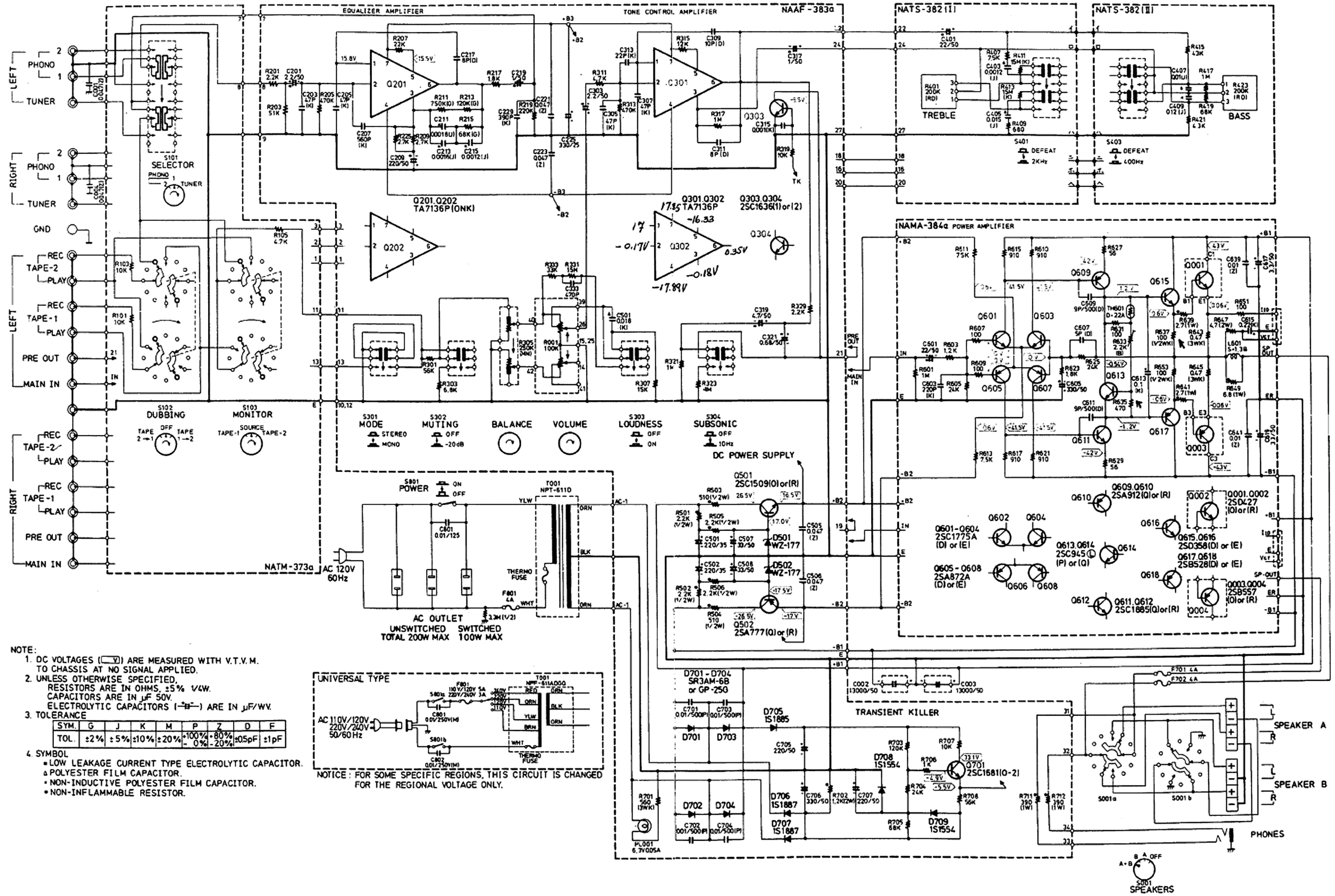
- Set up A-5 as follows:
 SELECTOR TUNER
 TONE SHIFT DEFEAT
 TONE & BALANCE Center
 FILTER/LOUDNESS/DUBBING OFF
 MODE STEREO
 T. MONITOR SOURCE
 SPEAKER OFF
 VOLUME Maximum
 2. Adjust after switching on for 3 minutes.
- Idling current adjustment
 Connect the DC Voltmeter between I_{ID} and V_{CT} terminals
 Adjust the Voltage to 16.5 \pm 2mV with R₆₃₃. (Left channel)
 Adjust the Voltage to 16.5 \pm 2mV with R₆₃₄. (Right channel)

NOTES: When replacing differential amplifier or push-pull amplifier transistors, be sure that transistors of one channel have the same h_{FE} ratings.

Capacitors

DE: Non-Inductive Polyester Film Capacitor
 LD, SLD: Low Leakage Current Type Electrolytic Capacitor

SCHEMATIC DIAGRAM

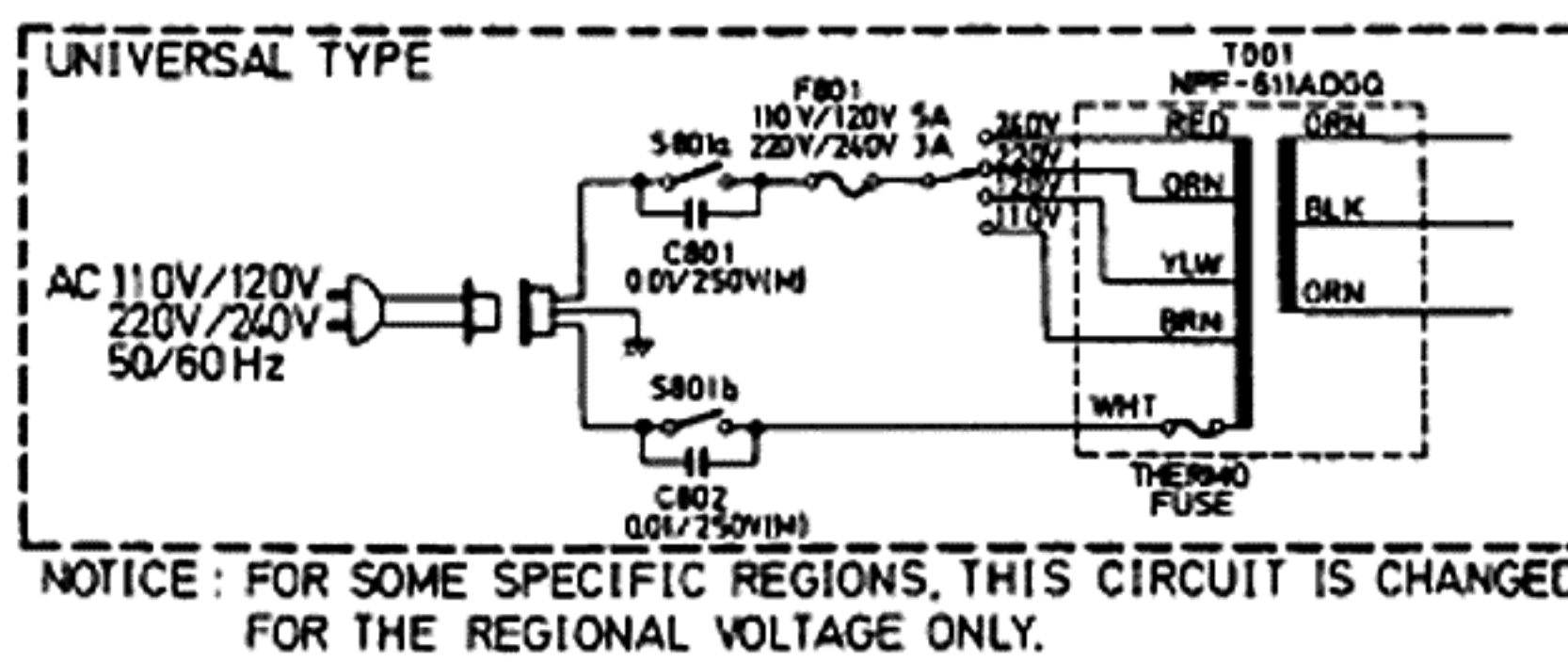


NOTE:

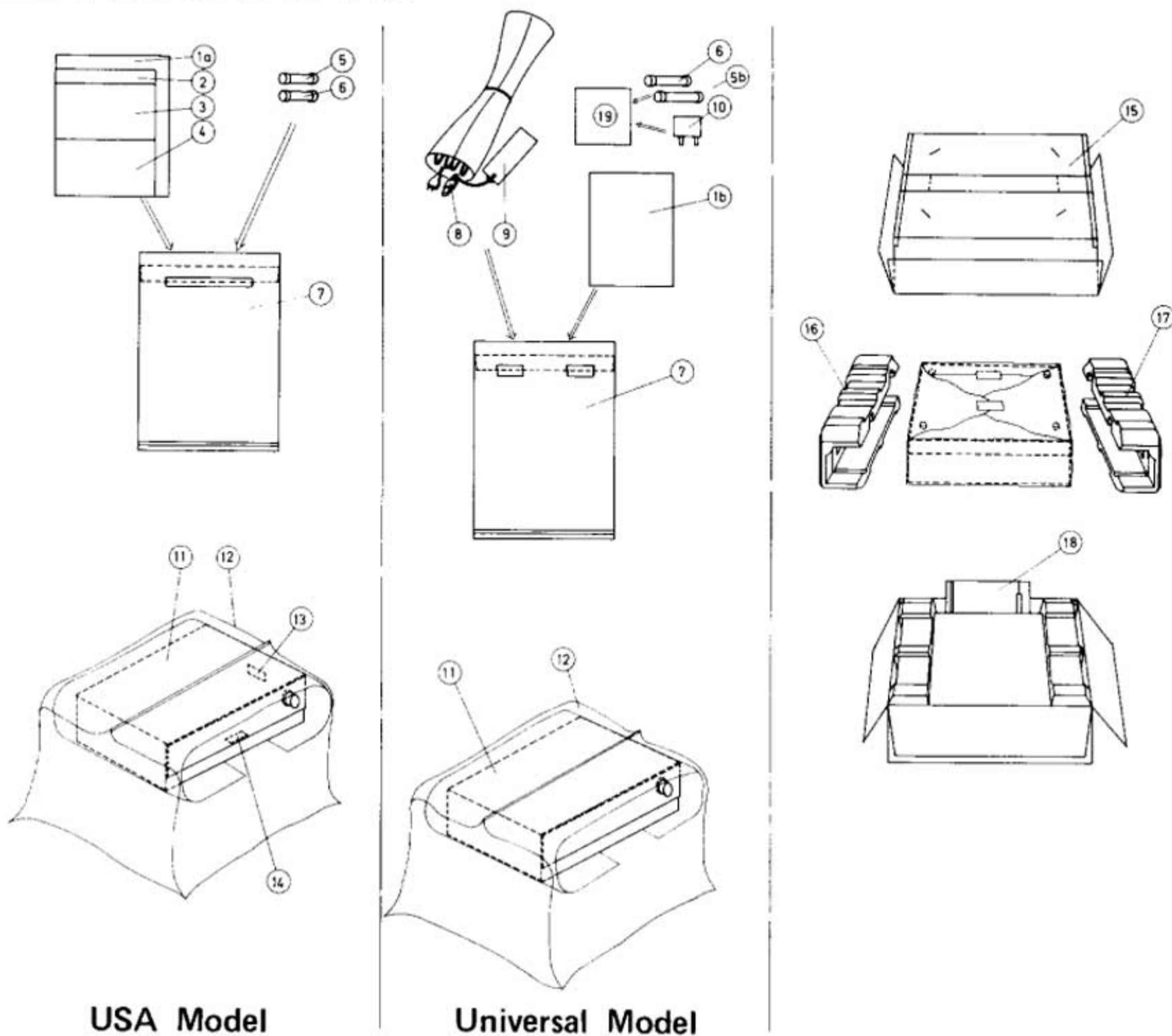
- DC VOLTAGES (V) ARE MEASURED WITH V.T.V.M. TO CHASSIS AT NO SIGNAL APPLIED.
- UNLESS OTHERWISE SPECIFIED, RESISTORS ARE IN OHMS, $\pm 5\%$ 1/4W. CAPACITORS ARE IN μF 50V. ELECTROLYTIC CAPACITORS (E) ARE IN μF /V.V.
- TOLERANCE

SYM.	G	J	K	M	P	Z	D	F
TOL.	$\pm 2\%$	$\pm 5\%$	$\pm 10\%$	$\pm 20\%$	$\pm 100\%$	0%	0%	$\pm 1\text{pF}$

- SYMBOL
 - LOW LEAKAGE CURRENT TYPE ELECTROLYTIC CAPACITOR.
 - POLYESTER FILM CAPACITOR.
 - NON-INDUCTIVE POLYESTER FILM CAPACITOR.
 - NON-INFLAMMABLE RESISTOR.



PACKING PROCEDURES



USA Model

Universal Model

USA Model

- All printed materials and accessory items are placed in a poly bag and taped.
- The AC power cord is wrapped in paper and wound with a rubber band.
- A tag describing the composition of the cabinet is attached to the speaker switch.
- Four shorting pins are inserted in the phono terminals.

Universal Model

- The AC power cord is wrapped in paper and wound with a rubber band.
- There is a voltage tag to which the unit is set attached to the AC power cord.
- All printed materials and accessory items are placed in a poly bag and taped.
- Four shorting pins are inserted in the phono terminals.

PARTS LIST

REF. NO.	STOCK NO.	DESCRIPTION	REF. NO.	STOCK NO.	DESCRIPTION
1a	29340199	Instruction Manual	10	25055018	CV-K-1, Conversion Plug
1b	29340201	Instruction Manual	11	290008	500 x 1000 (m/m), Sheet
2	29358001	Service Station List	12	29100027	850 x 650 (m/m), PolyBag
3	29355046	Caution Card for Warranty Card	13	282969	Caution Label A
4	29365003	Warranty Card	14	293041	Caution Label
5	252049	4A, ST-6, Fuse	15	29050113	Carton Box
5b	252020	5A-T, Fuse	16	29090178	Pad, Left
6	252014	4A-T, Fuse	17	29090179	Pad, Right
7	29100006A	250 x 350 (m/m), Poly Bag	19	29100002	150 x 80 (m/m), Poly Bag
8	253083	Power Supply Cord		250153	Shorting Pin
9	293268	Tag, Voltage		29380025	Tag, Cabinet Composite