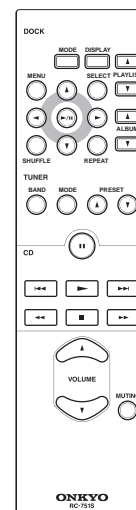
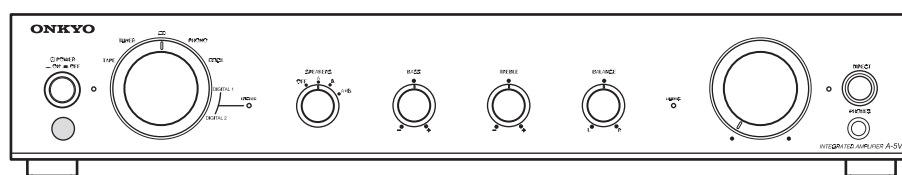


# ONKYO SERVICE MANUAL

## INTEGRATED AMPLIFIER MODEL A-5VL (B)/(S)




RC-751S

### Black and Silver models

BMDC	120V AC, 60Hz
BMMB, SMMB SMDF SMMR	220-240V AC, 50/60Hz

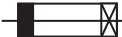
### SAFETY-RELATED COMPONENT WARNING!!

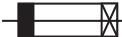
COMPONENTS IDENTIFIED BY MARK  ON THE SCHEMATIC DIAGRAM AND IN THE PARTS LIST ARE CRITICAL FOR RISK OF FIRE AND ELECTRIC SHOCK. REPLACE THESE COMPONENTS WITH ONKYO PARTS WHOSE PART NUMBERS APPEAR AS SHOWN IN THIS MANUAL.

MAKE LEAKAGE-CURRENT OR RESISTANCE MEASUREMENTS TO DETERMINE THAT EXPOSED PARTS ARE ACCEPTABLY INSULATED FROM THE SUPPLY CIRCUIT BEFORE RETURNING THE APPLIANCE TO THE CUSTOMER.

## SERVICE PROCEDURE

### 1. Replacing the fuses

 This symbol located near the fuse indicates that the fuse used is slow operating type. For continued protection against fire hazard, replace with same type fuse. For fuse rating, refer to the marking adjacent to the symbol.

 Ce symbole indique que le fusible utilisé est à lent. Pour une protection permanente, n'utiliser que des fusibles de même type. Ce dernier est indiqué là où le présent symbole est apposé.

REF.NO.	PART NAME	DESCRIPTION	Q'TY	PART NO.	REMARKS	<Notes>
F901	FUSE	3.15A-UL/T-233	1	252323GR	△ <DC>	<DC> : Canadian model
F901	FUSE	1.6A-SE-EAK	1	252073GR	△ <PA>	<MB> : Britain model <MR> : China model

### 2. Setting position before shipment.

(1) Power SW	OFF
(2) Selector	CD
(3) Speaker	A
(4) Bass	Center
(5) Treble	Center
(6) Balance	Center
(7) Volume	Min.
(8) MM/MC	MM position
(9) Tone/Direct	Direct

### 3. Initialize setting

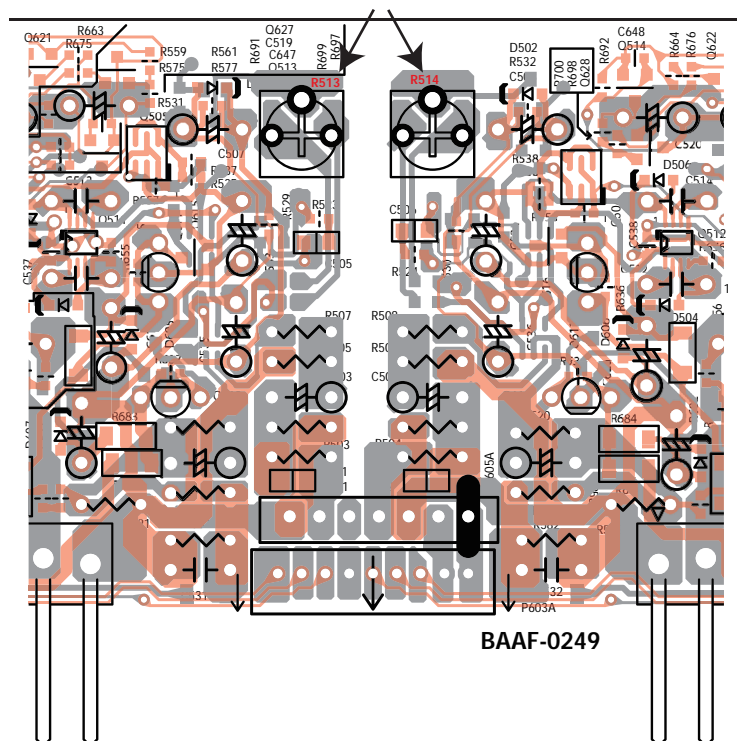
Turn on the unit.  
Press "DIRECT" mode button.

## ADJUSTMENT PROCEDURE

### OUTPUT OFFSET VOLTAGE

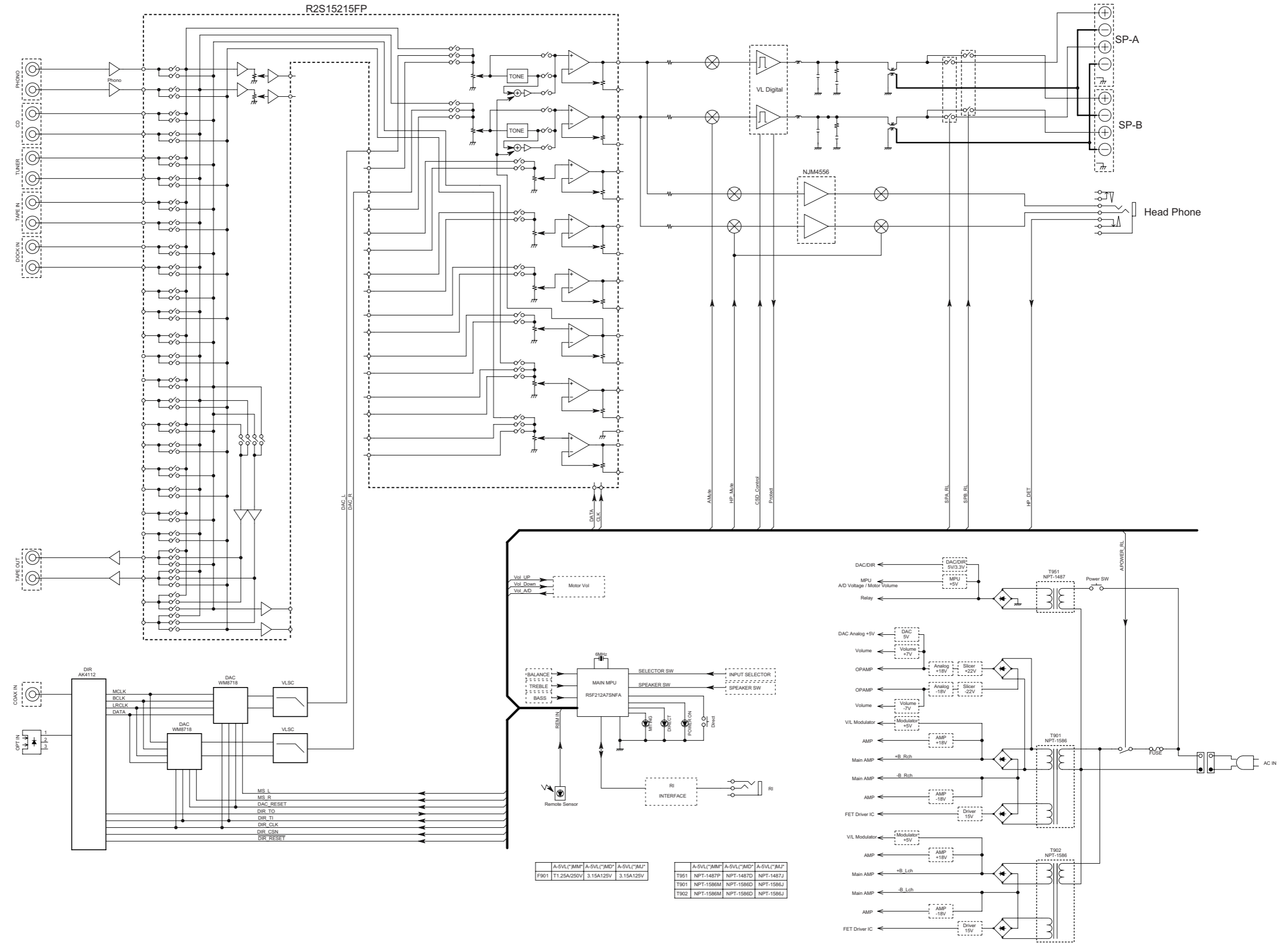
Conditions: Non load, no signal.

1. Set the voltage at L-ch speaker terminal to 0mV +/- 10mVDC by adjusting R513 of BAAF-0249.  
Same as R514 (R-ch).
2. After 2 minutes, set the voltage at speaker terminal to 0mV +/- 10mV again.





BLOCK DIAGRAM



F901	A-5VL(")MM"	A-5VL(")MD"	A-5VL(")MJ"
	T1.25A/250V	3.15A/125V	3.15A/125V

T951	A-5VL(")MM"	A-5VL(")MD"	A-5VL(")MJ"
	NPT-1487P	NPT-1487D	NPT-1487J
T901	NPT-1586M	NPT-1586D	NPT-1586J
T902	NPT-1586M	NPT-1586D	NPT-1586J

SCHEMATIC  
DIAGRAM-1  
DIGITAL AMP.  
SECTION

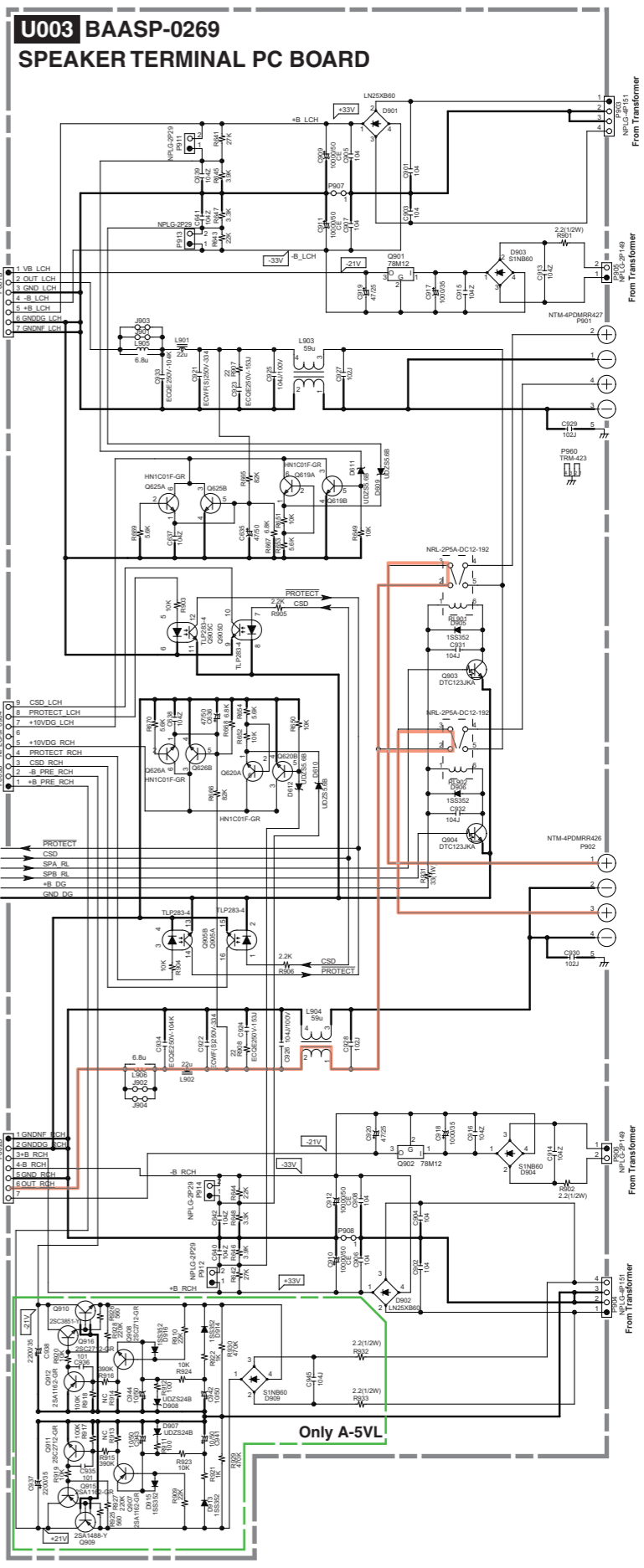
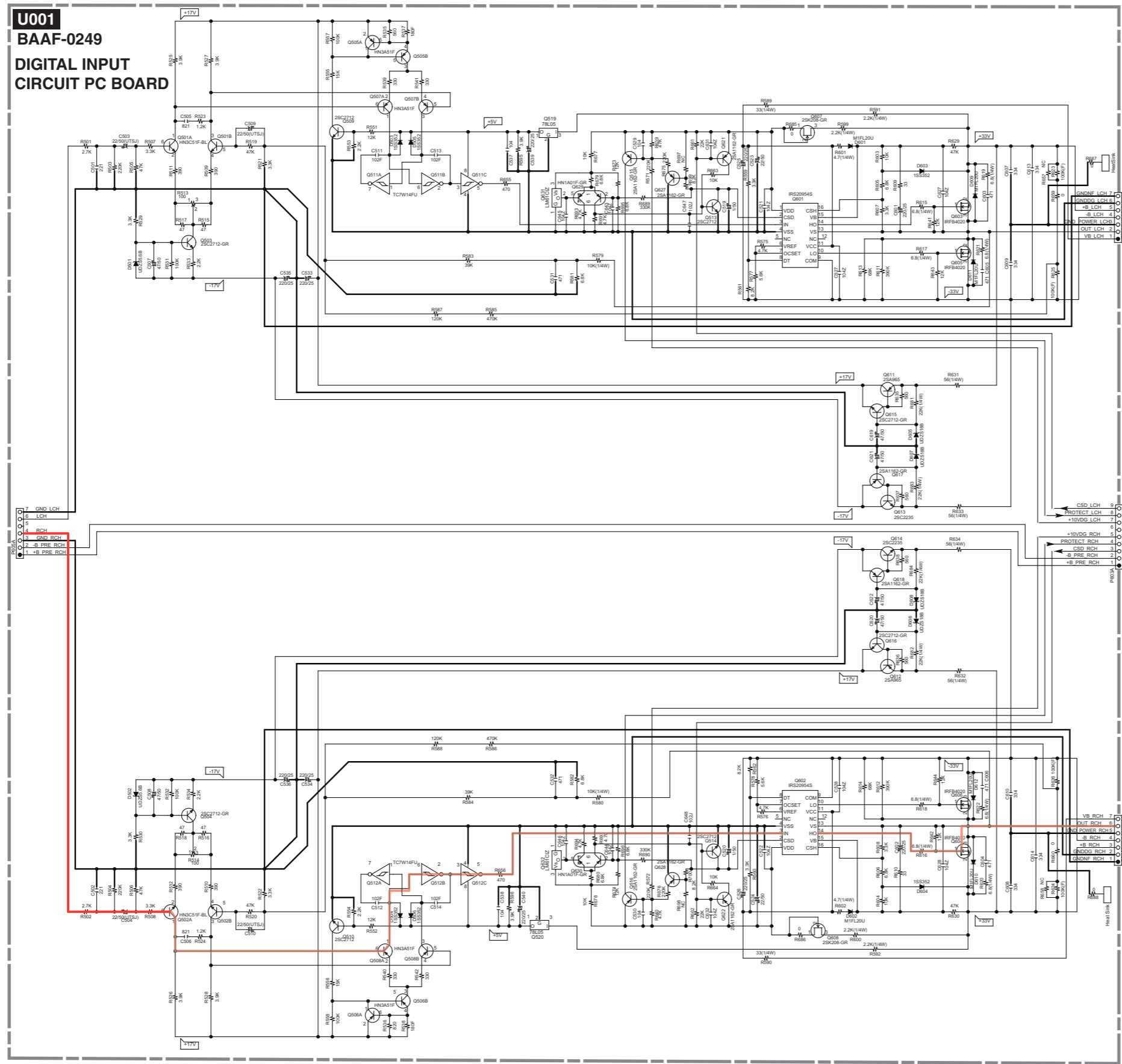
1

2

3

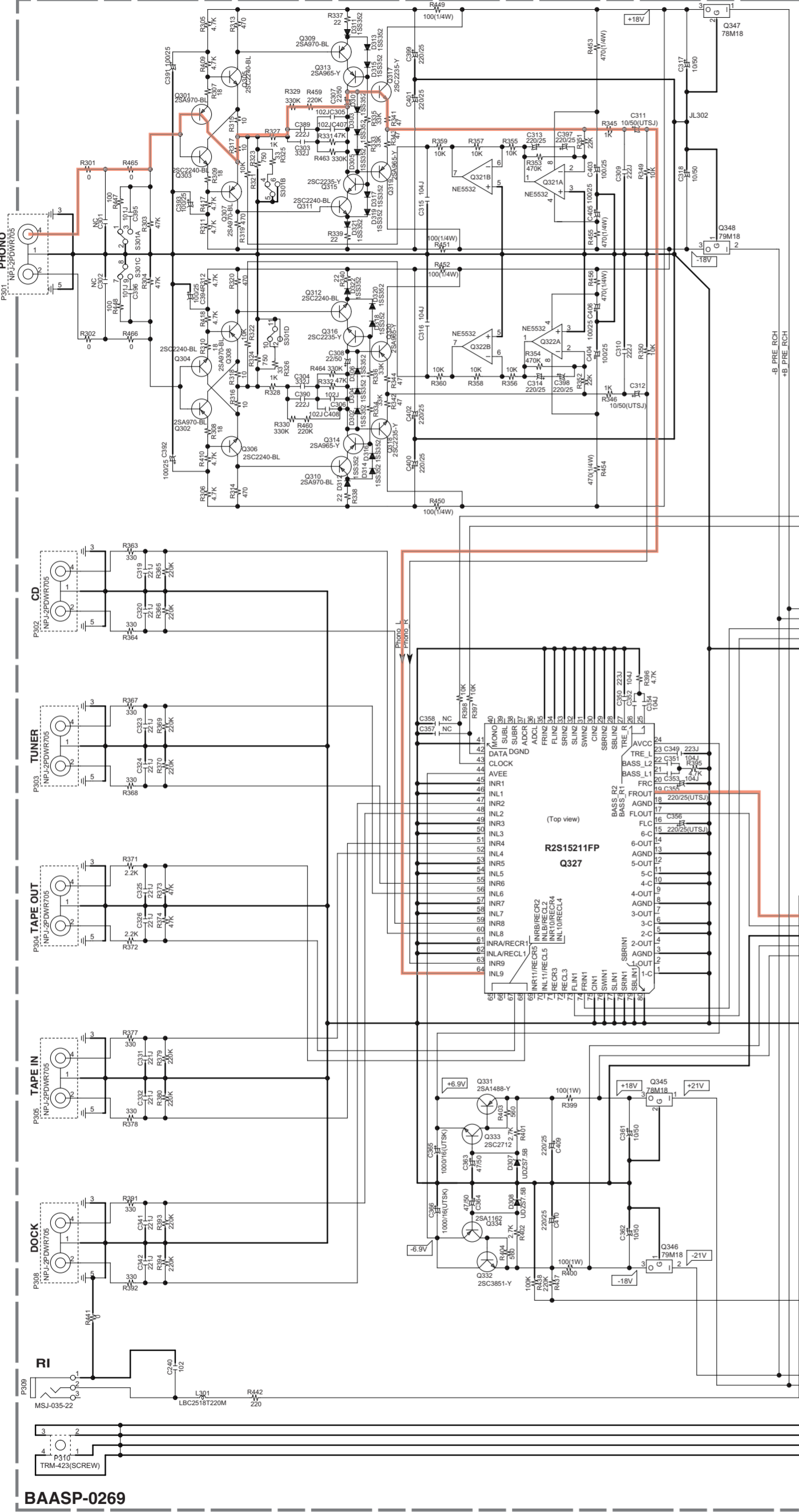
4

5



SCHEMATIC DIAGRAM-2

U003 SPEAKER TERMINAL PC BOARD BAASP-0269

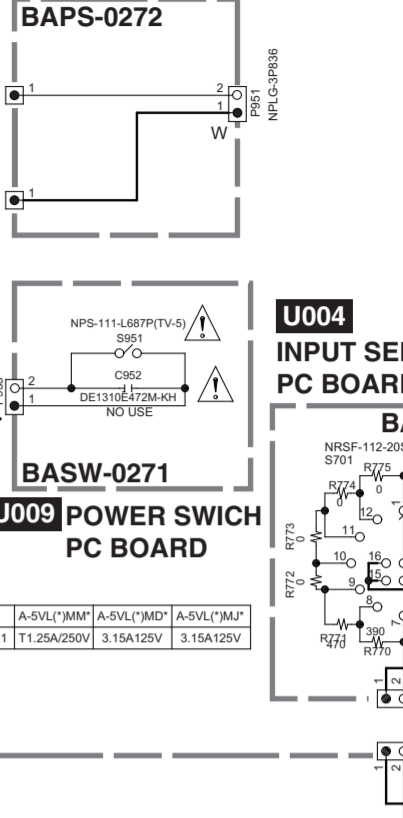


CAUTION  
FOR CONTINUED PROTECTION AGAINST FIRE HAZARD, REPLACE ONLY WITH FUSE OF SAME TYPE AND RATING INDICATED.

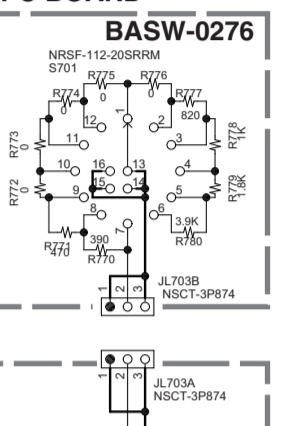
ATTENTION  
AFIN D'ASSURER UNE PROTECTION PERMANENTE CONTRE LES RISQUES D'INCENDIE, REMPLACER UNiquement PAR UN FUSIBLE DE MEME TYPE ET CALIBRAGE COMME INDIQUE.

NOTE  
THE COMPONENTS IDENTIFIED BY MARK ARE CRITICAL FOR SAFETY. REPLACE ONLY WITH PART NUMBER SPECIFIED. VOLTAGE (MEASURED IN VOLTS) IS DC VOLTAGE. INDUCTIVE (IN SIGNAL).  
ELECTROLYTIC CAPACITORS ( 3 ) ARE IN  $\mu F/50V$  UNLESS OTHERWISE NOTED.  
ALL CAPACITORS ARE IN  $\mu F/50V$  UNLESS OTHERWISE NOTED.  
EX) 030-33F 330-335F 331-336F 333-0.033  $\mu F$   
CIRCUIT IS SUBJECT TO CHANGE FOR IMPROVEMENT.

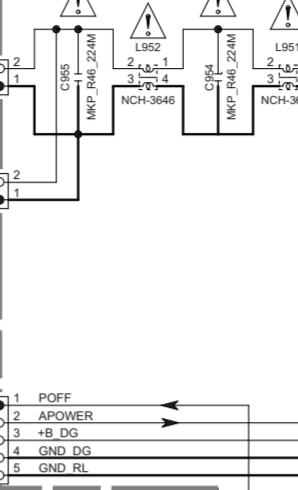
U010 AC INLET TERMINAL PC BOARD



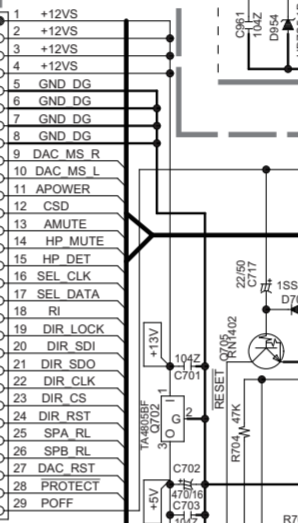
U004 INPUT SELECTOR PC BOARD



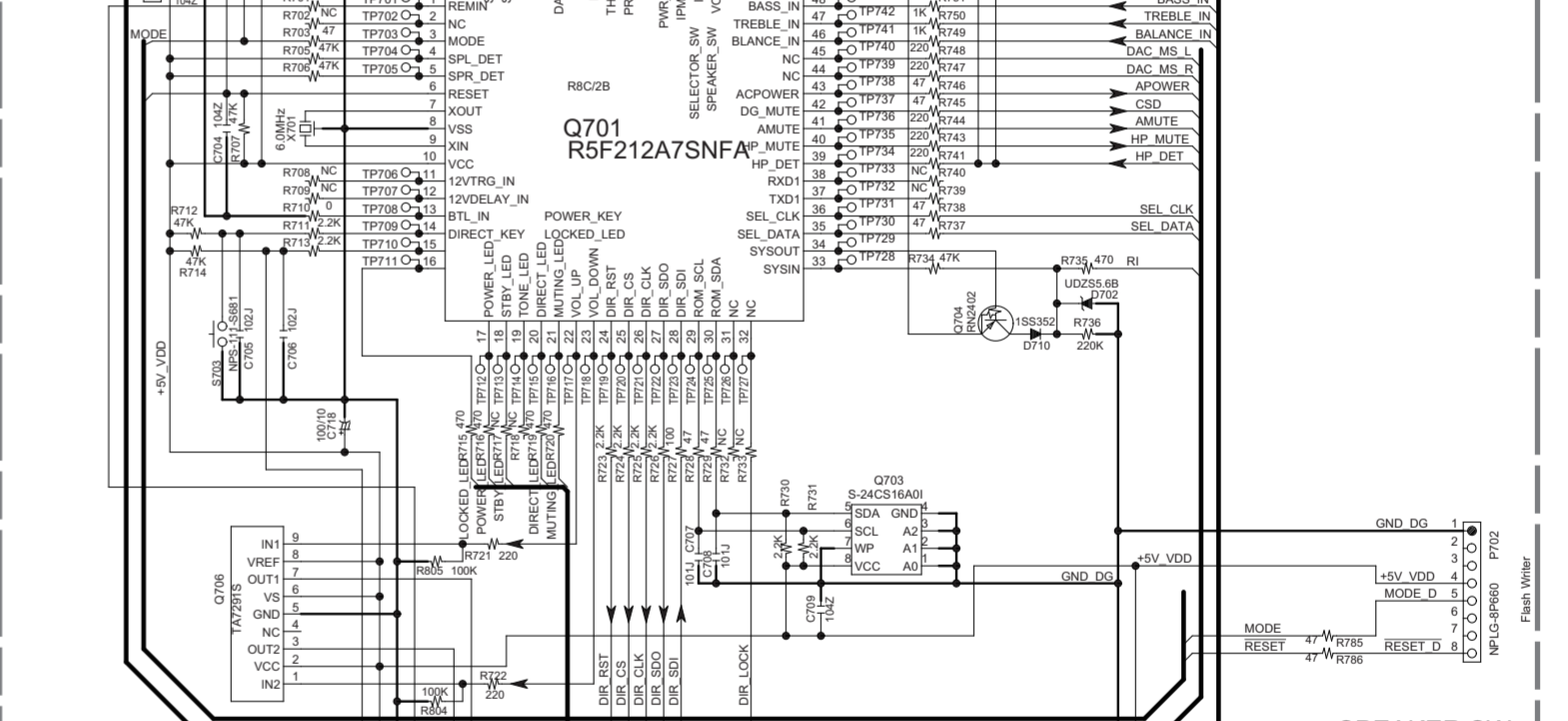
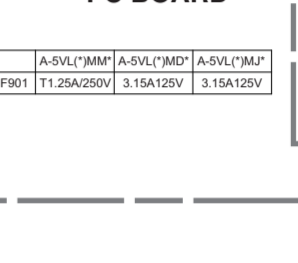
U008 BAPS-0270



BADIS-0268



U009 POWER SWITCH PC BOARD

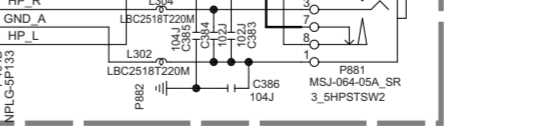


BAETC-0275

U007 REMOTE SENSOR PC BOARD



U005 HEADPHONE TERMINAL PC BOARD



U006 VOLUME CIRCUIT PC BOARD



U002 DISPLAY CIRCUIT PC BOARD



BAASP-0269

To Digital Amp board

To Headphone terminal PC board BAETC-0275

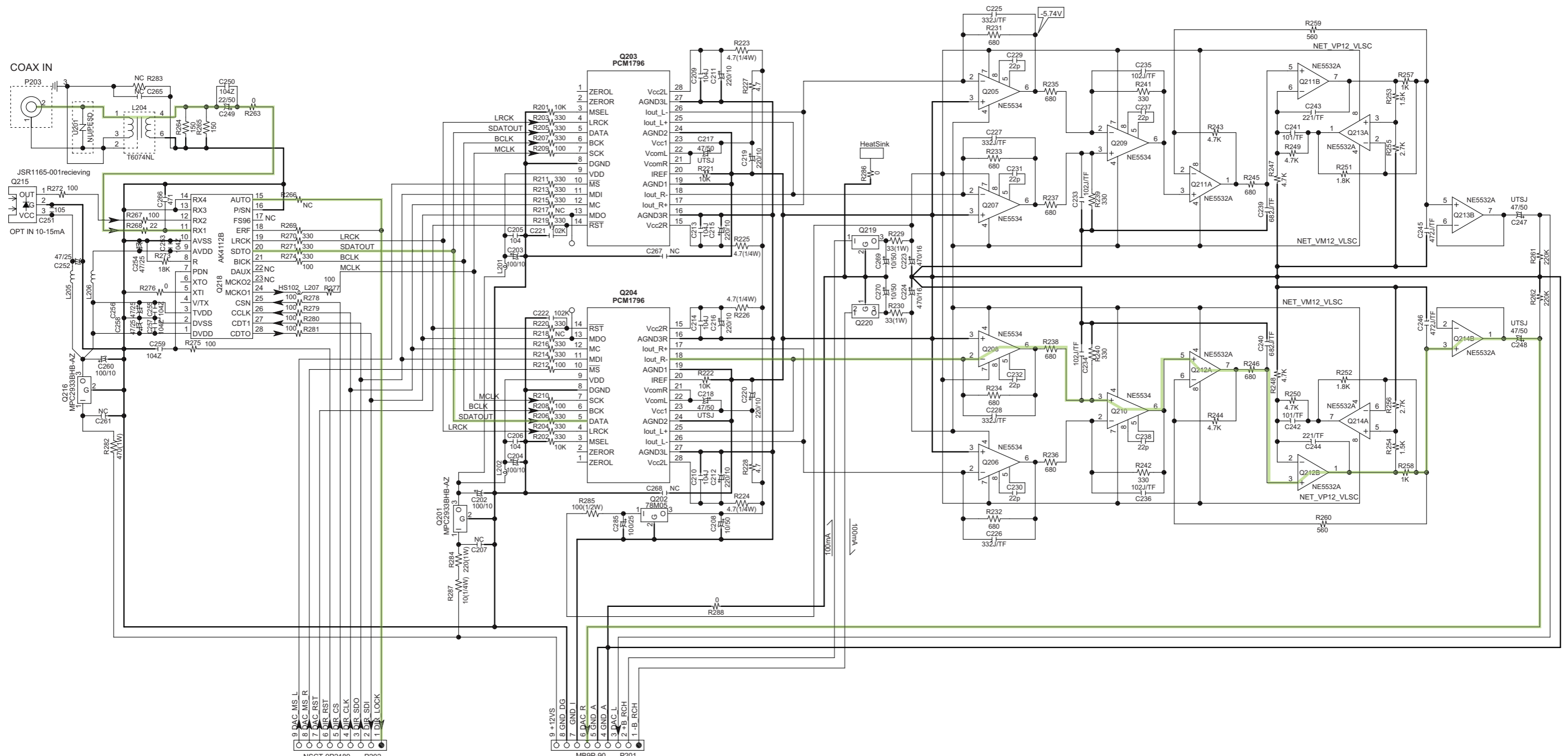
Fish Winner

# SCHEMATIC DIAGRAM-3

## DIGITAL SECTION

### U011 DIGITAL AMP. CIRCUIT PC BOARD BADG-0250

1  
2  
3  
4  
5



To Speaker terminal PC board BAASP-0269

To Speaker terminal PC board BAASP-0269

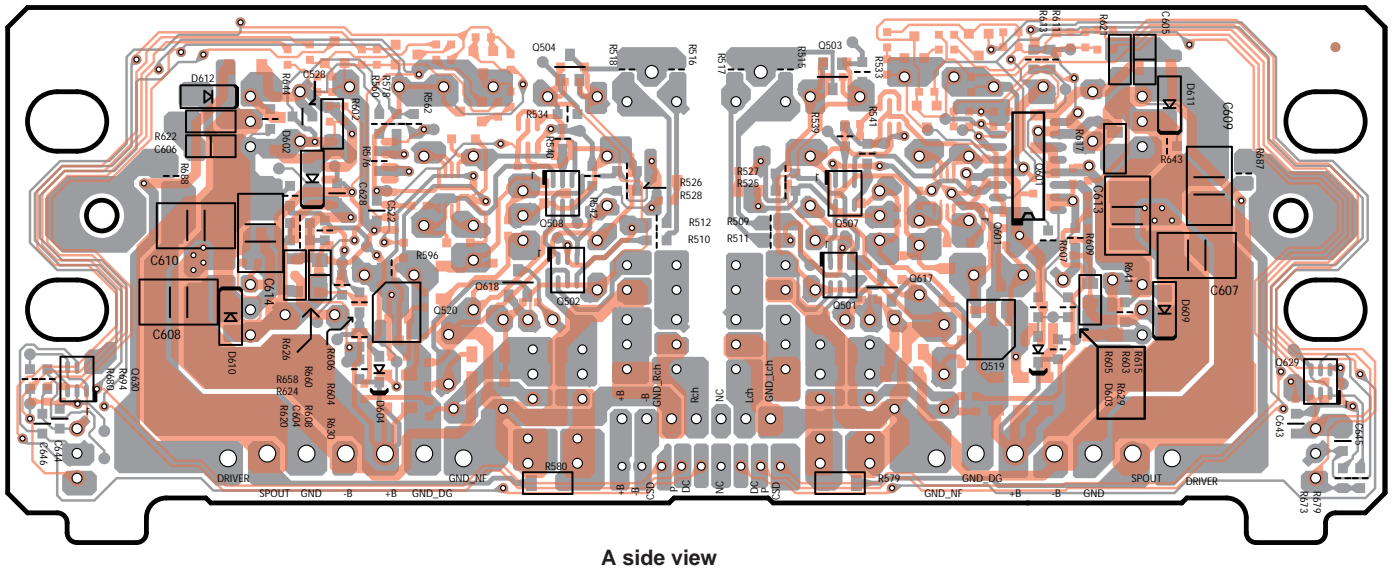
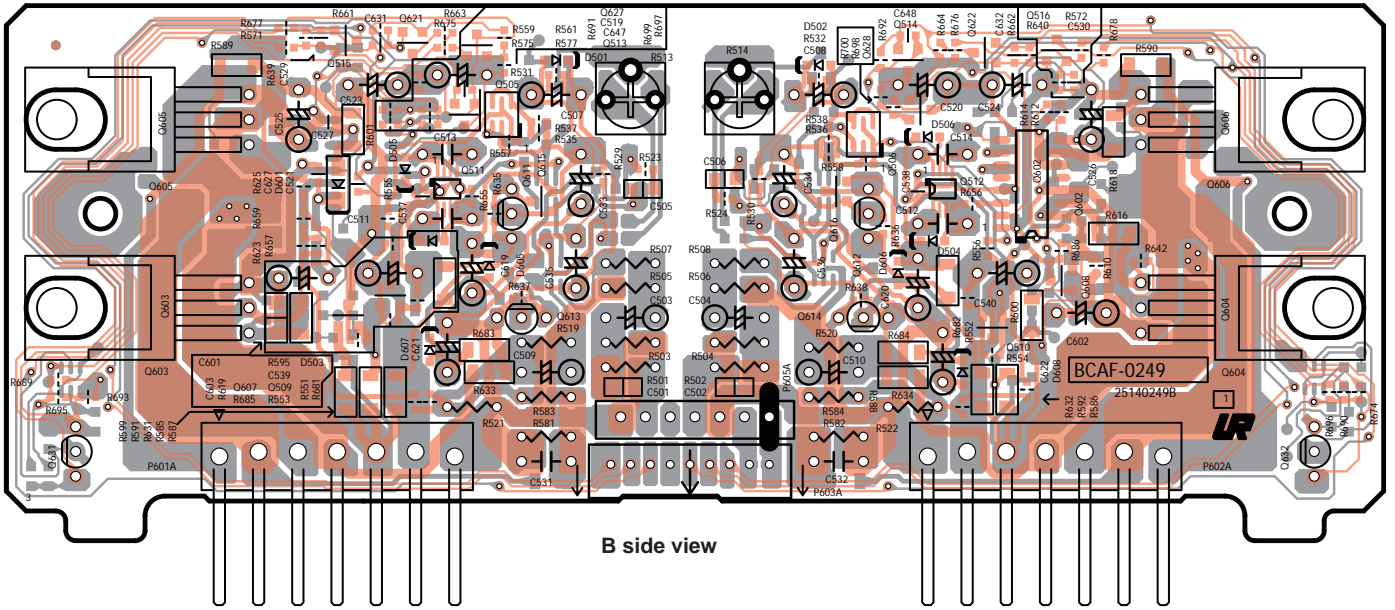
NSCT-9P2189 P202

MB9P-90 P201



# PRINTED CIRCUIT BOARD VIEW-1

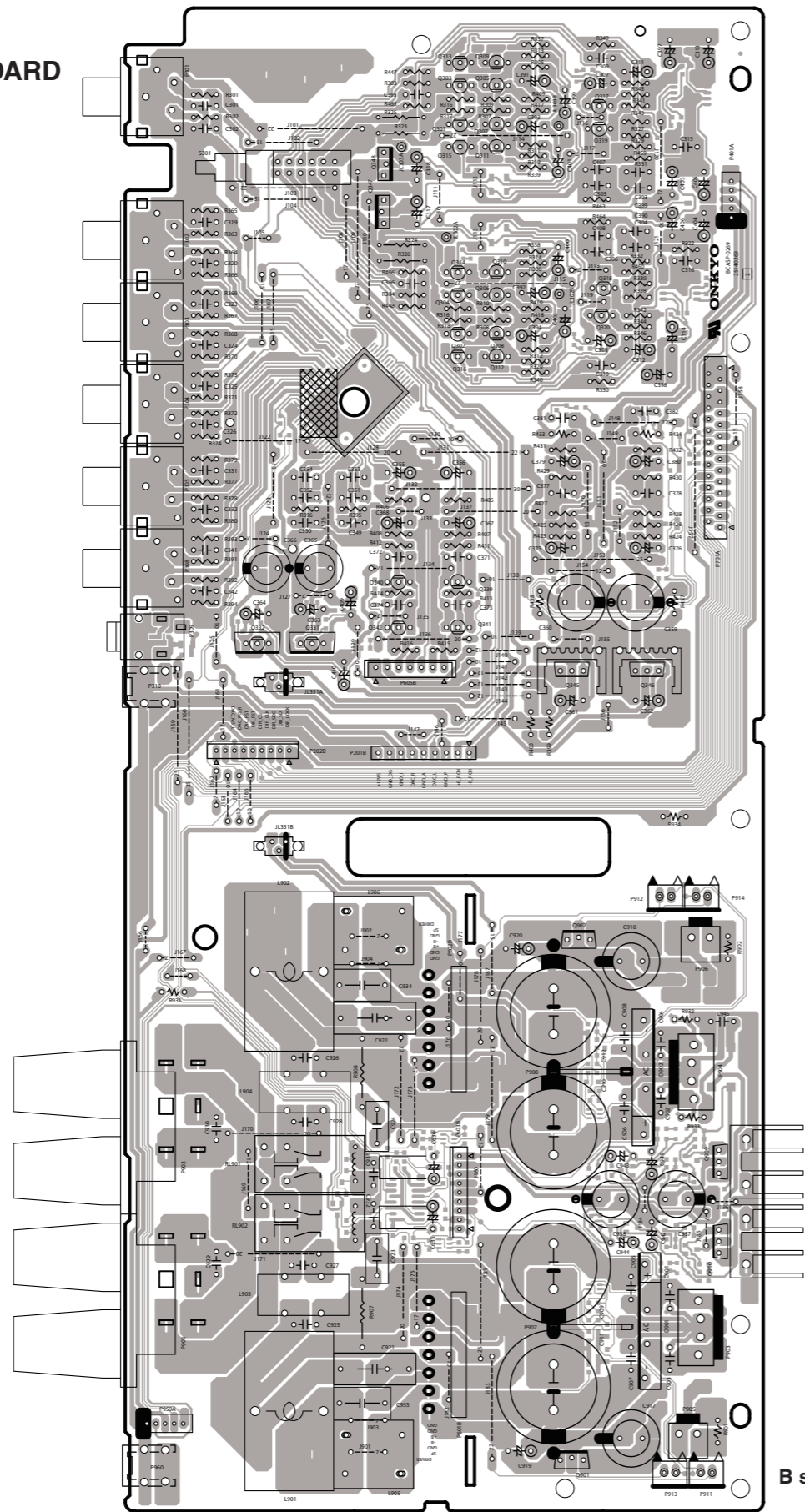
## U001: DIGITAL INPUT CIRCUIT PC BOARD BAAF-0249



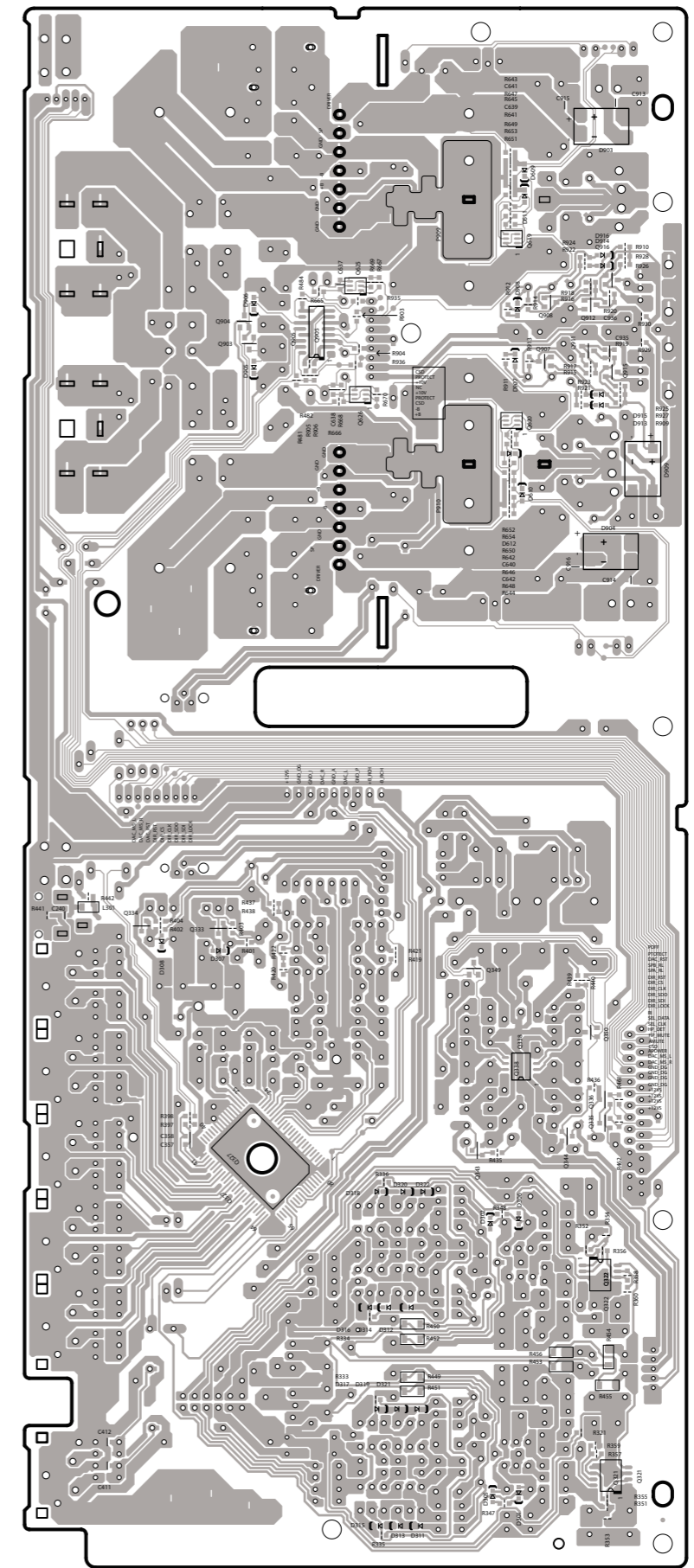
Orange square: A side pattern  
Grey square: B side pattern

# PRINTED CIRCUIT BOARD VIEW-4

U003 SPEAKER  
TERMINAL PC BOARD  
BAAPS-0269



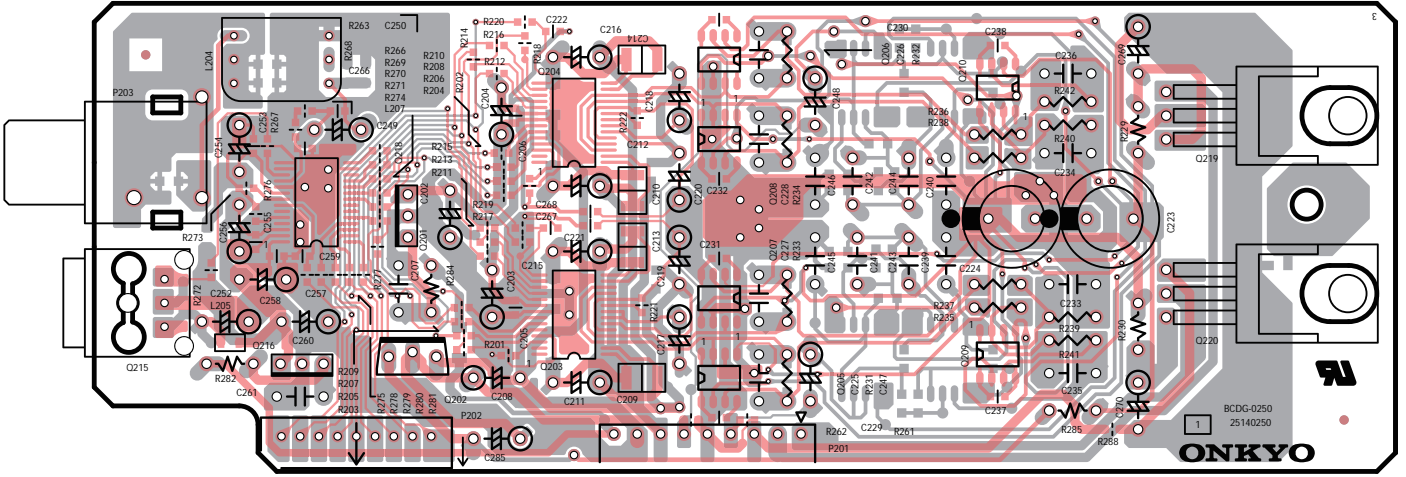
B side view



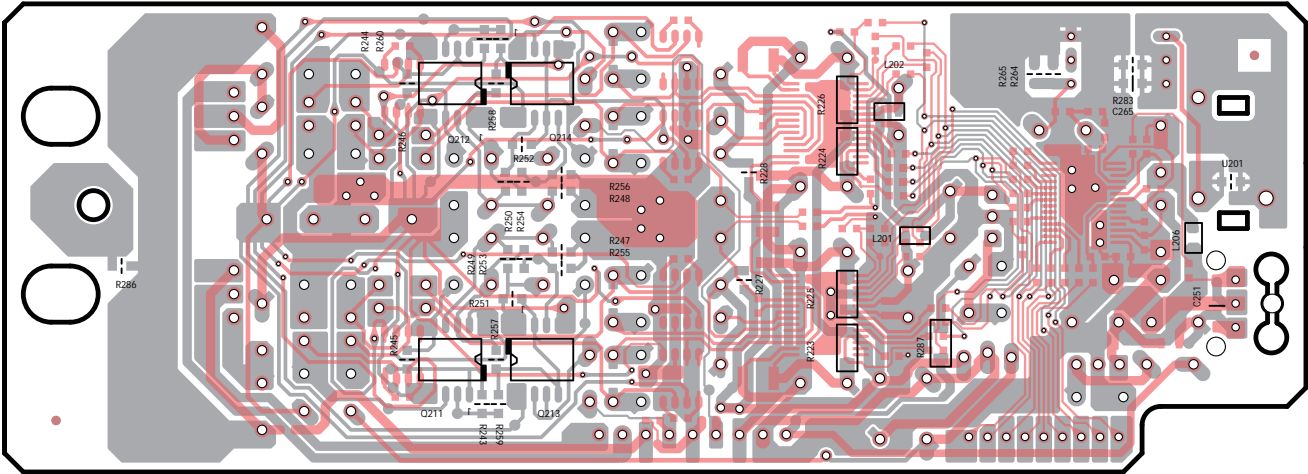
A side view

# PRINTED CIRCUIT BOARD VIEW-2

## U011 DIGITAL INPUT CIRCUIT PC BOARD (BADG-0250)



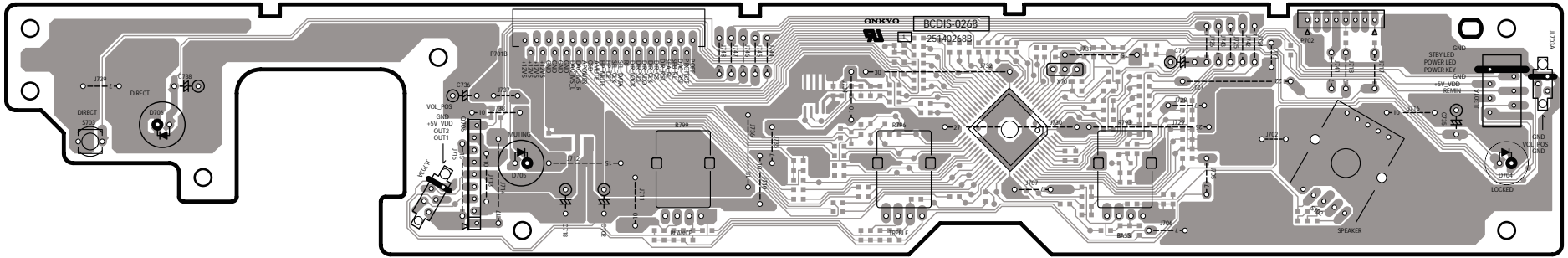
B side view



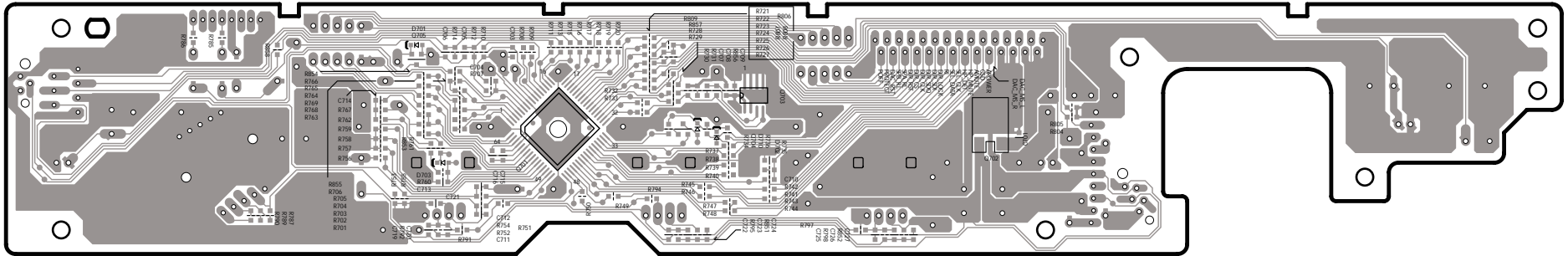
A side view

# PRINTED CIRCUIT BOARD VIEW-3

## U002 DISPLAY CIRCUIT PC BOARD BADIS-0268



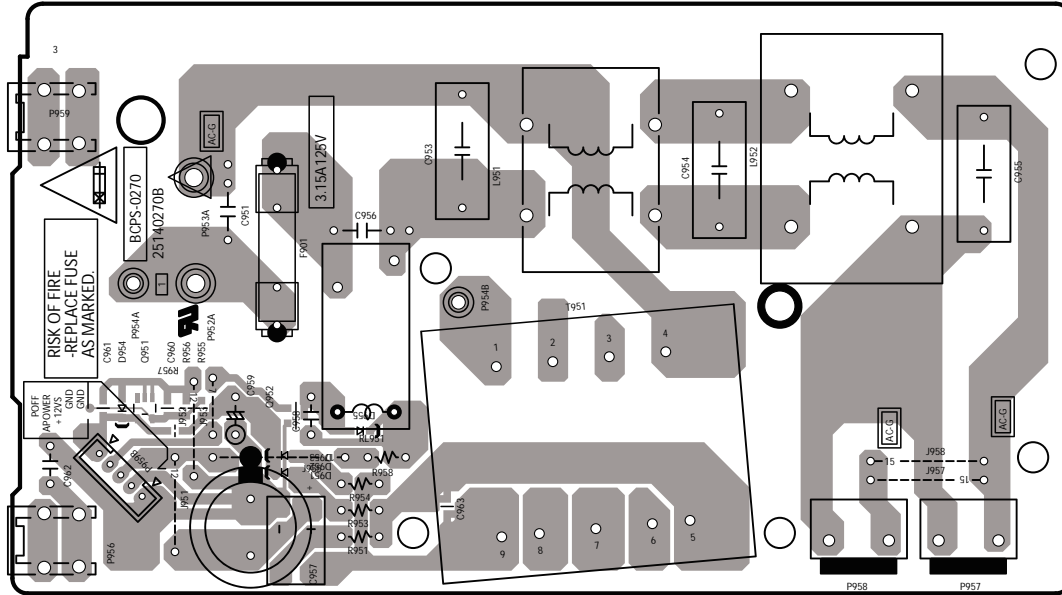
B side view



A side view

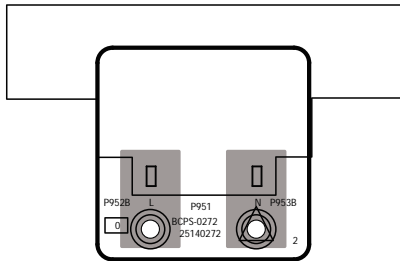
# PRINTED CIRCUIT BOARD VIEW-5

## U008 POWER SUPPLY PC BOARD BAPS-0270



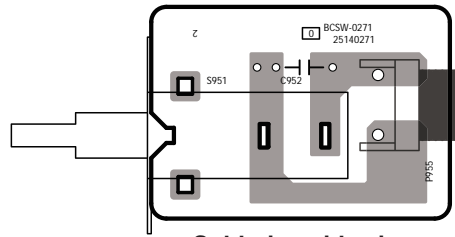
Soldering side view

## U010 AC INLET TERMINAL PC BOARD BAPS-0272



Soldering side view

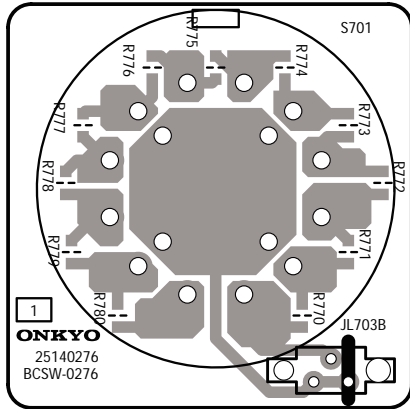
## U009 POWER SWITCH PC BOARD BASW-0271



Soldering side view

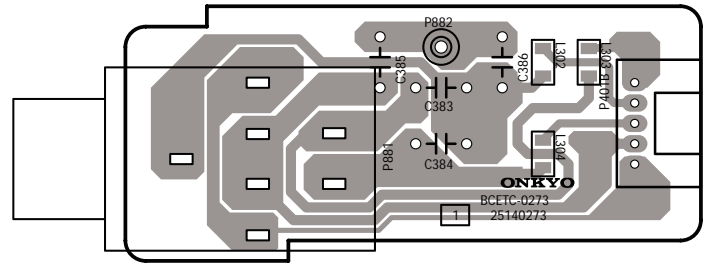
# PRINTED CIRCUIT BOARD VIEW-6

## U004 INPUT SELECTOR PC BOARD BASW-0276



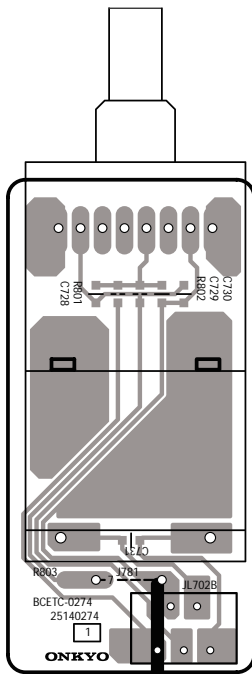
Soldering side view

## U005 HEADPHONE TERMINAL PC BOARD BAETC-0273



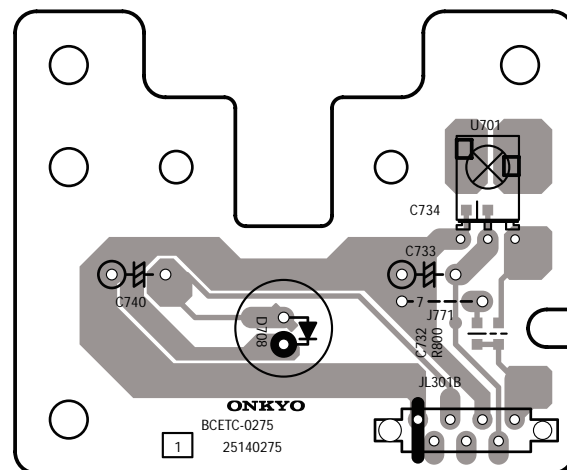
Soldering side view

## U006 VOLUME CIRCUIT PC BOARD BAETC-0274



Soldering side view

## U007 REMOTE SENSOR PC BOARD BAETC-0275

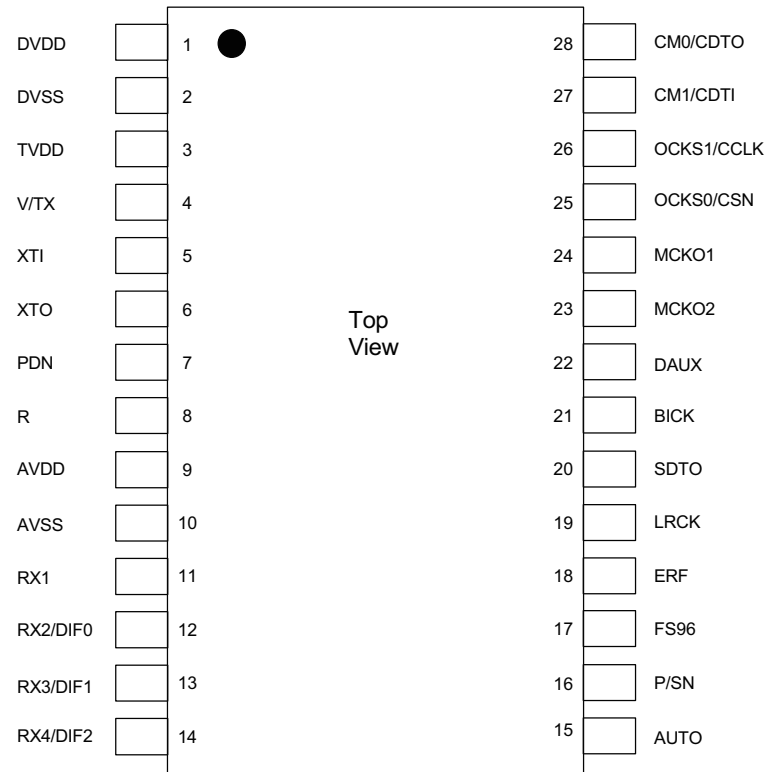


Soldering side view

# IC BLOCK DIAGRAM/ TERMINAL DESCRIPTION

## Q218: HIGH FEATURE 96kHz 24bit DIR (AK4112BVF)-1

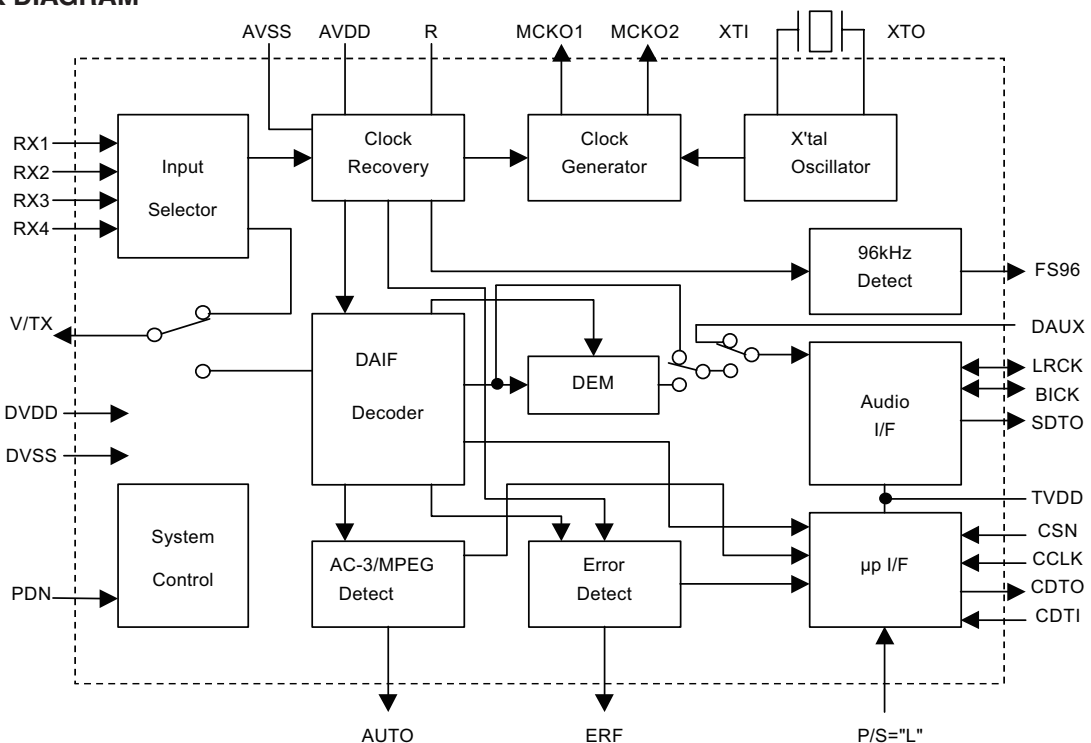
### PIN ARRANGEMENT



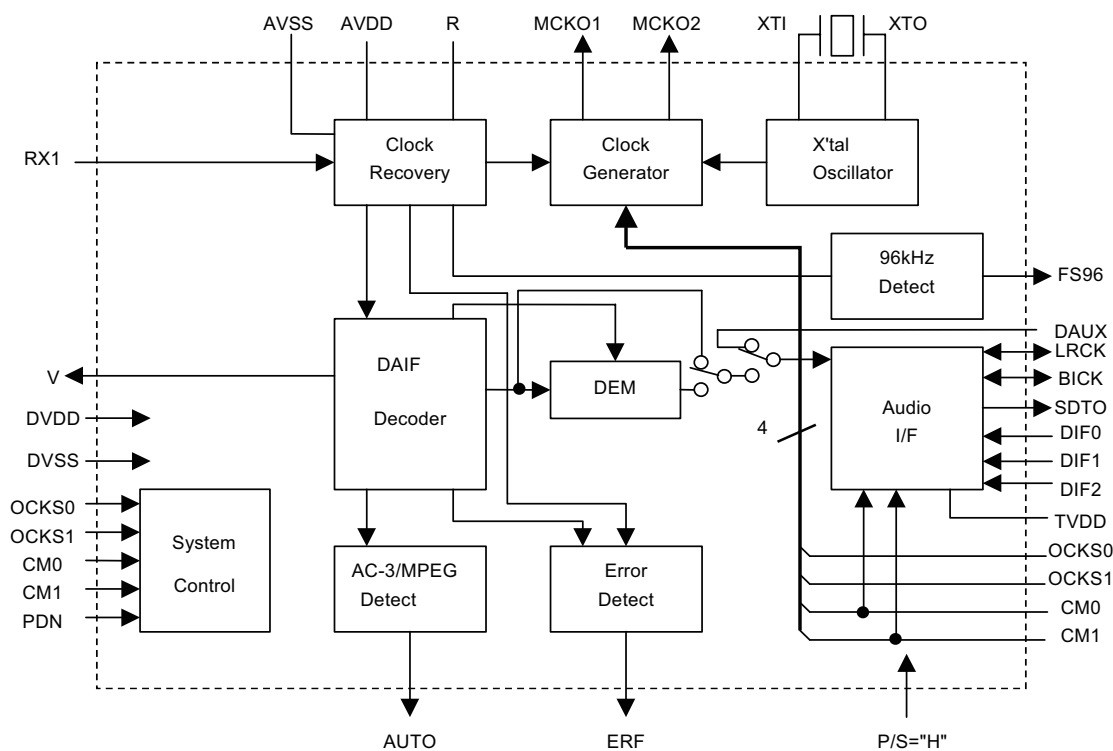
# IC BLOCK DIAGRAM/ TERMINAL DESCRIPTION

## Q218: HIGH FEATURE 96kHz 24bit DIR (AK4112BVF)-2

### BLOCK DIAGRAM



Serial control mode



Parallel control mode



## IC BLOCK DIAGRAM/ TERMINAL DESCRIPTION

### Q218: HIGH FEATURE 96kHz 24bit DIR (AK4112BVF)-3

#### PIN DESCRIPTION

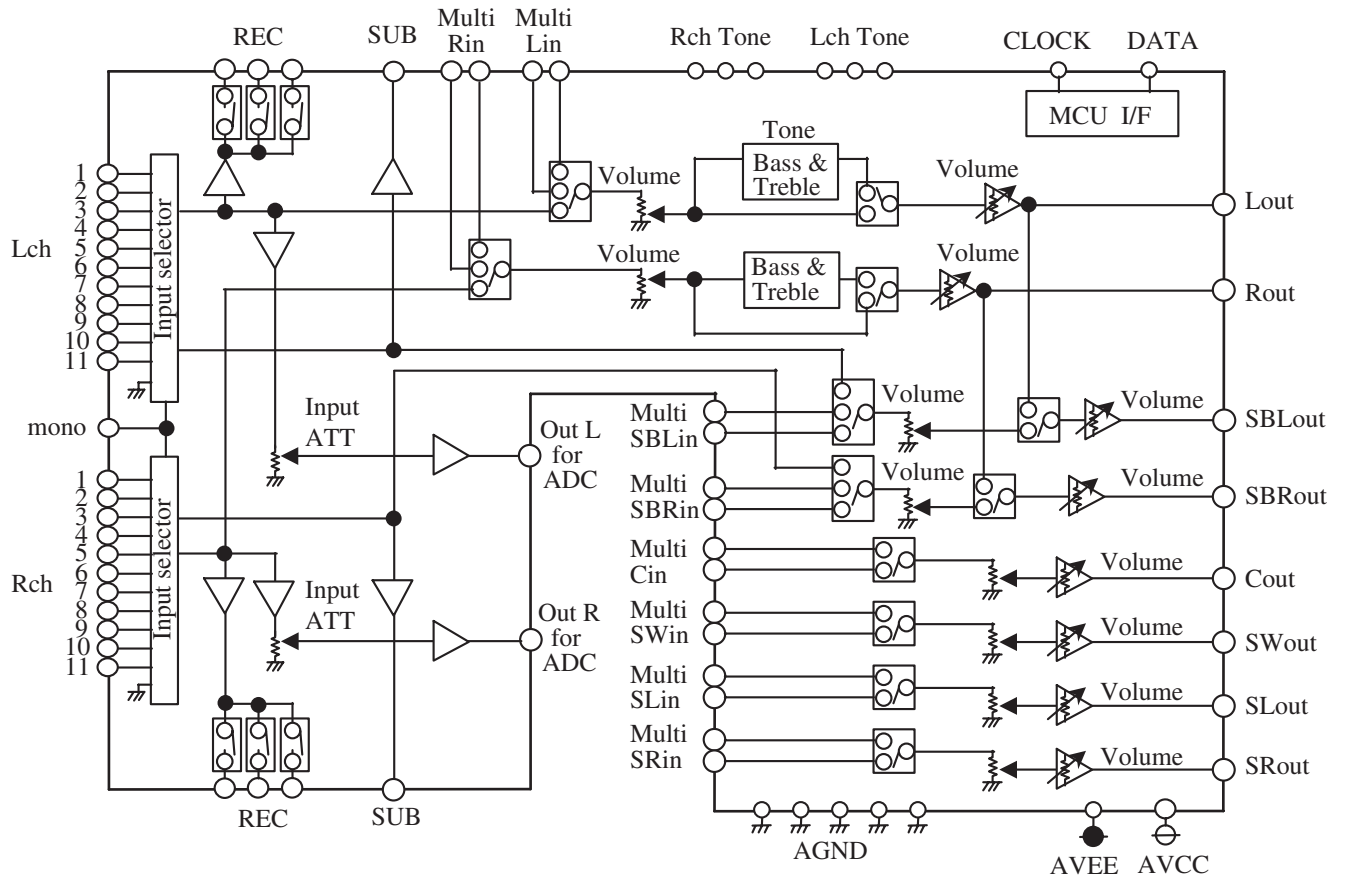
No.	Pin Name	I/O	Function
1	V	O	Validity Flag Output Pin in Parallel Mode
	TX	O	Transmit channel (through data) Output Pin in Serial Mode
2	XTI	I	X'tal Input Pin
3	XTO	O	X'tal Output Pin
4	PDN	I	Power-Down Mode Pin When "L", the AK4112B is powered-down and reset.
5	R	-	External Resistor Pin 18k $\Omega$ +/-1% resistor to AVSS externally.
6	AVDD	-	Analog Power Supply Pin
7	AVSS	-	Analog Ground Pin
8	RX1	I	Receiver Channel 1 This channel is selected in Parallel Mode or default of Serial Mode.
9	DIF0	I	Audio Data Interface Format 0 Pin in Parallel Mode
	RX2	I	Receiver Channel 2 in Serial Mode
10	DIF1	I	Audio Data Interface Format 1 Pin in Parallel Mode
	RX3	I	Receiver Channel 3 in Serial Mode
11	DIF2	I	Audio Data Interface Format 2 Pin in Parallel Mode
	RX4	I	Receiver Channel 4 in Serial Mode
12	AUTO	O	Non-PCM Detect Pin "L": No detect, "H": Detect
13	P/SN	I	Parallel/Serial Select Pin "L": Serial Mode, "H": Parallel Mode
14	FS96	O	96kHz Sampling Detect Pin (RX Mode) "H": fs=88.2kHz or more, "L" fs=54kHz or less. (X'tal Mode) "H": XFS96=1, "L": XFS96=0.
15	ERF	O	Unlock & Parity Error Output Pin "L": No Error, "H": Error
16	LRCK	I/O	Output Channel Clock Pin
17	SDTO	O	Audio Serial Data Output Pin
18	BICK	I/O	Audio Serial Data Clock Pin
19	DAUX	I	Auxiliary Audio Data Input Pin
20	MCK02	O	Master Clock #2 Output Pin
21	MCK01	O	Master Clock #1 Output Pin
22	OCKS0	I	Output Clock Select 0 Pin in Parallel Mode
	CSN	I	Chip Select Pin in Serial Mode
23	OCKS1	I	Output Clock Select 1 Pin in Parallel Mode
	CCLK	I	Control Data Clock Pin in Serial Mode
24	CM1	I	Master Clock Operation Mode Pin0 in Parallel Mode
	CDTI	I	Control Data Input Pin in Serial Mode
25	CM0	I	Master Clock Operation Mode Pin1 in Parallel Mode
	CDTO	O	Control Data Output Pin in Serial Mode
26	DVDD	-	Digital Power Supply Pin, 3.3V
27	DVSS	-	Digital Ground Pin
28	TVDD	-	Input Buffer Power Supply Pin, 3.3V or 5V

Note 1: All input pins except internal pull-down pins should not be left floating.

# IC BLOCK DIAGRAMS AND TERMINAL DESCRIPTIONS-1

Q327 : R2S15211FP (8 ch Electronic Volume and 11 Input Selector and Tone Control)-1/3

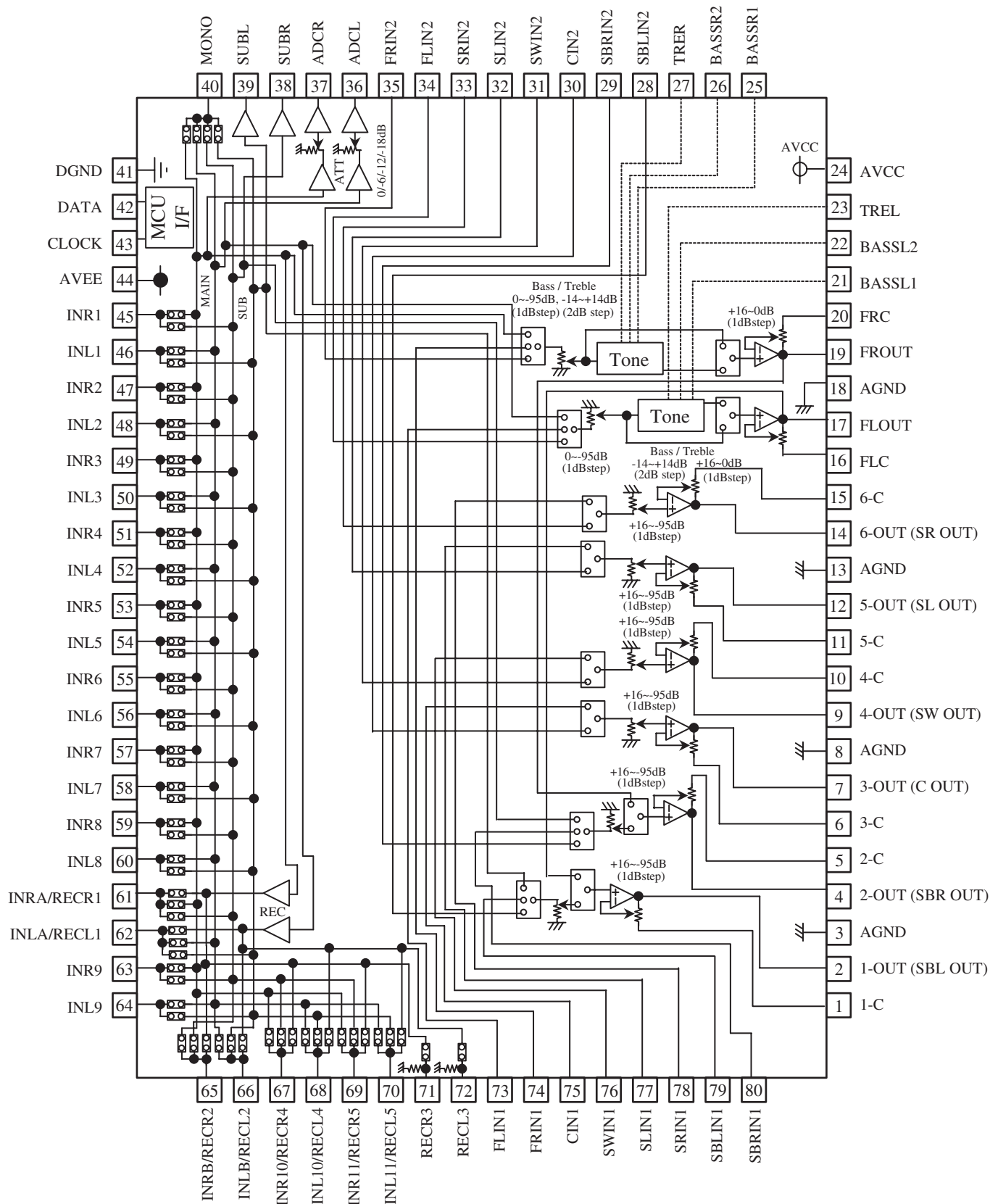
## SYSTEM BLOCK DIAGRAM



# IC BLOCK DIAGRAMS AND TERMINAL DESCRIPTIONS-2

## Q327 : R2S15211FP (8 ch Electronic Volume and 11 Input Selector and Tone Control)-2/3

### BLOCK DIAGRAM AND PIN CONFIGURATION



## IC BLOCK DIAGRAMS AND TERMINAL DESCRIPTIONS-3

### Q327 : R2S15211FP (8 ch Electronic Volume and 11 Input Selector and Tone Control)-3/3

#### TERMINAL DESCRIPTION

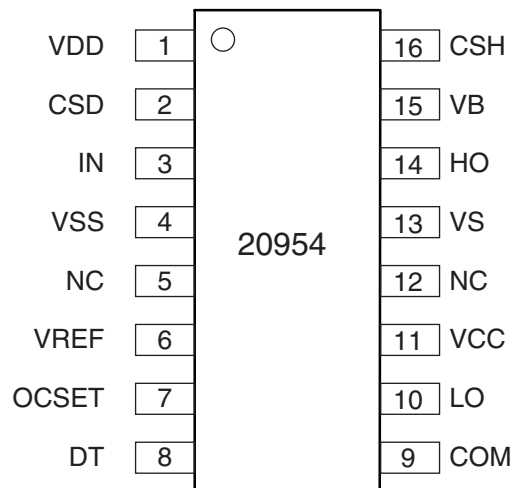
PIN No.	Name	Function
19,17, 14,12, 9,7, 4,2	FROUT,FLOUT, 6-OUT,5-OUT, 4-OUT, 3-OUT, 2-OUT,1-OUT	Output pin of FL/FR/C/SW/SL/SR/SBL/SBR channel
20,16, 15,11, 10,6, 5,1	FRC,FLC, 6-C,5-C, 4-C,3-C, 2-C,1-C	Connects capacitor for reducing click noise of L/R/C/SW/SL/SR/SBL/SBR channel volume
3,8, 13,18	AGND	Analog ground of internal circuit
23,27	TREL, TRER	Frequency characteristic setting pin of L/R channel tone control(Treble)
21,22, 25,26	BASSL1, BASSL2 BASSR1, BASSR2	Frequency characteristic setting pin of L/R channel tone control(Bass)
24	AVCC	Positive power supply to internal circuit
35,34, 33,32, 31,30, 29,28	FRIN2, FLIN2, SRN2,SLIN2, SWIN2,CIN2, SBRIN2,SBLIN2	Input pin of L/R/C/SW/SL/SR/SBL/SBR channel (Multi IN 1/2)
73,74, 75,76, 77,78, 79,80	FLIN1, FRIN1, CIN1,SWIN1, SLIN1,SRIN1, SBLIN1,SBRIN1	
41	DGND	Digital ground of internal circuit
42	DATA	Input pin of control data
43	CLOCK	Input pin of control clock
44	AVEE	Negative power supply to internal circuit
46,48,50, 52,54,56, 58,60,64	INL1, INL2, INL3, INL4, INL5, INL6, INL7, INL8, INL9	Input pin of L/R channel (Input Selector)
45,47,49, 51,53,55, 57,59,63	INR1, INR2, INR3, INR4, INR5, INR6, INR7, INR8, INR9	
40	MONO	Input pin of monaural (Input Selector)
38,39	SUBL,SUBR	Output pin for L/R channel SUB Output
36,37	ADCL, ADCR	Output pin for L/R channel ADC
72	RECL3	Output pin for L/R channel REC Output
71	RECR3	
61,62, 65,66, 67,68, 69,70	INRA/RECR1,INLA/RECL1, INRB/RECR2,INLB/RECL2, INR10/RECR4,INL10/RECL4, INR11/RECR5,INL11/RECL5	Input pin of L/R channel (Input Selector)/ Output pin for L/R channel REC Output

## IC BLOCK DIAGRAM/ TERMINAL DESCRIPTION

### Q601/Q602: IRS20954S DIGITAL AUDIO DRIVER-1

#### LEAD DEFINITIONS

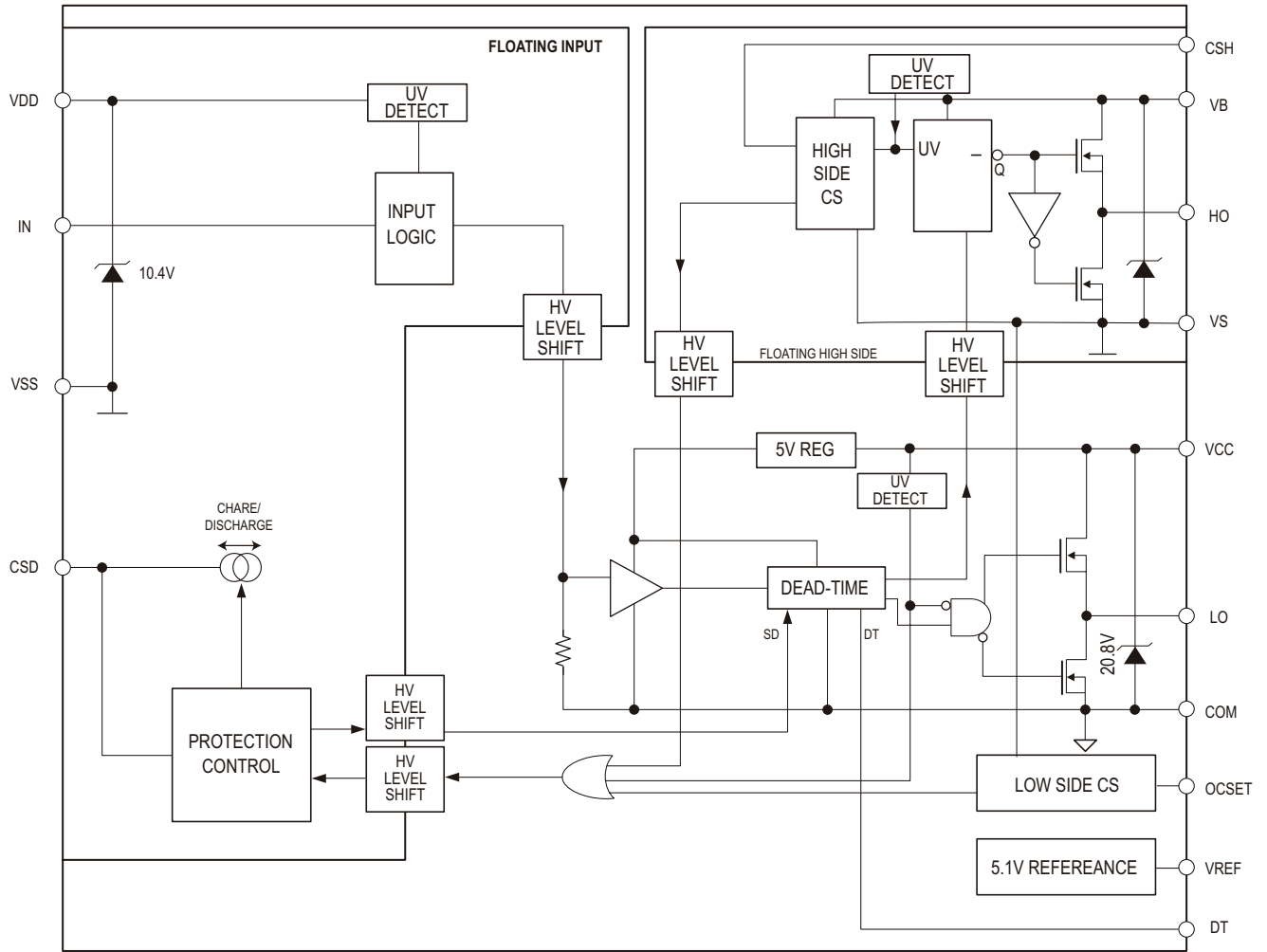
Pin #	Symbol	Description
1	VDD	Floating input positive supply
2	CSD	Shutdown timing capacitor, referenced to VSS
3	IN	PWM non-inverting input, in phase with HO
4	VSS	Floating input supply return
5	NC	
6	VREF	5V reference output for setting OCSET
7	OCSET	Low-side over-current threshold setting, reference to COM
8	DT	Input for programable deadtime, reference to COM
9	COM	Low-side supply return
10	LO	Low-side output
11	VCC	Low-side logic supply
12	NC	
13	VS	High-side floating supply return
14	HO	High-side output
15	VB	High-side floating supply
16	CSH	High-side over-current sensing input, reference to VS

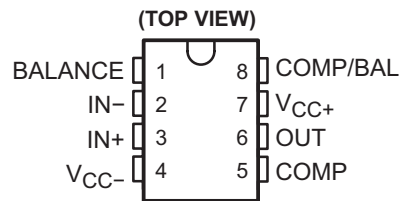
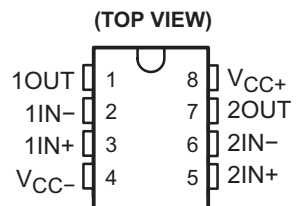


# IC BLOCK DIAGRAM/ TERMINAL DESCRIPTION

## Q601/Q602: IRS20954S DIGITAL AUDIO DRIVER-2

### BLOCK DIAGRAM

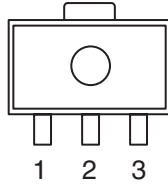
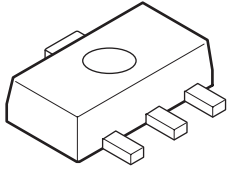


**IC BLOCK DIAGRAM/ TERMINAL DESCRIPTION****Q205-Q210: NE5534AD OPE AMP.****Q211-Q214/Q321/Q322: NE5532AD OPE AMP.**

## IC BLOCK DIAGRAM/ TERMINAL DESCRIPTION

### Q519/Q520: NJM78LxxUA 3-TERMINAL VOLTAGE REGULATOR

#### PIN CONFIGURATION



Pin arrangement

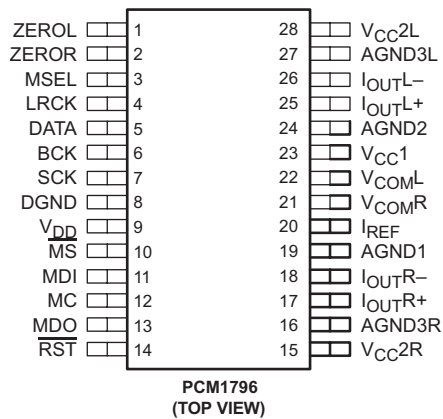
1. Output
2. GND.
3. Input



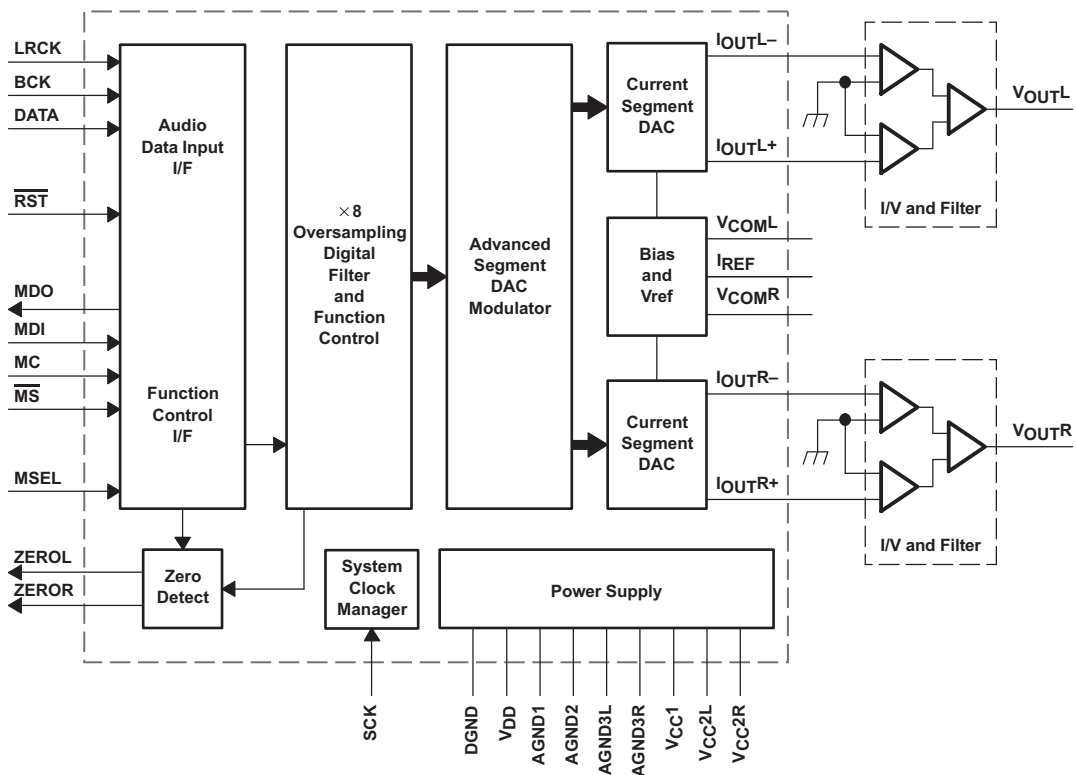
# IC BLOCK DIAGRAM/ TERMINAL DESCRIPTION

## Q203/Q204: PCM1796DB AUDIO DIGITAL to ANALOG CONVERTER-1

### PIN ASSIGNMENTS



### BLOCK DIAGRAM



## IC BLOCK DIAGRAM/ TERMINAL DESCRIPTION

### Q203/Q204: PCM1796DB AUDIO DIGITAL to ANALOG CONVERTER-2

#### TERMINAL DESCRIPTION

TERMINAL		I/O	DESCRIPTIONS
NAME	PIN		
AGND1	19	–	Analog ground (internal bias)
AGND2	24	–	Analog ground (internal bias)
AGND3L	27	–	Analog ground (L-channel DACFF)
AGND3R	16	–	Analog ground (R-channel DACFF)
BCK	6	I	Bit clock input <sup>(1)</sup>
DATA	5	I	Serial audio data input <sup>(1)</sup>
DGND	8	–	Digital ground
I <sub>OUTL+</sub>	25	O	L-channel analog current output+
I <sub>OUTL-</sub>	26	O	L-channel analog current output-
I <sub>OUTR+</sub>	17	O	R-channel analog current output+
I <sub>OUTR-</sub>	18	O	R-channel analog current output-
I <sub>REF</sub>	20	–	Output current reference bias pin
LRCK	4	I	Left and right clock (f <sub>S</sub> ) input <sup>(1)</sup>
MC	12	I	Mode control clock input <sup>(1)</sup>
MDI	11	I	Mode control data input <sup>(1)</sup>
MDO	13	I/O	Mode control readback data output <sup>(3)</sup>
$\overline{MS}$	10	I/O	Mode control chip-select input <sup>(2)</sup>
MSEL	3	I	I <sup>2</sup> C/SPI select <sup>(1)</sup>
$\overline{RST}$	14	I	Reset <sup>(1)</sup>
SCK	7	I	System clock input <sup>(1)</sup>
V <sub>CC1</sub>	23	–	Analog power supply, 5 V
V <sub>CC2L</sub>	28	–	Analog power supply (L-channel DACFF), 5 V
V <sub>CC2R</sub>	15	–	Analog power supply (R-channel DACFF), 5 V
V <sub>COML</sub>	22	–	L-channel internal bias decoupling pin
V <sub>COMR</sub>	21	–	R-channel internal bias decoupling pin
V <sub>DD</sub>	9	–	Digital power supply, 3.3 V
ZEROL	1	I/O	Zero flag for L-channel <sup>(2)</sup>
ZEROR	2	I/O	Zero flag for R-channel <sup>(2)</sup>

(1) Schmitt-trigger input, 5-V tolerant

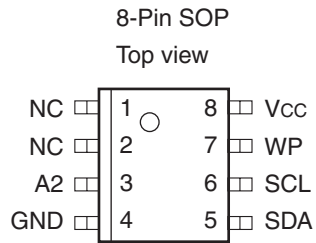
(2) Schmitt-trigger input and output. 5-V tolerant input and CMOS output

(3) Schmitt-trigger input and output. 5-V tolerant input. In I<sup>2</sup>C mode, this pin becomes an open-drain 3-state output; otherwise, this pin is a CMOS output.

# IC BLOCK DIAGRAM/ TERMINAL DESCRIPTION

## Q703: S-24CS16A0I-J8V1G (2-Wire CMOS 16k bit E<sup>2</sup>ROM)

### PIN ASSIGNMENT

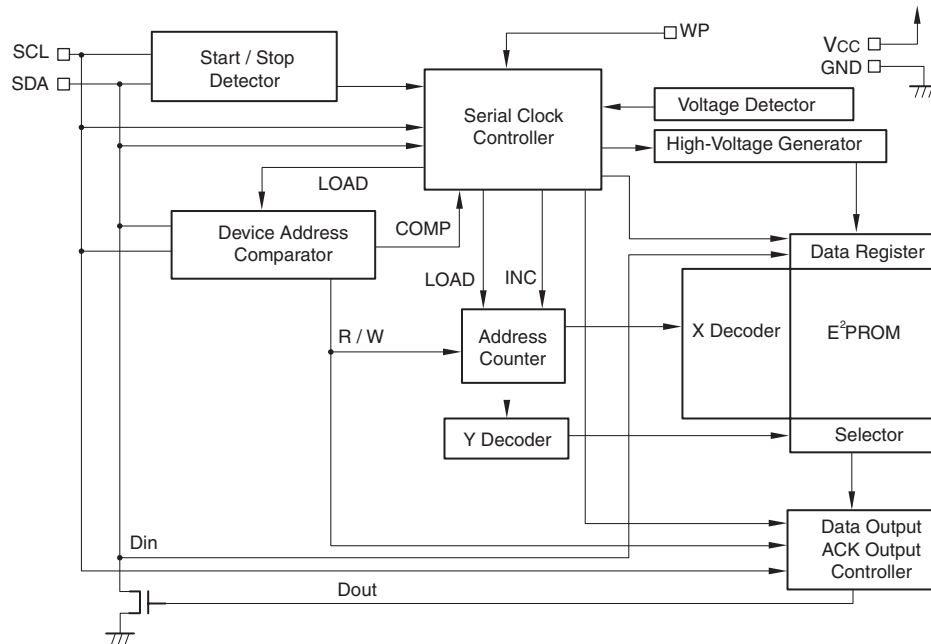


Pin Number	Pin Name	Function
1	NC	No connection <sup>*1</sup>
2	NC	No connection <sup>*1</sup>
3	A2	TES pin <sup>*2</sup>
4	GND	Ground
5	SDA	Serial data input/output
6	SCL	Serial clock input
7	WP	Write protection input connected to Vcc: Protection valid Connected to GND: Protection invalid
8	VCC	Power supply

\*1. Connected to GND or Vcc.

\*2. Connected to GND.

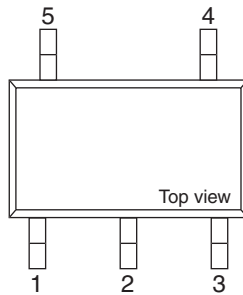
### BLOCK DIAGRAM



## IC BLOCK DIAGRAM/ TERMINAL DESCRIPTION

### Q951: S-80127CNMC-JKM VOLTAGE DETECTOR (12.7V N-ch open drain, Active L: out)

#### PIN CONFIGURATION

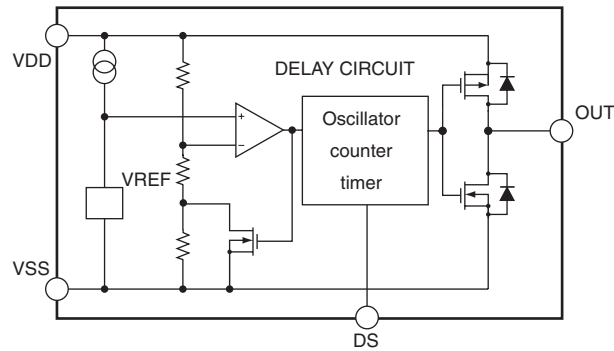


#### PIN DESCRIPTION

No.	Symbol	Description
1	DS	ON/OFF switch for delay time
2	VSS	GND
3	NC <sup>*1</sup>	Non-connection
4	OUT	Voltage detection output pin
5	VDD	Voltage input pin

\*1. NC pin is electrically open.

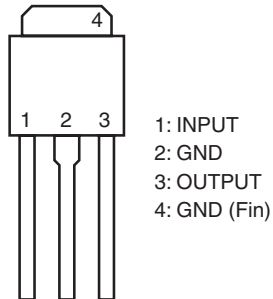
#### BLOCK DIAGRAM



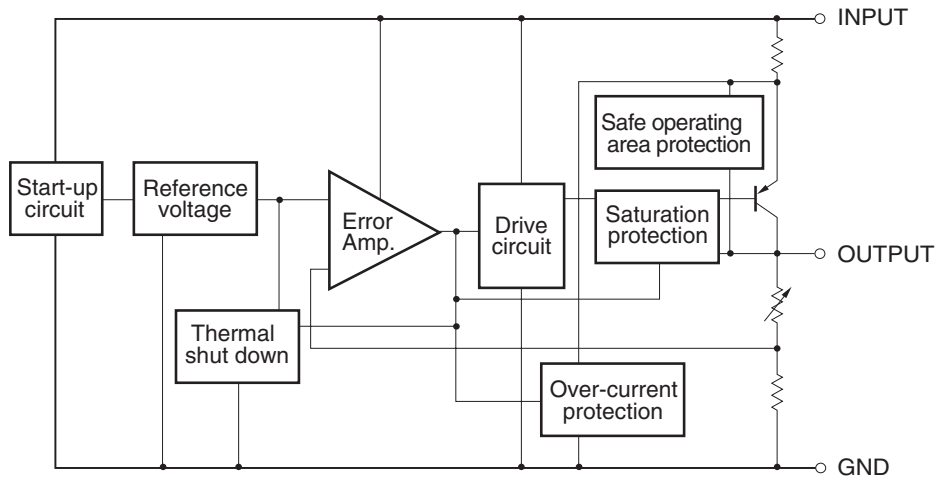
## IC BLOCK DIAGRAM/ TERMINAL DESCRIPTION

Q201/Q216: MPC2933BHB-AZ VOLTAGE REGULATOR  
Q702: MPC2905AT

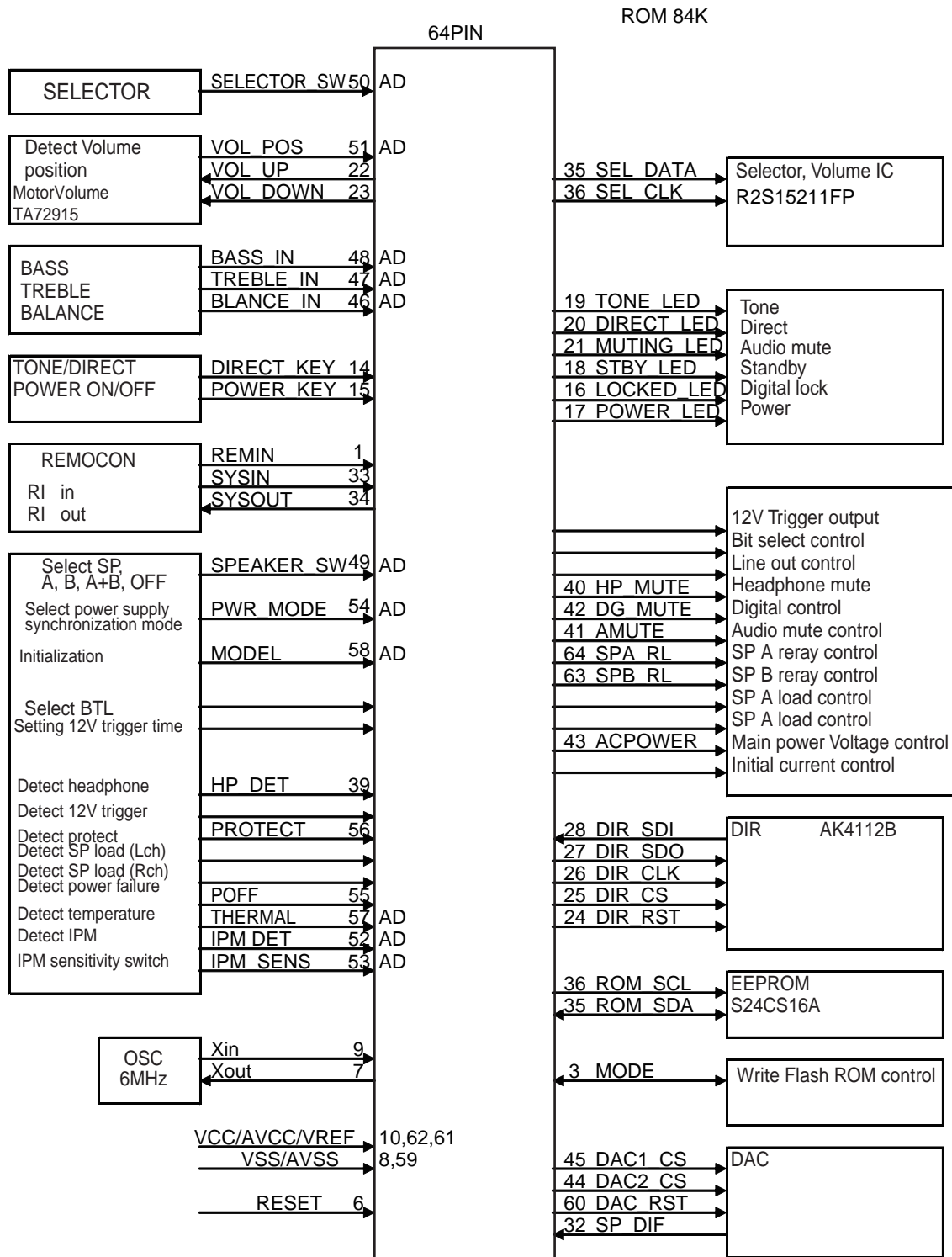
### PIN CONFIGURATION



### BLOCK DIAGRAM



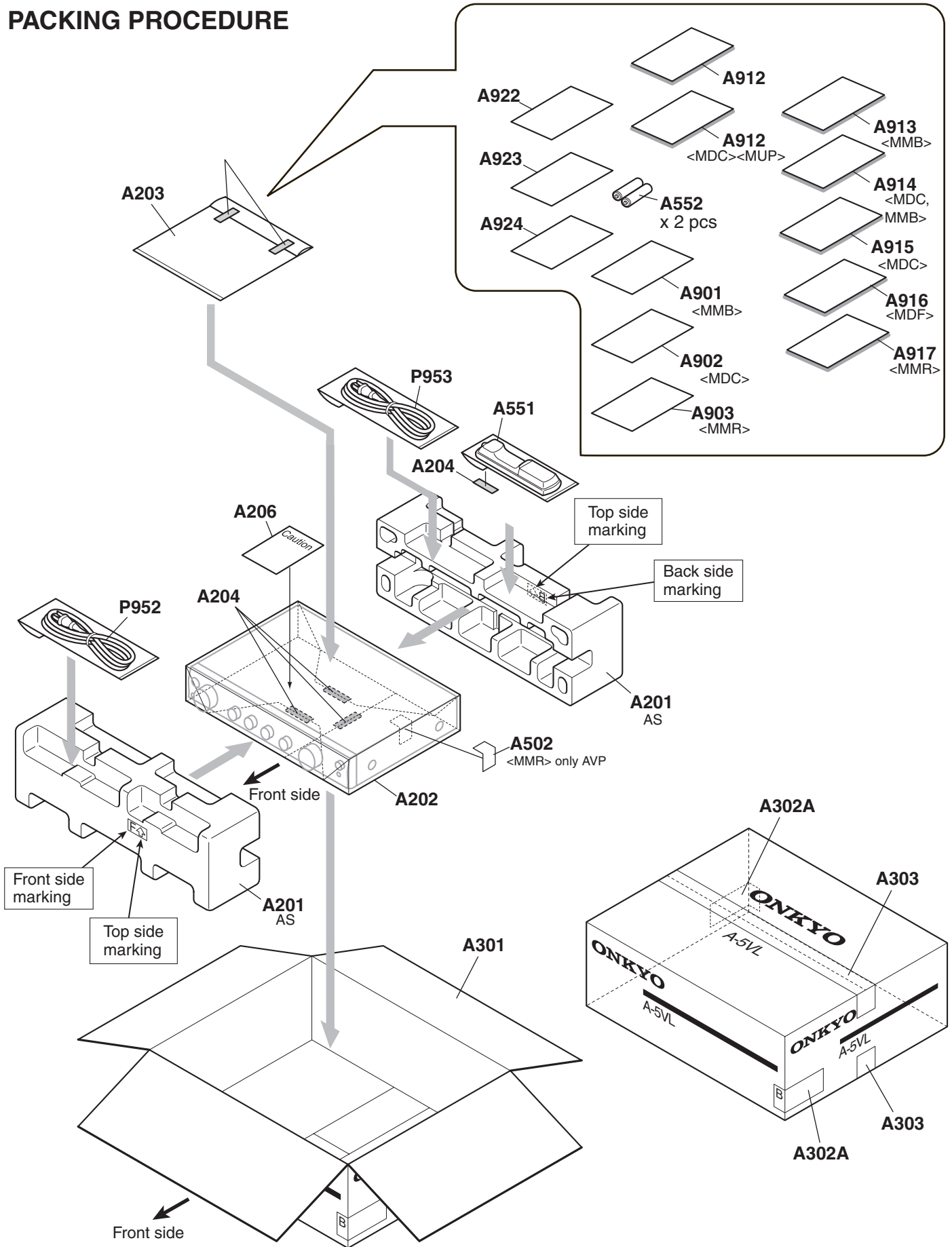
# MICROPROCESSOR BLOCK DIAGRAM



## MICROPROCESSOR TERMINAL DESCRIPTION

No.	PIN NAME	SIGNAL	I/O	FUNCTION
1	P33/SSI	REMIN	I	Remote control input data.
2	P34/~SCS/SDA		O	NC.
3	MODE	MODE	I/O	For flash writer.
4	P43XCIN	SPL_DET	I	NC.
5	P44/XCOUT	SPR_DET	I	NC.
6	~RESET	RESET	I	Reset pin.
7	P47/XOUT	XOUT		X'tal output pin (6MHz).
8	VSS/AVSS	VSS		GND.
9	P46/XIN	XIN		X'tal input pin (6MHz).
10	VCC/AVCC	VCC		Power supply.
11	P54/TRCIOD		O	NC.
12	P53/TRCIOC		O	NC.
13	P52/TRCIOB		O	NC.
14	P51/TRCIOA/TRCTRG	DIRECT_KEY	I	Select DIRECT/TONE.
15	P50/TRCCLK	POWER_KEY	I	Switched power ON/OFF.
16	P27/TRDIOD1	LOCKED_LED	O	Locked LED control.
17	P26/TRDIOC1	POWER_LED	O	Power ON LED control.
18	P25/TRDIOB1	STBY_LED	O	Standby LED control.
19	P24/TRDIOA1	TONE_LED	O	TONE LED control.
20	P23/TRDIOD0	DIRECT_LED	O	DIRECT LED control.
21	P22/TRDIOC	MUTING_LED	O	Muting LED control.
22	P21/TRDIOB0	VOL_UP	O	Volume up control.
23	P20/TRDIOA/TRDCLK	VOL_DOWN	O	Volume down control.
24	P17/~INT1/TRAIO	DIR_RST	O	DIR reset output control.
25	P16/CLK0	DIR_CS	O	DIR chip select output.
26	P15/RXD0	DIR_CLK	O	DIR clock output.
27	P14/TXD0	DIR_SDO	O	DIR data output.
28	P86	DIR_SDI	I	DIR data input.
29	P85/TRFO12	ROM_SCL	O	E <sup>2</sup> PROM clocl output.
30	P84/TRFO11	ROM_SDA	I/O	E <sup>2</sup> PROM data input/output pin.
31	P83/TRFO10/TRFI		O	NC.
32	P82/TRFO02	SP_DIF	I	DIR unlock input.
33	P81/TRFO01	SYSIN	I	RI input.
34	P80/TRFO00	SYSOUT	O	RI output.
35	P60/TREO	SEL_DATA	O	Function switch data output pin. (R2S15211)
36	P45/~INT0	SEL_CLK	O	Function switch clock output pin. (R2S15211)
37	P66/~INT2/TXD1		O	For Flash starter.
38	P67/~INT3/RXD1		I	For Flash starter.
39	P65/CLK1/CLK2	HP_DET	I	Detect headphone signal.
40	P64/RXD2	HP_MUTE	O	Headphone mute data output.
41	P63/TXD2	AMUTE	O	Audio mute data output.
42	P31/TRBO	DG_MUTE	O	Driver of digital Amp. control data output pin.
43	P30/TRAO	ACPOWER	O	1st relay (Transformer) control pin.
44	P36	DAC2_CS	O	DAC2 chip select data output pin.
45	P32	DAC1_CS	O	DAC1 chip select data output pin.
46	P13/KI3/AN11	BLANCE_IN	I	Detect balance volume position input pin.
47	P12/KI2/AN10	TREBLE_IN	I	Detect treble volume position input pin.
48	P11/KI1/AN9	BASS_IN	I	Detect bass volume position input pin.
49	P10/KI0/AN8	SPEAKER_SW	I	Detect voltage of speaker A/B.
50	P00/AN7	SELECTOR_SW	I	Detect voltage pin for selector switch.
51	P01/AN6	VOL_POS	I	Detect volume position.
52	P02/AN5	IPMDET	I	IPM detect pin.
53	P03/AN4	IPMSENSE	I	IPM sensitivity voltage setting pin.
54	P04/AN3	PWR_MODE	I	Setting power supply mode.
55	P62	POFF	I	Power failure detection pin.
56	P61	PROTECT	I	Detect protection mode.
57	P05/CLK1/AN2	SHERMAL	I	Detects temperature.
58	P06/AN1/DA0	MODEL	I	Set the model.
59	VSS/AVSS	GND		GND.
60	P07/AN0/DA1	DAC_RST	O	Reset pin for DAC.
61	VREFF	VCC		Reference voltage pin.
62	VCC/AVCC	VCC		VCC.
63	P37/SSO	SPB_RL	O	Relay of speaker B control pin.

# PACKING PROCEDURE





## PARTS LIST

A-5VL

## NOTE:

! : Safety mark

&lt;MDC&gt;: Canadian model

&lt;MMB&gt;: Britain model

&lt;MDF&gt;: Taiwan model

&lt;MMR&gt;: China model

&lt;B&gt;: Black color

&lt;S&gt;: Silver color

NSP: Not service part

## NOTE:

THE COMPONENTS IDENTIFIED BY MARK ! ARE  
CRITICAL FOR RISK OF FIRE AND ELECTRIC SHOCK.  
REPLACE ONLY WITH PART NUMBER SPECIFIED.

## EXPLODED VIEW PARTS LIST

	REF. NO.	PART NAME	DESCRIPTION	Q'TY	PART NO.	REMARKS
EXPV	A001	CHASSIS	--	1	27100534B	N NSP
EXPV	A002	HEAT SINK	(L)	2	27160639A	N
EXPV	A003	HEAT SINK	(R)	1	27160640A	N
EXPV	A005	SPACER	(HO)	4	27270525	N
EXPV	A006	SPACER	T0.5*8*3.5	4	27270463	CHASSIS
EXPV	A007	HOLDER	KGLS-6S	14	27190011	CHASSIS
EXPV	A008	WIRE TIE	BSK-1	3	260208	
EXPV	A009	SCREW	3TTW+8B(3BC)	6	831430088GR	HEAT SINK
EXPV	A011	SCREW	3P+6FN(3BC)	6	82143006GR	TR-HEAT SINK
EXPV	A012	SCREW	3P+10FN(3BC)	3	82143010GR	AMP/DG PWB-HEAT SINK
EXPV	A013	SCREW	4TTC+8C(3BC)	8	830440089GR	TRANS
EXPV	A014	CLAMP	HL-18-0	2	27301394	
EXPV	A015	CLAMP	WS-2NS	1	27300833	
EXPV	A017	ISO SHEET	M80 D-2	4	223037	
EXPV	A018	TR ACCY	AC316A	4	223033	
EXPV	A019	SHEET	(H)	2	29096096	N CHASSIS-HEAT SINK
EXPV	A020	KNOB	(PHONO)	1	28326738	N
EXPV	A021	BUSHING	TB-0813	1	28170094	N REAR PANEL
EXPV	A022	CLAMP	HL-28-0	1	27301396	MAIN PWB
EXPV	A023	SPACER	T1*8*3.2PTFE	2	27270527	N HT(DIG PWB)

EXPV	A024	SPACER	T0.5*8*3.5	2	27270463	HT(DIG PWB)
EXPV	A031	F BRACKET	AS(B)	1	27111551D	N <B>
EXPV	A031	F BRACKET	AS(S)	1	27111552E	N <S>
EXPV	A032	BRACKET	(F)	1	27131066	N
EXPV	A033	SNAP PLATE	SNAP PLATE	1	27301877	HP
EXPV	A034	SCREW	3TTB+8B(3CM)SR	7	801637	BRA(F)
EXPV	A035	SCREW	3TTB+8B(3CM)SR	8	801637	F BRA
EXPV	A036	SCREW	3TTB+8B(3CM)SR	9	801637	F BRA-PWB
EXPV	A039	SCREW	3P+6FN(3BC)	2	82143006GR	MECHA SW
EXPV	A101	COVER	A-5VL(B)	1	28210046AZ	N <B> Not Bend
EXPV	A101	COVER	A-5VL(B)	1	28210046A	N <B> Bend
EXPV	A101	COVER	A-5VL(S)	1	28210047AZ	N <S> Not Bend
EXPV	A101	COVER	A-5VL(S)	1	28210047A	N <S> Bend
EXPV	A102	BOTTOM LEG	--	4	27175445A	N <B>
EXPV	A102	BOTTOM LEG	--	4	27175446A	N <S>
EXPV	A104	SCREW	4TTB+10B(3BC)	2	838440108GR	AC INLET
EXPV	A105	SCREW	3TTB+8B(3BC)	4	838430088GR	LEG
EXPV	A106	SCREW	3TTB+8B(3BC)	7	838430088GR	<B> COVER
EXPV	A106	SCREW	3TTB+8B(3CM)SR	7	801637	<S> COVER
EXPV	A107	CUSHION	T2x20x5	1	28141809	N COVER
EXPV	A110	CUSHION	(BUTYL)	1	28141748	0.08:MT
EXPV	A111	CUSHION	T0.9x400x70	1	28141816B	N
EXPV	A112	REAR PANEL	A-5VL MDC	1	27124018A	N <MDC>
EXPV	A112	REAR PANEL	A-5VL MMB	1	27124017A	N <MMB>
EXPV	A112	REAR PANEL	A-5VL MDC	1	27124018A	N <MDF>
EXPV	A112	REAR PANEL	A-5VL MMR	1	27124020A	N <MMR>
EXPV	A113	SCREW	3TTB+8B(3BC)	25	838430088GR	
EXPV	A114	CUSHION	--	4	28141774	
EXPV	A115	TRM	E Terminal	1	25060151	PHONO
EXPV	A136	KNOB	(VOL)AS(B)	2	28326734B	N <B>
EXPV	A136	KNOB	(VOL)AS(S)	2	28326735C	N <S>
EXPV	A137	KNOB	(TONE)(B)	4	28326736	N <B>
EXPV	A137	KNOB	(TONE)(S)	4	28326737A	N <S>

EXPV	A138	KNOB	(POWER)AS(B)	1	28326787	<B>
EXPV	A138	KNOB	(POWER)AS(S)	1	28326788	<S>
EXPV	A140	CUSHION	T10*10*10EPT	1	28141813	N FFC
EXPV	A141	CUSHION	T5*20*15HBK	1	28141818	N
EXPV	A143	SPACER	--	1	27270439	POWER SWITCH
EXPV	A151	F PANEL	(B)	1	27213275	N <B MDC>
EXPV	A151	F PANEL	(S)	1	27213276	N <S MMB>
EXPV	A151	F PANEL	(B)	1	27213275	N <B MMB>
EXPV	A151	F PANEL	(S)	1	27213276	N <S MDF>
EXPV	A151	F PANEL	(S)	1	27213276	N <S MMR>
EXPV	A152	CLEAR PLT	(RE)(B)	1	28192250	<B>
EXPV	A152	CLEAR PLT	(RE)(S)	1	28192251	N <S>
EXPV	A153	GUIDE	(DIRECT)(B)	1	27268243	<B>
EXPV	A153	GUIDE	(DIRECT)(S)	1	27268244	N <S>
EXPV	A154	FACET	(S)	4	28198906	
EXPV	A155	SCREW	3TTB+8B(3BC)	3	838430088GR	
EXPV	P301A	SHORT PIN	YKV11-0435N	2	25056583	
EXPV	A205	LABEL	(CAUTION)	1	29363796	<B> COVER
EXPV	A205	LABEL	(CAUTION)	1	29363797	<S>
EXPV	A304	P RIVET	JB-407A-C	8	880052	SP-TRM
EXPV	A305	LABEL	(TWN)	<< 2>>	29390852	N <S MDF> only, Supplied part from business dep.. NSP
EXPV	A310	LABEL	(CCC)	<< 1>>	29364396	<S MMR> only, Supplied part from business dep.. NSP
EXPV	F901	FUSE	3.15A-UL/T-233	1	252323GR	! <MDC>
EXPV	F901	FUSE	1.25A-SE-EAWK FUSE	1	252071GR	! <MMB>
EXPV	F901	FUSE	3.15A-UL/T-233	1	252323GR	! <MDF>
EXPV	F901	FUSE	1.25A-SE-EAWK FUSE	1	252071GR	! <MMR>
EXPV	P701	FFC	NCFC7-292512	1	2047292512	
EXPV	T901	P TRANS	NPT-1586D	1	2301963	N ! <MDC> only
EXPV	T901	P TRANS	NPT-1586M	1	2301964	! <MMB> only
EXPV	T901	P TRANS	NPT-1586D	1	2301963	! <MDF> only
EXPV	T901	P TRANS	NPT-1586M	1	2301964	! <MMR> only
EXPV	T902	P TRANS	NPT-1586D	1	2301963	N ! <MDC> only

EXPV	T902	P TRANS	NPT-1586M	1	2301964	!	<MMB> only
EXPV	T902	P TRANS	NPT-1586D	1	2301963	!	<MDF> only
EXPV	T902	P TRANS	NPT-1586M	1	2301964	!	<MMR> only
EXPV	U001	Digital Amp. Circuit PC board a'ssy	BAAF-0249-1A	1	1B237549-1A	N	
EXPV	U002	Display circuit PC board a'ssy	BADIS-0268-1A	1	1B237568-1A	N	<MDC><MDF>
EXPV	U002	Display circuit PC board a'ssy	BADIS-0268-1B	1	1B237568-1B	N	<MMB>
EXPV	U002	Display circuit PC board a'ssy	BADIS-0268-1D	1	1B237568-1D	N	<MMR>
EXPV	U003	Speaker terminal PC board a'ssy	BAASP-0269-1A	1	1B237569-1A	N	<MDC><MDF>
EXPV	U003	Speaker terminal PC board a'ssy	BAASP-0269-1B	1	1B237569-1B	N	<MMB>
EXPV	U003	Speaker terminal PC board a'ssy	BAASP-0269-1D	1	1B237569-1D	N	<MMR>
EXPV	U004	Input selector PC board a'ssy	BASW-0276-1A	1	1B237576-1A	N	<MDC><MDF>
EXPV	U004	Input selector PC board a'ssy	BASW-0276-1B	1	1B237576-1B	N	<MMB>
EXPV	U004	Input selector PC board a'ssy	BASW-0276-1D	1	1B237576-1D	N	<MMR>
EXPV	U005	Headphone terminal PC board a'ssy	BAETC-0273-1A	1	1B237573-1A	N	<MDC><MDF>
EXPV	U005	Headphone terminal PC board a'ssy	BAETC-0273-1B	1	1B237573-1B	N	<MMB>
EXPV	U005	Headphone terminal PC board a'ssy	BAETC-0273-1D	1	1B237573-1D	N	<MMR>
EXPV	U006	Volume circuit PC board a'ssy	BAETC-0274-1A	1	1B237574-1A	N	<MDC><MDF>
EXPV	U006	Volume circuit PC board a'ssy	BAETC-0274-1B	1	1B237574-1B	N	<MMB>
EXPV	U006	Volume circuit PC board a'ssy	BAETC-0274-1D	1	1B237574-1D	N	<MMR>
EXPV	U007	Remote sensor PC board a'ssy	BAETC-0275-1A	1	1B237575-1A	N	<MDC><MDF>
EXPV	U007	Remote sensor PC board a'ssy	BAETC-0275-1B	1	1B237575-1B	N	<MMB>
EXPV	U007	Remote sensor PC board a'ssy	BAETC-0275-1D	1	1B237575-1D	N	<MMR>
EXPV	U008	Power supply PC board a'ssy	BAPS-0270-1A	1	1B237570-1A	N	<MDC><MDF>
EXPV	U008	Power supply PC board a'ssy	BAPS-0270-1B	1	1B237570-1B	N	<MMB>
EXPV	U008	Power supply PC board a'ssy	BAPS-0270-1D	1	1B237570-1D	N	<MMR>
EXPV	U009	Power switch PC board	BASW-0271-1A	1	1B237571-1A	N	<MDC><MDF>
EXPV	U009	Power switch PC board	BASW-0271-1B	1	1B237571-1B	N	<MMB>
EXPV	U009	Power switch PC board	BASW-0271-1D	1	1B237571-1D	N	<MMR>
EXPV	U010	AC inlet terminal PC board	BAPS-0272-1A	1	1B237572-1A	N	<MDC><MDF>
EXPV	U010	AC inlet terminal PC board	BAPS-0272-1B	1	1B237572-1B	N	<MMB>
EXPV	U010	AC inlet terminal PC board	BAPS-0272-1D	1	1B237572-1D	N	<MMR>
EXPV	U011	Digital input circuit PC board a'ssy	BADG-0250-1A	1	1B237550-1A	N	<MDC><MDF>
EXPV	U011	Digital input circuit PC board a'ssy	BADG-0250-1B	1	1B237550-1B	N	<MMB>

EXPV U011 Digital input circuit PC board a'ssy BADG-0250-1D 1 1B237550-1D N <MMR>

**PACKIN VIEW PARTS LIST**

**A-5VL**

	REF. NO.	PART NAME	DESCRIPTION	Q'TY	PART NO.	REMARKS
PKG	A201	PAD	AS	1	29092473A	N
PKG	A202	SHEET	--	1	29095847	
PKG	A203	POLY BAG	w250xd350	1	29100250A	
PKG	A204	TAPE	Scotch tape, NITTO NO.29	1	29110149	0.2::MT
PKG	A206	INST SHEET	(CAUTION)	1	29355769	N On unit
PKG	A301	CARTON	A-5VL	1	29055020	N
PKG	A302A	UPC LABEL	A-5VL (B)MDC	{ 1}	29390843	N <B MDC>
PKG	A302A	EAN LABEL	A-5VL (S)MMB	{ 1}	29390842A	N <S MMB>
PKG	A302A	EAN LABEL	A-5VL (B)MMB	{ 1}	29390841A	N <B MMB>
PKG	A302A	EAN LABEL	A-5VL (S)MDF	{ 1}	29390845	N <S MDF>
PKG	A302A	EAN LABEL	A-5VL (S)MMR	{ 1}	29390844	N <S MMR>
PKG	A303	PP TAPE	W50 SBT-70	1	29110200	:1.5:MT
	A325	INST SHEET	CHINA ROHS	1	29355616A	<S MMR> only
PKG	A502	LABEL	(APV)	1	29390190	<S MMR> only
PKG	A551	REMO CON	RC-751S	1	24140751	N
PKG	A552	BATTERY	R6/AA(UM-3)	2	3010194	Except <MMR>
PKG	A552 or	BATTERY	R6/AA(UM-3)	(2)	3010054	Except <MMR>
PKG	A901	INST SHEET	WEEE	1	29355537A	<MMB> only
PKG	A902	WRNTY CARD	(ONKYO)	1	29365135	<MDC> only
PKG	A903	WRNTY CARD	(ONKYO-CH)	1	29365098B	<MMR> only
PKG	A912	INS MANUAL	En(A-5VL)	1	29400048	N
PKG	A913	INS MANUAL	U2Delt(A-5VL)	1	29400049	<MMB> only
PKG	A914	INS MANUAL	Fr(A-5VL)	1	29400080	N <MDC><MMB>
PKG	A915	INS MANUAL	Es(A-5VL)	1	29400081	N <MDC> only
PKG	A916	INS MANUAL	Ct(A-5VL)	1	29400082	N <MDF> only
PKG	A917	INS MANUAL	Cs(A-5VL)	1	29400083	N <MMR> only
PKG	A922	INST SHEET	U10(D-AMP)	1	29355483	

PKG	A923	INST SHEET	U7(D-AMP TUN)	1	29355523	
PKG	A924	INST SHEET	CAUTION(COMMON)	1	29355604	
PKG	P952	AC CORD	AS-UC-2	1	253352ATES	! <MDC> only
PKG	P952	AC CORD	AS-CNS	1	253432VOL	! <MDF> only
PKG	P952	AC CORD	AS-CCC	1	253358VOL	! <MMR> only
PKG	P952	AC CORD	AS-CEE-3	1	253298VOL	! <MMB> only
PKG	P952 or	AC CORD	AS-UC-2	(1)	253297KAW	! <MDC> only
PKG	P953	AC CORD	AS-BS	1	253425YUN	! <MMB> only
PKG	P953 or	AC CORD	AS-BS	(1)	253425KAW	! <MMB> only

## PRINTED CIRCUIT BOARD PARTS LIST

**A-5VL**

### NOTE:

! : Safety mark

<MDC>: Canadian model

<MMB>: Britain model

<MDF>: Taiwan model

<MMR>: China model

NSP: Not service part

<b>U008</b>	Power supply PC board BAPS-0270-1A	1B237570-1A	<MDC><MDF>
<b>U008</b>	Power supply PC board BAPS-0270-1B	1B237570-1B	<MMB>
<b>U008</b>	Power supply PC board BAPS-0270-1D	1B237570-1D	<MMR>
<b>U009</b>	Power switch PC board BASW-0271-1A	1B237571-1A	<MDC><MDF>
<b>U009</b>	Power switch PC board BASW-0271-1B	1B237571-1B	<MMB>
<b>U009</b>	Power switch PC board BASW-0271-1D	1B237571-1D	<MMR>
<b>U010</b>	AC inlet terminal PC board BAPS-0272-1A	1B237572-1A	<MDC><MDF>
<b>U010</b>	AC inlet terminal PC board BAPS-0272-1B	1B237572-1B	<MMB>
<b>U010</b>	AC inlet terminal PC board BAPS-0272-1D	1B237572-1D	<MMR>

PCB

CIRCUIT	PART NAME	DESCRIPTION	Q'TY	PART NO.	REMARKS
---------	-----------	-------------	------	----------	---------

PS0270	C951	IS C	DE1310E472M-KH	1	3300054	
PS0270	C953	IS C	MKP R46 224M	1	3800040S	
PS0270	C954	IS C	MKP R46 224M	1	3800040S	
PS0270	C955	IS C	MKP R46 224M	1	3800040S	
PS0270	C956	PLA C	DE1E3KX102ME4BA01	1	3800043S	
PS0270	C957	UTSK C	CE04W25V-3300M(UTSK)	1	398353327S	N
PS0270	C958	TF C	ECQ-V50V-104J	1	374721044T	
PS0270	C959	UTSP C	CE04W50V-10M(UTSP)	1	397581007T	
PS0270	C960	C-CERA C	CK725F1E-104Z1	1	332161040R1	
PS0270	C961	C-CERA C	CK725F1E-104Z1	1	332161040R1	
PS0270	C962	MKT C	B32529C0102J289	1	376491024T	
PS0270	C963	C-CERA C	CK725F1E-104Z1	1	332161040R1	
PS0270	D951	C-DIODE	S1NB60-4062	1	22380318R2	
PS0270	D952	C-DIODE	1SS352	1	223234R2	
PS0270	D952 or	C-DIODE	1SS355	( 1)	223269R2	
PS0270	D953	C-DIODE	1SS352	1	223234R2	
PS0270	D953 or	C-DIODE	1SS355	( 1)	223269R2	
PS0270	D954	ZENER D	UDZS5.1B	1	224550510R2	
PS0270	D955	C-DIODE	1SS352	1	223234R2	
PS0270	D955 or	C-DIODE	1SS355	( 1)	223269R2	
PS0270	F901A	FUSE HOL	NSCT-1P2031	1	25052133T	
PS0270	F901B	FUSE HOL	NSCT-1P2031	1	25052133T	
PS0270	F901C	LABEL	T1.25AL250V	1	29361580	<MMB>
PS0270	F901C	LABEL	T1.25AL250V	1	29361580	<MMR>
PS0270	L951	CHOKE COIL	NCH-3645	1	231348S	
PS0270	L952	CHOKE COIL	NCH-3646	1	231349S	
PS0270	P951	AC INLET	NPLG-2P913	1	25055960	
PS0270	P952	CRIMP AS	1672#18 BRN 15	1	206CC45151UL	
PS0270	P953	CRIMP AS	CRIMP AS	1	206CC45159UL	
PS0270	P954	SOCKET AS	NSAS-2P0903	1	2009990649UL	
PS0270	P955	PLUG	NPLG-2P632	1	25055676	
PS0270	P956	TRM-423(SCREW)	NEJITANSI ST3	1	25060495	

PS0270	P957	PLUG	NPLG-2P631	1	25055675	
PS0270	P958	PLUG	NPLG-2P631	1	25055675	
PS0270	P959	TRM-423(SCREW)	NEJITANSI ST3	1	25060495	
PS0270	P959B	PLUG	NPLG-5P133	1	25055149	
PS0270	Q951	IC	S-80127CNMC-JKM-T2	1	22241642R2	
PS0270	Q952	TR	DTC123JKA	1	2216690R2	
PS0270	R951	NF CARBON R	R25J-2.2	1	415470224T	
PS0270	R953	METAL O R	RS1/2WBJ-330	1	443523314T	
PS0270	R954	METAL O R	RS1/2WBJ-330	1	443523314T	
PS0270	R955	C-CARBON R	RN72K1J-823JE	1	435038234R1	
PS0270	R956	C-CARBON R	RN72K1J-333JE	1	435033334R1	
PS0270	R957	C-CARBON R	RN72K1J-562JE	1	435035624R1	
PS0270	R958	METAL O R	RS1/2WBJ-82	1	443528204T	
PS0270	RL951	RELAY	NRL-1P10A-DC12-140	1	25065584	
PS0270	S951	P SW	NPS-111-L687P(TV-5)	1	25035724	
PS0270	T951	P TRANS	NPT-1487D	1	2301723GR	N ! <MDC><MDF>
PS0270	T951	P TRANS	NPT-1487P	1	2301724GR	N ! <MMB>
PS0270	T951	P TRANS	NPT-1487P	1	2301724GR	N ! <MMR>

**PRINTED CIRCUIT BOARD PARTS LIST**

**A-5VL**

<b>U002</b>	Display circuit PC board BADIS-0268-1A	1B237568-1A	<MDC><MDF>
<b>U002</b>	Display circuit PC board BADIS-0268-1B	1B237568-1B	<MMB>
<b>U002</b>	Display circuit PC board BADIS-0268-1D	1B237568-1D	<MMR>
<b>U003</b>	Speaker terminal PC board BAASP-0269-1A	1B237569-1A	<MDC><MDF>
<b>U003</b>	Speaker terminal PC board BAASP-0269-1B	1B237569-1B	<MMB>
<b>U003</b>	Speaker terminal PC board BAASP-0269-1D	1B237569-1D	<MMR>
<b>U004</b>	Input selector PC board BASW-0276-1A	1B237576-1A	<MDC><MDF>
<b>U004</b>	Input selector PC board BASW-0276-1B	1B237576-1B	<MMB>
<b>U004</b>	Input selector PC board BASW-0276-1D	1B237576-1D	<MMR>
<b>U005</b>	Headphone terminal PC board BAETC-0273-1A	1B237573-1A	<MDC><MDF>
<b>U005</b>	Headphone terminal PC board BAETC-0273-1B	1B237573-1B	<MMB>



<b>U005</b>	<b>Headphone terminal PC board BAETC-0273-1D</b>	<b>1B237573-1D</b>	<b>&lt;MMR&gt;</b>
<b>U006</b>	<b>Volume circuit PC board BAETC-0274-1A</b>	<b>1B237574-1A</b>	<b>&lt;MDC&gt;&lt;MDF&gt;</b>
<b>U006</b>	<b>Volume circuit PC board BAETC-0274-1B</b>	<b>1B237574-1B</b>	<b>&lt;MMB&gt;</b>
<b>U006</b>	<b>Volume circuit PC board BAETC-0274-1D</b>	<b>1B237574-1D</b>	<b>&lt;MMR&gt;</b>
<b>U007</b>	<b>Remote sensor PC board BAETC-0275-1A</b>	<b>1B237575-1A</b>	<b>&lt;MDC&gt;&lt;MDF&gt;</b>
<b>U007</b>	<b>Remote sensor PC board BAETC-0275-1B</b>	<b>1B237575-1B</b>	<b>&lt;MMB&gt;</b>
<b>U007</b>	<b>Remote sensor PC board BAETC-0275-1D</b>	<b>1B237575-1D</b>	<b>&lt;MMR&gt;</b>

PCB	CIRCUIT	PART NAME	DESCRIPTION	Q'TY	PART NO.	REMARKS
DIS0268	C240	C-CERA C	CC725CH1H-102J1	1	342101024R1	
DIS0268	C303	MKT C	B32529C0332J289	1	376493324T	
DIS0268	C304	MKT C	B32529C0332J289	1	376493324T	
DIS0268	C305	MKT C	B32529C0102J289	1	376491024T	
DIS0268	C306	MKT C	B32529C0102J289	1	376491024T	
DIS0268	C307	UTSJ C	CE04W50V-22M(UTSJ)	1	398082207T	
DIS0268	C308	UTSJ C	CE04W50V-22M(UTSJ)	1	398082207T	
DIS0268	C309	MKT C	B32529C0222J289	1	376492224T	
DIS0268	C310	MKT C	B32529C0222J289	1	376492224T	
DIS0268	C311	UTSJ C	CE04W50V-22M(UTSJ)	1	398082207T	
DIS0268	C312	UTSJ C	CE04W50V-22M(UTSJ)	1	398082207T	
DIS0268	C313	UTSP C	CE04W25V-220M(UTSP)	1	397552217T	
DIS0268	C314	UTSP C	CE04W25V-220M(UTSP)	1	397552217T	
DIS0268	C315	TF C	ECQ-V50V-104J	1	374721044T	
DIS0268	C316	TF C	ECQ-V50V-104J	1	374721044T	
DIS0268	C317	UTSP C	CE04W25V-220M(UTSP)	1	397552217T	
DIS0268	C318	UTSP C	CE04W25V-220M(UTSP)	1	397552217T	
DIS0268	C319	UPZ C	2AUPZTF221JE	1	376332214T	
DIS0268	C320	UPZ C	2AUPZTF221JE	1	376332214T	
DIS0268	C323	UPZ C	2AUPZTF221JE	1	376332214T	
DIS0268	C324	UPZ C	2AUPZTF221JE	1	376332214T	
DIS0268	C325	UPZ C	2AUPZTF221JE	1	376332214T	
DIS0268	C326	UPZ C	2AUPZTF221JE	1	376332214T	

DIS0268	C331	UPZ C	2AUPZTF221JE	1	376332214T	
DIS0268	C332	UPZ C	2AUPZTF221JE	1	376332214T	
DIS0268	C341	UPZ C	2AUPZTF221JE	1	376332214T	
DIS0268	C342	UPZ C	2AUPZTF221JE	1	376332214T	
DIS0268	C349	TF C	ECQ-V50V-223J	1	374722234T	
DIS0268	C350	TF C	ECQ-V50V-223J	1	374722234T	
DIS0268	C351	TF C	ECQ-V50V-104J	1	374721044T	
DIS0268	C352	TF C	ECQ-V50V-104J	1	374721044T	
DIS0268	C353	TF C	ECQ-V50V-104J	1	374721044T	
DIS0268	C354	TF C	ECQ-V50V-104J	1	374721044T	
DIS0268	C355	UTSJ C	CE04W25V-220M(UTSJ)	1	398052217T	
DIS0268	C356	UTSJ C	CE04W25V-220M(UTSJ)	1	398052217T	
DIS0268	C359	UTSK C	CE04W25V-1000M(UTSK)	1	398351027S	
DIS0268	C360	UTSK C	CE04W25V-1000M(UTSK)	1	398351027S	
DIS0268	C361	UTSP C	CE04W50V-10M(UTSP)	1	397581007T	
DIS0268	C362	UTSP C	CE04W50V-10M(UTSP)	1	397581007T	
DIS0268	C363	UTSP C	CE04W50V-47M(UTSP)	1	397584707T	
DIS0268	C364	UTSP C	CE04W50V-47M(UTSP)	1	397584707T	
DIS0268	C365	UTSK C	CE04W16V-1000M(UTSK)	1	398341027S	N
DIS0268	C366	UTSK C	CE04W16V-1000M(UTSK)	1	398341027S	N
DIS0268	C367	UTSJ C	CE04W50V-47M(UTSJ)	1	398084707T	
DIS0268	C368	UTSJ C	CE04W50V-47M(UTSJ)	1	398084707T	
DIS0268	C371	TF C	ECQ-V50V-104J	1	374721044T	
DIS0268	C372	TF C	ECQ-V50V-104J	1	374721044T	
DIS0268	C373	TF C	ECQ-V50V-104J	1	374721044T	
DIS0268	C374	TF C	ECQ-V50V-104J	1	374721044T	
DIS0268	C375	UTSP C	CE04W50V-22M(UTSP)	1	397582207T	
DIS0268	C376	UTSP C	CE04W50V-22M(UTSP)	1	397582207T	
DIS0268	C377	UPZ C	2AUPZTF101JE	1	376331014T	
DIS0268	C378	UPZ C	2AUPZTF101JE	1	376331014T	
DIS0268	C379	UTSP C	CE04W25V-220M(UTSP)	1	397552217T	
DIS0268	C380	UTSP C	CE04W25V-220M(UTSP)	1	397552217T	
DIS0268	C381	TF C	ECQ-V50V-104J	1	374721044T	

DIS0268	C382	TF C	ECQ-V50V-104J	1	374721044T
DIS0268	C383	MKT C	B32529C0102J289	1	376491024T
DIS0268	C384	MKT C	B32529C0102J289	1	376491024T
DIS0268	C385	TF C	ECQ-V50V-104J	1	374721044T
DIS0268	C386	TF C	ECQ-V50V-104J	1	374721044T
DIS0268	C389	MKT C	B32529C0222J289	1	376492224T
DIS0268	C390	MKT C	B32529C0222J289	1	376492224T
DIS0268	C391	UTSP C	CE04W25V-100M(UTSP)	1	397551017T
DIS0268	C392	UTSP C	CE04W25V-100M(UTSP)	1	397551017T
DIS0268	C393	UTSP C	CE04W25V-100M(UTSP)	1	397551017T
DIS0268	C394	UTSP C	CE04W25V-100M(UTSP)	1	397551017T
DIS0268	C395	UPZ C	2AUPZTF101JE	1	376331014T
DIS0268	C396	UPZ C	2AUPZTF101JE	1	376331014T
DIS0268	C397	UTSP C	CE04W25V-220M(UTSP)	1	397552217T
DIS0268	C398	UTSP C	CE04W25V-220M(UTSP)	1	397552217T
DIS0268	C399	UTSJ C	CE04W25V-220M(UTSJ)	1	398052217T
DIS0268	C400	UTSJ C	CE04W25V-220M(UTSJ)	1	398052217T
DIS0268	C401	UTSJ C	CE04W25V-220M(UTSJ)	1	398052217T
DIS0268	C402	UTSJ C	CE04W25V-220M(UTSJ)	1	398052217T
DIS0268	C403	UTSP C	CE04W25V-100M(UTSP)	1	397551017T
DIS0268	C404	UTSP C	CE04W25V-100M(UTSP)	1	397551017T
DIS0268	C405	UTSP C	CE04W25V-100M(UTSP)	1	397551017T
DIS0268	C406	UTSP C	CE04W25V-100M(UTSP)	1	397551017T
DIS0268	C407	MKT C	B32529C0102J289	1	376491024T
DIS0268	C408	MKT C	B32529C0102J289	1	376491024T
DIS0268	C409	UTSP C	CE04W25V-220M(UTSP)	1	397552217T
DIS0268	C410	UTSP C	CE04W25V-220M(UTSP)	1	397552217T
DIS0268	C635	UTSP C	CE04W50V 47M(UTSP)	1	397584707T
DIS0268	C636	UTSP C	CE04W50V 47M(UTSP)	1	397584707T
DIS0268	C637	C-CERA C	CK725F1E-104Z1	1	332161040R1
DIS0268	C638	C-CERA C	CK725F1E-104Z1	1	332161040R1
DIS0268	C639	C-CERA C	CK725F1E-104Z1	1	332161040R1
DIS0268	C640	C-CERA C	CK725F1E-104Z1	1	332161040R1

DIS0268	C641	C-CERA C	CK725F1E-104Z1	1	332161040R1
DIS0268	C642	C-CERA C	CK725F1E-104Z1	1	332161040R1
DIS0268	C701	C-CERA C	CK725F1E-104Z1	1	332161040R1
DIS0268	C702	UTSP C	CE04W16V-470M(UTSP)	1	397544717T
DIS0268	C703	C-CERA C	CK725F1E-104Z1	1	332161040R1
DIS0268	C704	C-CERA C	CK725F1E-104Z1	1	332161040R1
DIS0268	C705	C-CERA C	CC725CH1H-102J1	1	342101024R1
DIS0268	C706	C-CERA C	CC725CH1H-102J1	1	342101024R1
DIS0268	C707	C-CERA C	CC725CH1H-101J1	1	342101014R1
DIS0268	C708	C-CERA C	CC725CH1H-101J1	1	342101014R1
DIS0268	C709	C-CERA C	CK725F1E-104Z1	1	332161040R1
DIS0268	C710	C-CERA C	CC725CH1H-102J1	1	342101024R1
DIS0268	C711	C-CERA C	CC725CH1H-102J1	1	342101024R1
DIS0268	C712	C-CERA C	CC725CH1H-102J1	1	342101024R1
DIS0268	C713	C-CERA C	CK725F1E-104Z1	1	332161040R1
DIS0268	C714	C-CERA C	CC725CH1H-102J1	1	342101024R1
DIS0268	C715	C-CERA C	CK725F1E-104Z1	1	332161040R1
DIS0268	C716	C-CERA C	CK725F1E-104Z1	1	332161040R1
DIS0268	C717	ELECT C	CE04W50V-22M	1	355782209T
DIS0268	C718	UTSP C	CE04W10V-100M(UTSP)	1	397531017T
DIS0268	C719	C-CERA C	CK725B1H-223K1	1	332102235R1
DIS0268	C720	C-CERA C	CK725B1H-223K1	1	332102235R1
DIS0268	C721	C-CERA C	CK725B1H-223K1	1	332102235R1
DIS0268	C722	C-CERA C	CK725B1H-223K1	1	332102235R1
DIS0268	C723	C-CERA C	CK725B1H-223K1	1	332102235R1
DIS0268	C724	C-CERA C	CK725B1H-223K1	1	332102235R1
DIS0268	C725	C-CERA C	CK725B1H-223K1	1	332102235R1
DIS0268	C726	C-CERA C	CK725B1H-223K1	1	332102235R1
DIS0268	C727	C-CERA C	CK725B1H-223K1	1	332102235R1
DIS0268	C728	C-CERA C	CK725B1H-223K1	1	332102235R1
DIS0268	C729	C-CERA C	CK725B1H-223K1	1	332102235R1
DIS0268	C730	C-CERA C	CK725B1H-223K1	1	332102235R1
DIS0268	C731	C-CERA C	CK725B1H-223K1	1	332102235R1

DIS0268	C732	C-CERA C	CC725CH1H-102J1	1	342101024R1	
DIS0268	C733	ELECT C	CE04W16V-100M	1	355741019T	
DIS0268	C734	C-CERA C	CK725F1E-104Z1	1	332161040R1	
DIS0268	C735	ELECT C	CE04W16V-47M(S)	1	353744709T	
DIS0268	C738	ELECT C	CE04W16V-47M(S)	1	353744709T	
DIS0268	C740	ELECT C	CE04W16V-47M(S)	1	353744709T	
DIS0268	C901	TF C	ECQ-V50V-104J	1	374721044T	
DIS0268	C902	TF C	ECQ-V50V-104J	1	374721044T	
DIS0268	C903	TF C	ECQ-V50V-104J	1	374721044T	
DIS0268	C904	TF C	ECQ-V50V-104J	1	374721044T	
DIS0268	C905	TF C	ECQ-V50V-104J	1	374721044T	
DIS0268	C906	TF C	ECQ-V50V-104J	1	374721044T	
DIS0268	C907	TF C	ECQ-V50V-104J	1	374721044T	
DIS0268	C908	TF C	ECQ-V50V-104J	1	374721044T	
DIS0268	C909	ELECT C	CE69W50V-10000M	1	3504470	N
DIS0268	C910	ELECT C	CE69W50V-10000M	1	3504470	N
DIS0268	C911	ELECT C	CE69W50V-10000M	1	3504470	N
DIS0268	C912	ELECT C	CE69W50V-10000M	1	3504470	N
DIS0268	C913	C-CERA C	CK725F1E-104Z1	1	332161040R1	
DIS0268	C914	C-CERA C	CK725F1E-104Z1	1	332161040R1	
DIS0268	C915	C-CERA C	CK725F1E-104Z1	1	332161040R1	
DIS0268	C916	C-CERA C	CK725F1E-104Z1	1	332161040R1	
DIS0268	C917	UTSK C	CE04W35V-1000M(UTSK)	1	398361027S	N
DIS0268	C918	UTSK C	CE04W35V-1000M(UTSK)	1	398361027S	N
DIS0268	C919	UTSP C	CE04W25V-47M(UTSP)	1	397554707T	
DIS0268	C920	UTSP C	CE04W25V-47M(UTSP)	1	397554707T	
DIS0268	C921	PLA C	ECWF(S)250V-334	1	3700101S	N
DIS0268	C922	PLA C	ECWF(S)250V-334	1	3700101S	N
DIS0268	C923	PLA C	ECQE250V-153J	1	3700077S	
DIS0268	C924	PLA C	ECQE250V-153J	1	3700077S	
DIS0268	C925	TF C	ECQ-V100V-104J	1	374731044T	
DIS0268	C926	TF C	ECQ-V100V-104J	1	374731044T	
DIS0268	C927	MKT C	B32529C0102J289	1	376491024T	

DIS0268	C928	MKT C	B32529C0102J289	1	376491024T
DIS0268	C929	MKT C	B32529C0102J289	1	376491024T
DIS0268	C930	MKT C	B32529C0102J289	1	376491024T
DIS0268	C931	TF C	ECQ-V50V-104J	1	374721044T
DIS0268	C932	TF C	ECQ-V50V-104J	1	374721044T
DIS0268	C935	C-CERA C	CC725CH1H-101J1	1	342101014R1
DIS0268	C936	C-CERA C	CC725CH1H-101J1	1	342101014R1
DIS0268	C937	VR C	CE04W25V-2200M(VR)	1	394652227S
DIS0268	C938	VR C	CE04W25V-2200M(VR)	1	394652227S
DIS0268	C941	UTSP C	CE04W50V-10M(UTSP)	1	397581007T
DIS0268	C942	UTSP C	CE04W50V-10M(UTSP)	1	397581007T
DIS0268	C943	UTSP C	CE04W50V-10M(UTSP)	1	397581007T
DIS0268	C944	UTSP C	CE04W50V-10M(UTSP)	1	397581007T
DIS0268	C945	TF C	ECQ-V50V-104J	1	374721044T
DIS0268	D301	C-DIODE	1SS352	1	223234R2
DIS0268	D302	C-DIODE	1SS352	1	223234R2
DIS0268	D305	C-DIODE	1SS352	1	223234R2
DIS0268	D306	C-DIODE	1SS352	1	223234R2
DIS0268	D307	ZENER D	UDZS7.5B	1	224550750R2
DIS0268	D308	ZENER D	UDZS7.5B	1	224550750R2
DIS0268	D311	C-DIODE	1SS352	1	223234R2
DIS0268	D312	C-DIODE	1SS352	1	223234R2
DIS0268	D313	C-DIODE	1SS352	1	223234R2
DIS0268	D314	C-DIODE	1SS352	1	223234R2
DIS0268	D315	C-DIODE	1SS352	1	223234R2
DIS0268	D316	C-DIODE	1SS352	1	223234R2
DIS0268	D317	C-DIODE	1SS352	1	223234R2
DIS0268	D318	C-DIODE	1SS352	1	223234R2
DIS0268	D319	C-DIODE	1SS352	1	223234R2
DIS0268	D320	C-DIODE	1SS352	1	223234R2
DIS0268	D321	C-DIODE	1SS352	1	223234R2
DIS0268	D322	C-DIODE	1SS352	1	223234R2
DIS0268	D609	ZENER D	UDZS5.6B	1	224550560R2

DIS0268	D610	ZENER D	UDZS5.6B	1	224550560R2
DIS0268	D611	ZENER D	UDZS5.6B	1	224550560R2
DIS0268	D612	ZENER D	UDZS5.6B	1	224550560R2
DIS0268	D701	C-DIODE	1SS352	1	223234R2
DIS0268	D701 or	C-DIODE	1SS355	( 1)	223269R2
DIS0268	D702	ZENER D	UDZS5.6B	1	224550560R2
DIS0268	D703	C-DIODE	1SS352	1	223234R2
DIS0268	D704	LED	SCB3318E-D2	1	225487
DIS0268	D705	LED	SCB3318E-D2	1	225487
DIS0268	D706	LED	SCB3318E-D2	1	225487
DIS0268	D708	LED	SCB3318E-D2	1	225487
DIS0268	D710	C-DIODE	1SS352	1	223234R2
DIS0268	D710 or	C-DIODE	1SS355	( 1)	223269R2
DIS0268	D901	DIODE	LN25XB60	1	22380345
DIS0268	D901A	HEAT-SINK	HEAT-SINK(DX-200)	1	27160166
DIS0268	D901B	SCREW	3P+6FN(3BC)	1	82143006GR
DIS0268	D902	DIODE	LN25XB60	1	22380345
DIS0268	D902A	HEAT-SINK	HEAT-SINK(DX-200)	1	27160166
DIS0268	D902B	SCREW	3P+6FN(3BC)	1	82143006GR
DIS0268	D903	C-DIODE	S1NB60-4062	1	22380318R2
DIS0268	D904	C-DIODE	S1NB60-4062	1	22380318R2
DIS0268	D905	C-DIODE	1SS352	1	223234R2
DIS0268	D905 or	C-DIODE	1SS355	( 1)	223269R2
DIS0268	D906	C-DIODE	1SS352	1	223234R2
DIS0268	D906 or	C-DIODE	1SS355	( 1)	223269R2
DIS0268	D907	ZENER D	UDZS24B	1	224552400R2
DIS0268	D908	ZENER D	UDZS24B	1	224552400R2
DIS0268	D909	C-DIODE	S1NB60-4062	1	22380318R2
DIS0268	D913	C-DIODE	1SS352	1	223234R2
DIS0268	D914	C-DIODE	1SS352	1	223234R2
DIS0268	D915	C-DIODE	1SS352	1	223234R2
DIS0268	D916	C-DIODE	1SS352	1	223234R2
DIS0268	JL301	JUMPER LEAD	JL7 150 UL2651#24	1	7J150606B15

DIS0268	JL301A	WIRE TRAP	NPLG-7P590	1	25055628	
DIS0268	JL301B	WIRE HOL	NSCT-7P878	1	25051091	
DIS0268	JL302	PVC	1007#24 .2/7HAND B	1	72120060505	
DIS0268	JL303	PVC	1007#24 .2/7HAND B	1	72120060505	
DIS0268	JL351	JUMPER LEAD	JL3 100 B(6-6)	1	3J100606B15	
DIS0268	JL351A	WIRE HOL	NSCT-3P874	1	25051087	
DIS0268	JL351B	WIRE HOL	NSCT-3P874	1	25051087	
DIS0268	JL702	JUMPER LEAD	JL5 150 B	1	5J150606B15	
DIS0268	JL702A	WIRE HOL	NSCT-5P876	1	25051089	
DIS0268	JL702B	WIRE TRAP	NPLG-5P588	1	25055626	
DIS0268	JL703	JUMPER LEAD	JL3 100 B(6-6)	1	3J100606B15	
DIS0268	JL703A	WIRE HOL	NSCT-3P874	1	25051087	
DIS0268	JL703B	WIRE HOL	NSCT-3P874	1	25051087	
DIS0268	L301	CHOKE COIL	LBC2518T220M	1	231364M220R2	
DIS0268	L302	CHOKE COIL	LBC2518T220M	1	231364M220R2	
DIS0268	L303	CHOKE COIL	LBC2518T220M	1	231364M220R2	
DIS0268	L304	CHOKE COIL	LBC2518T220M	1	231364M220R2	
DIS0268	L901	CHOKE COIL	NCH-1644	1	231346K220	
DIS0268	L902	CHOKE COIL	NCH-1644	1	231346K220	
DIS0268	L903	CHOKE COIL	NCH-1537	1	231358	
DIS0268	L904	CHOKE COIL	NCH-1537	1	231358	
DIS0268	P202B	PLUG	NPLG-9P0964	1	25056014	
DIS0268	P301	PIN JACK	NPJ-2PDWR705	1	25045939A	Silver
DIS0268	P302	PIN JACK	NPJ-2PDWR705	1	25045939A	Silver
DIS0268	P303	PIN JACK	NPJ-2PDWR705	1	25045939A	Silver
DIS0268	P304	PIN JACK	NPJ-2PDWR705	1	25045939A	Silver
DIS0268	P305	PIN JACK	NPJ-2PDWR705	1	25045939A	Silver
DIS0268	P308	PIN JACK	NPJ-2PDWR705	1	25045939A	Silver
DIS0268	P309	ST JACK	MSJ-035-22	1	25045887	
DIS0268	P310	TRM-423(SCREW)	NEJITANSI ST3	1	25060495	
DIS0268	P401A	SOCKET AS	NSAS-10P1720	1	200C4291015UL	
DIS0268	P401B	PLUG	NPLG-5P352	1	25055369	
DIS0268	P603B	PLUG	NPLG-9P0964	1	25056014	



DIS0268	P605B	PLUG	NPLG-7P121	1	25055137		
DIS0268	P701A	SOCKET	NSCT-29P2122	1	25052225		
DIS0268	P701B	SOCKET	NSCT-29P2159	1	25052262		
DIS0268	P702	PLUG	NPLG-8P660	1	25055704		
DIS0268	P881	ST JACK	MSJ-064-05A SR	1	25045783		Silver
DIS0268	P882	CRIMP AS	.	1	2061712080UL		
DIS0268	P901	TRM	NTM-4PDMRR427	1	25060501	N	Gold
DIS0268	P902	TRM	NTM-4PDMRR426	1	25060500	N	Gold
DIS0268	P903	PLUG	NPLG-4P151	1	25055167		
DIS0268	P904	PLUG	NPLG-4P151	1	25055167		
DIS0268	P905	PLUG	NPLG-2P149	1	25055165		
DIS0268	P906	PLUG	NPLG-2P149	1	25055165		
DIS0268	P907	RETAINER	(BUS-C)	1	27142043		
DIS0268	P907A	TAPE	TAPE(CLOTH-8U)	1	29110082		
DIS0268	P908	RETAINER	(BUS-C)	1	27142043		
DIS0268	P908A	TAPE	TAPE(CLOTH-8U)	1	29110082		
DIS0268	P909	RETAINER	(BUS-G)	1	27142157	N	GND
DIS0268	P910	RETAINER	(BUS-G)	1	27142157	N	GND
DIS0268	P911	PLUG	NPLG-2P29	1	25055038		
DIS0268	P912	PLUG	NPLG-2P29	1	25055038		
DIS0268	P913	PLUG	NPLG-2P29	1	25055038		
DIS0268	P914	PLUG	NPLG-2P29	1	25055038		
DIS0268	P959A	SOCKET AS	NSAS-10P1816	1	200C4391005UL	N	
DIS0268	P960	TRM-423(SCREW)	NEJITANSI ST3	1	25060495		
DIS0268	Q301	TR	2SA970-BL(TPE2_F)	1	2211396T		
DIS0268	Q302	TR	2SA970-BL(TPE2_F)	1	2211396T		
DIS0268	Q303	TR	2SC2240-BL(TPE2_F)	1	2211406T		
DIS0268	Q304	TR	2SC2240-BL(TPE2_F)	1	2211406T		
DIS0268	Q305	TR	2SC2240-BL(TPE2_F)	1	2211406T		
DIS0268	Q306	TR	2SC2240-BL(TPE2_F)	1	2211406T		
DIS0268	Q307	TR	2SA970-BL(TPE2_F)	1	2211396T		
DIS0268	Q308	TR	2SA970-BL(TPE2_F)	1	2211396T		
DIS0268	Q309	TR	2SA970-BL(TPE2_F)	1	2211396T		

DIS0268	Q310	TR	2SA970-BL(TPE2_F)	1	2211396T
DIS0268	Q311	TR	2SC2240-BL(TPE2_F)	1	2211406T
DIS0268	Q312	TR	2SC2240-BL(TPE2_F)	1	2211406T
DIS0268	Q313	TR	2SA965-Y(TPE6_F)	1	2211644T
DIS0268	Q314	TR	2SA965-Y(TPE6_F)	1	2211644T
DIS0268	Q315	TR	2SC2235-Y(TPE6_F)	1	2211654T
DIS0268	Q316	TR	2SC2235-Y(TPE6_F)	1	2211654T
DIS0268	Q317	TR	2SC2235-Y(TPE6_F)	1	2211654T
DIS0268	Q318	TR	2SC2235-Y(TPE6_F)	1	2211654T
DIS0268	Q319	TR	2SA965-Y(TPE6_F)	1	2211644T
DIS0268	Q320	TR	2SA965-Y(TPE6_F)	1	2211644T
DIS0268	Q321	IC	NE5532APSR	1	22242283R2
DIS0268	Q322	IC	NE5532APSR	1	22242283R2
DIS0268	Q327	IC	R2S15211FP	1	22242297R3
DIS0268	Q331	TR	2SA1488-Y	1	2203394
DIS0268	Q331 or	TR	2SA1488-O	(1)	2203393
DIS0268	Q332	TR	2SC3851-Y	1	2203384
DIS0268	Q332 or	TR	2SC3851-O	(1)	2203383
DIS0268	Q333	TR	2SC2712-GR	1	2213145R2
DIS0268	Q334	TR	2SA1162-GR	1	2214375R2
DIS0268	Q335	TR	RN2402	1	2214530R2
DIS0268	Q336	TR	RN2402	1	2214530R2
DIS0268	Q338	IC	NJM4556AM	1	22241414R2
DIS0268	Q339	TR	2SD655-E	1	2211705T
DIS0268	Q339 or	TR	2SD655-F	(1)	2211706T
DIS0268	Q340	TR	2SD655-E	1	2211705T
DIS0268	Q340 or	TR	2SD655-F	(1)	2211706T
DIS0268	Q341	TR	2SD655-E	1	2211705T
DIS0268	Q341 or	TR	2SD655-F	(1)	2211706T
DIS0268	Q342	TR	2SD655-E	1	2211705T
DIS0268	Q342 or	TR	2SD655-F	(1)	2211706T
DIS0268	Q343	TR	RN1441	1	2215410R2
DIS0268	Q344	TR	RN1441	1	2215410R2

DIS0268	Q345	IC	78M18HF(NJM78M18FA)	1	222780185JRC	
DIS0268	Q345A	RADIATOR	RAD-51	1	27160145	
DIS0268	Q345B	SCREW	3P+6FN(3BC)	1	82143006GR	
DIS0268	Q346	IC	79M18HF(NJM79M18FA)	1	222790185JRC	
DIS0268	Q346A	RADIATOR	RAD-51	1	27160145	
DIS0268	Q346B	SCREW	3P+6FN(3BC)	1	82143006GR	
DIS0268	Q347	IC	78M18HF(NJM78M18FA)	1	222780185JRC	
DIS0268	Q348	IC	79M18HF(NJM79M18FA)	1	222790185JRC	
DIS0268	Q349	TR	RN1441	1	2215410R2	
DIS0268	Q350	TR	RN1441	1	2215410R2	
DIS0268	Q619	TR	HN1C01F-GR(TE85L_F)	1	2215925R2	
DIS0268	Q620	TR	HN1C01F-GR(TE85L_F)	1	2215925R2	
DIS0268	Q625	TR	HN1C01F-GR(TE85L_F)	1	2215925R2	
DIS0268	Q626	TR	HN1C01F-GR(TE85L_F)	1	2215925R2	
DIS0268	Q701	IC	R5F212A7SNFA	1	222W0099R3	N
DIS0268	Q702	IC	TA4805BF(TE16L_NQ)	1	22278005DBR2TO	
DIS0268	Q702 or	IC	TA4805AF(TE16L_NQ)	( 1)	22278005DR2TO	
DIS0268	Q703	IC	S-24CS16A0I-J8V1G	1	22242326R2	
DIS0268	Q704	TR	RN2402	1	2214530R2	
DIS0268	Q705	TR	RN1402	1	2214470R2	
DIS0268	Q706	IC	TA7291SG(5_J)	1	22240239	
DIS0268	Q901	IC	78M12HF(NJM78M12FA)	1	222780125JRC	
DIS0268	Q902	IC	78M12HF(NJM78M12FA)	1	222780125JRC	
DIS0268	Q903	TR	DTC123JKA	1	2216690R2	
DIS0268	Q904	TR	DTC123JKA	1	2216690R2	
DIS0268	Q905	PHT CP	TLP283-4(TP,PF)	1	24120130R2	
DIS0268	Q907	TR	2SA1162-GR	1	2214375R2	
DIS0268	Q908	TR	2SC2712-GR	1	2213145R2	
DIS0268	Q909	TR	2SA1488-Y	1	2203394	
DIS0268	Q909 or	TR	2SA1488-O	( 1)	2203393	
DIS0268	Q909A	HEAT SINK	RAD-121	1	27160444	
DIS0268	Q909B	SCREW	3P+6FN(3BC)	1	82143006GR	
DIS0268	Q910	TR	2SC3851-Y	1	2203384	

DIS0268	Q910 or	TR	2SC3851-O	( 1)	2203383	
DIS0268	Q910A	HEAT SINK	RAD-121	1	27160444	
DIS0268	Q910B	SCREW	3P+6FN(3BC)	1	82143006GR	
DIS0268	Q911	TR	2SC2712-GR	1	2213145R2	
DIS0268	Q912	TR	2SA1162-GR	1	2214375R2	
DIS0268	Q915	TR	2SA1162-GR	1	2214375R2	
DIS0268	Q916	TR	2SC2712-GR	1	2213145R2	
DIS0268	R301	JMP WIRE	TA050	1	78002	
DIS0268	R302	JMP WIRE	TA050	1	78002	
DIS0268	R303	METAL R	RNU1/4WCF-47K	1	4500335T	N
DIS0268	R304	METAL R	RNU1/4WCF-47K	1	4500335T	N
DIS0268	R305	CARBON R	R16J-4.7K	1	417344724T	
DIS0268	R306	CARBON R	R16J-4.7K	1	417344724T	
DIS0268	R307	METAL R	RNU1/4WCF-18	1	4500341T	N
DIS0268	R308	METAL R	RNU1/4WCF-18	1	4500341T	N
DIS0268	R309	METAL R	RNU1/4WCF-18	1	4500341T	N
DIS0268	R310	METAL R	RNU1/4WCF-18	1	4500341T	N
DIS0268	R311	CARBON R	R16J-4.7K	1	417344724T	
DIS0268	R312	CARBON R	R16J-4.7K	1	417344724T	
DIS0268	R313	CARBON R	R16J-470	1	417344714T	
DIS0268	R314	CARBON R	R16J-470	1	417344714T	
DIS0268	R315	METAL R	RNU1/4WCF-10	1	4500337T	N
DIS0268	R316	METAL R	RNU1/4WCF-10	1	4500337T	N
DIS0268	R317	METAL R	RNU1/4WCF-10	1	4500337T	N
DIS0268	R318	METAL R	RNU1/4WCF-10	1	4500337T	N
DIS0268	R319	CARBON R	R16J-470	1	417344714T	
DIS0268	R320	CARBON R	R16J-470	1	417344714T	
DIS0268	R321	C-CARBON R	RN72K1J-103JE	1	435031034R1	
DIS0268	R322	CARBON R	R16J-10K	1	417341034T	
DIS0268	R323	METAL R	RNU1/4WCF-751	1	4500318	
DIS0268	R324	METAL R	RNU1/4WCF-751	1	4500318	
DIS0268	R325	METAL R	RNU1/4WCF-33	1	4500340	N
DIS0268	R326	METAL R	RNU1/4WCF-33	1	4500340	N

DIS0268	R327	CARBON R	R16J-1K	1	417341024T
DIS0268	R328	CARBON R	R16J-1K	1	417341024T
DIS0268	R329	CARBON R	R16J-330K	1	417343344T
DIS0268	R330	CARBON R	R16J-330K	1	417343344T
DIS0268	R331	CARBON R	R16J-47K	1	417344734T
DIS0268	R332	CARBON R	R16J-47K	1	417344734T
DIS0268	R333	C-CARBON R	RN72K1J-333JE	1	435033334R1
DIS0268	R334	C-CARBON R	RN72K1J-333JE	1	435033334R1
DIS0268	R335	C-CARBON R	RN72K1J-333JE	1	435033334R1
DIS0268	R336	C-CARBON R	RN72K1J-333JE	1	435033334R1
DIS0268	R337	CARBON R	R16J-22	1	417342204T
DIS0268	R338	CARBON R	R16J-22	1	417342204T
DIS0268	R339	CARBON R	R16J-22	1	417342204T
DIS0268	R340	CARBON R	R16J-22	1	417342204T
DIS0268	R341	CARBON R	R16J-22	1	417342204T
DIS0268	R342	CARBON R	R16J-22	1	417342204T
DIS0268	R343	CARBON R	R16J-22	1	417342204T
DIS0268	R344	CARBON R	R16J-22	1	417342204T
DIS0268	R345	CARBON R	R16J-1K	1	417341024T
DIS0268	R346	CARBON R	R16J-1K	1	417341024T
DIS0268	R347	C-CARBON R	RN72K1J-220JE	1	435032204R1
DIS0268	R348	C-CARBON R	RN72K1J-220JE	1	435032204R1
DIS0268	R349	CARBON R	R16J-220K	1	417342244T
DIS0268	R350	CARBON R	R16J-220K	1	417342244T
DIS0268	R351	C-CARBON R	RN72K1J-223JE	1	435032234R1
DIS0268	R352	C-CARBON R	RN72K1J-223JE	1	435032234R1
DIS0268	R353	C-CARBON R	RN72K1J-474JE	1	435034744R1
DIS0268	R354	C-CARBON R	RN72K1J-474JE	1	435034744R1
DIS0268	R355	C-CARBON R	RN72K1J-103JE	1	435031034R1
DIS0268	R356	C-CARBON R	RN72K1J-103JE	1	435031034R1
DIS0268	R357	C-CARBON R	RN72K1J-473JE	1	435034734R1
DIS0268	R358	C-CARBON R	RN72K1J-473JE	1	435034734R1
DIS0268	R359	C-CARBON R	RN72K1J-103JE	1	435031034R1

DIS0268	R360	C-CARBON R	RN72K1J-103JE	1	435031034R1
DIS0268	R363	CARBON R	R16J-330	1	417343314T
DIS0268	R364	CARBON R	R16J-330	1	417343314T
DIS0268	R365	CARBON R	R16J-220K	1	417342244T
DIS0268	R366	CARBON R	R16J-220K	1	417342244T
DIS0268	R367	CARBON R	R16J-330	1	417343314T
DIS0268	R368	CARBON R	R16J-330	1	417343314T
DIS0268	R369	CARBON R	R16J-220K	1	417342244T
DIS0268	R370	CARBON R	R16J-220K	1	417342244T
DIS0268	R371	CARBON R	R16J-2.2K	1	417342224T
DIS0268	R372	CARBON R	R16J-2.2K	1	417342224T
DIS0268	R373	CARBON R	R16J-47K	1	417344734T
DIS0268	R374	CARBON R	R16J-47K	1	417344734T
DIS0268	R377	CARBON R	R16J-330	1	417343314T
DIS0268	R378	CARBON R	R16J-330	1	417343314T
DIS0268	R379	CARBON R	R16J-220K	1	417342244T
DIS0268	R380	CARBON R	R16J-220K	1	417342244T
DIS0268	R391	CARBON R	R16J-330	1	417343314T
DIS0268	R392	CARBON R	R16J-330	1	417343314T
DIS0268	R393	CARBON R	R16J-220K	1	417342244T
DIS0268	R394	CARBON R	R16J-220K	1	417342244T
DIS0268	R395	CARBON R	R16J-4.7K	1	417344724T
DIS0268	R396	CARBON R	R16J-4.7K	1	417344724T
DIS0268	R397	C-CARBON R	RN72K1J-103JE	1	435031034R1
DIS0268	R398	C-CARBON R	RN72K1J-103JE	1	435031034R1
DIS0268	R399	METAL O R	RS1WBJ-100	1	443621014T
DIS0268	R400	METAL O R	RS1WBJ-100	1	443621014T
DIS0268	R401	C-CARBON R	RN72K1J-272JE	1	435032724R1
DIS0268	R402	C-CARBON R	RN72K1J-272JE	1	435032724R1
DIS0268	R403	C-CARBON R	RN72K1J-561JE	1	435035614R1
DIS0268	R404	C-CARBON R	RN72K1J-561JE	1	435035614R1
DIS0268	R405	CARBON R	R16J-2.2K	1	417342224T
DIS0268	R406	CARBON R	R16J-2.2K	1	417342224T

DIS0268	R407	CARBON R	R16J-220K	1	417342244T
DIS0268	R408	CARBON R	R16J-220K	1	417342244T
DIS0268	R409	CARBON R	R16J-4.7K	1	417344724T
DIS0268	R410	CARBON R	R16J-4.7K	1	417344724T
DIS0268	R411	CARBON R	R16J-120	1	417341214T
DIS0268	R412	CARBON R	R16J-120	1	417341214T
DIS0268	R413	CARBON R	R16J-100	1	417341014T
DIS0268	R414	CARBON R	R16J-100	1	417341014T
DIS0268	R415	CARBON R	R16J-10	1	417341004T
DIS0268	R416	CARBON R	R16J-10	1	417341004T
DIS0268	R417	CARBON R	R16J-4.7K	1	417344724T
DIS0268	R418	CARBON R	R16J-4.7K	1	417344724T
DIS0268	R419	C-CARBON R	RN72K1J-103JE	1	435031034R1
DIS0268	R420	C-CARBON R	RN72K1J-103JE	1	435031034R1
DIS0268	R421	C-CARBON R	RN72K1J-103JE	1	435031034R1
DIS0268	R422	C-CARBON R	RN72K1J-103JE	1	435031034R1
DIS0268	R423	CARBON R	R16J-1.8K	1	417341824T
DIS0268	R424	CARBON R	R16J-1.8K	1	417341824T
DIS0268	R425	CARBON R	R16J-47K	1	417344734T
DIS0268	R426	CARBON R	R16J-47K	1	417344734T
DIS0268	R427	CARBON R	R16J-1.5K	1	417341524T
DIS0268	R428	CARBON R	R16J-1.5K	1	417341524T
DIS0268	R429	CARBON R	R16J-10K	1	417341034T
DIS0268	R430	CARBON R	R16J-10K	1	417341034T
DIS0268	R431	CARBON R	R16J-220K	1	417342244T
DIS0268	R432	CARBON R	R16J-220K	1	417342244T
DIS0268	R433	METAL O R	RS1WBJ-68	1	443626804T
DIS0268	R434	METAL O R	RS1WBJ-68	1	443626804T
DIS0268	R435	C-CARBON R	RN72K1J-000JE	1	435030004R1
DIS0268	R436	C-CARBON R	RN72K1J-000JE	1	435030004R1
DIS0268	R437	C-CARBON R	RN72K1J-224JE	1	435032244R1
DIS0268	R438	C-CARBON R	RN72K1J-104JE	1	435031044R1
DIS0268	R439	C-CARBON R	RN72K1J-224JE	1	435032244R1

DIS0268	R441	C-CARBON R	RN72K1J-000JE	1	435030004R1	
DIS0268	R442	C-CARBON R	RN72K1J-221JE	1	435032214R1	
DIS0268	R447	METAL R	RNU1/4WCF-100	1	4500336T	N
DIS0268	R448	METAL R	RNU1/4WCF-100	1	4500336T	N
DIS0268	R449	C-CARBON R	RN72K2E-221JE	1	435222214R1	
DIS0268	R450	C-CARBON R	RN72K2E-221JE	1	435222214R1	
DIS0268	R451	C-CARBON R	RN72K2E-221JE	1	435222214R1	
DIS0268	R452	C-CARBON R	RN72K2E-221JE	1	435222214R1	
DIS0268	R453	C-CARBON R	RN72K2E-471JE	1	435224714R1	
DIS0268	R454	C-CARBON R	RN72K2E-471JE	1	435224714R1	
DIS0268	R455	C-CARBON R	RN72K2E-471JE	1	435224714R1	
DIS0268	R456	C-CARBON R	RN72K2E-471JE	1	435224714R1	
DIS0268	R457	METAL O R	RS1WBJ-22	1	443622204T	
DIS0268	R458	METAL O R	RS1WBJ-22	1	443622204T	
DIS0268	R459	CARBON R	R16J-220K	1	417342244T	
DIS0268	R460	CARBON R	R16J-220K	1	417342244T	
DIS0268	R462	C-CARBON R	RN72K1J-000JE	1	435030004R1	
DIS0268	R463	CARBON R	R16J-330K	1	417343344T	
DIS0268	R464	CARBON R	R16J-330K	1	417343344T	
DIS0268	R465	METAL R	RNU1/4WCF-10	1	4500337T	N
DIS0268	R466	METAL R	RNU1/4WCF-10	1	4500337T	N
DIS0268	R481	C-CARBON R	RN72K1J-000JE	1	435030004R1	
DIS0268	R482	C-CARBON R	RN72K1J-000JE	1	435030004R1	
DIS0268	R484	C-CARBON R	RN72K1J-000JE	1	435030004R1	
DIS0268	R641	C-CARBON R	RN72K1J-273JE	1	435032734R1	
DIS0268	R642	C-CARBON R	RN72K1J-273JE	1	435032734R1	
DIS0268	R643	C-CARBON R	RN72K1J-223JE	1	435032234R1	
DIS0268	R644	C-CARBON R	RN72K1J-223JE	1	435032234R1	
DIS0268	R645	C-CARBON R	RN72K1J-392JE	1	435033924R1	
DIS0268	R646	C-CARBON R	RN72K1J-392JE	1	435033924R1	
DIS0268	R647	C-CARBON R	RN72K1J-332JE	1	435033324R1	
DIS0268	R648	C-CARBON R	RN72K1J-332JE	1	435033324R1	
DIS0268	R649	C-CARBON R	RN72K1J-103JE	1	435031034R1	



DIS0268	R650	C-CARBON R	RN72K1J-103JE	1	435031034R1
DIS0268	R651	C-CARBON R	RN72K1J-103JE	1	435031034R1
DIS0268	R652	C-CARBON R	RN72K1J-103JE	1	435031034R1
DIS0268	R653	C-CARBON R	RN72K1J-562JE	1	435035624R1
DIS0268	R654	C-CARBON R	RN72K1J-562JE	1	435035624R1
DIS0268	R665	C-CARBON R	RN72K1J-823JE	1	435038234R1
DIS0268	R666	C-CARBON R	RN72K1J-823JE	1	435038234R1
DIS0268	R667	C-CARBON R	RN72K1J-682JE	1	435036824R1
DIS0268	R668	C-CARBON R	RN72K1J-682JE	1	435036824R1
DIS0268	R669	C-CARBON R	RN72K1J-562JE	1	435035624R1
DIS0268	R670	C-CARBON R	RN72K1J-562JE	1	435035624R1
DIS0268	R701	C-CARBON R	RN72K1J-470JE	1	435034704R1
DIS0268	R703	C-CARBON R	RN72K1J-470JE	1	435034704R1
DIS0268	R704	C-CARBON R	RN72K1J-473JE	1	435034734R1
DIS0268	R705	C-CARBON R	RN72K1J-473JE	1	435034734R1
DIS0268	R706	C-CARBON R	RN72K1J-473JE	1	435034734R1
DIS0268	R707	C-CARBON R	RN72K1J-473JE	1	435034734R1
DIS0268	R710	C-CARBON R	RN72K1J-000JE	1	435030004R1
DIS0268	R711	C-CARBON R	RN72K1J-222JE	1	435032224R1
DIS0268	R712	C-CARBON R	RN72K1J-473JE	1	435034734R1
DIS0268	R713	C-CARBON R	RN72K1J-222JE	1	435032224R1
DIS0268	R714	C-CARBON R	RN72K1J-473JE	1	435034734R1
DIS0268	R715	C-CARBON R	RN72K1J-471JE	1	435034714R1
DIS0268	R716	C-CARBON R	RN72K1J-471JE	1	435034714R1
DIS0268	R719	C-CARBON R	RN72K1J-471JE	1	435034714R1
DIS0268	R720	C-CARBON R	RN72K1J-471JE	1	435034714R1
DIS0268	R721	C-CARBON R	RN72K1J-221JE	1	435032214R1
DIS0268	R722	C-CARBON R	RN72K1J-221JE	1	435032214R1
DIS0268	R723	C-CARBON R	RN72K1J-222JE	1	435032224R1
DIS0268	R724	C-CARBON R	RN72K1J-222JE	1	435032224R1
DIS0268	R725	C-CARBON R	RN72K1J-222JE	1	435032224R1
DIS0268	R726	C-CARBON R	RN72K1J-222JE	1	435032224R1
DIS0268	R727	C-CARBON R	RN72K1J-101JE	1	435031014R1

DIS0268	R728	C-CARBON R	RN72K1J-470JE	1	435034704R1
DIS0268	R729	C-CARBON R	RN72K1J-470JE	1	435034704R1
DIS0268	R730	C-CARBON R	RN72K1J-222JE	1	435032224R1
DIS0268	R731	C-CARBON R	RN72K1J-222JE	1	435032224R1
DIS0268	R734	C-CARBON R	RN72K1J-473JE	1	435034734R1
DIS0268	R735	C-CARBON R	RN72K1J-471JE	1	435034714R1
DIS0268	R736	C-CARBON R	RN72K1J-224JE	1	435032244R1
DIS0268	R737	C-CARBON R	RN72K1J-470JE	1	435034704R1
DIS0268	R738	C-CARBON R	RN72K1J-470JE	1	435034704R1
DIS0268	R741	C-CARBON R	RN72K1J-221JE	1	435032214R1
DIS0268	R742	C-CARBON R	RN72K1J-224JE	1	435032244R1
DIS0268	R743	C-CARBON R	RN72K1J-221JE	1	435032214R1
DIS0268	R744	C-CARBON R	RN72K1J-221JE	1	435032214R1
DIS0268	R745	C-CARBON R	RN72K1J-470JE	1	435034704R1
DIS0268	R746	C-CARBON R	RN72K1J-470JE	1	435034704R1
DIS0268	R747	C-CARBON R	RN72K1J-221JE	1	435032214R1
DIS0268	R748	C-CARBON R	RN72K1J-221JE	1	435032214R1
DIS0268	R749	C-CARBON R	RN72K1J-102JE	1	435031024R1
DIS0268	R750	C-CARBON R	RN72K1J-102JE	1	435031024R1
DIS0268	R751	C-CARBON R	RN72K1J-102JE	1	435031024R1
DIS0268	R752	C-CARBON R	RN72K1J-221JE	1	435032214R1
DIS0268	R753	C-CARBON R	RN72K1J-272JE	1	435032724R1
DIS0268	R754	C-CARBON R	RN72K1J-221JE	1	435032214R1
DIS0268	R755	C-CARBON R	RN72K1J-272JE	1	435032724R1
DIS0268	R756	C-CARBON R	RN72K1J-102JE	1	435031024R1
DIS0268	R757	C-CARBON R	RN72K1J-000JE	1	435030004R1
DIS0268	R758	C-CARBON R	RN72K1J-000JE	1	435030004R1
DIS0268	R759	C-CARBON R	RN72K1J-000JE	1	435030004R1
DIS0268	R760	C-CARBON R	RN72K1J-224JE	1	435032244R1
DIS0268	R761	C-CARBON R	RN72K1J-102JE	1	435031024R1
DIS0268	R762	C-CARBON R	RN72K1J-221JE	1	435032214R1
DIS0268	R764	C-CARBON R	RN72K1J-221JE	1	435032214R1
DIS0268	R765	C-CARBON R	RN72K1J-470JE	1	435034704R1

DIS0268	R766	C-CARBON R	RN72K1J-470JE	1	435034704R1	
DIS0268	R767	C-CARBON R	RN72K1J-473JE	1	435034734R1	
DIS0268	R768	C-CARBON R	RN72K1J-272JE	1	435032724R1	
DIS0268	R769	C-CARBON R	RN72K1J-000JE	1	435030004R1	
DIS0268	R770	C-CARBON R	RN72K1J-391JE	1	435033914R1	
DIS0268	R771	C-CARBON R	RN72K1J-471JE	1	435034714R1	
DIS0268	R772	C-CARBON R	RN72K1J-000JE	1	435030004R1	
DIS0268	R773	C-CARBON R	RN72K1J-000JE	1	435030004R1	
DIS0268	R774	C-CARBON R	RN72K1J-000JE	1	435030004R1	
DIS0268	R775	C-CARBON R	RN72K1J-000JE	1	435030004R1	
DIS0268	R776	C-CARBON R	RN72K1J-000JE	1	435030004R1	
DIS0268	R777	C-CARBON R	RN72K1J-821JE	1	435038214R1	
DIS0268	R778	C-CARBON R	RN72K1J-102JE	1	435031024R1	
DIS0268	R779	C-CARBON R	RN72K1J-182JE	1	435031824R1	
DIS0268	R780	C-CARBON R	RN72K1J-392JE	1	435033924R1	
DIS0268	R785	C-CARBON R	RN72K1J-470JE	1	435034704R1	
DIS0268	R786	C-CARBON R	RN72K1J-470JE	1	435034704R1	
DIS0268	R787	C-CARBON R	RN72K1J-391JE	1	435033914R1	
DIS0268	R789	C-CARBON R	RN72K1J-471JE	1	435034714R1	
DIS0268	R790	C-CARBON R	RN72K1J-821JE	1	435038214R1	
DIS0268	R791	C-CARBON R	RN72K1J-102JE	1	435031024R1	
DIS0268	R792	C-CARBON R	RN72K1J-474JE	1	435034744R1	
DIS0268	R793	VARI R	N11RLC20KB27Z	1	5121553	N
DIS0268	R794	C-CARBON R	RN72K1J-102JE	1	435031024R1	
DIS0268	R795	C-CARBON R	RN72K1J-474JE	1	435034744R1	
DIS0268	R796	VARI R	N11RLC20KB27Z	1	5121553	N
DIS0268	R797	C-CARBON R	RN72K1J-102JE	1	435031024R1	
DIS0268	R798	C-CARBON R	RN72K1J-474JE	1	435034744R1	
DIS0268	R799	VARI R	N11RLC20KB27Z	1	5121553	N
DIS0268	R800	C-CARBON R	RN72K1J-102JE	1	435031024R1	
DIS0268	R801	C-CARBON R	RN72K1J-102JE	1	435031024R1	
DIS0268	R802	C-CARBON R	RN72K1J-474JE	1	435034744R1	
DIS0268	R803	VARI R	N16RGL20KB25M	1	5142522	

DIS0268	R804	C-CARBON R	RN72K1J-104JE	1	435031044R1
DIS0268	R805	C-CARBON R	RN72K1J-104JE	1	435031044R1
DIS0268	R806	C-CARBON R	RN72K1J-332JE	1	435033324R1
DIS0268	R807	C-CARBON R	RN72K1J-332JE	1	435033324R1
DIS0268	R808	C-CARBON R	RN72K1J-332JE	1	435033324R1
DIS0268	R809	C-CARBON R	RN72K1J-332JE	1	435033324R1
DIS0268	R851	C-CARBON R	RN72K1J-000JE	1	435030004R1
DIS0268	R852	C-CARBON R	RN72K1J-000JE	1	435030004R1
DIS0268	R853	C-CARBON R	RN72K1J-000JE	1	435030004R1
DIS0268	R854	C-CARBON R	RN72K1J-000JE	1	435030004R1
DIS0268	R855	C-CARBON R	RN72K1J-000JE	1	435030004R1
DIS0268	R856	C-CARBON R	RN72K1J-000JE	1	435030004R1
DIS0268	R857	C-CARBON R	RN72K1J-000JE	1	435030004R1
DIS0268	R858	C-CARBON R	RN72K1J-000JE	1	435030004R1
DIS0268	R901	METAL R	RNU1/2WCJ-2.2	1	453530224T
DIS0268	R902	METAL R	RNU1/2WCJ-2.2	1	453530224T
DIS0268	R903	C-CARBON R	RN72K1J-103JE	1	435031034R1
DIS0268	R904	C-CARBON R	RN72K1J-103JE	1	435031034R1
DIS0268	R905	C-CARBON R	RN72K1J-222JE	1	435032224R1
DIS0268	R906	C-CARBON R	RN72K1J-222JE	1	435032224R1
DIS0268	R907	METAL O R	RS2WBJ-22	1	442722204F
DIS0268	R908	METAL O R	RS2WBJ-22	1	442722204F
DIS0268	R909	C-CARBON R	RN72K1J-223JE	1	435032234R1
DIS0268	R910	C-CARBON R	RN72K1J-223JE	1	435032234R1
DIS0268	R911	C-CARBON R	RN72K1J-101JE	1	435031014R1
DIS0268	R912	C-CARBON R	RN72K1J-101JE	1	435031014R1
DIS0268	R915	C-CARBON R	RN72K1J-394JE	1	435033944R1
DIS0268	R916	C-CARBON R	RN72K1J-394JE	1	435033944R1
DIS0268	R917	C-CARBON R	RN72K1J-104JE	1	435031044R1
DIS0268	R918	C-CARBON R	RN72K1J-104JE	1	435031044R1
DIS0268	R919	C-CARBON R	RN72K1J-103JE	1	435031034R1
DIS0268	R920	C-CARBON R	RN72K1J-103JE	1	435031034R1
DIS0268	R921	C-CARBON R	RN72K1J-102JE	1	435031024R1

DIS0268	R922	C-CARBON R	RN72K1J-102JE	1	435031024R1	
DIS0268	R923	C-CARBON R	RN72K1J-103JE	1	435031034R1	
DIS0268	R924	C-CARBON R	RN72K1J-103JE	1	435031034R1	
DIS0268	R925	C-CARBON R	RN72K1J-561JE	1	435035614R1	
DIS0268	R926	C-CARBON R	RN72K1J-561JE	1	435035614R1	
DIS0268	R927	C-CARBON R	RN72K1J-224JE	1	435032244R1	
DIS0268	R928	C-CARBON R	RN72K1J-224JE	1	435032244R1	
DIS0268	R929	C-CARBON R	RN72K1J-474JE	1	435034744R1	
DIS0268	R930	C-CARBON R	RN72K1J-474JE	1	435034744R1	
DIS0268	R931	METAL O R	RS1WBJ-33	1	443623304T	
DIS0268	R932	METAL R	RNU1/2WCJ-2.2	1	453530224T	
DIS0268	R933	METAL R	RNU1/2WCJ-2.2	1	453530224T	
DIS0268	R934	METAL O R	RS1/2WBJ-68	1	443526804T	
DIS0268	R935	C-CARBON R	RN72K1J-104JE	1	435031044R1	
DIS0268	R936	C-CARBON R	RN72K1J-104JE	1	435031044R1	
DIS0268	RL901	RELAY	NRL-2P5A-DC12-192	1	25065702	
DIS0268	RL902	RELAY	NRL-2P5A-DC12-192	1	25065702	
DIS0268	S301	PUSH SW	NPS-142-L675	1	25035712	
DIS0268	S701	ROT SW	NRSF-112-20SRM	1	25030424	
DIS0268	S702	ROT SW	NRSF-114-20SRB	1	25030427	N
DIS0268	S703	PUSH SW	NPS-111-S681	1	25035718T	
DIS0268	U701	REMO SENS	GP1UM271XK0FH=12MM	1	241360	
DIS0268	X701	CERA LOCK	CR06000-TG-A0R	1	3010433T	
DIS0268	X701 or	CERA LOCK	CSTLS6M00G-56-A0	( 1)	3010427T	

**PRINTED CIRCUIT BOARD PARTS LIST****A-5VL**

<b>U001</b>	Digital input circuit PC board BAAF-0249-1A	1B237549-1A	All Destinations
<b>U011</b>	Digital Amp. Circuit PC board BADG-0250-1A	1B237550-1A	<MDC><MDF>
<b>U011</b>	Digital Amp. Circuit PC board BADG-0250-1B	1B237550-1B	<MMB>
<b>U011</b>	Digital Amp. Circuit PC board BADG-0250-1D	1B237550-1D	<MMR>

PCB	CIRCUIT	PART NAME	DESCRIPTION	Q'TY	PART NO.	REMARKS
AF0249	C202	UTSP C	CE04W10V-100M(UTSP)	1	397531017T	
AF0249	C203	UTSP C	CE04W10V-100M(UTSP)	1	397531017T	
AF0249	C204	UTSP C	CE04W10V-100M(UTSP)	1	397531017T	
AF0249	C205	C-CERA C	CK725F1E-104Z1	1	332161040R1	
AF0249	C206	C-CERA C	CK725F1E-104Z1	1	332161040R1	
AF0249	C208	UTSP C	CE04W50V-10M(UTSP)	1	397581007T	
AF0249	C209	C-FILM C	ECHU16V-104J	1	373041044R2	
AF0249	C210	C-FILM C	ECHU16V-104J	1	373041044R2	
AF0249	C211	UTSP C	CE04W10V-220M(UTSP)	1	397532217T	
AF0249	C212	UTSP C	CE04W10V-220M(UTSP)	1	397532217T	
AF0249	C213	C-FILM C	ECHU16V-104J	1	373041044R2	
AF0249	C214	C-FILM C	ECHU16V-104J	1	373041044R2	
AF0249	C215	UTSP C	CE04W10V-220M(UTSP)	1	397532217T	
AF0249	C216	UTSP C	CE04W10V-220M(UTSP)	1	397532217T	
AF0249	C217	UTSP C	CE04W50V 47M(UTSP)	1	397584707T	
AF0249	C218	UTSP C	CE04W50V 47M(UTSP)	1	397584707T	
AF0249	C219	UTSP C	CE04W10V-220M(UTSP)	1	397532217T	
AF0249	C220	UTSP C	CE04W10V-220M(UTSP)	1	397532217T	
AF0249	C221	C-CERA C	CK725B1H-102K1	1	332101025R1	
AF0249	C222	C-CERA C	CK725B1H-102K1	1	332101025R1	
AF0249	C223	UTSP C	CE04W16V-470M(UTSP)	1	397544717T	
AF0249	C224	UTSP C	CE04W16V-470M(UTSP)	1	397544717T	
AF0249	C225	MKT C	B32529C0332J289	1	376493324T	
AF0249	C226	MKT C	B32529C0332J289	1	376493324T	
AF0249	C227	MKT C	B32529C0332J289	1	376493324T	
AF0249	C228	MKT C	B32529C0332J289	1	376493324T	
AF0249	C229	C-CERA C	CC725CH1H-220J1	1	342102204R1	
AF0249	C230	C-CERA C	CC725CH1H-220J1	1	342102204R1	
AF0249	C231	C-CERA C	CC725CH1H-220J1	1	342102204R1	
AF0249	C232	C-CERA C	CC725CH1H-220J1	1	342102204R1	
AF0249	C233	MKT C	B32529C0102J289	1	376491024T	
AF0249	C234	MKT C	B32529C0102J289	1	376491024T	

AF0249	C235	MKT C	B32529C0102J289	1	376491024T
AF0249	C236	MKT C	B32529C0102J289	1	376491024T
AF0249	C237	C-CERA C	CC725CH1H-220J1	1	342102204R1
AF0249	C238	C-CERA C	CC725CH1H-220J1	1	342102204R1
AF0249	C239	MKT C	B32529C0682J289	1	376496824T
AF0249	C240	MKT C	B32529C0682J289	1	376496824T
AF0249	C241	UPZ C	2AUPZTF101JE	1	376331014T
AF0249	C242	UPZ C	2AUPZTF101JE	1	376331014T
AF0249	C243	UPZ C	2AUPZTF221JE	1	376332214T
AF0249	C244	UPZ C	2AUPZTF221JE	1	376332214T
AF0249	C245	MKT C	B32529C0472J289	1	376494724T
AF0249	C246	MKT C	B32529C0472J289	1	376494724T
AF0249	C247	UTSJ C	CE04W50V-47M(UTSJ)	1	398084707T
AF0249	C248	UTSJ C	CE04W50V-47M(UTSJ)	1	398084707T
AF0249	C249	UTSP C	CE04W50V-22M(UTSP)	1	397582207T
AF0249	C250	C-CERA C	CK725F1E-104Z1	1	332161040R1
AF0249	C251	C-CERA C	CK725F1A-105Z1	1	332181050R1
AF0249	C252	UTSP C	CE04W25V-47M(UTSP)	1	397554707T
AF0249	C253	C-CERA C	CK725F1E-104Z1	1	332161040R1
AF0249	C254	UTSP C	CE04W25V-47M(UTSP)	1	397554707T
AF0249	C255	C-CERA C	CK725F1E-104Z1	1	332161040R1
AF0249	C256	UTSP C	CE04W25V-47M(UTSP)	1	397554707T
AF0249	C257	C-CERA C	CK725F1E-104Z1	1	332161040R1
AF0249	C258	UTSP C	CE04W25V-47M(UTSP)	1	397554707T
AF0249	C259	C-CERA C	CK725F1E-104Z1	1	332161040R1
AF0249	C260	UTSP C	CE04W10V-100M(UTSP)	1	397531017T
AF0249	C266	C-CERA C	CC725CH1H-471J1	1	342104714R1
AF0249	C269	UTSP C	CE04W50V-10M(UTSP)	1	397581007T
AF0249	C270	UTSP C	CE04W50V-10M(UTSP)	1	397581007T
AF0249	C285	UTSP C	CE04W25V-100M(UTSP)	1	397551017T
AF0249	C501	C-FILM C	ECHU50V-221J	1	373022214R2
AF0249	C502	C-FILM C	ECHU50V-221J	1	373022214R2
AF0249	C503	UTSJ C	CE04W50V-22M(UTSJ)	1	398082207T

AF0249	C504	UTSJ C	CE04W50V-22M(UTSJ)	1	398082207T	
AF0249	C505	C-FILM C	ECHU50V-821J	1	373028214R2	
AF0249	C506	C-FILM C	ECHU50V-821J	1	373028214R2	
AF0249	C507	UTSP C	CE04W50V 47M(UTSP)	1	397584707T	
AF0249	C508	UTSP C	CE04W50V 47M(UTSP)	1	397584707T	
AF0249	C509	UTSJ C	CE04W50V-22M(UTSJ)	1	398082207T	
AF0249	C510	UTSJ C	CE04W50V-22M(UTSJ)	1	398082207T	
AF0249	C511	UPZ C	2AUPZTF102FE	1	3800045S	N
AF0249	C512	UPZ C	2AUPZTF102FE	1	3800045S	N
AF0249	C513	UPZ C	2AUPZTF102FE	1	3800045S	N
AF0249	C514	UPZ C	2AUPZTF102FE	1	3800045S	N
AF0249	C519	UTSP C	CE04W50V-1M(UTSP)	1	397580107T	
AF0249	C520	UTSP C	CE04W50V-1M(UTSP)	1	397580107T	
AF0249	C521	C-CERA C	CK725F1E-104Z1	1	332161040R1	
AF0249	C522	C-CERA C	CK725F1E-104Z1	1	332161040R1	
AF0249	C523	UTSP C	CE04W50V-22M(UTSP)	1	397582207T	
AF0249	C524	UTSP C	CE04W50V-22M(UTSP)	1	397582207T	
AF0249	C525	UTSP C	CE04W25V-220M(UTSP)	1	397552217T	
AF0249	C526	UTSP C	CE04W25V-220M(UTSP)	1	397552217T	
AF0249	C527	C-CERA C	CK725F1E-104Z1	1	332161040R1	
AF0249	C528	C-CERA C	CK725F1E-104Z1	1	332161040R1	
AF0249	C529	C-CERA C	CK725F1E-104Z1	1	332161040R1	
AF0249	C530	C-CERA C	CK725F1E-104Z1	1	332161040R1	
AF0249	C531	UPZ C	2AUPZTF471JE	1	376334714T	
AF0249	C532	UPZ C	2AUPZTF471JE	1	376334714T	
AF0249	C533	UTSP C	CE04W25V-220M(UTSP)	1	397552217T	
AF0249	C534	UTSP C	CE04W25V-220M(UTSP)	1	397552217T	
AF0249	C535	UTSP C	CE04W25V-220M(UTSP)	1	397552217T	
AF0249	C536	UTSP C	CE04W25V-220M(UTSP)	1	397552217T	
AF0249	C537	C-CERA C	CK725F1E-104Z1	1	332161040R1	
AF0249	C538	C-CERA C	CK725F1E-104Z1	1	332161040R1	
AF0249	C539	UTSP C	CE04W25V-220M(UTSP)	1	397552217T	
AF0249	C540	UTSP C	CE04W25V-220M(UTSP)	1	397552217T	



AF0249	C601	UTSP C	CE04W25V-220M(UTSP)	1	397552217T
AF0249	C602	UTSP C	CE04W25V-220M(UTSP)	1	397552217T
AF0249	C603	C-CERA C	CK725R2J-471J3	1	332194714R1
AF0249	C604	C-CERA C	CK725R2J-471J3	1	332194714R1
AF0249	C605	C-CERA C	CK725R2J-471J3	1	332194714R1
AF0249	C606	C-CERA C	CK725R2J-471J3	1	332194714R1
AF0249	C607	C-CERA C	CK725X7R2E-334K5	1	332213345R1
AF0249	C608	C-CERA C	CK725X7R2E-334K5	1	332213345R1
AF0249	C609	C-CERA C	CK725X7R2E-334K5	1	332213345R1
AF0249	C610	C-CERA C	CK725X7R2E-334K5	1	332213345R1
AF0249	C613	C-CERA C	CK725X7R2E-334K5	1	332213345R1
AF0249	C614	C-CERA C	CK725X7R2E-334K5	1	332213345R1
AF0249	C619	UTSP C	CE04W50V 47M(UTSP)	1	397584707T
AF0249	C620	UTSP C	CE04W50V 47M(UTSP)	1	397584707T
AF0249	C621	UTSP C	CE04W50V 47M(UTSP)	1	397584707T
AF0249	C622	UTSP C	CE04W50V 47M(UTSP)	1	397584707T
AF0249	C627	C-CERA C	CK725F1E-104Z1	1	332161040R1
AF0249	C628	C-CERA C	CK725F1E-104Z1	1	332161040R1
AF0249	C631	C-CERA C	CK725F1E-104Z1	1	332161040R1
AF0249	C632	C-CERA C	CK725F1E-104Z1	1	332161040R1
AF0249	C643	C-CERA C	CK725F1E-104Z1	1	332161040R1
AF0249	C644	C-CERA C	CK725F1E-104Z1	1	332161040R1
AF0249	C645	C-CERA C	CK725F1E-104Z1	1	332161040R1
AF0249	C646	C-CERA C	CK725F1E-104Z1	1	332161040R1
AF0249	C647	C-CERA C	CC725CH1H-102J1	1	342101024R1
AF0249	C648	C-CERA C	CC725CH1H-102J1	1	342101024R1
AF0249	D501	ZENER D	UDZS5.6B	1	224550560R2
AF0249	D502	ZENER D	UDZS5.6B	1	224550560R2
AF0249	D503	C-DIODE	1SS352	1	223234R2
AF0249	D503 or	C-DIODE	1SS355	(1)	223269R2
AF0249	D504	C-DIODE	1SS352	1	223234R2
AF0249	D504 or	C-DIODE	1SS355	(1)	223269R2
AF0249	D505	C-DIODE	1SS352	1	223234R2

AF0249	D505 or	C-DIODE	1SS355	( 1)	223269R2	
AF0249	D506	C-DIODE	1SS352	1	223234R2	
AF0249	D506 or	C-DIODE	1SS355	( 1)	223269R2	
AF0249	D601	DIODE	M1FL20U	1	223276R2	
AF0249	D602	DIODE	M1FL20U	1	223276R2	
AF0249	D603	C-DIODE	1SS352	1	223234R2	
AF0249	D603 or	C-DIODE	1SS355	( 1)	223269R2	
AF0249	D604	C-DIODE	1SS352	1	223234R2	
AF0249	D604 or	C-DIODE	1SS355	( 1)	223269R2	
AF0249	D605	ZENER D	UDZS18B	1	224551800R2	
AF0249	D606	ZENER D	UDZS18B	1	224551800R2	
AF0249	D607	ZENER D	UDZS18B	1	224551800R2	
AF0249	D608	ZENER D	UDZS18B	1	224551800R2	
AF0249	D609	DIODE	M1FL20U	1	223276R2	
AF0249	D610	DIODE	M1FL20U	1	223276R2	
AF0249	D611	DIODE	M1FL20U	1	223276R2	
AF0249	D612	DIODE	M1FL20U	1	223276R2	
AF0249	L201	CHOKE COIL	BLM21PG221SN1	1	230949R2	
AF0249	L202	CHOKE COIL	BLM21PG221SN1	1	230949R2	
AF0249	L204	COIL	T6074NL	1	232204	
AF0249	L205	CHOKE COIL	BLM21PG221SN1	1	230949R2	
AF0249	L206	CHOKE COIL	BLM21PG221SN1	1	230949R2	
AF0249	L207	EMIFIL	BK1608HS102-T	1	230955R2	
AF0249	P201	PLUG	MB9P-90	1	25056627	
AF0249	P202	SOCKET	NSCT-9P2189	1	25052292	
AF0249	P203	PIN JACK	NPJ-1PDOR369	1	25045548	
AF0249	P601A	PLUG	026603070	1	25056644	N
AF0249	P602A	PLUG	026603070	1	25056644	N
AF0249	P603A	SOCKET	NSCT-9P2189	1	25052292	
AF0249	P605A	SOCKET AS	NSAS-14P1802	1	2009991165UL	N
AF0249	Q201	IC	MPC2933BHB-AZ	1	22278033DCNE	
AF0249	Q202	IC	78M05(NJM78M05FA)	1	222780055JRC	
AF0249	Q203	IC	PCM1796DBR	1	22242403R2	

AF0249	Q204	IC	PCM1796DBR	1	22242403R2
AF0249	Q205	IC	NE5534ADR	1	22242495R2
AF0249	Q206	IC	NE5534ADR	1	22242495R2
AF0249	Q207	IC	NE5534ADR	1	22242495R2
AF0249	Q208	IC	NE5534ADR	1	22242495R2
AF0249	Q209	IC	NE5534ADR	1	22242495R2
AF0249	Q210	IC	NE5534ADR	1	22242495R2
AF0249	Q211	IC	NE5532APSR	1	22242283R2
AF0249	Q212	IC	NE5532APSR	1	22242283R2
AF0249	Q213	IC	NE5532APSR	1	22242283R2
AF0249	Q214	IC	NE5532APSR	1	22242283R2
AF0249	Q215	PHT CP	JSR1165-001recieving	1	24120143
AF0249	Q216	IC	MPC2933BHB-AZ	1	22278033DCNE
AF0249	Q218	IC	AK4112BVF	1	22241789R2
AF0249	Q219	IC	78M18HF(NJM78M18FA)	1	222780185JRC
AF0249	Q220	IC	79M18HF(NJM79M18FA)	1	222790185JRC
AF0249	Q501	TR	HN3C51F-BL(TE85L_F)	1	2217185R2
AF0249	Q502	TR	HN3C51F-BL(TE85L_F)	1	2217185R2
AF0249	Q503	TR	2SC2712-GR	1	2213145R2
AF0249	Q504	TR	2SC2712-GR	1	2213145R2
AF0249	Q505	TR	HN3A51F(TE85L_F)	1	2217190R2
AF0249	Q506	TR	HN3A51F(TE85L_F)	1	2217190R2
AF0249	Q507	TR	HN3A51F(TE85L_F)	1	2217190R2
AF0249	Q508	TR	HN3A51F(TE85L_F)	1	2217190R2
AF0249	Q509	TR	2SC2712-GR	1	2213145R2
AF0249	Q510	TR	2SC2712-GR	1	2213145R2
AF0249	Q511	IC	TC7W14FU(TE12L_F)	1	22241161R2
AF0249	Q512	IC	TC7W14FU(TE12L_F)	1	22241161R2
AF0249	Q513	TR	2SC2712-GR	1	2213145R2
AF0249	Q514	TR	2SC2712-GR	1	2213145R2
AF0249	Q515	TR	2SA1162-GR	1	2214375R2
AF0249	Q516	TR	2SA1162-GR	1	2214375R2
AF0249	Q519	IC	78L05(NJM78L05UA)	1	222780053R2JR

AF0249	Q520	IC	78L05(NJM78L05UA)	1	222780053R2JR	
AF0249	Q601	IC	IRS20954S	1	22242351R2	
AF0249	Q602	IC	IRS20954S	1	22242351R2	
AF0249	Q603	TR	IRFB4020	1	2204080	
AF0249	Q604	TR	IRFB4020	1	2204080	
AF0249	Q605	TR	IRFB4020	1	2204080	
AF0249	Q606	TR	IRFB4020	1	2204080	
AF0249	Q607	TR	2SK208-GR	1	2217434R2	N
AF0249	Q608	TR	2SK208-GR	1	2217434R2	N
AF0249	Q611	TR	2SA965-Y(TPE6_F)	1	2211644T	
AF0249	Q611 or	TR	2SA965-O(TPE6_F)	(1)	2211643T	
AF0249	Q612	TR	2SA965-Y(TPE6_F)	1	2211644T	
AF0249	Q612 or	TR	2SA965-O(TPE6_F)	(1)	2211643T	
AF0249	Q613	TR	2SC2235-Y(TPE6_F)	1	2211654T	
AF0249	Q613 or	TR	2SC2235-O(TPE6_F)	(1)	2211653T	
AF0249	Q614	TR	2SC2235-Y(TPE6_F)	1	2211654T	
AF0249	Q614 or	TR	2SC2235-O(TPE6_F)	(1)	2211653T	
AF0249	Q615	TR	2SC2712-GR	1	2213145R2	
AF0249	Q616	TR	2SC2712-GR	1	2213145R2	
AF0249	Q617	TR	2SA1162-GR	1	2214375R2	
AF0249	Q618	TR	2SA1162-GR	1	2214375R2	
AF0249	Q621	TR	2SA1162-GR	1	2214375R2	
AF0249	Q622	TR	2SA1162-GR	1	2214375R2	
AF0249	Q627	TR	2SA1162-GR	1	2214375R2	
AF0249	Q628	TR	2SA1162-GR	1	2214375R2	
AF0249	Q629	TR	HN1A01F-GR	1	2215915R2	
AF0249	Q630	TR	HN1A01F-GR	1	2215915R2	
AF0249	Q631	IC	LM61CIZ	1	22242212	
AF0249	Q632	IC	LM61CIZ	1	22242212	
AF0249	R201	C-CARBON R	RN72K1J-103JE	1	435031034R1	
AF0249	R202	C-CARBON R	RN72K1J-103JE	1	435031034R1	
AF0249	R203	C-CARBON R	RN72K1J-331JE	1	435033314R1	
AF0249	R204	C-CARBON R	RN72K1J-331JE	1	435033314R1	

AF0249	R205	C-CARBON R	RN72K1J-331JE	1	435033314R1
AF0249	R206	C-CARBON R	RN72K1J-331JE	1	435033314R1
AF0249	R207	C-CARBON R	RN72K1J-331JE	1	435033314R1
AF0249	R208	C-CARBON R	RN72K1J-331JE	1	435033314R1
AF0249	R209	C-CARBON R	RN72K1J-101JE	1	435031014R1
AF0249	R210	C-CARBON R	RN72K1J-101JE	1	435031014R1
AF0249	R211	C-CARBON R	RN72K1J-331JE	1	435033314R1
AF0249	R212	C-CARBON R	RN72K1J-101JE	1	435031014R1
AF0249	R213	C-CARBON R	RN72K1J-331JE	1	435033314R1
AF0249	R214	C-CARBON R	RN72K1J-331JE	1	435033314R1
AF0249	R215	C-CARBON R	RN72K1J-331JE	1	435033314R1
AF0249	R216	C-CARBON R	RN72K1J-331JE	1	435033314R1
AF0249	R219	C-CARBON R	RN72K1J-331JE	1	435033314R1
AF0249	R220	C-CARBON R	RN72K1J-331JE	1	435033314R1
AF0249	R221	C-CARBON R	RN72K1J-103JE	1	435031034R1
AF0249	R222	C-CARBON R	RN72K1J-103JE	1	435031034R1
AF0249	R223	C-CARBON R	RN72K2E-047JE	1	435220474R1
AF0249	R224	C-CARBON R	RN72K2E-047JE	1	435220474R1
AF0249	R225	C-CARBON R	RN72K2E-047JE	1	435220474R1
AF0249	R226	C-CARBON R	RN72K2E-047JE	1	435220474R1
AF0249	R227	C-CARBON R	RN72K1J-047JE	1	435030474R1
AF0249	R228	C-CARBON R	RN72K1J-047JE	1	435030474R1
AF0249	R229	METAL O R	RS1WBJ-33	1	443623304T
AF0249	R230	METAL O R	RS1WBJ-33	1	443623304T
AF0249	R231	CARBON R	R16J-680	1	417346814T
AF0249	R232	CARBON R	R16J-680	1	417346814T
AF0249	R233	CARBON R	R16J-680	1	417346814T
AF0249	R234	CARBON R	R16J-680	1	417346814T
AF0249	R235	CARBON R	R16J-680	1	417346814T
AF0249	R236	CARBON R	R16J-680	1	417346814T
AF0249	R237	CARBON R	R16J-680	1	417346814T
AF0249	R238	CARBON R	R16J-680	1	417346814T
AF0249	R239	CARBON R	R16J-330	1	417343314T

AF0249	R240	CARBON R	R16J-330	1	417343314T
AF0249	R241	CARBON R	R16J-330	1	417343314T
AF0249	R242	CARBON R	R16J-330	1	417343314T
AF0249	R243	C-CARBON R	RN72K1J-472JE	1	435034724R1
AF0249	R244	C-CARBON R	RN72K1J-472JE	1	435034724R1
AF0249	R245	C-CARBON R	RN72K1J-681JE	1	435036814R1
AF0249	R246	C-CARBON R	RN72K1J-681JE	1	435036814R1
AF0249	R247	C-CARBON R	RN72K1J-472JE	1	435034724R1
AF0249	R248	C-CARBON R	RN72K1J-472JE	1	435034724R1
AF0249	R249	C-CARBON R	RN72K1J-472JE	1	435034724R1
AF0249	R250	C-CARBON R	RN72K1J-472JE	1	435034724R1
AF0249	R251	C-CARBON R	RN72K1J-182JE	1	435031824R1
AF0249	R252	C-CARBON R	RN72K1J-182JE	1	435031824R1
AF0249	R253	C-CARBON R	RN72K1J-152JE	1	435031524R1
AF0249	R254	C-CARBON R	RN72K1J-152JE	1	435031524R1
AF0249	R255	C-CARBON R	RN72K1J-272JE	1	435032724R1
AF0249	R256	C-CARBON R	RN72K1J-272JE	1	435032724R1
AF0249	R257	C-CARBON R	RN72K1J-102JE	1	435031024R1
AF0249	R258	C-CARBON R	RN72K1J-102JE	1	435031024R1
AF0249	R259	C-CARBON R	RN72K1J-561JE	1	435035614R1
AF0249	R260	C-CARBON R	RN72K1J-561JE	1	435035614R1
AF0249	R261	C-CARBON R	RN72K1J-224JE	1	435032244R1
AF0249	R262	C-CARBON R	RN72K1J-224JE	1	435032244R1
AF0249	R263	C-CARBON R	RN72K1J-000JE	1	435030004R1
AF0249	R264	C-CARBON R	RN72K1J-151JE	1	435031514R1
AF0249	R265	C-CARBON R	RN72K1J-151JE	1	435031514R1
AF0249	R267	C-CARBON R	RN72K1J-101JE	1	435031014R1
AF0249	R268	C-CARBON R	RN72K1J-220JE	1	435032204R1
AF0249	R269	C-CARBON R	RN72K1J-331JE	1	435033314R1
AF0249	R270	C-CARBON R	RN72K1J-331JE	1	435033314R1
AF0249	R271	C-CARBON R	RN72K1J-331JE	1	435033314R1
AF0249	R272	C-CARBON R	RN72K1J-101JE	1	435031014R1
AF0249	R273	C-CARBON R	RN72K1J-183JE	1	435031834R1

AF0249	R274	C-CARBON R	RN72K1J-101JE	1	435031014R1	
AF0249	R275	C-CARBON R	RN72K1J-101JE	1	435031014R1	
AF0249	R276	C-CARBON R	RN72K1J-000JE	1	435030004R1	
AF0249	R277	C-CARBON R	RN72K1J-101JE	1	435031014R1	
AF0249	R278	C-CARBON R	RN72K1J-101JE	1	435031014R1	
AF0249	R279	C-CARBON R	RN72K1J-101JE	1	435031014R1	
AF0249	R280	C-CARBON R	RN72K1J-101JE	1	435031014R1	
AF0249	R281	C-CARBON R	RN72K1J-101JE	1	435031014R1	
AF0249	R282	METAL O R	RS1WBJ-470	1	443624714T	
AF0249	R284	METAL O R	RS1WBJ-220	1	443622214T	
AF0249	R285	METAL O R	RS1/2WBJ-100	1	443521014T	
AF0249	R286	C-CARBON R	RN72K1J-000JE	1	435030004R1	
AF0249	R287	C-CARBON R	RN72K2E-100JE	1	435221004R1	
AF0249	R288	C-CARBON R	RN72K1J-000JE	1	435030004R1	
AF0249	R501	CARBON R	R16J-2.7K	1	417342724T	
AF0249	R502	CARBON R	R16J-2.7K	1	417342724T	
AF0249	R503	CARBON R	R16J-220K	1	417342244T	
AF0249	R504	CARBON R	R16J-220K	1	417342244T	
AF0249	R505	METAL R	RNU1/4WCF-47K	1	4500335T	N
AF0249	R506	METAL R	RNU1/4WCF-47K	1	4500335T	N
AF0249	R507	METAL R	RNU1/4WCF-3.3K	1	4500323T	
AF0249	R508	METAL R	RNU1/4WCF-3.3K	1	4500323T	
AF0249	R509	C-CARBON R	RN72K1J-391JE	1	435033914R1	
AF0249	R510	C-CARBON R	RN72K1J-391JE	1	435033914R1	
AF0249	R511	C-CARBON R	RN72K1J-391JE	1	435033914R1	
AF0249	R512	C-CARBON R	RN72K1J-391JE	1	435033914R1	
AF0249	R513	TRIM R	N06HR100BB	1	5211411T	
AF0249	R514	TRIM R	N06HR100BB	1	5211411T	
AF0249	R515	C-CARBON R	RN72K1J-470JE	1	435034704R1	
AF0249	R516	C-CARBON R	RN72K1J-470JE	1	435034704R1	
AF0249	R517	C-CARBON R	RN72K1J-470JE	1	435034704R1	
AF0249	R518	C-CARBON R	RN72K1J-470JE	1	435034704R1	
AF0249	R519	METAL R	RNU1/4WCF-47K	1	4500335T	N

AF0249	R520	METAL R	RNU1/4WCF-47K	1	4500335T	N
AF0249	R521	METAL R	RNU1/4WCF-3.3K	1	4500323T	
AF0249	R522	METAL R	RNU1/4WCF-3.3K	1	4500323T	
AF0249	R523	C-CARBON R	RN72K1J-122JE	1	435031224R1	
AF0249	R524	C-CARBON R	RN72K1J-122JE	1	435031224R1	
AF0249	R525	C-CARBON R	RN72K1J-392JE	1	435033924R1	
AF0249	R526	C-CARBON R	RN72K1J-392JE	1	435033924R1	
AF0249	R527	C-CARBON R	RN72K1J-392JE	1	435033924R1	
AF0249	R528	C-CARBON R	RN72K1J-392JE	1	435033924R1	
AF0249	R529	C-CARBON R	RN72K1J-332JE	1	435033324R1	
AF0249	R530	C-CARBON R	RN72K1J-332JE	1	435033324R1	
AF0249	R531	C-CARBON R	RN72K1J-104JE	1	435031044R1	
AF0249	R532	C-CARBON R	RN72K1J-104JE	1	435031044R1	
AF0249	R533	C-CARBON R	RN72K1J-222JE	1	435032224R1	
AF0249	R534	C-CARBON R	RN72K1J-222JE	1	435032224R1	
AF0249	R535	C-CARBON R	RN72K1J-561JE	1	435035614R1	
AF0249	R536	C-CARBON R	RN72K1J-821JE	1	435038214R1	
AF0249	R537	C-CARBON R	RN72K1J-181FE	1	435031812R1	
AF0249	R538	C-CARBON R	RN72K1J-181FE	1	435031812R1	
AF0249	R539	C-CARBON R	RN72K1J-331JE	1	435033314R1	
AF0249	R540	C-CARBON R	RN72K1J-331JE	1	435033314R1	
AF0249	R541	C-CARBON R	RN72K1J-331JE	1	435033314R1	
AF0249	R542	C-CARBON R	RN72K1J-331JE	1	435033314R1	
AF0249	R551	C-CARBON R	RN72K1J-123JE	1	435031234R1	
AF0249	R552	C-CARBON R	RN72K1J-123JE	1	435031234R1	
AF0249	R553	C-CARBON R	RN72K1J-222JE	1	435032224R1	
AF0249	R554	C-CARBON R	RN72K1J-222JE	1	435032224R1	
AF0249	R555	C-CARBON R	RN72K1J-153JE	1	435031534R1	
AF0249	R556	C-CARBON R	RN72K1J-153JE	1	435031534R1	
AF0249	R557	C-CARBON R	RN72K1J-104JE	1	435031044R1	
AF0249	R558	C-CARBON R	RN72K1J-104JE	1	435031044R1	
AF0249	R559	C-CARBON R	RN72K1J-332JE	1	435033324R1	
AF0249	R560	C-CARBON R	RN72K1J-332JE	1	435033324R1	



AF0249	R561	C-CARBON R	RN72K1J-822JE	1	435038224R1
AF0249	R562	C-CARBON R	RN72K1J-822JE	1	435038224R1
AF0249	R571	C-CARBON R	RN72K1J-224JE	1	435032244R1
AF0249	R572	C-CARBON R	RN72K1J-224JE	1	435032244R1
AF0249	R575	C-CARBON R	RN72K1J-472JE	1	435034724R1
AF0249	R576	C-CARBON R	RN72K1J-472JE	1	435034724R1
AF0249	R577	C-CARBON R	RN72K1J-562JE	1	435035624R1
AF0249	R578	C-CARBON R	RN72K1J-562JE	1	435035624R1
AF0249	R579	C-CARBON R	RN72K2E-103JE	1	435221034R1
AF0249	R580	C-CARBON R	RN72K2E-103JE	1	435221034R1
AF0249	R581	CARBON R	R16J-6.8K	1	417346824T
AF0249	R582	CARBON R	R16J-6.8K	1	417346824T
AF0249	R583	CARBON R	R16J-39K	1	417343934T
AF0249	R584	CARBON R	R16J-39K	1	417343934T
AF0249	R585	C-CARBON R	RN72K1J-474JE	1	435034744R1
AF0249	R586	C-CARBON R	RN72K1J-474JE	1	435034744R1
AF0249	R587	C-CARBON R	RN72K1J-124JE	1	435031244R1
AF0249	R588	C-CARBON R	RN72K1J-124JE	1	435031244R1
AF0249	R589	C-CARBON R	RN72K2E-330JE	1	435223304R1
AF0249	R590	C-CARBON R	RN72K2E-330JE	1	435223304R1
AF0249	R591	C-CARBON R	RN72K2E-222JE	1	435222224R1
AF0249	R592	C-CARBON R	RN72K2E-222JE	1	435222224R1
AF0249	R595	C-CARBON R	RN72K1J-392JE	1	435033924R1
AF0249	R596	C-CARBON R	RN72K1J-392JE	1	435033924R1
AF0249	R599	C-CARBON R	RN72K2E-222JE	1	435222224R1
AF0249	R600	C-CARBON R	RN72K2E-222JE	1	435222224R1
AF0249	R601	C-CARBON R	RN72K2E-047JE	1	435220474R1
AF0249	R602	C-CARBON R	RN72K2E-047JE	1	435220474R1
AF0249	R603	C-CARBON R	RN72K1J-103JE	1	435031034R1
AF0249	R604	C-CARBON R	RN72K1J-103JE	1	435031034R1
AF0249	R605	C-CARBON R	RN72K1J-682JE	1	435036824R1
AF0249	R606	C-CARBON R	RN72K1J-682JE	1	435036824R1
AF0249	R607	C-CARBON R	RN72K1J-332JE	1	435033324R1

AF0249	R608	C-CARBON R	RN72K1J-332JE	1	435033324R1
AF0249	R609	C-CARBON R	RN72K1J-330JE	1	435033304R1
AF0249	R610	C-CARBON R	RN72K1J-330JE	1	435033304R1
AF0249	R611	C-CARBON R	RN72K1J-394JE	1	435033944R1
AF0249	R612	C-CARBON R	RN72K1J-394JE	1	435033944R1
AF0249	R613	C-CARBON R	RN72K1J-683JE	1	435036834R1
AF0249	R614	C-CARBON R	RN72K1J-683JE	1	435036834R1
AF0249	R615	C-CARBON R	RN72K2E-068JE	1	435220684R1
AF0249	R616	C-CARBON R	RN72K2E-068JE	1	435220684R1
AF0249	R617	C-CARBON R	RN72K2E-068JE	1	435220684R1
AF0249	R618	C-CARBON R	RN72K2E-068JE	1	435220684R1
AF0249	R619	C-CARBON R	RN72K2E-068JE	1	435220684R1
AF0249	R620	C-CARBON R	RN72K2E-068JE	1	435220684R1
AF0249	R621	C-CARBON R	RN72K2E-068JE	1	435220684R1
AF0249	R622	C-CARBON R	RN72K2E-068JE	1	435220684R1
AF0249	R623	C-CARBON R	RN72K1J-104FE	1	435031042R1
AF0249	R624	C-CARBON R	RN72K1J-104FE	1	435031042R1
AF0249	R625	C-CARBON R	RN72K1J-104FE	1	435031042R1
AF0249	R626	C-CARBON R	RN72K1J-104FE	1	435031042R1
AF0249	R629	C-CARBON R	RN72K1J-473JE	1	435034734R1
AF0249	R630	C-CARBON R	RN72K1J-473JE	1	435034734R1
AF0249	R631	C-CARBON R	RN72K2E-560JE	1	435225604R1
AF0249	R632	C-CARBON R	RN72K2E-560JE	1	435225604R1
AF0249	R633	C-CARBON R	RN72K2E-560JE	1	435225604R1
AF0249	R634	C-CARBON R	RN72K2E-560JE	1	435225604R1
AF0249	R635	C-CARBON R	RN72K1J-561JE	1	435035614R1
AF0249	R636	C-CARBON R	RN72K1J-561JE	1	435035614R1
AF0249	R637	C-CARBON R	RN72K1J-561JE	1	435035614R1
AF0249	R638	C-CARBON R	RN72K1J-561JE	1	435035614R1
AF0249	R639	C-CARBON R	RN72K1J-473JE	1	435034734R1
AF0249	R640	C-CARBON R	RN72K1J-473JE	1	435034734R1
AF0249	R641	C-CARBON R	RN72K1J-123JE	1	435031234R1
AF0249	R642	C-CARBON R	RN72K1J-123JE	1	435031234R1

AF0249	R643	C-CARBON R	RN72K1J-123JE	1	435031234R1
AF0249	R644	C-CARBON R	RN72K1J-123JE	1	435031234R1
AF0249	R655	C-CARBON R	RN72K1J-471JE	1	435034714R1
AF0249	R656	C-CARBON R	RN72K1J-471JE	1	435034714R1
AF0249	R659	C-CARBON R	RN72K1J-000JE	1	435030004R1
AF0249	R660	C-CARBON R	RN72K1J-000JE	1	435030004R1
AF0249	R661	C-CARBON R	RN72K1J-223JE	1	435032234R1
AF0249	R662	C-CARBON R	RN72K1J-223JE	1	435032234R1
AF0249	R663	C-CARBON R	RN72K1J-103JE	1	435031034R1
AF0249	R664	C-CARBON R	RN72K1J-103JE	1	435031034R1
AF0249	R673	C-CARBON R	RN72K1J-123JE	1	435031234R1
AF0249	R674	C-CARBON R	RN72K1J-123JE	1	435031234R1
AF0249	R675	C-CARBON R	RN72K1J-224JE	1	435032244R1
AF0249	R676	C-CARBON R	RN72K1J-224JE	1	435032244R1
AF0249	R677	C-CARBON R	RN72K1J-103JE	1	435031034R1
AF0249	R678	C-CARBON R	RN72K1J-103JE	1	435031034R1
AF0249	R679	C-CARBON R	RN72K1J-682JE	1	435036824R1
AF0249	R680	C-CARBON R	RN72K1J-682JE	1	435036824R1
AF0249	R681	C-CARBON R	RN72K2E-223JE	1	435222234R1
AF0249	R682	C-CARBON R	RN72K2E-223JE	1	435222234R1
AF0249	R683	C-CARBON R	RN72K2E-223JE	1	435222234R1
AF0249	R684	C-CARBON R	RN72K2E-223JE	1	435222234R1
AF0249	R685	C-CARBON R	RN72K1J-000JE	1	435030004R1
AF0249	R686	C-CARBON R	RN72K1J-000JE	1	435030004R1
AF0249	R687	C-CARBON R	RN72K1J-000JE	1	435030004R1
AF0249	R688	C-CARBON R	RN72K1J-000JE	1	435030004R1
AF0249	R689	C-CARBON R	RN72K1J-334JE	1	435033344R1
AF0249	R690	C-CARBON R	RN72K1J-334JE	1	435033344R1
AF0249	R691	C-CARBON R	RN72K1J-472JE	1	435034724R1
AF0249	R692	C-CARBON R	RN72K1J-472JE	1	435034724R1
AF0249	R693	C-CARBON R	RN72K1J-472JE	1	435034724R1
AF0249	R694	C-CARBON R	RN72K1J-472JE	1	435034724R1
AF0249	R695	C-CARBON R	RN72K1J-682JE	1	435036824R1

AF0249	R696	C-CARBON R	RN72K1J-682JE	1	435036824R1
AF0249	R699	C-CARBON R	RN72K1J-822JE	1	435038224R1
AF0249	R700	C-CARBON R	RN72K1J-822JE	1	435038224R1

**ONKYO CORPORATION**

Service Dept. Technical Support : 2-1, Nisshin-cho, Neyagawa-shi, OSAKA 572-8540, JAPAN  
Tel: 072-831-8023 Fax: 072-831-8163

**ONKYO U.S.A. CORPORATION**

18 Park Way, Upper Saddle River, N.J. 07458, U.S.A.  
Tel: 201-785-2600 Fax: 201-785-2650 <http://www.us.onkyo.com/>

**ONKYO EUROPE ELECTRONICS GmbH (DUISBURG OFFICE)**

Hafennr.7602, Logport Office-Center, Bliersheimerstr.80B, 47229 Duisburg, Germany  
Tel: +49-2065-90198-00 Fax: +49-2065-90198-40 <http://www.eu.onkyo.com/>

**ONKYO EUROPE UK Office**

Suite 1, Gregories Court, Gregories Road, Beaconsfield, Buckinghamshire, HP9 1HQ  
UNITED KINGDOM Tel: +44-(0)1494-681515 Fax: +44(0)-1494-680452

**ONKYO CHINA LIMITED**

Units 2102-2107, Metroplaza Tower I, 223 Hing Fong Road, Kwai Chung,  
N.T., HONG KONG Tel: 852-2429-3118 Fax: 852-2428-9039  
<http://www.ch.onkyo.com/>

