

SPECIFICATIONS

Music Power Output: 2 x 140 watts at 4 ohms, 1kHz (DIN)
 2 x 100 watts at 8 ohms, 1kHz (DIN)

Continuous Power Output: 2 x 100 watts at 4 ohms, 1kHz (DIN)
 2 x 75 watts at 8 ohms, 1kHz (DIN)
 70 watts per channel, min. RMS, at 8 ohms, both channels driven, from 20 Hz to 20 kHz, with no more than 0.018% THD.

Total Harmonic Distortion: 0.018% at rated power
 IM Distortion: 0.005% at rated power
 Damping Factor: 50 at 8 ohms
 Frequency Response: 2 - 50,000 Hz ± 1 dB
 RIAA Deviation (MM): 20 - 20,000 Hz ± 0.5 dB
 Sensitivity and Impedance: Phono(MM): 2.5 mV/50 kohms
 Phono(MC): 160 μV/100/220 ohms
 Tuner: 150 mV/50 kohms
 Tape Play: 150 mV/50 kohms
 Tape Rec: 150 mV/1.5 kohms (phono)

Phono Overload: 200 mV RMS at 1 kHz, 0.018% THD

Bass Control: ±8 dB at 70 Hz

Treble Control: ±8 dB at 20,000 Hz

Signal to Noise Ratio: Phono(MM): 80 dB (IHF A-202, 5 mV input, 1 watt output)

Phono(MC): 70 dB (IHF A-202, 0.5 mV input, 1 watt output)

Tuner & Tape: 84 dB (IHF A-202, 0.5 V input, 1 watt output)

Muting: -20 dB

Loudness Control: +6 dB at 70 Hz, +5 dB at 20 k Hz

Subsonic Filter: 15 Hz (6 dB/Octave)

High Cut (TREBLE MIN): 6 kHz (6 dB/Octave)

General

Power Supply: AC220V, 50Hz

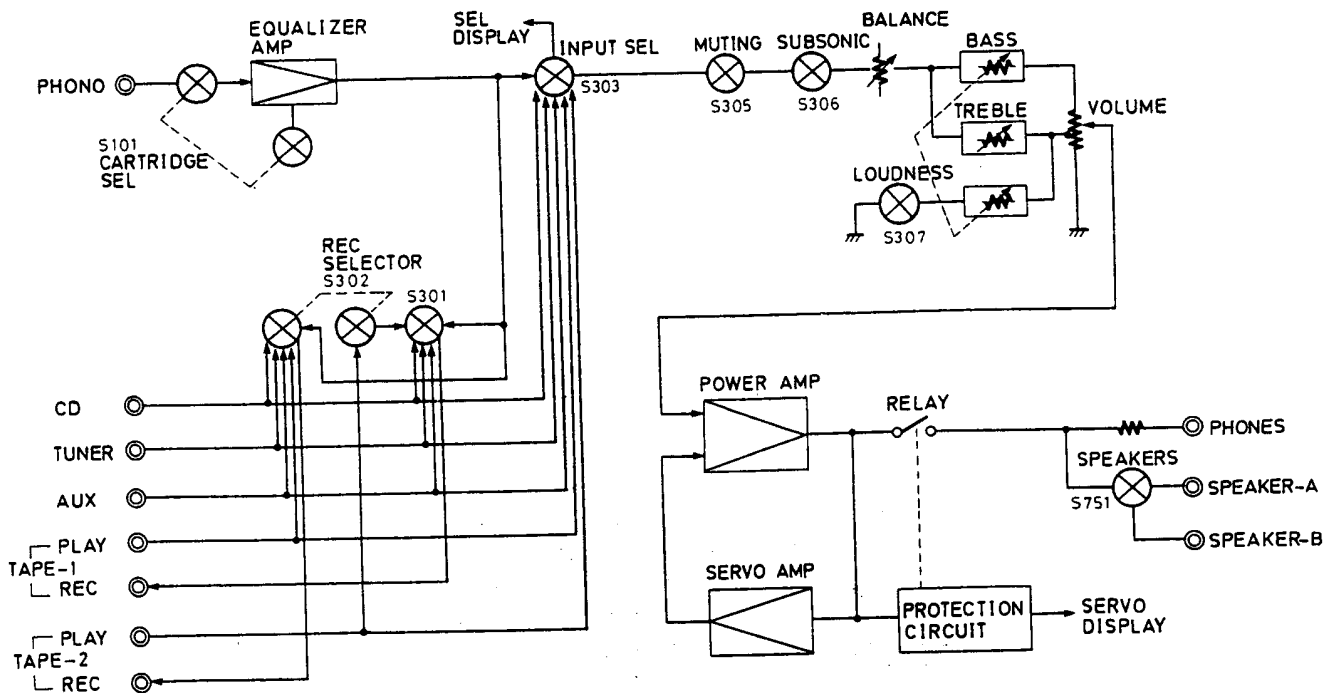
Semiconductors: IC: 4 TR: 38 Diode: 43

Dimensions: 435(W) x 144(H) x 391(D)mm
 17-1/8" x 5-5/8" x 15-3/8"

Weight: 10.5 kg. (23.2 lbs.)

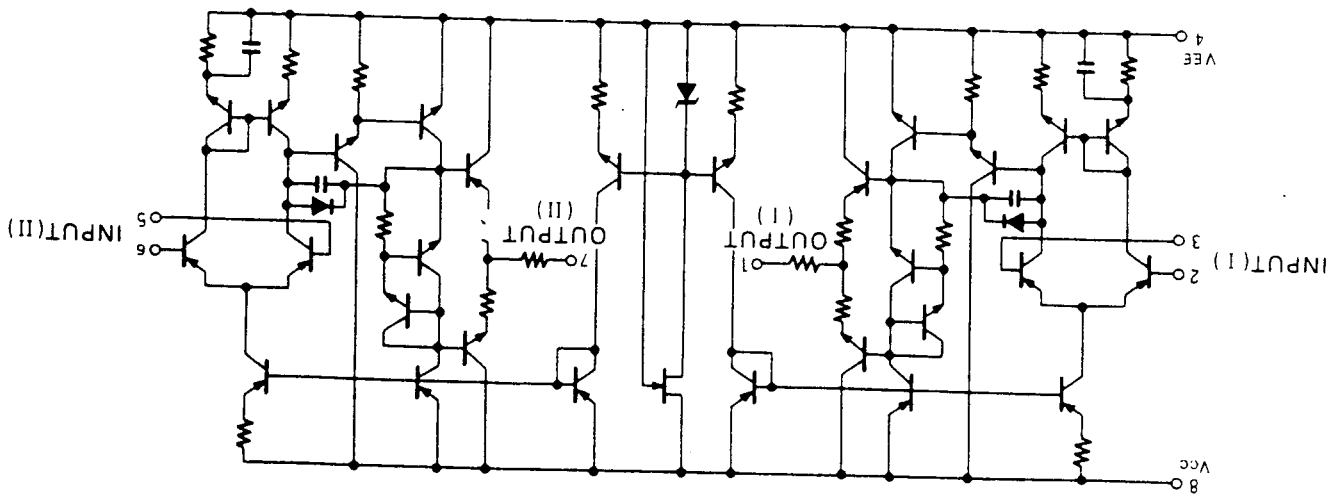
Specifications and features are subject to change without notice.

BLOCK DIAGRAM

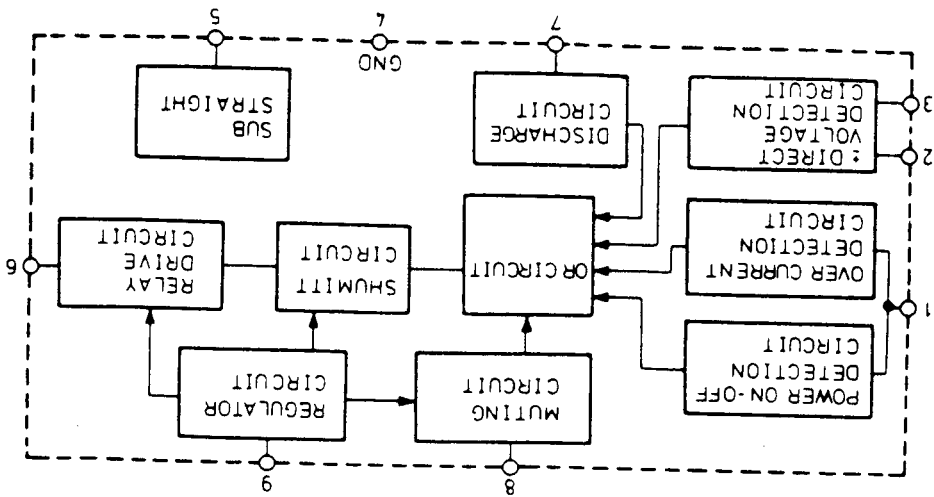


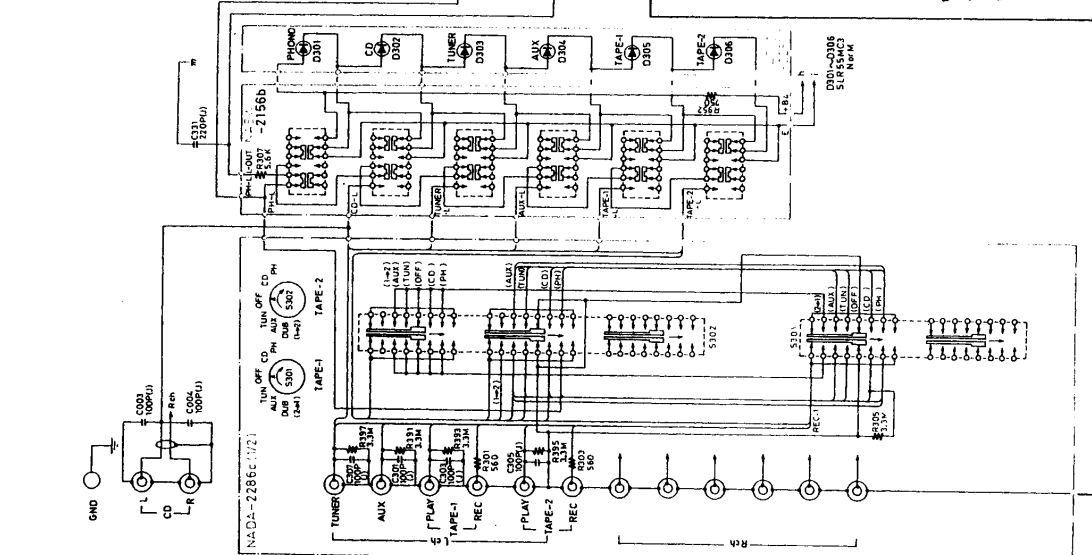
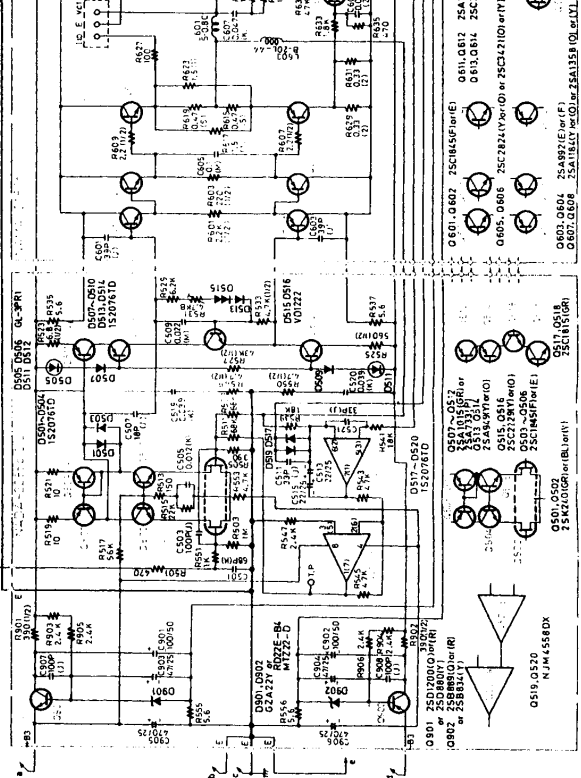
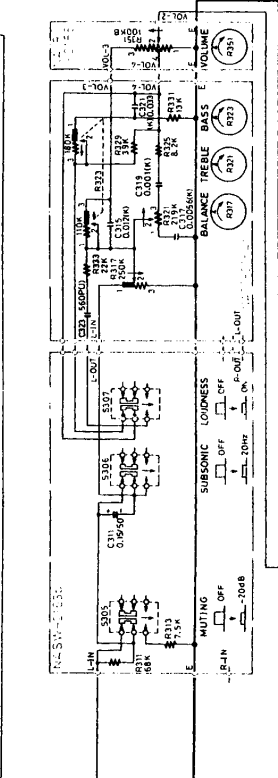
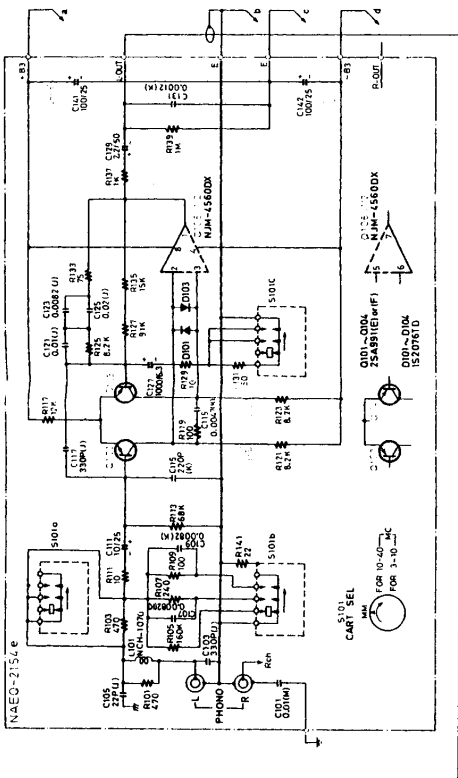
IC BLOCK DIAGRAM

NJM-4560DX, NJM-4558DX



TA7317P





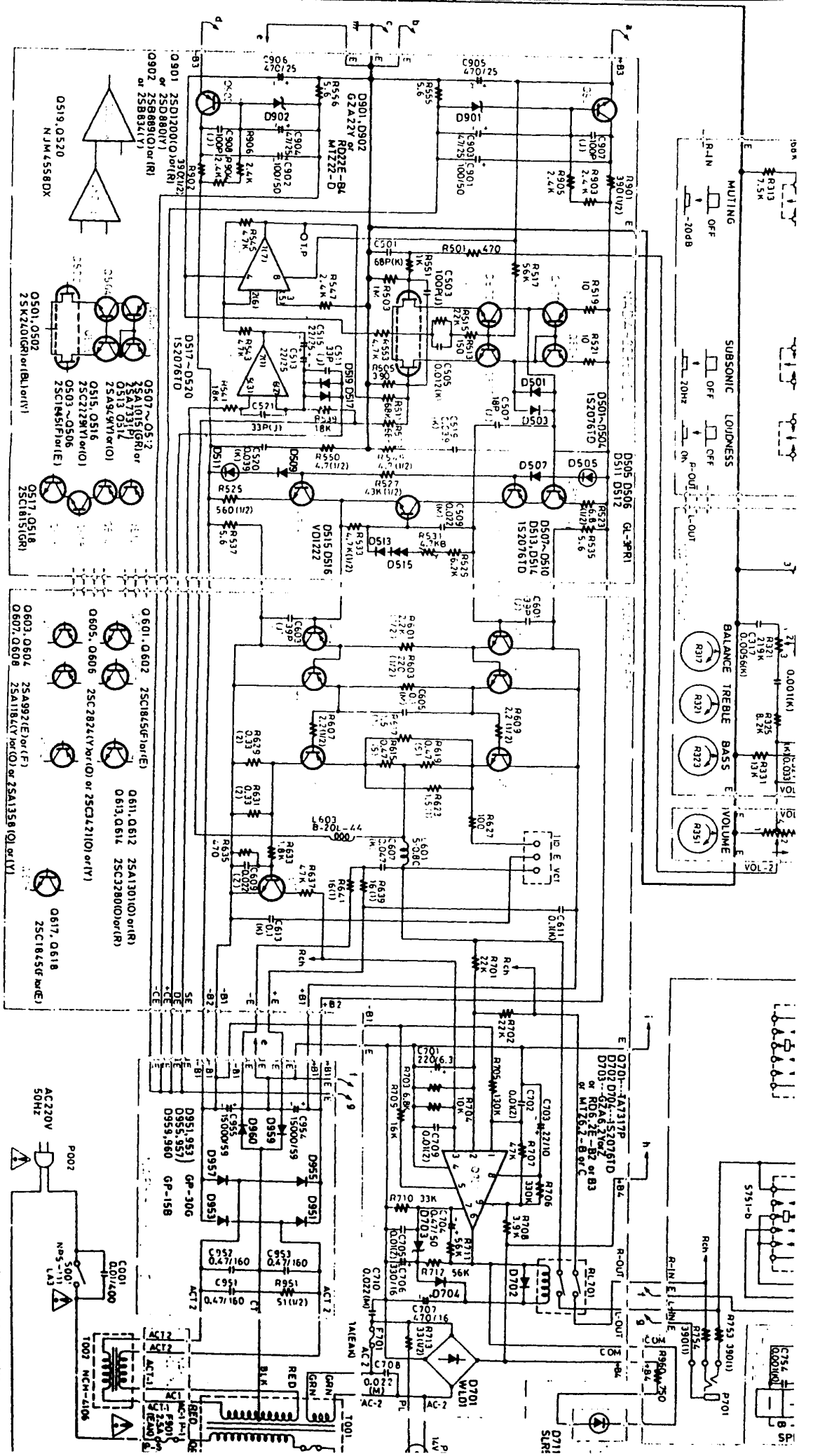
- 25K740
- 25A1184
- 25C2824
- 25D1700
- 25A0115
- 25A0116
- 25A0117
- 25A0118
- 25A0119
- 25A0120
- 25A0121
- 25A0122
- 25A0123
- 25A0124
- 25A0125
- 25A0126
- 25A0127
- 25A0128
- 25A0129
- 25A0130
- 25A0131
- 25A0132
- 25A0133
- 25A0134
- 25A0135
- 25A0136
- 25A0137
- 25A0138
- 25A0139
- 25A0140
- 25A0141
- 25A0142
- 25A0143
- 25A0144
- 25A0145
- 25A0146
- 25A0147
- 25A0148
- 25A0149
- 25A0150
- 25A0151
- 25A0152
- 25A0153
- 25A0154
- 25A0155
- 25A0156
- 25A0157
- 25A0158
- 25A0159
- 25A0160
- 25A0161
- 25A0162
- 25A0163
- 25A0164
- 25A0165
- 25A0166
- 25A0167
- 25A0168
- 25A0169
- 25A0170
- 25A0171
- 25A0172
- 25A0173
- 25A0174
- 25A0175
- 25A0176
- 25A0177
- 25A0178
- 25A0179
- 25A0180
- 25A0181
- 25A0182
- 25A0183
- 25A0184
- 25A0185
- 25A0186
- 25A0187
- 25A0188
- 25A0189
- 25A0190
- 25A0191
- 25A0192
- 25A0193
- 25A0194
- 25A0195
- 25A0196
- 25A0197
- 25A0198
- 25A0199
- 25A0200

NOTES

- ALL RESISTORS ARE IN OHMS 1/2WATT UNLESS OTHERWISE NOTED.
- ALL CAPACITORS ARE IN μF 50V UNLESS OTHERWISE NOTED.
- ELECTROLYTIC CAPACITORS (E) ARE IN μF/WV.
- VOLTAGE MEASURED WITH VTM (NO INPUT SIGNAL).
- CIRCUIT IS SUBJECT TO CHANGE FOR IMPROVEMENT.
- COMPONENTS IDENTIFIED BY MARK Δ ARE CRITICAL FOR SAFETY. REPLACE ONLY WITH PART NUMBER SPECIFIED.

C	D	G	J	K	M	Z
0.25W	0.5W	1W	2W	3W	5W	10W

100



ONKYO COR.

A.2

1001 NP1854C 220V model
NP1854D 220V model