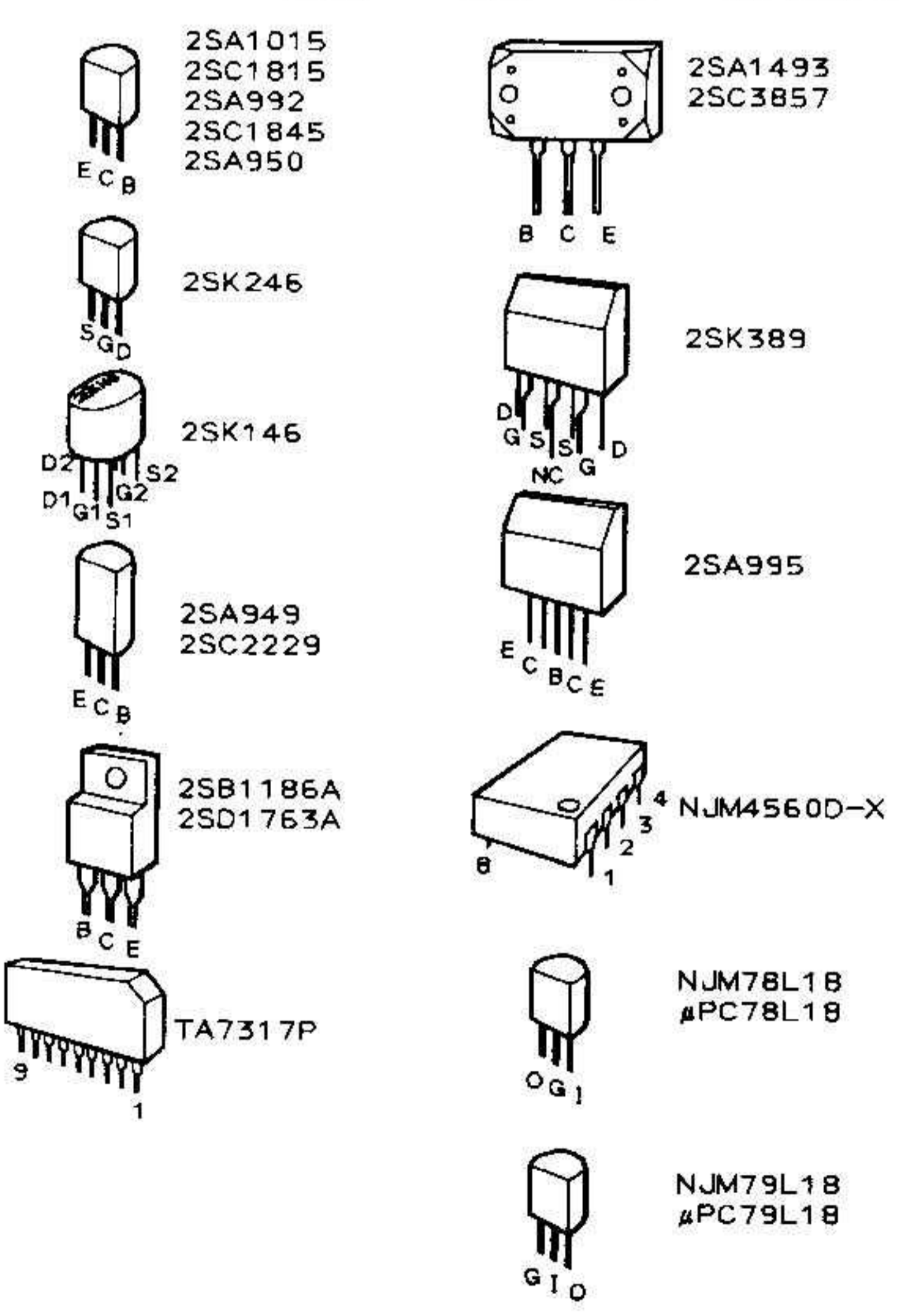
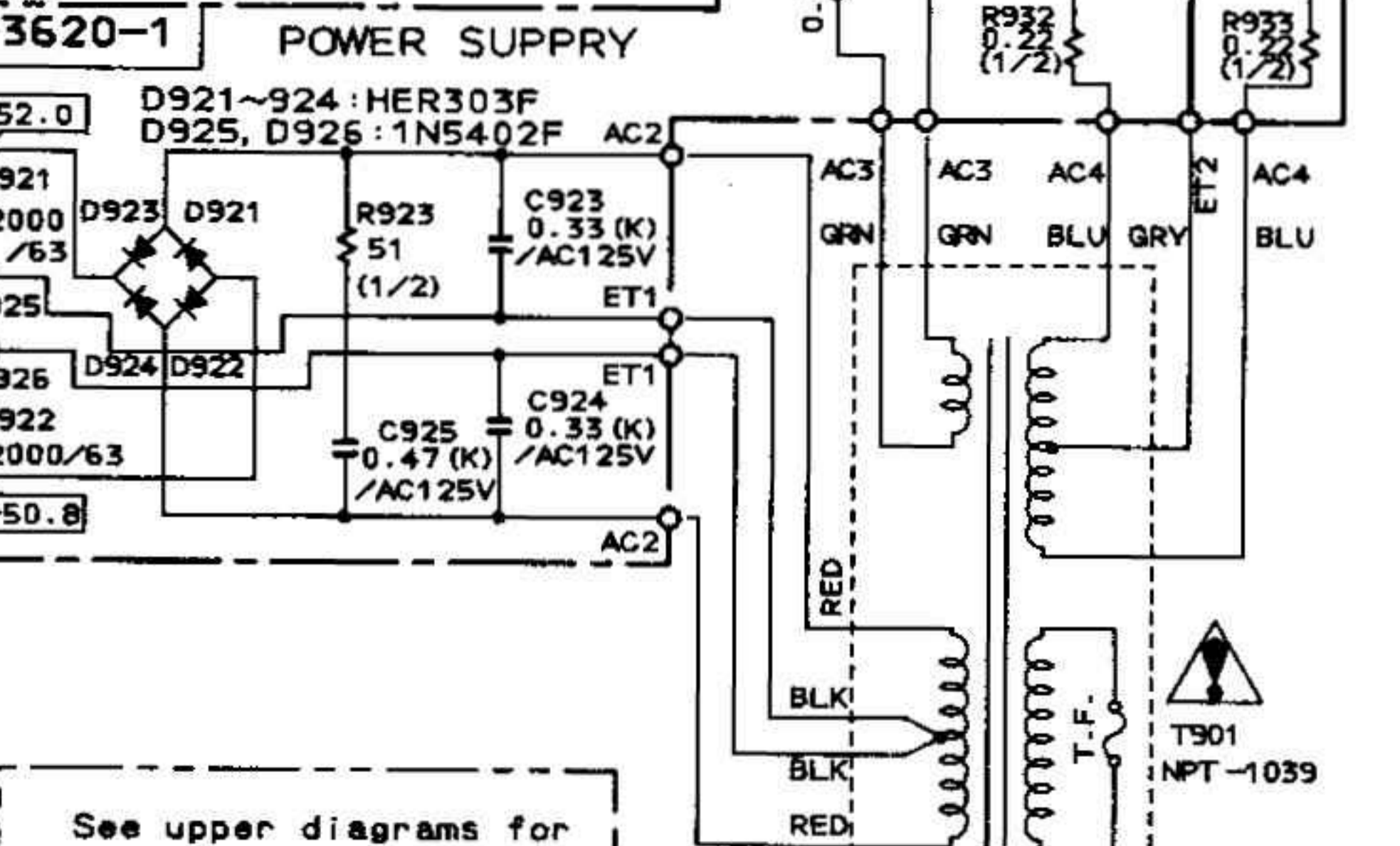
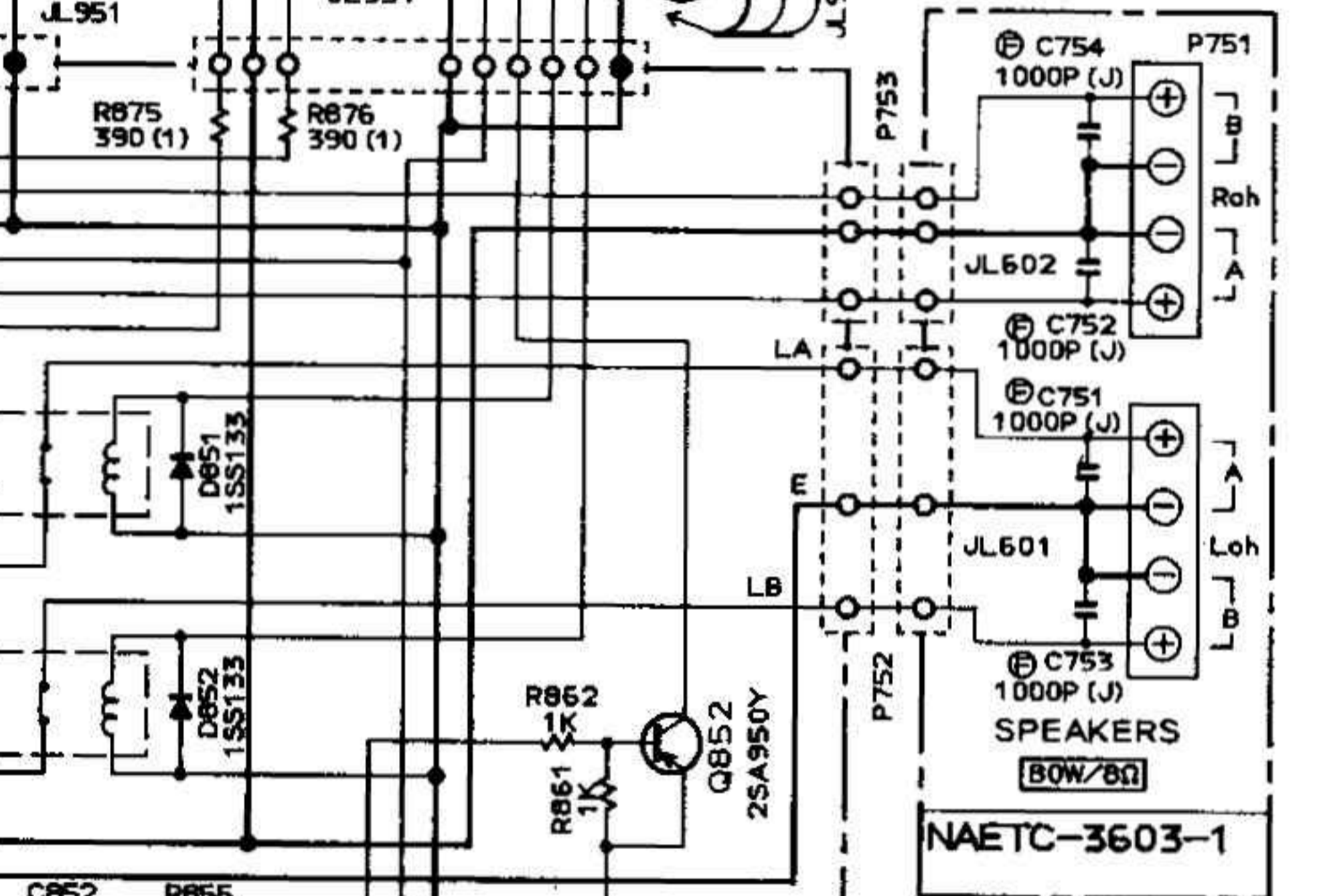
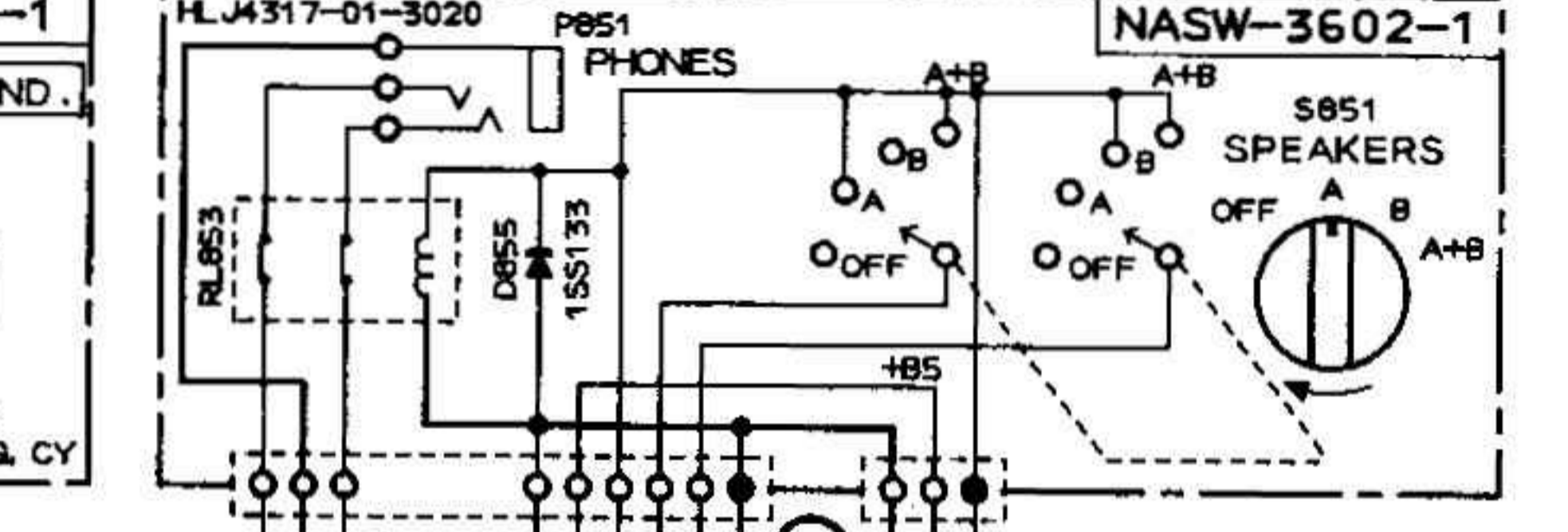
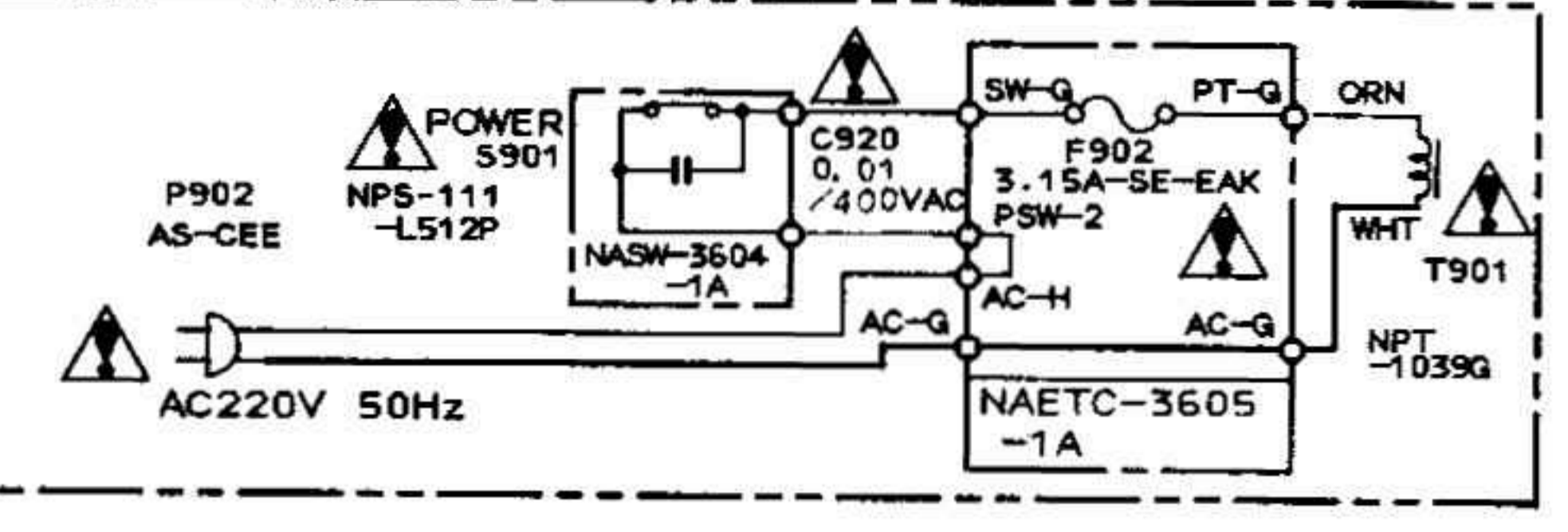


- NOTES**
- ALL RESISTORS ARE IN OHMS 1/4 WATTS UNLESS OTHERWISE NOTED.
 - ALL CAPACITORS ARE IN $\mu\text{F}/50\text{V}$ UNLESS OTHERWISE NOTED.
 - ELECTROLYTIC CAPACITORS (E) ARE IN $\mu\text{F}/\text{V}$.
 - ALL DIODES ARE 1S5133 UNLESS OTHERWISE NOTED.
 - ALL PNP TRANSISTORS ARE 2SA1015-GR OR 2SA733-P UNLESS OTHERWISE NOTED.
 - ALL NPN TRANSISTORS ARE 2SC1815-GR OR 2SC945A-P UNLESS OTHERWISE NOTED.
 - THE COMPONENTS IDENTIFIED BY MARK Δ ARE CRITICAL FOR SAFETY. REPLACE ONLY WITH PART NUMBER SPECIFIED.
 - VOLTAGE MEASURED WITH V.T.V.M. IS DC VOLTAGE (NO INPUT SIGNAL).
 - THE COMPONENTS IDENTIFIED BY MARK \oplus ARE USED ONLY IN UCV TYPE.
 - CIRCUIT IS SUBJECT TO CHANGE FOR IMPROVEMENT.



C	D	G	J	K	M	Z
± 0.25	± 0.5	$\pm 2\%$	$\pm 5\%$	$\pm 10\%$	$\pm 20\%$	$+80\%$
μF	pF					-20%



See upper diagrams for the primary connection.