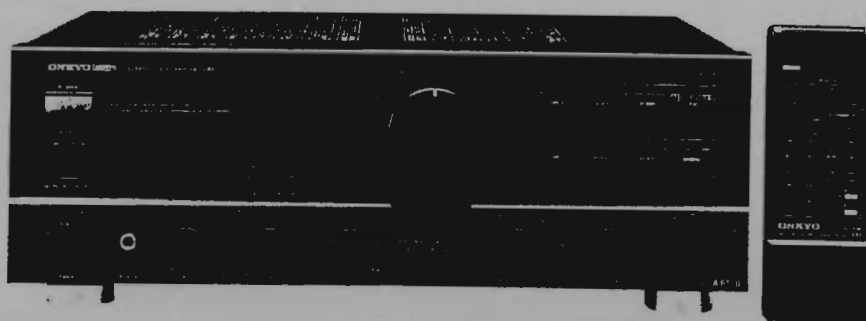


ONKYO® SERVICE MANUAL

Integrated Stereo Amplifier MODEL A-8780



SAFETY-RELATED COMPONENT WARNING!!

COMPONENTS IDENTIFIED BY MARK \triangle ON THE SCHEMATIC DIAGRAM AND IN THE PARTS LIST ARE CRITICAL FOR RISK OF FIRE AND ELECTRIC SHOCK. REPLACE THESE COMPONENTS WITH ONKYO PARTS WHOSE PARTS NUMBERS APPEAR AS SHOWN IN THIS MANUAL.

MAKE LEAKAGE-CURRENT OR RESISTANCE MEASUREMENTS TO DETERMINE THAT EXPOSED PARTS ARE ACCEPTABLY INSULATED FROM THE SUPPLY CIRCUIT BEFORE RETURNING THE APPLIANCE TO THE CUSTOMER.

TABLE OF CONTENTS

Item	Page
Specifications	2
Precautions	2
Block diagram	3
Chassis exploded view	5
Adjustment procedures	8
Circuit description	9
IC block diagram	10
Printed circuit board parts list	14
Packing part list	19
System connections	19
Front panel facilities	20
Printed circuit board view	22
Schematic diagram	27

ONKYO
AUDIO COMPONENTS

SPECIFICATIONS

Power Output:	105 watts per channel, min. RMS, at 8 ohms, both channels driven from 20 Hz to 20 kHz, with no more than 0.008% Total harmonic distortion.	High Cut:	6 kHz (6 dB/Octave) (TREBLE min.)
Dynamic Power:	305 watts 2 ohms, 240 watts 4 ohms	Frequency Response:	CD, Tuner: 2 Hz - 50 kHz (+0, -1 dB)
Total Harmonic Distortion:	0.008% at rated power 0.008% at 1 watt output	RIAA Deviation:	Phono (MM): ± 0.3 dB, 20 Hz - 20 kHz
Intermodulation Distortion:	0.005% at rated power	Subsonic Filter (MM SUBSONIC, MC SUBSONIC):	20Hz (-3dB, 6dB/Oct)
Damping Factor:	150 at 8 ohms (1 kHz)	Signal to Noise Ratio (IHF-A):	Phono (MM): 94 dB (5.0 mV input) Phono (MC): 75 dB (0.5 mV input) CD (DIRECT): 107 dB
Input Sensitivity/ Impedance:	Phono (MM): 2.5 mV/50 kohms Phono (MC): 160 μ V/130 ohms CD: 150 mV/30 kohms TUNER: 150 mV/30 kohms Tape Play: 150 mV/30 kohms Tape Rec: 150 mV/1.0 kohms (Phono)	Muting:	-20 dB, $-\infty$
Output Level/Impedance:		Power Supply:	AC220V, 50Hz
Phono Overload:	Phono (MM): 200 mV RMS. at 1 kHz, 0.012% THD.	Dimensions (W x H x D):	435 x 157 x 391 mm 17-1/8" x 6-3/16" x 15-3/8"
Tone Control (Vol -20 dB):	BASS: ± 8 dB at 100 Hz TREBLE: ± 8 dB at 10 kHz	Weight:	14.1 kg, 31.1 lbs.

Specifications and features are subject to change without notice.

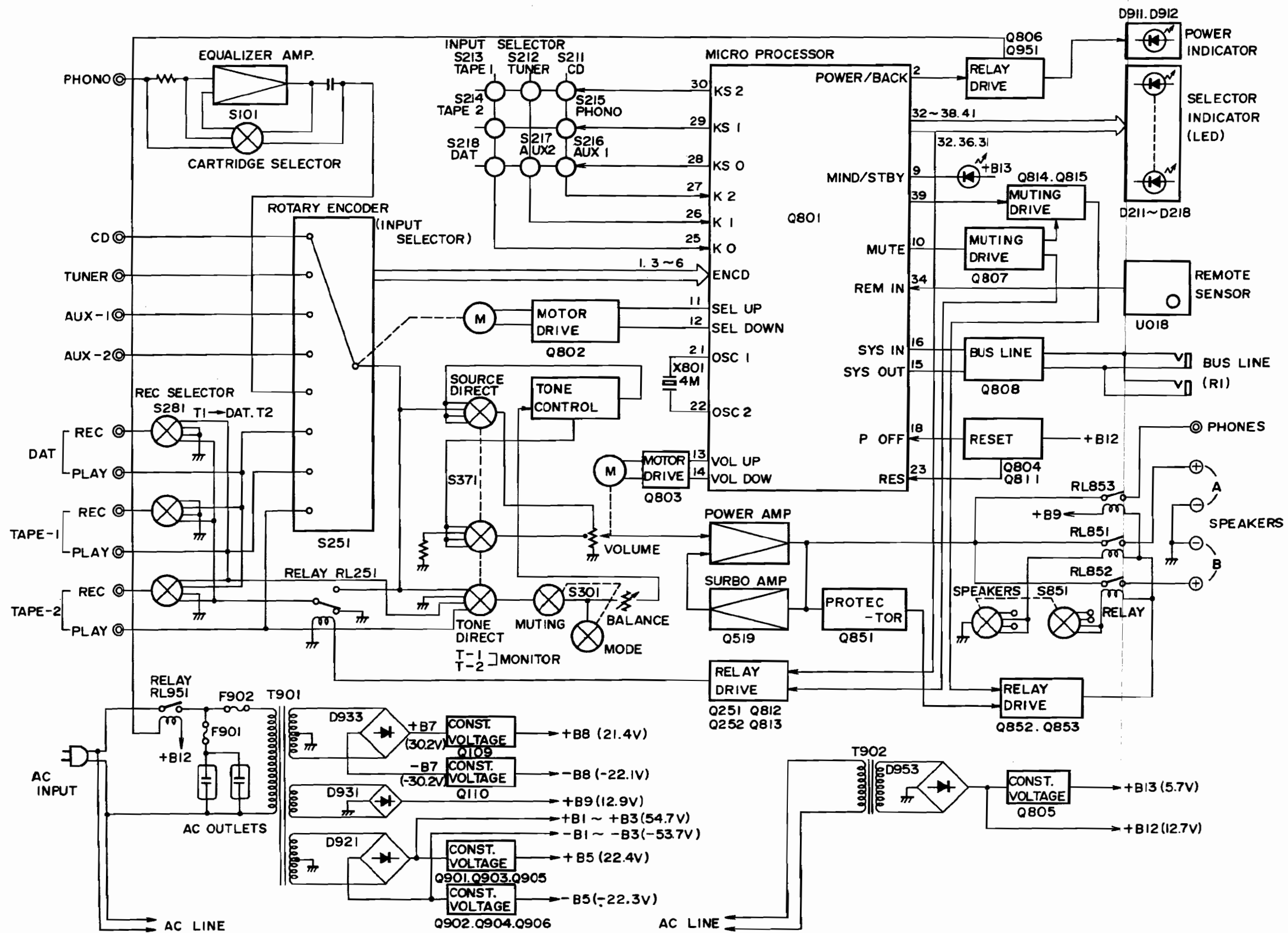
PRECAUTIONS

1. Replacing the fuses

For continued protection against risk fire, replace only with same type and same rating fuse.

CIRCUIT NO.	PART NO.	DESCRIPTION
F901	252075 or 252075CC	2.5A-SE-EAK or 2.5A-SE-EAK, Primary fuse
F902	252077 or 252077CC	4A-SE-EAK or 4A-SE-EAK, Primary fuse

BLOCK DIAGRAM



CHASSIS-EXPLODED VIEW PARTS LIST

REF.NO.	PART NO.	DESCRIPTION	REF.NO.	PART NO.	DESCRIPTION
A001	27110533C	FRONT BRACKET	△P901,P902	25050337	AC OUTLET NSCT-2P164
A003	27270321A	SPACER(VOL)	△P903	253148	AC CORD AS-CEE OR
A005	28140859	CUSHION 20×60×1.5T		253150	AC CORD AS-CEE
A006	27121356-2	BACK PANEL	Q609,Q610	2201703 OR	2SC3855-O OR
A007	27300750	BUSHING(CORD)	Q613,Q614	2201706 OR	2SC3855-P OR
A008	27140881	BRACKET(S)		2201704	2SC3855-Y
A009	28140859	CUSHION 20×60×1.5T	Q611,Q612	2201693 OR	2SA1491-O OR
A011	27130579-1D	BRACKET ASS'Y(L)	Q615,Q616	2201696 OR	2SA1491-P OR
A013	27141353	BRACKET (U)		2201694	2SA1491-Y
A014	27175011C	LEG	S101	25030312A	SWITCH NRSF-104-25BU
A015	27270213	SPACER(PT)	S281	25030328	SWITCH NRSF-104-20BU
A016	27190607	HOLDER KGLS-16S,(U007)	△T901	2300558B	NPT-1073G
A017	27270212	SPACER	U001	1A231501-1A	NAAF-3901-1A PHONO EQUALIZER
A018	27150278-1A	SHIELD PLATE			CIRCUIT PC BOARD ASS'Y
A021	27130592-1B	BRACKET ASS'Y(R)	U002	1A231502-1A	NASW-3902-1A ROTARY ENCODER
A023	27190807	HOLDER VSC-10			CIRCUIT PC BOARD ASS'Y
A025	27160259	HEATSINK	U003	1A230503-1	NASW-3903-1 DIRECT SWITCH PC
A026	27141334	BRACKET (H)			BOARD ASS'Y
A027	27301328	RADIATION SHEET	U004	1A230504-1	NAAF-3904-1 VOLUME CONTROL
A028	27130617A	BRACKET (S)			PC BOARD ASS'Y
A030	27130595B	BRACKET (EQ)	U005	1A230505-1	NASW-3905-1 MUTING/ MODE
A035	27190480	HOLDER KGLS-8S			SWITCH PC BOARD ASS'Y
A036	82143006	PAN-HEAD SCREW 3P +6FN BC	U006	1A230506-1	NAAF-3906-1 TONE CONTROL
A037	83843088	TAP-TIGHT SCREW 3TTB+8BBC			CIRCUIT PC BOARD ASS'Y
A038	833430080	TAP-TIGHT SCREW 3TTP+8PBC	U007	1A230507-1	NAPS-3907-1 POWER SUPPLY
A041	831130088	TAP-TIGHT SCREW 3TTW+8B			CIRCUIT PC BOARD ASS'Y(I)
A042	830440109	TAP-TIGHT SCREW 4TTC+10CB	U008	1A230508-1	NADIS-3908-1 REMOTE CONTROL
A044	801217	SCREW W/WASHER 8W3P +12F			SENSOR PC BOARD ASS'Y
A060	27190808	HOLDER MSC-1613	U009	1A230509-1	NADIS-3909-1 STAND-BY LED PC
A303	28184441B	TOP COVER			BOARD ASS'Y
A304	28140020	CUSHION 10×40×4T	U010	1A230510-1	NASW-3910-1 STAND-BY SWITCH
A305	28140695	CUSHION 25×240 ×1.5T, (BOTTOM BOARD)	U011	1A230511-1	PC BOARD ASS'Y
A306	28140972	CUSHION 25×140 ×1.5T, (BOTTOM BOARD)	U012	1A230512-1A	NASW-3911-1 SPEAKER SWITCH
A500	1A231121	FRONT PANEL ASS'Y			PC BOARD ASS'Y
(A503)	28125204	END CAP(L)	U013	1A230513-1	NAETC-3912-1A POWER SWITCH
(A504)	28125205	END CAP(R)			CIRCUIT PC BOARD ASS'Y
(A506)	27265182A	COSMETIC RING(VOL)	U014	1A230514-1A	NASW-3913-1 INPUT SELECTOR
(A507)	27265185	COSMETIC RING(TONE)			KEY PC BOARD ASS'Y
(A508)	27265186	COSMETIC RING(SP)	U015	1A231515-1A	NAAF-3914-1A MICRO PROCESSOR
(A510)	27267608	GUIDE(PUSH)			CIRCUIT PC BOARD ASS'Y
(A511)	27267569A	GUIDE(POW)	U016	1A230516-1	NAAF-3915-1A AMPLIFIER CIRCUIT
(A512)	28198695	FACET(POW)			PC BOARD ASS'Y
(A514)	28198719	FACET(MUT)	U017	1A230517-1A	NAETC-3916-1 SPEAKER TERMINAL
(A517)	28191539	CLEAR PLATE			PC BOARD ASS'Y
(A520)	28324040	KNOB AS(SEL)			NAETC-3917-1A POWER SUPPLY
A513	28199174	FILM			PC BOARD ASS'Y(II)
A515	28119181	FILM			
A631	27170269	BOTTOM BOARD(L)			
A632	27170270	BOTTOM BOARD(S)			
A633	27175153-1	LEG			
A634	28141024	CUSHION 20×240 ×3.0T, (BOTTOM BOARD)			
A637	834430088	TAP-TIGHT SCREW 3TTS+8BBC			
A638	838440108	TAP-TIGHT SCREW 4TTB+10BBC			
A639	800529	BUSHING(PC)			
A640	801230	TAPPING SCREW 3STS+8BQBC			
A801	28323760	KNOB(VOL)			
A802	28323549	KNOB(TONE)			
A803	28323762	KNOB(SP)			
A804	28323545-1	KNOB(PA)			
A805	28324041	KNOB AS(POW)			
△F901	252075 OR	FUSE 2.5A-SE-EAK OR			
	252075CC	FUSE 2.5A-SE-EAK			
△F902	252077 OR	FUSE 4A-SE-EAK OR			
	252077CC	FUSE 4A-SE-EAK			
P005	25060044	TERMINAL(GROUND)			

NOTE: THE COMPONENTS IDENTIFIED BY MARK △ ARE CRITICAL FOR RISK OF FIRE AND ELECTRIC SHOCK. REPLACE ONLY WITH PART NUMBER SPECIFIED.

ADJUSTMENT PROCEDURES

Adjustments and Checking the Protection Circuitry

1. Preparations

- 1) Place the unit on the workbench. (There should be about 15 mm of space between the base plate of the unit and the work surface.)
- 2) Set up the unit as follows.
 - (1) No load
 - (2) No signal
 - (3) Volume turned all the way down
 - (4) Speaker switch OFF
 - (5) Power switch OFF

Note) Check the following points before making adjustments

- (1) The power switch should be OFF.
- (2) The interior of the unit should not be warm.

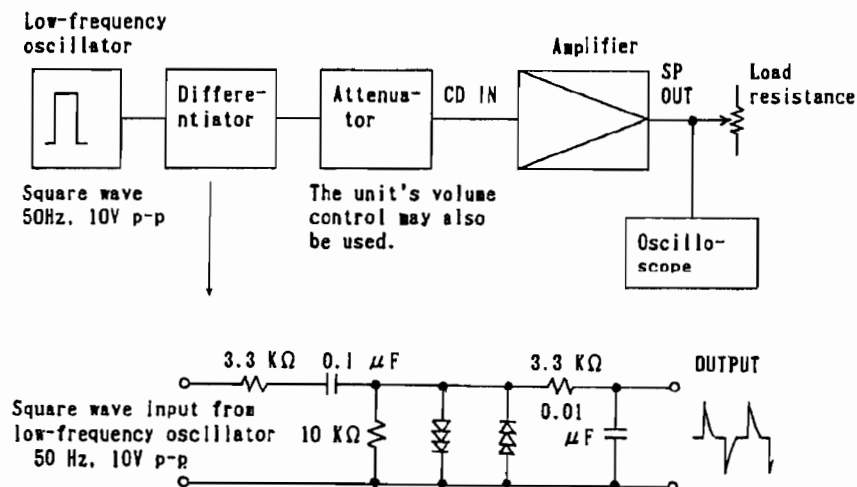
2. Idling current adjustment

- 1) Turn the power switch ON and allow the unit to warm up for about 10 minutes.
 - (1) Adjust R535 (R536) so that the voltage at test point VCT-IID on the NAAF-3915 circuit board is $15\text{mV} \pm 5\text{mV}$.
- Note) Semi-fixed resistors enclosed in parentheses () are for the right channel.

3. Check of operation of protection circuitry

- 1) Check of operation of protection relay
 - (1) Confirm that the relay turns ON approximately 5 seconds after the power switch is turned ON.
 - (2) The relay should turn OFF approximately 0.5 seconds after the power switch is turned OFF.
 - 2) Check of DC detection and servo circuitry operation
 - (1) Turn the power on with no load.
 - (2) After the speaker relay turns ON, apply DC+200mV to the CD input terminals. Confirm that the relay turns OFF.
 - (3) Confirm that operation is the same as (2) above when an input of DC-200mV is applied.
- Note) Under no circumstances connect a load or short the speaker terminals when performing the above test.
- 3) Signal input from the circuit illustrated below with no load.
 - (1) Confirm that the speaker relay does not turn OFF even when a 2 ohm load is connected when a peak value of 35V p-p is output.
 - (2) Next, confirm that when a 1 ohm load is connected the speaker relay switches OFF and ON a couple of times and then stays OFF.

Note) The period before that relay stays OFF should not last for more than 1 minute.
Relay OFF status can be canceled by switching the power OFF.

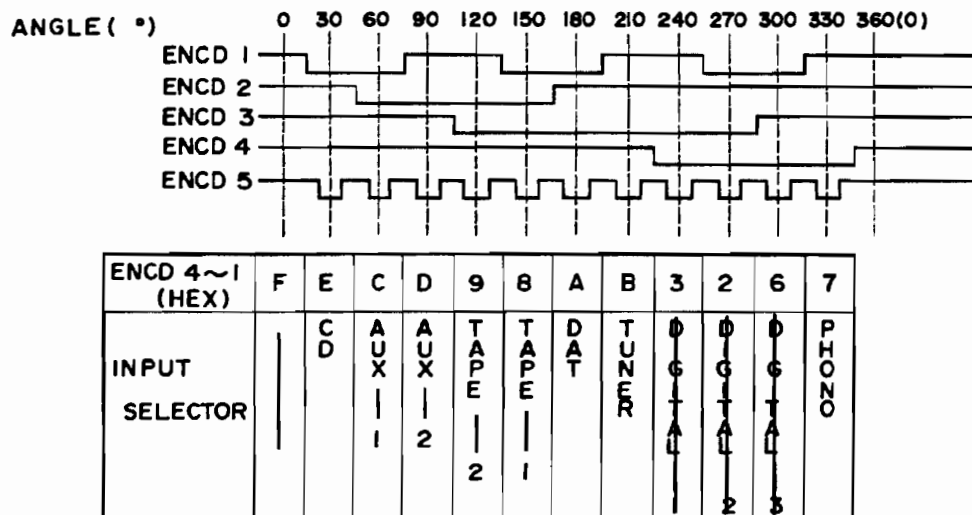


CIRCUIT DESCRIPTION

INPUT SELECTOR

The INPUT SELECTOR is switched over using a rotary encoder driven by a motor. When the INPUT SELECTOR is switched over with an input switch or the remote controller, an UP/DOWN signal is output from the microprocessor(Q801 LC6520H) to start the motor. By monitoring the output of the encoder, when the required position is detected, the motor is stopped.

The relationship between the INPUT SELECTOR positions and encoder outputs are explained below.



The INPUT SELECTOR actually operates as described below.

- 1) When the position is switched over with a key or the remote controller, SEL UP or SEL DOWN is output from the microprocessor to turn the selector in the direction which is nearer to the present position. (The increasing direction is UP, and the decreasing direction is DOWN.)
- 2) While observing the input of the ENCD5 signal from the microprocessor, the 4-bit input code from ENCD4-ENC1 is read at the point where the signal changes from "H" to "L", and when the code of the target position is detected, the motor will stop. When the code is different, the motor will rotate further and the same 4-bit code will be checked at the next point where the ENCD5 input changes. The same operation will be repeated until it reaches the target position.
- 3) If the target position cannot be reached within 10sec., since the SEL UP/DOWN signal is output, the INPUT SELECTOR of the target position will flash (error display).
- 4) When the target position is changed before the selector reaches the first target position, it responds immediately, and changes the direction of rotation to the one which is nearer to the new target position.

Operation when POWER is switched ON

When the POWER is switched on (RES input "L" → "H"), the port and RAM will be initialized. Then, the levels of the initial MODE and BACK inputs are read to determine the required operation. The POWER and MUTING terminals of the microprocessor should be off when the memory is not backed up. When it is backed up, it should be set to the same condition as before power went down.

When the POWER is switched ON, the following operation will be carried out while the MUTE output is set to "H".

1) When it is not backed up

When ENCD5 "L", the indicators of the INPUT SELECTOR corresponding to codes ENCD4-ENCD1 will light. Also, S1 and S2 will be output. When the ENCD5 input is "H", or when the 4-bit code is not effective or is not present, the rotary switch will rotate in the UP direction and stop at the nearest effective position, the INPUT SELECTOR will be indicated and the port will output a signal. If an effective position cannot be found within 10 sec. after this operation has started, the rotation of the rotary switch will be stopped and all the indicators of the INPUT SELECTOR will flash with a frequency of 1 Hz.

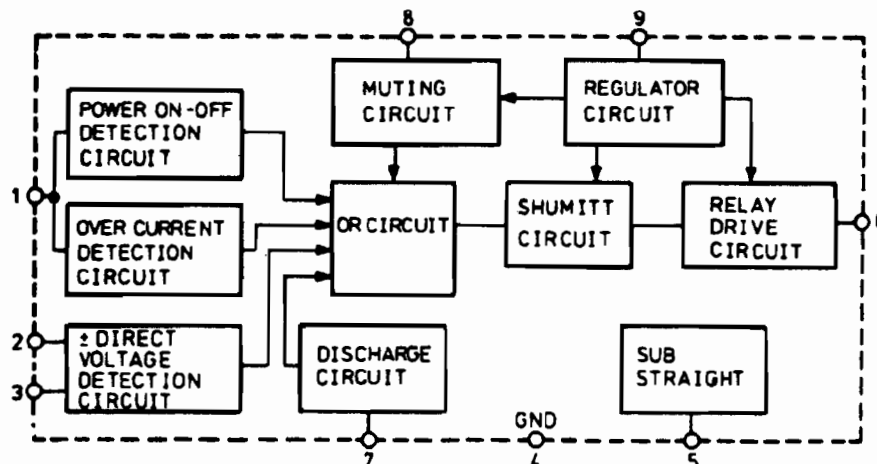
2) When it is backed up

The positions of the INPUT SELECTOR before power went down will be indicated and the port will output a signal. When ENCD5 is "H", or when the 4-bit code is different from the last one, the rotary switch will be rotated to the last position. At this time, if the last position cannot be detected within 10 sec., the rotation of the rotary switch will stop and the indicator of the last INPUT SELECTOR will flash with a frequency of 1 Hz.

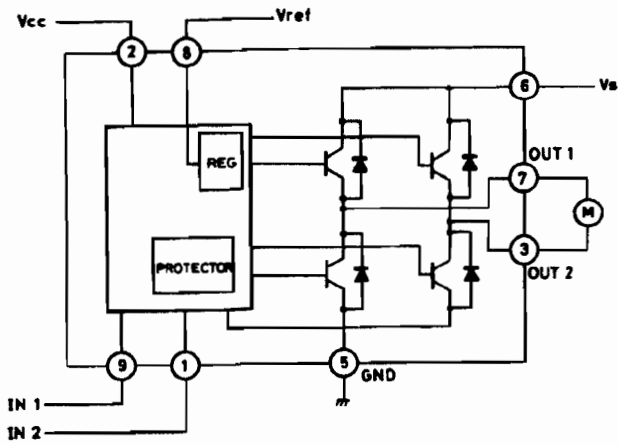
After this, the rotary switch will rotate once in the UP direction to clean the contact points, and will stop in the original portion. At this time, the INPUT SELECTOR indicator S1 and S2 outputs will not be changed.

IC BLOCK DIAGRAM

TA7317P (Protective circuit)

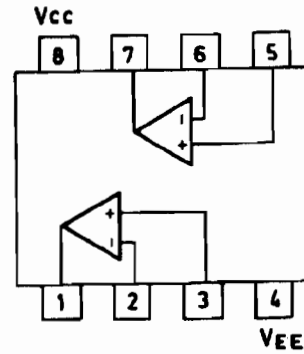


TA7291S (Motor drive)

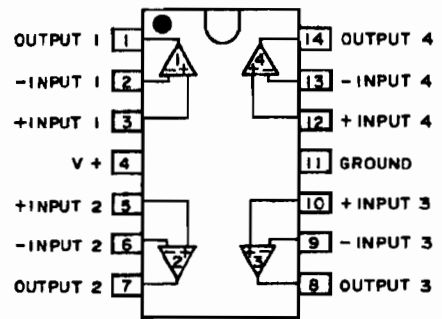


INPUT		OUTPUT		MODE
IN 1	IN 2	OUT 1	OUT 2	
0	0	∞	∞	STOP
1	0	H	L	CW/CCW
0	1	L	H	CCW/CW
1	1	L	L	BRAKE

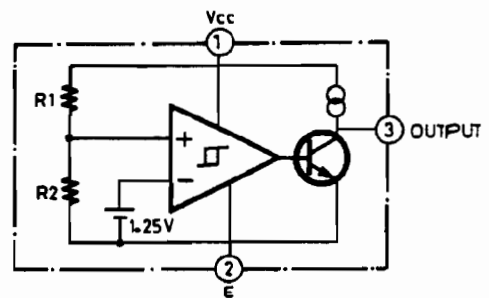
**NJM5532DD (OP Amp)
NJM4560DX**



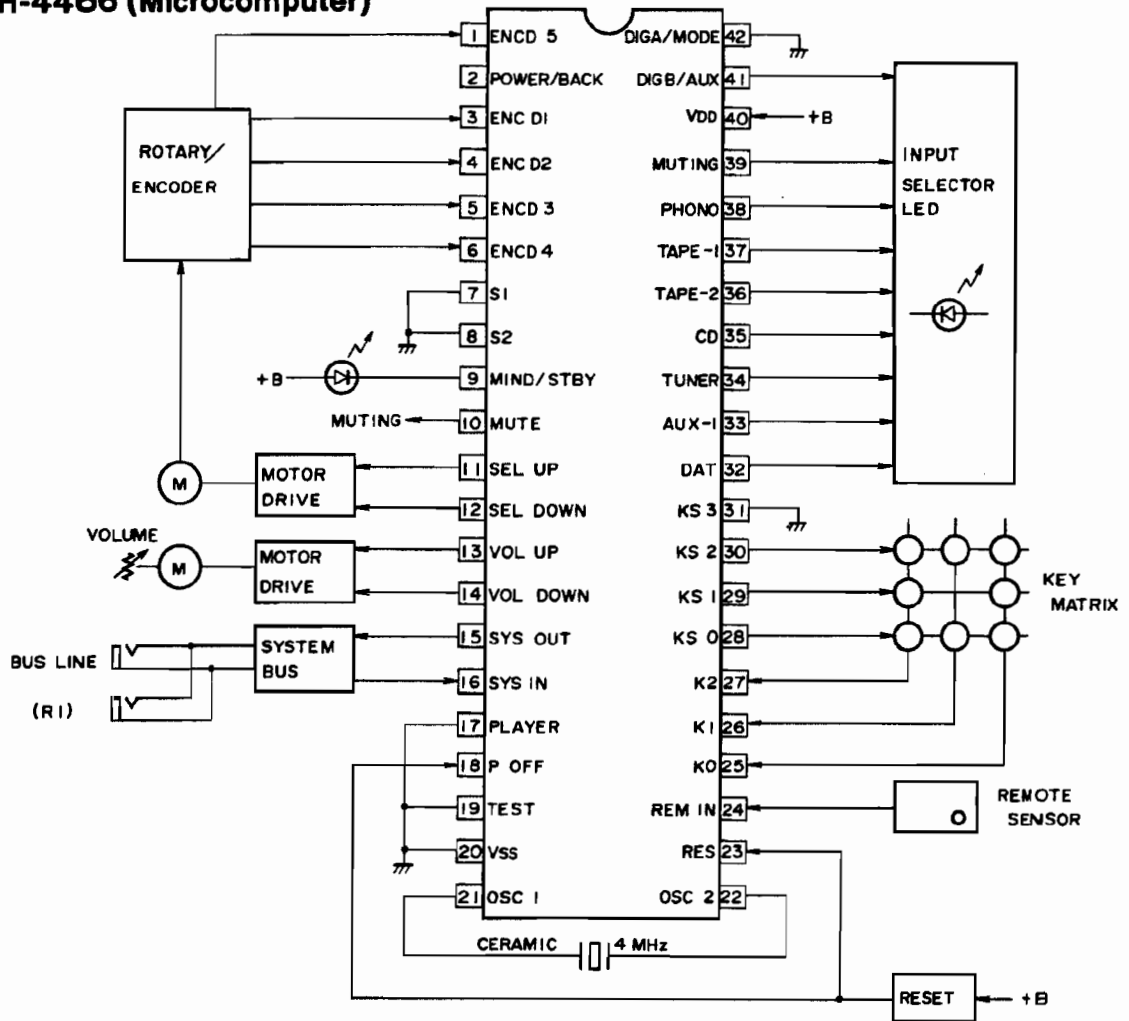
NJM2902N (OP Amp)



M51943BSL (System reset)



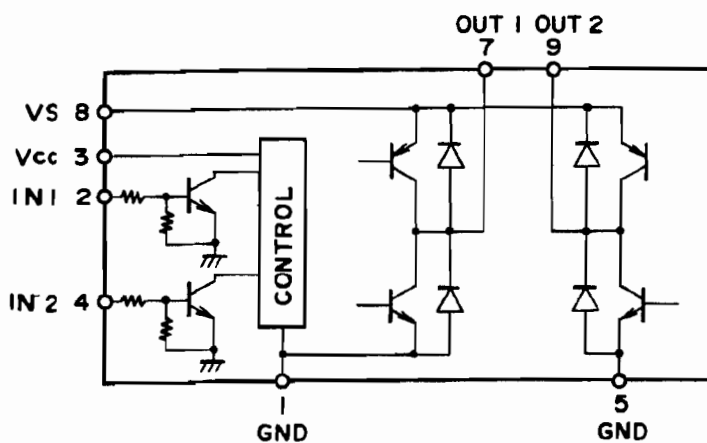
LC6520H-4466 (Microcomputer)



Pin No	Pin name	Symbol	Function																	
2	PA3	POWER/BACK	Power control output terminal. "L" when power on.																	
1	PA2	ENCD5	Input selector position detect input terminal.																	
3	PB0	ENCD1																		
4	PB1	ENCD2																		
5	PB2	ENCD3																		
6	PB3	ENCD4																		
7	PC0	S1	Digital signal switching output terminal.																	
8	PC1	S2																		
			<table border="1"> <thead> <tr> <th rowspan="2">Input Selector</th> <th colspan="2">output</th> </tr> <tr> <th>S1</th> <th>S2</th> </tr> </thead> <tbody> <tr> <td>DIGITAL-1</td> <td>L</td> <td>H</td> </tr> <tr> <td>DIGITAL-2</td> <td>H</td> <td>L</td> </tr> <tr> <td>DIGITAL-3</td> <td>L</td> <td>L</td> </tr> <tr> <td>ANALOG</td> <td>H</td> <td>H</td> </tr> </tbody> </table>	Input Selector	output		S1	S2	DIGITAL-1	L	H	DIGITAL-2	H	L	DIGITAL-3	L	L	ANALOG	H	H
Input Selector	output																			
	S1	S2																		
DIGITAL-1	L	H																		
DIGITAL-2	H	L																		
DIGITAL-3	L	L																		
ANALOG	H	H																		
9	PC2	M.IND/STBY	Muting & Stand-by indicator output terminal.																	
10	PC3	MUTE	Input selector muting output terminal. Active "H".																	
11	PD0	SEL UP	Input selector UP/DOWN output terminal. Active "H".																	
12	PE0	SEL DOWN																		
13	PD2	VOL UP	Volume UP/DOWN control output terminal. Active "H".																	
14	PD3	VOL DOWN																		

15	PE0	SYS OUT	System code output terminal. Active "L".
16	PE1	SYS IN	System code input terminal. Active "H".
17	PE2	PLAYER	PLAYER control output terminal. Active "L". Output "H" for 200ms if remote control K64 code is input when INPUT SELECTOR input is PHONO.
18	PE3	POFF	This is the input terminal for detection of the power failure.
19	TEST	TEST	LSI test terminal. Connect to Vss.
20	VSS	VSS	Ground terminal. Connect to Vss.
21	OSC1	OSC1	Connect to the 4.00MHz ceramic oscillator.
22	OSC2	OSC2	
23	RES	RES	System reset terminal. Active "L".
24	PF0	REM IN	Remote control signal input terminal. Active "L". The photo-sensor output is connected to this terminal.
25	PF1	K0	Key input terminals. Active "H".
26	PF2/SCK	K1	
27	PF3/INT	K2	
28	PG0	KS0	Key scan output terminals. Active "L".
29	PG1	KS1	
30	PG2	KS2	
31	PG3	KS3	
32	PI0	DAT	Input selector indicator output terminal. Active "L".
33	PI1	AUX-1	
34	PI2	TUNER	
35	PI3	CD	
36	PJ0	TAPE-2	
37	PJ1	TAPE-1	
38	PJ2	PHONO	
39	PJ3	MUTING	Muting control output terminal. Muting on "L".
40	VDD	VDD	Power supply terminal. (+5V)
41	PA0	DIGB/AUX-2	Input selector indicator output terminal. Active "L".
42	PA1	DIGA/MODE	AUX-2, MODE="L".

LB1638 (Motor drive)



Tauth Table

IN 1	IN 2	OUT 1	OUT 2	モード
H	L	H	L	NORMAL
L	H	L	H	REVERSE
H	H	L	L	BRAKE
L	L	OFF	OFF	WAIT

PRINTED CIRCUIT BOARD – PARTS LIST

PHONO EQUALIZER CIRCUIT PC BOARD (NAAF-3901-1A)-PART LIST

CIRCUIT NO.	PART NO.	DESCRIPTION
	ICs	
Q105,Q106	222902	NJM5532D-D
Q109	222780205MIT	M5F78M20L
Q110	222790205MIT	M5F79M20L
	Transistors	
Q101,Q102	2211535 OR 2211536 OR 2211537	2SK146-GR OR 2SK146-BL OR 2SK146-V
Q107,Q108	2211255 OR	2SC1815-GR
	Diodes	
D101-D104	225251	LED. TLR112
	Capacitors	
C103,C104	372121024	1000pF,50V,STYRENE
C105,C106	372501514	150pF,125V,STYRENE
C107,C108	372121014	100pF,50V,STYRENE
C109,C110	391222214	220 μ F,6.3V,ELECT.(MUSE)
C111,C112	372122024	2000pF,50V,STYRENE
C113-C116	379122434	0.024 μ F,50V,FILM(DEW)
C117,C118	374724334	0.043 μ F,50V,FILM(TF)
C119-C122	391651017	100 μ F,25V,ELECT.(FS)
C123,C124	374722024	2000pF,50V,FILM(TF)
C129,C130	354780109	1 μ F,50V,ELECT.
C147,C148	354761029	1000 μ F,35V,ELECT.
C149,C150	354741019	100 μ F,16V,ELECT.
C151,C152	391254717	470 μ F,25V,ELECT.(MUSE)
C153,C154	391252217	220 μ F,25V,ELECT.(MUSE)
C155,C156	391251017	100 μ F,25V,ELECT.(MUSE)
	Coils	
L101,L102	231133	NCH-1188
	Switch	
S101	25065394	NSS-84148,SLIDE SWITCH
	Terminal	
P101	25045296	NPJ-2PDBL-155
	Plug	
P102	25055100	NPLG-3P84
	Jumper sockets	
JL101,KL102	25050267	NSCT-3P95

ROTARY ENCODER CIRCUIT PC BOARD(NASW-3902-1A)-PART LIST

CIRCUIT NO.	PART NO.	DESCRIPTION
	Transistors	
Q251	2212600	DTA124ES
Q252	2211455 OR 2211454	2SA1015-GR OR 2SA1015-Y
	Diode	
D251	223163	1SS133
	Capacitors	
C253-C258	373301014	100pF,125V,STYRENE(PP)
C262	354741009	10 μ F,16V,Elect.
C273	373721044	0.1 μ F,50V,FILM(TF)
C274	374721035	0.01 μ F,50V,FILM(TF)
	Switch	
S251	25065282	NRL-2P1.25A-DC12-39

	Terminals	
P251	25045233	NPJ-2PDBL-107
P252	25045166	NPJ-6PDBL-60
P253	25045172	HSJ1003-01-020,MINI-JACK
	Plugs	
P254,P255 P257,P258	25055133	NPLG-3P-117
	Socket ass'y	
P256	2009990090	NSAS-6P0128
	Jumper sockets	
JL251,JL253 JL252	25050273 25050267	NSCT-9P101 NSCT-3P-95
	Bracket	
	27141059	(GROUND)
	Spacer	
	27270244	

DIRECT SWITCH BOARD(NASW-3903-1)-PART LIST

CIRCUIT NO.	PART NO.	DESCRIPTION
	Switch	
S371	25030329A	NRSF-164-20SS
	Sockets	
P254 P255	2009990013 2000931	NSAS-6P0022 NSAS-6P884

VOLUME CONTROL PC BOARD(NAAF-3904-1)-PART LIST

CIRCUIT NO.	PART NO.	DESCRIPTION
	Capacitor	
C323	374721035	0.01 μ F,50V,FILM(TF)
	Resistor	
R321	5104272	N27DGL50KT30,VARIABLE
	Socket ass'y	
P321	2009990091B	NSAS-14P0129
	Plug	
P322	25055234	NPLG-3P218

MUTING / MODE SWITCH PC BOARD(NASW-3905-1)-PART LIST

CIRCUIT NO.	PART NO.	DESCRIPTION
	Switch	
S301	25035601	NPS-222-L565

TONE CONTROL CIRCUIT PC BOARD(NAAF-3906-1)-PART LIST

CIRCUIT NO.	PART NO.	DESCRIPTION
	Capacitors	
C301~C304	374721635	0.016 μ F,50V,FILM(TF)
C305,C306	374721825	1800pF,50V,FILM(TF)
C307,C308	374728234	0.082 μ F,50V,FILM(TF)
	Resistors	
R301	5148107A	N16RGM C250KMN25,VARIABLE
R302	5142002	N16RGM11C100K25,VARIABLE
R303	5144011	N16RGM11C70K88K25,VARIABLE

POWER SUPPLY CIRCUIT (I) PC BOARD(NAPS-3907-1)-PART LIST

CIRCUIT NO.	PART NO.	DESCRIPTOIN
	Diodes	
D921	22380014	PB1023F
D925,D926	22380012	HER303F
D931,D933	22380013	RDF02M
	Coils	
L931	230906	BL02RN2-R62
L932,L933	230905	BL02RN1-R62
	Capacitors	
C921,C922	3504233	18000 μ F,63V,ELECT.
C923,C924	374503345	0.33 μ F,125V,FILM(ME)
C931,C932	374722235	0.022 μ F,50V,FILM(TF)
C935,C936		
C933	354741029	1000 μ F,16V,ELECT.
C937	374501045	0.1 μ F,125V,FILM(ME)
C938,C939	354761029	1000 μ F,35V,ELECT.
	Resistors	
R931	442520104	1 Ω ,1/2W,METAL OXIDE FILM
R932,R933	442522294	0.22 Ω ,1/2W,METAL OXIDE FILM
	PLUG	
P923	25055133	NPLG-3P-117
	Socket ass'y	
P102	2009990069	NSAS-6P0106
P921,P922	2009990089	NSAS-4P0127
	Jumper socket	
JL931	25050267	NSCT-3P95
	Bracket	
	27301270	BUS
	Tape	
	29110083	

REMOTE CONTROL SENSOR PC BOARD(NADIS-3908-1)-PART LIST

CIRCUIT NO.	PART NO.	DESCRIPTION
	Photo receiving unit	
U018	24130003	GP1U50XS
	Diodes	
D881	225141	SEL2213C
D882	223163	1SS133

C882	Capacitor 354744709	47 μ F,16V,ELECT.
	Plug	
P881	25055133	NPLG-3P117
	Holder	
	27190679	HOLDER(LED)

STAND-BY LED PC BOARD(NADIS-3909-1)-PART LIST

CIRCUIT NO.	PART NO.	DESCRIPTION
Q911	2213640	DTC123JS
	Diodes	
D911,D912	225142DX2	SEL2913K-DX2
	Jumper socket	
JL911	25050267	NSCT-3P95
	Holder	
	27190678	HOLDER(LED)

STAND-BY SWITCH PC BOARD(NASW-3910-1)-PART LIST

CIRCUIT NO.	PART NO.	DESCRIPTION
	Switch	
S901	25035625	NPS-121-S583

SPEAKER SWITCH PC BOARD(NASW-3911-1)-PART LIST

CIRCUIT NO.	PART NO.	DESCRIPTION
	Diode	
D856	223163	1SS133
	Switch	
S851	25030311A	NRSF-124-20BU
	Relay	
RL853	25065174	NRL-2P1A-DC12-09
	Stereo jack	
P851	25045229	HLJ4317-01-3120
	Socket	
P852	2009990092	NSAS-14P013C
	Bracket	
	27150208	

POWER SWITCH CIRCUIT PC BOARD(NAETC-3912-1A,)-PART LIST

CIRCUIT NO.	PART NO.	DESCRIPTION
D951	Diode 223163	1SS133
△ C971	Capacitor 3500065A	0.01 μF,AC400V/125V,FILM(IS)
△ C973	3500065A	0.01 μF,AC400V/125V,FILM(IS)
RL951	Relay 25065248	NRL-1P15A-DC12-29
JL955	Jumper socket 25050267	NSCT-3P95
△ F901a	Fuse holder 25050065	YSH403T
△ F902a	25050065	YSH403T
	Terminal 25060092	NTM-1S33

C807,C815	354741009	10 μF,16V,ELECT.
C810,C814	354744709	47 μF,16V,ELECT.
C822,C825		
C818	354780479	4.7 μF,50V,ELECT.
C819	354780109	1 μF,50V,ELECT.
C821	354761009	10 μF,35V,ELECT.
C824	354724719	470 μF,6.3V,ELECT.
C827	3000051	0.047F,5.5V,SUPER
C829	375524744	0.47 μF,50V,FILM(MMT)
C830,C831	374721044	0.1 μF,50V,FILM(TF)
	Resistors	
R801	49163103405	RM1/101J 10K×5,NETWORK
R817	49163473409	RM1/101J 47K×9,NETWORK
	Socket ass'y	
P257	2000560	NSAS-6P516
P258	2000931	NSAS-6P884
P322	2000551	NSAS-6P507
P881	2000809	NSAS-6P765
P923	2000784	NSAS-6P740
	Jumper sockets	
JL801	25050268	NSCT-4P96
JL802	25050267	NSCT-3P95

INPUT SELECTOR KEY PC BOARD(NASE-3913-1)-PART LIST

CIRCUIT NO.	PART NO.	DESCRIPTION
D211~D218	Diodes 225137DG OR 225137DY OR 225137CG OR 225137CY	LED,SEL2413-DG OR LED,SEL2413-DY OR LED,SEL2413CG OR LED,SEL2413CY
S211~S218	Switches 25035548	NPS-111-S510
	Holder 27190731	HOLDER(LED)

MICRO PROCESSOR CIRCUIT PC BOARD(NAAF-3914-1A)-PARTS LIST

CIRCUIT NO.	PART NO.	DESCRIPTION
	ICs	
Q801	22240357	LC6520H-4466
Q802	22240358	LB1638
Q803	22240239	TA7291S
Q804	222951	M51943BSL
Q805	222780052	78M05
	Transistors	
Q806,Q808	2213090	DTA114YS
Q812,Q814		
Q807,Q811	2211255	2SC1815-GR
Q813,Q815	221282	DTC144ES
	Diodes	
D801~D806	223163	1SS133
D809		
D812~D816		
D810,D811	224450562	MTZ5.6B,Zener
	Coils	
L801	233409K220	NCH-1284
L802~L805	230906	BL02RN-R62
	Ceramic resonator	
X801	3010150	CST4.00MGW

**SPEAKER TERMINAL PC BOARD(NAETC-3916-1)-
PART LIST**

CIRCUIT NO.	PART NO.	DESCRIPTION
P751	Terminal 25060138	NTM-8PDMN066

**POWER SUPPLY PC BOARD(NAETC-3917-1)-PART
LIST**

CIRCUIT NO.	PART NO.	DESCRIPTION
Q951	Transistor 2213650	DTD113ZS
D953	Diode 22380013	RDF02M
△ T902	Transformer 2300570	NPT-1075G
C952,C953	Capacitors 374722235	0.002 μ F,50V,FILM(TF)
C954	354752229	2200 μ F,25V,ELECT.
R952	Resistor 441628214	820 Ω ,1W,METAL OXIDE FILM
	Plate 28175178	INSULATING PLATE

NOTE: THE COMPONENTS IDENTIFIED BY MARK Δ ARE
CRITICAL FOR RISK OF FIRE AND ELECTRIC
SHOCK.REPLACE ONLY WITH PARTS NUMBER
SPECIFIED.

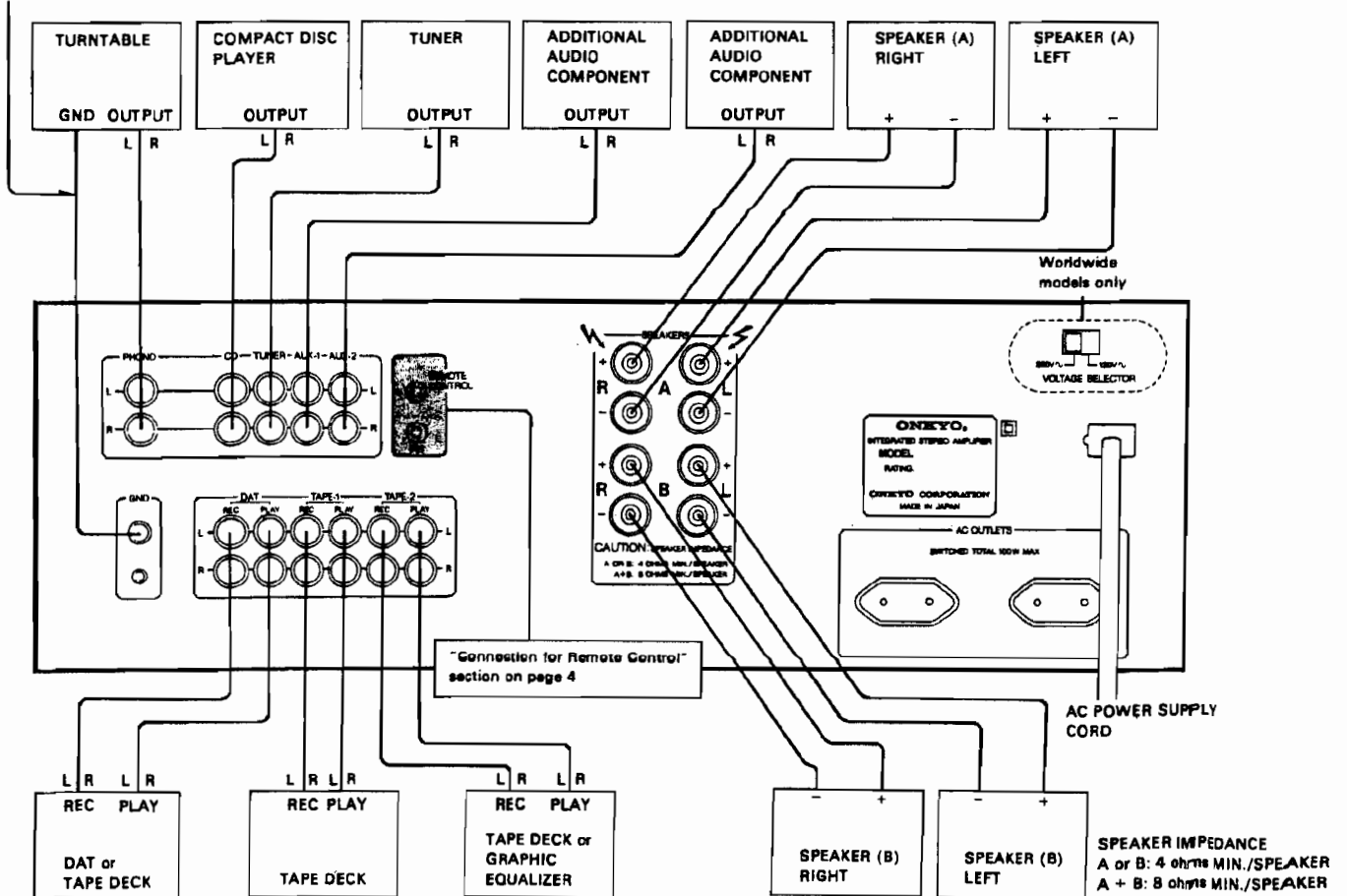
PACKING- PARTS LIST

REF.NO.	PART NO.	DESCRIPTION
A851	29052084-1	MASTER CARTON BOX
A852	29091406A	PAD ASS'Y,LEET
A853	29091126-1D	PAD RIGHT
A854	261504	PAPER TAPE
A855	29100063	500 × 750,POLY-VINYL BAG
A857	282301 OR 282311	SEALING HOOK OR SEALING HOOK
A858	260012 OR 29110071-1	DAMPLON TAPE(W=50)OR DAMPLON TAPE(W=50)
ACCESSARY BAG		
A901	29341535	INSTRUCTION MANUAL
A908	29365020A	WARRANTYCARD
A909	29100094A	POLY-VINYL BAG(WARRANTYCARD)
A902	29100097	350 × 250,POLY-VINYL BAG
A904	24140180	RC-180S,REMOTE CONTROL TRANSMITTER
A905	3010054	UM-3,BATTERY
A906	2010200	3.5mm,MINI PLUG ASS'Y

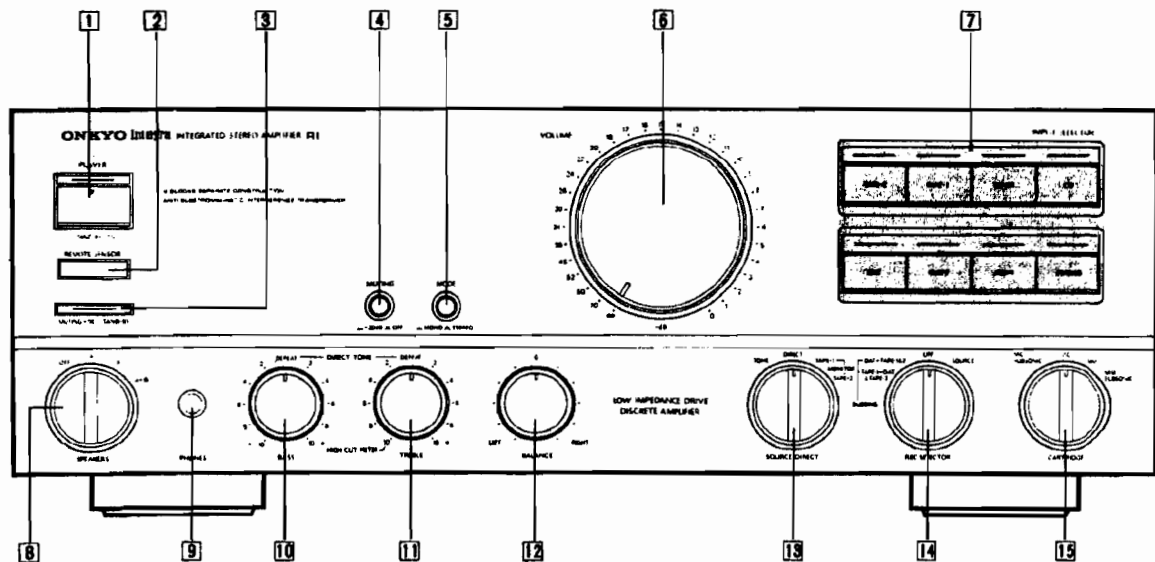
SYSTEM CONNECTIONS

Do not plug in the power cord until all connections have been made.

Ground connection is not necessary for turntables without ground leads.



FRONT PANEL FACILITIES



- 1 Power Button (POWER)**
Press the POWER button to turn on the power. Press this button to switch the on/off status of the power supply and the AC outlets on the rear panel. Power can also be turned on by using the remote control POWER button. An orange band over the power button indicates power is on.
- 2 Remote Control Sensor**
This receives signals sent from RC-180S remote control transmitter.
- 3 MUTING -∞/STAND-BY Indicator**
This indicator is illuminated and the unit enters STAND-BY mode, when the unit is plugged in. The power is turned ON/OFF by pressing the POWER button or remote control transmitter POWER button. The indicator blinks on and off and the sound is muted when the remote control transmitter MUTING -∞ button is pressed.
- 4 Muting Switch (MUTING)**
When this switch is set to the -20dB position, the volume level is reduced to one-tenth of the level set by the VOLUME control.
- 5 Mode Selector Switch (MODE)**
STEREO () : Position for normal stereo listening.
MONO () : Both right and left channel signals are sent to each speaker. Position for listening to monaural recordings or when adjusting the BALANCE control.
- 6 Volume Control Knob (VOLUME)**
This controls volume. Turning it clockwise increases volume. When controlling with the remote control transmitter, pressing "UP" and "DOWN" increases and decreases volume respectively. This control employs the system of simultaneous changes in volume and boost characteristics.
- 7 Input Selector Buttons and Indicators (INPUT SELECTOR)**
These buttons are used to select the desired program source. Pressing one releases the previously pressed button, so be sure to press only one button at a time. An indicator shows which program has been selected.
TAPE-2 : Tape deck connected to the TAPE-2 jacks.
TAPE-1 : Tape deck connected to the TAPE-1 jacks.
TUNER : Tuner connected to the TUNER jacks.
CD : Compact disc player connected to the CD jacks.

DAT : Tape deck connected to the DAT jacks.
AUX-1, 2 : Additional audio component connected to the AUX-1 or 2 jacks.
PHONO : Turntable connected to the PHONO jacks.

- 8 Speaker Selector Switch (SPEAKERS)**
This unit can drive two different speaker systems at once. Use this selector to activate either or both speaker systems connected to the rear panel speaker terminals. In the OFF position, sound is heard only through the headphones.
OFF : All speakers off—only headphones operate.
A : Speakers A
B : Speakers B
A + B : Both speaker systems A and B.
- 9 Headphone Jack (PHONES)**
Stereo headphones with a standard binaural plug can be connected here.
- 10 Bass Control Knob (BASS)**
Turn right to boost or left to attenuate bass. In the DEFEAT position, the BASS tone control circuitry is completely bypassed.
- 11 Treble Control Knob (TREBLE)**
Turn right to boost or left to attenuate treble. In the DEFEAT position, the TREBLE tone control circuitry is completely bypassed. When turned to the extreme left (-10) the TREBLE control acts as a high cut filter to eliminate scratches, hissing and other high frequency noise.

About the Variable Tone Boosting System

This unit is designed to gradually reduce the effect of the tone controls (BASS and TREBLE) when the VOLUME exceeds a certain level. The variable boosting system gradually reduces the boosting effect of the BASS and TREBLE controls when one or both of these controls is turned beyond (to the right of) the center defeat position and the VOLUME control is turned beyond the center position. When the VOLUME is turned all the way up, the frequency response will be flat again. The VOLUME settings below the center position have no effect on the DIRECT TONE controls. Also, BASS and TREBLE control settings below (to the left of) the center DEFEAT position are not altered by the volume level.

- 12 **Balance Control Knob (BALANCE)**
Adjust to control the relative volume level of the left and right speakers or headphones.
- 13 **Source Direct Switch (SOURCE DIRECT) TONE**
: The DIRECT TONE control, MUTING (-20dB), BALANCE and MODE of the performance can be altered for the source selected with the INPUT SELECTOR button, or remote control transmitter.
DIRECT
: The volume of the source selected with the INPUT SELECTOR buttons or remote control transmitter can be input directly into the main amplifier. At this time the signal will bypass the DIRECT TONE, MUTING (-20dB), BALANCE, and MODE circuits.
MONITOR TAPE-1/TAPE-2
: The sound which is being recorded can be monitored, when the three-head tape deck is connected. When this is selected, DIRECT TONE, MUTING (-20dB), BALANCE, and MODE can be effective.

- 14 **Recording Source Selector Switch (REC SELECTOR)**
DAT or TAPE can be selected by the REC SELECTOR switch.
TAPE-1 ▶ DAT & TAPE-2 / DAT ▶ TAPE-1 & 2
: Use either of these settings for tape dubbing operations depending on which deck is being used for playback and which is being used for recording. For details, refer to the Operations section.
OFF
: When not recording or dubbing.
SOURCE: Recording from the source selected by the INPUT SELECTOR buttons or remote control transmitter.
- 15 **Cartridge Selector Switch (CARTRIDGE)**
MC SUBSONIC : Turntable using an MC cartridge with subsonic filter.
MC : Turntable using an MC cartridge.
MM : Turntable using an MM cartridge.
MM SUBSONIC : Turntable using an MM cartridge with subsonic filter.

Use the MM position when a step-up transformer is being used with a turntable equipped with an MC cartridge.

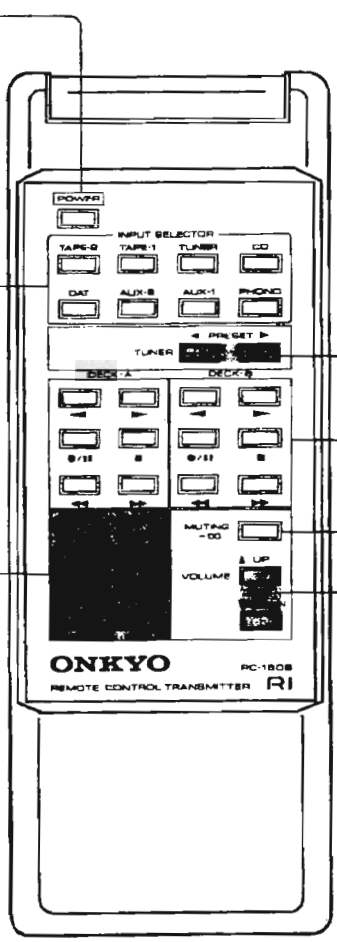
Remote control transmitter RC-180S

Power Button (POWER)

Input Selector Buttons (TAPE-2, TAPE-1, TUNER, CD, DAT, AUX-2, AUX-1, PHONO)

CD Operation Buttons (CD)

- These buttons are used to operate an ONKYO CD player with the **RI** mark.
- ⏏ : Press this button to pause the CD play back. To resume disc play, press the PLAY (▶) button.
 - ▶ : Press this button to play the CD player.
 - : Press this button to stop the CD player.
 - ⏮ : Press this button to go back to the beginning of the current track and again to skip back to the previous track.
 - ⏭ : Press this button to skip to the next track.



Tuner Operation Buttons (TUNER)
◀ PRESET ▶ : Preset memory DOWN/UP buttons

Tape Operation Buttons (DECK-A, DECK-B)
These buttons control ONKYO double cassette tape decks that can be remote controlled. Use the DECK-B buttons to control single cassette tape decks with the **RI** mark.

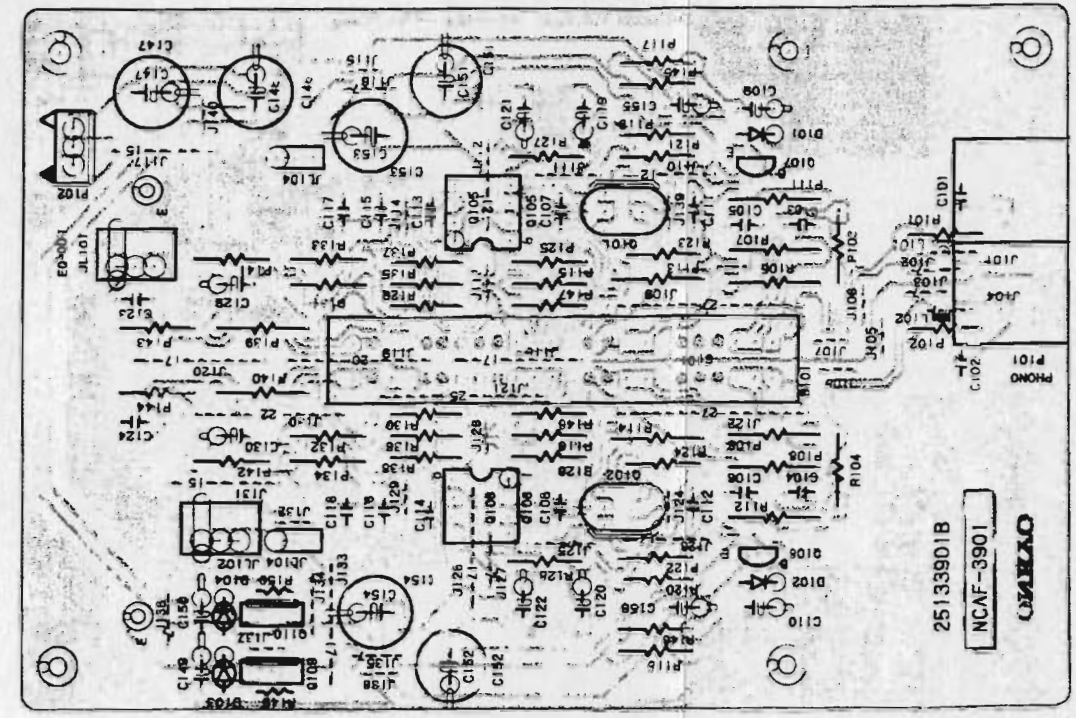
- ◀ : The tape plays, moving from right to left, or, in the recording stand-by mode, recording begins.
- ▶ : The tape plays, moving from left to right, or, in the recording stand-by mode, recording begins.
- /⏏ : When this is pressed, the recording stand-by mode is entered.
- : Interrupts all operations.
- ⏮ : Fast forward from right to left.
- ⏭ : Fast forward from left to right.

Audio Muting Button (MUTING -∞)
This button temporarily switches off the sound from the speaker or headphone. Pressing this button will operate the A-R700 audio muting circuit. The audio muting indicator will blink on and off. Pressing the button again or using the POWER button to turn the power on will turn off the audio muting.

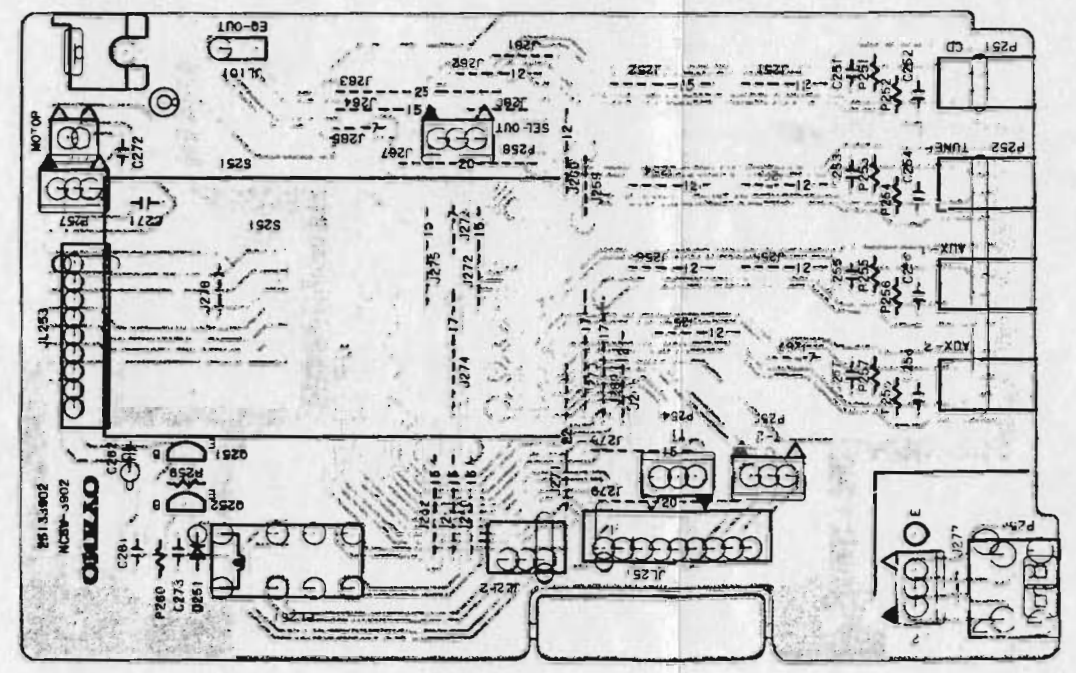
Volume Buttons (▲ UP, ▼ DOWN)

PRINTED CIRCUIT BOARD VIEW FROM BOTTOM SIDE

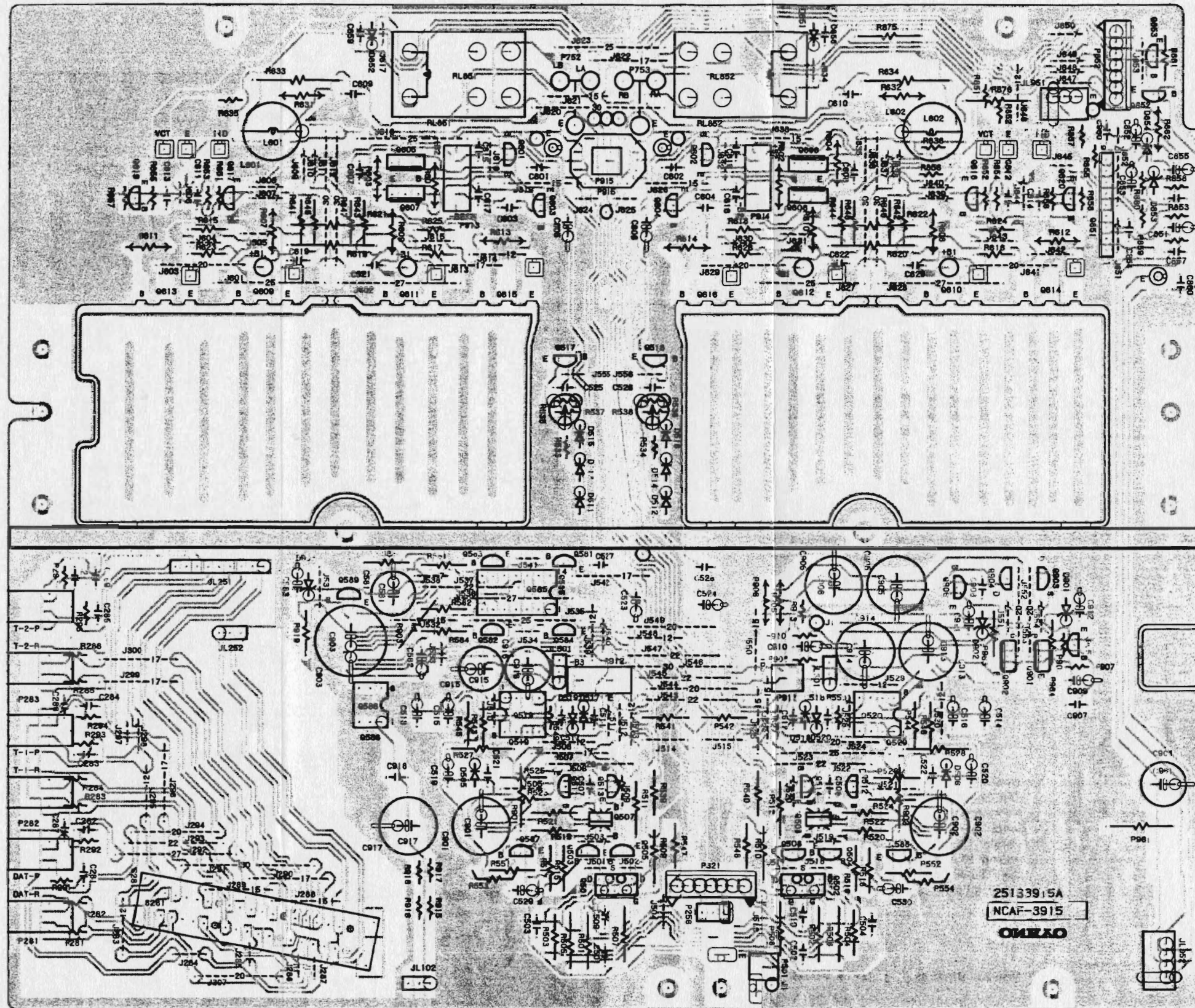
NAAF-3901



NASW-3902

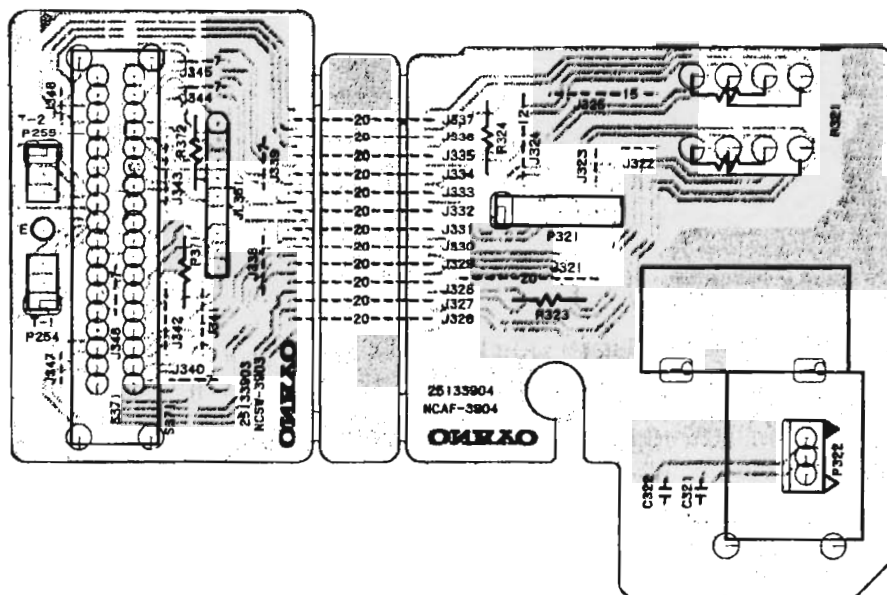


NAAF-3915

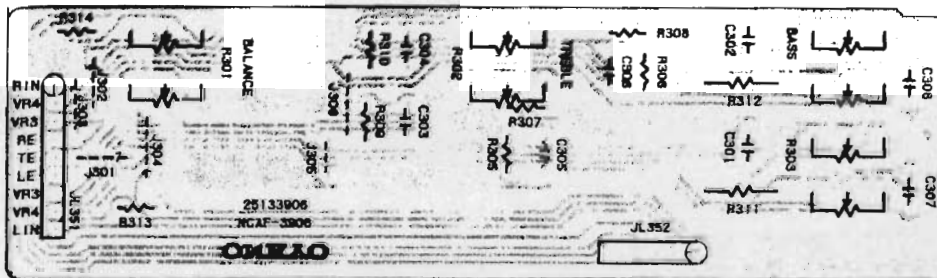


NASW-3903

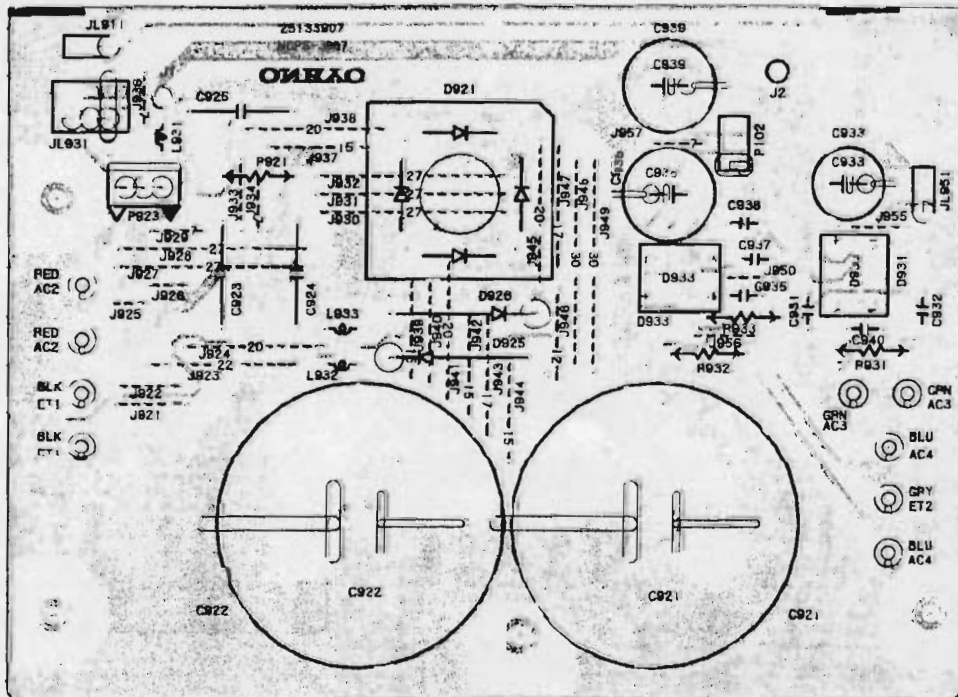
NAAF-3904



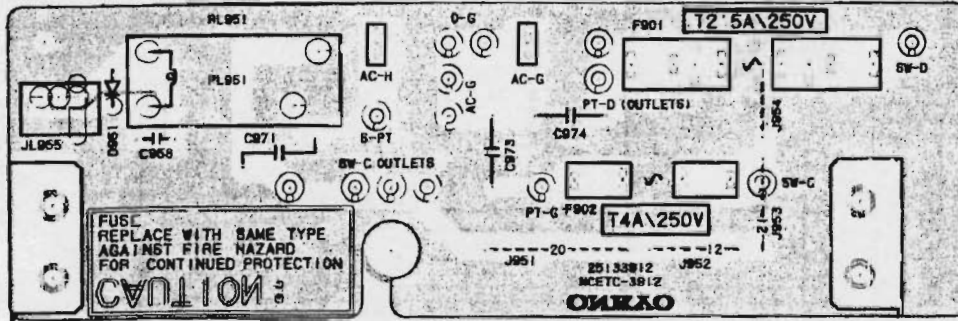
NAAF-3906



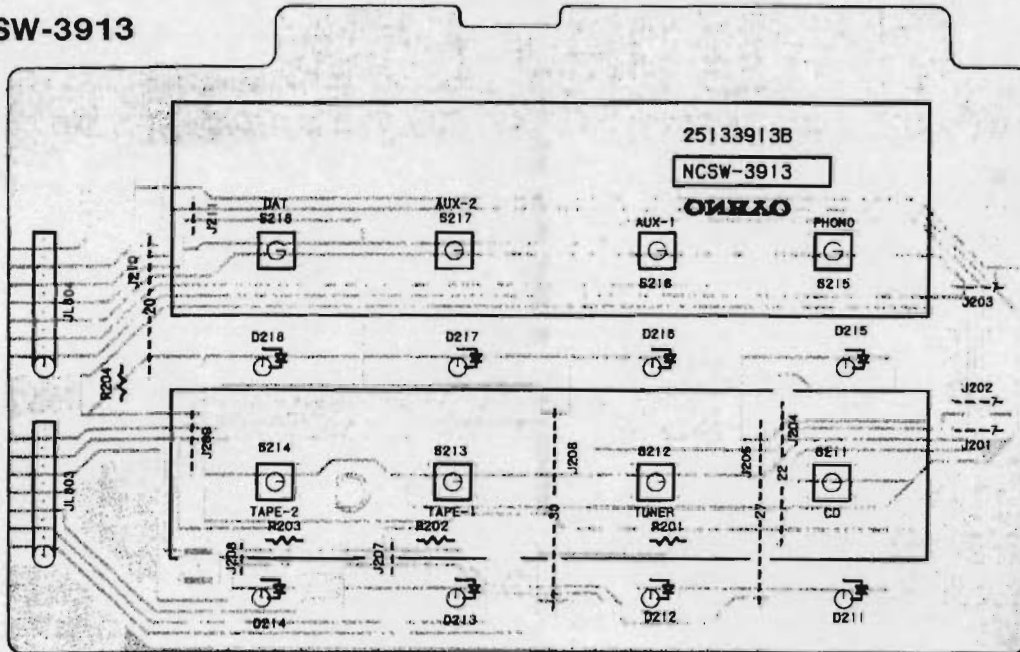
NAPS-3907



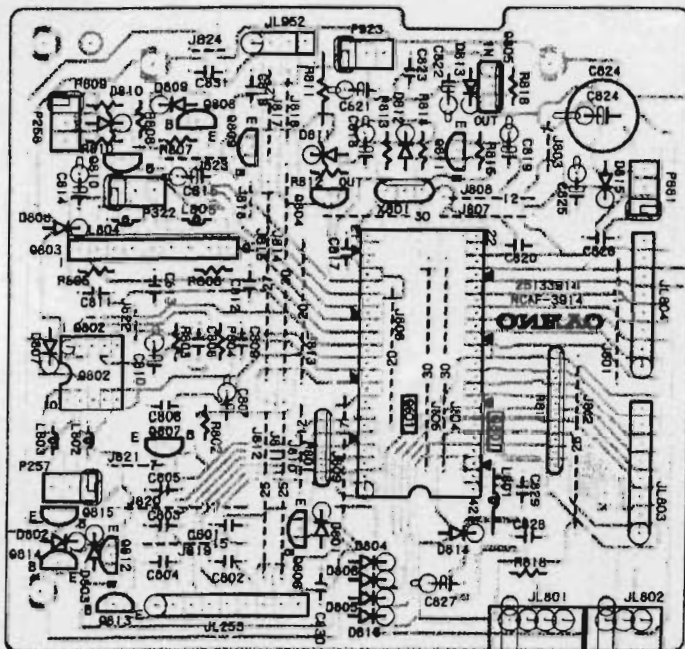
NAETC-3912



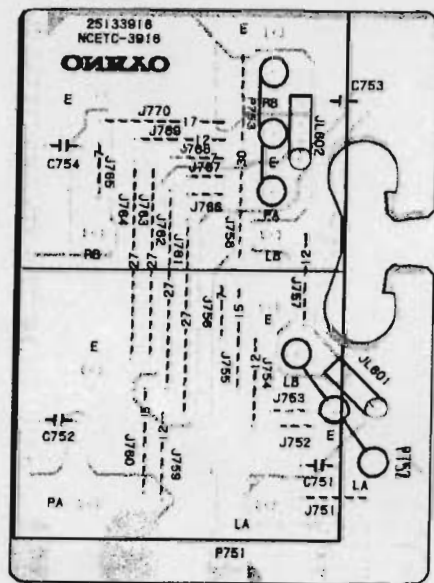
NASW-3913

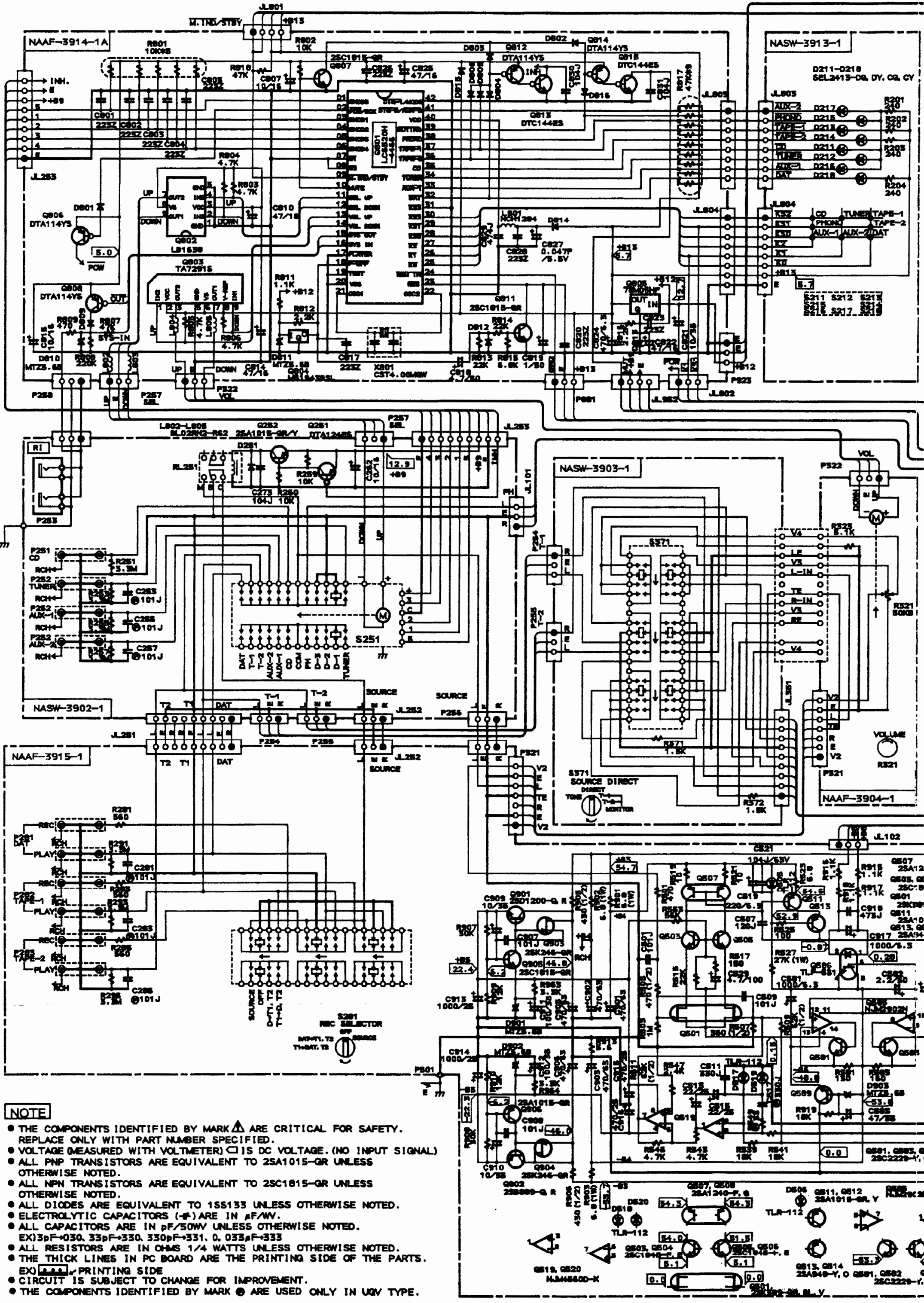


NAAF-3914

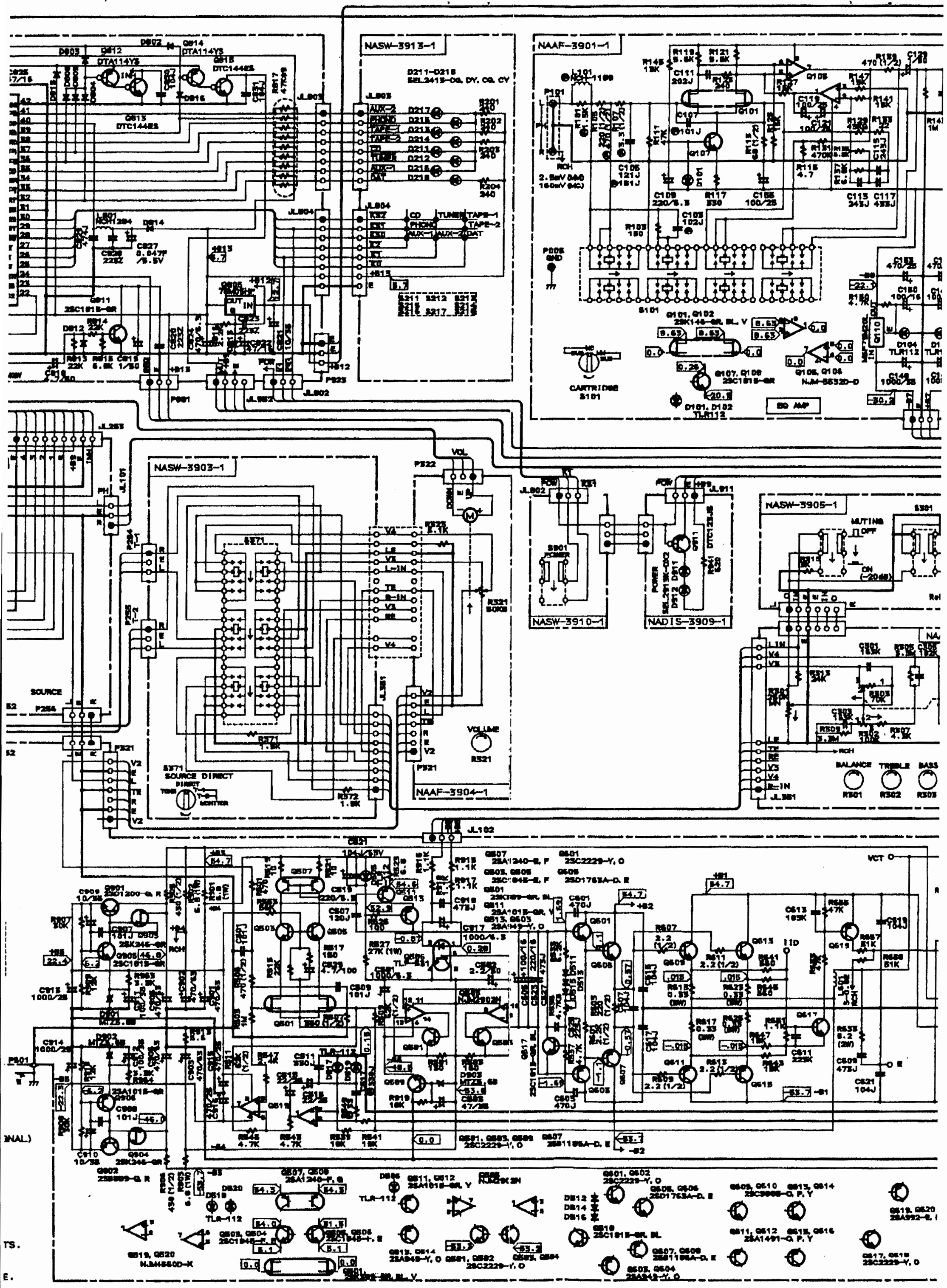


NAETC-3916





- NOTE**
- THE COMPONENTS IDENTIFIED BY MARK ▲ ARE CRITICAL FOR SAFETY. REPLACE ONLY WITH PART NUMBER SPECIFIED.
 - VOLTAGE (MEASURED WITH VOLTMETER) □ IS DC VOLTAGE. (NO INPUT SIGNAL)
 - ALL PNP TRANSISTORS ARE EQUIVALENT TO 2SA1015-GR UNLESS OTHERWISE NOTED.
 - ALL NPN TRANSISTORS ARE EQUIVALENT TO 2SC1815-GR UNLESS OTHERWISE NOTED.
 - ALL DIODES ARE EQUIVALENT TO 1SS133 UNLESS OTHERWISE NOTED.
 - ELECTROLYTIC CAPACITORS (⊖) ARE IN μF/WV.
 - ALL CAPACITORS ARE IN pF/50WV UNLESS OTHERWISE NOTED. EX) 33pF→030, 330pF→330, 330pF→331, 0.033μF→333
 - ALL RESISTORS ARE IN OHMS 1/4 WATTS UNLESS OTHERWISE NOTED.
 - THE THICK LINES IN PC BOARD ARE THE PRINTING SIDE OF THE PARTS. EX) [Symbol] PRINTING SIDE
 - CIRCUIT IS SUBJECT TO CHANGE FOR IMPROVEMENT.
 - THE COMPONENTS IDENTIFIED BY MARK ⊙ ARE USED ONLY IN UQV TYPE.



NASW-3913-1

NAAF-3901-1

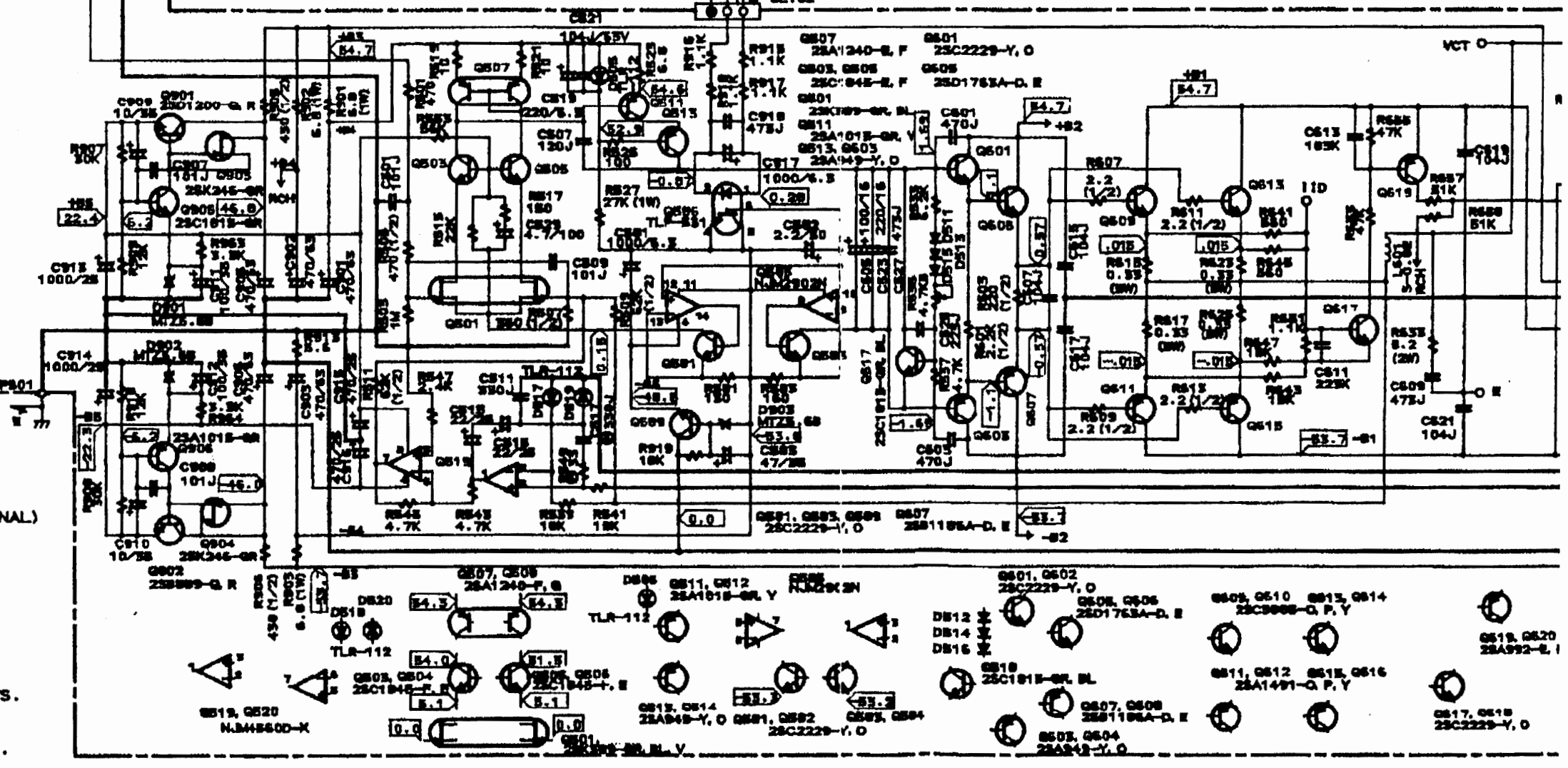
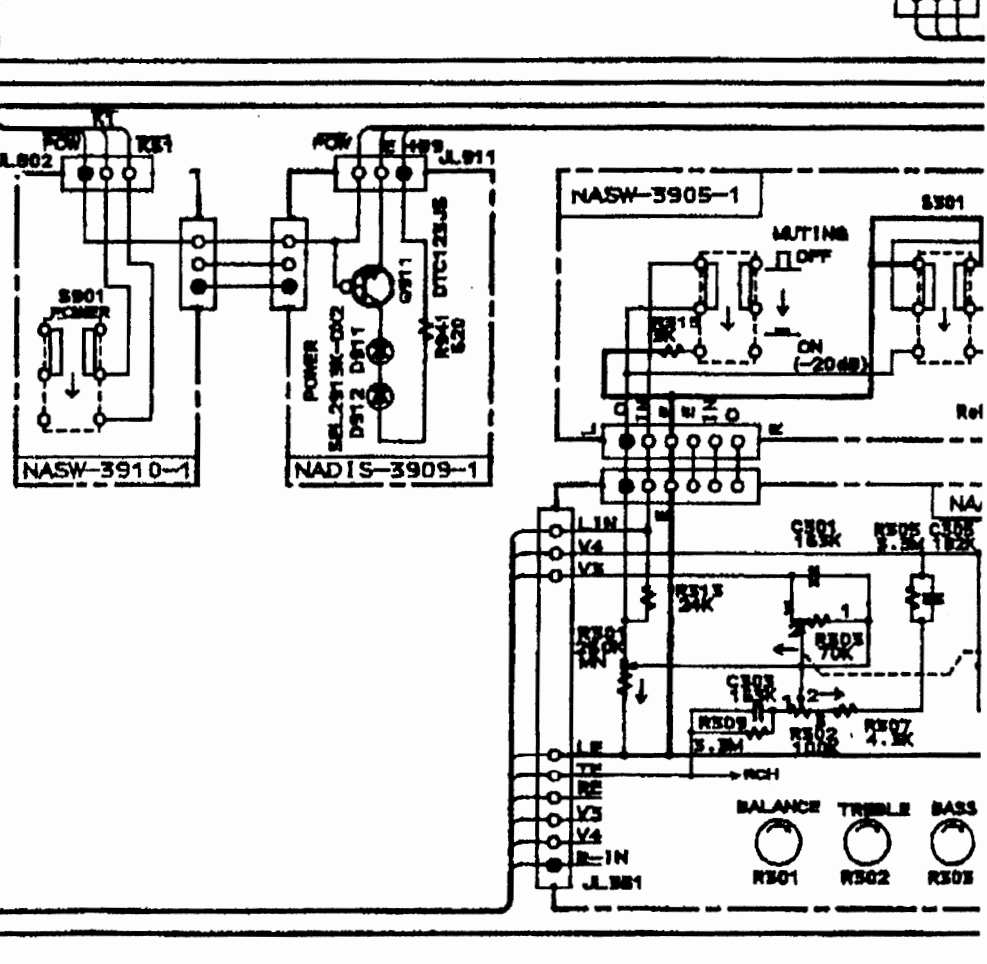
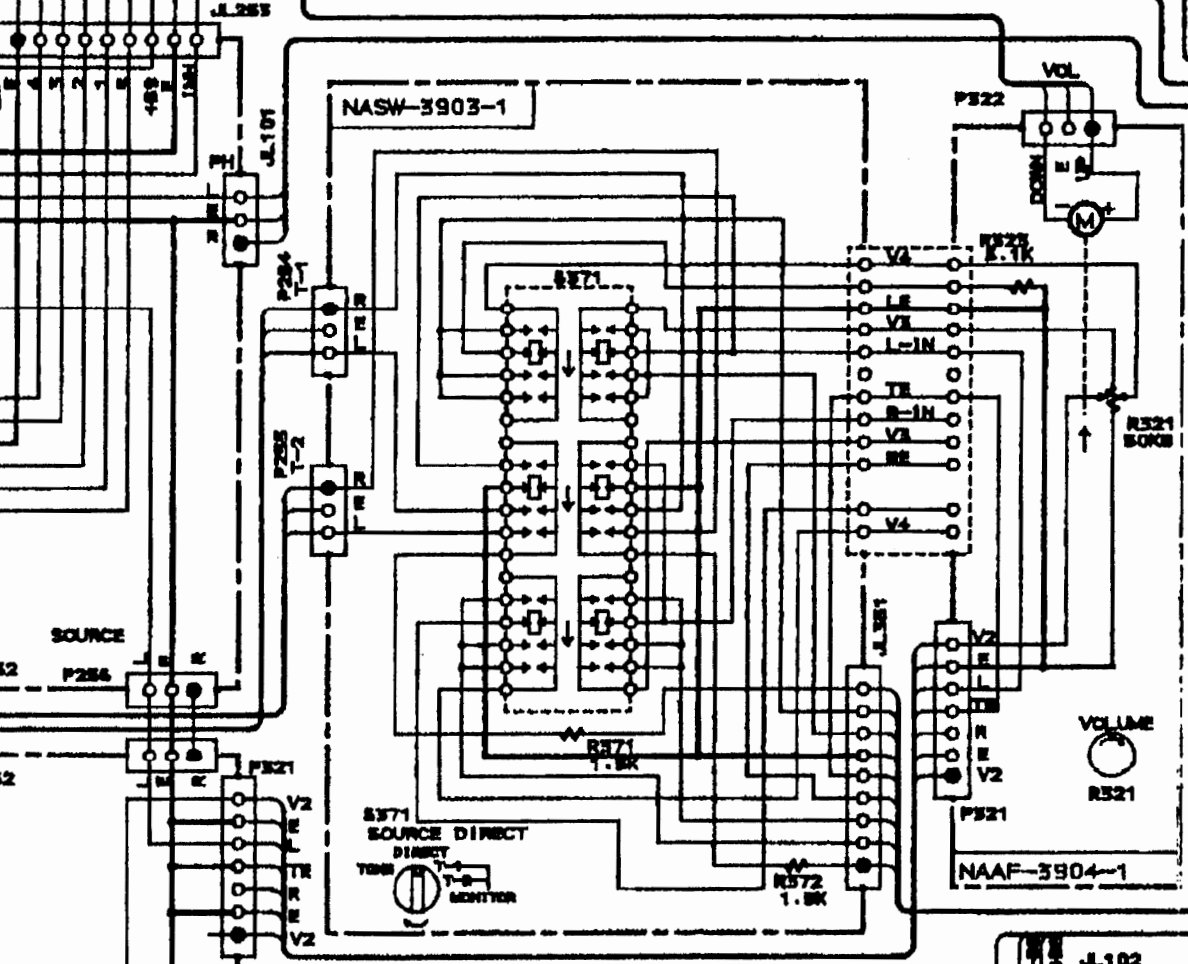
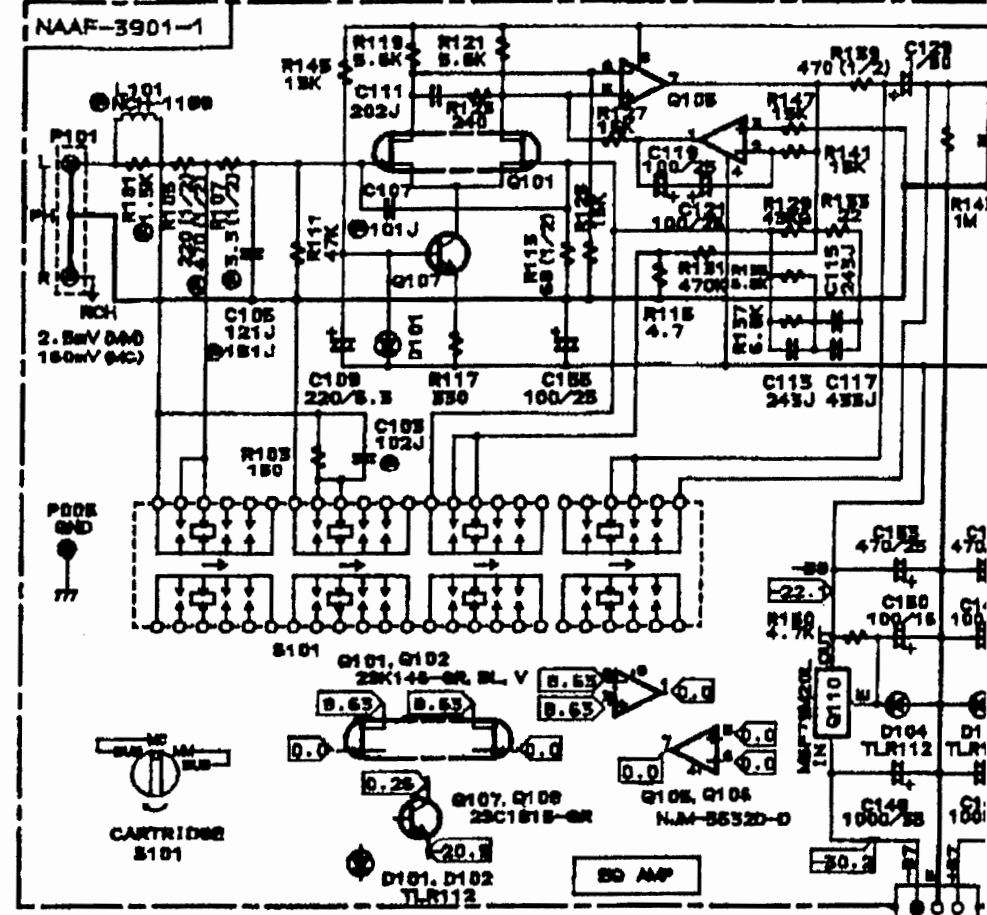
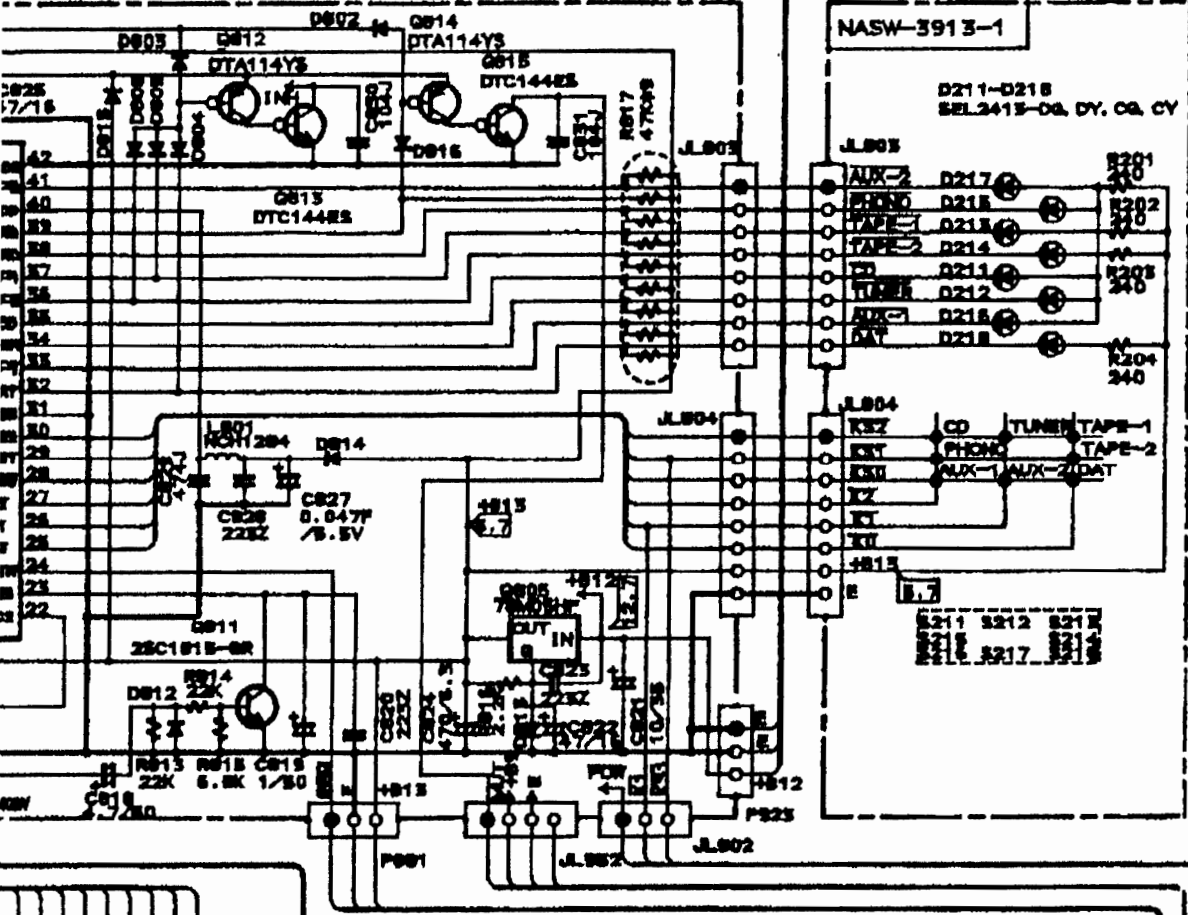
NASW-3903-1

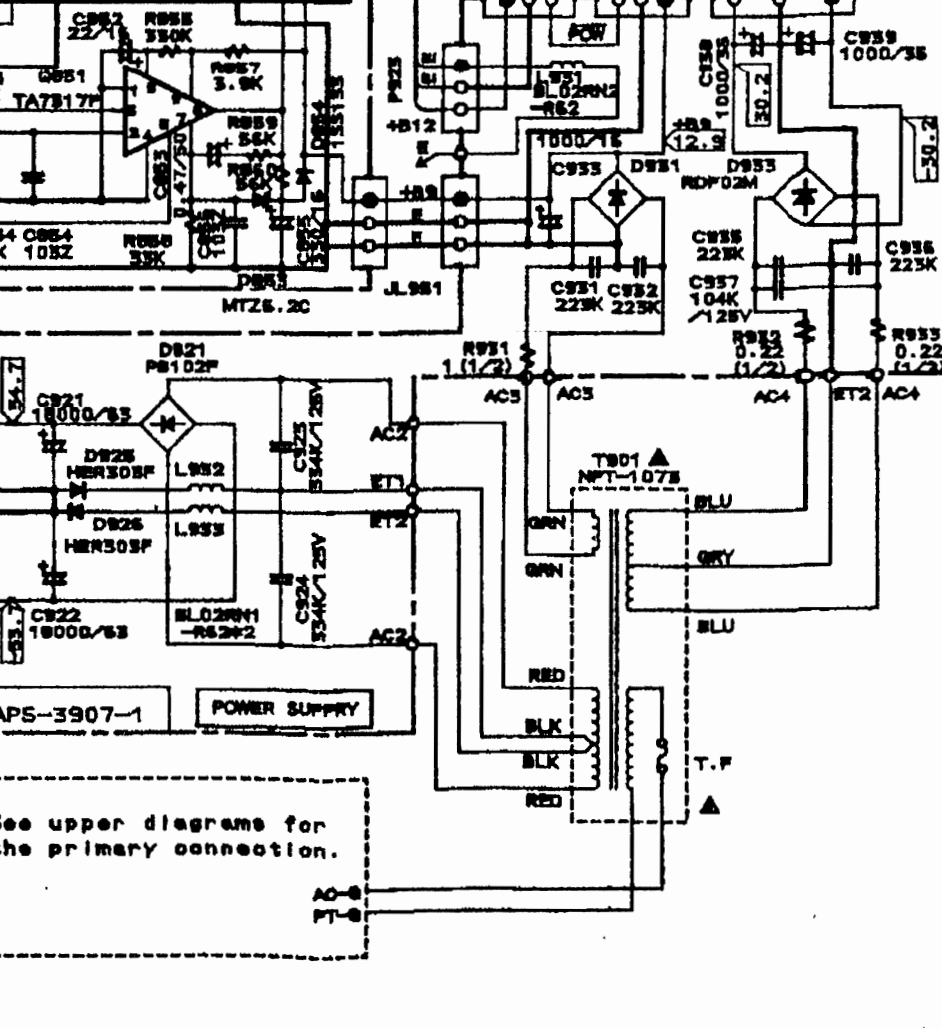
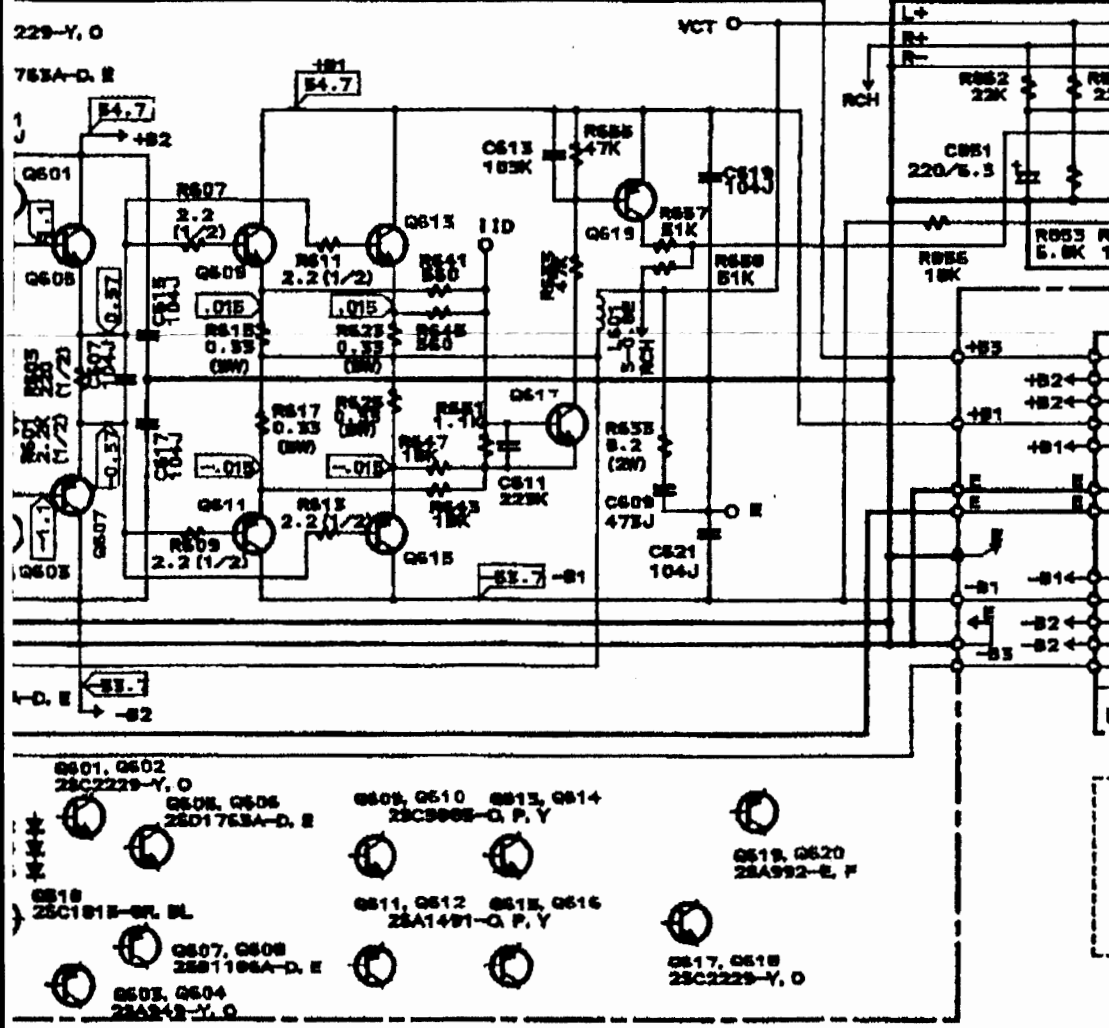
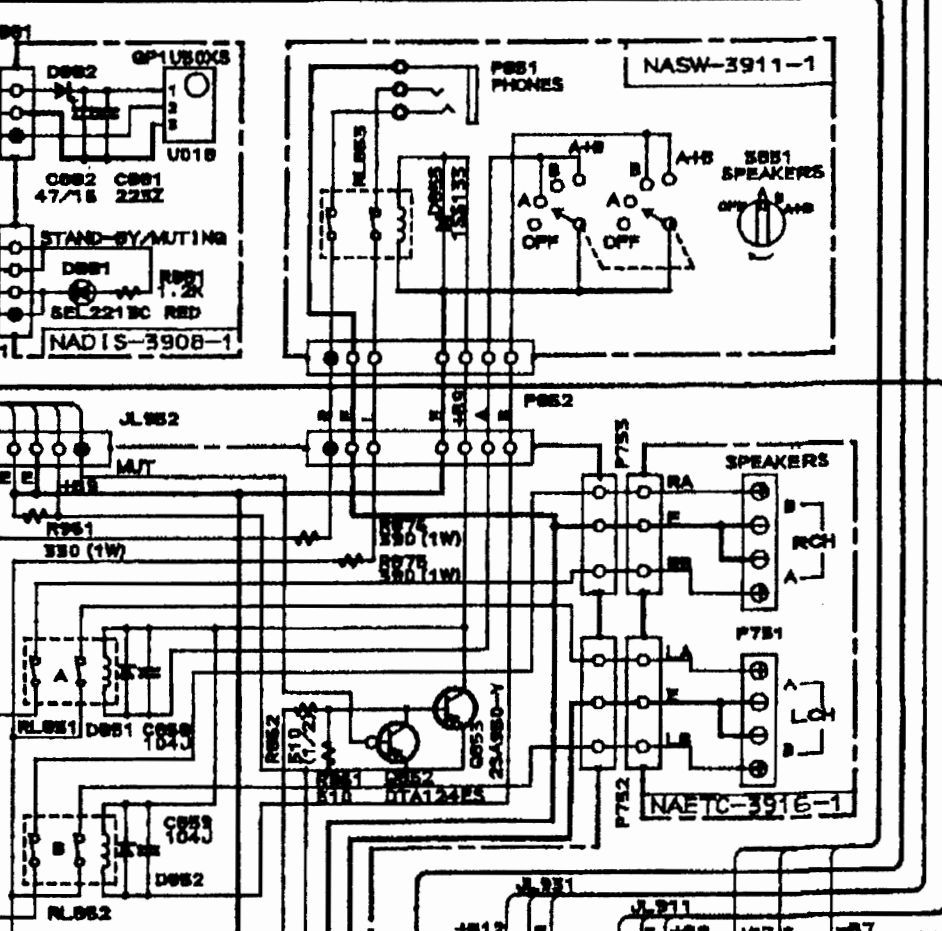
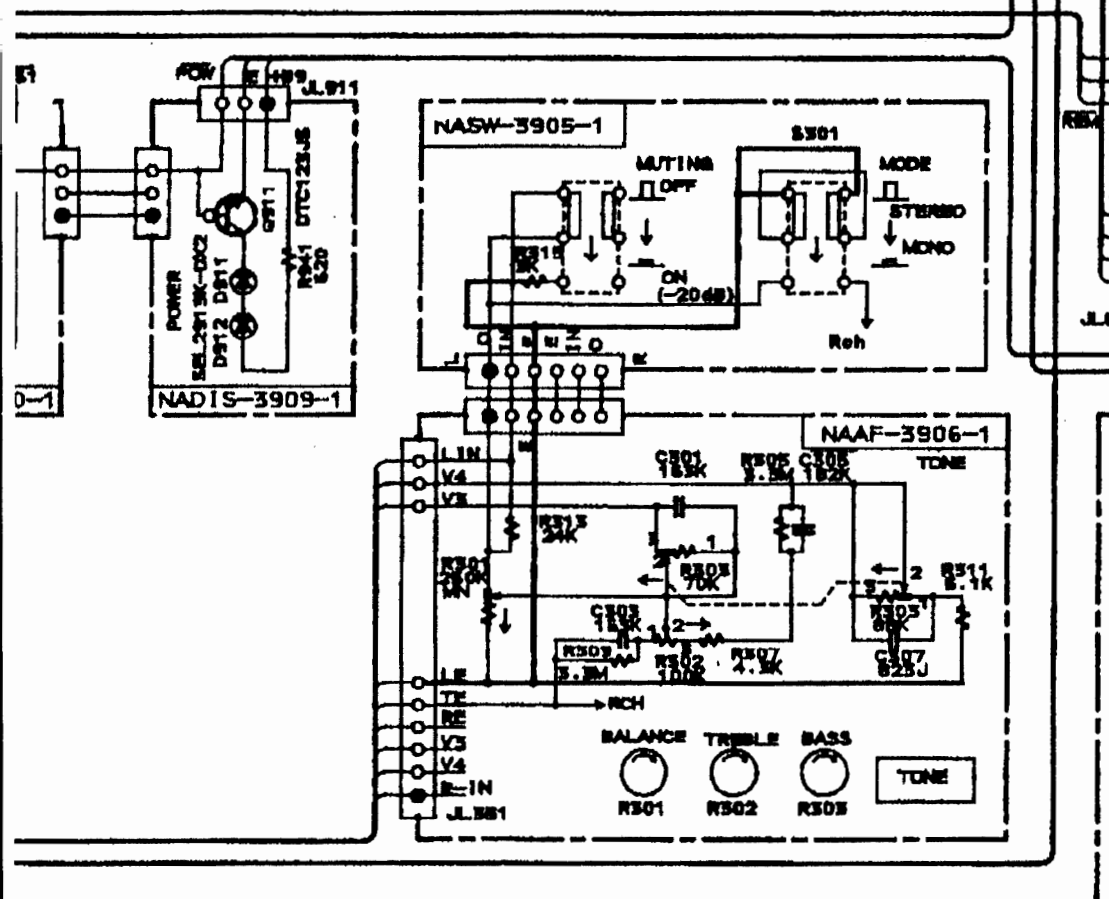
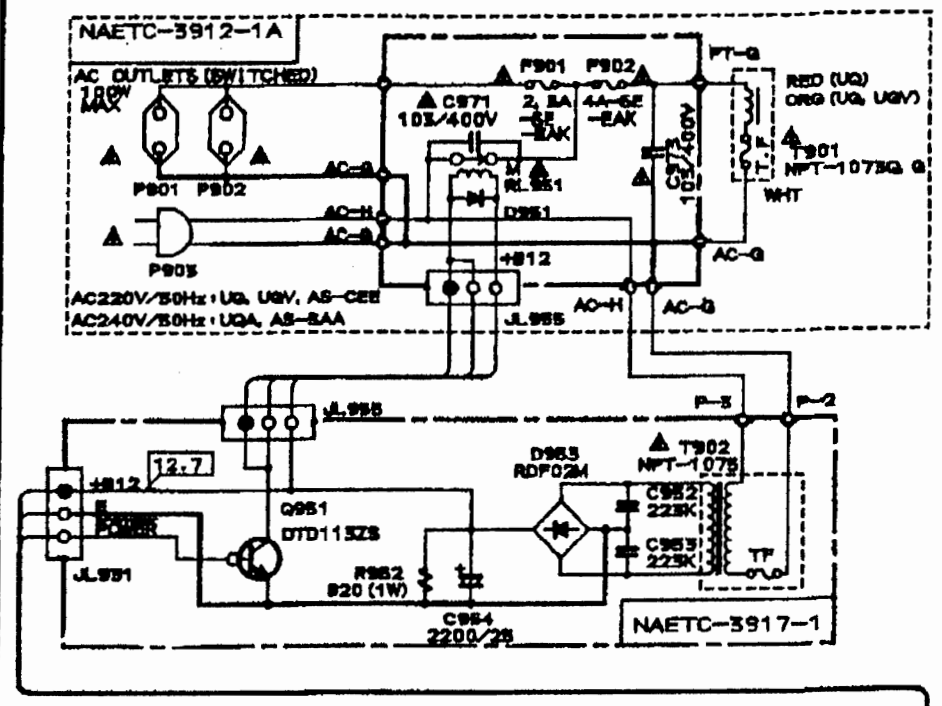
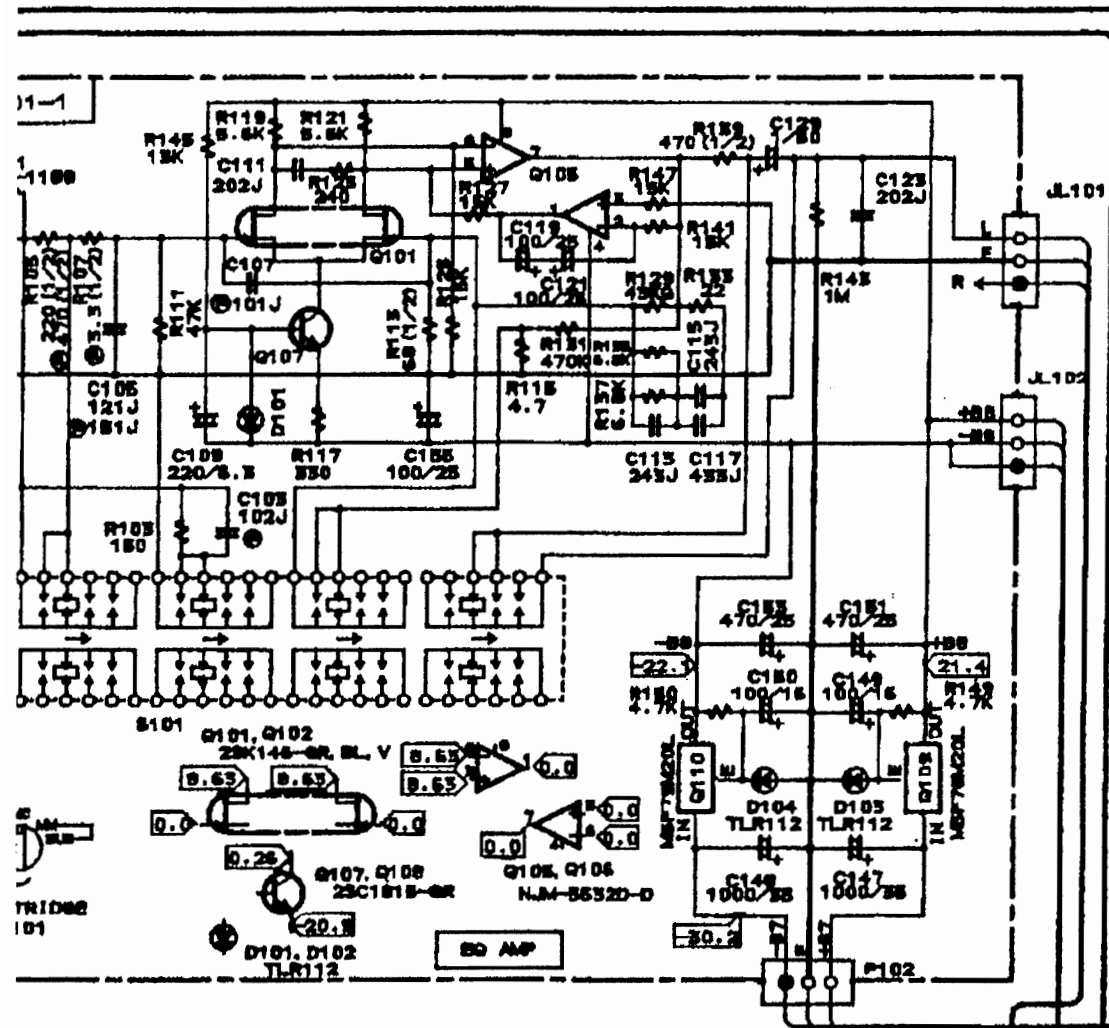
NASW-3910-1

NADIS-3909-1

NASW-3905-1

NAAF-3904-1





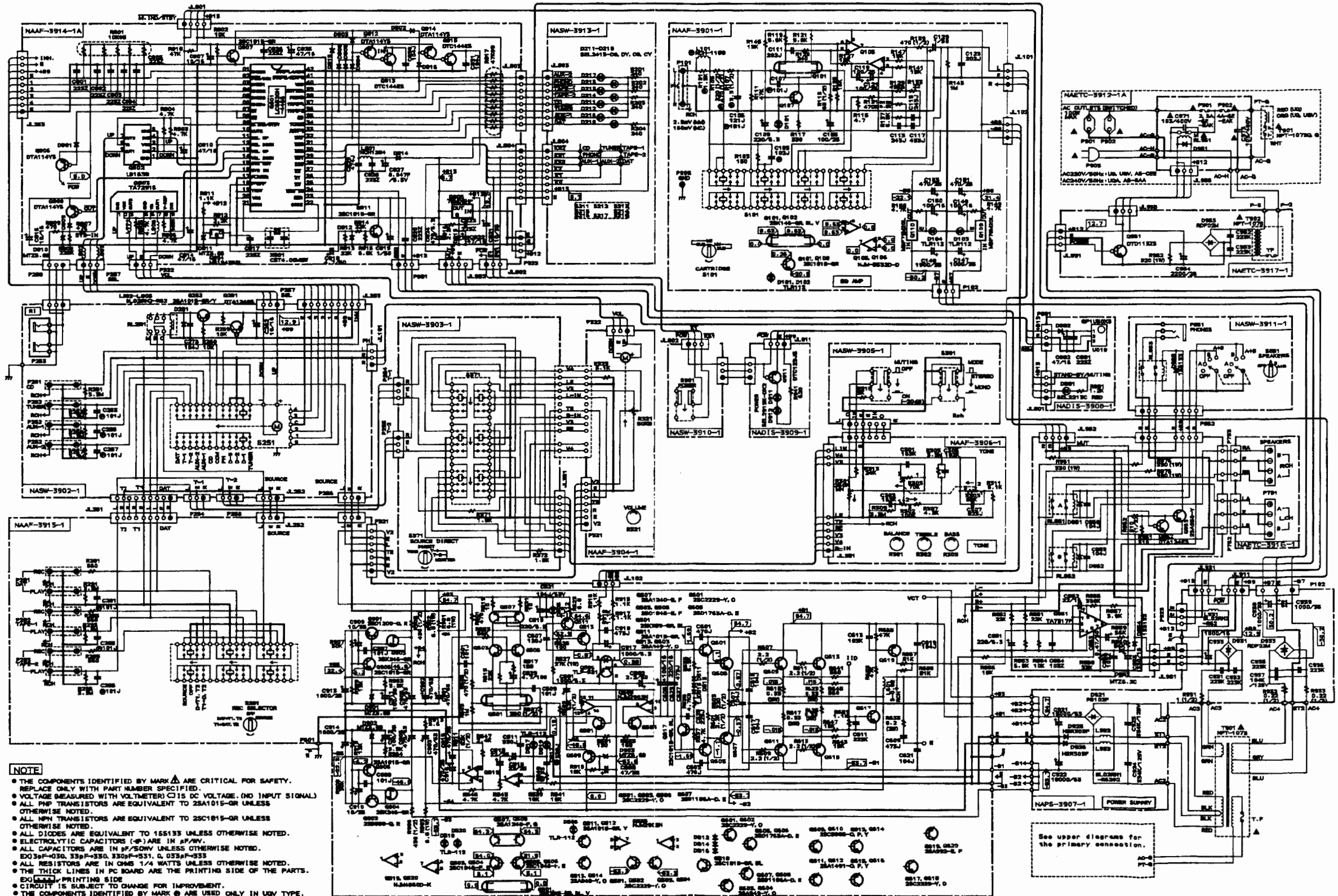
- Q601, Q602 25C2229-Y, O
- Q603, Q604 25D1763A-D, E
- Q605, Q606 25D1763A-D, E
- Q607, Q608 25B1108A-D, E
- Q609, Q610 25C3005-O, P, Y
- Q611, Q612 25A1491-O, P, Y
- Q613, Q614 25C3005-O, P, Y
- Q615, Q616 25A1491-O, P, Y
- Q617, Q618 25C2229-Y, O
- Q619, Q620 25A992-E, F

See upper diagrams for the primary connection.

A B C D E F G

SCHEMATIC DIAGRAM MODEL A-8780

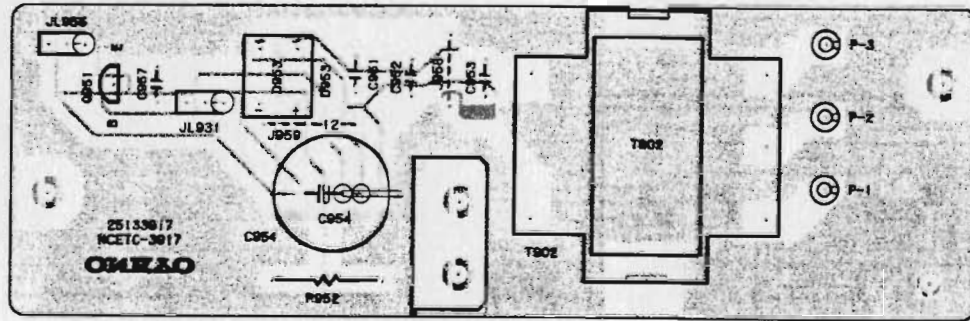
1
2
3
4
5



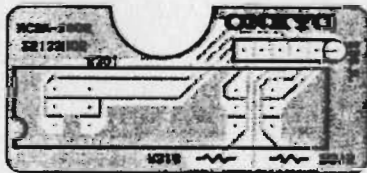
NOTE

- THE COMPONENTS IDENTIFIED BY MARK Δ ARE CRITICAL FOR SAFETY. REPLACE ONLY WITH PART NUMBER SPECIFIED.
- VOLTAGE MEASURED WITH VOLTMETER \square IS DC VOLTAGE. (NO INPUT SIGNAL)
- ALL PNP TRANSISTORS ARE EQUIVALENT TO 2SA1015-GR UNLESS OTHERWISE NOTED.
- ALL NPN TRANSISTORS ARE EQUIVALENT TO 2SC1815-GR UNLESS OTHERWISE NOTED.
- ALL DIODES ARE EQUIVALENT TO 155133 UNLESS OTHERWISE NOTED.
- ELECTROLYTIC CAPACITORS (Φ) ARE IN μ F/50V.
- ALL CAPACITORS ARE IN pF/500V UNLESS OTHERWISE NOTED.
- $EO3pF=030$, $33pF=330$, $330pF=331$, $0.033pF=333$
- ALL RESISTORS ARE IN OHMS 1/4 WATTS UNLESS OTHERWISE NOTED.
- EXCEPT PRINTING SIDE
- CIRCUIT IS SUBJECT TO CHANGE FOR IMPROVEMENT.
- THE COMPONENTS IDENTIFIED BY MARK \odot ARE USED ONLY IN UCV TYPE.

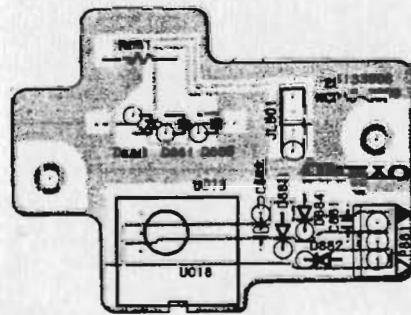
NAETC-3917



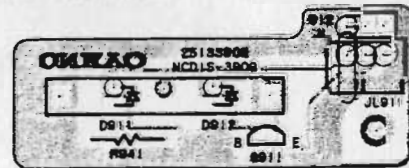
NASW-3905



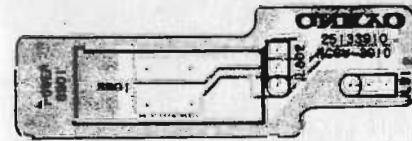
NADIS-3908



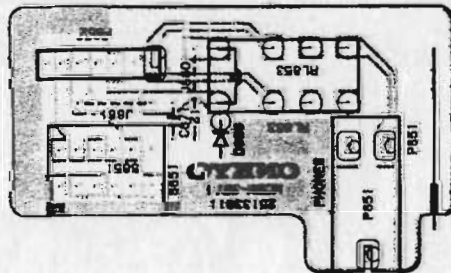
NADIS-3909



NASW-3910



NASW-3911

**ONKYO CORPORATION**

International Division: Onarimon Yusen Bldg., 23-5, Nishi-Shimbashi 3-chome, Minato-ku,
 TOKYO 105, JAPAN Tel: 03-432-6967 Fax: 03-436-6979
ONKYO DEUTSCHLAND GMBH ELECTRONICS
 Industriestrasse 20, 8034 Germering, WEST GERMANY
 Tel: 089 84 93 20 Fax: 089 84 93 226 TLX: 05-21726 ONKY D

N008 Printed in Japan