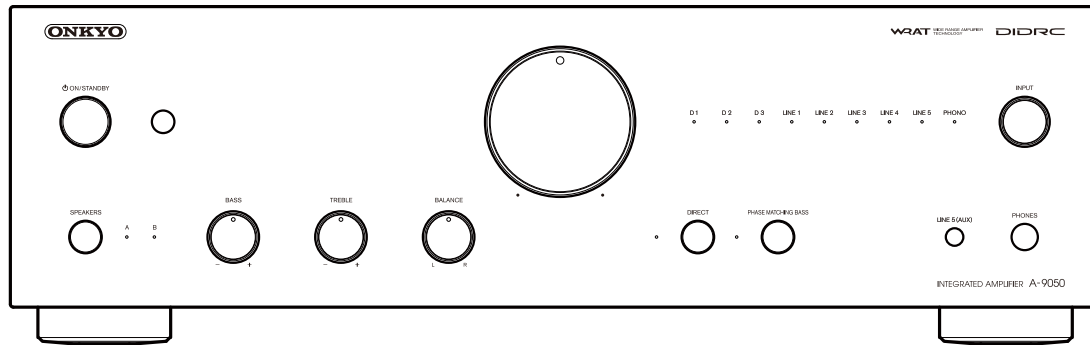


ONKYO® SERVICE MANUAL

Integrated Amplifier MODEL A-9050(B)/(S)

WRAT WIDE RANGE AMPLIFIER
TECHNOLOGY


DIDRC

192kHz
24bit

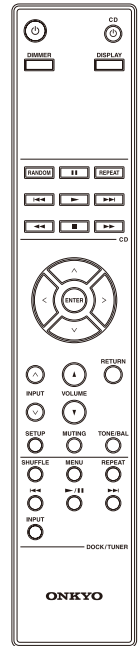
Black and Silver models

B MDC	120V AC, 60Hz
B MPP	230V AC, 50Hz
S MPP	230V AC, 50Hz

SAFETY-RELATED COMPONENT WARNING!!

COMPONENTS IDENTIFIED BY MARK  ON THE SCHEMATIC DIAGRAM AND IN THE PARTS LIST ARE CRITICAL FOR RISK OF FIRE AND ELECTRIC SHOCK. REPLACE THESE COMPONENTS WITH ONKYO PARTS WHOSE PART NUMBERS APPEAR AS SHOWN IN THIS MANUAL.

MAKE LEAKAGE-CURRENT OR RESISTANCE MEASUREMENTS TO DETERMINE THAT EXPOSED PARTS ARE ACCEPTABLY INSULATED FROM THE SUPPLY CIRCUIT BEFORE RETURNING THE APPLIANCE TO THE CUSTOMER.



RC-830S

Onkyo Corporation
Service Department

Service Procedure

1. Setting for shipping
 - 1-1. Initialization of memories

[A-9050, A-9030]
Push PURE DIRECT button and Standby at same time.
 - 1-2. Initial setting

[A-9050, A-9030]
SELECTOR
SPEAKERS
BASS
TREBLE
BALANCE
VOLUME
PURE DIRECT
RI MODE
4ohm/8ohm
Auto Standby

[M-5010, ADM-20.4]
Input Level
12Vtrg or Audio
4ohm/8ohm
Auto Standby

1. 出荷ポジション
 - 1-1. イニシャライズの方法

【A-9050, A-9030】
PURE DIRECTボタンとStandbyボタンを同時に押す
 - 1-2. 出荷ポジション

【A-9050, A-9030】
SELECTOR
SPEAKERS
BASS
TREBLE
BALANCE
VOLUME
PURE DIRECT
RI MODE
4Ω/8Ω
Auto Standby

【M-5010, ADM-20.4】
Input Level
12Vtrg or Audio
4Ω/8Ω

Operation Check - 1

- 1-1. Confirm Relay operation
- Confirm that the relay of SP A and the relay of SP B operate normally respectively by SPEAKER A/B TRIM.
 - It is confirmed that the relay cuts at once if becoming POWER OFF.
 - Confirm no-sound from SWpreOUT when you insert HP JACK. (A-9050 / A-9030 ONLY)
 - Confirm relay operation, when 4ohm-8ohm switch is change to the other position.
- 1-2. Confirm of remote controll operations.(A-9050, A-9030 ONLY)
- Confirm that specified operations for each button are made.
 - Confirm the RI operation.
 - Confirm the change of RI mode to swith S7901-S7903 (A-9050 ONLY)
- 1-3. Confirm of Audio Sense operations.(M-5010, ADM-20.4 ONLY)
- TRIGGER switch is AUDIO at the condition of no input, and it turns off power.
 - Confirm that it dosen't become the POWER ON ,if "-65dBV, 1KHz" inputs.
 - Confirm that it becomes the POWER ON ,if "-45dBV, 1KHz" inputs.
- 1-4. Confirm of 12V trigger operations.(M-5010, ADM-20.4 ONLY)
- TRIGGER switch is 12Vtrg at the condition of no input, and it turns off power.
Confirm it become the POWER ON if 12V trigger is input.
 - Confirm 12VTRG is output when the POWER ON.

- 1-1. リレーの動作確認
- SPA、Bの切替が正常に動作しているか確認する。
 - POWER OFFになれば直ちにSPリレーが切れることを確認する。
 - HPをいれるとSWpreOUTから音が出ないことを確認する。(A-9050/A-9030 ONLY)
 - 4Ω、8Ωスイッチを切り替えるとリレーが動作することを確認する。
- 1-2. リモコンの動作確認 (A-9050, A-9030 ONLY)
- 各キーで所定の動作が行われることを確認する。
 - RI動作を確認する。
 - S7901～S7903を切り替えてRIモードが変わるか確認する。(A-9050 ONLY)
- 1-3. Audio Senseの動作確認 (M-5010, ADM-20.4 ONLY)
- TRIGGERスイッチをAUDIOにし、無信号の状態ですットの電源を切る
 - 65dBV、1kHzの入力では電源がONしないことを確認する。
 - 45dBV、1kHzが状態で入力されると電源がONすることを確認する。
- 1-4. 12Vトリガーの動作確認 (M-5010, ADM-20.4 ONLY)
- TRIGGERスイッチを12Vtrgにし、12Vトリガーが入力されると電源が入ることを確認する。
 - 電源が入ると12Vトリガーが出力されていることを確認する。

Operation Check - 2

2-1. Voltage protection

- a. The unit receives the remote control signal, it goes into the test mode 1-02.
- b. The speaker relay become OFF immediately after "D.C. 1.5V inputs" to CD SELECTOR to check L and R.
The same as above when "D.C. -1.5V" inputs at each place.

NOTE 1: Limit time to apply voltage is 0.5-1.0 seconds each channel.
When protection operation does not occur at once, try several times.

NOTE 2: Don't connect load nor short speaker terminals.

- * When you check this protection, you must use the test mode 1-02.

2-2. Current protection

- a. The unit receives the remote control signal, it goes into the test mode 1-02.
- b. The relay shall be ON when 2 ohm load is connected to each channel under the conditions of Peak-to-zero 20V output for L,R channels and no load by using the INTEGRA amplifier series Designated circuit with 50Hz square wave.
- c. The relay shall be OFF when 0.5 ohm load is connected to each channel under the conditions of Peak-to-zero 20V output for L,R channels and no load by using the INTEGRA amplifier series Designated circuit with 50Hz square wave.

- * When you check this protection, you must use the test mode 1-02.

2-1. 電圧プロテクト

- a. リモコン信号を受信し、テストモード1-02の状態する。
- b. +1.5Vを印加すると直ちにスピーカーリレーがOFFになることを確認する。
-1.5Vの場合も同様になることを確認する。

NOTE 1: 電圧印加は各ch共に0.5~1.0秒とし、1回でプロテクト動作しないときは数回電圧印加すること。

NOTE 2: 負荷を接続したりショートしたりしないこと。

- * プロテクト動作を確認する際はテストモード1-02を使用すること

2-2. 電流プロテクト

- a. リモコン信号を受信し、テストモード1-02の状態する。
- b. 無負荷で50Hzの方形波をインテグラシリーズの指定回路を通して1chずつ信号を入力し、L,R chに20Vのピーク値を出力した状態で、2Ωの負荷を接続してもリレーが切れないこと。
- c. 無負荷で50Hzの方形波をインテグラシリーズの指定回路を通して1chずつ信号を入力し、L,R chに20Vのピーク値を出力した状態で、0.5Ωの負荷を接続するとリレーが切れること。

- * プロテクト動作を確認する際はテストモード1-02を使用すること

Operation Check - 3

動作テストモード

TEST MODE FOR OPERATION

- a. VolumeをMAXにし、PMBassキーを押しながらSTANDBY/ONキーを押すと、テストモードに入る。
Set volume MAX, and push STANDBY/ON button while pushing down PHASE MATCHING BASS, then it will enter the test mode.
- b. Table1に従ってキーを押すことによって、各テストモードに入ることができます。
You can enter the each test mode by pushing the key to show on the Table1.
- c. INPUTノブを回すことによって、テストステップをUP/DOWNすることができます。
You can change the Test Step by turning the input knob.
- d. また、Table2に示すコードを受信すると、直接テストモードに入ったり、ステップNo. を変えたりすることが出来る。
The unit receives the remote control signals indicated in Table2, the set will be the test mode or be changed the step No.
- e. また、1-02と1-03のテストモードは以下の手順で入ることが出来る。
You can enter the 1-02 and 1-03 test mode as below.
 - 1-02: At first, enter the test mode and then push PURE DIRECT button.
 - 1-03: At first, enter the test mode and then push SPEAKERS button.

TEST No	Function	Analog Input	Speaker	Volume	Balance	Bass	Treble	Direct	PMBass	AMUTE	ETC
1-00	All LED light up.	LINE1	SPEAKER A	0dB	CENTER	0dB	0dB	ON	OFF	OFF	*1
1-01	Thermal test mode.	LINE1	SPEAKER A	0dB	CENTER	0dB	0dB	ON	OFF	OFF	*2
1-02	Protect test mode.	LINE1	SPEAKER A	0dB	CENTER	0dB	0dB	ON	OFF	OFF	*3
1-03	Idling timer mode.	LINE1	SPEAKER A	0dB	CENTER	0dB	0dB	ON	OFF	OFF	*4
2-00	Direct Volume Max.	LINE1	SPEAKER A	MAX	CENTER	0dB	0dB	ON	OFF	OFF	
2-01	Direct Volume Min.	LINE1	SPEAKER A	MIN	CENTER	0dB	0dB	ON	OFF	OFF	
2-02	Tone Volume Max.	LINE1	SPEAKER A	MAX	CENTER	0dB	0dB	OFF	OFF	OFF	
2-03	Tone Balance Rmax.	LINE1	SPEAKER A	MAX	RMAX	0dB	0dB	OFF	OFF	OFF	
2-04	Tone Balance Lmax.	LINE1	SPEAKER A	MAX	LMAX	0dB	0dB	OFF	OFF	OFF	
2-05	Tone Bass Max.	LINE1	SPEAKER A	MAX	CENTER	MAX	0dB	OFF	OFF	OFF	
2-06	Tone Bass Min.	LINE1	SPEAKER A	MAX	CENTER	MIN	0dB	OFF	OFF	OFF	
2-07	Tone Treble Max.	LINE1	SPEAKER A	MAX	CENTER	0dB	MAX	OFF	OFF	OFF	
2-08	Tone Treble Min.	LINE1	SPEAKER A	MAX	CENTER	0dB	MIN	OFF	OFF	OFF	
2-09	Tone PMBass ON.	LINE1	SPEAKER A	MAX	CENTER	0dB	0dB	OFF	ON	OFF	
2-10	Amute ON.	LINE1	SPEAKER A	MAX	CENTER	0dB	0dB	ON	OFF	ON	
2-11	Volume -40dB.	PHONO	SPEAKER A	-40dB	CENTER	0dB	0dB	ON	OFF	OFF	
2-12	Phono Volume Max.	PHONO	SPEAKER A	MAX	CENTER	0dB	0dB	ON	OFF	OFF	
2-13	Phono Volume Min.	PHONO	SPEAKER A	MIN	CENTER	0dB	0dB	ON	OFF	OFF	
3-00	Digital3 Input Test.	D3	SPEAKER A	MIN	CENTER	0dB	0dB	ON	OFF	OFF	

- *1 全てのLEDが順番に点灯していきます。
All LED lights up in turn.
- *2 RI出力に1秒おきにAMPの温度を出力します。
It output the temperature of the amplifier in RI every one second.
- *3 プロテクトを検出した時、3秒間SPリレーを切断します。
(その他のモードの時プロテクトを検出すると、シャットダウンします)
When I detected AMP protection, I cut the SP relay for three seconds.
(I shut it down when I detect protection at time of other test modes.)
- *4 1分ごとにLEDが点灯していくタイマーモードです。
It is the timer mode which LED lights up every one minute.
- *5 テストモード中にSTANDBYボタンが押されると、設定を初期化後にスタンバイモードになります。
When STANDBY button is pushed in a test mode, it becomes a standby mode after initialization by setting.

A

B

C

D

Exploded Views - 1

1

A230
COVER

2

3

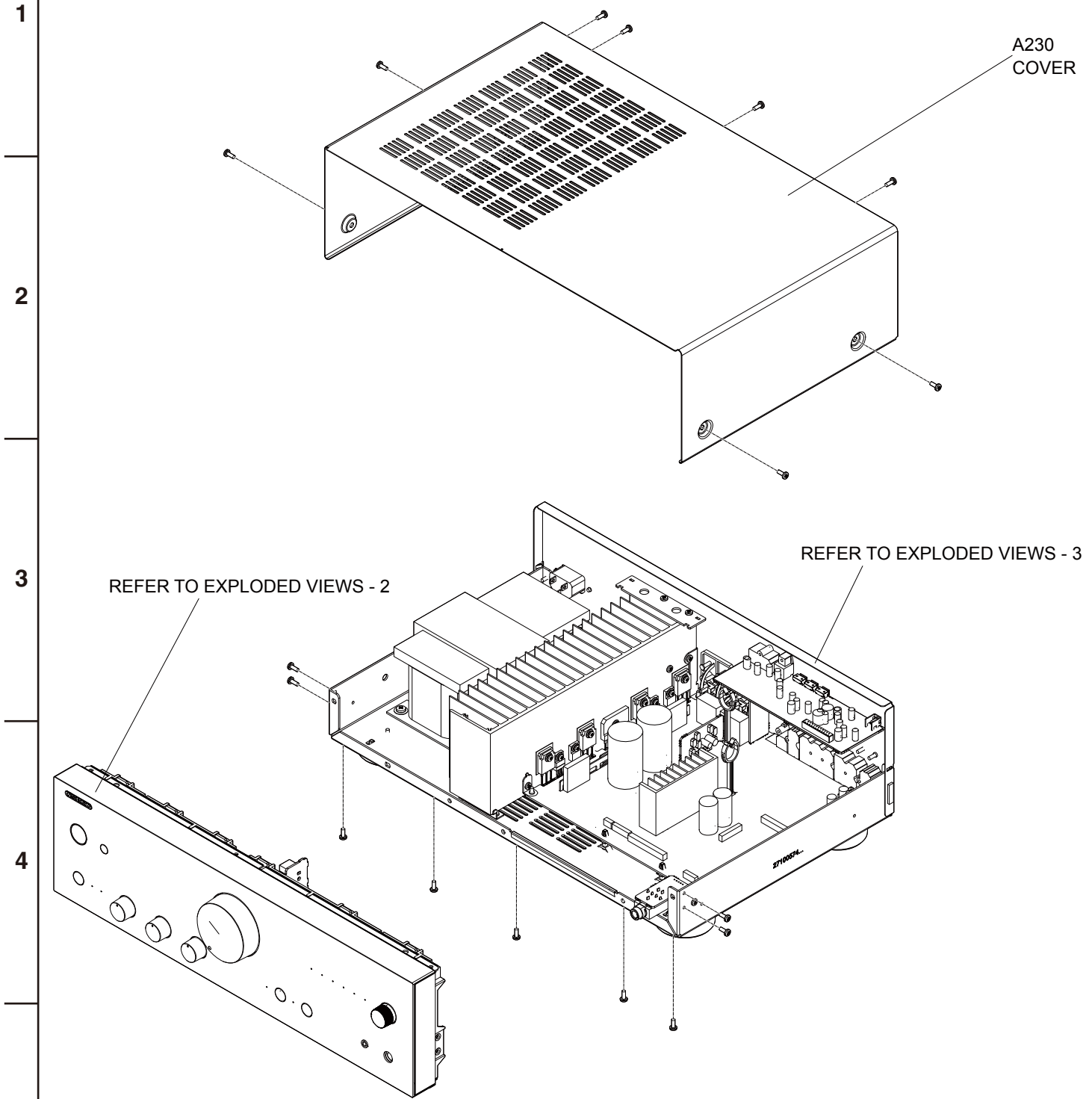
REFER TO EXPLODED VIEWS - 2

REFER TO EXPLODED VIEWS - 3

4

5

Screws:
838430088GR
3TTB+8B(3BC)



A

B

C

D

Exploded Views - 2

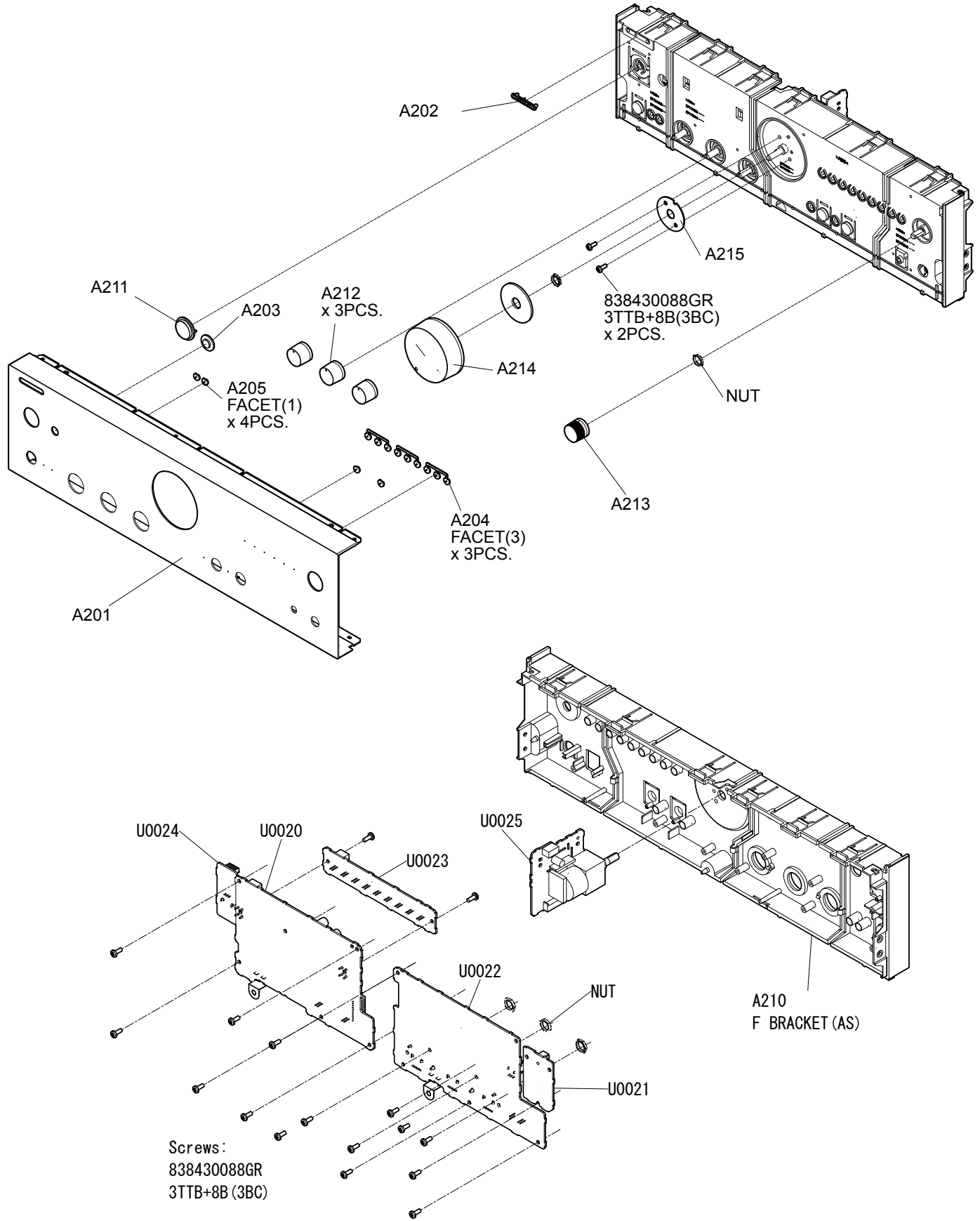
1

2

3

4

5



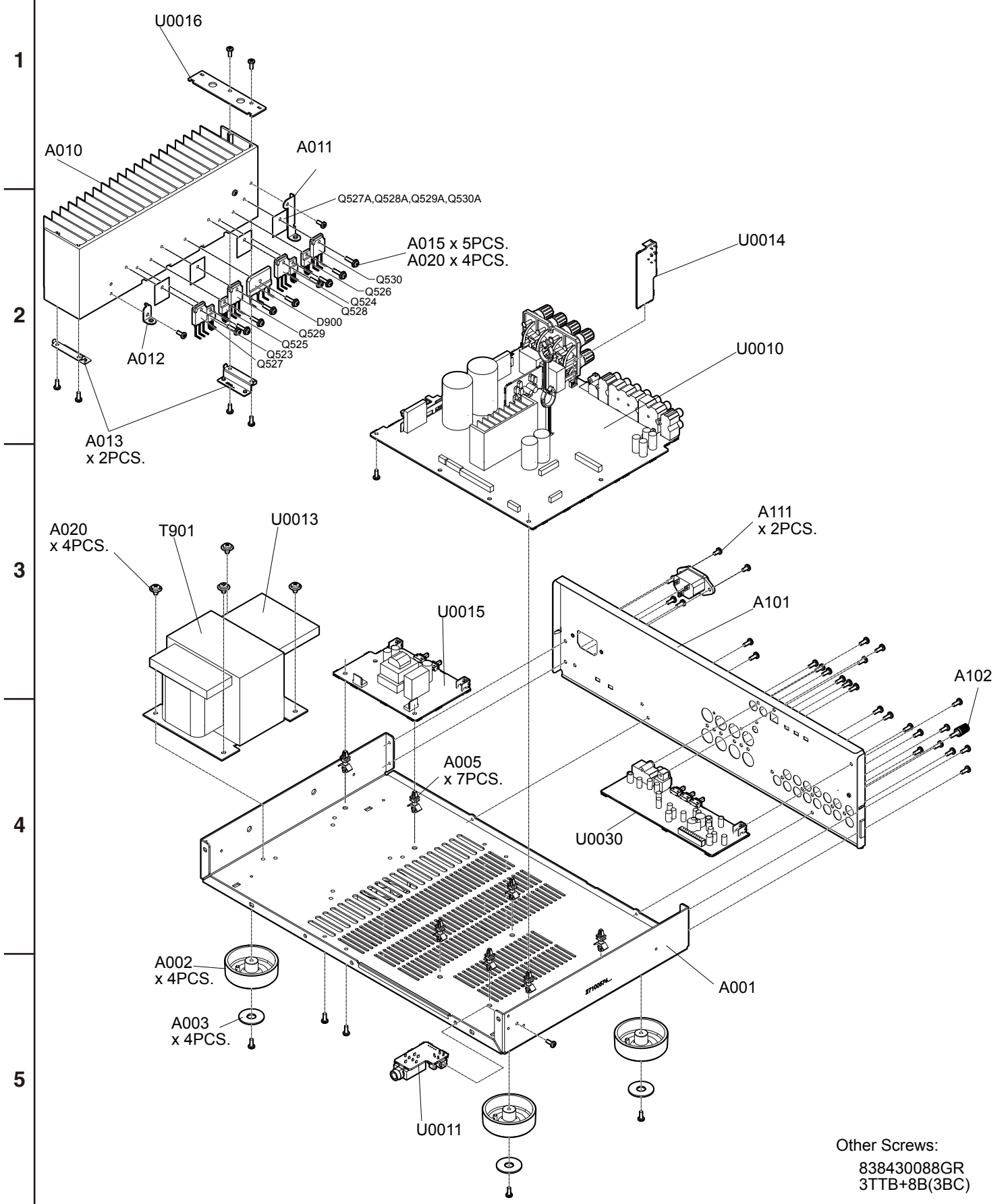
A

B

C

D

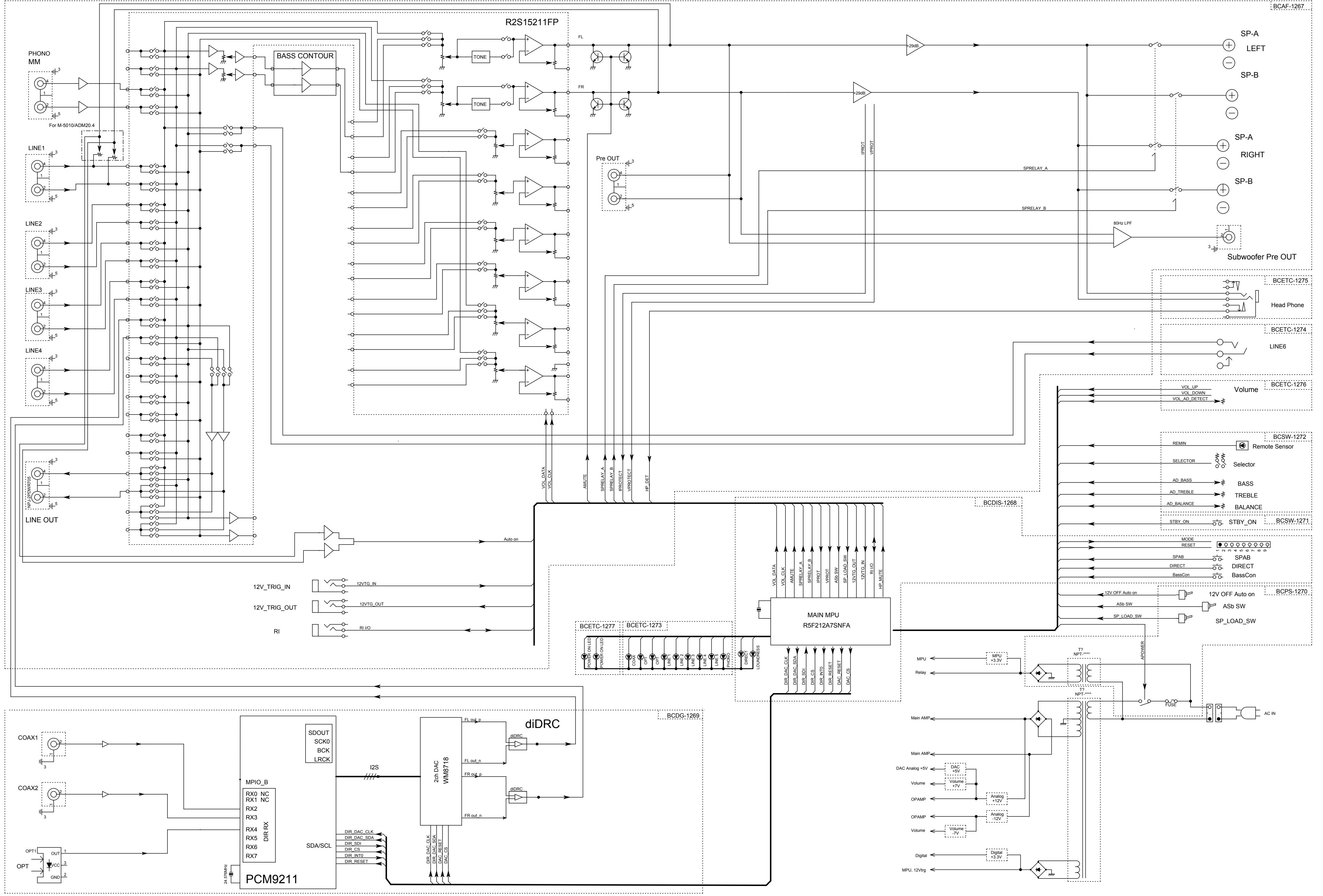
Exploded Views - 3



Other Screws:
838430088GR
3TTB+8B(3BC)

SCHEMATIC DIAGRAMS - 1
BLOCK DIAGRAM

Model No. A-9050 / A-9030 / M-5010 / ADM-20.4 SCHEMATIC DIAGRAM (PART-1) BLOCK DIAGRAM

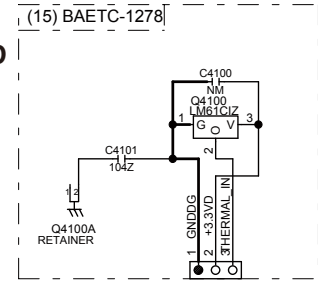


1
2
3
4
5
6
7
8

SCHEMATIC DIAGRAMS - 2
AUDIO SECTION

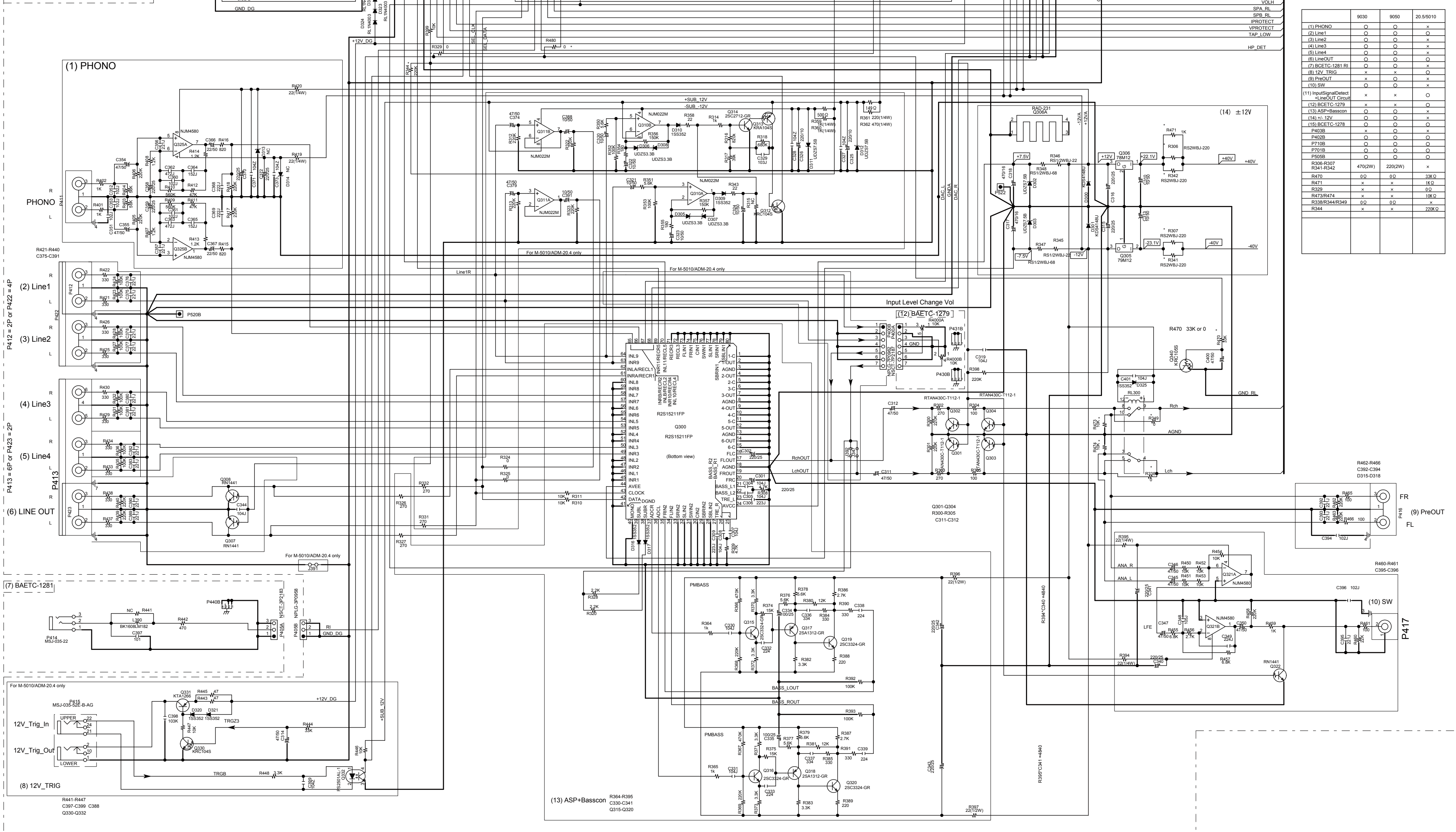
Model No. A-9050 / A-9030 / M-5010 / ADM-20.4 SCHEMATIC DIAGRAM (PART-2) ASP Section

U0012
Thermal Sensor PC BOARD



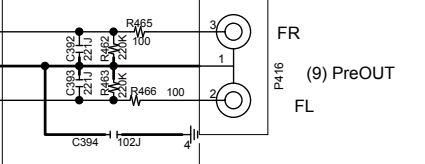
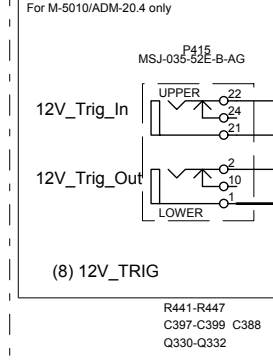
U0010
MAIN PC BOARD

BAAF-1267(1/2)



	9030	9050	20.5/50.10
(1) PHONO	O	O	x
(2) Line1	O	O	O
(3) Line2	O	O	x
(4) Line3	O	O	x
(5) Line4	O	O	x
(6) LineOUT	O	O	x
(7) BCETC-1281 RI	O	O	x
(8) 12V_TRIG	x	x	O
(9) PreOUT	x	x	O
(10) SW	O	O	x
(11) InputSignalDetect	x	x	O
(12) BCETC-1279	x	x	O
(13) ASP+Basscon	O	O	x
(14) +/- 12V	O	O	x
(15) BCETC-1278	O	O	O
P402B	x	x	O
P402B	O	O	O
P710B	O	O	O
P701B	O	O	O
P655B	O	O	O
R306-R307	4702W	2202W	x
R341-R342	0.0	0.0	33K
R470	x	x	1K
R471	x	x	1K
R329	x	x	0.0
R473-R474	x	x	10K
R338-R344/R349	0.0	0.0	220K
R344	x	x	220K

P412 = 2P or P422 = 4P
P413 = 6P or P423 = 2P



(13) ASP+Basscon
R364-R395
C330-C341
Q315-Q320

1
2
3
4
5
6
7
8

SCHEMATIC DIAGRAMS - 3 POWER AMPLIFIER SECTION

Adjustment of idling current

- a. Set the voltages at P511 and P512 to 20mV by adjusting R587 and R588, under the condition of no input and no load, immediately after POWER ON. 無負荷・無信号にてPOWER ON直後、P511~P512の両端電圧をR587~R588にて20mVに設定する。
- b. 5 minutes of heat running. 5分間ヒートランする。
- c. Re-adjust by following procedure. 下記手順で再調整する。

Below 20mV	20mV
Between 20~30mV	Leave it as it is.
Over 30mV	30mV

(A-9030 ONLY)

- a. Set the voltages at P511 and P512 to 10mV by adjusting R587 and R588, under the condition of no input and no load, immediately after POWER ON. 無負荷無信号にてPOWER ON直後、P511~P512の両端電圧をR587~R588にて10mVに設定する。
- b. 5 minutes of heat running. 5分間ヒートランする。
- c. Re-adjust by following procedure. 下記手順で再調整する。

Below 10mV	10mV
Between 10~20mV	Leave it as it is.
Over 20mV	20mV

NOTE1)

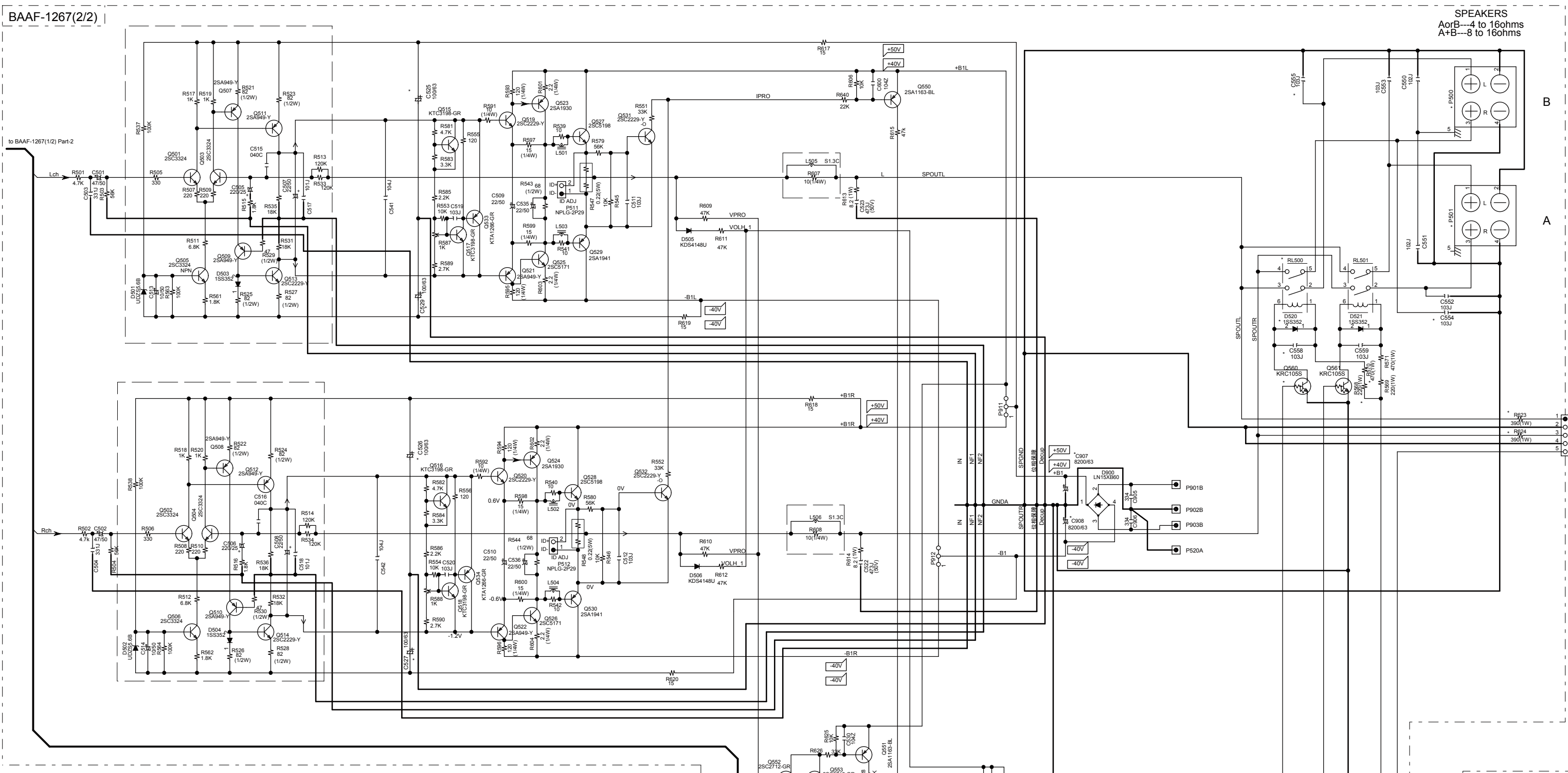
When you adjust idling current, you must use the test mode 1-03. アイドリング電流を調整する際はテストモード1-03を使用すること
test mode 1-03 : Set volume MAX, and push STANDBY/ON button while pushing down PHASE MATCHING BASS, then it will enter the test mode. And then push SPEAKERS button.

NOTE2)
M-5010 and ADM-20.4, you must confirm SPEAKER IMPEDANCE switch 8ohm before you adjust idling current. M-5010とADM-20.4はアイドリング電流を調整する前にSPEAKER IMPEDANCEのスイッチが8Ωになっていることを確認する事

NOTE3)
M-5010 and ADM-20.4 don't have test mode. When you adjust idling current, you should use timer. M-5010とADM-20.4はテストモードがないのでアイドリングを調整する時はストップウォッチを使ってください。

Model No. A-9050 / A-9030 / M-5010 / ADM-20.4 SCHEMATIC DIAGRAM (PART-3) AMP Section

U0010 MAIN PC BOARD



Mt or No Mt List

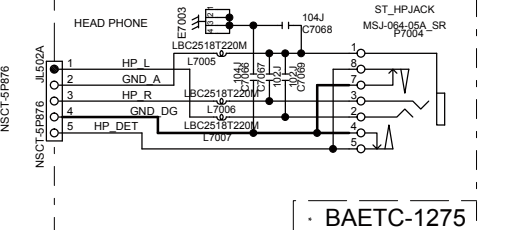
Mt choice	9030	9050	20.5/9010
CR07-CR08	820V/50V	1000/80V	1000/80V
CS25-CS26/CS27/CS28	100u/50V	100u/83V	100u/83V
PS01 SPA	○	○	○
PS02 SPB	○	○	○
RL500/CS55/CS54	○	○	○
D520/CS58/CS59	○	○	○
RS08/RS10	○	○	○
BCETC-1275	○	○	○
RL500/RS01	○	○	○
J900-J903	○	○	○
SP01	○	○	○
SP02	○	○	○
SP03	○	○	○
SP04	○	○	○
SP05	○	○	○
SP06	○	○	○
SP07	○	○	○
SP08	○	○	○
SP09	○	○	○
SP10	○	○	○
SP11	○	○	○
SP12	○	○	○
SP13	○	○	○
SP14	○	○	○
SP15	○	○	○
SP16	○	○	○
SP17	○	○	○
SP18	○	○	○
SP19	○	○	○
SP20	○	○	○
SP21	○	○	○
SP22	○	○	○
SP23	○	○	○
SP24	○	○	○
SP25	○	○	○
SP26	○	○	○
SP27	○	○	○
SP28	○	○	○
SP29	○	○	○
SP30	○	○	○
SP31	○	○	○
SP32	○	○	○
SP33	○	○	○
SP34	○	○	○
SP35	○	○	○
SP36	○	○	○
SP37	○	○	○
SP38	○	○	○
SP39	○	○	○
SP40	○	○	○
SP41	○	○	○
SP42	○	○	○
SP43	○	○	○
SP44	○	○	○
SP45	○	○	○
SP46	○	○	○
SP47	○	○	○
SP48	○	○	○
SP49	○	○	○
SP50	○	○	○
SP51	○	○	○
SP52	○	○	○
SP53	○	○	○
SP54	○	○	○
SP55	○	○	○
SP56	○	○	○
SP57	○	○	○
SP58	○	○	○
SP59	○	○	○
SP60	○	○	○
SP61	○	○	○
SP62	○	○	○
SP63	○	○	○
SP64	○	○	○
SP65	○	○	○
SP66	○	○	○
SP67	○	○	○
SP68	○	○	○
SP69	○	○	○
SP70	○	○	○
SP71	○	○	○
SP72	○	○	○
SP73	○	○	○
SP74	○	○	○
SP75	○	○	○
SP76	○	○	○
SP77	○	○	○
SP78	○	○	○
SP79	○	○	○
SP80	○	○	○
SP81	○	○	○
SP82	○	○	○
SP83	○	○	○
SP84	○	○	○
SP85	○	○	○
SP86	○	○	○
SP87	○	○	○
SP88	○	○	○
SP89	○	○	○
SP90	○	○	○
SP91	○	○	○
SP92	○	○	○
SP93	○	○	○
SP94	○	○	○
SP95	○	○	○
SP96	○	○	○
SP97	○	○	○
SP98	○	○	○
SP99	○	○	○
SP100	○	○	○

Fuse List

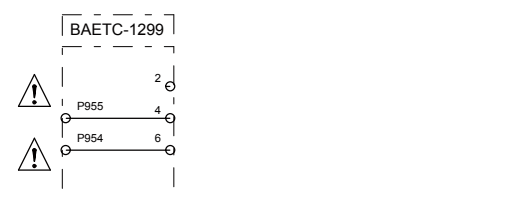
	9030	9050	9050	9050/20.4/5010
FR01	T1.6A/250V	1.25V/3.15A	1.25V/4A	T2AL 250V
FR02	x	1.25V/10A	1.25V/10A	1.25V/10A

Sub Trans List

	9030	9050	9050	9050/20.4/5010
TB01	NPT-1293P	NPT-1625C	NPT-1625J	NPT-1625P
TB02	NPT-1520GG	NPT-1520JQ	NPT-1520JL	NPT-1520GQ

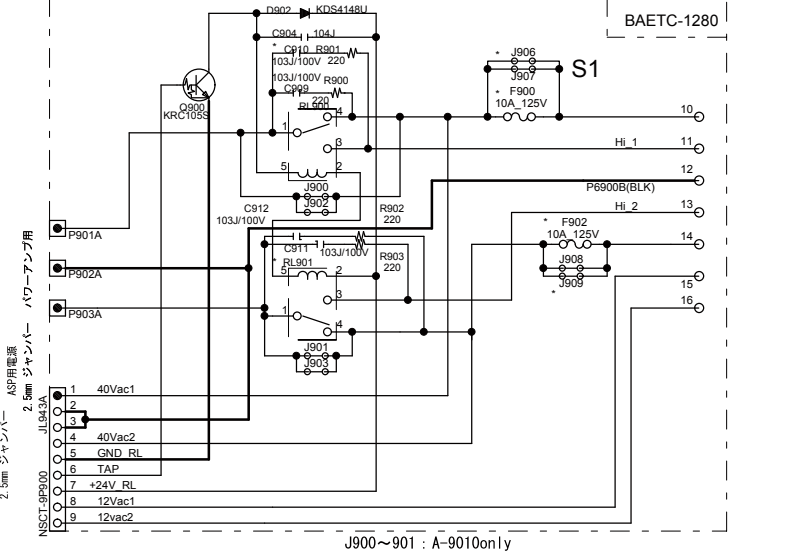
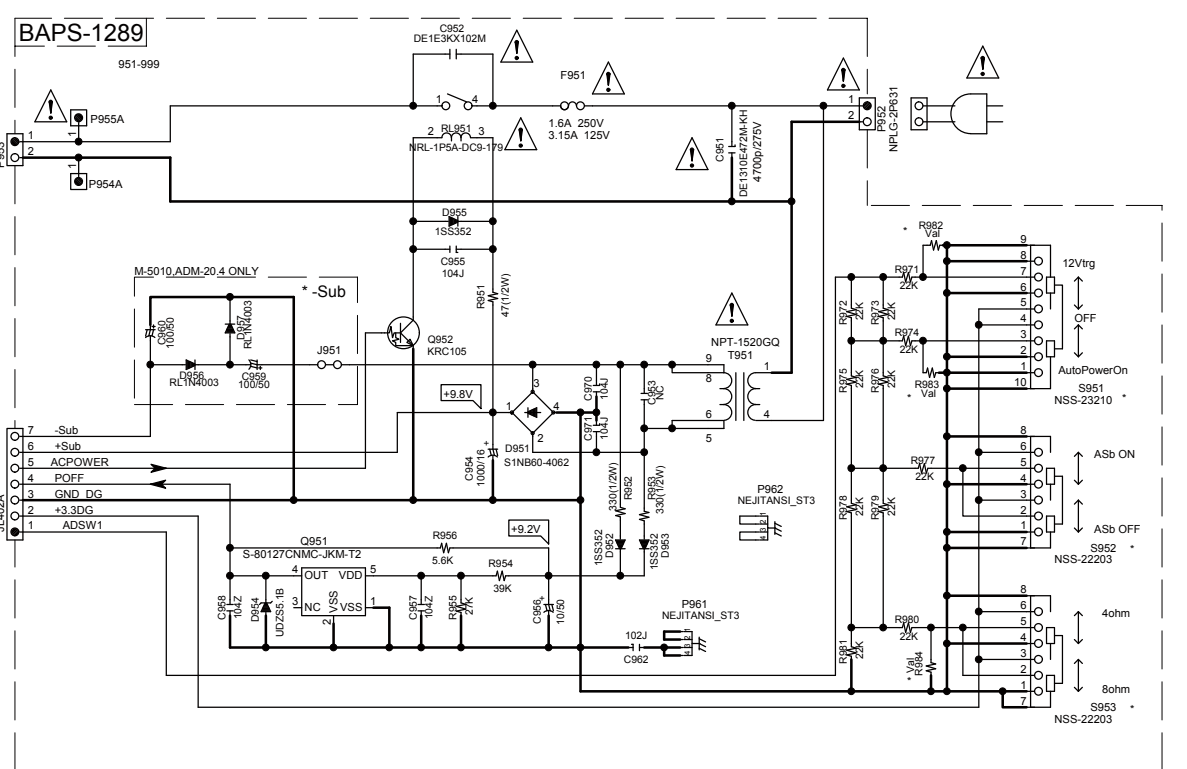


U0013 HP Jack PC BOARD



U0013 Power Supply PC BOARD

U0015 Power Supply PC BOARD



J900~901: A-9010only

SCHEMATIC DIAGRAMS - 4
DISPLAY SECTION

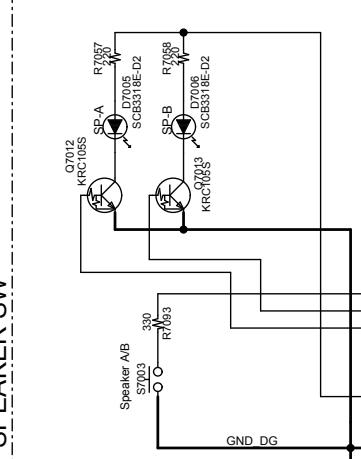
Set of destination Model No. A-9050 / A-9030 / M-5010 / ADM-20.4 SCHEMATIC DIAGRAM (PART-4) Display Section

	A-9030	A-9010	M-5010	ADM20.4
BCDIS-1268	<input type="checkbox"/>	<input type="checkbox"/>	<input type="checkbox"/>	<input type="checkbox"/>
BCSW-1272	<input type="checkbox"/>	<input type="checkbox"/>	<input type="checkbox"/>	<input type="checkbox"/>
BCSW-1271	<input type="checkbox"/>	<input type="checkbox"/>	<input type="checkbox"/>	<input type="checkbox"/>
BCETC-1273	<input type="checkbox"/>	<input type="checkbox"/>	<input type="checkbox"/>	<input type="checkbox"/>
BCETC-1274	<input type="checkbox"/>	<input type="checkbox"/>	<input type="checkbox"/>	<input type="checkbox"/>
BCETC-1276	<input type="checkbox"/>	<input type="checkbox"/>	<input type="checkbox"/>	<input type="checkbox"/>

Resistance of destination Model

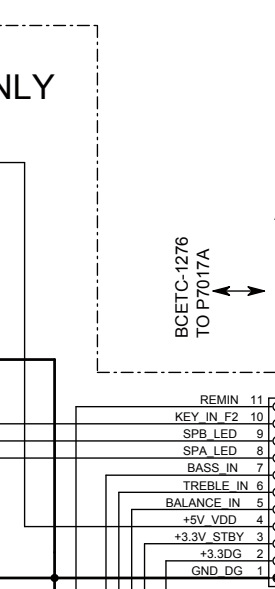
	A-9050	A-9030	M-5010	ADM20.4
R7018	47K	---	---	---
R7019	47K	---	---	---
R7022	47K	---	---	---
R7023	47K	---	---	---

U0022
Switch PC BOARD
BASW-1272
A-9050/A-9030 ONLY



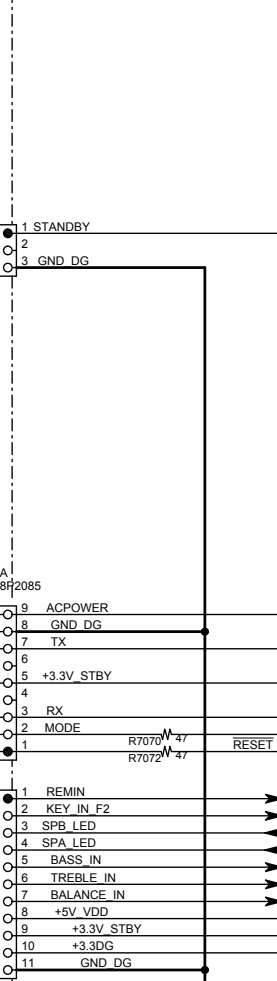
BALANCE TREBLE BASS SPEAKER SW

U0021
Switch PC BOARD
BASW-1271

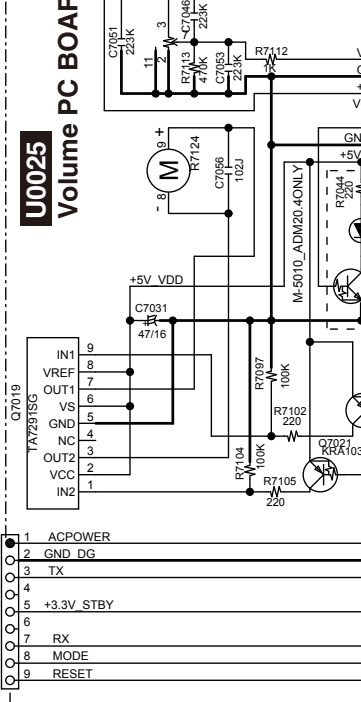


BADIS-1268

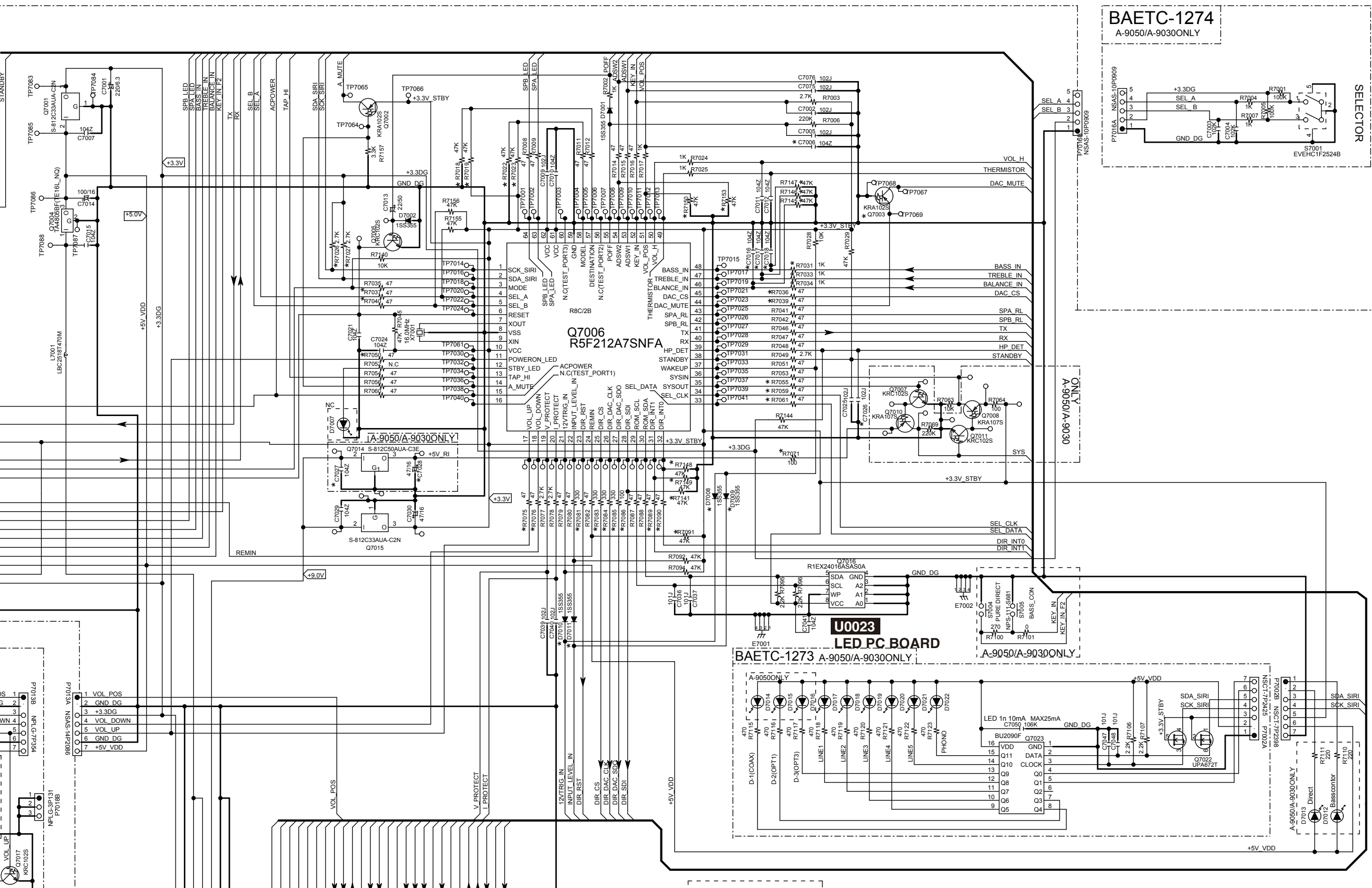
U0020
Display PC BOARD



BAETC-1276 A-9050/A-9030 ONLY

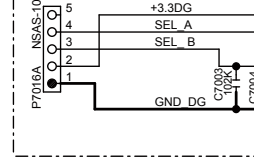


U0025
Volume PC BOARD

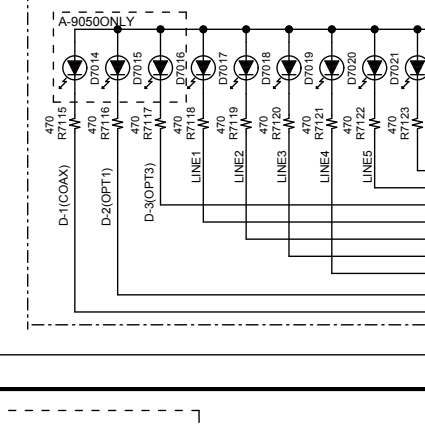


U0020
Selector PC BOARD

BAETC-1274
A-9050/A-9030 ONLY



U0023
LED PC BOARD
BAETC-1273 A-9050/A-9030 ONLY



Resistance of destination

	A-9050	A-9030	M-5010	ADM20.4
R7123	470	---	---	---
R7124	VARI R	---	---	---
R7125	VARI R	---	---	---
R7126	1K	---	---	---
R7127	470K	---	---	---
R7128	100	---	---	---
R7129	330	---	---	---
R7130	56K	---	---	---
R7131	1K	---	---	---
R7132	56K	---	---	---
R7133	330	---	---	---
R7134	4.7K	---	---	---
R7135	4.7K	---	---	---

Resistance of destination

	A-9050	A-9030	M-5010	ADM20.4
R7102	220	---	---	---
R7103	470K	---	---	---
R7104	100K	---	---	---
R7105	220	---	---	---
R7106	2.2K	---	---	---
R7107	2.2K	---	---	---
R7108	VOL R	---	---	---
R7109	1K	---	---	---
R7110	470	---	---	---
R7111	470	---	---	---
R7112	1K	---	---	---
R7113	470K	---	---	---
R7114	470K	---	---	---
R7115	470	---	---	---
R7116	470	---	---	---
R7117	470	---	---	---
R7118	470	---	---	---
R7119	470	---	---	---
R7120	470	---	---	---
R7121	470	---	---	---
R7122	470	---	---	---

Resistance of destination

	A-9050	A-9030	M-5010	ADM20.4
R7059	47	---	---	---
R7061	47	---	---	---
R7064	100	---	---	---
R7069	220K	---	---	---
R7071	100	---	---	---
R7075	47	---	---	---
R7076	47	---	---	---
R7081	330	---	---	---
R7082	47	---	---	---
R7083	330	---	---	---
R7084	330	---	---	---
R7085	330	---	---	---
R7086	100	---	---	---
R7089	47	---	---	---
R7090	47	---	---	---
R7093	330	---	---	---
R7097	100K	---	---	---
R7098	VOL R	---	---	---
R7099	1K	---	---	---
R7100	270	---	---	---
R7101	0	---	---	---

Resistance of destination

	A-9050	A-9030	M-5010	ADM20.4
R7001	100K	---	---	---
R7061	47	---	---	---
R7005	100K	---	---	---
R7007	1K	---	---	---
R7018	47K	---	---	---
R7019	47K	---	---	---
R7022	47K	---	---	---
R7023	47K	---	---	---
R7031	1K	---	---	---
R7033	1K	---	---	---
R7034	1K	---	---	---
R7036	47	---	---	---
R7037	47	---	---	---
R7039	47	---	---	---
R7040	47	---	---	---
R7044	220	---	---	---
R7048	47	---	---	---
R7050	2.7K	---	---	---
R7055	47	---	---	---
R7057	470	---	---	---
R7058	470	---	---	---

Destination, C, TR

	A-9050	A-9030	M-5010	ADM20.4
C7003~C7004	---	---	---	---
C7006	---	---	---	---
C7016~C7018	---	---	---	---
C7026~C7028	---	---	---	---
C7031 C7038	---	---	---	---
C7042	---	---	---	---
C7045~C7063	---	---	---	---
C7073~C7074	---	---	---	---
D7008~D7011	---	---	---	---
Q7003	---	---	---	---
Q7007~Q7008	---	---	---	---
Q7009	---	---	---	---
Q7010~Q7011	---	---	---	---
Q7012~Q7013	---	---	---	---
Q7014	---	---	---	---
Q7017~Q7024	---	---	---	---
D7004	---	---	---	---
D7005~D7006	---	---	---	---
D7014~D7016	---	---	---	---
D7012~D7013	---	---	---	---
D7017~D7022	---	---	---	---
L7002~L7004	---	---	---	---

DIS1268 of destination

	A-9050	A-9030	M-5010	ADM20.4
R7026	2.7K	---	---	---
R7027	2.7K	---	---	---
R7091	47K	---	---	---
R7092	47K	---	---	---
R7094	47K	---	---	---
R7144	47K	---	---	---

DIS1268 of destination

	A-9050	A-9030	M-5010	ADM20.4
R7141	2.2K	---	---	---
R7145	47K	---	---	---
R7146	47K	---	---	---
R7147	47K	---	---	---
R7148	47K	---	---	---
R7149	47K	---	---	---
R7150	47K	---	---	---
R7153	47K	---	---	---

SCHEMATIC DIAGRAMS - 5
DIGITAL SECTION

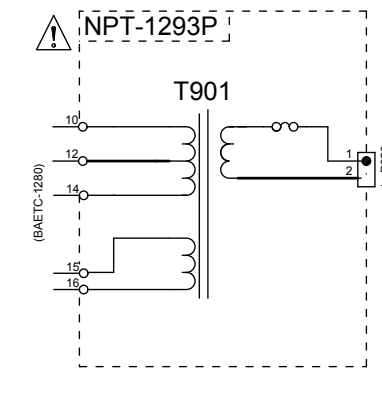
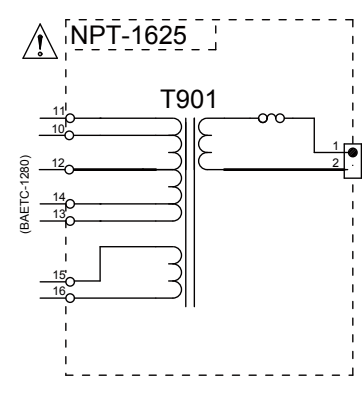
Model No. A-9050 / A-9030 / M-5010 / ADM-20.4 SCHEMATIC DIAGRAM (PART-5) Digital Section

THIS SYMBOL LOCATED NEAR THE FUSE INDICATES THAT THE FUSE USED IS SLOW OPERATING TYPE FOR CONTINUED PROTECTION AGAINST FIRE HAZARD. REPLACE WITH SAME TYPE FUSE. FOR FUSE RATING REFER TO THE MAKING ADJACENT TO THE SYMBOL.

CE SYMBOLE INDIQUE QUE LE FUSIBLE UTILISE EST A LENT, E POUR UNE PROTECTION PERMANENTE CONTRE LE DANGER D'INCENDIE. REMPLACER UNIQUEMENT PAR UN FUSIBLE DE MEME TYPE. CE DERNIER EST INDIQUE LA OÙ LE PRESENT SYMBOLE EST APPOSE.

CAUTION
FOR CONTINUED PROTECTION AGAINST FIRE HAZARD, REPLACE ONLY WITH FUSE OF SAME TYPE AND RATING INDICATED.

ATTENTION
AFIN D'ASSURER UNE PROTECTION PERMANENTE CONTRE LES RISQUES D'INCENDIE, REMPLACER UNIQUEMENT PAR UN FUSIBLE DE MEME TYPE ET CALIBRATION COMME INDIQUE.



Trans List

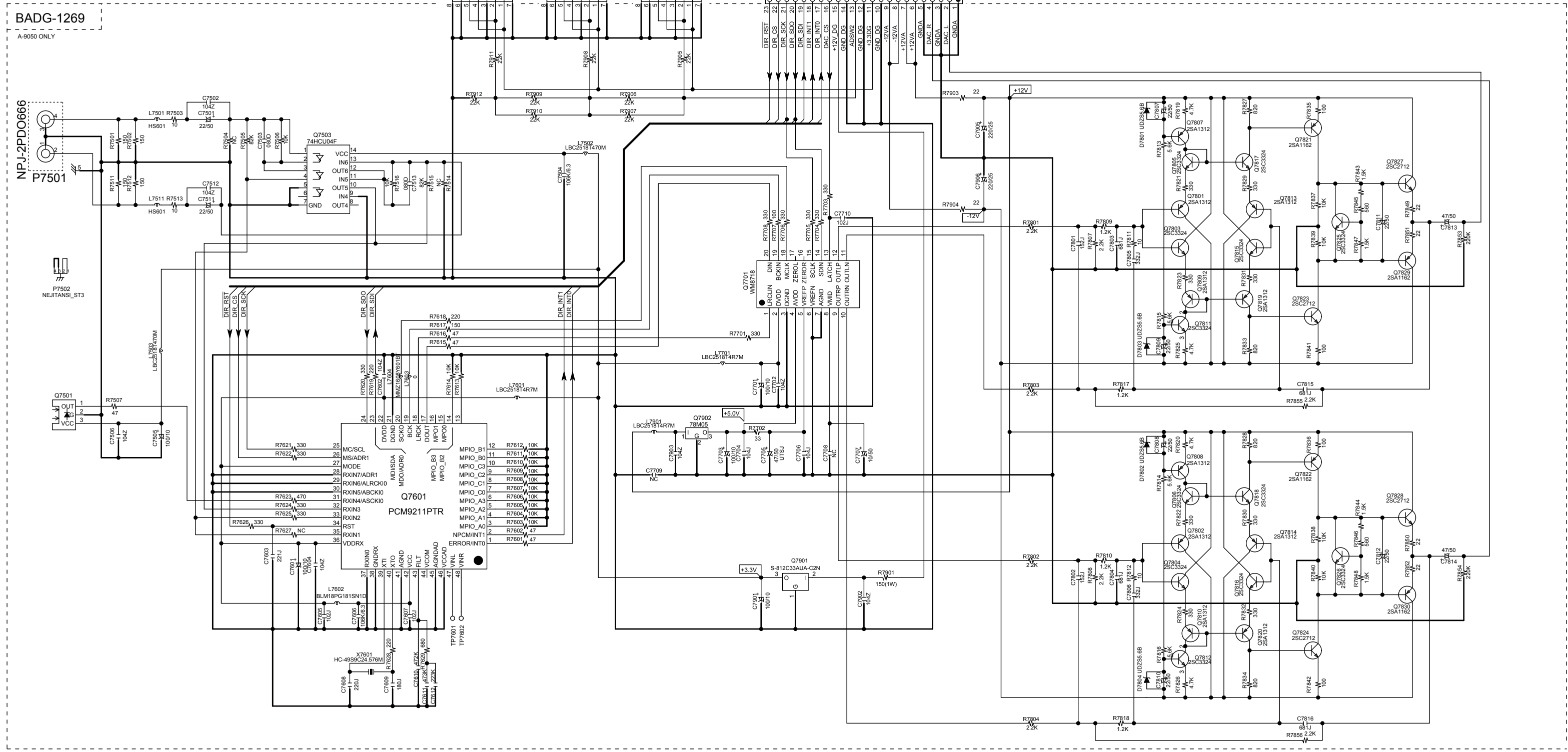
A-9050 MPP	NPT-1625P
A-9050 MDC	NPT-1625D
A-9050 MJJ	NPT-1625J
A-9030 MGP	NPT-1293P
A-9030 MGO	
A-9030 MGR	
M-5010 MDC	NPT-1625D
ADM-20.4 MDD	

NOTE_5

- THE COMPONENTS IDENTIFIED BY MARK ARE CRITICAL FOR SAFETY. REPLACE ONLY WITH PART NUMBER SPECIFIED.
- ELECTROLYTIC CAPACITORS () ARE IN μ F/VV.
- ALL CAPACITORS ARE IN pF/50WV UNLESS OTHERWISE NOTED.
- EX) 030-3pF 330-33pF 331-330pF 333-0.033 μ F
- CIRCUIT IS SUBJECT TO CHANGE FOR IMPROVEMENT.

・印は火災、感電の危険に關する製品の為、必ず指定部品を使用の事。
 ・電圧表示は測定時時に測定した変動電圧を示す。
 ・単位V、入力抵抗100k Ω 、Vは以上の電圧。
 ・記入なきコンデンサの単位は μ F/50VVである。
 ・記入なきコンデンサの単位はpF/50VVである。
 例) 030-3pF 330-33pF 331-330pF 333-0.033 μ F
 ・本図は基本回路図につき性能改善等により予告なく変更する事がある。

U0030
Digital PC BOARD



A-9050(B)MDC**<Note>**

Parts marked by "NSP" are generally unavailable because they are not in our Master Spare Parts List.

NOTE : THE COMPONENTS IDENTIFIED BY THE MARK ! ARE CRITICAL FOR RISK OF FIRE AND ELECTRIC SHOCK. REPLACE ONLY WITH PART NUMBER SPECIFIED.

<Notes>

(B) : Black color model

<MDC> : 120V,Canadian/USA/(Mexico) model

A-9050(B)MDC**EXPLODED VIEW PARTS LIST**

REF. NO.	PART NAME	DESCRIPTION	Q'TY	PART NO. (SN)	REMARKS
[SEMI CONDUCTOR]					
D900	DIODE	LN15XB60	1	22380347	
Q523	TR	2SA1930(ONK_Q)	1	2203000	
Q524	TR	2SA1930(ONK_Q)	1	2203000	
Q525	TR	2SC5171(ONK_Q)	1	2203010	
Q526	TR	2SC5171(ONK_Q)	1	2203010	
Q527	TR	2SC5242-R	1	2202842	
Q527 or	TR	2SC5242-O	(1)	2202843	
Q527A	ISO SHEET	AC238	1	223024	
Q528	TR	2SC5242-R	1	2202842	
Q528 or	TR	2SC5242-O	(1)	2202843	
Q528A	ISO SHEET	AC238	1	223024	
Q529	TR	2SA1962-R	1	2202832	
Q529 or	TR	2SA1962-O	(1)	2202833	
Q529A	ISO SHEET	AC238	1	223024	
Q530	TR	2SA1962-R	1	2202832	
Q530 or	TR	2SA1962-O	(1)	2202833	
Q530A	ISO SHEET	AC238	1	223024	
[CHASSIS SCREW]					
A001	CHASSIS		1	27100574B	N
A002	LEG	(B)	4	27175464	
A003	CUSHION	(ZUL)	4	28141877	
A004	SCREW	3TTB+8B(3BC)	4	838430088GR	
A005	HOLDER	KGLS-6S	7	27190011	
A007	BUSHING	CE-016 L=125	1	28170112	
A010	HEAT SINK		1	27160676A	N
A011	RETAINER	(HEATSINK)	1	27142294	N
A012	RETAINER	(HS-2)	1	27141530A	
A013	RETAINER	(HEATSINK)B	2	27142300	

A015	SCREW	3SMS8W.SW+14B(CU)	5	801634	
A016	SCREW	3TTB+8B(3BC)	11	838430088GR	
A020	SCREW	4TTC+8C(3BC)SR	4	801658	
A050	SCREW	3TTB+8B(3BC)	38	838430088GR	
A051	WIRE TIE	BSK-1	5	260208	
A052	CLAMP	HL-38-0	2	27301779	
A060	SCREW	3SMS6W.SW+14B(CU)	4	801659	
A101	REAR PANEL	A-9050 MDC	1	27124465A	N
A102	TRM	E TERMINAL	1	25060151	
A103	CUSHION		2	28141799	
A111	SCREW	3TTF+10B(3BC)	2	835430108GR	
[CABINET]					
A201	F PANEL	A-9050(B)	1	27213590A	N
A202	BADGE		1	28135317	
A203	CLEAR PLT	RE(B)	1	28192370A	
A204	FACET	(3)	3	28200067A	
A205	FACET	(1)	4	28200066A	
A210	F BRACKET	(AS)A-9030B	1	27111607B	
A211	KNOB	(CAP-STBY)B	1	28327091A	
A212	KNOB	(TONE-VD)B(AS)	3	28327093A	
A213	KNOB	(INPUT)B(AS)	1	28327095A	
A214	KNOB	(VOL)B(AS)	1	28327101A	N
A215	PLATE	(VOL)	1	27262857	
A220	SCREW	3TTB+8B(3BC)	17	838430088GR	
A221	CLIP	CS-1U	1	27255004	
A222	TAPE	TAPE(CLOTH-8U)	1	29110082	
A230	COVER	(B)	1	28210114	N
A231	SCREW	3TTB+8B(3BC)	8	838430088GR	
A252	CUSHION	(BUTYL)	1	28141748	
[TRANS COIL]					
T901	P TRANS	NPT-1625D	1	2302058	N,!
[SW TRM]					
F900	FUSE	10A-T/UL-ST2	1	252333GR	!
F902	FUSE	10A-T/UL-ST2	1	252333GR	!
F951	FUSE	3.15A-UL/T-233	1	252323GR	!
F951A	LABEL	3.15A/125V	1	29361779	
P403	FFC	NCFC7-231212	1	2047231212	
P7002	FFC	NCFC5-071012	1	2045071012	
P710	FFC	NCFC7-311512	1	2047311512	
P901	AC INLET	R301X2PSn	1	25053358	!
P901A	FASTON AS	FASTON SOCKET	1	1F999026A	
[MECHA PARTS]					

A114	CUSHION	T5 x 20 x 15HBK	2	28141818	
A208	CUSHION	HIMELON	3	28141934	N
[TUNER UNIT]					
			1		
U001	U0010, U0011, U0012, U0013, U0014, U0015, U0016, U0017	BAAF-1267-1B *	1	1B280567-1B	MDC
U0010	Main PCB AS	BAAF-1267-1B	1	1B2805267-1B	
U0011	HP Jack PCB AS	BAETC-1275-1B	1	1B2805275-1B	
U0012	Thermanl Sensor PCB AS	BAETC-1278-1B	1	1B2805278-1B	
U0013	Power Supply PCB AS	BAPS-1280-1B	1	1B2805280-1B	
U0014	ETC PCB AS	BAETC-1281-1B	1	1B2805281-1B	
U0015	Power Supply PCB AS	BAPS-1289-1B	1	1B2805289-1B	
U0016	ETC PCB AS	BAETC-1290-1B	1	1B2805290-1B	
U0017	ETC PCB AS	BAETC-1298-1B	1	1B2805298-1B	
U002	U0020, U0021, U0022, U0023, U0024, U0025	BADIS-1268-1B *	1	1B280568-1B	MDC
U0020	Display PCB AS	BADIS-1268-1B	1	1B2805268-1B	
U0021	Switch PCB AS	BASW-1271-1B	1	1B2805271-1B	
U0022	Switch PCB AS	BASW-1272-1B	1	1B2805272-1B	
U0023	ETC PCB AS	BAETC-1273-1B	1	1B2805273-1B	
U0024	Selector PCB AS	BAETC-1274-1B	1	1B2805274-1B	
U0025	ETC PCB AS	BAETC-1276-1B	1	1B2805276-1B	
U003	U0030	BADG-1269-1A *4	1	1B280569-1A	MDC
U0030	Digital PCB AS	BADG-1269-1A	1	1B2805269-1A	

A-9050(B)MDC

PACKING PROCEDURES PARTS LIST

REF. NO.	PART NAME	DESCRIPTION	Q'TY	PART NO. (SN)	REMARKS
[PACKING]					
A017	TAPE	TAPE(CLOTH-16U)	1	29110083	
A053	TAPE	TAPE(CLOTH-8U)	1	29110082	
A209	TAPE	TAPE(CLOTH-8U)	1	29110082	
A301	CARTON	A-9050	1	29055371B	
A311	PP TAPE	W50 SBT-70	1	29110200	
A351A	UPC LABEL	A-9050(B)MDC	{ 1 }	29392043	N
A401	PAD	(AS)A-9030	1	29092628B	
A401A	PAD	(L)A-9030	{ 1 }	29092629B	
A401B	PAD	(R)A-9030	{ 1 }	29092630B	
A451	SHEET	1300 x 650	1	29096147	
A452	TAPE	(SEROHAN)NITTO NO.29	1	29110149	
[ACCESSARY]					
A501	WRNTY CARD	(ONKYO)	1	29365135	

A506	REMO CON	RC-830S	1	24140830	
A507	BATTERY	R03/AAA(UM-4)	2	3010124	
A507 or	BATTERY	R03/24D(UM-4)	(2)	3010503	
A701	INS MANUAL	En(A-9050)	1	29401270	N
A702	INS MANUAL	U2FrEs(A-9050)	1	29401271	N
A711	POLY BAG	w250xd350	1	29100250A	
A712	TAPE	(SEROHAN)NITTO NO.29	1	29110149	
P902	AC CORD	AS-UC-2	1	253352ATES	!

A-9050(B)MDC

PC BOARD PARTS LIST

U001

BAAF-1267-1B

CIRCUIT NO	PART NAME	DESCRIPTION	Q'TY	PART NO. (SN)	REMARKS
[SEMI CONDUCTOR]					
D300	C-DIODE	KDS4148U	1	223283R2	
D300 or	C-DIODE	1SS352	(1)	223234R2	
D300 or	C-DIODE	1SS355	(1)	223269R2	
D301	C-DIODE	KDS4148U	1	223283R2	
D301 or	C-DIODE	1SS352	(1)	223234R2	
D301 or	C-DIODE	1SS355	(1)	223269R2	
D302	ZENER D	UDZS7.5B	1	224550750R2	
D303	ZENER D	UDZS7.5B	1	224550750R2	
D304	C-DIODE	KDS4148U	1	223283R2	
D304 or	C-DIODE	1SS352	(1)	223234R2	
D304 or	C-DIODE	1SS355	(1)	223269R2	
D315	C-DIODE	KDS4148U	1	223283R2	
D315 or	C-DIODE	1SS352	(1)	223234R2	
D315 or	C-DIODE	1SS355	(1)	223269R2	
D316	C-DIODE	KDS4148U	1	223283R2	
D316 or	C-DIODE	1SS352	(1)	223234R2	
D316 or	C-DIODE	1SS355	(1)	223269R2	
D317	C-DIODE	KDS4148U	1	223283R2	
D317 or	C-DIODE	1SS352	(1)	223234R2	
D317 or	C-DIODE	1SS355	(1)	223269R2	
D322	DIODE	RLIN4003	1	22380260T	
D323	DIODE	RLIN4003	1	22380260T	
D324	DIODE	RLIN4003	1	22380260T	
D325	C-DIODE	KDS4148U	1	223283R2	
D325 or	C-DIODE	1SS352	(1)	223234R2	

D325 or	C-DIODE	ISS355	(1)	223269R2
D380	C-DIODE	S1NB60-4062	1	22380318R2
D501	ZENER D	UDZS5.6B	1	224550560R2
D502	ZENER D	UDZS5.6B	1	224550560R2
D503	C-DIODE	KDS4148U	1	223283R2
D503 or	C-DIODE	ISS352	(1)	223234R2
D503 or	C-DIODE	ISS355	(1)	223269R2
D504	C-DIODE	KDS4148U	1	223283R2
D504 or	C-DIODE	ISS352	(1)	223234R2
D504 or	C-DIODE	ISS355	(1)	223269R2
D510	C-DIODE	KDS4148U	1	223283R2
D510 or	C-DIODE	ISS352	(1)	223234R2
D510 or	C-DIODE	ISS355	(1)	223269R2
D511	C-DIODE	KDS4148U	1	223283R2
D511 or	C-DIODE	ISS352	(1)	223234R2
D511 or	C-DIODE	ISS355	(1)	223269R2
D512	ZENER D	UDZS3.3B	1	224550330R2
D513	ZENER D	UDZS3.3B	1	224550330R2
D520	C-DIODE	KDS4148U	1	223283R2
D520 or	C-DIODE	ISS352	(1)	223234R2
D520 or	C-DIODE	ISS355	(1)	223269R2
D521	C-DIODE	KDS4148U	1	223283R2
D521 or	C-DIODE	ISS352	(1)	223234R2
D521 or	C-DIODE	ISS355	(1)	223269R2
D901	C-DIODE	S1NB60-4062	1	22380318R2
D902	C-DIODE	KDS4148U	1	223283R2
D902 or	C-DIODE	ISS352	(1)	223234R2
D902 or	C-DIODE	ISS355	(1)	223269R2
D951	C-DIODE	S1NB60-4062	1	22380318R2
D952	C-DIODE	KDS4148U	1	223283R2
D952 or	C-DIODE	ISS352	(1)	223234R2
D952 or	C-DIODE	ISS355	(1)	223269R2
D953	C-DIODE	KDS4148U	1	223283R2
D953 or	C-DIODE	ISS352	(1)	223234R2
D953 or	C-DIODE	ISS355	(1)	223269R2
D954	ZENER D	UDZS5.1B	1	224550510R2
D955	C-DIODE	KDS4148U	1	223283R2
D955 or	C-DIODE	ISS352	(1)	223234R2
D955 or	C-DIODE	ISS355	(1)	223269R2
Q300	IC	R2S15211FP	1	22242297R3
Q301	TR	RTAN430C-T112-1	1	2217780R2
Q301 or	TR	RN1441	(1)	2215410R2

Q302	TR	RTAN430C-T112-1	1	2217780R2
Q302 or	TR	RN1441	(1)	2215410R2
Q303	TR	RTAN430C-T112-1	1	2217780R2
Q303 or	TR	RN1441	(1)	2215410R2
Q304	TR	RTAN430C-T112-1	1	2217780R2
Q304 or	TR	RN1441	(1)	2215410R2
Q305	IC	79M12HF(NJM79M12FA)	1	222790125JRC
Q306	IC	78M12HF(NJM78M12FA)	1	222780125JRC
Q306A	HEAT SINK	RAD-231	1	27160592
Q306B	SCREW	3P+6FN(3BC)	2	82143006GR
Q315	TR	2SC3324-GR(TE85L_F)	1	2216825R2
Q316	TR	2SC3324-GR(TE85L_F)	1	2216825R2
Q317	TR	2SA1312-GR(TE85L_F)	1	2216835R2
Q318	TR	2SA1312-GR(TE85L_F)	1	2216835R2
Q319	TR	2SC3324-GR(TE85L_F)	1	2216825R2
Q320	TR	2SC3324-GR(TE85L_F)	1	2216825R2
Q321	IC	NJM4580M-D	1	22241448R2
Q322	TR	RTAN430C-T112-1	1	2217780R2
Q322 or	TR	RN1441	(1)	2215410R2
Q325	IC	NJM4580M-D	1	22241448R2
Q340	TR	KRC105S	1	2217290R2
Q4100	IC	LM61CIZ	1	22242212
Q4100A	RETAINER	(PTH)	1	27141884-1
Q501	TR	2SC3324-BL	1	2216826R2
Q502	TR	2SC3324-BL	1	2216826R2
Q503	TR	2SC3324-BL	1	2216826R2
Q504	TR	2SC3324-BL	1	2216826R2
Q505	TR	2SC3324-BL	1	2216826R2
Q506	TR	2SC3324-BL	1	2216826R2
Q507	TR	2SA949-Y(TPE6_F)	1	2211354T
Q507 or	TR	2SA949-O(TPE6_F)	(1)	2211353T
Q508	TR	2SA949-Y(TPE6_F)	1	2211354T
Q508 or	TR	2SA949-O(TPE6_F)	(1)	2211353T
Q509	TR	2SA949-Y(TPE6_F)	1	2211354T
Q509 or	TR	2SA949-O(TPE6_F)	(1)	2211353T
Q510	TR	2SA949-Y(TPE6_F)	1	2211354T
Q510 or	TR	2SA949-O(TPE6_F)	(1)	2211353T
Q511	TR	2SA949-Y(TPE6_F)	1	2211354T
Q511 or	TR	2SA949-O(TPE6_F)	(1)	2211353T
Q512	TR	2SA949-Y(TPE6_F)	1	2211354T
Q512 or	TR	2SA949-O(TPE6_F)	(1)	2211353T
Q513	TR	2SC2229-Y(TPE6_F)	1	2211634T

Q513 or	TR	2SC2229-O(TPE6_F)	(1)	2211633T
Q514	TR	2SC2229-Y(TPE6_F)	1	2211634T
Q514 or	TR	2SC2229-O(TPE6_F)	(1)	2211633T
Q515	TR	KTC3198-GR	1	2215985T
Q516	TR	KTC3198-GR	1	2215985T
Q517	TR	KTC3198-GR	1	2215985T
Q518	TR	KTC3198-GR	1	2215985T
Q519	TR	2SC2229-Y(TPE6_F)	1	2211634T
Q519 or	TR	2SC2229-O(TPE6_F)	(1)	2211633T
Q520	TR	2SC2229-Y(TPE6_F)	1	2211634T
Q520 or	TR	2SC2229-O(TPE6_F)	(1)	2211633T
Q521	TR	2SA949-Y(TPE6_F)	1	2211354T
Q521 or	TR	2SA949-O(TPE6_F)	(1)	2211353T
Q522	TR	2SA949-Y(TPE6_F)	1	2211354T
Q522 or	TR	2SA949-O(TPE6_F)	(1)	2211353T
Q531	TR	2SC2229-Y(TPE6_F)	1	2211634T
Q531 or	TR	2SC2229-O(TPE6_F)	(1)	2211633T
Q532	TR	2SC2229-Y(TPE6_F)	1	2211634T
Q532 or	TR	2SC2229-O(TPE6_F)	(1)	2211633T
Q533	TR	KTA1266-GR	1	2215975T
Q534	TR	KTA1266-GR	1	2215975T
Q550	TR	2SA1163-BL(TE85L_F)	1	2216756R2
Q550 or	TR	KTA1517-GR	(1)	2216305R2
Q550 or	TR	KTA1517-BL	(1)	2216306R2
Q551	TR	2SA1163-BL(TE85L_F)	1	2216756R2
Q551 or	TR	KTA1517-GR	(1)	2216305R2
Q551 or	TR	KTA1517-BL	(1)	2216306R2
Q552	TR	2SC2712-GR	1	2213145R2
Q552 or	TR	KTC3875-GR	(1)	2216175R2
Q553	TR	2SC2712-GR	1	2213145R2
Q553 or	TR	KTC3875-GR	(1)	2216175R2
Q560	TR	KRC105S	1	2217290R2
Q560 or	TR	RN1405	(1)	2214500R2
Q560 or	TR	DTC123JKA	(1)	2216690R2
Q561	TR	KRC105S	1	2217290R2
Q561 or	TR	RN1405	(1)	2214500R2
Q561 or	TR	DTC123JKA	(1)	2216690R2
Q900	TR	KRC105S	1	2217290R2
Q900 or	TR	RN1405	(1)	2214500R2
Q900 or	TR	DTC123JKA	(1)	2216690R2
Q951	IC	S-80127CNMC-JKM-T2	1	22241642R2
Q952	TR	KRC105S	1	2217290R2

Q952 or	TR	RN1405	(1)	2214500R2	
Q952 or	TR	DTC123JKA	(1)	2216690R2	
[TRANS COIL]					
L390	EMIFIL	BK1608LM182-T	1	230958R1	
L501	FR CORE	---	1	5597-45502	
L502	FR CORE	---	1	5597-45502	
L503	FR CORE	---	1	5597-45502	
L504	FR CORE	---	1	5597-45502	
L505	S COIL	SC-0.8X11.5X12.5T-6.5L	1	231393S	
L506	S COIL	SC-0.8X11.5X12.5T-6.5L	1	231393S	
L7005	CHOKE COIL	LBC2518T220M	1	231364M220R2	
L7006	CHOKE COIL	LBC2518T220M	1	231364M220R2	
L7007	CHOKE COIL	LBC2518T220M	1	231364M220R2	
T951	P TRANS	NPT-1520JQ	1	2301812A	!
[CAPACITOR]					
C301	UTSP C	CE04W25V-220M(UTSP)	1	397552217T	
C302	UTSP C	CE04W25V-220M(UTSP)	1	397552217T	
C304	TF C	ECQ-V50V-104J	1	374721044T	
C305	TF C	ECQ-V50V-104J	1	374721044T	
C306	TF C	ECQ-V50V-223J	1	374722234T	
C307	TF C	ECQ-V50V-104J	1	374721044T	
C308	TF C	ECQ-V50V-104J	1	374721044T	
C309	TF C	ECQ-V50V-223J	1	374722234T	
C310	UTSP C	CE04W50V-10M(UTSP)	1	397581007T	
C310 or	UTSP C	CE04W50V-10M(UTSP)	(1)	397581007AT	
C311	UTSP C	CE04W50V 47M(UTSP)	1	397584707T	
C311 or	UTSP C	CE04W50V 47M(UTSP)	(1)	397584707AT	
C312	UTSP C	CE04W50V 47M(UTSP)	1	397584707T	
C312 or	UTSP C	CE04W50V 47M(UTSP)	(1)	397584707AT	
C313	UTSP C	CE04W50V-10M(UTSP)	1	397581007T	
C313 or	UTSP C	CE04W50V-10M(UTSP)	(1)	397581007AT	
C315	UTSP C	CE04W25V-220M(UTSP)	1	397552217T	
C316	UTSP C	CE04W25V-220M(UTSP)	1	397552217T	
C317	UTSP C	CE04W16V-470M(UTSP)	1	397544717T	
C318	UTSP C	CE04W16V-470M(UTSP)	1	397544717T	
C319	TF C	ECQ-V50V-104J	1	374721044T	
C330	TF C	ECQ-V50V-104J	1	374721044T	
C331	TF C	ECQ-V50V-104J	1	374721044T	
C332	TF C	ECQ-V50V-224J	1	374722244T	
C333	TF C	ECQ-V50V-224J	1	374722244T	
C334	UTSP C	CE04W25V-100M(UTSP)	1	397551017AT	
C335	UTSP C	CE04W25V-100M(UTSP)	1	397551017AT	

C336	TF C	ECQ-V50V-334J	1	374723344T
C337	TF C	ECQ-V50V-334J	1	374723344T
C338	TF C	ECQ-V50V-224J	1	374722244T
C339	TF C	ECQ-V50V-224J	1	374722244T
C340	UTSP C	CE04W25V-220M(UTSP)	1	397552217T
C341	UTSP C	CE04W25V-220M(UTSP)	1	397552217T
C342	UTSP C	CE04W25V-220M(UTSP)	1	397552217T
C343	UTSP C	CE04W25V-220M(UTSP)	1	397552217T
C345	UTSP C	CE04W50V 47M(UTSP)	1	397584707T
C345 or	UTSP C	CE04W50V 47M(UTSP)	(1)	397584707AT
C346	UTSP C	CE04W50V 47M(UTSP)	1	397584707T
C346 or	UTSP C	CE04W50V 47M(UTSP)	(1)	397584707AT
C347	UTSP C	CE04W50V 47M(UTSP)	1	397584707T
C347 or	UTSP C	CE04W50V 47M(UTSP)	(1)	397584707AT
C348	TF C	ECQ-V50V-105J	1	374721054T
C349	TF C	ECQ-V50V-224J	1	374722244T
C350	UTSP C	CE04W50V 47M(UTSP)	1	397584707T
C350 or	UTSP C	CE04W50V 47M(UTSP)	(1)	397584707AT
C351	C-CERA C	CC725CH1H-102J1	1	342101024R1
C352	MKT C	B32529C0102J289	1	376491024T
C353	MKT C	B32529C0102J289	1	376491024T
C354	UTSP C	CE04W50V 47M(UTSP)	1	397584707T
C354 or	UTSP C	CE04W50V 47M(UTSP)	(1)	397584707AT
C355	UTSP C	CE04W50V 47M(UTSP)	1	397584707T
C355 or	UTSP C	CE04W50V 47M(UTSP)	(1)	397584707AT
C356	C-CERA C	CC725CH1H-221J1	1	342102214R1
C357	C-CERA C	CC725CH1H-221J1	1	342102214R1
C358	UTSP C	CE04W25V-220M(UTSP)	1	397552217T
C359	UTSP C	CE04W25V-220M(UTSP)	1	397552217T
C360	MKT C	B32529C0102J289	1	376491024T
C361	MKT C	B32529C0102J289	1	376491024T
C362	MKT C	B32529C0472J289	1	376494724T
C363	MKT C	B32529C0472J289	1	376494724T
C364	MKT C	B32529C0152J289	1	376491524T
C365	MKT C	B32529C0152J289	1	376491524T
C366	UTSP C	CE04W50V-22M(UTSP)	1	397582207T
C366 or	UTSP C	CE04W50V-22M(UTSP)	(1)	397582207AT
C367	UTSP C	CE04W50V-22M(UTSP)	1	397582207T
C367 or	UTSP C	CE04W50V-22M(UTSP)	(1)	397582207AT
C368	MKT C	B32529C0222J289	1	376492224T
C369	MKT C	B32529C0222J289	1	376492224T
C370	UTSP C	CE04W25V-220M(UTSP)	1	397552217T

C371	C-CERA C	CK725F1E-104Z1	1	332161040R1	
C372	UTSP C	CE04W25V-220M(UTSP)	1	397552217T	
C373	C-CERA C	CK725F1E-104Z1	1	332161040R1	
C375	UPZ C	2AUPZTF221JE	1	376332214T	
C376	UPZ C	2AUPZTF221JE	1	376332214T	
C377	UPZ C	2AUPZTF221JE	1	376332214T	
C378	UPZ C	2AUPZTF221JE	1	376332214T	
C380	UPZ C	2AUPZTF221JE	1	376332214T	
C381	UPZ C	2AUPZTF221JE	1	376332214T	
C382	UPZ C	2AUPZTF221JE	1	376332214T	
C383	UPZ C	2AUPZTF221JE	1	376332214T	
C384	TF C	ECQ-V50V-334J	1	374723344T	
C385	TF C	ECQ-V50V-334J	1	374723344T	
C386	UTSK C	CE04W50V-1000M(UTSK)	1	398381027S	
C387	UTSK C	CE04W50V-1000M(UTSK)	1	398381027S	
C389	UPZ C	2AUPZTF221JE	1	376332214T	
C390	UPZ C	2AUPZTF221JE	1	376332214T	
C392	C-CERA C	CC725CH1H-221J1	1	342102214R1	
C393	C-CERA C	CC725CH1H-221J1	1	342102214R1	
C394	C-CERA C	CC725CH1H-102J1	1	342101024R1	
C395	C-CERA C	CC725CH1H-221J1	1	342102214R1	
C396	C-CERA C	CC725CH1H-102J1	1	342101024R1	
C397	C-CERA C	CC725CH1H-101J1	1	342101014R1	
C401	TF C	ECQ-V50V-104J	1	374721044T	
C4101	C-CERA C	CK725F1E-104Z1	1	332161040R1	
C501	UTSJ C	CE04W50V-22M(UTSJ)	1	398082207BT	N
C501 or	UTSJ C	CE04W50V-22M(UTSJ)	(1)	398082207AT	
C502	UTSJ C	CE04W50V-22M(UTSJ)	1	398082207BT	N
C502 or	UTSJ C	CE04W50V-22M(UTSJ)	(1)	398082207AT	
C503	UPZ C	2AUPZTF331JE	1	376333314T	
C504	UPZ C	2AUPZTF331JE	1	376333314T	
C505	UTSP C	CE04W25V-220M(UTSP)	1	397552217T	
C506	UTSP C	CE04W25V-220M(UTSP)	1	397552217T	
C507	UTSP C	CE04W50V-22M(UTSP)	1	397582207T	
C507 or	UTSP C	CE04W50V-22M(UTSP)	(1)	397582207AT	
C508	UTSP C	CE04W50V-22M(UTSP)	1	397582207T	
C508 or	UTSP C	CE04W50V-22M(UTSP)	(1)	397582207AT	
C509	UTSP C	CE04W50V-22M(UTSP)	1	397582207T	
C509 or	UTSP C	CE04W50V-22M(UTSP)	(1)	397582207AT	
C510	UTSP C	CE04W50V-22M(UTSP)	1	397582207T	
C510 or	UTSP C	CE04W50V-22M(UTSP)	(1)	397582207AT	
C511	TF C	ECQ-V50V-103J	1	374721034T	

C512	TF C	ECQ-V50V-103J	1	374721034T
C513	UTSP C	CE04W50V-10M(UTSP)	1	397581007T
C513 or	UTSP C	CE04W50V-10M(UTSP)	(1)	397581007AT
C514	UTSP C	CE04W50V-10M(UTSP)	1	397581007T
C514 or	UTSP C	CE04W50V-10M(UTSP)	(1)	397581007AT
C515	CERA C	CC45SL50V-040C	1	345020401T
C516	CERA C	CC45SL50V-040C	1	345020401T
C517	UPZ C	2AUPZTF101JE	1	376331014T
C518	UPZ C	2AUPZTF101JE	1	376331014T
C519	TF C	ECQ-V50V-103J	1	374721034T
C520	TF C	ECQ-V50V-103J	1	374721034T
C522	TF C	ECQ-V50V-473J	1	374724734T
C523	TF C	ECQ-V50V-473J	1	374724734T
C525	UTSP C	CE04W63V-100M(UTSP)	1	397571017T
C526	UTSP C	CE04W63V-100M(UTSP)	1	397571017T
C527	UTSP C	CE04W63V-100M(UTSP)	1	397571017T
C529	UTSP C	CE04W63V-100M(UTSP)	1	397571017T
C530	C-CERA C	CK725F1E-104Z1	1	332161040R1
C531	UTSP C	CE04W50V-100M(UTSP)	1	397581017T
C532	UTSP C	CE04W50V-1M(UTSP)	1	397580107T
C532 or	UTSP C	CE04W50V-1M(UTSP)	(1)	397580107AT
C533	UTSP C	CE04W50V-1M(UTSP)	1	397580107T
C533 or	UTSP C	CE04W50V-1M(UTSP)	(1)	397580107AT
C534	UTSP C	CE04W50V-1M(UTSP)	1	397580107T
C534 or	UTSP C	CE04W50V-1M(UTSP)	(1)	397580107AT
C535	UTSP C	CE04W50V-22M(UTSP)	1	397582207T
C535 or	UTSP C	CE04W50V-22M(UTSP)	(1)	397582207AT
C536	UTSP C	CE04W50V-22M(UTSP)	1	397582207T
C536 or	UTSP C	CE04W50V-22M(UTSP)	(1)	397582207AT
C541	TF C	ECQ-V50V-104J	1	374721044T
C542	TF C	ECQ-V50V-104J	1	374721044T
C550	MKT C	B32529C0102J289	1	376491024T
C551	MKT C	B32529C0102J289	1	376491024T
C552	TF C	ECQ-V50V-103J	1	374721034T
C553	TF C	ECQ-V50V-103J	1	374721034T
C554	TF C	ECQ-V50V-103J	1	374721034T
C555	TF C	ECQ-V50V-103J	1	374721034T
C558	TF C	ECQ-V50V-103J	1	374721034T
C559	TF C	ECQ-V50V-103J	1	374721034T
C600	C-CERA C	CK725F1E-104Z1	1	332161040R1
C7066	TF C	ECQ-V50V-104J	1	374721044T
C7067	C-FILM C	ECHU50V-102J	1	373021024R2

C7068	TF C	ECQ-V50V-104J	1	374721044T	
C7069	C-FILM C	ECHU50V-102J	1	373021024R2	
C900	TF C	ECQ-V50V-334J	1	374723344T	
C901	TF C	ECQ-V50V-334J	1	374723344T	
C903	UTSK C	CE04W25V-2200M(UTSK)	1	398352227S	
C904	TF C	ECQ-V50V-104J	1	374721044T	
C905	TF C	ECQ-V50V-334J	1	374723344T	
C906	TF C	ECQ-V50V-334J	1	374723344T	
C907	ELECT C	CE69W69V-10000MA	1	3504425	
C908	ELECT C	CE69W69V-10000MA	1	3504425	
C951	IS C	DE1310E472M-KH	1	3300054	!
C952	IS C	DE1E3KX102MB4BL01	1	3300066S	!
C952 or	PLA C	DE1E3KX102ME4BA01	(1)	3800043S	
C954	UTSK C	CE04W16V-1000M(UTSK)	1	398341027S	
C955	TF C	ECQ-V50V-104J	1	374721044T	
C956	UTSP C	CE04W50V-10M(UTSP)	1	397581007T	
C956 or	UTSP C	CE04W50V-10M(UTSP)	(1)	397581007AT	
C957	C-CERA C	CK725F1E-104Z1	1	332161040R1	
C958	C-CERA C	CK725F1E-104Z1	1	332161040R1	
C962	MKT C	B32529C0102J289	1	376491024T	
C970	TF C	ECQ-V50V-104J	1	374721044T	
C971	TF C	ECQ-V50V-104J	1	374721044T	
[RESISTOR]					
R300	C-CARBON R	RN72K1J-224JE	1	435032244R1	
R301	C-CARBON R	RN72K1J-224JE	1	435032244R1	
R302	C-CARBON R	RN72K1J-271JE	1	435032714R1	
R303	C-CARBON R	RN72K1J-271JE	1	435032714R1	
R304	C-CARBON R	RN72K1J-101JE	1	435031014R1	
R305	C-CARBON R	RN72K1J-101JE	1	435031014R1	
R306	METAL O R	RS2WBJ-220	1	442722214F	
R307	METAL O R	RS2WBJ-220	1	442722214F	
R308	C-CARBON R	RN72K1J-472JE	1	435034724R1	
R309	C-CARBON R	RN72K1J-472JE	1	435034724R1	
R310	C-CARBON R	RN72K1J-103JE	1	435031034R1	
R311	C-CARBON R	RN72K1J-103JE	1	435031034R1	
R319	C-CARBON R	RN72K1J-000JE	1	435030004R1	
R320	C-CARBON R	RN72K1J-222JE	1	435032224R1	
R321	C-CARBON R	RN72K1J-000JE	1	435030004R1	
R326	C-CARBON R	RN72K1J-271JE	1	435032714R1	
R327	C-CARBON R	RN72K1J-271JE	1	435032714R1	
R328	C-CARBON R	RN72K1J-222JE	1	435032224R1	
R330	C-CARBON R	RN72K1J-000JE	1	435030004R1	

R333	C-CARBON R	RN72K1J-000JE	1	435030004R1
R334	C-CARBON R	RN72K1J-000JE	1	435030004R1
R335	C-CARBON R	RN72K1J-000JE	1	435030004R1
R336	C-CARBON R	RN72K1J-000JE	1	435030004R1
R337	METAL O R	RS1WBJ-100	1	443621014T
R338	C-CARBON R	RN72K1J-000JE	1	435030004R1
R339	C-CARBON R	RN72K1J-000JE	1	435030004R1
R340	C-CARBON R	RN72K1J-000JE	1	435030004R1
R341	METAL O R	RS2WBJ-220	1	442722214F
R342	METAL O R	RS2WBJ-220	1	442722214F
R345	METAL O R	RS1/2WBJ-22	1	443522204T
R346	METAL O R	RS1/2WBJ-22	1	443522204T
R347	METAL O R	RS1/2WBJ-68	1	443526804T
R348	METAL O R	RS1/2WBJ-68	1	443526804T
R349	C-CARBON R	RN72K1J-000JE	1	435030004R1
R364	C-CARBON R	RN72K1J-102JE	1	435031024R1
R365	C-CARBON R	RN72K1J-102JE	1	435031024R1
R366	C-CARBON R	RN72K1J-474JE	1	435034744R1
R367	C-CARBON R	RN72K1J-474JE	1	435034744R1
R368	C-CARBON R	RN72K1J-224JE	1	435032244R1
R369	C-CARBON R	RN72K1J-224JE	1	435032244R1
R370	C-CARBON R	RN72K1J-332JE	1	435033324R1
R371	C-CARBON R	RN72K1J-332JE	1	435033324R1
R372	C-CARBON R	RN72K1J-332JE	1	435033324R1
R373	C-CARBON R	RN72K1J-332JE	1	435033324R1
R374	C-CARBON R	RN72K1J-153JE	1	435031534R1
R375	C-CARBON R	RN72K1J-153JE	1	435031534R1
R376	C-CARBON R	RN72K1J-562JE	1	435035624R1
R377	C-CARBON R	RN72K1J-562JE	1	435035624R1
R378	C-CARBON R	RN72K1J-562JE	1	435035624R1
R379	C-CARBON R	RN72K1J-562JE	1	435035624R1
R380	C-CARBON R	RN72K1J-123JE	1	435031234R1
R381	C-CARBON R	RN72K1J-123JE	1	435031234R1
R382	C-CARBON R	RN72K1J-332JE	1	435033324R1
R383	C-CARBON R	RN72K1J-332JE	1	435033324R1
R384	C-CARBON R	RN72K1J-331JE	1	435033314R1
R385	C-CARBON R	RN72K1J-331JE	1	435033314R1
R386	C-CARBON R	RN72K1J-272JE	1	435032724R1
R387	C-CARBON R	RN72K1J-272JE	1	435032724R1
R388	C-CARBON R	RN72K1J-221JE	1	435032214R1
R389	C-CARBON R	RN72K1J-221JE	1	435032214R1
R390	C-CARBON R	RN72K1J-331JE	1	435033314R1

R391	C-CARBON R	RN72K1J-331JE	1	435033314R1
R392	C-CARBON R	RN72K1J-104JE	1	435031044R1
R393	C-CARBON R	RN72K1J-104JE	1	435031044R1
R394	C-CARBON R	RN72K2E-220JE	1	435222204R1
R395	C-CARBON R	RN72K2E-220JE	1	435222204R1
R396	METAL O R	RS1/2WBJ-22	1	443522204T
R397	METAL O R	RS1/2WBJ-22	1	443522204T
R398	C-CARBON R	RN72K1J-224JE	1	435032244R1
R399	C-CARBON R	RN72K1J-103JE	1	435031034R1
R401	C-CARBON R	RN72K1J-102JE	1	435031024R1
R402	C-CARBON R	RN72K1J-102JE	1	435031024R1
R403	C-CARBON R	RN72K1J-563JE	1	435035634R1
R404	C-CARBON R	RN72K1J-563JE	1	435035634R1
R405	C-CARBON R	RN72K1J-224JE	1	435032244R1
R406	C-CARBON R	RN72K1J-224JE	1	435032244R1
R407	C-CARBON R	RN72K1J-122JE	1	435031224R1
R408	C-CARBON R	RN72K1J-122JE	1	435031224R1
R409	C-CARBON R	RN72K1J-564JE	1	435035644R1
R410	C-CARBON R	RN72K1J-564JE	1	435035644R1
R411	C-CARBON R	RN72K1J-473JE	1	435034734R1
R412	C-CARBON R	RN72K1J-473JE	1	435034734R1
R413	C-CARBON R	RN72K1J-122JE	1	435031224R1
R414	C-CARBON R	RN72K1J-122JE	1	435031224R1
R415	C-CARBON R	RN72K1J-821JE	1	435038214R1
R416	C-CARBON R	RN72K1J-821JE	1	435038214R1
R417	C-CARBON R	RN72K1J-224JE	1	435032244R1
R418	C-CARBON R	RN72K1J-224JE	1	435032244R1
R419	NF CARBON R	R25J-22	1	415472204T
R420	NF CARBON R	R25J-22	1	415472204T
R421	C-CARBON R	RN72K1J-331JE	1	435033314R1
R422	C-CARBON R	RN72K1J-331JE	1	435033314R1
R423	C-CARBON R	RN72K1J-104JE	1	435031044R1
R424	C-CARBON R	RN72K1J-104JE	1	435031044R1
R425	C-CARBON R	RN72K1J-331JE	1	435033314R1
R426	C-CARBON R	RN72K1J-331JE	1	435033314R1
R427	C-CARBON R	RN72K1J-104JE	1	435031044R1
R428	C-CARBON R	RN72K1J-104JE	1	435031044R1
R429	C-CARBON R	RN72K1J-331JE	1	435033314R1
R430	C-CARBON R	RN72K1J-331JE	1	435033314R1
R431	C-CARBON R	RN72K1J-104JE	1	435031044R1
R432	C-CARBON R	RN72K1J-104JE	1	435031044R1
R433	C-CARBON R	RN72K1J-331JE	1	435033314R1

R434	C-CARBON R	RN72K1J-331JE	1	435033314R1
R435	C-CARBON R	RN72K1J-104JE	1	435031044R1
R436	C-CARBON R	RN72K1J-104JE	1	435031044R1
R437	C-CARBON R	RN72K1J-331JE	1	435033314R1
R438	C-CARBON R	RN72K1J-331JE	1	435033314R1
R439	C-CARBON R	RN72K1J-224JE	1	435032244R1
R440	C-CARBON R	RN72K1J-224JE	1	435032244R1
R442	C-CARBON R	RN72K1J-471JE	1	435034714R1
R450	C-CARBON R	RN72K1J-103JE	1	435031034R1
R451	C-CARBON R	RN72K1J-103JE	1	435031034R1
R452	C-CARBON R	RN72K1J-103JE	1	435031034R1
R453	C-CARBON R	RN72K1J-103JE	1	435031034R1
R454	C-CARBON R	RN72K1J-103JE	1	435031034R1
R455	C-CARBON R	RN72K1J-682JE	1	435036824R1
R456	C-CARBON R	RN72K1J-272JE	1	435032724R1
R457	C-CARBON R	RN72K1J-682JE	1	435036824R1
R458	C-CARBON R	RN72K1J-224JE	1	435032244R1
R459	C-CARBON R	RN72K1J-102JE	1	435031024R1
R460	C-CARBON R	RN72K1J-223JE	1	435032234R1
R461	C-CARBON R	RN72K1J-101JE	1	435031014R1
R462	C-CARBON R	RN72K1J-224JE	1	435032244R1
R463	C-CARBON R	RN72K1J-224JE	1	435032244R1
R465	C-CARBON R	RN72K1J-101JE	1	435031014R1
R466	C-CARBON R	RN72K1J-101JE	1	435031014R1
R467	METAL R	RNU1WCJ-6.8	1	453630684T
R470	C-CARBON R	RN72K1J-000JE	1	435030004R1
R480	C-CARBON R	RN72K1J-000JE	1	435030004R1
R501	CARBON R	R16J-4.7K	1	417344724T
R502	CARBON R	R16J-4.7K	1	417344724T
R503	CARBON R	R16J-56K	1	417345634T
R504	CARBON R	R16J-56K	1	417345634T
R505	CARBON R	R16J-330	1	417343314T
R506	CARBON R	R16J-330	1	417343314T
R507	CARBON R	R16J-220	1	417342214T
R508	CARBON R	R16J-220	1	417342214T
R509	CARBON R	R16J-220	1	417342214T
R510	CARBON R	R16J-220	1	417342214T
R511	CARBON R	R16J-6.8K	1	417346824T
R512	CARBON R	R16J-6.8K	1	417346824T
R513	CARBON R	R16J-120K	1	417341244T
R514	CARBON R	R16J-120K	1	417341244T
R515	CARBON R	R16J-1.8K	1	417341824T

R516	CARBON R	R16J-1.8K	1	417341824T
R517	CARBON R	R16J-1K	1	417341024T
R518	CARBON R	R16J-1K	1	417341024T
R519	CARBON R	R16J-1K	1	417341024T
R520	CARBON R	R16J-1K	1	417341024T
R521	METAL O R	RS1/2WBJ-82	1	443528204T
R522	METAL O R	RS1/2WBJ-82	1	443528204T
R523	METAL O R	RS1/2WBJ-82	1	443528204T
R524	METAL O R	RS1/2WBJ-82	1	443528204T
R525	METAL O R	RS1/2WBJ-82	1	443528204T
R526	METAL O R	RS1/2WBJ-82	1	443528204T
R527	METAL O R	RS1/2WBJ-82	1	443528204T
R528	METAL O R	RS1/2WBJ-82	1	443528204T
R529	METAL O R	RS1/2WBJ-47	1	443524704T
R530	METAL O R	RS1/2WBJ-47	1	443524704T
R531	CARBON R	R16J-18K	1	417341834T
R532	CARBON R	R16J-18K	1	417341834T
R533	CARBON R	R16J-120K	1	417341244T
R534	CARBON R	R16J-120K	1	417341244T
R535	CARBON R	R16J-18K	1	417341834T
R536	CARBON R	R16J-18K	1	417341834T
R537	CARBON R	R16J-100K	1	417341044T
R538	CARBON R	R16J-100K	1	417341044T
R539	CARBON R	R16J-10	1	417341004T
R540	CARBON R	R16J-10	1	417341004T
R541	CARBON R	R16J-10	1	417341004T
R542	CARBON R	R16J-10	1	417341004T
R543	METAL O R	RS1/2WBJ-68	1	443526804T
R544	METAL O R	RS1/2WBJ-68	1	443526804T
R545	C-CARBON R	RN72K1J-103JE	1	435031034R1
R546	C-CARBON R	RN72K1J-103JE	1	435031034R1
R547	METAL PR	MPR5W+5W 0R22	1	4000233
R548	METAL PR	MPR5W+5W 0R22	1	4000233
R551	CARBON R	R16J-33K	1	417343334T
R552	CARBON R	R16J-33K	1	417343334T
R553	C-CARBON R	RN72K1J-103JE	1	435031034R1
R554	C-CARBON R	RN72K1J-103JE	1	435031034R1
R555	C-CARBON R	RN72K1J-121JE	1	435031214R1
R556	C-CARBON R	RN72K1J-121JE	1	435031214R1
R561	CARBON R	R16J-1.8K	1	417341824T
R562	CARBON R	R16J-1.8K	1	417341824T
R563	CARBON R	R16J-100K	1	417341044T

R564	CARBON R	R16J-100K	1	417341044T
R568	METAL O R	RS1WBJ-220	1	443622214T
R569	METAL O R	RS1WBJ-220	1	443622214T
R570	METAL O R	RS1WBJ-470	1	443624714T
R571	METAL O R	RS1WBJ-470	1	443624714T
R575	C-CARBON R	RN72K1J-000JE	1	435030004R1
R577	C-CARBON R	RN72K1J-000JE	1	435030004R1
R579	C-CARBON R	RN72K1J-563JE	1	435035634R1
R580	C-CARBON R	RN72K1J-563JE	1	435035634R1
R581	CARBON R	R16J-4.7K	1	417344724T
R582	CARBON R	R16J-4.7K	1	417344724T
R583	C-CARBON R	RN72K1J-332JE	1	435033324R1
R584	C-CARBON R	RN72K1J-332JE	1	435033324R1
R585	C-CARBON R	RN72K1J-222JE	1	435032224R1
R586	C-CARBON R	RN72K1J-222JE	1	435032224R1
R587	TRIM R	N06HR1KBC	1	5210389T
R588	TRIM R	N06HR1KBC	1	5210389T
R589	C-CARBON R	RN72K1J-272JE	1	435032724R1
R590	C-CARBON R	RN72K1J-272JE	1	435032724R1
R591	NF CARBON R	R25J-10	1	415471004T
R592	NF CARBON R	R25J-10	1	415471004T
R593	NF CARBON R	R25J-120	1	415471214T
R594	NF CARBON R	R25J-120	1	415471214T
R595	NF CARBON R	R25J-120	1	415471214T
R596	NF CARBON R	R25J-120	1	415471214T
R597	NF CARBON R	R25J-15	1	415471504T
R598	NF CARBON R	R25J-15	1	415471504T
R599	NF CARBON R	R25J-15	1	415471504T
R600	NF CARBON R	R25J-15	1	415471504T
R601	NF CARBON R	R25J-2.2	1	415470224T
R602	NF CARBON R	R25J-2.2	1	415470224T
R603	NF CARBON R	R25J-2.2	1	415470224T
R604	NF CARBON R	R25J-2.2	1	415470224T
R606	C-CARBON R	RN72K1J-103JE	1	435031034R1
R607	C-CARBON R	RN72K2E-100JE	1	435221004R1
R608	C-CARBON R	RN72K2E-100JE	1	435221004R1
R609	C-CARBON R	RN72K1J-473JE	1	435034734R1
R610	C-CARBON R	RN72K1J-473JE	1	435034734R1
R613	METAL R	RNU1WCJ-8.2	1	453630824T
R614	METAL R	RNU1WCJ-8.2	1	453630824T
R615	C-CARBON R	RN72K1J-473JE	1	435034734R1
R617	METAL O R	RS1/2WBJ-15	1	443521504T

R618	METAL O R	RS1/2WBJ-15	1	443521504T	
R619	METAL O R	RS1/2WBJ-15	1	443521504T	
R620	METAL O R	RS1/2WBJ-15	1	443521504T	
R623	METAL O R	RS1WBJ-390	1	443623914T	
R624	METAL O R	RS1WBJ-390	1	443623914T	
R625	C-CARBON R	RN72K1J-103JE	1	435031034R1	
R626	C-CARBON R	RN72K1J-333JE	1	435033334R1	
R628	C-CARBON R	RN72K1J-473JE	1	435034734R1	
R629	C-CARBON R	RN72K1J-224JE	1	435032244R1	
R630	C-CARBON R	RN72K1J-224JE	1	435032244R1	
R631	C-CARBON R	RN72K1J-000JE	1	435030004R1	
R632	C-CARBON R	RN72K1J-103JE	1	435031034R1	
R640	CARBON R	R16J-22K	1	417342234T	
R915	NF CARBON R	R25J-2.2	1	415470224T	
R916	METAL O R	RS2WBJ-470	1	442724714F	
R951	METAL O R	RS1/2WBJ-47	1	443524704T	
R952	METAL O R	RS1/2WBJ-330	1	443523314T	
R953	METAL O R	RS1/2WBJ-330	1	443523314T	
R954	C-CARBON R	RN72K1J-393JE	1	435033934R1	
R955	C-CARBON R	RN72K1J-273JE	1	435032734R1	
R956	C-CARBON R	RN72K1J-562JE	1	435035624R1	
R971	C-CARBON R	RN72K1J-223JE	1	435032234R1	
R972	C-CARBON R	RN72K1J-223JE	1	435032234R1	
R973	C-CARBON R	RN72K1J-223JE	1	435032234R1	
R974	C-CARBON R	RN72K1J-223JE	1	435032234R1	
R975	C-CARBON R	RN72K1J-223JE	1	435032234R1	
R976	C-CARBON R	RN72K1J-223JE	1	435032234R1	
R977	C-CARBON R	RN72K1J-223JE	1	435032234R1	
R978	C-CARBON R	RN72K1J-223JE	1	435032234R1	
R979	C-CARBON R	RN72K1J-223JE	1	435032234R1	
R980	C-CARBON R	RN72K1J-223JE	1	435032234R1	
R981	C-CARBON R	RN72K1J-223JE	1	435032234R1	
R982	C-CARBON R	RN72K1J-000JE	1	435030004R1	
R983	C-CARBON R	RN72K1J-000JE	1	435030004R1	
[SW TRM]					
E7003	TRM-423(SCREW)	NEJITANSI ST3	1	25060495	
F900A	FUSE HOL	NSCT-1P2031	1	25052133T	!
F900B	FUSE HOL	NSCT-1P2031	1	25052133T	!
F902A	FUSE HOL	NSCT-1P2031	1	25052133T	!
F902B	FUSE HOL	NSCT-1P2031	1	25052133T	!
F951A	FUSE HOL	NSCT-1P2031	1	25052133T	!
F951B	FUSE HOL	NSCT-1P2031	1	25052133T	!

JL402A	WIRE HOL	NSCT-7P898	1	25051111	
JL402B	WIRE HOL	NSCT-7P898	1	25051111	
JL502A	WIRE HOL	NSCT-5P876	1	25051089	
JL502B	WIRE HOL	NSCT-5P876	1	25051089	
JL505A	WIRE HOL	NSCT-3P874	1	25051087	
JL505B	WIRE HOL	NSCT-3P874	1	25051087	
JL943A	WIRE HOL	NSCT-9P900	1	25051113	
JL943B	WIRE HOL	NSCT-9P900	1	25051113	
P403B	SOCKET	NSCT-23P2116	1	25052219	
P405A	SOCKET	NSCT-3P2183	1	25052286	
P405B	PLUG	NPLG-3P0958	1	25056008	
P411	PIN JACK	NPJ-2PDWR583	1	25045803	
P413	PIN JACK	NPJ-6PDRW665	1	25045894	
P414	ST JACK	MSJ-035-22	1	25045887	
P416	PIN JACK	NPJ-2PDWR583	1	25045803	
P417	PIN JACK	NPJ-1PDB746	1	25045998	N
P422	PIN JACK	NPJ-4PDRW592	1	25045812	
P440B	TRM-423(SCREW)	NEJITANSI ST3	1	25060495	
P451	HOLDER	HOLDER(CLAMP)	1	27190540-1	
P453	HOLDER	HOLDER(CLAMP)	1	27190540-1	
P500	TRM	NTM-4PDMRR426	1	25060500	
P501	TRM	NTM-4PDMRR426	1	25060500	
P511	PLUG	NPLG-2P29	1	25055038	
P512	PLUG	NPLG-2P29	1	25055038	
P520A	CRIMP AS	CRIMP AS	1	2069925200UL	
P7004	ST JACK	MSJ-064-05A SR	1	25045783	
P701B	PLUG	NPLG-7P121	1	25055137	
P710B	SOCKET	NSCT-31P2124	1	25052227	
P901	CRIMP AS	CRIMP AS	1	2069925402UL	
P902B	CRIMP AS	UL1015#18SIN-SVH 400 BLK	1	20799197UL	N
P903	CRIMP AS	CRIMP AS	1	2069925401UL	
P911	RETAINER	(BUS-BAR)	1	27142302	N
P912	RETAINER	(BUS-BAR)	1	27142302	N
P952	PLUG	NPLG-2P631	1	25055675	
P953	PLUG	NPLG-2P631	1	25055675	
P961	TRM-423(SCREW)	NEJITANSI ST3	1	25060495	
P962	TRM-423(SCREW)	NEJITANSI ST3	1	25060495	
RL300	RELAY	NRL-2P2A-DC12-178	1	25065664	
RL500	RELAY	NRL-2P5A-DC24-129	1	25065563A	
RL500 or	RELAY	NRL-2P8A-DC24-144	(1)	25065590	
RL500 or	RELAY	NRL-2P5A-DC24-193	(1)	25065703	
RL501	RELAY	NRL-2P5A-DC24-129	1	25065563A	

RL501 or	RELAY	NRL-2P8A-DC24-144	(1)	25065590	
RL501 or	RELAY	NRL-2P5A-DC24-193	(1)	25065703	
RL900	RELAY	NRL-1P10A-DC12-196	1	25065707	!
RL901	RELAY	NRL-1P10A-DC12-196	1	25065707	!
RL951	RELAY	NRL-1P5A-DC9-179	1	25065669	!
S952	SLIDE SW	NSS-22203	1	25065581	
S953	SLIDE SW	NSS-22203	1	25065581	

U002

BADIS-1268-1B

CIRCUIT NO	PART NAME	DESCRIPTION	Q'TY	PART NO. (SN)	REMARKS
[SEMI CONDUCTOR]					
D7001	C-DIODE	KDS4148U	1	223283R2	
D7001 or	C-DIODE	1SS352	(1)	223234R2	
D7001 or	C-DIODE	1SS355	(1)	223269R2	
D7002	C-DIODE	KDS4148U	1	223283R2	
D7002 or	C-DIODE	1SS352	(1)	223234R2	
D7002 or	C-DIODE	1SS355	(1)	223269R2	
D7005	LED	SCB3318E-D2	1	225487	
D7005A	HOLDER	(LED-LH5-2)	1	27191336	
D7006	LED	SCB3318E-D2	1	225487	
D7006A	HOLDER	(LED-LH5-2)	1	27191336	
D7012	LED	SCB3318E-D2	1	225487	
D7012A	HOLDER	(LED-LH5-2)	1	27191336	
D7013	LED	SCB3318E-D2	1	225487	
D7013A	HOLDER	(LED-LH5-2)	1	27191336	
D7014	LED	SCPW3618E-D2	1	225495	
D7014A	HOLDER	(LED-LH5-2)	1	27191336	
D7015	LED	SCPW3618E-D2	1	225495	
D7015A	HOLDER	(LED-LH5-2)	1	27191336	
D7016	LED	SCPW3618E-D2	1	225495	
D7016A	HOLDER	(LED-LH5-2)	1	27191336	
D7017	LED	SCB3318E-D2	1	225487	
D7017A	HOLDER	(LED-LH5-2)	1	27191336	
D7018	LED	SCB3318E-D2	1	225487	
D7018A	HOLDER	(LED-LH5-2)	1	27191336	
D7019	LED	SCB3318E-D2	1	225487	
D7019A	HOLDER	(LED-LH5-2)	1	27191336	
D7020	LED	SCB3318E-D2	1	225487	

D7020A	HOLDER	(LED-LH5-2)	1	27191336
D7021	LED	SCB3318E-D2	1	225487
D7021A	HOLDER	(LED-LH5-2)	1	27191336
D7022	LED	SCB3318E-D2	1	225487
D7022A	HOLDER	(LED-LH5-2)	1	27191336
Q7001	IC	S-812C33AUA-C2N	1	22242222R2
Q7002	TR	KRA102S	1	2216220R2
Q7002 or	TR	RN2402	(1)	2214530R2
Q7002 or	TR	DTA114EKA	(1)	2217050R2
Q7003	TR	KRA102S	1	2216220R2
Q7003 or	TR	RN2402	(1)	2214530R2
Q7003 or	TR	DTA114EKA	(1)	2217050R2
Q7004	IC	TA4805BF(TE16L_NQ)	1	22278005DBR2TO
Q7005	TR	KRC102S	1	2216190R2
Q7005 or	TR	RN1402	(1)	2214470R2
Q7005 or	TR	DTC114EKA	(1)	2216250R2
Q7006	IC (Main)	R5F212A7SNFA (0601)	1	222W0099R306010
Q7007	TR	KRC102S	1	2216190R2
Q7007 or	TR	RN1402	(1)	2214470R2
Q7007 or	TR	DTC114EKA	(1)	2216250R2
Q7008	TR	KRA107S	1	2216350R2
Q7008 or	TR	RN2407(TE85L_F)	(1)	2216360R2
Q7008 or	TR	DTA114YKA	(1)	2216480R2
Q7010	TR	KRA107S	1	2216350R2
Q7010 or	TR	RN2407(TE85L_F)	(1)	2216360R2
Q7010 or	TR	DTA114YKA	(1)	2216480R2
Q7011	TR	KRC102S	1	2216190R2
Q7011 or	TR	RN1402	(1)	2214470R2
Q7011 or	TR	DTC114EKA	(1)	2216250R2
Q7012	TR	KRC105S	1	2217290R2
Q7012 or	TR	RN1405	(1)	2214500R2
Q7012 or	TR	DTC123JKA	(1)	2216690R2
Q7013	TR	KRC105S	1	2217290R2
Q7013 or	TR	RN1405	(1)	2214500R2
Q7013 or	TR	DTC123JKA	(1)	2216690R2
Q7014	IC	S-812C50AUA-C3E	1	22242240R2
Q7015	IC	S-812C33AUA-C2N	1	22242222R2
Q7016	IC	RIEX24016ASAS0A	1	22242675R2
Q7017	TR	KRC102S	1	2216190R2
Q7017 or	TR	RN1402	(1)	2214470R2
Q7017 or	TR	DTC114EKA	(1)	2216250R2
Q7018	TR	KRA103S	1	2216230R2

Q7018 or	TR	RN2403	(1)	2214540R2	
Q7019	IC	TA7291SG(O,M)	1	22240239A	N
Q7019 or	IC	TA7291SG(5_J)	(1)	22240239	
Q7020	TR	KRC102S	1	2216190R2	
Q7020 or	TR	RN1402	(1)	2214470R2	
Q7020 or	TR	DTC114EKA	(1)	2216250R2	
Q7021	TR	KRA103S	1	2216230R2	
Q7021 or	TR	RN2403	(1)	2214540R2	
Q7022	TR ARRAY	UPA672T	1	226067R2	
Q7023	IC	BU2090F-E2	1	22242686R2	
Q7024	REMO SENS	KSM-603TH5B	1	24130020	
[TRANS COIL]					
L7001	CHOKO COIL	LBC2518T470M	1	231364M470R2	
L7002	EMIFIL	BK1608LM182-T	1	230958R1	
L7003	EMIFIL	BK1608LM182-T	1	230958R1	
L7004	EMIFIL	BK1608LM182-T	1	230958R1	
X7001	CERA LOCK	CSTLS16M0X51-A0	1	3010412T	
[CAPACITOR]					
C7001	ELECT C	CE04W6.3V-220M	1	355722219T	
C7002	C-CERA C	CC725CH1H-102J1	1	342101024R1	
C7003	C-CERA C	CK725B1H-102K1	1	332101025R1	
C7004	C-CERA C	CK725B1H-102K1	1	332101025R1	
C7005	C-CERA C	CC725CH1H-102J1	1	342101024R1	
C7006	C-CERA C	CK725F1E-104Z1	1	332161040R1	
C7007	C-CERA C	CK725F1E-104Z1	1	332161040R1	
C7009	C-CERA C	CC725CH1H-102J1	1	342101024R1	
C7010	C-CERA C	CK725F1E-104Z1	1	332161040R1	
C7011	C-CERA C	CK725F1E-104Z1	1	332161040R1	
C7012	C-CERA C	CK725F1E-104Z1	1	332161040R1	
C7013	ELECT C	CE04W50V-22M	1	355782209T	
C7014	ELECT C	CE04W16V-100M	1	355741019T	
C7015	C-CERA C	CK725F1E-104Z1	1	332161040R1	
C7016	C-CERA C	CK725F1E-104Z1	1	332161040R1	
C7017	C-CERA C	CK725F1E-104Z1	1	332161040R1	
C7018	C-CERA C	CK725F1E-104Z1	1	332161040R1	
C7021	C-CERA C	CK725F1E-104Z1	1	332161040R1	
C7024	C-CERA C	CK725F1E-104Z1	1	332161040R1	
C7025	C-CERA C	CC725CH1H-102J1	1	342101024R1	
C7026	C-CERA C	CC725CH1H-102J1	1	342101024R1	
C7027	C-CERA C	CK725F1E-104Z1	1	332161040R1	
C7028	ELECT C	CE04W16V-47M(S)	1	353744709T	
C7029	C-CERA C	CK725F1E-104Z1	1	332161040R1	

C7030	ELECT C	CE04W16V-47M(S)	1	353744709T
C7031	ELECT C	CE04W16V-47M(S)	1	353744709T
C7036	C-CERA C	CC725CH1H-101J1	1	342101014R1
C7037	C-CERA C	CC725CH1H-101J1	1	342101014R1
C7038	C-CERA C	CK725B1H-223K1	1	332102235R1
C7039	C-CERA C	CC725CH1H-102J1	1	342101024R1
C7040	C-CERA C	CC725CH1H-102J1	1	342101024R1
C7041	C-CERA C	CK725F1E-104Z1	1	332161040R1
C7042	C-CERA C	CK725B1H-223K1	1	332102235R1
C7045	C-CERA C	CK725B1H-223K1	1	332102235R1
C7046	C-CERA C	CK725B1H-223K1	1	332102235R1
C7047	C-CERA C	CC725CH1H-101J1	1	342101014R1
C7048	C-CERA C	CC725CH1H-101J1	1	342101014R1
C7049	C-CERA C	CK725B1H-223K1	1	332102235R1
C7050	C-CERA C	CK732B16V-106K	1	332071065R2
C7051	C-CERA C	CK725B1H-223K1	1	332102235R1
C7052	C-CERA C	CK725B1H-223K1	1	332102235R1
C7053	C-CERA C	CK725B1H-223K1	1	332102235R1
C7054	C-CERA C	CK725B1H-223K1	1	332102235R1
C7055	C-CERA C	CK725B1H-223K1	1	332102235R1
C7056	C-CERA C	CC725CH1H-102J1	1	342101024R1
C7057	C-CERA C	CK725B1H-223K1	1	332102235R1
C7058	C-CERA C	CK725B1H-223K1	1	332102235R1
C7059	C-CERA C	CC725CH1H-102J1	1	342101024R1
C7060	ELECT C	CE04W16V-100M	1	355741019T
C7061	C-CERA C	CC725CH1H-221J1	1	342102214R1
C7062	C-CERA C	CC725CH1H-221J1	1	342102214R1
C7063	C-CERA C	CC725CH1H-102J1	1	342101024R1
C7070	C-CERA C	CK725F1E-104Z1	1	332161040R1
C7071	C-CERA C	CC725CH1H-102J1	1	342101024R1
C7073	C-CERA C	CK725F1E-104Z1	1	332161040R1
C7074	C-CERA C	CC725CH1H-102J1	1	342101024R1
C7075	C-CERA C	CC725CH1H-102J1	1	342101024R1
C7076	C-CERA C	CC725CH1H-102J1	1	342101024R1
C7078	C-CERA C	CC725CH1H-102J1	1	342101024R1
C7079	C-CERA C	CK725F1E-104Z1	1	332161040R1
[RESISTOR]				
R7001	C-CARBON R	RN72K1J-104JE	1	435031044R1
R7002	C-CARBON R	RN72K1J-102JE	1	435031024R1
R7003	C-CARBON R	RN72K1J-272JE	1	435032724R1
R7004	C-CARBON R	RN72K1J-102JE	1	435031024R1
R7005	C-CARBON R	RN72K1J-104JE	1	435031044R1

R7006	C-CARBON R	RN72K1J-224JE	1	435032244R1
R7007	C-CARBON R	RN72K1J-102JE	1	435031024R1
R7008	C-CARBON R	RN72K1J-470JE	1	435034704R1
R7009	C-CARBON R	RN72K1J-470JE	1	435034704R1
R7011	C-CARBON R	RN72K1J-470JE	1	435034704R1
R7012	C-CARBON R	RN72K1J-470JE	1	435034704R1
R7014	C-CARBON R	RN72K1J-470JE	1	435034704R1
R7015	C-CARBON R	RN72K1J-470JE	1	435034704R1
R7016	C-CARBON R	RN72K1J-470JE	1	435034704R1
R7017	C-CARBON R	RN72K1J-102JE	1	435031024R1
R7018	C-CARBON R	RN72K1J-473JE	1	435034734R1
R7022	C-CARBON R	RN72K1J-473JE	1	435034734R1
R7024	C-CARBON R	RN72K1J-102JE	1	435031024R1
R7025	C-CARBON R	RN72K1J-102JE	1	435031024R1
R7026	C-CARBON R	RN72K1J-272JE	1	435032724R1
R7027	C-CARBON R	RN72K1J-272JE	1	435032724R1
R7028	C-CARBON R	RN72K1J-103JE	1	435031034R1
R7029	C-CARBON R	RN72K1J-473JE	1	435034734R1
R7031	C-CARBON R	RN72K1J-102JE	1	435031024R1
R7033	C-CARBON R	RN72K1J-102JE	1	435031024R1
R7034	C-CARBON R	RN72K1J-102JE	1	435031024R1
R7035	C-CARBON R	RN72K1J-470JE	1	435034704R1
R7036	C-CARBON R	RN72K1J-470JE	1	435034704R1
R7037	C-CARBON R	RN72K1J-470JE	1	435034704R1
R7039	C-CARBON R	RN72K1J-470JE	1	435034704R1
R7040	C-CARBON R	RN72K1J-470JE	1	435034704R1
R7041	C-CARBON R	RN72K1J-470JE	1	435034704R1
R7042	C-CARBON R	RN72K1J-470JE	1	435034704R1
R7045	C-CARBON R	RN72K1J-473JE	1	435034734R1
R7046	C-CARBON R	RN72K1J-470JE	1	435034704R1
R7047	C-CARBON R	RN72K1J-470JE	1	435034704R1
R7048	C-CARBON R	RN72K1J-470JE	1	435034704R1
R7049	C-CARBON R	RN72K1J-272JE	1	435032724R1
R7051	C-CARBON R	RN72K1J-470JE	1	435034704R1
R7053	C-CARBON R	RN72K1J-470JE	1	435034704R1
R7054	C-CARBON R	RN72K1J-470JE	1	435034704R1
R7055	C-CARBON R	RN72K1J-470JE	1	435034704R1
R7056	C-CARBON R	RN72K1J-470JE	1	435034704R1
R7057	C-CARBON R	RN72K1J-221JE	1	435032214R1
R7058	C-CARBON R	RN72K1J-221JE	1	435032214R1
R7059	C-CARBON R	RN72K1J-470JE	1	435034704R1
R7060	C-CARBON R	RN72K1J-470JE	1	435034704R1

R7061	C-CARBON R	RN72K1J-470JE	1	435034704R1
R7063	C-CARBON R	RN72K1J-103JE	1	435031034R1
R7064	C-CARBON R	RN72K1J-101JE	1	435031014R1
R7069	C-CARBON R	RN72K1J-224JE	1	435032244R1
R7070	C-CARBON R	RN72K1J-470JE	1	435034704R1
R7071	C-CARBON R	RN72K1J-101JE	1	435031014R1
R7072	C-CARBON R	RN72K1J-470JE	1	435034704R1
R7075	C-CARBON R	RN72K1J-470JE	1	435034704R1
R7076	C-CARBON R	RN72K1J-470JE	1	435034704R1
R7077	C-CARBON R	RN72K1J-272JE	1	435032724R1
R7078	C-CARBON R	RN72K1J-272JE	1	435032724R1
R7079	C-CARBON R	RN72K1J-470JE	1	435034704R1
R7080	C-CARBON R	RN72K1J-470JE	1	435034704R1
R7081	C-CARBON R	RN72K1J-331JE	1	435033314R1
R7082	C-CARBON R	RN72K1J-470JE	1	435034704R1
R7083	C-CARBON R	RN72K1J-331JE	1	435033314R1
R7084	C-CARBON R	RN72K1J-331JE	1	435033314R1
R7085	C-CARBON R	RN72K1J-331JE	1	435033314R1
R7086	C-CARBON R	RN72K1J-101JE	1	435031014R1
R7087	C-CARBON R	RN72K1J-470JE	1	435034704R1
R7088	C-CARBON R	RN72K1J-470JE	1	435034704R1
R7089	C-CARBON R	RN72K1J-470JE	1	435034704R1
R7090	C-CARBON R	RN72K1J-470JE	1	435034704R1
R7092	C-CARBON R	RN72K1J-473JE	1	435034734R1
R7093	C-CARBON R	RN72K1J-331JE	1	435033314R1
R7094	C-CARBON R	RN72K1J-473JE	1	435034734R1
R7095	C-CARBON R	RN72K1J-222JE	1	435032224R1
R7096	C-CARBON R	RN72K1J-222JE	1	435032224R1
R7097	C-CARBON R	RN72K1J-104JE	1	435031044R1
R7098	VARI R	N11RLC20KB27Z	1	5121553
R7099	C-CARBON R	RN72K1J-102JE	1	435031024R1
R7100	C-CARBON R	RN72K1J-271JE	1	435032714R1
R7101	C-CARBON R	RN72K1J-000JE	1	435030004R1
R7102	C-CARBON R	RN72K1J-221JE	1	435032214R1
R7103	C-CARBON R	RN72K1J-474JE	1	435034744R1
R7104	C-CARBON R	RN72K1J-104JE	1	435031044R1
R7105	C-CARBON R	RN72K1J-221JE	1	435032214R1
R7106	C-CARBON R	RN72K1J-222JE	1	435032224R1
R7107	C-CARBON R	RN72K1J-222JE	1	435032224R1
R7108	VARI R	N11RLC20KB27Z	1	5121553
R7109	C-CARBON R	RN72K1J-102JE	1	435031024R1
R7110	C-CARBON R	RN72K1J-221JE	1	435032214R1

R7111	C-CARBON R	RN72K1J-221JE	1	435032214R1
R7112	C-CARBON R	RN72K1J-102JE	1	435031024R1
R7113	C-CARBON R	RN72K1J-474JE	1	435034744R1
R7114	C-CARBON R	RN72K1J-474JE	1	435034744R1
R7115	C-CARBON R	RN72K1J-471JE	1	435034714R1
R7116	C-CARBON R	RN72K1J-471JE	1	435034714R1
R7117	C-CARBON R	RN72K1J-471JE	1	435034714R1
R7118	C-CARBON R	RN72K1J-471JE	1	435034714R1
R7119	C-CARBON R	RN72K1J-471JE	1	435034714R1
R7120	C-CARBON R	RN72K1J-471JE	1	435034714R1
R7121	C-CARBON R	RN72K1J-471JE	1	435034714R1
R7122	C-CARBON R	RN72K1J-471JE	1	435034714R1
R7123	C-CARBON R	RN72K1J-471JE	1	435034714R1
R7124	VARI R	N16RGL20KB25M	1	5142522
R7125	VARI R	N11RLC20KB27Z	1	5121553
R7126	C-CARBON R	RN72K1J-102JE	1	435031024R1
R7127	C-CARBON R	RN72K1J-474JE	1	435034744R1
R7128	C-CARBON R	RN72K1J-101JE	1	435031014R1
R7129	C-CARBON R	RN72K1J-331JE	1	435033314R1
R7130	C-CARBON R	RN72K1J-563JE	1	435035634R1
R7131	C-CARBON R	RN72K1J-102JE	1	435031024R1
R7132	C-CARBON R	RN72K1J-563JE	1	435035634R1
R7133	C-CARBON R	RN72K1J-331JE	1	435033314R1
R7134	C-CARBON R	RN72K1J-472JE	1	435034724R1
R7135	C-CARBON R	RN72K1J-472JE	1	435034724R1
R7140	C-CARBON R	RN72K1J-103JE	1	435031034R1
R7144	C-CARBON R	RN72K1J-473JE	1	435034734R1
R7155	C-CARBON R	RN72K1J-473JE	1	435034734R1
R7156	C-CARBON R	RN72K1J-473JE	1	435034734R1
R7157	C-CARBON R	RN72K1J-332JE	1	435033324R1
R7200	C-CARBON R	RN72K1J-000JE	1	435030004R1
R7201	C-CARBON R	RN72K1J-000JE	1	435030004R1
R7202	C-CARBON R	RN72K1J-000JE	1	435030004R1
R7203	C-CARBON R	RN72K1J-000JE	1	435030004R1
R7204	C-CARBON R	RN72K1J-000JE	1	435030004R1
R7205	C-CARBON R	RN72K1J-000JE	1	435030004R1
R7206	C-CARBON R	RN72K1J-000JE	1	435030004R1
R7207	C-CARBON R	RN72K1J-000JE	1	435030004R1
R7208	C-CARBON R	RN72K1J-000JE	1	435030004R1
R7209	C-CARBON R	RN72K1J-000JE	1	435030004R1
R7210	C-CARBON R	RN72K1J-000JE	1	435030004R1
R7211	C-CARBON R	RN72K1J-000JE	1	435030004R1

R7212	C-CARBON R	RN72K1J-000JE	1	435030004R1
R7213	C-CARBON R	RN72K1J-000JE	1	435030004R1
R7214	C-CARBON R	RN72K1J-000JE	1	435030004R1
R7215	C-CARBON R	RN72K1J-000JE	1	435030004R1
R7217	C-CARBON R	RN72K1J-000JE	1	435030004R1
R7219	C-CARBON R	RN72K1J-000JE	1	435030004R1
R7220	C-CARBON R	RN72K1J-000JE	1	435030004R1
R7221	C-CARBON R	RN72K1J-000JE	1	435030004R1
R7222	C-CARBON R	RN72K1J-000JE	1	435030004R1
R7223	C-CARBON R	RN72K1J-000JE	1	435030004R1
R7224	C-CARBON R	RN72K1J-000JE	1	435030004R1
R7225	C-CARBON R	RN72K1J-000JE	1	435030004R1
R7226	C-CARBON R	RN72K1J-000JE	1	435030004R1
R7227	C-CARBON R	RN72K1J-000JE	1	435030004R1
R7228	C-CARBON R	RN72K1J-000JE	1	435030004R1
R7229	C-CARBON R	RN72K1J-000JE	1	435030004R1
R7230	C-CARBON R	RN72K1J-000JE	1	435030004R1
R7232	C-CARBON R	RN72K1J-000JE	1	435030004R1
R7233	C-CARBON R	RN72K1J-000JE	1	435030004R1
R7234	C-CARBON R	RN72K1J-000JE	1	435030004R1
R7235	C-CARBON R	RN72K1J-000JE	1	435030004R1
R7236	C-CARBON R	RN72K1J-000JE	1	435030004R1
R7237	C-CARBON R	RN72K1J-000JE	1	435030004R1
R7241	C-CARBON R	RN72K1J-000JE	1	435030004R1
R7242	C-CARBON R	RN72K1J-000JE	1	435030004R1
R7244	C-CARBON R	RN72K1J-000JE	1	435030004R1
R7245	C-CARBON R	RN72K1J-000JE	1	435030004R1
R7246	C-CARBON R	RN72K1J-000JE	1	435030004R1
R7247	C-CARBON R	RN72K1J-000JE	1	435030004R1
R7248	C-CARBON R	RN72K1J-000JE	1	435030004R1
R7249	C-CARBON R	RN72K1J-000JE	1	435030004R1
R7250	C-CARBON R	RN72K1J-000JE	1	435030004R1
R7252	C-CARBON R	RN72K1J-000JE	1	435030004R1
R7253	C-CARBON R	RN72K1J-000JE	1	435030004R1
R7254	C-CARBON R	RN72K1J-000JE	1	435030004R1
R7255	C-CARBON R	RN72K1J-000JE	1	435030004R1
R7256	C-CARBON R	RN72K1J-000JE	1	435030004R1
R7257	C-CARBON R	RN72K1J-000JE	1	435030004R1
R7258	C-CARBON R	RN72K1J-000JE	1	435030004R1
R7259	C-CARBON R	RN72K1J-000JE	1	435030004R1
R7260	C-CARBON R	RN72K1J-000JE	1	435030004R1
R7261	C-CARBON R	RN72K1J-000JE	1	435030004R1

R7262	C-CARBON R	RN72K1J-000JE	1	435030004R1	
R7263	C-CARBON R	RN72K1J-000JE	1	435030004R1	
R7264	C-CARBON R	RN72K1J-000JE	1	435030004R1	
R7265	C-CARBON R	RN72K1J-000JE	1	435030004R1	
R7266	C-CARBON R	RN72K1J-000JE	1	435030004R1	
R7267	C-CARBON R	RN72K1J-000JE	1	435030004R1	
R7268	C-CARBON R	RN72K1J-000JE	1	435030004R1	
R7269	C-CARBON R	RN72K1J-000JE	1	435030004R1	
R7270	C-CARBON R	RN72K1J-000JE	1	435030004R1	
R7271	C-CARBON R	RN72K1J-000JE	1	435030004R1	
R7301	C-CARBON R	RN72K1J-000JE	1	435030004R1	
R7302	C-CARBON R	RN72K1J-000JE	1	435030004R1	
R7303	C-CARBON R	RN72K1J-000JE	1	435030004R1	
R7304	C-CARBON R	RN72K1J-000JE	1	435030004R1	
R7305	C-CARBON R	RN72K1J-000JE	1	435030004R1	
R7306	C-CARBON R	RN72K1J-000JE	1	435030004R1	
R7308	C-CARBON R	RN72K1J-000JE	1	435030004R1	
R7309	C-CARBON R	RN72K1J-000JE	1	435030004R1	
R7310	C-CARBON R	RN72K1J-000JE	1	435030004R1	
R7311	C-CARBON R	RN72K1J-000JE	1	435030004R1	
R7312	C-CARBON R	RN72K1J-000JE	1	435030004R1	
R7313	C-CARBON R	RN72K1J-000JE	1	435030004R1	
R7314	C-CARBON R	RN72K1J-000JE	1	435030004R1	
R7315	C-CARBON R	RN72K1J-000JE	1	435030004R1	
[SW TRM]					
A7000	RETAINER	(KNOB)	1	27142298A	N
A7000A	SCREW	3TTB+8B(3BC)	2	838430088GR	
E7001	TRM	NTM-1P232(M1700)	1	25060301	
E7002	TRM	NTM-1P232(M1700)	1	25060301	
E7004	RETAINER	(EARTH)	1	27142227	
E7005	RETAINER	(EARTH)	1	27142227	
P7001A	SOCKET	NSCT-31P2161	1	25052264	
P7002A	SOCKET	NSCT-7P2425	1	25052528	
P7002B	SOCKET	NSCT-7P2398	1	25052501	
P7003	SOCKET	NSCT-9P2243	1	25052346	
P7005	ST JACK	MSJ-035-05A BAG SR LF	1	25045927	
P7011	SOCKET AS	NSAS-6P2069	1	200EE390625UL	N
P7012A	SOCKET AS	NSAS-22P2088	1	2009991279UL	N
P7012B	PLUG	NPLG-11P358	1	25055375	
P7013A	SOCKET AS	NSAS-14P2086	1	2004C391410UL	N
P7013B	PLUG	NPLG-7P354	1	25055371	
P7016	SOCKET AS	NSAS-10P0909	1	200AA391010UL	N

P7017A	SOCKET AS	NSAS-18P2085	1	2004C391810UL	N
P7017B	PLUG	NPLG-9P356	1	25055373	
P7018A	SOCKET AS	NSAS-6P1970	1	2002A380615UL	
P7018B	PLUG	NPLG-3P131	1	25055147	
P701A	SOCKET AS	NSAS-14P2052	1	2003B201415UL	N
S7001	R ENCODE	EVEHC1F2524B	1	25065696W	
S7002	PUSH SW	NPS-111-S681	1	25035718T	
S7003	PUSH SW	NPS-111-S681	1	25035718T	
S7004	PUSH SW	NPS-111-S681	1	25035718T	
S7005	PUSH SW	NPS-111-S681	1	25035718T	

U003

BADG-1269-1A

CIRCUIT NO	PART NAME	DESCRIPTION	Q'TY	PART NO. (SN)	REMARKS
[SEMI CONDUCTOR]					
D7801	ZENER D	UDZS5.6B	1	224550560R2	
D7801 or	ZENER D	MAZ8056-M	(1)	224750562R2	
D7802	ZENER D	UDZS5.6B	1	224550560R2	
D7802 or	ZENER D	MAZ8056-M	(1)	224750562R2	
D7803	ZENER D	UDZS5.6B	1	224550560R2	
D7803 or	ZENER D	MAZ8056-M	(1)	224750562R2	
D7804	ZENER D	UDZS5.6B	1	224550560R2	
D7804 or	ZENER D	MAZ8056-M	(1)	224750562R2	
Q7501	PHT CP	JSR1165-001recieving	1	24120143	
Q7503	IC	74HCU04F	1	222740046R2	
Q7601	IC	PCM9211PTR	1	22242703R2	
Q7701	IC	WM8718SEDS/RV	1	22241991R2	
Q7801	TR	2SA1312-GR(TE85L_F)	1	2216835R2	
Q7802	TR	2SA1312-GR(TE85L_F)	1	2216835R2	
Q7803	TR	2SC3324-GR(TE85L_F)	1	2216825R2	
Q7804	TR	2SC3324-GR(TE85L_F)	1	2216825R2	
Q7805	TR	2SC3324-GR(TE85L_F)	1	2216825R2	
Q7806	TR	2SC3324-GR(TE85L_F)	1	2216825R2	
Q7807	TR	2SA1312-GR(TE85L_F)	1	2216835R2	
Q7808	TR	2SA1312-GR(TE85L_F)	1	2216835R2	
Q7809	TR	2SA1312-GR(TE85L_F)	1	2216835R2	
Q7810	TR	2SA1312-GR(TE85L_F)	1	2216835R2	
Q7811	TR	2SC3324-GR(TE85L_F)	1	2216825R2	
Q7812	TR	2SC3324-GR(TE85L_F)	1	2216825R2	

Q7813	TR	2SA1312-GR(TE85L_F)	1	2216835R2
Q7814	TR	2SA1312-GR(TE85L_F)	1	2216835R2
Q7815	TR	2SC3324-GR(TE85L_F)	1	2216825R2
Q7816	TR	2SC3324-GR(TE85L_F)	1	2216825R2
Q7817	TR	2SC3324-GR(TE85L_F)	1	2216825R2
Q7818	TR	2SC3324-GR(TE85L_F)	1	2216825R2
Q7819	TR	2SA1312-GR(TE85L_F)	1	2216835R2
Q7820	TR	2SA1312-GR(TE85L_F)	1	2216835R2
Q7821	TR	2SA1162-GR	1	2214375R2
Q7821 or	TR	KTA1504-GR	(1)	2216185R2
Q7822	TR	2SA1162-GR	1	2214375R2
Q7822 or	TR	KTA1504-GR	(1)	2216185R2
Q7823	TR	2SC2712-GR	1	2213145R2
Q7823 or	TR	KTC3875-GR	(1)	2216175R2
Q7824	TR	2SC2712-GR	1	2213145R2
Q7824 or	TR	KTC3875-GR	(1)	2216175R2
Q7825	TR	2SC3324-GR(TE85L_F)	1	2216825R2
Q7826	TR	2SC3324-GR(TE85L_F)	1	2216825R2
Q7827	TR	2SC2712-GR	1	2213145R2
Q7827 or	TR	KTC3875-GR	(1)	2216175R2
Q7828	TR	2SC2712-GR	1	2213145R2
Q7828 or	TR	KTC3875-GR	(1)	2216175R2
Q7829	TR	2SA1162-GR	1	2214375R2
Q7829 or	TR	KTA1504-GR	(1)	2216185R2
Q7830	TR	2SA1162-GR	1	2214375R2
Q7830 or	TR	KTA1504-GR	(1)	2216185R2
Q7901	IC	S-812C33AUA-C2N	1	2224222R2
Q7902	IC	78M05(NJM78M05FA)	1	222780055JRC
[TRANS COIL]				
L7501	EMIFIL	BK1608HS102-T	1	230955R2
L7502	CHOKE COIL	LBC2518T470M	1	231364M470R2
L7503	CHOKE COIL	LBC2518T470M	1	231364M470R2
L7511	EMIFIL	BK1608HS102-T	1	230955R2
L7601	CHOKE COIL	LBC2518T4R7M	1	231364M047R2
L7602	CORE	BLM18PG181SN1D	1	2350005R1
L7603	EMIFIL	BK1608LM182-T	1	230958R1
L7604	CORE	MMZ1608Y601BT	1	2350004R1
L7701	CHOKE COIL	LBC2518T4R7M	1	231364M047R2
L7901	CHOKE COIL	LBC2518T4R7M	1	231364M047R2
X7601	CRYSTAL	HC-49S 9C24.5760M	1	3010516R2
[CAPACITOR]				
C7501	UTSP C	CE04W50V-22M(UTSP)	1	397582207T

C7501 or	UTSP C	CE04W50V-22M(UTSP)	(1)	397582207AT
C7502	C-CERA C	CK725F1E-104Z1	1	332161040R1
C7503	C-CERA C	CC725CH1H-080D1	1	342100802R1
C7504	C-CERA C	CK725B0J-106K	1	332091065R2
C7505	UTSP C	CE04W10V-100M(UTSP)	1	397531017AT
C7506	C-CERA C	CK725F1E-104Z1	1	332161040R1
C7511	UTSP C	CE04W50V-22M(UTSP)	1	397582207T
C7511 or	UTSP C	CE04W50V-22M(UTSP)	(1)	397582207AT
C7512	C-CERA C	CK725F1E-104Z1	1	332161040R1
C7513	C-CERA C	CC725CH1H-080D1	1	342100802R1
C7601	UTSP C	CE04W10V-100M(UTSP)	1	397531017AT
C7602	C-CERA C	CK725F1E-104Z1	1	332161040R1
C7603	C-CERA C	CC725CH1H-221J1	1	342102214R1
C7604	C-CERA C	CK725F1E-104Z1	1	332161040R1
C7605	C-CERA C	CC725CH1H-102J1	1	342101024R1
C7606	C-CERA C	CK725B0J-106K	1	332091065R2
C7607	C-CERA C	CC725CH1H-102J1	1	342101024R1
C7608	C-CERA C	CC725CH1H-220J1	1	342102204R1
C7609	C-CERA C	CC725CH1H-180J1	1	342101804R1
C7610	C-CERA C	CK725B1H-472K1	1	332104725R1
C7611	C-CERA C	CK725B1H-473K1	1	332104735R1
C7612	C-CERA C	CK725B1H-223K1	1	332102235R1
C7701	UTSP C	CE04W10V-100M(UTSP)	1	397531017AT
C7702	C-CERA C	CK725F1E-104Z1	1	332161040R1
C7703	UTSP C	CE04W10V-100M(UTSP)	1	397531017AT
C7704	C-FILM C	50ST104MA13216	1	376721047R2
C7705	UTSJ C	CE04W50V-47M(UTSJ)	1	398084707BT
C7706	C-FILM C	50ST104MA13216	1	376721047R2
C7707	UTSP C	CE04W50V-10M(UTSP)	1	397581007T
C7707 or	UTSP C	CE04W50V-10M(UTSP)	(1)	397581007AT
C7708	C-CERA C	CK725F1E-104Z1	1	332161040R1
C7710	C-CERA C	CC725CH1H-102J1	1	342101024R1
C7801	C-FILM C	ECHU50V-152J	1	373021524R2
C7802	C-FILM C	ECHU50V-152J	1	373021524R2
C7803	C-FILM C	ECHU50V-681J	1	373026814R2
C7804	C-FILM C	ECHU50V-681J	1	373026814R2
C7805	C-FILM C	ECHU50V-332J	1	373023324R2
C7806	C-FILM C	ECHU50V-332J	1	373023324R2
C7807	UTSP C	CE04W50V-22M(UTSP)	1	397582207T
C7807 or	UTSP C	CE04W50V-22M(UTSP)	(1)	397582207AT
C7808	UTSP C	CE04W50V-22M(UTSP)	1	397582207T
C7808 or	UTSP C	CE04W50V-22M(UTSP)	(1)	397582207AT

C7809	UTSP C	CE04W50V-22M(UTSP)	1	397582207T
C7809 or	UTSP C	CE04W50V-22M(UTSP)	(1)	397582207AT
C7810	UTSP C	CE04W50V-22M(UTSP)	1	397582207T
C7810 or	UTSP C	CE04W50V-22M(UTSP)	(1)	397582207AT
C7811	UTSP C	CE04W50V-22M(UTSP)	1	397582207T
C7811 or	UTSP C	CE04W50V-22M(UTSP)	(1)	397582207AT
C7812	UTSP C	CE04W50V-22M(UTSP)	1	397582207T
C7812 or	UTSP C	CE04W50V-22M(UTSP)	(1)	397582207AT
C7813	UTSP C	CE04W50V 47M(UTSP)	1	397584707T
C7813 or	UTSP C	CE04W50V 47M(UTSP)	(1)	397584707AT
C7814	UTSP C	CE04W50V 47M(UTSP)	1	397584707T
C7814 or	UTSP C	CE04W50V 47M(UTSP)	(1)	397584707AT
C7815	C-FILM C	ECHU50V-681J	1	373026814R2
C7816	C-FILM C	ECHU50V-681J	1	373026814R2
C7901	UTSP C	CE04W10V-100M(UTSP)	1	397531017AT
C7902	C-CERA C	CK725F1E-104Z1	1	332161040R1
C7903	C-CERA C	CK725F1E-104Z1	1	332161040R1
C7905	UTSP C	CE04W25V-220M(UTSP)	1	397552217T
C7906	UTSP C	CE04W25V-220M(UTSP)	1	397552217T
[RESISTOR]				
R7501	C-CARBON R	RN72K1J-151JE	1	435031514R1
R7502	C-CARBON R	RN72K1J-151JE	1	435031514R1
R7503	C-CARBON R	RN72K1J-121JE	1	435031214R1
R7505	C-CARBON R	RN72K1J-823JE	1	435038234R1
R7506	C-CARBON R	RN72K1J-103JE	1	435031034R1
R7507	C-CARBON R	RN72K1J-470JE	1	435034704R1
R7511	C-CARBON R	RN72K1J-151JE	1	435031514R1
R7512	C-CARBON R	RN72K1J-151JE	1	435031514R1
R7513	C-CARBON R	RN72K1J-121JE	1	435031214R1
R7515	C-CARBON R	RN72K1J-823JE	1	435038234R1
R7516	C-CARBON R	RN72K1J-103JE	1	435031034R1
R7601	C-CARBON R	RN72K1J-470JE	1	435034704R1
R7602	C-CARBON R	RN72K1J-470JE	1	435034704R1
R7603	C-CARBON R	RN72K1J-103JE	1	435031034R1
R7604	C-CARBON R	RN72K1J-103JE	1	435031034R1
R7605	C-CARBON R	RN72K1J-103JE	1	435031034R1
R7606	C-CARBON R	RN72K1J-103JE	1	435031034R1
R7607	C-CARBON R	RN72K1J-103JE	1	435031034R1
R7608	C-CARBON R	RN72K1J-103JE	1	435031034R1
R7609	C-CARBON R	RN72K1J-103JE	1	435031034R1
R7610	C-CARBON R	RN72K1J-103JE	1	435031034R1
R7611	C-CARBON R	RN72K1J-103JE	1	435031034R1

R7612	C-CARBON R	RN72K1J-103JE	1	435031034R1
R7613	C-CARBON R	RN72K1J-103JE	1	435031034R1
R7614	C-CARBON R	RN72K1J-103JE	1	435031034R1
R7615	C-CARBON R	RN72K1J-470JE	1	435034704R1
R7616	C-CARBON R	RN72K1J-470JE	1	435034704R1
R7617	C-CARBON R	RN72K1J-151JE	1	435031514R1
R7618	C-CARBON R	RN72K1J-221JE	1	435032214R1
R7619	C-CARBON R	RN72K1J-221JE	1	435032214R1
R7620	C-CARBON R	RN72K1J-331JE	1	435033314R1
R7621	C-CARBON R	RN72K1J-331JE	1	435033314R1
R7622	C-CARBON R	RN72K1J-331JE	1	435033314R1
R7623	C-CARBON R	RN72K1J-471JE	1	435034714R1
R7624	C-CARBON R	RN72K1J-331JE	1	435033314R1
R7625	C-CARBON R	RN72K1J-331JE	1	435033314R1
R7626	C-CARBON R	RN72K1J-331JE	1	435033314R1
R7628	C-CARBON R	RN72K1J-221JE	1	435032214R1
R7629	C-CARBON R	RN72K1J-681JE	1	435036814R1
R7701	C-CARBON R	RN72K1J-331JE	1	435033314R1
R7702	C-CARBON R	RN72K1J-330JE	1	435033304R1
R7703	C-CARBON R	RN72K1J-331JE	1	435033314R1
R7704	C-CARBON R	RN72K1J-331JE	1	435033314R1
R7705	C-CARBON R	RN72K1J-331JE	1	435033314R1
R7706	C-CARBON R	RN72K1J-331JE	1	435033314R1
R7707	C-CARBON R	RN72K1J-101JE	1	435031014R1
R7708	C-CARBON R	RN72K1J-331JE	1	435033314R1
R7801	C-CARBON R	RN72K1J-222JE	1	435032224R1
R7802	C-CARBON R	RN72K1J-222JE	1	435032224R1
R7803	C-CARBON R	RN72K1J-222JE	1	435032224R1
R7804	C-CARBON R	RN72K1J-222JE	1	435032224R1
R7807	C-CARBON R	RN72K1J-222JE	1	435032224R1
R7808	C-CARBON R	RN72K1J-222JE	1	435032224R1
R7809	C-CARBON R	RN72K1J-122JE	1	435031224R1
R7810	C-CARBON R	RN72K1J-122JE	1	435031224R1
R7811	C-CARBON R	RN72K1J-100JE	1	435031004R1
R7812	C-CARBON R	RN72K1J-100JE	1	435031004R1
R7813	C-CARBON R	RN72K1J-562JE	1	435035624R1
R7814	C-CARBON R	RN72K1J-562JE	1	435035624R1
R7815	C-CARBON R	RN72K1J-562JE	1	435035624R1
R7816	C-CARBON R	RN72K1J-562JE	1	435035624R1
R7817	C-CARBON R	RN72K1J-122JE	1	435031224R1
R7818	C-CARBON R	RN72K1J-122JE	1	435031224R1
R7819	C-CARBON R	RN72K1J-472JE	1	435034724R1

R7820	C-CARBON R	RN72K1J-472JE	1	435034724R1
R7821	C-CARBON R	RN72K1J-331JE	1	435033314R1
R7822	C-CARBON R	RN72K1J-331JE	1	435033314R1
R7823	C-CARBON R	RN72K1J-331JE	1	435033314R1
R7824	C-CARBON R	RN72K1J-331JE	1	435033314R1
R7825	C-CARBON R	RN72K1J-472JE	1	435034724R1
R7826	C-CARBON R	RN72K1J-472JE	1	435034724R1
R7827	C-CARBON R	RN72K1J-821JE	1	435038214R1
R7828	C-CARBON R	RN72K1J-821JE	1	435038214R1
R7829	C-CARBON R	RN72K1J-331JE	1	435033314R1
R7830	C-CARBON R	RN72K1J-331JE	1	435033314R1
R7831	C-CARBON R	RN72K1J-331JE	1	435033314R1
R7832	C-CARBON R	RN72K1J-331JE	1	435033314R1
R7833	C-CARBON R	RN72K1J-821JE	1	435038214R1
R7834	C-CARBON R	RN72K1J-821JE	1	435038214R1
R7835	C-CARBON R	RN72K1J-101JE	1	435031014R1
R7836	C-CARBON R	RN72K1J-101JE	1	435031014R1
R7837	C-CARBON R	RN72K1J-103JE	1	435031034R1
R7838	C-CARBON R	RN72K1J-103JE	1	435031034R1
R7839	C-CARBON R	RN72K1J-103JE	1	435031034R1
R7840	C-CARBON R	RN72K1J-103JE	1	435031034R1
R7841	C-CARBON R	RN72K1J-101JE	1	435031014R1
R7842	C-CARBON R	RN72K1J-101JE	1	435031014R1
R7843	C-CARBON R	RN72K1J-152JE	1	435031524R1
R7844	C-CARBON R	RN72K1J-152JE	1	435031524R1
R7845	C-CARBON R	RN72K1J-561JE	1	435035614R1
R7846	C-CARBON R	RN72K1J-561JE	1	435035614R1
R7847	C-CARBON R	RN72K1J-152JE	1	435031524R1
R7848	C-CARBON R	RN72K1J-152JE	1	435031524R1
R7849	C-CARBON R	RN72K1J-220JE	1	435032204R1
R7850	C-CARBON R	RN72K1J-220JE	1	435032204R1
R7851	C-CARBON R	RN72K1J-220JE	1	435032204R1
R7852	C-CARBON R	RN72K1J-220JE	1	435032204R1
R7853	C-CARBON R	RN72K1J-224JE	1	435032244R1
R7854	C-CARBON R	RN72K1J-224JE	1	435032244R1
R7855	C-CARBON R	RN72K1J-222JE	1	435032224R1
R7856	C-CARBON R	RN72K1J-222JE	1	435032224R1
R7901	METAL O R	RS1WBJ-150	1	443621514T
R7903	C-CARBON R	RN72K1J-220JE	1	435032204R1
R7904	C-CARBON R	RN72K1J-220JE	1	435032204R1
R7905	C-CARBON R	RN72K1J-223JE	1	435032234R1
R7906	C-CARBON R	RN72K1J-223JE	1	435032234R1

R7907	C-CARBON R	RN72K1J-223JE	1	435032234R1
R7908	C-CARBON R	RN72K1J-223JE	1	435032234R1
R7909	C-CARBON R	RN72K1J-223JE	1	435032234R1
R7910	C-CARBON R	RN72K1J-223JE	1	435032234R1
R7911	C-CARBON R	RN72K1J-223JE	1	435032234R1
R7912	C-CARBON R	RN72K1J-223JE	1	435032234R1
[SW TRM]				
P403A	SOCKET	NSCT-23P2116	1	25052219
P7501	PIN JACK	NPJ-2PDO666	1	25045895
P7502	TRM-423(SCREW)	NEJITANSI ST3	1	25060495
S7901	SLIDE SW	NSS-22203	1	25065581
S7902	SLIDE SW	NSS-22203	1	25065581
S7903	SLIDE SW	NSS-22203	1	25065581

ONKYO

Onkyo Corporation

Technical Support, Service Department
2-1, Nisshin-cho, Neyagawa-shi, OSAKA 572-8540, JAPAN
Tel: 072-831-8023 Fax: 072-831-8163

Onkyo U.S.A. Corporation

18 Park Way, Upper Saddle River, N.J. 07458, U.S.A.
Tel: 800-229-1687, 201-785-2600 Fax: 201-785-2650
<http://www.us.onkyo.com/>

Onkyo Europe Electronics GmbH

Liegnitzerstrasse 6, 82194 Groebenzell, GERMANY
Tel: +49-8142-4401-0 Fax: +49-8142-4208-213
<http://www.eu.onkyo.com/>

Onkyo Europe Electronics GmbH (UK Branch)

The Coach House 81A High Street, Marlow, Buckinghamshire, SL7 1AB, UK
Tel: +44-(0)1628-473-350 Fax: +44-(0)1628-401-700

Onkyo China Limited

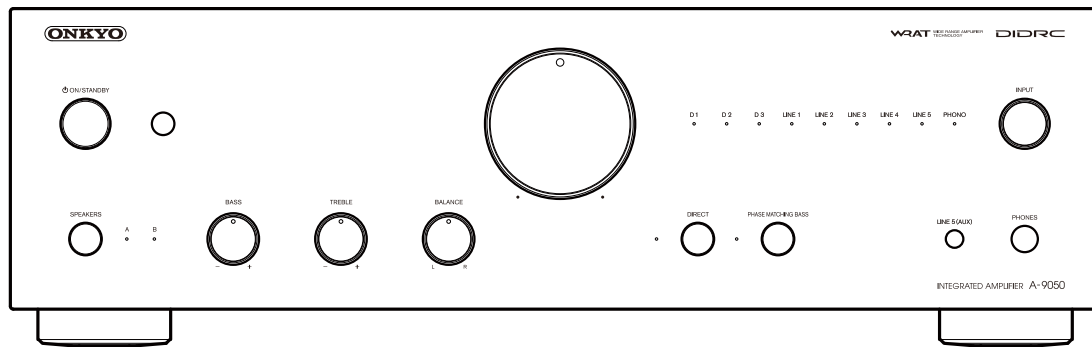
Unit 1033, 10/F, Star House, No 3, Salisbury Road, Tsim Sha Tsui Kowloon, Hong Kong.
Tel: 852-2429-3118 Fax: 852-2428-9039
<http://www.onkyochina.com/>

Onkyo China PRC

1301, 555 Tower, No.555 West NanJin Road, Jin an, Shanghai,
China 200041, Tel: 86-21-52131366 Fax: 86-21-52130396
<http://www.cn.onkyo.com/>

ONKYO® SERVICE MANUAL

Integrated Amplifier MODEL A-9050(B)/(S)

WRAT WIDE RANGE AMPLIFIER
TECHNOLOGY


DIDRC

192kHz
24bit

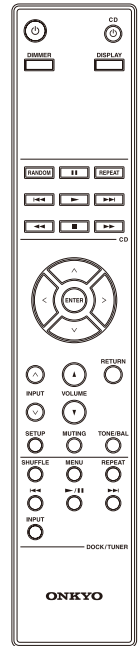
Black and Silver models

B MDC	120V AC, 60Hz
B MPP	230V AC, 50Hz
S MPP	230V AC, 50Hz

SAFETY-RELATED COMPONENT WARNING!!

COMPONENTS IDENTIFIED BY MARK  ON THE SCHEMATIC DIAGRAM AND IN THE PARTS LIST ARE CRITICAL FOR RISK OF FIRE AND ELECTRIC SHOCK. REPLACE THESE COMPONENTS WITH ONKYO PARTS WHOSE PART NUMBERS APPEAR AS SHOWN IN THIS MANUAL.

MAKE LEAKAGE-CURRENT OR RESISTANCE MEASUREMENTS TO DETERMINE THAT EXPOSED PARTS ARE ACCEPTABLY INSULATED FROM THE SUPPLY CIRCUIT BEFORE RETURNING THE APPLIANCE TO THE CUSTOMER.



RC-830S

Onkyo Corporation
Service Department

Service Procedure

4. Setting for shipping
 - 4-1. Initialization of memories

[A-9050, A-9030]
Push PURE DIRECT button and Standby at same time.
 - 4-2. Initial setting

[A-9050, A-9030]
SELECTOR
SPEAKERS
BASS
TREBLE
BALANCE
VOLUME
PURE DIRECT
RI MODE
4ohm/8ohm
Auto Standby

[M-5010, ADM-20.4]
Input Level
12Vtrg or Audio
4ohm/8ohm
Auto Standby

4. 出荷ポジション
 - 4-1. イニシャライズの方法

【A-9050, A-9030】
PURE DIRECTボタンとStandbyボタンを同時に押す
 - 4-2. 出荷ポジション

【A-9050, A-9030】
SELECTOR
SPEAKERS
BASS
TREBLE
BALANCE
VOLUME
PURE DIRECT
RI MODE
4Ω/8Ω
Auto Standby

【M-5010, ADM-20.4】
Input Level
12Vtrg or Audio
4Ω/8Ω

Operation Check - 1

- 1-1. Confirm Relay operation
- Confirm that the relay of SP A and the relay of SP B operate normally respectively by SPEAKER A/B TRIM.
 - It is confirmed that the relay cuts at once if becoming POWER OFF.
 - Confirm no-sound from SWpreOUT when you insert HP JACK. (A-9050 / A-9030 ONLY)
 - Confirm relay operation, when 4ohm-8ohm switch is change to the other position.
- 1-2. Confirm of remote controll operations.(A-9050, A-9030 ONLY)
- Confirm that specified operations for each button are made.
 - Confirm the RI operation.
 - Confirm the change of RI mode to swith S7901-S7903 (A-9050 ONLY)
- 1-3. Confirm of Audio Sense operations.(M-5010, ADM-20.4 ONLY)
- TRIGGER switch is AUDIO at the condition of no input, and it turns off power.
 - Confirm that it dosen't become the POWER ON ,if "-65dBV, 1KHz" inputs.
 - Confirm that it becomes the POWER ON ,if "-45dBV, 1KHz" inputs.
- 1-4. Confirm of 12V trigger operations.(M-5010, ADM-20.4 ONLY)
- TRIGGER switch is 12Vtrg at the condition of no input, and it turns off power.
Confirm it become the POWER ON if 12V trigger is input.
 - Confirm 12VTRG is output when the POWER ON.
- 1-1. リレーの動作確認
- SP A、Bの切替が正常に動作しているか確認する。
 - POWER OFFになれば直ちにSPリレーが切れることを確認する。
 - HPをいれるとSWpreOUTから音が出ないことを確認する。(A-9050/A-9030 ONLY)
 - 4Ω、8Ωスイッチを切り替えるとリレーが動作することを確認する。
- 1-2. リモコンの動作確認 (A-9050, A-9030 ONLY)
- 各キーで所定の動作が行われることを確認する。
 - RI動作を確認する。
 - S7901～S7903を切り替えてRIモードが変わるか確認する。(A-9050 ONLY)
- 1-3. Audio Senseの動作確認 (M-5010, ADM-20.4 ONLY)
- TRIGGERスイッチをAUDIOにし、無信号の状態ですットの電源を切る
 - 65dBV、1kHzの入力では電源がONしないことを確認する。
 - 45dBV、1kHzが状態で入力されると電源がONすることを確認する。
- 1-4. 12Vトリガーの動作確認 (M-5010, ADM-20.4 ONLY)
- TRIGGERスイッチを12Vtrgにし、12Vトリガーが入力されると電源が入ることを確認する。
 - 電源が入ると12Vトリガーが出力されていることを確認する。

Operation Check - 2

2-1. Voltage protection

- a. The unit receives the remote control signal, it goes into the test mode 1-02.
- b. The speaker relay become OFF immediately after "D.C. 1.5V inputs" to CD SELECTOR to check L and R. The same as above when "D.C. -1.5V" inputs at each place.

NOTE 1: Limit time to apply voltage is 0.5-1.0 seconds each channel.
When protection operation does not occur at once, try several times.

NOTE 2: Don't connect load nor short speaker terminals.

- * When you check this protection, you must use the test mode 1-02.

2-2. Current protection

- a. The unit receives the remote control signal, it goes into the test mode 1-02.
- b. The relay shall be ON when 2 ohm load is connected to each channel under the conditions of peak-to-zero 20V output for L,R channels and no load by using the INTEGRA amplifier series designated circuit with 50Hz square wave.
- c. The relay shall be OFF when 0.5 ohm load is connected to each channel under the conditions of peak-to-zero 20V output for L,R channels and no load by using the the INTEGRA amplifier series designated circuit with 50Hz square wave.

- * When you check this protection, you must use the test mode 1-02.

2-1. 電圧プロテクト

- a. リモコン信号を受信し、テストモード1-02の状態する。
- b. +1.5Vを印加すると直ちにスピーカーリレーがOFFになることを確認する。
-1.5Vの場合も同様になることを確認する。

NOTE 1: 電圧印加は各ch共に0.5~1.0秒とし、1回でプロテクト動作しないときは数回電圧印加すること。

NOTE 2: 負荷を接続したりショートしたりしないこと。

- * プロテクト動作を確認する際はテストモード1-02を使用すること

2-2. 電流プロテクト

- a. リモコン信号を受信し、テストモード1-02の状態する。
- b. 無負荷で50Hzの方形波をインテグラシリーズの指定回路を通して1chずつ信号を入力し、L,R chに20Vのピーク値を出力した状態で、2Ωの負荷を接続してもリレーが切れないこと。
- c. 無負荷で50Hzの方形波をインテグラシリーズの指定回路を通して1chずつ信号を入力し、L,R chに20Vのピーク値を出力した状態で、0.5Ωの負荷を接続するとリレーが切れること。

- * プロテクト動作を確認する際はテストモード1-02を使用すること

Operation Check - 3

動作テストモード

TEST MODE FOR OPERATION

- a. VolumeをMAXにし、PMBassキーを押しながらSTANDBY/ONキーを押すと、テストモードに入る。
Set volume MAX, and push STANDBY/ON button while pushing down PHASE MATCHING BASS, then it will enter the test mode.
- b. Table1に従ってキーを押すことによって、各テストモードに入ることができます。
You can enter the each test mode by pushing the key to show on the Table1.
- c. INPUTノブを回すことによって、テストステップをUP/DOWNすることができます。
You can change the Test Step by turning the input knob.
- d. また、Table2に示すコードを受信すると、直接テストモードに入ったり、ステップNo. を変えたりすることが出来る。
The unit receives the remote control signals indicated in Table2, the set will be the test mode or be changed the step No.
- e. また、1-02と1-03のテストモードは以下の手順で入ることが出来る。
You can enter the 1-02 and 1-03 test mode as below.
 - 1-02: At first, enter the test mode and then push PURE DIRECT button.
 - 1-03: At first, enter the test mode and then push SPEAKERS button.

TEST No	Function	Analog Input	Speaker	Volume	Balance	Bass	Treble	Direct	PMBass	AMUTE	ETC
1-00	All LED light up.	LINE1	SPEAKER A	0dB	CENTER	0dB	0dB	ON	OFF	OFF	*1
1-01	Thermal test mode.	LINE1	SPEAKER A	0dB	CENTER	0dB	0dB	ON	OFF	OFF	*2
1-02	Protect test mode.	LINE1	SPEAKER A	0dB	CENTER	0dB	0dB	ON	OFF	OFF	*3
1-03	Idling timer mode.	LINE1	SPEAKER A	0dB	CENTER	0dB	0dB	ON	OFF	OFF	*4
2-00	Direct Volume Max.	LINE1	SPEAKER A	MAX	CENTER	0dB	0dB	ON	OFF	OFF	
2-01	Direct Volume Min.	LINE1	SPEAKER A	MIN	CENTER	0dB	0dB	ON	OFF	OFF	
2-02	Tone Volume Max.	LINE1	SPEAKER A	MAX	CENTER	0dB	0dB	OFF	OFF	OFF	
2-03	Tone Balance Rmax.	LINE1	SPEAKER A	MAX	RMAX	0dB	0dB	OFF	OFF	OFF	
2-04	Tone Balance Lmax.	LINE1	SPEAKER A	MAX	LMAX	0dB	0dB	OFF	OFF	OFF	
2-05	Tone Bass Max.	LINE1	SPEAKER A	MAX	CENTER	MAX	0dB	OFF	OFF	OFF	
2-06	Tone Bass Min.	LINE1	SPEAKER A	MAX	CENTER	MIN	0dB	OFF	OFF	OFF	
2-07	Tone Treble Max.	LINE1	SPEAKER A	MAX	CENTER	0dB	MAX	OFF	OFF	OFF	
2-08	Tone Treble Min.	LINE1	SPEAKER A	MAX	CENTER	0dB	MIN	OFF	OFF	OFF	
2-09	Tone PMBass ON.	LINE1	SPEAKER A	MAX	CENTER	0dB	0dB	OFF	ON	OFF	
2-10	Amute ON.	LINE1	SPEAKER A	MAX	CENTER	0dB	0dB	ON	OFF	ON	
2-11	Volume -40dB.	PHONO	SPEAKER A	-40dB	CENTER	0dB	0dB	ON	OFF	OFF	
2-12	Phono Volume Max.	PHONO	SPEAKER A	MAX	CENTER	0dB	0dB	ON	OFF	OFF	
2-13	Phono Volume Min.	PHONO	SPEAKER A	MIN	CENTER	0dB	0dB	ON	OFF	OFF	
3-00	Digital3 Input Test.	D3	SPEAKER A	MIN	CENTER	0dB	0dB	ON	OFF	OFF	

- *1 全てのLEDが順番に点灯していきます。
All LED lights up in turn.
- *2 RI出力に1秒おきにAMPの温度を出力します。
It output the temperature of the amplifier in RI every one second.
- *3 プロテクトを検出した時、3秒間SPリレーを切断します。
(その他のモードの時プロテクトを検出すると、シャットダウンします)
When I detected AMP protection, I cut the SP relay for three seconds.
(I shut it down when I detect protection at time of other test modes.)
- *4 1分ごとにLEDが点灯していくタイマーモードです。
It is the timer mode which LED lights up every one minute.
- *5 テストモード中にSTANDBYボタンが押されると、設定を初期化後にスタンバイモードになります。
When STANDBY button is pushed in a test mode, it becomes a standby mode after initialization by setting.

A

B

C

D

Exploded Views - 1

1

A230
COVER

2

3

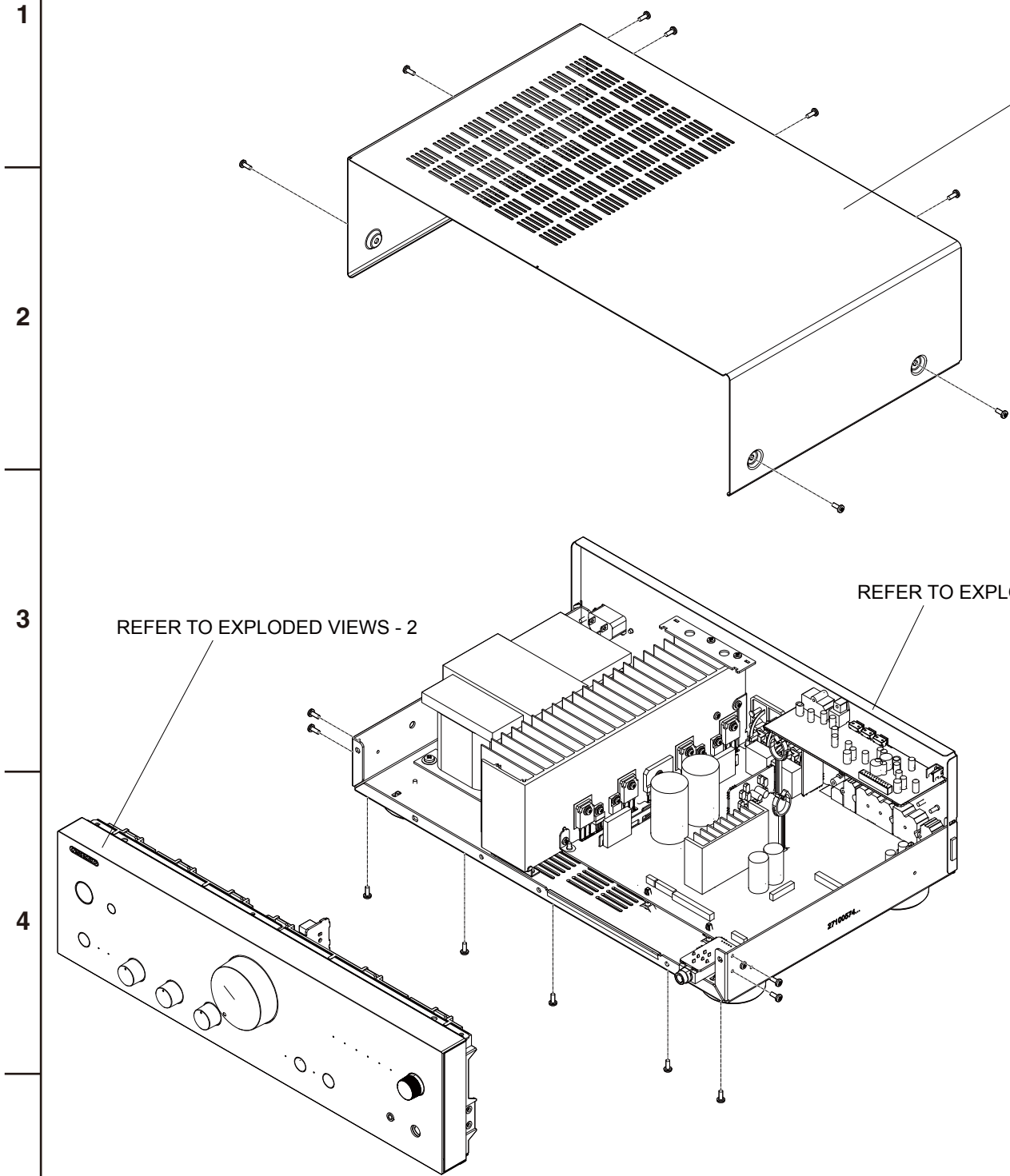
REFER TO EXPLODED VIEWS - 2

REFER TO EXPLODED VIEWS - 3

4

5

Screws:
838430088GR
3TTB+8B(3BC)



A

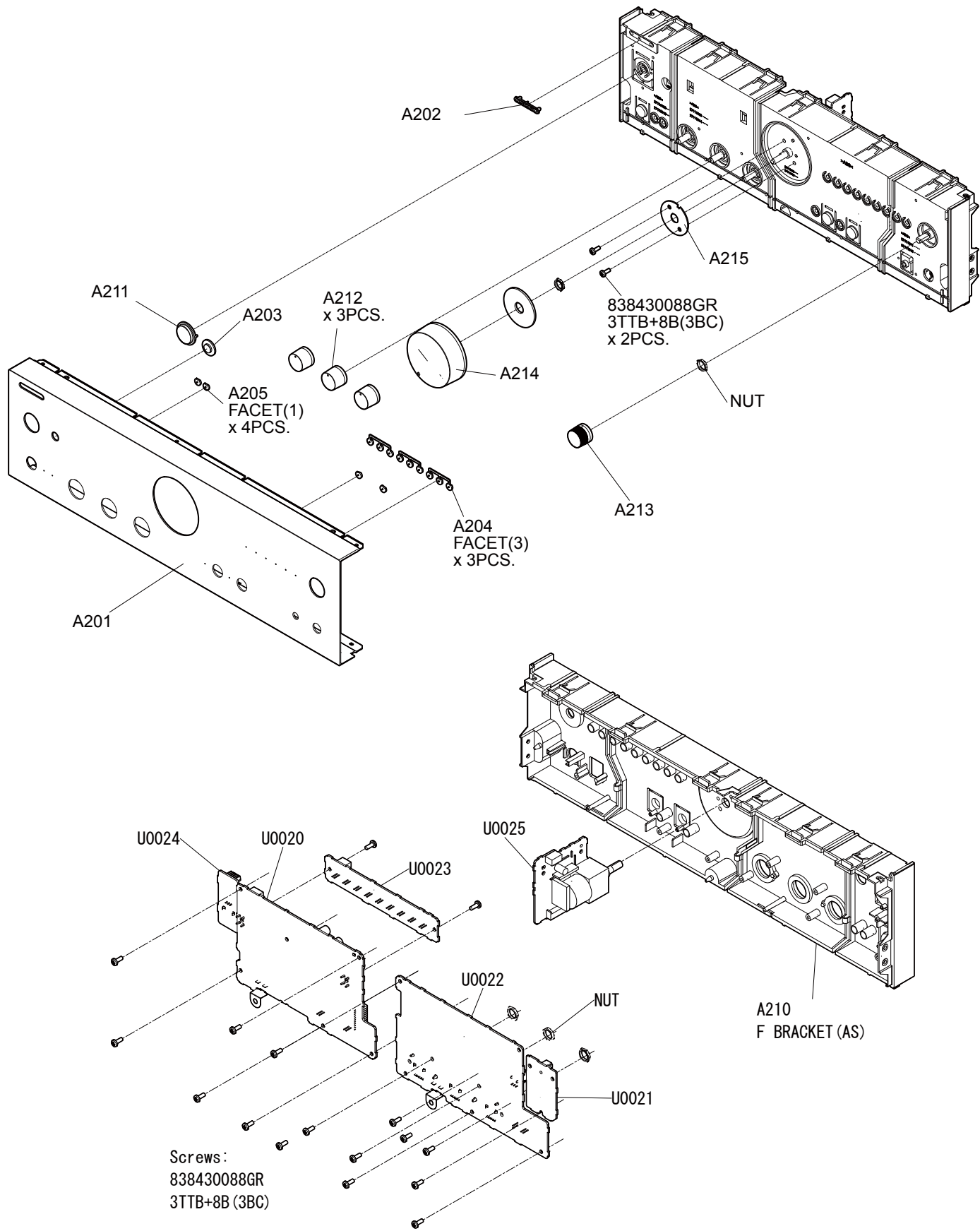
B

C

D

Exploded Views - 2

1
2
3
4
5



A

B

C

D

Exploded Views - 3

1

U0016

A010

A011

Q527A, Q528A, Q529A, Q530A

A015 x 5PCS.
A020 x 4PCS.

U0014

2

A012

Q530
Q526
Q524
Q528
D900
Q529
Q525
Q523
Q527

U0010

A013
x 2PCS.

3

A020
x 4PCS.

T901

U0013

U0015

A111
x 2PCS.

A101

4

A005
x 7PCS.

U0030

A102

5

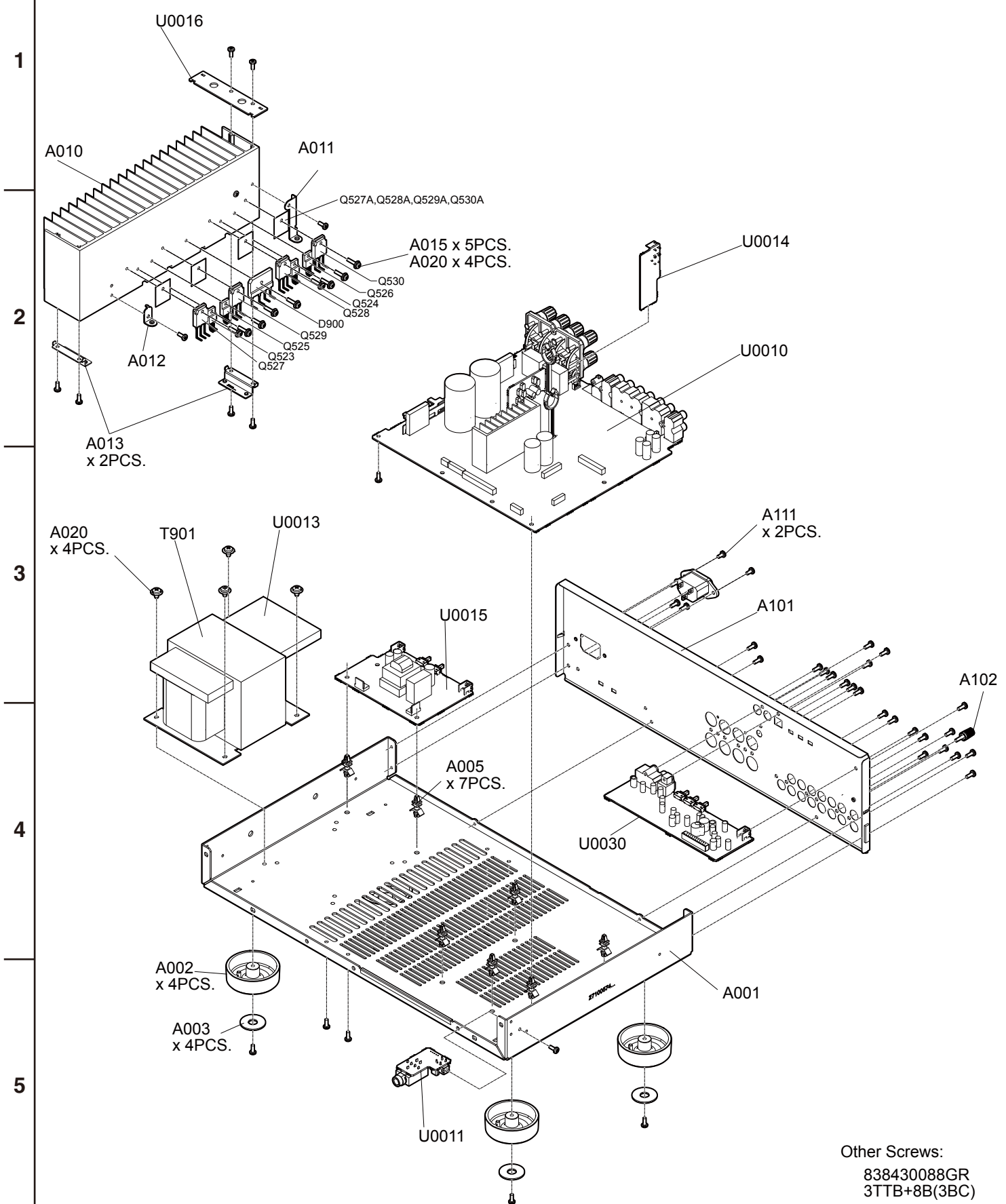
A002
x 4PCS.

A003
x 4PCS.

U0011

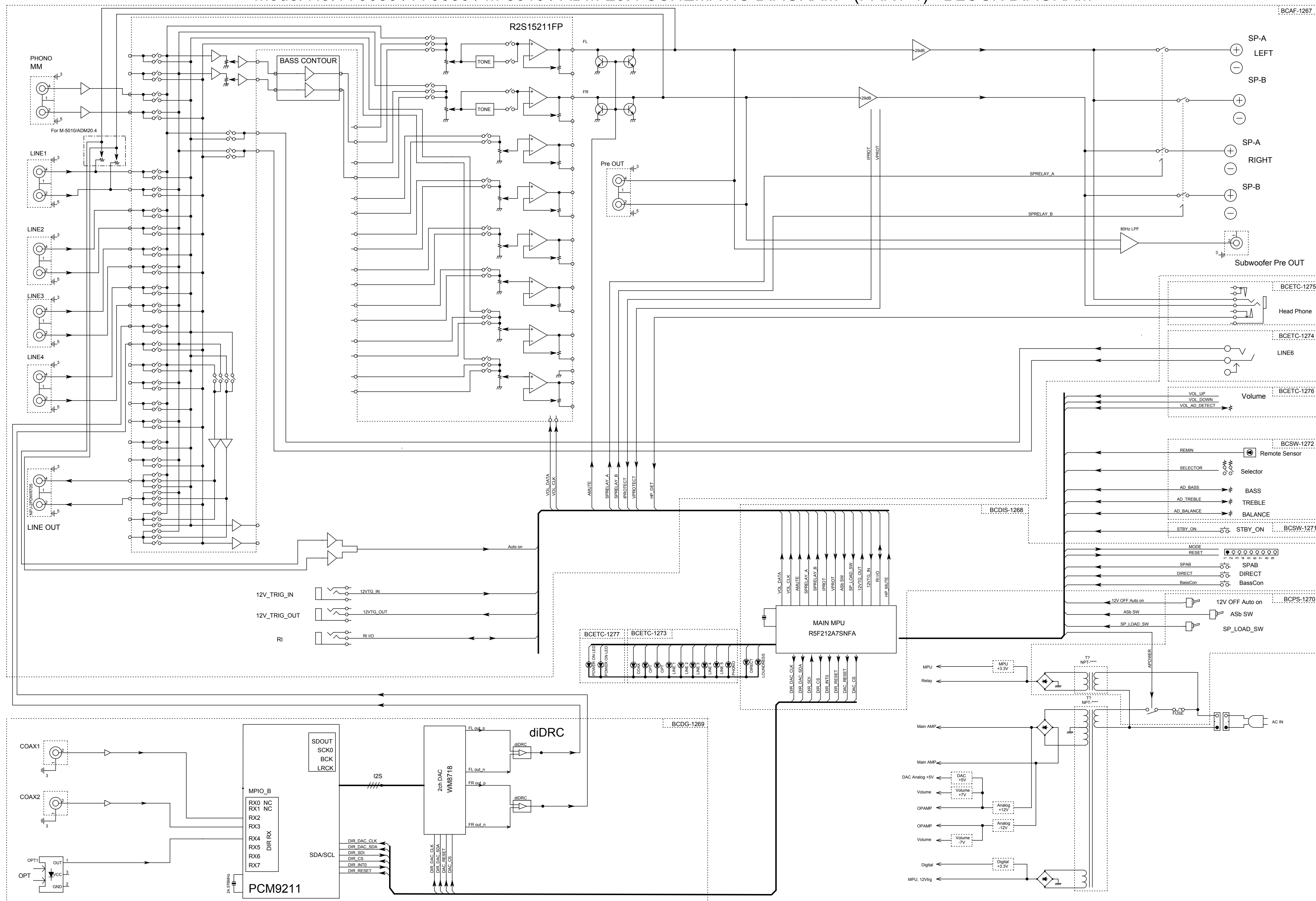
A001

Other Screws:
838430088GR
3TTB+8B(3BC)



SCHEMATIC DIAGRAMS - 1
BLOCK DIAGRAM

Model No. A-9050 / A-9030 / M-5010 / ADM-20.4 SCHEMATIC DIAGRAM (PART-1) BLOCK DIAGRAM



1
2
3
4
5
6
7
8

SCHEMATIC DIAGRAMS - 2
AUDIO SECTION

Model No. A-9050 / A-9030 / M-5010 / ADM-20.4 SCHEMATIC DIAGRAM (PART-2) ASP Section

U0012
Thermal Sensor PC BOARD

U0010
MAIN PC BOARD

BAAF-1267(1/2)

PHONO

PHONO

Line1

Line2

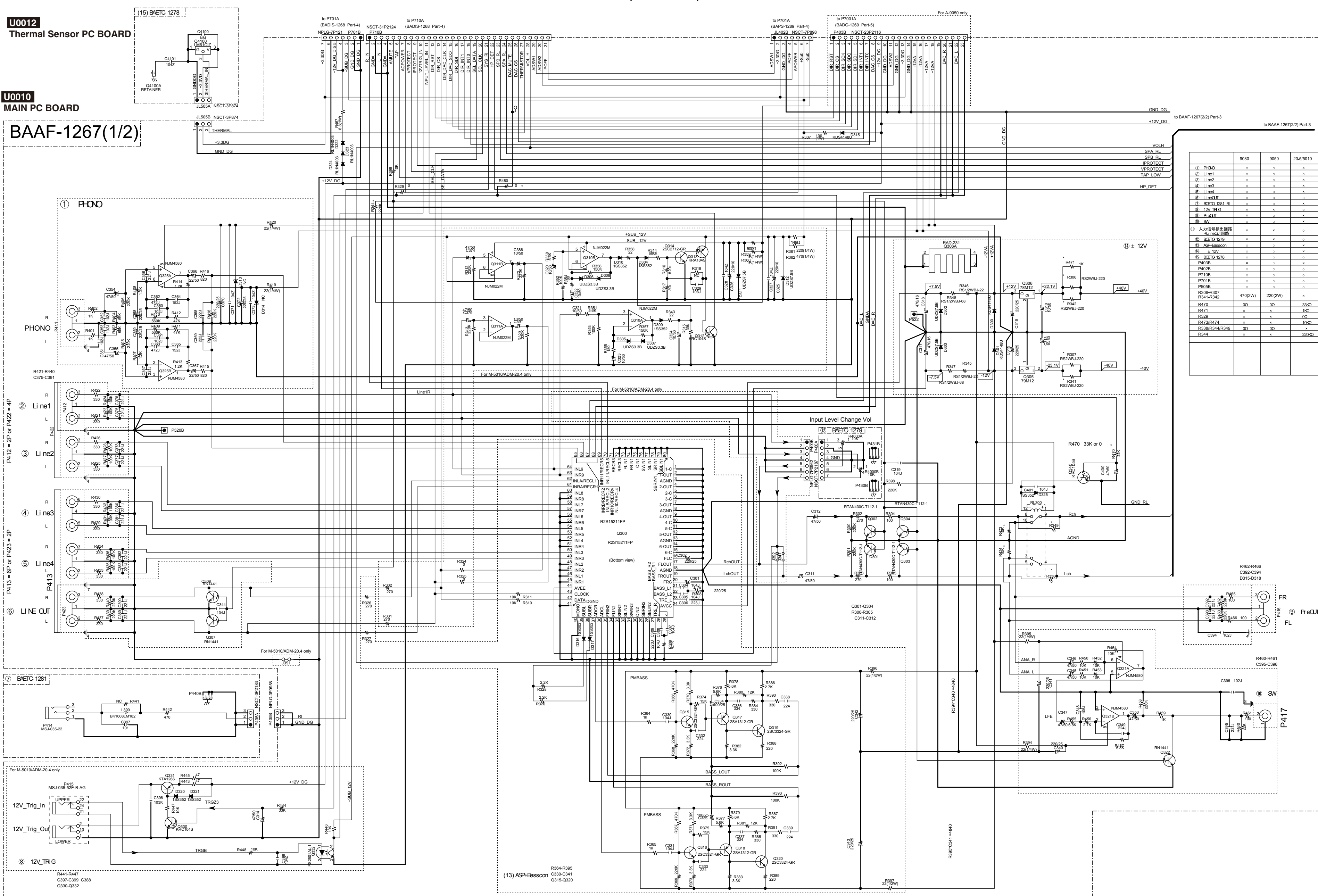
Line3

Line4

LINE OUT

12V_TRIG

12V_TRIG



	9030	9050	20,5010
① R400	○	○	○
② L1n01	○	○	○
③ L1n02	○	○	○
④ L1n03	○	○	○
⑤ L1n04	○	○	○
⑥ L1n05	○	○	○
⑦ R401	○	○	○
⑧ R402	○	○	○
⑨ R403	○	○	○
⑩ R404	○	○	○
⑪ R405	○	○	○
⑫ R406	○	○	○
⑬ R407	○	○	○
⑭ R408	○	○	○
⑮ R409	○	○	○
⑯ R410	○	○	○
⑰ R411	○	○	○
⑱ R412	○	○	○
⑲ R413	○	○	○
⑳ R414	○	○	○
㉑ R415	○	○	○
㉒ R416	○	○	○
㉓ R417	○	○	○
㉔ R418	○	○	○
㉕ R419	○	○	○
㉖ R420	○	○	○
㉗ R421	○	○	○
㉘ R422	○	○	○
㉙ R423	○	○	○
㉚ R424	○	○	○
㉛ R425	○	○	○
㉜ R426	○	○	○
㉝ R427	○	○	○
㉞ R428	○	○	○
㉟ R429	○	○	○
㊱ R430	○	○	○
㊲ R431	○	○	○
㊳ R432	○	○	○
㊴ R433	○	○	○
㊵ R434	○	○	○
㊶ R435	○	○	○
㊷ R436	○	○	○
㊸ R437	○	○	○
㊹ R438	○	○	○
㊺ R439	○	○	○
㊻ R440	○	○	○
㊼ R441	○	○	○
㊽ R442	○	○	○
㊾ R443	○	○	○
㊿ R444	○	○	○
① R445	○	○	○
② R446	○	○	○
③ R447	○	○	○
④ R448	○	○	○
⑤ R449	○	○	○
⑥ R450	○	○	○
⑦ R451	○	○	○
⑧ R452	○	○	○
⑨ R453	○	○	○
⑩ R454	○	○	○
⑪ R455	○	○	○
⑫ R456	○	○	○
⑬ R457	○	○	○
⑭ R458	○	○	○
⑮ R459	○	○	○
⑯ R460	○	○	○
⑰ R461	○	○	○
⑱ R462	○	○	○
⑲ R463	○	○	○
⑳ R464	○	○	○
㉑ R465	○	○	○
㉒ R466	○	○	○
㉓ R467	○	○	○
㉔ R468	○	○	○
㉕ R469	○	○	○
㉖ R470	○	○	○
㉗ R471	○	○	○
㉘ R472	○	○	○
㉙ R473	○	○	○
㉚ R474	○	○	○
㉛ R475	○	○	○
㉜ R476	○	○	○
㉝ R477	○	○	○
㉞ R478	○	○	○
㉟ R479	○	○	○
㊱ R480	○	○	○
㊲ R481	○	○	○
㊳ R482	○	○	○
㊴ R483	○	○	○
㊵ R484	○	○	○
㊶ R485	○	○	○
㊷ R486	○	○	○
㊸ R487	○	○	○
㊹ R488	○	○	○
㊺ R489	○	○	○
㊻ R490	○	○	○
㊼ R491	○	○	○
㊽ R492	○	○	○
㊾ R493	○	○	○
㊿ R494	○	○	○
① R495	○	○	○
② R496	○	○	○
③ R497	○	○	○
④ R498	○	○	○
⑤ R499	○	○	○
⑥ R500	○	○	○
⑦ R501	○	○	○
⑧ R502	○	○	○
⑨ R503	○	○	○
⑩ R504	○	○	○
⑪ R505	○	○	○
⑫ R506	○	○	○
⑬ R507	○	○	○
⑭ R508	○	○	○
⑮ R509	○	○	○
⑯ R510	○	○	○
⑰ R511	○	○	○
⑱ R512	○	○	○
⑲ R513	○	○	○
⑳ R514	○	○	○
㉑ R515	○	○	○
㉒ R516	○	○	○
㉓ R517	○	○	○
㉔ R518	○	○	○
㉕ R519	○	○	○
㉖ R520	○	○	○
㉗ R521	○	○	○
㉘ R522	○	○	○
㉙ R523	○	○	○
㉚ R524	○	○	○
㉛ R525	○	○	○
㉜ R526	○	○	○
㉝ R527	○	○	○
㉞ R528	○	○	○
㉟ R529	○	○	○
㊱ R530	○	○	○
㊲ R531	○	○	○
㊳ R532	○	○	○
㊴ R533	○	○	○
㊵ R534	○	○	○
㊶ R535	○	○	○
㊷ R536	○	○	○
㊸ R537	○	○	○
㊹ R538	○	○	○
㊺ R539	○	○	○
㊻ R540	○	○	○
㊼ R541	○	○	○
㊽ R542	○	○	○
㊾ R543	○	○	○
㊿ R544	○	○	○
① R545	○	○	○
② R546	○	○	○
③ R547	○	○	○
④ R548	○	○	○
⑤ R549	○	○	○
⑥ R550	○	○	○
⑦ R551	○	○	○
⑧ R552	○	○	○
⑨ R553	○	○	○
⑩ R554	○	○	○
⑪ R555	○	○	○
⑫ R556	○	○	○
⑬ R557	○	○	○
⑭ R558	○	○	○
⑮ R559	○	○	○
⑯ R560	○	○	○
⑰ R561	○	○	○
⑱ R562	○	○	○
⑲ R563	○	○	○
⑳ R564	○	○	○
㉑ R565	○	○	○
㉒ R566	○	○	○
㉓ R567	○	○	○
㉔ R568	○	○	○
㉕ R569	○	○	○
㉖ R570	○	○	○
㉗ R571	○	○	○
㉘ R572	○	○	○
㉙ R573	○	○	○
㉚ R574	○	○	○
㉛ R575	○	○	○
㉜ R576	○	○	○
㉝ R577	○	○	○
㉞ R578	○	○	○
㉟ R579	○	○	○
㊱ R580	○	○	○
㊲ R581	○	○	○
㊳ R582	○	○	○
㊴ R583	○	○	○
㊵ R584	○	○	○
㊶ R585	○	○	○
㊷ R586	○	○	○
㊸ R587	○	○	○
㊹ R588	○	○	○
㊺ R589	○	○	○
㊻ R590	○	○	○
㊼ R591	○	○	○
㊽ R592	○	○	○
㊾ R593	○	○	○
㊿ R594	○	○	○
① R595	○	○	○
② R596	○	○	○
③ R597	○	○	○
④ R598	○	○	○
⑤ R599	○	○	○
⑥ R600	○	○	○
⑦ R601	○	○	○
⑧ R602	○	○	○
⑨ R603	○	○	○
⑩ R604	○	○	○
⑪ R605	○	○	○
⑫ R606	○	○	○
⑬ R607	○	○	○
⑭ R608	○	○	○
⑮ R609	○	○	○
⑯ R610	○	○	○
⑰ R611	○	○	○
⑱ R612	○	○	○
⑲ R613	○	○	○
⑳ R614	○	○	○
㉑ R6			

SCHEMATIC DIAGRAMS - 3 POWER AMPLIFIER SECTION

Adjustment of idling current

- Set the voltages at P511 and P512 to 20mV by adjusting R587 and R588, under the condition of no input and no load, immediately after POWER ON. 無負荷・無信号にてPOWER ON直後、P511~P512の両端電圧をR587~R588にて20mVに設定する。
- 5 minutes of heat running. 5分間ヒートランする。
- Re-adjust by following procedure. 下記手順で再調整する。

Below 20mV	20mV
Between 20~30mV	Leave it as it is.
Over 30mV	30mV

(A-9030 ONLY)

- Set the voltages at P511 and P512 to 10mV by adjusting R587 and R588, under the condition of no input and no load, immediately after POWER ON. 無負荷無信号にてPOWER ON直後、P511~P512の両端電圧をR587~R588にて10mVに設定する。
- 5 minutes of heat running. 5分間ヒートランする。
- Re-adjust by following procedure. 下記手順で再調整する。

Below 10mV	10mV
Between 10~20mV	Leave it as it is.
Over 20mV	20mV

NOTE1)

When you adjust idling current, you must use the test mode 1-03. アイドリング電流を調整する際はテストモード1-03を使用すること
test mode 1-03 : Set volume MAX, and push STANDBY/ON button while pushing down PHASE MATCHING BASS, then it will enter the test mode. And then push SPEAKERS button.

NOTE2)

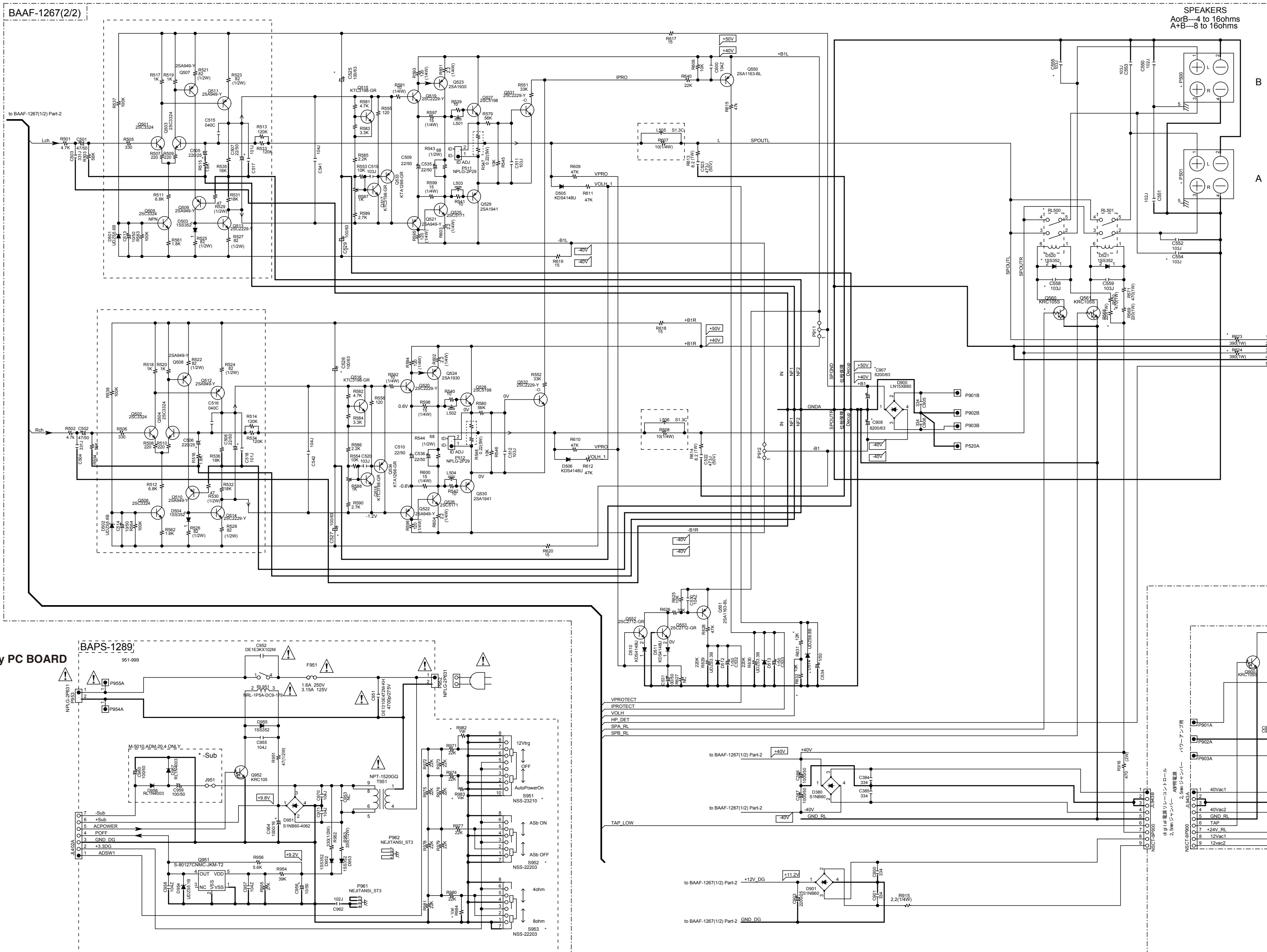
M-5010 and ADM-20.4, you must confirm SPEAKER IMPEDANCE switch to adjust idling current. M-5010とADM-20.4はアイドリング電流を調整する前にSPEAKER IMPEDANCEのスイッチが8Ωになっていることを確認する事

NOTE3)

M-5010 and ADM-20.4 don't have test mode. When you adjust idling current, you should use timer. M-5010とADM-20.4はテストモードがないのでアイドリングを調整する時はストップウォッチを使ってください。

Model No. A-9050 / A-9030 / M-5010 / ADM-20.4 SCHEMATIC DIAGRAM (PART-3) AMP Section

U0010 MAIN PC BOARD



M/T or No Mt List

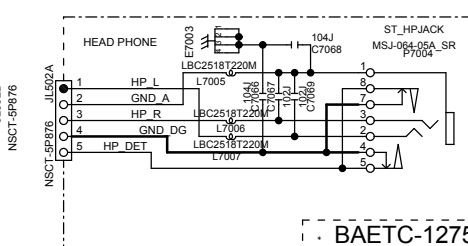
* Mt choice	9030	9050	9050/20.4/5010
C307C308	8200/56V	10000/63V	10000/63V
C308C309C327C329	100u/50V	100u/63V	100u/63V
P501 SPA	○	○	○
F900 SPB	○	○	○
R500C558C559C564	○	○	○
D320C558C560	○	○	○
R568R570	○	○	○
BAETC-1275	○	○	○
BL900BL901	○	○	○
J900-J903	○	○	○
-Sub	○	○	○
S951	○	○	○
S952	○	○	○
S953	○	○	○
S954	○	○	○
S955	○	○	○
S956	○	○	○
S957	○	○	○
S958	○	○	○
S959	○	○	○
S960	○	○	○
S961	○	○	○
S962	○	○	○
S963	○	○	○
S964	○	○	○
S965	○	○	○
S966	○	○	○
S967	○	○	○
S968	○	○	○
S969	○	○	○
S970	○	○	○
S971	○	○	○
S972	○	○	○
S973	○	○	○
S974	○	○	○
S975	○	○	○
S976	○	○	○
S977	○	○	○
S978	○	○	○
S979	○	○	○
S980	○	○	○
S981	○	○	○
S982	○	○	○
S983	○	○	○
S984	○	○	○
S985	○	○	○
S986	○	○	○
S987	○	○	○
S988	○	○	○
S989	○	○	○
S990	○	○	○
S991	○	○	○
S992	○	○	○
S993	○	○	○
S994	○	○	○
S995	○	○	○
S996	○	○	○
S997	○	○	○
S998	○	○	○
S999	○	○	○
S1000	○	○	○

Fuse List

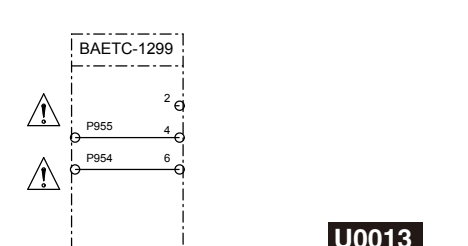
	9030	9050	9050	9050/20.4/5010
F951	T1.6AL/250V	125V/3.15A	125V/4A	T2AL/250V
F900/F902	○	○	○	○

Sub Trans List

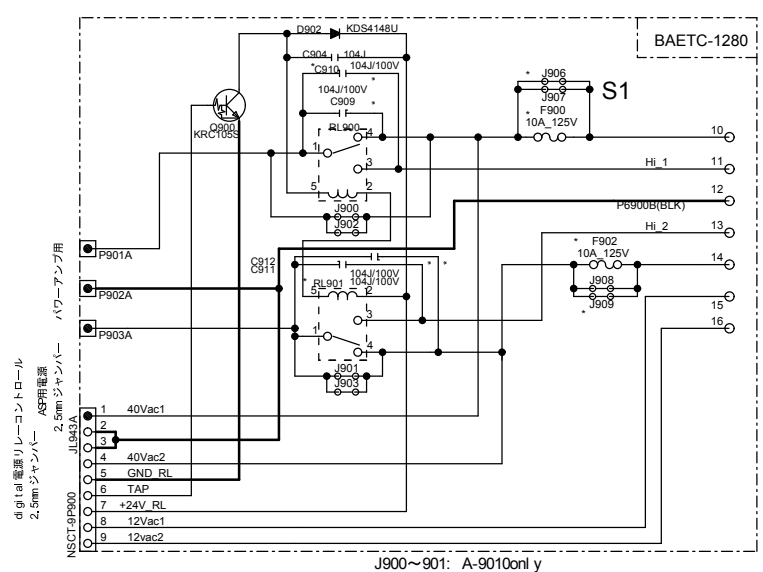
	9030	9050	9050	9050/20.4/5010
T901	NPT-1203P	NPT-1625D	NPT-1625J	NPT-1628P
T951	NPT-1520GG	NPT-1620GJ	NPT-1520J	NPT-1520GG



U0013 HP Jack PC BOARD



U0015 Power Supply PC BOARD



1000-901: A-9010n1 y

SCHEMATIC DIAGRAMS - 4
DISPLAY SECTION

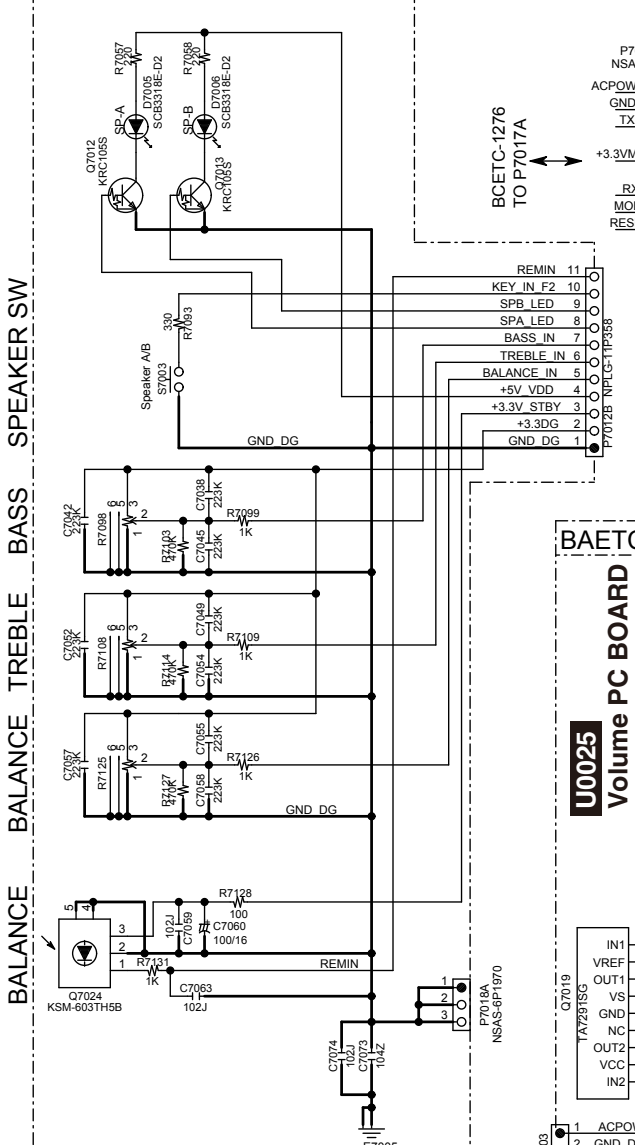
Set of destination Model No. A-9050 / A-9030 / M-5010 / ADM-20.4 SCHEMATIC DIAGRAM (PART-4) Display Section

	A-9030	A-9010	M-5010	ADM20.4
BCDIS-1268	○	○	○	○
BCSW-1272	○	○	○	○
BCSW-1271	○	○	○	○
BCETC-1273	○	○	○	○
BCETC-1274	○	○	○	○
BCETC-1276	○	○	○	○

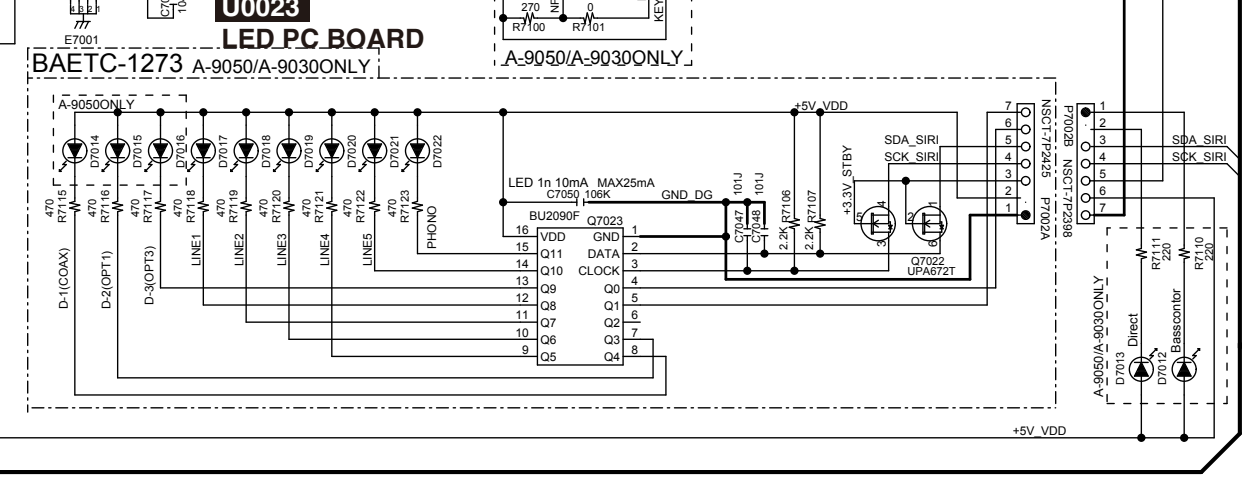
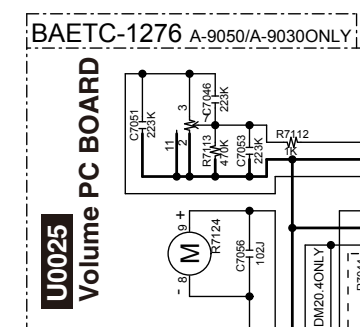
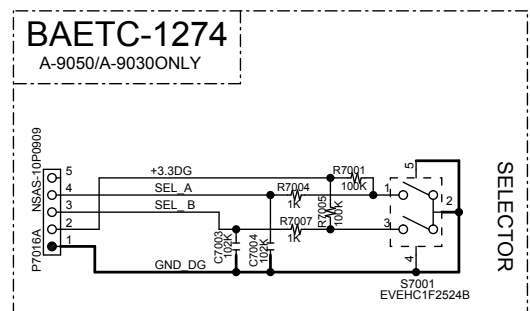
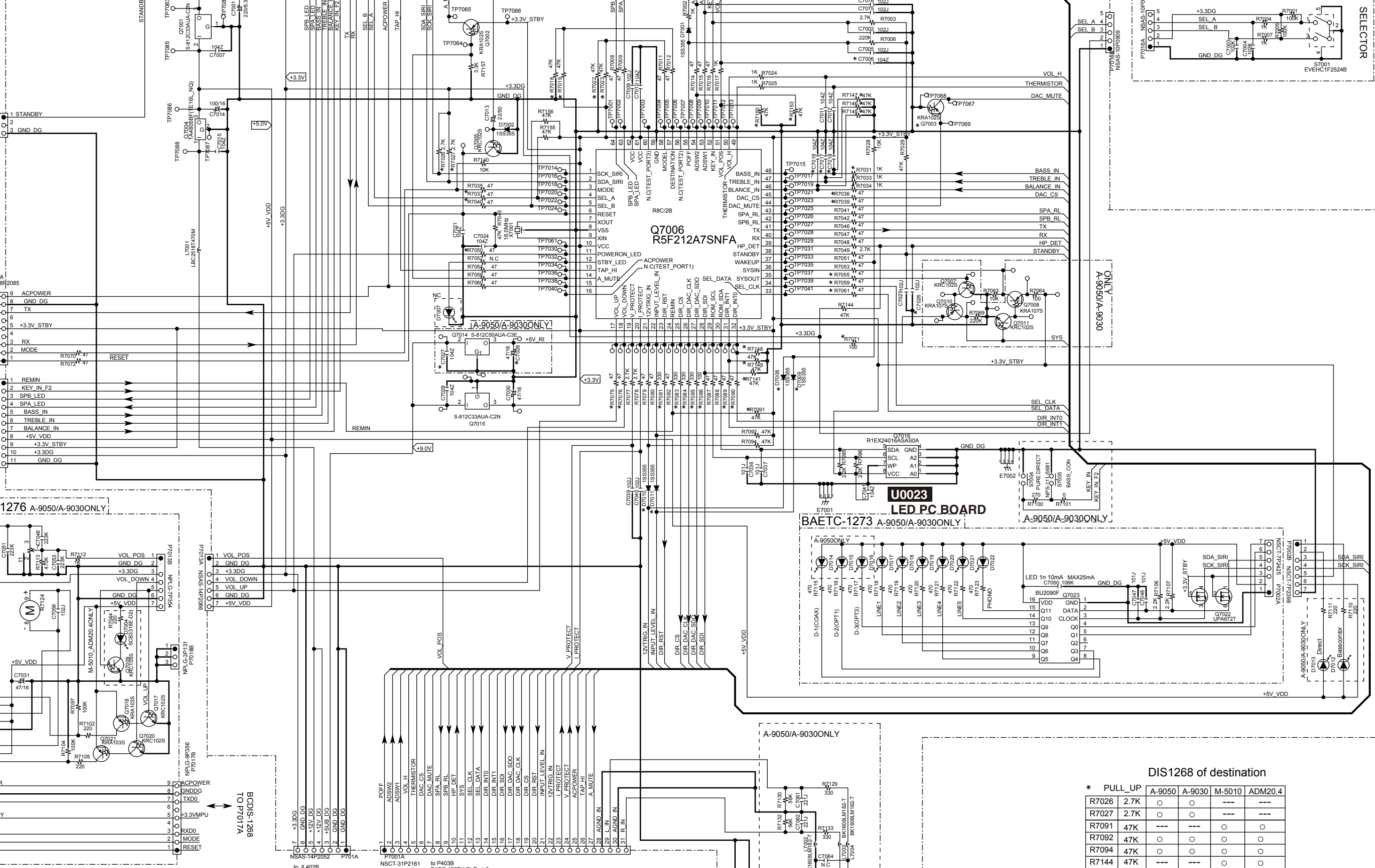
Resistance of destination Model

	A-9050	A-9030	M-5010	ADM20.4
R7018	47K	○	○	○
R7019	47K	○	○	○
R7022	47K	○	○	○
R7023	47K	○	○	○

U0022
Switch PC BOARD
BASW-1272
A-9050/A-9030 ONLY



BADIS-1268
U0020
Display PC BOARD



Resistance of destination

	A-9050	A-9030	M-5010	ADM20.4
R7123	470	○	○	○
R7124	VARI R	○	○	○
R7125	VARI R	○	○	○
R7126	1K	○	○	○
R7127	470K	○	○	○
R7128	100	○	○	○
R7129	330	○	○	○
R7130	56K	○	○	○
R7131	1K	○	○	○
R7132	56K	○	○	○
R7133	330	○	○	○
R7134	4.7K	○	○	○
R7135	4.7K	○	○	○

Resistance of destination

	A-9050	A-9030	M-5010	ADM20.4
R7102	220	○	○	○
R7103	470K	○	○	○
R7104	100K	○	○	○
R7105	220	○	○	○
R7106	2.2K	○	○	○
R7107	2.2K	○	○	○
R7108	VOL R	○	○	○
R7109	1K	○	○	○
R7110	470	○	○	○
R7111	470	○	○	○
R7112	1K	○	○	○
R7113	470K	○	○	○
R7114	470K	○	○	○
R7115	470	○	○	○
R7116	470	○	○	○
R7117	470	○	○	○
R7118	470	○	○	○
R7119	470	○	○	○
R7120	470	○	○	○
R7121	470	○	○	○
R7122	470	○	○	○

Resistance of destination

	A-9050	A-9030	M-5010	ADM20.4
R7059	47	○	○	○
R7061	47	○	○	○
R7064	100	○	○	○
R7069	220K	○	○	○
R7071	100	○	○	○
R7075	47	○	○	○
R7076	47	○	○	○
R7081	330	○	○	○
R7082	47	○	○	○
R7083	330	○	○	○
R7084	330	○	○	○
R7085	330	○	○	○
R7086	100	○	○	○
R7089	47	○	○	○
R7090	47	○	○	○
R7093	330	○	○	○
R7097	100K	○	○	○
R7098	VOL R	○	○	○
R7099	1K	○	○	○
R7100	270	○	○	○
R7101	0	○	○	○

Resistance of destination

	A-9050	A-9030	M-5010	ADM20.4
R7001	100K	○	○	○
R70061	47	○	○	○
R7005	100K	○	○	○
R7007	1K	○	○	○
R7018	47K	○	○	○
R7019	47K	○	○	○
R7022	47K	○	○	○
R7023	47K	○	○	○
R7031	1K	○	○	○
R7033	1K	○	○	○
R7034	1K	○	○	○
R7036	47	○	○	○
R7037	47	○	○	○
R7039	47	○	○	○
R7040	47	○	○	○
R7044	220	○	○	○
R7048	47	○	○	○
R7050	2.7K	○	○	○
R7055	47	○	○	○
R7057	470	○	○	○
R7058	470	○	○	○

Destination, C, TR

	A-9050	A-9030	M-5010	ADM20.4
C7003~C7004	○	○	○	○
C7006	○	○	○	○
C7016~C7018	○	○	○	○
C7026~C7028	○	○	○	○
C7031 C7038	○	○	○	○
C7042	○	○	○	○
C7045~C7063	○	○	○	○
C7073~C7074	○	○	○	○
D7008~D7011	○	○	○	○
Q7003	○	○	○	○
Q7007~Q7008	○	○	○	○
Q7009	○	○	○	○
Q7010~Q7011	○	○	○	○
Q7012~Q7013	○	○	○	○
Q7014	○	○	○	○
Q7017~Q7024	○	○	○	○
D7004	○	○	○	○
D7005~D7006	○	○	○	○
D7014~D7016	○	○	○	○
D7012~D7013	○	○	○	○
D7017~D7022	○	○	○	○
L7002~L7004	○	○	○	○

DIS1268 of destination

* PULL_UP	A-9050	A-9030	M-5010	ADM20.4
R7026	2.7K	○	○	○
R7027	2.7K	○	○	○
R7091	47K	○	○	○
R7092	47K	○	○	○
R7094	47K	○	○	○
R7144	47K	○	○	○

DIS1268 of destination

* PULL_DOWN	A-9050	A-9030	M-5010	ADM20.4
R7141	2.2K	○	○	○
R7145	47K	○	○	○
R7146	47K	○	○	○
R7147	47K	○	○	○
R7148	47K	○	○	○
R7149	47K	○	○	○
R7150	47K	○	○	○
R7153	47K	○	○	○

SCHEMATIC DIAGRAMS - 5
DIGITAL SECTION

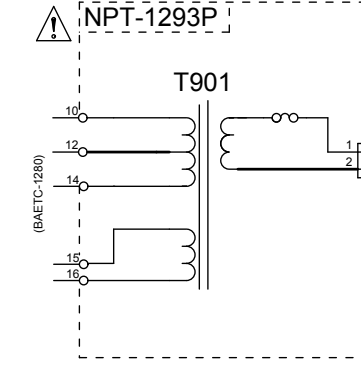
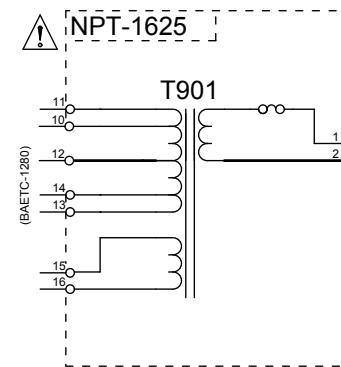
Model No. A-9050 / A-9030 / M-5010 / ADM-20.4 SCHEMATIC DIAGRAM (PART-5) Digital Section

THIS SYMBOL LOCATED NEAR THE FUSE INDICATES THAT THE FUSE USED IS SLOW OPERATING TYPE FOR CONTINUED PROTECTION AGAINST FIRE HAZARD. REPLACE WITH SAME TYPE FUSE. FOR FUSE RATING REFER TO THE MAKING ADJACENT TO THE SYMBOL.

CE SYMBOLE INDIQUE QUE LE FUSIBLE UTILISE EST A LENT, E POUR UNE PROTECTION PERMANENTE CONTRE LE DANGER D'INCENDIE. REMPLACER UNIQUEMENT PAR UN FUSIBLE DE MEME TYPE. CE DERNIER EST INDIQUE LA OÙ LE PRESENT SYMBOLE EST APPOSE.

CAUTION
FOR CONTINUED PROTECTION AGAINST FIRE HAZARD, REPLACE ONLY WITH FUSE OF SAME TYPE AND RATING INDICATED.

ATTENTION
AFIN D'ASSURER UNE PROTECTION PERMANENTE CONTRE LES RISQUES D'INCENDIE, REMPLACER UNIQUEMENT PAR UN FUSIBLE DE MEME TYPE ET CALIBRATION COMME INDIQUE.



Trans List

A-9050 MPP	NPT-1625P
A-9050 MDC	NPT-1625D
A-9050 MJJ	NPT-1625J
A-9030 MGP	NPT-1293P
A-9030 MGO	
A-9030 MGR	
M-5010 MDC	NPT-1625D
ADM-20.4 MDD	

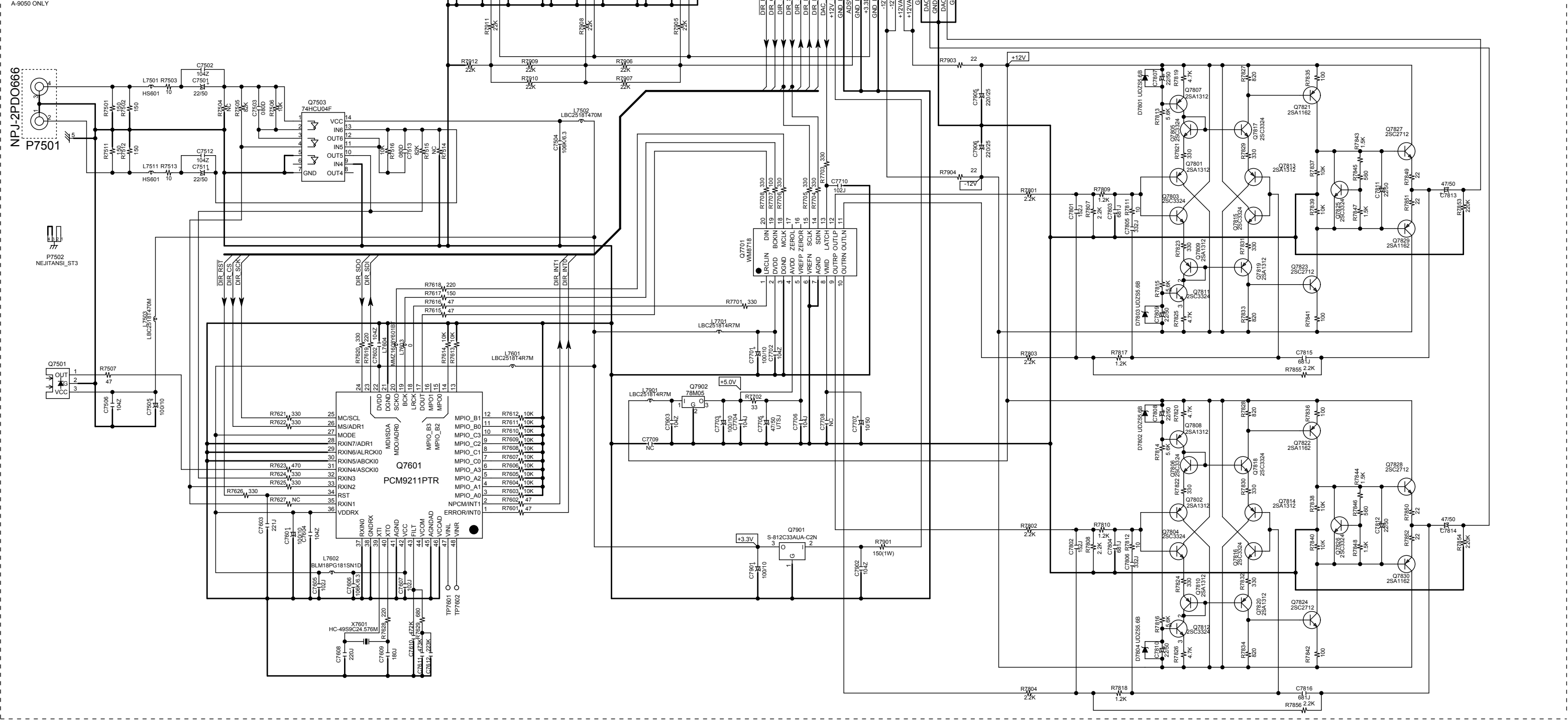
NOTE_5

- THE COMPONENTS IDENTIFIED BY MARK ARE CRITICAL FOR SAFETY. REPLACE ONLY WITH PART NUMBER SPECIFIED.
- VOLTAGE (MEASURED WITH VOLTMETER) IS DC VOLTAGE. (NO INPUT SIGNAL)
- ELECTROLYTIC CAPACITORS () ARE IN μ F/VV.
- ALL CAPACITORS ARE IN μ F/50V UNLESS OTHERWISE NOTED.
- EX) 030-33 μ F 330-33 μ F 331-33 μ F 333-0.033 μ F
- CIRCUIT IS SUBJECT TO CHANGE FOR IMPROVEMENT.

・印は火災、感電の危険に關する部品の為、必ず指定部品を使用の事。
 ・電圧表示は測電針等に測定した電圧電圧を示す。
 ・単位V、入力抵抗100k Ω 、Vは10V以上の電圧。
 ・記入なきコンデンサの単位は μ F/50VVである。
 ・記入なきコンデンサの単位は μ F/50VVである。
 例) 030-33 μ F 330-33 μ F 331-33 μ F 333-0.033 μ F
 ・本配線図は基本配線図につき性能改善等により予告なく変更する事がある。

U0030
Digital PC BOARD

BADG-1269
A-9050 ONLY



A-9050(B)MDC**<Note>**

Parts marked by "NSP" are generally unavailable because they are not in our Master Spare Parts List.

NOTE : THE COMPONENTS IDENTIFIED BY THE MARK ! ARE CRITICAL FOR RISK OF FIRE AND ELECTRIC SHOCK. REPLACE ONLY WITH PART NUMBER SPECIFIED.

<Notes>**(B) : Black color model****<MDC> : 120V,Canadian/USA/(Mexico) model****A-9050(B)MDC****EXPLODED VIEW PARTS LIST**

REF. NO.	PART NAME	DESCRIPTION	Q'TY	PART NO. (SN)	REMARKS
[SEMI CONDUCTOR]					
D900	DIODE	LN15XB60	1	22380347	
Q523	TR	2SA1930(ONK_Q)	1	2203000	
Q524	TR	2SA1930(ONK_Q)	1	2203000	
Q525	TR	2SC5171(ONK_Q)	1	2203010	
Q526	TR	2SC5171(ONK_Q)	1	2203010	
Q527	TR	2SC5242-R	1	2202842	
Q527 or	TR	2SC5242-O	(1)	2202843	
Q527A	ISO SHEET	AC238	1	223024	
Q528	TR	2SC5242-R	1	2202842	
Q528 or	TR	2SC5242-O	(1)	2202843	
Q528A	ISO SHEET	AC238	1	223024	
Q529	TR	2SA1962-R	1	2202832	
Q529 or	TR	2SA1962-O	(1)	2202833	
Q529A	ISO SHEET	AC238	1	223024	
Q530	TR	2SA1962-R	1	2202832	
Q530 or	TR	2SA1962-O	(1)	2202833	
Q530A	ISO SHEET	AC238	1	223024	
[CHASSIS SCREW]					
A001	CHASSIS		1	27100574B	N
A002	LEG	(B)	4	27175464	
A003	CUSHION	(ZUL)	4	28141877	
A004	SCREW	3TTB+8B(3BC)	4	838430088GR	
A005	HOLDER	KGLS-6S	7	27190011	

A007	BUSHING	CE-016 L=125	1	28170112	
A010	HEAT SINK		1	27160676A	N
A011	RETAINER	(HEATSINK)	1	27142294	N
A012	RETAINER	(HS-2)	1	27141530A	
A013	RETAINER	(HEATSINK)B	2	27142300	
A015	SCREW	3SMS8W.SW+14B(CU)	5	801634	
A016	SCREW	3TTB+8B(3BC)	11	838430088GR	
A020	SCREW	4TTC+8C(3BC)SR	4	801658	
A050	SCREW	3TTB+8B(3BC)	38	838430088GR	
A051	WIRE TIE	BSK-1	5	260208	
A052	CLAMP	HL-38-0	2	27301779	
A060	SCREW	3SMS6W.SW+14B(CU)	4	801659	
A101	REAR PANEL	A-9050 MDC	1	27124465A	N
A102	TRM	E TERMINAL	1	25060151	
A103	CUSHION		2	28141799	
A111	SCREW	3TTF+10B(3BC)	2	835430108GR	
[CABINET]					
A201	F PANEL	A-9050(B)	1	27213590A	N
A202	BADGE		1	28135317	
A203	CLEAR PLT	RE(B)	1	28192370A	
A204	FACET	(3)	3	28200067A	
A205	FACET	(1)	4	28200066A	
A210	F BRACKET	(AS)A-9030B	1	27111607B	
A211	KNOB	(CAP-STBY)B	1	28327091A	
A212	KNOB	(TONE-VD)B(AS)	3	28327093A	
A213	KNOB	(INPUT)B(AS)	1	28327095A	
A214	KNOB	(VOL)B(AS)	1	28327101A	N
A215	PLATE	(VOL)	1	27262857	
A220	SCREW	3TTB+8B(3BC)	17	838430088GR	
A221	CLIP	CS-1U	1	27255004	
A222	TAPE	TAPE(CLOTH-8U)	1	29110082	
A230	COVER	(B)	1	28210114	N
A231	SCREW	3TTB+8B(3BC)	8	838430088GR	
A252	CUSHION	(BUTYL)	1	28141748	
[TRANS COIL]					
T901	P TRANS	NPT-1625D	1	2302058	N, !
[SW TRM]					

F900	FUSE	10A-T/UL-ST2	1	252333GR	!
F902	FUSE	10A-T/UL-ST2	1	252333GR	!
F951	FUSE	3.15A-UL/T-233	1	252323GR	!
F951A	LABEL	3.15A/125V	1	29361779	
P403	FFC	NCFC7-231212	1	2047231212	
P7002	FFC	NCFC5-071012	1	2045071012	
P710	FFC	NCFC7-311512	1	2047311512	
P901	AC INLET	R301X2PSn	1	25053358	!
P901A	FASTON AS	FASTON SOCKET	1	1F999026A	
[MECHA PARTS]					
A114	CUSHION	T5 x 20 x 15HBK	2	28141818	
A208	CUSHION	HIMELON	3	28141934	N
[TUNER UNIT]					
			1		
U001	U0010, U0011, U0012, U0013, U0014, U0015, U0016, U0017	BAAF-1267-1B *	1	1B280567-1B	MDC
U0010	Main PCB AS	BAAF-1267-1B	1	1B2805267-1B	
U0011	ETC PCB AS	BAETC-1275-1B	1	1B2805275-1B	
U0012	ETC PCB AS	BAETC-1278-1B	1	1B2805278-1B	
U0013	Power Supply PCB AS	BAPS-1280-1B	1	1B2805280-1B	
U0014	ETC PCB AS	BAETC-1281-1B	1	1B2805281-1B	
U0015	Power Supply PCB AS	BAPS-1289-1B	1	1B2805289-1B	
U0016	ETC PCB AS	BAETC-1290-1B	1	1B2805290-1B	
U0017	ETC PCB AS	BAETC-1298-1B	1	1B2805298-1B	
U002	U0020, U0021, U0022, U0023, U0024, U0025	BADIS-1268-1B *	1	1B280568-1B	MDC
U0020	Display PCB AS	BADIS-1268-1B	1	1B2805268-1B	
U0021	Switch PCB AS	BASW-1271-1B	1	1B2805271-1B	
U0022	Switch PCB AS	BASW-1272-1B	1	1B2805272-1B	
U0023	ETC PCB AS	BAETC-1273-1B	1	1B2805273-1B	
U0024	ETC PCB AS	BAETC-1274-1B	1	1B2805274-1B	
U0025	ETC PCB AS	BAETC-1276-1B	1	1B2805276-1B	
U003	U0030	BADG-1269-1A *	1	1B280569-1A	MDC
U0030	Digital PCB AS	BADG-1269-1A	1	1B2805269-1A	

A-9050(B)MDC

PACKING PROCEDURES PARTS LIST

REF. NO.	PART NAME	DESCRIPTION	Q'TY	PART NO. (SN)	REMARKS
[PACKING]					
A017	TAPE	TAPE(CLOTH-16U)	1	29110083	
A053	TAPE	TAPE(CLOTH-8U)	1	29110082	
A209	TAPE	TAPE(CLOTH-8U)	1	29110082	
A301	CARTON	A-9050	1	29055371B	
A311	PP TAPE	W50 SBT-70	1	29110200	
A351A	UPC LABEL	A-9050(B)MDC	{ 1}	29392043	N
A401	PAD	(AS)A-9030	1	29092628B	
A401A	PAD	(L)A-9030	{ 1}	29092629B	
A401B	PAD	(R)A-9030	{ 1}	29092630B	
A451	SHEET	1300 x 650	1	29096147	
A452	TAPE	(SEROHAN)NITTO NO.29	1	29110149	
[ACCESSARY]					
A501	WRNTY CARD	(ONKYO)	1	29365135	
A506	REMO CON	RC-830S	1	24140830	
A507	BATTERY	R03/AAA(UM-4)	2	3010124	
A507 or	BATTERY	R03/24D(UM-4)	(2)	3010503	
A701	INS MANUAL	En(A-9050)	1	29401270	N
A702	INS MANUAL	U2FrEs(A-9050)	1	29401271	N
A711	POLY BAG	w250xd350	1	29100250A	
A712	TAPE	(SEROHAN)NITTO NO.29	1	29110149	
P902	AC CORD	AS-UC-2	1	253352ATES	!

A-9050(B)MDC

PC BOARD PARTS LIST

U001

BAAF-1267-1B

CIRCUIT NO.	PART NAME	DESCRIPTION	Q'TY	PART NO. (SN)	REMARKS
[SEMI CONDUCTOR]					
D300	C-DIODE	KDS4148U	1	223283R2	
D300 or	C-DIODE	1SS352	(1)	223234R2	
D300 or	C-DIODE	1SS355	(1)	223269R2	
D301	C-DIODE	KDS4148U	1	223283R2	
D301 or	C-DIODE	1SS352	(1)	223234R2	

D301 or	C-DIODE	1SS355	(1)	223269R2
D302	ZENER D	UDZS7.5B	1	224550750R2
D303	ZENER D	UDZS7.5B	1	224550750R2
D304	C-DIODE	KDS4148U	1	223283R2
D304 or	C-DIODE	1SS352	(1)	223234R2
D304 or	C-DIODE	1SS355	(1)	223269R2
D315	C-DIODE	KDS4148U	1	223283R2
D315 or	C-DIODE	1SS352	(1)	223234R2
D315 or	C-DIODE	1SS355	(1)	223269R2
D316	C-DIODE	KDS4148U	1	223283R2
D316 or	C-DIODE	1SS352	(1)	223234R2
D316 or	C-DIODE	1SS355	(1)	223269R2
D317	C-DIODE	KDS4148U	1	223283R2
D317 or	C-DIODE	1SS352	(1)	223234R2
D317 or	C-DIODE	1SS355	(1)	223269R2
D322	DIODE	RL1N4003	1	22380260T
D323	DIODE	RL1N4003	1	22380260T
D324	DIODE	RL1N4003	1	22380260T
D325	C-DIODE	KDS4148U	1	223283R2
D325 or	C-DIODE	1SS352	(1)	223234R2
D325 or	C-DIODE	1SS355	(1)	223269R2
D380	C-DIODE	S1NB60-4062	1	22380318R2
D501	ZENER D	UDZS5.6B	1	224550560R2
D502	ZENER D	UDZS5.6B	1	224550560R2
D503	C-DIODE	KDS4148U	1	223283R2
D503 or	C-DIODE	1SS352	(1)	223234R2
D503 or	C-DIODE	1SS355	(1)	223269R2
D504	C-DIODE	KDS4148U	1	223283R2
D504 or	C-DIODE	1SS352	(1)	223234R2
D504 or	C-DIODE	1SS355	(1)	223269R2
D510	C-DIODE	KDS4148U	1	223283R2
D510 or	C-DIODE	1SS352	(1)	223234R2
D510 or	C-DIODE	1SS355	(1)	223269R2
D511	C-DIODE	KDS4148U	1	223283R2
D511 or	C-DIODE	1SS352	(1)	223234R2
D511 or	C-DIODE	1SS355	(1)	223269R2
D512	ZENER D	UDZS3.3B	1	224550330R2

D513	ZENER D	UDZS3.3B	1	224550330R2
D520	C-DIODE	KDS4148U	1	223283R2
D520 or	C-DIODE	1SS352	(1)	223234R2
D520 or	C-DIODE	1SS355	(1)	223269R2
D521	C-DIODE	KDS4148U	1	223283R2
D521 or	C-DIODE	1SS352	(1)	223234R2
D521 or	C-DIODE	1SS355	(1)	223269R2
D901	C-DIODE	S1NB60-4062	1	22380318R2
D902	C-DIODE	KDS4148U	1	223283R2
D902 or	C-DIODE	1SS352	(1)	223234R2
D902 or	C-DIODE	1SS355	(1)	223269R2
D951	C-DIODE	S1NB60-4062	1	22380318R2
D952	C-DIODE	KDS4148U	1	223283R2
D952 or	C-DIODE	1SS352	(1)	223234R2
D952 or	C-DIODE	1SS355	(1)	223269R2
D953	C-DIODE	KDS4148U	1	223283R2
D953 or	C-DIODE	1SS352	(1)	223234R2
D953 or	C-DIODE	1SS355	(1)	223269R2
D954	ZENER D	UDZS5.1B	1	224550510R2
D955	C-DIODE	KDS4148U	1	223283R2
D955 or	C-DIODE	1SS352	(1)	223234R2
D955 or	C-DIODE	1SS355	(1)	223269R2
Q300	IC	R2S15211FP	1	22242297R3
Q301	TR	RTAN430C-T112-1	1	2217780R2
Q301 or	TR	RN1441	(1)	2215410R2
Q302	TR	RTAN430C-T112-1	1	2217780R2
Q302 or	TR	RN1441	(1)	2215410R2
Q303	TR	RTAN430C-T112-1	1	2217780R2
Q303 or	TR	RN1441	(1)	2215410R2
Q304	TR	RTAN430C-T112-1	1	2217780R2
Q304 or	TR	RN1441	(1)	2215410R2
Q305	IC	79M12HF(NJM79M12FA)	1	222790125JRC
Q306	IC	78M12HF(NJM78M12FA)	1	222780125JRC
Q306A	HEAT SINK	RAD-231	1	27160592
Q306B	SCREW	3P+6FN(3BC)	2	82143006GR
Q315	TR	2SC3324-GR(TE85L_F)	1	2216825R2
Q316	TR	2SC3324-GR(TE85L_F)	1	2216825R2

Q317	TR	2SA1312-GR(TE85L_F)	1	2216835R2
Q318	TR	2SA1312-GR(TE85L_F)	1	2216835R2
Q319	TR	2SC3324-GR(TE85L_F)	1	2216825R2
Q320	TR	2SC3324-GR(TE85L_F)	1	2216825R2
Q321	IC	NJM4580M-D	1	22241448R2
Q322	TR	RTAN430C-T112-1	1	2217780R2
Q322 or	TR	RN1441	(1)	2215410R2
Q325	IC	NJM4580M-D	1	22241448R2
Q340	TR	KRC105S	1	2217290R2
Q4100	IC	LM61CIZ	1	22242212
Q4100A	RETAINER	(PTH)	1	27141884-1
Q501	TR	2SC3324-BL	1	2216826R2
Q502	TR	2SC3324-BL	1	2216826R2
Q503	TR	2SC3324-BL	1	2216826R2
Q504	TR	2SC3324-BL	1	2216826R2
Q505	TR	2SC3324-BL	1	2216826R2
Q506	TR	2SC3324-BL	1	2216826R2
Q507	TR	2SA949-Y(TPE6_F)	1	2211354T
Q507 or	TR	2SA949-O(TPE6_F)	(1)	2211353T
Q508	TR	2SA949-Y(TPE6_F)	1	2211354T
Q508 or	TR	2SA949-O(TPE6_F)	(1)	2211353T
Q509	TR	2SA949-Y(TPE6_F)	1	2211354T
Q509 or	TR	2SA949-O(TPE6_F)	(1)	2211353T
Q510	TR	2SA949-Y(TPE6_F)	1	2211354T
Q510 or	TR	2SA949-O(TPE6_F)	(1)	2211353T
Q511	TR	2SA949-Y(TPE6_F)	1	2211354T
Q511 or	TR	2SA949-O(TPE6_F)	(1)	2211353T
Q512	TR	2SA949-Y(TPE6_F)	1	2211354T
Q512 or	TR	2SA949-O(TPE6_F)	(1)	2211353T
Q513	TR	2SC2229-Y(TPE6_F)	1	2211634T
Q513 or	TR	2SC2229-O(TPE6_F)	(1)	2211633T
Q514	TR	2SC2229-Y(TPE6_F)	1	2211634T
Q514 or	TR	2SC2229-O(TPE6_F)	(1)	2211633T
Q515	TR	KTC3198-GR	1	2215985T
Q516	TR	KTC3198-GR	1	2215985T
Q517	TR	KTC3198-GR	1	2215985T
Q518	TR	KTC3198-GR	1	2215985T

Q519	TR	2SC2229-Y(TPE6_F)	1	2211634T
Q519 or	TR	2SC2229-O(TPE6_F)	(1)	2211633T
Q520	TR	2SC2229-Y(TPE6_F)	1	2211634T
Q520 or	TR	2SC2229-O(TPE6_F)	(1)	2211633T
Q521	TR	2SA949-Y(TPE6_F)	1	2211354T
Q521 or	TR	2SA949-O(TPE6_F)	(1)	2211353T
Q522	TR	2SA949-Y(TPE6_F)	1	2211354T
Q522 or	TR	2SA949-O(TPE6_F)	(1)	2211353T
Q531	TR	2SC2229-Y(TPE6_F)	1	2211634T
Q531 or	TR	2SC2229-O(TPE6_F)	(1)	2211633T
Q532	TR	2SC2229-Y(TPE6_F)	1	2211634T
Q532 or	TR	2SC2229-O(TPE6_F)	(1)	2211633T
Q533	TR	KTA1266-GR	1	2215975T
Q534	TR	KTA1266-GR	1	2215975T
Q550	TR	2SA1163-BL(TE85L_F)	1	2216756R2
Q550 or	TR	KTA1517-GR	(1)	2216305R2
Q550 or	TR	KTA1517-BL	(1)	2216306R2
Q551	TR	2SA1163-BL(TE85L_F)	1	2216756R2
Q551 or	TR	KTA1517-GR	(1)	2216305R2
Q551 or	TR	KTA1517-BL	(1)	2216306R2
Q552	TR	2SC2712-GR	1	2213145R2
Q552 or	TR	KTC3875-GR	(1)	2216175R2
Q553	TR	2SC2712-GR	1	2213145R2
Q553 or	TR	KTC3875-GR	(1)	2216175R2
Q560	TR	KRC105S	1	2217290R2
Q560 or	TR	RN1405	(1)	2214500R2
Q560 or	TR	DTC123JKA	(1)	2216690R2
Q561	TR	KRC105S	1	2217290R2
Q561 or	TR	RN1405	(1)	2214500R2
Q561 or	TR	DTC123JKA	(1)	2216690R2
Q900	TR	KRC105S	1	2217290R2
Q900 or	TR	RN1405	(1)	2214500R2
Q900 or	TR	DTC123JKA	(1)	2216690R2
Q951	IC	S-80127CNMC-JKM-T2	1	22241642R2
Q952	TR	KRC105S	1	2217290R2
Q952 or	TR	RN1405	(1)	2214500R2
Q952 or	TR	DTC123JKA	(1)	2216690R2

[TRANS COIL]						
L390	EMIFIL	BK1608LM182-T	1	230958R1		
L501	FR CORE	---	1	5597-45502		
L502	FR CORE	---	1	5597-45502		
L503	FR CORE	---	1	5597-45502		
L504	FR CORE	---	1	5597-45502		
L505	S COIL	SC-0.8X11.5X12.5T-6.5L	1	231393S		
L506	S COIL	SC-0.8X11.5X12.5T-6.5L	1	231393S		
L7005	CHOKE COIL	LBC2518T220M	1	231364M220R2		
L7006	CHOKE COIL	LBC2518T220M	1	231364M220R2		
L7007	CHOKE COIL	LBC2518T220M	1	231364M220R2		
T951	P TRANS	NPT-1520JQ	1	2301812A		!
[CAPACITOR]						
C301	UTSP C	CE04W25V-220M(UTSP)	1	397552217T		
C302	UTSP C	CE04W25V-220M(UTSP)	1	397552217T		
C304	TF C	ECQ-V50V-104J	1	374721044T		
C305	TF C	ECQ-V50V-104J	1	374721044T		
C306	TF C	ECQ-V50V-223J	1	374722234T		
C307	TF C	ECQ-V50V-104J	1	374721044T		
C308	TF C	ECQ-V50V-104J	1	374721044T		
C309	TF C	ECQ-V50V-223J	1	374722234T		
C310	UTSP C	CE04W50V-10M(UTSP)	1	397581007T		
C310 or	UTSP C	CE04W50V-10M(UTSP)	(1)	397581007AT		
C311	UTSP C	CE04W50V 47M(UTSP)	1	397584707T		
C311 or	UTSP C	CE04W50V 47M(UTSP)	(1)	397584707AT		
C312	UTSP C	CE04W50V 47M(UTSP)	1	397584707T		
C312 or	UTSP C	CE04W50V 47M(UTSP)	(1)	397584707AT		
C313	UTSP C	CE04W50V-10M(UTSP)	1	397581007T		
C313 or	UTSP C	CE04W50V-10M(UTSP)	(1)	397581007AT		
C315	UTSP C	CE04W25V-220M(UTSP)	1	397552217T		
C316	UTSP C	CE04W25V-220M(UTSP)	1	397552217T		
C317	UTSP C	CE04W16V-470M(UTSP)	1	397544717T		
C318	UTSP C	CE04W16V-470M(UTSP)	1	397544717T		
C319	TF C	ECQ-V50V-104J	1	374721044T		
C330	TF C	ECQ-V50V-104J	1	374721044T		
C331	TF C	ECQ-V50V-104J	1	374721044T		
C332	TF C	ECQ-V50V-224J	1	374722244T		

C333	TF C	ECQ-V50V-224J	1	374722244T
C334	UTSP C	CE04W25V-100M(UTSP)	1	397551017AT
C335	UTSP C	CE04W25V-100M(UTSP)	1	397551017AT
C336	TF C	ECQ-V50V-334J	1	374723344T
C337	TF C	ECQ-V50V-334J	1	374723344T
C338	TF C	ECQ-V50V-224J	1	374722244T
C339	TF C	ECQ-V50V-224J	1	374722244T
C340	UTSP C	CE04W25V-220M(UTSP)	1	397552217T
C341	UTSP C	CE04W25V-220M(UTSP)	1	397552217T
C342	UTSP C	CE04W25V-220M(UTSP)	1	397552217T
C343	UTSP C	CE04W25V-220M(UTSP)	1	397552217T
C345	UTSP C	CE04W50V 47M(UTSP)	1	397584707T
C345 or	UTSP C	CE04W50V 47M(UTSP)	(1)	397584707AT
C346	UTSP C	CE04W50V 47M(UTSP)	1	397584707T
C346 or	UTSP C	CE04W50V 47M(UTSP)	(1)	397584707AT
C347	UTSP C	CE04W50V 47M(UTSP)	1	397584707T
C347 or	UTSP C	CE04W50V 47M(UTSP)	(1)	397584707AT
C348	TF C	ECQ-V50V-105J	1	374721054T
C349	TF C	ECQ-V50V-224J	1	374722244T
C350	UTSP C	CE04W50V 47M(UTSP)	1	397584707T
C350 or	UTSP C	CE04W50V 47M(UTSP)	(1)	397584707AT
C351	C-CERA C	CC725CH1H-102J1	1	342101024R1
C352	MKT C	B32529C0102J289	1	376491024T
C353	MKT C	B32529C0102J289	1	376491024T
C354	UTSP C	CE04W50V 47M(UTSP)	1	397584707T
C354 or	UTSP C	CE04W50V 47M(UTSP)	(1)	397584707AT
C355	UTSP C	CE04W50V 47M(UTSP)	1	397584707T
C355 or	UTSP C	CE04W50V 47M(UTSP)	(1)	397584707AT
C356	C-CERA C	CC725CH1H-221J1	1	342102214R1
C357	C-CERA C	CC725CH1H-221J1	1	342102214R1
C358	UTSP C	CE04W25V-220M(UTSP)	1	397552217T
C359	UTSP C	CE04W25V-220M(UTSP)	1	397552217T
C360	MKT C	B32529C0102J289	1	376491024T
C361	MKT C	B32529C0102J289	1	376491024T
C362	MKT C	B32529C0472J289	1	376494724T
C363	MKT C	B32529C0472J289	1	376494724T
C364	MKT C	B32529C0152J289	1	376491524T

C365	MKT C	B32529C0152J289	1	376491524T	
C366	UTSP C	CE04W50V-22M(UTSP)	1	397582207T	
C366 or	UTSP C	CE04W50V-22M(UTSP)	(1)	397582207AT	
C367	UTSP C	CE04W50V-22M(UTSP)	1	397582207T	
C367 or	UTSP C	CE04W50V-22M(UTSP)	(1)	397582207AT	
C368	MKT C	B32529C0222J289	1	376492224T	
C369	MKT C	B32529C0222J289	1	376492224T	
C370	UTSP C	CE04W25V-220M(UTSP)	1	397552217T	
C371	C-CERA C	CK725F1E-104Z1	1	332161040R1	
C372	UTSP C	CE04W25V-220M(UTSP)	1	397552217T	
C373	C-CERA C	CK725F1E-104Z1	1	332161040R1	
C375	UPZ C	2AUPZTF221JE	1	376332214T	
C376	UPZ C	2AUPZTF221JE	1	376332214T	
C377	UPZ C	2AUPZTF221JE	1	376332214T	
C378	UPZ C	2AUPZTF221JE	1	376332214T	
C380	UPZ C	2AUPZTF221JE	1	376332214T	
C381	UPZ C	2AUPZTF221JE	1	376332214T	
C382	UPZ C	2AUPZTF221JE	1	376332214T	
C383	UPZ C	2AUPZTF221JE	1	376332214T	
C384	TF C	ECQ-V50V-334J	1	374723344T	
C385	TF C	ECQ-V50V-334J	1	374723344T	
C386	UTSK C	CE04W50V-1000M(UTSK)	1	398381027S	
C387	UTSK C	CE04W50V-1000M(UTSK)	1	398381027S	
C389	UPZ C	2AUPZTF221JE	1	376332214T	
C390	UPZ C	2AUPZTF221JE	1	376332214T	
C392	C-CERA C	CC725CH1H-221J1	1	342102214R1	
C393	C-CERA C	CC725CH1H-221J1	1	342102214R1	
C394	C-CERA C	CC725CH1H-102J1	1	342101024R1	
C395	C-CERA C	CC725CH1H-221J1	1	342102214R1	
C396	C-CERA C	CC725CH1H-102J1	1	342101024R1	
C397	C-CERA C	CC725CH1H-101J1	1	342101014R1	
C401	TF C	ECQ-V50V-104J	1	374721044T	
C4101	C-CERA C	CK725F1E-104Z1	1	332161040R1	
C501	UTSJ C	CE04W50V-22M(UTSJ)	1	398082207BT	N
C501 or	UTSJ C	CE04W50V-22M(UTSJ)	(1)	398082207AT	
C502	UTSJ C	CE04W50V-22M(UTSJ)	1	398082207BT	N
C502 or	UTSJ C	CE04W50V-22M(UTSJ)	(1)	398082207AT	

C503	UPZ C	2AUPZTF331JE	1	376333314T
C504	UPZ C	2AUPZTF331JE	1	376333314T
C505	UTSP C	CE04W25V-220M(UTSP)	1	397552217T
C506	UTSP C	CE04W25V-220M(UTSP)	1	397552217T
C507	UTSP C	CE04W50V-22M(UTSP)	1	397582207T
C507 or	UTSP C	CE04W50V-22M(UTSP)	(1)	397582207AT
C508	UTSP C	CE04W50V-22M(UTSP)	1	397582207T
C508 or	UTSP C	CE04W50V-22M(UTSP)	(1)	397582207AT
C509	UTSP C	CE04W50V-22M(UTSP)	1	397582207T
C509 or	UTSP C	CE04W50V-22M(UTSP)	(1)	397582207AT
C510	UTSP C	CE04W50V-22M(UTSP)	1	397582207T
C510 or	UTSP C	CE04W50V-22M(UTSP)	(1)	397582207AT
C511	TF C	ECQ-V50V-103J	1	374721034T
C512	TF C	ECQ-V50V-103J	1	374721034T
C513	UTSP C	CE04W50V-10M(UTSP)	1	397581007T
C513 or	UTSP C	CE04W50V-10M(UTSP)	(1)	397581007AT
C514	UTSP C	CE04W50V-10M(UTSP)	1	397581007T
C514 or	UTSP C	CE04W50V-10M(UTSP)	(1)	397581007AT
C515	CERA C	CC45SL50V-040C	1	345020401T
C516	CERA C	CC45SL50V-040C	1	345020401T
C517	UPZ C	2AUPZTF101JE	1	376331014T
C518	UPZ C	2AUPZTF101JE	1	376331014T
C519	TF C	ECQ-V50V-103J	1	374721034T
C520	TF C	ECQ-V50V-103J	1	374721034T
C522	TF C	ECQ-V50V-473J	1	374724734T
C523	TF C	ECQ-V50V-473J	1	374724734T
C525	UTSP C	CE04W63V-100M(UTSP)	1	397571017T
C526	UTSP C	CE04W63V-100M(UTSP)	1	397571017T
C527	UTSP C	CE04W63V-100M(UTSP)	1	397571017T
C529	UTSP C	CE04W63V-100M(UTSP)	1	397571017T
C530	C-CERA C	CK725F1E-104Z1	1	332161040R1
C531	UTSP C	CE04W50V-100M(UTSP)	1	397581017T
C532	UTSP C	CE04W50V-1M(UTSP)	1	397580107T
C532 or	UTSP C	CE04W50V-1M(UTSP)	(1)	397580107AT
C533	UTSP C	CE04W50V-1M(UTSP)	1	397580107T
C533 or	UTSP C	CE04W50V-1M(UTSP)	(1)	397580107AT
C534	UTSP C	CE04W50V-1M(UTSP)	1	397580107T

C534 or	UTSP C	CE04W50V-1M(UTSP)	(1)	397580107AT	
C535	UTSP C	CE04W50V-22M(UTSP)	1	397582207T	
C535 or	UTSP C	CE04W50V-22M(UTSP)	(1)	397582207AT	
C536	UTSP C	CE04W50V-22M(UTSP)	1	397582207T	
C536 or	UTSP C	CE04W50V-22M(UTSP)	(1)	397582207AT	
C541	TF C	ECQ-V50V-104J	1	374721044T	
C542	TF C	ECQ-V50V-104J	1	374721044T	
C550	MKT C	B32529C0102J289	1	376491024T	
C551	MKT C	B32529C0102J289	1	376491024T	
C552	TF C	ECQ-V50V-103J	1	374721034T	
C553	TF C	ECQ-V50V-103J	1	374721034T	
C554	TF C	ECQ-V50V-103J	1	374721034T	
C555	TF C	ECQ-V50V-103J	1	374721034T	
C558	TF C	ECQ-V50V-103J	1	374721034T	
C559	TF C	ECQ-V50V-103J	1	374721034T	
C600	C-CERA C	CK725F1E-104Z1	1	332161040R1	
C7066	TF C	ECQ-V50V-104J	1	374721044T	
C7067	C-FILM C	ECHU50V-102J	1	373021024R2	
C7068	TF C	ECQ-V50V-104J	1	374721044T	
C7069	C-FILM C	ECHU50V-102J	1	373021024R2	
C900	TF C	ECQ-V50V-334J	1	374723344T	
C901	TF C	ECQ-V50V-334J	1	374723344T	
C903	UTSK C	CE04W25V-2200M(UTSK)	1	398352227S	
C904	TF C	ECQ-V50V-104J	1	374721044T	
C905	TF C	ECQ-V50V-334J	1	374723344T	
C906	TF C	ECQ-V50V-334J	1	374723344T	
C907	ELECT C	CE69W69V-10000MA	1	3504425	
C908	ELECT C	CE69W69V-10000MA	1	3504425	
C951	IS C	DE1310E472M-KH	1	3300054	!
C952	IS C	DE1E3KX102MB4BL01	1	3300066S	!
C952 or	PLA C	DE1E3KX102ME4BA01	(1)	3800043S	
C954	UTSK C	CE04W16V-1000M(UTSK)	1	398341027S	
C955	TF C	ECQ-V50V-104J	1	374721044T	
C956	UTSP C	CE04W50V-10M(UTSP)	1	397581007T	
C956 or	UTSP C	CE04W50V-10M(UTSP)	(1)	397581007AT	
C957	C-CERA C	CK725F1E-104Z1	1	332161040R1	
C958	C-CERA C	CK725F1E-104Z1	1	332161040R1	

C962	MKT C	B32529C0102J289	1	376491024T
C970	TF C	ECQ-V50V-104J	1	374721044T
C971	TF C	ECQ-V50V-104J	1	374721044T
[RESISTOR]				
R300	C-CARBON R	RN72K1J-224JE	1	435032244R1
R301	C-CARBON R	RN72K1J-224JE	1	435032244R1
R302	C-CARBON R	RN72K1J-271JE	1	435032714R1
R303	C-CARBON R	RN72K1J-271JE	1	435032714R1
R304	C-CARBON R	RN72K1J-101JE	1	435031014R1
R305	C-CARBON R	RN72K1J-101JE	1	435031014R1
R306	METAL O R	RS2WBJ-220	1	442722214F
R307	METAL O R	RS2WBJ-220	1	442722214F
R308	C-CARBON R	RN72K1J-472JE	1	435034724R1
R309	C-CARBON R	RN72K1J-472JE	1	435034724R1
R310	C-CARBON R	RN72K1J-103JE	1	435031034R1
R311	C-CARBON R	RN72K1J-103JE	1	435031034R1
R319	C-CARBON R	RN72K1J-000JE	1	435030004R1
R320	C-CARBON R	RN72K1J-222JE	1	435032224R1
R321	C-CARBON R	RN72K1J-000JE	1	435030004R1
R326	C-CARBON R	RN72K1J-271JE	1	435032714R1
R327	C-CARBON R	RN72K1J-271JE	1	435032714R1
R328	C-CARBON R	RN72K1J-222JE	1	435032224R1
R330	C-CARBON R	RN72K1J-000JE	1	435030004R1
R333	C-CARBON R	RN72K1J-000JE	1	435030004R1
R334	C-CARBON R	RN72K1J-000JE	1	435030004R1
R335	C-CARBON R	RN72K1J-000JE	1	435030004R1
R336	C-CARBON R	RN72K1J-000JE	1	435030004R1
R337	METAL O R	RS1WBJ-100	1	443621014T
R338	C-CARBON R	RN72K1J-000JE	1	435030004R1
R339	C-CARBON R	RN72K1J-000JE	1	435030004R1
R340	C-CARBON R	RN72K1J-000JE	1	435030004R1
R341	METAL O R	RS2WBJ-220	1	442722214F
R342	METAL O R	RS2WBJ-220	1	442722214F
R345	METAL O R	RS1/2WBJ-22	1	443522204T
R346	METAL O R	RS1/2WBJ-22	1	443522204T
R347	METAL O R	RS1/2WBJ-68	1	443526804T
R348	METAL O R	RS1/2WBJ-68	1	443526804T

R349	C-CARBON R	RN72K1J-000JE	1	435030004R1
R364	C-CARBON R	RN72K1J-102JE	1	435031024R1
R365	C-CARBON R	RN72K1J-102JE	1	435031024R1
R366	C-CARBON R	RN72K1J-474JE	1	435034744R1
R367	C-CARBON R	RN72K1J-474JE	1	435034744R1
R368	C-CARBON R	RN72K1J-224JE	1	435032244R1
R369	C-CARBON R	RN72K1J-224JE	1	435032244R1
R370	C-CARBON R	RN72K1J-332JE	1	435033324R1
R371	C-CARBON R	RN72K1J-332JE	1	435033324R1
R372	C-CARBON R	RN72K1J-332JE	1	435033324R1
R373	C-CARBON R	RN72K1J-332JE	1	435033324R1
R374	C-CARBON R	RN72K1J-153JE	1	435031534R1
R375	C-CARBON R	RN72K1J-153JE	1	435031534R1
R376	C-CARBON R	RN72K1J-562JE	1	435035624R1
R377	C-CARBON R	RN72K1J-562JE	1	435035624R1
R378	C-CARBON R	RN72K1J-562JE	1	435035624R1
R379	C-CARBON R	RN72K1J-562JE	1	435035624R1
R380	C-CARBON R	RN72K1J-123JE	1	435031234R1
R381	C-CARBON R	RN72K1J-123JE	1	435031234R1
R382	C-CARBON R	RN72K1J-332JE	1	435033324R1
R383	C-CARBON R	RN72K1J-332JE	1	435033324R1
R384	C-CARBON R	RN72K1J-331JE	1	435033314R1
R385	C-CARBON R	RN72K1J-331JE	1	435033314R1
R386	C-CARBON R	RN72K1J-272JE	1	435032724R1
R387	C-CARBON R	RN72K1J-272JE	1	435032724R1
R388	C-CARBON R	RN72K1J-221JE	1	435032214R1
R389	C-CARBON R	RN72K1J-221JE	1	435032214R1
R390	C-CARBON R	RN72K1J-331JE	1	435033314R1
R391	C-CARBON R	RN72K1J-331JE	1	435033314R1
R392	C-CARBON R	RN72K1J-104JE	1	435031044R1
R393	C-CARBON R	RN72K1J-104JE	1	435031044R1
R394	C-CARBON R	RN72K2E-220JE	1	43522204R1
R395	C-CARBON R	RN72K2E-220JE	1	43522204R1
R396	METAL O R	RS1/2WBJ-22	1	443522204T
R397	METAL O R	RS1/2WBJ-22	1	443522204T
R398	C-CARBON R	RN72K1J-224JE	1	435032244R1
R399	C-CARBON R	RN72K1J-103JE	1	435031034R1

R401	C-CARBON R	RN72K1J-102JE	1	435031024R1
R402	C-CARBON R	RN72K1J-102JE	1	435031024R1
R403	C-CARBON R	RN72K1J-563JE	1	435035634R1
R404	C-CARBON R	RN72K1J-563JE	1	435035634R1
R405	C-CARBON R	RN72K1J-224JE	1	435032244R1
R406	C-CARBON R	RN72K1J-224JE	1	435032244R1
R407	C-CARBON R	RN72K1J-122JE	1	435031224R1
R408	C-CARBON R	RN72K1J-122JE	1	435031224R1
R409	C-CARBON R	RN72K1J-564JE	1	435035644R1
R410	C-CARBON R	RN72K1J-564JE	1	435035644R1
R411	C-CARBON R	RN72K1J-473JE	1	435034734R1
R412	C-CARBON R	RN72K1J-473JE	1	435034734R1
R413	C-CARBON R	RN72K1J-122JE	1	435031224R1
R414	C-CARBON R	RN72K1J-122JE	1	435031224R1
R415	C-CARBON R	RN72K1J-821JE	1	435038214R1
R416	C-CARBON R	RN72K1J-821JE	1	435038214R1
R417	C-CARBON R	RN72K1J-224JE	1	435032244R1
R418	C-CARBON R	RN72K1J-224JE	1	435032244R1
R419	NF CARBON R	R25J-22	1	415472204T
R420	NF CARBON R	R25J-22	1	415472204T
R421	C-CARBON R	RN72K1J-331JE	1	435033314R1
R422	C-CARBON R	RN72K1J-331JE	1	435033314R1
R423	C-CARBON R	RN72K1J-104JE	1	435031044R1
R424	C-CARBON R	RN72K1J-104JE	1	435031044R1
R425	C-CARBON R	RN72K1J-331JE	1	435033314R1
R426	C-CARBON R	RN72K1J-331JE	1	435033314R1
R427	C-CARBON R	RN72K1J-104JE	1	435031044R1
R428	C-CARBON R	RN72K1J-104JE	1	435031044R1
R429	C-CARBON R	RN72K1J-331JE	1	435033314R1
R430	C-CARBON R	RN72K1J-331JE	1	435033314R1
R431	C-CARBON R	RN72K1J-104JE	1	435031044R1
R432	C-CARBON R	RN72K1J-104JE	1	435031044R1
R433	C-CARBON R	RN72K1J-331JE	1	435033314R1
R434	C-CARBON R	RN72K1J-331JE	1	435033314R1
R435	C-CARBON R	RN72K1J-104JE	1	435031044R1
R436	C-CARBON R	RN72K1J-104JE	1	435031044R1
R437	C-CARBON R	RN72K1J-331JE	1	435033314R1

R438	C-CARBON R	RN72K1J-331JE	1	435033314R1
R439	C-CARBON R	RN72K1J-224JE	1	435032244R1
R440	C-CARBON R	RN72K1J-224JE	1	435032244R1
R442	C-CARBON R	RN72K1J-471JE	1	435034714R1
R450	C-CARBON R	RN72K1J-103JE	1	435031034R1
R451	C-CARBON R	RN72K1J-103JE	1	435031034R1
R452	C-CARBON R	RN72K1J-103JE	1	435031034R1
R453	C-CARBON R	RN72K1J-103JE	1	435031034R1
R454	C-CARBON R	RN72K1J-103JE	1	435031034R1
R455	C-CARBON R	RN72K1J-682JE	1	435036824R1
R456	C-CARBON R	RN72K1J-272JE	1	435032724R1
R457	C-CARBON R	RN72K1J-682JE	1	435036824R1
R458	C-CARBON R	RN72K1J-224JE	1	435032244R1
R459	C-CARBON R	RN72K1J-102JE	1	435031024R1
R460	C-CARBON R	RN72K1J-223JE	1	435032234R1
R461	C-CARBON R	RN72K1J-101JE	1	435031014R1
R462	C-CARBON R	RN72K1J-224JE	1	435032244R1
R463	C-CARBON R	RN72K1J-224JE	1	435032244R1
R465	C-CARBON R	RN72K1J-101JE	1	435031014R1
R466	C-CARBON R	RN72K1J-101JE	1	435031014R1
R467	METAL R	RNU1WCJ-6.8	1	453630684T
R470	C-CARBON R	RN72K1J-000JE	1	435030004R1
R480	C-CARBON R	RN72K1J-000JE	1	435030004R1
R501	CARBON R	R16J-4.7K	1	417344724T
R502	CARBON R	R16J-4.7K	1	417344724T
R503	CARBON R	R16J-56K	1	417345634T
R504	CARBON R	R16J-56K	1	417345634T
R505	CARBON R	R16J-330	1	417343314T
R506	CARBON R	R16J-330	1	417343314T
R507	CARBON R	R16J-220	1	417342214T
R508	CARBON R	R16J-220	1	417342214T
R509	CARBON R	R16J-220	1	417342214T
R510	CARBON R	R16J-220	1	417342214T
R511	CARBON R	R16J-6.8K	1	417346824T
R512	CARBON R	R16J-6.8K	1	417346824T
R513	CARBON R	R16J-120K	1	417341244T
R514	CARBON R	R16J-120K	1	417341244T

R515	CARBON R	R16J-1.8K	1	417341824T
R516	CARBON R	R16J-1.8K	1	417341824T
R517	CARBON R	R16J-1K	1	417341024T
R518	CARBON R	R16J-1K	1	417341024T
R519	CARBON R	R16J-1K	1	417341024T
R520	CARBON R	R16J-1K	1	417341024T
R521	METAL O R	RS1/2WBJ-82	1	443528204T
R522	METAL O R	RS1/2WBJ-82	1	443528204T
R523	METAL O R	RS1/2WBJ-82	1	443528204T
R524	METAL O R	RS1/2WBJ-82	1	443528204T
R525	METAL O R	RS1/2WBJ-82	1	443528204T
R526	METAL O R	RS1/2WBJ-82	1	443528204T
R527	METAL O R	RS1/2WBJ-82	1	443528204T
R528	METAL O R	RS1/2WBJ-82	1	443528204T
R529	METAL O R	RS1/2WBJ-47	1	443524704T
R530	METAL O R	RS1/2WBJ-47	1	443524704T
R531	CARBON R	R16J-18K	1	417341834T
R532	CARBON R	R16J-18K	1	417341834T
R533	CARBON R	R16J-120K	1	417341244T
R534	CARBON R	R16J-120K	1	417341244T
R535	CARBON R	R16J-18K	1	417341834T
R536	CARBON R	R16J-18K	1	417341834T
R537	CARBON R	R16J-100K	1	417341044T
R538	CARBON R	R16J-100K	1	417341044T
R539	CARBON R	R16J-10	1	417341004T
R540	CARBON R	R16J-10	1	417341004T
R541	CARBON R	R16J-10	1	417341004T
R542	CARBON R	R16J-10	1	417341004T
R543	METAL O R	RS1/2WBJ-68	1	443526804T
R544	METAL O R	RS1/2WBJ-68	1	443526804T
R545	C-CARBON R	RN72K1J-103JE	1	435031034R1
R546	C-CARBON R	RN72K1J-103JE	1	435031034R1
R547	METAL PR	MPR5W+5W 0R22	1	4000233
R548	METAL PR	MPR5W+5W 0R22	1	4000233
R551	CARBON R	R16J-33K	1	417343334T
R552	CARBON R	R16J-33K	1	417343334T
R553	C-CARBON R	RN72K1J-103JE	1	435031034R1

R554	C-CARBON R	RN72K1J-103JE	1	435031034R1
R555	C-CARBON R	RN72K1J-121JE	1	435031214R1
R556	C-CARBON R	RN72K1J-121JE	1	435031214R1
R561	CARBON R	R16J-1.8K	1	417341824T
R562	CARBON R	R16J-1.8K	1	417341824T
R563	CARBON R	R16J-100K	1	417341044T
R564	CARBON R	R16J-100K	1	417341044T
R568	METAL O R	RS1WBJ-220	1	443622214T
R569	METAL O R	RS1WBJ-220	1	443622214T
R570	METAL O R	RS1WBJ-470	1	443624714T
R571	METAL O R	RS1WBJ-470	1	443624714T
R575	C-CARBON R	RN72K1J-000JE	1	435030004R1
R577	C-CARBON R	RN72K1J-000JE	1	435030004R1
R579	C-CARBON R	RN72K1J-563JE	1	435035634R1
R580	C-CARBON R	RN72K1J-563JE	1	435035634R1
R581	CARBON R	R16J-4.7K	1	417344724T
R582	CARBON R	R16J-4.7K	1	417344724T
R583	C-CARBON R	RN72K1J-332JE	1	435033324R1
R584	C-CARBON R	RN72K1J-332JE	1	435033324R1
R585	C-CARBON R	RN72K1J-222JE	1	435032224R1
R586	C-CARBON R	RN72K1J-222JE	1	435032224R1
R587	TRIM R	N06HR1KBC	1	5210389T
R588	TRIM R	N06HR1KBC	1	5210389T
R589	C-CARBON R	RN72K1J-272JE	1	435032724R1
R590	C-CARBON R	RN72K1J-272JE	1	435032724R1
R591	NF CARBON R	R25J-10	1	415471004T
R592	NF CARBON R	R25J-10	1	415471004T
R593	NF CARBON R	R25J-120	1	415471214T
R594	NF CARBON R	R25J-120	1	415471214T
R595	NF CARBON R	R25J-120	1	415471214T
R596	NF CARBON R	R25J-120	1	415471214T
R597	NF CARBON R	R25J-15	1	415471504T
R598	NF CARBON R	R25J-15	1	415471504T
R599	NF CARBON R	R25J-15	1	415471504T
R600	NF CARBON R	R25J-15	1	415471504T
R601	NF CARBON R	R25J-2.2	1	415470224T
R602	NF CARBON R	R25J-2.2	1	415470224T

R603	NF CARBON R	R25J-2.2	1	415470224T
R604	NF CARBON R	R25J-2.2	1	415470224T
R606	C-CARBON R	RN72K1J-103JE	1	435031034R1
R607	C-CARBON R	RN72K2E-100JE	1	435221004R1
R608	C-CARBON R	RN72K2E-100JE	1	435221004R1
R609	C-CARBON R	RN72K1J-473JE	1	435034734R1
R610	C-CARBON R	RN72K1J-473JE	1	435034734R1
R613	METAL R	RNU1WCJ-8.2	1	453630824T
R614	METAL R	RNU1WCJ-8.2	1	453630824T
R615	C-CARBON R	RN72K1J-473JE	1	435034734R1
R617	METAL O R	RS1/2WBJ-15	1	443521504T
R618	METAL O R	RS1/2WBJ-15	1	443521504T
R619	METAL O R	RS1/2WBJ-15	1	443521504T
R620	METAL O R	RS1/2WBJ-15	1	443521504T
R623	METAL O R	RS1WBJ-390	1	443623914T
R624	METAL O R	RS1WBJ-390	1	443623914T
R625	C-CARBON R	RN72K1J-103JE	1	435031034R1
R626	C-CARBON R	RN72K1J-333JE	1	435033334R1
R628	C-CARBON R	RN72K1J-473JE	1	435034734R1
R629	C-CARBON R	RN72K1J-224JE	1	435032244R1
R630	C-CARBON R	RN72K1J-224JE	1	435032244R1
R631	C-CARBON R	RN72K1J-000JE	1	435030004R1
R632	C-CARBON R	RN72K1J-103JE	1	435031034R1
R640	CARBON R	R16J-22K	1	417342234T
R915	NF CARBON R	R25J-2.2	1	415470224T
R916	METAL O R	RS2WBJ-470	1	442724714F
R951	METAL O R	RS1/2WBJ-47	1	443524704T
R952	METAL O R	RS1/2WBJ-330	1	443523314T
R953	METAL O R	RS1/2WBJ-330	1	443523314T
R954	C-CARBON R	RN72K1J-393JE	1	435033934R1
R955	C-CARBON R	RN72K1J-273JE	1	435032734R1
R956	C-CARBON R	RN72K1J-562JE	1	435035624R1
R971	C-CARBON R	RN72K1J-223JE	1	435032234R1
R972	C-CARBON R	RN72K1J-223JE	1	435032234R1
R973	C-CARBON R	RN72K1J-223JE	1	435032234R1
R974	C-CARBON R	RN72K1J-223JE	1	435032234R1
R975	C-CARBON R	RN72K1J-223JE	1	435032234R1

R976	C-CARBON R	RN72K1J-223JE	1	435032234R1	
R977	C-CARBON R	RN72K1J-223JE	1	435032234R1	
R978	C-CARBON R	RN72K1J-223JE	1	435032234R1	
R979	C-CARBON R	RN72K1J-223JE	1	435032234R1	
R980	C-CARBON R	RN72K1J-223JE	1	435032234R1	
R981	C-CARBON R	RN72K1J-223JE	1	435032234R1	
R982	C-CARBON R	RN72K1J-000JE	1	435030004R1	
R983	C-CARBON R	RN72K1J-000JE	1	435030004R1	
[SW TRM]					
E7003	TRM-423(SCREW)	NEJITANSI ST3	1	25060495	
F900A	FUSE HOL	NSCT-1P2031	1	25052133T	!
F900B	FUSE HOL	NSCT-1P2031	1	25052133T	!
F902A	FUSE HOL	NSCT-1P2031	1	25052133T	!
F902B	FUSE HOL	NSCT-1P2031	1	25052133T	!
F951A	FUSE HOL	NSCT-1P2031	1	25052133T	!
F951B	FUSE HOL	NSCT-1P2031	1	25052133T	!
JL402A	WIRE HOL	NSCT-7P898	1	25051111	
JL402B	WIRE HOL	NSCT-7P898	1	25051111	
JL502A	WIRE HOL	NSCT-5P876	1	25051089	
JL502B	WIRE HOL	NSCT-5P876	1	25051089	
JL505A	WIRE HOL	NSCT-3P874	1	25051087	
JL505B	WIRE HOL	NSCT-3P874	1	25051087	
JL943A	WIRE HOL	NSCT-9P900	1	25051113	
JL943B	WIRE HOL	NSCT-9P900	1	25051113	
P403B	SOCKET	NSCT-23P2116	1	25052219	
P405A	SOCKET	NSCT-3P2183	1	25052286	
P405B	PLUG	NPLG-3P0958	1	25056008	
P411	PIN JACK	NPJ-2PDWR583	1	25045803	
P413	PIN JACK	NPJ-6PDRW665	1	25045894	
P414	ST JACK	MSJ-035-22	1	25045887	
P416	PIN JACK	NPJ-2PDWR583	1	25045803	
P417	PIN JACK	NPJ-1PDB746	1	25045998	N
P422	PIN JACK	NPJ-4PDRW592	1	25045812	
P440B	TRM-423(SCREW)	NEJITANSI ST3	1	25060495	
P451	HOLDER	HOLDER(CLAMP)	1	27190540-1	
P453	HOLDER	HOLDER(CLAMP)	1	27190540-1	
P500	TRM	NTM-4PDMRR426	1	25060500	

P501	TRM	NTM-4PDMRR426	1	25060500	
P511	PLUG	NPLG-2P29	1	25055038	
P512	PLUG	NPLG-2P29	1	25055038	
P520A	CRIMP AS	CRIMP AS	1	2069925200UL	
P7004	ST JACK	MSJ-064-05A SR	1	25045783	
P701B	PLUG	NPLG-7P121	1	25055137	
P710B	SOCKET	NSCT-31P2124	1	25052227	
P901	CRIMP AS	CRIMP AS	1	2069925402UL	
P902B	CRIMP AS	UL1015#18SIN-SVH 400 BLK	1	20799197UL	N
P903	CRIMP AS	CRIMP AS	1	2069925401UL	
P911	RETAINER	(BUS-BAR)	1	27142302	N
P912	RETAINER	(BUS-BAR)	1	27142302	N
P952	PLUG	NPLG-2P631	1	25055675	
P953	PLUG	NPLG-2P631	1	25055675	
P961	TRM-423(SCREW)	NEJITANSI ST3	1	25060495	
P962	TRM-423(SCREW)	NEJITANSI ST3	1	25060495	
RL300	RELAY	NRL-2P2A-DC12-178	1	25065664	
RL500	RELAY	NRL-2P5A-DC24-129	1	25065563A	
RL500 or	RELAY	NRL-2P8A-DC24-144	(1)	25065590	
RL500 or	RELAY	NRL-2P5A-DC24-193	(1)	25065703	
RL501	RELAY	NRL-2P5A-DC24-129	1	25065563A	
RL501 or	RELAY	NRL-2P8A-DC24-144	(1)	25065590	
RL501 or	RELAY	NRL-2P5A-DC24-193	(1)	25065703	
RL900	RELAY	NRL-1P10A-DC12-196	1	25065707	!
RL901	RELAY	NRL-1P10A-DC12-196	1	25065707	!
RL951	RELAY	NRL-1P5A-DC9-179	1	25065669	!
S952	SLIDE SW	NSS-22203	1	25065581	
S953	SLIDE SW	NSS-22203	1	25065581	

U002

BADIS-1268-1B

CIRCUIT NO. PART NAME DESCRIPTION Q'TY PART NO. (SN) REMARKS

[SEMI CONDUCTOR]

D7001	C-DIODE	KDS4148U	1	223283R2	
-------	---------	----------	---	----------	--

D7001 or	C-DIODE	1SS352	(1)	223234R2
D7001 or	C-DIODE	1SS355	(1)	223269R2
D7002	C-DIODE	KDS4148U	1	223283R2
D7002 or	C-DIODE	1SS352	(1)	223234R2
D7002 or	C-DIODE	1SS355	(1)	223269R2
D7005	LED	SCB3318E-D2	1	225487
D7005A	HOLDER	(LED-LH5-2)	1	27191336
D7006	LED	SCB3318E-D2	1	225487
D7006A	HOLDER	(LED-LH5-2)	1	27191336
D7012	LED	SCB3318E-D2	1	225487
D7012A	HOLDER	(LED-LH5-2)	1	27191336
D7013	LED	SCB3318E-D2	1	225487
D7013A	HOLDER	(LED-LH5-2)	1	27191336
D7014	LED	SCPW3618E-D2	1	225495
D7014A	HOLDER	(LED-LH5-2)	1	27191336
D7015	LED	SCPW3618E-D2	1	225495
D7015A	HOLDER	(LED-LH5-2)	1	27191336
D7016	LED	SCPW3618E-D2	1	225495
D7016A	HOLDER	(LED-LH5-2)	1	27191336
D7017	LED	SCB3318E-D2	1	225487
D7017A	HOLDER	(LED-LH5-2)	1	27191336
D7018	LED	SCB3318E-D2	1	225487
D7018A	HOLDER	(LED-LH5-2)	1	27191336
D7019	LED	SCB3318E-D2	1	225487
D7019A	HOLDER	(LED-LH5-2)	1	27191336
D7020	LED	SCB3318E-D2	1	225487
D7020A	HOLDER	(LED-LH5-2)	1	27191336
D7021	LED	SCB3318E-D2	1	225487
D7021A	HOLDER	(LED-LH5-2)	1	27191336
D7022	LED	SCB3318E-D2	1	225487
D7022A	HOLDER	(LED-LH5-2)	1	27191336
Q7001	IC	S-812C33AUA-C2N	1	22242222R2
Q7002	TR	KRA102S	1	2216220R2
Q7002 or	TR	RN2402	(1)	2214530R2
Q7002 or	TR	DTA114EKA	(1)	2217050R2
Q7003	TR	KRA102S	1	2216220R2
Q7003 or	TR	RN2402	(1)	2214530R2

Q7003 or	TR	DTA114EKA	(1)	2217050R2	
Q7004	IC	TA4805BF(TE16L_NQ)	1	22278005DBR2TO	
Q7005	TR	KRC102S	1	2216190R2	
Q7005 or	TR	RN1402	(1)	2214470R2	
Q7005 or	TR	DTC114EKA	(1)	2216250R2	
Q7006	IC	R5F212A7SNFA	1	222W0099R3	
Q7007	TR	KRC102S	1	2216190R2	
Q7007 or	TR	RN1402	(1)	2214470R2	
Q7007 or	TR	DTC114EKA	(1)	2216250R2	
Q7008	TR	KRA107S	1	2216350R2	
Q7008 or	TR	RN2407(TE85L_F)	(1)	2216360R2	
Q7008 or	TR	DTA114YKA	(1)	2216480R2	
Q7010	TR	KRA107S	1	2216350R2	
Q7010 or	TR	RN2407(TE85L_F)	(1)	2216360R2	
Q7010 or	TR	DTA114YKA	(1)	2216480R2	
Q7011	TR	KRC102S	1	2216190R2	
Q7011 or	TR	RN1402	(1)	2214470R2	
Q7011 or	TR	DTC114EKA	(1)	2216250R2	
Q7012	TR	KRC105S	1	2217290R2	
Q7012 or	TR	RN1405	(1)	2214500R2	
Q7012 or	TR	DTC123JKA	(1)	2216690R2	
Q7013	TR	KRC105S	1	2217290R2	
Q7013 or	TR	RN1405	(1)	2214500R2	
Q7013 or	TR	DTC123JKA	(1)	2216690R2	
Q7014	IC	S-812C50AUA-C3E	1	22242240R2	
Q7015	IC	S-812C33AUA-C2N	1	22242222R2	
Q7016	IC	R1EX24016ASAS0A	1	22242675R2	
Q7017	TR	KRC102S	1	2216190R2	
Q7017 or	TR	RN1402	(1)	2214470R2	
Q7017 or	TR	DTC114EKA	(1)	2216250R2	
Q7018	TR	KRA103S	1	2216230R2	
Q7018 or	TR	RN2403	(1)	2214540R2	
Q7019	IC	TA7291SG(O,M)	1	22240239A	N
Q7019 or	IC	TA7291SG(5_J)	(1)	22240239	
Q7020	TR	KRC102S	1	2216190R2	
Q7020 or	TR	RN1402	(1)	2214470R2	
Q7020 or	TR	DTC114EKA	(1)	2216250R2	

Q7021	TR	KRA103S	1	2216230R2
Q7021 or	TR	RN2403	(1)	2214540R2
Q7022	TR ARRAY	UPA672T	1	226067R2
Q7023	IC	BU2090F-E2	1	22242686R2
Q7024	REMO SENS	KSM-603TH5B	1	24130020
[TRANS COIL]				
L7001	CHOKE COIL	LBC2518T470M	1	231364M470R2
L7002	EMIFIL	BK1608LM182-T	1	230958R1
L7003	EMIFIL	BK1608LM182-T	1	230958R1
L7004	EMIFIL	BK1608LM182-T	1	230958R1
X7001	CERA LOCK	CSTLS16M0X51-A0	1	3010412T
[CAPACITOR]				
C7001	ELECT C	CE04W6.3V-220M	1	355722219T
C7002	C-CERA C	CC725CH1H-102J1	1	342101024R1
C7003	C-CERA C	CK725B1H-102K1	1	332101025R1
C7004	C-CERA C	CK725B1H-102K1	1	332101025R1
C7005	C-CERA C	CC725CH1H-102J1	1	342101024R1
C7006	C-CERA C	CK725F1E-104Z1	1	332161040R1
C7007	C-CERA C	CK725F1E-104Z1	1	332161040R1
C7009	C-CERA C	CC725CH1H-102J1	1	342101024R1
C7010	C-CERA C	CK725F1E-104Z1	1	332161040R1
C7011	C-CERA C	CK725F1E-104Z1	1	332161040R1
C7012	C-CERA C	CK725F1E-104Z1	1	332161040R1
C7013	ELECT C	CE04W50V-22M	1	355782209T
C7014	ELECT C	CE04W16V-100M	1	355741019T
C7015	C-CERA C	CK725F1E-104Z1	1	332161040R1
C7016	C-CERA C	CK725F1E-104Z1	1	332161040R1
C7017	C-CERA C	CK725F1E-104Z1	1	332161040R1
C7018	C-CERA C	CK725F1E-104Z1	1	332161040R1
C7021	C-CERA C	CK725F1E-104Z1	1	332161040R1
C7024	C-CERA C	CK725F1E-104Z1	1	332161040R1
C7025	C-CERA C	CC725CH1H-102J1	1	342101024R1
C7026	C-CERA C	CC725CH1H-102J1	1	342101024R1
C7027	C-CERA C	CK725F1E-104Z1	1	332161040R1
C7028	ELECT C	CE04W16V-47M(S)	1	353744709T
C7029	C-CERA C	CK725F1E-104Z1	1	332161040R1
C7030	ELECT C	CE04W16V-47M(S)	1	353744709T

C7031	ELECT C	CE04W16V-47M(S)	1	353744709T
C7036	C-CERA C	CC725CH1H-101J1	1	342101014R1
C7037	C-CERA C	CC725CH1H-101J1	1	342101014R1
C7038	C-CERA C	CK725B1H-223K1	1	332102235R1
C7039	C-CERA C	CC725CH1H-102J1	1	342101024R1
C7040	C-CERA C	CC725CH1H-102J1	1	342101024R1
C7041	C-CERA C	CK725F1E-104Z1	1	332161040R1
C7042	C-CERA C	CK725B1H-223K1	1	332102235R1
C7045	C-CERA C	CK725B1H-223K1	1	332102235R1
C7046	C-CERA C	CK725B1H-223K1	1	332102235R1
C7047	C-CERA C	CC725CH1H-101J1	1	342101014R1
C7048	C-CERA C	CC725CH1H-101J1	1	342101014R1
C7049	C-CERA C	CK725B1H-223K1	1	332102235R1
C7050	C-CERA C	CK732B16V-106K	1	332071065R2
C7051	C-CERA C	CK725B1H-223K1	1	332102235R1
C7052	C-CERA C	CK725B1H-223K1	1	332102235R1
C7053	C-CERA C	CK725B1H-223K1	1	332102235R1
C7054	C-CERA C	CK725B1H-223K1	1	332102235R1
C7055	C-CERA C	CK725B1H-223K1	1	332102235R1
C7056	C-CERA C	CC725CH1H-102J1	1	342101024R1
C7057	C-CERA C	CK725B1H-223K1	1	332102235R1
C7058	C-CERA C	CK725B1H-223K1	1	332102235R1
C7059	C-CERA C	CC725CH1H-102J1	1	342101024R1
C7060	ELECT C	CE04W16V-100M	1	355741019T
C7061	C-CERA C	CC725CH1H-221J1	1	342102214R1
C7062	C-CERA C	CC725CH1H-221J1	1	342102214R1
C7063	C-CERA C	CC725CH1H-102J1	1	342101024R1
C7070	C-CERA C	CK725F1E-104Z1	1	332161040R1
C7071	C-CERA C	CC725CH1H-102J1	1	342101024R1
C7073	C-CERA C	CK725F1E-104Z1	1	332161040R1
C7074	C-CERA C	CC725CH1H-102J1	1	342101024R1
C7075	C-CERA C	CC725CH1H-102J1	1	342101024R1
C7076	C-CERA C	CC725CH1H-102J1	1	342101024R1
C7078	C-CERA C	CC725CH1H-102J1	1	342101024R1
C7079	C-CERA C	CK725F1E-104Z1	1	332161040R1
[RESISTOR]				
R7001	C-CARBON R	RN72K1J-104JE	1	435031044R1

R7002	C-CARBON R	RN72K1J-102JE	1	435031024R1
R7003	C-CARBON R	RN72K1J-272JE	1	435032724R1
R7004	C-CARBON R	RN72K1J-102JE	1	435031024R1
R7005	C-CARBON R	RN72K1J-104JE	1	435031044R1
R7006	C-CARBON R	RN72K1J-224JE	1	435032244R1
R7007	C-CARBON R	RN72K1J-102JE	1	435031024R1
R7008	C-CARBON R	RN72K1J-470JE	1	435034704R1
R7009	C-CARBON R	RN72K1J-470JE	1	435034704R1
R7011	C-CARBON R	RN72K1J-470JE	1	435034704R1
R7012	C-CARBON R	RN72K1J-470JE	1	435034704R1
R7014	C-CARBON R	RN72K1J-470JE	1	435034704R1
R7015	C-CARBON R	RN72K1J-470JE	1	435034704R1
R7016	C-CARBON R	RN72K1J-470JE	1	435034704R1
R7017	C-CARBON R	RN72K1J-102JE	1	435031024R1
R7018	C-CARBON R	RN72K1J-473JE	1	435034734R1
R7022	C-CARBON R	RN72K1J-473JE	1	435034734R1
R7024	C-CARBON R	RN72K1J-102JE	1	435031024R1
R7025	C-CARBON R	RN72K1J-102JE	1	435031024R1
R7026	C-CARBON R	RN72K1J-272JE	1	435032724R1
R7027	C-CARBON R	RN72K1J-272JE	1	435032724R1
R7028	C-CARBON R	RN72K1J-103JE	1	435031034R1
R7029	C-CARBON R	RN72K1J-473JE	1	435034734R1
R7031	C-CARBON R	RN72K1J-102JE	1	435031024R1
R7033	C-CARBON R	RN72K1J-102JE	1	435031024R1
R7034	C-CARBON R	RN72K1J-102JE	1	435031024R1
R7035	C-CARBON R	RN72K1J-470JE	1	435034704R1
R7036	C-CARBON R	RN72K1J-470JE	1	435034704R1
R7037	C-CARBON R	RN72K1J-470JE	1	435034704R1
R7039	C-CARBON R	RN72K1J-470JE	1	435034704R1
R7040	C-CARBON R	RN72K1J-470JE	1	435034704R1
R7041	C-CARBON R	RN72K1J-470JE	1	435034704R1
R7042	C-CARBON R	RN72K1J-470JE	1	435034704R1
R7045	C-CARBON R	RN72K1J-473JE	1	435034734R1
R7046	C-CARBON R	RN72K1J-470JE	1	435034704R1
R7047	C-CARBON R	RN72K1J-470JE	1	435034704R1
R7048	C-CARBON R	RN72K1J-470JE	1	435034704R1
R7049	C-CARBON R	RN72K1J-272JE	1	435032724R1

R7051	C-CARBON R	RN72K1J-470JE	1	435034704R1
R7053	C-CARBON R	RN72K1J-470JE	1	435034704R1
R7054	C-CARBON R	RN72K1J-470JE	1	435034704R1
R7055	C-CARBON R	RN72K1J-470JE	1	435034704R1
R7056	C-CARBON R	RN72K1J-470JE	1	435034704R1
R7057	C-CARBON R	RN72K1J-221JE	1	435032214R1
R7058	C-CARBON R	RN72K1J-221JE	1	435032214R1
R7059	C-CARBON R	RN72K1J-470JE	1	435034704R1
R7060	C-CARBON R	RN72K1J-470JE	1	435034704R1
R7061	C-CARBON R	RN72K1J-470JE	1	435034704R1
R7063	C-CARBON R	RN72K1J-103JE	1	435031034R1
R7064	C-CARBON R	RN72K1J-101JE	1	435031014R1
R7069	C-CARBON R	RN72K1J-224JE	1	435032244R1
R7070	C-CARBON R	RN72K1J-470JE	1	435034704R1
R7071	C-CARBON R	RN72K1J-101JE	1	435031014R1
R7072	C-CARBON R	RN72K1J-470JE	1	435034704R1
R7075	C-CARBON R	RN72K1J-470JE	1	435034704R1
R7076	C-CARBON R	RN72K1J-470JE	1	435034704R1
R7077	C-CARBON R	RN72K1J-272JE	1	435032724R1
R7078	C-CARBON R	RN72K1J-272JE	1	435032724R1
R7079	C-CARBON R	RN72K1J-470JE	1	435034704R1
R7080	C-CARBON R	RN72K1J-470JE	1	435034704R1
R7081	C-CARBON R	RN72K1J-331JE	1	435033314R1
R7082	C-CARBON R	RN72K1J-470JE	1	435034704R1
R7083	C-CARBON R	RN72K1J-331JE	1	435033314R1
R7084	C-CARBON R	RN72K1J-331JE	1	435033314R1
R7085	C-CARBON R	RN72K1J-331JE	1	435033314R1
R7086	C-CARBON R	RN72K1J-101JE	1	435031014R1
R7087	C-CARBON R	RN72K1J-470JE	1	435034704R1
R7088	C-CARBON R	RN72K1J-470JE	1	435034704R1
R7089	C-CARBON R	RN72K1J-470JE	1	435034704R1
R7090	C-CARBON R	RN72K1J-470JE	1	435034704R1
R7092	C-CARBON R	RN72K1J-473JE	1	435034734R1
R7093	C-CARBON R	RN72K1J-331JE	1	435033314R1
R7094	C-CARBON R	RN72K1J-473JE	1	435034734R1
R7095	C-CARBON R	RN72K1J-222JE	1	435032224R1
R7096	C-CARBON R	RN72K1J-222JE	1	435032224R1

R7097	C-CARBON R	RN72K1J-104JE	1	435031044R1
R7098	VARI R	N11RLC20KB27Z	1	5121553
R7099	C-CARBON R	RN72K1J-102JE	1	435031024R1
R7100	C-CARBON R	RN72K1J-271JE	1	435032714R1
R7101	C-CARBON R	RN72K1J-000JE	1	435030004R1
R7102	C-CARBON R	RN72K1J-221JE	1	435032214R1
R7103	C-CARBON R	RN72K1J-474JE	1	435034744R1
R7104	C-CARBON R	RN72K1J-104JE	1	435031044R1
R7105	C-CARBON R	RN72K1J-221JE	1	435032214R1
R7106	C-CARBON R	RN72K1J-222JE	1	435032224R1
R7107	C-CARBON R	RN72K1J-222JE	1	435032224R1
R7108	VARI R	N11RLC20KB27Z	1	5121553
R7109	C-CARBON R	RN72K1J-102JE	1	435031024R1
R7110	C-CARBON R	RN72K1J-221JE	1	435032214R1
R7111	C-CARBON R	RN72K1J-221JE	1	435032214R1
R7112	C-CARBON R	RN72K1J-102JE	1	435031024R1
R7113	C-CARBON R	RN72K1J-474JE	1	435034744R1
R7114	C-CARBON R	RN72K1J-474JE	1	435034744R1
R7115	C-CARBON R	RN72K1J-471JE	1	435034714R1
R7116	C-CARBON R	RN72K1J-471JE	1	435034714R1
R7117	C-CARBON R	RN72K1J-471JE	1	435034714R1
R7118	C-CARBON R	RN72K1J-471JE	1	435034714R1
R7119	C-CARBON R	RN72K1J-471JE	1	435034714R1
R7120	C-CARBON R	RN72K1J-471JE	1	435034714R1
R7121	C-CARBON R	RN72K1J-471JE	1	435034714R1
R7122	C-CARBON R	RN72K1J-471JE	1	435034714R1
R7123	C-CARBON R	RN72K1J-471JE	1	435034714R1
R7124	VARI R	N16RGL20KB25M	1	5142522
R7125	VARI R	N11RLC20KB27Z	1	5121553
R7126	C-CARBON R	RN72K1J-102JE	1	435031024R1
R7127	C-CARBON R	RN72K1J-474JE	1	435034744R1
R7128	C-CARBON R	RN72K1J-101JE	1	435031014R1
R7129	C-CARBON R	RN72K1J-331JE	1	435033314R1
R7130	C-CARBON R	RN72K1J-563JE	1	435035634R1
R7131	C-CARBON R	RN72K1J-102JE	1	435031024R1
R7132	C-CARBON R	RN72K1J-563JE	1	435035634R1
R7133	C-CARBON R	RN72K1J-331JE	1	435033314R1

R7134	C-CARBON R	RN72K1J-472JE	1	435034724R1
R7135	C-CARBON R	RN72K1J-472JE	1	435034724R1
R7140	C-CARBON R	RN72K1J-103JE	1	435031034R1
R7144	C-CARBON R	RN72K1J-473JE	1	435034734R1
R7155	C-CARBON R	RN72K1J-473JE	1	435034734R1
R7156	C-CARBON R	RN72K1J-473JE	1	435034734R1
R7157	C-CARBON R	RN72K1J-332JE	1	435033324R1
R7200	C-CARBON R	RN72K1J-000JE	1	435030004R1
R7201	C-CARBON R	RN72K1J-000JE	1	435030004R1
R7202	C-CARBON R	RN72K1J-000JE	1	435030004R1
R7203	C-CARBON R	RN72K1J-000JE	1	435030004R1
R7204	C-CARBON R	RN72K1J-000JE	1	435030004R1
R7205	C-CARBON R	RN72K1J-000JE	1	435030004R1
R7206	C-CARBON R	RN72K1J-000JE	1	435030004R1
R7207	C-CARBON R	RN72K1J-000JE	1	435030004R1
R7208	C-CARBON R	RN72K1J-000JE	1	435030004R1
R7209	C-CARBON R	RN72K1J-000JE	1	435030004R1
R7210	C-CARBON R	RN72K1J-000JE	1	435030004R1
R7211	C-CARBON R	RN72K1J-000JE	1	435030004R1
R7212	C-CARBON R	RN72K1J-000JE	1	435030004R1
R7213	C-CARBON R	RN72K1J-000JE	1	435030004R1
R7214	C-CARBON R	RN72K1J-000JE	1	435030004R1
R7215	C-CARBON R	RN72K1J-000JE	1	435030004R1
R7217	C-CARBON R	RN72K1J-000JE	1	435030004R1
R7219	C-CARBON R	RN72K1J-000JE	1	435030004R1
R7220	C-CARBON R	RN72K1J-000JE	1	435030004R1
R7221	C-CARBON R	RN72K1J-000JE	1	435030004R1
R7222	C-CARBON R	RN72K1J-000JE	1	435030004R1
R7223	C-CARBON R	RN72K1J-000JE	1	435030004R1
R7224	C-CARBON R	RN72K1J-000JE	1	435030004R1
R7225	C-CARBON R	RN72K1J-000JE	1	435030004R1
R7226	C-CARBON R	RN72K1J-000JE	1	435030004R1
R7227	C-CARBON R	RN72K1J-000JE	1	435030004R1
R7228	C-CARBON R	RN72K1J-000JE	1	435030004R1
R7229	C-CARBON R	RN72K1J-000JE	1	435030004R1
R7230	C-CARBON R	RN72K1J-000JE	1	435030004R1
R7232	C-CARBON R	RN72K1J-000JE	1	435030004R1

R7233	C-CARBON R	RN72K1J-000JE	1	435030004R1
R7234	C-CARBON R	RN72K1J-000JE	1	435030004R1
R7235	C-CARBON R	RN72K1J-000JE	1	435030004R1
R7236	C-CARBON R	RN72K1J-000JE	1	435030004R1
R7237	C-CARBON R	RN72K1J-000JE	1	435030004R1
R7241	C-CARBON R	RN72K1J-000JE	1	435030004R1
R7242	C-CARBON R	RN72K1J-000JE	1	435030004R1
R7244	C-CARBON R	RN72K1J-000JE	1	435030004R1
R7245	C-CARBON R	RN72K1J-000JE	1	435030004R1
R7246	C-CARBON R	RN72K1J-000JE	1	435030004R1
R7247	C-CARBON R	RN72K1J-000JE	1	435030004R1
R7248	C-CARBON R	RN72K1J-000JE	1	435030004R1
R7249	C-CARBON R	RN72K1J-000JE	1	435030004R1
R7250	C-CARBON R	RN72K1J-000JE	1	435030004R1
R7252	C-CARBON R	RN72K1J-000JE	1	435030004R1
R7253	C-CARBON R	RN72K1J-000JE	1	435030004R1
R7254	C-CARBON R	RN72K1J-000JE	1	435030004R1
R7255	C-CARBON R	RN72K1J-000JE	1	435030004R1
R7256	C-CARBON R	RN72K1J-000JE	1	435030004R1
R7257	C-CARBON R	RN72K1J-000JE	1	435030004R1
R7258	C-CARBON R	RN72K1J-000JE	1	435030004R1
R7259	C-CARBON R	RN72K1J-000JE	1	435030004R1
R7260	C-CARBON R	RN72K1J-000JE	1	435030004R1
R7261	C-CARBON R	RN72K1J-000JE	1	435030004R1
R7262	C-CARBON R	RN72K1J-000JE	1	435030004R1
R7263	C-CARBON R	RN72K1J-000JE	1	435030004R1
R7264	C-CARBON R	RN72K1J-000JE	1	435030004R1
R7265	C-CARBON R	RN72K1J-000JE	1	435030004R1
R7266	C-CARBON R	RN72K1J-000JE	1	435030004R1
R7267	C-CARBON R	RN72K1J-000JE	1	435030004R1
R7268	C-CARBON R	RN72K1J-000JE	1	435030004R1
R7269	C-CARBON R	RN72K1J-000JE	1	435030004R1
R7270	C-CARBON R	RN72K1J-000JE	1	435030004R1
R7271	C-CARBON R	RN72K1J-000JE	1	435030004R1
R7301	C-CARBON R	RN72K1J-000JE	1	435030004R1
R7302	C-CARBON R	RN72K1J-000JE	1	435030004R1
R7303	C-CARBON R	RN72K1J-000JE	1	435030004R1

R7304	C-CARBON R	RN72K1J-000JE	1	435030004R1	
R7305	C-CARBON R	RN72K1J-000JE	1	435030004R1	
R7306	C-CARBON R	RN72K1J-000JE	1	435030004R1	
R7308	C-CARBON R	RN72K1J-000JE	1	435030004R1	
R7309	C-CARBON R	RN72K1J-000JE	1	435030004R1	
R7310	C-CARBON R	RN72K1J-000JE	1	435030004R1	
R7311	C-CARBON R	RN72K1J-000JE	1	435030004R1	
R7312	C-CARBON R	RN72K1J-000JE	1	435030004R1	
R7313	C-CARBON R	RN72K1J-000JE	1	435030004R1	
R7314	C-CARBON R	RN72K1J-000JE	1	435030004R1	
R7315	C-CARBON R	RN72K1J-000JE	1	435030004R1	
[SW TRM]					
A7000	RETAINER	(KNOB)	1	27142298A	N
A7000A	SCREW	3TTB+8B(3BC)	2	838430088GR	
E7001	TRM	NTM-1P232(M1700)	1	25060301	
E7002	TRM	NTM-1P232(M1700)	1	25060301	
E7004	RETAINER	(EARTH)	1	27142227	
E7005	RETAINER	(EARTH)	1	27142227	
P7001A	SOCKET	NSCT-31P2161	1	25052264	
P7002A	SOCKET	NSCT-7P2425	1	25052528	
P7002B	SOCKET	NSCT-7P2398	1	25052501	
P7003	SOCKET	NSCT-9P2243	1	25052346	
P7005	ST JACK	MSJ-035-05A BAG SR LF	1	25045927	
P7011	SOCKET AS	NSAS-6P2069	1	200EE390625UL	N
P7012A	SOCKET AS	NSAS-22P2088	1	2009991279UL	N
P7012B	PLUG	NPLG-11P358	1	25055375	
P7013A	SOCKET AS	NSAS-14P2086	1	2004C391410UL	N
P7013B	PLUG	NPLG-7P354	1	25055371	
P7016	SOCKET AS	NSAS-10P0909	1	200AA391010UL	N
P7017A	SOCKET AS	NSAS-18P2085	1	2004C391810UL	N
P7017B	PLUG	NPLG-9P356	1	25055373	
P7018A	SOCKET AS	NSAS-6P1970	1	2002A380615UL	
P7018B	PLUG	NPLG-3P131	1	25055147	
P701A	SOCKET AS	NSAS-14P2052	1	2003B201415UL	N
S7001	R ENCODE	EVEHC1F2524B	1	25065696W	
S7002	PUSH SW	NPS-111-S681	1	25035718T	
S7003	PUSH SW	NPS-111-S681	1	25035718T	

S7004	PUSH SW	NPS-111-S681	1	25035718T	
S7005	PUSH SW	NPS-111-S681	1	25035718T	

U003

BADG-1269-1A

CIRCUIT NO.	PART NAME	DESCRIPTION	Q'TY	PART NO. (SN)	REMARKS
[SEMI CONDUCTOR]					
D7801	ZENER D	UDZS5.6B	1	224550560R2	
D7801 or	ZENER D	MAZ8056-M	(1)	224750562R2	
D7802	ZENER D	UDZS5.6B	1	224550560R2	
D7802 or	ZENER D	MAZ8056-M	(1)	224750562R2	
D7803	ZENER D	UDZS5.6B	1	224550560R2	
D7803 or	ZENER D	MAZ8056-M	(1)	224750562R2	
D7804	ZENER D	UDZS5.6B	1	224550560R2	
D7804 or	ZENER D	MAZ8056-M	(1)	224750562R2	
Q7501	PHT CP	JSR1165-001recieving	1	24120143	
Q7503	IC	74HCU04F	1	222740046R2	
Q7601	IC	PCM9211PTR	1	22242703R2	
Q7701	IC	WM8718SEDS/RV	1	22241991R2	
Q7801	TR	2SA1312-GR(TE85L_F)	1	2216835R2	
Q7802	TR	2SA1312-GR(TE85L_F)	1	2216835R2	
Q7803	TR	2SC3324-GR(TE85L_F)	1	2216825R2	
Q7804	TR	2SC3324-GR(TE85L_F)	1	2216825R2	
Q7805	TR	2SC3324-GR(TE85L_F)	1	2216825R2	
Q7806	TR	2SC3324-GR(TE85L_F)	1	2216825R2	
Q7807	TR	2SA1312-GR(TE85L_F)	1	2216835R2	
Q7808	TR	2SA1312-GR(TE85L_F)	1	2216835R2	
Q7809	TR	2SA1312-GR(TE85L_F)	1	2216835R2	
Q7810	TR	2SA1312-GR(TE85L_F)	1	2216835R2	
Q7811	TR	2SC3324-GR(TE85L_F)	1	2216825R2	
Q7812	TR	2SC3324-GR(TE85L_F)	1	2216825R2	
Q7813	TR	2SA1312-GR(TE85L_F)	1	2216835R2	
Q7814	TR	2SA1312-GR(TE85L_F)	1	2216835R2	
Q7815	TR	2SC3324-GR(TE85L_F)	1	2216825R2	

Q7816	TR	2SC3324-GR(TE85L_F)	1	2216825R2
Q7817	TR	2SC3324-GR(TE85L_F)	1	2216825R2
Q7818	TR	2SC3324-GR(TE85L_F)	1	2216825R2
Q7819	TR	2SA1312-GR(TE85L_F)	1	2216835R2
Q7820	TR	2SA1312-GR(TE85L_F)	1	2216835R2
Q7821	TR	2SA1162-GR	1	2214375R2
Q7821 or	TR	KTA1504-GR	(1)	2216185R2
Q7822	TR	2SA1162-GR	1	2214375R2
Q7822 or	TR	KTA1504-GR	(1)	2216185R2
Q7823	TR	2SC2712-GR	1	2213145R2
Q7823 or	TR	KTC3875-GR	(1)	2216175R2
Q7824	TR	2SC2712-GR	1	2213145R2
Q7824 or	TR	KTC3875-GR	(1)	2216175R2
Q7825	TR	2SC3324-GR(TE85L_F)	1	2216825R2
Q7826	TR	2SC3324-GR(TE85L_F)	1	2216825R2
Q7827	TR	2SC2712-GR	1	2213145R2
Q7827 or	TR	KTC3875-GR	(1)	2216175R2
Q7828	TR	2SC2712-GR	1	2213145R2
Q7828 or	TR	KTC3875-GR	(1)	2216175R2
Q7829	TR	2SA1162-GR	1	2214375R2
Q7829 or	TR	KTA1504-GR	(1)	2216185R2
Q7830	TR	2SA1162-GR	1	2214375R2
Q7830 or	TR	KTA1504-GR	(1)	2216185R2
Q7901	IC	S-812C33AUA-C2N	1	2224222R2
Q7902	IC	78M05(NJM78M05FA)	1	222780055JRC
[TRANS COIL]				
L7501	EMIFIL	BK1608HS102-T	1	230955R2
L7502	CHOKE COIL	LBC2518T470M	1	231364M470R2
L7503	CHOKE COIL	LBC2518T470M	1	231364M470R2
L7511	EMIFIL	BK1608HS102-T	1	230955R2
L7601	CHOKE COIL	LBC2518T4R7M	1	231364M047R2
L7602	CORE	BLM18PG181SN1D	1	2350005R1
L7603	EMIFIL	BK1608LM182-T	1	230958R1
L7604	CORE	MMZ1608Y601BT	1	2350004R1
L7701	CHOKE COIL	LBC2518T4R7M	1	231364M047R2
L7901	CHOKE COIL	LBC2518T4R7M	1	231364M047R2
X7601	CRYSTAL	HC-49S 9C24.5760M	1	3010516R2

[CAPACITOR]

C7501	UTSP C	CE04W50V-22M(UTSP)	1	397582207T
C7501 or	UTSP C	CE04W50V-22M(UTSP)	(1)	397582207AT
C7502	C-CERA C	CK725F1E-104Z1	1	332161040R1
C7503	C-CERA C	CC725CH1H-080D1	1	342100802R1
C7504	C-CERA C	CK725B0J-106K	1	332091065R2
C7505	UTSP C	CE04W10V-100M(UTSP)	1	397531017AT
C7506	C-CERA C	CK725F1E-104Z1	1	332161040R1
C7511	UTSP C	CE04W50V-22M(UTSP)	1	397582207T
C7511 or	UTSP C	CE04W50V-22M(UTSP)	(1)	397582207AT
C7512	C-CERA C	CK725F1E-104Z1	1	332161040R1
C7513	C-CERA C	CC725CH1H-080D1	1	342100802R1
C7601	UTSP C	CE04W10V-100M(UTSP)	1	397531017AT
C7602	C-CERA C	CK725F1E-104Z1	1	332161040R1
C7603	C-CERA C	CC725CH1H-221J1	1	342102214R1
C7604	C-CERA C	CK725F1E-104Z1	1	332161040R1
C7605	C-CERA C	CC725CH1H-102J1	1	342101024R1
C7606	C-CERA C	CK725B0J-106K	1	332091065R2
C7607	C-CERA C	CC725CH1H-102J1	1	342101024R1
C7608	C-CERA C	CC725CH1H-220J1	1	342102204R1
C7609	C-CERA C	CC725CH1H-180J1	1	342101804R1
C7610	C-CERA C	CK725B1H-472K1	1	332104725R1
C7611	C-CERA C	CK725B1H-473K1	1	332104735R1
C7612	C-CERA C	CK725B1H-223K1	1	332102235R1
C7701	UTSP C	CE04W10V-100M(UTSP)	1	397531017AT
C7702	C-CERA C	CK725F1E-104Z1	1	332161040R1
C7703	UTSP C	CE04W10V-100M(UTSP)	1	397531017AT
C7704	C-FILM C	50ST104MA13216	1	376721047R2
C7705	UTSJ C	CE04W50V-47M(UTSJ)	1	398084707BT
C7706	C-FILM C	50ST104MA13216	1	376721047R2
C7707	UTSP C	CE04W50V-10M(UTSP)	1	397581007T
C7707 or	UTSP C	CE04W50V-10M(UTSP)	(1)	397581007AT
C7708	C-CERA C	CK725F1E-104Z1	1	332161040R1
C7710	C-CERA C	CC725CH1H-102J1	1	342101024R1
C7801	C-FILM C	ECHU50V-152J	1	373021524R2
C7802	C-FILM C	ECHU50V-152J	1	373021524R2
C7803	C-FILM C	ECHU50V-681J	1	373026814R2

C7804	C-FILM C	ECHU50V-681J	1	373026814R2
C7805	C-FILM C	ECHU50V-332J	1	373023324R2
C7806	C-FILM C	ECHU50V-332J	1	373023324R2
C7807	UTSP C	CE04W50V-22M(UTSP)	1	397582207T
C7807 or	UTSP C	CE04W50V-22M(UTSP)	(1)	397582207AT
C7808	UTSP C	CE04W50V-22M(UTSP)	1	397582207T
C7808 or	UTSP C	CE04W50V-22M(UTSP)	(1)	397582207AT
C7809	UTSP C	CE04W50V-22M(UTSP)	1	397582207T
C7809 or	UTSP C	CE04W50V-22M(UTSP)	(1)	397582207AT
C7810	UTSP C	CE04W50V-22M(UTSP)	1	397582207T
C7810 or	UTSP C	CE04W50V-22M(UTSP)	(1)	397582207AT
C7811	UTSP C	CE04W50V-22M(UTSP)	1	397582207T
C7811 or	UTSP C	CE04W50V-22M(UTSP)	(1)	397582207AT
C7812	UTSP C	CE04W50V-22M(UTSP)	1	397582207T
C7812 or	UTSP C	CE04W50V-22M(UTSP)	(1)	397582207AT
C7813	UTSP C	CE04W50V 47M(UTSP)	1	397584707T
C7813 or	UTSP C	CE04W50V 47M(UTSP)	(1)	397584707AT
C7814	UTSP C	CE04W50V 47M(UTSP)	1	397584707T
C7814 or	UTSP C	CE04W50V 47M(UTSP)	(1)	397584707AT
C7815	C-FILM C	ECHU50V-681J	1	373026814R2
C7816	C-FILM C	ECHU50V-681J	1	373026814R2
C7901	UTSP C	CE04W10V-100M(UTSP)	1	397531017AT
C7902	C-CERA C	CK725F1E-104Z1	1	332161040R1
C7903	C-CERA C	CK725F1E-104Z1	1	332161040R1
C7905	UTSP C	CE04W25V-220M(UTSP)	1	397552217T
C7906	UTSP C	CE04W25V-220M(UTSP)	1	397552217T
[RESISTOR]				
R7501	C-CARBON R	RN72K1J-151JE	1	435031514R1
R7502	C-CARBON R	RN72K1J-151JE	1	435031514R1
R7503	C-CARBON R	RN72K1J-121JE	1	435031214R1
R7505	C-CARBON R	RN72K1J-823JE	1	435038234R1
R7506	C-CARBON R	RN72K1J-103JE	1	435031034R1
R7507	C-CARBON R	RN72K1J-470JE	1	435034704R1
R7511	C-CARBON R	RN72K1J-151JE	1	435031514R1
R7512	C-CARBON R	RN72K1J-151JE	1	435031514R1
R7513	C-CARBON R	RN72K1J-121JE	1	435031214R1
R7515	C-CARBON R	RN72K1J-823JE	1	435038234R1

R7516	C-CARBON R	RN72K1J-103JE	1	435031034R1
R7601	C-CARBON R	RN72K1J-470JE	1	435034704R1
R7602	C-CARBON R	RN72K1J-470JE	1	435034704R1
R7603	C-CARBON R	RN72K1J-103JE	1	435031034R1
R7604	C-CARBON R	RN72K1J-103JE	1	435031034R1
R7605	C-CARBON R	RN72K1J-103JE	1	435031034R1
R7606	C-CARBON R	RN72K1J-103JE	1	435031034R1
R7607	C-CARBON R	RN72K1J-103JE	1	435031034R1
R7608	C-CARBON R	RN72K1J-103JE	1	435031034R1
R7609	C-CARBON R	RN72K1J-103JE	1	435031034R1
R7610	C-CARBON R	RN72K1J-103JE	1	435031034R1
R7611	C-CARBON R	RN72K1J-103JE	1	435031034R1
R7612	C-CARBON R	RN72K1J-103JE	1	435031034R1
R7613	C-CARBON R	RN72K1J-103JE	1	435031034R1
R7614	C-CARBON R	RN72K1J-103JE	1	435031034R1
R7615	C-CARBON R	RN72K1J-470JE	1	435034704R1
R7616	C-CARBON R	RN72K1J-470JE	1	435034704R1
R7617	C-CARBON R	RN72K1J-151JE	1	435031514R1
R7618	C-CARBON R	RN72K1J-221JE	1	435032214R1
R7619	C-CARBON R	RN72K1J-221JE	1	435032214R1
R7620	C-CARBON R	RN72K1J-331JE	1	435033314R1
R7621	C-CARBON R	RN72K1J-331JE	1	435033314R1
R7622	C-CARBON R	RN72K1J-331JE	1	435033314R1
R7623	C-CARBON R	RN72K1J-471JE	1	435034714R1
R7624	C-CARBON R	RN72K1J-331JE	1	435033314R1
R7625	C-CARBON R	RN72K1J-331JE	1	435033314R1
R7626	C-CARBON R	RN72K1J-331JE	1	435033314R1
R7628	C-CARBON R	RN72K1J-221JE	1	435032214R1
R7629	C-CARBON R	RN72K1J-681JE	1	435036814R1
R7701	C-CARBON R	RN72K1J-331JE	1	435033314R1
R7702	C-CARBON R	RN72K1J-330JE	1	435033304R1
R7703	C-CARBON R	RN72K1J-331JE	1	435033314R1
R7704	C-CARBON R	RN72K1J-331JE	1	435033314R1
R7705	C-CARBON R	RN72K1J-331JE	1	435033314R1
R7706	C-CARBON R	RN72K1J-331JE	1	435033314R1
R7707	C-CARBON R	RN72K1J-101JE	1	435031014R1
R7708	C-CARBON R	RN72K1J-331JE	1	435033314R1

R7801	C-CARBON R	RN72K1J-222JE	1	435032224R1
R7802	C-CARBON R	RN72K1J-222JE	1	435032224R1
R7803	C-CARBON R	RN72K1J-222JE	1	435032224R1
R7804	C-CARBON R	RN72K1J-222JE	1	435032224R1
R7807	C-CARBON R	RN72K1J-222JE	1	435032224R1
R7808	C-CARBON R	RN72K1J-222JE	1	435032224R1
R7809	C-CARBON R	RN72K1J-122JE	1	435031224R1
R7810	C-CARBON R	RN72K1J-122JE	1	435031224R1
R7811	C-CARBON R	RN72K1J-100JE	1	435031004R1
R7812	C-CARBON R	RN72K1J-100JE	1	435031004R1
R7813	C-CARBON R	RN72K1J-562JE	1	435035624R1
R7814	C-CARBON R	RN72K1J-562JE	1	435035624R1
R7815	C-CARBON R	RN72K1J-562JE	1	435035624R1
R7816	C-CARBON R	RN72K1J-562JE	1	435035624R1
R7817	C-CARBON R	RN72K1J-122JE	1	435031224R1
R7818	C-CARBON R	RN72K1J-122JE	1	435031224R1
R7819	C-CARBON R	RN72K1J-472JE	1	435034724R1
R7820	C-CARBON R	RN72K1J-472JE	1	435034724R1
R7821	C-CARBON R	RN72K1J-331JE	1	435033314R1
R7822	C-CARBON R	RN72K1J-331JE	1	435033314R1
R7823	C-CARBON R	RN72K1J-331JE	1	435033314R1
R7824	C-CARBON R	RN72K1J-331JE	1	435033314R1
R7825	C-CARBON R	RN72K1J-472JE	1	435034724R1
R7826	C-CARBON R	RN72K1J-472JE	1	435034724R1
R7827	C-CARBON R	RN72K1J-821JE	1	435038214R1
R7828	C-CARBON R	RN72K1J-821JE	1	435038214R1
R7829	C-CARBON R	RN72K1J-331JE	1	435033314R1
R7830	C-CARBON R	RN72K1J-331JE	1	435033314R1
R7831	C-CARBON R	RN72K1J-331JE	1	435033314R1
R7832	C-CARBON R	RN72K1J-331JE	1	435033314R1
R7833	C-CARBON R	RN72K1J-821JE	1	435038214R1
R7834	C-CARBON R	RN72K1J-821JE	1	435038214R1
R7835	C-CARBON R	RN72K1J-101JE	1	435031014R1
R7836	C-CARBON R	RN72K1J-101JE	1	435031014R1
R7837	C-CARBON R	RN72K1J-103JE	1	435031034R1
R7838	C-CARBON R	RN72K1J-103JE	1	435031034R1
R7839	C-CARBON R	RN72K1J-103JE	1	435031034R1

R7840	C-CARBON R	RN72K1J-103JE	1	435031034R1
R7841	C-CARBON R	RN72K1J-101JE	1	435031014R1
R7842	C-CARBON R	RN72K1J-101JE	1	435031014R1
R7843	C-CARBON R	RN72K1J-152JE	1	435031524R1
R7844	C-CARBON R	RN72K1J-152JE	1	435031524R1
R7845	C-CARBON R	RN72K1J-561JE	1	435035614R1
R7846	C-CARBON R	RN72K1J-561JE	1	435035614R1
R7847	C-CARBON R	RN72K1J-152JE	1	435031524R1
R7848	C-CARBON R	RN72K1J-152JE	1	435031524R1
R7849	C-CARBON R	RN72K1J-220JE	1	435032204R1
R7850	C-CARBON R	RN72K1J-220JE	1	435032204R1
R7851	C-CARBON R	RN72K1J-220JE	1	435032204R1
R7852	C-CARBON R	RN72K1J-220JE	1	435032204R1
R7853	C-CARBON R	RN72K1J-224JE	1	435032244R1
R7854	C-CARBON R	RN72K1J-224JE	1	435032244R1
R7855	C-CARBON R	RN72K1J-222JE	1	435032224R1
R7856	C-CARBON R	RN72K1J-222JE	1	435032224R1
R7901	METAL O R	RS1WBJ-150	1	443621514T
R7903	C-CARBON R	RN72K1J-220JE	1	435032204R1
R7904	C-CARBON R	RN72K1J-220JE	1	435032204R1
R7905	C-CARBON R	RN72K1J-223JE	1	435032234R1
R7906	C-CARBON R	RN72K1J-223JE	1	435032234R1
R7907	C-CARBON R	RN72K1J-223JE	1	435032234R1
R7908	C-CARBON R	RN72K1J-223JE	1	435032234R1
R7909	C-CARBON R	RN72K1J-223JE	1	435032234R1
R7910	C-CARBON R	RN72K1J-223JE	1	435032234R1
R7911	C-CARBON R	RN72K1J-223JE	1	435032234R1
R7912	C-CARBON R	RN72K1J-223JE	1	435032234R1
[SW TRM]				
P403A	SOCKET	NSCT-23P2116	1	25052219
P7501	PIN JACK	NPJ-2PDO666	1	25045895
P7502	TRM-423(SCREW)	NEJITANSI ST3	1	25060495
S7901	SLIDE SW	NSS-22203	1	25065581
S7902	SLIDE SW	NSS-22203	1	25065581
S7903	SLIDE SW	NSS-22203	1	25065581

ONKYO

Onkyo Corporation

Technical Support, Service Department
2-1, Nisshin-cho, Neyagawa-shi, OSAKA 572-8540, JAPAN
Tel: 072-831-8023 Fax: 072-831-8163

Onkyo U.S.A. Corporation

18 Park Way, Upper Saddle River, N.J. 07458, U.S.A.
Tel: 800-229-1687, 201-785-2600 Fax: 201-785-2650
<http://www.us.onkyo.com/>

Onkyo Europe Electronics GmbH

Liegnitzerstrasse 6, 82194 Groebenzell, GERMANY
Tel: +49-8142-4401-0 Fax: +49-8142-4208-213
<http://www.eu.onkyo.com/>

Onkyo Europe Electronics GmbH (UK Branch)

The Coach House 81A High Street, Marlow, Buckinghamshire, SL7 1AB, UK
Tel: +44-(0)1628-473-350 Fax: +44-(0)1628-401-700

Onkyo China Limited

Unit 1033, 10/F, Star House, No 3, Salisbury Road, Tsim Sha Tsui Kowloon, Hong Kong.
Tel: 852-2429-3118 Fax: 852-2428-9039
<http://www.onkyochina.com/>

Onkyo China PRC

1301, 555 Tower, No.555 West NanJin Road, Jin an, Shanghai,
China 200041, Tel: 86-21-52131366 Fax: 86-21-52130396
<http://www.cn.onkyo.com/>