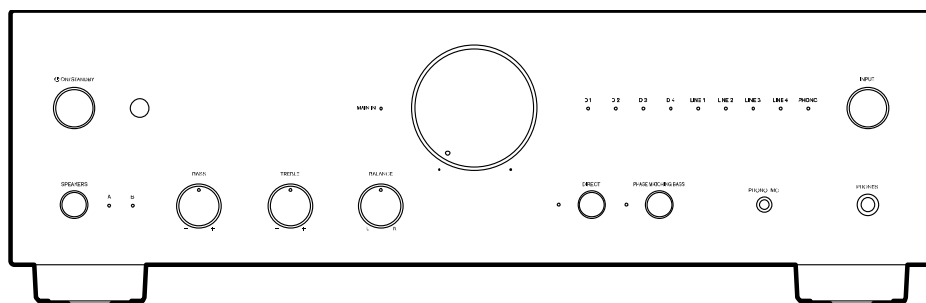


## INTEGRATED AMPLIFIER

# Service Manual

## A-9150

- ✓ Pre Issue (2017-Jun)
- ✓ Final Issue (2017-Jul)



### CONTENTS

- ✓ [Title Page \(This Page\)](#)
- ✓ [Service Notes](#)
  - ~~Service Precautions~~
- ✓ [Note for Parts List](#)
- ✓ [Panel](#)
- ✓ [Reset](#)
  - ~~Amp Diag Mode after Abnormal Conditions~~
  - ~~WiFi 5GHz Setting~~
  - ~~Model and Destination~~
- FIRMWARE
  - ✓ [Adjustment](#)
  - ✓ [Hookup and Setting](#)
    - ~~Trouble Shoot~~
    - ~~Disassembly~~
  - ✓ [Schematic Diagrams](#)
  - ✓ [Exploded Views](#)
- Appendix

### THIS MANUAL IS APPLICABLE TO THE FOLLOWING MODEL(S) AND TYPE(S).

Model	Color	Type	Power Requirement	Remarks
A-9150	(B) - Black	MDC	AC 120 V	Canada/USA/(Mexico)
A-9150	(B) - Black	MGP	AC 220 V to 230 V	Europe
A-9150	(S) - Silver	MGP	AC 220 V to 230 V	Europe
A-9150	(S) - Silver	MGR	AC 220 V to 230 V	China

# ONKYO®

### 1. Safety-related component warning!!

Components identified by mark  $\triangle$  on the schematic diagram and by mark “!” in the parts list are critical for risk of fire and electrical shock. Replace these components with ONKYO parts whose part numbers appear as shown in this manual.

### 2. Safety check after servicing

- (1) To ensure safety, check that the covered insulating sheet or tube are removed, all parts and wires which are removed or disconnected while servicing have been put back to their original positions after servicing.
- (2) To insure structural integrity, check that all the screws or mechanical parts have been put back in their original positions after servicing.
- (3) Check that in the process of servicing or replacing parts that the surrounding area has not been contaminated or adversely affected.
- (4) After servicing an insulation check on the external metal connectors and between the blades of the power plug must be performed.

#### Method of checking insulation resistance

Unplug the power cord and short the both ends of the plug with a jumper wire.

Using a 500V insulation resistance tester, check that the insulation resistance value between the plug of the power cord and externally exposed metal parts is  $1M\Omega$  or greater.

※The mechanical power switch should be turned on if it is available.

### 3. Caution on replacing the battery

Danger of explosion if rechargeable batteries is incorrectly replaced. Replace only with the same or equivalent type recommended by the manufacturer. When disposing of used batteries, please comply with governmental regulations or environmental public institution's rules that apply in your country / area.

### 4. Other Cautions

- When AC plug is non-polarized and if Main or Primary fuse enters in the Neutral line of AC Mains supply or if there is possibility of Main or Primary Fuse entering in the Neutral line of AC Mains supply, then AC Mains supply must be disconnected to de-energize the circuit.
- Be sure to use only lead free solder.
- When soldering, please be careful not to use too much solder and affect adjacent components.



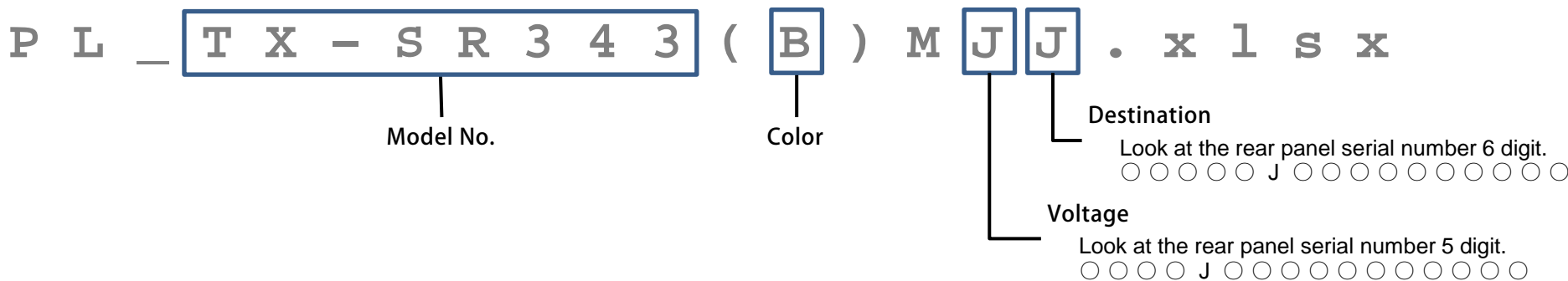
This service manual is intended for qualified service technicians; it is not meant for the casual do-it-yourselfer. Qualified technicians have the necessary test equipment and tools, and have been trained to properly and safely repair complex products such as those covered by this manual.

Improperly performed repairs can adversely affect the safety and reliability of the product and may void the warranty. If you are not qualified to perform the repair of this product properly and safely, you should not risk trying to do so and refer the repair to a qualified service technician.

# File Name of Parts List File (EXCEL File)

## Note for Parts List

When parts list is EXCEL file, please refer to the following explanation about file name.



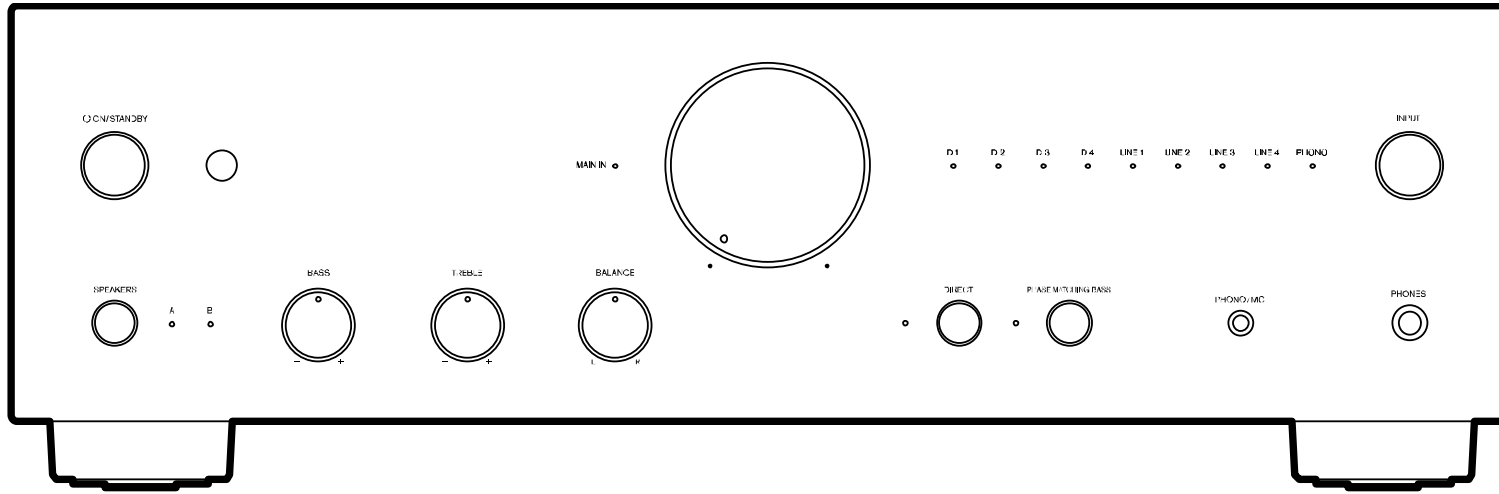
Color			
(X)	Not related to color		
(B)	Black	(M)	Wood
(BR)	Brown	(O)	Orange
(C)	Cherry	(P)	Pink
(G)	Gold	(R)	Red
(GR)	Green	(S)	Silver
(H)	Gray	(V)	Violet
(K)	Black	(W)	White
(L)	Blue	(Y)	Yellow
(LB)	Light Blue		

Voltage	
D	120V AC
G	220~230V
H	220~230/240V
J	100V AC
M	220~240V AC
P	230V AC
U	100~240V AC
V	110~240V
W	120V/220~240V
Z	※1
Speaker System (without AMP.) :	
0	Passive Subwoofer
F	Front Speaker
C	Center Speaker
R	Rear Speaker
B	Back Speaker

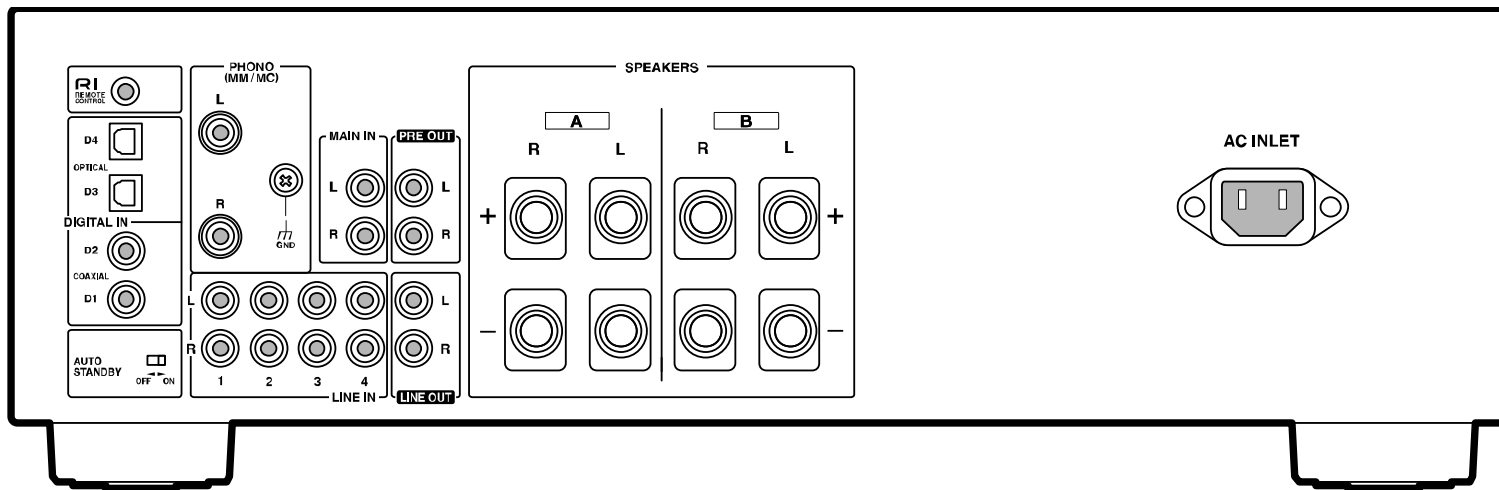
Destination			
A	Australia		
B	United Kingdom	Speaker System (without AMP.) :	
C	North American	L	Left channel
D	USA	R	Right channel
F	Taiwan	0	Center channel
J	Japan		
K	Korea		
L	Russia		
P	Europe		
Q	Hong Kong		
R	China		
S	Brazil		
T	Thai		
U	Worldwide		

※1 There is a charge function and a power supply (adapter) is needed, but an adapter isn't bundled.

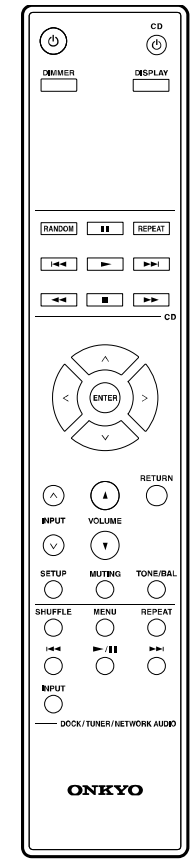
Front Panel



Rear Panel



Remote Control Unit  
RC-959S

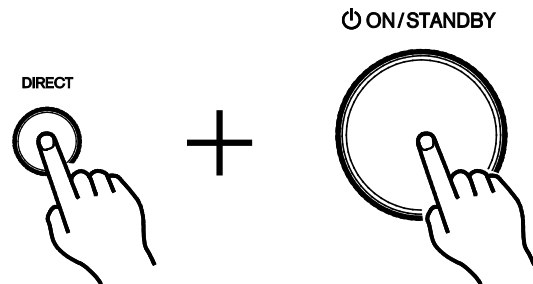


Accessory

1. Remote controller (RC-959S) . . . (1)
2. Batteries (R03/AAA) . . . (2)  
(Note for China: The battery for the remote controller is not supplied for this unit.)
3. Power cord (5.9 ft/1.8 m) . . . (1)  
(Plug type varies from country to country.)

Dimensions (W × H × D) : 435 mm × 139 mm × 331 mm (17-1/8" × 5-1/2" × 13-1/16")  
Weight : 9.2 kg (20.3 lbs)

With the integrated amplifier turned on,  
hold down [DIRECT] and press [ON/STANDBY].



Initial setting	出荷ポジション
SELECTOR	D1
SPEAKERS	A
BASS	CENTER
TREBLE	CENTER
BALAMCE	CENTER
VOLUME	Min.
PURE DIRECT	Direct
RI MODE	D1,D2, D3
4Ω/8Ω	8Ω
Auto Standby	ON (except JJ and DD, DC model)

## How to Adjust Idling Current and DC Offset

1. Set the DC Offset voltages at SPEAKER OUTPUT A(P500) to less than  $\pm 10\text{mV}$  by adjusting R5607(Lch) and R5707(Rch), under the condition of no input and no load, immediately after POWER ON.
2. R587 and R588 Turn the left to get the minimum resistor value.
3. Set the voltages at P511 and P512 to  $25\text{mV}$  by adjusting R587 and R588, under the condition of no input and no load, immediately after POWER ON.
4. 5 minutes of heat running.
5. Re-adjust by following procedure.

Check the voltage of the p511 and p512, and readjust with the following procedure.

Below	20mV	20mV
Between	20~30mV	Leave it as it is.
Over	30mV	30mV

Check the  $\pm$ -voltage of the speaker output A (P500) and readjust with the following procedure.

Within	$\pm 10\text{mV}$	Leave it as it is.
Over	$\pm 10\text{mV}$	$\pm 10\text{mV}$

# No Sound

## Hookup and Setting

- No sound from connected player

- Chose input selector which is assigned to connected input terminal ?
- Isn't muting on ?

- No sound from some connected loudspeaker(s)

- No sound loudspeaker(s) select connected speaker system(A or B)

- No problem about above items

- Unplug power cord  
After 10 seconds, connect power cord again
- Reset this model

# No Power

# Hookup and Setting

## ■ In general

Check if the connection cable is bent or twisted, damaged.

## ■ No problem about above items

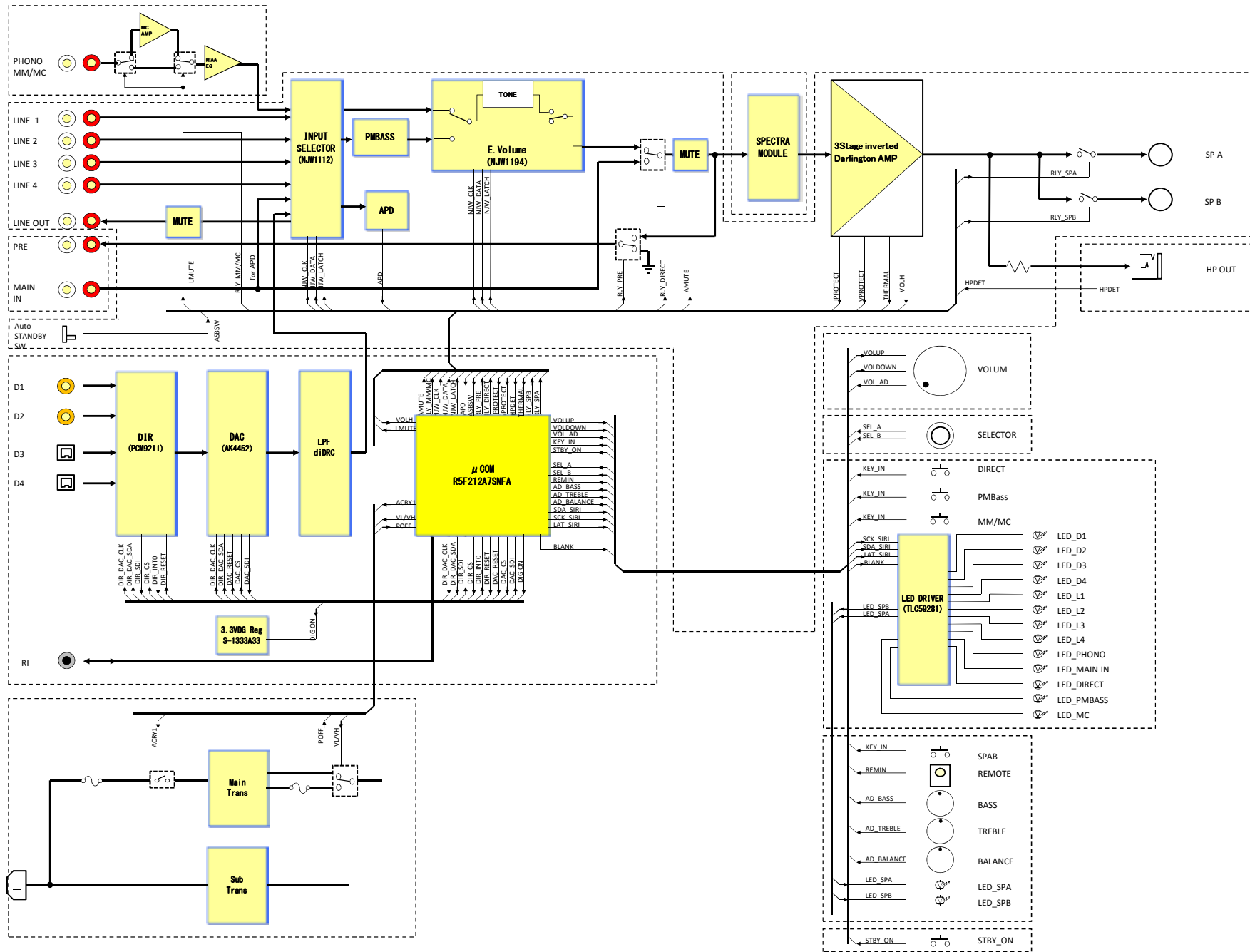
Unplug power cord

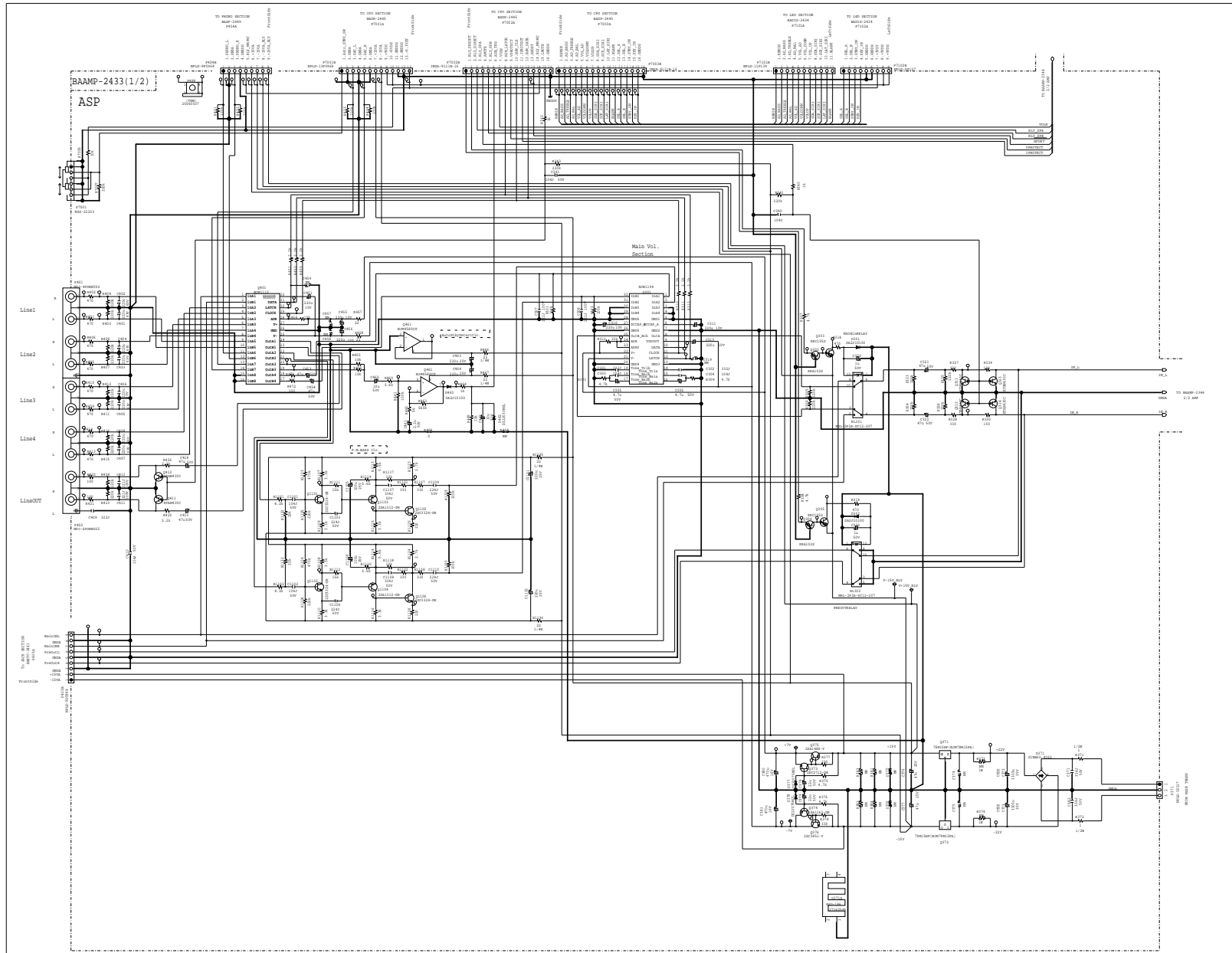
After 10 seconds, connect power cord again

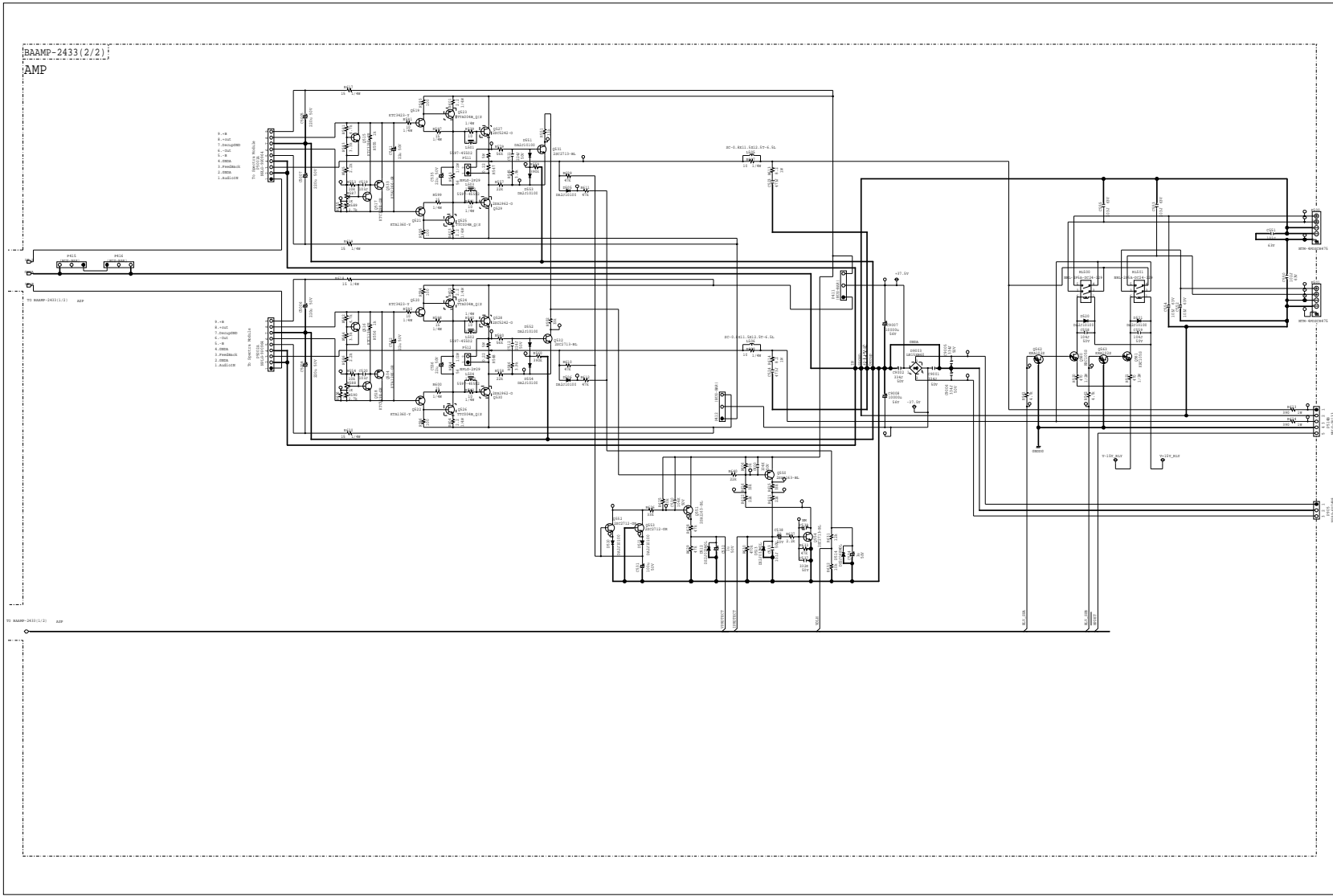
Reset this model

COMMON



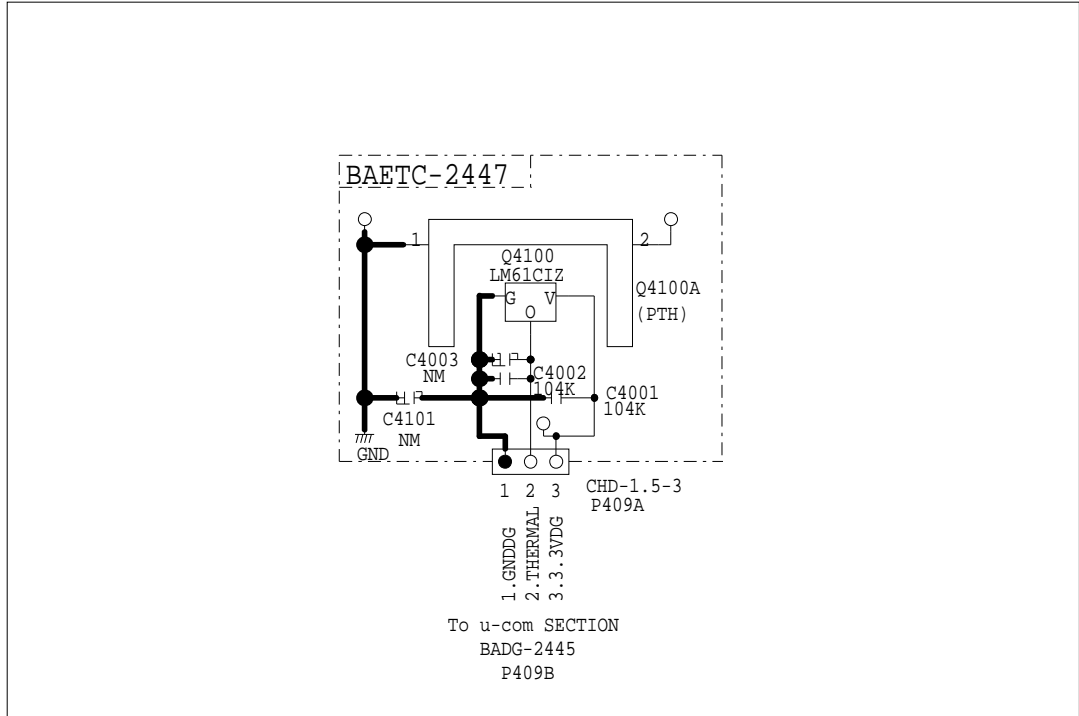






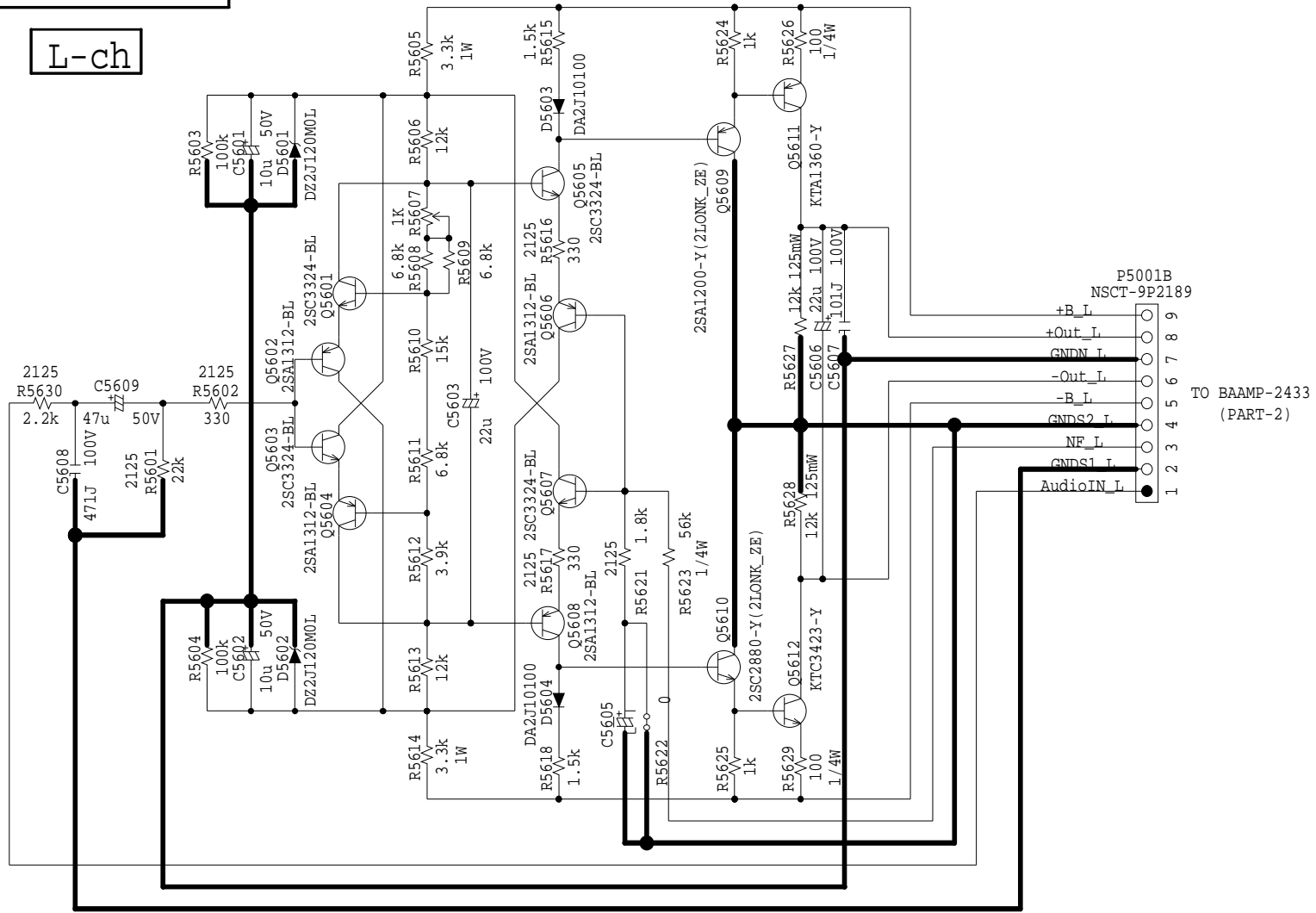
MODEL NO.A-9150

SCHEMATIC DIAGRAM (PART5) THERMAL SECTION



BAAMP-2443

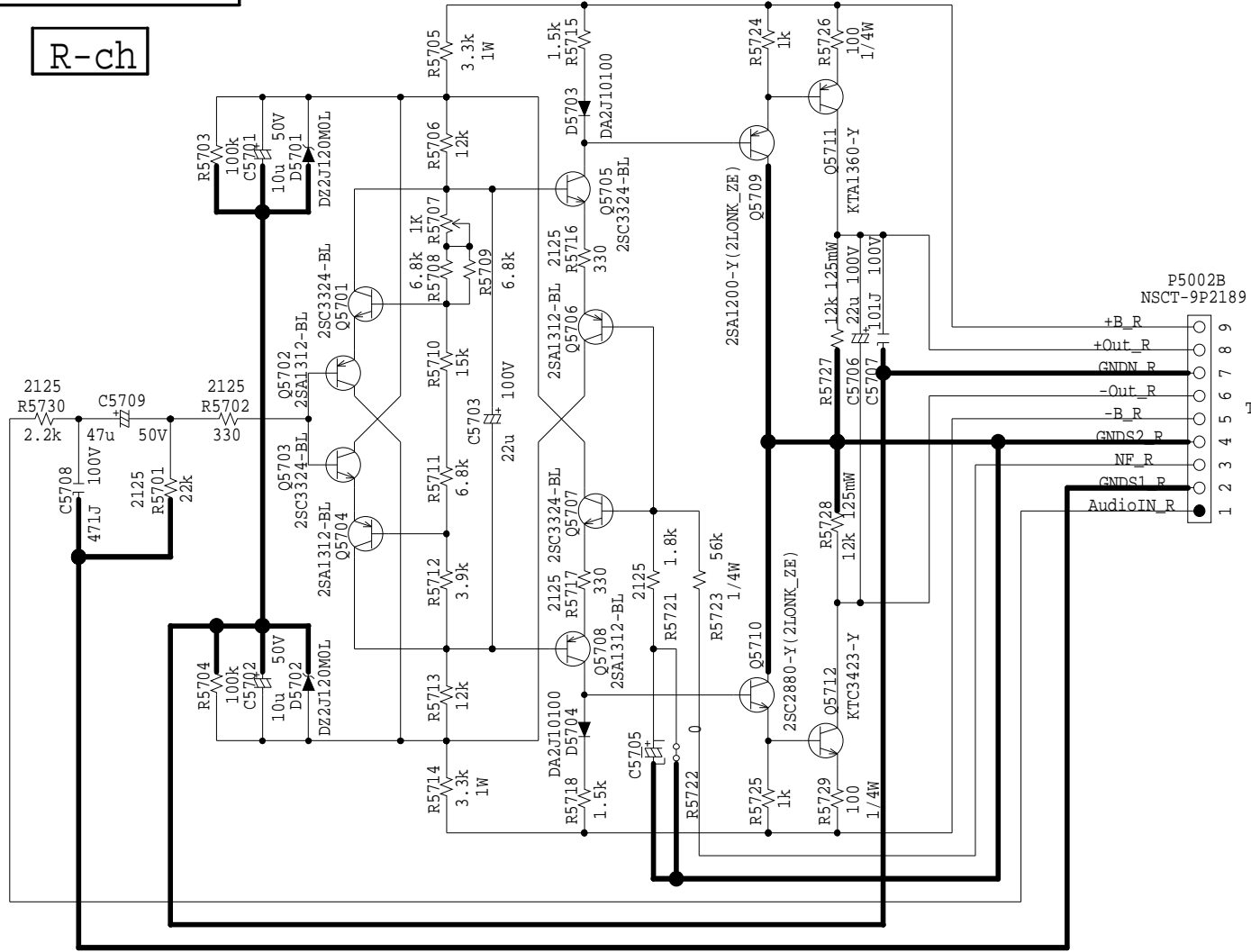
L-ch



P5001B  
NSCT-9P2189  
+B\_L  
+Out\_L  
GNDN\_L  
-Out\_L  
-B\_L  
GNDN2\_L  
NF\_L  
GNDN1\_L  
AudioIN\_L  
TO BAAMP-2433  
(PART-2)

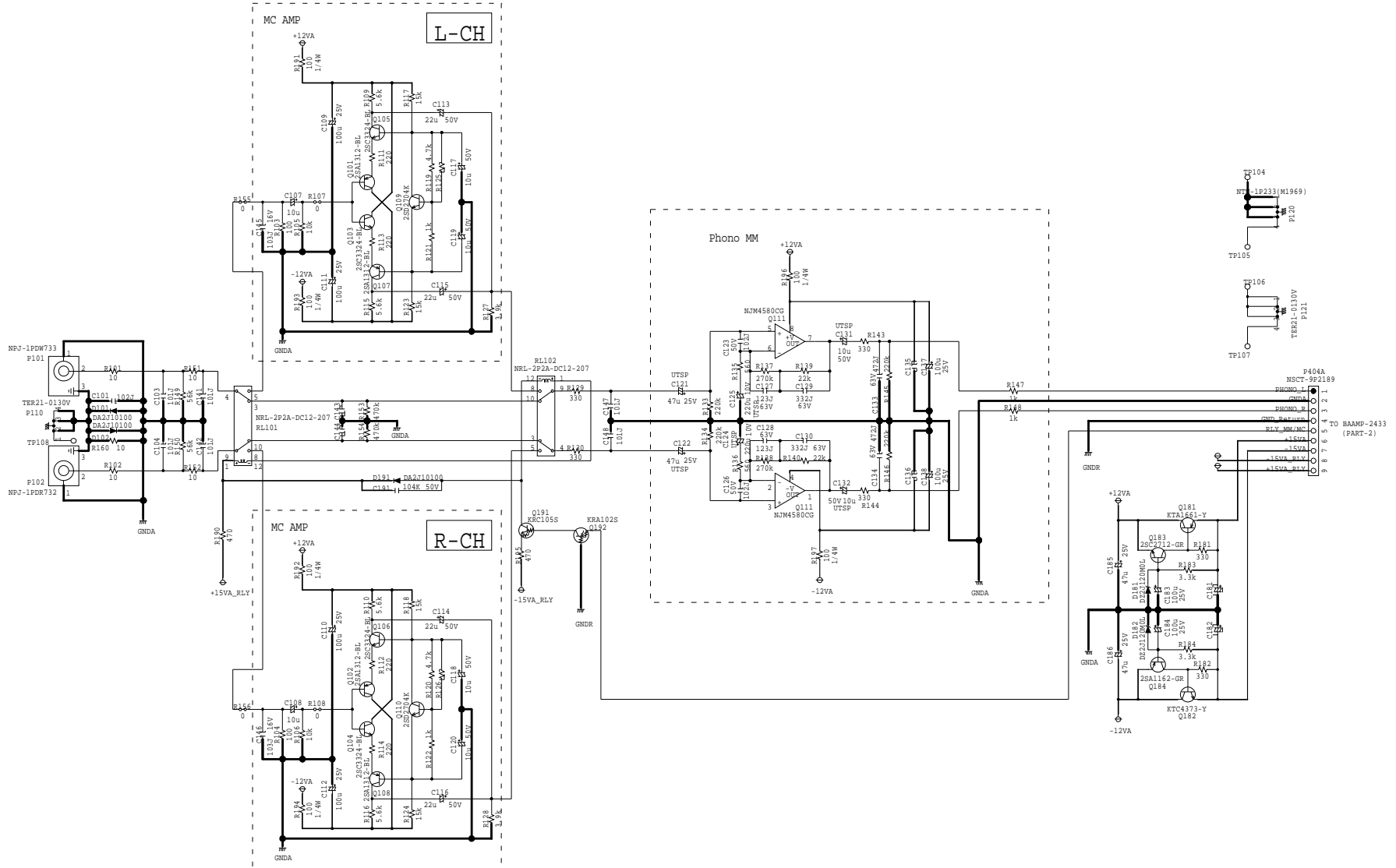
BAAMP-2451

R-ch



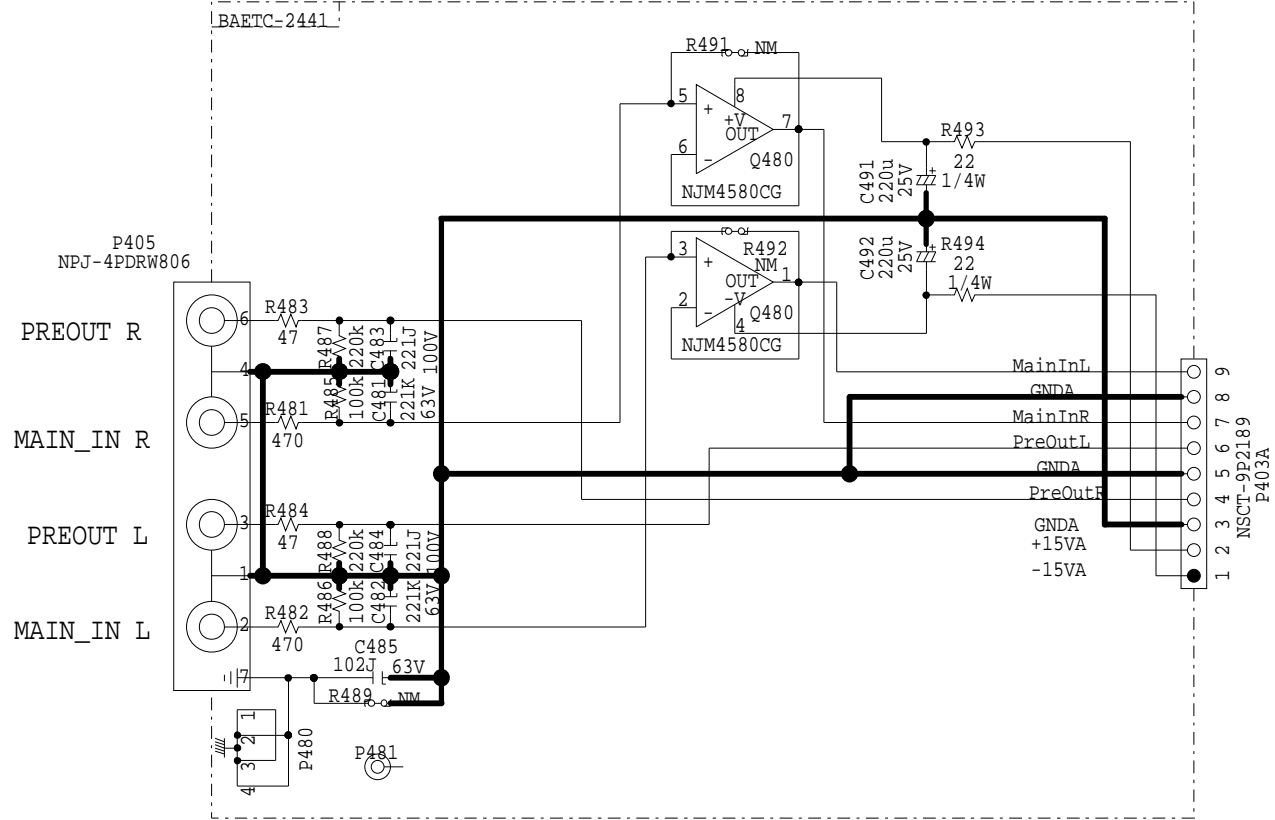
P5002B  
NSCT-9P2189  
+B\_R  
+Out\_R  
GNDN\_R  
-Out\_R  
-B\_R  
GNDN2\_R  
NF\_R  
GNDN1\_R  
AudioIN\_R  
1 2 3 4 5 6 7 8 9  
TO BAAMP-2433  
(PART-2)

BAAF-2449

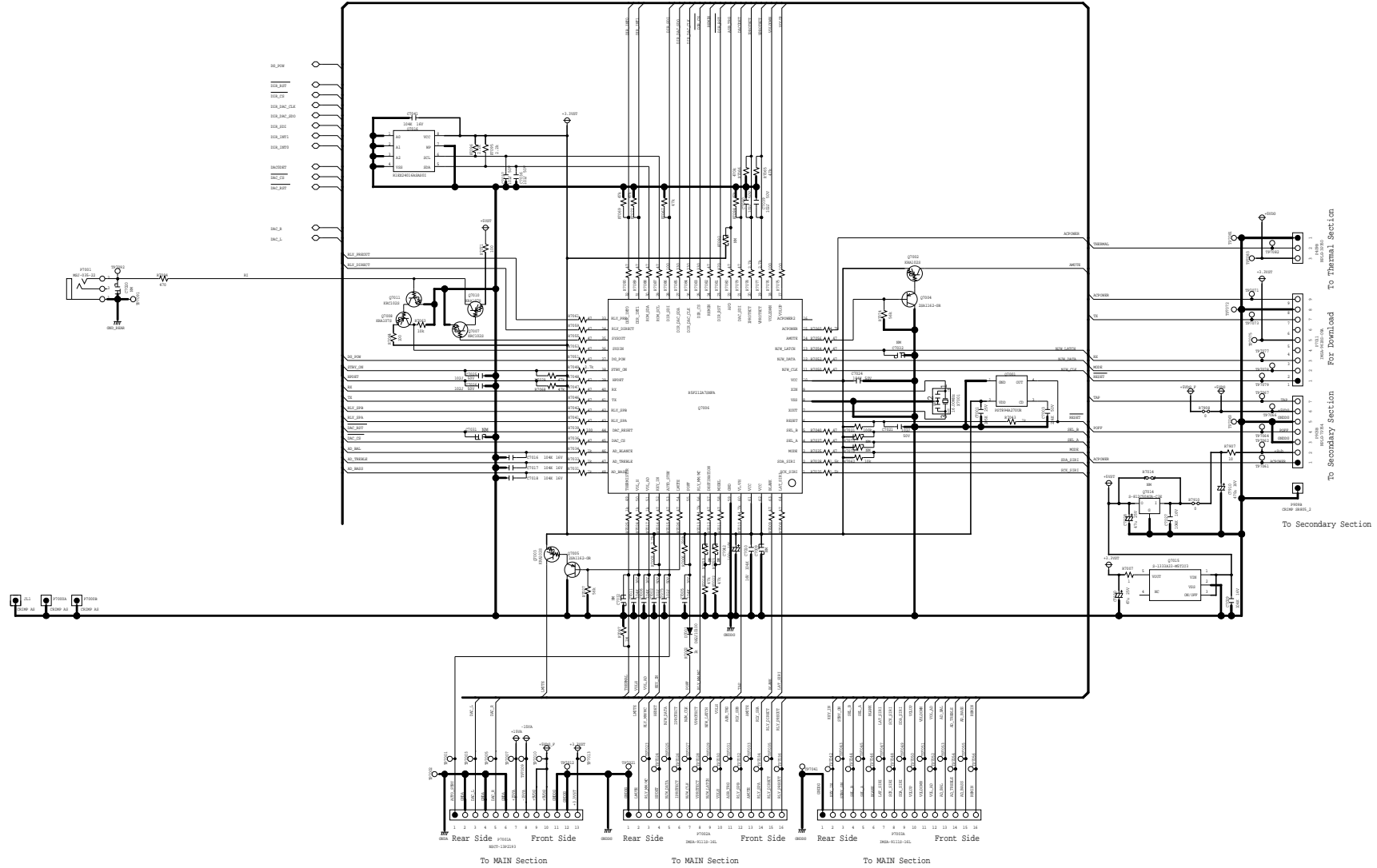


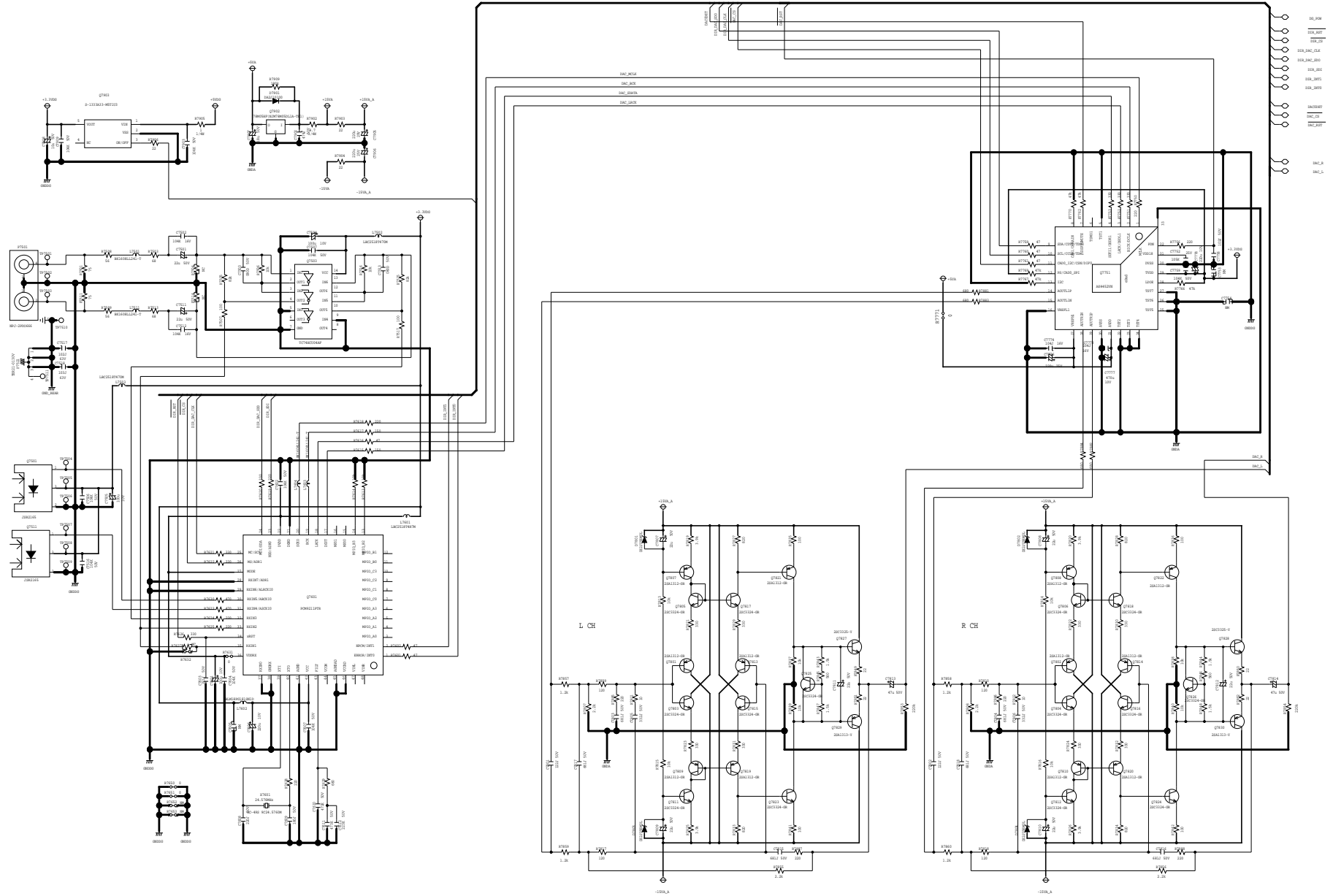
# Jack Section

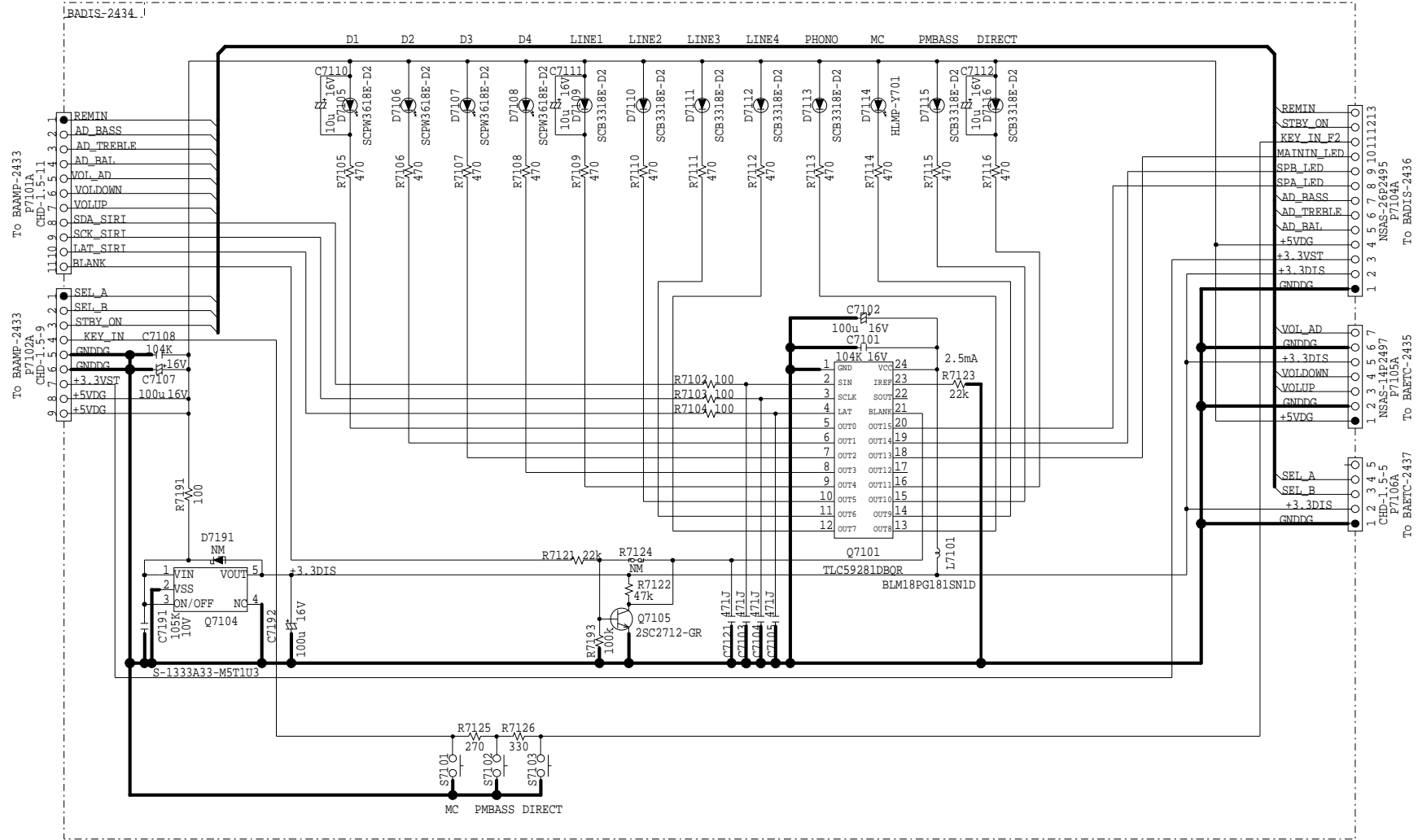
# Schematic Diagrams

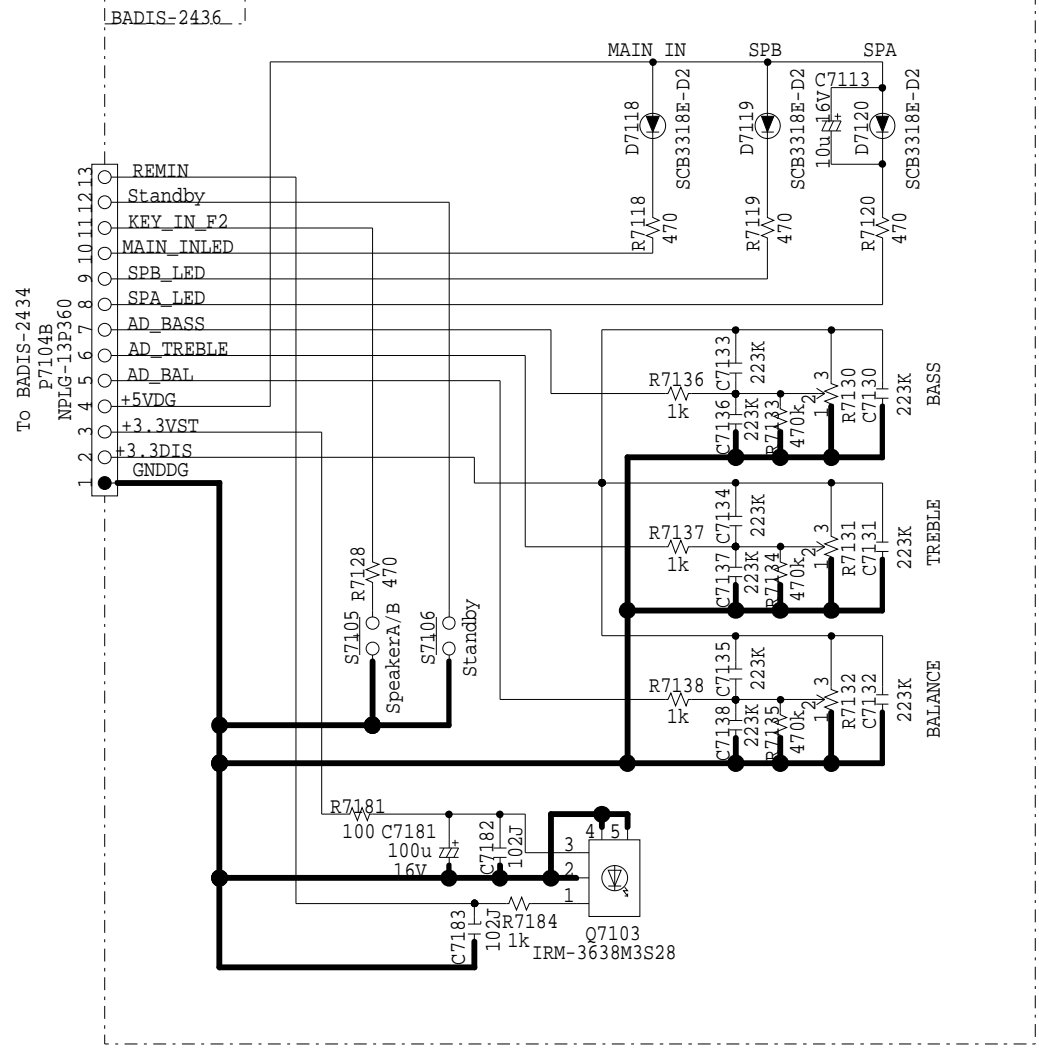




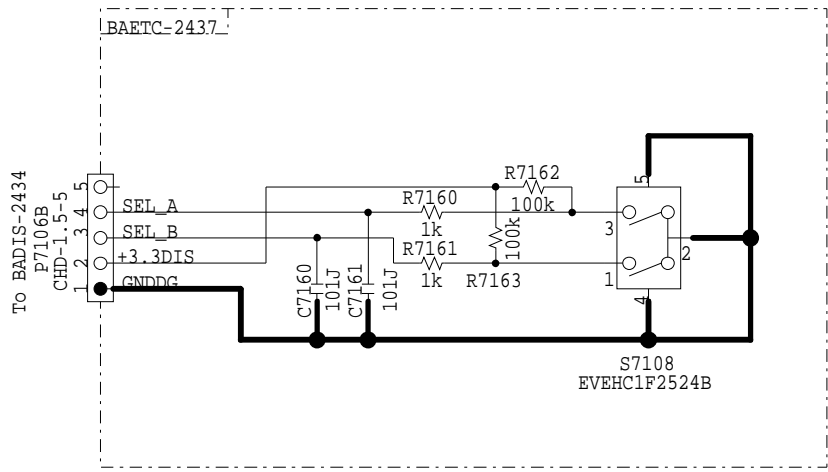


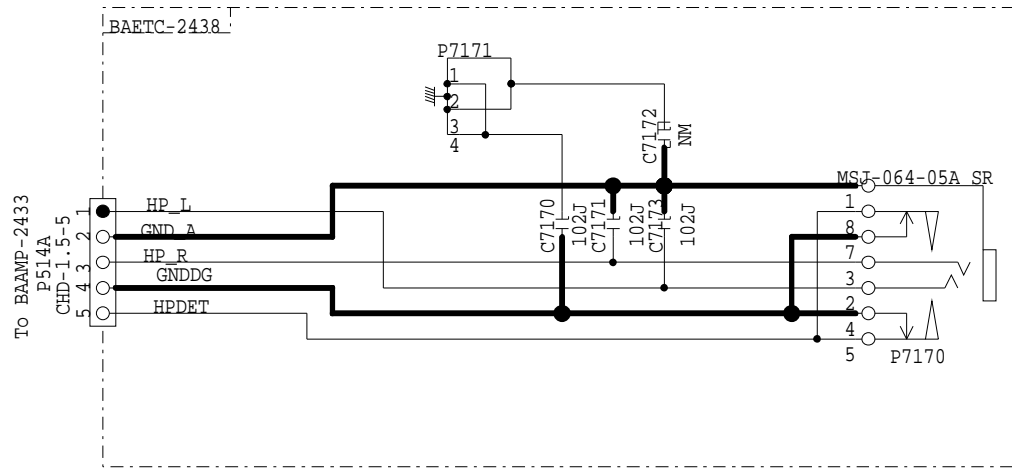


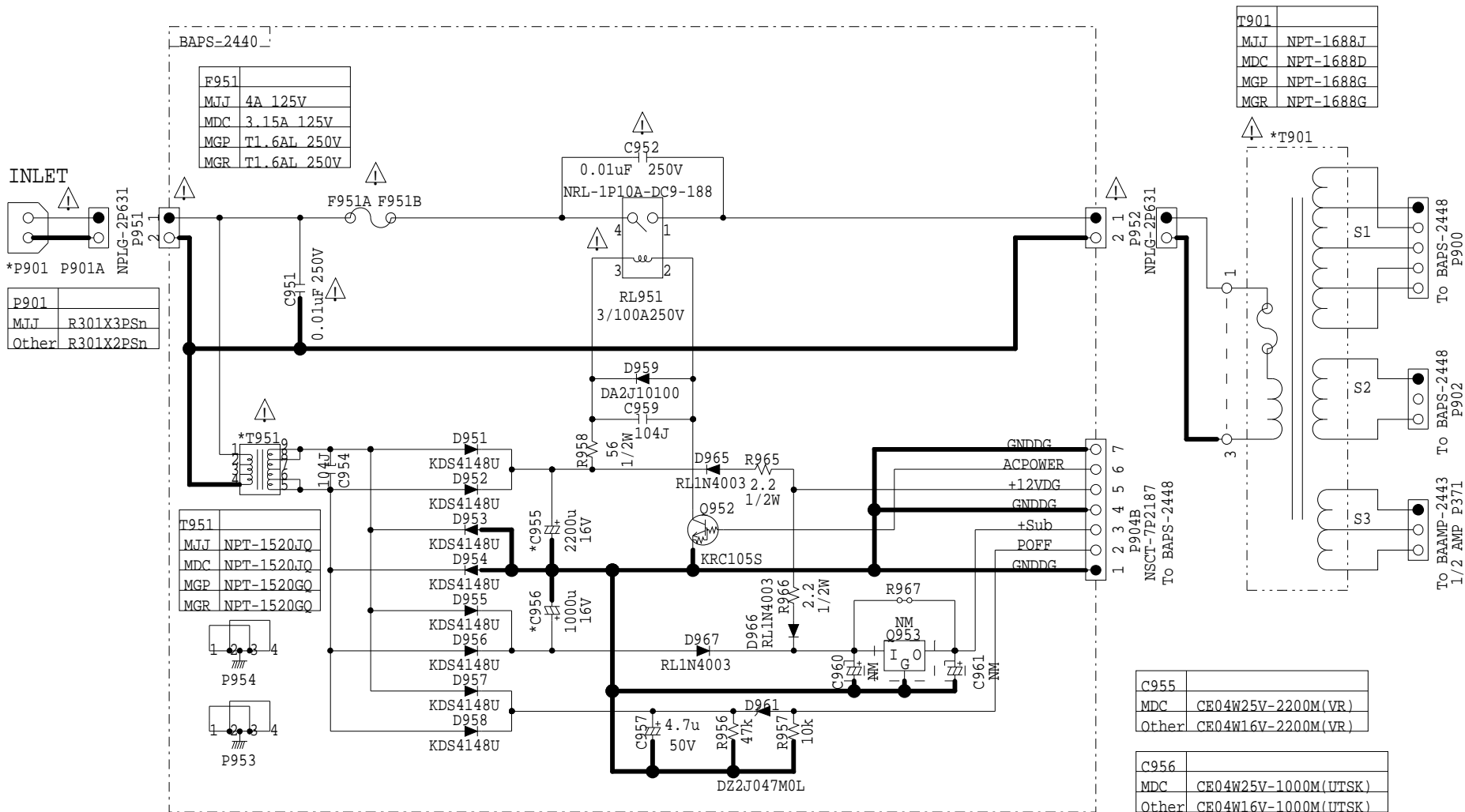










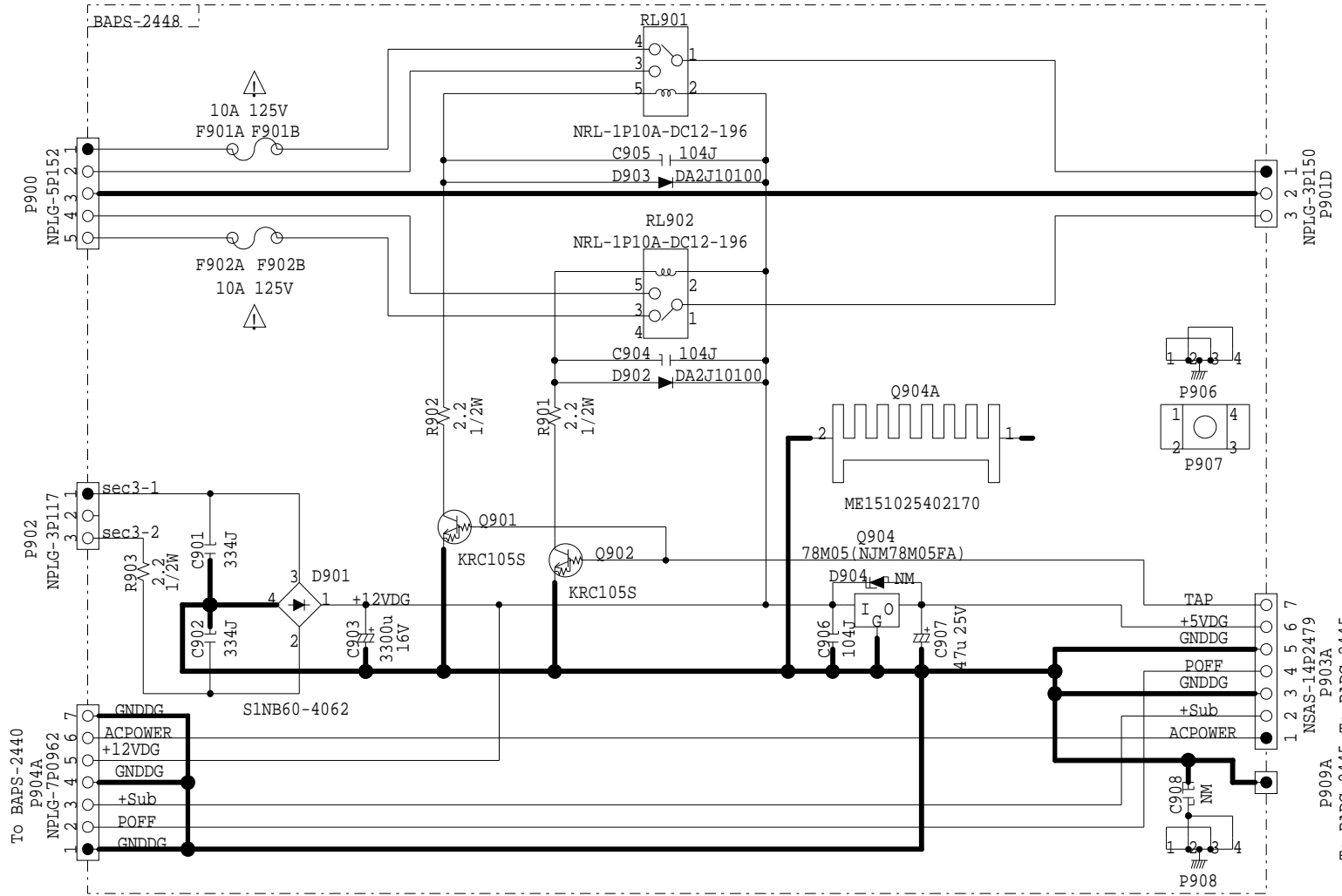


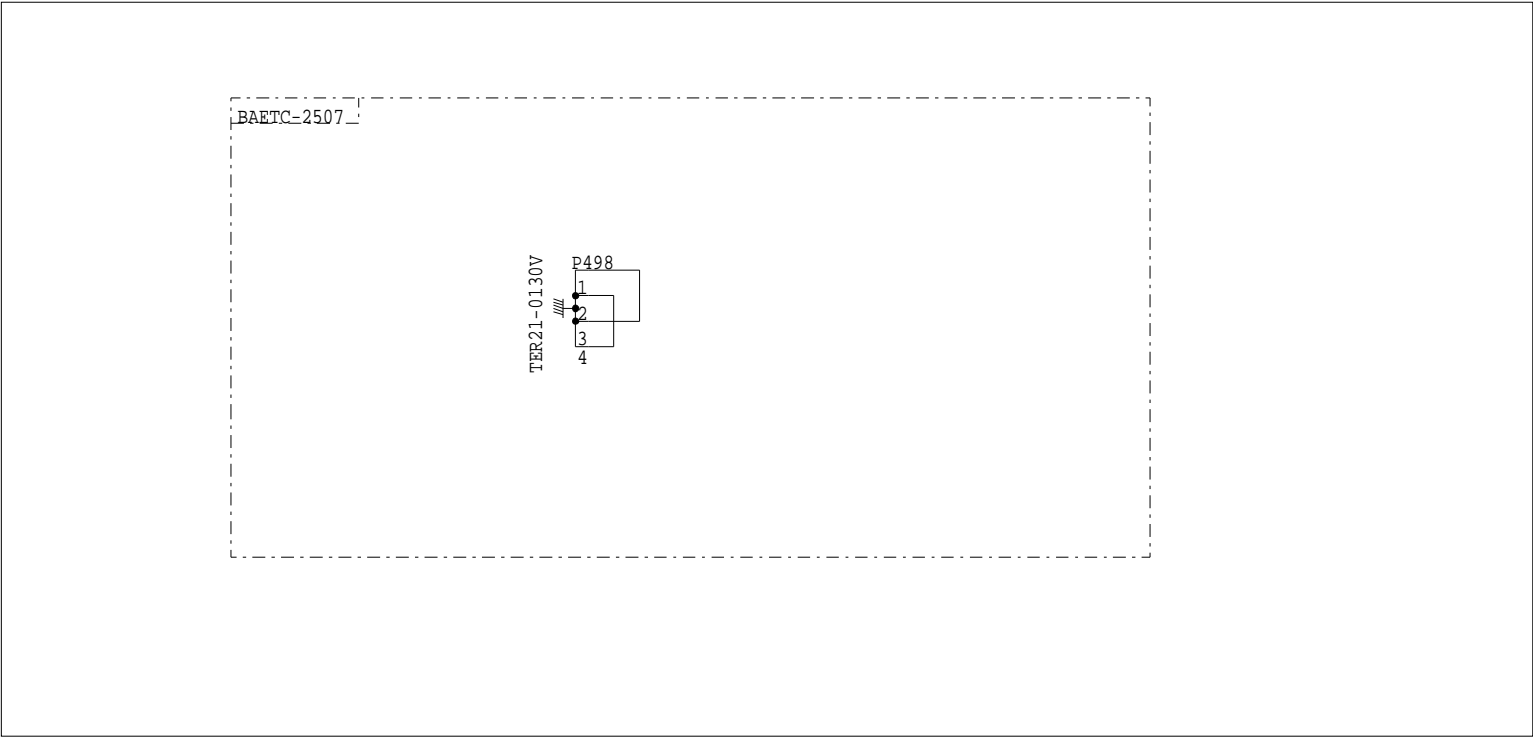
- THE COMPONENTS IDENTIFIED MARK ARE CRITICAL FOR SAFETY, REPLACE ONLY WITH PART NUMBER SPECIFIED.
- VOLTAGE (MEASURED WITH VOLTMETER) IS DC VOLTAGE.
- (NO INPUT SIGNAL, UNIT V, VOLTMETER: INPUT RESISTOR OVER 100KOHM/V )
- ELECTROLYTIC CAPACITORS ( ) ARE IN uF/WV UNLESS OTHERWISE NOTED.
- ALL CAPACITORS ARE IN pF/50WV UNLESS OTHERWISE NOTED.
- EX) 030 -> 3pF, 330 -> 33pF, 331 -> 330pF, 333 -> 0.033uF
- BOLD LINE IN SYMBOL FIGURE ON PCB INDICATE PART NAME PRINT SIDE.
- EX) ← PART NAME PRINT SIDE
- CIRCUIT IS SUBJECT TO CHANGE FOR IMPROVEMENT.



Secondary Section

Schematic Diagrams





- BATTERY
- A501 (MDC/MGR)
- A701, A702 (MDC/MGP)
- A703 (MGP)
- A706 (MGR)
- P902

ACCESSORY BAG  
(INSTRUCTION  
MANUAL etc.)

A401A  
PAD(L)

UNIT + A451

A506  
REMOTE  
CONTROLLER

A401B  
PAD(R)

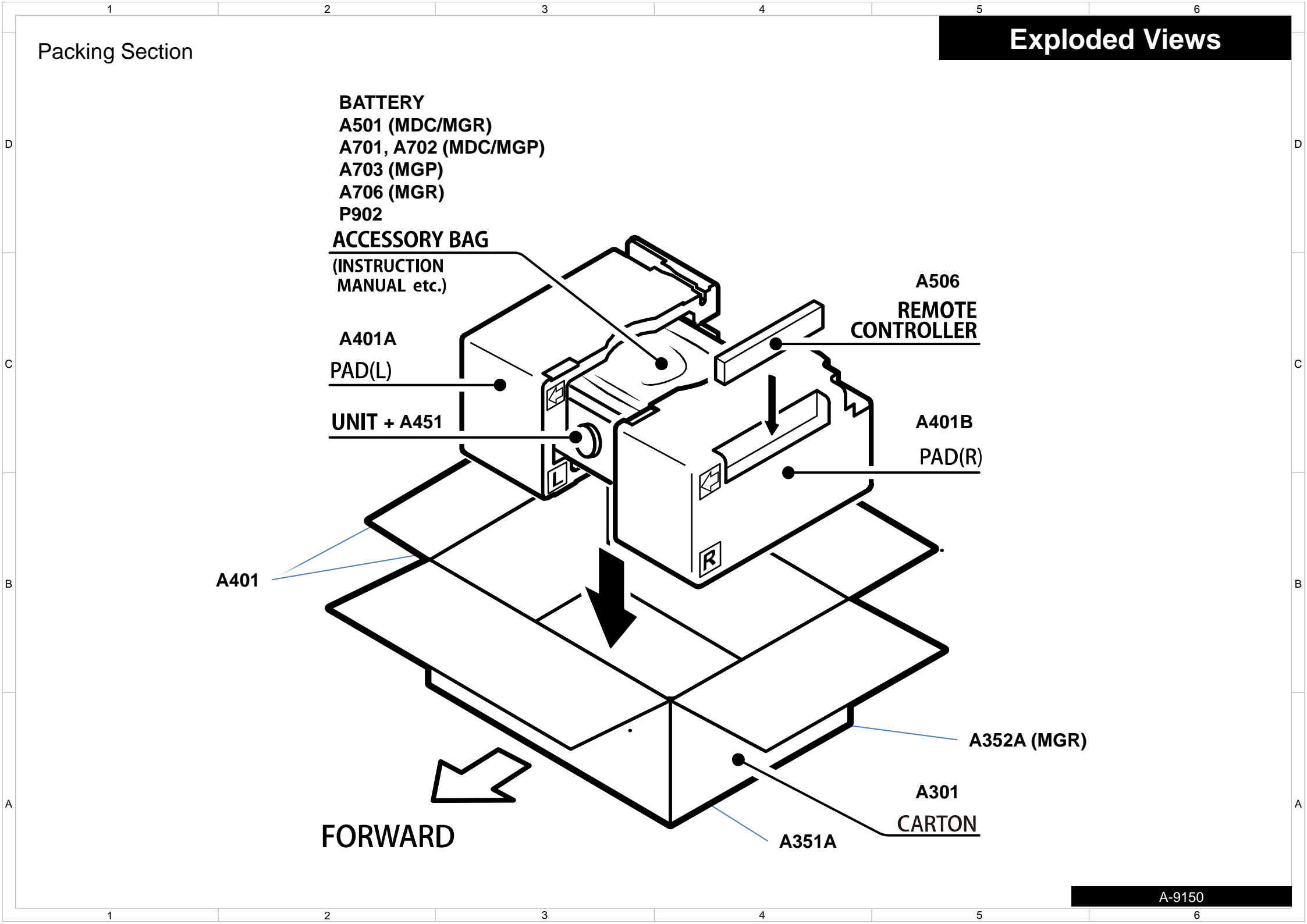
A401

A352A (MGR)

A301  
CARTON

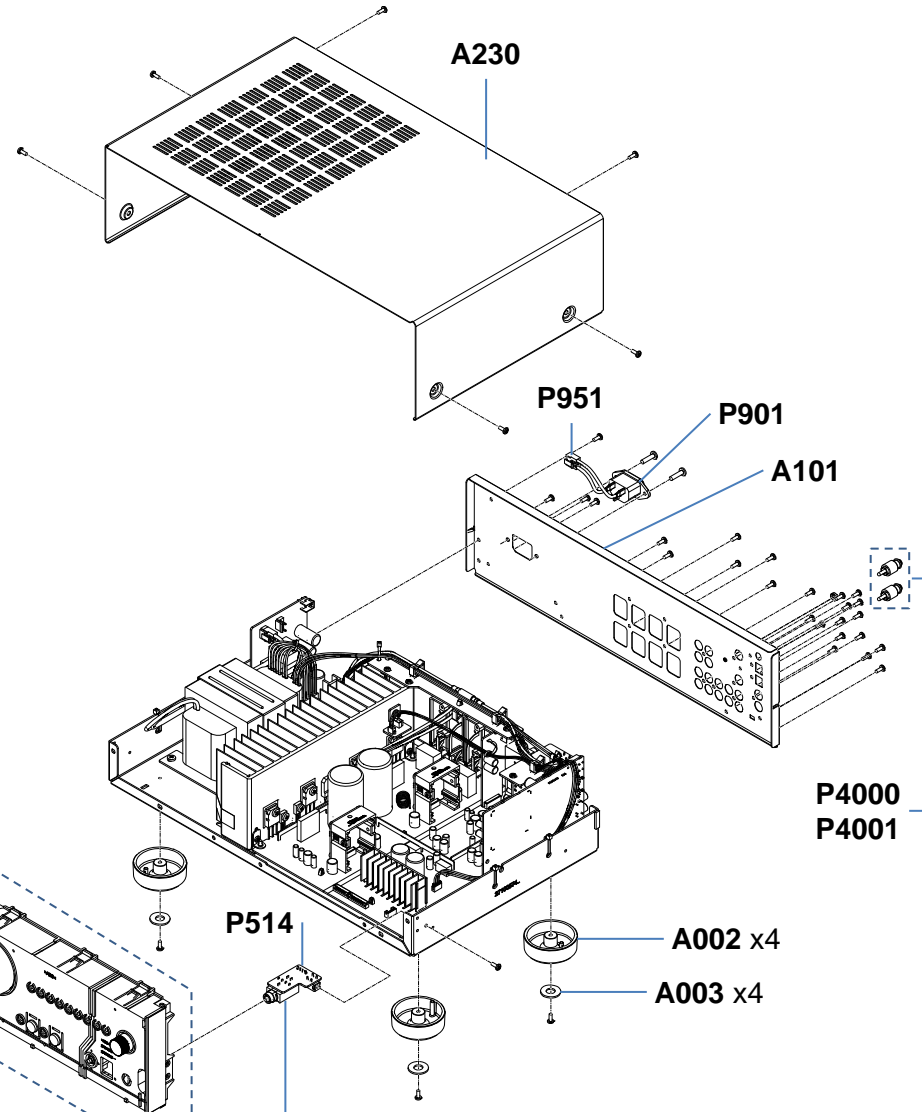
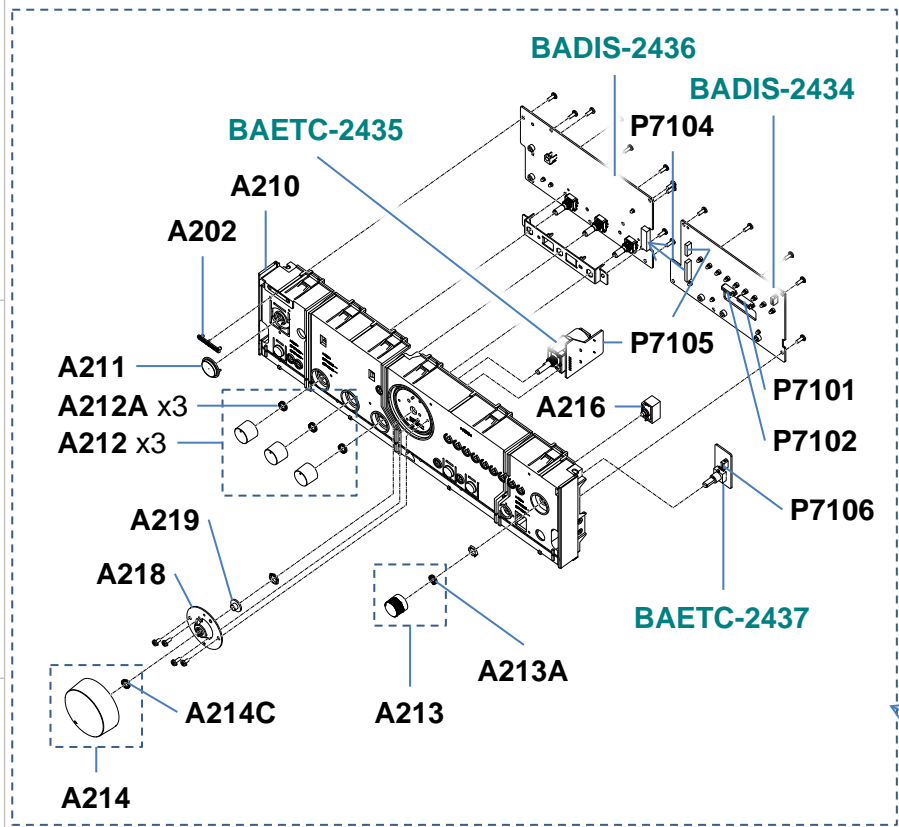
A351A

FORWARD

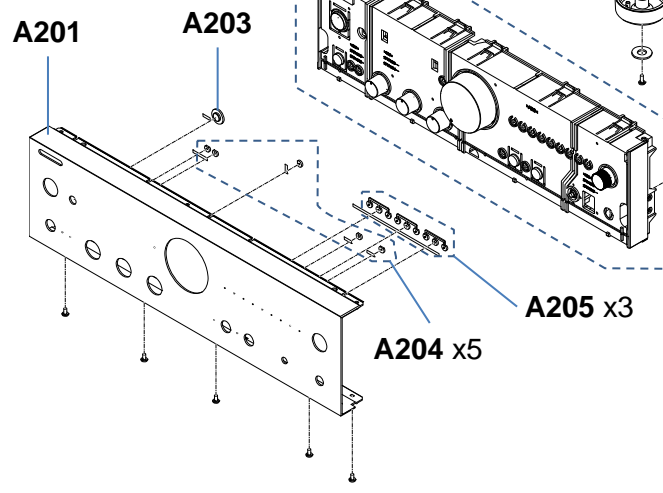
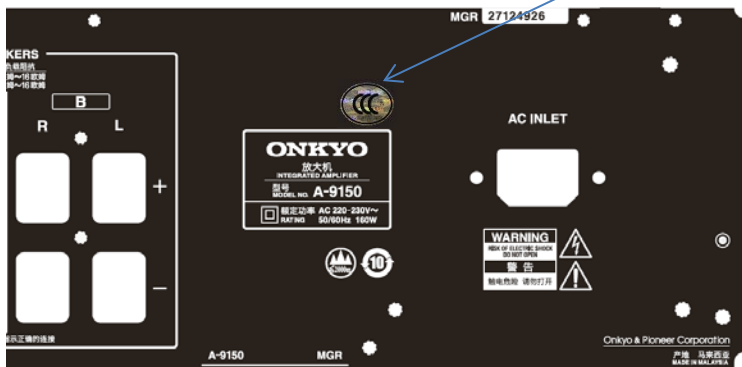


# Overview, Front Section

# Exploded Views

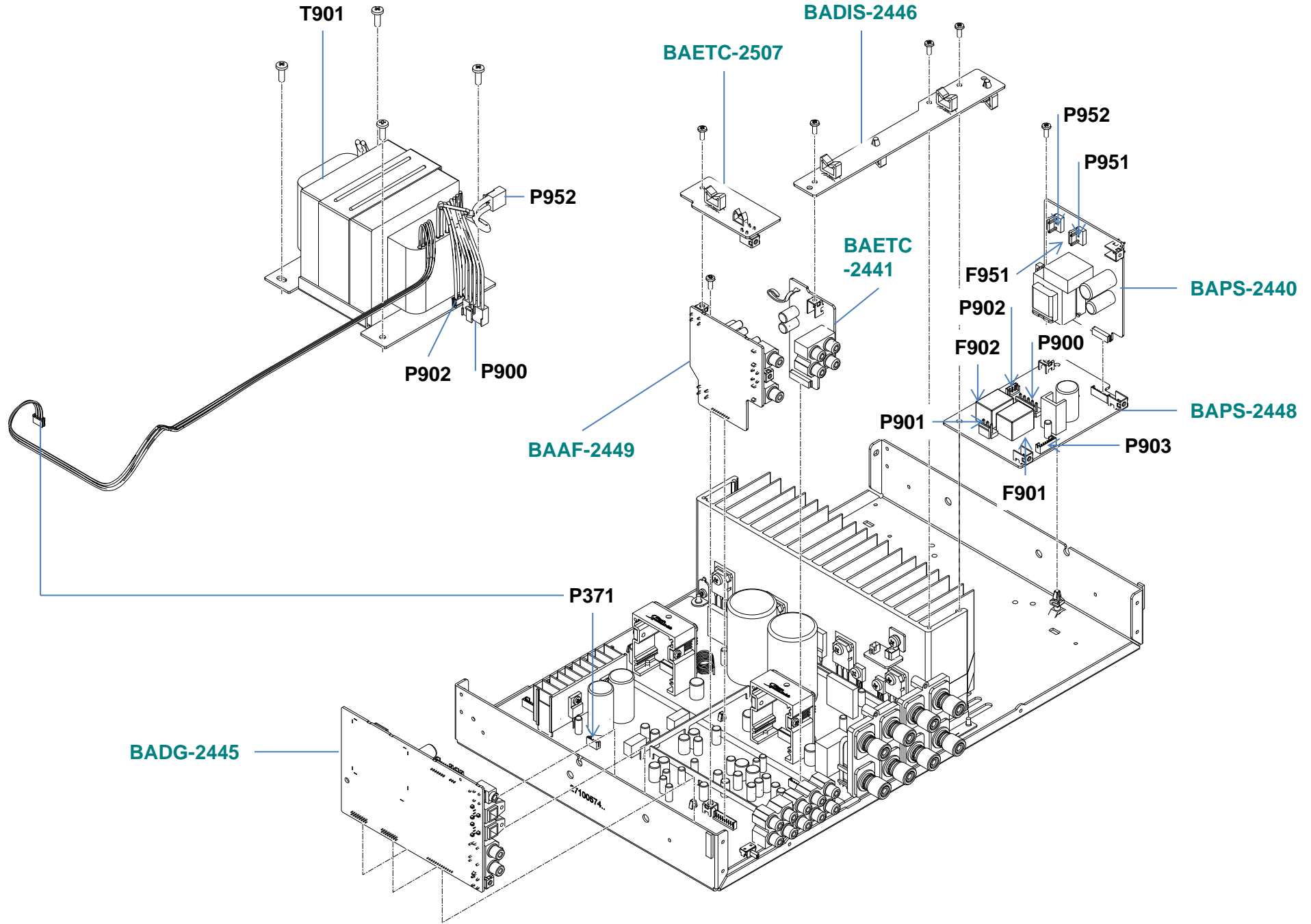


## Rear Panel



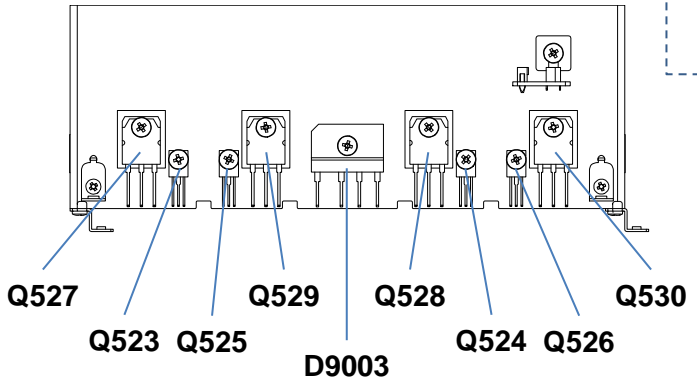
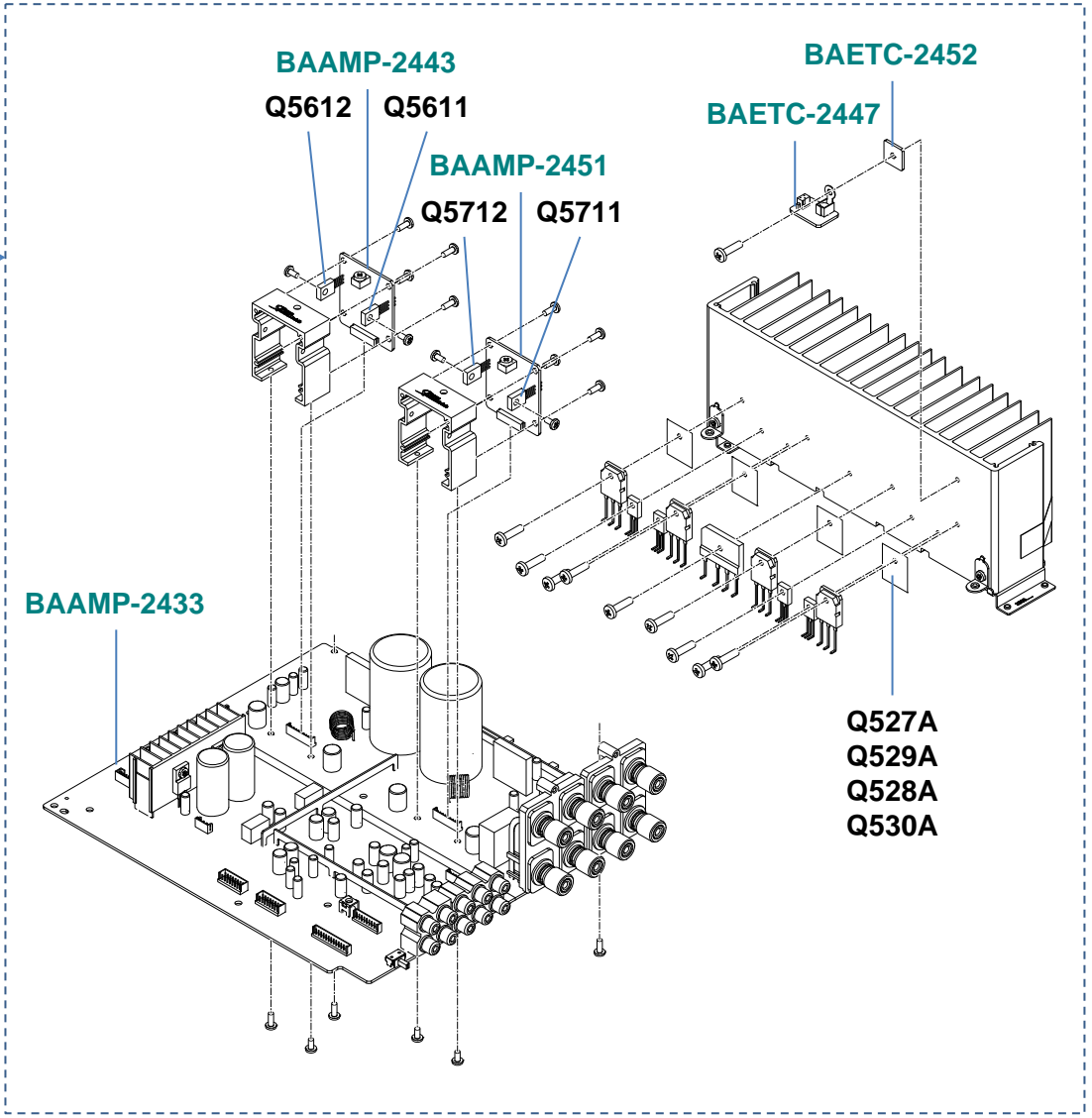
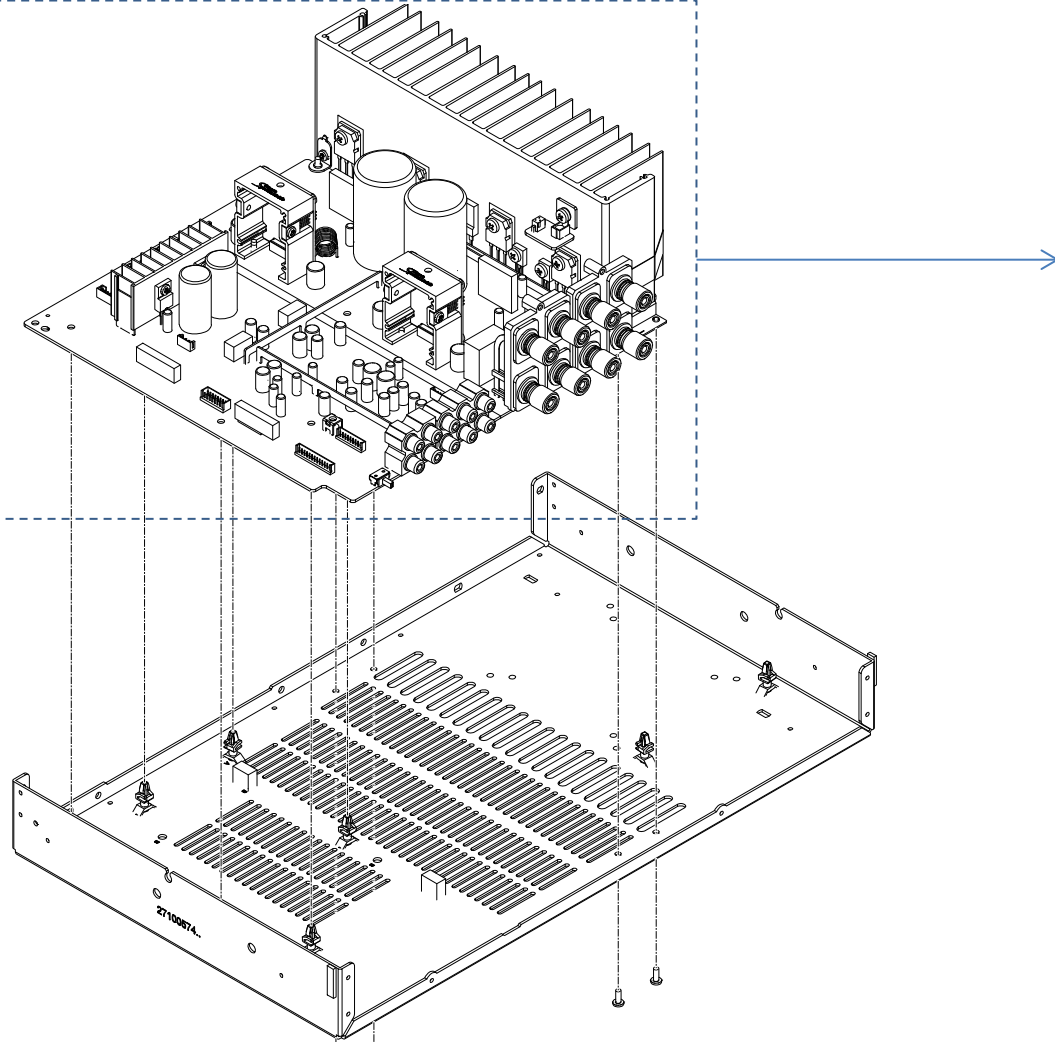
Rear1 Section

Exploded Views



Rear2 Section

Exploded Views



The Protection Sequence as below.

[ Voltage Protection ]

The Main MCU watch "VPROTECT" port about each 250uSec. When the MCU count twice this port error,

The MCU will be STANDBY mode.

When the MCU detect Voltage protection, MCU control to "LOW TAP" mode after next power on until speaker relay on

LOW TAP mode means supplied voltage for final device of the power amplifier circuit will be supplied low voltage(About +25v).

[ Current Protection]

The Main MCU watch "IPROTECT" port about each 250uSec. When the MCU count twice this port error,

The MCU will be STANDBY mode.

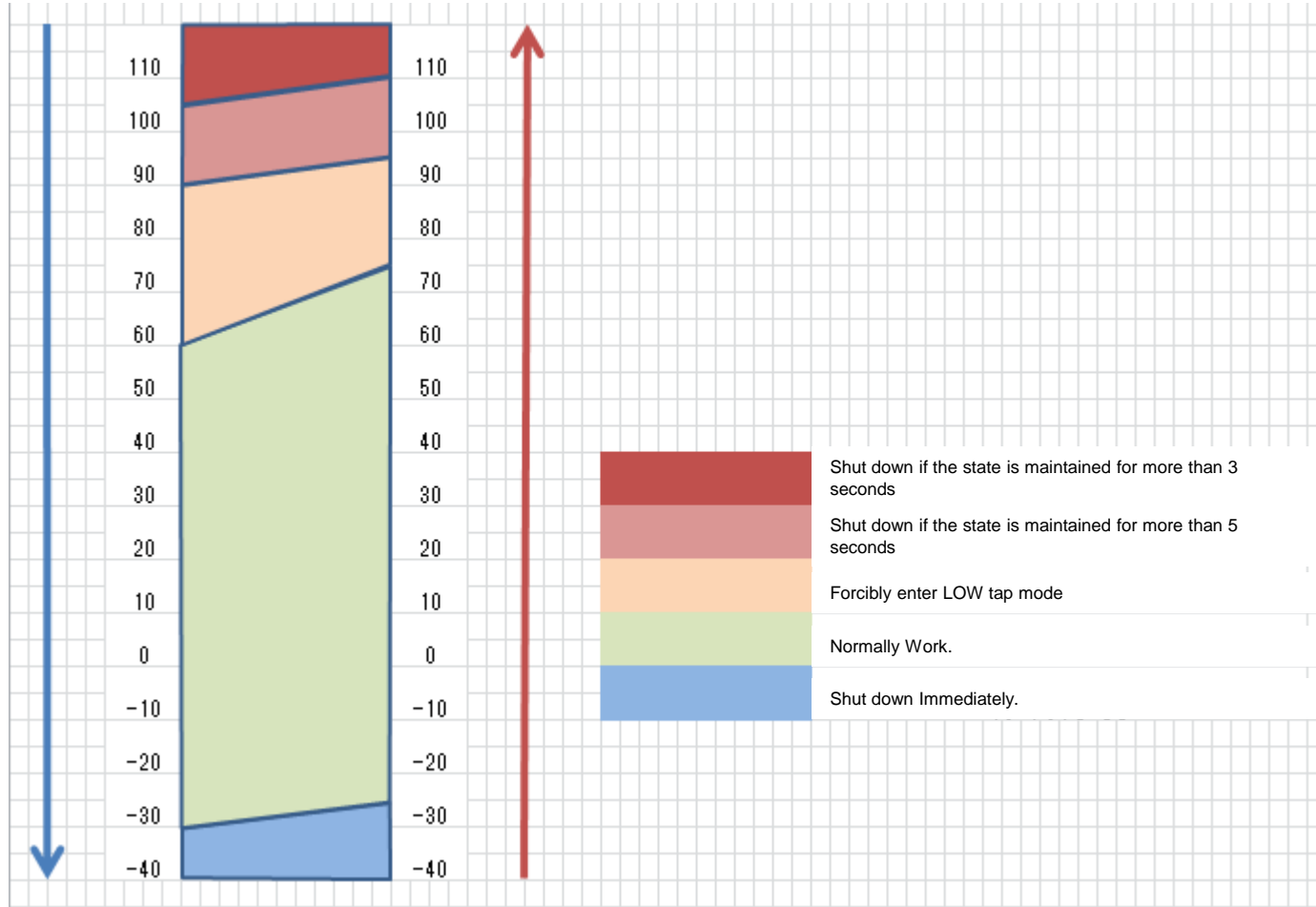
When the MCU detect Current Protection, MCU control to "LOW TAP" mode after next power on until speaker relay on.

LOW TAP mode means supplied voltage for final device of the power amplifier circuit will be supplied low voltage(About +25v).

[ Thermal Protection ]

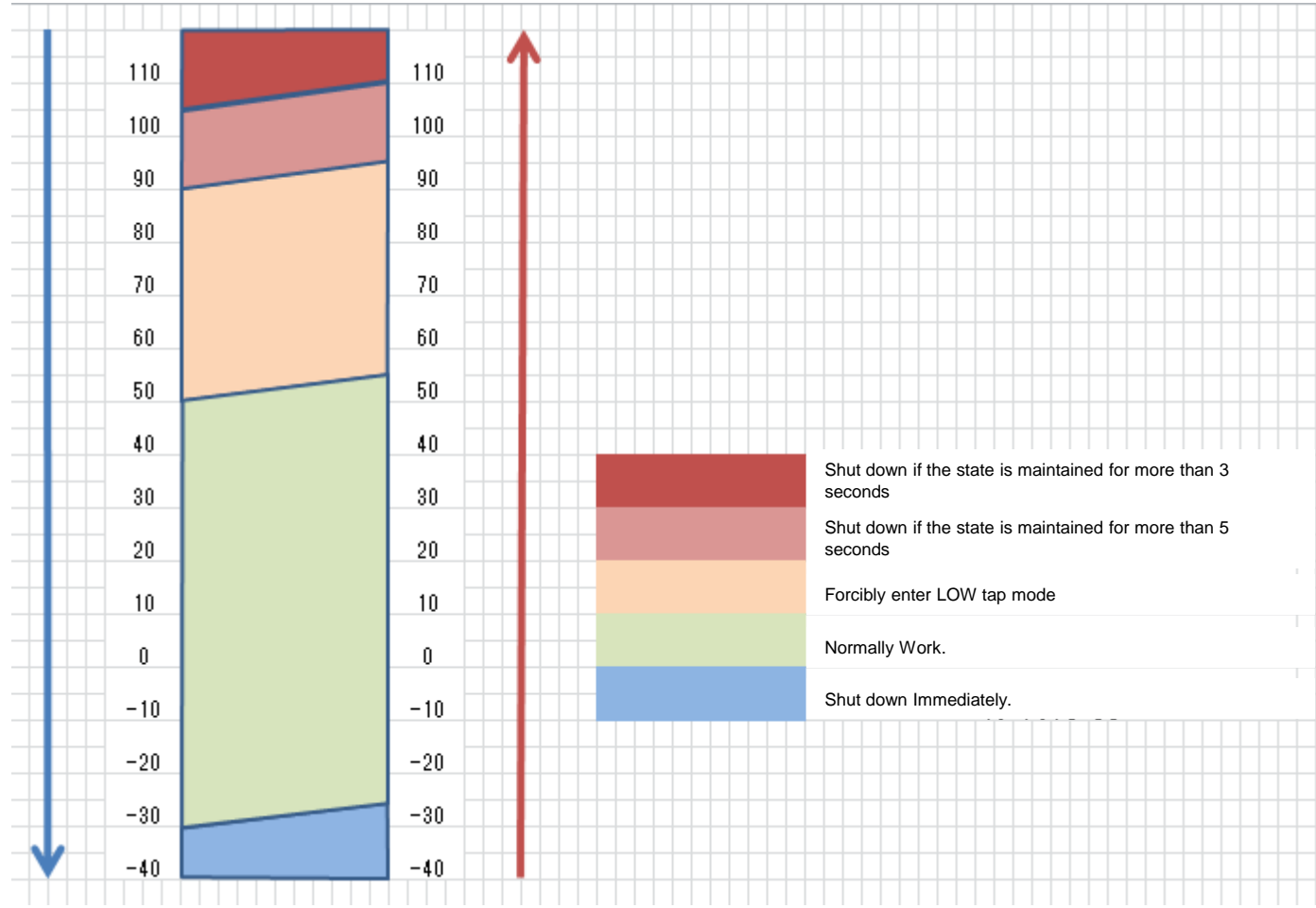
Main MCU watch the port of Thermal sensor output (P409A 2pin)

8ohm loading: (°C)





4ohm loading or Speaker A+B: (°C)



**A-9150(B)MDC****<Note>**

1. Parts marked by "NSP" are generally unavailable because they are not in our Master Spare Parts List.
  2. The ! mark found on some component parts indicates the importance of the safety factor of the part.
- Therefore, when replacing, be sure to use parts of identical designation.

**(B) : Black color model****<MDC> : 120V****Canadian/USA/(Mexico) model**

: NSP

REF. NO.	PART NAME	DESCRIPTION	Q'TY	PART NO. (SN)	REMARKS
<b>[ Cabinet, Chassis, Screws, Nuts ]</b>					
A001	CHASSIS	.	1	27100574C	<b>N</b> NSP
A002	LEG	(B)	4	27175464	
A003	CUSHION	(ZUL)	4	28141877	
A004	SCREW	3TTB+8B(3BC)	4	838430088GR	NSP
A005	HOLDER	KGLS-6S	8	27190011	NSP
A006	CUSHION	t5x30x10	2	28142027	NSP
A010	HEAT SINK	.	1	27160721	NSP
A011	RETAINER	(HS-2)	2	27141530A	NSP
A012	RETAINER	(HEATSINK)B	2	27142300	NSP
A013	SCREW	3SMH10W.SW+15B(CU)	9	801606	NSP
A014	SCREW	3TTB+8B(3BC)	23	838430088GR	NSP
A020	SCREW	4TTC+8C(3BC)SR	4	801658	NSP
A050	TAPE	TAPE(CLOTH-8U)	0.09	29110082	NSP
A051	WIRE TIE	BSK-1	5	260208	NSP
A052	HOLDER	(CLAMP) WS-1NS	5	27190541	NSP
A054	HOLDER	(CLAMP) UA-0	1	27190432	NSP
A055	TAPE	TAPE(CLOTH-16U)	0.397	29110083	NSP
A101	REAR PANEL	A-9150 MDC	1	27124925A	<b>N</b>
A102	TERMINAL	E TERMINAL	1	25060151	NSP
A103	CUSHION	.	2	28141799	NSP
A104	SCREW	3TTB+8B(3BC)	21	838430088GR	NSP
A105	SCREW	3TTB+10B(3BC)	4	838430108GR	NSP
A106	SCREW	3TTF+10B(3BC)	2	835430108GR	NSP
A107	SPACER	.	1	27270439	NSP
A108	CUSHION	(BUTYL)W4.4xT1.6	0.023	28141945	NSP
A109	SCREW	3P+6FN(3BC)	4	82143006GR	NSP
A201	FRONT PANEL	A-9150(B)	1	27214006A	
A202	BADGE	(ONKYO)	1	28135338	
A203	CLEAR PLATE	RE(B)	1	28192370A	
A204	FACET	(1)	5	28200066A	
A205	FACET	(3)	3	28200067A	
A209	TAPE	TAPE(CLOTH-8U)	0.428	29110082	NSP
A210	FRONT BRACKET	(AS)A-9150B	1	27111659	
A210A	FRONT BRACKET	(L)A-9030B	{1}	27111608B	<b>N</b> NSP
A210B	FRONT BRACKET	(CL)A-9030B	{1}	27111609B	<b>N</b> NSP
A210C	FRONT BRACKET	(CR)A-9030B	{1}	27111610A	<b>N</b> NSP
A210D	FRONT BRACKET	(R)A-9030B	{1}	27111611B	<b>N</b> NSP
A211	KNOB	(CAP-STBY)B	1	28327091A	
A212	KNOB	(TONE-VD)B(AS)	3	28327093A	
A212A	SPRING	.	{3}	27180575	
A213	KNOB	(INPUT)B(AS)	1	28327095A	
A213A	SPRING	.	{1}	27180575	
A214	KNOB	(VOL)AS_A9150B	1	28327399A	<b>N</b>
A214A	KNOB	(VOL-BASE)9150	{1}	28327418	<b>N</b> NSP

A214B	KNOB	(VOL-CAP)A9150B	{1}	28327397	N	NSP
A214C	SPRING	.	{1}	27180575		
A216	KNOB	(PH-B)AS	1	28327394	N	
A216A	KNOB	(PH-BASE)	{1}	28327391	N	NSP
A216B	KNOB	(PH-CAP)B	{1}	28327392	N	NSP
A218	RETAINER	(VOL)	1	27142377A	N	NSP
A219	SPACER	(VOL)	1	27270584		NSP
A220	SCREW	3TTB+8B(3BC)	15	838430088GR		NSP
A221	SCREW	3TTB+8B(3BC)	14	838430088GR		NSP
A222	CUSHION	(BUTYL)W4.4xT1.6	0.015	28141945		NSP
A230	COVER	(B) (Bent)	1	28210114	N	
A230	COVER	(B) (Not Bent)	1	28210114Z	N	
A231	CUSHION	HIMELON	3	28141934		NSP
A232	SCREW	3TTB+8B(3BC)	6	838430088GR		NSP
A252	CUSHION	(BUTYL)W4.4xT1.6	0.01	28141945		NSP
<b>[ Semi-conductors ]</b>						
D9003	DIODE	LN15XB60	1	22380347		
Q523	TRANSISTOR	TTA004B_Q(S	1	2218012		
Q524	TRANSISTOR	TTA004B_Q(S	1	2218012		
Q525	TRANSISTOR	TTC004B_Q(S	1	2218022		
Q526	TRANSISTOR	TTC004B_Q(S	1	2218022		
Q527	TRANSISTOR	2SC5242-O	1	2202843		
Q527or	TRANSISTOR	2SC5242-R	(1)	2202842		
Q527A	ISO SHEET	AC238	1	223024		
Q528	TRANSISTOR	2SC5242-O	1	2202843		
Q528or	TRANSISTOR	2SC5242-R	(1)	2202842		
Q528A	ISO SHEET	AC238	1	223024		
Q529	TRANSISTOR	2SA1962-O	1	2202833		
Q529or	TRANSISTOR	2SA1962-R	(1)	2202832		
Q529A	ISO SHEET	AC238	1	223024		
Q530	TRANSISTOR	2SA1962-O	1	2202833		
Q530or	TRANSISTOR	2SA1962-R	(1)	2202832		
Q530A	ISO SHEET	AC238	1	223024		
Q5611	TRANSISTOR	KTA1360-Y	1	2204250		
Q5611A	SCREW	3P+6FN(3BC)	1	82143006GR		NSP
Q5611B	HEAT SINK	(S)	1	27160723	N	NSP
Q5612	TRANSISTOR	KTC3423-Y	1	2204240		
Q5612A	SCREW	3P+6FN(3BC)	1	82143006GR		NSP
Q5711	TRANSISTOR	KTA1360-Y	1	2204250		
Q5711A	SCREW	3P+6FN(3BC)	1	82143006GR		NSP
Q5711B	HEAT SINK	(S)	1	27160723	N	NSP
Q5712	TRANSISTOR	KTC3423-Y	1	2204240		
Q5712A	SCREW	3P+6FN(3BC)	1	82143006GR		NSP
<b>[ Transformers, Coils ]</b>						
T901	POWER TRANSFORMER	NPT-1688D	1	2302197	I, N	
<b>[ Switches, Terminals, Wires ]</b>						
F901	FUSE	10A-T/UL-ST2	1	252333GR		!
F901or	FUSE	10A-UL/T-233	(1)	252330GR		!
F902	FUSE	10A-T/UL-ST2	1	252333GR		!
F902or	FUSE	10A-UL/T-233	(1)	252330GR		!
F951	FUSE	3.15A-T/UL-ST2	1	252256GR		!
F951or	FUSE	3.15A-UL/T-233	(1)	252323GR		!
F951A	LABEL	3.15A/125V	1	29361779		
P4000	SHORT PIN	RC04PL001N	1	25053653	N	
P4001	SHORT PIN	RC04PL001N	1	25053653	N	

P901	AC INLET	R301X2PSn	1	25053358	!
P901A	FASTON ASSEMBLY	FASTON SOCKET	1	1F999037	NSP
<b>[ Frontend, Units ]</b>					
<b>U010</b>	<b>PARENT PC BOARD AS</b>	<b>BAAMP-2433-1A-P</b>	<b>1</b>	<b>1B5142433-1A</b>	<b>Parent</b>
	BAAMP-2433 Amplifier circuit pc board AS	BAAMP-2433-1A	1	1B5142433-1A-C	Child
	BAETC-2447 Et cetra pc board AS	BAETC-2447-1A	1	1B5142447-1A-C	Child
	BAETC-2452 Et cetra pc board AS	BAETC-2452-1A	1	1B5142452-1A-C	Child
	BAETC-2507 Et cetra pc board AS	BAETC-2507-1A	1	1B5142507-1A-C	Child
<b>U020</b>	<b>PARENT PC BOARD AS</b>	<b>BADIS-2434-1C-P</b>	<b>1</b>	<b>1B5142434-1C</b>	<b>Parent</b>
	BADIS-2434 Display circuit pc board AS	BADIS-2434-1C	1	1B5142434-1C-C	Child
	BAETC-2435 Et cetra pc board AS	BAETC-2435-1C	1	1B5142435-1C-C	Child
	BADIS-2436 Display circuit pc board AS	BADIS-2436-1C	1	1B5142436-1C-C	Child
	BAETC-2437 Et cetra pc board AS	BAETC-2437-1C	1	1B5142437-1C-C	Child
	BAETC-2438 Et cetra pc board AS	BAETC-2438-1C	1	1B5142438-1C-C	Child
	BAPS-2440 Power supply circuit pc board AS	BAPS-2440-1C	1	1B5142440-1C-C	Child
	BAETC-2441 Et cetra pc board AS	BAETC-2441-1C	1	1B5142441-1C-C	Child
	BAETC-2446 Et cetra pc board AS	BAETC-2446-1C	1	1B5142446-1C-C	Child
	BAPS-2448 Power supply circuit pc board AS	BAPS-2448-1C	1	1B5142448-1C-C	Child
<b>U030</b>	<b>PARENT PC BOARD AS</b>	<b>BADG-2445-1A-P</b>	<b>1</b>	<b>1B5142445-1A</b>	<b>Parent</b>
	BADG-2445 Digital circuit pc board AS	BADG-2445-1A	1	1B5142445-1A-C	Child
	BAAMP-2443 Amplifier circuit pc board AS	BAAMP-2443-1A	1	1B5142443-1A-C	Child
	BAAF-2444 Audio frequency circuit pc board AS	BAAF-2444-1A	1	1B5142444-1A-C	Child
	BAAF-2449 Audio frequency circuit pc board AS	BAAF-2449-1A	1	1B5142449-1A-C	Child
	BAAMP-2451 Amplifier circuit pc board AS	BAAMP-2451-1A	1	1B5142451-1A-C	Child
<b>[ Packing ]</b>					
A301	CARTON	A-9150 MDC	1	29055811	
A311	POLYPROPYLENE TAPE	W50mm	1.5	29110200	NSP
A351A	UPC LABEL	A-9150(B)MDC	1	29393633	N
A401	PAD	(AS)A-9030	1	29092628C	N
A401A	PAD	(L)A-9030	{1}	29092629B	N
A401B	PAD	(R)A-9030	{1}	29092630C	N
A451	SHEET	1300*650	1	29096147	
A452	TAPE	(SEROHAN)NITTO NO.29	0.2	29110149	NSP
<b>[ Accessories ]</b>					
A501	WARRANTY CARD	(ONKYO)	1	29365156	
A506	REMOTE CONTROL TRANSMITTER	RC-959S	1	24140959	
A507	BATTERY	R03/AAA(UM-4)	2	3010124	NSP
A701	INSTRUCTION MANUAL	En(A-9150)	1	29402928	N
A702	INSTRUCTION MANUAL	U2FrEs(A-9150)	1	29402929	N
A707	SHEET	(FLYER-US (P) 2015)	1	29380168	NSP
A711	POLY BAG	(W250xD350)LDPE	1	29100272	NSP
A712	TAPE	(SEROHAN)NITTO NO.29	0.1	29110149	NSP
P902	POWER SUPPLY CORD	AS-UC-2	1	253352ATES	!

**BAAMP-2433-1A**

<Note>

1. Parts marked by "NSP" are generally unavailable because they are not in our Master Spare Parts List.
2. The ! mark found on some component parts indicates the importance of the safety factor of the part.  
Therefore, when replacing, be sure to use parts of identical designation.

: NSP

REF. NO.	PART NAME	DESCRIPTION	Q'TY	PART NO. (SN)	REMARKS
[ Semi-conductors ]					
D301	CHIP TYPE DIODE	DA2J10100	1	223303R2	NSP
D302	CHIP TYPE DIODE	DA2J10100	1	223303R2	NSP
D371	CHIP TYPE DIODE	S1NB60-4062	1	22380318R2	NSP
D377	ZENER DIODE	DZ2J075M0L	1	224760750R2	NSP
D378	ZENER DIODE	DZ2J075M0L	1	224760750R2	NSP
D460	CHIP TYPE DIODE	DA2J10100	1	223303R2	NSP
D462	ZENER DIODE	DZ2J033M0L	1	224760330R2	NSP
D505	CHIP TYPE DIODE	DA2J10100	1	223303R2	NSP
D506	CHIP TYPE DIODE	DA2J10100	1	223303R2	NSP
D510	CHIP TYPE DIODE	DA2J10100	1	223303R2	NSP
D511	CHIP TYPE DIODE	DA2J10100	1	223303R2	NSP
D512	ZENER DIODE	DZ2J033M0L	1	224760330R2	NSP
D513	ZENER DIODE	DZ2J033M0L	1	224760330R2	NSP
D514	ZENER DIODE	DZ2J068M0L	1	224760680R2	NSP
D520	CHIP TYPE DIODE	DA2J10100	1	223303R2	NSP
D521	CHIP TYPE DIODE	DA2J10100	1	223303R2	NSP
D551	CHIP TYPE DIODE	DA2J10100	1	223303R2	NSP
D552	CHIP TYPE DIODE	DA2J10100	1	223303R2	NSP
D553	CHIP TYPE DIODE	DA2J10100	1	223303R2	NSP
D554	CHIP TYPE DIODE	DA2J10100	1	223303R2	NSP
Q1101	TRANSISTOR	2SC3324-GR(TE85L_F)	1	2216825R2	NSP
Q1102	TRANSISTOR	2SC3324-GR(TE85L_F)	1	2216825R2	NSP
Q1103	TRANSISTOR	2SA1312-GR(TE85L_F)	1	2216835R2	NSP
Q1104	TRANSISTOR	2SA1312-GR(TE85L_F)	1	2216835R2	NSP
Q1105	TRANSISTOR	2SC3324-GR(TE85L_F)	1	2216825R2	NSP
Q1106	TRANSISTOR	2SC3324-GR(TE85L_F)	1	2216825R2	NSP
Q301	HYBRID IC	NJW1194	1	22242893R2	
Q302	TRANSISTOR	KRA102S	1	2216220R2	NSP
Q303	TRANSISTOR	KRC105S	1	2217290R2	NSP
Q304	TRANSISTOR	KRA102S	1	2216220R2	NSP
Q305	TRANSISTOR	KRC105S	1	2217290R2	NSP
Q311	TRANSISTOR	RTAN430C-T112-1	1	2217780R2	NSP
Q312	TRANSISTOR	RTAN430C-T112-1	1	2217780R2	NSP
Q313	TRANSISTOR	RTAN430C-T112-1	1	2217780R2	NSP
Q314	TRANSISTOR	RTAN430C-T112-1	1	2217780R2	NSP
Q371	HYBRID IC	78M15HF(NJM78M15FA)	1	222780155JRC	
Q371A	HEAT SINK	RAD-196	1	27160545	NSP
Q371B	SCREW	3P+10FN(3BC)	1	82143010GR	NSP
Q372	HYBRID IC	79M15HF(NJM79M15FA)	1	222790155JRC	
Q372B	SCREW	3P+10FN(3BC)	1	82143010GR	NSP
Q373	TRANSISTOR	2SC2712-GR	1	2213145R2	NSP
Q374	TRANSISTOR	2SA1162-GR	1	2214375R2	NSP
Q375	TRANSISTOR	2SA1488-Y	1	2203394	
Q376	TRANSISTOR	2SC3851-Y	1	2203384	
Q401	HYBRID IC	NJW1112	1	22242597R2	NSP
Q4100	HYBRID IC	LM61CIZ	1	22242212	
Q4100A	RETAINER	(PTH)	1	27141884-1	NSP
Q411	TRANSISTOR	RTAN430C-T112-1	1	2217780R2	NSP
Q412	TRANSISTOR	RTAN430C-T112-1	1	2217780R2	NSP
Q461	HYBRID IC	NJM4580CG	1	22242922R2	NSP
Q515	TRANSISTOR	KTC3198-GR	1	2215985T	
Q516	TRANSISTOR	KTC3198-GR	1	2215985T	

Q517	TRANSISTOR	KTC3198-GR	1	2215985T	
Q518	TRANSISTOR	KTC3198-GR	1	2215985T	
Q519	TRANSISTOR	KTC3423-Y	1	2204240	
Q520	TRANSISTOR	KTC3423-Y	1	2204240	
Q521	TRANSISTOR	KTA1360-Y	1	2204250	
Q522	TRANSISTOR	KTA1360-Y	1	2204250	
Q531	TRANSISTOR	2SC2713-BL	1	2213136R2	NSP
Q532	TRANSISTOR	2SC2713-BL	1	2213136R2	NSP
Q533	TRANSISTOR	KTA1266-GR	1	2215975T	
Q534	TRANSISTOR	KTA1266-GR	1	2215975T	
Q550	TRANSISTOR	2SA1163-BL	1	2216756R2	NSP
Q551	TRANSISTOR	2SA1163-BL	1	2216756R2	NSP
Q552	TRANSISTOR	2SC2712-GR	1	2213145R2	NSP
Q553	TRANSISTOR	2SC2712-GR	1	2213145R2	NSP
Q554	TRANSISTOR	2SC2713-BL	1	2213136R2	NSP
Q560	TRANSISTOR	KRC105S	1	2217290R2	NSP
Q561	TRANSISTOR	KRC105S	1	2217290R2	NSP
Q562	TRANSISTOR	KRA102S	1	2216220R2	NSP
Q563	TRANSISTOR	KRA102S	1	2216220R2	NSP
<b>[ Transformers, Coils ]</b>					
L501	FERRITE CORE	*	1	5597-45502	
L502	FERRITE CORE	*	1	5597-45502	
L503	FERRITE CORE	*	1	5597-45502	
L504	FERRITE CORE	*	1	5597-45502	
L505	SPEAKER OUTPUT FILTER COIL	SC-0.8X11.5X12.5T-6.5L	1	231393S	
L506	SPEAKER OUTPUT FILTER COIL	SC-0.8X11.5X12.5T-6.5L	1	231393S	
<b>[ Capacitors ]</b>					
C1101	FILM C	C281H104J20A21A	1	376821044T	NSP
C1102	FILM C	C281H104J20A21A	1	376821044T	NSP
C1103	FILM C	C281H224J20A21A	1	376822244T	NSP
C1104	FILM C	C281H224J20A21A	1	376822244T	NSP
C1105	UTSP TYPE ELECTROLYTIC CAPACITOR	CE04W25V-100M(UTSP)	1	397551017AT	
C1106	UTSP TYPE ELECTROLYTIC CAPACITOR	CE04W25V-100M(UTSP)	1	397551017AT	
C1107	FILM C	C281H334J20A21A	1	376823344T	NSP
C1108	FILM C	C281H334J20A21A	1	376823344T	NSP
C1109	FILM C	C281H224J20A21A	1	376822244T	NSP
C1110	FILM C	C281H224J20A21A	1	376822244T	NSP
C1131	UTSP TYPE ELECTROLYTIC CAPACITOR	CE04W25V-220M(UTSP)	1	397552217T	
C1132	UTSP TYPE ELECTROLYTIC CAPACITOR	CE04W25V-220M(UTSP)	1	397552217T	
C301	UMXR TYPE PLASTIC FILM CAPACITOR	1JUMXRTE332JE	1	376593324T	NSP
C302	UMXR TYPE PLASTIC FILM CAPACITOR	1JUMXRTE332JE	1	376593324T	NSP
C303	FILM C	C281H104J20A21A	1	376821044T	NSP
C304	FILM C	C281H104J20A21A	1	376821044T	NSP
C305	UTSP TYPE ELECTROLYTIC CAPACITOR	CE04W50V-4.7M(UTSP)	1	397580477AT	
C306	UTSP TYPE ELECTROLYTIC CAPACITOR	CE04W50V-4.7M(UTSP)	1	397580477AT	
C307	UPZ TYPE PLASTIC FILM CAPACITOR	2AUPZTF221JE	1	376332214T	NSP
C308	UPZ TYPE PLASTIC FILM CAPACITOR	2AUPZTF221JE	1	376332214T	NSP
C310	UTSP TYPE ELECTROLYTIC CAPACITOR	CE04W10V-220M(UTSP)	1	397532217AT	
C311	UTSP TYPE ELECTROLYTIC CAPACITOR	CE04W10V-220M(UTSP)	1	397532217AT	
C313	UTSP TYPE ELECTROLYTIC CAPACITOR	CE04W10V-220M(UTSP)	1	397532217AT	
C320	UTSP TYPE ELECTROLYTIC CAPACITOR	CE04W50V-1M(UTSP)	1	397580107AT	
C321	UTSP TYPE ELECTROLYTIC CAPACITOR	CE04W50V 47M(UTSP)	1	397584707AT	
C322	UTSP TYPE ELECTROLYTIC CAPACITOR	CE04W50V 47M(UTSP)	1	397584707AT	
C323	UTSP TYPE ELECTROLYTIC CAPACITOR	CE04W50V-1M(UTSP)	1	397580107AT	
C340	FILM C	C281H104J20A21A	1	376821044T	NSP



C341	FILM C	C281H104J20A21A	1	376821044T	NSP
C371	FILM C	C281H334J20A21A	1	376823344T	NSP
C372	UTSK C	CE04W35V-3300M(UTSK)	1	398363327S	
C373	UTSK C	CE04W35V-3300M(UTSK)	1	398363327S	
C376	UTSP TYPE ELECTROLYTIC CAPACITOR	CE04W25V-47M(UTSP)	1	397554707AT	
C377	UTSP TYPE ELECTROLYTIC CAPACITOR	CE04W25V-47M(UTSP)	1	397554707AT	
C378	UTSP TYPE ELECTROLYTIC CAPACITOR	CE04W50V-22M(UTSP)	1	397582207AT	
C379	UTSP TYPE ELECTROLYTIC CAPACITOR	CE04W50V-22M(UTSP)	1	397582207AT	
C380	UTSP TYPE ELECTROLYTIC CAPACITOR	CE04W16V-470M(UTSP)	1	397544717T	
C381	UTSP TYPE ELECTROLYTIC CAPACITOR	CE04W16V-470M(UTSP)	1	397544717T	
C382	FILM C	C281H334J20A21A	1	376823344T	NSP
C4001	CHIP TYPE CERAMIC CAPACITOR	CK725B1C-104K1	1	332121045R1	NSP
C4002	CHIP TYPE CERAMIC CAPACITOR	CK725B1C-104K1	1	332121045R1	NSP
C401	CHIP TYPE PLASTIC FILM CAPACITOR	63MU221KZ12012	1	376992215R2	NSP
C402	CHIP TYPE PLASTIC FILM CAPACITOR	63MU221KZ12012	1	376992215R2	NSP
C403	CHIP TYPE PLASTIC FILM CAPACITOR	63MU221KZ12012	1	376992215R2	NSP
C404	CHIP TYPE PLASTIC FILM CAPACITOR	63MU221KZ12012	1	376992215R2	NSP
C405	CHIP TYPE PLASTIC FILM CAPACITOR	63MU221KZ12012	1	376992215R2	NSP
C406	CHIP TYPE PLASTIC FILM CAPACITOR	63MU221KZ12012	1	376992215R2	NSP
C407	CHIP TYPE PLASTIC FILM CAPACITOR	63MU221KZ12012	1	376992215R2	NSP
C408	CHIP TYPE PLASTIC FILM CAPACITOR	63MU221KZ12012	1	376992215R2	NSP
C409	UMXR TYPE PLASTIC FILM CAPACITOR	1JUMXRTE102JE	1	376591024T	NSP
C410	FILM C	C281H104J20A21A	1	376821044T	NSP
C411	UPZ TYPE PLASTIC FILM CAPACITOR	2AUPZTF221JE	1	376332214T	NSP
C412	UPZ TYPE PLASTIC FILM CAPACITOR	2AUPZTF221JE	1	376332214T	NSP
C413	UTSP TYPE ELECTROLYTIC CAPACITOR	CE04W50V 47M(UTSP)	1	397584707AT	
C414	UTSP TYPE ELECTROLYTIC CAPACITOR	CE04W50V 47M(UTSP)	1	397584707AT	
C451	UTSP TYPE ELECTROLYTIC CAPACITOR	CE04W10V-220M(UTSP)	1	397532217AT	
C453	UTSP TYPE ELECTROLYTIC CAPACITOR	CE04W50V 47M(UTSP)	1	397584707AT	
C454	UTSP TYPE ELECTROLYTIC CAPACITOR	CE04W50V 47M(UTSP)	1	397584707AT	
C455	UTSP TYPE ELECTROLYTIC CAPACITOR	CE04W10V-220M(UTSP)	1	397532217AT	
C456	UTSP TYPE ELECTROLYTIC CAPACITOR	CE04W10V-220M(UTSP)	1	397532217AT	
C460	UTSP TYPE ELECTROLYTIC CAPACITOR	CE04W50V-10M(UTSP)	1	397581007AT	
C461	UTSP TYPE ELECTROLYTIC CAPACITOR	CE04W50V-2.2M(UTSP)	1	397580227AT	
C462	UTSP TYPE ELECTROLYTIC CAPACITOR	CE04W50V-10M(UTSP)	1	397581007AT	
C463	UTSP TYPE ELECTROLYTIC CAPACITOR	CE04W25V-220M(UTSP)	1	397552217T	
C464	UTSP TYPE ELECTROLYTIC CAPACITOR	CE04W25V-220M(UTSP)	1	397552217T	
C5005	UTSP TYPE ELECTROLYTIC CAPACITOR	CE04W50V-220M(UTSP)	1	397582217T	
C5006	UTSP TYPE ELECTROLYTIC CAPACITOR	CE04W50V-220M(UTSP)	1	397582217T	
C5007	UTSP TYPE ELECTROLYTIC CAPACITOR	CE04W50V-220M(UTSP)	1	397582217T	
C5008	UTSP TYPE ELECTROLYTIC CAPACITOR	CE04W50V-220M(UTSP)	1	397582217T	
C511	FILM C	C281H224J20A21A	1	376822244T	NSP
C512	FILM C	C281H224J20A21A	1	376822244T	NSP
C519	UMXR TYPE PLASTIC FILM CAPACITOR	1JUMXRTE103JE	1	376591034T	NSP
C520	UMXR TYPE PLASTIC FILM CAPACITOR	1JUMXRTE103JE	1	376591034T	NSP
C523	UMXR TYPE PLASTIC FILM CAPACITOR	1JUMXRTE473JE	1	376594734T	NSP
C524	UMXR TYPE PLASTIC FILM CAPACITOR	1JUMXRTE473JE	1	376594734T	NSP
C530	CHIP TYPE CERAMIC CAPACITOR	CK725B1H-104K1	1	332101045R1	NSP
C531	UTSP TYPE ELECTROLYTIC CAPACITOR	CE04W50V-100M(UTSP)	1	397581017T	
C532	UTSP TYPE ELECTROLYTIC CAPACITOR	CE04W50V-1M(UTSP)	1	397580107AT	
C533	CHIP TYPE CERAMIC CAPACITOR	CC725CH1H-101J1	1	342101014R1	NSP
C534	UTSP TYPE ELECTROLYTIC CAPACITOR	CE04W50V-1M(UTSP)	1	397580107AT	
C535	UTSP TYPE ELECTROLYTIC CAPACITOR	CE04W50V-22M(UTSP)	1	397582207AT	
C536	UTSP TYPE ELECTROLYTIC CAPACITOR	CE04W50V-22M(UTSP)	1	397582207AT	
C537	CHIP TYPE CERAMIC CAPACITOR	CK725B1H-332K1	1	332103325R1	NSP

C538	UTSP TYPE ELECTROLYTIC CAPACITOR	CE04W50V-1M(UTSP)	1	397580107AT	
C541	UTSP TYPE ELECTROLYTIC CAPACITOR	CE04W50V-22M(UTSP)	1	397582207AT	
C542	UTSP TYPE ELECTROLYTIC CAPACITOR	CE04W50V-22M(UTSP)	1	397582207AT	
C550	UMXR TYPE PLASTIC FILM CAPACITOR	1JUMXRTF102JE	1	376591024T	NSP
C551	UMXR TYPE PLASTIC FILM CAPACITOR	1JUMXRTF102JE	1	376591024T	NSP
C552	UMXR TYPE PLASTIC FILM CAPACITOR	1JUMXRTF103JE	1	376591034T	NSP
C553	UMXR TYPE PLASTIC FILM CAPACITOR	1JUMXRTF103JE	1	376591034T	NSP
C554	UMXR TYPE PLASTIC FILM CAPACITOR	1JUMXRTF103JE	1	376591034T	NSP
C555	UMXR TYPE PLASTIC FILM CAPACITOR	1JUMXRTF103JE	1	376591034T	NSP
C558	FILM C	C281H104J20A21A	1	376821044T	NSP
C559	FILM C	C281H104J20A21A	1	376821044T	NSP
C600	CHIP TYPE CERAMIC CAPACITOR	CK725B1H-104K1	1	332101045R1	NSP
C9001	FILM C	C281H334J20A21A	1	376823344T	NSP
C9002	FILM C	C281H334J20A21A	1	376823344T	NSP
C9005	FILM C	C281H334J20A21A	1	376823344T	NSP
C9006	FILM C	C281H334J20A21A	1	376823344T	NSP
C9007	ELECTROLYTIC CAPACITOR	CE69W56V-10000MMC	1	3504547	N
C9008	ELECTROLYTIC CAPACITOR	CE69W56V-10000MMC	1	3504547	N
<b>[ Resistors ]</b>					
R1101	CHIP TYPE CARBON RESISTOR	RN72K1J-822JE	1	435038224R1	NSP
R1102	CHIP TYPE CARBON RESISTOR	RN72K1J-822JE	1	435038224R1	NSP
R1103	CHIP TYPE CARBON RESISTOR	RN72K1J-474JE	1	435034744R1	NSP
R1104	CHIP TYPE CARBON RESISTOR	RN72K1J-474JE	1	435034744R1	NSP
R1105	CHIP TYPE CARBON RESISTOR	RN72K1J-224JE	1	435032244R1	NSP
R1106	CHIP TYPE CARBON RESISTOR	RN72K1J-224JE	1	435032244R1	NSP
R1107	CHIP TYPE CARBON RESISTOR	RN72K1J-332JE	1	435033324R1	NSP
R1108	CHIP TYPE CARBON RESISTOR	RN72K1J-332JE	1	435033324R1	NSP
R1109	CHIP TYPE CARBON RESISTOR	RN72K1J-332JE	1	435033324R1	NSP
R1110	CHIP TYPE CARBON RESISTOR	RN72K1J-332JE	1	435033324R1	NSP
R1111	CHIP TYPE CARBON RESISTOR	RN72K1J-153JE	1	435031534R1	NSP
R1112	CHIP TYPE CARBON RESISTOR	RN72K1J-153JE	1	435031534R1	NSP
R1113	CHIP TYPE CARBON RESISTOR	RN72K1J-562JE	1	435035624R1	NSP
R1114	CHIP TYPE CARBON RESISTOR	RN72K1J-562JE	1	435035624R1	NSP
R1115	CHIP TYPE CARBON RESISTOR	RN72K1J-332JE	1	435033324R1	NSP
R1116	CHIP TYPE CARBON RESISTOR	RN72K1J-332JE	1	435033324R1	NSP
R1117	CHIP TYPE CARBON RESISTOR	RN72K1J-123JE	1	435031234R1	NSP
R1118	CHIP TYPE CARBON RESISTOR	RN72K1J-123JE	1	435031234R1	NSP
R1119	CHIP TYPE CARBON RESISTOR	RN72K1J-562JE	1	435035624R1	NSP
R1120	CHIP TYPE CARBON RESISTOR	RN72K1J-562JE	1	435035624R1	NSP
R1121	CHIP TYPE CARBON RESISTOR	RN72K1J-331JE	1	435033314R1	NSP
R1122	CHIP TYPE CARBON RESISTOR	RN72K1J-331JE	1	435033314R1	NSP
R1123	CHIP TYPE CARBON RESISTOR	RN72K1J-272JE	1	435032724R1	NSP
R1124	CHIP TYPE CARBON RESISTOR	RN72K1J-272JE	1	435032724R1	NSP
R1125	CHIP TYPE CARBON RESISTOR	RN72K1J-221JE	1	435032214R1	NSP
R1126	CHIP TYPE CARBON RESISTOR	RN72K1J-221JE	1	435032214R1	NSP
R1127	CHIP TYPE CARBON RESISTOR	RN72K1J-331JE	1	435033314R1	NSP
R1128	CHIP TYPE CARBON RESISTOR	RN72K1J-331JE	1	435033314R1	NSP
R1129	CHIP TYPE CARBON RESISTOR	RN72K1J-104JE	1	435031044R1	NSP
R1130	CHIP TYPE CARBON RESISTOR	RN72K1J-104JE	1	435031044R1	NSP
R1131	CHIP TYPE CARBON RESISTOR	RN72K1J-223JE	1	435032234R1	NSP
R1132	CHIP TYPE CARBON RESISTOR	RN72K1J-223JE	1	435032234R1	NSP
R1135	CHIP TYPE CARBON RESISTOR	RN72K2E-220JE	1	435222204R1	NSP
R1136	CHIP TYPE CARBON RESISTOR	RN72K2E-220JE	1	435222204R1	NSP
R301	C-METAL R	RN72K2B-104JE2	1	435111044R1	NSP
R302	C-METAL R	RN72K2B-104JE2	1	435111044R1	NSP



R303	CHIP TYPE CARBON RESISTOR	RN72K1J-472JE	1	435034724R1	NSP
R304	CHIP TYPE CARBON RESISTOR	RN72K1J-472JE	1	435034724R1	NSP
R305	C-METAL R	RN72K2B-224JE2	1	435112244R1	NSP
R306	C-METAL R	RN72K2B-224JE2	1	435112244R1	NSP
R307	CHIP TYPE CARBON RESISTOR	RN72K1J-472JE	1	435034724R1	NSP
R308	CHIP TYPE CARBON RESISTOR	RN72K1J-472JE	1	435034724R1	NSP
R310	CHIP TYPE CARBON RESISTOR	RN72K1J-222JE	1	435032224R1	NSP
R311	CHIP TYPE CARBON RESISTOR	RN72K1J-222JE	1	435032224R1	NSP
R312	CHIP TYPE CARBON RESISTOR	RN72K1J-222JE	1	435032224R1	NSP
R313	CHIP TYPE CARBON RESISTOR	RN72K1J-103JE	1	435031034R1	NSP
R318	CHIP TYPE CARBON RESISTOR	RN72K1J-471JE	1	435034714R1	NSP
R319	CHIP TYPE CARBON RESISTOR	RN72K1J-471JE	1	435034714R1	NSP
R323	C-METAL R	RN72K2B-224JE2	1	435112244R1	NSP
R324	C-METAL R	RN72K2B-224JE2	1	435112244R1	NSP
R325	C-METAL R	RN72K2B-224JE2	1	435112244R1	NSP
R326	C-METAL R	RN72K2B-224JE2	1	435112244R1	NSP
R327	C-METAL R	RN72K2B-331JE2	1	435113314R1	NSP
R328	C-METAL R	RN72K2B-331JE2	1	435113314R1	NSP
R329	C-METAL R	RN72K2B-101JE2	1	435111014R1	NSP
R330	C-METAL R	RN72K2B-101JE2	1	435111014R1	NSP
R340	CHIP TYPE CARBON RESISTOR	RN72K1J-102JE	1	435031024R1	NSP
R341	CHIP TYPE CARBON RESISTOR	RN72K1J-224JE	1	435032244R1	NSP
R342	CHIP TYPE CARBON RESISTOR	RN72K1J-102JE	1	435031024R1	NSP
R343	CHIP TYPE CARBON RESISTOR	RN72K1J-224JE	1	435032244R1	NSP
R371	METAL RESISTOR	RNU1/2WCJ-1	1	453530104T	NSP
R372	METAL RESISTOR	RNU1/2WCJ-1	1	453530104T	NSP
R375	CHIP TYPE CARBON RESISTOR	RN72K1J-472JE	1	435034724R1	NSP
R376	CHIP TYPE CARBON RESISTOR	RN72K1J-472JE	1	435034724R1	NSP
R377	CHIP TYPE CARBON RESISTOR	RN72K1J-331JE	1	435033314R1	NSP
R378	CHIP TYPE CARBON RESISTOR	RN72K1J-331JE	1	435033314R1	NSP
R401	C-METAL R	RN72K2B-471JE2	1	435114714R1	NSP
R402	C-METAL R	RN72K2B-471JE2	1	435114714R1	NSP
R403	C-METAL R	RN72K2B-224JE2	1	435112244R1	NSP
R404	C-METAL R	RN72K2B-224JE2	1	435112244R1	NSP
R405	C-METAL R	RN72K2B-471JE2	1	435114714R1	NSP
R406	C-METAL R	RN72K2B-471JE2	1	435114714R1	NSP
R407	C-METAL R	RN72K2B-224JE2	1	435112244R1	NSP
R408	C-METAL R	RN72K2B-224JE2	1	435112244R1	NSP
R409	C-METAL R	RN72K2B-471JE2	1	435114714R1	NSP
R410	C-METAL R	RN72K2B-471JE2	1	435114714R1	NSP
R411	C-METAL R	RN72K2B-224JE2	1	435112244R1	NSP
R412	C-METAL R	RN72K2B-224JE2	1	435112244R1	NSP
R413	C-METAL R	RN72K2B-471JE2	1	435114714R1	NSP
R414	C-METAL R	RN72K2B-471JE2	1	435114714R1	NSP
R415	C-METAL R	RN72K2B-224JE2	1	435112244R1	NSP
R416	C-METAL R	RN72K2B-224JE2	1	435112244R1	NSP
R421	C-METAL R	RN72K2B-101JE2	1	435111014R1	NSP
R422	C-METAL R	RN72K2B-101JE2	1	435111014R1	NSP
R423	C-METAL R	RN72K2B-224JE2	1	435112244R1	NSP
R424	C-METAL R	RN72K2B-224JE2	1	435112244R1	NSP
R425	C-METAL R	RN72K2B-222JE2	1	435112224R1	NSP
R426	C-METAL R	RN72K2B-222JE2	1	435112224R1	NSP
R431	C-METAL R	RN72K2B-224JE2	1	435112244R1	NSP
R432	C-METAL R	RN72K2B-224JE2	1	435112244R1	NSP
R433	C-METAL R	RN72K2B-224JE2	1	435112244R1	NSP

R434	C-METAL R	RN72K2B-224JE2	1	435112244R1	NSP
R451	CHIP TYPE CARBON RESISTOR	RN72K1J-222JE	1	435032224R1	NSP
R452	CHIP TYPE CARBON RESISTOR	RN72K1J-222JE	1	435032224R1	NSP
R453	CHIP TYPE CARBON RESISTOR	RN72K1J-222JE	1	435032224R1	NSP
R454	CHIP TYPE CARBON RESISTOR	RN72K1J-103JE	1	435031034R1	NSP
R455	CHIP TYPE CARBON RESISTOR	RN72K1J-103JE	1	435031034R1	NSP
R456	CHIP TYPE CARBON RESISTOR	RN72K1J-103JE	1	435031034R1	NSP
R457	CHIP TYPE CARBON RESISTOR	RN72K1J-220JE	1	435032204R1	NSP
R458	CHIP TYPE CARBON RESISTOR	RN72K1J-220JE	1	435032204R1	NSP
R460	CHIP TYPE CARBON RESISTOR	RN72K1J-562JE	1	435035624R1	NSP
R461	CHIP TYPE CARBON RESISTOR	RN72K1J-104JE	1	435031044R1	NSP
R462	CHIP TYPE CARBON RESISTOR	RN72K1J-560JE	1	435035604R1	NSP
R463	CHIP TYPE CARBON RESISTOR	RN72K1J-564JE	1	435035644R1	NSP
R464	CHIP TYPE CARBON RESISTOR	RN72K1J-102JE	1	435031024R1	NSP
R465	CHIP TYPE CARBON RESISTOR	RN72K1J-103JE	1	435031034R1	NSP
R466	CHIP TYPE CARBON RESISTOR	RN72K2E-220JE	1	435222204R1	NSP
R467	CHIP TYPE CARBON RESISTOR	RN72K2E-220JE	1	435222204R1	NSP
R469	CHIP TYPE CARBON RESISTOR	RN72K1J-000JE	1	435030004R1	NSP
R471	CHIP TYPE CARBON RESISTOR	RN72K1J-331JE	1	435033314R1	NSP
R472	CHIP TYPE CARBON RESISTOR	RN72K1J-331JE	1	435033314R1	NSP
R520	METAL OXIDE FILM RESISTOR	RS1/2WBJ-470	1	443524714T	NSP
R521	METAL OXIDE FILM RESISTOR	RS1/2WBJ-470	1	443524714T	NSP
R539	CHIP TYPE CARBON RESISTOR	RN72K2E-100JE	1	435221004R1	NSP
R540	CHIP TYPE CARBON RESISTOR	RN72K2E-100JE	1	435221004R1	NSP
R541	CHIP TYPE CARBON RESISTOR	RN72K2E-100JE	1	435221004R1	NSP
R542	CHIP TYPE CARBON RESISTOR	RN72K2E-100JE	1	435221004R1	NSP
R543	METAL OXIDE FILM RESISTOR	RS1/2WBJ-56	1	443525604T	NSP
R544	METAL OXIDE FILM RESISTOR	RS1/2WBJ-56	1	443525604T	NSP
R545	CHIP TYPE CARBON RESISTOR	RN72K1J-392JE	1	435033924R1	NSP
R546	CHIP TYPE CARBON RESISTOR	RN72K1J-392JE	1	435033924R1	NSP
R547	METAL PLATE RESISTOR	MPR5W+5W 0R22	1	4000233	
R548	METAL PLATE RESISTOR	MPR5W+5W 0R22	1	4000233	
R551	CHIP TYPE CARBON RESISTOR	RN72K1J-333JE	1	435033334R1	NSP
R552	CHIP TYPE CARBON RESISTOR	RN72K1J-333JE	1	435033334R1	NSP
R553	CHIP TYPE CARBON RESISTOR	RN72K1J-103JE	1	435031034R1	NSP
R554	CHIP TYPE CARBON RESISTOR	RN72K1J-103JE	1	435031034R1	NSP
R555	NON-FLAMMABLE CARBON FILM RESISTOR	R25J-1.0K	1	415471024T	
R556	NON-FLAMMABLE CARBON FILM RESISTOR	R25J-1.0K	1	415471024T	
R557	CHIP TYPE CARBON RESISTOR	RN72K1J-223JE	1	435032234R1	NSP
R558	CHIP TYPE CARBON RESISTOR	RN72K1J-223JE	1	435032234R1	NSP
R559	CHIP TYPE CARBON RESISTOR	RN72K1J-394JE	1	435033944R1	NSP
R560	CHIP TYPE CARBON RESISTOR	RN72K1J-394JE	1	435033944R1	NSP
R561	CHIP TYPE CARBON RESISTOR	RN72K1J-472JE	1	435034724R1	NSP
R562	CHIP TYPE CARBON RESISTOR	RN72K1J-472JE	1	435034724R1	NSP
R579	CHIP TYPE CARBON RESISTOR	RN72K1J-563JE	1	435035634R1	NSP
R580	CHIP TYPE CARBON RESISTOR	RN72K1J-563JE	1	435035634R1	NSP
R581	CHIP TYPE CARBON RESISTOR	RN72K1J-472JE	1	435034724R1	NSP
R582	CHIP TYPE CARBON RESISTOR	RN72K1J-472JE	1	435034724R1	NSP
R583	CHIP TYPE CARBON RESISTOR	RN72K1J-332JE	1	435033324R1	NSP
R584	CHIP TYPE CARBON RESISTOR	RN72K1J-332JE	1	435033324R1	NSP
R585	CHIP TYPE CARBON RESISTOR	RN72K1J-222JE	1	435032224R1	NSP
R586	CHIP TYPE CARBON RESISTOR	RN72K1J-222JE	1	435032224R1	NSP
R587	TRIMMER RESISTOR	N06HR1KBC	1	5211438T	NSP
R588	TRIMMER RESISTOR	N06HR1KBC	1	5211438T	NSP
R589	CHIP TYPE CARBON RESISTOR	RN72K1J-272JE	1	435032724R1	NSP

R590	CHIP TYPE CARBON RESISTOR	RN72K1J-272JE	1	435032724R1	NSP
R591	NON-FLAMMABLE CARBON FILM RESISTO	R25J-10	1	415471004T	
R592	NON-FLAMMABLE CARBON FILM RESISTO	R25J-10	1	415471004T	
R593	NON-FLAMMABLE CARBON FILM RESISTO	R25J-100	1	415471014T	
R594	NON-FLAMMABLE CARBON FILM RESISTO	R25J-100	1	415471014T	
R595	NON-FLAMMABLE CARBON FILM RESISTO	R25J-100	1	415471014T	
R596	NON-FLAMMABLE CARBON FILM RESISTO	R25J-100	1	415471014T	
R597	NON-FLAMMABLE CARBON FILM RESISTO	R25J-15	1	415471504T	
R598	NON-FLAMMABLE CARBON FILM RESISTO	R25J-15	1	415471504T	
R599	NON-FLAMMABLE CARBON FILM RESISTO	R25J-15	1	415471504T	
R600	NON-FLAMMABLE CARBON FILM RESISTO	R25J-15	1	415471504T	
R601	NON-FLAMMABLE CARBON FILM RESISTO	R25J-2.2	1	415470224T	
R602	NON-FLAMMABLE CARBON FILM RESISTO	R25J-2.2	1	415470224T	
R603	NON-FLAMMABLE CARBON FILM RESISTO	R25J-2.2	1	415470224T	
R604	NON-FLAMMABLE CARBON FILM RESISTO	R25J-2.2	1	415470224T	
R606	CHIP TYPE CARBON RESISTOR	RN72K1J-103JE	1	435031034R1	NSP
R607	CHIP TYPE CARBON RESISTOR	RN72K2E-100JE	1	435221004R1	NSP
R608	CHIP TYPE CARBON RESISTOR	RN72K2E-100JE	1	435221004R1	NSP
R609	CHIP TYPE CARBON RESISTOR	RN72K1J-473JE	1	435034734R1	NSP
R610	CHIP TYPE CARBON RESISTOR	RN72K1J-473JE	1	435034734R1	NSP
R611	CHIP TYPE CARBON RESISTOR	RN72K1J-473JE	1	435034734R1	NSP
R612	CHIP TYPE CARBON RESISTOR	RN72K1J-473JE	1	435034734R1	NSP
R613	METAL RESISTOR	RNU1WCJ-8.2	1	453630824T	NSP
R614	METAL RESISTOR	RNU1WCJ-8.2	1	453630824T	NSP
R615	CHIP TYPE CARBON RESISTOR	RN72K1J-333JE	1	435033334R1	NSP
R616	CHIP TYPE CARBON RESISTOR	RN72K1J-333JE	1	435033334R1	NSP
R617	CHIP TYPE CARBON RESISTOR	RN72K2E-150JE	1	435221504R1	NSP
R618	CHIP TYPE CARBON RESISTOR	RN72K2E-150JE	1	435221504R1	NSP
R619	CHIP TYPE CARBON RESISTOR	RN72K2E-150JE	1	435221504R1	NSP
R620	CHIP TYPE CARBON RESISTOR	RN72K2E-150JE	1	435221504R1	NSP
R621	CHIP TYPE CARBON RESISTOR	RN72K1J-223JE	1	435032234R1	NSP
R622	CHIP TYPE CARBON RESISTOR	RN72K1J-223JE	1	435032234R1	NSP
R623	METAL OXIDE FILM RESISTOR	RS1WBJ-390	1	443623914T	NSP
R624	METAL OXIDE FILM RESISTOR	RS1WBJ-390	1	443623914T	NSP
R625	CHIP TYPE CARBON RESISTOR	RN72K1J-103JE	1	435031034R1	NSP
R626	CHIP TYPE CARBON RESISTOR	RN72K1J-333JE	1	435033334R1	NSP
R627	CHIP TYPE CARBON RESISTOR	RN72K1J-222JE	1	435032224R1	NSP
R628	CHIP TYPE CARBON RESISTOR	RN72K1J-473JE	1	435034734R1	NSP
R629	CHIP TYPE CARBON RESISTOR	RN72K1J-473JE	1	435034734R1	NSP
R630	CHIP TYPE CARBON RESISTOR	RN72K1J-474JE	1	435034744R1	NSP
R631	CHIP TYPE CARBON RESISTOR	RN72K1J-123JE	1	435031234R1	NSP
R632	CHIP TYPE CARBON RESISTOR	RN72K1J-103JE	1	435031034R1	NSP
R633	CHIP TYPE CARBON RESISTOR	RN72K1J-473JE	1	435034734R1	NSP
R635	CHIP TYPE CARBON RESISTOR	RN72K1J-123JE	1	435031234R1	NSP
R636	CHIP TYPE CARBON RESISTOR	RN72K1J-123JE	1	435031234R1	NSP
R640	CHIP TYPE CARBON RESISTOR	RN72K1J-223JE	1	435032234R1	NSP
R7005	CHIP TYPE CARBON RESISTOR	RN72K1J-103JE	1	435031034R1	NSP
R7007	CHIP TYPE CARBON RESISTOR	RN72K1J-224JE	1	435032244R1	NSP
<b>[ Switches, Terminals, Wires ]</b>					
P010	PRINTED WIRING BOARD	BCAMP-2433	1	25142433A	<b>N</b> NSP
P010B	PRINTED WIRING BOARD	BCETC-2447	{1}	25142447	<b>N</b> NSP
P010C	PRINTED WIRING BOARD	BCETC-2452	{1}	25142452	<b>N</b> NSP
P010D	PRINTED WIRING BOARD	BCETC-2507	{1}	25142507	<b>N</b> NSP
P371	PLUG	NPLG-3P117	1	25055133	NSP
P401	PIN JACK	NPJ-4PDRW592	1	25045812	

P402	PIN JACK	NPJ-6PDRW665	1	25045894	
P403B	PLUG	NPLG-9P0964	1	25056014	NSP
P404B	PLUG	NPLG-9P0964	1	25056014	NSP
P409	WIRE HARNESS ASSEMBLY	NSAS-3P2097	1	2009991286UL	NSP
P409A	WIRE HOL	CHD-1.5-3	1	25053535	NSP
P411	RETAINER	(BUS-BAR)	1	27142380	NSP
P412	RETAINER	(BUS-BAR)	1	27142380	NSP
P415	RETAINER	(BUS-BAR)	1	27142302	NSP
P416	RETAINER	(BUS-BAR)	1	27142302	NSP
P498	TRM(SCREW)	TER21-0130V	1	25060533	NSP
P499	RETAINER	(TRM)	1	25060507	NSP
P500	TERMINAL	NTM-4PDSCR475	1	25060554	N
P5001A	PLUG	NPLG-9P0964	1	25056014	NSP
P5002A	PLUG	NPLG-9P0964	1	25056014	NSP
P501	TERMINAL	NTM-4PDSCR475	1	25060554	N
P511	PLUG	NPLG-2P29	1	25055038	NSP
P512	PLUG	NPLG-2P29	1	25055038	NSP
P514B	PLUG	NPLG-5P133	1	25055149	NSP
P7001B	PLUG	NPLG-13P0968	1	25056018	NSP
P7002B	PLUG	IMSA-9111B-16	1	25056620	NSP
P7003B	PLUG	IMSA-9111B-16	1	25056620	NSP
P7101B	PLUG	NPLG-11P139	1	25055155	NSP
P7102B	PLUG	NPLG-9P137	1	25055153	NSP
P905	WIRE HARNESS ASSEMBLY	NSAS-6P2498	1	2009991614UL	NSP
RL301	RELAY	NRL-2P2A-DC12-207	1	25065726	
RL302	RELAY	NRL-2P2A-DC12-207	1	25065726	
RL500	RELAY	NRL-2P5A-DC24-129	1	25065563A	
RL501	RELAY	NRL-2P5A-DC24-129	1	25065563A	
S7001	SLIDE SWITCH	NSS-22203	1	25065581	

**BADG-2445-1A****<Note>**

1. Parts marked by "NSP" are generally unavailable because they are not in our Master Spare Parts List.
2. The ! mark found on some component parts indicates the importance of the safety factor of the part.  
Therefore, when replacing, be sure to use parts of identical designation.

: NSP

REF. NO.	PART NAME	DESCRIPTION	Q'TY	PART NO. (SN)	REMARKS
<b>[ Semi-conductors ]</b>					
D101	CHIP TYPE DIODE	DA2J10100	1	223303R2	NSP
D102	CHIP TYPE DIODE	DA2J10100	1	223303R2	NSP
D181	ZENER DIODE	DZ2J120M0L	1	224761200R2	NSP
D182	ZENER DIODE	DZ2J120M0L	1	224761200R2	NSP
D191	CHIP TYPE DIODE	DA2J10100	1	223303R2	NSP
D5601	ZENER DIODE	DZ2J120M0L	1	224761200R2	NSP
D5602	ZENER DIODE	DZ2J120M0L	1	224761200R2	NSP
D5603	CHIP TYPE DIODE	DA2J10100	1	223303R2	NSP
D5604	CHIP TYPE DIODE	DA2J10100	1	223303R2	NSP
D5701	ZENER DIODE	DZ2J120M0L	1	224761200R2	NSP
D5702	ZENER DIODE	DZ2J120M0L	1	224761200R2	NSP

D5703	CHIP TYPE DIODE	DA2J10100	1	223303R2	NSP
D5704	CHIP TYPE DIODE	DA2J10100	1	223303R2	NSP
D7001	CHIP TYPE DIODE	DA2J10100	1	223303R2	NSP
D7801	ZENER DIODE	DZ2J056M0L	1	224760560R2	NSP
D7802	ZENER DIODE	DZ2J056M0L	1	224760560R2	NSP
D7803	ZENER DIODE	DZ2J056M0L	1	224760560R2	NSP
D7804	ZENER DIODE	DZ2J056M0L	1	224760560R2	NSP
D7901	CHIP TYPE DIODE	DA2J10100	1	223303R2	NSP
Q101	TRANSISTOR	2SA1312-BL	1	2216836R2	NSP
Q102	TRANSISTOR	2SA1312-BL	1	2216836R2	NSP
Q103	TRANSISTOR	2SC3324-BL	1	2216826R2	NSP
Q104	TRANSISTOR	2SC3324-BL	1	2216826R2	NSP
Q105	TRANSISTOR	2SC3324-BL	1	2216826R2	NSP
Q106	TRANSISTOR	2SC3324-BL	1	2216826R2	NSP
Q107	TRANSISTOR	2SA1312-BL	1	2216836R2	NSP
Q108	TRANSISTOR	2SA1312-BL	1	2216836R2	NSP
Q109	TRANSISTOR	2SD2704K	1	2218130R2	NSP
Q110	TRANSISTOR	2SD2704K	1	2218130R2	NSP
Q111	HYBRID IC	NJM4580CG	1	22242922R2	NSP
Q181	TRANSISTOR	KTA1661-Y	1	2217864R2	NSP
Q182	TRANSISTOR	KTC4373-Y	1	2218120R2	NSP
Q183	TRANSISTOR	2SC2712-GR	1	2213145R2	NSP
Q184	TRANSISTOR	2SA1162-GR	1	2214375R2	NSP
Q191	TRANSISTOR	KRC105S	1	2217290R2	NSP
Q192	TRANSISTOR	KRA102S	1	2216220R2	NSP
Q5601	TRANSISTOR	2SC3324-BL	1	2216826R2	
Q5602	TRANSISTOR	2SA1312-BL	1	2216836R2	
Q5603	TRANSISTOR	2SC3324-BL	1	2216826R2	
Q5604	TRANSISTOR	2SA1312-BL	1	2216836R2	
Q5605	TRANSISTOR	2SC3324-BL	1	2216826R2	
Q5606	TRANSISTOR	2SA1312-BL	1	2216836R2	
Q5607	TRANSISTOR	2SC3324-BL	1	2216826R2	
Q5608	TRANSISTOR	2SA1312-BL	1	2216836R2	
Q5609	TRANSISTOR	2SA1200-Y(2LONK_ZE)	1	2217584R2	
Q5610	TRANSISTOR	2SC2880-Y(2LONK_ZE)	1	2217594R2	
Q5701	TRANSISTOR	2SC3324-BL	1	2216826R2	
Q5702	TRANSISTOR	2SA1312-BL	1	2216836R2	
Q5703	TRANSISTOR	2SC3324-BL	1	2216826R2	
Q5704	TRANSISTOR	2SA1312-BL	1	2216836R2	
Q5705	TRANSISTOR	2SC3324-BL	1	2216826R2	
Q5706	TRANSISTOR	2SA1312-BL	1	2216836R2	
Q5707	TRANSISTOR	2SC3324-BL	1	2216826R2	
Q5708	TRANSISTOR	2SA1312-BL	1	2216836R2	
Q5709	TRANSISTOR	2SA1200-Y(2LONK_ZE)	1	2217584R2	
Q5710	TRANSISTOR	2SC2880-Y(2LONK_ZE)	1	2217594R2	
Q7001	HYBRID IC	PST894A270UR	1	22243198R2	NSP
Q7002	TRANSISTOR	KRA102S	1	2216220R2	NSP
Q7003	TRANSISTOR	KRA102S	1	2216220R2	NSP
Q7004	TRANSISTOR	2SA1162-GR	1	2214375R2	NSP
Q7005	TRANSISTOR	2SA1162-GR	1	2214375R2	NSP
Q7006	HYBRID IC	R5F212A7SNFA	1	222W0099R3	NSP
Q7007	TRANSISTOR	KRC102S	1	2216190R2	NSP
Q7008	TRANSISTOR	KRA107S	1	2216350R2	NSP
Q7010	TRANSISTOR	KRA107S	1	2216350R2	NSP
Q7011	TRANSISTOR	KRC102S	1	2216190R2	NSP

Q7014	HYBRID IC	S-812C50AUA-C3E	1	22242240R2	NSP
Q7015	HYBRID IC	S-1333A33-M5T1U3	1	22242934R2	NSP
Q7016	HYBRID IC	R1EX24016ASAS0I	1	22242861R2	NSP
Q7501	PHOTO COUPLER	JSR2165	1	24120176	
Q7503	HYBRID IC	TC74HCU04AF	1	222740046R2TO	NSP
Q7511	PHOTO COUPLER	JSR2165	1	24120176	
Q7601	HYBRID IC	PCM9211PTR	1	22242703R2	NSP
Q7751	HYBRID IC	AK4452VN	1	22242966R2	NSP
Q7801	TRANSISTOR	2SA1312-GR(TE85L_F)	1	2216835R2	NSP
Q7802	TRANSISTOR	2SA1312-GR(TE85L_F)	1	2216835R2	NSP
Q7803	TRANSISTOR	2SC3324-GR(TE85L_F)	1	2216825R2	NSP
Q7804	TRANSISTOR	2SC3324-GR(TE85L_F)	1	2216825R2	NSP
Q7805	TRANSISTOR	2SC3324-GR(TE85L_F)	1	2216825R2	NSP
Q7806	TRANSISTOR	2SC3324-GR(TE85L_F)	1	2216825R2	NSP
Q7807	TRANSISTOR	2SA1312-GR(TE85L_F)	1	2216835R2	NSP
Q7808	TRANSISTOR	2SA1312-GR(TE85L_F)	1	2216835R2	NSP
Q7809	TRANSISTOR	2SA1312-GR(TE85L_F)	1	2216835R2	NSP
Q7810	TRANSISTOR	2SA1312-GR(TE85L_F)	1	2216835R2	NSP
Q7811	TRANSISTOR	2SC3324-GR(TE85L_F)	1	2216825R2	NSP
Q7812	TRANSISTOR	2SC3324-GR(TE85L_F)	1	2216825R2	NSP
Q7813	TRANSISTOR	2SA1312-GR(TE85L_F)	1	2216835R2	NSP
Q7814	TRANSISTOR	2SA1312-GR(TE85L_F)	1	2216835R2	NSP
Q7815	TRANSISTOR	2SC3324-GR(TE85L_F)	1	2216825R2	NSP
Q7816	TRANSISTOR	2SC3324-GR(TE85L_F)	1	2216825R2	NSP
Q7817	TRANSISTOR	2SC3324-GR(TE85L_F)	1	2216825R2	NSP
Q7818	TRANSISTOR	2SC3324-GR(TE85L_F)	1	2216825R2	NSP
Q7819	TRANSISTOR	2SA1312-GR(TE85L_F)	1	2216835R2	NSP
Q7820	TRANSISTOR	2SA1312-GR(TE85L_F)	1	2216835R2	NSP
Q7821	TRANSISTOR	2SA1312-GR(TE85L_F)	1	2216835R2	NSP
Q7822	TRANSISTOR	2SA1312-GR(TE85L_F)	1	2216835R2	NSP
Q7823	TRANSISTOR	2SC3324-GR(TE85L_F)	1	2216825R2	NSP
Q7824	TRANSISTOR	2SC3324-GR(TE85L_F)	1	2216825R2	NSP
Q7825	TRANSISTOR	2SC3324-GR(TE85L_F)	1	2216825R2	NSP
Q7826	TRANSISTOR	2SC3324-GR(TE85L_F)	1	2216825R2	NSP
Q7827	TRANSISTOR	2SC3325-Y(TE85L_F)	1	2217642R2	NSP
Q7828	TRANSISTOR	2SC3325-Y(TE85L_F)	1	2217642R2	NSP
Q7829	TRANSISTOR	2SA1313-Y(TE85L_F)	1	2217652R2	NSP
Q7830	TRANSISTOR	2SA1313-Y(TE85L_F)	1	2217652R2	NSP
Q7902	HYBRID IC	78M05HF(NJM78M05DL1A-TE	1	222780055R2JR	NSP
Q7903	HYBRID IC	S-1333A33-M5T1U3	1	22242934R2	NSP
X7001	CERAMIC RESONATOR	CSTLS16M0X51-A0	1	3010412T	NSP
X7601	CRYSTAL	HC-49S 9C24.5760M	1	3010516R2	NSP
<b>[ Transformers, Coils ]</b>					
L7501	EMI SUPPRESSION FILTER	BK1608LL241-T	1	230959R1	NSP
L7502	CHOKE COIL	LBC2518T470M	1	231364M470R2	NSP
L7503	CHOKE COIL	LBC2518T470M	1	231364M470R2	NSP
L7511	EMI SUPPRESSION FILTER	BK1608LL241-T	1	230959R1	NSP
L7601	CHOKE COIL	LBC2518T4R7M	1	231364M047R2	NSP
L7602	CORE	BLM18PG181SN1D	1	2350005R1	NSP
L7603	EMI SUPPRESSION FILTER	BK1608LL241-T	1	230959R1	NSP
L7604	EMI SUPPRESSION FILTER	BK1608LL241-T	1	230959R1	NSP
<b>[ Capacitors ]</b>					
C101	CHIP TYPE PLASTIC FILM CAPACITOR	ECHUX50V-102J	1	376621024R2	NSP
C103	CHIP TYPE PLASTIC FILM CAPACITOR	ECHUX50V-101J	1	376621014R2	NSP
C104	CHIP TYPE PLASTIC FILM CAPACITOR	ECHUX50V-101J	1	376621014R2	NSP



C107	UTSP TYPE ELECTROLYTIC CAPACITOR	CE04W50V-10M(UTSP)	1	397581007AT	
C108	UTSP TYPE ELECTROLYTIC CAPACITOR	CE04W50V-10M(UTSP)	1	397581007AT	
C109	UTSP TYPE ELECTROLYTIC CAPACITOR	CE04W25V-100M(UTSP)	1	397551017AT	
C110	UTSP TYPE ELECTROLYTIC CAPACITOR	CE04W25V-100M(UTSP)	1	397551017AT	
C111	UTSP TYPE ELECTROLYTIC CAPACITOR	CE04W25V-100M(UTSP)	1	397551017AT	
C112	UTSP TYPE ELECTROLYTIC CAPACITOR	CE04W25V-100M(UTSP)	1	397551017AT	
C113	UTSP TYPE ELECTROLYTIC CAPACITOR	CE04W50V-22M(UTSP)	1	397582207AT	
C114	UTSP TYPE ELECTROLYTIC CAPACITOR	CE04W50V-22M(UTSP)	1	397582207AT	
C115	UTSP TYPE ELECTROLYTIC CAPACITOR	CE04W50V-22M(UTSP)	1	397582207AT	
C116	UTSP TYPE ELECTROLYTIC CAPACITOR	CE04W50V-22M(UTSP)	1	397582207AT	
C117	UTSP TYPE ELECTROLYTIC CAPACITOR	CE04W50V-10M(UTSP)	1	397581007AT	
C118	UTSP TYPE ELECTROLYTIC CAPACITOR	CE04W50V-10M(UTSP)	1	397581007AT	
C119	UTSP TYPE ELECTROLYTIC CAPACITOR	CE04W50V-10M(UTSP)	1	397581007AT	
C120	UTSP TYPE ELECTROLYTIC CAPACITOR	CE04W50V-10M(UTSP)	1	397581007AT	
C121	UTSP TYPE ELECTROLYTIC CAPACITOR	CE04W25V-47M(UTSP)	1	397554707AT	
C122	UTSP TYPE ELECTROLYTIC CAPACITOR	CE04W25V-47M(UTSP)	1	397554707AT	
C123	CHIP TYPE PLASTIC FILM CAPACITOR	ECHUX50V-102J	1	376621024R2	NSP
C124	UTSP TYPE ELECTROLYTIC CAPACITOR	CE04W10V-220M(UTSP)	1	397532217AT	
C125	UTSP TYPE ELECTROLYTIC CAPACITOR	CE04W10V-220M(UTSP)	1	397532217AT	
C126	CHIP TYPE PLASTIC FILM CAPACITOR	ECHUX50V-102J	1	376621024R2	NSP
C127	UMXR TYPE PLASTIC FILM CAPACITOR	1JUMXRTF123JE	1	376591234T	NSP
C128	UMXR TYPE PLASTIC FILM CAPACITOR	1JUMXRTF123JE	1	376591234T	NSP
C129	UMXR TYPE PLASTIC FILM CAPACITOR	1JUMXRTF332JE	1	376593324T	NSP
C130	UMXR TYPE PLASTIC FILM CAPACITOR	1JUMXRTF332JE	1	376593324T	NSP
C131	UTSP TYPE ELECTROLYTIC CAPACITOR	CE04W50V-10M(UTSP)	1	397581007AT	
C132	UTSP TYPE ELECTROLYTIC CAPACITOR	CE04W50V-10M(UTSP)	1	397581007AT	
C133	UMXR TYPE PLASTIC FILM CAPACITOR	1JUMXRTF472JE	1	376594724T	NSP
C134	UMXR TYPE PLASTIC FILM CAPACITOR	1JUMXRTF472JE	1	376594724T	NSP
C137	UTSP TYPE ELECTROLYTIC CAPACITOR	CE04W25V-100M(UTSP)	1	397551017AT	
C138	UTSP TYPE ELECTROLYTIC CAPACITOR	CE04W25V-100M(UTSP)	1	397551017AT	
C141	CHIP TYPE PLASTIC FILM CAPACITOR	ECHUX50V-101J	1	376621014R2	NSP
C142	CHIP TYPE PLASTIC FILM CAPACITOR	ECHUX50V-101J	1	376621014R2	NSP
C145	CHIP TYPE PLASTIC FILM CAPACITOR	ECHUX16V-103J	1	376641034R2	NSP
C146	CHIP TYPE PLASTIC FILM CAPACITOR	ECHUX16V-103J	1	376641034R2	NSP
C147	CHIP TYPE PLASTIC FILM CAPACITOR	ECHUX50V-101J	1	376621014R2	NSP
C148	CHIP TYPE PLASTIC FILM CAPACITOR	ECHUX50V-101J	1	376621014R2	NSP
C183	UTSP TYPE ELECTROLYTIC CAPACITOR	CE04W25V-100M(UTSP)	1	397551017AT	
C184	UTSP TYPE ELECTROLYTIC CAPACITOR	CE04W25V-100M(UTSP)	1	397551017AT	
C185	UTSP TYPE ELECTROLYTIC CAPACITOR	CE04W25V-47M(UTSP)	1	397554707AT	
C186	UTSP TYPE ELECTROLYTIC CAPACITOR	CE04W25V-47M(UTSP)	1	397554707AT	
C191	CHIP TYPE CERAMIC CAPACITOR	CK725B1H-104K1	1	332101045R1	NSP
C5601	UTSP TYPE ELECTROLYTIC CAPACITOR	CE04W50V-10M(UTSP)	1	397581007AT	
C5602	UTSP TYPE ELECTROLYTIC CAPACITOR	CE04W50V-10M(UTSP)	1	397581007AT	
C5603	VR TYPE ELECTROLYTIC CAPACITOR	CE04W100V-22M(VR)	1	394692207T	
C5606	VR TYPE ELECTROLYTIC CAPACITOR	CE04W100V-22M(VR)	1	394692207T	
C5607	UPZ TYPE PLASTIC FILM CAPACITOR	2AUPZTF101JE	1	376331014T	NSP
C5608	UPZ TYPE PLASTIC FILM CAPACITOR	2AUPZTF471JE	1	376334714T	NSP
C5609	UTSP TYPE ELECTROLYTIC CAPACITOR	CE04W50V 47M(UTSP)	1	397584707AT	
C5701	UTSP TYPE ELECTROLYTIC CAPACITOR	CE04W50V-10M(UTSP)	1	397581007AT	
C5702	UTSP TYPE ELECTROLYTIC CAPACITOR	CE04W50V-10M(UTSP)	1	397581007AT	
C5703	VR TYPE ELECTROLYTIC CAPACITOR	CE04W100V-22M(VR)	1	394692207T	
C5706	VR TYPE ELECTROLYTIC CAPACITOR	CE04W100V-22M(VR)	1	394692207T	
C5707	UPZ TYPE PLASTIC FILM CAPACITOR	2AUPZTF101JE	1	376331014T	NSP
C5708	UPZ TYPE PLASTIC FILM CAPACITOR	2AUPZTF471JE	1	376334714T	NSP
C5709	UTSP TYPE ELECTROLYTIC CAPACITOR	CE04W50V 47M(UTSP)	1	397584707AT	

C7001	CHIP TYPE CERAMIC CAPACITOR	CK725B25V-105K1	1	332111055R1	NSP
C7002	CHIP TYPE CERAMIC CAPACITOR	CC725CH1H-102J1	1	342101024R1	NSP
C7003	CHIP TYPE CERAMIC CAPACITOR	CK725B1H-224K1	1	332102245R1	NSP
C7005	CHIP TYPE CERAMIC CAPACITOR	CK725B1C-104K1	1	332121045R1	NSP
C7006	CHIP TYPE CERAMIC CAPACITOR	CK725B1C-104K1	1	332121045R1	NSP
C7010	CHIP TYPE CERAMIC CAPACITOR	CK725B1C-104K1	1	332121045R1	NSP
C7011	CHIP TYPE CERAMIC CAPACITOR	CK725B1C-104K1	1	332121045R1	NSP
C7016	CHIP TYPE CERAMIC CAPACITOR	CK725B1C-104K1	1	332121045R1	NSP
C7017	CHIP TYPE CERAMIC CAPACITOR	CK725B1C-104K1	1	332121045R1	NSP
C7018	CHIP TYPE CERAMIC CAPACITOR	CK725B1C-104K1	1	332121045R1	NSP
C7021	CHIP TYPE CERAMIC CAPACITOR	CC725CH1H-102J1	1	342101024R1	NSP
C7024	CHIP TYPE CERAMIC CAPACITOR	CK725B1H-104K1	1	332101045R1	NSP
C7025	CHIP TYPE CERAMIC CAPACITOR	CC725CH1H-102J1	1	342101024R1	NSP
C7026	CHIP TYPE CERAMIC CAPACITOR	CC725CH1H-102J1	1	342101024R1	NSP
C7027	CHIP TYPE CERAMIC CAPACITOR	CK725B1C-104K1	1	332121045R1	NSP
C7028	UTSP TYPE ELECTROLYTIC CAPACITOR	CE04W25V-47M(UTSP)	1	397554707AT	
C7029	CHIP TYPE CERAMIC CAPACITOR	CK725B1C-104K1	1	332121045R1	NSP
C7030	UTSP TYPE ELECTROLYTIC CAPACITOR	CE04W25V-47M(UTSP)	1	397554707AT	
C7036	CHIP TYPE CERAMIC CAPACITOR	CC725CH1H-101J1	1	342101014R1	NSP
C7037	CHIP TYPE CERAMIC CAPACITOR	CC725CH1H-101J1	1	342101014R1	NSP
C7039	CHIP TYPE CERAMIC CAPACITOR	CC725CH1H-102J1	1	342101024R1	NSP
C7040	CHIP TYPE CERAMIC CAPACITOR	CC725CH1H-102J1	1	342101024R1	NSP
C7041	CHIP TYPE CERAMIC CAPACITOR	CK725B1C-104K1	1	332121045R1	NSP
C7042	UTSP TYPE ELECTROLYTIC CAPACITOR	CE04W10V-100M(UTSP)	1	397531017AT	
C7075	CHIP TYPE CERAMIC CAPACITOR	CC725CH1H-102J1	1	342101024R1	NSP
C7501	UTSP TYPE ELECTROLYTIC CAPACITOR	CE04W50V-22M(UTSP)	1	397582207AT	
C7502	CHIP TYPE CERAMIC CAPACITOR	CK725B1C-104K1	1	332121045R1	NSP
C7503	CHIP TYPE CERAMIC CAPACITOR	CC725CH1H-080D1	1	342100802R1	NSP
C7504	UTSP TYPE ELECTROLYTIC CAPACITOR	CE04W10V-100M(UTSP)	1	397531017AT	
C7505	UTSP TYPE ELECTROLYTIC CAPACITOR	CE04W10V-100M(UTSP)	1	397531017AT	
C7506	CHIP TYPE CERAMIC CAPACITOR	CK725B1H-104K1	1	332101045R1	NSP
C7507	CHIP TYPE CERAMIC CAPACITOR	CK725B1H-104K1	1	332101045R1	NSP
C7511	UTSP TYPE ELECTROLYTIC CAPACITOR	CE04W50V-22M(UTSP)	1	397582207AT	
C7512	CHIP TYPE CERAMIC CAPACITOR	CK725B1C-104K1	1	332121045R1	NSP
C7513	CHIP TYPE CERAMIC CAPACITOR	CC725CH1H-080D1	1	342100802R1	NSP
C7516	CHIP TYPE CERAMIC CAPACITOR	CK725B1H-104K1	1	332101045R1	NSP
C7517	UMXR TYPE PLASTIC FILM CAPACITOR	1JUMXR1F102JE	1	376591024T	NSP
C7518	UMXR TYPE PLASTIC FILM CAPACITOR	1JUMXR1F103JE	1	376591034T	NSP
C7601	UTSP TYPE ELECTROLYTIC CAPACITOR	CE04W10V-100M(UTSP)	1	397531017AT	
C7602	CHIP TYPE CERAMIC CAPACITOR	CK725B1H-104K1	1	332101045R1	NSP
C7603	CHIP TYPE CERAMIC CAPACITOR	CC725CH1H-221J1	1	342102214R1	NSP
C7604	CHIP TYPE CERAMIC CAPACITOR	CK725B1H-104K1	1	332101045R1	NSP
C7606	UTSP TYPE ELECTROLYTIC CAPACITOR	CE04W10V-220M(UTSP)	1	397532217AT	
C7607	CHIP TYPE CERAMIC CAPACITOR	CK725B1H-104K1	1	332101045R1	NSP
C7608	CHIP TYPE CERAMIC CAPACITOR	CC725CH1H-220J1	1	342102204R1	NSP
C7609	CHIP TYPE CERAMIC CAPACITOR	CC725CH1H-180J1	1	342101804R1	NSP
C7610	CHIP TYPE CERAMIC CAPACITOR	CK725B1H-472K1	1	332104725R1	NSP
C7611	CHIP TYPE CERAMIC CAPACITOR	CK725B1H-473K1	1	332104735R1	NSP
C7612	CHIP TYPE CERAMIC CAPACITOR	CK725B1H-223K1	1	332102235R1	NSP
C7752	CHIP TYPE CERAMIC CAPACITOR	CK725B25V-105K1	1	332111055R1	NSP
C7756	CHIP TYPE CERAMIC CAPACITOR	CC725CH1H-102J1	1	342101024R1	NSP
C7759	CHIP TYPE CERAMIC CAPACITOR	CK725B1H-104K1	1	332101045R1	NSP
C7773	CHIP TYPE PLASTIC FILM CAPACITOR	ECHUX16V-104J	1	376641044R2	NSP
C7774	CHIP TYPE PLASTIC FILM CAPACITOR	ECHUX16V-104J	1	376641044R2	NSP
C7776	UTSP TYPE ELECTROLYTIC CAPACITOR	CE04W25V-220M(UTSP)	1	397552217T	



C7777	UTSP TYPE ELECTROLYTIC CAPACITOR	CE04W10V-470M(UTSP)	1	397534717T	
C7778	UTSP TYPE ELECTROLYTIC CAPACITOR	CE04W10V-220M(UTSP)	1	397532217AT	
C7801	CHIP TYPE PLASTIC FILM CAPACITOR	ECHUX50V-122J	1	376621224R2	NSP
C7802	CHIP TYPE PLASTIC FILM CAPACITOR	ECHUX50V-122J	1	376621224R2	NSP
C7803	CHIP TYPE PLASTIC FILM CAPACITOR	ECHUX50V-681J	1	376626814R2	NSP
C7804	CHIP TYPE PLASTIC FILM CAPACITOR	ECHUX50V-681J	1	376626814R2	NSP
C7805	CHIP TYPE PLASTIC FILM CAPACITOR	ECHUX50V-332J	1	376623324R2	NSP
C7806	CHIP TYPE PLASTIC FILM CAPACITOR	ECHUX50V-332J	1	376623324R2	NSP
C7807	UTSP TYPE ELECTROLYTIC CAPACITOR	CE04W50V-22M(UTSP)	1	397582207AT	
C7808	UTSP TYPE ELECTROLYTIC CAPACITOR	CE04W50V-22M(UTSP)	1	397582207AT	
C7809	UTSP TYPE ELECTROLYTIC CAPACITOR	CE04W50V-22M(UTSP)	1	397582207AT	
C7810	UTSP TYPE ELECTROLYTIC CAPACITOR	CE04W50V-22M(UTSP)	1	397582207AT	
C7811	UTSP TYPE ELECTROLYTIC CAPACITOR	CE04W50V-22M(UTSP)	1	397582207AT	
C7812	UTSP TYPE ELECTROLYTIC CAPACITOR	CE04W50V-22M(UTSP)	1	397582207AT	
C7813	UTSP TYPE ELECTROLYTIC CAPACITOR	CE04W50V 47M(UTSP)	1	397584707AT	
C7814	UTSP TYPE ELECTROLYTIC CAPACITOR	CE04W50V 47M(UTSP)	1	397584707AT	
C7815	CHIP TYPE PLASTIC FILM CAPACITOR	ECHUX50V-681J	1	376626814R2	NSP
C7816	CHIP TYPE PLASTIC FILM CAPACITOR	ECHUX50V-681J	1	376626814R2	NSP
C7817	CHIP TYPE PLASTIC FILM CAPACITOR	ECHUX50V-681J	1	376626814R2	NSP
C7818	CHIP TYPE PLASTIC FILM CAPACITOR	ECHUX50V-681J	1	376626814R2	NSP
C7902	FILM C	C281H474J20A21A	1	376824744T	NSP
C7903	CHIP TYPE CERAMIC CAPACITOR	CK725B1H-104K1	1	332101045R1	NSP
C7905	UTSP TYPE ELECTROLYTIC CAPACITOR	CE04W25V-220M(UTSP)	1	397552217T	
C7906	UTSP TYPE ELECTROLYTIC CAPACITOR	CE04W25V-220M(UTSP)	1	397552217T	
C7907	ELECTROLYTIC CAPACITOR	CE04W50V-18M(LXY)	1	3500246ST	
C7908	UTSP TYPE ELECTROLYTIC CAPACITOR	CE04W50V-10M(UTSP)	1	397581007AT	
C7909	CHIP TYPE CERAMIC CAPACITOR	CK725B1H-104K1	1	332101045R1	NSP
C7910	UTSP TYPE ELECTROLYTIC CAPACITOR	CE04W16V-470M(UTSP)	1	397544717T	
<b>[ Resistors ]</b>					
R101	CHIP TYPE CARBON RESISTOR	RN72K1J-100JE	1	435031004R1	NSP
R102	CHIP TYPE CARBON RESISTOR	RN72K1J-100JE	1	435031004R1	NSP
R103	CHIP TYPE CARBON RESISTOR	RN72K1J-101JE	1	435031014R1	NSP
R104	CHIP TYPE CARBON RESISTOR	RN72K1J-101JE	1	435031014R1	NSP
R105	CHIP TYPE CARBON RESISTOR	RN72K1J-103JE	1	435031034R1	NSP
R106	CHIP TYPE CARBON RESISTOR	RN72K1J-103JE	1	435031034R1	NSP
R107	CHIP TYPE CARBON RESISTOR	RN72K1J-000JE	1	435030004R1	NSP
R108	CHIP TYPE CARBON RESISTOR	RN72K1J-000JE	1	435030004R1	NSP
R109	CHIP TYPE CARBON RESISTOR	RN72K1J-562JE	1	435035624R1	NSP
R110	CHIP TYPE CARBON RESISTOR	RN72K1J-562JE	1	435035624R1	NSP
R111	CHIP TYPE CARBON RESISTOR	RN72K1J-221JE	1	435032214R1	NSP
R112	CHIP TYPE CARBON RESISTOR	RN72K1J-221JE	1	435032214R1	NSP
R113	CHIP TYPE CARBON RESISTOR	RN72K1J-221JE	1	435032214R1	NSP
R114	CHIP TYPE CARBON RESISTOR	RN72K1J-221JE	1	435032214R1	NSP
R115	CHIP TYPE CARBON RESISTOR	RN72K1J-562JE	1	435035624R1	NSP
R116	CHIP TYPE CARBON RESISTOR	RN72K1J-562JE	1	435035624R1	NSP
R117	CHIP TYPE CARBON RESISTOR	RN72K1J-153JE	1	435031534R1	NSP
R118	CHIP TYPE CARBON RESISTOR	RN72K1J-153JE	1	435031534R1	NSP
R119	CHIP TYPE CARBON RESISTOR	RN72K1J-472JE	1	435034724R1	NSP
R120	CHIP TYPE CARBON RESISTOR	RN72K1J-472JE	1	435034724R1	NSP
R121	CHIP TYPE CARBON RESISTOR	RN72K1J-102JE	1	435031024R1	NSP
R122	CHIP TYPE CARBON RESISTOR	RN72K1J-102JE	1	435031024R1	NSP
R123	CHIP TYPE CARBON RESISTOR	RN72K1J-153JE	1	435031534R1	NSP
R124	CHIP TYPE CARBON RESISTOR	RN72K1J-153JE	1	435031534R1	NSP
R127	CHIP TYPE CARBON RESISTOR	RN72K1J-392JE	1	435033924R1	NSP
R128	CHIP TYPE CARBON RESISTOR	RN72K1J-392JE	1	435033924R1	NSP

R129	CHIP TYPE CARBON RESISTOR	RN72K1J-331JE	1	435033314R1	NSP
R130	CHIP TYPE CARBON RESISTOR	RN72K1J-331JE	1	435033314R1	NSP
R133	CHIP TYPE CARBON RESISTOR	RN72K1J-224JE	1	435032244R1	NSP
R134	CHIP TYPE CARBON RESISTOR	RN72K1J-224JE	1	435032244R1	NSP
R135	CHIP TYPE CARBON RESISTOR	RN72K1J-561JE	1	435035614R1	NSP
R136	CHIP TYPE CARBON RESISTOR	RN72K1J-561JE	1	435035614R1	NSP
R137	CHIP TYPE CARBON RESISTOR	RN72K1J-274JE	1	435032744R1	NSP
R138	CHIP TYPE CARBON RESISTOR	RN72K1J-274JE	1	435032744R1	NSP
R139	CHIP TYPE CARBON RESISTOR	RN72K1J-223JE	1	435032234R1	NSP
R140	CHIP TYPE CARBON RESISTOR	RN72K1J-223JE	1	435032234R1	NSP
R143	CHIP TYPE CARBON RESISTOR	RN72K1J-331JE	1	435033314R1	NSP
R144	CHIP TYPE CARBON RESISTOR	RN72K1J-331JE	1	435033314R1	NSP
R145	CHIP TYPE CARBON RESISTOR	RN72K1J-224JE	1	435032244R1	NSP
R146	CHIP TYPE CARBON RESISTOR	RN72K1J-224JE	1	435032244R1	NSP
R147	CHIP TYPE CARBON RESISTOR	RN72K1J-102JE	1	435031024R1	NSP
R148	CHIP TYPE CARBON RESISTOR	RN72K1J-102JE	1	435031024R1	NSP
R149	CHIP TYPE CARBON RESISTOR	RN72K1J-563JE	1	435035634R1	NSP
R150	CHIP TYPE CARBON RESISTOR	RN72K1J-563JE	1	435035634R1	NSP
R151	CHIP TYPE CARBON RESISTOR	RN72K1J-100JE	1	435031004R1	NSP
R152	CHIP TYPE CARBON RESISTOR	RN72K1J-100JE	1	435031004R1	NSP
R153	CHIP TYPE CARBON RESISTOR	RN72K1J-474JE	1	435034744R1	NSP
R154	CHIP TYPE CARBON RESISTOR	RN72K1J-474JE	1	435034744R1	NSP
R155	CHIP TYPE CARBON RESISTOR	RN72K1J-000JE	1	435030004R1	NSP
R156	CHIP TYPE CARBON RESISTOR	RN72K1J-000JE	1	435030004R1	NSP
R160	CHIP TYPE CARBON RESISTOR	RN72K2E-100JE	1	435221004R1	NSP
R181	CHIP TYPE CARBON RESISTOR	RN72K1J-331JE	1	435033314R1	NSP
R182	CHIP TYPE CARBON RESISTOR	RN72K1J-331JE	1	435033314R1	NSP
R183	CHIP TYPE CARBON RESISTOR	RN72K1J-332JE	1	435033324R1	NSP
R184	CHIP TYPE CARBON RESISTOR	RN72K1J-332JE	1	435033324R1	NSP
R190	CHIP TYPE CARBON RESISTOR	RN72K1J-471JE	1	435034714R1	NSP
R191	CHIP TYPE CARBON RESISTOR	RN72K2E-101JE	1	435221014R1	NSP
R192	CHIP TYPE CARBON RESISTOR	RN72K2E-101JE	1	435221014R1	NSP
R193	CHIP TYPE CARBON RESISTOR	RN72K2E-101JE	1	435221014R1	NSP
R194	CHIP TYPE CARBON RESISTOR	RN72K2E-101JE	1	435221014R1	NSP
R195	CHIP TYPE CARBON RESISTOR	RN72K1J-471JE	1	435034714R1	NSP
R196	CHIP TYPE CARBON RESISTOR	RN72K2E-101JE	1	435221014R1	NSP
R197	CHIP TYPE CARBON RESISTOR	RN72K2E-101JE	1	435221014R1	NSP
R5601	C-METAL R	RN72K2B-223JE2	1	435112234R1	NSP
R5602	C-METAL R	RN72K2B-331JE2	1	435113314R1	NSP
R5603	CHIP TYPE CARBON RESISTOR	RN72K1J-104JE	1	435031044R1	NSP
R5604	CHIP TYPE CARBON RESISTOR	RN72K1J-104JE	1	435031044R1	NSP
R5605	METAL OXIDE FILM RESISTOR	RS1WBJ-3.3K	1	443623324T	NSP
R5606	CHIP TYPE CARBON RESISTOR	RN72K1J-123JE	1	435031234R1	NSP
R5607	TRIMMER RESISTOR	N06HR1KBB	1	5211434T	NSP
R5608	CHIP TYPE CARBON RESISTOR	RN72K1J-682JE	1	435036824R1	NSP
R5609	CHIP TYPE CARBON RESISTOR	RN72K1J-682JE	1	435036824R1	NSP
R5610	CHIP TYPE CARBON RESISTOR	RN72K1J-153JE	1	435031534R1	NSP
R5611	CHIP TYPE CARBON RESISTOR	RN72K1J-682JE	1	435036824R1	NSP
R5612	CHIP TYPE CARBON RESISTOR	RN72K1J-392JE	1	435033924R1	NSP
R5613	CHIP TYPE CARBON RESISTOR	RN72K1J-123JE	1	435031234R1	NSP
R5614	METAL OXIDE FILM RESISTOR	RS1WBJ-3.3K	1	443623324T	NSP
R5615	CHIP TYPE CARBON RESISTOR	RN72K1J-152JE	1	435031524R1	NSP
R5616	C-METAL R	RN72K2B-331JE2	1	435113314R1	NSP
R5617	C-METAL R	RN72K2B-331JE2	1	435113314R1	NSP
R5618	CHIP TYPE CARBON RESISTOR	RN72K1J-152JE	1	435031524R1	NSP

R5621	C-METAL R	RN72K2B-182JE2	1	435111824R1	NSP
R5622	CHIP TYPE CARBON RESISTOR	RN72K1J-000JE	1	435030004R1	NSP
R5623	NON-FLAMMABLE CARBON FILM RESISTO	R25J-56K	1	415475634T	
R5624	CHIP TYPE CARBON RESISTOR	RN72K1J-102JE	1	435031024R1	NSP
R5625	CHIP TYPE CARBON RESISTOR	RN72K1J-102JE	1	435031024R1	NSP
R5626	NON-FLAMMABLE CARBON FILM RESISTO	R25J-100	1	415471014T	
R5627	C-METAL R	RN72K2B-123JE2	1	435111234R1	NSP
R5628	C-METAL R	RN72K2B-123JE2	1	435111234R1	NSP
R5629	NON-FLAMMABLE CARBON FILM RESISTO	R25J-100	1	415471014T	
R5630	C-METAL R	RN72K2B-222JE2	1	435112224R1	NSP
R5701	C-METAL R	RN72K2B-223JE2	1	435112234R1	NSP
R5702	C-METAL R	RN72K2B-331JE2	1	435113314R1	NSP
R5703	CHIP TYPE CARBON RESISTOR	RN72K1J-104JE	1	435031044R1	NSP
R5704	CHIP TYPE CARBON RESISTOR	RN72K1J-104JE	1	435031044R1	NSP
R5705	METAL OXIDE FILM RESISTOR	RS1WBJ-3.3K	1	443623324T	NSP
R5706	CHIP TYPE CARBON RESISTOR	RN72K1J-123JE	1	435031234R1	NSP
R5707	TRIMMER RESISTOR	N06HR1KBB	1	5211434T	NSP
R5708	CHIP TYPE CARBON RESISTOR	RN72K1J-682JE	1	435036824R1	NSP
R5709	CHIP TYPE CARBON RESISTOR	RN72K1J-682JE	1	435036824R1	NSP
R5710	CHIP TYPE CARBON RESISTOR	RN72K1J-153JE	1	435031534R1	NSP
R5711	CHIP TYPE CARBON RESISTOR	RN72K1J-682JE	1	435036824R1	NSP
R5712	CHIP TYPE CARBON RESISTOR	RN72K1J-392JE	1	435033924R1	NSP
R5713	CHIP TYPE CARBON RESISTOR	RN72K1J-123JE	1	435031234R1	NSP
R5714	METAL OXIDE FILM RESISTOR	RS1WBJ-3.3K	1	443623324T	NSP
R5715	CHIP TYPE CARBON RESISTOR	RN72K1J-152JE	1	435031524R1	NSP
R5716	C-METAL R	RN72K2B-331JE2	1	435113314R1	NSP
R5717	C-METAL R	RN72K2B-331JE2	1	435113314R1	NSP
R5718	CHIP TYPE CARBON RESISTOR	RN72K1J-152JE	1	435031524R1	NSP
R5721	C-METAL R	RN72K2B-182JE2	1	435111824R1	NSP
R5722	CHIP TYPE CARBON RESISTOR	RN72K1J-000JE	1	435030004R1	NSP
R5723	NON-FLAMMABLE CARBON FILM RESISTO	R25J-56K	1	415475634T	
R5724	CHIP TYPE CARBON RESISTOR	RN72K1J-102JE	1	435031024R1	NSP
R5725	CHIP TYPE CARBON RESISTOR	RN72K1J-102JE	1	435031024R1	NSP
R5726	NON-FLAMMABLE CARBON FILM RESISTO	R25J-100	1	415471014T	
R5727	C-METAL R	RN72K2B-123JE2	1	435111234R1	NSP
R5728	C-METAL R	RN72K2B-123JE2	1	435111234R1	NSP
R5729	NON-FLAMMABLE CARBON FILM RESISTO	R25J-100	1	415471014T	
R5730	C-METAL R	RN72K2B-222JE2	1	435112224R1	NSP
R7002	CHIP TYPE CARBON RESISTOR	RN72K1J-102JE	1	435031024R1	NSP
R7003	CHIP TYPE CARBON RESISTOR	RN72K1J-272JE	1	435032724R1	NSP
R7004	CHIP TYPE CARBON RESISTOR	RN72K1J-471JE	1	435034714R1	NSP
R7006	CHIP TYPE CARBON RESISTOR	RN72K1J-224JE	1	435032244R1	NSP
R7007	C-METAL R	RN72K2B-010JE2	1	435110104R1	NSP
R7008	CHIP TYPE CARBON RESISTOR	RN72K1J-470JE	1	435034704R1	NSP
R7009	CHIP TYPE CARBON RESISTOR	RN72K1J-470JE	1	435034704R1	NSP
R7010	CHIP TYPE CARBON RESISTOR	RN72K1J-472JE	1	435034724R1	NSP
R7011	CHIP TYPE CARBON RESISTOR	RN72K1J-470JE	1	435034704R1	NSP
R7012	CHIP TYPE CARBON RESISTOR	RN72K1J-470JE	1	435034704R1	NSP
R7013	CHIP TYPE CARBON RESISTOR	RN72K1J-472JE	1	435034724R1	NSP
R7015	CHIP TYPE CARBON RESISTOR	RN72K1J-470JE	1	435034704R1	NSP
R7016	CHIP TYPE CARBON RESISTOR	RN72K1J-470JE	1	435034704R1	NSP
R7017	CHIP TYPE CARBON RESISTOR	RN72K1J-102JE	1	435031024R1	NSP
R7018	CHIP TYPE CARBON RESISTOR	RN72K1J-473JE	1	435034734R1	NSP
R7020	CHIP TYPE CARBON RESISTOR	RN72K1J-152JE	1	435031524R1	NSP
R7021	CHIP TYPE CARBON RESISTOR	RN72K1J-104JE	1	435031044R1	NSP

R7022	CHIP TYPE CARBON RESISTOR	RN72K1J-473JE	1	435034734R1	NSP
R7024	CHIP TYPE CARBON RESISTOR	RN72K1J-102JE	1	435031024R1	NSP
R7025	CHIP TYPE CARBON RESISTOR	RN72K1J-102JE	1	435031024R1	NSP
R7026	CHIP TYPE CARBON RESISTOR	RN72K1J-470JE	1	435034704R1	NSP
R7027	CHIP TYPE CARBON RESISTOR	RN72K1J-563JE	1	435035634R1	NSP
R7028	CHIP TYPE CARBON RESISTOR	RN72K1J-152JE	1	435031524R1	NSP
R7029	CHIP TYPE CARBON RESISTOR	RN72K1J-473JE	1	435034734R1	NSP
R7031	CHIP TYPE CARBON RESISTOR	RN72K1J-102JE	1	435031024R1	NSP
R7033	CHIP TYPE CARBON RESISTOR	RN72K1J-102JE	1	435031024R1	NSP
R7034	CHIP TYPE CARBON RESISTOR	RN72K1J-102JE	1	435031024R1	NSP
R7035	CHIP TYPE CARBON RESISTOR	RN72K1J-470JE	1	435034704R1	NSP
R7036	CHIP TYPE CARBON RESISTOR	RN72K1J-470JE	1	435034704R1	NSP
R7037	CHIP TYPE CARBON RESISTOR	RN72K1J-470JE	1	435034704R1	NSP
R7039	CHIP TYPE CARBON RESISTOR	RN72K1J-101JE	1	435031014R1	NSP
R7040	CHIP TYPE CARBON RESISTOR	RN72K1J-470JE	1	435034704R1	NSP
R7041	CHIP TYPE CARBON RESISTOR	RN72K1J-470JE	1	435034704R1	NSP
R7042	CHIP TYPE CARBON RESISTOR	RN72K1J-470JE	1	435034704R1	NSP
R7043	CHIP TYPE CARBON RESISTOR	RN72K1J-102JE	1	435031024R1	NSP
R7046	CHIP TYPE CARBON RESISTOR	RN72K1J-470JE	1	435034704R1	NSP
R7047	CHIP TYPE CARBON RESISTOR	RN72K1J-470JE	1	435034704R1	NSP
R7048	CHIP TYPE CARBON RESISTOR	RN72K1J-470JE	1	435034704R1	NSP
R7049	CHIP TYPE CARBON RESISTOR	RN72K1J-272JE	1	435032724R1	NSP
R7050	CHIP TYPE CARBON RESISTOR	RN72K1J-470JE	1	435034704R1	NSP
R7051	CHIP TYPE CARBON RESISTOR	RN72K1J-470JE	1	435034704R1	NSP
R7052	CHIP TYPE CARBON RESISTOR	RN72K1J-470JE	1	435034704R1	NSP
R7053	CHIP TYPE CARBON RESISTOR	RN72K1J-470JE	1	435034704R1	NSP
R7054	CHIP TYPE CARBON RESISTOR	RN72K1J-470JE	1	435034704R1	NSP
R7055	CHIP TYPE CARBON RESISTOR	RN72K1J-470JE	1	435034704R1	NSP
R7056	CHIP TYPE CARBON RESISTOR	RN72K1J-470JE	1	435034704R1	NSP
R7059	CHIP TYPE CARBON RESISTOR	RN72K1J-470JE	1	435034704R1	NSP
R7060	CHIP TYPE CARBON RESISTOR	RN72K1J-472JE	1	435034724R1	NSP
R7061	CHIP TYPE CARBON RESISTOR	RN72K1J-470JE	1	435034704R1	NSP
R7062	CHIP TYPE CARBON RESISTOR	RN72K1J-103JE	1	435031034R1	NSP
R7063	CHIP TYPE CARBON RESISTOR	RN72K1J-103JE	1	435031034R1	NSP
R7064	C-METAL R	RN72K2B-101JE2	1	435111014R1	NSP
R7065	CHIP TYPE CARBON RESISTOR	RN72K1J-473JE	1	435034734R1	NSP
R7066	CHIP TYPE CARBON RESISTOR	RN72K1J-474JE	1	435034744R1	NSP
R7067	CHIP TYPE CARBON RESISTOR	RN72K1J-473JE	1	435034734R1	NSP
R7068	CHIP TYPE CARBON RESISTOR	RN72K1J-473JE	1	435034734R1	NSP
R7069	CHIP TYPE CARBON RESISTOR	RN72K1J-473JE	1	435034734R1	NSP
R7070	CHIP TYPE CARBON RESISTOR	RN72K1J-473JE	1	435034734R1	NSP
R7071	C-METAL R	RN72K2B-101JE2	1	435111014R1	NSP
R7074	CHIP TYPE CARBON RESISTOR	RN72K1J-563JE	1	435035634R1	NSP
R7075	CHIP TYPE CARBON RESISTOR	RN72K1J-101JE	1	435031014R1	NSP
R7076	CHIP TYPE CARBON RESISTOR	RN72K1J-101JE	1	435031014R1	NSP
R7077	CHIP TYPE CARBON RESISTOR	RN72K1J-272JE	1	435032724R1	NSP
R7078	CHIP TYPE CARBON RESISTOR	RN72K1J-272JE	1	435032724R1	NSP
R7079	CHIP TYPE CARBON RESISTOR	RN72K1J-470JE	1	435034704R1	NSP
R7080	CHIP TYPE CARBON RESISTOR	RN72K1J-470JE	1	435034704R1	NSP
R7081	CHIP TYPE CARBON RESISTOR	RN72K1J-471JE	1	435034714R1	NSP
R7082	CHIP TYPE CARBON RESISTOR	RN72K1J-470JE	1	435034704R1	NSP
R7083	CHIP TYPE CARBON RESISTOR	RN72K1J-331JE	1	435033314R1	NSP
R7084	CHIP TYPE CARBON RESISTOR	RN72K1J-331JE	1	435033314R1	NSP
R7085	CHIP TYPE CARBON RESISTOR	RN72K1J-331JE	1	435033314R1	NSP
R7086	CHIP TYPE CARBON RESISTOR	RN72K1J-101JE	1	435031014R1	NSP

R7087	CHIP TYPE CARBON RESISTOR	RN72K1J-470JE	1	435034704R1	NSP
R7088	CHIP TYPE CARBON RESISTOR	RN72K1J-470JE	1	435034704R1	NSP
R7089	CHIP TYPE CARBON RESISTOR	RN72K1J-470JE	1	435034704R1	NSP
R7090	CHIP TYPE CARBON RESISTOR	RN72K1J-470JE	1	435034704R1	NSP
R7094	CHIP TYPE CARBON RESISTOR	RN72K1J-473JE	1	435034734R1	NSP
R7095	CHIP TYPE CARBON RESISTOR	RN72K1J-222JE	1	435032224R1	NSP
R7096	CHIP TYPE CARBON RESISTOR	RN72K1J-222JE	1	435032224R1	NSP
R7097	CHIP TYPE CARBON RESISTOR	RN72K1J-105JE	1	435031054R1	NSP
R7501	CHIP TYPE CARBON RESISTOR	RN72K1J-750JE	1	435037504R1	NSP
R7503	CHIP TYPE CARBON RESISTOR	RN72K1J-680JE	1	435036804R1	NSP
R7505	CHIP TYPE CARBON RESISTOR	RN72K1J-823JE	1	435038234R1	NSP
R7506	CHIP TYPE CARBON RESISTOR	RN72K1J-103JE	1	435031034R1	NSP
R7507	CHIP TYPE CARBON RESISTOR	RN72K1J-101JE	1	435031014R1	NSP
R7508	CHIP TYPE CARBON RESISTOR	RN72K1J-560JE	1	435035604R1	NSP
R7509	CHIP TYPE CARBON RESISTOR	RN72K1J-560JE	1	435035604R1	NSP
R7511	CHIP TYPE CARBON RESISTOR	RN72K1J-750JE	1	435037504R1	NSP
R7513	CHIP TYPE CARBON RESISTOR	RN72K1J-680JE	1	435036804R1	NSP
R7515	CHIP TYPE CARBON RESISTOR	RN72K1J-823JE	1	435038234R1	NSP
R7516	CHIP TYPE CARBON RESISTOR	RN72K1J-103JE	1	435031034R1	NSP
R7517	CHIP TYPE CARBON RESISTOR	RN72K1J-101JE	1	435031014R1	NSP
R7601	CHIP TYPE CARBON RESISTOR	RN72K1J-470JE	1	435034704R1	NSP
R7602	CHIP TYPE CARBON RESISTOR	RN72K1J-470JE	1	435034704R1	NSP
R7613	CHIP TYPE CARBON RESISTOR	RN72K1J-103JE	1	435031034R1	NSP
R7614	CHIP TYPE CARBON RESISTOR	RN72K1J-103JE	1	435031034R1	NSP
R7615	CHIP TYPE CARBON RESISTOR	RN72K1J-151JE	1	435031514R1	NSP
R7616	CHIP TYPE CARBON RESISTOR	RN72K1J-470JE	1	435034704R1	NSP
R7617	CHIP TYPE CARBON RESISTOR	RN72K1J-151JE	1	435031514R1	NSP
R7618	CHIP TYPE CARBON RESISTOR	RN72K1J-221JE	1	435032214R1	NSP
R7619	CHIP TYPE CARBON RESISTOR	RN72K1J-221JE	1	435032214R1	NSP
R7620	CHIP TYPE CARBON RESISTOR	RN72K1J-331JE	1	435033314R1	NSP
R7621	CHIP TYPE CARBON RESISTOR	RN72K1J-331JE	1	435033314R1	NSP
R7622	CHIP TYPE CARBON RESISTOR	RN72K1J-331JE	1	435033314R1	NSP
R7623	CHIP TYPE CARBON RESISTOR	RN72K1J-471JE	1	435034714R1	NSP
R7624	CHIP TYPE CARBON RESISTOR	RN72K1J-221JE	1	435032214R1	NSP
R7625	CHIP TYPE CARBON RESISTOR	RN72K1J-221JE	1	435032214R1	NSP
R7626	CHIP TYPE CARBON RESISTOR	RN72K1J-331JE	1	435033314R1	NSP
R7628	CHIP TYPE CARBON RESISTOR	RN72K1J-221JE	1	435032214R1	NSP
R7629	CHIP TYPE CARBON RESISTOR	RN72K1J-681JE	1	435036814R1	NSP
R7630	CHIP TYPE CARBON RESISTOR	RN72K1J-471JE	1	435034714R1	NSP
R7631	C-METAL R	RN72K2B-000JE2	1	435110004R1	NSP
R7650	CHIP TYPE CARBON RESISTOR	RN72K1J-000JE	1	435030004R1	NSP
R7651	CHIP TYPE CARBON RESISTOR	RN72K1J-000JE	1	435030004R1	NSP
R7750	CHIP TYPE CARBON RESISTOR	RN72K1J-221JE	1	435032214R1	NSP
R7751	CHIP TYPE CARBON RESISTOR	RN72K1J-331JE	1	435033314R1	NSP
R7752	CHIP TYPE CARBON RESISTOR	RN72K1J-331JE	1	435033314R1	NSP
R7753	CHIP TYPE CARBON RESISTOR	RN72K1J-331JE	1	435033314R1	NSP
R7756	CHIP TYPE CARBON RESISTOR	RN72K1J-221JE	1	435032214R1	NSP
R7759	CHIP TYPE CARBON RESISTOR	RN72K1J-470JE	1	435034704R1	NSP
R7760	CHIP TYPE CARBON RESISTOR	RN72K1J-470JE	1	435034704R1	NSP
R7761	CHIP TYPE CARBON RESISTOR	RN72K1J-470JE	1	435034704R1	NSP
R7762	CHIP TYPE CARBON RESISTOR	RN72K1J-473JE	1	435034734R1	NSP
R7766	CHIP TYPE CARBON RESISTOR	RN72K1J-473JE	1	435034734R1	NSP
R7767	CHIP TYPE CARBON RESISTOR	RN72K1J-473JE	1	435034734R1	NSP
R7769	CHIP TYPE CARBON RESISTOR	RN72K1J-473JE	1	435034734R1	NSP
R7770	CHIP TYPE CARBON RESISTOR	RN72K1J-473JE	1	435034734R1	NSP



R7881	CHIP TYPE CARBON RESISTOR	RN72K1J-681JE	1	435036814R1	NSP
R7882	CHIP TYPE CARBON RESISTOR	RN72K1J-681JE	1	435036814R1	NSP
R7883	CHIP TYPE CARBON RESISTOR	RN72K1J-681JE	1	435036814R1	NSP
R7884	CHIP TYPE CARBON RESISTOR	RN72K1J-681JE	1	435036814R1	NSP
R7885	CHIP TYPE CARBON RESISTOR	RN72K1J-221JE	1	435032214R1	NSP
R7886	CHIP TYPE CARBON RESISTOR	RN72K1J-221JE	1	435032214R1	NSP
R7887	CHIP TYPE CARBON RESISTOR	RN72K1J-221JE	1	435032214R1	NSP
R7888	CHIP TYPE CARBON RESISTOR	RN72K1J-221JE	1	435032214R1	NSP
R7902	NON-FLAMMABLE CARBON FILM RESISTOR	R25J-4.7	1	415470474T	
R7903	CHIP TYPE CARBON RESISTOR	RN72K1J-220JE	1	435032204R1	NSP
R7904	CHIP TYPE CARBON RESISTOR	RN72K1J-220JE	1	435032204R1	NSP
R7905	CHIP TYPE CARBON RESISTOR	RN72K2E-010JE	1	435220104R1	NSP
R7906	CHIP TYPE CARBON RESISTOR	RN72K1J-220JE	1	435032204R1	NSP
R7907	CHIP TYPE CARBON RESISTOR	RN72K2E-100JE	1	435221004R1	NSP
R7908	CHIP TYPE CARBON RESISTOR	RN72K2E-000JE	1	435220004R1	NSP
R7909	CHIP TYPE CARBON RESISTOR	RN72K1J-184JE	1	435031844R1	NSP
R7910	C-METAL R	RN72K2B-000JE2	1	435110004R1	NSP
<b>[ Switches, Terminals, Wires ]</b>					
P020F	PRINTED WIRING BOARD	BCAMP-2451	{1}	25142451	<b>N</b> NSP
P030	PRINTED WIRING BOARD	BCDG-2445	1	25142445A	<b>N</b> NSP
P030B	PRINTED WIRING BOARD	BCAMP-2443	{1}	25142443	<b>N</b> NSP
P030L	PRINTED WIRING BOARD	BCAF-2449	{1}	25142449	<b>N</b> NSP
P101	PIN JACK	NPJ-1PDW733	1	25045975	
P102	PIN JACK	NPJ-1PDR732	1	25045974	
P110	TRM(SCREW)	TER21-0130V	1	25060533	NSP
P120	TERMINAL	NTM-1P233(M1969)	1	25060302	NSP
P121	TRM(SCREW)	TER21-0130V	1	25060533	NSP
P404A	SOCKET	NSCT-9P2189	1	25052292	NSP
P409B	PLUG	NPLG-3P350	1	25055367	NSP
P5001B	SOCKET	NSCT-9P2189	1	25052292	NSP
P5002B	SOCKET	NSCT-9P2189	1	25052292	NSP
P7001	ST JACK	MSJ-035-22	1	25045887	
P7001A	SOCKET	NSCT-13P2193	1	25052296	NSP
P7002A	SOCKET	IMSA-9111S-16L	1	25053258	NSP
P7003A	SOCKET	IMSA-9111S-16L	1	25053258	NSP
P7011	SOCKET	IMSA-9618S-09A	1	25053334R2	NSP
P7501	PIN JACK	NPJ-2PDO666	1	25045895	
P7521	TRM(SCREW)	TER21-0130V	1	25060533	NSP
P903B	PLUG	NPLG-7P354	1	25055371	NSP
P909B	CRIMP CORD ASSEMBLY	CRIMP SR805_2	1	20799170UL	NSP
RL101	RELAY	NRL-2P2A-DC12-207	1	25065726	
RL102	RELAY	NRL-2P2A-DC12-207	1	25065726	

**BADIS-2434-1C****<Note>**

1. Parts marked by "NSP" are generally unavailable because they are not in our Master Spare Parts List.
2. The ! mark found on some component parts indicates the importance of the safety factor of the part.

Therefore, when replacing, be sure to use parts of identical designation.

: NSP



REF. NO.	PART NAME	DESCRIPTION	Q'TY	PART NO. (SN)	REMARKS
<b>[ Semi-conductors ]</b>					
D7105	LED	SCPW3618E-D2	1	225495	
D7105A	HOLDER	(LED-LH5-2)	1	27191336	NSP
D7106	LED	SCPW3618E-D2	1	225495	
D7106A	HOLDER	(LED-LH5-2)	1	27191336	NSP
D7107	LED	SCPW3618E-D2	1	225495	
D7107A	HOLDER	(LED-LH5-2)	1	27191336	NSP
D7108	LED	SCPW3618E-D2	1	225495	
D7108A	HOLDER	(LED-LH5-2)	1	27191336	NSP
D7109	LED	SCB3318E-D2	1	225487	
D7109A	HOLDER	(LED-LH5-2)	1	27191336	NSP
D7110	LED	SCB3318E-D2	1	225487	
D7110A	HOLDER	(LED-LH5-2)	1	27191336	NSP
D7111	LED	SCB3318E-D2	1	225487	
D7111A	HOLDER	(LED-LH5-2)	1	27191336	NSP
D7112	LED	SCB3318E-D2	1	225487	
D7112A	HOLDER	(LED-LH5-2)	1	27191336	NSP
D7113	LED	SCB3318E-D2	1	225487	
D7113A	HOLDER	(LED-LH5-2)	1	27191336	NSP
D7114	LED	HLMP-Y701	1	225528	
D7115	LED	SCB3318E-D2	1	225487	
D7116	LED	SCB3318E-D2	1	225487	
D7118	LED	SCB3318E-D2	1	225487	
D7119	LED	SCB3318E-D2	1	225487	
D7120	LED	SCB3318E-D2	1	225487	
D901	CHIP TYPE DIODE	S1NB60-4062	1	22380318R2	NSP
D902	CHIP TYPE DIODE	DA2J10100	1	223303R2	NSP
D903	CHIP TYPE DIODE	DA2J10100	1	223303R2	NSP
D951	CHIP TYPE DIODE	KDS4148U	1	223283R2	NSP
D952	CHIP TYPE DIODE	KDS4148U	1	223283R2	NSP
D953	CHIP TYPE DIODE	KDS4148U	1	223283R2	NSP
D954	CHIP TYPE DIODE	KDS4148U	1	223283R2	NSP
D955	CHIP TYPE DIODE	KDS4148U	1	223283R2	NSP
D956	CHIP TYPE DIODE	KDS4148U	1	223283R2	NSP
D957	CHIP TYPE DIODE	KDS4148U	1	223283R2	NSP
D958	CHIP TYPE DIODE	KDS4148U	1	223283R2	NSP
D959	CHIP TYPE DIODE	DA2J10100	1	223303R2	NSP
D961	ZENER DIODE	DZ2J047M0L	1	224760470R2	NSP
D965	DIODE	RL1N4003	1	22380260T	NSP
D966	DIODE	RL1N4003	1	22380260T	NSP
D967	DIODE	RL1N4003	1	22380260T	NSP
Q480	HYBRID IC	NJM4580CG	1	22242922R2	NSP
Q7101	HYBRID IC	TLC59281DBQR	1	22243284R2	NSP
Q7102	HYBRID IC	BD6211F	1	22243283R2	NSP
Q7103	REMOTE SENSOR	IRM-3638M3S28	1	24130026	
Q7104	HYBRID IC	S-1333A33-M5T1U3	1	22242934R2	NSP
Q7105	TRANSISTOR	2SC2712-GR	1	2213145R2	NSP
Q901	TRANSISTOR	KRC105S	1	2217290R2	NSP
Q902	TRANSISTOR	KRC105S	1	2217290R2	NSP
Q904	HYBRID IC	78M05(NJM78M05FA)	1	222780055JRC	
Q904A	HEAT SINK	ME151025402170	1	27160692	NSP
Q904B	SCREW	3P+6FN(3BC)	1	82143006GR	NSP
Q952	TRANSISTOR	KRC105S	1	2217290R2	NSP
<b>[ Transformers, Coils ]</b>					



L7101	CORE	BLM18PG181SN1D	1	2350005R1	NSP
T951	POWER TRANSFORMER	NPT-1520JQ	1	2301812A	!
<b>[ Capacitors ]</b>					
C481	CHIP TYPE PLASTIC FILM CAPACITOR	63MU221KZ12012	1	376992215R2	NSP
C482	CHIP TYPE PLASTIC FILM CAPACITOR	63MU221KZ12012	1	376992215R2	NSP
C483	UPZ TYPE PLASTIC FILM CAPACITOR	2AUPZTF221JE	1	376332214T	NSP
C484	UPZ TYPE PLASTIC FILM CAPACITOR	2AUPZTF221JE	1	376332214T	NSP
C485	UMXR TYPE PLASTIC FILM CAPACITOR	1JUMXRTF102JE	1	376591024T	NSP
C491	UTSP TYPE ELECTROLYTIC CAPACITOR	CE04W25V-220M(UTSP)	1	397552217T	
C492	UTSP TYPE ELECTROLYTIC CAPACITOR	CE04W25V-220M(UTSP)	1	397552217T	
C7101	CHIP TYPE CERAMIC CAPACITOR	CK725B1C-104K1	1	332121045R1	NSP
C7102	ELECTROLYTIC CAPACITOR	CE04W16V-100M	1	355741019T	
C7103	CHIP TYPE CERAMIC CAPACITOR	CC725CH1H-471J1	1	342104714R1	NSP
C7104	CHIP TYPE CERAMIC CAPACITOR	CC725CH1H-471J1	1	342104714R1	NSP
C7105	CHIP TYPE CERAMIC CAPACITOR	CC725CH1H-471J1	1	342104714R1	NSP
C7107	ELECTROLYTIC CAPACITOR	CE04W16V-100M	1	355741019T	
C7108	CHIP TYPE CERAMIC CAPACITOR	CK725B1C-104K1	1	332121045R1	NSP
C7110	ELECTROLYTIC CAPACITOR	CE04W16V-10M	1	355741009T	
C7111	ELECTROLYTIC CAPACITOR	CE04W16V-10M	1	355741009T	
C7112	ELECTROLYTIC CAPACITOR	CE04W16V-10M	1	355741009T	
C7113	ELECTROLYTIC CAPACITOR	CE04W16V-10M	1	355741009T	
C7121	CHIP TYPE CERAMIC CAPACITOR	CC725CH1H-471J1	1	342104714R1	NSP
C7130	CHIP TYPE CERAMIC CAPACITOR	CK725B1H-223K1	1	332102235R1	NSP
C7131	CHIP TYPE CERAMIC CAPACITOR	CK725B1H-223K1	1	332102235R1	NSP
C7132	CHIP TYPE CERAMIC CAPACITOR	CK725B1H-223K1	1	332102235R1	NSP
C7133	CHIP TYPE CERAMIC CAPACITOR	CK725B1H-223K1	1	332102235R1	NSP
C7134	CHIP TYPE CERAMIC CAPACITOR	CK725B1H-223K1	1	332102235R1	NSP
C7135	CHIP TYPE CERAMIC CAPACITOR	CK725B1H-223K1	1	332102235R1	NSP
C7136	CHIP TYPE CERAMIC CAPACITOR	CK725B1H-223K1	1	332102235R1	NSP
C7137	CHIP TYPE CERAMIC CAPACITOR	CK725B1H-223K1	1	332102235R1	NSP
C7138	CHIP TYPE CERAMIC CAPACITOR	CK725B1H-223K1	1	332102235R1	NSP
C7140	UTSP TYPE ELECTROLYTIC CAPACITOR	CE04W25V-47M(UTSP)	1	397554707AT	
C7141	UMXR TYPE PLASTIC FILM CAPACITOR	1JUMXRTF102JE	1	376591024T	NSP
C7142	CHIP TYPE CERAMIC CAPACITOR	CK725B1H-223K1	1	332102235R1	NSP
C7144	CHIP TYPE CERAMIC CAPACITOR	CK725B1H-223K1	1	332102235R1	NSP
C7145	CHIP TYPE CERAMIC CAPACITOR	CK725B1C-104K1	1	332121045R1	NSP
C7146	CHIP TYPE CERAMIC CAPACITOR	CK725B1C-104K1	1	332121045R1	NSP
C7160	CHIP TYPE CERAMIC CAPACITOR	CC725CH1H-101J1	1	342101014R1	NSP
C7161	CHIP TYPE CERAMIC CAPACITOR	CC725CH1H-101J1	1	342101014R1	NSP
C7170	UMXR TYPE PLASTIC FILM CAPACITOR	1JUMXRTF102JE	1	376591024T	NSP
C7171	UMXR TYPE PLASTIC FILM CAPACITOR	1JUMXRTF102JE	1	376591024T	NSP
C7173	UMXR TYPE PLASTIC FILM CAPACITOR	1JUMXRTF102JE	1	376591024T	NSP
C7181	ELECTROLYTIC CAPACITOR	CE04W16V-100M	1	355741019T	
C7182	UMXR TYPE PLASTIC FILM CAPACITOR	1JUMXRTF102JE	1	376591024T	NSP
C7183	UMXR TYPE PLASTIC FILM CAPACITOR	1JUMXRTF102JE	1	376591024T	NSP
C7191	CHIP TYPE CERAMIC CAPACITOR	CK725B1A-105K1	1	332131055R1	NSP
C7192	ELECTROLYTIC CAPACITOR	CE04W16V-100M	1	355741019T	
C901	FILM C	C281H334J20A21A	1	376823344T	NSP
C902	FILM C	C281H334J20A21A	1	376823344T	NSP
C903	UTSK C	CE04W16V-3300M(UTSK)	1	398343327S	
C904	FILM C	C281H104J20A21A	1	376821044T	NSP
C905	FILM C	C281H104J20A21A	1	376821044T	NSP
C906	FILM C	C281H104J20A21A	1	376821044T	NSP
C907	UTSP TYPE ELECTROLYTIC CAPACITOR	CE04W25V-47M(UTSP)	1	397554707AT	
C951	IS TYPE CAPACITOR	DE1E3KX102MB4BL01	1	3300066S	!

C952	IS TYPE CAPACITOR	DE1E3KX102MB4BL01	1	3300066S	!
C954	FILM C	C281H104J20A21A	1	376821044T	NSP
C955	VR TYPE ELECTROLYTIC CAPACITOR	CE04W25V-2200M(VR)	1	394652227S	
C956	UTSK C	CE04W25V-1000M(UTSK)	1	398351027S	
C957	UTSP TYPE ELECTROLYTIC CAPACITOR	CE04W50V-4.7M(UTSP)	1	397580477AT	
C959	FILM C	C281H104J20A21A	1	376821044T	NSP
<b>[ Resistors ]</b>					
R481	CHIP TYPE CARBON RESISTOR	RN72K1J-471JE	1	435034714R1	NSP
R482	CHIP TYPE CARBON RESISTOR	RN72K1J-471JE	1	435034714R1	NSP
R483	CHIP TYPE CARBON RESISTOR	RN72K1J-470JE	1	435034704R1	NSP
R484	CHIP TYPE CARBON RESISTOR	RN72K1J-470JE	1	435034704R1	NSP
R485	CHIP TYPE CARBON RESISTOR	RN72K1J-104JE	1	435031044R1	NSP
R486	CHIP TYPE CARBON RESISTOR	RN72K1J-104JE	1	435031044R1	NSP
R487	CHIP TYPE CARBON RESISTOR	RN72K1J-224JE	1	435032244R1	NSP
R488	CHIP TYPE CARBON RESISTOR	RN72K1J-224JE	1	435032244R1	NSP
R493	CHIP TYPE CARBON RESISTOR	RN72K2E-220JE	1	435222204R1	NSP
R494	CHIP TYPE CARBON RESISTOR	RN72K2E-220JE	1	435222204R1	NSP
R7102	CHIP TYPE CARBON RESISTOR	RN72K1J-101JE	1	435031014R1	NSP
R7103	CHIP TYPE CARBON RESISTOR	RN72K1J-101JE	1	435031014R1	NSP
R7104	CHIP TYPE CARBON RESISTOR	RN72K1J-101JE	1	435031014R1	NSP
R7105	CHIP TYPE CARBON RESISTOR	RN72K1J-471JE	1	435034714R1	NSP
R7106	CHIP TYPE CARBON RESISTOR	RN72K1J-471JE	1	435034714R1	NSP
R7107	CHIP TYPE CARBON RESISTOR	RN72K1J-471JE	1	435034714R1	NSP
R7108	CHIP TYPE CARBON RESISTOR	RN72K1J-471JE	1	435034714R1	NSP
R7109	CHIP TYPE CARBON RESISTOR	RN72K1J-471JE	1	435034714R1	NSP
R7110	CHIP TYPE CARBON RESISTOR	RN72K1J-471JE	1	435034714R1	NSP
R7111	CHIP TYPE CARBON RESISTOR	RN72K1J-471JE	1	435034714R1	NSP
R7112	CHIP TYPE CARBON RESISTOR	RN72K1J-471JE	1	435034714R1	NSP
R7113	CHIP TYPE CARBON RESISTOR	RN72K1J-471JE	1	435034714R1	NSP
R7114	CHIP TYPE CARBON RESISTOR	RN72K1J-471JE	1	435034714R1	NSP
R7115	CHIP TYPE CARBON RESISTOR	RN72K1J-471JE	1	435034714R1	NSP
R7116	CHIP TYPE CARBON RESISTOR	RN72K1J-471JE	1	435034714R1	NSP
R7118	CHIP TYPE CARBON RESISTOR	RN72K1J-471JE	1	435034714R1	NSP
R7119	CHIP TYPE CARBON RESISTOR	RN72K1J-471JE	1	435034714R1	NSP
R7120	CHIP TYPE CARBON RESISTOR	RN72K1J-471JE	1	435034714R1	NSP
R7121	CHIP TYPE CARBON RESISTOR	RN72K1J-223JE	1	435032234R1	NSP
R7122	CHIP TYPE CARBON RESISTOR	RN72K1J-473JE	1	435034734R1	NSP
R7123	CHIP TYPE CARBON RESISTOR	RN72K1J-223JE	1	435032234R1	NSP
R7125	CHIP TYPE CARBON RESISTOR	RN72K1J-271JE	1	435032714R1	NSP
R7126	CHIP TYPE CARBON RESISTOR	RN72K1J-331JE	1	435033314R1	NSP
R7128	CHIP TYPE CARBON RESISTOR	RN72K1J-471JE	1	435034714R1	NSP
R7130	VARIABLE RESISTOR	N11RLC20KB27Z	1	5121553	
R7131	VARIABLE RESISTOR	N11RLC20KB27Z	1	5121553	
R7132	VARIABLE RESISTOR	N11RLC20KB27Z	1	5121553	
R7133	CHIP TYPE CARBON RESISTOR	RN72K1J-474JE	1	435034744R1	NSP
R7134	CHIP TYPE CARBON RESISTOR	RN72K1J-474JE	1	435034744R1	NSP
R7135	CHIP TYPE CARBON RESISTOR	RN72K1J-474JE	1	435034744R1	NSP
R7136	CHIP TYPE CARBON RESISTOR	RN72K1J-102JE	1	435031024R1	NSP
R7137	CHIP TYPE CARBON RESISTOR	RN72K1J-102JE	1	435031024R1	NSP
R7138	CHIP TYPE CARBON RESISTOR	RN72K1J-102JE	1	435031024R1	NSP
R7140	CHIP TYPE CARBON RESISTOR	RN72K1J-104JE	1	435031044R1	NSP
R7141	CHIP TYPE CARBON RESISTOR	RN72K1J-000JE	1	435030004R1	NSP
R7142	CHIP TYPE CARBON RESISTOR	RN72K1J-221JE	1	435032214R1	NSP
R7143	CHIP TYPE CARBON RESISTOR	RN72K1J-221JE	1	435032214R1	NSP
R7144	CHIP TYPE CARBON RESISTOR	RN72K1J-104JE	1	435031044R1	NSP

R7145	CHIP TYPE CARBON RESISTOR	RN72K1J-104JE	1	435031044R1	NSP
R7150	VARIABLE RESISTOR	N16RGL20KB25M	1	5142522	
R7151	CHIP TYPE CARBON RESISTOR	RN72K1J-474JE	1	435034744R1	NSP
R7152	CHIP TYPE CARBON RESISTOR	RN72K1J-102JE	1	435031024R1	NSP
R7160	CHIP TYPE CARBON RESISTOR	RN72K1J-102JE	1	435031024R1	NSP
R7161	CHIP TYPE CARBON RESISTOR	RN72K1J-102JE	1	435031024R1	NSP
R7162	CHIP TYPE CARBON RESISTOR	RN72K1J-104JE	1	435031044R1	NSP
R7163	CHIP TYPE CARBON RESISTOR	RN72K1J-104JE	1	435031044R1	NSP
R7181	CHIP TYPE CARBON RESISTOR	RN72K1J-101JE	1	435031014R1	NSP
R7184	CHIP TYPE CARBON RESISTOR	RN72K1J-102JE	1	435031024R1	NSP
R7191	CHIP TYPE CARBON RESISTOR	RN72K1J-101JE	1	435031014R1	NSP
R7193	CHIP TYPE CARBON RESISTOR	RN72K1J-104JE	1	435031044R1	NSP
R901	METAL RESISTOR	RNU1/2WCJ-2.2	1	453530224T	NSP
R902	METAL RESISTOR	RNU1/2WCJ-2.2	1	453530224T	NSP
R903	METAL RESISTOR	RNU1/2WCJ-2.2	1	453530224T	NSP
R956	CHIP TYPE CARBON RESISTOR	RN72K1J-473JE	1	435034734R1	NSP
R957	CHIP TYPE CARBON RESISTOR	RN72K1J-103JE	1	435031034R1	NSP
R958	METAL OXIDE FILM RESISTOR	RS1/2WBJ-56	1	443525604T	NSP
R965	METAL RESISTOR	RNU1/2WCJ-2.2	1	453530224T	NSP
R966	METAL RESISTOR	RNU1/2WCJ-2.2	1	453530224T	NSP
R967	CHIP TYPE CARBON RESISTOR	RN72K1J-000JE	1	435030004R1	NSP
<b>[ Switches, Terminals, Wires ]</b>					
F901A	FUSE HOLDER	NSCT-1P2031	1	25052133T	! NSP
F901B	FUSE HOLDER	NSCT-1P2031	1	25052133T	! NSP
F902A	FUSE HOLDER	NSCT-1P2031	1	25052133T	! NSP
F902B	FUSE HOLDER	NSCT-1P2031	1	25052133T	! NSP
F951A	FUSE HOLDER	NSCT-1P2031	1	25052133T	! NSP
F951B	FUSE HOLDER	NSCT-1P2031	1	25052133T	! NSP
P020	PRINTED WIRING BOARD	BCDIS-2434	1	25142434A	N NSP
P020B	PRINTED WIRING BOARD	BCETC-2435	{1}	25142435	N NSP
P020C	PRINTED WIRING BOARD	BCDIS-2436	{1}	25142436	N NSP
P020D	PRINTED WIRING BOARD	BCETC-2437	{1}	25142437	N NSP
P020E	PRINTED WIRING BOARD	BCETC-2438	{1}	25142438	N NSP
P020G	PRINTED WIRING BOARD	BCPS-2440	{1}	25142440	N NSP
P020H	PRINTED WIRING BOARD	BCETC-2441	{1}	25142441	N NSP
P020J	PRINTED WIRING BOARD	BCETC-2446	{1}	25142446	N NSP
P030K	PRINTED WIRING BOARD	BCPS-2448	{1}	25142448	N NSP
P403A	SOCKET	NSCT-9P2189	1	25052292	NSP
P405	PIN JACK	NPJ-4PDRW806	1	25046079	
P480	TRM(SCREW)	TER21-0130V	1	25060533	NSP
P481	WS CLAMP	CB-71683(L=50)	1	260261	NSP
P514	WIRE HARNESS ASSEMBLY	NSAS-5P2108	1	2009991297UL	NSP
P514A	WIRE HOL	CHD-1.5-5	1	25053536	NSP
P7101	WIRE HARNESS ASSEMBLY	NSAS-11P2157	1	2009991346UL	NSP
P7101A	WIRE HOL	CHD-1.5-11	1	25053539	NSP
P7102	WIRE HARNESS ASSEMBLY	NSAS-9P2141	1	2009991330UL	NSP
P7102A	WIRE HOL	CHD-1.5-9	1	25053538	NSP
P7104A	WIRE HARNESS ASSEMBLY	NSAS-26P2495	1	2004C392608UL	NSP
P7104B	PLUG	NPLG-13P360	1	25055377	NSP
P7105A	WIRE HARNESS ASSEMBLY	NSAS-14P2497	1	2004C391408UL	NSP
P7105B	PLUG	NPLG-7P354	1	25055371	NSP
P7106A	WIRE HOL	CHD-1.5-5	1	25053536	NSP
P7106B	WIRE HOL	CHD-1.5-5	1	25053536	NSP
P7170	ST JACK	MSJ-064-05A SR	1	25045783	
P7171	TRM(SCREW)	TER21-0130V	1	25060533	NSP

P900	PLUG	NPLG-5P152	1	25055168	NSP
P901D	PLUG	NPLG-3P150	1	25055166	NSP
P902	PLUG	NPLG-3P117	1	25055133	NSP
P903A	WIRE HARNESS ASSEMBLY	NSAS-14P2479	1	2004C191440UL	NSP
P904A	PLUG	NPLG-7P0962	1	25056012	NSP
P904B	SOCKET	NSCT-7P2187	1	25052290	NSP
P906	TRM(SCREW)	TER21-0130V	1	25060533	NSP
P907	RETAINER	(TRM)	1	25060507	NSP
P908	TRM(SCREW)	TER21-0130V	1	25060533	NSP
P909A	CRIMP CORD ASSEMBLY	UL1015#18SIN-SGM 220 BLK	1	20799202UL	NSP
P951	PLUG	NPLG-2P631	1	25055675	NSP
P952	PLUG	NPLG-2P631	1	25055675	NSP
P953	TRM(SCREW)	TER21-0130V	1	25060533	NSP
P954	TERMINAL	NTM-1P233(M1969)	1	25060302	NSP
RL901	RELAY	NRL-1P10A-DC12-196	1	25065707	!
RL902	RELAY	NRL-1P10A-DC12-196	1	25065707	!
RL951	RELAY	NRL-1P10A-DC9-188	1	25065693	!
S7101	PUSH SWITCH	NPS-111-S681	1	25035718T	NSP
S7102	PUSH SWITCH	NPS-111-S681	1	25035718T	NSP
S7103	PUSH SWITCH	NPS-111-S681	1	25035718T	NSP
S7105	PUSH SWITCH	NPS-111-S681	1	25035718T	NSP
S7106	PUSH SWITCH	NPS-111-S681	1	25035718T	NSP
S7108	ROTARY ENCODER	EVEHC1F2524B	1	25065696W	
S7108or	ROTARY ENCODER	XREB125PVB25FINB1-2-24PC	(1)	25065736	
<b>[ Accessories ]</b>					
A7000	RETAINER	(KNOB)	1	27142298A	NSP
A7000A	SCREW	3TTB+8B(3BC)	2	838430088GR	NSP