

ONKYO SERVICE MANUAL

INTEGRATED AMPLIFIER MODEL A-9377(B)/(S)




RC-748S

Black and Silver models

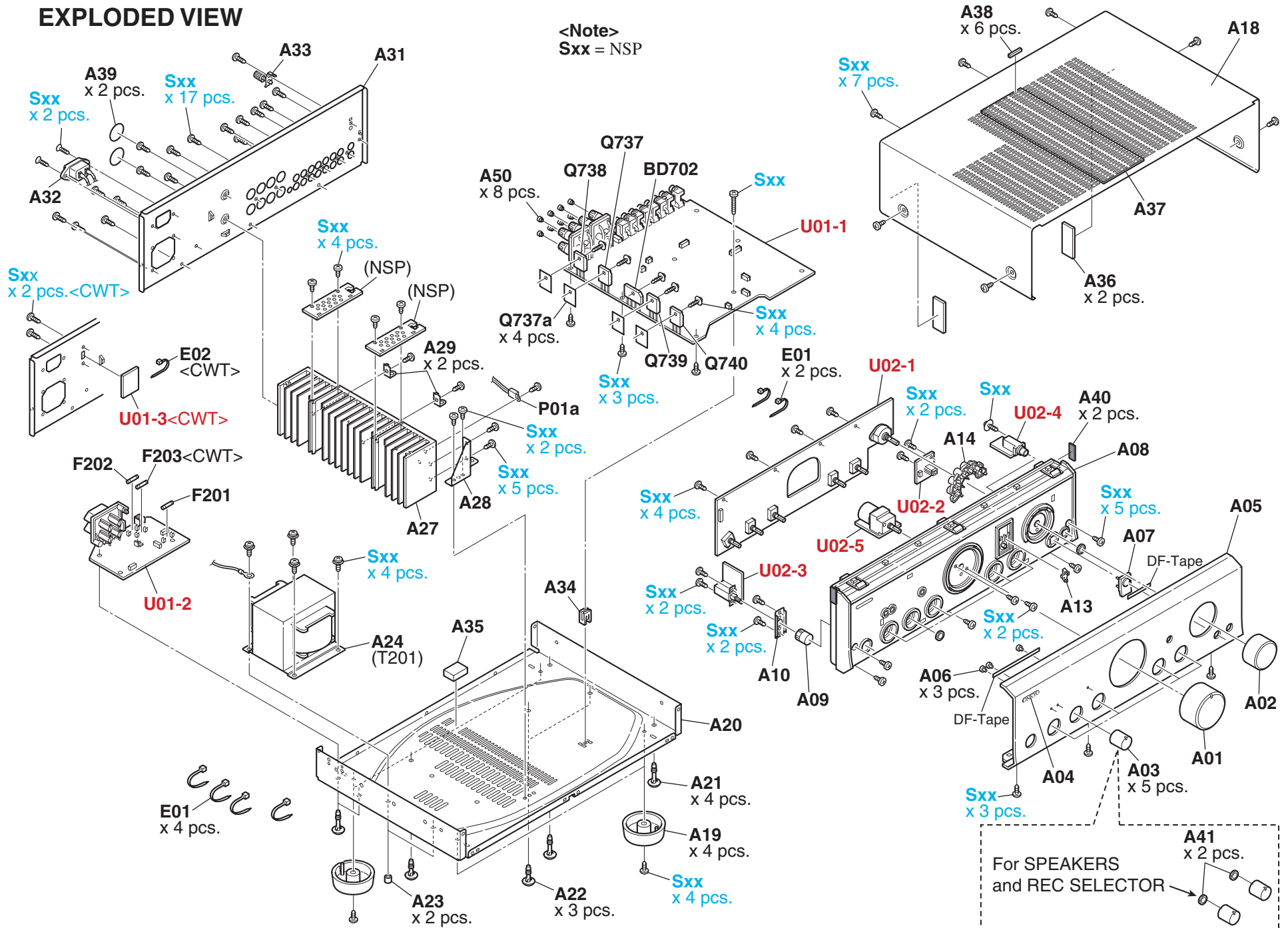
B CPP	230 AC, 50Hz
S CPP	230 AC, 50Hz
B CWT	120/220-240V AC, 50/60Hz
S CWT	120/220-240V AC, 50/60Hz

SAFETY-RELATED COMPONENT WARNING!!

COMPONENTS IDENTIFIED BY MARK  ON THE SCHEMATIC DIAGRAM AND IN THE PARTS LIST ARE CRITICAL FOR RISK OF FIRE AND ELECTRIC SHOCK. REPLACE THESE COMPONENTS WITH ONKYO PARTS WHOSE PART NUMBERS APPEAR AS SHOWN IN THIS MANUAL.

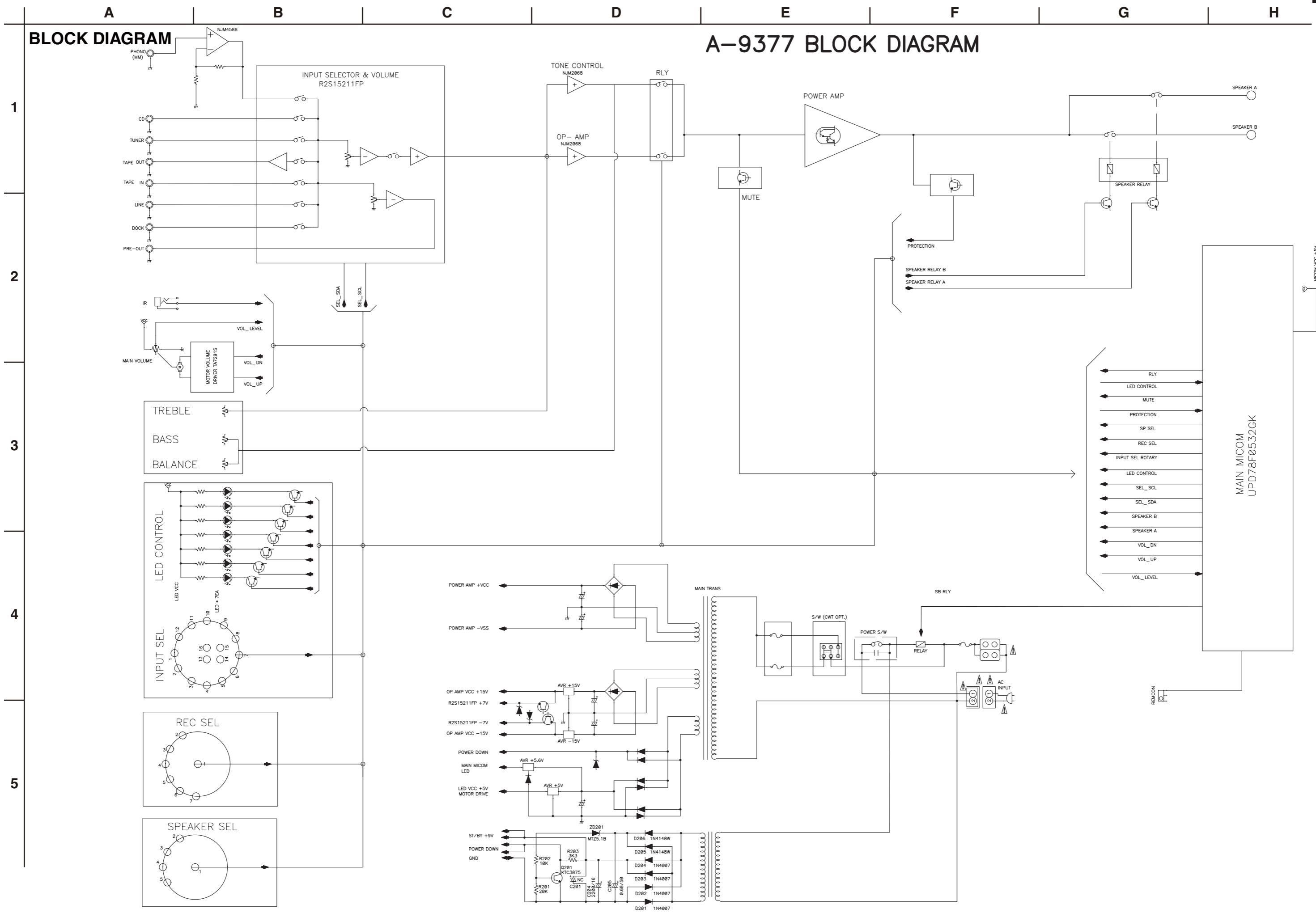
MAKE LEAKAGE-CURRENT OR RESISTANCE MEASUREMENTS TO DETERMINE THAT EXPOSED PARTS ARE ACCEPTABLY INSULATED FROM THE SUPPLY CIRCUIT BEFORE RETURNING THE APPLIANCE TO THE CUSTOMER.

EXPLODED VIEW



BLOCK DIAGRAM

A-9377 BLOCK DIAGRAM



SCHEMATIC DIAGRAM-1
MAIN

A-9377 MAIN SCH

FROM FRONT BOARD
(TONE CONTROL L,R CH)

1

2

3

4

5

PHONO EQUALIZER

TONE DIRECT SEL

VOLUME CONTROL

IR REPEATER

LEFT POWER-AMP

RIGHT POWER-AMP

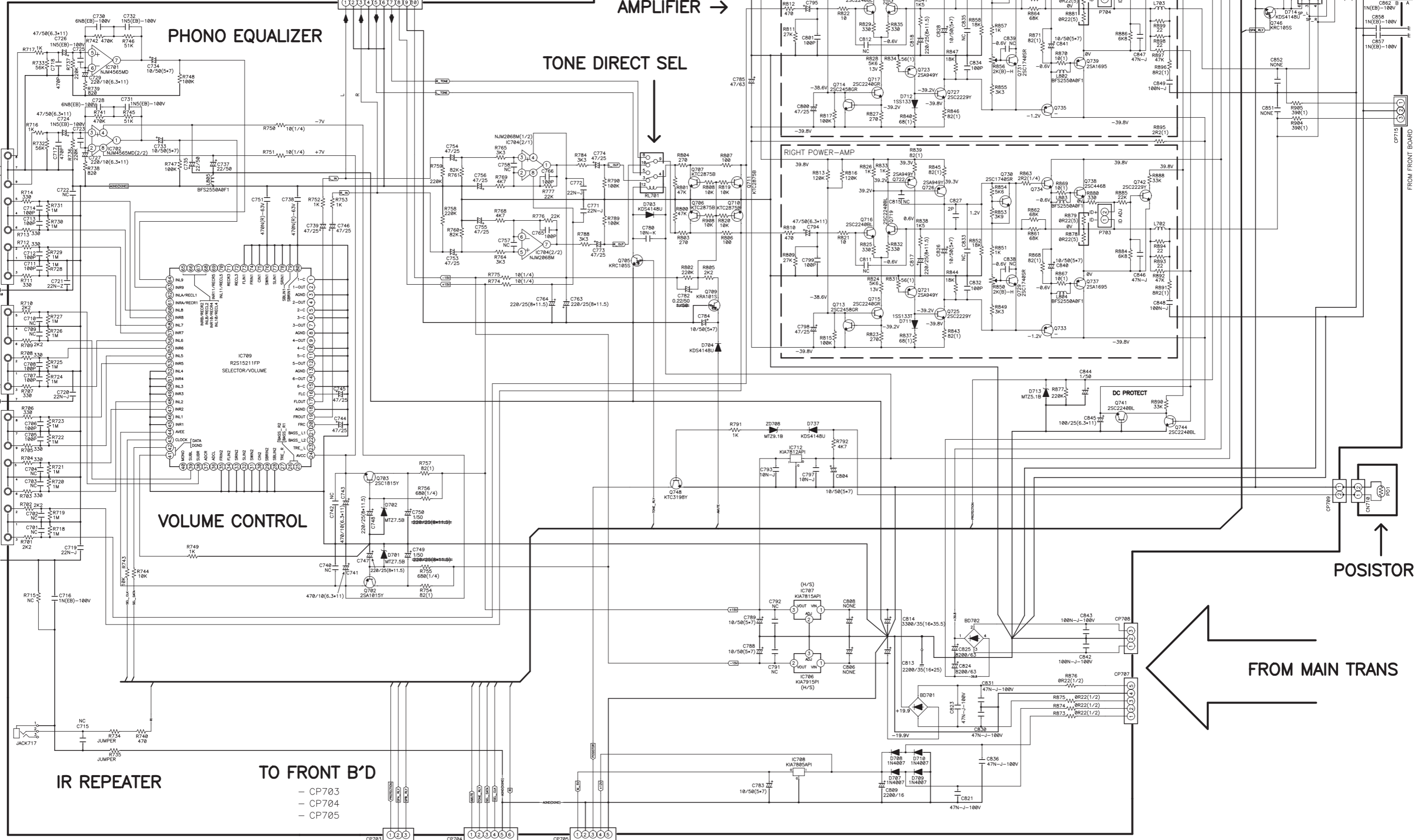
FROM MAIN TRANS

POSISTOR

AMPLIFIER →

TO FRONT B'D

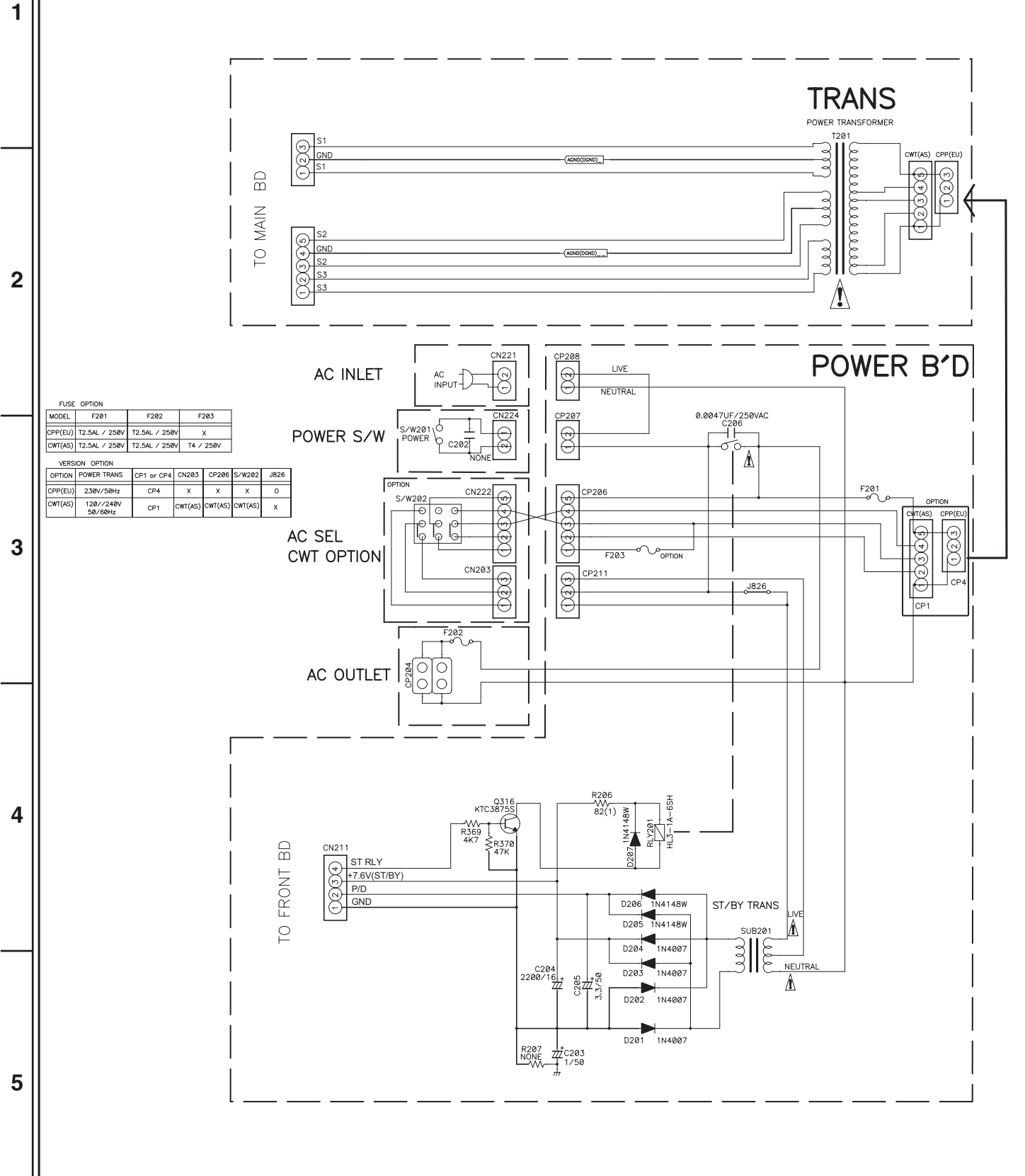
- CP703
- CP704
- CP705



SCHEMATIC DIAGRAM-2

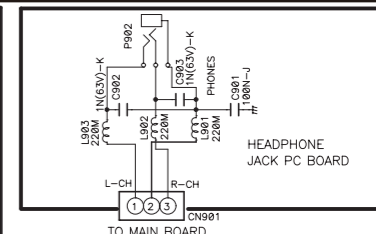
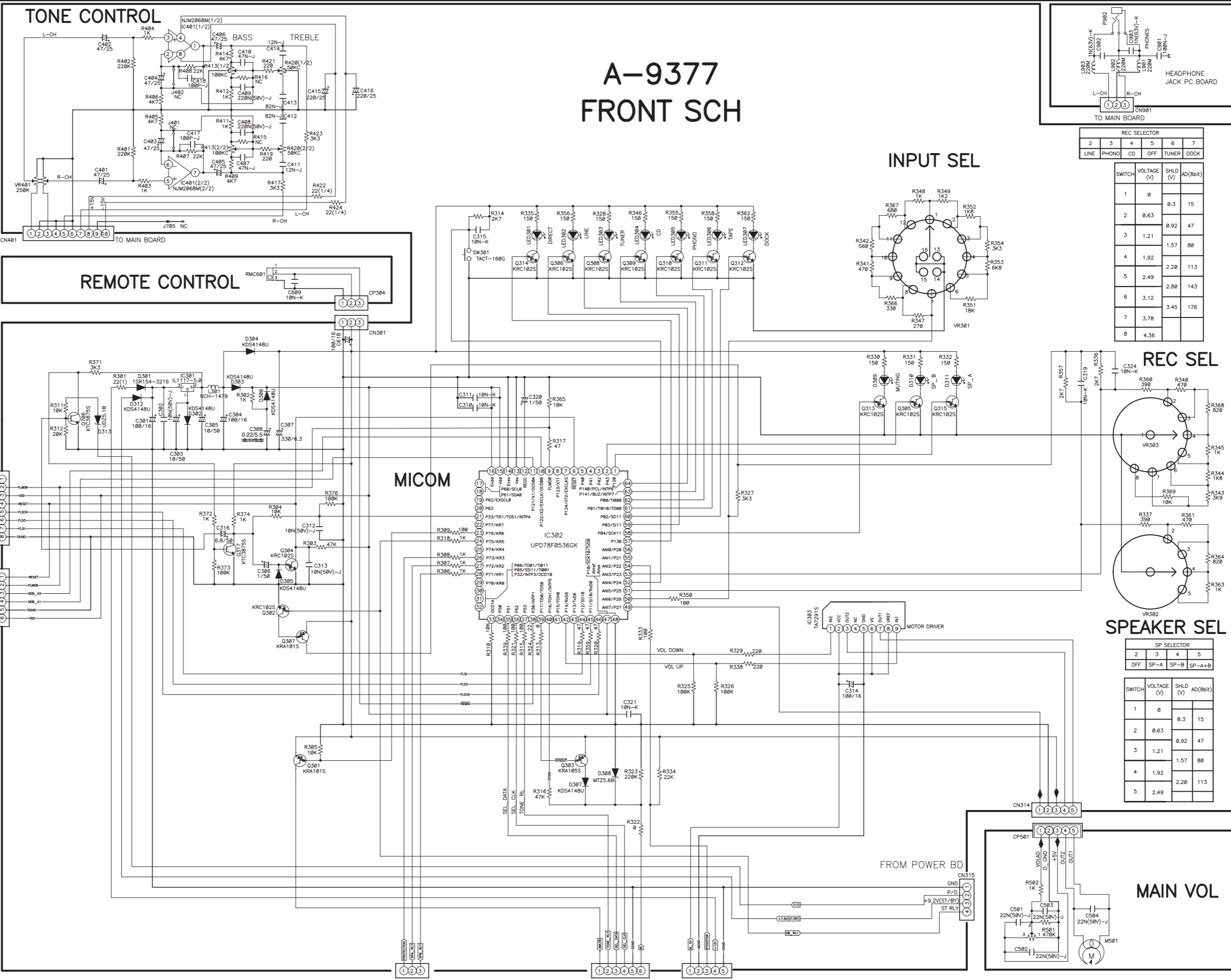
POWER

A-9377 POWER SCH



SCHEMATIC DIAGRAM-3 FRONT

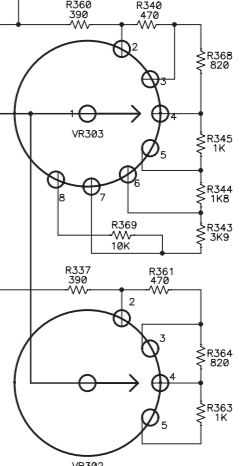
A-9377 FRONT SCH



REC SELECTOR	
LINE	PHONO
2	
3	
4	
5	
6	
7	

SWITCH	VOLTAGE (V)	SHLD (V)	AD (Ebit)
1	0	0.3	15
2	0.63	0.92	47
3	1.21	1.57	80
4	1.92	2.28	113
5	2.49	2.88	143
6	3.12	3.45	176
7	3.78		
8	4.36		

REC SEL

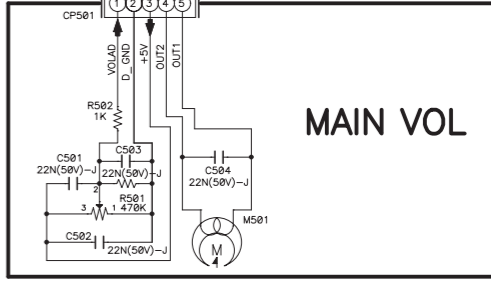


SPEAKER SEL

SP SELECTOR			
2	3	4	5
OFF	SP-A	SP-B	SP-A+B

SWITCH	VOLTAGE (V)	SHLD (V)	AD (Ebit)
1	0	0.3	15
2	0.63	0.92	47
3	1.21	1.57	80
4	1.92	2.28	113
5	2.49		

MAIN VOL



1

2

3

4

5

FROM MAIN BD

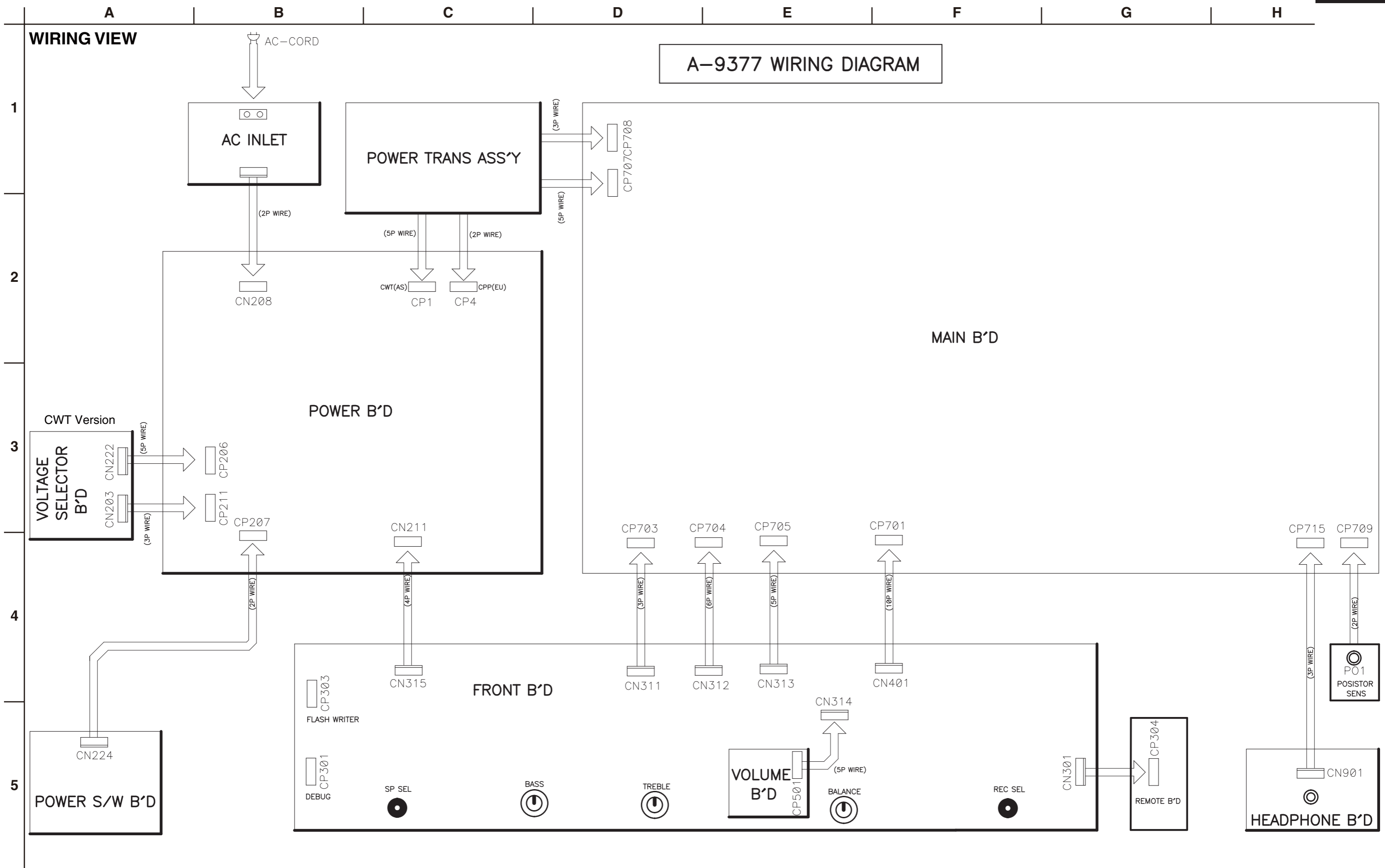
FROM MAIN BD

FROM MAIN BD

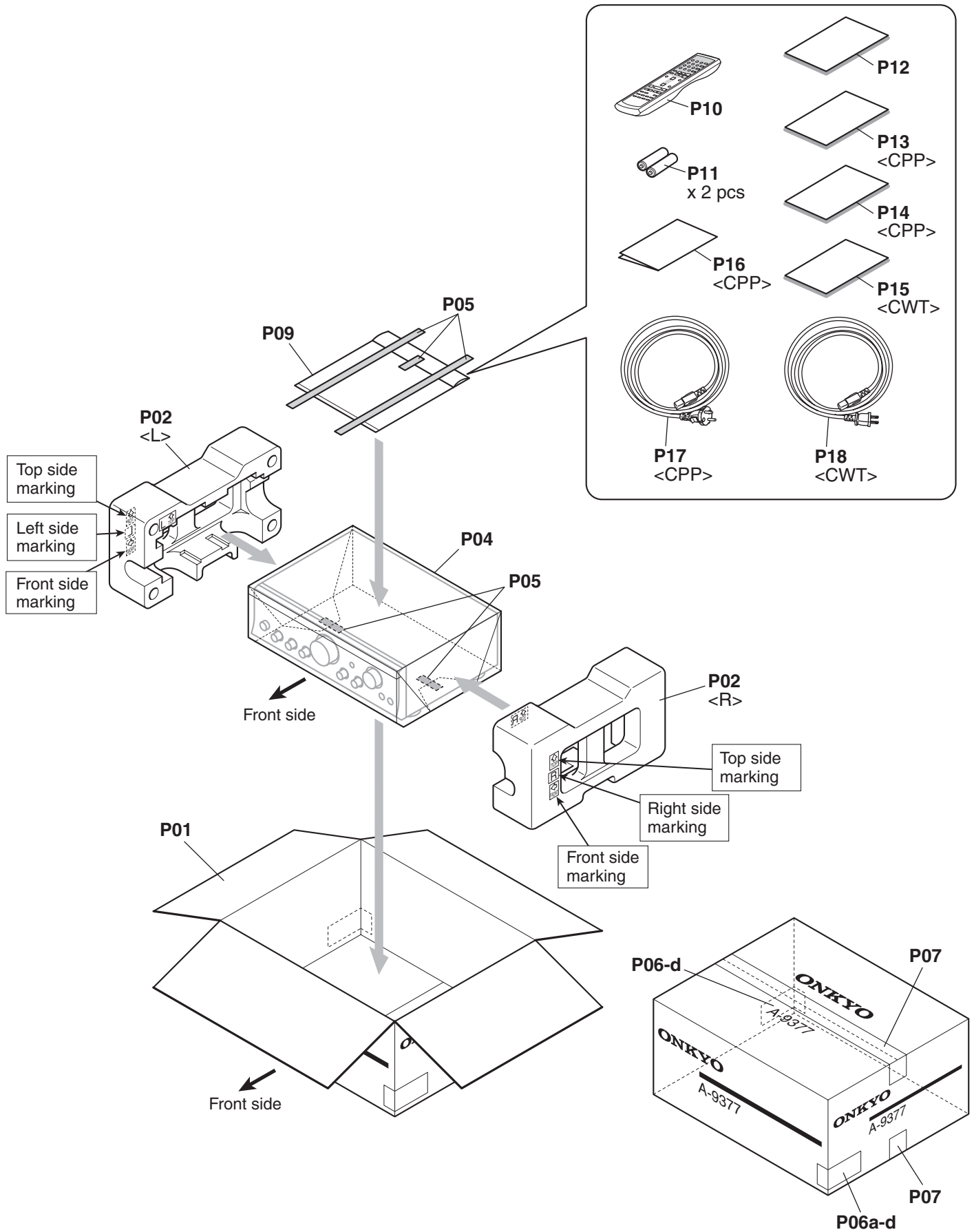
FROM POWER BD

WIRING VIEW

A-9377 WIRING DIAGRAM



PACKING PROCEDURE



A-9377

EXPLODED VIEWS PARTS LIST

<Notes>

(B) : Black model

(S) : Silver model

<CPP> : European model

<CWT> : Asian model

	REF. NO.	PART NAME	DESCRIPTION	Q'TY	PART NO. (SN)	REMARKS
EXPLODED	Q737	TR	2SA1695-O PW TR TO3P	1	2202513	
EXPLODED	Q739	TR	2SA1695-O PW TR TO3P	1	2202513	
EXPLODED	Q738	TR	2SC4468-O PW TR TO3P	1	2202523	
EXPLODED	Q740	TR	2SC4468-O PW TR TO3P	1	2202523	
EXPLODED	Q737a	ISO SHEET	AC238	4	223024	
EXPLODED	BD702	D.RECTIFIER BRIDGE	DIODE BRIDGE KBJ6-J 600V/6A STRAIGHT TYPE	1	K047600600010S	
EXPLODED	P01a	POSISTOR	PTC 120MM/2P(SMH250-02) WH1569#24 105'C	1	F320121021240S	
EXPLODED	A01	KNOB	A-9377B (CPP) BLK-00055 AL+ABS A4/VOLUME(KD)	1	5087211998000SZ	(B)
EXPLODED	A01	KNOB	A-9377S (CPP) SIV-00217 AL+ABS A4/VOLUME(KD)	1	5087211998010SZ	(S)
EXPLODED	A02	KNOB	A-9377B (CPP) BLK-00055 AL+ABS A4/INPUT(KD)	1	5087211988000SZ	(B)
EXPLODED	A02	KNOB	A-9377S (CPP) SIV-00217 AL+ABS A4/INPUT(KD)	1	5087211988010SZ	(S)
EXPLODED	A03	KNOB	A-9377B (CPP) BLK-00234 ABS HF380 A4 / SPEAKER	5	5087211971000S	(B)
EXPLODED	A03	KNOB	A-9377S (CPP) SIV-00251 ABS HF380 A4 / SPEAKER	5	5087211971100S	(S)
EXPLODED	A04	BADGE	BADGE	1	28135244	(B)
EXPLODED	A04	BADGE	---	1	28135298	(S)
EXPLODED	A05	PANEL	A-9377B (CPP) BLK-00055 AL-EXT A2 / FRONT	1	3067214458000S	(B)
EXPLODED	A05	PANEL	A-9377S (CPP) SIV-00217 AL-EXT A2 / FRONT	1	3067214458010S	(S)
EXPLODED	A06	LENS	A9377/CPP(ONKYO) ACRYL MILKY A4/SPEAKER	3	3710210833000S	
EXPLODED	A07	WINDOW	A9377/CPP ACRYL SMOKE A4/REMOCON	1	5070212723000S	(B)
EXPLODED	A07	WINDOW	A9377(S)CPP ACRYL MILKY A4/REMOCON	1	5070212723100S	(S)
EXPLODED	A08	FRAME	A-9377B (ALL) BLK-00234 ABS BK A1 / FRONT	1	3217212051000S	(B)

EXPLODED	A08	FRAME	A-9377S (ALL) SIV-00251 ABS HF380 A1/FRONT	1	3217212051100S	(S)
EXPLODED	A09	BUTTON	A-9377B (CPP) ABS UV COATING A4 / POWER	1	5097213841000S	(B)
EXPLODED	A09	BUTTON	A-9377S (CPP) ABS SIV-00251 증착+UV COATING/POWER	1	5097213841100S	(S)
EXPLODED	A10	BRACKET	SR7200/U2B(MARANTZ) SECC 1.0t /POWER	1	4010210876000S	
EXPLODED	A13	LENS	A9377/CPP(ONKYO) ACRYL MILKY A4/TONE	1	3710210823000S	
EXPLODED	A14	LENS	A9377/CPP ACRYL MILKY A4/INPUT	1	3710210813000S	
EXPLODED	A18	CABINET	A-9377B (ALL) BLK-00230 SECC t0.8 SPRAY A2/TOP	1	3007211426000S	(B)
EXPLODED	A18	CABINET	A-9377S (ALL) SIV-00259 SECC t0.8 SPRAY A2/TOP	1	3007211426010S	(S)
EXPLODED	A19	LEG	AS	4	27175425	
EXPLODED	A20	CHASSIS	A9377/CPP(ONKYO) SECC 1.2t A1/MAIN	1	3200212866000S	NSP
EXPLODED	A21	FASTENER	() BUTTON SUPPORT DABS-16R	4	4420040243010S	
EXPLODED	A22	SUPPORTER	R871G(DOM) DONG-A DABS-10R(L) 10mm / PCB	3	4070210344000S	
EXPLODED	A23	CUSHION	SX315KUCXCN(PIONEER) EVA BKΦ10XΦ5X8t/TRANS SCREW	2	4050211205000S	
EXPLODED	A24	POWER TRANS	A-9377(CPP)/MAIN 230V/50HZ 96*56	1	8200960560200S	<CPP>
EXPLODED	A24	POWER TRANS	A-9377(CWT)/MAIN 220V-240V/50HZ-60HZ 96*56	1	8200960560210S	<CWT>
EXPLODED	A27	HEAT SINK	A9377/CPP AL 6063 EXT A3/MAIN	1	2120211458000S	NSP
EXPLODED	A28	BRACKET	A9377/CPP SECC t1 A4/HEATSINK	1	4010214096000S	
EXPLODED	A29	BRACKET	AVCS7000S(DENON) SECC 1.0t A4/PCB	2	4010212356000S	
EXPLODED	A31	CHASSIS	A-9377 (CPP) SECC 0.8t Silk 1도 A2 / BACK	1	3207212856000S	<CPP>
EXPLODED	A31	CHASSIS	A-9377 (CWT) SECC 0.8t Silk 1도 A2 / BACK	1	3207212856100S	<CWT>
EXPLODED	A32	SOCKET,POWER AC	AC INLET VAC18S	1	G430000180010S	
EXPLODED	A33	TERMINAL	S4011062KN	1	3790000090000S	
EXPLODED	A34	SUPPORTER	UPAF07 ABS BK/PCB	1	4070001601010S	
EXPLODED	A35	CUSHION	A9377 CR BK 난연 10t*24*19/PCB	1	4050212595000S	
EXPLODED	A36	CUSHION	A9377 RUBBER 50*20*t2.5 A4/SIDE	2	4050212545000S	

EXPLODED	A37	COVER	A9377(B)(ONKYO) PC 770F BLACK t0.5 A3/SAFETY	1	4310214912100S	(B)
EXPLODED	A37	COVER	A9377(S) PC G42 CLEAR t0.5 A3/SAFETY	1	4310214912000S	(S)
EXPLODED	A38	COVER	AVR1908 SRE2(DENON) 94HB.BLACK POM A4/HOLDER	6	4310213701000S	(B)
EXPLODED	A38	COVER	AVR1909SPE2(DENON) (DENON)SP POM A4/HOLDER	6	4310213701100S	(S)
EXPLODED	A39	COVER	A9377 PC-770F BLACK t0.5 A4/SCREW	2	4310214932000S	
EXPLODED	A40	FELT	A9377 10X30Xt0.25 부직포 A4/SIDE	2	2690210269000S	
EXPLODED	A41	SPRING	VSAS1/JJXCN(PIONEER) SWP PI1.2 내경PI7.7 A4/KNOB	2	3720210276000S	
EXPLODED	A50	RIVET	() SNAP RIVET DASR-355	8	1560040036010S	
EXPLODED	E01	WIRE TIE	BSK-1	6	260208	ALL
EXPLODED	E02	WIRE TIE	BSK-1	1	260208	<CWT>
EXPLODED	(U01)	P.C.B TOTAL ASSY	A9377/PPP(ONKYO) / MAIN*	1	7025HA0802020	<PPP>
EXPLODED	(U01)	P.C.B TOTAL ASSY	A9377/CWT(ONKYO) / MAIN*	1	7025HA0802010	<CWT>
EXPLODED	U01-1	P.C.B SUB ASSY	A9377/PPP(ONKYO) / MAIN	(1)	7028068111010	
EXPLODED	U01-2	P.C.B SUB ASSY	A9377/PPP(ONKYO) / POWER	(1)	7028068112020	<PPP>
EXPLODED	U01-2	P.C.B SUB ASSY	A9377/PPP(ONKYO) / POWER	(1)	7028068112010	<CWT>
EXPLODED	U01-3	P.C.B SUB ASSY	A9377/PPP(ONKYO) / VOL_SEL	(1)	7028068113010	<CWT>
EXPLODED	(U02)	P.C.B TOTAL ASSY	A9377/PPP(ONKYO) / FRONT*	1	7025HA0802021	<PPP>
EXPLODED	(U02)	P.C.B TOTAL ASSY	A9377/CWT(ONKYO) / FRONT*	1	7025HA0802011	<CWT>
EXPLODED	U02-1	P.C.B SUB ASSY	A9377/PPP(ONKYO) / FRONT	(1)	7028068121010	
EXPLODED	U02-2	P.C.B SUB ASSY	A9377/PPP(ONKYO) / REMOTE	(1)	7028068122010	
EXPLODED	U02-3	P.C.B SUB ASSY	A9377/PPP(ONKYO) / POWER_S/W	(1)	7028068123010	
EXPLODED	U02-4	P.C.B SUB ASSY	A9377/PPP(ONKYO) / H_P	(1)	7028068124010	
EXPLODED	U02-5	P.C.B SUB ASSY	A9377/PPP(ONKYO) / VOLUME	(1)	7028068125010	

A-9377

PACKING PROCEDURE PARTS LIST

<Notes>

(B) : Black model

(S) : Silver model

<PPP> : European model

<CWT> : Asian model

	REF. NO.	PART NAME	DESCRIPTION	Q'TY	PART NO. (SN)	REMARKS
PACKING	P01	BOX,GIFT	A-9377 (CPP/CWP) DW2(BA FLUTE) 동보선(535*422*239)	1	6007211390000S	
PACKING	P02	CUSHION,SNOW	A9377/CPPEPS 55배 A2	1	6230212504000S	
PACKING	P04	PE,SHEET	() 경고28개국어NITRON 750*1460/SET	1	6327040059000S	
PACKING	P05	TAPE	(SEROHAN)NITTO NO.29	1	29110149	
PACKING	P06a	LABEL	ONKYO 130x50 SET+BOX / SERIAL	1	NSP	(B) <CPP>
PACKING	P06b	LABEL	ONKYO 130x50 SET+BOX / SERIAL	1	NSP	(S) <CPP>
PACKING	P06c	LABEL	ONKYO 130x50 SET+BOX / SERIAL	1	NSP	(B) <CWT>
PACKING	P06b	LABEL	ONKYO 130x50 SET+BOX / SERIAL	1	NSP	(S) <CWT>
PACKING	P07	PP TAPE	NITTO No.3903(500mmx100m)	1	29110200	
PACKING	P07 or	PP TAPE	W50 SBT-70	(1)	29110205	
PACKING	P09	POLY BAG	w250xd350	1	29100250A	
PACKING	P10	REMO CON	RC-748S	1	24140748	
PACKING	P11	BATTERY	R6/AA(UM-3)	2	3010194	
PACKING	P11 or	BATTERY	R6/AA(UM-3)	(2)	3010054	
PACKING	P12	INSTRUCTION MANUAL	A-9377 (CPP/CWP) ENG ONLY	1	5707000002550S	
PACKING	P13	INSTRUCTION MANUAL	A-9377 (CPP) Fr/Sp/It	1	5707000002600S	<CPP>
PACKING	P14	INSTRUCTION MANUAL	A-9377 (CPP) Ge/Neth/Swe	1	5707000002630S	<CPP>
PACKING	P15	INSTRUCTION MANUAL	A-9377 (CWP) TIWAN ONLY	1	5707000002540S	<CWT>
PACKING	P16	INST SHEET	WEEE	1	29355537A	<CPP>
PACKING	P17	CORD ASSY	16A/250V M3204/VAC17S H05VV-F2C*1.0MM 1.8M	1	L068250160020S	
PACKING	P18	CORD ASSY	7A/125V TW15CS2/VAC17S VCTF 2*0.75MM 1.83M	1	L068125070060S	<CWT>

A-9377

EXPLODED VIEWS PARTS LIST

NOTE : THE COMPONENTS IDENTIFIED BY THE MARK
! ARE CRITICAL FOR RISK OF FIRE AND
ELECTRIC SHOCK. REPLACE ONLY WITH PART
NUMBER SPECIFIED.

for CWT Version

	REF. NO.	PART NAME	DESCRIPTION	Require Q'ty	PART NO. (SN) - 1	PART NO. (SN) - 2	REMARKS
PCB CWT	U01	P. C. B TOTAL ASSY	A9377/CWT (ONKYO) /MAIN *	1	7025HA0802010		
PCB CWT	U01-1	P. C. B SUB ASSY	A9377/CPP (ONKYO) /MAIN	1	7028068111010		
PCB CWT	*	P. C. B INS ASSY	A9377/CWT (ONKYO) /MAIN-AXIAL	1			
PCB CWT	*	P. C. B	A-9377 (ONKYO) 330*247 1.6T FR1/MAIN	1			
PCB CWT	R821 R822	R, CARBON FILM	10-J, 1/5W-52RE-AX	2		417341004T	
PCB CWT	R806 R807	R, CARBON FILM	100-J, 1/5W-52RE-AX	2		417341014T	
PCB CWT	R716 R717 R752 R753 R791 R826 R830 R833 R836 R851 R857	R, CARBON FILM	1K-J, 1/5W-52RE-AX	11		417341024T	
PCB CWT	R743 R744 R901	R, CARBON FILM	10K-J, 1/5W-52RE-AX	3		417341034T	
PCB CWT	R747 R748 R789 R790 R815 R817	R, CARBON FILM	100K-J, 1/5W-52RE-AX	6		417341044T	
PCB CWT	R718 R719 R720 R721 R722 R723 R724 R725 R726 R727 R728 R729 R730 R731	R, CARBON FILM	1M-J, 1/5W-52RE-AX	14		417341054T	
PCB CWT	R813 R814 R816 R818	R, CARBON FILM	120K-J, 1/5W-52RE-AX	4		417341244T	
PCB CWT	R838 R841	R, CARBON FILM	1.5K-J, 1/5W-52RE-AX	2		417341524T	
PCB CWT	R844 R847 R852 R858	R, CARBON FILM	18K-J, 1/5W-52RE-AX	4		417341834T	
PCB CWT	R893 R894 R898 R899	R, CARBON FILM	22-J, 1/5W-52RE-AX	4		417342204T	
PCB CWT	R701 R702 R709 R710 R805	R, CARBON FILM	2.2K-J, 1/5W-52RE-AX	5		417342224T	
PCB CWT	R776 R777 R885 R887 R900	R, CARBON FILM	22K-J, 1/5W-52RE-AX	5		417342234T	
PCB CWT	R736 R737 R758 R759 R802 R877	R, CARBON FILM	220K-J, 1/5W-52RE-AX	6		417342244T	
PCB CWT	R803 R804 R823 R827	R, CARBON FILM	270-J, 1/5W-52RE-AX	4		417342714T	
PCB CWT	R809 R811	R, CARBON FILM	27K-J, 1/5W-52RE-AX	2		417342734T	
PCB CWT	R703 R704 R705 R706 R707 R708 R711 R712 R713 R714 R825 R829 R832 R835 R880 R883	R, CARBON FILM	330-J, 1/5W-52RE-AX	16		417343314T	
PCB CWT	R764 R765 R784 R788 R849 R855	R, CARBON FILM	3.3K-J, 1/5W-52RE-AX	6		417343324T	
PCB CWT	R888 R889 R890	R, CARBON FILM	33K-J, 1/5W-52RE-AX	3		417343334T	
PCB CWT	R853 R859	R, CARBON FILM	3.9K-J, 1/5W-52RE-AX	2		417343924T	
PCB CWT	R740 R810 R812	R, CARBON FILM	470-J, 1/5W-52RE-AX	3		417344714T	
PCB CWT	R768 R769 R792	R, CARBON FILM	4.7K-J, 1/5W-52RE-AX	3		417344724T	
PCB CWT	R800 R801 R892 R897 R903	R, CARBON FILM	47K-J, 1/5W-52RE-AX	5		417344734T	
PCB CWT	R741 R742	R, CARBON FILM	470K-J, 1/5W-52RE-AX	2		417344744T	
PCB CWT	R745 R746	R, CARBON FILM	51K-J, 1/5W-52RE-AX	2		417345134T	
PCB CWT	R749	R, CARBON FILM	56-J, 1/5W-52RE-AX	1		417345604T	
PCB CWT	R824 R828 R854 R860	R, CARBON FILM	5.6K-J, 1/5W-52RE-AX	4		417345624T	
PCB CWT	R732 R733	R, CARBON FILM	56K-J, 1/5W-52RE-AX	2		417345634T	
PCB CWT	R884 R886	R, CARBON FILM	6.8K-J, 1/5W-52RE-AX	2		417346824T	
PCB CWT	R861 R862 R864 R865	R, CARBON FILM	68K-J, 1/5W-52RE-AX	4		417346834T	
PCB CWT	R738 R739	R, CARBON FILM	820-J, 1/5W-52RE-AX	2		417348214T	
PCB CWT	R760 R761	R, CARBON FILM	82K-J, 1/5W-52RE-AX	2		417348234T	
PCB CWT	R891 R896	R, METAL FILM 100PPM	S. 2-J, 1W-52RE-AX	2	C0608R2065520S		!
PCB CWT	R873 R874 R875 R876	R, FUSIBLE METAL	PNFR 0.22-J, 1/2W-52RE-AX	4	C101R22064520S		!
PCB CWT	L801 L802 L803 L804 L805	COIL, LINE FILTER	BFS2550A0P1 (52MM)	5	D320255000520S		
PCB CWT	D711 D712	D, SWITCHING	ISS133T-72-52MM	2		223163T	
PCB CWT	D707 D708 D709 D710	D, SWITCHING	1N4007 52REEL 1000V 1A	4	K000400700010S		
PCB CWT	D713	D, ZENER	MTZJ5. 1B-0.5W/5MA-52MM	1		224470512T	
PCB CWT	D701 D702	D, ZENER	MTZJ7. 5B-0.5W/5MA-52MM	2		224470752T	
PCB CWT	ZD708	D, ZENER	MTZJ9. 1B-0.5W/5MA-52MM	1		224470912T	

PCB CWT	*	P. C. B INS ASSY	A9377/CWT(ONKYO)/MAIN-MANUAL	1			
PCB CWT	*	HEAT SINK	P656(DOM) P656 AL6063 40MM/SUB	1			NSP
PCB CWT	*	HEAT SINK	HEAT SINK REG TR(24X60)	1			NSP
PCB CWT	CLAMP405	CLAMP	HMX9800(ON)(HAITAI) (W=2.6, L=50)/WIRE(SOLDER)	1	4330000120000S		
PCB CWT	*	SCREW, TAP TITE	+2S 3*8 B-TYPE ZNW/BH	2	B020030081B10S		
PCB CWT	R878 R879 R881 R882	R, CEMENT MPR	RGC5-0.22-J/5W W14*H17	4	C1442R22069000S		
PCB CWT	C809	C, ELECT GE 85C	2200UF-M/16V, 12.5*20-BULK UVR1C222MHD (NICHICON)	1		394642227S	
PCB CWT	C813	C, ELECT GE 85C	2200UF-M/35V, 16*25-BULK UVR1V222MHD (NICHICON)	1		394662227S	
PCB CWT	C814	C, ELECT GE 85C	3300UF-M/35V, 16*35.5-BULK UVR1V332MHD (NICHICON)	1		394663327S	
PCB CWT	C824 C825	C, ELECT GE 85C	8200UF-M/63V, 30*50-BULK LLS1J822MESNOC (NICHICON)	2		3504420	!
PCB CWT	L702 L703	COIL, FILTER-INDUCTOR	0.5UH-BULK	2	D330R50000000S		
PCB CWT	JACK717	JACK, D3.5	EARPHONE JACK PJ-308-02	1	G40130802000YS		
PCB CWT	JACK100	TER, RCA 2PIN	RCA-207AE-02 NI(WH, RD)	1	G601207AE020YS		
PCB CWT	JACK105 JACK106	TER, RCA 4PIN	RCA-405B-04(WH, WH, RD, RD)-YUQIU	2	G602405B0400YS		
PCB CWT	JACK104	TER, RCA 6PIN	RCA-603B-05(WH, WH, WH, RD, RD, RD)YUQIU	1	G603603B05000S		
PCB CWT	*	TER, BOARD SCREW 8P	JB-801A-06(RD, BK, BK, RD-RD, BK, BK, RD)	1	G614801A0600YS		
PCB CWT	RL702 RL703	RELAY	HL3-2A-12S 12V 5A 1회로 2접점	2	G680120503020S		
PCB CWT	RL701	RELAY	BC3-12 24V 2A 2회로 2접점(SMALL SIGNAL)	1	G680240202030S		
PCB CWT	IC708	IC, LINEAR-REGULATOR	KIA7805API, 20W-T0220IS MOLD	1		222780054JRC	
PCB CWT	IC712	IC, LINEAR-REGULATOR	KIA7812API, 20W-T0220IS MOLD	1		222780124JRC	
PCB CWT	IC707	IC, LINEAR-REGULATOR	KIA7815API, 20W-T0200IS	1	222780155KEC	222780154JRC	
PCB CWT	IC706	IC, LINEAR-REGULATOR	KIA7915PI, 20W-T0220IS MOLD	1	222790155KEC	222790154JRC	
PCB CWT	Q733 Q735	SEMI, TR/GE PNP 2SA	2SA1930 20W/2-10RIA	2		2203000	
PCB CWT	Q734 Q736	SEMI, TR/GE NPN 2SC	2SC5171 20W/2-10RIA	2		2203010	
PCB CWT	BD701	D, RECTIFIER BRIDGE	KBPC604 6A	1	K047604000020S		!
PCB CWT	CP703 CP715	CN, WAFER 2.0MM	20010WS-03A00 DIP3P STRAIGHT	2	L101200100310S		
PCB CWT	CP705	CN, WAFER 2.0MM	20010WS-05A00 DIP5P STRAIGHT	1	L101200100510S		
PCB CWT	CP704	CN, WAFER 2.0MM	20010WS-06A00 DIP6P STRAIGHT	1	L101200100610S		
PCB CWT	CP701	CN, WAFER 2.0MM	20010WS-10A00 DIP10P STRAIGHT	1	L101200101010S		
PCB CWT	P703 P704	CN, WAFER 2.0MM	53014-0310 3P	2	L101530140310S		
PCB CWT	CP709	CN, WAFER 2.5MM	SMW250-2P/연호, ST	1	L102020010020S		
PCB CWT	CP707	CN, WAFER 2.5MM	5267-05A 5P	1	L102526700500S		
PCB CWT	CP708	CN, WAFER 7.92MM	35328-0360, 7.92MM HEADER, VER.3CKT	1	L108353280360S		
PCB CWT	*	P. C. B INS ASSY	A9377/CWT(ONKYO)/MAIN-RADIAL	1			
PCB CWT	R750 R751 R774 R775	R, METAL FILM 100PPM	10-J, 1/4W-R, REEL	4	C060010063050S		!
PCB CWT	R904 R905	R, METAL FILM 100PPM	390-J, 1W-R, REEL	2	C060039165050S		!
PCB CWT	R831 R834	R, METAL FILM 100PPM	56-J, 1W-R, REEL	2	C060056065050S		!
PCB CWT	R837 R840	R, METAL FILM 100PPM	68-J, 1W-R, REEL	2	C060068065060S		!
PCB CWT	R755 R756	R, METAL FILM 100PPM	680-J, 1/4W-R, REEL	2	C060068163060S		!
PCB CWT	R754 R757 R839 R842 R843 R845 R846 R848 R868 R871	R, METAL FILM 100PPM	82-J, 1W-R, REEL	10	C060082065050S		!
PCB CWT	R863 R866	R, METAL FILM 100PPM	2, 2-J, 1/4W-R, REEL	2	C0602R2063050S		!
PCB CWT	R895 R902	R, METAL FILM 100PPM	2, 2-J, 1W-R, REEL	2	C0602R2065050S		!
PCB CWT	R850 R856	VR, SEMI CARBON MOLD	EVN-DJAA03B23/REEL	2		5210390T	
PCB CWT	C827 C829	C, CERAMIC T. C DISC	SL2PF-C/50V-5RE	2		345020201T	
PCB CWT	C705 C706 C707 C708 C711 C712 C713 C714 C765 C766 C799 C801 C832 C834	C, CERAMIC HIK DISC	SL100PF-J/50V-5RE	14		345021014T	
PCB CWT	C717 C718	C, CERAMIC HIK DISC	SL470PF-J/50V-5RE	2		345024714T	
PCB CWT	C857 C858 C859 C860 C862 C863	C, FILM POLYESTER	ST-0.001UF-I/100V-5RE	6	D02010206C060S		
PCB CWT	C780 C793 C797	C, FILM POLYESTER	MI-0.01UF-J/50V-5RE ECQV1H103JL3 (PANASONIC)	3		374721034T	
PCB CWT	C842 C843 C848 C849	C, FILM POLYESTER	ST-0.1UF-J/100V-5RE	4	D02010406C060S		
PCB CWT	C723 C725 C731 C732	C, FILM POLYESTER	ST-0.0015UF-J/100V-5RE	4	D02015206C060S		
PCB CWT	C719 C720 C721 C771 C772 C850	C, FILM POLYESTER	MI-0.022UF-J/50V-5RE ECQV1H223JL3 (PANASONIC)	6		374722234T	
PCB CWT	C821 C823 C830 C831 C836 C846 C847	C, FILM POLYESTER	MI-0.047UF-J/50V-5RE ECQV1H473JL3 (PANASONIC)	7		374724734T	
PCB CWT	C738 C751	C, FILM POLYESTER	RED-0.47UF-K/63V-5RE	2	D020474078060S		
PCB CWT	C728 C730	C, FILM POLYESTER	ST-0.0068UF-J/100V-5RE	2	D02068206C060S		
PCB CWT	C749 C750 C844	C, ELECT GE 85C	1UF-M/50V, 5*11-5RE. SY (Pb Free)	3	D040010087150S		
PCB CWT	C733 C734 C783 C784 C788 C789 C804 C826 C828 C840 C841	C, ELECT GE 85C	10UF-M/50V, 5*7-5RE SY (Pb Free)	11	D040100087080S		

PCB CWT	C845	C, ELECT GE 85C	100UF-M/25V, 6. 3*11-5RE. SY	1	D040101084060S		
PCB CWT	C735 C737	C, ELECT GE 85C	22UF-M/50V, 5*11-5RE. SY	2	D040220087060S		
PCB CWT	C727 C729	C, ELECT GE 85C	220UF-M/10V, 6. 3*11-5RE. SMS-SY (Pb Free)	2	D040221082090S		
PCB CWT	C747 C748 C763 C764 C817 C818	C, ELECT GE 85C	220UF-M/25V, 8*11. 5-5RE. SY	6	D040221084060S		
PCB CWT	C739 C744 C745 C746 C753 C754 C755 C756 C773 C774 C798 C800	C, ELECT GE 85C	47UF-M/25V 5*11-5RE. SY	12	D040470084070S		
PCB CWT	C724 C726 C794 C795	C, ELECT GE 85C	47UF-M/50V, 6. 3*11-5RE. SY (Pb Free)	4	D040470087070S		
PCB CWT	C785 C786	C, ELECT GE 85C	47UF-M/63V, 6. 3*11-5RE UVR1J470MDD (NICHICON)	2		394674707T	
PCB CWT	C741 C743	C, ELECT GE 85C	470UF-M/10V, 6. 3*11-5RE	2	D040471082060S		
PCB CWT	C782	C, ELECT GE 85C	0. 22UF-M/50V, 5*11-5RE. SY	1	D040R22087070S		
PCB CWT	Q745	SEMI, TR/GE PNP 2SA	2SA970-GR, 0. 3W/TO92-REEL	1		2211395T	
PCB CWT	Q702	SEMI, TR/GE PNP 2SA	2SA1015-Y 0. 4W/TO-92 REEL	1		2211454T	
PCB CWT	Q721 Q722 Q723 Q724 Q726 Q728	SEMI, TR/GE PNP 2SA	2SA949-Y 0. 8W/TO-92M REEL	6		2211354T	
PCB CWT	Q729 Q730 Q731 Q732	SEMI, TR/GE NPN 2SC	2SC1740SR, 0. 3W/TO92M-REEL	4		2213284T	
PCB CWT	Q703	SEMI, TR/GE NPN 2SC	2SC1815-Y 0. 4W/TO-92 REEL	1		2211254T	
PCB CWT	Q725 Q727 Q742 Q743	SEMI, TR/GE NPN 2SC	2SC2229-Y 0. 8W/TO-92M REEL	4		2211639T	
PCB CWT	Q716 Q718 Q719 Q720 Q741 Q744	SEMI, TR/GE NPN 2SC	2SC2240-BL 0. 3W/TO-92 REEL	6		2211406T	
PCB CWT	Q715 Q717	SEMI, TR/GE NPN 2SC	2SC2240-GR, 0. 3W/TO92-REEL	2		2211405T	
PCB CWT	Q713 Q714	SEMI, TR/GE NPN 2SC	2SC2458-GR 0. 2W/TO-92 REEL	2		2212115T	
PCB CWT	Q748	SEMI, TR/GE NPN 2SC	KTC3198Y, 0. 6W/TO92-REEL	1		2215984T	
PCB CWT	R867 R869 R870 R872	R, FIXED, M. O.	RSD-R1-1WJ-10 3*9 P=5MM SMALL R. REEL	4	N113135610020S		
PCB CWT	*	P. C. B INS ASSY	A9377/CWT(ONKYO)/MAIN-SMD	1			
PCB CWT	R808 R819 R820 R908	R, CHIP THICK	10K-J, 1/16W-1608REEL	4	C20001036M160S		
PCB CWT	C853 C854	C, CERAMIC CHIP HIK	X7R) 0. 01UF-K/50V-1608REEL TDK	2	D011103777162S		
PCB CWT	IC709	IC, ELECT VR	R2S15211FP 8CH-VOL WITH 11 INPUT QFP80P	1		22242297R3	
PCB CWT	IC704	IC, LINEAR OP	NJM2068M-SOP8P	1		22240051R2	
PCB CWT	IC701	IC, LINEAR OP	NJM4565MD-SOP8P	1		22241383R2	
PCB CWT	Q709	SEMI, CHIP TR/PNP 2SA	KRA101S R1, R2=4. 7K 0. 2W/SOT-23 REEL	1	J520010100010S		
PCB CWT	Q705 Q746 Q747	SEMI, CHIP TR/NPN 2SC	KRC105S (NE) 0. 2W/SOT-23 REEL	3		2217290R2	
PCB CWT	Q706 Q707 Q710 Q711	SEMI, CHIP TR/NPN 2SC	KTC2875B(MB) 0. 15W/LOW-ON-RES SOT23 (RTK) -REEL	4	J5222875B0010S		
PCB CWT	D703 D704 D714 D715 D737	D, SWITCHING CHIP	KDS4148U FAST SWITCHING SOD-323(USC)	5		223283R2	
PCB CWT	Q71-2	P. C. B SLB ASSY	A9377/CP(ONKYO)/POWER	1	7028068112010		
PCB CWT	*	P. C. B INS ASSY	A9377/CWT(ONKYO)/POWER-AXIAL	1			
PCB CWT	D201 D202 D203 D204	D, SWITCHING	1N4007 52REEL 1000V 1A	4	K000400700010S		
PCB CWT	J825 J827 J828	CN, WIRE 1P	JUMPER (0. 6/52MM)	3	L045084006040S		
PCB CWT	*	P. C. B INS ASSY	A9377/CWT(ONKYO)/POWER-MANUAL	1			
PCB CWT	BKT1	BRACKET	AVR133(HARMAN) BURRING HOLE SPT 0. 8t/SCREW	1	4010210196100S		
PCB CWT	SUB201	POWER TRANS	VXS819K-RFLXCN 110-127, 220-240V/50-60HZ 28*15/STBY	1	8200280150610S		!
PCB CWT	RUG1	RING, TER WIRE	60MM/1P 7542-B5(4. 2)=B1813TOP-02 BK1007#18	1	8410600010080S		
PCB CWT	C206	C, CERAMIC AC(SAFETY)	SCP2E472M10FF7 0. 0047UF 250VAC 7. 5MM-REEL	1	D00847208H010S		!
PCB CWT	C204	C, ELECT GE 85C	2200UF-M/16V, 12. 5*20-BULK UVR1C222MDD (NICHICON)	1		394642227S	
PCB CWT	JACK401	SOCKET, POWER RECEP	A304D0070P 2P(220V)	1	G435304D00700S		!
PCB CWT	RLY201	RELAY	HL3-1A-6SH DC6V 1A 1회로 1접점 (POWER)	1	G680060102020S		!
PCB CWT	CN211	CN, WAFER 2. 5MM	5267-04A 4P	1	L102526700400S		
PCB CWT	CP211	CN, WAFER 7. 92MM	YW396(05AV) 3P ST	1	L108039605010S		!
PCB CWT	CP206	CN, WAFER 7. 92MM	YW396(09AV) 5P ST	1	L108039609010S		!
PCB CWT	CP208	CN, WAFER 7. 92MM	PLUG JE202B1T2 ST2P 3-B2	1	L108202000220S		!
PCB CWT	CP207	CN, WAFER 7. 92MM	35328-0263, 7. 92MM HEADER, VER, 2CKT, YEL	1	L108353280290S		!
PCB CWT	CP1	CN, WAFER 7. 92MM	35328-0560, 7. 92MM HEADER, VER, 5CKT	1	L108353280560S		
PCB CWT	F201 F202	FUSE GLASS TUBE 20MM	T2. 5A /250V-SVBRTC(K) 218	2		252075GR	!
PCB CWT	F203	FUSE GLASS TUBE 20MM	T4A /250V-SVBRTC(K) 218	1		252077GR	!
PCB CWT	*	P. C. B INS ASSY	A9377/CWT(ONKYO)/POWER-RADIAL	1			
PCB CWT	R206	R, METAL FILM 100PPM	82-J, 1W-R. REEL	1	C060082065050S		!
PCB CWT	C203	C, ELECT GE 85C	1UF-M/50V, 5*11-5RE UVR1H010MDD (NICHICON)	1		394680107T	
PCB CWT	C205	C, ELECT GE 85C	3. 3UF-M/50V, 5*11-5RE SY	1	D0403R3087050S		
PCB CWT	F201A2 F201B2 F202A1 F202B1 F203A2 F203B2	HOLDER, FUSE CLIP	P15. 2-REEL	6	G645000050010S		!
PCB CWT	*	P. C. B INS ASSY	A9377/CWT(ONKYO)/POWER-SMD	1			
PCB CWT	R369	R, CHIP THICK	4. 7K-J, 1/16W-1608REEL	1	C20004726M160S		
PCB CWT	R370	R, CHIP THICK	47K-J, 1/16W-1608REEL	1	C20004736M160S		
PCB CWT	Q316	SEMI, CHIP TR/NPN 2SC	KTC3875S 0. 15W SOT-23 REEL	1		2216175R2	
PCB CWT	D205 D206 D207	D, SWITCHING CHIP	1N4148W FAST SWITCHING SOD-323	3	K005041480020S		

PCB CWT	001-1	P. C. B SUB ASSY	A9377/CPP(ONKYO)/VOL_SEL	1	7028068113010		
PCB CWT	*	P. C. B INS ASSY	A9377/CWT(ONKYO)/VOL_SEL-AXIAL	1			
PCB CWT	*	P. C. B INS ASSY	A9377/CWT(ONKYO)/VOL_SEL-MANUAL	1			
PCB CWT	*	P. C. B	A-9377 97*97 1.6T FR1 ARRY (20)/VOLTAGE SELECTOR	1			
PCB CWT	S/W202	SW, SLIDE	EV-32-91A-4U 10A/250V VOLTAGE SELECTOR SWITCH	1	G060329140000S		!
PCB CWT	CN222	CN, WIRE	120MM/5P CKM3962-09=CKM99050101-09 WH1617#22 CROSS	1	L000121050110S		!
PCB CWT	CN203	CN, WIRE	150MM/3P CKM3962-05=CKM99050101-05 WH1617#22 CROSS	1	L000151030180S		!
PCB CWT	*	P. C. B INS ASSY	A9377/CWT(ONKYO)/VOL_SEL-RADIAL	1			
PCB CWT	*	P. C. B INS ASSY	A9377/CWT(ONKYO)/VOL_SEL-SMD	1			
PCB CWT	*	P. C. B SUB ASSY	A9377/CPP(ONKYO)/CLAMP_A	1			
PCB CWT	*	P. C. B INS ASSY	A9377/CPP(ONKYO)/CLAMP_A-MANUAL	1			
PCB CWT	CLAMP401 CLAMP402	CLAMP	HMX9800(ON)(HAITAI) (W=2.6, L=50)/WIRE(SOLDER)	2			NSP
PCB CWT	*	P. C. B SUB ASSY	A9377/CPP(ONKYO)/CLAMP_B	1			
PCB CWT	*	P. C. B INS ASSY	A9377/CPP(ONKYO)/CLAMP_B-MANUAL	1			
PCB CWT	CLAMP403 CLAMP404	CLAMP	HMX9800(ON)(HAITAI) (W=2.6, L=50)/WIRE(SOLDER)	2			NSP
PCB CWT	002	P. C. B TOTAL ASSY	A9377/CWT(ONKYO)/FRONT *	1	7025HA0802011		
PCB CWT	003-1	P. C. B SUB ASSY	A9377/CPP(ONKYO)/FRONT	1	7028068121010		
PCB CWT	*	P. C. B INS ASSY	A9377/CWT(ONKYO)/FRONT-AXIAL	1			
PCB CWT	*	P. C. B	A-9377(ONKYO) 330*247 1.6T FR1 ARRY (2)/FRONT	1			
PCB CWT	L301	COIL, FILTER-INDUCTOR	47UH-Q45/20M-R4, 0-52RE LAL04TB	1	D330470104010S		
PCB CWT	D313	D, ZENER	MTZJ5. 1B-0. 5W/5MA-52MM	1		224470512T	
PCB CWT	D308	D, ZENER	MTZJ5. 6B-0. 5W/5MA-52MM	1		224470562T	
PCB CWT	*	P. C. B INS ASSY	A9377/CWT(ONKYO)/FRONT-MANUAL	1			
PCB CWT	BASS	VR, ROTARY 14MM	RK14K124007A-100KC*2 CURVE	1	C454121400100S		
PCB CWT	BALANCE	VR, ROTARY 14MM	RK14K1240-250KMN CURVE	1	C454122300100S		
PCB CWT	TREBLE	VR, ROTARY 14MM	RK14K124004Z-50KC*2 CURVE	1	C454125300100S		
PCB CWT	SPK_SEL	SW, ROTARY	SRBV141201 POSITION=4 CLICK=3 SHAFT L=20MM	1	G120141201010S		
PCB CWT	REC_SEL	SW, ROTARY	SRBV170501 POSITION=7 CLICK=6 SHAFT L=20MM	1	G120170501010S		
PCB CWT	INPUTSEL	SW, ENCODER	SRRM1C7800 L=20MM CLICK=12 ENDLESS CUTTING SHAFT	1		25030424	
PCB CWT	IC303	IC, LINEAR-DRIVER	IC TA7291S	1		22240239	
PCB CWT	D309	LED, ROUND	WEJ314RD-741 3PI RED P=2. 54 BULK	1	K500032001010S		
PCB CWT	D310 D311 LED302 LED303 LED304 LED305 LED306 LED307	LED, ROUND	WEJ3Z4YOT-D02 3PI YELLOW ORANGE P=2. 54	8	K500033000050S		
PCB CWT	LED301	LED, ROUND	WEJ3Z4YOT-823-D02 3PI YELLOW ORANGE P=2. 54	1	K500033000060S		
PCB CWT	CN315	CN, WIRE	330MM/4P 5264-04=CKM2509HR-04 WH1007#22 接続	1	L000331040020S		
PCB CWT	CN313	CN, WIRE 2MM	200MM/5P 20010HS-05=CKM2002HR-05 WH1007#26 接続	1	L002201052630S		
PCB CWT	CN312	CN, WIRE 2MM	260MM/6P 20010HS-06=CKM2002HR-06 WH1007#26 接続	1	L002261062630S		
PCB CWT	CN311	CN, WIRE 2MM	270MM/3P 20010HS-03=CKM2002HR-03 WH1007#26 接続	1	L002271030010S		
PCB CWT	CN401	CN, WIRE 2MM	270MM/10P 20010HS-10=CKM2002HR-10 WH1007#26 接続	1	L002271100020S		
PCB CWT	CN301	CN, WIRE 2MM	50MM/3P 20010HS-03=CKM2002HR-03 WH1007#26	1	L002500030070S		
PCB CWT	CN314	CN, WIRE 2MM	60MM/5P 20010HS-05=CKM2002HR-05 WH1007#26	1	L002600050040S		
PCB CWT	CP303	CN, WAFER 2. 0MM	20010WR-08A00 DIP8P RIGHT ANGLE	1	L101200100820S		
PCB CWT	*	P. C. B INS ASSY	A9377/CWT(ONKYO)/FRONT-RADIAL	1			
PCB CWT	R422 R424	R, METAL FILM 100PPM	22-J, 1/4W-R, REEL	2	C060022063050S		
PCB CWT	C302 C312 C313	C, FILM POLYESTER	MI-0. 01UF-J/50V-5RE ECQV1H103JL3 (PANASONIC)	3		374721034T	
PCB CWT	C411 C414	C, FILM POLYESTER	MI-0. 012UF-J/50V-5RE ECQV1H123JL3 (PANASONIC)	2		374721234T	
PCB CWT	C408 C409	C, FILM POLYESTER	RED-0. 22UF-J/63V-5RE (E12 SERIES)	2	D020224068120S		
PCB CWT	C407 C410	C, FILM POLYESTER	MI-0. 047UF-J/50V-5RE ECQV1H473JL3 (PANASONIC)	2		374724734T	
PCB CWT	C412 C413	C, FILM POLYESTER	MI-0. 082UF-J/50V-5RE ECQV1H823JL3 (PANASONIC)	2		374728234T	
PCB CWT	C306 C320	C, ELECT GE 85C	1UF-M/50V, 5*11-5RE UVR1H10MDD (NICHICON)	2		394680107T	
PCB CWT	C303 C305	C, ELECT GE 85C	10UF-M/50V, 5*11-5RE UVR1H100MDD (NICHICON)	2		394681007T	
PCB CWT	C618	C, ELECT GE 85C	100UF-M/16V, 5*11-5RE, SHL	1	D040101083090S		
PCB CWT	C301 C304 C314	C, ELECT GE 85C	100UF-M/16V, 5*11-5RE UVR1C101MDD (NICHICON)	3		394641017T	
PCB CWT	C415 C416	C, ELECT GE 85C	220UF-M/25V, 6*11(SHL TYPE) SY	2	D040221084600S		
PCB CWT	C307	C, ELECT GE 85C	330UF-M/6. 3V, 6. 3*11-5RE UVR0J331MED (NICHICON)	1		394623317T	
PCB CWT	C401 C402 C403 C404 C405 C406	C, ELECT GE 85C	47UF-M/25V 5*11-5RE, SY	6	D040470084070S		
PCB CWT	C316	C, ELECT GE 85C	6. 8UF-M/50V, 5*11-5RE SHL SY	1	D0406R8087050S		
PCB CWT	C308	C, DOUBLE LAYER(70)	0. 22F/5. 5V-5RE FMOH224ZF -TP18 11. 5*10. 5 (REEL)	1	D090R22902400S		
PCB CWT	SW301	SW, TACT	SKHV10910D01 KB581/LG 160G	1	G180040500010S		
PCB CWT	R301	R, FIXED, M. O.	RSD-R1-1WJ-22 3*9 P=5MM SMALL R. REEL	1	N113135622020S		!
PCB CWT	*	P. C. B INS ASSY	A9377/CWT(ONKYO)/FRONT-SMD	1			

PCB	CWT	R313 R322	R,CHIP THICK	0-J, 1/16W-1608REEL	2	C20000006M160S		
PCB	CWT	R309 R315 R321 R333 R339 R350	R,CHIP THICK	100-J, 1/16W-1608REEL	6	C20001016M160S		
PCB	CWT	R302 R306 R307 R308 R318 R345 R348 R363 R372 R374 R403 R404 R411 R412	R,CHIP THICK	1K-J, 1/16W-1608REEL	14	C20001026M160S		
PCB	CWT	R304 R305 R310 R311 R365 R369	R,CHIP THICK	10K-J, 1/16W-1608REEL	6	C20001036M160S		
PCB	CWT	R325 R326 R373 R376	R,CHIP THICK	100K-J, 1/16W-1608REEL	4	C20001046M160S		
PCB	CWT	R349	R,CHIP THICK	1.2K-J, 1/16W-1608REEL	1	C20001226M160S		
PCB	CWT	R328 R330 R331 R332 R335 R346 R355 R356 R358 R362	R,CHIP THICK	150-J, 1/16W-1608REEL	10	C20001516M160S		
PCB	CWT	R344 R352	R,CHIP THICK	1.8K-J, 1/16W-1608REEL	2	C20001826M160S		
PCB	CWT	R351	R,CHIP THICK	18K-J, 1/16W-1608REEL	1	C20001836M160S		
PCB	CWT	R312	R,CHIP THICK	20K-J, 1/16W-1608REEL	1	C20002036M160S		
PCB	CWT	R324	R,CHIP THICK	22-J, 1/16W-1608REEL	1	C20002206M160S		
PCB	CWT	R329 R338 R419 R421	R,CHIP THICK	220-J, 1/16W-1608REEL	4	C20002216M160S		
PCB	CWT	R334 R407 R408	R,CHIP THICK	22K-J, 1/16W-1608REEL	3	C20002236M160S		
PCB	CWT	R323 R401 R402	R,CHIP THICK	220K-J, 1/16W-1608REEL	3	C20002246M160S		
PCB	CWT	R347	R,CHIP THICK	270-J, 1/16W-1608REEL	1	C20002716M160S		
PCB	CWT	R314 R336 R357	R,CHIP THICK	2.7K-J, 1/16W-1608REEL	3	C20002726M160S		
PCB	CWT	R366	R,CHIP THICK	330-J, 1/16W-1608REEL	1	C20003316M160S		
PCB	CWT	R327 R354 R371 R417 R423	R,CHIP THICK	3.3K-J, 1/16W-1608REEL	5	C20003326M160S		
PCB	CWT	R337 R360	R,CHIP THICK	390-J, 1/16W-1608REEL	2	C20003916M160S		
PCB	CWT	R343	R,CHIP THICK	3.9K-J, 1/16W-1608REEL	1	C20003926M160S		
PCB	CWT	R317 R319 R320 R359	R,CHIP THICK	47-J, 1/16W-1608REEL	4	C20004706M160S		
PCB	CWT	R340 R341 R361	R,CHIP THICK	470-J, 1/16W-1608REEL	3	C20004716M160S		
PCB	CWT	R405 R406 R409 R414	R,CHIP THICK	4.7K-J, 1/16W-1608REEL	4	C20004726M160S		
PCB	CWT	R303 R316	R,CHIP THICK	47K-J, 1/16W-1608REEL	2	C20004736M160S		
PCB	CWT	R342	R,CHIP THICK	560-J, 1/16W-1608REEL	1	C20005616M160S		
PCB	CWT	R367	R,CHIP THICK	680-J, 1/16W-1608REEL	1	C20006816M160S		
PCB	CWT	R353	R,CHIP THICK	6.8K-J, 1/16W-1608REEL	1	C20006826M160S		
PCB	CWT	R364 R368	R,CHIP THICK	820-J, 1/16W-1608REEL	2	C20008216M160S		
PCB	CWT	C417 C418	C,CERAMIC CHIP T.C	COG100PF-J/50V-1608REEL	2	D011011617160S		
PCB	CWT	C310 C311 C315 C319 C321 C324	C,CERAMIC CHIP HIK	X7R)0.01UF-K/50V-1608REEL TDK	6	D01110377162S		
PCB	CWT	IC302	IC,CPU MICRO PROCESS	UPD78P0536GK(T)-UET-A QFP64 /CR601	1	J020780536000S		FLASH
PCB	CWT	IC401	IC,LINEAR OP	NJM2068M-SOP8P	1		22240051R2	
PCB	CWT	IC301	IC,LINEAR-REGULATOR	IL1117.5.0 SOT-223 5.0V 1A LOW DROPOUT	1	J126111750010S		
PCB	CWT	Q301 Q307	SEMI,CHIP TR/PNP 2SA	KRA101S R1, R2=4.7K 0.2W/SOT-23 REEL	2	J520010100010S		
PCB	CWT	Q303	SEMI,CHIP TR/PNP 2SA	KRA105S (PE) 0.2W/SOT-23 REEL	1	J520010500210S		
PCB	CWT	Q302 Q304 Q305 Q306 Q308 Q309 Q310 Q311 Q312 Q313 Q314 Q315	SEMI,CHIP TR/NPN 2SC	KRC102S (NB) 0.2W/SOT-23 REEL	12		2216190R2	
PCB	CWT	Q317 Q706	SEMI,CHIP TR/NPN 2SC	KTC3875S 0.15W SOT-23 REEL	2		2216175R2	
PCB	CWT	D302 D303 D304 D305 D306 D307 D312	D,SWITCHING CHIP	KDS4148U FAST SWITCHING SOD-323 (USC)	7		223283R2	
PCB	CWT	D301	D,RECTIFIER CHIP	1SR154-400 TE25 (SMD)	1		22380284R2	
PCB	CWT	302-3	P.C.B SUB ASSY	A9377/CPP (ONKYO) /REMOTE	1	7028068122010		
PCB	CWT	*	P.C.B INS ASSY	A9377/CWT (ONKYO) /REMOTE-AXIAL	1			
PCB	CWT	*	P.C.B INS ASSY	A9377/CWT (ONKYO) /REMOTE-MANUAL	1			
PCB	CWT	RMC601	MODULE,REMOCON	NJL34H380A 38KHZ 10.2*16.6 P=2.54MM	1		241365	
PCB	CWT	CP304	CN,WAFER 2.0MM	20010WR-03A00 DIP3P RIGHT ANGLE	1	L101200100320S		
PCB	CWT	*	P.C.B INS ASSY	A9377/CWT (ONKYO) /REMOTE-RADIAL	1			
PCB	CWT	*	P.C.B INS ASSY	A9377/CWT (ONKYO) /REMOTE-SMD	1			
PCB	CWT	C609	C,CERAMIC CHIP HIK	X7R)0.01UF-K/50V-1608REEL TDK	1	D01110377162S		
PCB	CWT	302-3	P.C.B SUB ASSY	A9377/CPP (ONKYO) /POWER_S/W	1	7028068123010		
PCB	CWT	*	P.C.B INS ASSY	A9377/CWT (ONKYO) /POWER_S/W-AXIAL	1			
PCB	CWT	*	P.C.B INS ASSY	A9377/CWT (ONKYO) /POWER_S/W-MANUAL	1			
PCB	CWT	S/W201	SW,PUSH	SDDL-005-S (C-UL) 400G	1	G000122006070S		!
PCB	CWT	CN224	CN,WIRE	300MM/2P 35191-02=CKM99050101-03 WH1617#22 7.92MM	1	L000301020100S		!
PCB	CWT	*	P.C.B INS ASSY	A9377/CWT (ONKYO) /POWER_S/W-RADIAL	1			
PCB	CWT	*	P.C.B INS ASSY	A9377/CWT (ONKYO) /POWER_S/W-SMD	1			
PCB	CWT	302-4	P.C.B SUB ASSY	A9377/CPP (ONKYO) /H_P	1	7028068124010		
PCB	CWT	*	P.C.B INS ASSY	A9377/CWT (ONKYO) /H_P-AXIAL	1			
PCB	CWT	*	P.C.B INS ASSY	A9377/CWT (ONKYO) /H_P-MANUAL	1			

PCB	CWT	P902	JACK, D6.5	PHONE (YUQIU) D6.5 SILVER	1	G402PJ619A01YS		
PCB	CWT	CN901	CN, WIRE 2MM	320MM/3P 20010HS-03=CKM2002HV-03 RD2547#26 TUBE	1	L002321030040S		
PCB	CWT	*	P. C. B INS ASSY	A9377/CWT (ONKYO) /H_P-RADIAL	1			
PCB	CWT	C902 C903	C, FILM POLYESTER	ST-0.001UF-J/100V-5RE	2	D02010206C060S		
PCB	CWT	C901	C, FILM POLYESTER	ST-0.1UF-J/100V-5RE	1	D02010406C060S		
PCB	CWT	*	P. C. B INS ASSY	A9377/CWT (ONKYO) /H_P-SMD	1			
PCB	CWT	L901 L902 L903	COIL, BEAD	HB-1M1608-221JT CIM10J221NC 220 OHM	3	D340116082210S		
PCB	CWT	INS-4	P. C. B SUB ASSY	A9377/CPP (ONKYO) /VOLUME	1	7028068125010		
PCB	CWT	*	P. C. B INS ASSY	A9377/CWT (ONKYO) /VOLUME-AXIAL	1			
PCB	CWT	*	P. C. B INS ASSY	A9377/CWT (ONKYO) /VOLUME-MANUAL	1			
PCB	CWT	VOLUME	VR, ROTARY MOTOR 16MM	RK16811MGA07-20KB (MOTOR :N16RGL20KB25M)	1		5142522	
PCB	CWT	CP501	CN, WAFER 2.0MM	20010WS-05A00 DIP5P STRAIGHT	1	L101200100510S		
PCB	CWT	*	P. C. B INS ASSY	A9377/CWT (ONKYO) /VOLUME-RADIAL	1			
PCB	CWT	C501 C502 C503 C504	C, FILM POLYESTER	MI-0.022UF-J/50V-5RE ECQV1H223JL3 (PANASONIC)	4		374722234T	
PCB	CWT	*	P. C. B INS ASSY	A9377/CWT (ONKYO) /VOLUME-SMD	1			
PCB	CWT	R502	R, CHIP THICK	1K-J, 1/16W-160SREEL	1	C20001026M160S		
PCB	CWT	R501	R, CHIP THICK	470K-J, 1/16W-160SREEL	1	C20004746M160S		

A-9377

EXPLODED VIEWS PARTS LIST

NOTE : THE COMPONENTS IDENTIFIED BY THE MARK
! ARE CRITICAL FOR RISK OF FIRE AND
ELECTRIC SHOCK. REPLACE ONLY WITH PART
NUMBER SPECIFIED.

for CWT Version

	REF. NO.	PART NAME	DESCRIPTION	Require Q'ty	PART NO. (SN) - 1	PART NO. (SN) - 2	REMARKS
PCB CWT	U01	P. C. B TOTAL ASSY	A9377/CWT (ONKYO) /MAIN *	1	7025HA0802010		
PCB CWT	U01-1	P. C. B SUB ASSY	A9377/CPP (ONKYO) /MAIN	1	7028068111010		
PCB CWT	*	P. C. B INS ASSY	A9377/CWT (ONKYO) /MAIN-AXIAL	1			
PCB CWT	*	P. C. B	A-9377 (ONKYO) 330*247 1.6T FR1/MAIN	1			
PCB CWT	R821 R822	R, CARBON FILM	10-J, 1/5W-52RE-AX	2		417341004T	
PCB CWT	R806 R807	R, CARBON FILM	100-J, 1/5W-52RE-AX	2		417341014T	
PCB CWT	R716 R717 R752 R753 R791 R826 R830 R833 R836 R851 R857	R, CARBON FILM	1K-J, 1/5W-52RE-AX	11		417341024T	
PCB CWT	R743 R744 R901	R, CARBON FILM	10K-J, 1/5W-52RE-AX	3		417341034T	
PCB CWT	R747 R748 R789 R790 R815 R817	R, CARBON FILM	100K-J, 1/5W-52RE-AX	6		417341044T	
PCB CWT	R718 R719 R720 R721 R722 R723 R724 R725 R726 R727 R728 R729 R730 R731	R, CARBON FILM	1M-J, 1/5W-52RE-AX	14		417341054T	
PCB CWT	R813 R814 R816 R818	R, CARBON FILM	120K-J, 1/5W-52RE-AX	4		417341244T	
PCB CWT	R838 R841	R, CARBON FILM	1.5K-J, 1/5W-52RE-AX	2		417341524T	
PCB CWT	R844 R847 R852 R858	R, CARBON FILM	18K-J, 1/5W-52RE-AX	4		417341834T	
PCB CWT	R893 R894 R898 R899	R, CARBON FILM	22-J, 1/5W-52RE-AX	4		417342204T	
PCB CWT	R701 R702 R709 R710 R805	R, CARBON FILM	2.2K-J, 1/5W-52RE-AX	5		417342224T	
PCB CWT	R776 R777 R885 R887 R900	R, CARBON FILM	22K-J, 1/5W-52RE-AX	5		417342234T	
PCB CWT	R736 R737 R758 R759 R802 R877	R, CARBON FILM	220K-J, 1/5W-52RE-AX	6		417342244T	
PCB CWT	R803 R804 R823 R827	R, CARBON FILM	270-J, 1/5W-52RE-AX	4		417342714T	
PCB CWT	R809 R811	R, CARBON FILM	27K-J, 1/5W-52RE-AX	2		417342734T	
PCB CWT	R703 R704 R705 R706 R707 R708 R711 R712 R713 R714 R825 R829 R832 R835 R880 R883	R, CARBON FILM	330-J, 1/5W-52RE-AX	16		417343314T	
PCB CWT	R764 R765 R784 R788 R849 R855	R, CARBON FILM	3.3K-J, 1/5W-52RE-AX	6		417343324T	
PCB CWT	R888 R889 R890	R, CARBON FILM	33K-J, 1/5W-52RE-AX	3		417343334T	
PCB CWT	R853 R859	R, CARBON FILM	3.9K-J, 1/5W-52RE-AX	2		417343924T	
PCB CWT	R740 R810 R812	R, CARBON FILM	470-J, 1/5W-52RE-AX	3		417344714T	
PCB CWT	R768 R769 R792	R, CARBON FILM	4.7K-J, 1/5W-52RE-AX	3		417344724T	
PCB CWT	R800 R801 R892 R897 R903	R, CARBON FILM	47K-J, 1/5W-52RE-AX	5		417344734T	
PCB CWT	R741 R742	R, CARBON FILM	470K-J, 1/5W-52RE-AX	2		417344744T	
PCB CWT	R745 R746	R, CARBON FILM	51K-J, 1/5W-52RE-AX	2		417345134T	
PCB CWT	R749	R, CARBON FILM	56-J, 1/5W-52RE-AX	1		417345604T	
PCB CWT	R824 R828 R854 R860	R, CARBON FILM	5.6K-J, 1/5W-52RE-AX	4		417345624T	
PCB CWT	R732 R733	R, CARBON FILM	56K-J, 1/5W-52RE-AX	2		417345634T	
PCB CWT	R884 R886	R, CARBON FILM	6.8K-J, 1/5W-52RE-AX	2		417346824T	
PCB CWT	R861 R862 R864 R865	R, CARBON FILM	68K-J, 1/5W-52RE-AX	4		417346834T	
PCB CWT	R738 R739	R, CARBON FILM	820-J, 1/5W-52RE-AX	2		417348214T	
PCB CWT	R760 R761	R, CARBON FILM	82K-J, 1/5W-52RE-AX	2		417348234T	
PCB CWT	R891 R896	R, METAL FILM 100PPM	S. 2-J, 1W-52RE-AX	2	C0608R2065520S		!
PCB CWT	R873 R874 R875 R876	R, FUSIBLE METAL	PNFR 0.22-J, 1/2W-52RE-AX	4	C101R22064520S		!
PCB CWT	L801 L802 L803 L804 L805	COIL, LINE FILTER	BFS2550A0P1 (52MM)	5	D320255000520S		
PCB CWT	D711 D712	D, SWITCHING	ISS133T-72-52MM	2		223163T	
PCB CWT	D707 D708 D709 D710	D, SWITCHING	1N4007 52REEL 1000V 1A	4	K000400700010S		
PCB CWT	D713	D, ZENER	MTZJ5. 1B-0.5W/5MA-52MM	1		224470512T	
PCB CWT	D701 D702	D, ZENER	MTZJ7. 5B-0.5W/5MA-52MM	2		224470752T	
PCB CWT	ZD708	D, ZENER	MTZJ9. 1B-0.5W/5MA-52MM	1		224470912T	

PCB CWT	*	P. C. B INS ASSY	A9377/CWT(ONKYO)/MAIN-MANUAL	1			
PCB CWT	*	HEAT SINK	P656(DOM) P656 AL6063 40MM/SUB	1			NSP
PCB CWT	*	HEAT SINK	HEAT SINK REG TR(24X60)	1			NSP
PCB CWT	CLAMP405	CLAMP	HMX9800(OV)(HAITAI) (W=2.6, L=50)/WIRE(SOLDER)	1	4330000120000S		
PCB CWT	*	SCREW, TAP TITE	+2S 3*8 B-TYPE ZNW/BH	2	B020030081B10S		
PCB CWT	R878 R879 R881 R882	R, CEMENT MPR	RGC5-0.22-J/5W W14*H17	4	C1442R22069000S		
PCB CWT	C809	C, ELECT GE 85C	2200UF-M/16V, 12.5*20-BULK UVR1C222MHD (NICHICON)	1		394642227S	
PCB CWT	C813	C, ELECT GE 85C	2200UF-M/35V, 16*25-BULK UVR1V222MHD (NICHICON)	1		394662227S	
PCB CWT	C814	C, ELECT GE 85C	3300UF-M/35V, 16*35.5-BULK UVR1V332MHD (NICHICON)	1		394663327S	
PCB CWT	C824 C825	C, ELECT GE 85C	8200UF-M/63V, 30*50-BULK LLS1J822MESNOC (NICHICON)	2		3504420	!
PCB CWT	L702 L703	COIL, FILTER-INDUCTOR	0.5UH-BULK	2	D330R50000000S		
PCB CWT	JACK717	JACK, D3.5	EARPHONE JACK PJ-308-02	1	G40130802000YS		
PCB CWT	JACK100	TER, RCA 2PIN	RCA-207AE-02 NI(WH, RD)	1	G601207AE020YS		
PCB CWT	JACK105 JACK106	TER, RCA 4PIN	RCA-405B-04(WH, WH, RD, RD)-YUQIU	2	G602405B0400YS		
PCB CWT	JACK104	TER, RCA 6PIN	RCA-603B-05(WH, WH, WH, RD, RD, RD)-YUQIU	1	G603603B05000S		
PCB CWT	*	TER, BOARD SCREW 8P	JB-801A-06(RD, BK, BK, RD-RD, BK, BK, RD)	1	G614801A0600YS		
PCB CWT	RL702 RL703	RELAY	HL3-2A-12S 12V 5A 1회로 2접점	2	G680120503020S		
PCB CWT	RL701	RELAY	BC3-12 24V 2A 2회로 2접점(SMALL SIGNAL)	1	G680240202030S		
PCB CWT	IC708	IC, LINEAR-REGULATOR	KIA7805API, 20W-T0220IS MOLD	1		222780054JRC	
PCB CWT	IC712	IC, LINEAR-REGULATOR	KIA7812API, 20W-T0220IS MOLD	1		222780124JRC	
PCB CWT	IC707	IC, LINEAR-REGULATOR	KIA7815API, 20W-T0200IS	1	222780155KEC	222780154JRC	
PCB CWT	IC706	IC, LINEAR-REGULATOR	KIA7915PI, 20W-T0220IS MOLD	1	222790155KEC	222790154JRC	
PCB CWT	Q733 Q735	SEMI, TR/GE PNP 2SA	2SA1930 20W/2-10RIA	2		2203000	
PCB CWT	Q734 Q736	SEMI, TR/GE NPN 2SC	2SC5171 20W/2-10RIA	2		2203010	
PCB CWT	BD701	D, RECTIFIER BRIDGE	KBPC604 6A	1	K047604000020S		!
PCB CWT	CP703 CP715	CN, WAFER 2.0MM	20010WS-03A00 DIP3P STRAIGHT	2	L101200100310S		
PCB CWT	CP705	CN, WAFER 2.0MM	20010WS-05A00 DIP5P STRAIGHT	1	L101200100510S		
PCB CWT	CP704	CN, WAFER 2.0MM	20010WS-06A00 DIP6P STRAIGHT	1	L101200100610S		
PCB CWT	CP701	CN, WAFER 2.0MM	20010WS-10A00 DIP10P STRAIGHT	1	L101200101010S		
PCB CWT	P703 P704	CN, WAFER 2.0MM	53014-0310 3P	2	L101530140310S		
PCB CWT	CP709	CN, WAFER 2.5MM	SMW250-2P/연호, ST	1	L102020010020S		
PCB CWT	CP707	CN, WAFER 2.5MM	5267-05A 5P	1	L102526700500S		
PCB CWT	CP708	CN, WAFER 7.92MM	35328-0360, 7.92MM HEADER, VER.3CKT	1	L108353280360S		
PCB CWT	*	P. C. B INS ASSY	A9377/CWT(ONKYO)/MAIN-RADIAL	1			
PCB CWT	R750 R751 R774 R775	R, METAL FILM 100PPM	10-J, 1/4W-R, REEL	4	C060010063050S		!
PCB CWT	R904 R905	R, METAL FILM 100PPM	390-J, 1W-R, REEL	2	C060039165050S		!
PCB CWT	R831 R834	R, METAL FILM 100PPM	56-J, 1W-R, REEL	2	C060056065050S		!
PCB CWT	R837 R840	R, METAL FILM 100PPM	68-J, 1W-R, REEL	2	C060068065060S		!
PCB CWT	R755 R756	R, METAL FILM 100PPM	680-J, 1/4W-R, REEL	2	C060068163060S		!
PCB CWT	R754 R757 R839 R842 R843 R845 R846 R848 R868 R871	R, METAL FILM 100PPM	82-J, 1W-R, REEL	10	C060082065050S		!
PCB CWT	R863 R866	R, METAL FILM 100PPM	2, 2-J, 1/4W-R, REEL	2	C0602R2063050S		!
PCB CWT	R895 R902	R, METAL FILM 100PPM	2, 2-J, 1W-R, REEL	2	C0602R2065050S		!
PCB CWT	R850 R856	VR, SEMI CARBON MOLD	EVN-DJAA03B23/REEL	2		5210390T	
PCB CWT	C827 C829	C, CERAMIC T. C DISC	SL2PF-C/50V-5RE	2		345020201T	
PCB CWT	C705 C706 C707 C708 C711 C712 C713 C714 C765 C766 C799 C801 C832 C834	C, CERAMIC HIK DISC	SL100PF-J/50V-5RE	14		345021014T	
PCB CWT	C717 C718	C, CERAMIC HIK DISC	SL470PF-J/50V-5RE	2		345024714T	
PCB CWT	C857 C858 C859 C860 C862 C863	C, FILM POLYESTER	ST-0.001UF-I/100V-5RE	6	D02010206C060S		
PCB CWT	C780 C793 C797	C, FILM POLYESTER	MI-0.01UF-J/50V-5RE ECQV1H103JL3 (PANASONIC)	3		374721034T	
PCB CWT	C842 C843 C848 C849	C, FILM POLYESTER	ST-0.1UF-J/100V-5RE	4	D02010406C060S		
PCB CWT	C723 C725 C731 C732	C, FILM POLYESTER	ST-0.0015UF-J/100V-5RE	4	D02015206C060S		
PCB CWT	C719 C720 C721 C771 C772 C850	C, FILM POLYESTER	MI-0.022UF-J/50V-5RE ECQV1H223JL3 (PANASONIC)	6		374722234T	
PCB CWT	C821 C823 C830 C831 C836 C846 C847	C, FILM POLYESTER	MI-0.047UF-J/50V-5RE ECQV1H473JL3 (PANASONIC)	7		374724734T	
PCB CWT	C738 C751	C, FILM POLYESTER	RED-0.47UF-K/63V-5RE	2	D020474078060S		
PCB CWT	C728 C730	C, FILM POLYESTER	ST-0.0068UF-J/100V-5RE	2	D02068206C060S		
PCB CWT	C749 C750 C844	C, ELECT GE 85C	1UF-M/50V, 5*11-5RE. SY (Pb Free)	3	D040010087150S		
PCB CWT	C733 C734 C783 C784 C788 C789 C804 C826 C828 C840 C841	C, ELECT GE 85C	10UF-M/50V, 5*7-5RE SY (Pb Free)	11	D040100087080S		

PCB CWT	C845	C, ELECT GE 85C	100UF-M/25V, 6. 3*11-5RE. SY	1	D040101084060S		
PCB CWT	C735 C737	C, ELECT GE 85C	22UF-M/50V, 5*11-5RE. SY	2	D040220087060S		
PCB CWT	C727 C729	C, ELECT GE 85C	220UF-M/10V, 6. 3*11-5RE. SMS-SY (Pb Free)	2	D040221082090S		
PCB CWT	C747 C748 C763 C764 C817 C818	C, ELECT GE 85C	220UF-M/25V, 8*11. 5-5RE. SY	6	D040221084060S		
PCB CWT	C739 C744 C745 C746 C753 C754 C755 C756 C773 C774 C798 C800	C, ELECT GE 85C	47UF-M/25V 5*11-5RE. SY	12	D040470084070S		
PCB CWT	C724 C726 C794 C795	C, ELECT GE 85C	47UF-M/50V, 6. 3*11-5RE. SY (Pb Free)	4	D040470087070S		
PCB CWT	C785 C786	C, ELECT GE 85C	47UF-M/63V, 6. 3*11-5RE UVR1J470MDD (NICHICON)	2		394674707T	
PCB CWT	C741 C743	C, ELECT GE 85C	470UF-M/10V, 6. 3*11-5RE	2	D040471082060S		
PCB CWT	C782	C, ELECT GE 85C	0. 22UF-M/50V, 5*11-5RE. SY	1	D040R22087070S		
PCB CWT	Q745	SEMI, TR/GE PNP 2SA	2SA970-GR, 0. 3W/TO92-REEL	1		2211395T	
PCB CWT	Q702	SEMI, TR/GE PNP 2SA	2SA1015-Y 0. 4W/TO-92 REEL	1		2211454T	
PCB CWT	Q721 Q722 Q723 Q724 Q726 Q728	SEMI, TR/GE PNP 2SA	2SA949-Y 0. 8W/TO-92M REEL	6		2211354T	
PCB CWT	Q729 Q730 Q731 Q732	SEMI, TR/GE NPN 2SC	2SC1740SR, 0. 3W/TO92M-REEL	4		2213284T	
PCB CWT	Q703	SEMI, TR/GE NPN 2SC	2SC1815-Y 0. 4W/TO-92 REEL	1		2211254T	
PCB CWT	Q725 Q727 Q742 Q743	SEMI, TR/GE NPN 2SC	2SC2229-Y 0. 8W/TO-92M REEL	4		2211639T	
PCB CWT	Q716 Q718 Q719 Q720 Q741 Q744	SEMI, TR/GE NPN 2SC	2SC2240-BL 0. 3W/TO-92 REEL	6		2211406T	
PCB CWT	Q715 Q717	SEMI, TR/GE NPN 2SC	2SC2240-GR, 0. 3W/TO92-REEL	2		2211405T	
PCB CWT	Q713 Q714	SEMI, TR/GE NPN 2SC	2SC2458-GR 0. 2W/TO-92 REEL	2		2212115T	
PCB CWT	Q748	SEMI, TR/GE NPN 2SC	KTC3198Y, 0. 6W/TO92-REEL	1		2215984T	
PCB CWT	R867 R869 R870 R872	R, FIXED, M. O.	RSD-R1-1WJ-10 3*9 P=5MM SMALL R. REEL	4	N113135610020S		
PCB CWT	*	P. C. B INS ASSY	A9377/CWT(ONKYO)/MAIN-SMD	1			
PCB CWT	R808 R819 R820 R908	R, CHIP THICK	10K-J, 1/16W-1608REEL	4	C20001036M160S		
PCB CWT	C853 C854	C, CERAMIC CHIP HIK	X7R) 0. 01UF-K/50V-1608REEL TDK	2	D011103777162S		
PCB CWT	IC709	IC, ELECT VR	R2S15211FP 8CH-VOL WITH 11 INPUT QFP80P	1		22242297R3	
PCB CWT	IC704	IC, LINEAR OP	NJM2068M-SOP8P	1		22240051R2	
PCB CWT	IC701	IC, LINEAR OP	NJM4565MD-SOP8P	1		22241383R2	
PCB CWT	Q709	SEMI, CHIP TR/PNP 2SA	KRA101S R1, R2=4. 7K 0. 2W/SOT-23 REEL	1	J520010100010S		
PCB CWT	Q705 Q746 Q747	SEMI, CHIP TR/NPN 2SC	KRC105S (NE) 0. 2W/SOT-23 REEL	3		2217290R2	
PCB CWT	Q706 Q707 Q710 Q711	SEMI, CHIP TR/NPN 2SC	KTC2875B(MB) 0. 15W/LOW-ON-RES SOT23 (RTK) -REEL	4	J5222875B0010S		
PCB CWT	D703 D704 D714 D715 D737	D, SWITCHING CHIP	KDS4148U FAST SWITCHING SOD-323(USC)	5		223283R2	
PCB CWT	Q71-2	P. C. B SLB ASSY	A9377/CP(ONKYO)/POWER	1	7028068112010		
PCB CWT	*	P. C. B INS ASSY	A9377/CWT(ONKYO)/POWER-AXIAL	1			
PCB CWT	D201 D202 D203 D204	D, SWITCHING	1N4007 52REEL 1000V 1A	4	K000400700010S		
PCB CWT	J825 J827 J828	CN, WIRE 1P	JUMPER (0. 6/52MM)	3	L045084006040S		
PCB CWT	*	P. C. B INS ASSY	A9377/CWT(ONKYO)/POWER-MANUAL	1			
PCB CWT	BKT1	BRACKET	AVR133(HARMAN) BURRING HOLE SPT 0. 8t/SCREW	1	4010210196100S		
PCB CWT	SUB201	POWER TRANS	VXS819K-RFLXCN 110-127, 220-240V/50-60HZ 28*15/STBY	1	8200280150610S		!
PCB CWT	RUG1	RING, TER WIRE	60MM/1P 7542-B5 (4. 2)=B1813TOP-02 BK1007#18	1	8410600010080S		
PCB CWT	C206	C, CERAMIC AC(SAFETY)	SCP2E472M10FF7 0. 0047UF 250VAC 7. 5MM-REEL	1	D00847208H010S		!
PCB CWT	C204	C, ELECT GE 85C	2200UF-M/16V, 12. 5*20-BULK UVR1C222MDD (NICHICON)	1		394642227S	
PCB CWT	JACK401	SOCKET, POWER RECEP	A304D0070P 2P (220V)	1	G435304D00700S		!
PCB CWT	RLY201	RELAY	HL3-1A-6SH DC6V 1A 1회로 1접점 (POWER)	1	G680060102020S		!
PCB CWT	CN211	CN, WAFER 2. 5MM	5267-04A 4P	1	L102526700400S		
PCB CWT	CP211	CN, WAFER 7. 92MM	YW396 (05AV) 3P ST	1	L108039605010S		!
PCB CWT	CP206	CN, WAFER 7. 92MM	YW396 (09AV) 5P ST	1	L108039609010S		!
PCB CWT	CP208	CN, WAFER 7. 92MM	PLUG JE202B1T2 ST2P 3-B2	1	L108202000220S		!
PCB CWT	CP207	CN, WAFER 7. 92MM	35328-0263, 7. 92MM HEADER, VER, 2CKT, YEL	1	L108353280290S		!
PCB CWT	CP1	CN, WAFER 7. 92MM	35328-0560, 7. 92MM HEADER, VER, 5CKT	1	L108353280560S		
PCB CWT	F201 F202	FUSE GLASS TUBE 20MM	T2. 5A /250V-SVBRTC(K) 218	2		252075GR	!
PCB CWT	F203	FUSE GLASS TUBE 20MM	T4A /250V-SVBRTC(K) 218	1		252077GR	!
PCB CWT	*	P. C. B INS ASSY	A9377/CWT(ONKYO)/POWER-RADIAL	1			
PCB CWT	R206	R, METAL FILM 100PPM	82-J, 1W-R. REEL	1	C060082065050S		!
PCB CWT	C203	C, ELECT GE 85C	1UF-M/50V, 5*11-5RE UVR1H010MDD (NICHICON)	1		394680107T	
PCB CWT	C205	C, ELECT GE 85C	3. 3UF-M/50V, 5*11-5RE SY	1	D0403R3087050S		
PCB CWT	F201A2 F201B2 F202A1 F202B1 F203A2 F203B2	HOLDER, FUSE CLIP	P15. 2-REEL	6	G645000050010S		!
PCB CWT	*	P. C. B INS ASSY	A9377/CWT(ONKYO)/POWER-SMD	1			
PCB CWT	R369	R, CHIP THICK	4. 7K-J, 1/16W-1608REEL	1	C20004726M160S		
PCB CWT	R370	R, CHIP THICK	47K-J, 1/16W-1608REEL	1	C20004736M160S		
PCB CWT	Q316	SEMI, CHIP TR/NPN 2SC	KTC3875S 0. 15W SOT-23 REEL	1		2216175R2	
PCB CWT	D205 D206 D207	D, SWITCHING CHIP	1N4148W FAST SWITCHING SOD-323	3	K005041480020S		

PCB CWT	001-1	P. C. B SUB ASSY	A9377/CPP(ONKYO)/VOL_SEL	1	7028068113010		
PCB CWT	*	P. C. B INS ASSY	A9377/CWT(ONKYO)/VOL_SEL-AXIAL	1			
PCB CWT	*	P. C. B INS ASSY	A9377/CWT(ONKYO)/VOL_SEL-MANUAL	1			
PCB CWT	*	P. C. B	A-9377 97*97 1.6T FRI ARRY (20)/VOLTAGE SELECTOR	1			
PCB CWT	S/W202	SW, SLIDE	EV-32-91A-4U 10A/250V VOLTAGE SELECTOR SWITCH	1	G060329140000S		!
PCB CWT	CN222	CN, WIRE	120MM/5P CKM3962-09=CKM99050101-09 WH1617#22 CROSS	1	L000121050110S		!
PCB CWT	CN203	CN, WIRE	150MM/3P CKM3962-05=CKM99050101-05 WH1617#22 CROSS	1	L000151030180S		!
PCB CWT	*	P. C. B INS ASSY	A9377/CWT(ONKYO)/VOL_SEL-RADIAL	1			
PCB CWT	*	P. C. B INS ASSY	A9377/CWT(ONKYO)/VOL_SEL-SMD	1			
PCB CWT	*	P. C. B SUB ASSY	A9377/CPP(ONKYO)/CLAMP_A	1			
PCB CWT	*	P. C. B INS ASSY	A9377/CPP(ONKYO)/CLAMP_A-MANUAL	1			
PCB CWT	CLAMP401 CLAMP402	CLAMP	HMX9800(ON)(HAITAI) (W=2.6, L=50)/WIRE(SOLDER)	2			NSP
PCB CWT	*	P. C. B SUB ASSY	A9377/CPP(ONKYO)/CLAMP_B	1			
PCB CWT	*	P. C. B INS ASSY	A9377/CPP(ONKYO)/CLAMP_B-MANUAL	1			
PCB CWT	CLAMP403 CLAMP404	CLAMP	HMX9800(ON)(HAITAI) (W=2.6, L=50)/WIRE(SOLDER)	2			NSP
PCB CWT	002	P. C. B TOTAL ASSY	A9377/CWT(ONKYO)/FRONT *	1	7025HA0802011		
PCB CWT	003-1	P. C. B SUB ASSY	A9377/CPP(ONKYO)/FRONT	1	7028068121010		
PCB CWT	*	P. C. B INS ASSY	A9377/CWT(ONKYO)/FRONT-AXIAL	1			
PCB CWT	*	P. C. B	A-9377(ONKYO) 330*247 1.6T FRI ARRY (2)/FRONT	1			
PCB CWT	L301	COIL, FILTER-INDUCTOR	47UH-Q45/20M-R4, 0-52RE LAL04TB	1	D330470104010S		
PCB CWT	D313	D, ZENER	MTZJ5. 1B-0. 5W/5MA-52MM	1		224470512T	
PCB CWT	D308	D, ZENER	MTZJ5. 6B-0. 5W/5MA-52MM	1		224470562T	
PCB CWT	*	P. C. B INS ASSY	A9377/CWT(ONKYO)/FRONT-MANUAL	1			
PCB CWT	BASS	VR, ROTARY 14MM	RK14K124007A-100KC*2 CURVE	1	C454121400100S		
PCB CWT	BALANCE	VR, ROTARY 14MM	RK14K1240-250KMN CURVE	1	C454122300100S		
PCB CWT	TREBLE	VR, ROTARY 14MM	RK14K124004Z-50KC*2 CURVE	1	C454125300100S		
PCB CWT	SPK_SEL	SW, ROTARY	SRBV141201 POSITION=4 CLICK=3 SHAFT L=20MM	1	G120141201010S		
PCB CWT	REC_SEL	SW, ROTARY	SRBV170501 POSITION=7 CLICK=6 SHAFT L=20MM	1	G120170501010S		
PCB CWT	INPUTSEL	SW, ENCODER	SRRM1C7800 L=20MM CLICK=12 ENDLESS CUTTING SHAFT	1		25030424	
PCB CWT	IC303	IC, LINEAR-DRIVER	IC TA7291S	1		22240239	
PCB CWT	D309	LED, ROUND	WEJ314RD-741 3PI RED P=2. 54 BULK	1	K500032001010S		
PCB CWT	D310 D311 LED302 LED303 LED304 LED305 LED306 LED307	LED, ROUND	WEJ3Z4YOT-D02 3PI YELLOW ORANGE P=2. 54	8	K500033000050S		
PCB CWT	LED301	LED, ROUND	WEJ3Z4YOT-823-D02 3PI YELLOW ORANGE P=2. 54	1	K500033000060S		
PCB CWT	CN315	CN, WIRE	330MM/4P 5264-04=CKM2509HR-04 WH1007#22 接続	1	L000331040020S		
PCB CWT	CN313	CN, WIRE 2MM	200MM/5P 20010HS-05=CKM2002HR-05 WH1007#26 接続	1	L002201052630S		
PCB CWT	CN312	CN, WIRE 2MM	260MM/6P 20010HS-06=CKM2002HR-06 WH1007#26 接続	1	L002261062630S		
PCB CWT	CN311	CN, WIRE 2MM	270MM/3P 20010HS-03=CKM2002HR-03 WH1007#26 接続	1	L002271030010S		
PCB CWT	CN401	CN, WIRE 2MM	270MM/10P 20010HS-10=CKM2002HR-10 WH1007#26 接続	1	L002271100020S		
PCB CWT	CN301	CN, WIRE 2MM	50MM/3P 20010HS-03=CKM2002HR-03 WH1007#26	1	L002500030070S		
PCB CWT	CN314	CN, WIRE 2MM	60MM/5P 20010HS-05=CKM2002HR-05 WH1007#26	1	L002600050040S		
PCB CWT	CP303	CN, WAFER 2. 0MM	20010WR-08A00 DIP8P RIGHT ANGLE	1	L101200100820S		
PCB CWT	*	P. C. B INS ASSY	A9377/CWT(ONKYO)/FRONT-RADIAL	1			
PCB CWT	R422 R424	R, METAL FILM 100PPM	22-J, 1/4W-R, REEL	2	C060022063050S		
PCB CWT	C302 C312 C313	C, FILM POLYESTER	MI-0. 01UF-J/50V-5RE ECQV1H103JL3 (PANASONIC)	3		374721034T	
PCB CWT	C411 C414	C, FILM POLYESTER	MI-0. 012UF-J/50V-5RE ECQV1H123JL3 (PANASONIC)	2		374721234T	
PCB CWT	C408 C409	C, FILM POLYESTER	RED-0. 22UF-J/63V-5RE (E12 SERIES)	2	D020224068120S		
PCB CWT	C407 C410	C, FILM POLYESTER	MI-0. 047UF-J/50V-5RE ECQV1H473JL3 (PANASONIC)	2		374724734T	
PCB CWT	C412 C413	C, FILM POLYESTER	MI-0. 082UF-J/50V-5RE ECQV1H823JL3 (PANASONIC)	2		374728234T	
PCB CWT	C306 C320	C, ELECT GE 85C	1UF-M/50V, 5*11-5RE UVR1H10MDD (NICHICON)	2		394680107T	
PCB CWT	C303 C305	C, ELECT GE 85C	10UF-M/50V, 5*11-5RE UVR1H100MDD (NICHICON)	2		394681007T	
PCB CWT	C618	C, ELECT GE 85C	100UF-M/16V, 5*11-5RE, SHL	1	D040101083090S		
PCB CWT	C301 C304 C314	C, ELECT GE 85C	100UF-M/16V, 5*11-5RE UVR1C101MDD (NICHICON)	3		394641017T	
PCB CWT	C415 C416	C, ELECT GE 85C	220UF-M/25V, 6*11(SHL TYPE) SY	2	D040221084600S		
PCB CWT	C307	C, ELECT GE 85C	330UF-M/6. 3V, 6. 3*11-5RE UVR0J331MED (NICHICON)	1		394623317T	
PCB CWT	C401 C402 C403 C404 C405 C406	C, ELECT GE 85C	47UF-M/25V 5*11-5RE, SY	6	D040470084070S		
PCB CWT	C316	C, ELECT GE 85C	6. 8UF-M/50V, 5*11-5RE SHL SY	1	D0406R8087050S		
PCB CWT	C308	C, DOUBLE LAYER(70)	0. 22F/5. 5V-5RE FMOH224ZF -TP18 11. 5*10. 5 (REEL)	1	D090R22902400S		
PCB CWT	SW301	SW, TACT	SKHV10910D01 KB581/LG 160G	1	G180040500010S		
PCB CWT	R301	R, FIXED, M. O.	RSD-R1-1WJ-22 3*9 P=5MM SMALL R. REEL	1	N113135622020S		!
PCB CWT	*	P. C. B INS ASSY	A9377/CWT(ONKYO)/FRONT-SMD	1			

PCB	CWT	R313 R322	R,CHIP THICK	0-J, 1/16W-1608REEL	2	C20000006M160S		
PCB	CWT	R309 R315 R321 R333 R339 R350	R,CHIP THICK	100-J, 1/16W-1608REEL	6	C20001016M160S		
PCB	CWT	R302 R306 R307 R308 R318 R345 R348 R363 R372 R374 R403 R404 R411 R412	R,CHIP THICK	1K-J, 1/16W-1608REEL	14	C20001026M160S		
PCB	CWT	R304 R305 R310 R311 R365 R369	R,CHIP THICK	10K-J, 1/16W-1608REEL	6	C20001036M160S		
PCB	CWT	R325 R326 R373 R376	R,CHIP THICK	100K-J, 1/16W-1608REEL	4	C20001046M160S		
PCB	CWT	R349	R,CHIP THICK	1.2K-J, 1/16W-1608REEL	1	C20001226M160S		
PCB	CWT	R328 R330 R331 R332 R335 R346 R355 R356 R358 R362	R,CHIP THICK	150-J, 1/16W-1608REEL	10	C20001516M160S		
PCB	CWT	R344 R352	R,CHIP THICK	1.8K-J, 1/16W-1608REEL	2	C20001826M160S		
PCB	CWT	R351	R,CHIP THICK	18K-J, 1/16W-1608REEL	1	C20001836M160S		
PCB	CWT	R312	R,CHIP THICK	20K-J, 1/16W-1608REEL	1	C20002036M160S		
PCB	CWT	R324	R,CHIP THICK	22-J, 1/16W-1608REEL	1	C20002206M160S		
PCB	CWT	R329 R338 R419 R421	R,CHIP THICK	220-J, 1/16W-1608REEL	4	C20002216M160S		
PCB	CWT	R334 R407 R408	R,CHIP THICK	22K-J, 1/16W-1608REEL	3	C20002236M160S		
PCB	CWT	R323 R401 R402	R,CHIP THICK	220K-J, 1/16W-1608REEL	3	C20002246M160S		
PCB	CWT	R347	R,CHIP THICK	270-J, 1/16W-1608REEL	1	C20002716M160S		
PCB	CWT	R314 R336 R357	R,CHIP THICK	2.7K-J, 1/16W-1608REEL	3	C20002726M160S		
PCB	CWT	R366	R,CHIP THICK	330-J, 1/16W-1608REEL	1	C20003316M160S		
PCB	CWT	R327 R354 R371 R417 R423	R,CHIP THICK	3.3K-J, 1/16W-1608REEL	5	C20003326M160S		
PCB	CWT	R337 R360	R,CHIP THICK	390-J, 1/16W-1608REEL	2	C20003916M160S		
PCB	CWT	R343	R,CHIP THICK	3.9K-J, 1/16W-1608REEL	1	C20003926M160S		
PCB	CWT	R317 R319 R320 R359	R,CHIP THICK	47-J, 1/16W-1608REEL	4	C20004706M160S		
PCB	CWT	R340 R341 R361	R,CHIP THICK	470-J, 1/16W-1608REEL	3	C20004716M160S		
PCB	CWT	R405 R406 R409 R414	R,CHIP THICK	4.7K-J, 1/16W-1608REEL	4	C20004726M160S		
PCB	CWT	R303 R316	R,CHIP THICK	47K-J, 1/16W-1608REEL	2	C20004736M160S		
PCB	CWT	R342	R,CHIP THICK	560-J, 1/16W-1608REEL	1	C20005616M160S		
PCB	CWT	R367	R,CHIP THICK	680-J, 1/16W-1608REEL	1	C20006816M160S		
PCB	CWT	R353	R,CHIP THICK	6.8K-J, 1/16W-1608REEL	1	C20006826M160S		
PCB	CWT	R364 R368	R,CHIP THICK	820-J, 1/16W-1608REEL	2	C20008216M160S		
PCB	CWT	C417 C418	C,CERAMIC CHIP T.C	COG100PF-J/50V-1608REEL	2	D011011617160S		
PCB	CWT	C310 C311 C315 C319 C321 C324	C,CERAMIC CHIP HIK	X7R)0.01UF-K/50V-1608REEL TDK	6	D01110377162S		
PCB	CWT	IC302	IC,CPU MICRO PROCESS	UPD78P0536GK(T)-UET-A QFP64 /CR601	1	J020780536000S		FLASH
PCB	CWT	IC401	IC,LINEAR OP	NJM2068M-SOP8P	1		22240051R2	
PCB	CWT	IC301	IC,LINEAR-REGULATOR	IL1117.5.0 SOT-223 5.0V 1A LOW DROPOUT	1	J126111750010S		
PCB	CWT	Q301 Q307	SEMI,CHIP TR/PNP 2SA	KRA101S R1, R2=4.7K 0.2W/SOT-23 REEL	2	J520010100010S		
PCB	CWT	Q303	SEMI,CHIP TR/PNP 2SA	KRA105S (PE) 0.2W/SOT-23 REEL	1	J520010500210S		
PCB	CWT	Q302 Q304 Q305 Q306 Q308 Q309 Q310 Q311 Q312 Q313 Q314 Q315	SEMI,CHIP TR/NPN 2SC	KRC102S (NB) 0.2W/SOT-23 REEL	12		2216190R2	
PCB	CWT	Q317 Q706	SEMI,CHIP TR/NPN 2SC	KTC3875S 0.15W SOT-23 REEL	2		2216175R2	
PCB	CWT	D302 D303 D304 D305 D306 D307 D312	D,SWITCHING CHIP	KDS4148U FAST SWITCHING SOD-323 (USC)	7		223283R2	
PCB	CWT	D301	D,RECTIFIER CHIP	1SR154-400 TE25 (SMD)	1		22380284R2	
PCB	CWT	002-3	P.C.B SUB ASSY	A9377/CPP (ONKYO) /REMOTE	1	7028068122010		
PCB	CWT	*	P.C.B INS ASSY	A9377/CWT (ONKYO) /REMOTE-AXIAL	1			
PCB	CWT	*	P.C.B INS ASSY	A9377/CWT (ONKYO) /REMOTE-MANUAL	1			
PCB	CWT	RM601	MODULE,REMOCON	NJL34H380A 38KHZ 10.2*16.6 P=2.54MM	1		241365	
PCB	CWT	CP304	CN,WAFER 2.0MM	20010WR-03A00 DIP3P RIGHT ANGLE	1	L101200100320S		
PCB	CWT	*	P.C.B INS ASSY	A9377/CWT (ONKYO) /REMOTE-RADIAL	1			
PCB	CWT	*	P.C.B INS ASSY	A9377/CWT (ONKYO) /REMOTE-SMD	1			
PCB	CWT	C609	C,CERAMIC CHIP HIK	X7R)0.01UF-K/50V-1608REEL TDK	1	D01110377162S		
PCB	CWT	002-3	P.C.B SUB ASSY	A9377/CPP (ONKYO) /POWER_S/W	1	7028068123010		
PCB	CWT	*	P.C.B INS ASSY	A9377/CWT (ONKYO) /POWER_S/W-AXIAL	1			
PCB	CWT	*	P.C.B INS ASSY	A9377/CWT (ONKYO) /POWER_S/W-MANUAL	1			
PCB	CWT	S/W201	SW,PUSH	SDDL-005-S (C-UL) 400G	1	G000122006070S		!
PCB	CWT	CN224	CN,WIRE	300MM/2P 35191-02=CKM99050101-03 WH1617#22 7.92MM	1	L000301020100S		!
PCB	CWT	*	P.C.B INS ASSY	A9377/CWT (ONKYO) /POWER_S/W-RADIAL	1			
PCB	CWT	*	P.C.B INS ASSY	A9377/CWT (ONKYO) /POWER_S/W-SMD	1			
PCB	CWT	002-4	P.C.B SUB ASSY	A9377/CPP (ONKYO) /H_P	1	7028068124010		
PCB	CWT	*	P.C.B INS ASSY	A9377/CWT (ONKYO) /H_P-AXIAL	1			
PCB	CWT	*	P.C.B INS ASSY	A9377/CWT (ONKYO) /H_P-MANUAL	1			

PCB	CWT	P902	JACK, D6.5	PHONE (YUQIU) D6.5 SILVER	1	G402PJ619A01YS		
PCB	CWT	CN901	CN, WIRE 2MM	320MM/3P 20010HS-03=CKM2002HV-03 RD2547#26 TUBE	1	L002321030040S		
PCB	CWT	*	P. C. B INS ASSY	A9377/CWT (ONKYO) /H_P-RADIAL	1			
PCB	CWT	C902 C903	C, FILM POLYESTER	ST-0.001UF-J/100V-5RE	2	D02010206C060S		
PCB	CWT	C901	C, FILM POLYESTER	ST-0.1UF-J/100V-5RE	1	D02010406C060S		
PCB	CWT	*	P. C. B INS ASSY	A9377/CWT (ONKYO) /H_P-SMD	1			
PCB	CWT	L901 L902 L903	COIL, BEAD	HB-1M1608-221JT CIM10J221NC 220 OHM	3	D340116082210S		
PCB	CWT	INS-4	P. C. B SUB ASSY	A9377/CPP (ONKYO) /VOLUME	1	7028068125010		
PCB	CWT	*	P. C. B INS ASSY	A9377/CWT (ONKYO) /VOLUME-AXIAL	1			
PCB	CWT	*	P. C. B INS ASSY	A9377/CWT (ONKYO) /VOLUME-MANUAL	1			
PCB	CWT	VOLUME	VR, ROTARY MOTOR 16MM	RK16811MGA07-20KB (MOTOR :N16RGL20KB25M)	1		5142522	
PCB	CWT	CP501	CN, WAFER 2.0MM	20010WS-05A00 DIP5P STRAIGHT	1	L101200100510S		
PCB	CWT	*	P. C. B INS ASSY	A9377/CWT (ONKYO) /VOLUME-RADIAL	1			
PCB	CWT	C501 C502 C503 C504	C, FILM POLYESTER	MI-0.022UF-J/50V-5RE ECQV1H223JL3 (PANASONIC)	4		374722234T	
PCB	CWT	*	P. C. B INS ASSY	A9377/CWT (ONKYO) /VOLUME-SMD	1			
PCB	CWT	R502	R, CHIP THICK	1K-J, 1/16W-160SREEL	1	C20001026M160S		
PCB	CWT	R501	R, CHIP THICK	470K-J, 1/16W-160SREEL	1	C20004746M160S		

ONKYO CORPORATION

Service Dept. Technical Support : 2-1, Nisshin-cho, Neyagawa-shi, OSAKA 572-8540, JAPAN
Tel: 072-831-8023 Fax: 072-831-8163

ONKYO U.S.A. CORPORATION

18 Park Way, Upper Saddle River, N.J. 07458, U.S.A.
Tel: 201-785-2600 Fax: 201-785-2650 <http://www.us.onkyo.com/>

ONKYO EUROPE ELECTRONICS GmbH (DUISBURG OFFICE)

Hafennr.7602, Logport Office-Center, Bliersheimerstr.80B, 47229 Duisburg, Germany
Tel: +49-2065-90198-00 Fax: +49-2065-90198-40 <http://www.eu.onkyo.com/>

ONKYO EUROPE UK Office

Suite 1, Gregories Court, Gregories Road, Beaconsfield, Buckinghamshire, HP9 1HQ
UNITED KINGDOM Tel: +44-(0)1494-681515 Fax: +44(0)-1494-680452

ONKYO CHINA LIMITED

Units 2102-2107, Metroplaza Tower I, 223 Hing Fong Road, Kwai Chung,
N.T., HONG KONG Tel: 852-2429-3118 Fax: 852-2428-9039
<http://www.ch.onkyo.com/>

