

ONKYO SERVICE MANUAL

COMPACT DISC PLAYER MODEL C-7000R(S)/(B)



RC-796C

Black and Silver models

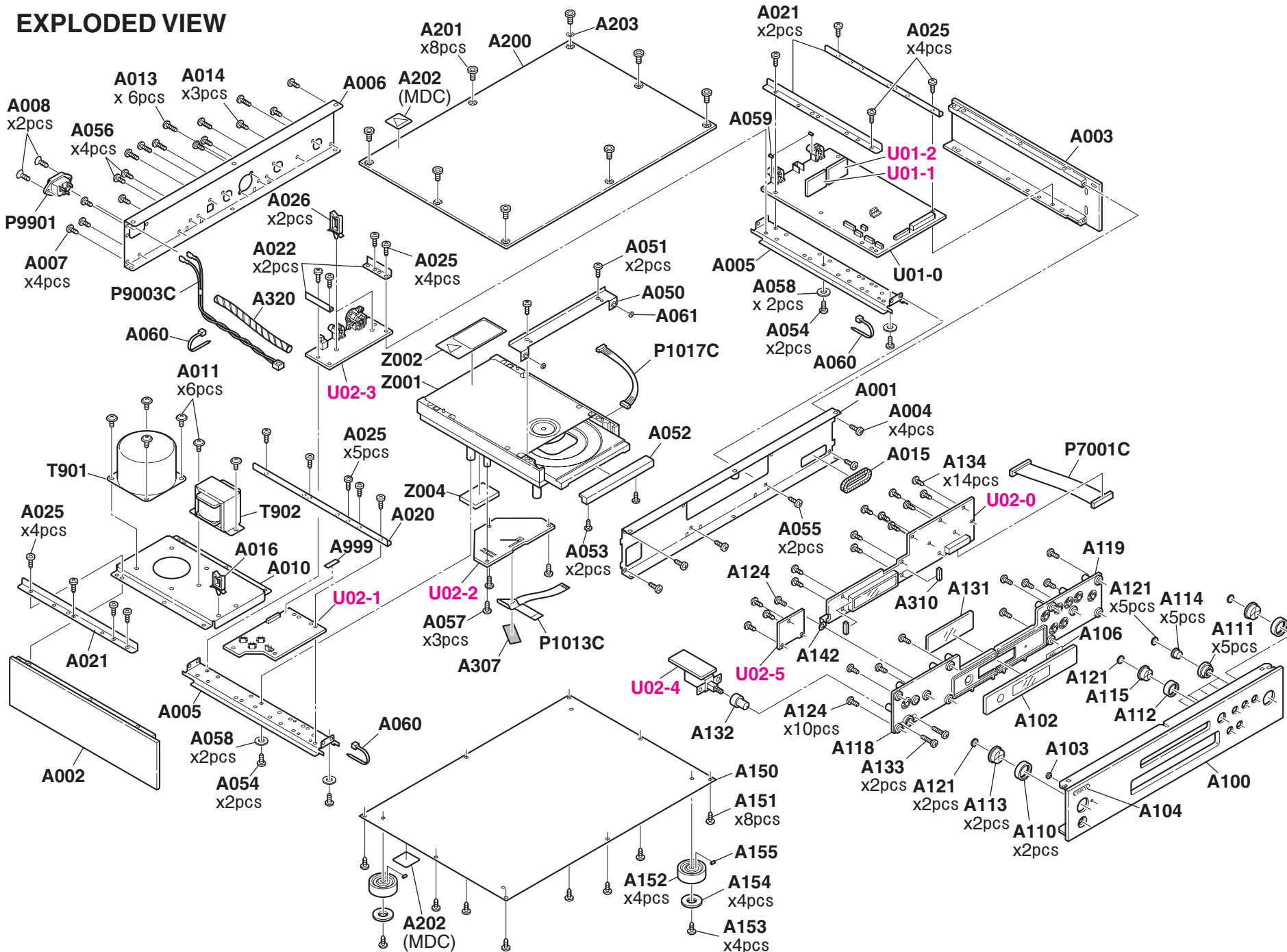
B MPP	230V AC, 50Hz
S MPP	230V AC, 50Hz
B MDC	120V AC, 60Hz

SAFETY-RELATED COMPONENT WARNING!!

COMPONENTS IDENTIFIED BY MARK \triangle ON THE SCHEMATIC DIAGRAM AND IN THE PARTS LIST ARE CRITICAL FOR RISK OF FIRE AND ELECTRIC SHOCK. REPLACE THESE COMPONENTS WITH ONKYO PARTS WHOSE PART NUMBERS APPEAR AS SHOWN IN THIS MANUAL.

MAKE LEAKAGE-CURRENT OR RESISTANCE MEASUREMENTS TO DETERMINE THAT EXPOSED PARTS ARE ACCEPTABLY INSULATED FROM THE SUPPLY CIRCUIT BEFORE RETURNING THE APPLIANCE TO THE CUSTOMER.

EXPLODED VIEW



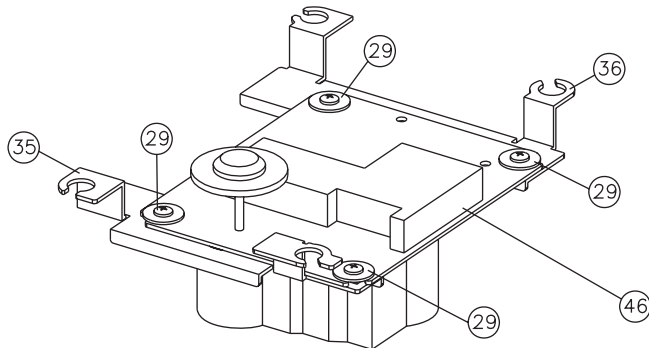
EXPLODED VIEWS OF MECHANISM - 1/4

MECHA. ASS'Y : TC-7000DA (SN 24800062) = (A)+(B)+(C)+(D)+(E)

(A) TRAVERSE MECHA ASSY

TRAVERSE-MECHA-ASSY

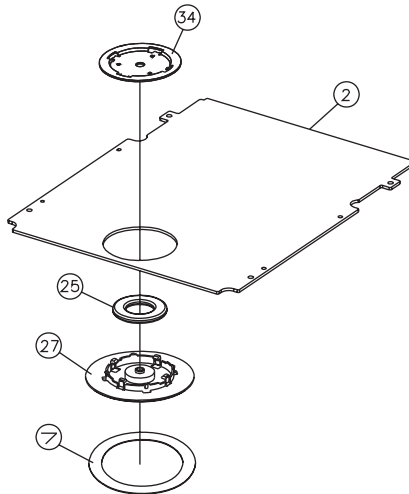
NO.	PARTS CORD	PART NAME	Q'ty
A	---	TRAVERSE-MECHA-ASSY	1
-46	24800060	TRAVERSE MECHA DA11VF	(1)
-29	---	M2.6*8ゲッキφ1.2コネジCR3	(4)
-35	---	FRONT-BRACKET-DA	(1)
-36	---	REAR-BRACKET-DA	(1)



(B) GUIDE-CLAMP-ASSY

GUIDE-CLAMP-ASSY

NO.	PARTS CORD	PART NAME	Q'ty
B	E2AO13A	GUIDE-CLAMP-ASSY	1
-2	---	GUIDE-CLAMP-DA	(1)
-7	---	CLAMPER-SHEET	(1)
-25	---	MAGNET-508	(1)
-27	---	CLAMPER-LO-DA	(1)
-34	---	CLAMPER-HI-7000	(1)

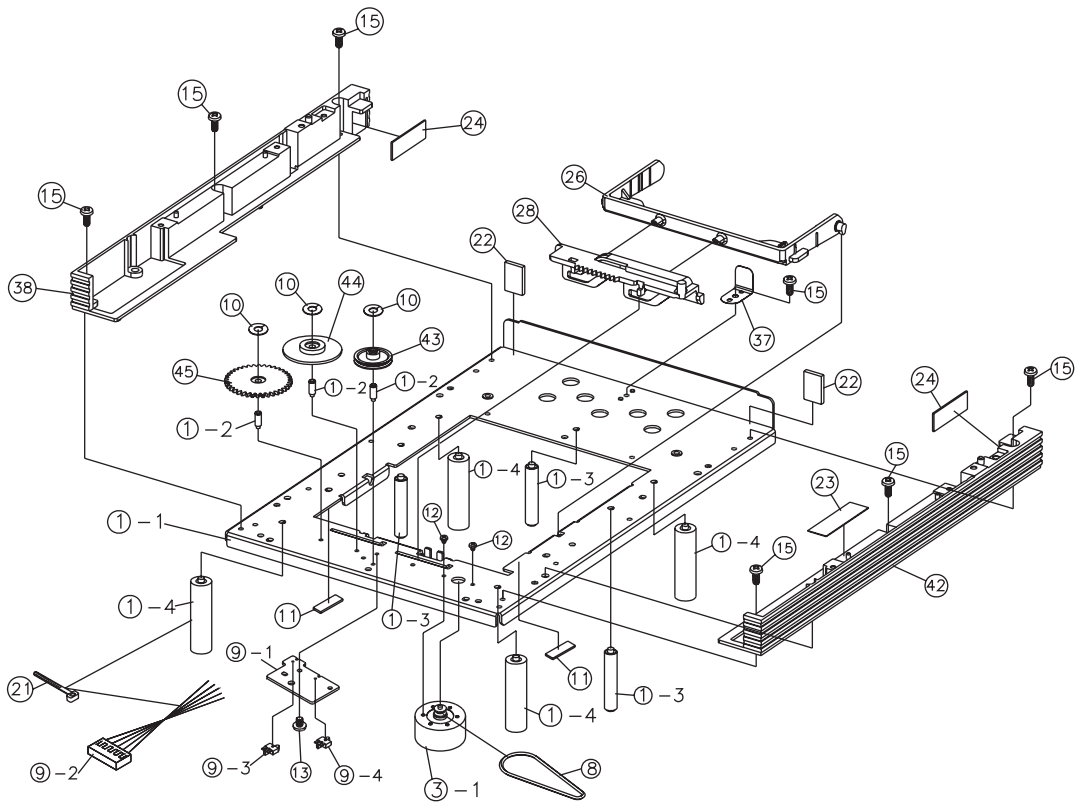


EXPLODED VIEWS OF MECHANISM - 2/4

MECHA. ASS'Y : TC-7000DA (SN 24800062) = (A)+(B)+(C)+(D)+(E)

(C) LOADER-ASSY

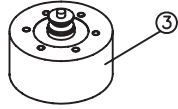
LOADER-ASSY			
NO.	PARTS CORD	PART NAME	Q'ty
C	E2A014A	LOADER-ASSY	1
1-1	---	MAIN-CHASSIS	(1)
1-2	---	PIN LOAD GEAR	(3)
1-3	---	SHAFT-PCB-DA	(3)
1-4	---	SHAFT-MECHA-DA2	(4)
3-1	---	MT MDN3BL3CRA	(1)
8	---	BELT LOAD	(1)
9-1	---	PCB-SW-2H	(1)
9-2	---	CNW-5P-185	(1)
9-3	---	SW_FSE22MH21	(1)
9-4	---	SW_FSE22MH23	(1)
10	---	PSW2.6*6*0.25C	(3)
11	---	RUBBER-CUSHION	(2)
12	---	M1.7*2.2タイミツ3シュコネツCR3	(2)
13	---	M2*3タイミツ3シュタイトCR3	(1)
15	---	M2.6*6バインドタイトCR3	(7)
21	---	ナイロンバンド(80MM)	(1)
22	---	TRAY-CUSHION	(2)
23	---	PET-SHEET-0.2	(1)
24	---	SHEET-R	(2)
26	---	ARM-TRV-CHAS-DA	(1)
28	---	SLIDE-CAM-DA	(1)
37	---	SPG-1	(1)
38	---	GUIDE-CHASSIS-L	(1)
42	---	GUIDE-CHASSIS-R	(1)
43	---	GEAR-LOAD-H	(1)
44	---	GEAR 2ND LOAD	(1)
45	---	GEAR 3ND LOAD	(1)



EXPLODED VIEWS OF MECHANISM - 3/4

MECHA. ASS'Y : TC-7000DA (SN 24800062) = (A)+(B)+(C)+(D)+(E)

(D) ASSY-MOTOR-LOAD



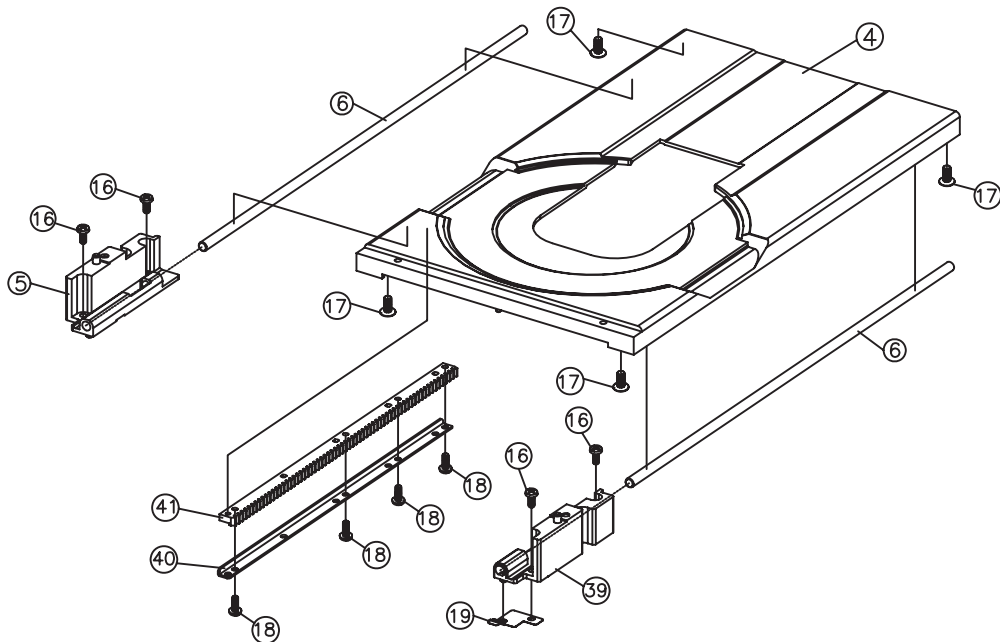
ASSY-MOTOR-LOAD

NO.	PARTS CORD	PART NAME	Q'ty
3	C2A003	ASSY-MOTOR-LOAD	1
-1	---	MT MDN3BL3CRA	(1)
-2	---	PULLEY-LOAD-MOTOR	(1)

(E) ASSY-TRAY

ASSY-TRAY

NO.	PARTS CORD	PART NAME	Q'ty
E	---	ASSY-TRAY	1
-4	---	TRAY	(1)
-5	---	SHAFT-GUIDE-L	(1)
-6	---	TRAY-SHAFT	(2)
-16	---	M2.6*6 ⁺ スクリットCR3	(4)
-17	---	M2.6x5-スクリット-(シリ)CR3	(4)
-18	---	M2x6 ⁺ スクリットCR3	(4)
-19	---	PLATE-A	(1)
-39	---	SHAFT-GUIDE-R	(1)
-40	---	RACK-GUIDE	(1)
-41	---	TRAY-RACK	(1)

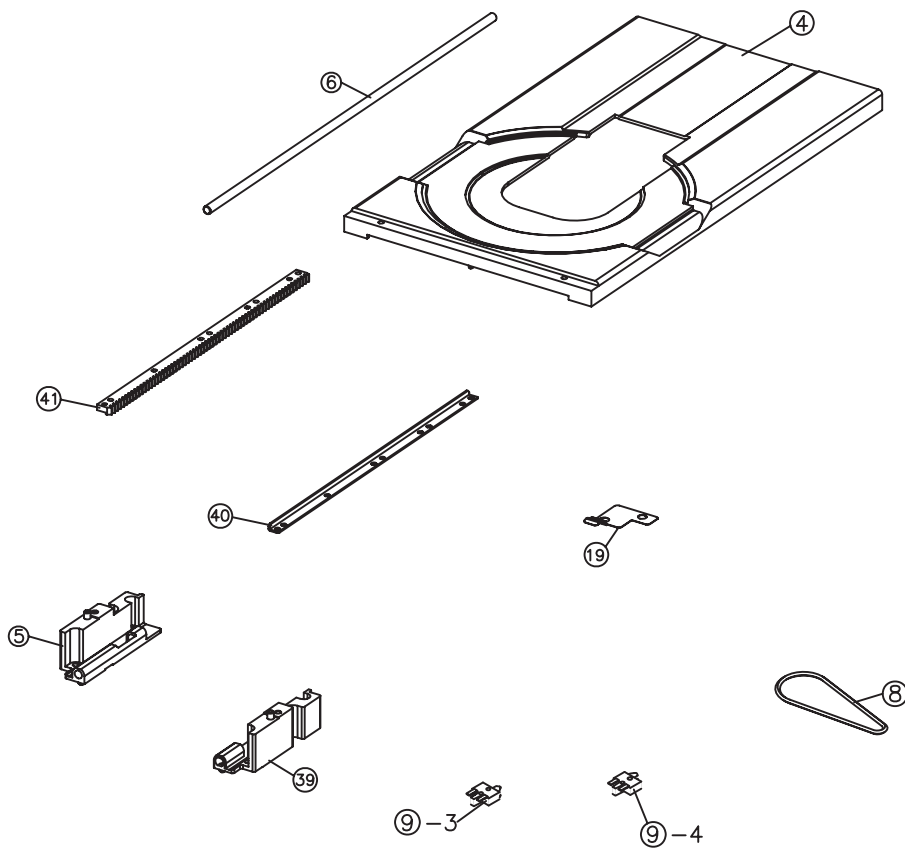


EXPLODED VIEWS OF MECHANISM - 4/4

MECHA. ASS'Y : TC-7000DA (SN 24800062) = (A)+(B)+(C)+(D)+(E)

单品供給部品

NO.	PARTS CORD	PART NAME
4	E2G016	TRAY
5	E2G003	SHAFT-GUIDE-L
6	E2H005	TRAY-SHAFT
8	B9G015	BELT LOAD
9-3	S01W204	SW ESE22MH21
9-4	S01W205	SW ESE22MH23
19	E2P024	PLATE-A
39	E2G004	SHAFT-GUIDE-R
40	E2P001	RACK-GUIDE
41	E2G001	TRAY-RACK



BLOCK DIAGRAMS

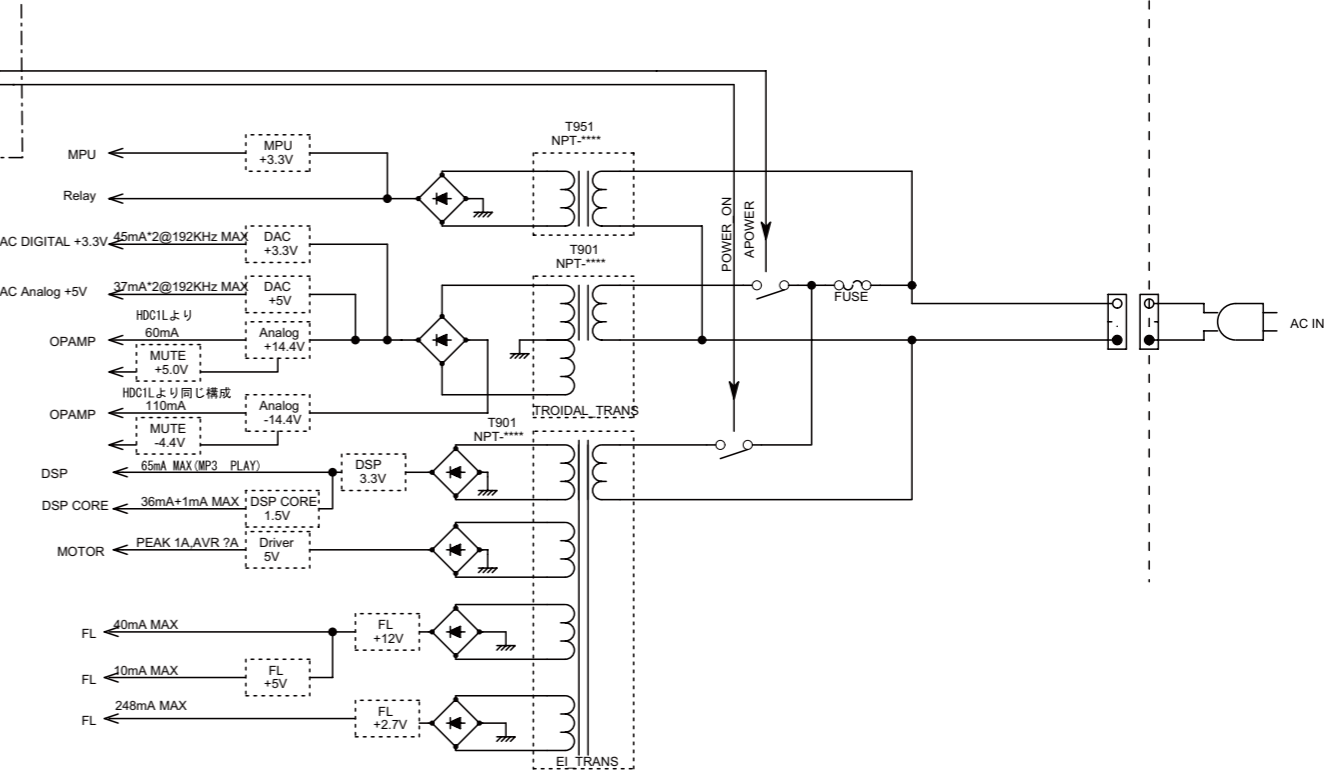
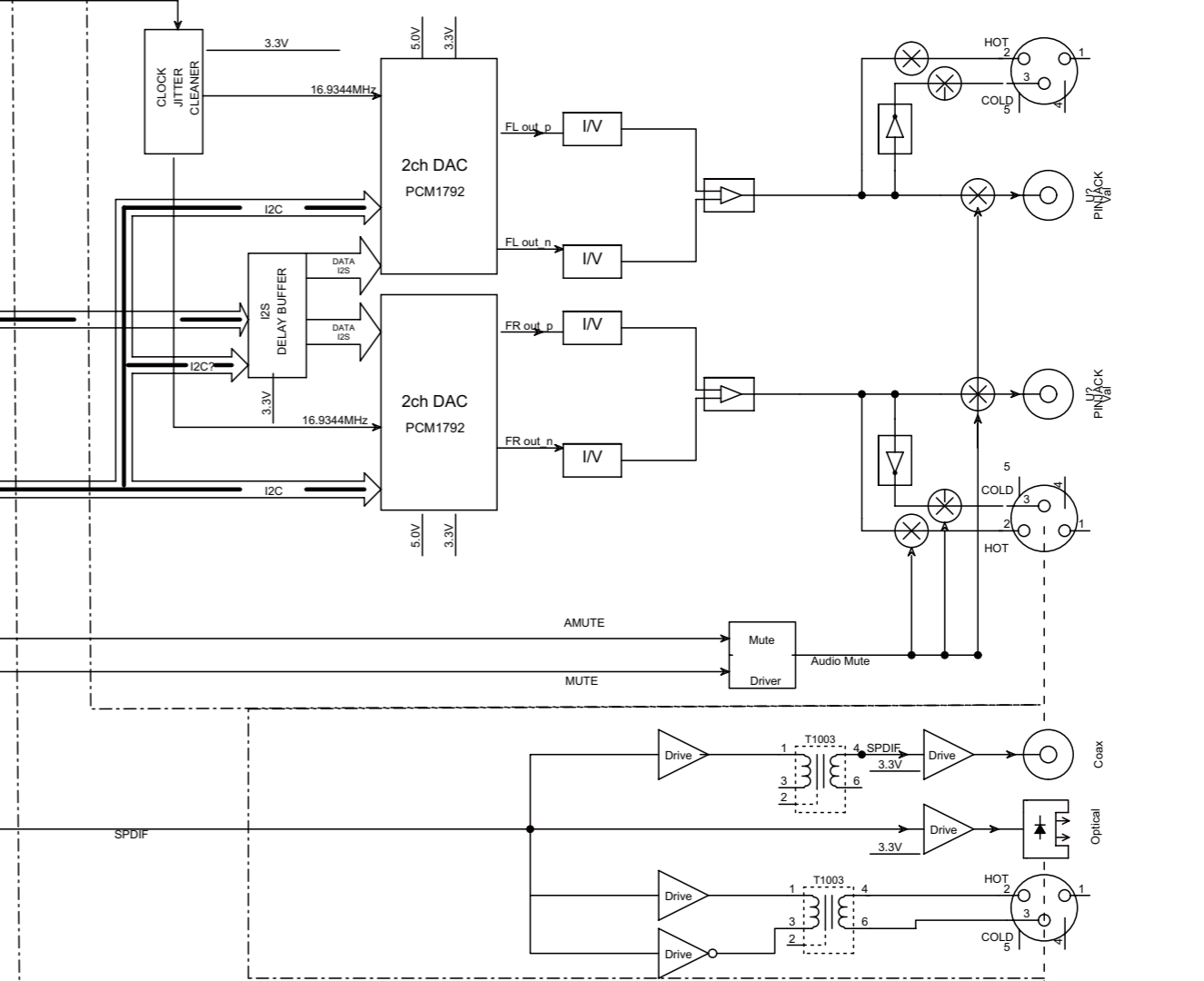
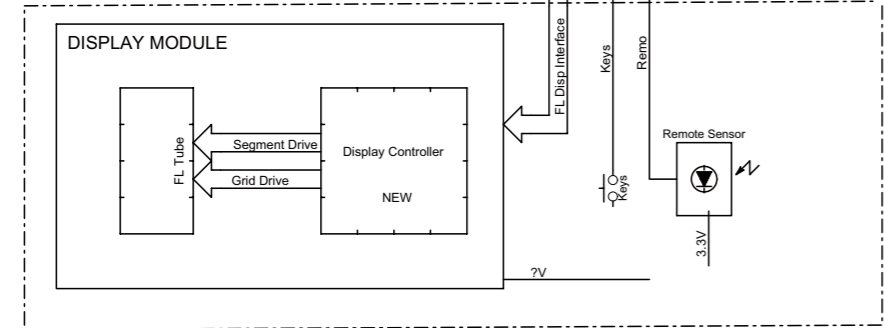
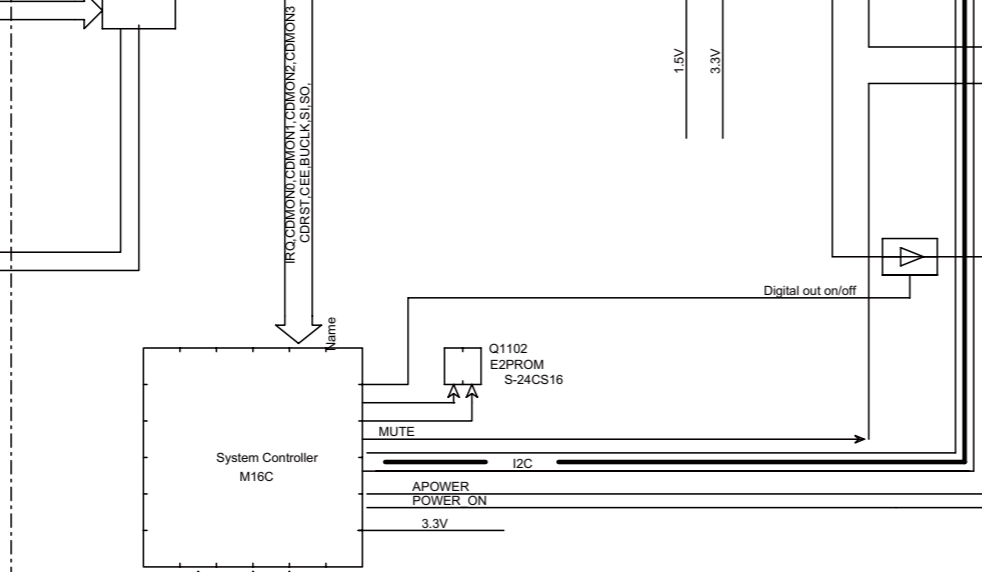
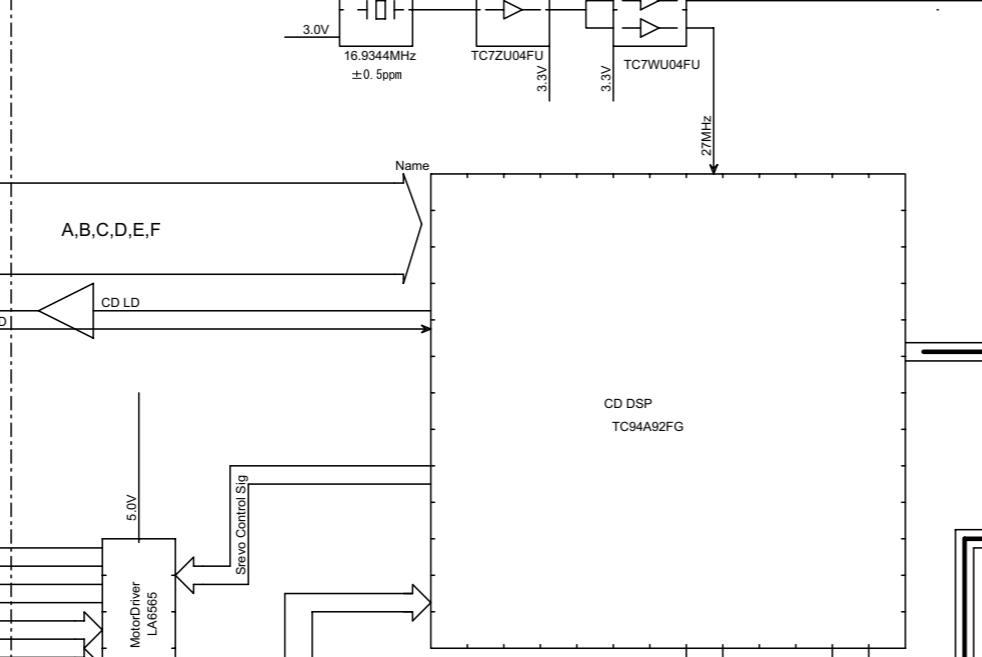
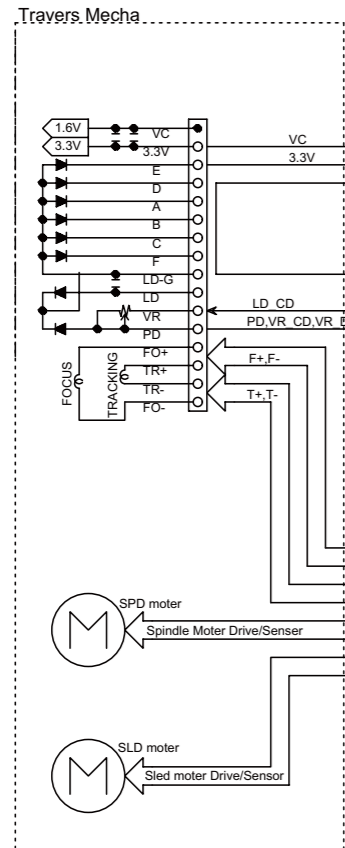
1

2

3

4

5



SCHEMATIC DIAGRAMS - 1/5

DIGITAL MAIN SECTION

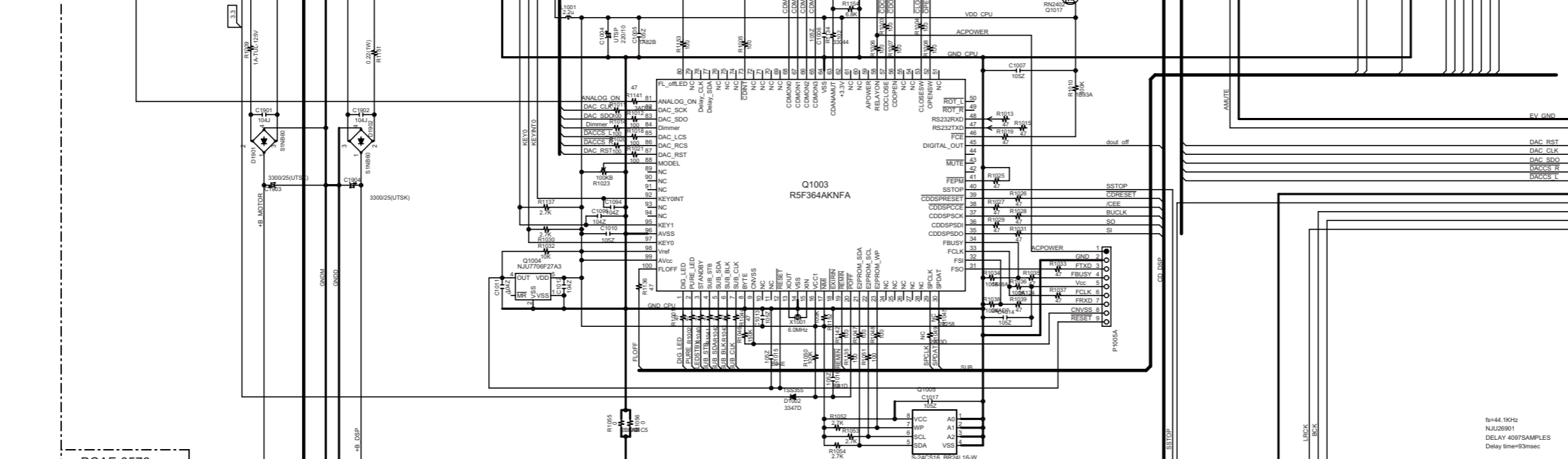
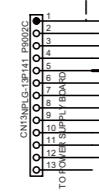
1

2

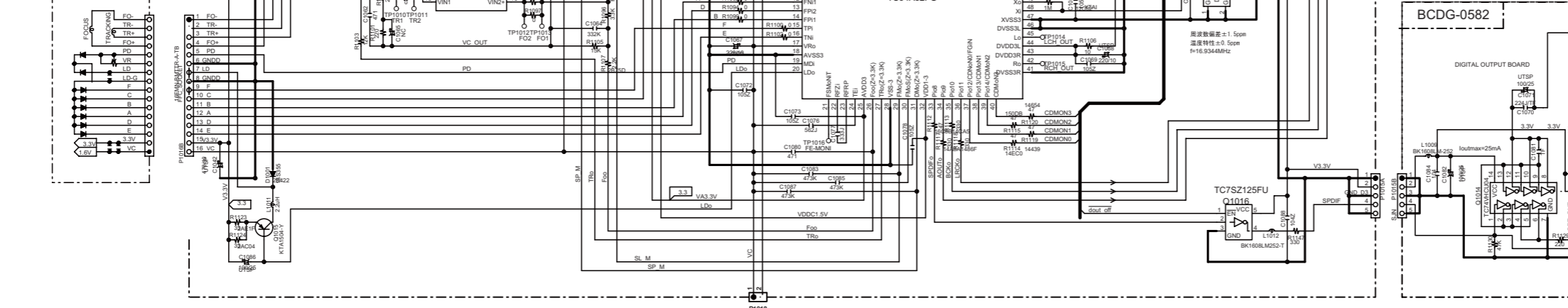
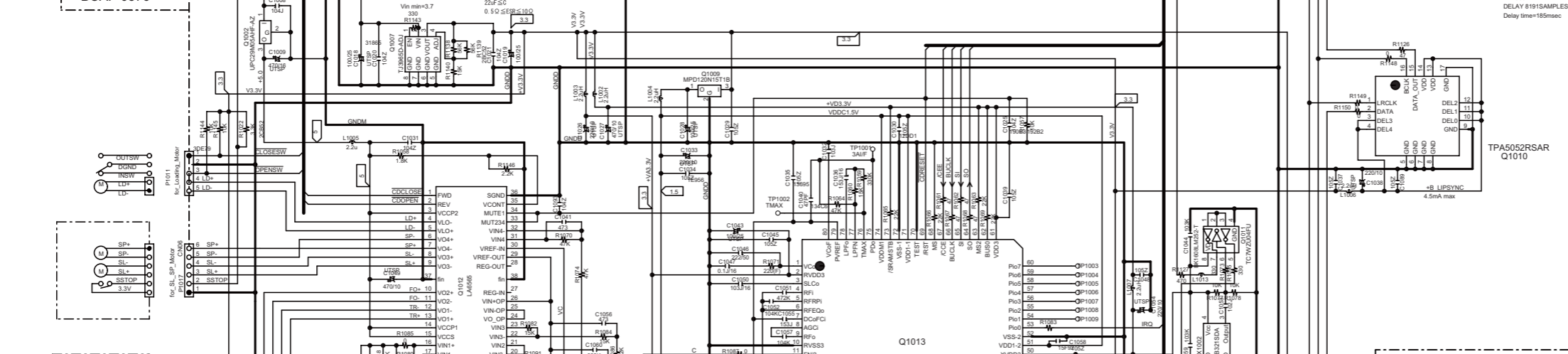
3

4

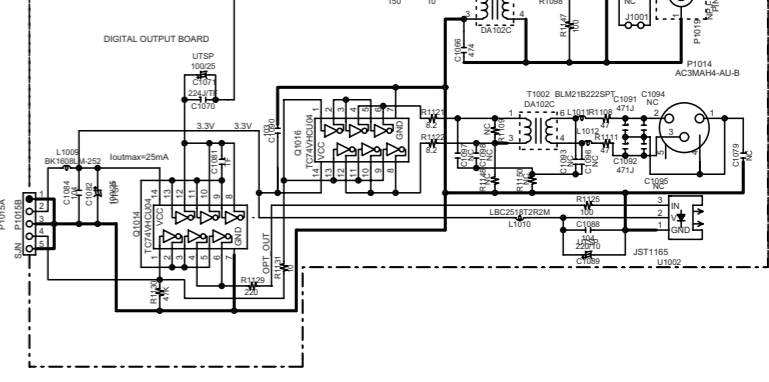
5



BCAF-0576



BCDG-0582



- ・印は火災、感電の危険に類する部品の為、必ず指定部品を使用の事。
- ・電圧表示は標値時測定した標値電圧を示す。
(単位V、入力抵抗100KΩ/V以上の電圧計)
- ・記入なき電解コンデンサの単位はμF/VVである。
- ・記入なきコンデンサの単位はpF/VVである。
例 030-33pF 330-33pF 331-330pF 333-0.033μF
- ・本配線図は基本配線図につき性能改善等により予告なく変更する事がある。

- ・THE COMPONENTS IDENTIFIED BY MARK ARE CRITICAL FOR SAFETY. REPLACE ONLY WITH PART NUMBER SPECIFIED.
- ・VOLTAGE (MEASURED WITH VOLTMETER) IS 100% R.L.A.S.E. (NO INPUT SIGNAL).
- ・ELECTROLYTIC CAPACITORS () ARE IN μF/VV.
- ・ALL CAPACITORS ARE IN pF UNLESS OTHERWISE NOTED.
EX) 030-33pF 330-33pF 331-330pF 333-0.033μF
- ・CIRCUIT IS SUBJECT TO CHANGE FOR IMPROVEMENT.

CAUTION
 FOR CONTINUED PROTECTION AGAINST FIRE HAZARD, REPLACE ONLY WITH FUSE OF SAME TYPE AND RATING INDICATED.

THIS SYMBOL LOCATED NEAR THE FUSE INDICATES THAT THE FUSE USED IS SLOW OPERATING TYPE FOR CONTINUED PROTECTION AGAINST FIRE FUSE HAZARD. REPLACE WITH SAME TYPE FUSE. FOR FUSE RATING REFER TO THE MARKING ADJACENT TO THE SYMBOL.

ATTENTION
 AFIN D'ASSURER UNE PROTECTION PERMANENTE CONTRE LES RISQUES D'INCENDIE, REMPLACER UNiquement PAR UN FUSIBLE DE MEME TYPE ET CALIBRATION COMME INDIQUE.

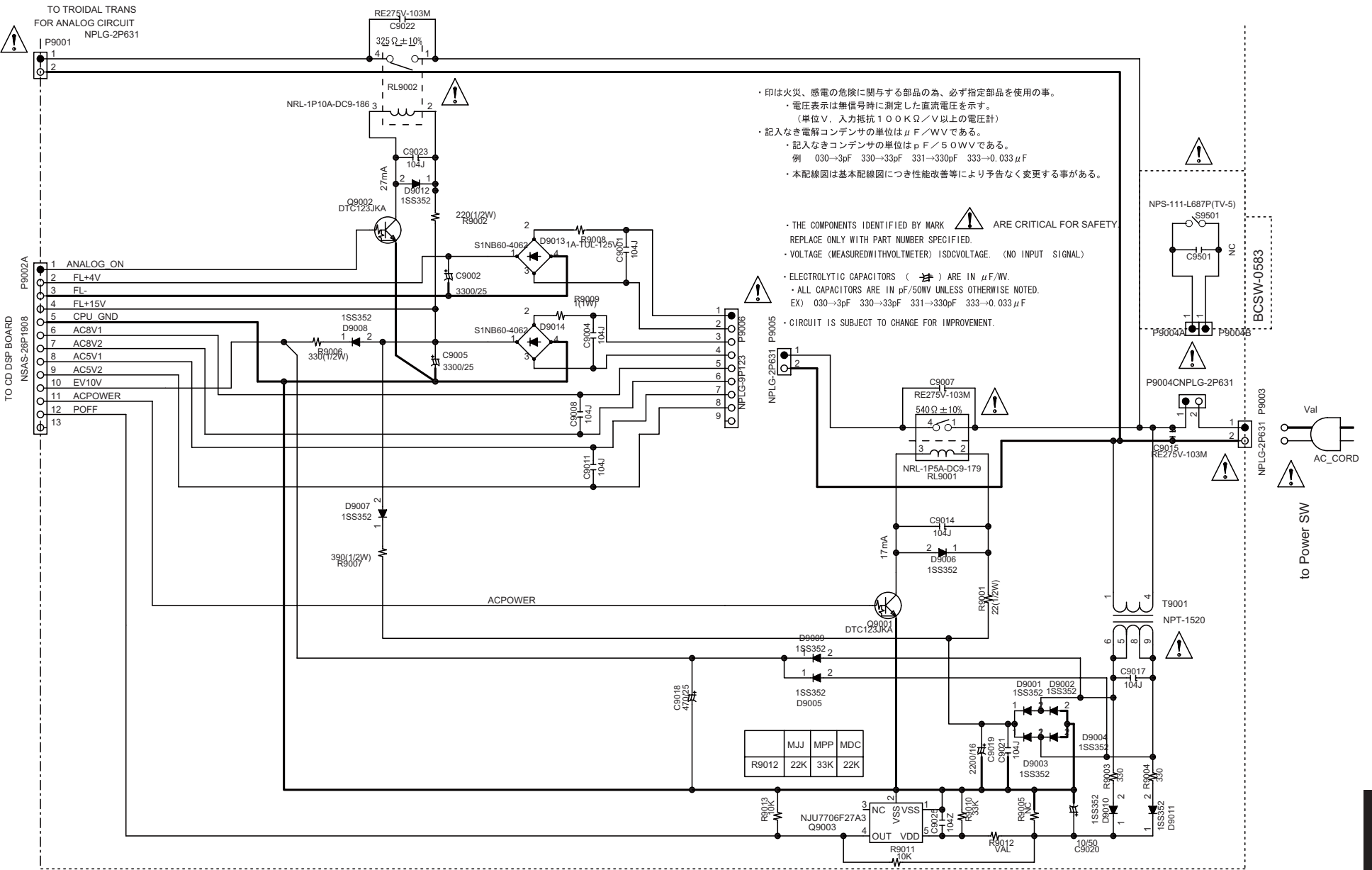
CE SYMBOLE INDIQUE QUE LE FUSIBLE UTILISE EST A LENT. POUR UNE PROTECTION PERMANENTE UTILISER DES FUSIBLES DE MEME TYPE. CE DERNIER EST INDIQUE LA OU LE PRESENT SYMBOLE EST OPPOSE.

TO DIA + FILTER BOARD

TO DISPLAY BOARD to Micon

SCHEMATIC DIAGRAMS - 2/5

POWER SECTION

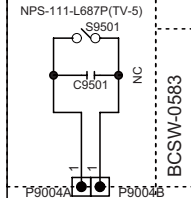


・印は火災、感電の危険に関与する部品の為、必ず指定部品を使用の事。
 ・電圧表示は無信号時に測定した直流電圧を示す。
 (単位V、入力抵抗100kΩ/V以上の電圧計)
 ・記入なき電解コンデンサの単位はμF/WVである。
 ・記入なきコンデンサの単位はpF/50WVである。
 例 030→3pF 330→33pF 331→330pF 333→0.033μF
 ・本配線図は基本配線図につき性能改善等により予告なく変更する事がある。

・THE COMPONENTS IDENTIFIED BY MARK ARE CRITICAL FOR SAFETY. REPLACE ONLY WITH PART NUMBER SPECIFIED.
 ・VOLTAGE (MEASURED WITH VOLT METER) IS DC VOLTAGE. (NO INPUT SIGNAL)

・ELECTROLYTIC CAPACITORS () ARE IN μF/WV.
 ・ALL CAPACITORS ARE IN pF/50WV UNLESS OTHERWISE NOTED.
 EX) 030→3pF 330→33pF 331→330pF 333→0.033μF

・CIRCUIT IS SUBJECT TO CHANGE FOR IMPROVEMENT.



SCHEMATIC DIAGRAMS - 3/5
D/A SECTION

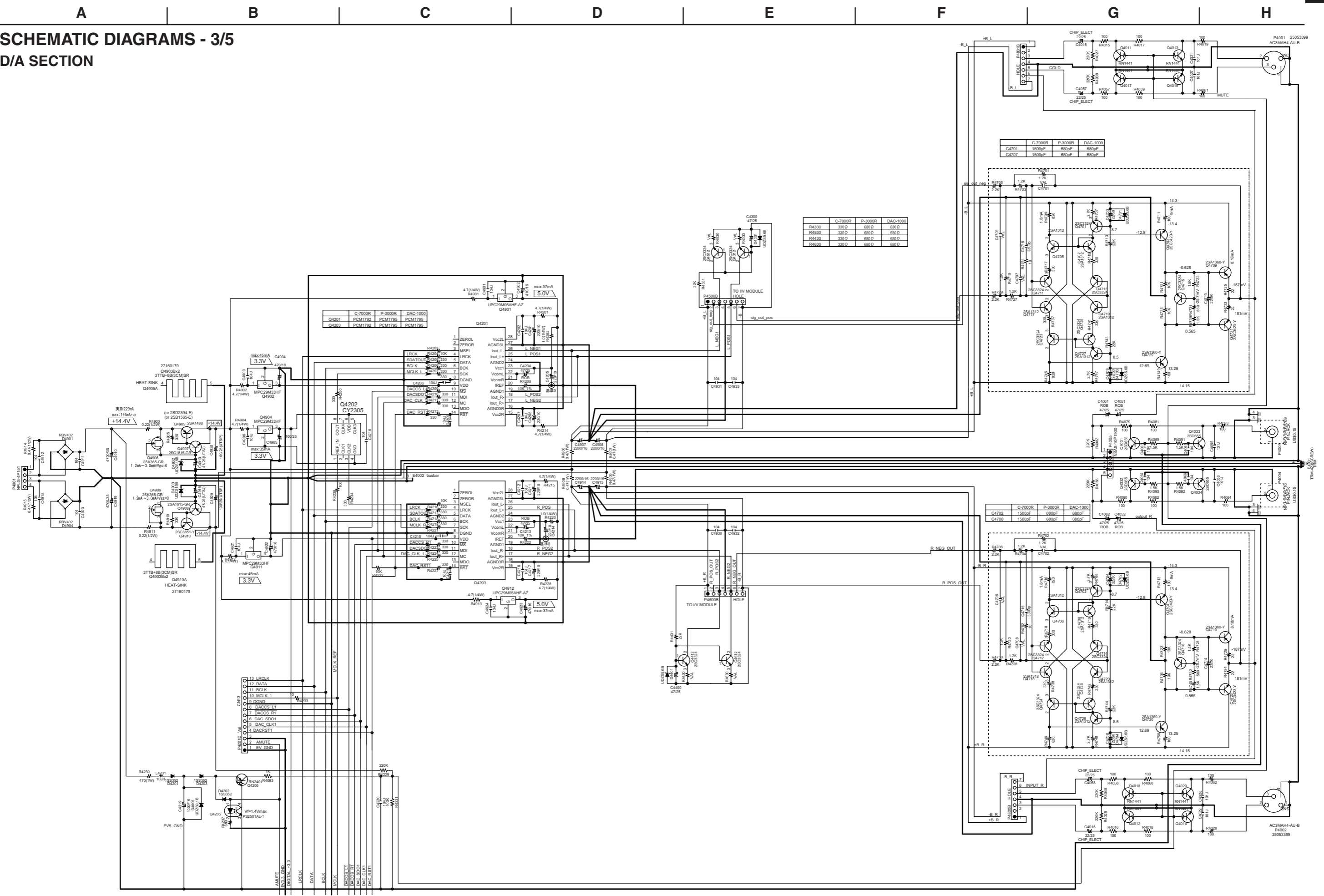
1

2

3

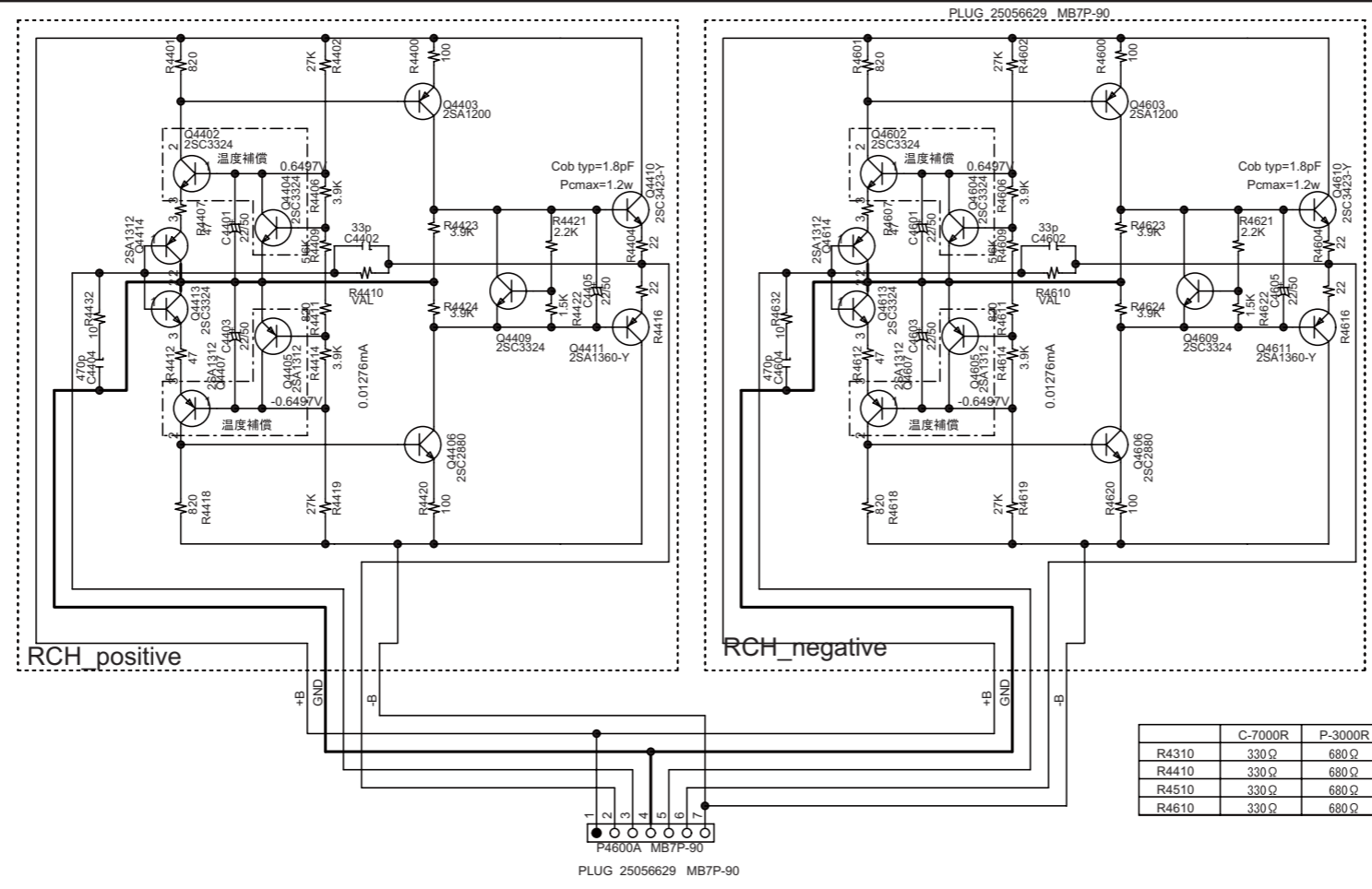
4

5

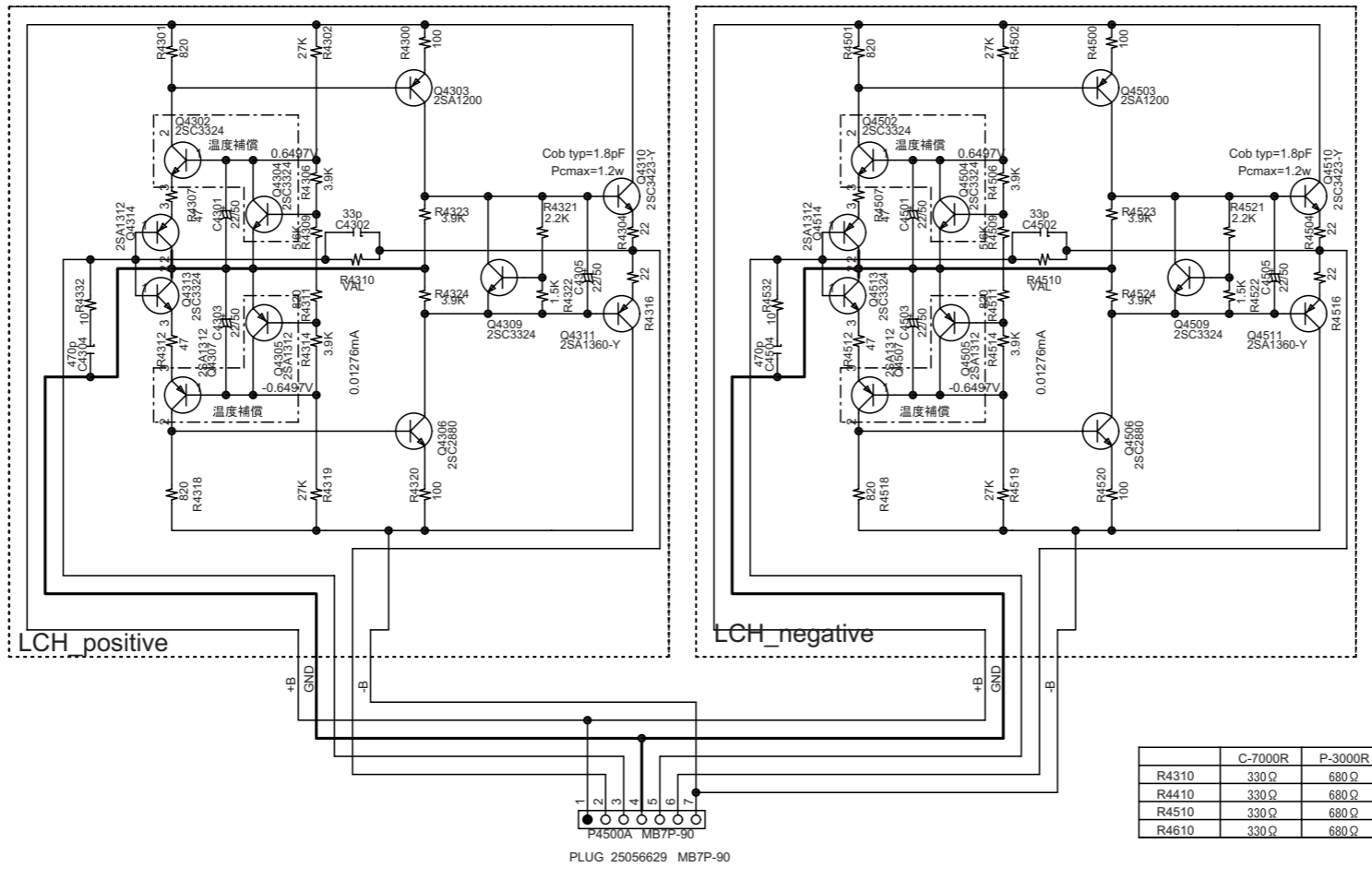


SCHEMATIC DIAGRAMS - 4/5 I/V SECTION

1
2
3
4
5



	C-7000R	P-3000R	DAC-1000
R4310	330 Ω	680 Ω	680 Ω
R4410	330 Ω	680 Ω	680 Ω
R4510	330 Ω	680 Ω	680 Ω
R4610	330 Ω	680 Ω	680 Ω



	C-7000R	P-3000R	DAC-1000
R4310	330 Ω	680 Ω	680 Ω
R4410	330 Ω	680 Ω	680 Ω
R4510	330 Ω	680 Ω	680 Ω
R4610	330 Ω	680 Ω	680 Ω

A

B

C

D

E

SCHEMATIC DIAGRAMS - 5/5

DISPLAY SECTION

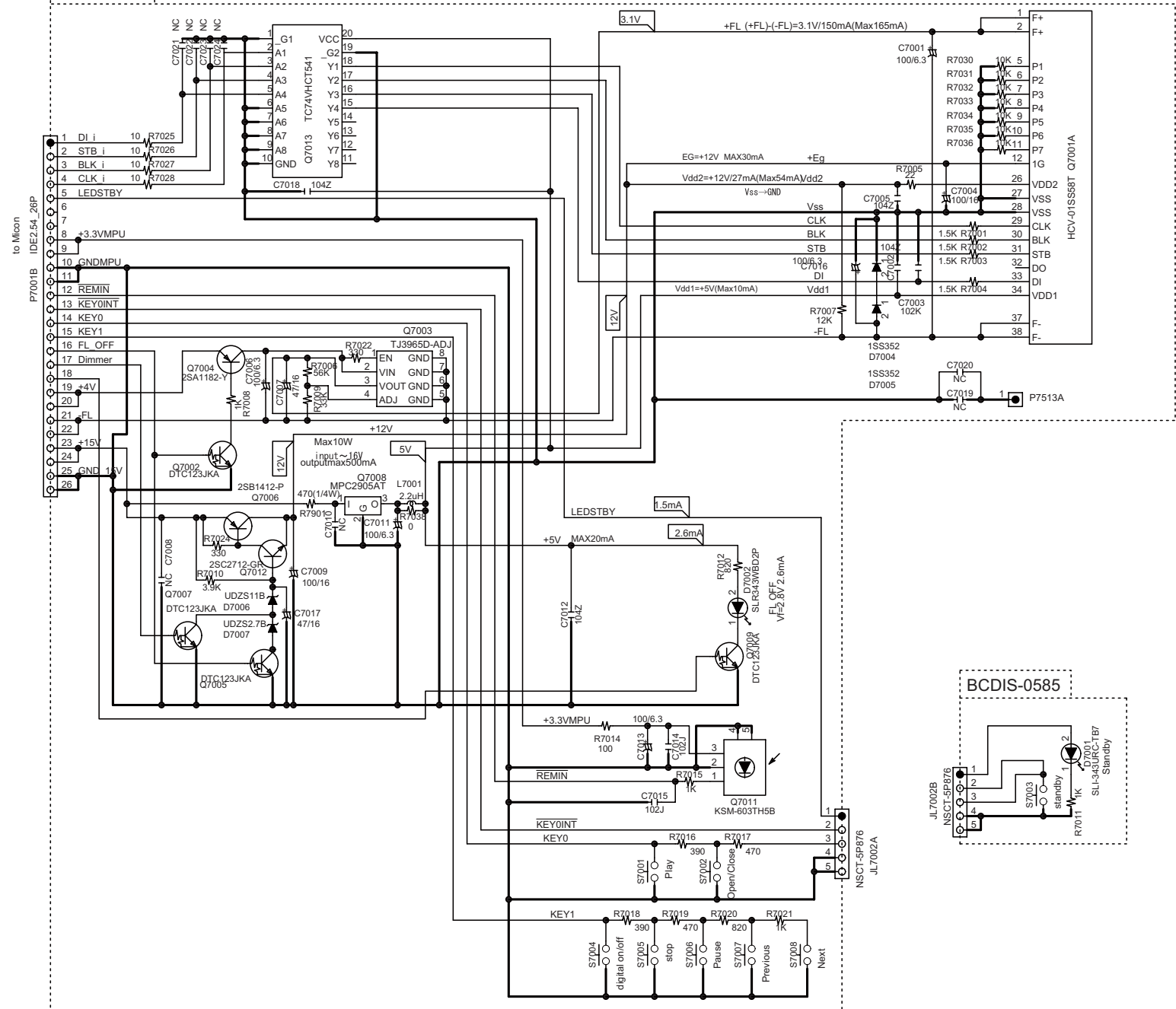
BCDIS-0578

1

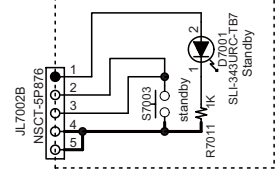
2

3

4



BCDIS-0585



NSCT-5P876
JL7002A

C-7000R**<Note>**

Parts marked by "NSP" are generally unavailable because they are not in our Master Spare Parts List.

**NOTE : THE COMPONENTS IDENTIFIED BY THE MARK
! ARE CRITICAL FOR RISK OF FIRE AND
ELECTRIC SHOCK. REPLACE ONLY WITH PART
NUMBER SPECIFIED.**

<Notes>

 : Black model

<S> : Silver model

<MPP> : European model only

<MDC> : Canadian model only

EXPLODED VIEW PARTS LIST

	REF. NO.	PART NAME	DESCRIPTION	Q'TY	PART NO. (SN)	REMARKS
EXPLODED		[CHASSIS SCREW]				
EXPLODED	A001	BRACKET	(F)AS	1	27131102C	N
EXPLODED	A002	SIDE PANEL	(L)(S)	1	28185488C	N <S>
EXPLODED	A002	SIDE PANEL	(L)(B)	1	28185489C	N
EXPLODED	A003	SIDE PANEL	(R)(S)	1	28185486C	N <S>
EXPLODED	A003	SIDE PANEL	(R)(B)	1	28185487C	N
EXPLODED	A004	SCREW	3TTB+8B(3BC)	4	838430088GR	
EXPLODED	A005	STAY	(BASE)	2	28183008C	N
EXPLODED	A006	REAR PANEL	MPP	1	27124204C	N <B MPP / S MPP>
EXPLODED	A006	REAR PANEL	MDC	1	27124215C	N <B MDC>
EXPLODED	A007	SCREW	3TTB+8B(3BC)	4	838430088GR	
EXPLODED	A008	SCREW	3TTF+10B(3BC)	2	835430108GR	
EXPLODED	A010	BRACKET	(TRANS)CD	1	27131096A	N
EXPLODED	A011	SCREW	4TTC+6C(3BC)	6	830440069GR	
EXPLODED	A013	SCREW	3TTB+10B(3BC)nail	6	801624GR	
EXPLODED	A014	SCREW	3TTB+8B(3BC)	3	838430088GR	
EXPLODED	A015	BUSHING	---	1	28170070	
EXPLODED	A016	CLAMP	WS-2NS	2	27300833	
EXPLODED	A020	STAY	(A)	1	28183009	
EXPLODED	A021	STAY	(B)	3	28183010A	N
EXPLODED	A022	STAY	(C)	2	28183011	
EXPLODED	A025	SCREW	3TTB+8B(3BC)	17	838430088GR	
EXPLODED	A026	WS CLAMP	WS-3NS	2	260220	
EXPLODED	A050	BRACKET	(MECHA)AS	1	27131098	

EXPLODED	A051	SCREW	3TTB+8B(3BC)	2	838430088GR	
EXPLODED	A052	DOOR	S	1	28148790B	N <S>
EXPLODED	A052	DOOR	B	1	28148792B	N
EXPLODED	A053	SCREW	2.6P+4FN	2	82112604	
EXPLODED	A054	SCREW	3P+6FN(3BC)	4	82143006GR	
EXPLODED	A055	SCREW	3TTB+8B(3BC)	2	838430088GR	
EXPLODED	A056	SCREW	3TTB+8B(3BC)	4	838430088GR	
EXPLODED	A057	SCREW	3P+6FN(3BC)	3	82143006GR	
EXPLODED	A058	WASHER	W3*10F(3BC)	4	87643010GR	
EXPLODED	A059	CUSHION	(BUTYL)	1	28141748	
EXPLODED	A060	WIRE TIE	BSK-1	2	260208	
EXPLODED	A061	SPACER	---	2	27270543	
EXPLODED	A150	BOTTOM BRD	C-7000	1	27170338B	N
EXPLODED	A151	SCREW	3TTB+8B(3BC)	8	838430088GR	
EXPLODED	A152	LEG	---	4	27175466	N
EXPLODED	A153	SCREW	4TTB+20C(3BC)	4	838404209	N
EXPLODED	A154	CUSHION	T0.8*Φ29*10	4	28141853A	N
EXPLODED	A155	CUSHION	(BUTYL)	1	28141748	
EXPLODED	A200	COVER	C-7000(S)	1	28210081	N <S>
EXPLODED	A200	COVER	C-7000(B)	1	28210082	N
EXPLODED	A201	SCREW	(COVER)	8	801645	<S>
EXPLODED	A201	SCREW	(COVER)	8	801657	
EXPLODED	A202	LABEL	(FLASH)(B)	2	29391423	N <B MDC>

EXPLODED	A203	SPACER	φ6*φ3.9*t0.5	1	27270541	
EXPLODED	A310	IB CUSHION	W15*3t TAPE	1	28141585	
EXPLODED	A320	TUBE	(SPIRAL)	1	262093	N
EXPLODED	[CABINET]					
EXPLODED	A100	F PANEL	(S)	1	27213410C	N <S>
EXPLODED	A100	F PANEL	(B)	1	27213411C	N
EXPLODED	A102	CLEAR PLT	---	1	28192324B	N
EXPLODED	A103	FACET	(STBY)	1	28200052	
EXPLODED	A104	BADGE	(NI)	1	28135318	N
EXPLODED	A106	FILM	10*30	1	28199230	
EXPLODED	A110	GUIDE	(STANDBY)	2	27268263A	
EXPLODED	A111	GUIDE	(A)	5	27268264A	
EXPLODED	A112	GUIDE	(B)	1	27268265A	
EXPLODED	A113	KNOB	(STBY)S	2	28326863A	N <S>
EXPLODED	A113	KNOB	(STBY)B	2	28326864A	N
EXPLODED	A114	KNOB	(A)S	5	28326865A	N <S>
EXPLODED	A114	KNOB	(A)B	5	28326866A	N
EXPLODED	A115	KNOB	(B)S	1	28326867A	N <S>
EXPLODED	A115	KNOB	(B)B	1	28326868A	N
EXPLODED	A118	KNOB	(CD-STBY)	1	28326877A	N
EXPLODED	A119	KNOB	(CD-PLAY)	1	28326878A	N
EXPLODED	A121	CUSHION	---	8	28141854	
EXPLODED	A124	SCREW	3P+6FN(3BC)	10	82143006GR	
EXPLODED	A131	B PLATE	---	1	28133440	N <S>
EXPLODED	A131	B PLATE	---	1	28133441	
EXPLODED	A132	KNOB	(POW)AS(S)	1	28326899B	<S>
EXPLODED	A132	KNOB	(POW)AS(B)	1	28326900B	N
EXPLODED	A133	SCREW	3P+10FN(3BC)	2	82143010GR	
EXPLODED	A134	SCREW	3TTB+8B(3BC)	14	838430088GR	
EXPLODED	A142	RETAINER	EARTH-DIS	1	27142243	N
EXPLODED	[TRANS COIL]					
EXPLODED	T901	P TRANS	NPT-1597P	1	2301996	N ! <B MPP / S MPP>
EXPLODED	T901	P TRANS	NPT-1597D	1	2301998	N ! <B MDC>
EXPLODED	T902	P TRANS	NPT-1598P	1	2301999	N ! <B MPP / S MPP>
EXPLODED	T902	P TRANS	NPT-1598D	1	2302001	N ! <B MDC>
EXPLODED	[SW TRM]					
EXPLODED	P1013C	FFC	NCFC2-162022	1	2042162022	

EXPLODED	P1017C	SOCKET AS	NSAS-12P0960	1	20022391210UL	
EXPLODED	P7001C	SOCKET AS	NSAS-13P1877	1	2009991206UL	
EXPLODED	P9003C	FASTON AS	FASTON SOCKET	1	1F999029	N !
EXPLODED	P9901	AC INLET	R301X2PSn	1	25053358	!
EXPLODED	[MECHANISM]					
EXPLODED	Z001	LOADER MECHA	TC-7000DA (With DRIVE UNIT)	1	24800062	
EXPLODED	Z002	LABEL	(DVD3-S)	1	29364822	
EXPLODED	Z004	CUSHION	---	1	28141637	
EXPLODED	Z005	MECHA UNIT (DRIVE UNIT)	DA11VFGP	1	24800060	
EXPLODED	[TUNER UNIT]					
EXPLODED	(U01)	U01-0 --- U01-2	BAAF-0576-1A *	1	1H562576-1A	
EXPLODED	U01-0	DIGITAL MAIN PC Board assy	BAAF-0576-1A	1	1H5625576-1A	
EXPLODED	U01-1	I/V-L PC Board assy	BAAF-0593-1A	1	1H5625593-1A	
EXPLODED	U01-2	I/V-R PC Board assy	BAAF-0594-1A	1	1H5625594-1A	
EXPLODED	(U02)	U02-0 --- U02-5	BADIS-0578-1B *	1	1H562578-1B	<B MPP / S MPP>
EXPLODED	U02-0	DISPLAY PC Board assy	BADIS-0578-1B	1	1H5625578-1B	<B MPP / S MPP>
EXPLODED	U02-1	POWER PC Board assy	BAPS-0580-1B	1	1H5625580-1B	<B MPP / S MPP>
EXPLODED	U02-2	HOLDER PC Board	BAETC-0581-1B	1	1H5625581-1B	<B MPP / S MPP>
EXPLODED	U02-3	DIGITAL OUT PC Board assy	BADG-0582-1B	1	1H5625582-1B	<B MPP / S MPP>
EXPLODED	U02-4	POWER SWITCH PC Board assy	BASW-0583-1B	1	1H5625583-1B	<B MPP / S MPP>
EXPLODED	U02-5	STANDBY SWITCH PC Board assy	BASW-0585-1B	1	1H5625585-1B	<B MPP / S MPP>
EXPLODED	(U02)	U02-0 --- U02-5	BADIS-0578-1C *	1	1H562578-1C	<B MDC>
EXPLODED	U02-0	DISPLAY PC Board assy	BADIS-0578-1C	1	1H5625578-1C	<B MDC>

EXPLODED	U02-1	POWER PC Board assy	BAPS-0580-1C	1	IH5625580-1C	<B MDC>
EXPLODED	U02-2	HOLDER PC Board	BAETC-0581-1C	1	IH5625581-1C	<B MDC>
EXPLODED	U02-3	DIGITAL OUT PC Board assy	BADG-0582-1C	1	IH5625582-1C	<B MDC>
EXPLODED	U02-4	POWER SWITCH PC Board assy	BASW-0583-1C	1	IH5625583-1C	<B MDC>
EXPLODED	U02-5	STANDBY SWITCH PC Board assy	BASW-0585-1C	1	IH5625585-1C	<B MDC>

C-7000R

PRINTED CIRCUIT BOARD PARTS LIST

- PWB1 **U01-0** DIGITAL MAIN PC Board (BAAF-0576-1A)
- PWB1 **U01-1** I/V-L PC Board (BAAF-0593-1A)
- PWB1 **U01-2** I/V-R PC Board (BAAF-0594-1A)

PWB1	CIRCUIT NO.	PART NAME	DESCRIPTION	Q'TY	PART NO. (SN)	REMARKS
PWB1	[SEMI CONDUCTOR]					
PWB1	D1001	C-DIODE	1SS355	1	223269R2	
PWB1	D1001 or	C-DIODE	1SS352	(1)	223234R2	
PWB1	D1001 or	C-DIODE	MA2J111	(1)	223279R2	
PWB1	D1001 or	C-DIODE	KDS4148U	(1)	223283R2	
PWB1	D1002	C-DIODE	1SS355	1	223269R2	
PWB1	D1002 or	C-DIODE	1SS352	(1)	223234R2	
PWB1	D1002 or	C-DIODE	MA2J111	(1)	223279R2	
PWB1	D1002 or	C-DIODE	KDS4148U	(1)	223283R2	
PWB1	D1901	C-DIODE	S1NB60-4062	1	22380318R2	
PWB1	D1902	C-DIODE	S1NB60-4062	1	22380318R2	
PWB1	D4005	ZENER D	UDZS9.1B	1	224550910R2	
PWB1	D4201	C-DIODE	1SS352	1	223234R2	
PWB1	D4201 or	C-DIODE	1SS355	(1)	223269R2	
PWB1	D4201 or	C-DIODE	MA2J111	(1)	223279R2	
PWB1	D4201 or	C-DIODE	KDS4148U	(1)	223283R2	
PWB1	D4202	C-DIODE	1SS352	1	223234R2	
PWB1	D4202 or	C-DIODE	1SS355	(1)	223269R2	
PWB1	D4202 or	C-DIODE	MA2J111	(1)	223279R2	
PWB1	D4202 or	C-DIODE	KDS4148U	(1)	223283R2	
PWB1	D4203	C-DIODE	1SS352	1	223234R2	
PWB1	D4203 or	C-DIODE	1SS355	(1)	223269R2	
PWB1	D4203 or	C-DIODE	MA2J111	(1)	223279R2	
PWB1	D4203 or	C-DIODE	KDS4148U	(1)	223283R2	

PWB1	D4301	ZENER D	UDZS5.6B	1	224550560R2	
PWB1	D4401	ZENER D	UDZS5.6B	1	224550560R2	
PWB1	D4701	ZENER D	UDZS5.6B	1	224550560R2	
PWB1	D4702	ZENER D	UDZS5.6B	1	224550560R2	
PWB1	D4703	ZENER D	UDZS5.6B	1	224550560R2	
PWB1	D4704	ZENER D	UDZS5.6B	1	224550560R2	
PWB1	D4901	DIODE	RBV402	1	22380022F	
PWB1	D4902	ZENER D	UDZS15B	1	224551500R2	
PWB1	D4903	ZENER D	UDZS15B	1	224551500R2	
PWB1	D4904	DIODE	RBV402	1	22380022F	
PWB1	Q1001	IC	NJU7202U33	1	22278033CR2JR	
PWB1	Q1002	IC	UPC29M05AHF-AZ	1	22278005ENE	
PWB1	Q1003	IC	R5F364AKNFA	1	222W0111R3	
PWB1	Q1004	IC	NJU7706F27A3	1	22242614R2	
PWB1	Q1005	IC	RIEX24016ASAS0A	1	22242675R2	
PWB1	Q1005 or	IC	S-24CS16A0I-J8V1G	(1)	22242326R2	
PWB1	Q1007	IC	TJ3965D-ADJ	1	22242683R2	
PWB1	Q1009	IC	MPD120N15T1B-E1-AZ	1	22278002NR2	
PWB1	Q1010	IC	TPA5052RSAR	1	22242707R2	N
PWB1	Q1011	IC	TC7WZU04FU(TE12L_F)	1	22242078R2TO	
PWB1	Q1012	IC	LA6565	1	22242339R2	
PWB1	Q1013	IC	TC94A92FG	1	22242658R3	
PWB1	Q1015	TR	KTA1504-Y	1	2216184R2	

PWB1	Q1016	IC	TC7SZ125FU(TE85L_F)	1	22241895R2	
PWB1	Q1017	TR	RN2402	1	2214530R2	
PWB1	Q4031	TR	2SD655-E	1	2211705T	
PWB1	Q4031 or	TR	2SD655-F	(1)	2211706T	
PWB1	Q4032	TR	2SD655-E	1	2211705T	
PWB1	Q4032 or	TR	2SD655-F	(1)	2211706T	
PWB1	Q4033	TR	2SD655-E	1	2211705T	
PWB1	Q4033 or	TR	2SD655-F	(1)	2211706T	
PWB1	Q4034	TR	2SD655-E	1	2211705T	
PWB1	Q4034 or	TR	2SD655-F	(1)	2211706T	
PWB1	Q4201	IC	PCM1792ADBR	1	22242467R2	
PWB1	Q4202	IC	CY2305ESXC-1T	1	22242638R2	
PWB1	Q4203	IC	PCM1792ADBR	1	22242467R2	
PWB1	Q4205	PHT CP	PS2501AL-1	1	24120141R2	
PWB1	Q4206	TR	RN2401(TE85L_F)	1	2214520R2	
PWB1	Q4302	TR	2SC3324-GR(TE85L_F)	1	2216825R2	
PWB1	Q4303	TR	2SA1200-Y(2LONK_ZE)	1	2217584R2	N
PWB1	Q4304	TR	2SC3324-GR(TE85L_F)	1	2216825R2	
PWB1	Q4305	TR	2SA1312-GR(TE85L_F)	1	2216835R2	
PWB1	Q4306	TR	2SC2880-Y(2LONK_ZE)	1	2217594R2	N
PWB1	Q4307	TR	2SA1312-GR(TE85L_F)	1	2216835R2	
PWB1	Q4309	TR	2SC3324-GR(TE85L_F)	1	2216825R2	
PWB1	Q4310	TR	2SC3423-Y	1	2202104	
PWB1	Q4311	TR	2SA1360-Y	1	2202094	
PWB1	Q4312	TR	2SC3324-GR(TE85L_F)	1	2216825R2	
PWB1	Q4313	TR	2SC3324-GR(TE85L_F)	1	2216825R2	
PWB1	Q4314	TR	2SA1312-GR(TE85L_F)	1	2216835R2	
PWB1	Q4402	TR	2SC3324-GR(TE85L_F)	1	2216825R2	
PWB1	Q4403	TR	2SA1200-Y(2LONK_ZE)	1	2217584R2	N
PWB1	Q4404	TR	2SC3324-GR(TE85L_F)	1	2216825R2	
PWB1	Q4405	TR	2SA1312-GR(TE85L_F)	1	2216835R2	
PWB1	Q4406	TR	2SC2880-Y(2LONK_ZE)	1	2217594R2	N
PWB1	Q4407	TR	2SA1312-GR(TE85L_F)	1	2216835R2	
PWB1	Q4409	TR	2SC3324-GR(TE85L_F)	1	2216825R2	
PWB1	Q4410	TR	2SC3423-Y	1	2202104	
PWB1	Q4411	TR	2SA1360-Y	1	2202094	
PWB1	Q4412	TR	2SC3324-GR(TE85L_F)	1	2216825R2	

PWB1	Q4413	TR	2SC3324-GR(TE85L_F)	1	2216825R2	
PWB1	Q4414	TR	2SA1312-GR(TE85L_F)	1	2216835R2	
PWB1	Q4502	TR	2SC3324-GR(TE85L_F)	1	2216825R2	
PWB1	Q4503	TR	2SA1200-Y(2LONK,ZE)	1	2217584R2	N
PWB1	Q4504	TR	2SC3324-GR(TE85L_F)	1	2216825R2	
PWB1	Q4505	TR	2SA1312-GR(TE85L_F)	1	2216835R2	
PWB1	Q4506	TR	2SC2880-Y(2LONK,ZE)	1	2217594R2	N
PWB1	Q4507	TR	2SA1312-GR(TE85L_F)	1	2216835R2	
PWB1	Q4509	TR	2SC3324-GR(TE85L_F)	1	2216825R2	
PWB1	Q4510	TR	2SC3423-Y	1	2202104	
PWB1	Q4511	TR	2SA1360-Y	1	2202094	
PWB1	Q4512	TR	2SC3324-GR(TE85L_F)	1	2216825R2	
PWB1	Q4513	TR	2SC3324-GR(TE85L_F)	1	2216825R2	
PWB1	Q4514	TR	2SA1312-GR(TE85L_F)	1	2216835R2	
PWB1	Q4602	TR	2SC3324-GR(TE85L_F)	1	2216825R2	
PWB1	Q4603	TR	2SA1200-Y(2LONK,ZE)	1	2217584R2	N
PWB1	Q4604	TR	2SC3324-GR(TE85L_F)	1	2216825R2	
PWB1	Q4605	TR	2SA1312-GR(TE85L_F)	1	2216835R2	
PWB1	Q4606	TR	2SC2880-Y(2LONK,ZE)	1	2217594R2	N
PWB1	Q4607	TR	2SA1312-GR(TE85L_F)	1	2216835R2	
PWB1	Q4609	TR	2SC3324-GR(TE85L_F)	1	2216825R2	
PWB1	Q4610	TR	2SC3423-Y	1	2202104	
PWB1	Q4611	TR	2SA1360-Y	1	2202094	

PWB1	Q4612	TR	2SC3324-GR(TE85L_F)	1	2216825R2
PWB1	Q4613	TR	2SC3324-GR(TE85L_F)	1	2216825R2
PWB1	Q4614	TR	2SA1312-GR(TE85L_F)	1	2216835R2
PWB1	Q4701	TR	2SC3324-GR(TE85L_F)	1	2216825R2
PWB1	Q4702	TR	2SC3324-GR(TE85L_F)	1	2216825R2
PWB1	Q4703	TR	2SC3423-Y	1	2202104
PWB1	Q4704	TR	2SC3423-Y	1	2202104
PWB1	Q4705	TR	2SA1312-GR(TE85L_F)	1	2216835R2
PWB1	Q4706	TR	2SA1312-GR(TE85L_F)	1	2216835R2
PWB1	Q4707	TR	2SA1312-GR(TE85L_F)	1	2216835R2
PWB1	Q4708	TR	2SA1312-GR(TE85L_F)	1	2216835R2
PWB1	Q4709	TR	2SA1360-Y	1	2202094
PWB1	Q4710	TR	2SA1360-Y	1	2202094
PWB1	Q4711	TR	2SC3324-GR(TE85L_F)	1	2216825R2
PWB1	Q4712	TR	2SC3324-GR(TE85L_F)	1	2216825R2
PWB1	Q4713	TR	2SC3324-GR(TE85L_F)	1	2216825R2
PWB1	Q4714	TR	2SC3324-GR(TE85L_F)	1	2216825R2
PWB1	Q4715	TR	2SC3324-GR(TE85L_F)	1	2216825R2
PWB1	Q4716	TR	2SC3324-GR(TE85L_F)	1	2216825R2
PWB1	Q4717	TR	2SA1312-GR(TE85L_F)	1	2216835R2
PWB1	Q4718	TR	2SA1312-GR(TE85L_F)	1	2216835R2
PWB1	Q4719	TR	2SA1312-GR(TE85L_F)	1	2216835R2
PWB1	Q4720	TR	2SA1312-GR(TE85L_F)	1	2216835R2
PWB1	Q4721	TR	2SC3423-Y	1	2202104
PWB1	Q4722	TR	2SC3423-Y	1	2202104
PWB1	Q4723	TR	2SC3324-GR(TE85L_F)	1	2216825R2
PWB1	Q4724	TR	2SC3324-GR(TE85L_F)	1	2216825R2
PWB1	Q4725	TR	2SC3324-GR(TE85L_F)	1	2216825R2
PWB1	Q4726	TR	2SC3324-GR(TE85L_F)	1	2216825R2
PWB1	Q4727	TR	2SA1312-GR(TE85L_F)	1	2216835R2
PWB1	Q4728	TR	2SA1312-GR(TE85L_F)	1	2216835R2
PWB1	Q4729	TR	2SA1360-Y	1	2202094
PWB1	Q4730	TR	2SA1360-Y	1	2202094
PWB1	Q4901	IC	UPC29M05AHF-AZ	1	22278005ENE
PWB1	Q4902	IC	MPC29M33HF	1	22278033ENE
PWB1	Q4904	IC	MPC29M33HF	1	22278033ENE
PWB1	Q4905	TR	2SA1488-Y	1	2203394

PWB1	Q4905A	HEAT-SINK	HEAT-SINK	1	27160179
PWB1	Q4905B	SCREW	3TTB+8B(3CM)SR	1	801637
PWB1	Q4906	TR	2SK365-GR	1	2212445T
PWB1	Q4907	TR	2SC1815-GR	1	2211255T
PWB1	Q4908	TR	2SA1015-GR	1	2211455T
PWB1	Q4909	TR	2SK365-GR	1	2212445T
PWB1	Q4910	TR	2SC3851-Y	1	2203384
PWB1	Q4910A	HEAT-SINK	HEAT-SINK	1	27160179
PWB1	Q4910B	SCREW	3TTB+8B(3CM)SR	1	801637
PWB1	Q4911	IC	MPC29M33HF	1	22278033ENE
PWB1	Q4912	IC	UPC29M05AHF-AZ	1	22278005ENE
PWB1	[CHASSIS SCREW]				
PWB1	A4003	CUSHION	---t10*10*15	1	28141614-1
PWB1	E4002	RETAINER	(BUS-BAR)	1	27142221
PWB1	[TRANS COIL]				
PWB1	L1001	CHOKE COIL	LBC2518T2R2M	1	231364M022R2
PWB1	L1002	CHOKE COIL	LBC2518T2R2M	1	231364M022R2
PWB1	L1003	CHOKE COIL	LBC2518T2R2M	1	231364M022R2
PWB1	L1004	CHOKE COIL	LBC2518T2R2M	1	231364M022R2
PWB1	L1005	CHOKE COIL	LBC2518T2R2M	1	231364M022R2
PWB1	L1006	CHOKE COIL	LBC2518T2R2M	1	231364M022R2
PWB1	L1007	CHOKE COIL	LBC2518T2R2M	1	231364M022R2
PWB1	L1011	CHOKE COIL	LBC2518T2R2M	1	231364M022R2

PWB1	L1012	EMIFIL	BK1608LM252-T	1	230956R2	
PWB1	L1013	EMIFIL	BK1608LM252-T	1	230956R2	
PWB1	L4201	CHOKE COIL	LBC2518T100M	1	231364M100R2	
PWB1	X1001	CERA LOCK	CSTCR6M0055-R0	1	3010397R2	
PWB1	X1002	CRYSTAL	DSB321SDA-16.9344MHz	1	3010500R2	N
PWB1	[CAPACITOR]					
PWB1	C1001	UTSP C	CE04W25V-100M(UTSP)	1	397551017T	
PWB1	C1002	C-CERA C	CK725F1A-105Z1	1	332181050R1	
PWB1	C1003	C-CERA C	CK725F1A-105Z1	1	332181050R1	
PWB1	C1004	UTSP C	CE04W10V-220M(UTSP)	1	397532217T	
PWB1	C1005	C-CERA C	CK725F1A-105Z1	1	332181050R1	
PWB1	C1006	C-CERA C	CK725F1A-105Z1	1	332181050R1	
PWB1	C1007	C-CERA C	CK725F1A-105Z1	1	332181050R1	
PWB1	C1008	C-FILM C	ECHU16V-104J	1	373041044R2	
PWB1	C1009	UTSP C	CE04W16V-470M(UTSP)	1	397544717T	
PWB1	C1010	C-CERA C	CK725F1A-105Z1	1	332181050R1	
PWB1	C1011	C-CERA C	CK725F1E-104Z1	1	332161040R1	
PWB1	C1012	C-CERA C	CK725F1E-104Z1	1	332161040R1	
PWB1	C1013	C-CERA C	CK725F1A-105Z1	1	332181050R1	
PWB1	C1014	C-CERA C	CK725F1A-105Z1	1	332181050R1	
PWB1	C1015	C-CERA C	CK725F1A-105Z1	1	332181050R1	
PWB1	C1016	C-CERA C	CK725F1A-105Z1	1	332181050R1	
PWB1	C1017	C-CERA C	CK725F1A-105Z1	1	332181050R1	
PWB1	C1018	UTSP C	CE04W25V-100M(UTSP)	1	397551017T	
PWB1	C1019	UTSP C	CE04W25V-100M(UTSP)	1	397551017T	
PWB1	C1020	C-CERA C	CK725F1E-104Z1	1	332161040R1	
PWB1	C1021	C-CERA C	CK725F1E-104Z1	1	332161040R1	
PWB1	C1025	C-CERA C	CK725F1E-104Z1	1	332161040R1	
PWB1	C1026	UTSP C	CE04W10V-220M(UTSP)	1	397532217T	
PWB1	C1027	UTSP C	CE04W10V-470M(UTSP)	1	397534717T	
PWB1	C1028	UTSP C	CE04W25V-100M(UTSP)	1	397551017T	
PWB1	C1029	C-CERA C	CK725F1A-105Z1	1	332181050R1	
PWB1	C1030	C-CERA C	CK725F1A-105Z1	1	332181050R1	
PWB1	C1031	C-CERA C	CK725F1E-104Z1	1	332161040R1	
PWB1	C1032	C-FILM C	ECHU16V-103J	1	373041034R2	
PWB1	C1033	UTSP C	CE04W10V-220M(UTSP)	1	397532217T	
PWB1	C1034	C-CERA C	CK725F1A-105Z1	1	332181050R1	

PWB1	C1035	C-CERA C	CK725F1A-105Z1	1	332181050R1
PWB1	C1036	C-FILM C	ECHU16V-153J	1	373041534R2
PWB1	C1037	C-CERA C	CK725F1A-105Z1	1	332181050R1
PWB1	C1038	UTSP C	CE04W10V-220M(UTSP)	1	397532217T
PWB1	C1039	C-CERA C	CK725F1A-105Z1	1	332181050R1
PWB1	C1040	C-CERA C	CC725CH1H-470J1	1	342104704R1
PWB1	C1041	C-CERA C	CK725B1H-473K1	1	332104735R1
PWB1	C1042	UTSP C	CE04W10V-470M(UTSP)	1	397534717T
PWB1	C1043	UTSP C	CE04W25V-100M(UTSP)	1	397551017T
PWB1	C1044	C-CERA C	CK725B1H-103K1	1	332101035R1
PWB1	C1045	C-CERA C	CK725F1A-105Z1	1	332181050R1
PWB1	C1046	C-FILM C	ECHU50V-222J	1	373022224R2
PWB1	C1047	C-FILM C	ECHU16V-104J	1	373041044R2
PWB1	C1048	C-CERA C	CK725F1A-105Z1	1	332181050R1
PWB1	C1049	UTSP C	CE04W10V-470M(UTSP)	1	397534717T
PWB1	C1050	C-FILM C	ECHU16V-103J	1	373041034R2
PWB1	C1051	C-CERA C	CK725B1H-472K1	1	332104725R1
PWB1	C1052	C-CERA C	CK725B1C-104K1	1	332121045R1
PWB1	C1053	C-CERA C	CC725CH1H-102J1	1	342101024R1
PWB1	C1054	UTSP C	CE04W10V-220M(UTSP)	1	397532217T
PWB1	C1055	C-FILM C	ECHU16V-153J	1	373041534R2
PWB1	C1056	C-CERA C	CK725B1H-473K1	1	332104735R1
PWB1	C1057	C-CERA C	CK725B1C-104K1	1	332121045R1

PWB1	C1058	C-CERA C	CK725F1A-105Z1	1	332181050R1
PWB1	C1059	C-CERA C	CK725B1H-103K1	1	332101035R1
PWB1	C1060	C-CERA C	CK725B1H-332K1	1	332103325R1
PWB1	C1061	C-CERA C	CK725F1A-105Z1	1	332181050R1
PWB1	C1062	C-CERA C	CC725CH1H-471J1	1	342104714R1
PWB1	C1064	C-CERA C	CK725B1H-332K1	1	332103325R1
PWB1	C1065	UTSP C	CE04W50V-2.2M(UTSP)	1	397580227T
PWB1	C1067	UTSP C	CE04W10V-220M(UTSP)	1	397532217T
PWB1	C1068	UTSP C	CE04W10V-220M(UTSP)	1	397532217T
PWB1	C1069	C-CERA C	CK725F1A-105Z1	1	332181050R1
PWB1	C1072	C-CERA C	CK725F1A-105Z1	1	332181050R1
PWB1	C1073	C-CERA C	CK725F1A-105Z1	1	332181050R1
PWB1	C1076	C-FILM C	ECHU16V-562J	1	373045624R2
PWB1	C1077	C-FILM C	ECHU16V-333J	1	373043334R2
PWB1	C1078	C-CERA C	CK725F1A-105Z1	1	332181050R1
PWB1	C1080	C-CERA C	CC725CH1H-471J1	1	342104714R1
PWB1	C1083	C-CERA C	CK725B1H-473K1	1	332104735R1
PWB1	C1085	C-CERA C	CK725B1H-473K1	1	332104735R1
PWB1	C1086	UTSP C	CE04W25V-100M(UTSP)	1	397551017T
PWB1	C1087	C-CERA C	CK725B1H-473K1	1	332104735R1
PWB1	C1088	C-CERA C	CK725F1E-104Z1	1	332161040R1
PWB1	C1089	C-CERA C	CK725F1A-105Z1	1	332181050R1
PWB1	C1091	C-CERA C	CK725B1C-104K1	1	332121045R1
PWB1	C1093	C-CERA C	CK725F1E-104Z1	1	332161040R1
PWB1	C1094	C-CERA C	CK725F1E-104Z1	1	332161040R1
PWB1	C1095	C-CERA C	CK725F1E-104Z1	1	332161040R1
PWB1	C1901	TF C	ECQ-V50V-104J	1	374721044T
PWB1	C1902	TF C	ECQ-V50V-104J	1	374721044T
PWB1	C1903	UTSK C	CE04W25V-3300M(UTSK)	1	398353327S
PWB1	C1904	UTSK C	CE04W25V-3300M(UTSK)	1	398353327S
PWB1	C4051	ROB C	CE04W25V-47M(ROB)	1	395854707T
PWB1	C4052	ROB C	CE04W25V-47M(ROB)	1	395854707T
PWB1	C4055	UPZ C	2AUPZTF101JE	1	376331014T
PWB1	C4056	UPZ C	2AUPZTF101JE	1	376331014T
PWB1	C4061	ROB C	CE04W25V-47M(ROB)	1	395854707T
PWB1	C4062	ROB C	CE04W25V-47M(ROB)	1	395854707T
PWB1	C4063	TF C	ECQ-V50V-104J	1	374721044T

PWB1	C4064	TF C	ECQ-V50V-104J	1	374721044T
PWB1	C4065	TF C	ECQ-V50V-104J	1	374721044T
PWB1	C4066	TF C	ECQ-V50V-104J	1	374721044T
PWB1	C4201	UTSP C	CE04W10V-220M(UTSP)	1	397532217T
PWB1	C4202	C-FILM C	ECHU16V-104J	1	373041044R2
PWB1	C4204	ROB C	CE04W25V-47M(ROB)	1	395854707T
PWB1	C4205	UTSP C	CE04W10V-220M(UTSP)	1	397532217T
PWB1	C4206	C-FILM C	ECHU16V-104J	1	373041044R2
PWB1	C4207	C-FILM C	ECHU16V-104J	1	373041044R2
PWB1	C4208	UTSP C	CE04W10V-220M(UTSP)	1	397532217T
PWB1	C4209	C-FILM C	ECHU16V-104J	1	373041044R2
PWB1	C4210	C-FILM C	ECHU16V-104J	1	373041044R2
PWB1	C4211	UTSP C	CE04W10V-220M(UTSP)	1	397532217T
PWB1	C4212	C-FILM C	ECHU16V-104J	1	373041044R2
PWB1	C4213	ROB C	CE04W25V-47M(ROB)	1	395854707T
PWB1	C4214	UTSP C	CE04W10V-220M(UTSP)	1	397532217T
PWB1	C4215	C-FILM C	ECHU16V-104J	1	373041044R2
PWB1	C4216	C-FILM C	ECHU16V-104J	1	373041044R2
PWB1	C4217	UTSP C	CE04W10V-220M(UTSP)	1	397532217T
PWB1	C4218	C-FILM C	ECHU16V-104J	1	373041044R2
PWB1	C4219	UTSK C	CE04W16V-1000M(UTSK)	1	398341027S
PWB1	C4220	TF C	ECQ-V50V-104J	1	374721044T
PWB1	C4300	UTSP C	CE04W25V-47M(UTSP)	1	397554707T

PWB1	C4301	UTSP C	CE04W50V-22M(UTSP)	1	397582207T	
PWB1	C4302	C-CERA C	CC725CH1H-330J1	1	342103304R1	
PWB1	C4303	UTSP C	CE04W50V-22M(UTSP)	1	397582207T	
PWB1	C4304	C-CERA C	CC725CH1H-471J1	1	342104714R1	
PWB1	C4305	UTSP C	CE04W50V-22M(UTSP)	1	397582207T	
PWB1	C4400	UTSP C	CE04W25V-47M(UTSP)	1	397554707T	
PWB1	C4401	UTSP C	CE04W50V-22M(UTSP)	1	397582207T	
PWB1	C4402	C-CERA C	CC725CH1H-330J1	1	342103304R1	
PWB1	C4403	UTSP C	CE04W50V-22M(UTSP)	1	397582207T	
PWB1	C4404	C-CERA C	CC725CH1H-471J1	1	342104714R1	
PWB1	C4405	UTSP C	CE04W50V-22M(UTSP)	1	397582207T	
PWB1	C4501	UTSP C	CE04W50V-22M(UTSP)	1	397582207T	
PWB1	C4502	C-CERA C	CC725CH1H-330J1	1	342103304R1	
PWB1	C4503	UTSP C	CE04W50V-22M(UTSP)	1	397582207T	
PWB1	C4504	C-CERA C	CC725CH1H-471J1	1	342104714R1	
PWB1	C4505	UTSP C	CE04W50V-22M(UTSP)	1	397582207T	
PWB1	C4601	UTSP C	CE04W50V-22M(UTSP)	1	397582207T	
PWB1	C4602	C-CERA C	CC725CH1H-330J1	1	342103304R1	
PWB1	C4603	UTSP C	CE04W50V-22M(UTSP)	1	397582207T	
PWB1	C4604	C-CERA C	CC725CH1H-471J1	1	342104714R1	
PWB1	C4605	UTSP C	CE04W50V-22M(UTSP)	1	397582207T	
PWB1	C4701	MKT C	B32529C0152J289	1	376491524T	
PWB1	C4701 or	UMXR C	1HUMXRTF152JE	(1)	376521524T	N
PWB1	C4702	MKT C	B32529C0152J289	1	376491524T	
PWB1	C4702 or	UMXR C	1HUMXRTF152JE	(1)	376521524T	N
PWB1	C4703	UTSP C	CE04W50V-22M(UTSP)	1	397582207T	
PWB1	C4704	UTSP C	CE04W50V-22M(UTSP)	1	397582207T	
PWB1	C4705	MKT C	B32529C0152J289	1	376491524T	
PWB1	C4705 or	UMXR C	1HUMXRTF152JE	(1)	376521524T	N
PWB1	C4706	MKT C	B32529C0152J289	1	376491524T	
PWB1	C4706 or	UMXR C	1HUMXRTF152JE	(1)	376521524T	N
PWB1	C4707	MKT C	B32529C0152J289	1	376491524T	
PWB1	C4707 or	UMXR C	1HUMXRTF152JE	(1)	376521524T	N
PWB1	C4708	MKT C	B32529C0152J289	1	376491524T	
PWB1	C4708 or	UMXR C	1HUMXRTF152JE	(1)	376521524T	N
PWB1	C4709	UTSP C	CE04W50V-22M(UTSP)	1	397582207T	
PWB1	C4710	UTSP C	CE04W50V-22M(UTSP)	1	397582207T	

PWB1	C4713	UTSP C	CE04W50V-22M(UTSP)	1	397582207T	
PWB1	C4714	UTSP C	CE04W50V-22M(UTSP)	1	397582207T	
PWB1	C4715	MKT C	B32529C0332J289	1	376493324T	
PWB1	C4715 or	UMXR C	1HUMXRTF332JE	(1)	376523324T	N
PWB1	C4716	MKT C	B32529C0332J289	1	376493324T	
PWB1	C4716 or	UMXR C	1HUMXRTF332JE	(1)	376523324T	N
PWB1	C4901	C-FILM C	ECHU16V-104J	1	373041044R2	
PWB1	C4902	UTSP C	CE04W16V-470M(UTSP)	1	397544717T	
PWB1	C4903	C-FILM C	ECHU16V-104J	1	373041044R2	
PWB1	C4904	UTSP C	CE04W16V-470M(UTSP)	1	397544717T	
PWB1	C4905	UTSP C	CE04W25V-100M(UTSP)	1	397551017T	
PWB1	C4906	C-FILM C	ECHU16V-104J	1	373041044R2	
PWB1	C4907	UTSK C	CE04W16V-2200M(UTSK)	1	398342227S	
PWB1	C4908	UTSK C	CE04W16V-2200M(UTSK)	1	398342227S	
PWB1	C4910	ELECT C	CE69W35V-4700M	1	3504477	N
PWB1	C4911	TF C	ECQ-V50V-104J	1	374721044T	
PWB1	C4912	TF C	ECQ-V50V-104J	1	374721044T	
PWB1	C4913	UTSJ C	CE04W25V-47M(UTSJ)	1	398054707AT	N
PWB1	C4914	UTSK C	CE04W16V-2200M(UTSK)	1	398342227S	
PWB1	C4915	UTSK C	CE04W16V-2200M(UTSK)	1	398342227S	
PWB1	C4916	UTSJ C	CE04W25V-47M(UTSJ)	1	398054707AT	N
PWB1	C4918	TF C	ECQ-V50V-104J	1	374721044T	
PWB1	C4919	ELECT C	CE69W35V-4700M	1	3504477	N

PWB1	C4920	TF C	ECQ-V50V-104J	1	374721044T	
PWB1	C4921	C-FILM C	ECHU16V-104J	1	373041044R2	
PWB1	C4922	UTSP C	CE04W16V-470M(UTSP)	1	397544717T	
PWB1	C4923	UTSP C	CE04W16V-470M(UTSP)	1	397544717T	
PWB1	C4924	C-FILM C	ECHU16V-104J	1	373041044R2	
PWB1	C4928	UTSP C	CE04W25V-100M(UTSP)	1	397551017T	
PWB1	C4929	UTSP C	CE04W25V-100M(UTSP)	1	397551017T	
PWB1	C4930	TF C	ECQ-V50V-104J	1	374721044T	
PWB1	C4931	TF C	ECQ-V50V-104J	1	374721044T	
PWB1	C4932	TF C	ECQ-V50V-104J	1	374721044T	
PWB1	C4933	TF C	ECQ-V50V-104J	1	374721044T	
PWB1	[RESISTOR]					
PWB1	R1001	C-CARBON R	RN72K1J-470JE	1	435034704R1	
PWB1	R1002	C-CARBON R	RN72K1J-470JE	1	435034704R1	
PWB1	R1003	C-CARBON R	RN72K1J-101JE	1	435031014R1	
PWB1	R1004	C-CARBON R	RN72K1J-101JE	1	435031014R1	
PWB1	R1005	C-CARBON R	RN72K1J-101JE	1	435031014R1	
PWB1	R1006	C-CARBON R	RN72K1J-101JE	1	435031014R1	
PWB1	R1007	C-CARBON R	RN72K1J-101JE	1	435031014R1	
PWB1	R1008	C-CARBON R	RN72K1J-101JE	1	435031014R1	
PWB1	R1009	FUSE	1A-TUL-125V	1	252377T	!
PWB1	R1010	C-CARBON R	RN72K1J-104JE	1	435031044R1	
PWB1	R1011	C-CARBON R	RN72K1J-101JE	1	435031014R1	
PWB1	R1012	C-CARBON R	RN72K1J-101JE	1	435031014R1	
PWB1	R1013	C-CARBON R	RN72K1J-470JE	1	435034704R1	
PWB1	R1014	C-CARBON R	RN72K1J-101JE	1	435031014R1	
PWB1	R1015	C-CARBON R	RN72K1J-470JE	1	435034704R1	
PWB1	R1018	C-CARBON R	RN72K1J-101JE	1	435031014R1	
PWB1	R1019	C-CARBON R	RN72K1J-470JE	1	435034704R1	
PWB1	R1020	C-CARBON R	RN72K1J-101JE	1	435031014R1	
PWB1	R1021	C-CARBON R	RN72K1J-101JE	1	435031014R1	
PWB1	R1022	C-CARBON R	RN72K1J-332JE	1	435033324R1	
PWB1	R1023	TRIM R	N06HR100KBC	1	5210395T	
PWB1	R1025	C-CARBON R	RN72K1J-470JE	1	435034704R1	
PWB1	R1026	C-CARBON R	RN72K1J-470JE	1	435034704R1	
PWB1	R1027	C-CARBON R	RN72K1J-470JE	1	435034704R1	
PWB1	R1028	C-CARBON R	RN72K1J-470JE	1	435034704R1	

PWB1	R1029	C-CARBON R	RN72K1J-470JE	1	435034704R1
PWB1	R1030	C-CARBON R	RN72K1J-272JE	1	435032724R1
PWB1	R1031	C-CARBON R	RN72K1J-470JE	1	435034704R1
PWB1	R1032	C-CARBON R	RN72K1J-103JE	1	435031034R1
PWB1	R1033	C-CARBON R	RN72K1J-470JE	1	435034704R1
PWB1	R1034	C-CARBON R	RN72K1J-104JE	1	435031044R1
PWB1	R1035	C-CARBON R	RN72K1J-470JE	1	435034704R1
PWB1	R1036	C-CARBON R	RN72K1J-104JE	1	435031044R1
PWB1	R1037	C-CARBON R	RN72K1J-470JE	1	435034704R1
PWB1	R1038	C-CARBON R	RN72K1J-104JE	1	435031044R1
PWB1	R1039	C-CARBON R	RN72K1J-470JE	1	435034704R1
PWB1	R1040	C-CARBON R	RN72K1J-470JE	1	435034704R1
PWB1	R1041	C-CARBON R	RN72K1J-470JE	1	435034704R1
PWB1	R1042	C-CARBON R	RN72K1J-470JE	1	435034704R1
PWB1	R1043	C-CARBON R	RN72K1J-470JE	1	435034704R1
PWB1	R1044	C-CARBON R	RN72K1J-470JE	1	435034704R1
PWB1	R1046	C-CARBON R	RN72K1J-154JE	1	435031544R1
PWB1	R1047	C-CARBON R	RN72K1J-101JE	1	435031014R1
PWB1	R1048	C-CARBON R	RN72K1J-101JE	1	435031014R1
PWB1	R1050	C-CARBON R	RN72K1J-104JE	1	435031044R1
PWB1	R1051	C-CARBON R	RN72K1J-101JE	1	435031014R1
PWB1	R1052	C-CARBON R	RN72K1J-272JE	1	435032724R1
PWB1	R1053	C-CARBON R	RN72K1J-272JE	1	435032724R1

PWB1	R1054	C-CARBON R	RN72K1J-272JE	1	435032724R1
PWB1	R1055	C-CARBON R	RN72K1J-000JE	1	435030004R1
PWB1	R1056	C-CARBON R	RN72K1J-000JE	1	435030004R1
PWB1	R1057	C-CARBON R	RN72K1J-103JE	1	435031034R1
PWB1	R1058	C-CARBON R	RN72K1J-182JE	1	435031824R1
PWB1	R1059	C-CARBON R	RN72K1J-334JE	1	435033344R1
PWB1	R1060	C-CARBON R	RN72K1J-153JE	1	435031534R1
PWB1	R1061	C-CARBON R	RN72K1J-470JE	1	435034704R1
PWB1	R1062	C-CARBON R	RN72K1J-470JE	1	435034704R1
PWB1	R1063	C-CARBON R	RN72K1J-223JE	1	435032234R1
PWB1	R1064	C-CARBON R	RN72K1J-473JE	1	435034734R1
PWB1	R1065	C-CARBON R	RN72K1J-223JE	1	435032234R1
PWB1	R1066	C-CARBON R	RN72K1J-223JE	1	435032234R1
PWB1	R1067	C-CARBON R	RN72K1J-470JE	1	435034704R1
PWB1	R1068	C-CARBON R	RN72K1J-470JE	1	435034704R1
PWB1	R1069	C-CARBON R	RN72K1J-223JE	1	435032234R1
PWB1	R1070	C-CARBON R	RN72K1J-473JE	1	435034734R1
PWB1	R1071	C-CARBON R	RN72K1J-221FE	1	435032212R1
PWB1	R1073	C-CARBON R	RN72K1J-331JE	1	435033314R1
PWB1	R1074	C-CARBON R	RN72K1J-473JE	1	435034734R1
PWB1	R1077	C-CARBON R	RN72K1J-103JE	1	435031034R1
PWB1	R1078	C-CARBON R	RN72K1J-103JE	1	435031034R1
PWB1	R1082	C-CARBON R	RN72K1J-153JE	1	435031534R1
PWB1	R1083	C-CARBON R	RN72K1J-470JE	1	435034704R1
PWB1	R1084	C-CARBON R	RN72K1J-153JE	1	435031534R1
PWB1	R1085	C-CARBON R	RN72K1J-000JE	1	435030004R1
PWB1	R1086	C-CARBON R	RN72K1J-222JE	1	435032224R1
PWB1	R1087	C-CARBON R	RN72K1J-000JE	1	435030004R1
PWB1	R1088	C-CARBON R	RN72K1J-222JE	1	435032224R1
PWB1	R1089	C-CARBON R	RN72K1J-000JE	1	435030004R1
PWB1	R1091	C-CARBON R	RN72K1J-000JE	1	435030004R1
PWB1	R1092	C-CARBON R	RN72K1J-000JE	1	435030004R1
PWB1	R1093	C-CARBON R	RN72K1J-105JE	1	435031054R1
PWB1	R1094	C-CARBON R	RN72K1J-000JE	1	435030004R1
PWB1	R1095	C-CARBON R	RN72K1J-331JE	1	435033314R1
PWB1	R1096	C-CARBON R	RN72K1J-332JE	1	435033324R1
PWB1	R1097	C-CARBON R	RN72K1J-000JE	1	435030004R1

PWB1	R1099	C-CARBON R	RN72K1J-000JE	1	435030004R1
PWB1	R1100	C-CARBON R	RN72K1J-000JE	1	435030004R1
PWB1	R1101	C-CARBON R	RN72K1J-221JE	1	435032214R1
PWB1	R1102	C-CARBON R	RN72K1J-000JE	1	435030004R1
PWB1	R1103	C-CARBON R	RN72K1J-123JE	1	435031234R1
PWB1	R1105	C-CARBON R	RN72K1J-153JE	1	435031534R1
PWB1	R1106	C-CARBON R	RN72K1J-100JE	1	435031004R1
PWB1	R1107	C-CARBON R	RN72K1J-222JE	1	435032224R1
PWB1	R1112	C-CARBON R	RN72K1J-470JE	1	435034704R1
PWB1	R1113	C-CARBON R	RN72K1J-331JE	1	435033314R1
PWB1	R1114	C-CARBON R	RN72K1J-470JE	1	435034704R1
PWB1	R1115	C-CARBON R	RN72K1J-470JE	1	435034704R1
PWB1	R1117	C-CARBON R	RN72K1J-331JE	1	435033314R1
PWB1	R1118	C-CARBON R	RN72K1J-331JE	1	435033314R1
PWB1	R1119	C-CARBON R	RN72K1J-470JE	1	435034704R1
PWB1	R1120	C-CARBON R	RN72K1J-470JE	1	435034704R1
PWB1	R1123	C-CARBON R	RN72K1J-330JE	1	435033304R1
PWB1	R1124	C-CARBON R	RN72K1J-330JE	1	435033304R1
PWB1	R1126	C-CARBON R	RN72K1J-470JE	1	435034704R1
PWB1	R1127	C-CARBON R	RN72K1J-471JE	1	435034714R1
PWB1	R1134	C-CARBON R	RN72K1J-102JE	1	435031024R1
PWB1	R1135	C-CARBON R	RN72K1J-101JE	1	435031014R1
PWB1	R1136	C-CARBON R	RN72K1J-470JE	1	435034704R1

PWB1	R1137	C-CARBON R	RN72K1J-272JE	1	435032724R1	
PWB1	R1138	C-CARBON R	RN72K1J-563JE	1	435035634R1	
PWB1	R1139	C-CARBON R	RN72K1J-563JE	1	435035634R1	
PWB1	R1140	C-CARBON R	RN72K1J-153JE	1	435031534R1	
PWB1	R1141	C-CARBON R	RN72K1J-470JE	1	435034704R1	
PWB1	R1142	C-CARBON R	RN72K1J-101JE	1	435031014R1	
PWB1	R1143	C-CARBON R	RN72K1J-331JE	1	435033314R1	
PWB1	R1144	C-CARBON R	RN72K1J-103JE	1	435031034R1	
PWB1	R1145	C-CARBON R	RN72K1J-103JE	1	435031034R1	
PWB1	R1146	C-CARBON R	RN72K1J-222JE	1	435032224R1	
PWB1	R1147	C-CARBON R	RN72K1J-331JE	1	435033314R1	
PWB1	R1148	C-CARBON R	RN72K1J-000JE	1	435030004R1	
PWB1	R1149	C-CARBON R	RN72K1J-000JE	1	435030004R1	
PWB1	R1150	C-CARBON R	RN72K1J-000JE	1	435030004R1	
PWB1	R1151	METAL R	RNU1WCJ-0.22	1	453632294T	!
PWB1	R1152	C-CARBON R	RN72K1J-104JE	1	435031044R1	
PWB1	R1153	C-CARBON R	RN72K1J-101JE	1	435031014R1	
PWB1	R1154	C-CARBON R	RN72K1J-682JE	1	435036824R1	
PWB1	R4079	C-CARBON R	RN72K1J-101JE	1	435031014R1	
PWB1	R4080	C-CARBON R	RN72K1J-101JE	1	435031014R1	
PWB1	R4081	C-CARBON R	RN72K1J-101JE	1	435031014R1	
PWB1	R4082	C-CARBON R	RN72K1J-101JE	1	435031014R1	
PWB1	R4083	C-CARBON R	RN72K1J-101JE	1	435031014R1	
PWB1	R4084	C-CARBON R	RN72K1J-101JE	1	435031014R1	
PWB1	R4087	C-CARBON R	RN72K1J-224JE	1	435032244R1	
PWB1	R4088	C-CARBON R	RN72K1J-224JE	1	435032244R1	
PWB1	R4089	C-CARBON R	RN72K1J-152JE	1	435031524R1	
PWB1	R4090	C-CARBON R	RN72K1J-152JE	1	435031524R1	
PWB1	R4091	C-CARBON R	RN72K1J-152JE	1	435031524R1	
PWB1	R4092	C-CARBON R	RN72K1J-152JE	1	435031524R1	
PWB1	R4093	C-CARBON R	RN72K1J-102JE	1	435031024R1	
PWB1	R4201	C-CARBON R	RN72K2E-047JE	1	435220474R1	
PWB1	R4202	C-CARBON R	RN72K2E-010JE	1	435220104R1	
PWB1	R4203	C-CARBON R	RN72K1J-103JE	1	435031034R1	
PWB1	R4204	C-CARBON R	RN72K1J-331JE	1	435033314R1	
PWB1	R4205	C-CARBON R	RN72K1J-331JE	1	435033314R1	
PWB1	R4206	C-CARBON R	RN72K1J-331JE	1	435033314R1	

PWB1	R4207	C-CARBON R	RN72K1J-331JE	1	435033314R1	
PWB1	R4208	CARBON R	R16J-10K	1	417341034T	
PWB1	R4209	C-CARBON R	RN72K1J-331JE	1	435033314R1	
PWB1	R4210	C-CARBON R	RN72K1J-331JE	1	435033314R1	
PWB1	R4211	C-CARBON R	RN72K1J-331JE	1	435033314R1	
PWB1	R4213	C-CARBON R	RN72K1J-331JE	1	435033314R1	
PWB1	R4214	C-CARBON R	RN72K2E-047JE	1	435220474R1	
PWB1	R4215	C-CARBON R	RN72K2E-047JE	1	435220474R1	
PWB1	R4216	C-CARBON R	RN72K1J-103JE	1	435031034R1	
PWB1	R4217	C-CARBON R	RN72K1J-331JE	1	435033314R1	
PWB1	R4218	C-CARBON R	RN72K1J-331JE	1	435033314R1	
PWB1	R4219	C-CARBON R	RN72K1J-331JE	1	435033314R1	
PWB1	R4220	C-CARBON R	RN72K2E-010JE	1	435220104R1	
PWB1	R4221	C-CARBON R	RN72K1J-331JE	1	435033314R1	
PWB1	R4222	CARBON R	R16J-10K	1	417341034T	
PWB1	R4223	C-CARBON R	RN72K1J-331JE	1	435033314R1	
PWB1	R4224	C-CARBON R	RN72K1J-331JE	1	435033314R1	
PWB1	R4225	C-CARBON R	RN72K1J-331JE	1	435033314R1	
PWB1	R4227	C-CARBON R	RN72K1J-331JE	1	435033314R1	
PWB1	R4228	C-CARBON R	RN72K2E-047JE	1	435220474R1	
PWB1	R4229	C-CARBON R	RN72K1J-224JE	1	435032244R1	
PWB1	R4230	METAL O R	RS1WBJ-470	1	443624714T	!
PWB1	R4231	C-CARBON R	RN72K1J-104JE	1	435031044R1	

PWB1	R4232	C-CARBON R	RN72K1J-103JE	1	435031034R1
PWB1	R4234	C-CARBON R	RN72K1J-331JE	1	435033314R1
PWB1	R4237	C-CARBON R	RN72K1J-681JE	1	435036814R1
PWB1	R4238	C-CARBON R	RN72K1J-101JE	1	435031014R1
PWB1	R4250	C-CARBON R	RN72K1J-331JE	1	435033314R1
PWB1	R4300	C-CARBON R	RN72K1J-101JE	1	435031014R1
PWB1	R4301	C-CARBON R	RN72K1J-821JE	1	435038214R1
PWB1	R4302	C-CARBON R	RN72K1J-273JE	1	435032734R1
PWB1	R4304	C-CARBON R	RN72K1J-220JE	1	435032204R1
PWB1	R4306	C-CARBON R	RN72K1J-392JE	1	435033924R1
PWB1	R4307	C-CARBON R	RN72K1J-470JE	1	435034704R1
PWB1	R4309	C-CARBON R	RN72K1J-562JE	1	435035624R1
PWB1	R4310	C-CARBON R	RN72K1J-331FE	1	435033312R1
PWB1	R4311	C-CARBON R	RN72K1J-821JE	1	435038214R1
PWB1	R4312	C-CARBON R	RN72K1J-470JE	1	435034704R1
PWB1	R4314	C-CARBON R	RN72K1J-392JE	1	435033924R1
PWB1	R4316	C-CARBON R	RN72K1J-220JE	1	435032204R1
PWB1	R4318	C-CARBON R	RN72K1J-821JE	1	435038214R1
PWB1	R4319	C-CARBON R	RN72K1J-273JE	1	435032734R1
PWB1	R4320	C-CARBON R	RN72K1J-101JE	1	435031014R1
PWB1	R4321	C-CARBON R	RN72K1J-222JE	1	435032224R1
PWB1	R4322	C-CARBON R	RN72K1J-152JE	1	435031524R1
PWB1	R4323	C-CARBON R	RN72K1J-392JE	1	435033924R1
PWB1	R4324	C-CARBON R	RN72K1J-392JE	1	435033924R1
PWB1	R4330	C-CARBON R	RN72K1J-331JE	1	435033314R1
PWB1	R4331	C-CARBON R	RN72K1J-223JE	1	435032234R1
PWB1	R4332	C-CARBON R	RN72K1J-100JE	1	435031004R1
PWB1	R4400	C-CARBON R	RN72K1J-101JE	1	435031014R1
PWB1	R4401	C-CARBON R	RN72K1J-821JE	1	435038214R1
PWB1	R4402	C-CARBON R	RN72K1J-273JE	1	435032734R1
PWB1	R4404	C-CARBON R	RN72K1J-220JE	1	435032204R1
PWB1	R4406	C-CARBON R	RN72K1J-392JE	1	435033924R1
PWB1	R4407	C-CARBON R	RN72K1J-470JE	1	435034704R1
PWB1	R4409	C-CARBON R	RN72K1J-562JE	1	435035624R1
PWB1	R4410	C-CARBON R	RN72K1J-331FE	1	435033312R1
PWB1	R4411	C-CARBON R	RN72K1J-821JE	1	435038214R1
PWB1	R4412	C-CARBON R	RN72K1J-470JE	1	435034704R1

PWB1	R4414	C-CARBON R	RN72K1J-392JE	1	435033924R1
PWB1	R4416	C-CARBON R	RN72K1J-220JE	1	435032204R1
PWB1	R4418	C-CARBON R	RN72K1J-821JE	1	435038214R1
PWB1	R4419	C-CARBON R	RN72K1J-273JE	1	435032734R1
PWB1	R4420	C-CARBON R	RN72K1J-101JE	1	435031014R1
PWB1	R4421	C-CARBON R	RN72K1J-222JE	1	435032224R1
PWB1	R4422	C-CARBON R	RN72K1J-152JE	1	435031524R1
PWB1	R4423	C-CARBON R	RN72K1J-392JE	1	435033924R1
PWB1	R4424	C-CARBON R	RN72K1J-392JE	1	435033924R1
PWB1	R4430	C-CARBON R	RN72K1J-331JE	1	435033314R1
PWB1	R4431	C-CARBON R	RN72K1J-223JE	1	435032234R1
PWB1	R4432	C-CARBON R	RN72K1J-100JE	1	435031004R1
PWB1	R4500	C-CARBON R	RN72K1J-101JE	1	435031014R1
PWB1	R4501	C-CARBON R	RN72K1J-821JE	1	435038214R1
PWB1	R4502	C-CARBON R	RN72K1J-273JE	1	435032734R1
PWB1	R4504	C-CARBON R	RN72K1J-220JE	1	435032204R1
PWB1	R4506	C-CARBON R	RN72K1J-392JE	1	435033924R1
PWB1	R4507	C-CARBON R	RN72K1J-470JE	1	435034704R1
PWB1	R4509	C-CARBON R	RN72K1J-562JE	1	435035624R1
PWB1	R4510	C-CARBON R	RN72K1J-331FE	1	435033312R1
PWB1	R4511	C-CARBON R	RN72K1J-821JE	1	435038214R1
PWB1	R4512	C-CARBON R	RN72K1J-470JE	1	435034704R1
PWB1	R4514	C-CARBON R	RN72K1J-392JE	1	435033924R1

PWB1	R4516	C-CARBON R	RN72K1J-220JE	1	435032204R1
PWB1	R4518	C-CARBON R	RN72K1J-821JE	1	435038214R1
PWB1	R4519	C-CARBON R	RN72K1J-273JE	1	435032734R1
PWB1	R4520	C-CARBON R	RN72K1J-101JE	1	435031014R1
PWB1	R4521	C-CARBON R	RN72K1J-222JE	1	435032224R1
PWB1	R4522	C-CARBON R	RN72K1J-152JE	1	435031524R1
PWB1	R4523	C-CARBON R	RN72K1J-392JE	1	435033924R1
PWB1	R4524	C-CARBON R	RN72K1J-392JE	1	435033924R1
PWB1	R4530	C-CARBON R	RN72K1J-331JE	1	435033314R1
PWB1	R4532	C-CARBON R	RN72K1J-100JE	1	435031004R1
PWB1	R4600	C-CARBON R	RN72K1J-101JE	1	435031014R1
PWB1	R4601	C-CARBON R	RN72K1J-821JE	1	435038214R1
PWB1	R4602	C-CARBON R	RN72K1J-273JE	1	435032734R1
PWB1	R4604	C-CARBON R	RN72K1J-220JE	1	435032204R1
PWB1	R4606	C-CARBON R	RN72K1J-392JE	1	435033924R1
PWB1	R4607	C-CARBON R	RN72K1J-470JE	1	435034704R1
PWB1	R4609	C-CARBON R	RN72K1J-562JE	1	435035624R1
PWB1	R4610	C-CARBON R	RN72K1J-331FE	1	435033312R1
PWB1	R4611	C-CARBON R	RN72K1J-821JE	1	435038214R1
PWB1	R4612	C-CARBON R	RN72K1J-470JE	1	435034704R1
PWB1	R4614	C-CARBON R	RN72K1J-392JE	1	435033924R1
PWB1	R4616	C-CARBON R	RN72K1J-220JE	1	435032204R1
PWB1	R4618	C-CARBON R	RN72K1J-821JE	1	435038214R1
PWB1	R4619	C-CARBON R	RN72K1J-273JE	1	435032734R1
PWB1	R4620	C-CARBON R	RN72K1J-101JE	1	435031014R1
PWB1	R4621	C-CARBON R	RN72K1J-222JE	1	435032224R1
PWB1	R4622	C-CARBON R	RN72K1J-152JE	1	435031524R1
PWB1	R4623	C-CARBON R	RN72K1J-392JE	1	435033924R1
PWB1	R4624	C-CARBON R	RN72K1J-392JE	1	435033924R1
PWB1	R4630	C-CARBON R	RN72K1J-331JE	1	435033314R1
PWB1	R4632	C-CARBON R	RN72K1J-100JE	1	435031004R1
PWB1	R4701	C-CARBON R	RN72K1J-122FE	1	435031222R1
PWB1	R4702	C-CARBON R	RN72K1J-122FE	1	435031222R1
PWB1	R4703	C-CARBON R	RN72K1J-122FE	1	435031222R1
PWB1	R4704	C-CARBON R	RN72K1J-122FE	1	435031222R1
PWB1	R4705	C-CARBON R	RN72K1J-222FE	1	435032222R1
PWB1	R4706	C-CARBON R	RN72K1J-222FE	1	435032222R1

PWB1	R4707	C-CARBON R	RN72K1J-272JE	1	435032724R1
PWB1	R4708	C-CARBON R	RN72K1J-272JE	1	435032724R1
PWB1	R4709	C-CARBON R	RN72K1J-821JE	1	435038214R1
PWB1	R4710	C-CARBON R	RN72K1J-821JE	1	435038214R1
PWB1	R4711	C-CARBON R	RN72K1J-101JE	1	435031014R1
PWB1	R4712	C-CARBON R	RN72K1J-101JE	1	435031014R1
PWB1	R4713	C-CARBON R	RN72K1J-223JE	1	435032234R1
PWB1	R4714	C-CARBON R	RN72K1J-223JE	1	435032234R1
PWB1	R4715	C-CARBON R	RN72K1J-331JE	1	435033314R1
PWB1	R4716	C-CARBON R	RN72K1J-331JE	1	435033314R1
PWB1	R4717	C-CARBON R	RN72K1J-331JE	1	435033314R1
PWB1	R4718	C-CARBON R	RN72K1J-331JE	1	435033314R1
PWB1	R4719	C-CARBON R	RN72K1J-122FE	1	435031222R1
PWB1	R4720	C-CARBON R	RN72K1J-122FE	1	435031222R1
PWB1	R4721	C-CARBON R	RN72K1J-103JE	1	435031034R1
PWB1	R4722	C-CARBON R	RN72K1J-103JE	1	435031034R1
PWB1	R4723	C-CARBON R	RN72K1J-152JE	1	435031524R1
PWB1	R4724	C-CARBON R	RN72K1J-152JE	1	435031524R1
PWB1	R4725	C-CARBON R	RN72K1J-220JE	1	435032204R1
PWB1	R4726	C-CARBON R	RN72K1J-220JE	1	435032204R1
PWB1	R4727	C-CARBON R	RN72K1J-122FE	1	435031222R1
PWB1	R4728	C-CARBON R	RN72K1J-122FE	1	435031222R1
PWB1	R4729	C-CARBON R	RN72K1J-222FE	1	435032222R1

PWB1	R4730	C-CARBON R	RN72K1J-222FE	1	43503222R1	
PWB1	R4731	C-CARBON R	RN72K1J-561JE	1	435035614R1	
PWB1	R4732	C-CARBON R	RN72K1J-561JE	1	435035614R1	
PWB1	R4733	C-CARBON R	RN72K1J-220JE	1	435032204R1	
PWB1	R4734	C-CARBON R	RN72K1J-220JE	1	435032204R1	
PWB1	R4735	C-CARBON R	RN72K1J-103JE	1	435031034R1	
PWB1	R4736	C-CARBON R	RN72K1J-103JE	1	435031034R1	
PWB1	R4737	C-CARBON R	RN72K1J-331JE	1	435033314R1	
PWB1	R4738	C-CARBON R	RN72K1J-331JE	1	435033314R1	
PWB1	R4739	C-CARBON R	RN72K1J-152JE	1	435031524R1	
PWB1	R4740	C-CARBON R	RN72K1J-152JE	1	435031524R1	
PWB1	R4741	C-CARBON R	RN72K1J-331JE	1	435033314R1	
PWB1	R4742	C-CARBON R	RN72K1J-331JE	1	435033314R1	
PWB1	R4743	C-CARBON R	RN72K1J-223JE	1	435032234R1	
PWB1	R4744	C-CARBON R	RN72K1J-223JE	1	435032234R1	
PWB1	R4745	C-CARBON R	RN72K1J-821JE	1	435038214R1	
PWB1	R4746	C-CARBON R	RN72K1J-821JE	1	435038214R1	
PWB1	R4747	C-CARBON R	RN72K1J-272JE	1	435032724R1	
PWB1	R4748	C-CARBON R	RN72K1J-272JE	1	435032724R1	
PWB1	R4749	C-CARBON R	RN72K1J-101JE	1	435031014R1	
PWB1	R4750	C-CARBON R	RN72K1J-101JE	1	435031014R1	
PWB1	R4751	C-CARBON R	RN72K1J-100JE	1	435031004R1	
PWB1	R4752	C-CARBON R	RN72K1J-100JE	1	435031004R1	
PWB1	R4901	C-CARBON R	RN72K2E-047JE	1	435220474R1	
PWB1	R4902	C-CARBON R	RN72K2E-047JE	1	435220474R1	
PWB1	R4903	METAL R	RNU1/2WCJ-0.22	1	453532294T	!
PWB1	R4904	C-CARBON R	RN72K2E-047JE	1	435220474R1	
PWB1	R4905	CARBON R	R16J-330	1	417343314T	
PWB1	R4906	METAL R	RNU1WCJ-0.47	1	453634794T	!
PWB1	R4907	METAL R	RNU1WCJ-0.47	1	453634794T	!
PWB1	R4908	METAL R	RNU1WCJ-0.47	1	453634794T	!
PWB1	R4909	METAL R	RNU1WCJ-0.47	1	453634794T	!
PWB1	R4910	CARBON R	R16J-330	1	417343314T	
PWB1	R4911	METAL R	RNU1/2WCJ-0.22	1	453532294T	!
PWB1	R4912	C-CARBON R	RN72K2E-047JE	1	435220474R1	
PWB1	R4913	C-CARBON R	RN72K2E-047JE	1	435220474R1	
PWB1	R4914	METAL R	RNU1/2WCJ-0.47	1	453534794T	!

PWB1	R4915	METAL R	RNU1/2WCJ-0.47	1	453534794T	!
PWB1	[SW TRM]					
PWB1	E4001	TRM-423(SCREW)	NEJITANSI ST3	1	25060495	
PWB1	P1005A	SOCKET	NSCT-9P2472	1	25052575R2	
PWB1	P1011	PLUG	NPLG-5P133	1	25055149	
PWB1	P1015A	PLUG	NPLG-5P133	1	25055149	
PWB1	P1016B	SOCKET	NSCT-16P2479	1	25052582R2	
PWB1	P1017	PLUG	NPLG-6P134	1	25055150	
PWB1	P1018	PLUG	NPLG-2P116	1	25055132	
PWB1	P4003	PIN JACK	NPJ-1PDW709	1	25045943	N
PWB1	P4004	PIN JACK	NPJ-1PDR710	1	25045944	N
PWB1	P4500A	PLUG	MB7P-90	1	25056629	
PWB1	P4600A	PLUG	MB7P-90	1	25056629	
PWB1	P4901	PLUG	NPLG-4P151	1	25055167	
PWB1	P7001A	PLUG	IDC 2.54-26P(T)	1	25056679	N
PWB1	P9002C	PLUG	NPLG-13P141	1	25055157	
PWB2	U02-0	DISPLAY PC Board (BADIS-0578-1B)				
PWB2	U02-1	POWER PC Board (BAPS-0580-1B)				
PWB2	U02-2	HOLDER PC Board (BAETC-0581-1B)				
PWB2	U02-3	DIGITAL OUT PC Board (BADG-0582-1B)				
PWB2	U02-4	POWER SWITCH PC Board (BASW-0583-1B)				
PWB2	U02-5	STANDBY SWITCH PC Board (BASW-0585-1B)				

PWB2	CIRCUIT NO.	PART NAME	DESCRIPTION	Q'TY	PART NO. (SN)	REMARKS
PWB2		[SEMI CONDUCTOR]				
PWB2	D7001	LED	SLI-343URC-TB7	1	225452T	
PWB2	D7002	LED	SLR343WBD2P_3-XR/XS_Rank	1	225499A	
PWB2	D7002A	HOLDER	(LED-LH5-2)	1	27191336	
PWB2	D7004	C-DIODE	1SS352	1	223234R2	
PWB2	D7004 or	C-DIODE	1SS355	(1)	223269R2	
PWB2	D7004 or	C-DIODE	MA2J111	(1)	223279R2	
PWB2	D7004 or	C-DIODE	KDS4148U	(1)	223283R2	
PWB2	D7005	C-DIODE	1SS352	1	223234R2	
PWB2	D7005 or	C-DIODE	1SS355	(1)	223269R2	
PWB2	D7005 or	C-DIODE	MA2J111	(1)	223279R2	
PWB2	D7005 or	C-DIODE	KDS4148U	(1)	223283R2	
PWB2	D7006	ZENER D	UDZS11B	1	224551100R2	
PWB2	D7007	ZENER D	UDZS 2.7B	1	224550270R2	
PWB2	D9001	C-DIODE	1SS352	1	223234R2	
PWB2	D9001 or	C-DIODE	1SS355	(1)	223269R2	
PWB2	D9001 or	C-DIODE	MA2J111	(1)	223279R2	
PWB2	D9001 or	C-DIODE	KDS4148U	(1)	223283R2	
PWB2	D9002	C-DIODE	1SS352	1	223234R2	
PWB2	D9002 or	C-DIODE	1SS355	(1)	223269R2	
PWB2	D9002 or	C-DIODE	MA2J111	(1)	223279R2	
PWB2	D9002 or	C-DIODE	KDS4148U	(1)	223283R2	
PWB2	D9003	C-DIODE	1SS352	1	223234R2	
PWB2	D9003 or	C-DIODE	1SS355	(1)	223269R2	
PWB2	D9003 or	C-DIODE	MA2J111	(1)	223279R2	
PWB2	D9003 or	C-DIODE	KDS4148U	(1)	223283R2	
PWB2	D9004	C-DIODE	1SS352	1	223234R2	
PWB2	D9004 or	C-DIODE	1SS355	(1)	223269R2	
PWB2	D9004 or	C-DIODE	MA2J111	(1)	223279R2	
PWB2	D9004 or	C-DIODE	KDS4148U	(1)	223283R2	
PWB2	D9005	C-DIODE	1SS352	1	223234R2	
PWB2	D9005 or	C-DIODE	1SS355	(1)	223269R2	
PWB2	D9005 or	C-DIODE	MA2J111	(1)	223279R2	
PWB2	D9005 or	C-DIODE	KDS4148U	(1)	223283R2	
PWB2	D9006	C-DIODE	1SS352	1	223234R2	
PWB2	D9006 or	C-DIODE	1SS355	(1)	223269R2	

PWB2	D9006 or	C-DIODE	MA2J111	(1)	223279R2
PWB2	D9006 or	C-DIODE	KDS4148U	(1)	223283R2
PWB2	D9007	C-DIODE	1SS352	1	223234R2
PWB2	D9007 or	C-DIODE	1SS355	(1)	223269R2
PWB2	D9007 or	C-DIODE	MA2J111	(1)	223279R2
PWB2	D9007 or	C-DIODE	KDS4148U	(1)	223283R2
PWB2	D9008	C-DIODE	1SS352	1	223234R2
PWB2	D9008 or	C-DIODE	1SS355	(1)	223269R2
PWB2	D9008 or	C-DIODE	MA2J111	(1)	223279R2
PWB2	D9008 or	C-DIODE	KDS4148U	(1)	223283R2
PWB2	D9009	C-DIODE	1SS352	1	223234R2
PWB2	D9009 or	C-DIODE	1SS355	(1)	223269R2
PWB2	D9009 or	C-DIODE	MA2J111	(1)	223279R2
PWB2	D9009 or	C-DIODE	KDS4148U	(1)	223283R2
PWB2	D9010	C-DIODE	1SS352	1	223234R2
PWB2	D9010 or	C-DIODE	1SS355	(1)	223269R2
PWB2	D9010 or	C-DIODE	MA2J111	(1)	223279R2
PWB2	D9010 or	C-DIODE	KDS4148U	(1)	223283R2
PWB2	D9011	C-DIODE	1SS352	1	223234R2
PWB2	D9011 or	C-DIODE	1SS355	(1)	223269R2
PWB2	D9011 or	C-DIODE	MA2J111	(1)	223279R2
PWB2	D9011 or	C-DIODE	KDS4148U	(1)	223283R2
PWB2	D9012	C-DIODE	1SS352	1	223234R2

PWB2	D9012 or	C-DIODE	1SS355	(1)	223269R2	
PWB2	D9012 or	C-DIODE	MA2J111	(1)	223279R2	
PWB2	D9012 or	C-DIODE	KDS4148U	(1)	223283R2	
PWB2	D9013	C-DIODE	S1NB60-4062	1	22380318R2	
PWB2	D9014	C-DIODE	S1NB60-4062	1	22380318R2	
PWB2	Q1014	IC	TC74VHCU04FT	1	22274004HR2TO	
PWB2	Q1016	IC	TC74VHCU04FT	1	22274004HR2TO	
PWB2	Q7001A	FL TUBE	HCV-01SS58T	1	212275	
PWB2	Q7001B	CUSHION	---	2	28141857	
PWB2	Q7002	TR	DTC123JKA	1	2216690R2	
PWB2	Q7003	IC	TJ3965D-ADJ	1	22242683R2	
PWB2	Q7004	TR	2SA1182-Y(TE85R_F)	1	2214384R2	
PWB2	Q7005	TR	DTC123JKA	1	2216690R2	
PWB2	Q7006	TR	2SB1412-P	1	2216881R2	
PWB2	Q7007	TR	DTC123JKA	1	2216690R2	
PWB2	Q7008	IC	MPC2905AT	1	22278005DR2NE	
PWB2	Q7009	TR	DTC123JKA	1	2216690R2	
PWB2	Q7011	REMO SENS	KSM-603TH5B	1	24130020	
PWB2	Q7012	TR	2SC2712-GR	1	2213145R2	
PWB2	Q7013	IC	TC74VHCT541AFT	1	22274541GR2TO	
PWB2	Q9001	TR	DTC123JKA	1	2216690R2	
PWB2	Q9001 or	TR	RN1405	(1)	2214500R2	
PWB2	Q9002	TR	DTC123JKA	1	2216690R2	
PWB2	Q9002 or	TR	RN1405	(1)	2214500R2	
PWB2	Q9003	IC	NJU7706F27A3	1	22242614R2	
PWB2	[TRANS COIL]					
PWB2	L1008	CHOKE COIL	BLM21B222SPT	1	230921R2	
PWB2	L1009	EMIFIL	BK1608LM252-T	1	230956R2	
PWB2	L1010	CHOKE COIL	LBC2518T2R2M	1	231364M022R2	
PWB2	L1011	CHOKE COIL	BLM21B222SPT	1	230921R2	
PWB2	L1012	CHOKE COIL	BLM21B222SPT	1	230921R2	
PWB2	T1001	COIL	DA102C	1	232205	
PWB2	T1002	COIL	DA102C	1	232205	
PWB2	T9001	P TRANS	NPT-1520JQ	1	2301812A	! <B MDC>
PWB2	T9001	P TRANS	NPT-1520GQ	1	2301813A	! <B MPP / S MPP>
PWB2	[CAPACITOR]					
PWB2	C1066	TF C	ECQ-V50V-474J	1	374724744T	

PWB2	C1070	TF C	ECQ-V50V-224J	1	374722244T
PWB2	C1071	UTSP C	CE04W25V-100M(UTSP)	1	397551017T
PWB2	C1082	UTSP C	CE04W25V-100M(UTSP)	1	397551017T
PWB2	C1084	TF C	ECQ-V50V-104J	1	374721044T
PWB2	C1088	TF C	ECQ-V50V-104J	1	374721044T
PWB2	C1089	UTSP C	CE04W10V-220M(UTSP)	1	397532217T
PWB2	C1090	TF C	ECQ-V50V-103J	1	374721034T
PWB2	C1091	UPZ C	2AUPZTF471JE	1	376334714T
PWB2	C1092	UPZ C	2AUPZTF471JE	1	376334714T
PWB2	C7001	ELECT C	CE04W6.3V-100M(S)	1	353721019T
PWB2	C7002	C-CERA C	CK725F1E-104Z1	1	332161040R1
PWB2	C7003	C-CERA C	CK725B1H-102K1	1	332101025R1
PWB2	C7004	ELECT C	CE04W16V-100M	1	355741019T
PWB2	C7005	C-CERA C	CK725F1E-104Z1	1	332161040R1
PWB2	C7006	ELECT C	CE04W6.3V-100M(S)	1	353721019T
PWB2	C7007	ELECT C	CE04W16V-47M(S)	1	353744709T
PWB2	C7009	ELECT C	CE04W16V-100M	1	355741019T
PWB2	C7011	ELECT C	CE04W6.3V-100M(S)	1	353721019T
PWB2	C7012	C-CERA C	CK725F1E-104Z1	1	332161040R1
PWB2	C7013	ELECT C	CE04W6.3V-100M(S)	1	353721019T
PWB2	C7014	C-CERA C	CC725CH1H-102J1	1	342101024R1
PWB2	C7015	C-CERA C	CC725CH1H-102J1	1	342101024R1
PWB2	C7016	ELECT C	CE04W6.3V-100M(S)	1	353721019T

PWB2	C7017	ELECT C	CE04W16V-47M(S)	1	353744709T	
PWB2	C7018	C-CERA C	CK725F1E-104Z1	1	332161040R1	
PWB2	C7020	MKT C	B32529C0102J289	1	376491024T	
PWB2	C7020 or	UMXR C	1HUMXR1F102JE	(1)	376521024T	
PWB2	C9001	TF C	ECQ-V50V-104J	1	374721044T	
PWB2	C9002	UTSK C	CE04W25V-3300M(UTSK)	1	398353327S	
PWB2	C9004	TF C	ECQ-V50V-104J	1	374721044T	
PWB2	C9005	UTSK C	CE04W25V-3300M(UTSK)	1	398353327S	
PWB2	C9007	IS C	RE275V-103M	1	3500196S	!
PWB2	C9008	TF C	ECQ-V50V-104J	1	374721044T	
PWB2	C9011	TF C	ECQ-V50V-104J	1	374721044T	
PWB2	C9014	TF C	ECQ-V50V-104J	1	374721044T	
PWB2	C9015	IS C	RE275V-103M	1	3500196S	!
PWB2	C9017	TF C	ECQ-V50V-104J	1	374721044T	
PWB2	C9018	UTSP C	CE04W25V-470M(UTSP)	1	397554717T	
PWB2	C9019	UTSK C	CE04W16V-2200M(UTSK)	1	398342227S	
PWB2	C9020	UTSP C	CE04W50V-10M(UTSP)	1	397581007T	
PWB2	C9021	TF C	ECQ-V50V-104J	1	374721044T	
PWB2	C9022	IS C	RE275V-103M	1	3500196S	!
PWB2	C9023	TF C	ECQ-V50V-104J	1	374721044T	
PWB2	C9025	C-CERA C	CK725F1E-104Z1	1	332161040R1	
PWB2	[RESISTOR]					
PWB2	R1090	CARBON R	R16J-150	1	417341514T	
PWB2	R1098	CARBON R	R16J-150	1	417341514T	
PWB2	R1104	CARBON R	R16J-150	1	417341514T	
PWB2	R1108	CARBON R	R16J-47	1	417344704T	
PWB2	R1111	CARBON R	R16J-47	1	417344704T	
PWB2	R1121	CARBON R	R16J-8.2	1	417340824T	
PWB2	R1122	CARBON R	R16J-8.2	1	417340824T	
PWB2	R1125	CARBON R	R16J-100	1	417341014T	
PWB2	R1129	CARBON R	R16J-220	1	417342214T	
PWB2	R1130	CARBON R	R16J-47K	1	417344734T	
PWB2	R1131	CARBON R	R16J-10	1	417341004T	
PWB2	R1133	CARBON R	R16J-10	1	417341004T	
PWB2	R1147	CARBON R	R16J-100	1	417341014T	
PWB2	R7001	C-CARBON R	RN72K1J-152JE	1	435031524R1	
PWB2	R7002	C-CARBON R	RN72K1J-152JE	1	435031524R1	

PWB2	R7003	C-CARBON R	RN72K1J-152JE	1	435031524R1
PWB2	R7004	C-CARBON R	RN72K1J-152JE	1	435031524R1
PWB2	R7005	C-CARBON R	RN72K1J-220JE	1	435032204R1
PWB2	R7006	C-CARBON R	RN72K1J-563JE	1	435035634R1
PWB2	R7007	C-CARBON R	RN72K1J-123JE	1	435031234R1
PWB2	R7008	C-CARBON R	RN72K1J-102JE	1	435031024R1
PWB2	R7009	C-CARBON R	RN72K1J-333JE	1	435033334R1
PWB2	R7010	C-CARBON R	RN72K1J-392JE	1	435033924R1
PWB2	R7011	C-CARBON R	RN72K1J-102JE	1	435031024R1
PWB2	R7012	C-CARBON R	RN72K1J-821JE	1	435038214R1
PWB2	R7014	C-CARBON R	RN72K1J-101JE	1	435031014R1
PWB2	R7015	C-CARBON R	RN72K1J-102JE	1	435031024R1
PWB2	R7016	C-CARBON R	RN72K1J-391JE	1	435033914R1
PWB2	R7017	C-CARBON R	RN72K1J-471JE	1	435034714R1
PWB2	R7018	C-CARBON R	RN72K1J-391JE	1	435033914R1
PWB2	R7019	C-CARBON R	RN72K1J-471JE	1	435034714R1
PWB2	R7020	C-CARBON R	RN72K1J-821JE	1	435038214R1
PWB2	R7021	C-CARBON R	RN72K1J-102JE	1	435031024R1
PWB2	R7022	C-CARBON R	RN72K1J-331JE	1	435033314R1
PWB2	R7024	C-CARBON R	RN72K1J-331JE	1	435033314R1
PWB2	R7025	C-CARBON R	RN72K1J-100JE	1	435031004R1
PWB2	R7026	C-CARBON R	RN72K1J-100JE	1	435031004R1
PWB2	R7027	C-CARBON R	RN72K1J-100JE	1	435031004R1

PWB2	R7028	C-CARBON R	RN72K1J-100JE	1	435031004R1	
PWB2	R7030	C-CARBON R	RN72K1J-103JE	1	435031034R1	
PWB2	R7031	C-CARBON R	RN72K1J-103JE	1	435031034R1	
PWB2	R7032	C-CARBON R	RN72K1J-103JE	1	435031034R1	
PWB2	R7033	C-CARBON R	RN72K1J-103JE	1	435031034R1	
PWB2	R7034	C-CARBON R	RN72K1J-103JE	1	435031034R1	
PWB2	R7035	C-CARBON R	RN72K1J-103JE	1	435031034R1	
PWB2	R7036	C-CARBON R	RN72K1J-103JE	1	435031034R1	
PWB2	R7038	C-CARBON R	RN72K1J-000JE	1	435030004R1	
PWB2	R7901	NF CARBON R	R25J-470	1	415474714T	!
PWB2	R9001	METAL O R	RS1/2WBJ-22	1	443522204T	!
PWB2	R9002	METAL O R	RS1/2WBJ-220	1	443522214T	!
PWB2	R9003	C-CARBON R	RN72K1J-331JE	1	435033314R1	
PWB2	R9004	C-CARBON R	RN72K1J-331JE	1	435033314R1	
PWB2	R9006	METAL O R	RS1/2WBJ-330	1	443523314T	!
PWB2	R9007	METAL O R	RS1/2WBJ-390	1	443523914T	!
PWB2	R9008	FUSE	1A-TUL-125V	1	252377T	!
PWB2	R9009	METAL R	RNU1WCJ-1	1	453630104T	!
PWB2	R9010	C-CARBON R	RN72K1J-333JE	1	435033334R1	
PWB2	R9011	C-CARBON R	RN72K1J-103JE	1	435031034R1	
PWB2	R9012	C-CARBON R	RN72K1J-223JE	1	435032234R1	<B MDC>
PWB2	R9012	C-CARBON R	RN72K1J-333JE	1	435033334R1	<B MPP / S MPP>
PWB2	R9013	C-CARBON R	RN72K1J-103JE	1	435031034R1	
PWB2	[SW TRM]					
PWB2	JL7002A	WIRE HOL	NSCT-5P876	1	25051089	
PWB2	JL7002B	WIRE HOL	NSCT-5P876	1	25051089	
PWB2	P1014	PLUG	AC3MAH4-AU-B	1	25053399	N
PWB2	P1015B	SOCKET AS	NSAS-10P1773	1	2009991134UL	
PWB2	P1019	PIN JACK	NPJ-1PDB708	1	25045942	N
PWB2	P7001B	PLUG	IDC 2.54-26P(S)	1	25056678	N
PWB2	P9001	PLUG	NPLG-2P631	1	25055675	!
PWB2	P9002A	SOCKET AS	NSAS-26P1925	1	200C4291330UL	N
PWB2	P9003	PLUG	NPLG-2P631	1	25055675	!
PWB2	P9004A	SOCKET AS	NSAS-4P1705	1	2009991095UL	!
PWB2	P9004C	PLUG	NPLG-2P631	1	25055675	!
PWB2	P9005	PLUG	NPLG-2P631	1	25055675	!
PWB2	P9006	PLUG	NPLG-9P123	1	25055139	

PWB2	RL9001	RELAY	NRL-1P5A-DC9-179	1	25065669	!
PWB2	RL9002	RELAY	NRL-1P10A-DC9-186	1	25065683	!
PWB2	S7001	PUSH SW	NPS-111-S681	1	25035718T	
PWB2	S7002	PUSH SW	NPS-111-S681	1	25035718T	
PWB2	S7003	PUSH SW	NPS-111-S681	1	25035718T	
PWB2	S7004	PUSH SW	NPS-111-S681	1	25035718T	
PWB2	S7005	PUSH SW	NPS-111-S681	1	25035718T	
PWB2	S7006	PUSH SW	NPS-111-S681	1	25035718T	
PWB2	S7007	PUSH SW	NPS-111-S681	1	25035718T	
PWB2	S7008	PUSH SW	NPS-111-S681	1	25035718T	
PWB2	S9501	P SW	NPS-111-L687P(TV-5)	1	25035724	!
PWB2	[TUNER UNIT]					
PWB2	U1002	PHT CP	JST1165-001transmitting	1	24120142	

C-7000R

PACKING PARTS LIST

	REF. NO.	PART NAME	DESCRIPTION	Q'TY	PART NO. (SN)	REMARKS
PACKING	[PACKING]					
PACKING	A401	PAD	(AS)	1	29092550A	N
PACKING	A402	SHEET	T0.51*1100*600	1	29096128	N
PACKING	A404	TAPE	(SEROHAN)NITTO NO.29	1	29110149	
PACKING	A405	PP TAPE	W50 SBT-70	1	29110200	

PACKING	A501	CARTON	MPP/MDC	1	29055177A	N
PACKING	A601A	UPC LABEL	C-7000(B)MDC	{ 1}	29391381	N <B MDC>
PACKING	A601A	EAN LABEL	C-7000(S)MPP	{ 1}	29391386A	N <S MPP>
PACKING	A601A	EAN LABEL	C-7000(B)MPP	{ 1}	29391387A	N <B MPP>
PACKING	A701	SHEET	(ACC)A4	1	29096115A	N
PACKING	[ACCESSARY]					
PACKING	A062	REMO CON	RC-796C	1	24140796	
PACKING	A063	BATTERY	R03/AAA(UM-4)	2	3010124	
PACKING	A063 or	BATTERY	R03/24D(UM-4)	(2)	3010503	
PACKING	A801	WRNTY CARD	(ONKYO)	1	29365135	<B MDC>
PACKING	A803	INST SHEET	WEEE	1	29355793A	<B MPP / S MPP>
PACKING	A804	CORD AS	PIN CORD AS	1	2010381	
PACKING	A804 or	CORD AS	PIN CORD AS	(1)	2010326	
PACKING	A806	AC CORD	AS-CEE-3	1	253298VOL	! <B MPP / S MPP>
PACKING	A806	AC CORD	AS-UC-2	1	253301VOL	! <B MDC>
PACKING	A851	INS MANUAL	En(C-7000)	1	29400529	N
PACKING	A852	INS MANUAL	U2FrEs(C-7000)	1	29400530	N
PACKING	A853	INS MANUAL	U2ItDe(C-7000)	1	29400531	N <B MPP / S MPP>
PACKING	A854	INS MANUAL	U2NiSv(C-7000)	1	29400532	N <B MPP / S MPP>
PACKING	A901	POLY BAG	w250xd350	1	29100250A	
PACKING	A902	TAPE	(SEROHAN)NITTO NO.29	1	29110149	

ONKYO CORPORATION

Service Dept. Technical Support : 2-1, Nisshin-cho, Neyagawa-shi, OSAKA 572-8540, JAPAN
Tel: 072-831-8023 Fax: 072-831-8163

ONKYO U.S.A. CORPORATION

18 Park Way, Upper Saddle River, N.J. 07458, U.S.A.
Tel: 800-229-1687, 201-785-2600 Fax: 201-785-2650 <http://www.us.onkyo.com/>

ONKYO EUROPE ELECTRONICS GmbH

Liegnitzerstrasse 6, 82194 Groebenzell, GERMANY
Tel: +49-8142-4401-0 Fax: +49-8142-4401-555 <http://www.eu.onkyo.com/>

ONKYO EUROPE ELECTRONICS GmbH (UK BRANCH)

The Coach House 81A High Street, Marlow, Buckinghamshire, SL7 1AB, UK
Tel: +44-(0)1628-473-350 Fax: +44-(0)1628-401-700

ONKYO CHINA LIMITED

Unit 1&12, 9/F, Ever Gain Plaza Tower 1, 88, Container Port Road, Kwai Chung,
N.T., Hong Kong. Tel: 852-2429-3118 Fax: 852-2428-9039
<http://www.ch.onkyo.com/>

