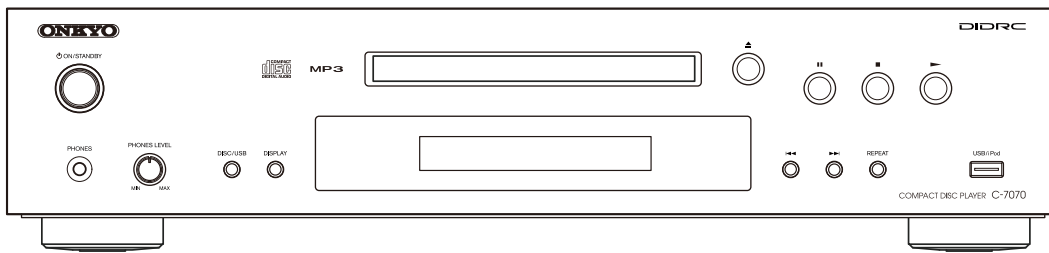


# ONKYO® SERVICE MANUAL

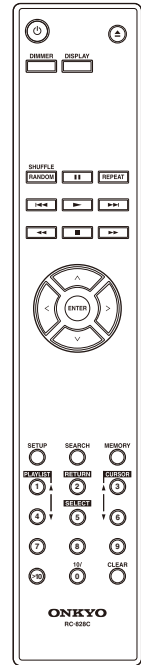
Ref. No. 4353  
MPP:102011  
MDC:112011  
MJJ:112011

## CD PLAYER MODEL C-7070(B)/(S)




### Black and Silver models

B MPP	230V AC, 50Hz
S MPP	230V AC, 50Hz
B MDC	120V AC, 60Hz
S MJJ	100V AC, 50/60Hz



RC-828C

### SAFETY-RELATED COMPONENT WARNING!!

COMPONENTS IDENTIFIED BY MARK  ON THE SCHEMATIC DIAGRAM AND IN THE PARTS LIST ARE CRITICAL FOR RISK OF FIRE AND ELECTRIC SHOCK. REPLACE THESE COMPONENTS WITH ONKYO PARTS WHOSE PART NUMBERS APPEAR AS SHOWN IN THIS MANUAL.

MAKE LEAKAGE-CURRENT OR RESISTANCE MEASUREMENTS TO DETERMINE THAT EXPOSED PARTS ARE ACCEPTABLY INSULATED FROM THE SUPPLY CIRCUIT BEFORE RETURNING THE APPLIANCE TO THE CUSTOMER.

ONKYO SOUND & VISION CORPORATION  
Service Department

A

B

C

D

## Service Procedure

### 1. Displaying a software version information.

The state of a NO DISC. While holding down [||<<], press [STOP] first and then [PAUSE] to display a software version. And then while holding down [||<<], press [STOP] first and then [PAUSE] to display a model name.

### 2. Error rate check.

The state of playing back mode. While holding down [PLAY], press [STOP] and [PAUSE] together to display [Error rate] information.

### 3. Initialize.

The state of a NO DISC. While holding down [||>>]], press [Standby/On]. "Clear" will appear on the display and C-7070 will enter standby mode.

1

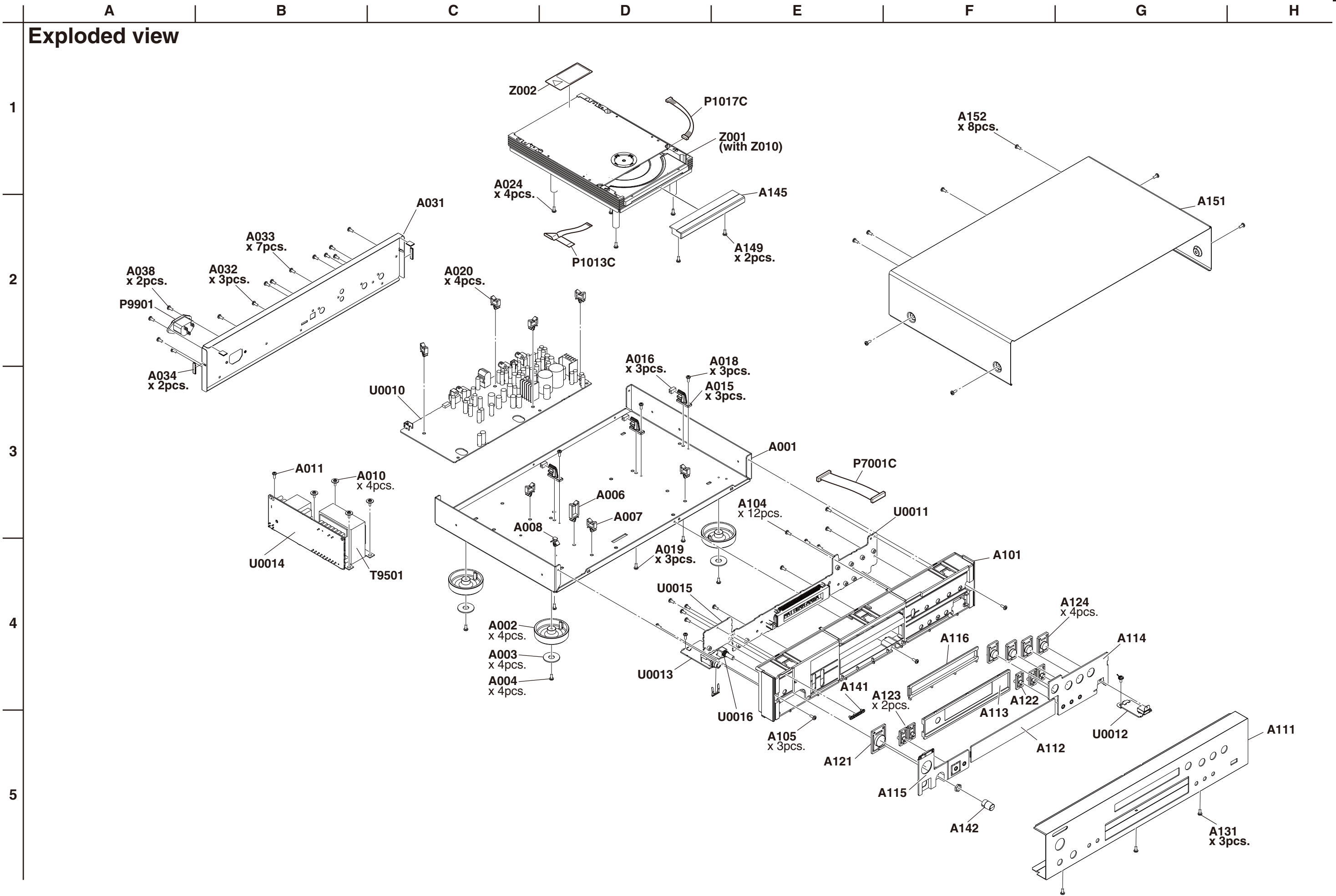
2

3

4

5

Exploded view



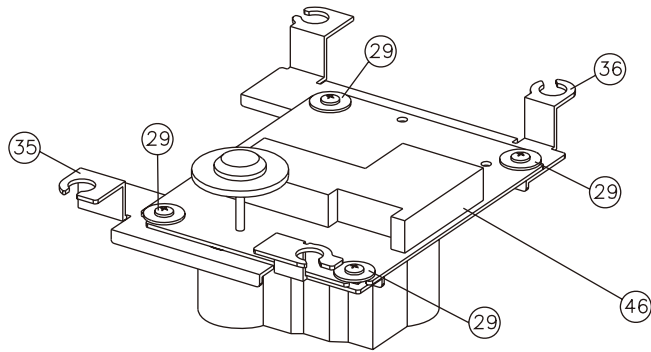
# EXPLODED VIEWS OF MECHANISM - 1/4

MECHA. ASS'Y : TC-7000DA-1 (SN 24800063A) = (A)+(B)+(C)+(D)+(E)

(A) TRAVERSE MECHA ASSY

TRAVERSE-MECHA-ASSY

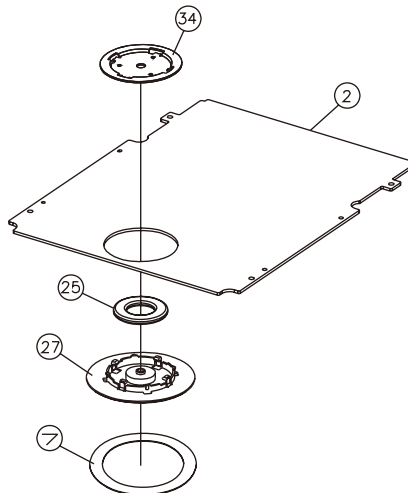
NO.	PARTS CORD	PART NAME	Q'ty
A	---	TRAVERSE-MECHA-ASSY	1
-46	24800060	TRAVERSE MECHA DA11VF	(1)
-29	---	M2.6*8ゲッキφ1.2コネジCR3	(4)
-35	---	FRONT-BRACKET-DA	(1)
-36	---	REAR-BRACKET-DA	(1)



(B) GUIDE-CLAMP-ASSY

GUIDE-CLAMP-ASSY

NO.	PARTS CORD	PART NAME	Q'ty
B	E2A013A	GUIDE-CLAMP-ASSY	1
-2	---	GUIDE-CLAMP-DA	(1)
-7	---	CLAMPER-SHEET	(1)
-25	---	MAGNET-508	(1)
-27	---	CLAMPER-LO-DA	(1)
-34	---	CLAMPER-HI-7000	(1)

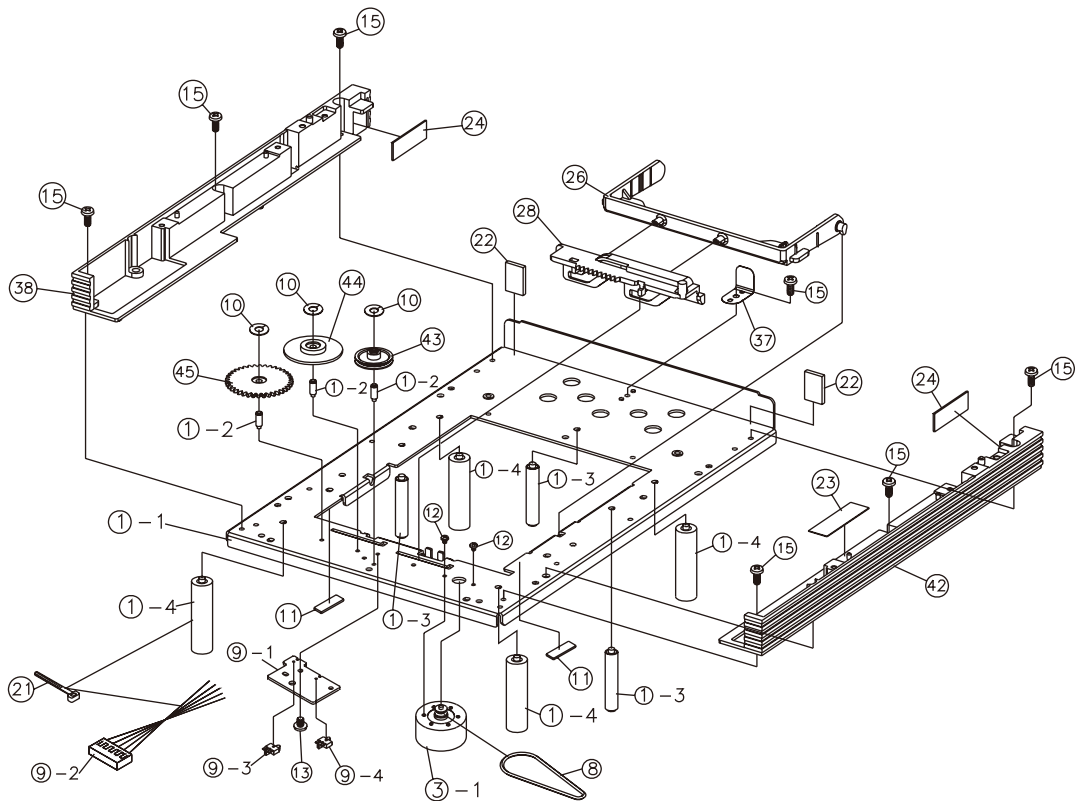


# EXPLODED VIEWS OF MECHANISM - 2/4

MECHA. ASS'Y : TC-7000DA-1 (SN 24800063A) = (A)+(B)+(C)+(D)+(E)

(C) LOADER-ASSY

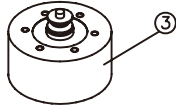
LOADER-ASSY			
NO.	PARTS CORD	PART NAME	Q'ty
C	E2A014A	LOADER-ASSY	1
1-1	---	MAIN-CHASSIS	(1)
1-2	---	PIN LOAD GEAR	(3)
1-3	---	SHAFT-PCB-DA	(3)
1-4	---	SHAFT-MECHA-DA2	(4)
3-1	---	MT MDN3BL3CRA	(1)
-8	---	BELT LOAD	(1)
9-1	---	PCB-SW-2H	(1)
9-2	---	CNW-5P-185	(1)
9-3	---	SW FSE22MH21	(1)
9-4	---	SW FSE22MH23	(1)
-10	---	PSW2.6*6*0.25C	(3)
-11	---	RUBBER-CUSHION	(2)
-12	---	M1.7*2.2ピッチ3ツェコネツCR3	(2)
-13	---	M2*3ピッチ3ツェタイト-CR3	(1)
-15	---	M2.6*6バインドタイト-CR3	(7)
-21	---	ナイロンバンド(80MM)	(1)
-22	---	TRAY-CUSHION	(2)
-23	---	PET-SHEET-0.2	(1)
-24	---	SHEET-R	(2)
-26	---	ARM-TRV-CHAS-DA	(1)
-28	---	SLIDE-CAM-DA	(1)
-37	---	SPG-1	(1)
-38	---	GUIDE-CHASSIS-L	(1)
-42	---	GUIDE-CHASSIS-R	(1)
-43	---	GEAR-LOAD-H	(1)
-44	---	GEAR 2ND LOAD	(1)
-45	---	GEAR 3ND LOAD	(1)



# EXPLODED VIEWS OF MECHANISM - 3/4

MECHA. ASS'Y : TC-7000DA-1 (SN 24800063A) = (A)+(B)+(C)+(D)+(E)

## (D) ASSY-MOTOR-LOAD



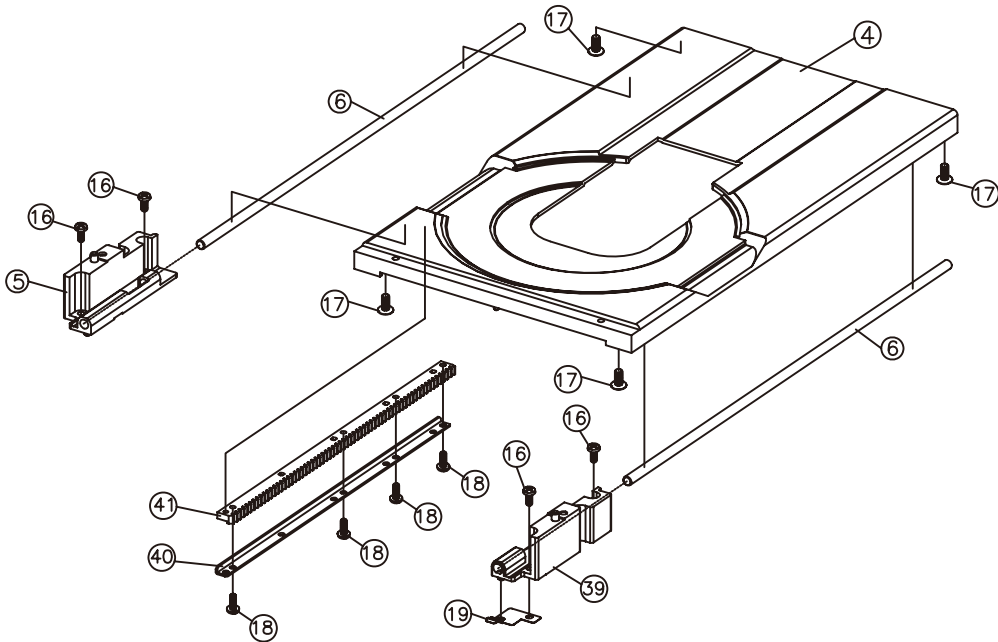
ASSY-MOTOR-LOAD

NO.	PARTS CORD	PART NAME	Q'ty
3	C2A003	ASSY-MOTOR-LOAD	1
-1	---	MT MDN3BL3CRA	(1)
-2	---	PULLEY-LOAD-MOTOR	(1)

## (E) ASSY-TRAY

ASSY-TRAY

NO.	PARTS CORD	PART NAME	Q'ty
E	---	ASSY-TRAY	1
-4	---	TRAY	(1)
-5	---	SHAFT-GUIDE-L	(1)
-6	---	TRAY-SHAFT	(2)
-16	---	M2.6*6 <sup>+</sup> スクリットCR3	(4)
-17	---	M2.6*5-ワフ-スクリット-(シロ)CR3	(4)
-18	---	M2x6 <sup>+</sup> スクリット-スクリット-CR3	(4)
-19	---	PLATE-A	(1)
-39	---	SHAFT-GUIDE-R	(1)
-40	---	RACK-GUIDE	(1)
-41	---	TRAY-RACK	(1)

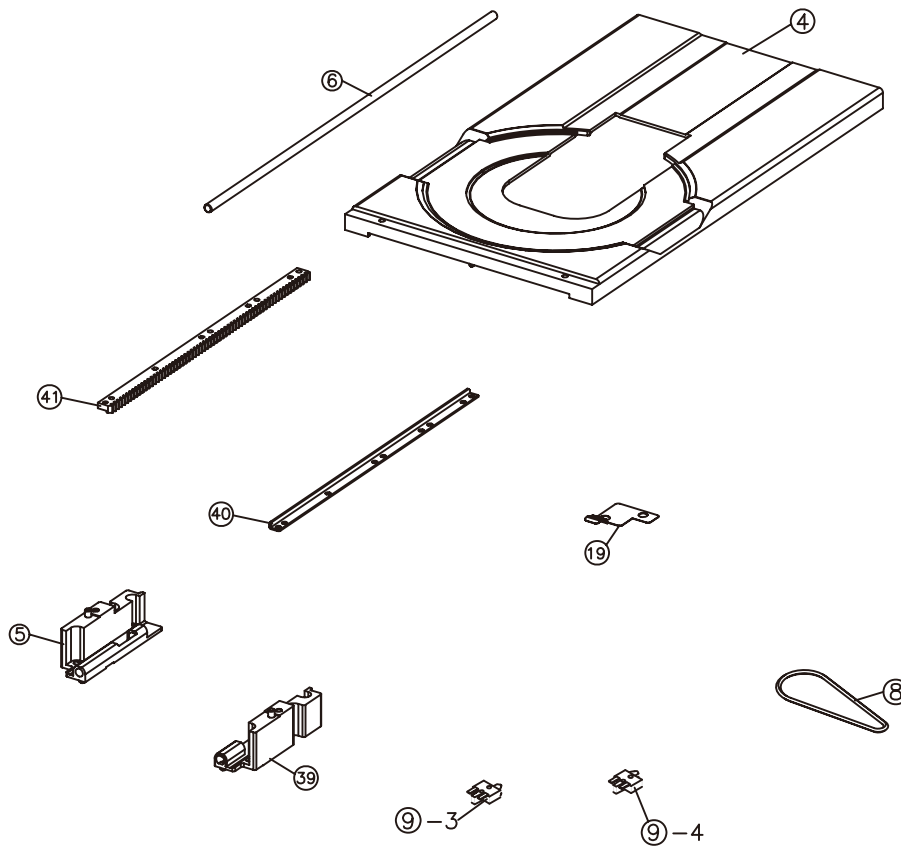


# EXPLODED VIEWS OF MECHANISM - 4/4

MECHA. ASS'Y : TC-7000DA-1 (SN 24800063A) = (A)+(B)+(C)+(D)+(E)

单品供給部品

NO.	PARTS CORD	PART NAME
4	E2G016	TRAY
5	E2G003	SHAFT-GUIDE-L
6	E2H005	TRAY-SHAFT
8	B9G015	BELT LOAD
9-3	S01W204	SW ESE22MH21
9-4	S01W205	SW ESE22MH23
19	E2P024	PLATE-A
39	E2G004	SHAFT-GUIDE-R
40	E2P001	RACK-GUIDE
41	E2G001	TRAY-RACK



# Schematic Diagrams - 1

## Block Diagram

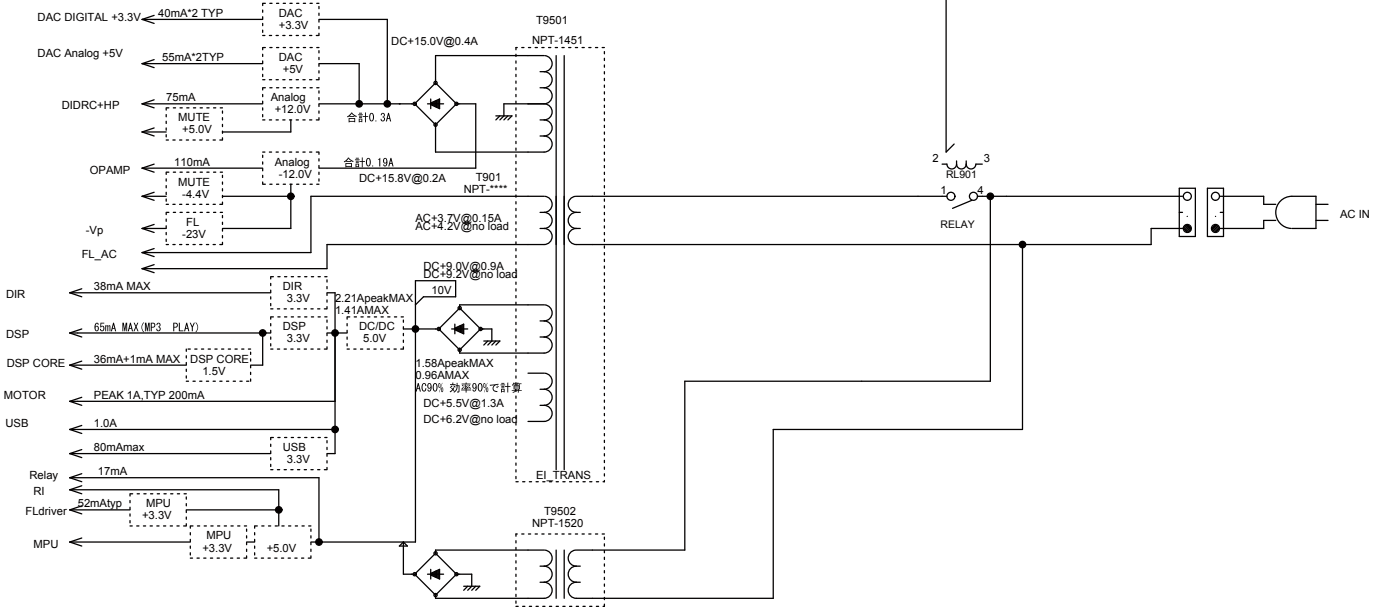
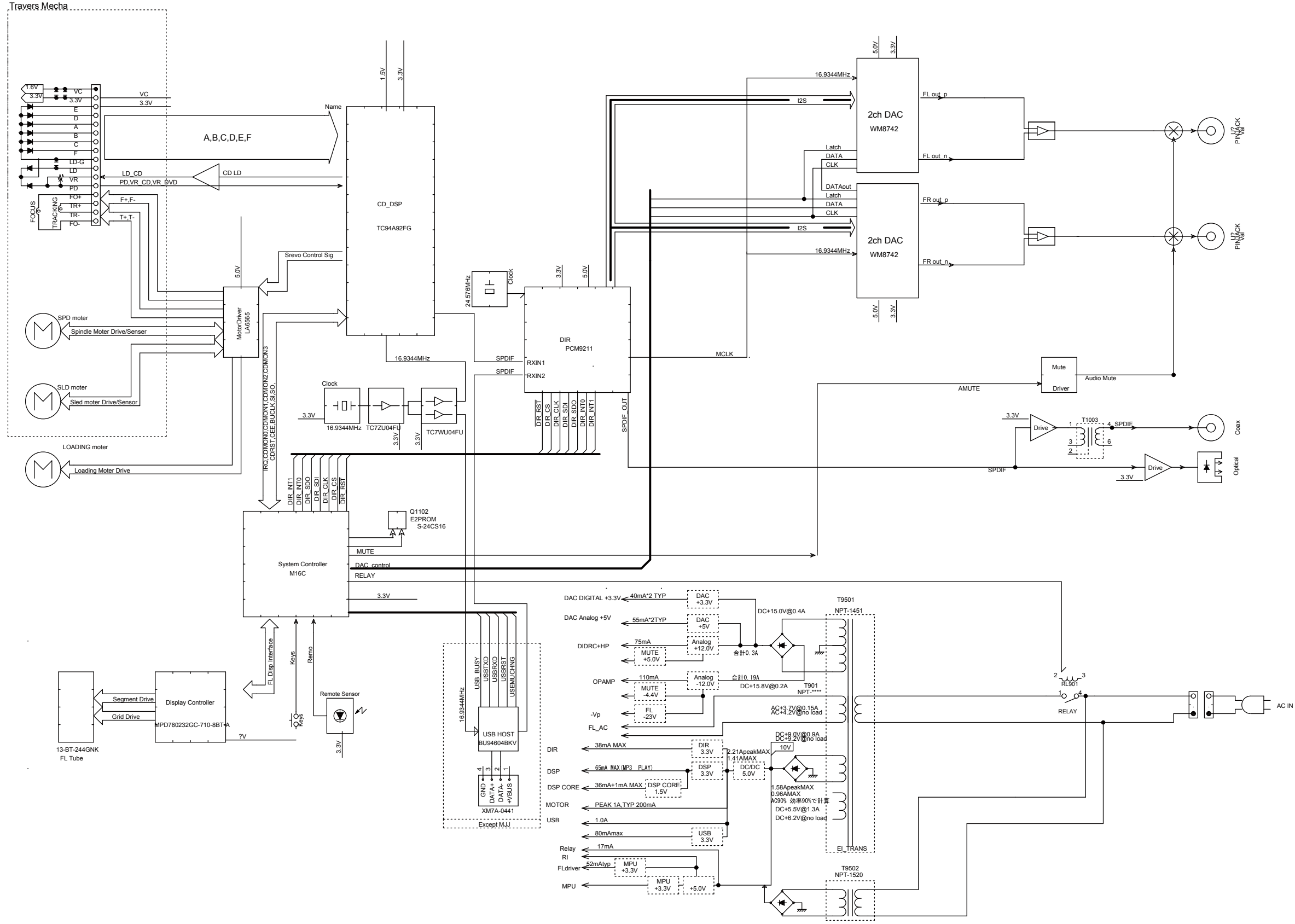
1

2

3

4

5



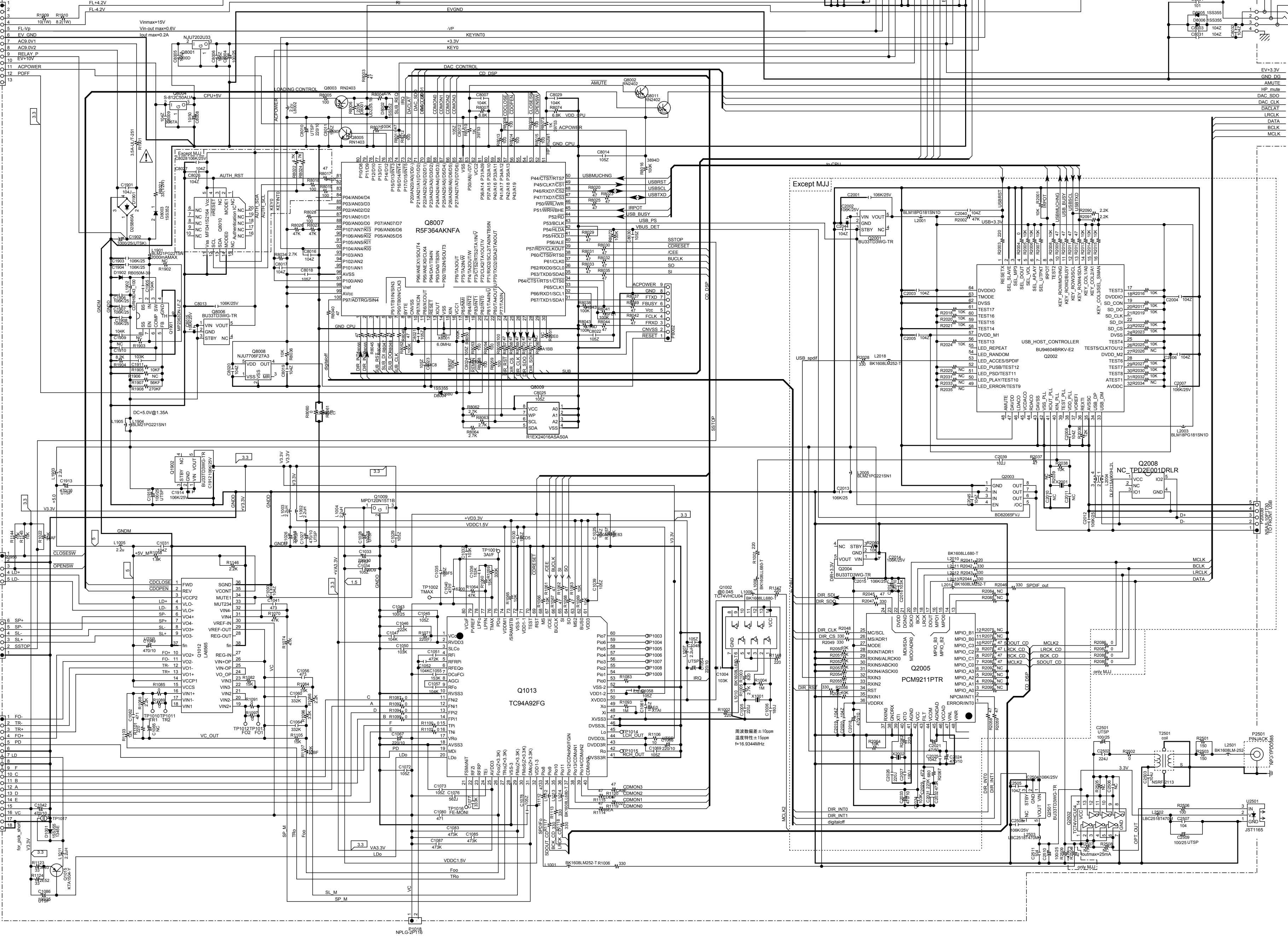


# Schematic Diagrams - 2

Micon. / CD Servo / Decoder / RF Amp / 2-ch DAC / Digital Audio Interface Transceiver / USB Host Controller

1  
2  
3  
4  
5  
6  
7  
8

BAAR-1032 (1/2)



D/A section

Q2005

Q2002

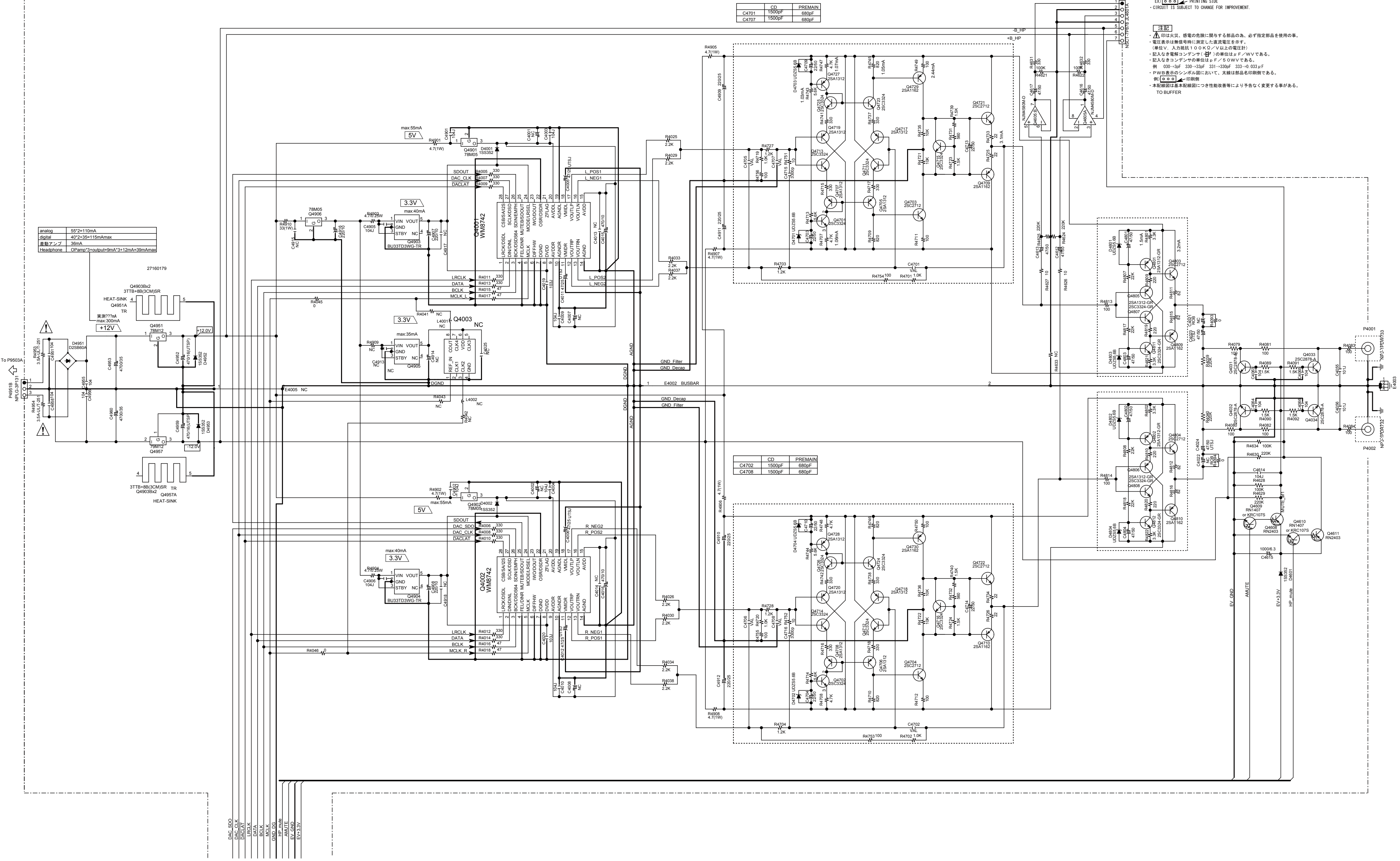
Q8007

Q1013

# Schematic Diagrams - 3

## D/A Section

BAAR-1032 (2/2)



**[NOTE]**

- THE COMPONENTS IDENTIFIED BY MARK  $\Delta$  ARE CRITICAL FOR SAFETY REPLACE ONLY PART NUMBER SPECIFIED.
- VOLTAGE (MEASURED WITH VOLTMETER) IS DC VOLTAGE. (NO INPUT SIGNAL)
- ELECTROLYTIC CAPACITORS ( $\text{---}||\text{---}$ ) ARE IN  $\mu\text{F/WV}$
- ALL CAPACITORS ARE IN  $\mu\text{F}/50\text{V}$  UNLESS OTHERWISE NOTED.
- EX: 100 $\mu\text{F}$ -50V 330 $\mu\text{F}$ -50V 33 $\mu\text{F}$ -330V 333 $\mu\text{F}$ -0.033 $\mu\text{F}$
- THE THICK LINES ON PC BOARD ARE THE PRINTING SIDE OF THE PARTS.
- EX:  $\square$  PRINTING SIDE
- CIRCUIT IS SUBJECT TO CHANGE FOR IMPROVEMENT.

**[注記]**

- $\Delta$ 印は火災、感電の危険に關する部品の為、必ず指定部品を使用する事。
- 電圧表示は無負荷時に測定した直流電圧を示す。
- (単位: V, 入力抵抗 100k $\Omega$ , Vは10V以上の電圧計)
- 記入なき電解コンデンサ( $\text{---}||\text{---}$ )の単位は $\mu\text{F}/\text{VW}$ である。
- 記入なきコンデンサの単位はpF/50Vである。
- 例: 100 $\mu\text{F}$ -50V 330 $\mu\text{F}$ -50V 33 $\mu\text{F}$ -330V 333 $\mu\text{F}$ -0.033 $\mu\text{F}$
- PWB表示のシンボルにおいて、太線は部品名印刷側である。
- 例:  $\square$  印刷側
- 本配線図は基本配線図につき性能改善等により予告なく変更する事がある。
- TO BUFFER

1  
2  
3  
4  
5  
6  
7  
8

DAC\_SDO  
DAC\_CLK  
LRCLK  
DATA  
RCLK  
VDD  
GND\_DSS  
HP\_MUTE  
EV\_V3.3V

A

B

C

D

E

# Schematic diagrams - 4

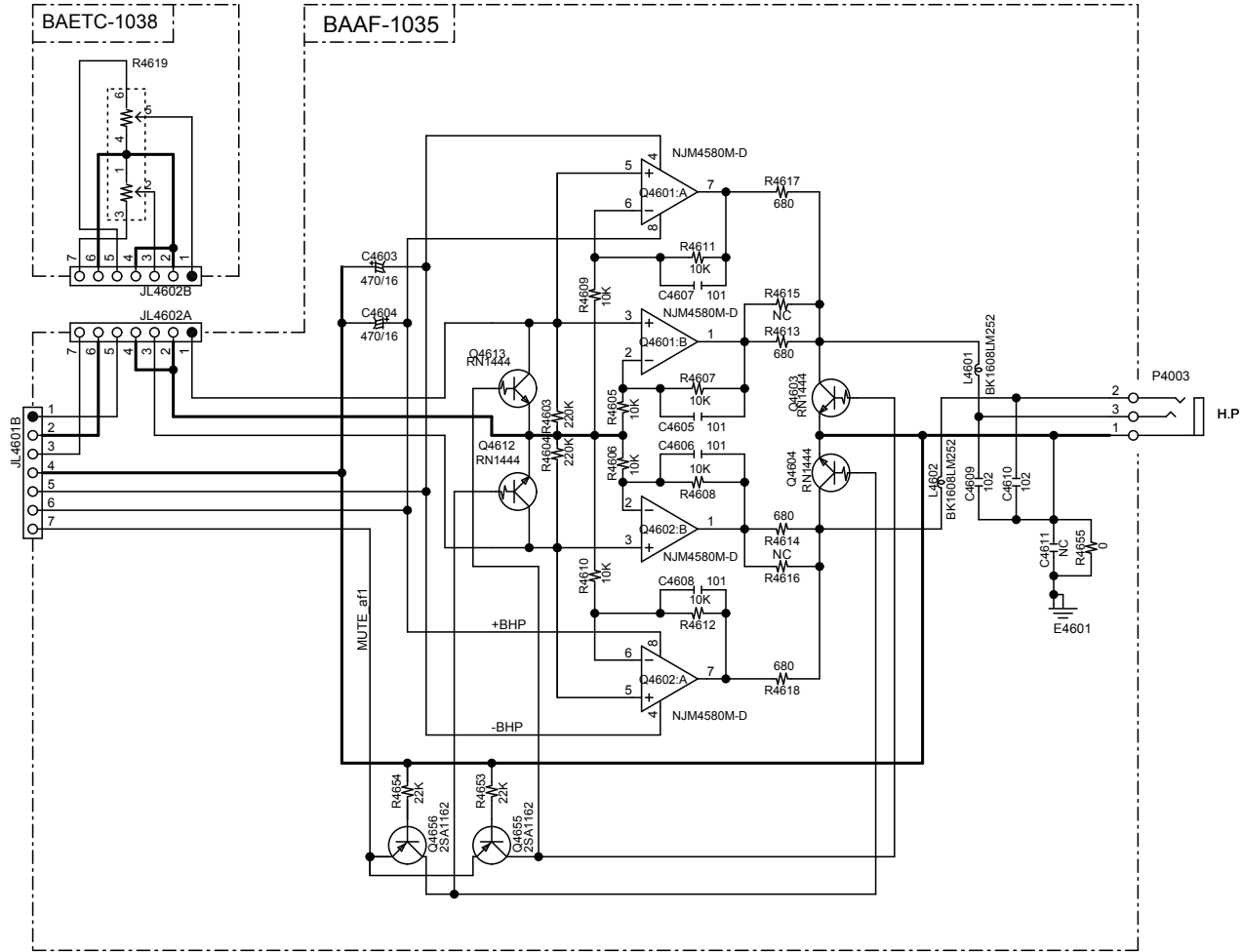
## Head Phones

1

2

3

4



# Schematic diagrams - 5

## Power Supply

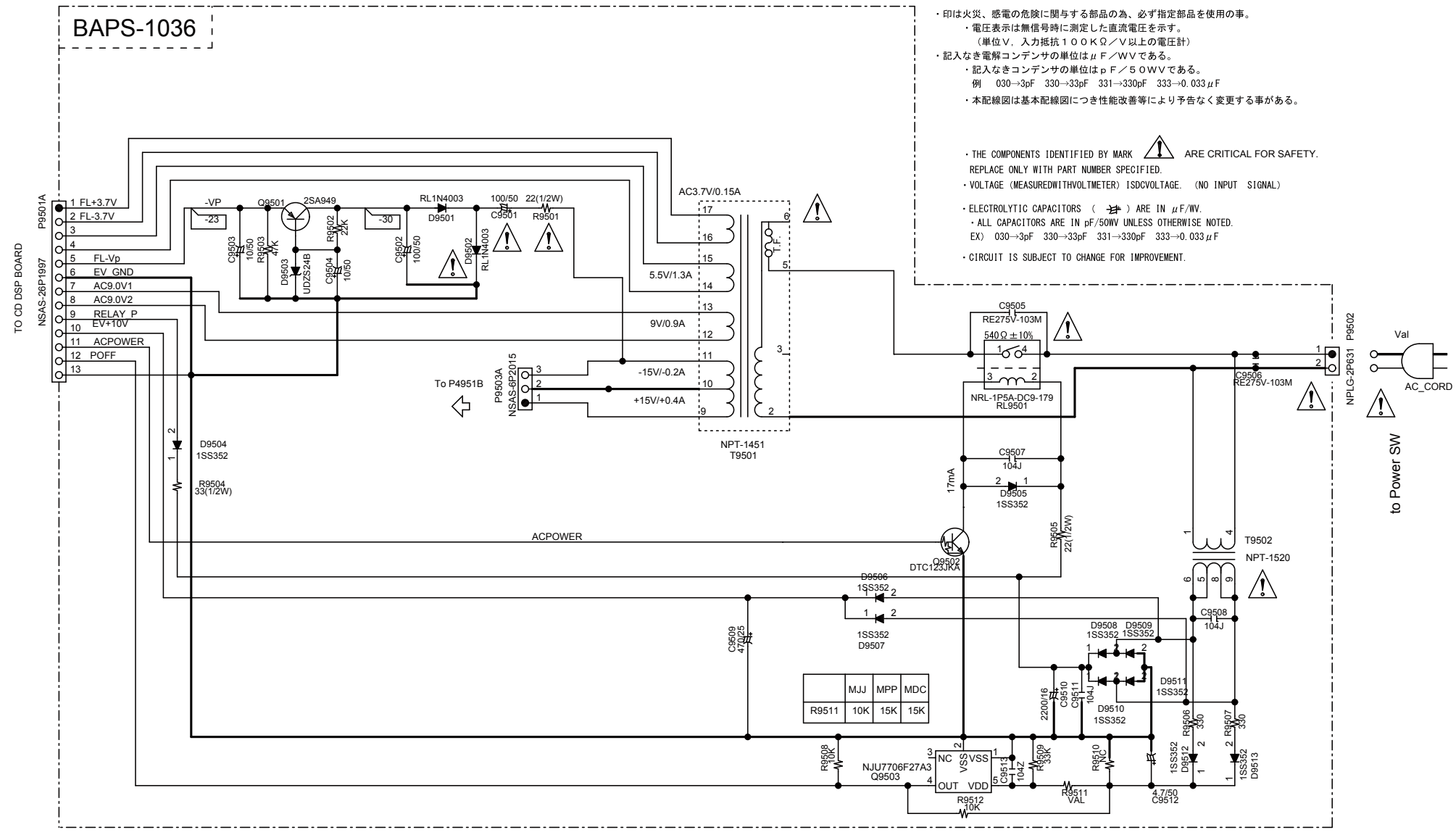
1

2

3

4

5



・印は火災、感電の危険に關する部品の為、必ず指定部品を使用の事。  
 ・電圧表示は無信号時に測定した直流電圧を示す。  
 (単位V、入力抵抗100kΩ/V以上の電圧計)  
 ・記入なき電解コンデンサの単位はμF/50Vである。  
 ・記入なきコンデンサの単位はpF/50Vである。  
 例 030→3pF 330→33pF 331→330pF 333→0.033μF  
 ・本配線図は基本配線図につき性能改善等により予告なく変更する事がある。

・THE COMPONENTS IDENTIFIED BY MARK ARE CRITICAL FOR SAFETY.  
 REPLACE ONLY WITH PART NUMBER SPECIFIED.  
 ・VOLTAGE (MEASURED WITH VOLT METER) IS DC VOLTAGE. (NO INPUT SIGNAL)  
 ・ELECTROLYTIC CAPACITORS ( ) ARE IN μF/V.  
 ・ALL CAPACITORS ARE IN pF/50V UNLESS OTHERWISE NOTED.  
 EX) 030→3pF 330→33pF 331→330pF 333→0.033μF  
 ・CIRCUIT IS SUBJECT TO CHANGE FOR IMPROVEMENT.

**ATTENTION**  
 AFIN D'ASSURER UNE PROTECTION PERMANENTE CONTRE LES RISQUES D'INCENDIE, REMPLACER UNIQUEMENT PAR UN FUSIBLE DE MEME TYPE ET CALIBRATION COMME INDIQUE.

CE SYMBOLE INDIQUE QUE LE FUSIBLE UTILISE EST A LENT, E POUR UNE PROTECTION PERMANENTE, N'UTILISER QUE DES FUSIBLES DE MEME TYPE. CE DARNIER EST INDIQUE LA OU LE PRESENT SYMBOL EST APPOSE.

# Schematic diagrams - 6

## Display / USB Terminal

1

2

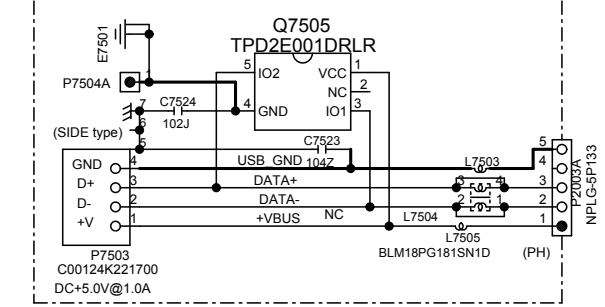
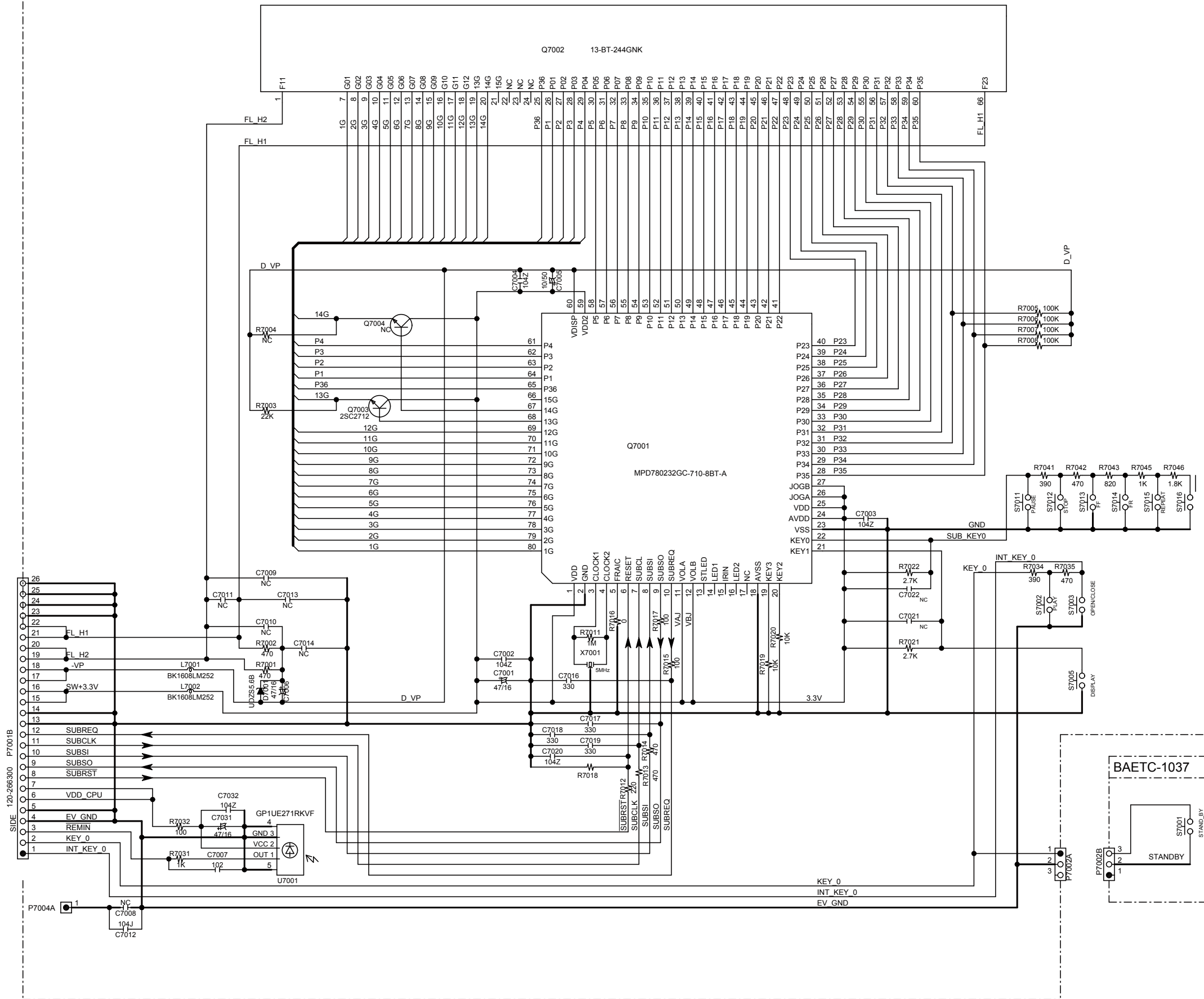
3

4

5

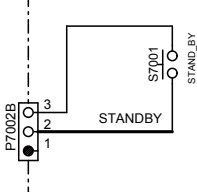
BADIS-1033

BAUSB-1034



P3101: 20090912ZTUL (NSAS-10P1932)  
 USB Cable

BAETC-1037



**C-7070****<Note>**

Parts marked by "NSP" are generally unavailable because they are not in our Master Spare Parts List.

**NOTE : THE COMPONENTS IDENTIFIED BY THE MARK ! ARE CRITICAL FOR RISK OF FIRE AND ELECTRIC SHOCK. REPLACE ONLY WITH PART NUMBER SPECIFIED.**

**<Notes>****(B) : Black model****(S) : Silver model****<MDC> : 120V,Canadian model****<MPP> : 230V,CE(European) country model****C-7070****EXPLODED VIEW PARTS LIST**

REF. NO.	PART NAME	DESCRIPTION	Q'TY	PART NO. (SN)	REMARKS
<b>[CHASSIS SCREW]</b>					
A001	CHASSIS	---	1	27100568B	N
A002	BOTTOM LEG	---	4	27175467	
A003	CUSHION	(ZUL)	4	28141877	
A004	SCREW	3TTB+8B(3BC)	4	838430088GR	
A006	WS CLAMP	WS-3NS	1	260220	
A007	HOLDER	(CLAMP) WS-1NS	4	27190541	
A008	HOLDER	KGPS-4S	1	27190202	
A010	SCREW	4TTC+8C(3BC)SR	4	801658	
A011	SCREW	3TTB+8B(CU)SR	1	801618	
A012	SPACER	---	1	27270439	
A015	HOLDER	(PWB)	3	27191368A	N
A016	CUSHION	(t2x13x10)FELT	3	28141829	
A018	SCREW	3TTB+8B(CU)SR	3	801618	
A019	SCREW	3TTB+8B(3BC)	3	838430088GR	
A020	HOLDER	(CLAMP) WS-1NS	4	27190541	
A024	SCREW	3P+10FN(3BC)	4	82143010GR	
A025	WASHER	W3*10F(3BC)	4	87643010GR	

A031	REAR PANEL	MPP	1	27124326	N <B MPP / S MPP>
A031	REAR PANEL	MDC	1	27124327	N <B MDC>
A032	SCREW	3TTB+8B(CU)SR	5	801618	
A033	SCREW	3TTB+8B(3BC)	7	838430088GR	
A034	CUSHION	---	2	28141799	
A035	TAPE	TAPE(CLOTH-8U)	1	29110082	
A038	SCREW	3TTF+10B(3BC)	2	835430108GR	
A040	CUSHION	(FELT)t2x13x5	2	28141858	
<b>[CABINET]</b>					
A101	F BRACKET	(S)	1	27111592C	N <S>
A101	F BRACKET	(B)	1	27111593C	N <B>
A102	TAPE	(Cu)	2	29110216	
A103	IB CUSHION	W15*3t TAPE	2	28141585	
A104	SCREW	3TTB+8B(3BC)	12	838430088GR	
A105	SCREW	3TTB+8B(CU)SR	3	801618	
A106	CUSHION	(BUTYL)	1	28141748	
A107	CUSHION	10x55x10	2	28141904	N
A108	CLIP	CS-1U	2	27255004	
A109	SCREW	3TTB+8B(3BC)	1	838430088GR	
A110	CUSHION	---	1	28141637	
A111	F PANEL	(B)	1	27213507A	N <B MDC, MPP>
A111	F PANEL	(S)	1	27213508A	N <S MPP>
A112	CLEAR PLT	---	1	28192350	<S>
A112	CLEAR PLT	---	1	28192356A	<B>
A113	GUIDE	(DISPLY)(S)	1	27268273A	<S>
A113	GUIDE	(DISPLY)(B)	1	27268274A	<B>
A114	GUIDE	(PLAY)(S)	1	27268275D	<S>
A114	GUIDE	(PLAY)(B)	1	27268276D	<B>
A115	GUIDE	(STBY)(S)	1	27268277B	<S>
A115	GUIDE	(STBY)(B)	1	27268278B	<B>
A116	GUIDE	(TRAY)(B)	1	27268290	N <B>
A116	GUIDE	(TRAY)(S)	1	27268291	N <S>

A121	KNOB	(STBY)(S)	1	28326946	<S>
A121	KNOB	(STBY)(B)	1	28326947	<B>
A122	KNOB	(ZONE)(S)1pc	1	28326965	<S MPP>
A122	KNOB	(ZONE)(B)1pc	1	28326966	<B MDC, MPP>
A123	KNOB	(ZONE)(S)2pcs	2	28326944	<S>
A123	KNOB	(ZONE)(B)2pcs	2	28326945	<B>
A124	KNOB	(VD)(B)	4	28327059	N <B>
A124	KNOB	(VD)(S)	4	28327060	N <S>
A128	SNAP PLATE	SNAP PLATE	1	27301877	
A131	SCREW	3TTB+8B(3BC)	3	838430088GR	
A141	BADGE	---	1	28135317	
A142	KNOB	(HP)AS	1	28326519	<S>
A142	KNOB	(HP)AS(B)	1	28327061	N <B>
A145	DOOR	(TRAY)(B)AS	1	28148828	N <B>
A145	DOOR	(TRAY)(S)AS	1	28148829	N <S>
A149	SCREW	2.6P+4FN	2	82112604	
A151	COVER	(S) (Bent)	1	28210091	<S>
A151	COVER	(B) (Bent)	1	28210092	<B>
A151	COVER	(S) (Not Bent)	1	28210091Z	<S>
A151	COVER	(B) (Not Bent)	1	28210092Z	<B>
A152	SCREW	3TTB+8B(3CM)SR	8	801637	<S>
A152	SCREW	3TTB+8B(3BC)	8	838430088GR	<B>
A153	CUSHION	---	2	28141606	
A161	SCREW	3TTB+8B(3BC)	2	838430088GR	
A162	WIRE TIE	BSK-1	2	260208	
<b>[TRANS COIL]</b>					
T9501	P TRANS	NPT-1451D	1	2301640C	!,N <B MDC>
T9501	P TRANS	NPT-1451P	1	2301641GRA	! <B MPP / S MPP>
<b>[SW TRM]</b>					
P1013C	FFC	NCFC2-161522	1	2042161522	N
P1017C	SOCKET AS	NSAS-12P0829	1	20022261220	
P7001C	SOCKET AS	NSAS-52P2030	1	2009991266UL	N



P9502A	FASTON AS	FASTON SOCKET	1	1F999026A	!
P9901	AC INLET	R301X2PSn	1	25053358	!
<b>[MECHANISM]</b>					
Z001	MECHA UNIT	TC-7000DA-1	1	24800063A	N
Z002	LABEL	(DVD3-S)	1	29364822	
Z005	BUSHING	BUSHING	1	28170040	
Z010	MECHA UNIT (DRIVE UNIT)	DA11VFGP	1	24800060	SAME AS C-7000R
<b>[TUNER UNIT]</b>					
U001	U0010~U0016	BAAR-1032-1A *	1	1H564532-1A	N <B MPP / S MPP>
U0010	MAIN PC BOARD AS	BAAR-1032-1A	1	1H5645032-1A	N <B MPP / S MPP>
U0011	DISPLAY PC BOARD AS	BADIS-1033-1A	1	1H5645033-1A	N <B MPP / S MPP>
U0012	USB TERMINAL PC BOARD AS	BAUSB-1034-1A	1	1H5645034-1A	N <B MPP / S MPP>
U0013	HEADPHONE TERMINAL PC BOARD AS	BAAF-1035-1A	1	1H5645035-1A	N <B MPP / S MPP>
U0014	POWER SUPPLY PC BOARD AS	BAPS-1036-1A	1	1H5645036-1A	N <B MPP / S MPP>
U0015	SWITCH PC BOARD AS	BAETC-1037-1A	1	1H5645037-1A	N <B MPP / S MPP>
U0016	HEADPHONE VOLUME PC BOARD AS	BAETC-1038-1A	1	1H5645038-1A	N <B MPP / S MPP>
U001	U0010~U0016	BAAR-1032-1C *	1	1H564532-1C	N <B MDC>
U0010	MAIN PC BOARD AS	BAAR-1032-1C	1	1H5645032-1C	N <B MDC>
U0011	DISPLAY PC BOARD AS	BADIS-1033-1C	1	1H5645033-1C	N <B MDC>
U0012	USB TERMINAL PC BOARD AS	BAUSB-1034-1C	1	1H5645034-1C	N <B MDC>
U0013	HEADPHONE TERMINAL PC BOARD AS	BAAF-1035-1C	1	1H5645035-1C	N <B MDC>
U0014	POWER SUPPLY PC BOARD AS	BAPS-1036-1C	1	1H5645036-1C	N <B MDC>
U0015	SWITCH PC BOARD AS	BAETC-1037-1C	1	1H5645037-1C	N <B MDC>
U0016	HEADPHONE VOLUME PC BOARD AS	BAETC-1038-1C	1	1H5645038-1C	N <B MDC>
				<b>C-7070</b>	
<b>PACKING PROCEDURES PARTS LIST</b>					
<b>REF. NO.</b>	<b>PART NAME</b>	<b>DESCRIPTION</b>	<b>Q'TY</b>	<b>PART NO. (SN)</b>	<b>REMARKS</b>
<b>[PACKING]</b>					
A201	PAD	(AS)	1	29092585B	N

A201A	PAD	(L)	(1)	29092587B	
A201B	PAD	(R)	(1)	29092586B	
A203	SHEET	---	1	29095847	
A207	TAPE	(SEROHAN)NITTO NO.29	1	29110149	
A209	PP TAPE	W50 SBT-70	1	29110200	
A301	CARTON	C-7070(MPP/MDC)	1	29055261	N
A303A	EAN LABEL	C-7070(B) MPP	{ 1 }	29391689	N <B MPP>
A303A	EAN LABEL	C-7070(S) MPP	{ 1 }	29391690	N <S MPP>
A303A	UPC LABEL	C-7070(B) MDC	{ 1 }	29391691	N <B MDC>
A312	PAD(CUSHION)	---	1	29092623	N
<b>[ACCESSARY]</b>					
A801	WRNTY CARD	(ONKYO)	1	29365135	<B MDC>
A803	INST SHEET	WEEE	1	29355793A	<B MPP / S MPP>
A804	CORD AS	PIN CORD AS	1	2010381	
A804 or	CORD AS	PIN CORD AS	( 1 )	2010326	
A805	PLUG CORD	3.5-MINI PLUG (RI)	1	2010200	
A806	AC CORD	AS-CEE-3	1	253298VOL	! <B MPP / S MPP>
A806	AC CORD	AS-UC-2	1	253301VOL	! <B MDC>
A811	REMO CON	RC-828C	1	24140828	N
A821	BATTERY	R03/AAA(UM-4)	2	3010124	
A821 or	BATTERY	R03/24D(UM-4)	( 2 )	3010503	
A851	INS MANUAL	En(C-7070)	1	29400826	N
A852	INS MANUAL	U2FrEs(C-7070)	1	29400827	N
A853	INS MANUAL	U2ItDe(C-7070)	1	29400828	N <B MPP / S MPP>
A854	INS MANUAL	U2NISv(C-7070)	1	29400829	N <B MPP / S MPP>
A900	POLY BAG	w250xd350	1	29100250A	

**C-7070****PC BOARD PARTS LIST****U0010 MAIN PC BOARD AS****BAAR-1032-1A****1****1H5645032-1A****N <B MPP / S MPP>**

U0011	DISPLAY PC BOARD AS	BADIS-1033-1A	1	1H5645033-1A	N <B MPP / S MPP>
U0012	USB TERMINAL PC BOARD AS	BAUSB-1034-1A	1	1H5645034-1A	N <B MPP / S MPP>
U0013	HEADPHONE TERMINAL PC BOARD AS	BAAF-1035-1A	1	1H5645035-1A	N <B MPP / S MPP>
U0014	POWER SUPPLY PC BOARD AS	BAPS-1036-1A	1	1H5645036-1A	N <B MPP / S MPP>
U0015	SWITCH PC BOARD AS	BAETC-1037-1A	1	1H5645037-1A	N <B MPP / S MPP>
U0016	HEADPHONE VOLUME PC BOARD AS	BAETC-1038-1A	1	1H5645038-1A	N <B MPP / S MPP>
<b>U001</b>	<b>U0010~U0016</b>	<b>BAAR-1032-1C *</b>	<b>1</b>	<b>1H564532-1C</b>	<b>N &lt;B MDC&gt;</b>
U0010	MAIN PC BOARD AS	BAAR-1032-1C	1	1H5645032-1C	N <B MDC>
U0011	DISPLAY PC BOARD AS	BADIS-1033-1C	1	1H5645033-1C	N <B MDC>
U0012	USB TERMINAL PC BOARD AS	BAUSB-1034-1C	1	1H5645034-1C	N <B MDC>
U0013	HEADPHONE TERMINAL PC BOARD AS	BAAF-1035-1C	1	1H5645035-1C	N <B MDC>
U0014	POWER SUPPLY PC BOARD AS	BAPS-1036-1C	1	1H5645036-1C	N <B MDC>
U0015	SWITCH PC BOARD AS	BAETC-1037-1C	1	1H5645037-1C	N <B MDC>
U0016	HEADPHONE VOLUME PC BOARD AS	BAETC-1038-1C	1	1H5645038-1C	N <B MDC>

CIRCUIT NO.	PART NAME	DESCRIPTION	Q'TY	PART NO. (SN)	REMARKS
<b>[SEMI CONDUCTOR]</b>					
D1001	C-DIODE	1SS355	1	223269R2	
D1001 or	C-DIODE	1SS352	(1)	223234R2	
D1001 or	C-DIODE	MA2J111	(1)	223279R2	
D1001 or	C-DIODE	KDS4148U	(1)	223283R2	
D1901	DIODE	D2SB60A	1	22380366F	
D1902	DIODE	RB050M-30	1	22380367R2	
D4001	C-DIODE	1SS352	1	223234R2	
D4001 or	C-DIODE	1SS355	(1)	223269R2	
D4001 or	C-DIODE	MA2J111	(1)	223279R2	
D4001 or	C-DIODE	KDS4148U	(1)	223283R2	
D4002	C-DIODE	1SS352	1	223234R2	
D4002 or	C-DIODE	1SS355	(1)	223269R2	
D4002 or	C-DIODE	MA2J111	(1)	223279R2	
D4002 or	C-DIODE	KDS4148U	(1)	223283R2	
D4601	C-DIODE	1SS352	1	223234R2	

D4601 or	C-DIODE	ISS355	(1)	223269R2
D4601 or	C-DIODE	MA2J111	(1)	223279R2
D4601 or	C-DIODE	KDS4148U	(1)	223283R2
D4701	ZENER D	UDZS5.6B	1	224550560R2
D4701 or	ZENER D	MAZ8056-M	(1)	224750562R2
D4702	ZENER D	UDZS5.6B	1	224550560R2
D4702 or	ZENER D	MAZ8056-M	(1)	224750562R2
D4703	ZENER D	UDZS5.6B	1	224550560R2
D4703 or	ZENER D	MAZ8056-M	(1)	224750562R2
D4704	ZENER D	UDZS5.6B	1	224550560R2
D4704 or	ZENER D	MAZ8056-M	(1)	224750562R2
D4801	ZENER D	UDZS5.6B	1	224550560R2
D4801 or	ZENER D	MAZ8056-M	(1)	224750562R2
D4802	ZENER D	UDZS5.6B	1	224550560R2
D4802 or	ZENER D	MAZ8056-M	(1)	224750562R2
D4803	ZENER D	UDZS5.6B	1	224550560R2
D4803 or	ZENER D	MAZ8056-M	(1)	224750562R2
D4804	ZENER D	UDZS5.6B	1	224550560R2
D4804 or	ZENER D	MAZ8056-M	(1)	224750562R2
D4951	DIODE	D2SB60A	1	22380366F
D4952	C-DIODE	ISS352	1	223234R2
D4952 or	C-DIODE	ISS355	(1)	223269R2
D4952 or	C-DIODE	MA2J111	(1)	223279R2
D4952 or	C-DIODE	KDS4148U	(1)	223283R2
D4953	C-DIODE	ISS352	1	223234R2
D4953 or	C-DIODE	ISS355	(1)	223269R2
D4953 or	C-DIODE	MA2J111	(1)	223279R2
D4953 or	C-DIODE	KDS4148U	(1)	223283R2
D7001	ZENER D	UDZS5.6B	1	224550560R2
D7001 or	ZENER D	MAZ8056-M	(1)	224750562R2
D8001	ZENER D	UDZS5.1B	1	224550510R2
D8002	C-DIODE	ISS352	1	223234R2

D8002 or	C-DIODE	ISS355	(1)	223269R2	
D8002 or	C-DIODE	MA2J111	(1)	223279R2	
D8002 or	C-DIODE	KDS4148U	(1)	223283R2	
D8003	C-DIODE	ISS352	1	223234R2	
D8003 or	C-DIODE	ISS355	(1)	223269R2	
D8003 or	C-DIODE	MA2J111	(1)	223279R2	
D8003 or	C-DIODE	KDS4148U	(1)	223283R2	
D8004	C-DIODE	ISS355	1	223269R2	
D8004 or	C-DIODE	ISS352	(1)	223234R2	
D8004 or	C-DIODE	MA2J111	(1)	223279R2	
D8004 or	C-DIODE	KDS4148U	(1)	223283R2	
D8005	C-DIODE	ISS355	1	223269R2	
D8005 or	C-DIODE	ISS352	(1)	223234R2	
D8005 or	C-DIODE	MA2J111	(1)	223279R2	
D8005 or	C-DIODE	KDS4148U	(1)	223283R2	
D8006	C-DIODE	ISS355	1	223269R2	
D8006 or	C-DIODE	ISS352	(1)	223234R2	
D8006 or	C-DIODE	MA2J111	(1)	223279R2	
D8006 or	C-DIODE	KDS4148U	(1)	223283R2	
D9501	DIODE	RL1N4003	1	22380260T	!
D9502	DIODE	RL1N4003	1	22380260T	
D9503	ZENER D	UDZS24B	1	224552400R2	
D9504	C-DIODE	ISS352	1	223234R2	
D9504 or	C-DIODE	ISS355	(1)	223269R2	
D9504 or	C-DIODE	MA2J111	(1)	223279R2	
D9504 or	C-DIODE	KDS4148U	(1)	223283R2	
D9505	C-DIODE	ISS352	1	223234R2	
D9505 or	C-DIODE	ISS355	(1)	223269R2	
D9505 or	C-DIODE	MA2J111	(1)	223279R2	
D9505 or	C-DIODE	KDS4148U	(1)	223283R2	
D9506	C-DIODE	ISS352	1	223234R2	
D9506 or	C-DIODE	ISS355	(1)	223269R2	

D9506 or	C-DIODE	MA2J111	(1)	223279R2
D9506 or	C-DIODE	KDS4148U	(1)	223283R2
D9507	C-DIODE	ISS352	1	223234R2
D9507 or	C-DIODE	ISS355	(1)	223269R2
D9507 or	C-DIODE	MA2J111	(1)	223279R2
D9507 or	C-DIODE	KDS4148U	(1)	223283R2
D9508	C-DIODE	ISS352	1	223234R2
D9508 or	C-DIODE	ISS355	(1)	223269R2
D9508 or	C-DIODE	MA2J111	(1)	223279R2
D9508 or	C-DIODE	KDS4148U	(1)	223283R2
D9509	C-DIODE	ISS352	1	223234R2
D9509 or	C-DIODE	ISS355	(1)	223269R2
D9509 or	C-DIODE	MA2J111	(1)	223279R2
D9509 or	C-DIODE	KDS4148U	(1)	223283R2
D9510	C-DIODE	ISS352	1	223234R2
D9510 or	C-DIODE	ISS355	(1)	223269R2
D9510 or	C-DIODE	MA2J111	(1)	223279R2
D9510 or	C-DIODE	KDS4148U	(1)	223283R2
D9511	C-DIODE	ISS352	1	223234R2
D9511 or	C-DIODE	ISS355	(1)	223269R2
D9511 or	C-DIODE	MA2J111	(1)	223279R2
D9511 or	C-DIODE	KDS4148U	(1)	223283R2
D9512	C-DIODE	ISS352	1	223234R2
D9512 or	C-DIODE	ISS355	(1)	223269R2
D9512 or	C-DIODE	MA2J111	(1)	223279R2
D9512 or	C-DIODE	KDS4148U	(1)	223283R2
D9513	C-DIODE	ISS352	1	223234R2
D9513 or	C-DIODE	ISS355	(1)	223269R2
D9513 or	C-DIODE	MA2J111	(1)	223279R2
D9513 or	C-DIODE	KDS4148U	(1)	223283R2
Q1002	IC	TC74VHCU04FT	1	22274004HR2TO
Q1009	IC	MPD120N15T1B-E1-AZ	1	22278002NR2

Q1012	IC	LA6565	1	22242339R2	
Q1013	IC	TC94A92FG	1	22242658R3	
Q1015	TR	KTA1504-Y	1	2216184R2	
Q1901	IC	MP2363DN-LF-Z	1	22242627R2	
Q1902	IC	BU33TD3WG-TR	1	22242715R2	
Q2001	IC	BU33TD3WG-TR	1	22242715R2	
Q2002	IC	BU94604BRKV-E2	1	22242781R2	N
Q2003	IC	BD82065FVJ	1	22242718R2	
Q2004	IC	BU33TD3WG-TR	1	22242715R2	
Q2005	IC	PCM9211PTR	1	22242703R2	
Q2501	IC	BU33TD3WG-TR	1	22242715R2	
Q2502	IC	TC74VHCU04FT	1	22274004HR2TO	
Q4001	IC	WM8742	1	22242610R2	
Q4002	IC	WM8742	1	22242610R2	
Q4031	TR	2SC2878-B	1	2212286T	
Q4031 or	TR	2SC2878-A(TPE2_F)	(1)	2212285T	
Q4032	TR	2SC2878-B	1	2212286T	
Q4032 or	TR	2SC2878-A(TPE2_F)	(1)	2212285T	
Q4033	TR	2SC2878-B	1	2212286T	
Q4033 or	TR	2SC2878-A(TPE2_F)	(1)	2212285T	
Q4034	TR	2SC2878-B	1	2212286T	
Q4034 or	TR	2SC2878-A(TPE2_F)	(1)	2212285T	
Q4601	IC	NJM4580M-D	1	22241448R2	
Q4602	IC	NJM4580M-D	1	22241448R2	
Q4603	TR	RN1444-A	1	2216031R2	
Q4603 or	TR	RN1444-B	(1)	2216032R2	
Q4604	TR	RN1444-A	1	2216031R2	
Q4604 or	TR	RN1444-B	(1)	2216032R2	
Q4605	IC	NJM4580M-D	1	22241448R2	
Q4608	TR	RN2403	1	2214540R2	
Q4609	TR	RN1407	1	2216260R2	
Q4610	TR	RN1407	1	2216260R2	

Q4611	TR	RN2403	1	2214540R2
Q4612	TR	RN1444-A	1	2216031R2
Q4612 or	TR	RN1444-B	(1)	2216032R2
Q4613	TR	RN1444-A	1	2216031R2
Q4613 or	TR	RN1444-B	(1)	2216032R2
Q4655	TR	2SA1162-GR	1	2214375R2
Q4656	TR	2SA1162-GR	1	2214375R2
Q4701	TR	2SC3324-GR(TE85L_F)	1	2216825R2
Q4702	TR	2SC3324-GR(TE85L_F)	1	2216825R2
Q4703	TR	2SC2712-GR	1	2213145R2
Q4704	TR	2SC2712-GR	1	2213145R2
Q4705	TR	2SA1312-GR(TE85L_F)	1	2216835R2
Q4706	TR	2SA1312-GR(TE85L_F)	1	2216835R2
Q4707	TR	2SA1312-GR(TE85L_F)	1	2216835R2
Q4708	TR	2SA1312-GR(TE85L_F)	1	2216835R2
Q4709	TR	2SA1162-GR	1	2214375R2
Q4710	TR	2SA1162-GR	1	2214375R2
Q4711	TR	2SC3324-GR(TE85L_F)	1	2216825R2
Q4712	TR	2SC3324-GR(TE85L_F)	1	2216825R2
Q4713	TR	2SC3324-GR(TE85L_F)	1	2216825R2
Q4714	TR	2SC3324-GR(TE85L_F)	1	2216825R2
Q4715	TR	2SC3324-GR(TE85L_F)	1	2216825R2
Q4716	TR	2SC3324-GR(TE85L_F)	1	2216825R2
Q4717	TR	2SA1312-GR(TE85L_F)	1	2216835R2
Q4718	TR	2SA1312-GR(TE85L_F)	1	2216835R2
Q4719	TR	2SA1312-GR(TE85L_F)	1	2216835R2
Q4720	TR	2SA1312-GR(TE85L_F)	1	2216835R2
Q4721	TR	2SC2712-GR	1	2213145R2
Q4722	TR	2SC2712-GR	1	2213145R2
Q4723	TR	2SC3324-GR(TE85L_F)	1	2216825R2
Q4724	TR	2SC3324-GR(TE85L_F)	1	2216825R2
Q4725	TR	2SC3324-GR(TE85L_F)	1	2216825R2



Q4726	TR	2SC3324-GR(TE85L_F)	1	2216825R2	
Q4727	TR	2SA1312-GR(TE85L_F)	1	2216835R2	
Q4728	TR	2SA1312-GR(TE85L_F)	1	2216835R2	
Q4729	TR	2SA1162-GR	1	2214375R2	
Q4730	TR	2SA1162-GR	1	2214375R2	
Q4801	TR	2SA1312-GR(TE85L_F)	1	2216835R2	
Q4802	TR	2SA1312-GR(TE85L_F)	1	2216835R2	
Q4803	TR	2SC2712-GR	1	2213145R2	
Q4804	TR	2SC2712-GR	1	2213145R2	
Q4805	TR	2SA1312-GR(TE85L_F)	1	2216835R2	
Q4806	TR	2SA1312-GR(TE85L_F)	1	2216835R2	
Q4807	TR	2SC3324-GR(TE85L_F)	1	2216825R2	
Q4808	TR	2SC3324-GR(TE85L_F)	1	2216825R2	
Q4809	TR	2SA1162-GR	1	2214375R2	
Q4810	TR	2SA1162-GR	1	2214375R2	
Q4811	TR	2SC3324-GR(TE85L_F)	1	2216825R2	
Q4812	TR	2SC3324-GR(TE85L_F)	1	2216825R2	
Q4901	IC	78M05(NJM78M05FA)	1	222780055JRC	
Q4902	IC	78M05(NJM78M05FA)	1	222780055JRC	
Q4903	IC	BU33TD3WG-TR	1	22242715R2	
Q4904	IC	BU33TD3WG-TR	1	22242715R2	
Q4906	IC	78M05(NJM78M05FA)	1	222780055JRC	
Q4951	IC	78M12HF(NJM78M12FA)	1	222780125JRC	
Q4951A	HEAT-SINK	HEAT-SINK	1	27160179	
Q4951B	SCREW	3TTB+8B(3CM)SR	1	801637	
Q4957	IC	79M12HF(NJM79M12FA)	1	222790125JRC	
Q4957A	HEAT-SINK	HEAT-SINK	1	27160179	
Q4957B	SCREW	3TTB+8B(3CM)SR	1	801637	
Q7001	IC	MPD780232GC-710-8BT-A	1	22242286R3	
Q7002	FL TUBE	13-BT-244GNK	1	212278	N
Q7002A	HOLDER	(FL)	1	27191281	
Q7003	TR	2SC2712-GR	1	2213145R2	

Q7505	IC	TPD2E001DRLR	1	22242589R2
Q8001	IC	NJU7202U33	1	22278033CR2JR
Q8002	TR	RN2402	1	2214530R2
Q8002 or	TR	KRA102S	(1)	2216220R2
Q8003	TR	RN2403	1	2214540R2
Q8003 or	TR	KRA103S	(1)	2216230R2
Q8004	IC	S-812C50AUA-C3E	1	22242240R2
Q8005	TR	RN1403(TE85R_F)	1	2214480R2
Q8005 or	TR	KRC103S	(1)	2216200R2
Q8006	IC	BU33TD3WG-TR	1	22242715R2
Q8007	IC (MAIN)	R5F364AKNFA (0492)	1	222W0111R304920
Q8008	IC	NJU7706F27A3	1	22242614R2
Q8009	IC	R1EX24016ASAS0A	1	22242675R2
Q8010	IC	MFI341S2164	1	22242594R2
Q8011	TR	RN2402	1	2214530R2
Q9501	TR	2SA949-O(TPE6_F)	1	2211353T
Q9501 or	TR	2SA949-Y(TPE6_F)	(1)	2211354T
Q9502	TR	DTC123JKA	1	2216690R2
Q9503	IC	NJU7706F27A3	1	22242614R2
<b>[TRANS COIL]</b>				
L1001	EMIFIL	BK1608LM252-T	1	230956R2
L1002	CHOKE COIL	LBC2518T2R2M	1	231364M022R2
L1003	CHOKE COIL	LBC2518T2R2M	1	231364M022R2
L1004	CHOKE COIL	LBC2518T2R2M	1	231364M022R2
L1005	CHOKE COIL	LBC2518T2R2M	1	231364M022R2
L1007	CHOKE COIL	LBC2518T2R2M	1	231364M022R2
L1008	EMIFIL	BK1608LL680-T	1	2350013R1
L1009	EMIFIL	BK1608LL680-T	1	2350013R1
L1010	EMIFIL	BK1608LL680-T	1	2350013R1
L1011	CHOKE COIL	LBC2518T2R2M	1	231364M022R2
L1012	EMIFIL	BK1608LL680-T	1	2350013R1
L1013	EMIFIL	BK1608LL680-T	1	2350013R1

L1014	EMIFIL	BK1608LL680-T	1	2350013R1	
L1901	CHOKE COIL	BLM21PG221SN1	1	230949R2	
L1902	CHOKE COIL	CDRH8D43_100	1	231371P100R2	
L1903	CHOKE COIL	LBC2518T2R2M	1	231364M022R2	
L1904	CHOKE COIL	BLM21PG221SN1	1	230949R2	
L1905	CHOKE COIL	BLM21PG221SN1	1	230949R2	
L2001	CORE	BLM18PG181SN1D	1	2350005R1	
L2003	CORE	BLM18PG181SN1D	1	2350005R1	
L2004	CORE	DLP11SA900HL2L	1	2350021R2	
L2005	CHOKE COIL	BLM21PG221SN1	1	230949R2	
L2010	EMIFIL	BK1608LL680-T	1	2350013R1	
L2011	EMIFIL	BK1608LL680-T	1	2350013R1	
L2012	EMIFIL	BK1608LL680-T	1	2350013R1	
L2013	EMIFIL	BK1608LL680-T	1	2350013R1	
L2014	EMIFIL	BK1608LM252-T	1	230956R2	
L2018	EMIFIL	BK1608LM252-T	1	230956R2	
L2501	EMIFIL	BK1608LM252-T	1	230956R2	
L2502	CHOKE COIL	LBC2518T470M	1	231364M470R2	
L2503	CHOKE COIL	LBC2518T470M	1	231364M470R2	
L4601	EMIFIL	BK1608LM252-T	1	230956R2	
L4602	EMIFIL	BK1608LM252-T	1	230956R2	
L7001	EMIFIL	BK1608LM252-T	1	230956R2	
L7002	EMIFIL	BK1608LM252-T	1	230956R2	
L7503	CORE	BLM18PG181SN1D	1	2350005R1	
L7505	CORE	BLM18PG181SN1D	1	2350005R1	
L8001	EMIFIL	BK1608LM182-T	1	230958R1	
L8002	CHOKE COIL	LBC2518T2R2M	1	231364M022R2	
T2501	MPX COIL	NSRF-2113	1	232202	
T9502	P TRANS	NPT-1520JQ	1	2301812A	! <B MDC>
T9502	P TRANS	NPT-1520GQ	1	2301813A	! <B MPP / S MPP>
X1001	CRYSTAL	HC-49S-16.9344M	1	3010508T	N
X2002	CRYSTAL	HC-49S-24.576M	1	3010509T	

X7001	CERA LOCK	CSTCR5M00G53-B0	1	3010356R2
X8001	CERA LOCK	CSTCR6M0055-R0	1	3010397R2
<b>[CAPACITOR]</b>				
C1004	C-CERA C	CK725B1H-103K1	1	332101035R1
C1005	C-CERA C	CC725CH1H-220J1	1	342102204R1
C1006	C-CERA C	CC725CH1H-180J1	1	342101804R1
C1025	C-CERA C	CK725F1E-104Z1	1	332161040R1
C1026	UTSP C	CE04W10V-220M(UTSP)	1	397532217T
C1027	UTSP C	CE04W10V-470M(UTSP)	1	397534717T
C1028	UTSP C	CE04W25V-100M(UTSP)	1	397551017T
C1029	C-CERA C	CK725F1A-105Z1	1	332181050R1
C1030	C-CERA C	CK725F1A-105Z1	1	332181050R1
C1031	C-CERA C	CK725F1E-104Z1	1	332161040R1
C1032	C-CERA C	CK725B1H-103K1	1	332101035R1
C1033	UTSP C	CE04W10V-220M(UTSP)	1	397532217T
C1034	C-CERA C	CK725F1A-105Z1	1	332181050R1
C1035	C-CERA C	CK725F1A-105Z1	1	332181050R1
C1036	C-CERA C	CK725B1H-153K1	1	332101535R1
C1039	C-CERA C	CK725F1A-105Z1	1	332181050R1
C1040	C-CERA C	CC725CH1H-470J1	1	342104704R1
C1041	C-CERA C	CK725B1H-473K1	1	332104735R1
C1042	UTSP C	CE04W10V-470M(UTSP)	1	397534717T
C1043	UTSP C	CE04W25V-100M(UTSP)	1	397551017T
C1045	C-CERA C	CK725F1A-105Z1	1	332181050R1
C1046	C-CERA C	CK725B1H-222K1	1	332102225R1
C1047	C-CERA C	CK725B1C-104K1	1	332121045R1
C1048	C-CERA C	CK725F1A-105Z1	1	332181050R1
C1049	UTSP C	CE04W10V-470M(UTSP)	1	397534717T
C1050	C-CERA C	CK725B1H-103K1	1	332101035R1
C1051	C-CERA C	CK725B1H-472K1	1	332104725R1
C1052	C-CERA C	CK725B1C-104K1	1	332121045R1
C1054	UTSP C	CE04W10V-220M(UTSP)	1	397532217T

C1055	C-CERA C	CK725B1H-153K1	1	332101535R1
C1056	C-CERA C	CK725B1H-473K1	1	332104735R1
C1057	C-CERA C	CK725B1C-104K1	1	332121045R1
C1058	C-CERA C	CK725F1A-105Z1	1	332181050R1
C1060	C-CERA C	CK725B1H-332K1	1	332103325R1
C1061	C-CERA C	CK725F1A-105Z1	1	332181050R1
C1062	C-CERA C	CC725CH1H-471J1	1	342104714R1
C1064	C-CERA C	CK725B1H-332K1	1	332103325R1
C1065	UTSP C	CE04W50V-2.2M(UTSP)	1	397580227T
C1067	UTSP C	CE04W10V-220M(UTSP)	1	397532217T
C1068	UTSP C	CE04W10V-220M(UTSP)	1	397532217T
C1069	C-CERA C	CK725F1A-105Z1	1	332181050R1
C1072	C-CERA C	CK725F1A-105Z1	1	332181050R1
C1073	C-CERA C	CK725F1A-105Z1	1	332181050R1
C1076	C-FILM C	ECHU16V-562J	1	373045624R2
C1077	C-CERA C	CK725B1H-333K1	1	332103335R1
C1078	C-CERA C	CK725F1A-105Z1	1	332181050R1
C1080	C-CERA C	CC725CH1H-471J1	1	342104714R1
C1083	C-CERA C	CK725B1H-473K1	1	332104735R1
C1085	C-CERA C	CK725B1H-473K1	1	332104735R1
C1086	UTSP C	CE04W25V-100M(UTSP)	1	397551017T
C1087	C-CERA C	CK725B1H-473K1	1	332104735R1
C1093	C-CERA C	CK725F1E-104Z1	1	332161040R1
C1901	TF C	ECQ-V50V-104J	1	374721044T
C1902	UTSK C	CE04W25V-3300M(UTSK)	1	398353327S
C1903	C-CERA C	CK725B1E-106K	1	332221065R2
C1904	C-CERA C	CK725B1E-106K	1	332221065R2
C1905	C-CERA C	CK725B1C-104K1	1	332121045R1
C1906	C-CERA C	CK725B1E-106K	1	332221065R2
C1907	C-CERA C	CK725B1E-106K	1	332221065R2
C1908	C-CERA C	CK725B1E-106K	1	332221065R2
C1909	C-CERA C	CK725B1C-104K1	1	332121045R1

C1911	C-CERA C	CK725B1H-103K1	1	332101035R1
C1912	C-CERA C	CK725B1E-106K	1	332221065R2
C1913	UTSP C	CE04W16V-470M(UTSP)	1	397544717T
C1914	C-CERA C	CK725B1E-106K	1	332221065R2
C1915	UTSP C	CE04W25V-100M(UTSP)	1	397551017T
C2001	C-CERA C	CK725B1E-106K	1	332221065R2
C2002	C-CERA C	CK725B1E-106K	1	332221065R2
C2003	C-CERA C	CK725F1E-104Z1	1	332161040R1
C2004	C-CERA C	CK725F1E-104Z1	1	332161040R1
C2005	C-CERA C	CK725F1E-104Z1	1	332161040R1
C2006	C-CERA C	CK725F1E-104Z1	1	332161040R1
C2007	C-CERA C	CK725B1E-106K	1	332221065R2
C2008	C-CERA C	CK725F1E-104Z1	1	332161040R1
C2012	C-CERA C	CK725B1E-106K	1	332221065R2
C2013	C-CERA C	CK725B1E-106K	1	332221065R2
C2014	C-CERA C	CK725B1E-106K	1	332221065R2
C2015	C-CERA C	CK725B1E-106K	1	332221065R2
C2016	C-CERA C	CK725B1H-103K1	1	332101035R1
C2017	UTSP C	CE04W10V-220M(UTSP)	1	397532217T
C2018	UTSP C	CE04W10V-470M(UTSP)	1	397534717T
C2019	C-CERA C	CK725F1E-104Z1	1	332161040R1
C2020	C-CERA C	CK725F1E-104Z1	1	332161040R1
C2021	UTSP C	CE04W50V 47M(UTSP)	1	397584707T
C2024	UTSP C	CE04W10V-470M(UTSP)	1	397534717T
C2025	C-CERA C	CK725F1E-104Z1	1	332161040R1
C2026	C-CERA C	CC725CH1H-220J1	1	342102204R1
C2027	C-CERA C	CC725CH1H-180J1	1	342101804R1
C2029	C-CERA C	CK725B1H-472K1	1	332104725R1
C2031	C-CERA C	CK725B1H-223K1	1	332102235R1
C2032	C-CERA C	CK725B1H-473K1	1	332104735R1
C2033	UTSP C	CE04W10V-470M(UTSP)	1	397534717T
C2034	C-CERA C	CK725B1H-103K1	1	332101035R1

C2039	C-CERA C	CC725CH1H-102J1	1	342101024R1	
C2040	C-CERA C	CK725F1E-104Z1	1	332161040R1	
C2044	C-CERA C	CK725F1E-104Z1	1	332161040R1	
C2045	C-CERA C	CK725F1E-104Z1	1	332161040R1	
C2501	UTSP C	CE04W25V-100M(UTSP)	1	397551017T	
C2502	TF C	ECQ-V50V-224J	1	374722244T	
C2503	TF C	ECQ-V50V-104J	1	374721044T	
C2504	C-CERA C	CK725B1E-106K	1	332221065R2	
C2505	C-CERA C	CK725F1E-104Z1	1	332161040R1	
C2507	TF C	ECQ-V50V-104J	1	374721044T	
C2508	C-CERA C	CK725B1E-106K	1	332221065R2	
C2509	UTSP C	CE04W25V-100M(UTSP)	1	397551017T	
C2510	UTSP C	CE04W25V-100M(UTSP)	1	397551017T	
C2511	C-CERA C	CK725F1E-104Z1	1	332161040R1	
C4003	C-FILM C	50ST104MA13216	1	376721047R2	N
C4004	C-FILM C	50ST104MA13216	1	376721047R2	N
C4005	UTSJ C	CE04W25V-47M(UTSJ)	1	398054707AT	
C4006	UTSJ C	CE04W25V-47M(UTSJ)	1	398054707AT	
C4009	C-FILM C	50ST104MA13216	1	376721047R2	N
C4010	C-FILM C	50ST104MA13216	1	376721047R2	N
C4011	UTSJ C	CE04W25V-47M(UTSJ)	1	398054707AT	
C4012	UTSJ C	CE04W25V-47M(UTSJ)	1	398054707AT	
C4015	UTSP C	CE04W10V-470M(UTSP)	1	397534717T	
C4016	UTSP C	CE04W10V-470M(UTSP)	1	397534717T	
C4019	C-FILM C	ECHU16V-103J	1	373041034R2	
C4020	C-FILM C	ECHU16V-103J	1	373041034R2	
C4023	UTSJ C	CE04W50V-47M(UTSJ)	1	398084707AT	
C4024	UTSJ C	CE04W50V-47M(UTSJ)	1	398084707AT	
C4055	UPZ C	2AUPZTF101JE	1	376331014T	
C4056	UPZ C	2AUPZTF101JE	1	376331014T	
C4063	TF C	ECQ-V50V-104J	1	374721044T	
C4064	TF C	ECQ-V50V-104J	1	374721044T	

C4065	TF C	ECQ-V50V-104J	1	374721044T
C4066	TF C	ECQ-V50V-104J	1	374721044T
C4603	UTSP C	CE04W16V-470M(UTSP)	1	397544717T
C4604	UTSP C	CE04W16V-470M(UTSP)	1	397544717T
C4605	C-CERA C	CC725CH1H-101J1	1	342101014R1
C4606	C-CERA C	CC725CH1H-101J1	1	342101014R1
C4607	C-CERA C	CC725CH1H-101J1	1	342101014R1
C4608	C-CERA C	CC725CH1H-101J1	1	342101014R1
C4609	C-CERA C	CC725CH1H-102J1	1	342101024R1
C4610	C-CERA C	CC725CH1H-102J1	1	342101024R1
C4612	UTSP C	CE04W50V 47M(UTSP)	1	397584707T
C4613	UTSP C	CE04W50V 47M(UTSP)	1	397584707T
C4614	TF C	ECQ-V50V-104J	1	374721044T
C4615	UTSP C	CE04W6.3V-1000M(UTSP)	1	397521027T
C4616	UTSP C	CE04W50V 47M(UTSP)	1	397584707T
C4617	UTSP C	CE04W50V 47M(UTSP)	1	397584707T
C4701	C-FILM C	ECHU50V-152J	1	373021524R2
C4702	C-FILM C	ECHU50V-152J	1	373021524R2
C4703	UTSP C	CE04W50V-22M(UTSP)	1	397582207T
C4704	UTSP C	CE04W50V-22M(UTSP)	1	397582207T
C4705	C-FILM C	ECHU50V-152J	1	373021524R2
C4706	C-FILM C	ECHU50V-152J	1	373021524R2
C4707	C-FILM C	ECHU50V-152J	1	373021524R2
C4708	C-FILM C	ECHU50V-152J	1	373021524R2
C4709	UTSP C	CE04W50V-22M(UTSP)	1	397582207T
C4710	UTSP C	CE04W50V-22M(UTSP)	1	397582207T
C4713	UTSP C	CE04W50V-22M(UTSP)	1	397582207T
C4714	UTSP C	CE04W50V-22M(UTSP)	1	397582207T
C4715	C-FILM C	ECHU50V-332J	1	373023324R2
C4716	C-FILM C	ECHU50V-332J	1	373023324R2
C4801	UTSP C	CE04W50V 47M(UTSP)	1	397584707T
C4802	UTSP C	CE04W50V 47M(UTSP)	1	397584707T



C4803	UTSP C	CE04W50V 47M(UTSP)	1	397584707T	
C4804	UTSP C	CE04W50V 47M(UTSP)	1	397584707T	
C4901	C-FILM C	50ST104MA13216	1	376721047R2	N
C4902	C-FILM C	50ST104MA13216	1	376721047R2	N
C4905	C-FILM C	50ST104MA13216	1	376721047R2	N
C4906	C-FILM C	50ST104MA13216	1	376721047R2	N
C4907	UTSP C	CE04W10V-220M(UTSP)	1	397532217T	
C4908	UTSP C	CE04W10V-220M(UTSP)	1	397532217T	
C4909	UTSP C	CE04W25V-220M(UTSP)	1	397552217T	
C4910	UTSP C	CE04W25V-220M(UTSP)	1	397552217T	
C4911	UTSP C	CE04W25V-220M(UTSP)	1	397552217T	
C4912	UTSP C	CE04W25V-220M(UTSP)	1	397552217T	
C4916	UTSP C	CE04W10V-220M(UTSP)	1	397532217T	
C4951	TF C	ECQ-V50V-104J	1	374721044T	
C4952	UTSP C	CE04W16V-470M(UTSP)	1	397544717T	
C4953	ELECT C	CE69W35V-4700M	1	3504477	
C4955	TF C	ECQ-V50V-104J	1	374721044T	
C4956	TF C	ECQ-V50V-104J	1	374721044T	
C4958	TF C	ECQ-V50V-104J	1	374721044T	
C4959	UTSP C	CE04W16V-470M(UTSP)	1	397544717T	
C4960	ELECT C	CE69W35V-4700M	1	3504477	
C7001	ELECT C	CE04W16V-47M	1	355744709T	
C7002	C-CERA C	CK725F1E-104Z1	1	332161040R1	
C7003	C-CERA C	CK725F1E-104Z1	1	332161040R1	
C7004	C-CERA C	CK725F1E-104Z1	1	332161040R1	
C7005	ELECT C	CE04W50V-10M	1	355781009T	
C7006	ELECT C	CE04W16V-47M	1	355744709T	
C7007	C-CERA C	CC725CH1H-102J1	1	342101024R1	
C7012	TF C	ECQ-V50V-104J	1	374721044T	
C7016	C-CERA C	CC725CH1H-330J1	1	342103304R1	
C7017	C-CERA C	CC725CH1H-330J1	1	342103304R1	
C7018	C-CERA C	CC725CH1H-330J1	1	342103304R1	

C7019	C-CERA C	CC725CH1H-330J1	1	342103304R1
C7020	C-CERA C	CK725F1E-104Z1	1	332161040R1
C7021	C-CERA C	CC725CH1H-221J1	1	342102214R1
C7022	C-CERA C	CC725CH1H-221J1	1	342102214R1
C7031	ELECT C	CE04W16V-47M	1	355744709T
C7032	C-CERA C	CK725F1E-104Z1	1	332161040R1
C7523	C-CERA C	CK725F1E-104Z1	1	332161040R1
C7524	C-CERA C	CC725CH1H-102J1	1	342101024R1
C8001	C-CERA C	CC725CH1H-101J1	1	342101014R1
C8003	C-CERA C	CK725F1E-104Z1	1	332161040R1
C8004	UTSP C	CE04W25V-100M(UTSP)	1	397551017T
C8005	C-CERA C	CK725F1A-105Z1	1	332181050R1
C8006	C-CERA C	CK725F1A-105Z1	1	332181050R1
C8007	C-CERA C	CK725B1C-104K1	1	332121045R1
C8008	UTSP C	CE04W50V-10M(UTSP)	1	397581007T
C8009	C-CERA C	CK725F1E-104Z1	1	332161040R1
C8010	UTSP C	CE04W10V-220M(UTSP)	1	397532217T
C8011	C-CERA C	CK725F1A-105Z1	1	332181050R1
C8012	C-CERA C	CK725F1A-105Z1	1	332181050R1
C8013	C-CERA C	CK725B1E-106K	1	332221065R2
C8014	C-CERA C	CK725F1A-105Z1	1	332181050R1
C8015	C-CERA C	CK725B1E-106K	1	332221065R2
C8016	C-CERA C	CK725F1E-104Z1	1	332161040R1
C8017	C-CERA C	CK725F1E-104Z1	1	332161040R1
C8018	C-CERA C	CK725F1A-105Z1	1	332181050R1
C8019	C-CERA C	CK725F1E-104Z1	1	332161040R1
C8020	C-CERA C	CK725F1E-104Z1	1	332161040R1
C8021	C-CERA C	CK725F1A-105Z1	1	332181050R1
C8022	C-CERA C	CK725F1A-105Z1	1	332181050R1
C8023	C-CERA C	CK725F1A-105Z1	1	332181050R1
C8024	C-CERA C	CK725F1A-105Z1	1	332181050R1
C8025	C-CERA C	CK725F1A-105Z1	1	332181050R1

C8026	C-CERA C	CK725F1E-104Z1	1	332161040R1	
C8027	C-CERA C	CK725F1E-104Z1	1	332161040R1	
C8028	C-CERA C	CK725B1E-106K	1	332221065R2	
C8029	C-CERA C	CK725B1C-104K1	1	332121045R1	
C8030	C-CERA C	CK725F1A-105Z1	1	332181050R1	
C8031	C-CERA C	CK725F1E-104Z1	1	332161040R1	
C8032	C-CERA C	CK725F1E-104Z1	1	332161040R1	
C9501	UTSP C	CE04W50V-100M(UTSP)	1	397581017T	!
C9502	UTSP C	CE04W50V-100M(UTSP)	1	397581017T	
C9503	UTSP C	CE04W50V-10M(UTSP)	1	397581007T	
C9504	UTSP C	CE04W50V-10M(UTSP)	1	397581007T	
C9505	IS C	RE275V-103M	1	3500196S	!
C9506	IS C	RE275V-103M	1	3500196S	!
C9507	TF C	ECQ-V50V-104J	1	374721044T	
C9508	TF C	ECQ-V50V-104J	1	374721044T	
C9509	UTSP C	CE04W25V-470M(UTSP)	1	397554717T	
C9510	UTSK C	CE04W16V-2200M(UTSK)	1	398342227S	
C9511	TF C	ECQ-V50V-104J	1	374721044T	
C9512	UTSP C	CE04W50V-4.7M(UTSP)	1	397580477T	
C9513	C-CERA C	CK725F1E-104Z1	1	332161040R1	
<b>[RESISTOR]</b>					
R1001	C-CARBON R	RN72K1J-221JE	1	435032214R1	
R1002	C-CARBON R	RN72K1J-221JE	1	435032214R1	
R1003	C-CARBON R	RN72K1J-821JE	1	435038214R1	
R1004	C-CARBON R	RN72K1J-105JE	1	435031054R1	
R1005	C-CARBON R	RN72K1J-272JE	1	435032724R1	
R1006	C-CARBON R	RN72K1J-331JE	1	435033314R1	
R1022	C-CARBON R	RN72K1J-332JE	1	435033324R1	
R1057	C-CARBON R	RN72K1J-103JE	1	435031034R1	
R1058	C-CARBON R	RN72K1J-182JE	1	435031824R1	
R1059	C-CARBON R	RN72K1J-334JE	1	435033344R1	
R1060	C-CARBON R	RN72K1J-153JE	1	435031534R1	

R1061	C-CARBON R	RN72K1J-470JE	1	435034704R1
R1062	C-CARBON R	RN72K1J-470JE	1	435034704R1
R1063	C-CARBON R	RN72K1J-103JE	1	435031034R1
R1064	C-CARBON R	RN72K1J-473JE	1	435034734R1
R1065	C-CARBON R	RN72K1J-103JE	1	435031034R1
R1066	C-CARBON R	RN72K1J-103JE	1	435031034R1
R1067	C-CARBON R	RN72K1J-470JE	1	435034704R1
R1068	C-CARBON R	RN72K1J-470JE	1	435034704R1
R1069	C-CARBON R	RN72K1J-103JE	1	435031034R1
R1070	C-CARBON R	RN72K1J-473JE	1	435034734R1
R1071	C-CARBON R	RN72K1J-221JE	1	435032214R1
R1074	C-CARBON R	RN72K1J-473JE	1	435034734R1
R1082	C-CARBON R	RN72K1J-153JE	1	435031534R1
R1083	C-CARBON R	RN72K1J-470JE	1	435034704R1
R1084	C-CARBON R	RN72K1J-153JE	1	435031534R1
R1085	C-CARBON R	RN72K1J-000JE	1	435030004R1
R1086	C-CARBON R	RN72K1J-222JE	1	435032224R1
R1087	C-CARBON R	RN72K1J-000JE	1	435030004R1
R1088	C-CARBON R	RN72K1J-222JE	1	435032224R1
R1089	C-CARBON R	RN72K1J-000JE	1	435030004R1
R1091	C-CARBON R	RN72K1J-000JE	1	435030004R1
R1092	C-CARBON R	RN72K1J-000JE	1	435030004R1
R1093	C-CARBON R	RN72K1J-105JE	1	435031054R1
R1094	C-CARBON R	RN72K1J-000JE	1	435030004R1
R1096	C-CARBON R	RN72K1J-332JE	1	435033324R1
R1097	C-CARBON R	RN72K1J-000JE	1	435030004R1
R1099	C-CARBON R	RN72K1J-000JE	1	435030004R1
R1100	C-CARBON R	RN72K1J-000JE	1	435030004R1
R1101	C-CARBON R	RN72K1J-221JE	1	435032214R1
R1102	C-CARBON R	RN72K1J-000JE	1	435030004R1
R1103	C-CARBON R	RN72K1J-123JE	1	435031234R1
R1105	C-CARBON R	RN72K1J-153JE	1	435031534R1

R1106	C-CARBON R	RN72K1J-100JE	1	435031004R1
R1107	C-CARBON R	RN72K1J-222JE	1	435032224R1
R1112	C-CARBON R	RN72K1J-470JE	1	435034704R1
R1113	C-CARBON R	RN72K1J-331JE	1	435033314R1
R1114	C-CARBON R	RN72K1J-470JE	1	435034704R1
R1115	C-CARBON R	RN72K1J-470JE	1	435034704R1
R1117	C-CARBON R	RN72K1J-331JE	1	435033314R1
R1118	C-CARBON R	RN72K1J-331JE	1	435033314R1
R1119	C-CARBON R	RN72K1J-470JE	1	435034704R1
R1120	C-CARBON R	RN72K1J-470JE	1	435034704R1
R1123	C-CARBON R	RN72K1J-330JE	1	435033304R1
R1124	C-CARBON R	RN72K1J-330JE	1	435033304R1
R1144	C-CARBON R	RN72K1J-103JE	1	435031034R1
R1145	C-CARBON R	RN72K1J-103JE	1	435031034R1
R1146	C-CARBON R	RN72K1J-222JE	1	435032224R1
R1147	C-CARBON R	RN72K1J-221JE	1	435032214R1
R1148	C-CARBON R	RN72K1J-221JE	1	435032214R1
R1901	FUSE	3.5A-UL/T-251	1	252370T
R1904	C-CARBON R	RN72K1J-822JE	1	435038224R1
R1905	C-CARBON R	RN72K1J-103FE	1	435031032R1
R1907	C-CARBON R	RN72K1J-563FE	1	435035632R1
R1908	C-CARBON R	RN72K1J-274FE	1	435032742R1
R1909	METAL O R	RS1WBJ-10	1	443621004T
R1910	METAL R	RNU1WCJ-8.2	1	453630824T
R2001	C-CARBON R	RN72K1J-103JE	1	435031034R1
R2002	C-CARBON R	RN72K1J-473JE	1	435034734R1
R2003	C-CARBON R	RN72K1J-221JE	1	435032214R1
R2004	C-CARBON R	RN72K1J-000JE	1	435030004R1
R2005	C-CARBON R	RN72K1J-103JE	1	435031034R1
R2006	C-CARBON R	RN72K1J-103JE	1	435031034R1
R2007	C-CARBON R	RN72K1J-103JE	1	435031034R1
R2008	C-CARBON R	RN72K1J-103JE	1	435031034R1

R2009	C-CARBON R	RN72K1J-470JE	1	435034704R1
R2010	C-CARBON R	RN72K1J-470JE	1	435034704R1
R2011	C-CARBON R	RN72K1J-470JE	1	435034704R1
R2012	C-CARBON R	RN72K1J-470JE	1	435034704R1
R2013	C-CARBON R	RN72K1J-103JE	1	435031034R1
R2014	C-CARBON R	RN72K1J-103JE	1	435031034R1
R2015	C-CARBON R	RN72K1J-103JE	1	435031034R1
R2016	C-CARBON R	RN72K1J-103JE	1	435031034R1
R2017	C-CARBON R	RN72K1J-103JE	1	435031034R1
R2018	C-CARBON R	RN72K1J-103JE	1	435031034R1
R2019	C-CARBON R	RN72K1J-103JE	1	435031034R1
R2020	C-CARBON R	RN72K1J-103JE	1	435031034R1
R2021	C-CARBON R	RN72K1J-103JE	1	435031034R1
R2022	C-CARBON R	RN72K1J-103JE	1	435031034R1
R2023	C-CARBON R	RN72K1J-103JE	1	435031034R1
R2024	C-CARBON R	RN72K1J-103JE	1	435031034R1
R2025	C-CARBON R	RN72K1J-103JE	1	435031034R1
R2027	C-CARBON R	RN72K1J-103JE	1	435031034R1
R2028	C-CARBON R	RN72K1J-331JE	1	435033314R1
R2030	C-CARBON R	RN72K1J-103JE	1	435031034R1
R2032	C-CARBON R	RN72K1J-103JE	1	435031034R1
R2036	C-CARBON R	RN72K1J-123JE	1	435031234R1
R2037	C-CARBON R	RN72K1J-470JE	1	435034704R1
R2038	C-CARBON R	RN72K1J-103JE	1	435031034R1
R2041	C-CARBON R	RN72K1J-221JE	1	435032214R1
R2042	C-CARBON R	RN72K1J-331JE	1	435033314R1
R2043	C-CARBON R	RN72K1J-331JE	1	435033314R1
R2044	C-CARBON R	RN72K1J-331JE	1	435033314R1
R2045	C-CARBON R	RN72K1J-470JE	1	435034704R1
R2046	C-CARBON R	RN72K1J-331JE	1	435033314R1
R2047	C-CARBON R	RN72K1J-331JE	1	435033314R1
R2048	C-CARBON R	RN72K1J-331JE	1	435033314R1

R2049	C-CARBON R	RN72K1J-331JE	1	435033314R1
R2050	C-CARBON R	RN72K1J-103JE	1	435031034R1
R2051	C-CARBON R	RN72K1J-103JE	1	435031034R1
R2052	C-CARBON R	RN72K1J-103JE	1	435031034R1
R2053	C-CARBON R	RN72K1J-103JE	1	435031034R1
R2054	C-CARBON R	RN72K1J-470JE	1	435034704R1
R2055	C-CARBON R	RN72K1J-470JE	1	435034704R1
R2056	C-CARBON R	RN72K1J-331JE	1	435033314R1
R2057	C-CARBON R	RN72K1J-103JE	1	435031034R1
R2058	C-CARBON R	RN72K1J-470JE	1	435034704R1
R2059	C-CARBON R	RN72K1J-470JE	1	435034704R1
R2060	C-CARBON R	RN72K1J-103JE	1	435031034R1
R2062	C-CARBON R	RN72K1J-221JE	1	435032214R1
R2064	C-CARBON R	RN72K1J-103JE	1	435031034R1
R2067	C-CARBON R	RN72K1J-681JE	1	435036814R1
R2077	C-CARBON R	RN72K1J-470JE	1	435034704R1
R2078	C-CARBON R	RN72K1J-470JE	1	435034704R1
R2079	C-CARBON R	RN72K1J-470JE	1	435034704R1
R2080	C-CARBON R	RN72K1J-470JE	1	435034704R1
R2090	C-CARBON R	RN72K1J-222JE	1	435032224R1
R2091	C-CARBON R	RN72K1J-222JE	1	435032224R1
R2501	C-CARBON R	RN72K1J-151JE	1	435031514R1
R2502	C-CARBON R	RN72K1J-000JE	1	435030004R1
R2503	C-CARBON R	RN72K1J-151JE	1	435031514R1
R2506	C-CARBON R	RN72K1J-101JE	1	435031014R1
R2509	C-CARBON R	RN72K1J-473JE	1	435034734R1
R4005	C-CARBON R	RN72K1J-331JE	1	435033314R1
R4006	C-CARBON R	RN72K1J-331JE	1	435033314R1
R4007	C-CARBON R	RN72K1J-331JE	1	435033314R1
R4008	C-CARBON R	RN72K1J-331JE	1	435033314R1
R4009	C-CARBON R	RN72K1J-331JE	1	435033314R1
R4010	C-CARBON R	RN72K1J-331JE	1	435033314R1

R4011	C-CARBON R	RN72K1J-331JE	1	435033314R1
R4012	C-CARBON R	RN72K1J-331JE	1	435033314R1
R4013	C-CARBON R	RN72K1J-331JE	1	435033314R1
R4014	C-CARBON R	RN72K1J-331JE	1	435033314R1
R4015	C-CARBON R	RN72K1J-470JE	1	435034704R1
R4016	C-CARBON R	RN72K1J-470JE	1	435034704R1
R4017	C-CARBON R	RN72K1J-470JE	1	435034704R1
R4018	C-CARBON R	RN72K1J-470JE	1	435034704R1
R4025	C-CARBON R	RN72K1J-222FE	1	435032222R1
R4026	C-CARBON R	RN72K1J-222FE	1	435032222R1
R4029	C-CARBON R	RN72K1J-222FE	1	435032222R1
R4030	C-CARBON R	RN72K1J-222FE	1	435032222R1
R4033	C-CARBON R	RN72K1J-222FE	1	435032222R1
R4034	C-CARBON R	RN72K1J-222FE	1	435032222R1
R4037	C-CARBON R	RN72K1J-222FE	1	435032222R1
R4038	C-CARBON R	RN72K1J-222FE	1	435032222R1
R4039	C-CARBON R	RN72K1J-224JE	1	435032244R1
R4040	C-CARBON R	RN72K1J-224JE	1	435032244R1
R4045	C-CARBON R	RN72K1J-000JE	1	435030004R1
R4046	C-CARBON R	RN72K1J-000JE	1	435030004R1
R4079	C-CARBON R	RN72K1J-101JE	1	435031014R1
R4080	C-CARBON R	RN72K1J-101JE	1	435031014R1
R4081	C-CARBON R	RN72K1J-101JE	1	435031014R1
R4082	C-CARBON R	RN72K1J-101JE	1	435031014R1
R4083	C-CARBON R	RN72K1J-101JE	1	435031014R1
R4084	C-CARBON R	RN72K1J-101JE	1	435031014R1
R4089	C-CARBON R	RN72K1J-152JE	1	435031524R1
R4090	C-CARBON R	RN72K1J-152JE	1	435031524R1
R4091	C-CARBON R	RN72K1J-152JE	1	435031524R1
R4092	C-CARBON R	RN72K1J-152JE	1	435031524R1
R4093	C-CARBON R	RN72K1J-000JE	1	435030004R1
R4094	C-CARBON R	RN72K1J-000JE	1	435030004R1



R4603	C-CARBON R	RN72K1J-224JE	1	435032244R1
R4604	C-CARBON R	RN72K1J-224JE	1	435032244R1
R4605	C-CARBON R	RN72K1J-103JE	1	435031034R1
R4606	C-CARBON R	RN72K1J-103JE	1	435031034R1
R4607	C-CARBON R	RN72K1J-103JE	1	435031034R1
R4608	C-CARBON R	RN72K1J-103JE	1	435031034R1
R4609	C-CARBON R	RN72K1J-103JE	1	435031034R1
R4610	C-CARBON R	RN72K1J-103JE	1	435031034R1
R4611	C-CARBON R	RN72K1J-103JE	1	435031034R1
R4612	C-CARBON R	RN72K1J-103JE	1	435031034R1
R4613	C-CARBON R	RN72K1J-681JE	1	435036814R1
R4614	C-CARBON R	RN72K1J-681JE	1	435036814R1
R4617	C-CARBON R	RN72K1J-681JE	1	435036814R1
R4618	C-CARBON R	RN72K1J-681JE	1	435036814R1
R4619	VARI R	RK09L12BF20-C0-A203	1	5112534
R4621	C-CARBON R	RN72K1J-104JE	1	435031044R1
R4622	C-CARBON R	RN72K1J-104JE	1	435031044R1
R4624	C-CARBON R	RN72K1J-224JE	1	435032244R1
R4625	C-CARBON R	RN72K1J-224JE	1	435032244R1
R4626	C-CARBON R	RN72K1J-100JE	1	435031004R1
R4627	C-CARBON R	RN72K1J-100JE	1	435031004R1
R4628	C-CARBON R	RN72K1J-104JE	1	435031044R1
R4629	C-CARBON R	RN72K1J-224JE	1	435032244R1
R4630	C-CARBON R	RN72K1J-224JE	1	435032244R1
R4631	C-CARBON R	RN72K1J-331JE	1	435033314R1
R4632	C-CARBON R	RN72K1J-331JE	1	435033314R1
R4634	C-CARBON R	RN72K1J-104JE	1	435031044R1
R4653	C-CARBON R	RN72K1J-223JE	1	435032234R1
R4654	C-CARBON R	RN72K1J-223JE	1	435032234R1
R4655	C-CARBON R	RN72K1J-000JE	1	435030004R1
R4701	C-CARBON R	RN72K1J-102FE	1	435031022R1
R4702	C-CARBON R	RN72K1J-102FE	1	435031022R1

R4703	C-CARBON R	RN72K1J-122JE	1	435031224R1
R4704	C-CARBON R	RN72K1J-122JE	1	435031224R1
R4707	C-CARBON R	RN72K1J-472JE	1	435034724R1
R4708	C-CARBON R	RN72K1J-472JE	1	435034724R1
R4709	C-CARBON R	RN72K1J-821JE	1	435038214R1
R4710	C-CARBON R	RN72K1J-821JE	1	435038214R1
R4711	C-CARBON R	RN72K1J-101JE	1	435031014R1
R4712	C-CARBON R	RN72K1J-101JE	1	435031014R1
R4713	C-CARBON R	RN72K1J-562JE	1	435035624R1
R4714	C-CARBON R	RN72K1J-562JE	1	435035624R1
R4715	C-CARBON R	RN72K1J-331JE	1	435033314R1
R4716	C-CARBON R	RN72K1J-331JE	1	435033314R1
R4717	C-CARBON R	RN72K1J-331JE	1	435033314R1
R4718	C-CARBON R	RN72K1J-331JE	1	435033314R1
R4719	C-CARBON R	RN72K1J-102FE	1	435031022R1
R4720	C-CARBON R	RN72K1J-102FE	1	435031022R1
R4721	C-CARBON R	RN72K1J-103JE	1	435031034R1
R4722	C-CARBON R	RN72K1J-103JE	1	435031034R1
R4723	C-CARBON R	RN72K1J-152JE	1	435031524R1
R4724	C-CARBON R	RN72K1J-152JE	1	435031524R1
R4725	C-CARBON R	RN72K1J-220JE	1	435032204R1
R4726	C-CARBON R	RN72K1J-220JE	1	435032204R1
R4727	C-CARBON R	RN72K1J-122JE	1	435031224R1
R4728	C-CARBON R	RN72K1J-122JE	1	435031224R1
R4731	C-CARBON R	RN72K1J-561JE	1	435035614R1
R4732	C-CARBON R	RN72K1J-561JE	1	435035614R1
R4733	C-CARBON R	RN72K1J-220JE	1	435032204R1
R4734	C-CARBON R	RN72K1J-220JE	1	435032204R1
R4735	C-CARBON R	RN72K1J-103JE	1	435031034R1
R4736	C-CARBON R	RN72K1J-103JE	1	435031034R1
R4737	C-CARBON R	RN72K1J-331JE	1	435033314R1
R4738	C-CARBON R	RN72K1J-331JE	1	435033314R1

R4739	C-CARBON R	RN72K1J-152JE	1	435031524R1
R4740	C-CARBON R	RN72K1J-152JE	1	435031524R1
R4741	C-CARBON R	RN72K1J-331JE	1	435033314R1
R4742	C-CARBON R	RN72K1J-331JE	1	435033314R1
R4743	C-CARBON R	RN72K1J-562JE	1	435035624R1
R4744	C-CARBON R	RN72K1J-562JE	1	435035624R1
R4745	C-CARBON R	RN72K1J-821JE	1	435038214R1
R4746	C-CARBON R	RN72K1J-821JE	1	435038214R1
R4747	C-CARBON R	RN72K1J-472JE	1	435034724R1
R4748	C-CARBON R	RN72K1J-472JE	1	435034724R1
R4749	C-CARBON R	RN72K1J-101JE	1	435031014R1
R4750	C-CARBON R	RN72K1J-101JE	1	435031014R1
R4751	C-CARBON R	RN72K1J-100JE	1	435031004R1
R4752	C-CARBON R	RN72K1J-100JE	1	435031004R1
R4753	C-CARBON R	RN72K1J-101FE	1	435031012R1
R4754	C-CARBON R	RN72K1J-101FE	1	435031012R1
R4755	C-CARBON R	RN72K1J-101FE	1	435031012R1
R4756	C-CARBON R	RN72K1J-101FE	1	435031012R1
R4801	C-CARBON R	RN72K1J-332JE	1	435033324R1
R4802	C-CARBON R	RN72K1J-332JE	1	435033324R1
R4807	C-CARBON R	RN72K1J-223JE	1	435032234R1
R4808	C-CARBON R	RN72K1J-223JE	1	435032234R1
R4809	C-CARBON R	RN72K1J-221JE	1	435032214R1
R4810	C-CARBON R	RN72K1J-221JE	1	435032214R1
R4811	C-CARBON R	RN72K1J-820JE	1	435038204R1
R4812	C-CARBON R	RN72K1J-820JE	1	435038204R1
R4813	C-CARBON R	RN72K1J-101JE	1	435031014R1
R4814	C-CARBON R	RN72K1J-101JE	1	435031014R1
R4815	C-CARBON R	RN72K1J-820JE	1	435038204R1
R4816	C-CARBON R	RN72K1J-820JE	1	435038204R1
R4817	C-CARBON R	RN72K1J-223JE	1	435032234R1
R4818	C-CARBON R	RN72K1J-223JE	1	435032234R1

R4819	C-CARBON R	RN72K1J-221JE	1	435032214R1
R4820	C-CARBON R	RN72K1J-221JE	1	435032214R1
R4821	C-CARBON R	RN72K1J-332JE	1	435033324R1
R4822	C-CARBON R	RN72K1J-332JE	1	435033324R1
R4901	METAL R	RNU1WCJ-4.7	1	453630474T
R4902	METAL R	RNU1WCJ-4.7	1	453630474T
R4903	C-CARBON R	RN72K2E-047JE	1	435220474R1
R4904	C-CARBON R	RN72K2E-047JE	1	435220474R1
R4905	METAL R	RNU1WCJ-4.7	1	453630474T
R4906	METAL R	RNU1WCJ-4.7	1	453630474T
R4907	METAL R	RNU1WCJ-4.7	1	453630474T
R4908	METAL R	RNU1WCJ-4.7	1	453630474T
R4910	METAL O R	RS1WBJ-33	1	443623304T
R4953	FUSE	3.5A-UL/T-251	1	252370T
R4954	FUSE	3.5A-UL/T-251	1	252370T
R7001	C-CARBON R	RN72K1J-471JE	1	435034714R1
R7002	C-CARBON R	RN72K1J-471JE	1	435034714R1
R7003	C-CARBON R	RN72K1J-223JE	1	435032234R1
R7005	C-CARBON R	RN72K1J-104JE	1	435031044R1
R7006	C-CARBON R	RN72K1J-104JE	1	435031044R1
R7007	C-CARBON R	RN72K1J-104JE	1	435031044R1
R7008	C-CARBON R	RN72K1J-104JE	1	435031044R1
R7011	C-CARBON R	RN72K1J-105JE	1	435031054R1
R7012	C-CARBON R	RN72K1J-221JE	1	435032214R1
R7013	C-CARBON R	RN72K1J-471JE	1	435034714R1
R7014	C-CARBON R	RN72K1J-471JE	1	435034714R1
R7015	C-CARBON R	RN72K1J-101JE	1	435031014R1
R7016	C-CARBON R	RN72K1J-000JE	1	435030004R1
R7017	C-CARBON R	RN72K1J-101JE	1	435031014R1
R7018	C-CARBON R	RN72K1J-223JE	1	435032234R1
R7019	C-CARBON R	RN72K1J-103JE	1	435031034R1
R7020	C-CARBON R	RN72K1J-103JE	1	435031034R1

R7021	C-CARBON R	RN72K1J-272JE	1	435032724R1
R7022	C-CARBON R	RN72K1J-272JE	1	435032724R1
R7031	C-CARBON R	RN72K1J-102JE	1	435031024R1
R7032	C-CARBON R	RN72K1J-101JE	1	435031014R1
R7034	C-CARBON R	RN72K1J-391JE	1	435033914R1
R7035	C-CARBON R	RN72K1J-471JE	1	435034714R1
R7041	C-CARBON R	RN72K1J-391JE	1	435033914R1
R7042	C-CARBON R	RN72K1J-471JE	1	435034714R1
R7043	C-CARBON R	RN72K1J-821JE	1	435038214R1
R7045	C-CARBON R	RN72K1J-102JE	1	435031024R1
R7046	C-CARBON R	RN72K1J-182JE	1	435031824R1
R8002	C-CARBON R	RN72K1J-471JE	1	435034714R1
R8003	C-CARBON R	RN72K1J-470JE	1	435034704R1
R8004	C-CARBON R	RN72K1J-473JE	1	435034734R1
R8005	C-CARBON R	RN72K1J-101JE	1	435031014R1
R8006	C-CARBON R	RN72K1J-224JE	1	435032244R1
R8007	C-CARBON R	RN72K1J-682JE	1	435036824R1
R8008	C-CARBON R	RN72K1J-101JE	1	435031014R1
R8009	C-CARBON R	RN72K1J-101JE	1	435031014R1
R8010	C-CARBON R	RN72K1J-102JE	1	435031024R1
R8011	C-CARBON R	RN72K1J-470JE	1	435034704R1
R8012	C-CARBON R	RN72K1J-101JE	1	435031014R1
R8013	C-CARBON R	RN72K1J-101JE	1	435031014R1
R8014	C-CARBON R	RN72K1J-101JE	1	435031014R1
R8015	C-CARBON R	RN72K1J-101JE	1	435031014R1
R8016	C-CARBON R	RN72K1J-104JE	1	435031044R1
R8017	C-CARBON R	RN72K1J-470JE	1	435034704R1
R8018	C-CARBON R	RN72K1J-101JE	1	435031014R1
R8019	C-CARBON R	RN72K1J-101JE	1	435031014R1
R8020	C-CARBON R	RN72K1J-470JE	1	435034704R1
R8021	METAL O R	RS1/2WBJ-33	1	443523304T
R8022	C-CARBON R	RN72K1J-472JE	1	435034724R1

R8023	C-CARBON R	RN72K1J-470JE	1	435034704R1	
R8024	C-CARBON R	RN72K1J-472JE	1	435034724R1	
R8025	C-CARBON R	RN72K1J-470JE	1	435034704R1	
R8026	C-CARBON R	RN72K1J-473JE	1	435034734R1	
R8027	C-CARBON R	RN72K1J-473JE	1	435034734R1	<B MDC>
R8028	C-CARBON R	RN72K1J-101JE	1	435031014R1	
R8029	C-CARBON R	RN72K1J-470JE	1	435034704R1	
R8030	C-CARBON R	RN72K1J-470JE	1	435034704R1	
R8031	C-CARBON R	RN72K1J-470JE	1	435034704R1	
R8032	C-CARBON R	RN72K1J-470JE	1	435034704R1	
R8033	C-CARBON R	RN72K1J-470JE	1	435034704R1	
R8034	C-CARBON R	RN72K1J-272JE	1	435032724R1	
R8035	C-CARBON R	RN72K1J-470JE	1	435034704R1	
R8036	C-CARBON R	RN72K1J-103JE	1	435031034R1	
R8037	C-CARBON R	RN72K1J-470JE	1	435034704R1	
R8038	C-CARBON R	RN72K1J-104JE	1	435031044R1	
R8039	C-CARBON R	RN72K1J-470JE	1	435034704R1	
R8040	C-CARBON R	RN72K1J-470JE	1	435034704R1	
R8041	C-CARBON R	RN72K1J-104JE	1	435031044R1	
R8042	C-CARBON R	RN72K1J-470JE	1	435034704R1	
R8043	C-CARBON R	RN72K1J-104JE	1	435031044R1	
R8044	C-CARBON R	RN72K1J-470JE	1	435034704R1	
R8045	C-CARBON R	RN72K1J-470JE	1	435034704R1	
R8046	C-CARBON R	RN72K1J-470JE	1	435034704R1	
R8047	C-CARBON R	RN72K1J-470JE	1	435034704R1	
R8048	C-CARBON R	RN72K1J-470JE	1	435034704R1	
R8049	C-CARBON R	RN72K1J-470JE	1	435034704R1	
R8050	C-CARBON R	RN72K1J-104JE	1	435031044R1	
R8052	C-CARBON R	RN72K1J-154JE	1	435031544R1	
R8053	C-CARBON R	RN72K1J-101JE	1	435031014R1	
R8054	C-CARBON R	RN72K1J-101JE	1	435031014R1	
R8055	C-CARBON R	RN72K1J-101JE	1	435031014R1	

R8057	C-CARBON R	RN72K1J-104JE	1	435031044R1	
R8058	C-CARBON R	RN72K1J-101JE	1	435031014R1	
R8059	C-CARBON R	RN72K1J-101JE	1	435031014R1	
R8060	C-CARBON R	RN72K1J-000JE	1	435030004R1	
R8061	C-CARBON R	RN72K1J-000JE	1	435030004R1	
R8062	C-CARBON R	RN72K1J-272JE	1	435032724R1	
R8063	C-CARBON R	RN72K1J-272JE	1	435032724R1	
R8064	C-CARBON R	RN72K1J-272JE	1	435032724R1	
R8065	C-CARBON R	RN72K1J-470JE	1	435034704R1	
R8066	C-CARBON R	RN72K1J-470JE	1	435034704R1	
R8067	C-CARBON R	RN72K1J-470JE	1	435034704R1	
R8068	C-CARBON R	RN72K1J-470JE	1	435034704R1	
R8069	C-CARBON R	RN72K1J-470JE	1	435034704R1	
R8070	C-CARBON R	RN72K1J-470JE	1	435034704R1	
R8071	C-CARBON R	RN72K1J-470JE	1	435034704R1	
R8072	C-CARBON R	RN72K1J-104JE	1	435031044R1	
R8073	C-CARBON R	RN72K1J-102JE	1	435031024R1	
R8074	C-CARBON R	RN72K1J-682JE	1	435036824R1	
R8075	C-CARBON R	RN72K1J-104JE	1	435031044R1	
R9501	METAL O R	RS1/2WBJ-22	1	443522204T	!
R9502	C-CARBON R	RN72K1J-223JE	1	435032234R1	
R9503	C-CARBON R	RN72K1J-473JE	1	435034734R1	
R9504	METAL O R	RS1/2WBJ-33	1	443523304T	
R9505	METAL O R	RS1/2WBJ-22	1	443522204T	
R9506	C-CARBON R	RN72K1J-331JE	1	435033314R1	
R9507	C-CARBON R	RN72K1J-331JE	1	435033314R1	
R9508	C-CARBON R	RN72K1J-103JE	1	435031034R1	
R9509	C-CARBON R	RN72K1J-333JE	1	435033334R1	
R9511	C-CARBON R	RN72K1J-153JE	1	435031534R1	
R9512	C-CARBON R	RN72K1J-103JE	1	435031034R1	
<b>[SW TRM]</b>					
E4002	RETAINER	(BUS-D)	1	27142272	

E4003	TRM-423(SCREW)	NEJITANSI ST3	1	25060495	
E4004	TRM-423(SCREW)	NEJITANSI ST3	1	25060495	
E4601	RETAINER	(EARTH)	1	27142227	
E7501	RETAINER	(EARTH)	1	27142227	
E9001	TRM	NTM-1P233(M1969)	1	25060302	
JL4601A	WIRE HOL	NSCT-7P878	1	25051091	
JL4601B	WIRE TRAP	NPLG-7P590	1	25055628	
JL4602A	WIRE HOL	NSCT-7P878	1	25051091	
JL4602B	WIRE HOL	NSCT-7P878	1	25051091	
P1011	PLUG	NPLG-5P133	1	25055149	
P1017	PLUG	NPLG-6P134	1	25055150	
P1018	PLUG	NPLG-2P116	1	25055132	
P1019	SOCKET	IMSA-9617S-16Y941	1	25053497R2	N
P2003A	PLUG	NPLG-5P133	1	25055149	
P2003B	SOCKET AS	NSAS-10P1730	1	2009991113UL	
P2501	PIN JACK	NPJ-1PDO585	1	25045805	
P4001	PIN JACK	NPJ-1PDW733	1	25045975	N
P4002	PIN JACK	NPJ-1PDR732	1	25045974	N
P4003	JACK	MSJ-064-11D-SR-PBT(ONA)	1	25045983	N
P4951B	PLUG	NPLG-3P131	1	25055147	
P7001A	SOCKET	HF-116009-003-000	1	25053505	
P7001B	SOCKET	HF-116009-004-000	1	25053506	
P7002A	PLUG	NPLG-3P350	1	25055367	
P7002B	SOCKET AS	NSAS-6P0451	1	2006390605UL	
P7004A	CRIMP AS	1.8S-TAMAG	1	2069355100UL	
P7503	SOCKET	C00124K221700	1	25053410	
P8001	ST JACK	SM0505-0021	1	25045857	
P8002	SOCKET	IMSA-9618S-09A	1	25053334R2	
P9501A	SOCKET AS	NSAS-26P1997	1	200C4291315UL	N
P9501B	PLUG	NPLG-13P141	1	25055157	
P9502	PLUG	NPLG-2P631	1	25055675	
P9503A	SOCKET AS	NSAS-6P2015	1	200C4190650UL	N



RL9501	RELAY	NRL-1P5A-DC9-179	1	25065669	!
S7001	PUSH SW	NPS-111-S681	1	25035718T	
S7002	PUSH SW	NPS-111-S681	1	25035718T	
S7003	PUSH SW	NPS-111-S681	1	25035718T	
S7005	PUSH SW	NPS-111-S681	1	25035718T	
S7011	PUSH SW	NPS-111-S681	1	25035718T	
S7012	PUSH SW	NPS-111-S681	1	25035718T	
S7013	PUSH SW	NPS-111-S681	1	25035718T	
S7014	PUSH SW	NPS-111-S681	1	25035718T	
S7015	PUSH SW	NPS-111-S681	1	25035718T	
S7016	PUSH SW	NPS-111-S681	1	25035718T	
<b>[TUNER UNIT]</b>					
U2501	PHT CP	JST1165-001transmitting	1	24120142	
U7001	REMO SENS	GP1UE271RKVF	1	24130016	

# ONKYO

## ONKYO SOUND & VISION CORPORATION

Technical Support, Service Department  
2-1, Nisshin-cho, Neyagawa-shi, OSAKA 572-8540, JAPAN  
Tel: 072-831-8023 Fax: 072-831-8163

## ONKYO U.S.A. CORPORATION

18 Park Way, Upper Saddle River, N.J. 07458, U.S.A.  
Tel: 800-229-1687, 201-785-2600 Fax: 201-785-2650  
<http://www.us.onkyo.com/>

## ONKYO EUROPE ELECTRONICS GmbH

Liegnitzerstrasse 6, 82194 Groebenzell, GERMANY  
Tel: +49-8142-4401-0 Fax: +49-8142-4208-213  
<http://www.eu.onkyo.com/>

## ONKYO EUROPE ELECTRONICS GmbH (UK BRANCH)

The Coach House 81A High Street, Marlow, Buckinghamshire, SL7 1AB, UK  
Tel: +44-(0)1628-473-350 Fax: +44-(0)1628-401-700

## ONKYO CHINA LIMITED

Unit 1033, 10/F, Star House, No 3, Salisbury Road, Tsim Sha Tsui Kowloon, Hong Kong.  
Tel: 852-2429-3118 Fax: 852-2428-9039  
<http://www.onkyochina.com/>

## ONKYO CHINA PRC

1301, 555 Tower, No.555 West NanJin Road, Jin an, Shanghai,  
China 200041, Tel: 86-21-52131366 Fax: 86-21-52130396  
<http://www.cn.onkyo.com/>