

# ONKYO® SERVICE MANUAL

## AUTOMATIC RETURN TURNTABLE

### Model CP-1000A



#### SPECIFICATIONS

<b>Type:</b>	2-speed automatic-return turntable with cueing lever	<b>Frequency Response:</b>	20 Hz – 20,000 Hz
<b>Turntable Platter:</b>	30 cm (11-7/8") Aluminum diecast	<b>Recommended Load Impedance:</b>	47 kohms
<b>Motor:</b>	4 pole synchronous	<b>Recommended Tracking Force:</b>	2 grams
<b>Speeds:</b>	33-1/3 rpm, 45 rpm,	<b>Output Voltage:</b>	3,5 mV
<b>Wow &amp; Flutter:</b>	0.08% WRMS	<b>Replacement Stylus:</b>	DN-51ST
<b>Signal-to-Noise Ratio:</b>	62 dB (DIN-B)	<b>Power Supply Rating:</b>	AC110 – 120, 220 – 240 V 50/60 Hz (or one voltage only)
<b>Tonearm:</b>	Static balanced straight-type pipe arm	<b>Dimensions (W x H x D):</b>	418mm x 130mm x 383mm 16-1/2" x 5-1/8" x 15"
<b>Effective Arm Length:</b>	210 mm (8-5/16")	<b>Weight:</b>	4,2 kg (9,3 lbs.)
<b>Overhang:</b>	13 mm (1/2")	<b>(Only 120V Model)</b>	
<b>Maximum Tracking Error:</b>	+4.5 degrees, –1 degree	<b>Usable Cartridge Weight:</b>	5 ~ 8,5 gr
<b>Cartridge:</b>		<b>Power Supply:</b>	120V 60Hz
<b>Type:</b>	Moving magnet OC-51M		
			Optional Recommended Headshell SH-21F

In the interest of further product improvements, specifications are subject to change without notice.

**ONKYO®**  
**AUDIO COMPONENTS**

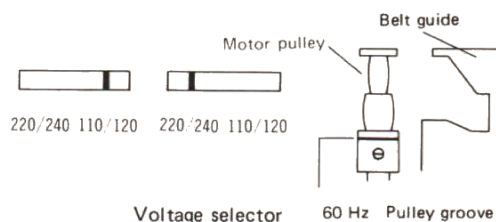
## 2. SERVICE PROCEDURES AND ADJUSTMENTS

### 1. POWER SUPPLY VOLTAGES

Before connecting the unit to an AC outlet, check whether it is set for the local AC voltage. The turntable may be set to operate at either 110 ~ 120V or 220 ~ 240V. The voltage selector is under the turntable. In almost all cases, the frequency is preset to 50 Hz.

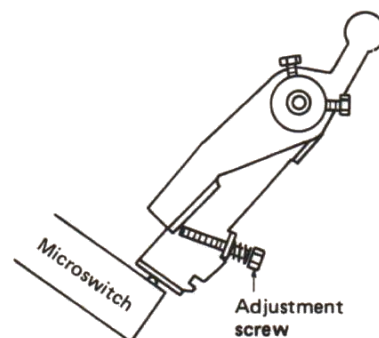
### 2. CHANGES IN FREQUENCY

In order to comply with a frequency of 60 Hz, replace the motor pulley with the extra one included in the accessories. Use a small-size standard screwdriver. During this operation, set the speed selector to the 33 rpm position and be sure that the top surfaces of the pulley and belt guide are even as shown in the diagram of right side.



### 3. AUTOMATIC SHUT-OFF POSITION ADJUSTMENT

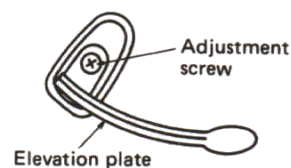
Adjust the shut-off position with the fine adjustment screw. After fine adjustment, apply lock-tite to the screw. To adjust the shut-off position for earlier, turn the screw counter-clockwise. To adjust the shut-off position for later, turn the screw clockwise.



### 4. ELEVATION PLATE ADJUSTMENT

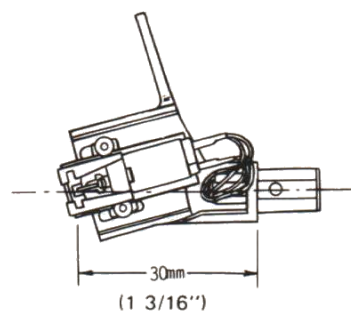
Adjust the elevation plate height with the screw. (See fig-4) To adjust the height for higher, turn the screw counter-clockwise.

To adjust the height for lower, turn the screw clockwise.

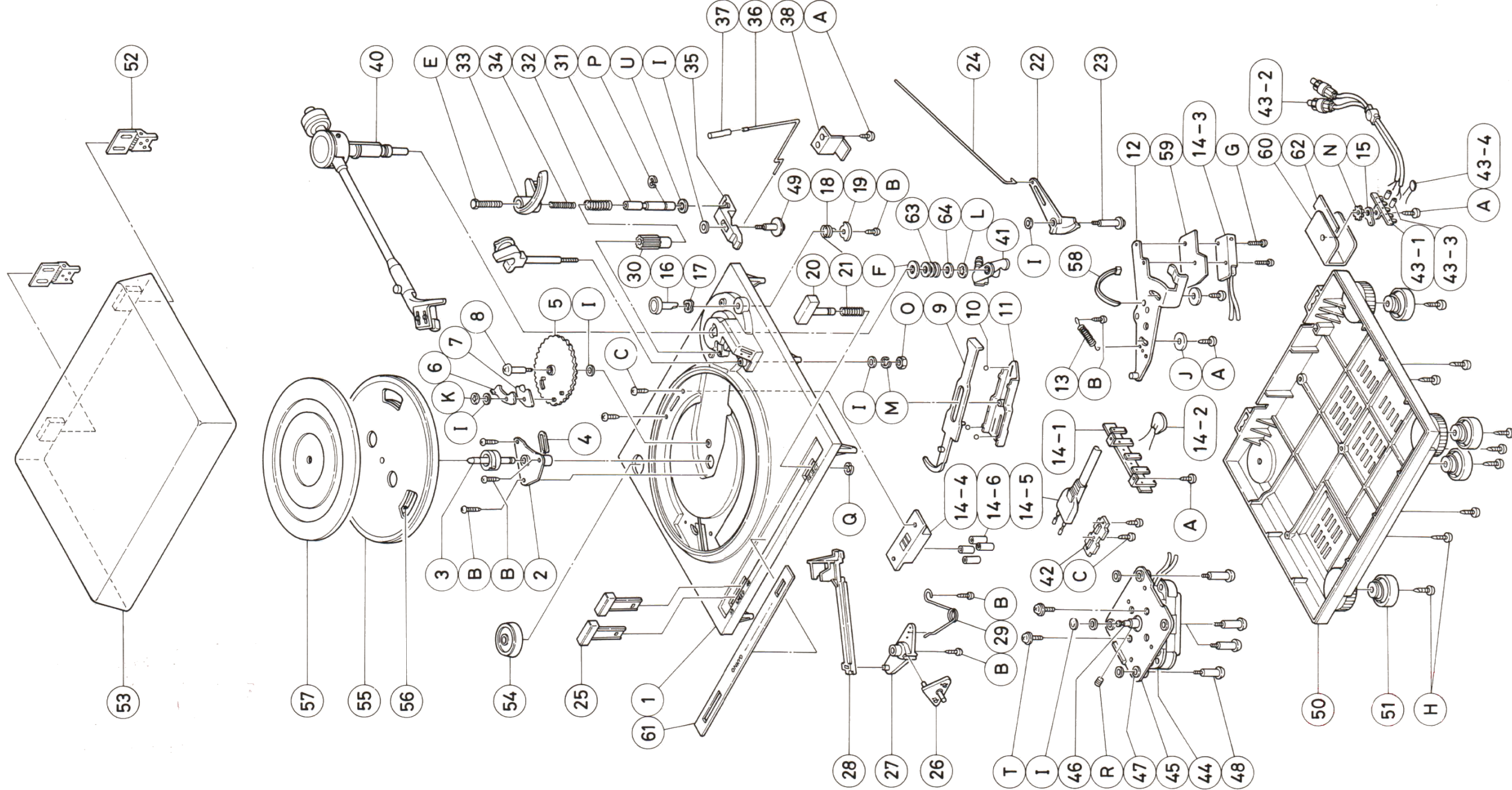


### 5. OVERHANG ADJUSTMENT

Adjust so the distance between the stylus tip and the base of the headshell is 30 mm (1-3/16") and tighten the screws. This assures the effective length and overhang of the tonearm are correct.



**EXPLODED VIEW**

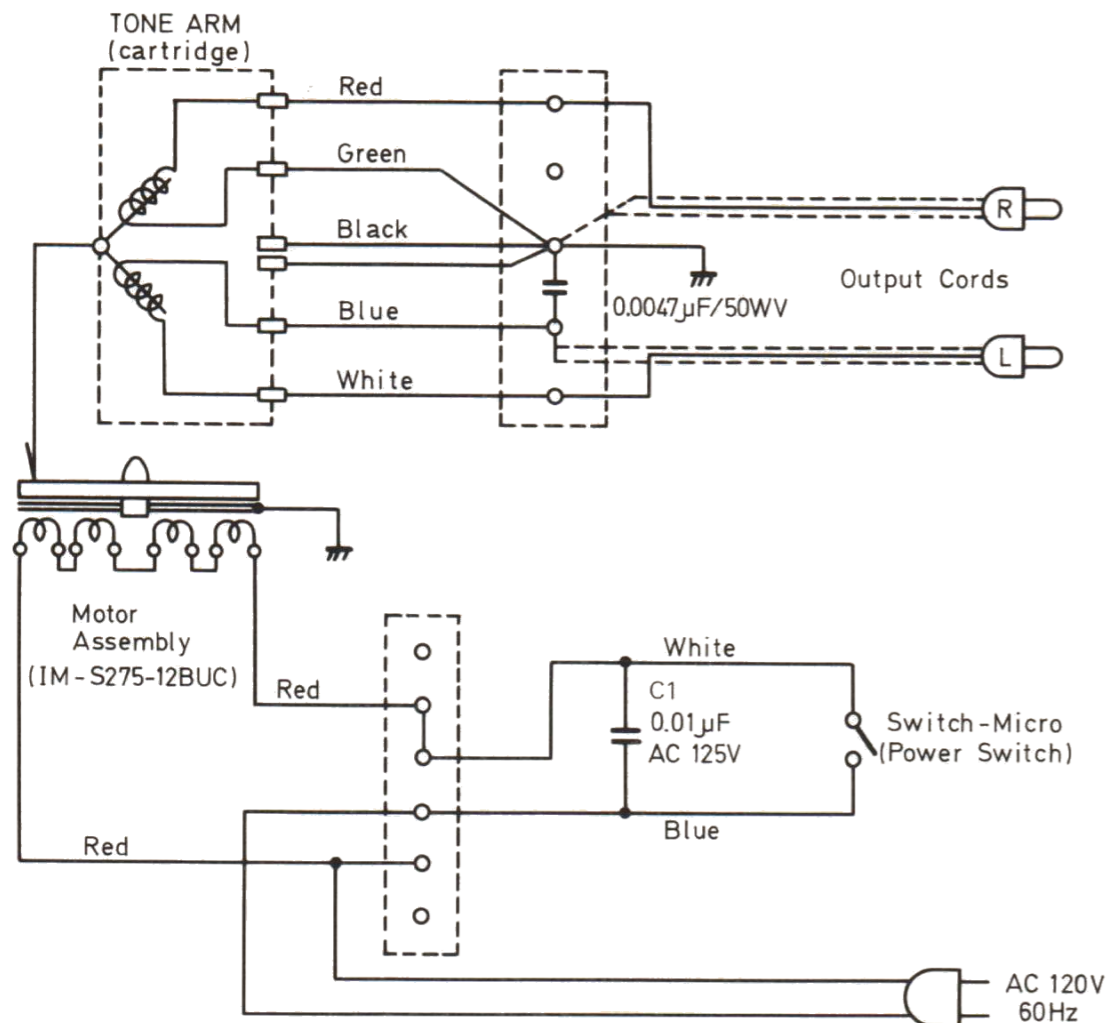


REF. NO.	PARTS NO.	DESCRIPTION
1	24509245	Cabinet ass'y (including 61)
2	24500204	Bearing, turntable shaft
3	24500199	Shaft, turntable
4	24500781	Stopper
5	24503032	Gear ass'y, return
6	24506116	Plate, clutch
7	24506117	Guide, clutch
8	24506537	Screw
9	24506221	Actuating slide
10	270555	4 $\phi$ , Steelball
11	24506222	Base, actuating slide
12	24506220	Operation plate
13	24503109	Spring
14	24503110	Switch ass'y (D)
	24503114	Switch ass'y (U)
	24503115	Switch ass'y (G)
14-1	24506540	Terminal (D)
	24506371	Terminal (G/U)
14-2	35000660	0.01 $\mu$ F, 1.25V, CS capacitor (D)
	35000665	0.01 $\mu$ F, 400V, IS capacitor (U/G)
14-3	24503023	Microswitch
14-4	24505076	Power supply cord (D)
	24505068	Power supply cord (G/U)
	245065138	NSS-2264P, Voltage selector switch (U)
15	223004	Terminal, ground
16	24504312	Knob, IFC
17	24506243	Washer
18	24503111	Spring, IFC
19	24504271	Cam, IFC
20	24504314	Button, reject
21	24503011	Spring, button
22	24504266	Lever, reject
23	24506538	Special screw
24	24503112	Spring, reject
25	24504315	Knob, speed selector
26	24504316	Arm, speed selector
27	24504317	Cam, speed selector
28	24504318	Guide, belt
29	24503113	Spring
30	24504319	Base, elevation
31	24504320	Shaft, elevation
32	24500774	Spring, elevation
33	24504321	Plate, elevation
34	24503070	Spring
35	24504322	Arm, cueing
36	24504323	Lever, cueing
37	24506399	Knob, lifter lever
38	24506279	Plate, cam
39	24501376	Arm rest
40	24501378	Tonearm ass'y
	24501321	Screw, tonearm
	24501379	Counter weight
	24501354	Headshell
	24501346	OC-51M, Cartridge (U/G)
	24501308	DN-51ST, Stylus (U/G)
	24501283	Cover, stylus (U/G)
	24501287	M2.6 x 18, Screw (U/G)
	24501123	M2.6 x 4, Nut (U/G)
	24500079	Washer
	24506544	Base, tonearm
41	24506517	Holder, cord
42	24505066	Output cable ass'y
43-1	24506151	Terminal
43-2	24500486	Output cable
43-3	24505012	Tube
43-4	3315214727	0.0047 $\mu$ F, Capacitor, ceramic
44	24502127	Motor ass'y (44, 45) (D)
	24502129	Motor ass'y (44, 45) (U)
	24502128	Motor ass'y (44, 45) (G)
45	24506218-1	Plate, motor
46	24502024	Pulley, 60Hz (D)
	24502023	Pulley, 50Hz (G/U)
47	24501026	Cushion, motor
48	24506539	Screw
49	24509179	Screw
50	24509242	Bottom board
51	24509232	Leg
52	24509238	Hinge
53	24509237	Dust cover
54	292049A	45 adaptor
55	24502126	Turntable platter
56	242129B	Belt
57	24509111-1	Turntable mat
58	260208	Binder
59	24505064	Sheet, insulator (U/G)
60	24506208A	Plate, shielded
61	24504311	Plate
	261021	Tape
62	24509243	Washer
63	24509243-1	Washer
64	833130088	3TTP+8B, Tapping screw
A	833130082	3STW+8BQ, Tapping screw
B	831130122	3STW+12BQ, Tapping screw
C	82143014	FM+3 x 14, Pan head screw
E	24506546	10 $\phi$ x 22 $\phi$ x 0.6 $\phi$ , Washer (D)
F	82142614	2.6P+14FN, Pan head screw (D)
G	24506229	2.6P x 15, Screw (G/U)
H	833140142	4STP+14BQ, Tapping screw
I	87613008	W3 x 8FN, Washer
J	24506487	W3 x 12FN, Washer
K	891030	CS-3, CS clip
L	891100	CS-10, CS clip
M	871130	SW3, Washer with spring
N	87313008	TOW-3, Toothed washer
O	863130	N-3F-N, Nut
P	893030	E-3, Circlip
Q	893032	E3-2, Circlip
R	2450202	T-2.6 x 2, Screw for pulley
T	801105	8W3P+6FN, Screw
U	24506541	Washer

NOTE: (D): Only 120V model  
 (U): Only 120/220V model  
 (G): Only 220V model

CONNECTION DIAGRAM

120V model

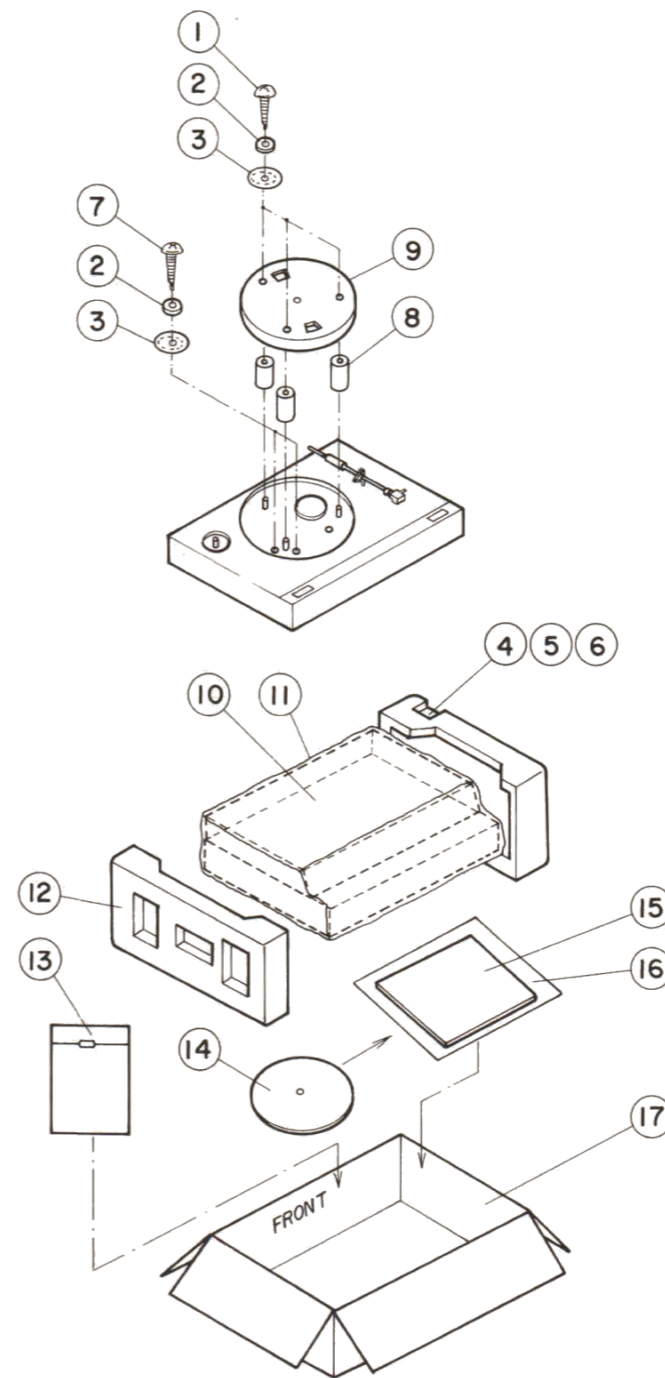


Motor assembly  
 U: IM-S275-12D15  
 G: IM-S275-12C15

C1  
 U: 0.01µF AC 400V  
 G: Same as above

NOTE  
 U: 120/220V model  
 G: 220V model

PACKING PROCEDURES



REF. NO.	PARTS NO.	DESCRIPTION
1	24509147	FMT+4 x 30mm, Screw
2	87714012	FW4φ x 12φ x 0.8 <sup>t</sup> , Washer
3	24500464	Caution card
4	260012	Tape
5	24501379	Counter weight
6	29100002	70 x 100mm, Poly bag for counter weight
7	24506113	Screw for motor lock
8	24509149A	Spacer
9	24502126	Turntable platter
10	29095012-1	800 x 500mm, Protection sheet
11	29100050	Protection bag
12	24509236	Pad
	24509236-1	Pad (CP1000AKL)
13	29100005	330 x 220mm, Poly bag
	29340480	Instruction manual (D)
	29340481	Instruction manual (U)
	29365006	Warranty card (N)
	29365005-2	Warranty card (V)
	24509197	Overhang gauge
	292049A	45 rpm adaptor
	24501330	Screw ass'y, cartridge mounting (D)
	25055018	CV-K-1, Conversion plug (U)
	24502024	Pulley, 60Hz
14	24509111-1	T.T mat
15	24509148	Pad sheet
16	29100049	370 x 470mm, Poly bag
17	29050420	Master carton box

NOTE: D: Only 120V model  
 U: Only 120/220V model  
 N: Only U.S.A. model  
 V: Only West Germany model

ONKYO CORPORATION

International Division : No. 24 Mori Bldg., 23-5, 3-chome, Nishi-Shinbashi, Minato-ku, Tokyo, Japan  
 Telex : 2423551 ONKYO J. Phone : 03-432-6981

ONKYO U.S.A. CORPORATION

Eastern Office  
 42-07 20th Avenue, Long Island City, New York 11105, U.S.A. Phone : (212) 728-4639

Midwest Office  
 935 Sivert Drive, Wooddale, Illinois 60191, U.S.A. Phone : (312) 595-2970

C/O Damark Industries Inc.  
 20520 Nordhoff Chatsworth, Cal. 91311, U.S.A. Phone : (213) 998-6501

ONKYO DEUTSCHLAND GMBH, ELECTRONICS

8034 München-Germering, Industriestrasse 18, West Germany. Telex : 521726 Telefon : (089)-845-5041