

ONKYO SERVICE MANUAL

AUTOMATIC RETURN TURNTABLE Model CP-1007A



UDN, UDC, UD	120V AC, 60Hz
UGV, UG	220V AC, 50Hz
UW	120 or 220V AC, 50/60Hz
UQA, UQB	240V AC, 50Hz

SAFETY-RELATED COMPONENT WARNING!!

COMPONENTS IDENTIFIED BY MARK \triangle ON THE SCHEMATIC DIAGRAM AND IN THE PARTS LIST ARE CRITICAL FOR RISK OF FIRE AND ELECTRIC SHOCK. REPLACE THESE COMPONENTS WITH ONKYO PARTS WHOSE PARTS NUMBERS APPEAR AS SHOWN IN THIS MANUAL.

MAKE LEAKAGE-CURRENT OR RESISTANCE MEASUREMENTS TO DETERMINE THAT EXPOSED PARTS ARE ACCEPTABLY INSULATED FROM THE SUPPLY CIRCUIT BEFORE RETURNING THE APPLIANCE TO THE CUSTOMER.

SPECIFICATIONS

Type:	2-speed automatic-return turntable with cueing lever
Turntable Platter:	31 cm (12-1/4") Aluminum diecast
Motor:	4 pole synchronous
Speeds:	33-1/3 rpm, 45 rpm
Wow & Flutter:	0.045% WRMS
Signal-to-Noise Ratio:	66 dB (IEC-Y, DIN-B)
Tonearm:	Static balanced straight-type pipe arm
Effective Arm Length:	210 mm (8-5/16")
Overhang:	13 mm (1/2")
Maximum Tracking Error:	+4.5 degrees, -1 degree
Usable Cartridge Weight:	Min. 5.0 g, Max. 9.0 g
Power Supply:	AC 120V, 60 Hz
Dimensions (W x H x D):	418mm x 132mm x 374mm 16-1/2" x 5-1/6" x 14-6/8"
Weight:	4.1 kg (9 lbs.)

Optional Recommended Headshell: SH-21F

In the interest of further product improvements, specifications are subject to change without notice.

ONKYO
AUDIO COMPONENTS

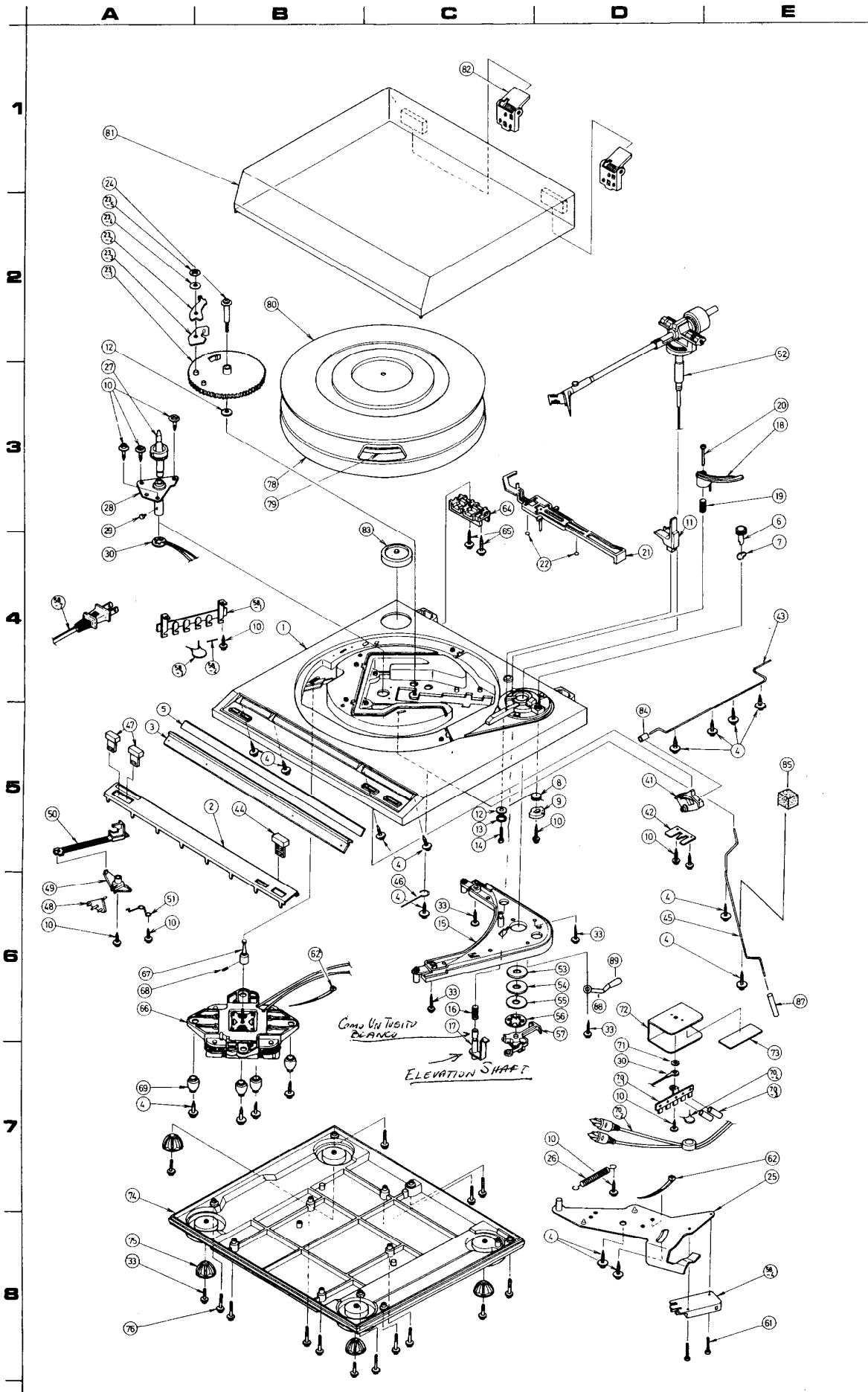
PARTS LIST

PLACE	REF. NO.	PARTS NO.	DESCRIPTION	PLACE	REF. NO.	PARTS NO.	DESCRIPTION	PLACE	REF. NO.	PARTS NO.	DESCRIPTION
B4	1	28110329	Cabinet board	D5	33	831430100	3TTW+10P (BC), Tapping screw	B4	58-1	24506371	Terminal
B5	2	28110330	Cabinet board (B)	D5	41	24504401	Cueing lever	B4	58-2		Lead wire
A5	3	28133135	Operation plate	D5	42	24603306	Cueing lever (B)	△ B4	58-3	3500065A	0.01µF, AC400V/125V Capacitor IS
		28133137	Operation plate (B)	E4	43	24504402	Holder for 41	△ E8	58-4	24503023	Microswitch
		24509292	Cover	B5	44	24504403	Cueing rod		58-5	25065138	Voltage selector switch (U)
		24509292-1	Cover (B)	B5	44	24504404	Cueing rod	△ A4	58-6		Tube (U)
A5	4	801295	3TWT+8B, Tapping screw	D6	45	28322097	Reject button (B)		58-7	253099A or	Power supply cable (D)
E3	5	28133136	Plate	D6	45	24503135	Reject button (B)			24505076	Power supply cable (G/U)
E4	6	24504399	IFC knob ass'y	C6	46	24503136	Reject spring			253083 or	Power supply cable (G/U)
D5	7	24506243	Wave washer	A5	47	24504405	Speed button			24505068	Insulator sheet (G/U)
D5	8	24503131	IFC spring	A6	48	28322098	Speed button (B)			24505064	Tube (G/U)
D5	9	24504271	IFC cam	A6	48	24504316	Change arm	E8	61	24509305	2.6P+14FN (BC), Pan head screw (D)
D3	10	831430088	3TTW+8B (BC), Tapping screw	A6	49	24504406	Change cam			82142614	2.6P+16FN (BC), Pan head screw (G/U)
C5	11	24509294	Tonearm rest	A5	50	24509299	Belt guide			82142618	Binder
C5	12	87613008	W3x8FN, Flat washer	A6	51	24503113	Spring	A4, B6	62		
C5	13	871430	SW-3 Spring washer	E2	52	24501528	Tonearm ass'y	C3	64	24506517	Holder
C5	14	834430208	3TTS+20 (BC), Tapping screw			24501321A	Attachment screw	C4	65	834430168	3TTS+16B (BC), Tapping screw
C6	15	24509295	Sub-base			24501471	Weight ass'y	C4	66	24502160	1M-S275-8BUCF-11, Motor ass'y (D)
C6	16	24503011-1	Spring, button			24501354	Headshell	△ A6		24502161	1M-S275-8CF-11, Motor ass'y (G)
C6	17	24506660	Elevation shaft			24501330	Cartridge attachment screw ass'y (D)			24502162	1M-S275-8DF-11, Motor ass'y (U)
E3	18	24504321	Elevation plate			24501123	Nut	A6	67	24502024	Motor pulley, 60Hz (D)
E3	19	24503070	Spring			24500079	Washer			24502024	Motor pulley, 50Hz (G/U)
D4	20	82143012	3P+12FN (BC), Pan head screw			24500067	2.6x10mm, screw (G/U)	A6	68		2.6x2mm, screw
D4	21	24506661	Actuating arm			24591123	Nut	A6	69	24509302	Motor cushion
D4	22	270555	4mm, Steelball			24500079	Washer	A7	70	24505066	Terminal ass'y
A2	23	24506662	Return gear ass'y			245965	Washer	D7	70-1	24506151	Terminal
A2	23-1	24503032	Return gear			242966	OC-65V, Cartridge	D7	70-2	24500486	Output cable
A2	23-2	24506663	Clutch plate			24506546	DN-65ST, Stylus	E7	70-3	24505012	3x14, Tube
A2	23-3	24506664	Clutch guide	D6	53	24509300	FW10x22x0.6mm, Flat washer	E7	70-4	335124724	0.0047µF, 50V, Ceramic capacitor
A2	23-4	87613008	W3x8FN, Flat washer	D6	54	24509300	Rubber washer	D7	71	87313008	TOW-3, Toothed washer
A2	23-5	891030	CS-3, CS ring	D6	55	24509243-1	Rubber washer	D6	72	24506208A	Shielded plate
A1	24	24506537	Attachment screw	D6	56	891100	CS-10, CS ring	E7	73	261021	Tape UL
E7	25	24506220	Operation plate (D)	△ D6	57	24509301	Arm base ass'y	A7	74	27170161	Bottom board
D7	26	24506665	Operation plate (G/W)			24504396	Switch ass'y (D)	A8	75	27275043	Leg
A3	27	24502163	T.T shaft			24504397	Switch ass'y (G)	A8	76	834430168	3TTS+16B (BC), Tapping screw
A3	28	24502164	T.T bearing			24504398	Switch ass'y (U)	B3	78	24502158	Turntable platter
A4	29	24502165	Stopper pin					B3	78	24502158	Turntable platter
A4, D7	30	24505153	Ground wire (D)					B3	79	242129B	Belt
		24505151	Ground wire (G/U)					B2	80	24509323	T.T sheet
								A1	81	24509320	Dust cover ass'y
								C1	82	28180078	Hinge
								C4	83	28180079	Hinge (B)
								D5	84	292049A	45 rpm adaptor
								D5	84	79027	Tube
								E5	85	79027	Cushion
								E6	87	79027	Tube
								D6	88	79027	Terminal
								D6	89	79027	Tube

Note: (D) : Only 120V model
 (G) : Only 220/240V model
 (U) : Only Universal model
 (B) : Only black model

NOTE: THE COMPONENTS IDENTIFIED BY MARK △ ARE CRITICAL FOR LIK OF FIRE AND ELECTRIC SHOCK. REPLACE ONLY WITH PARTS NUMBER SPECIFIED.

EXPLODED VIEW



SERVICE PROCEDURES

Instruction resistance measurement

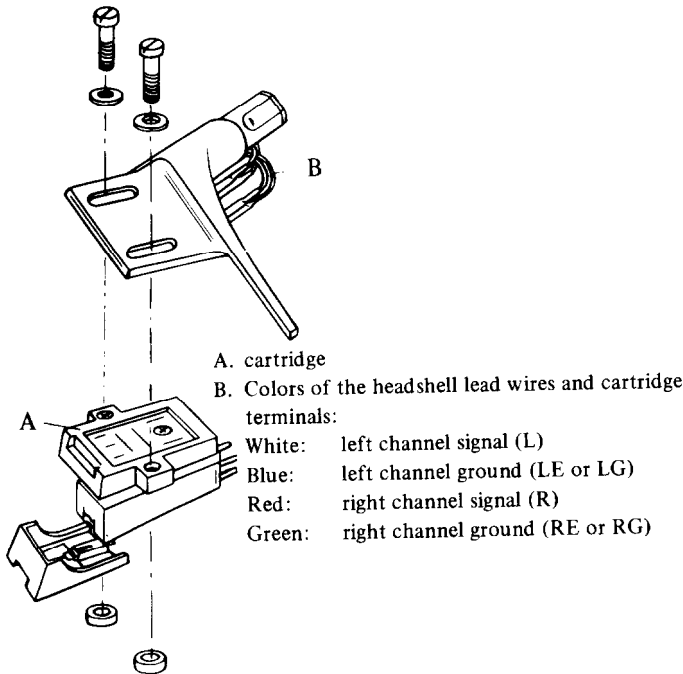
Connect the insulating-resistance tester between the plug of power supply cord and chassis.

Specifications: G/W models 500 V more than 10 MΩ

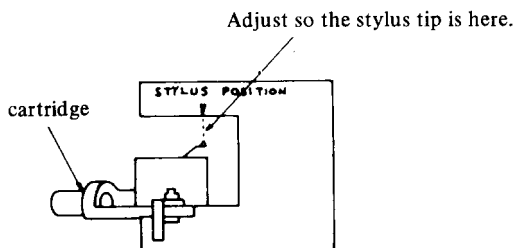
Attaching the cartridge

Please use the included headshell when attaching the cartridge. The headshell is designed for almost all cartridges on the market today; be careful not to buy a cartridge that is not compatible. In general, cartridges with a mass of 5 – 9 grams should be employed.

Attach the cartridge as shown below, connecting each of the color coded lead wires to the proper terminal. If a mistake is made, no sound will be heard or stereo reproduction will be lost. Also, to prevent damage to the stylus during installation operations, leave its cover on or remove the stylus completely.



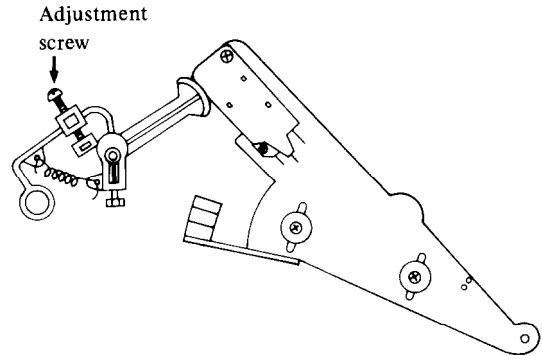
Use the included overhand gauge as shown below, placing the cartridge in the gauge and setting the location of the stylus tip as indicated.



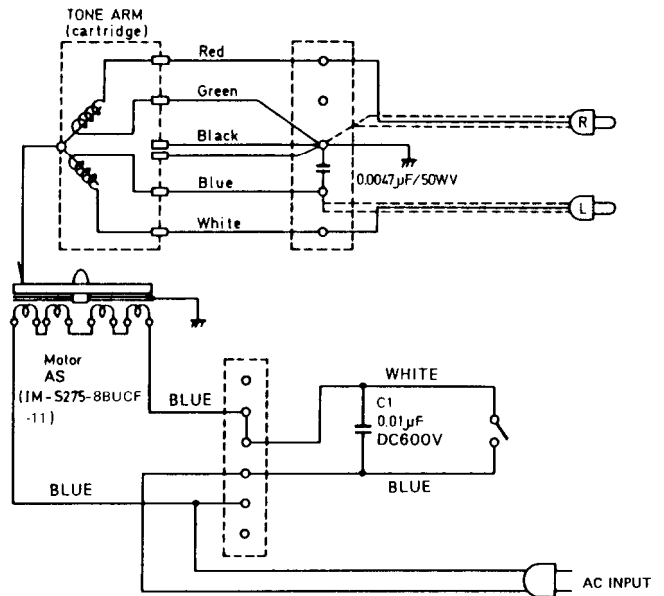
ADJUSTMENT PROCEDURES

Automatic shut-off position adjustment

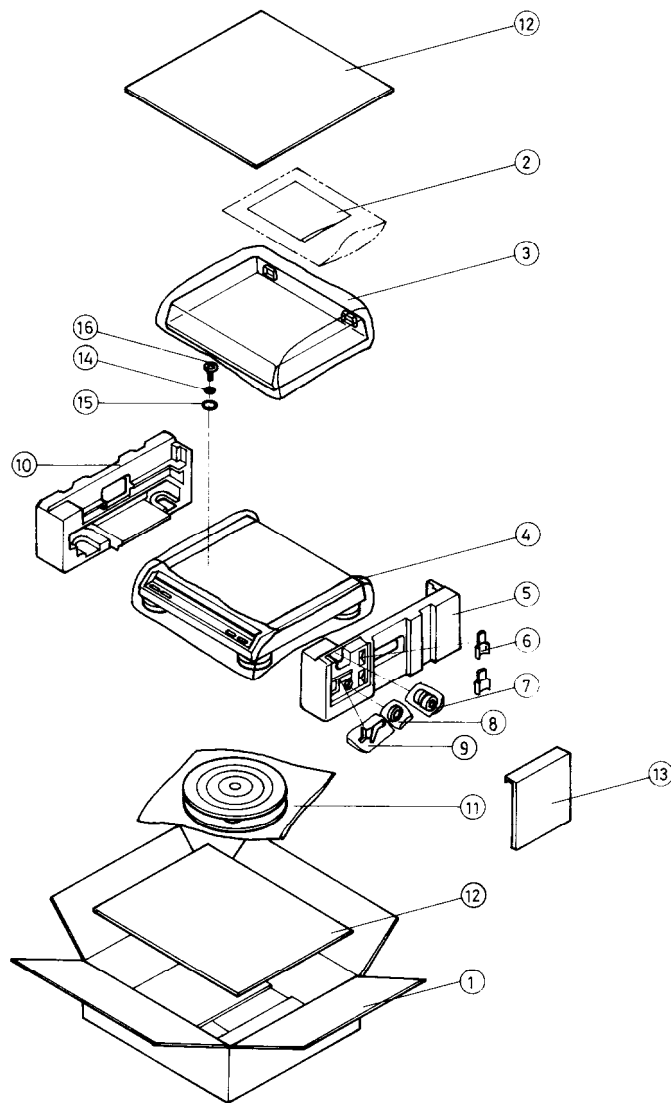
Adjust the shut-off position with the fine adjustment screw. After the adjustment, apply lock-tite to the screw. To adjust the shut-off position for earlier, turn the screw counter-clockwise. To adjust the shut-off position for later, turn the screw clockwise.



CONNECTION DIAGRAM



PACKING VIEW



REF. NO.	PART NO.	DESCRIPTION
1	29051083	Master carton box (Black Model)
	29051082	Master carton box (Silver Model)
2		Accessory bag complete
	120V model	
	29340856	Instruction manual
	24509197	Overhang gauge
	29365006-7	Warranty card (Only USA model)
	29358002C	Service station list (Only USA model)
	29100005	220x330mm, Poly-vinyl bag
	220V model	
	29340857	Instruction manual
	29365016	Warranty card (Only West Germany model)
	29100005	220x330mm, Poly-vinyl bag
	Universal model	
	29340857	Instruction manual
	24502024	Pulley, 60Hz
	25055040	Conversion plug
	29100005	220x330mm, Poly-vinyl bag
3	24509320	Dust cover
	29100050	Protection sheet
4	29095012-1	500x800mm, Protection sheet
5	29090822R	Pad R.
6	28180078	Hinge
7	24501471	Counter weight
8	292049A	45 rpm adaptor
9	24501330	Cartridge attachment screw ass'y (Only 120V model)
	24501354	Headshell (Only 120V model)
	29100002	Cartridge ass'y (Other models) 70x120mm, Poly-vinyl bag for 7, 8 and 9
10	29090822L	Pad L
11	24502158	Turntable platter
	24509323	T.T mat
	29100049	350x500mm, Poly-vinyl bag
12	29095369	Pad sheet (UP)
	29095367	Pad sheet (Bottom)
13		Pad sheet
14	87714012	4.3x12x0.8mm, Washer
15	24500464	Caution card
16	24509303	Motor lock screw
	29095298	60x70mm, Poly-vinyl sheet for arm rest

ONKYO CORPORATION

International Division: No. 24 Mori Bldg., 23-5, 3-chome, Nishi-Shinbashi, Minato-ku, Tokyo, Japan
 Telex: 2423551 ONKYO J. Phone: 03-432-6981

ONKYO U.S.A. CORPORATION

200 Williams Drive, Ramsey, N.J. 07446 Tel. 201-825-7950

ONKYO DEUTSCHLAND GMBH, ELECTRONICS

8034 München-Germering, Industriestrasse 18, West Germany. Telex: 089 8493226 Telefon: (089) 84 9320