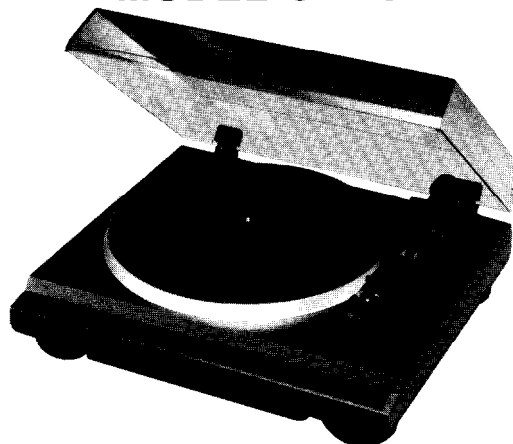



ONKYO SERVICE MANUAL

AUTOMATIC RETURN TURNTABLE MODEL CP-101A



| | |
|--------------|-------------------------|
| UDN, UDC, UD | 120V AC, 60Hz |
| UPV, UP | 230V AC, 50Hz |
| UW | 120 or 220V AC, 50/60Hz |
| UQA | 240V AC, 50Hz |

SAFETY-RELATED COMPONENT WARNING!!

COMPONENTS IDENTIFIED BY MARK  ON THE SCHEMATIC DIAGRAM AND IN THE PARTS LIST ARE CRITICAL FOR RISK OF FIRE AND ELECTRIC SHOCK. REPLACE THESE COMPONENTS WITH ONKYO PARTS WHOSE PARTS NUMBERS APPEAR AS SHOWN IN THIS MANUAL.

MAKE LEAKAGE-CURRENT OR RESISTANCE MEASUREMENTS TO DETERMINE THAT EXPOSED PARTS ARE ACCEPTABLY INSULATED FROM THE SUPPLY CIRCUIT BEFORE RETURNING THE APPLIANCE TO THE CUSTOMER.

SPECIFICATIONS

| | |
|-----------------------------|--|
| Type: | 2-speed automatic-return turntable with cueing lever |
| Turntable Platter: | 31 cm (12-1/4") Aluminum diecast |
| Motor: | DC servo motor |
| Speeds: | 33-1/3 rpm, 45 rpm |
| Wow & Flutter: | 0.045% WRMS |
| Signal-to-Noise Ratio: | 66 dB (IEC-Y, DIN-B) |
| Tonearm: | Static balanced straight-type pipe arm |
| Effective Arm Length: | 210mm (8-5/16") |
| Overhang: | 13mm (1/2") |
| Maximum Tracking Error: | +4.5 degrees, -1 degree |
| Cartridge: | |
| Type: | Moving magnet OC-74M |
| Frequency Response: | 20Hz - 20,000Hz |
| Recommended Load Impedance: | 47 kohms |
| Recommended Tracking Force: | 2 grams |
| Output Voltage: | 2.5mV |
| Replacement Stylus: | DN-74ST |
| Power Supply Rating: | AC120V, 50/60Hz |
| Dimensions (WxHxD): | 418mmx132mmx374mm 16-1/2"x5-1/6"x14-3/4" |
| Weight: | 3,7kg (8,2lbs.) |

Optional Recommended Headshell: SH-21F

In the interest of further product improvements, specifications are subject to change without notice.

ONKYO AUDIO COMPONENTS

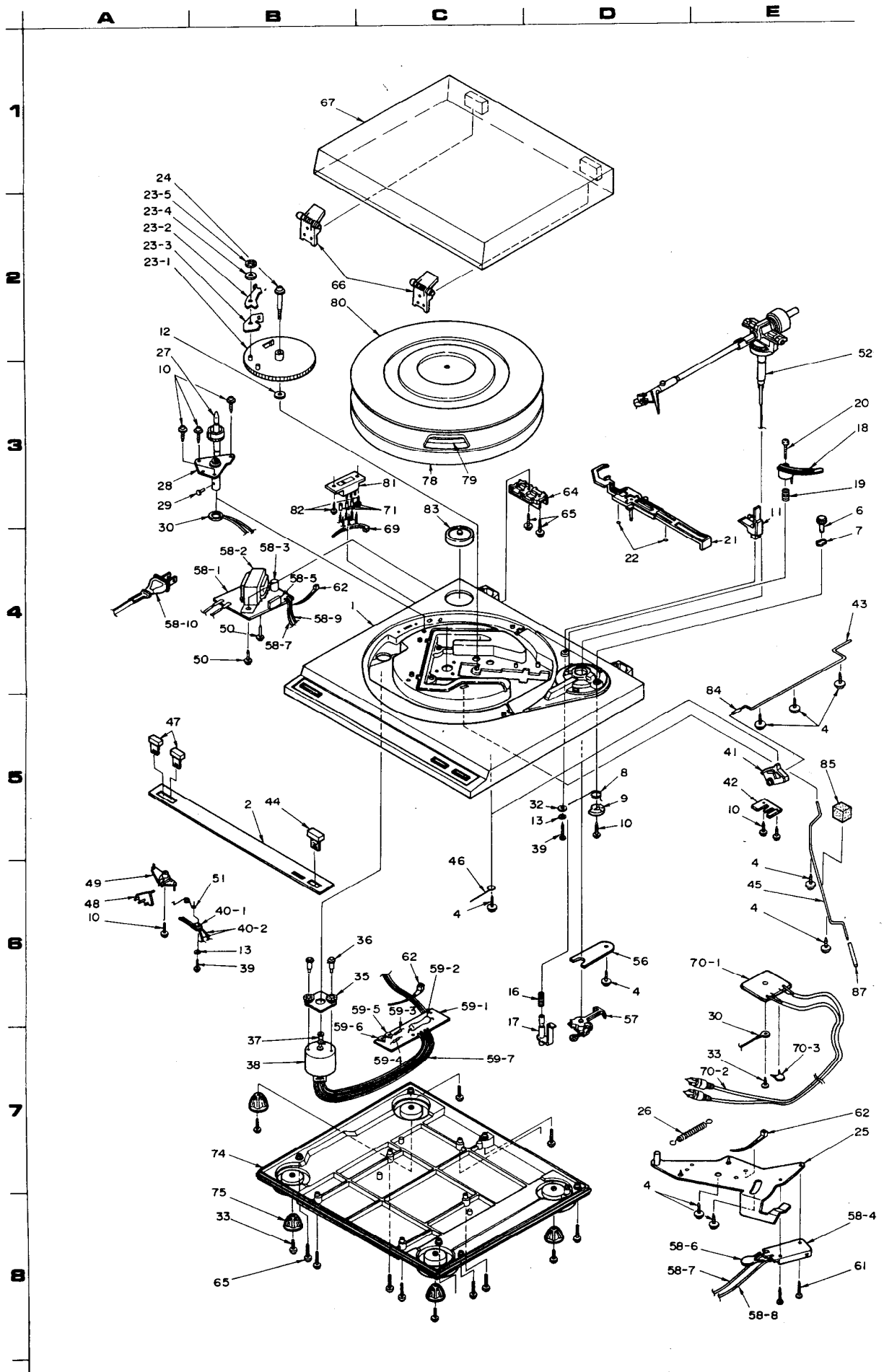
PARTS LIST

| REF. NO. | PART NO. | DESCRIPTION | | | |
|----------|------------|----------------------------|------|-------------|------------------------------|
| 1 | 28110634 | CABINET (BLACK) | 46 | 24503136 | SPRING (BUTTON) |
| | 28110635 | CABINET (SILVER) | 47 | 28322098 | BUTTON (SP) |
| 2 | 27262550 | PLATE | 48 | 24504316 | SPEED SELECTOR ARM |
| 4 | 801295 | TAPPING SCREW 3STW+8B | 49 | 24504417 | CAM |
| 6 | 24501571 | KNOB AS (I.F.C.) | 50 | 831130128 | TAP-TIGHT SCREW 3TTW+12B |
| 7 | 24506243 | WAVE WASHER | 51 | 24503113 | SPRING |
| 8 | 24503131 | SPRING (I.F.C.) | 52 | 24501528 | PU ARM |
| 9 | 24504271 | I.F.C. CAM | 52-1 | 24501321A | SCREW |
| 10 | 831430088 | TAP-TIGHT SCREW 3TTW+8BBC | 52-2 | 24501471 | COUNTER WEIGHT |
| 11 | 24509294 | ARM REST AS | 52-3 | 24501354 | HEAD SHELL |
| 12 | 87613008 | WASHER W3x8FN | 52-4 | 242983 | OC-74M (G/U) |
| 13 | 871430 | SPRING WASHER SW-3 BC | 52-5 | 242984 | DN-74ST (G/U) |
| 16 | 24503166 | SPRING (EV) | 56 | 24506787 | PLATE (PU) |
| 17 | 24506660-1 | SHAFT (EL) | 57 | 24509301 | ACTUATING ARM AS |
| 18 | 24504321 | ELEVATION PLATE | 58 | 24502244-5 | P.C.B. AS (POWER SUPPLY) (D) |
| 19 | 24503144 | SPRING | 58-2 | 24502244-6 | P.C.B. AS (POWER SUPPLY) (G) |
| 20 | 24505211 | COSMETIC SCREW CT2.6+14 | | 24502244-2A | P.C.B. AS (POWER SUPPLY) (U) |
| 21 | 24506661 | ACTUATING ARM | | 24502244-4 | P.C.B. AS (POWER SUPPLY) (Q) |
| 22 | 270555 | STEEL BALL | | 2300176 | NPT-948D (D) |
| 23 | 24506662 | MAIN GEAR AS 2 | | 2300793 | NPT-948P (G) |
| 23-1 | 24503032 | MAIN GEAR AS | | 2300208 | NPT-948BP (U) |
| 23-2 | 24506663 | CLUTCH | | 2300207 | NPT-948Q |
| 23-3 | 24506664 | WASHER W3x8F | | 354754719 | 470µF 25V |
| 23-4 | 87613008 | STOP RING CS-3 | | 24503023 | MICRO SWITCH |
| 23-5 | 891030 | SCREW | | 22380011 | SQVB10 |
| 24 | 24506537 | ACTUATING PLATE AS | | 335624730 | 0.047µF 50V |
| 25 | 24506220 | SPRING (OPE) | | 253142A | AC CORD (D) |
| 26 | 24503146 | PLATTER SHAFT | | 253149 | AC CORD (G/U) |
| 27 | 24502163 | PLATTER SHAFT BEARING | | 24502207-1 | P.C.B. AS (MOTOR) |
| 28 | 24502164 | PIN | | 5215044 | NO8HR5KBC |
| 29 | 24502165 | LEAD AS (GND) | | 5215046 | NO8HR50KBC |
| 30 | 24505179-1 | WASHER FW3.2x6x5 | | 82142614 | PAN-HEAD SCREW 2.6P+14FN |
| 32 | 87613006 | MOTOR AS | | 260208 | SK BINDER |
| 33 | 831130108 | TAP-TIGHT SCREW 3TTW+10B | | 24506517 | CORD HOLDER |
| 35 | 24502247 | CUSHION (MOTOR) | | 831430168 | TAP-TIGHT SCREW 3TTW+16B |
| 36 | 24506788 | SCREW M2.6x6x8 | | 28180080 | HINGE (BLACK) |
| 37 | 24502191 | MOTOR PULLEY | | 24509320 | DUST COVER |
| 38 | 24502242 | TAP-TIGHT SCREW 3TTTS+12BB | | 24502245 | P.C.B. AS (PHONO) (D) |
| 39 | 834430128 | LEAF SWITCH AS | | 24502248 | P.C.B. AS (PHONO) (G/U) |
| 40-1 | 24504427 | LEAF SWITCH | | 24505253 | SHIELD WIRE AS (D) |
| 41 | 24603306 | CUEING LEVER | | 24505254 | SHIELD WIRE AS (G/U) |
| 42 | 24504402 | HOLDER (LEVER) | | 27170161A | BOTTOM BOARD |
| 43 | 24504416 | QUE ROD | | 27175043 | LEG |
| 44 | 28322097 | BUTTON (REJ) | | 24502158 | PLATTER |
| 45 | 24503135 | SPRING (REJ) | | 242129B | DRIVER BELT |
| | | | | 24509323 | PLATTER MAT (D) |
| | | | | 24509378 | PLATTER MAT (G/U) |
| | | | | 25065287 | SDKGA4 SWITCH (U) |
| | | | | 831430108 | 3TTW+10B(BC) SCREW (U) |
| | | | | 292093 | 45 RPM ADAPTER |
| | | | | 75230 | 1.6φ TUBE |
| | | | | 24509373 | CUSHION |
| | | | | 79003 | 1.7φx28 TUBE |

NOTE: [D]: Only 120V model
 [G]: Only 230V model
 [U]: Only World model
 [Q]: Only 240V model

NOTE: THE COMPONENT IDENTIFIED BY MARK **△** ARE CRITICAL FOR RISK OF FIRE AND ELECTRIC SHOCK. REPLACE ONLY WITH PARTS NUMBER SPECIFIED.

EXPLODED VIEW



SERVICE PROCEDURES

Instruction resistance measurement

Connect the insulating-resistance tester between the plug of power supply cord and chassis.

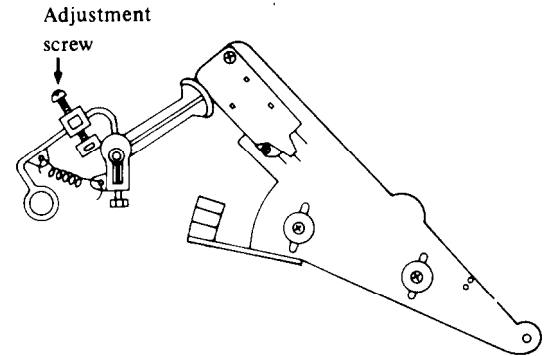
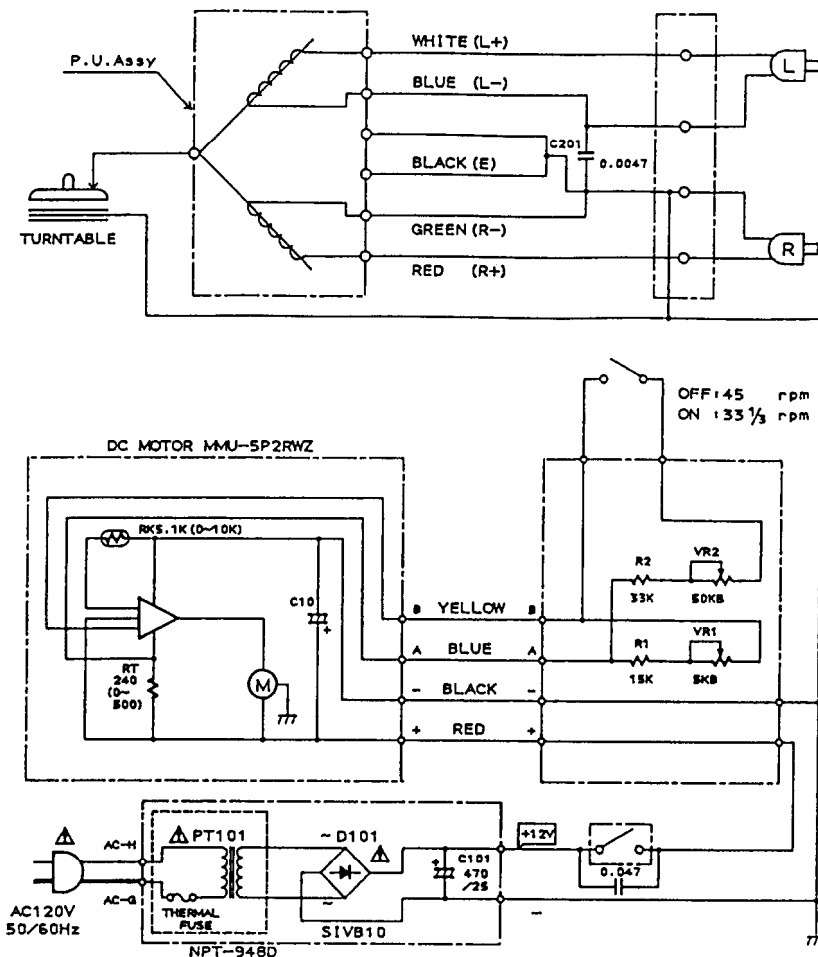
Specifications: G/W models 500 V more than 10 MΩ

ADJUSTMENT PROCEDURES

Automatic shut-off position adjustment

Adjust the shut-off position with the fine adjustment screw. After the adjustment, apply lock-tite to the screw. To adjust the shut-off position for earlier, turn the screw counter-clockwise. To adjust the shut-off position for later, turn the screw clockwise.

CONNECTION DIAGRAM

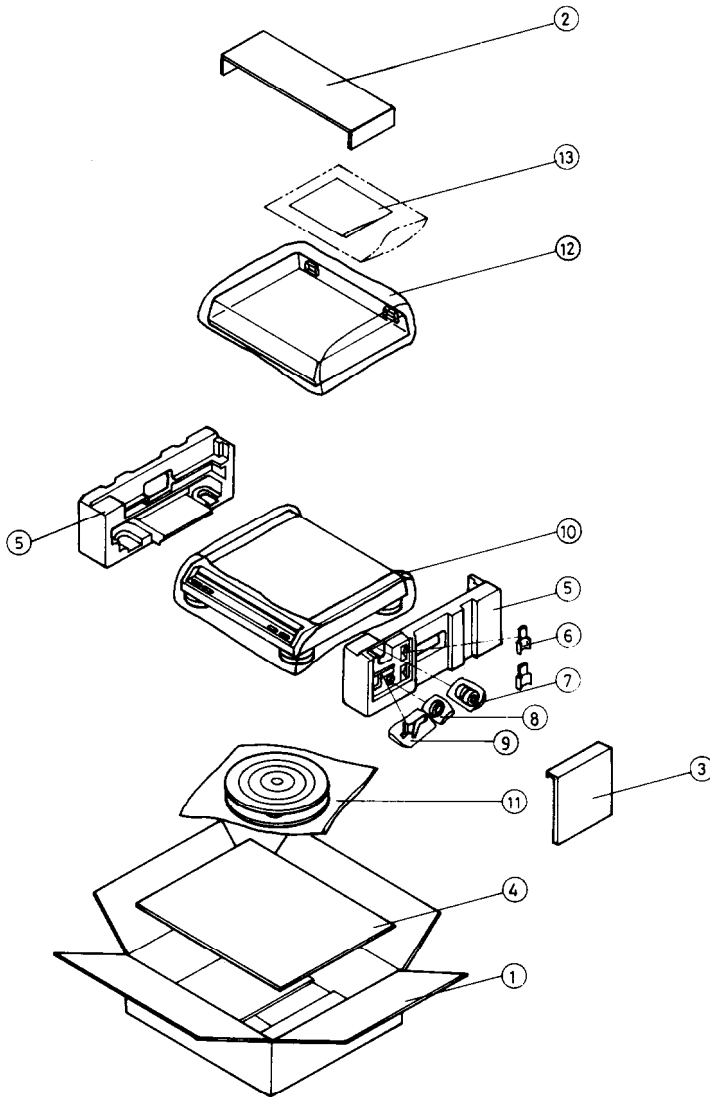


| POWER | PT101 |
|-----------------------------------|--------------------|
| AC120V 50/60Hz | NPT948D 033513 |
| AC230V 60Hz | NPT948P 033660 |
| AC240V 60Hz | NPT948Q 033541 |
| AC110/120 /220/240V 50/60Hz | NPT948BP 033542 |

NOTES

- ALL RESISTORS ARE IN OHMS 1/4WATT UNLESS OTHERWISE NOTED.
- ALL CAPASITORS ARE IN μF 50V UNLESS OTHERWISE NOTED.
- ELECTORLYTIC CAPASITORS (= μF) ARE IN μF/WV.
- VOLTAGE (MEASURED WITH V.T.V.M) (NO INPUT SIGNAL).
- CIRCUIT IS SUBJECT TO CHANGE FOR IMPROVEMENT.

PACKING VIEW



| REF. NO. | PART NO. | DESCRIPTION |
|----------|------------|---|
| 1 | 29052397 | Master carton box (Black model) |
| | 29052398 | Master carton box (Silver model) |
| 2 | 24509374 | Pad sheet (UP) |
| 3 | 24509372 | Pad sheet |
| 4 | 24509370 | Pad sheet (Bottom) |
| 5 | 29090822 | Pad(L)+Pad(R) |
| 6 | 28180080 | Hinge |
| 7 | 24501471 | Main weight |
| 8 | 292049A | 45 rpm adapter |
| 9 | 24501330 | Cartridge attachment parts ass'y |
| | 24501354 | Headshell |
| | 29100002 | 70×120mm, Poly-vinyl bag for 7, 8 and 9 |
| 10 | 29095012-1 | 500×800, Protection sheet |
| 11 | 24509323 | T.T Mat (D) |
| | 24509378 | T.T Mat (G/U) |
| | 24502158 | Turntable platter |
| | 29100046 | 370×470, Poly bag |
| 12 | 24509320 | Dust cover |
| | 29100050 | Protection sheet |
| 13 | | Accessory bag complete |

120V model

| | |
|-----------|---------------------------------------|
| 29341723A | Instruction manual |
| 24509197 | Overhang gauge |
| 29365019A | Warranty card (Only USA model) |
| 29358002J | Service station list (Only USA model) |
| 29100006A | 250×350 Poly bag |

230V model

| | |
|-----------|---|
| 29341724A | Instruction manual |
| 29365020E | Warranty card (Only West Germany model) |
| 29100094 | Poly bag |
| 2910006A | 250×350 Poly bag |

Universal model

| | |
|-----------|------------------------|
| 29341724A | Instruction manual |
| 25055040 | CVK-2, Conversion plug |
| 29100006A | 250×350 Poly bag |

ONKYO CORPORATION

International Division: Onarimon Yusen Bldg., 23-5, Nishi-Shimbashi 3-chome, Minato-ku, TOKYO 105, JAPAN Tel: 03-3432-6987 Fax: 03-3436-6979

ONKYO U.S.A CORPORATION

200 Williams Drive, Ramsey, N.J. 07446, U.S.A.
Tel: 201-825-7950 Fax: 201-825-8150

ONKYO Europe GmbH

Hellersbergstrasse 4, W-4040 Neuss GERMANY
Tel: 02101 12 00 75 Fax: 02101 10 33 06 TLX: 85 17 916 ONDU D

ONKYO DEUTSCHLAND GMBH ELECTRONICS

Industriestrasse 20, W-8034 Germering, GERMANY
Tel: 089 84 93 20 Fax: 089 84 93 226 TLX: 05-21726 ONKY D

ONKYO FRANCE S.A.R.L.

Immeuble Le DIAMANT, Domaine Technologique De Saclay, 4 rue Rene Razel, 91892 SACLAY, FRANCE Tel: (1)69 41 35 10 Fax: (1)69 41 35 84