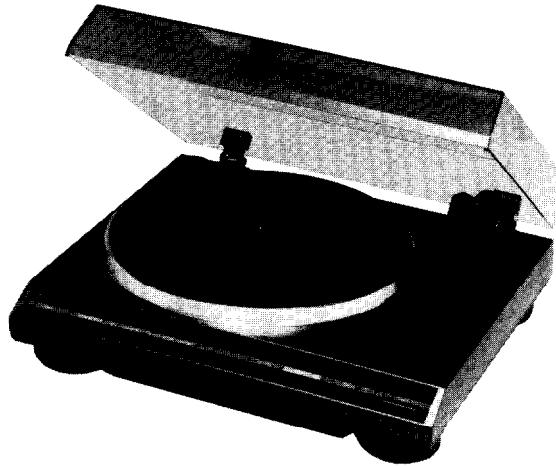


ONKYO SERVICE MANUAL

AUTOMATIC RETURN TURNTABLE MODEL CP-1036A

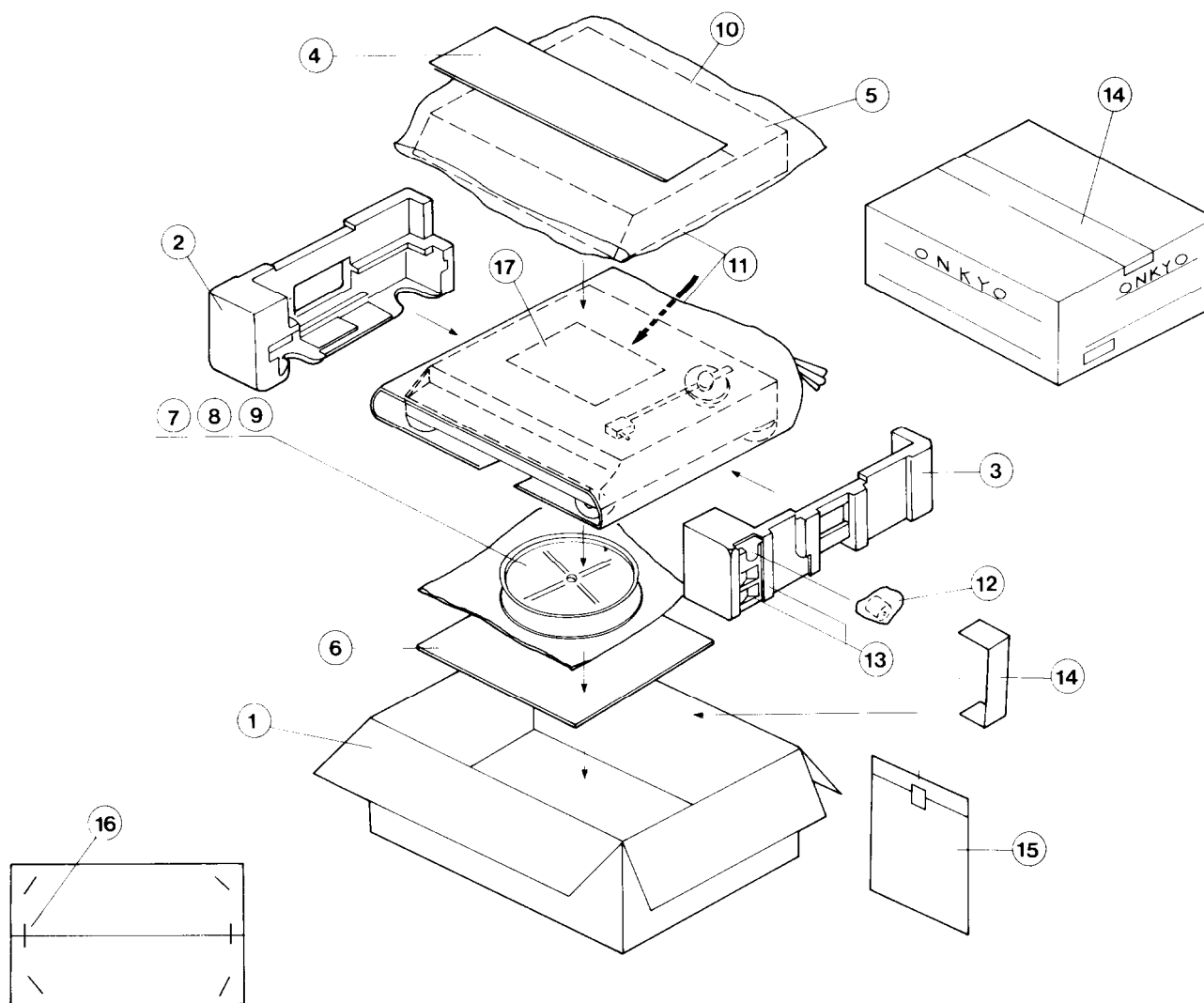


Note.

For model CP-1036A, read CP-1033A as CP-1036A. But the following parts are not the same on models CP-1036A and CP-1033A

PAGE	REF NO.	PART NO.	DESCRIPTION
5	8	24509328	T.T sheet
6	16	24509320	Dust cover
6	43	24509327	Insulator (J)
6	45	24509325	Insulator (H)
6	46	24509326	Insulator (I)
5	15	29340767	Instruction manual
6	51	27262265	Plate (M)
		27262266	Plate (M) (Black model)
6	54	28191245	Clear plate
5	1	29050936	Master carton box
		29050937	Master carton box (Black Model)
5	2	29090916A	Pad (L)
		29090917A	PAD (R)

ONKYO
AUDIO COMPONENTS



REF. NO.	PART NO.	DESCRIPTION
1	29050937	Master carton box (Black Model)
	29050936	Master carton box (Silver Model)
2	29090916A	Pad (L)
3	29090917A	Pad (R)
4	29090918A	Sheet
5	29095366	Sheet
6	29095286	Sheet
7	24502159	Turntable platter
8	24509328	T. T. Sheet
9	29100046	370 x 470, Poly-vinyl bag
10	24509320	Dust cover
11		Sheet
12	24501462	Counter weight
13	28180080	Hinge (Black Model)
14		P. P. tape
15		Accessory bag complete
	29340767	Instruction manual
	292049A	45 rpm adaptor
	24509197	Overhang gauge
	29358004	Service station list
	29365006-6	Warranty card
	29100005	220 x 330, Poly-vinyl bag
16	282301	Sealing hook
17	29355101	Caution sheet